



## Assembly instructions

Activity toys to be assembled by adults for outdoor domestic use.

## Montageanleitung

Aktivitätsspielzeug zum Selbstaufbau für den häuslichen Außenbereich.

## Instructions de montage

Jouet d'activité à assembler pour une utilisation familial en extérieur

# 2

PART

Article Number : 211179  
 Product Name : **Jungle Swing 250 cm**  
 Audit ID : 801\_602



# Jungle Gym

BACKYARD PLAYGROUNDS

since 1988

<p><b>Assembly time</b></p> <p>2 hours by 2 adults</p>	<p><b>EN.</b> Warning! Only for domestic use. Maximum number of users is 2. <b>DE.</b> Achtung! Nur für den Hausgebrauch. Maximale Benutzerzahl: 2. <b>FR.</b> Attention! Réserve à un usage familial. Le nombre maximal d'utilisateurs est de 2. <b>BG.</b> Внимание! За употреба само в домашни условия. Максималният брой потребители е 2. <b>CS.</b> Upozornění! Jen pro domácí použití. Maximální počet uživatelů je 2. <b>DA.</b> Advarsler! Kun til privat brug. Maksimum antal brugere er 2. <b>EL.</b> Προειδοποίηση! Μόνο για οικιακή χρήση. Μέγιστος αριθμός χρηστών 2. <b>ES.</b> Advertencia! Sólo para uso doméstico. Número máximo de usuarios: 2. <b>ET.</b> Hoiatus! Ainult koduseks kasutamiseks. Maksimaalne kasutajate arv on 2. <b>FI.</b> Varoitus! Ainoastaan kotikäyttöön. Käyttäjää yhteensä enintään 2. <b>HR.</b> Upozorenje! Samo za uporabu u domu. Maksimalan broj korisnika je 2. <b>HU.</b> Figyelmeztetés! Csak otthoni használatra! A használók max. száma: 2. <b>IS.</b> Viðvörðun! Eingöngu fyrir einkanoðkun í heimahúsum og á einkalóðum. Hámarksfjöldi notenda er 2. <b>IT.</b> Attenzione! Solo per uso domestico. Massimo numero di utenti è 2. <b>LT.</b> Dėmesio! Tik buitiniam naudojimui. Maksimalus naudotojų skaičius 2. <b>LV.</b> Brīdinājums! Izmantot tikai mājās. Maksimālais lietotāju skaits ir 2. <b>NL.</b> Waarschuwing! Uitsluitend voor huishoudelijk gebruik. Het maximale aantal gebruikers is 2. <b>NO.</b> Advarsler! Kun for privat bruk. Maksimalt antall brukere er 2. <b>PL.</b> Uwaga! Wyłącznie do użytku domowego. Maksymalna liczba użytkowników to 2. <b>PT.</b> Aviso! Apenas para uso doméstico. O número máximo de utilizadores é 2. <b>RO.</b> Avertisment! Numai pentru uz domestic. Numărul maxim de utilizatori este 2. <b>SK.</b> Upozornenie! Iba na domáce použitie. Maximálne množstvo osôb je 2. <b>SL.</b> Opozorilo! Samo za domačo uporabo. Maksimalno število uporabnikov je 2. <b>SV.</b> Varning! Endast för hemmabruk. Det maximala antalet användare är 2.</p>	<p><b>UK</b> <b>CA</b> <b>CE</b></p>

Product Name : Jungle Swing 250cm © 2026 Jungle Gym B.V. Copyrighted material. All rights reserved. Single-owner licensed. No part of this document may be reproduced or utilized otherwise in any form or by any means, electronic or mechanical, including photocopying, or posting on the internet or an intranet, copying and networking prohibited



## Safety symbols Sicherheitssymbole Symboles de sécurité



**Important:** Before assembling and using this product, please carefully read the provided Use- and maintenance instructions (Part 1) and assembly instructions (Part 2) thoroughly.

**Wichtig:** Lesen Sie vor der Montage und Benutzung dieses Produkts die beiliegende Gebrauchs- und Wartungsanweisungen (Teil 1) und die Montageanleitung (Teil 2) sorgfältig durch.

**Important:** Avant de monter et d'utiliser ce produit, veuillez lire attentivement. Conseils d'utilisation et d'entretien (Partie 1) et les instructions de montage (Partie 2).



Mandatory provisions  
Gebotsbestimmungen  
Dispositions obligatoires



1-5 Warnings!  
Achtung!  
Attention!



1-12 Potential hazards  
Potenzielle Gefahren  
Dangers potentiels



1-7 Installation and safety notices  
Installations- und Sicherheitshinweise  
Instructions d'installation et de sécurité



1-14 Assembly and safety notices  
Montage- und Sicherheitshinweise  
Instructions de montage et de sécurité




1-7 Safe play instructions and safety notices  
Sichere Spielanweisungen und Sicherheitswarnungen  
Consignes de jeu sécurisé et avis de sécurité




## Customer service Kundendienst Service client



-  [Frequently Asked Questions](#)
-  [Häufig gestellte Fragen](#)
-  [Foire aux questions](#)
-  [Veelgestelde Vragen](#)



 EU +31 85 44 44 102 \*  
[info@junglegym.com](mailto:info@junglegym.com)  
[www.junglegym.com](http://www.junglegym.com)  
[instagram.com/junglegymofficial](https://www.instagram.com/junglegymofficial)

### Availability:

Monday – Thursday:

CET 09:00 AM – 04:00 PM

Friday:

CET 09:00 AM – 01:00 PM

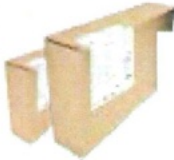


# Preparation Vorbereitung Préparation



00\_Direction

## Complete composition and delivery overview Vollständige Zusammensetzung und Lieferübersicht Aperçu complet de la composition et de la livraison



OR



To avoid danger of suffocation, please keep the bag away from children.  
Um Erstickungsgefahr zu vermeiden, halten Sie die Tüte bitte von Kindern fern.  
Pour éviter tout risque d'étouffement, gardez le sac hors de portée des enfants.

Choking hazard – may not be suitable for children under 3 years.  
Erstickungsgefahr – möglicherweise nicht geeignet für Kinder unter 3 Jahren.  
Risque d'étouffement – peut ne pas convenir aux enfants de moins de 3 ans.



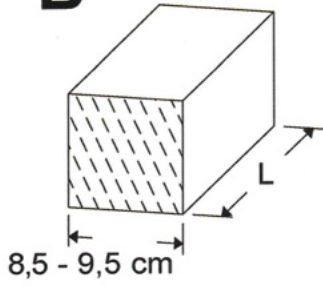
#	Print ID	Description	FFC ID
1	401_600	Jungle Swing 250	701_602

Manual ID: 040\_007\_2716

Timber parts list  
 Stückliste Holzteile  
 Liste des pièces en bois

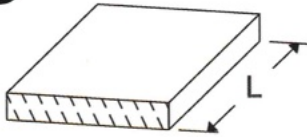
601\_602

**B**



ID	L	#
B270	269 cm - 270 cm	5

**D**



D145	144 cm - 145 cm	2
------	-----------------	---

**Slide registration**  
**Rutschenregistrierung**  
**Enregistrement du toboggan**

Article №: + Color ID: + LOT: ID:



- = 100
- = 200
- = 300
- = 400
- = 500
- = 600

**Example**

	No:	Color ID:	LOT ID:
	2 3 2 4	2 0 0	2 2 0 2 2 3
1.			
2.			
3.			
4.			

**Hardware kit, pack and/or accessory registration**  
**Registrierung von Hardware-Kits, Paketen und/oder Zubehör**  
**Enregistrement du kit matériel, du pack et/ou des accessoires**

Article №: + LOT ID:



OR

LOT ID:



**Example**

	No:	LOT:
	1 2 3 4 5 6	2 7 1 1
1.		
2.		
3.		
4.		

**Example**

LOT:

AP Manual & Accessory set

**AC**

№ 194\_119

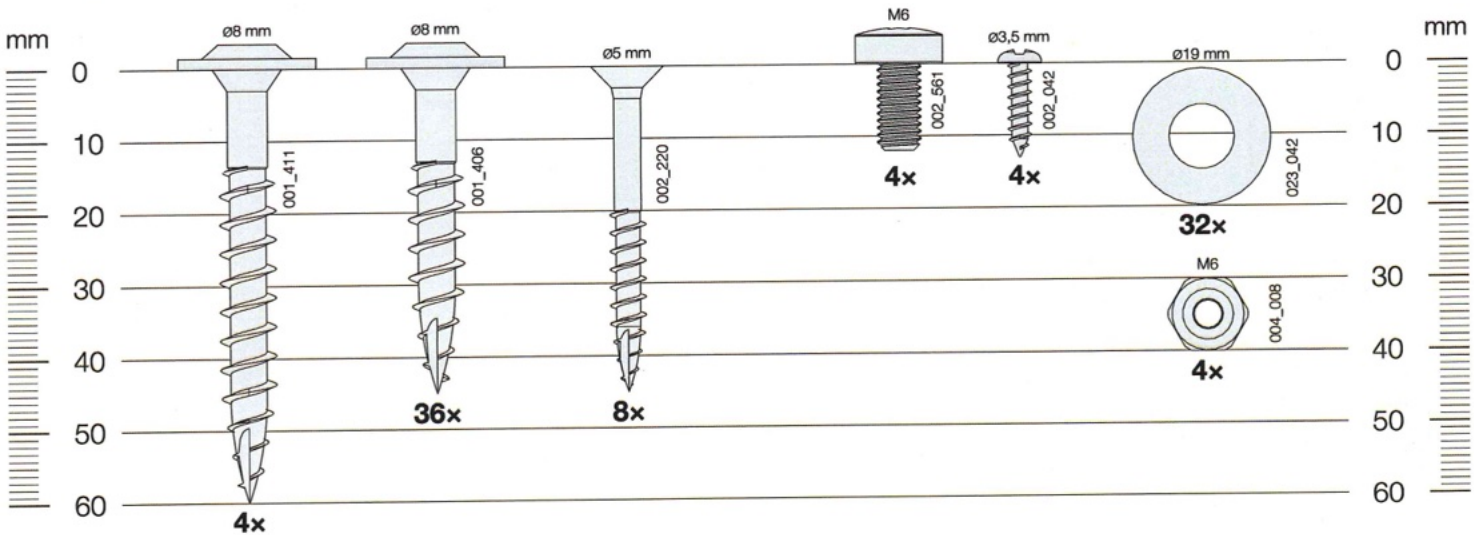
LOT: 2 7 1 1

**1x**

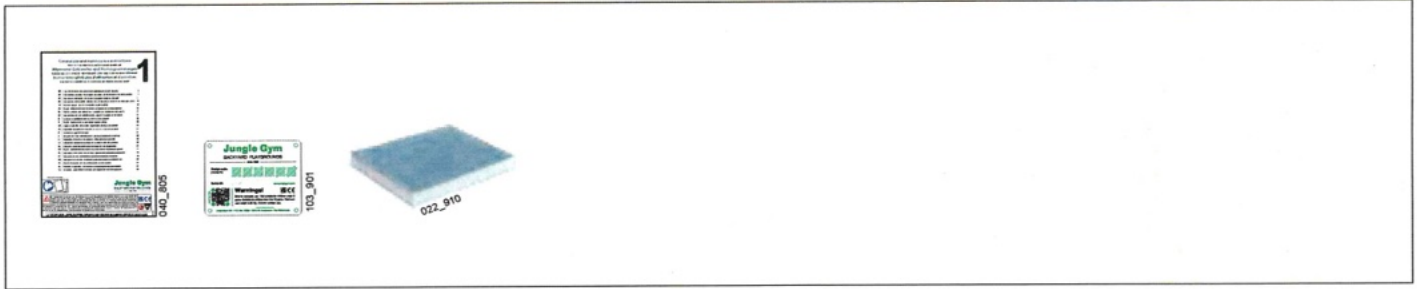
**Hardware package and accessory registration**  
**Hardwarebeutel- und Zubehörregistrierung**  
**Enregistrement du sachet de quincaillerie et des accessoires**

 <p><b>1x</b> 122_134</p>	 <p><b>1x</b> 122_112</p>	 <p><b>1x</b> 051_610</p>	 <p><b>4x</b> 120_005</p>	 <p><b>1x</b> 104_210</p>
	 <p><b>2x</b> 005_051</p>	 <p><b>4x</b> 007_001</p>	 <p><b>4x</b> 101_003</p>	 <p><b>1x</b> 104_403</p>
		 <p><b>2x</b> 005_071</p>	 <p><b>1x</b> 100_065</p>	 <p><b>1x</b> 025_806</p>

**Hardware overview - Hardwareübersicht- Vue d'ensemble du matériel**  
100\_065



**Standard Scope of Delivery**  
**Standard-Lieferumfang**  
**Contenu Standard de la Livraison**



**Fastening hardware & component references**  
**Befestigungsmaterial und Komponentenreferenzen**  
**Références de fixation et de composants**

		#	L
			001_404 30 mm
			001_406 45 mm
			001_411 60 mm
			001_417 80 mm
			001_422 137 mm
			001_102 30 mm
			000_101 20 mm
			002_036 16 mm
			002_041 20 mm
			002_042 13 mm
			002_301 40 mm

		#	L			
			002_308 20 mm			
			002_219 30 mm			
			002_220 45 mm			
			002_223 80 mm			
			004_050 22mm			
<td rowspan="1"> </td> <td rowspan="1"> <td rowspan="1"> </td> <td rowspan="1"> <td rowspan="1">003_010</td> </td></td>		<td rowspan="1"> </td> <td rowspan="1"> <td rowspan="1">003_010</td> </td>		<td rowspan="1">003_010</td>	003_010	
<td rowspan="1"> </td> <td rowspan="1"> <td rowspan="1"> </td> <td rowspan="1"> <td rowspan="1">003_034</td> </td></td>		<td rowspan="1"> </td> <td rowspan="1"> <td rowspan="1">003_034</td> </td>		<td rowspan="1">003_034</td>	003_034	
<td rowspan="4"> </td> <td rowspan="4"> <td rowspan="4"> </td> <td rowspan="4"> <td rowspan="4">002_845 Yellow</td> </td></td>		<td rowspan="4"> </td> <td rowspan="4"> <td rowspan="4">002_845 Yellow</td> </td>		<td rowspan="4">002_845 Yellow</td>	002_845 Yellow	
						002_846 Blue
						002_847 Green
						002_848 Red
<td rowspan="1"> </td> <td rowspan="1"> <td rowspan="1"> </td> <td rowspan="1"> <td rowspan="1">003_031 White</td> </td></td>		<td rowspan="1"> </td> <td rowspan="1"> <td rowspan="1">003_031 White</td> </td>		<td rowspan="1">003_031 White</td>	003_031 White	
<td rowspan="2"> </td> <td rowspan="2"> <td rowspan="2"> </td> <td rowspan="2"> <td rowspan="2">120_005 White</td> </td></td>		<td rowspan="2"> </td> <td rowspan="2"> <td rowspan="2">120_005 White</td> </td>		<td rowspan="2">120_005 White</td>	120_005 White	
						022_844
022_314						



# Registration & warnings

## Registrierung & Warnhinweise

### Enregistrement & avertissements

#### Climbing frame identification

#### Klettergerüst-Identifizierung

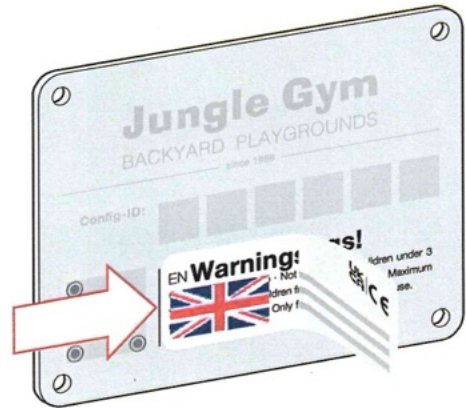
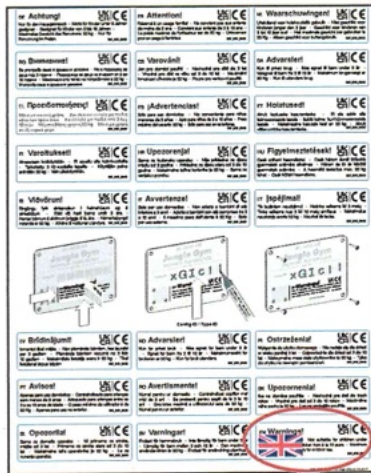
#### Identification de l'aire de jeux



#### Use warnings

#### Gebrauchswarnungen

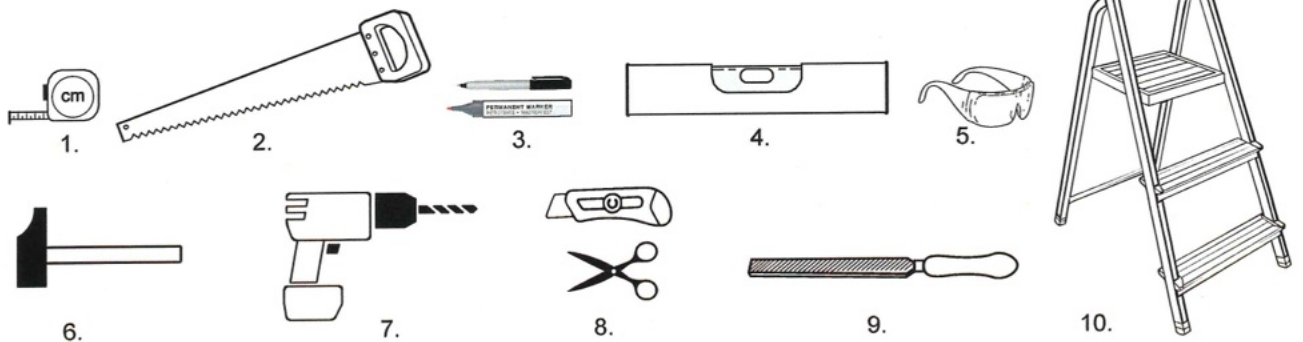
#### Avertissements d'usage



# Required tools

## Benötigtes Werkzeug

### Outils nécessaires





# Installation and safety notices

## Installations- und Sicherheitshinweise

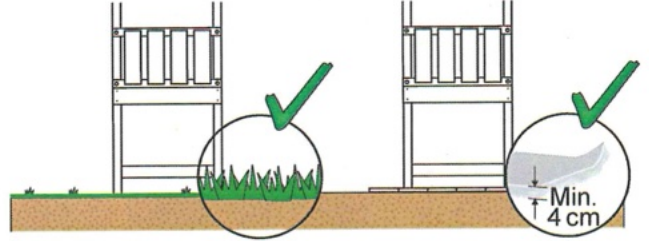
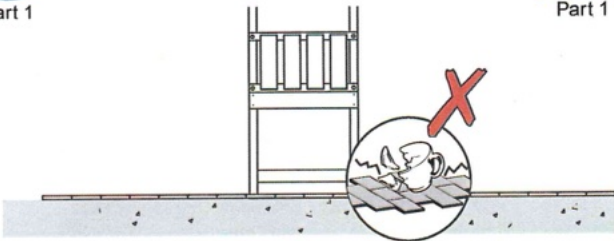
### Instructions d'installation et de sécurité



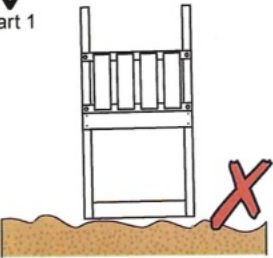
Part 1



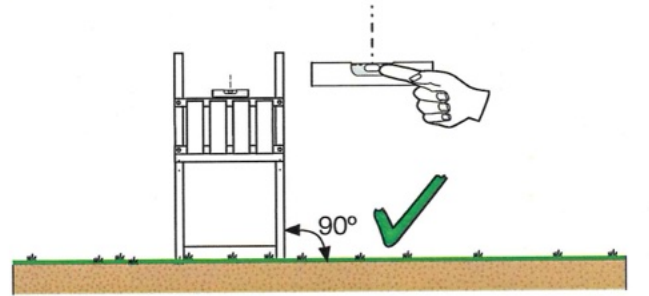
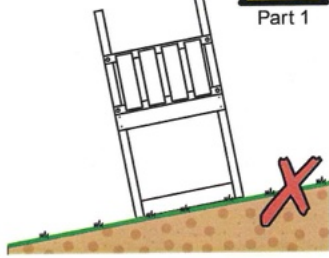
Part 1



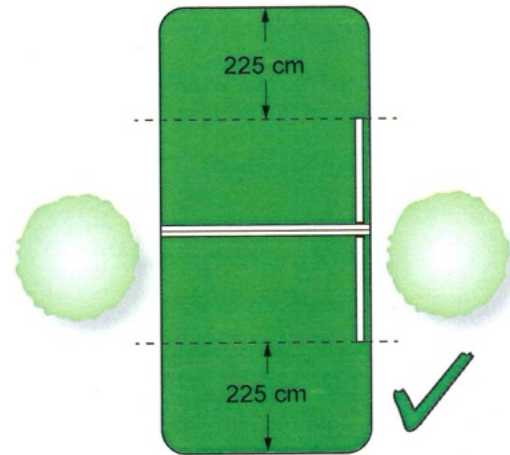
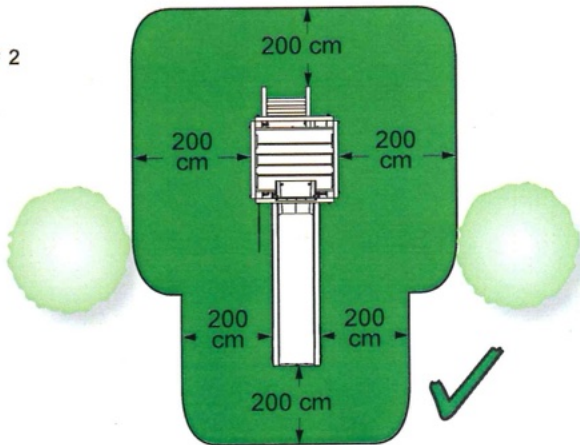
Part 1



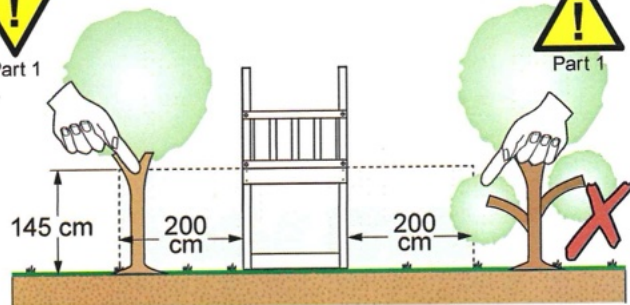
Part 1



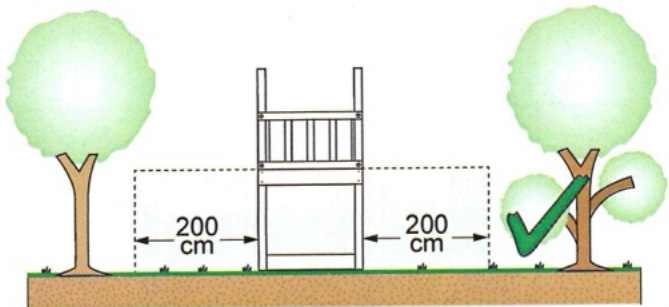
Part 1

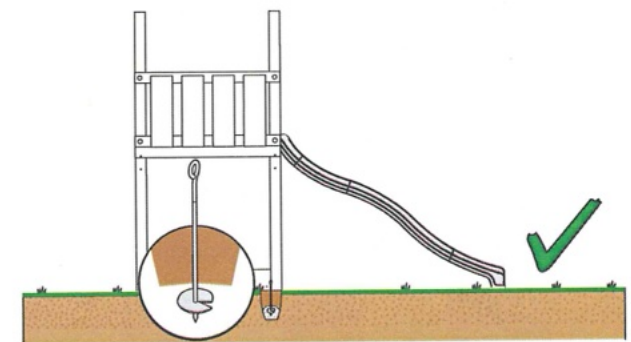
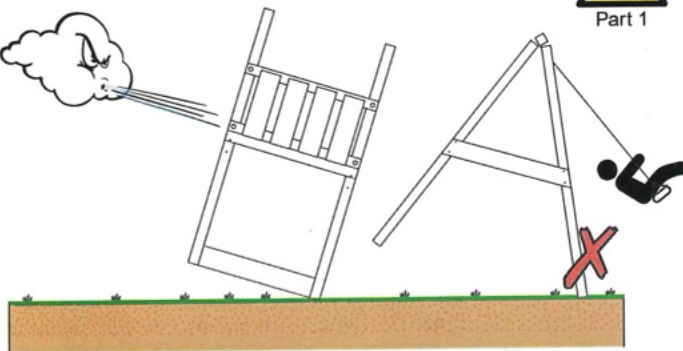
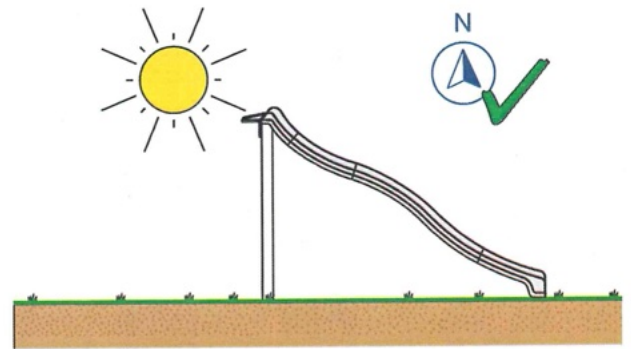
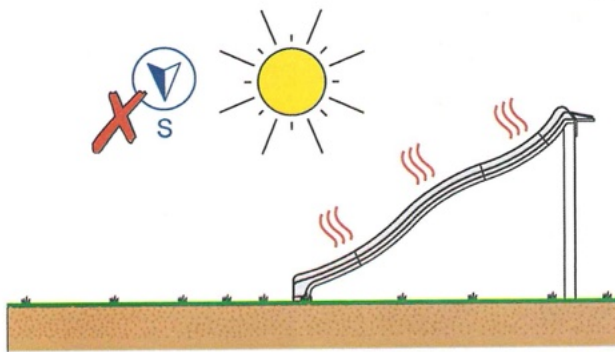
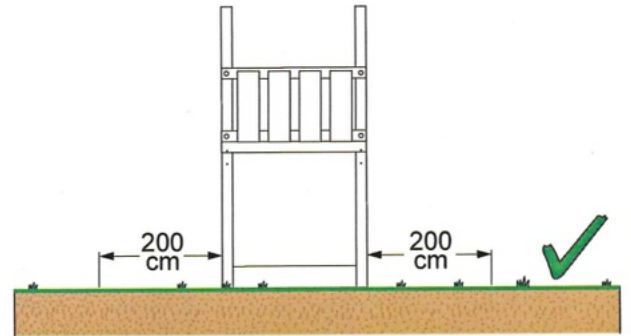
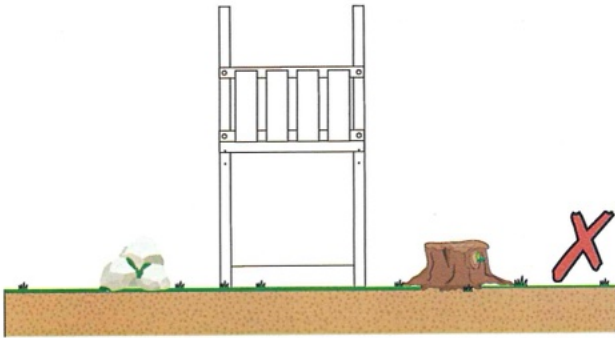


Part 1



Part 1





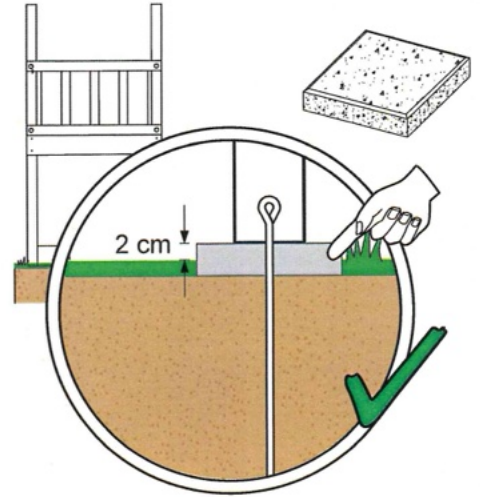
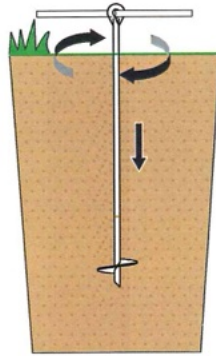
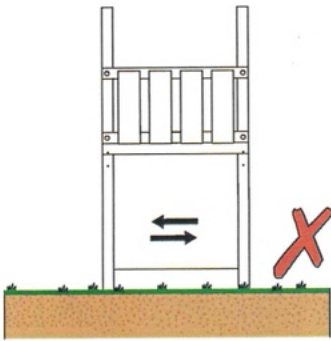
Manual ID: 040\_007\_2716



Part 1



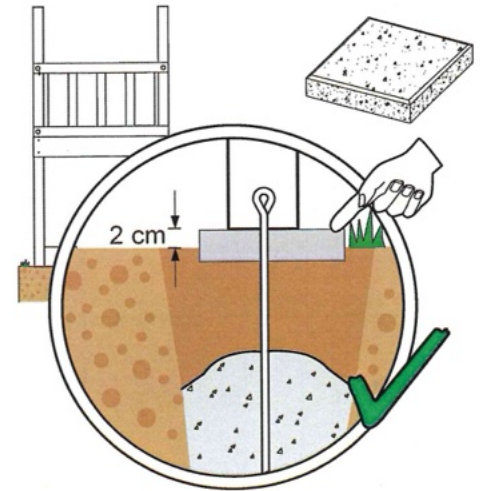
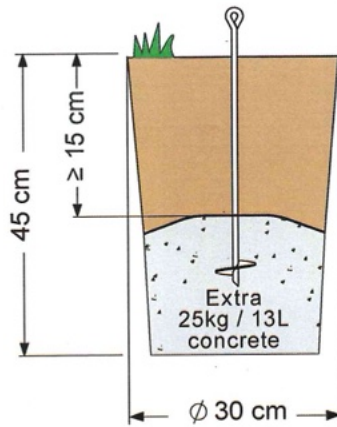
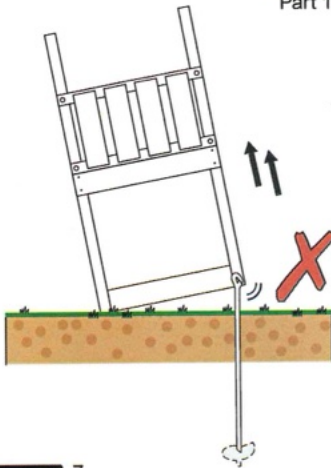
Part 1



Part 1



Part 1

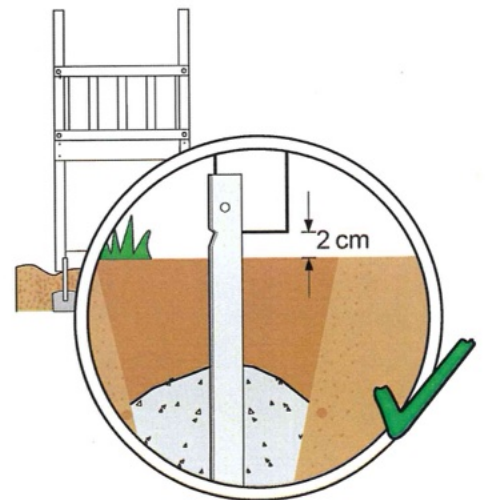
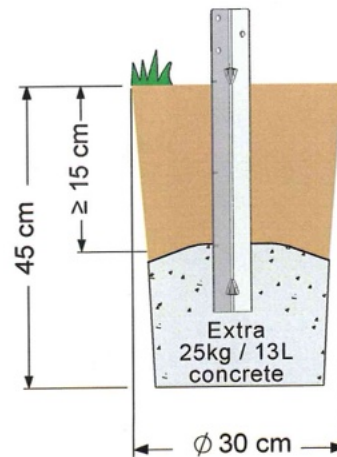
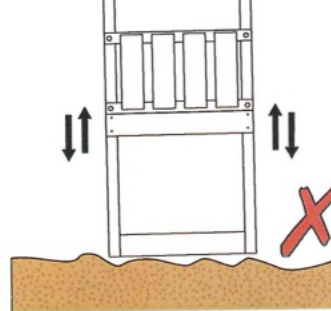


Part 1

### Optional: Post anchors



Part 1

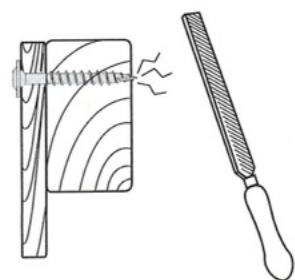
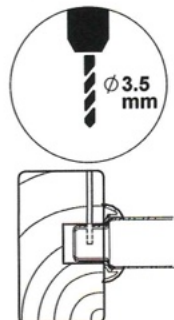
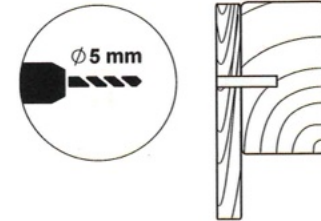
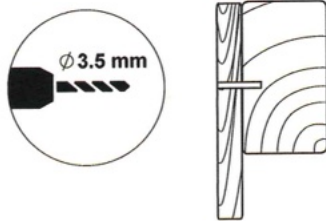
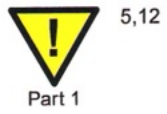
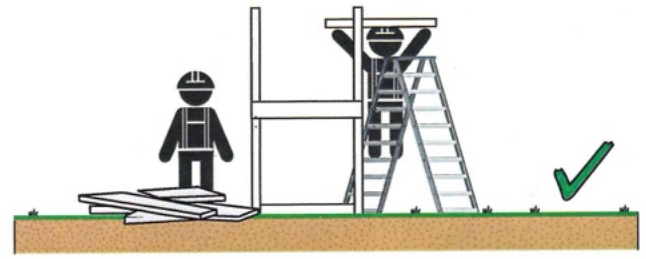
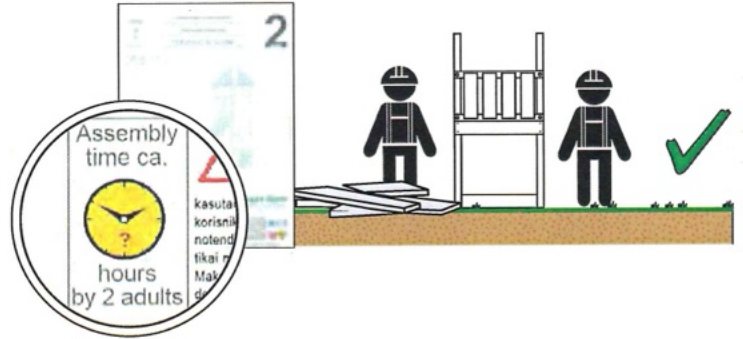


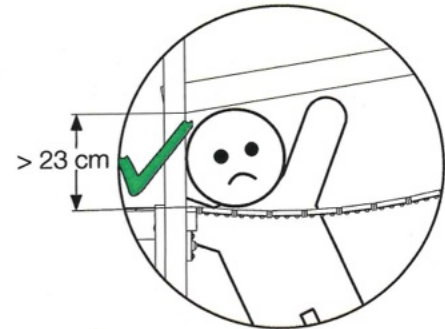
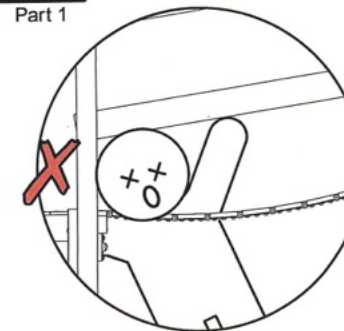
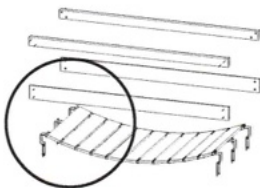
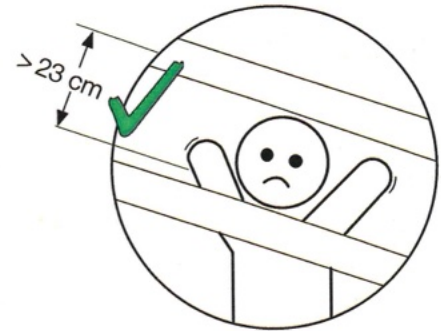
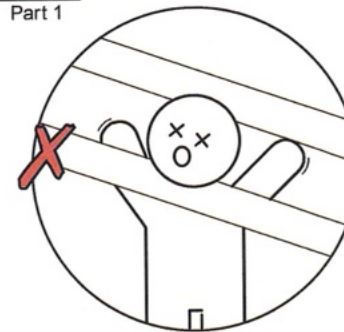
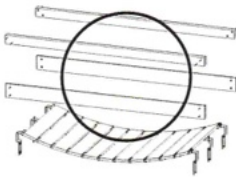
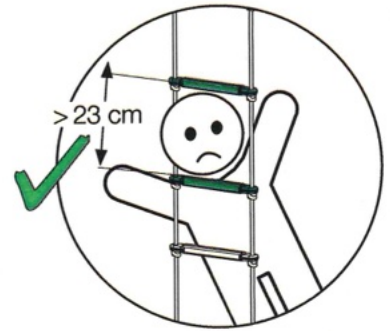
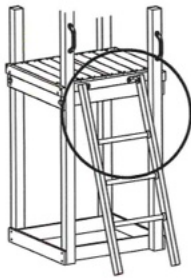


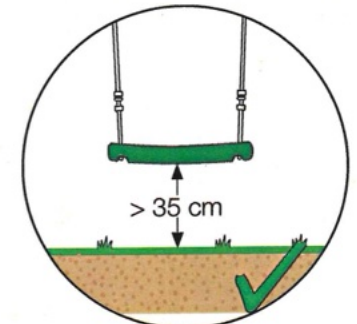
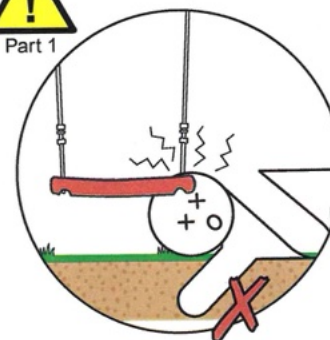
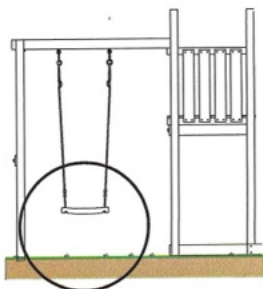
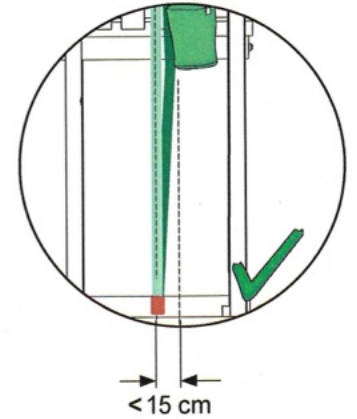
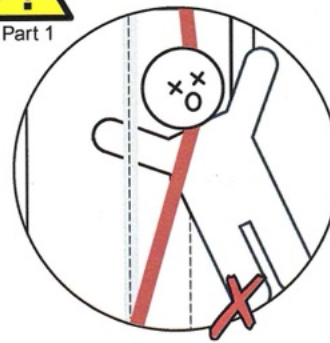
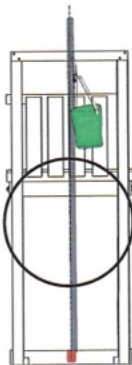
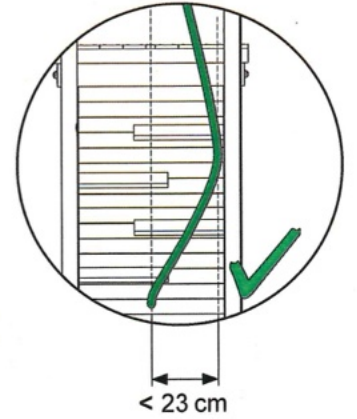
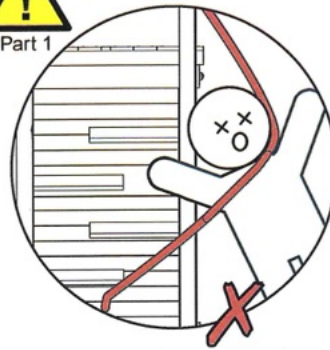
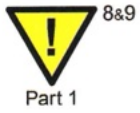
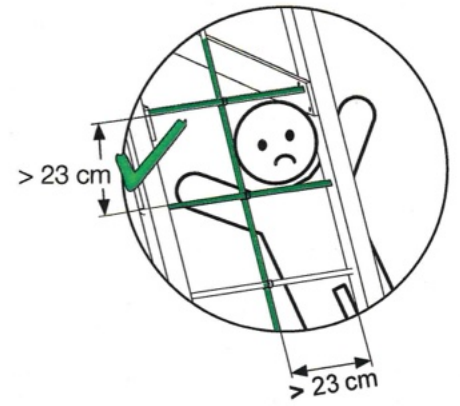
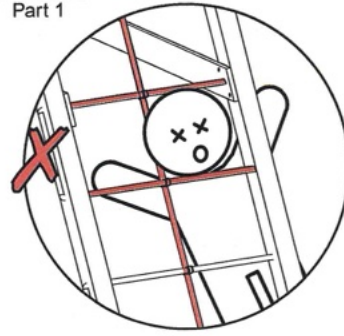
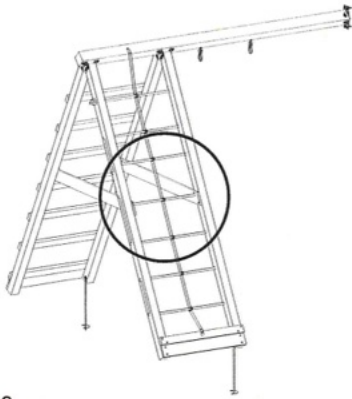
# Assembly and safety notices

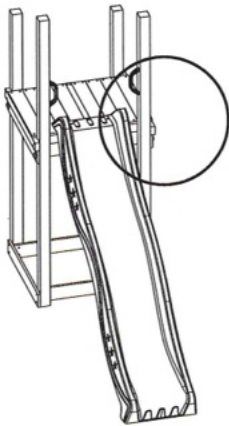
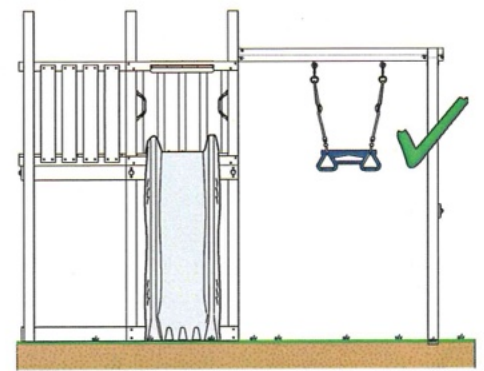
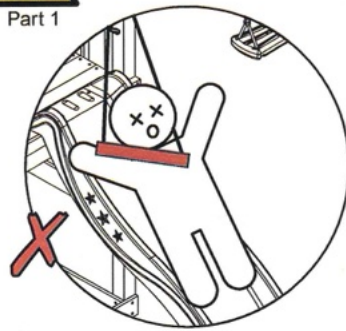
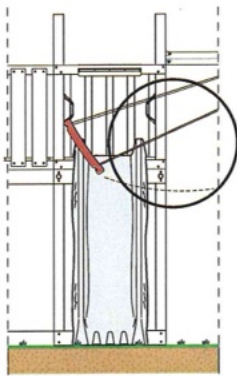
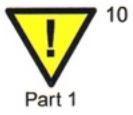
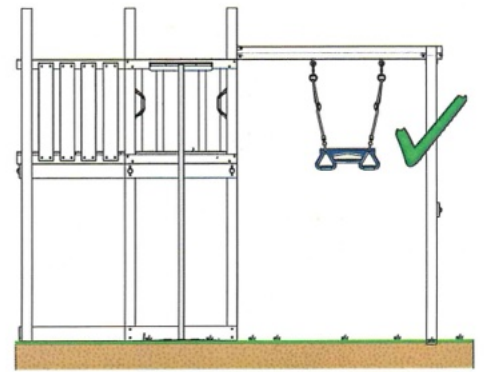
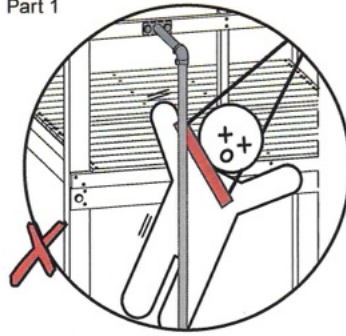
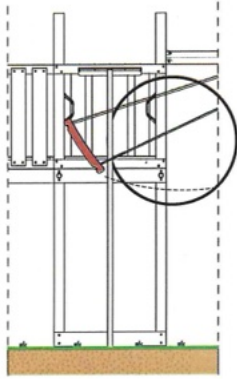
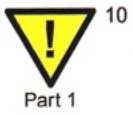
## Montage- und Sicherheitshinweise

### Instructions de montage et de sécurité

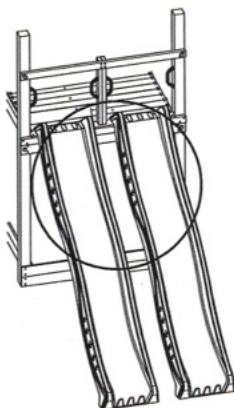
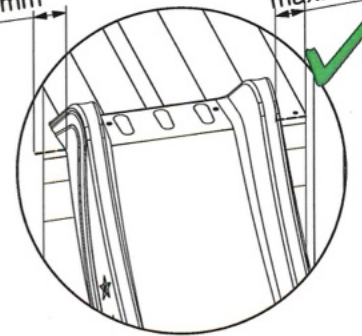






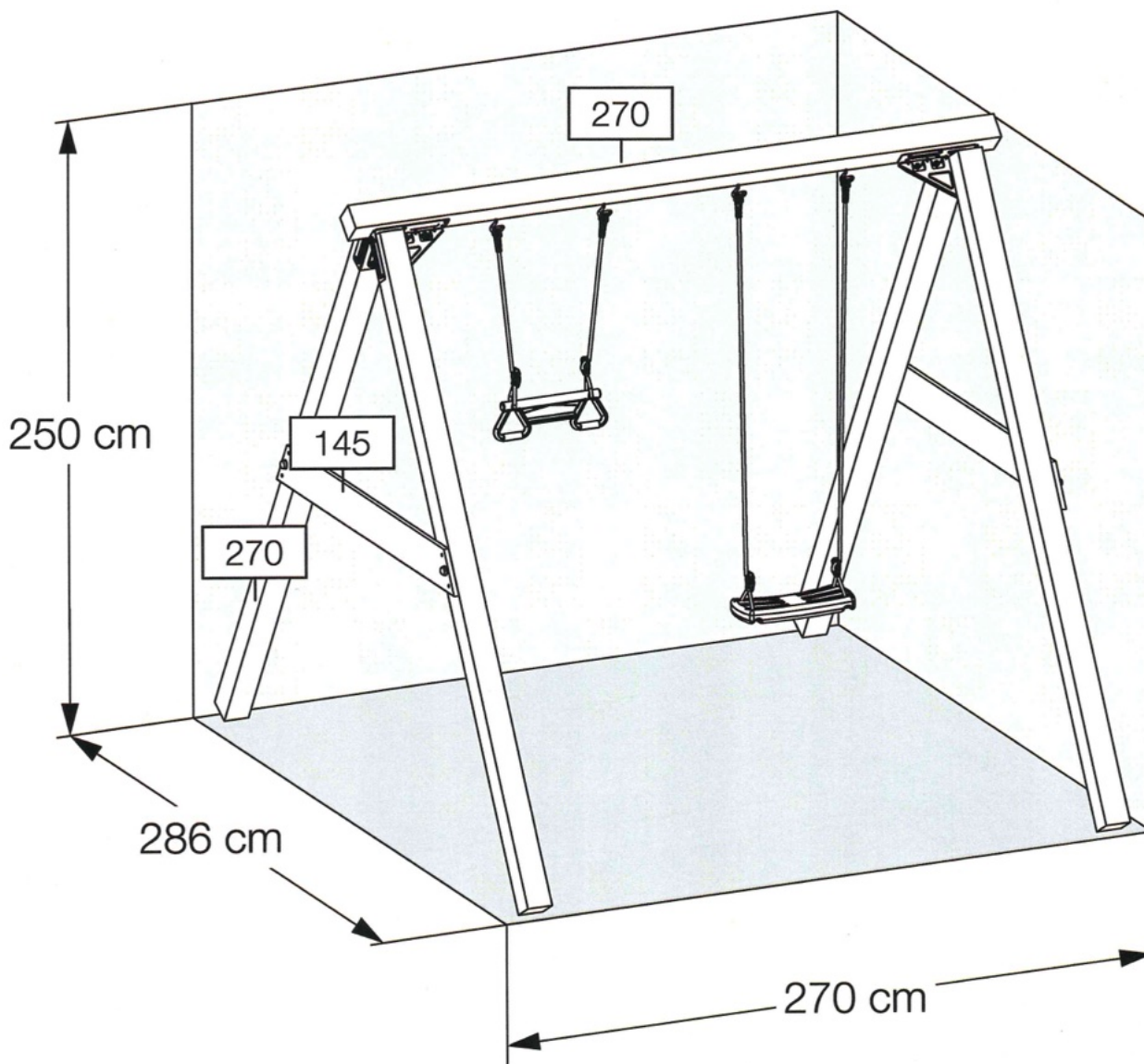


min. 26 mm  
max. 75 mm





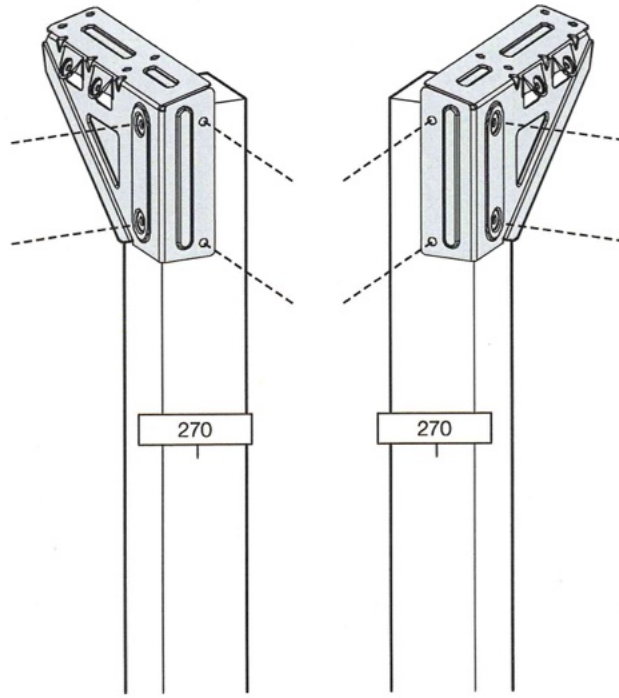
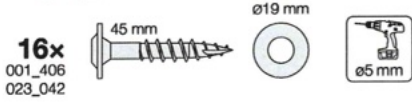
Dimensions  
Abmessungen  
Dimensions



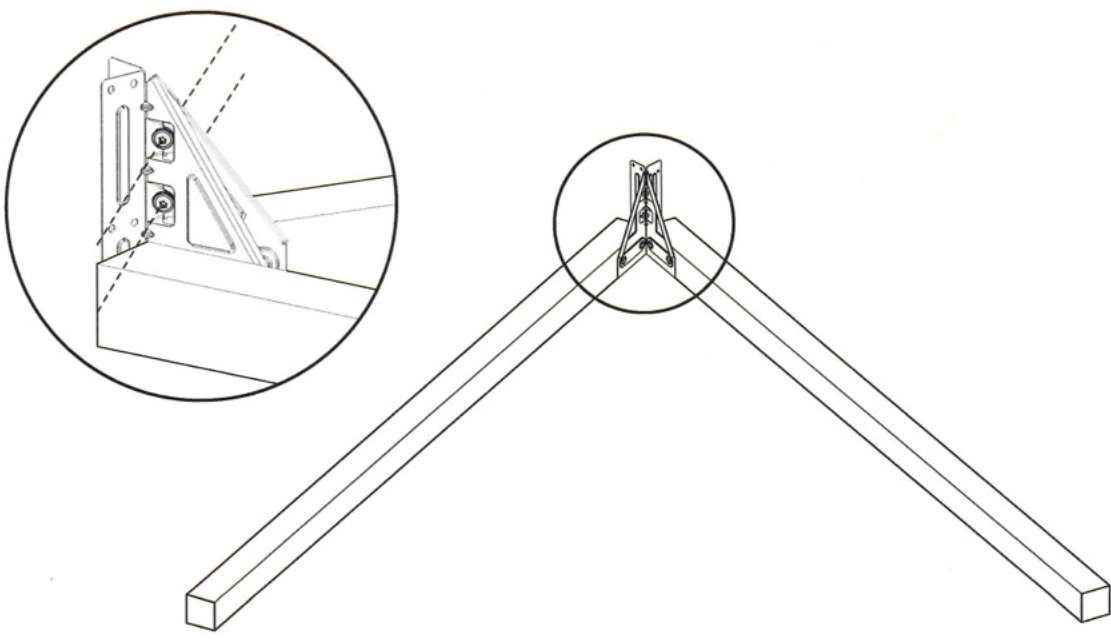


Assembly sequence  
Montagereihenfolge  
Séquence d'assemblage

### 3a

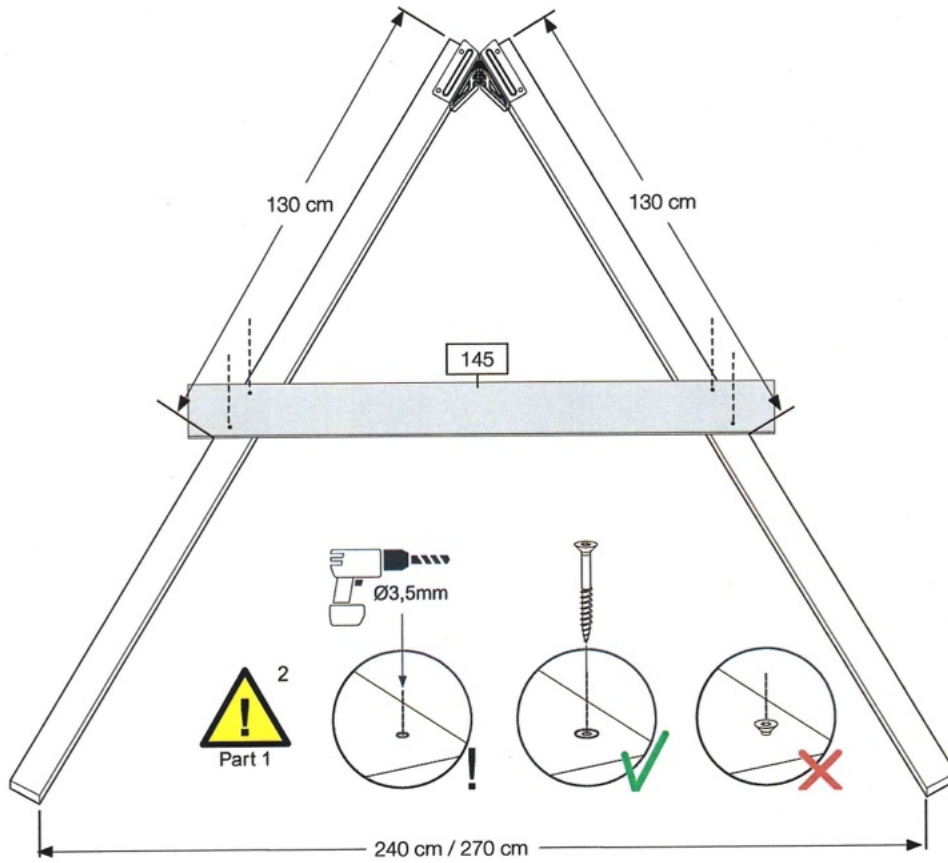


### 3b



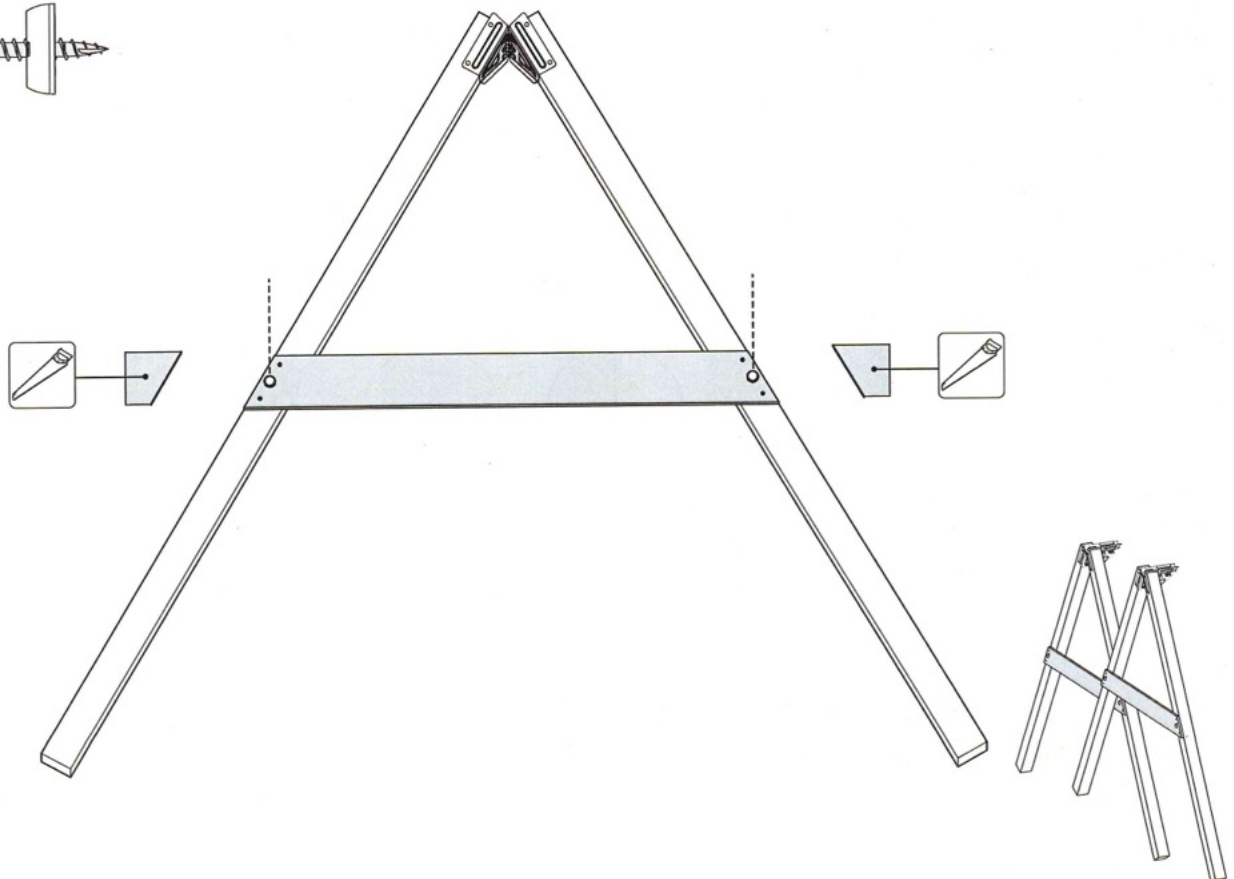
# 4a

8x 45 mm  
002\_220



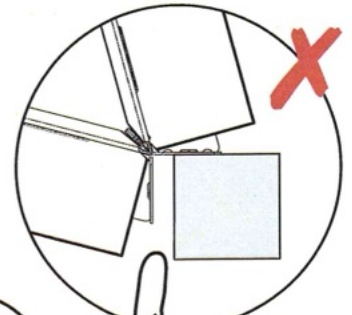
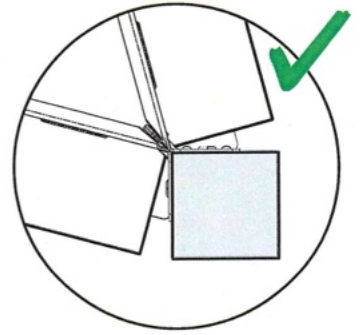
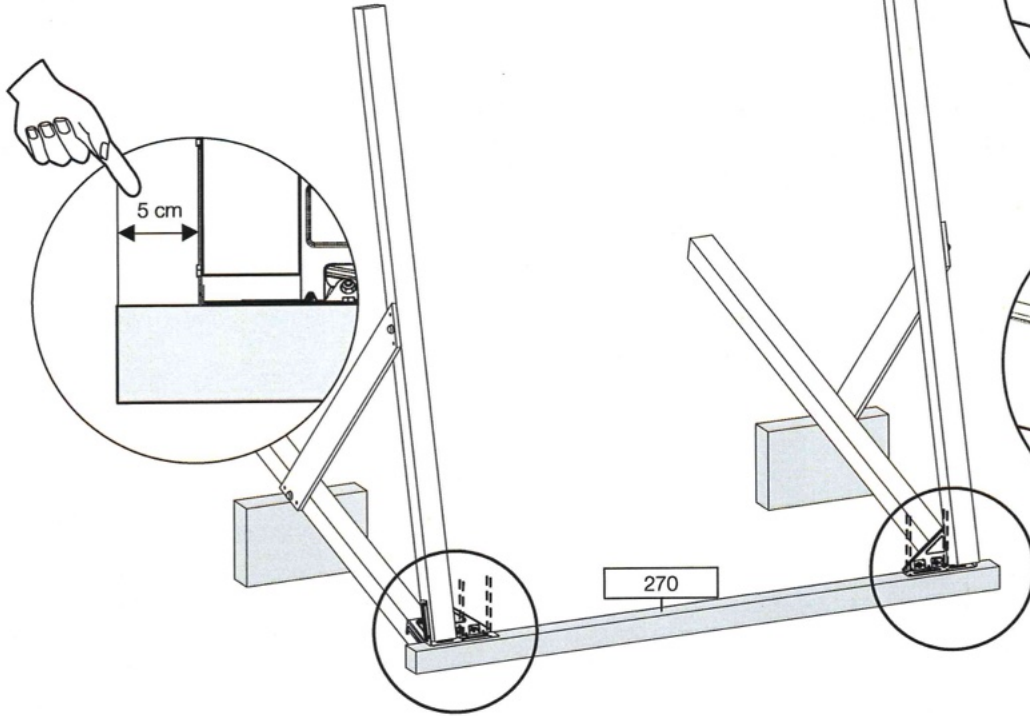
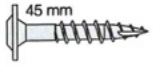
# 4b

4x 60 mm  
001\_411  
120\_005



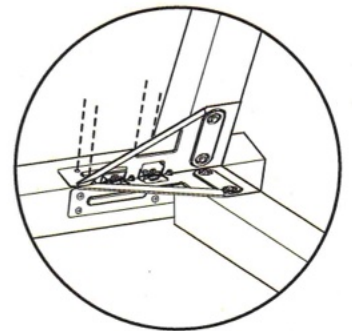
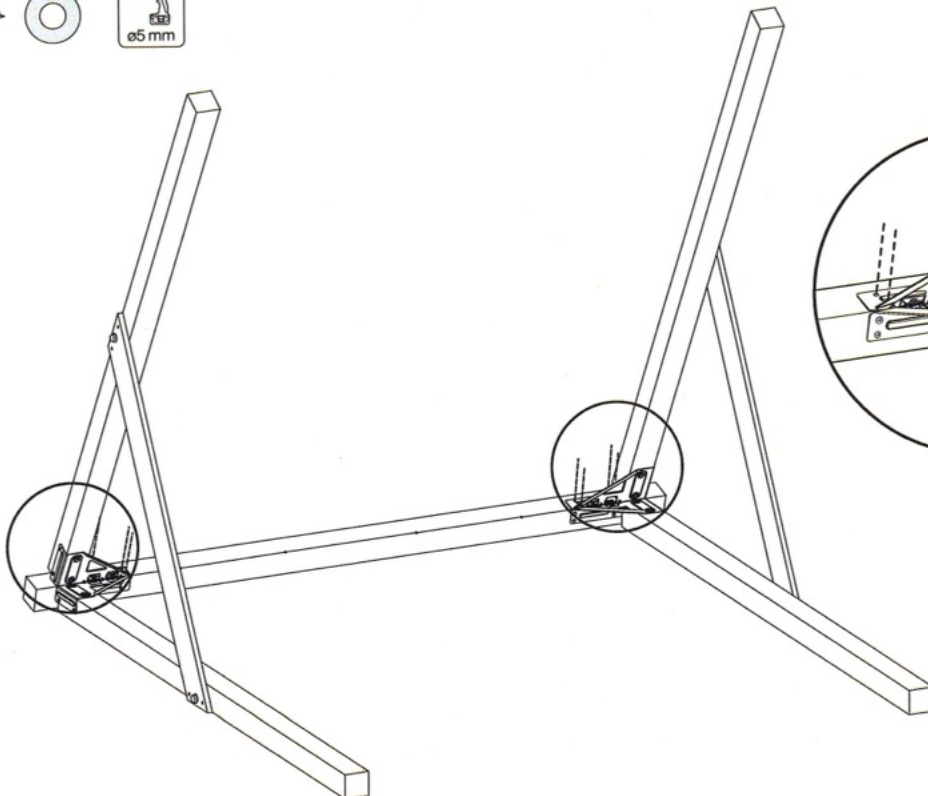
# 5a

8x  
001\_406  
023\_042

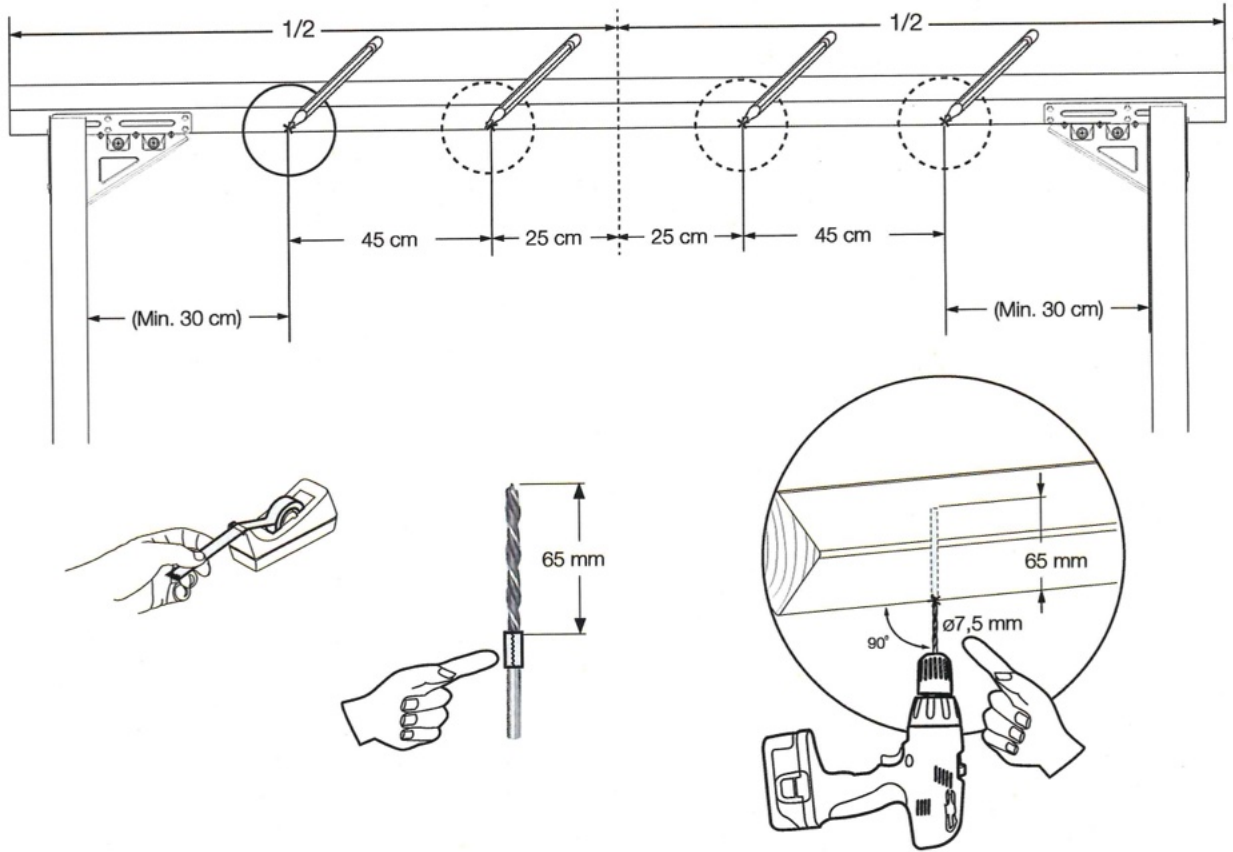


# 5b

8x  
001\_406  
023\_042

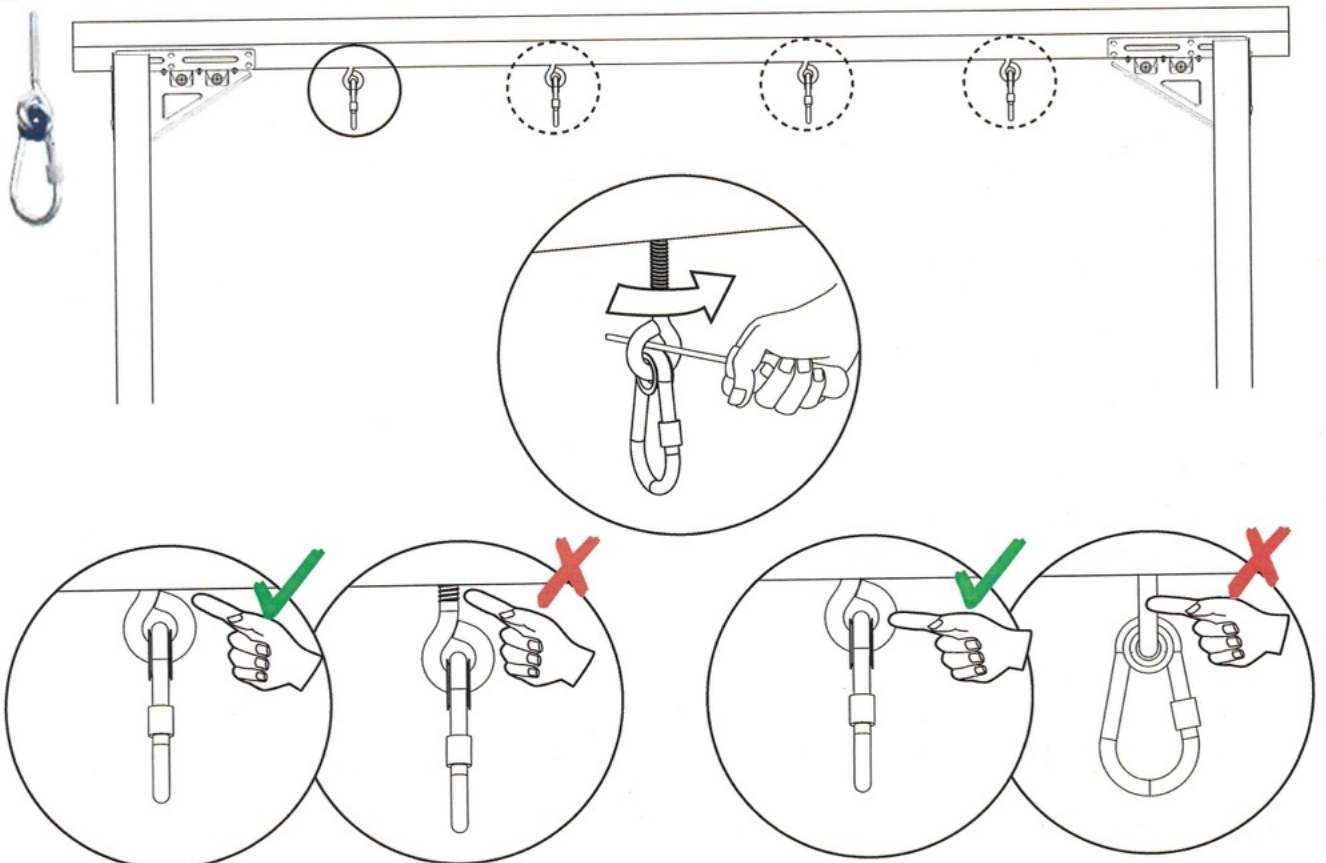


# 6a

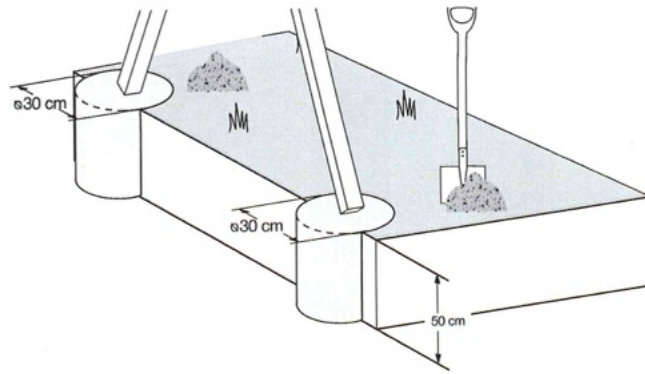


# 6b

4x  
101\_003



# 7a

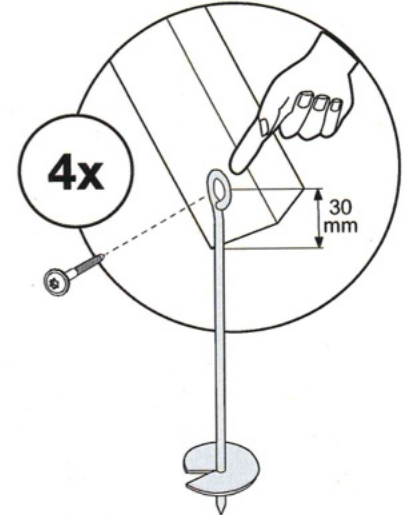
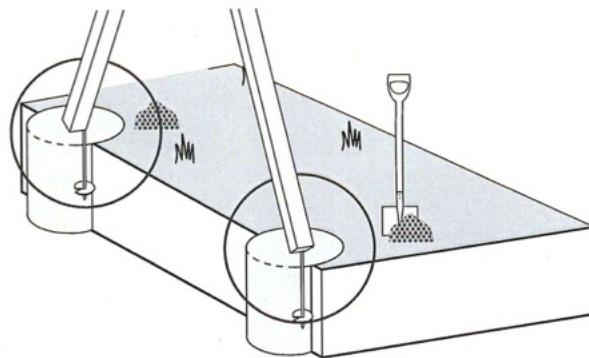


# 7b

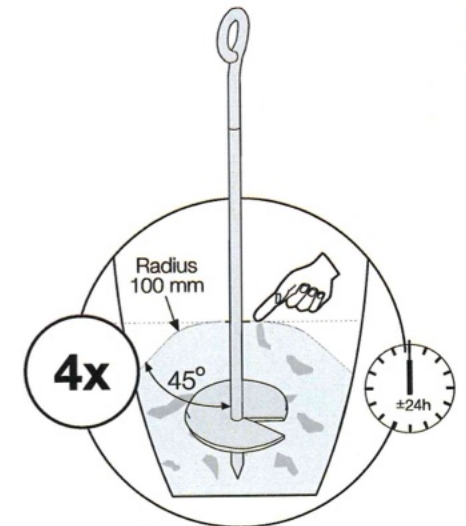
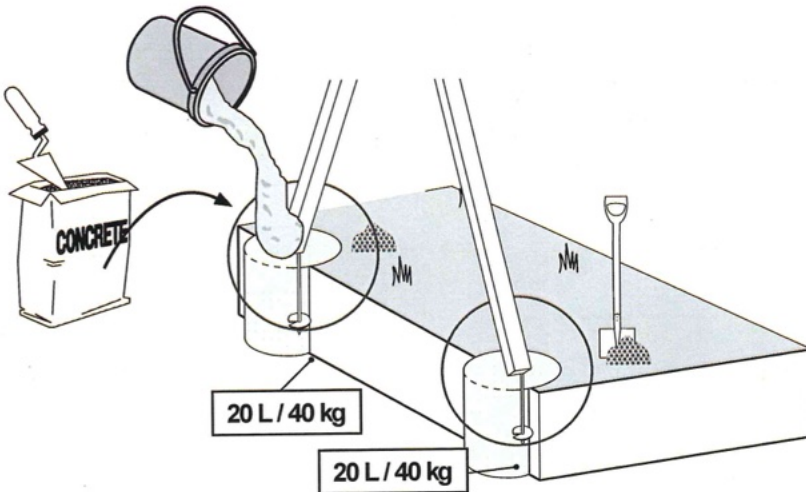
4x  
007\_001



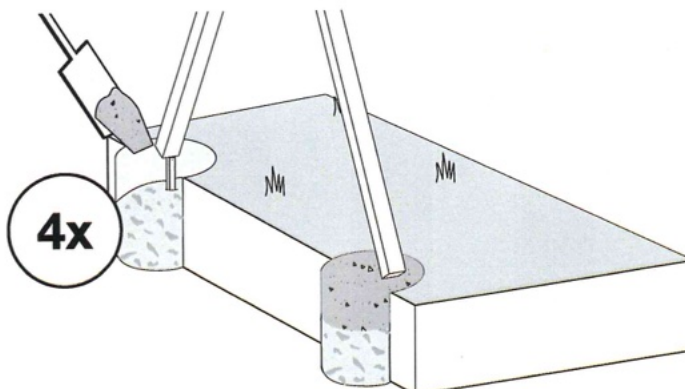
4x  
001\_406



# 7c

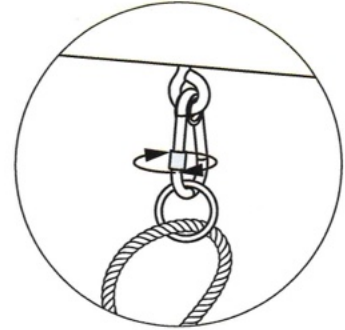
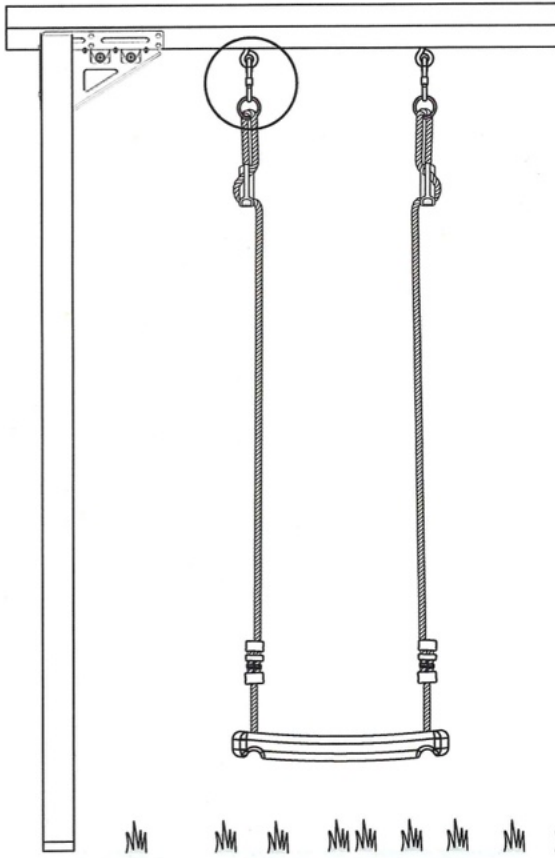
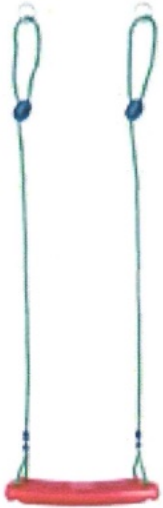


# 7d

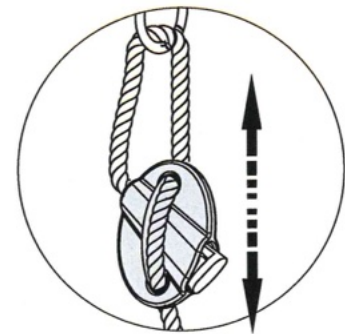
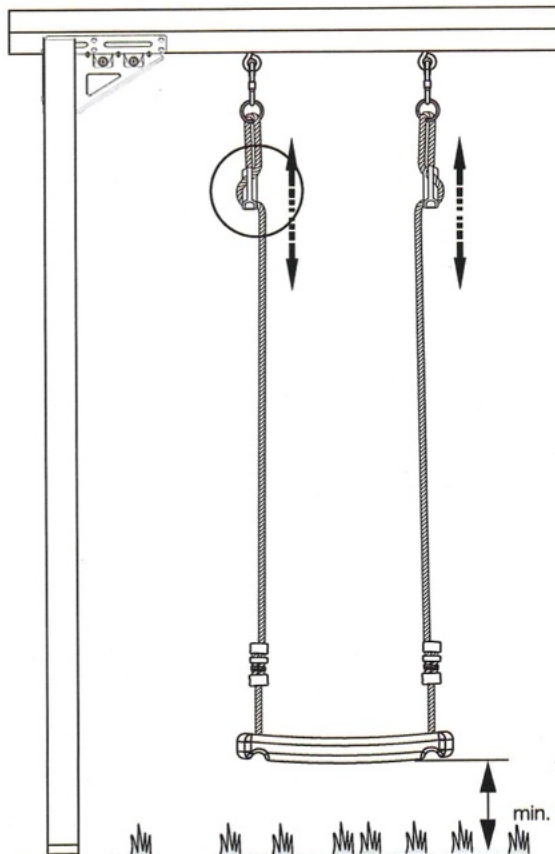


# 8a

1x  
122\_134



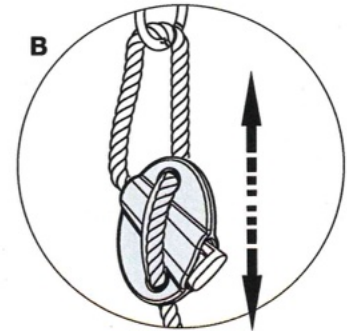
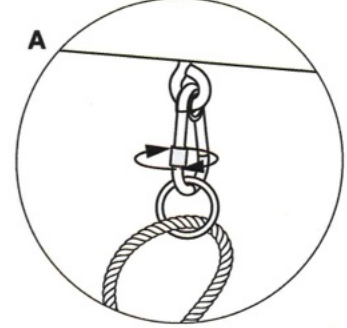
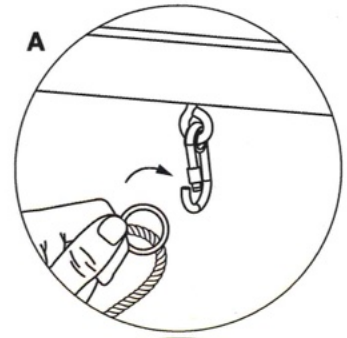
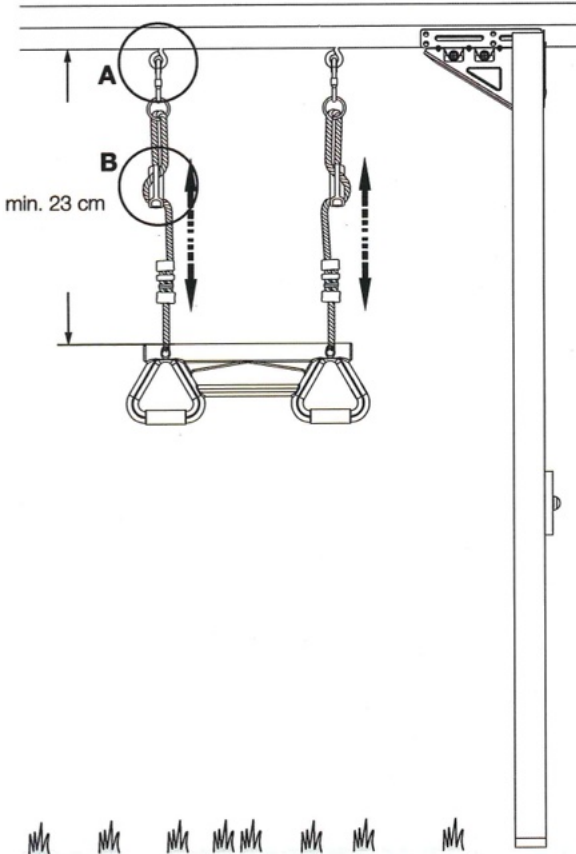
# 8b



min. 35 cm

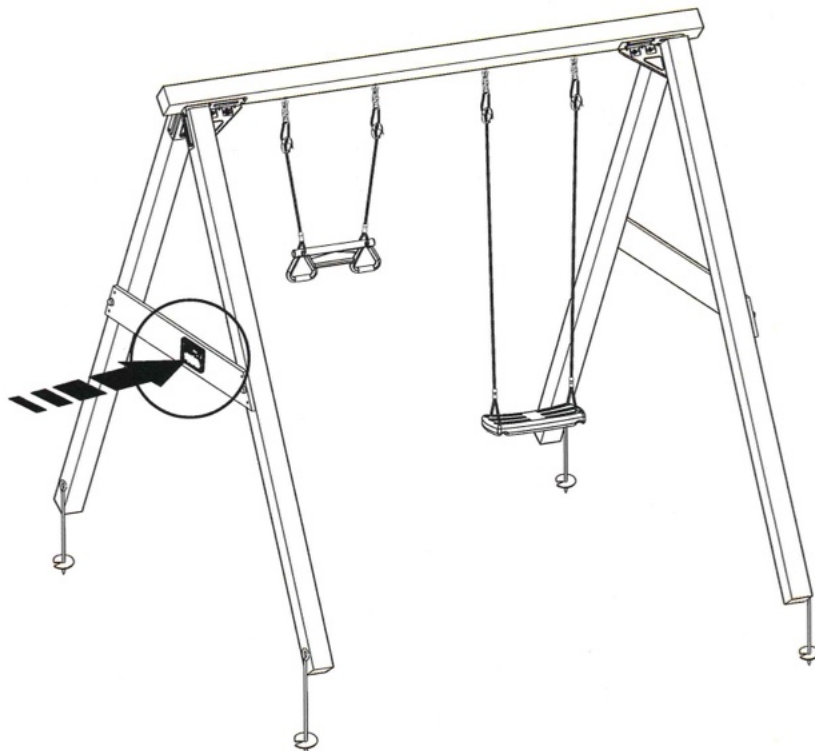


# 8c



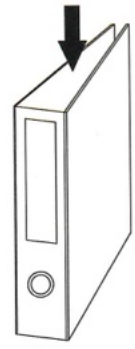
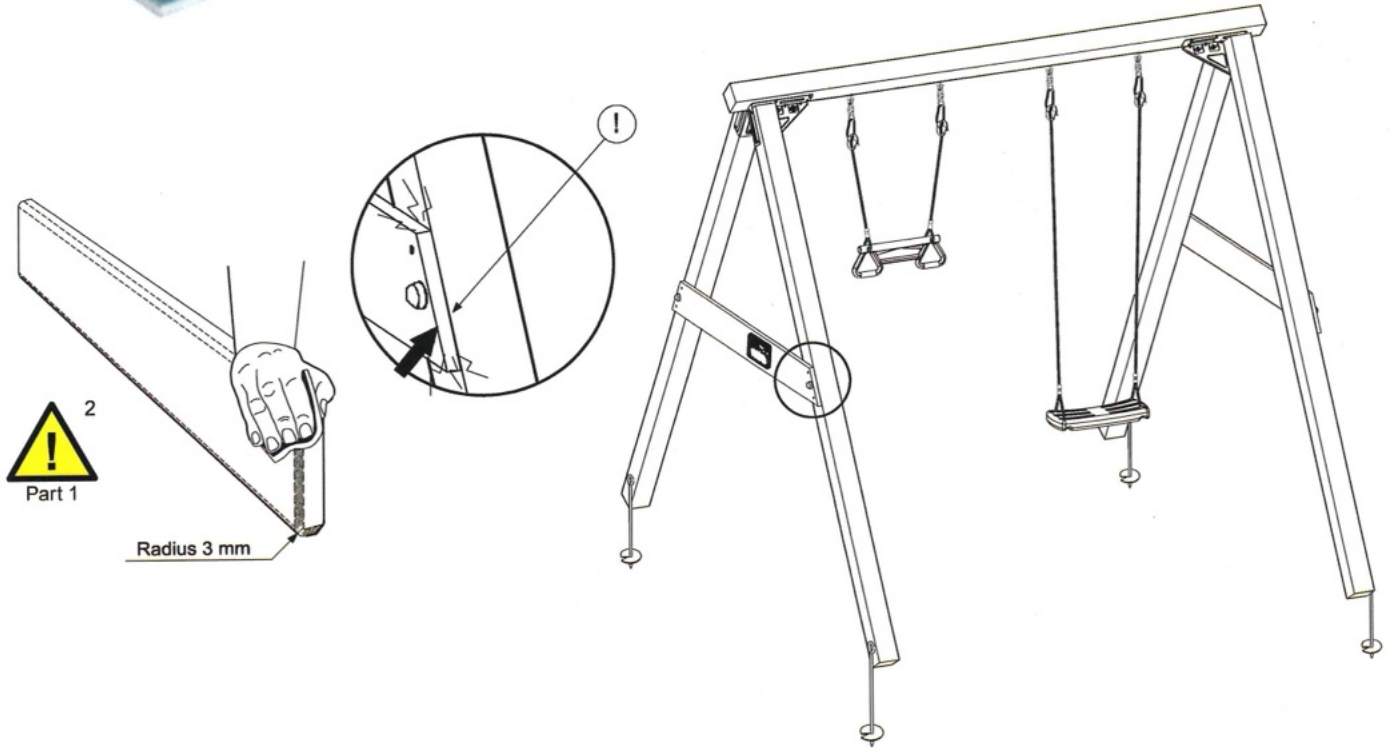
# 9

4x 13 mm  
002\_042



10

1x  
022\_910

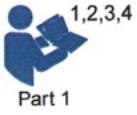




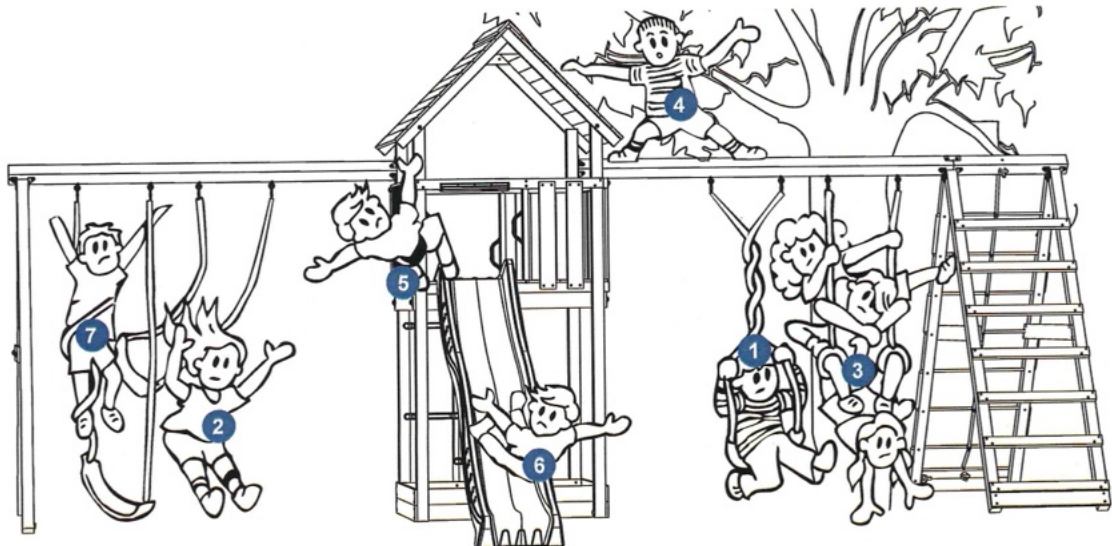
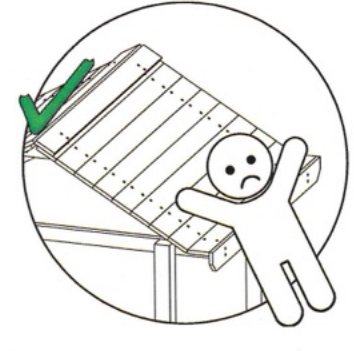
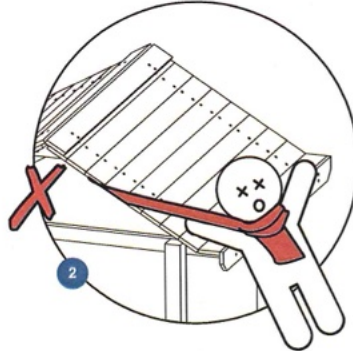
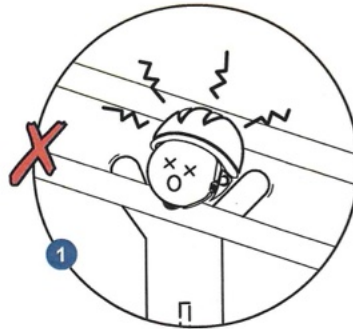
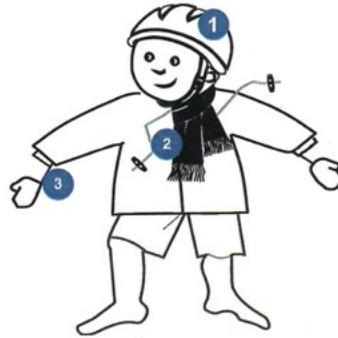
# Safe play instructions and safety notices

## Sichere Spielanweisungen und Sicherheitswarnungen

### Consignes de jeu sécurisé et avis de sécurité



**Maximum number of users**  
**Maximale Benutzerzahl**  
**Le nombre maximal d'utilisateurs**





EU Declaration of Conformity  
 UK Conformity Assessed  
 EU-Konformitätserklärung  
 Déclaration EU de conformité



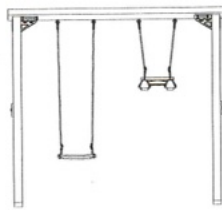
( in accordance with 768/2008/EC )



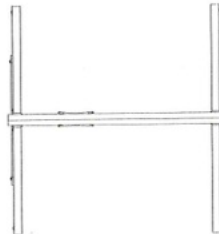
Verified safety & Assembly instructions  
 Geprüfte Sicherheit & Montageanleitung  
 Sécurité vérifiée et Instructions de montage

Design Code :

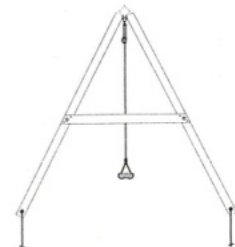
Checkpoint	Description	Compliance
1. Balustrades / Guardrails	Each platform is fully enclosed by balustrades, except at intentional means of access/exit. Height & spacing according to EN 71-8	✓ Pass
2. Swing vs. Slide / Pole Interference	Swing arc (incl. rope loop) does not cross slide entry/exit or Fireman's Pole starting section.	✓ Pass
3. Object Space Separation	No overlap between two object spaces (e.g., climbing wall vs. slide exit).	✓ Pass
4. Object Space vs. Fall Space	Fall zones and free space (impact areas with shock-absorbing surface) are clear of other object spaces. No overlap between fall and use zones.	✓ Pass



Frontview



Topview



Sideview

✓ **Safety Checked**

Your design is automatically reviewed by our safety rule engine and verified by our output control center before instructions are generated. Your design has passed all safety checks.

1. General chapter presence	All general chapters are present (safety guidelines, customer service information, order overview, timber parts list, slide and hardware registration overview, part en pieces references, registration & warnings, required tools, installation and assembly notices, overall dimensions, assembly sequence).	✓ Pass
2. Sub-assembly Presence	All sub-assemblies are listed in the complete composition and delivery overview.	✓ Pass
3. Sub-assembly listings	All sub-assemblies references are listed in the assembly sequence table	✓ Pass
4. Sub-assembly links	Link references in the assembly sequence table correspond to the correct assembly instruction chapters.	✓ Pass
5. Timber part presence	Each assembly instruction chapter includes a corresponding timber part list..	✓ Pass
6. Timber part counts	Individual timber parts listed in the individual assembly pack overview in the assembly instruction chapter are counted and matched with the overview in the timber part list.	✓ Pass

✓ **Manual checked**

This assembly manual has been reviewed and verified. All required chapters, sub-assemblies, sequence references, timber lists, and BOMs have been checked and confirmed to be complete and consistent. You can be confident that this manual gives you all the information you need for a safe and complete assembly, provided the instructions are followed carefully.



EU Declaration of Conformity  
UK Conformity Assessed  
EU-Konformitätserklärung  
Déclaration EU de conformité



( in accordance with 768/2008/EC )

**Product range:** Activity toys for domestic use  
**Produktfamilie:** Aktivitätsspielzeug für den häuslichen Gebrauch  
**Gamme de produits:** Jouets d'activité à usage familial

DoC reference: 20260105\_0700

**Identification climbing frames**

**a. Complete climbing frame assemblies - Vollständige Klettergerüst-Baugruppen - Assemblages complets de structures d'escalade**

Playtowers	801_005, 801_009, 801_010, 801_013, 801_025, 801_040, 801_060, 801_070, 801_090, 801_095, 801_100, 801_103, 801_105, 801_110, 801_120, 801_200, 802_202, 802_204, 802_206, 802_208, 803_202, 803_204, 803_206, 803_208, 803_210, 809_802, 809_804
Swings	801_300, 801_601, 801_602
Modules	850_175, 850_220, 850_240

**b. Climbing frame elements - Klettergerüst-Elemente - Éléments de structures d'escalade**

Base towers (BT)	BT01a, BT02a, BT03a, BT11a, BT14a, BT15a, BT07, BT12, BT16, BT20a, BT22, BT23
Extension towers (ET)	ET01a, ET02a, ET05a, ET06a, ET07a, ET08a, ET09a, ET10a, ET11a, ET12a, ET13a, ET14a, ET15a, ET16a, ET17a, ET18a, ET19a, ET20a, ET22a, ET23a, ET27a, ET28a, ET35a, ET29a, ET39a, ET40a
Veranda (VD)	VD01a, VD02a, VD03a, VD04a, VD05a
Bridges (CB, NB, BB, TB)	CB01a, CB01b, NB01a, BB01a, BB02a, TB01a, TB02a, TB03a, TB04a
Roofs (RF)	RF01a, RF21a, RF02a, RF03a, RF04a, RF05a, RF06a, RF20a, RF02b, RF03b, RF28a, RF31a, RF07a, RF08a, RF22a, RF09a, RF23a, RF11a, RF12a, RF16a, RF07b, RF12b, RF08b, RF22b, RF09b, RF23b, RF11b, RF29a, RF34a, RF32a, RF14a, RF24a, RF15a, RF25a, RF18a, RF17a, RF18b, RF14b, RF24b, RF15b, RF25b, RF30a, RF35a, RF33a
Balustrade (BL, BF)	BL01a, BL02a, BL11a, BL12a, BL21a, BL22a, BF25a, BF26a, BF27a, BF28a, BL03a, BL04a, BL13a, BL14a, BF01a, BF02a, BF03a, BF04a, BF05a, BF06a, BF07a, BF08a, BF01b, BF02b, BF03b, BF04b, BF05b, BF06b, BF07b, BF08b, BL05a, BL06a, BL07a, BL08a, BL09a, BL10a, BL15a, BL16a, BF21a, BF22a, BF23a, BF24a, BF21b, BF22b, BF23b, BF24b
Playhouse (PH)	PH03a, PH04a, PH05a, PH06a, PH10a, PH11a, PH40a, PH41a, PH12a, PH13a, PH14a, PH15a, PH42a, PH43a, PH44a, PH45a, PH16a, PH17a, PH18a, PH19a, PH30a, PH31a, PH16b, PH17b, PH18b, PH19b, PH46a, PH47a, PH48a, PH49a, PH16c, PH17c, PH18c, PH19c, PH46b, PH47b, PH48b, PH49b, PH34a, PH35a, PH20a, PH21a, PH22a, PH23a, PH24a, PH25a, PH26a, PH27a, PH32a, PH33a, PH52a, PH53a, PH54a, PH55a, PH56a, PH57a, PH50a, PH51a, PH26b, PH27b, PH26c, PH27c, PH56b, PH57b
Ladder (LA)	LA05a, LA06a, LA01a, LA02a, LA09a, LA03a, LA04a, LA01b, LA02b, LA09b, LA03b, LA04b, LA11a, LA12a, LA13a, LA14a, LA15a, LA16a, LA17a, LA18a, LA31a, LA32a, LA33a, LA34a, LA35a, LA36a, LA37a, LA38a, LA11b, LA12b, LA13b, LA14b, LA15b, LA16b, LA17b, LA18b, LA51a, LA52a, LA53a, LA54a, LA19a, LA20a, LA21a, LA22a, LA23a, LA24a, LA25a, LA26a, LA43a, LA44a, LA45a, LA46a, LA23b, LA24b, LA25b, LA26b
Two Step Ladder (TS)	TS01a, TS01b, TS02a, TS02b, TS21b, TS03b, TS22a, TS22b, TS05a, TS06a, TS07a, TS08a, TS09a, TS10a, TS11a, TS12a, TS15a, TS16a, TS17a, TS18a, TS19a, TS20a, TS21a, TS22a
Rope Ladder (RL)	RL01a, RL02a, RL05a, RL06a, RL07a, RL08a, RL09a, RL10a, RL11a, RL12a, RL15a, RL16a, RL19a, RL20a
Rock wall (RW)	RW01a, RW02a, RW01b, RW02b, RW03b, RW31a, RW32a, RW33a, RW05a, RW06a, RW07a, RW08a, RW09a, RW10a, RW11a, RW12a, RW05b, RW06b, RW07b, RW08b, RW40a, RW41a, RW40b, RW41b, RW42a, RW43a, RW15a, RW16a, RW17a, RW18a, RW19a, RW20a, RW46a, RW47a
Ramp (RA)	RA01b, RA02b, RA03a, RA04a, RA21a, RA05a, RA06a, RA07a, RA08a, RA05b, RA06b, RA07b, RA08b, RA11a, RA12a, RA09b, RA10b, RA11b, RA12b
Net (NA, NS)	NA01a, NA02a, NS01a, NS02a, NS03a, NS21a, NA04a, NA05a, NS04a, NS05a, NS06a, NS07a, NA08a, NA09a, NS08a, NS09a
Boat (BO)	BO01a
Market (MT)	MT01a, MT02a, TC01a, TC02a, MT01b, MT02b, TC01b, TC02b, MT05a, MT06a, MT11a, MT12a
Target Canvas (TC)	TC03a, TC04a, TC05a, TC06a
Picnic (PC)	PC01a, PC01b, PC05a, PC06a, PC09a, PC10a
Playkitchen (PK)	PK01a, PK05a, PK09a
Gymnastics bar (GY)	GY01a
Fireman's pole (FP)	FP30a, FP01a, FP02a, FP04a, FP05a, FP06a, FP07a, FP23a, FP24a, FP25a, FP26a, FP27a, FP28a
Slides (SL)	SL30a, SL31a, SL01a, SL02a, SL03a, SL06a, SL07a, SL08a, SL09a, SL10a, SL11a, SL12a, SL13a, SL26a, SL27a, SL28a, SL29a
Swing (SM)	SW17a, SW21a, SW18a, SW22a, SW19a, SW23a, SW01a, SW05a, SW02a, SW06a, SW03a, SW07a, SW09a, SW13a, SW10a, SW14a, SW11a, SW15a
Climb (CL)	CL17a, CL21a, CL18a, CL22a, CL19a, CL23a, CL01a, CL05a, CL02a, CL06a, CL03a, CL07a, CL09a, CL13a, CL10a, CL14a, CL11a, CL15a
Universal Beam (UB)	UB01a, UB04a, UB20a, UB21a, UB22a, UB23a, UB24a, UB25a, UB26a, UB27a, UB28a, UB29a, UB02a, UB05a, UB03a, UB06a, UB07a, UB08a
Accessories (AC)	AC40a, AC43a, AC30a, AC31a, AC32a, AC33a, AC01a, AC11a, AC05a, AC07a, AC03a, AC04a, AC06a, AC23a, AC22a, AC24a, AC21a, AC25a, AC02a, GA31, AC09a, AC08a, AC10a

**Identification construction packages**

**a. Assembly kits for complete climbing frames - Montagesets für komplette Klettergerüste - Kits de montage pour structures d'escalade complètes**

Playtowers	401_015, 401_080, 401_125, 402_201, 402_202, 402_204, 402_206, 402_208, 403_202, 403_204, 403_206, 403_208, 403_210, 409_802, 409_804
Swings	401_300, 401_600
Modules	457_005, 457_102, 457_103, 457_106, 457_107, 457_205

**b. Assembly packs for climbing frames elements - Baupakete für Klettergerüst-Elemente - Packs de construction pour éléments de structures d'escalade**

Sub assemblies	194_002, 194_003, 194_004, 194_006, 194_007, 194_008, 194_009, 194_010, 194_011, 194_100, 194_101, 194_102, 194_103, 194_104, 194_105, 194_107, 194_108, 194_109, 194_110, 194_111, 194_112, 194_113, 194_114, 194_115, 194_116, 194_117, 194_118, 194_119, 194_300, 194_308, 194_312, 194_500, 194_501, 194_508, 194_510, 194_802, 194_804, 194_809, 194_810, 194_811, 194_812
----------------	---

**c. Accessories and components for climbing frames - Zubehör und Komponenten für Klettergerüste - Accessoires et composants pour structures d'escalade**

Slides	324_x00, 324_100, 324_200, 324_300, 324_400, 324_500, 324_600, 334_x00, 334_100, 334_200, 334_300, 334_400, 334_500, 334_600
Fireman's pole	201_275
Climbing	201_060, 201_273
Imagination	201_230, 201_280, 201_285, 201_290, 201_295, 202_473, 450_310, 450_320, 450_330
Swinging	250_001, 250_013, 250_025, 250_034, 250_053
Functional	123_220, 123_222, 123_230, 201_115, 201_220, 201_250, 201_260, 201_270, 202_620, 202_621, 202_622, 202_623, 202_624, 202_625, 202_626, 202_627, 202_628, 202_629, 202_824, 250_060, 250_065, 250_070, 250_075

## Applicable EU and UK directives, regulations and standards

### General directives

- EU Product Safety Regulation (GPSR 2023/988/EC)
- UK General Product Safety Regulations (GPSRs SI 2005/1803)
- EU Reach Directive 1907/2006
- EU Accessibility Act (EAA 2019/882)
- AfPS GS 2019:01 PAK

### Toy directives

- EU Toys Safety Directive (TSD 2009/48/EC)
- UK Toys Safety Regulations 2011 (TSR SI 2011/1881)

### Harmonised European and UK toy standard

- Safety of toys (EN 71)
  - Part 1: Mechanical and physical properties (prEN 71-1:2024)
  - Part 2: Flammability (EN 71-2:2020/prA1:2023)
  - Part 3: Migration of certain elements (EN 71-3:2019+A2:2024)
  - Part 8: Activity toys for domestic use (prEN 71-8:2024)

## Additional audits

### Test reports / Certificate:

### Prüfbericht / Zertifikat:

### Rapport d'essai / certificate:

TÜV Rheinland Product Safety GmbH  
Am Grauen Stein, 51105 Köln, Germany  
Zertifikat: R 60010766, R 60024578  
Prüfbericht: 21115718\_003/004/005, 21140630\_001/002

Dekra Automobil GmbH  
Handwerkstraße 15, 70565 Stuttgart, Germany  
Prüfbericht: 340331500\_55245585/13-2, 55247432.14-1, 55247432.14-2

Laboratoire National de métrologie et d'essais (LNE)  
29 Avenue Roger Hennequin, 78197 Trappes Cedex, France  
Revue documentaire: K080196

## Design

### Product image:

### Produktbild:

### Image du produit:

### Design Code:



Production date: 12-02-2026

## Declaration

This declaration of conformity is issued solely under the responsibility of the manufacturer, who asserts that the aforementioned products comply with the applicable directives and harmonized standards, provided that installation, assembly, and maintenance are performed in accordance with the instructions supplied.

Diese Konformitätserklärung wird ausschließlich unter der Verantwortung des Herstellers ausgestellt, der erklärt, dass die genannten Produkte den geltenden Richtlinien und harmonisierten Standards entsprechen, vorausgesetzt, dass Installation, Montage und Wartung gemäß den bereitgestellten Anweisungen durchgeführt werden.

Cette déclaration de conformité est émise uniquement sous la responsabilité du fabricant, qui affirme que les produits mentionnés ci-dessus sont conformes aux directives applicables et aux normes harmonisées, à condition que l'installation, le montage et l'entretien soient réalisés conformément aux instructions fournies.


## Manufacturer details

Jungle Gym B.V.  
P.O. Box 75083  
1070 AB Amsterdam  
Netherlands  
[www.jungle gym.com](http://www.jungle gym.com)  
[info@jungle gym.com](mailto:info@jungle gym.com)  
+31 85 44 44 100

**Jungle Gym**  
BACKYARD PLAYGROUNDS  
— since 1988 —

Amsterdam, January 13<sup>th</sup>, 2026

On behalf of the manufacturer  
**Jungle Gym B.V.**

  
Paul Schmit  
CEO



Satisfied with the result? We'd love your rating.  
Zufrieden mit dem Ergebnis? Teilen Sie Ihre Bewertung.  
Satisfait du résultat ? Nous serions ravis de recevoir votre avis.

Review us on




★★★★★

Scan | Click




Google account required

Review us on



★★★★★

Scan | Click



Trustpilot account required

Satisfied\_with\_the\_result?\_We'd\_love\_your\_rating

# Jungle Gym

BACKYARD PLAYGROUNDS

since 1988

Head office:  
P.O. Box 75083  
1070 AB Amsterdam  
The Netherlands

[www.jungle gym.com](http://www.jungle gym.com)  
[info@jungle gym.com](mailto:info@jungle gym.com)  
Phone: +31 85 44 44 100

Do not reproduce under penalty of law.  
Availability of Jungle Gym® products may vary between distributors  
and countries. Subject to alterations and printing errors.

