



Top Rated Product

  
4.5  
★★★★★

verified by Trustindex 

# Assembly instructions

Activity toys to be assembled by adults for outdoor domestic use.

## Montageanleitung

Aktivitätsspielzeug zum Selbstaufbau für den häuslichen Außenbereich.

## Instructions de montage

Jouet d'activité à assembler pour une utilisation familial en extérieur

# 2 PART

00\_assembly\_instructions

Design Code : VpP3rI  
Article Number : 211070  
Product Name : **Jungle House 2.1**  
Audit ID : 801\_095



Manual ID: 040\_034\_2616


3D | 360°  
View



# Jungle Gym

BACKYARD PLAYGROUNDS

since 1988

Assembly time ca.  
  
4.0  
hours  
by 2 adults

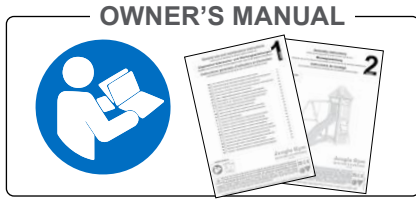


**EN.** Warning! Only for domestic use. Maximum number of users is **5**. **DE.** Achtung! Nur für den Hausgebrauch. Maximale Benutzerzahl: **5**. **FR.** Attention! Réserve à un usage familial. Le nombre maximal d'utilisateurs est de **5**. **BG.** Внимание! За употреба само в домашни условия. Максималният брой потребители е **5**. **CS.** Varování! Jen pro domácí použití. Maximální počet uživatelů je **5**. **DA.** Advarsel! Kun til privat brug. Maksimum antal brugere er **5**. **EL.** Προειδοποίηση! Μόνο για οικιακή χρήση. Μέγιστος αριθμός χρηστών **5**. **ES.** Advertencias! Sólo para uso doméstico. Número máximo de usuarios: **5**. **ET.** Hoiatused! Ainult koduseks kasutamiseks. Maksimaalne kasutajate arv on **5**. **FI.** Varoitukset! Ainoastaan kotikäyttöön. Käyttäjää yhteensä enintään **5**. **HR.** Upozorenja! Samo za uporabu u domu. Maksimalan broj korisnika je **5**. **HU.** Figyelmeztetések! Csak otthoni használatra! A használók max. száma: **5**. **IS.** Varnaðaroró! Eingöngu fyrir einkanoðkun í heimahúsum og á einkalóum. Hámarksfjöldi notenda er **5**. **IT.** Avvertenze! Solo per uso domestico. Massimo numero di utenti è **5**. **LT.** Dėmesio! Tik buitiniam naudojimui. Maksimalus naudotojų skaičius **5**. **LV.** Brīdinājumi. Izmantot tikai mājās. Maksimālais lietotāju skaits ir **5**. **NL.** Waarschuwing! Uitsluitend voor huishoudelijk gebruik. Het maximale aantal gebruikers is **5**. **NO.** Advarsler! Kun for privat bruk. Maksimalt antall brukere er **5**. **PL.** Ostrzeżenia! Wyłącznie do użytku domowego. Maksymalna liczba użytkowników to **5**. **PT.** Avisos! Apenas para uso doméstico. O número máximo de utilizadores é **5**. **RO.** Avertismente! Numai pentru uz domestic. Numărul maxim de utilizatori este **5**. **SK.** Upozornenia! Iba na domáce použítie. Maximálne množstvo osôb je **5**. **SL.** Opozorila! Samo za domačo uporabo. Maksimalno število uporabnikov je **5**. **SV.** Varningar! Endast för hemmabruk. Det maximala antalet användare är **5**.





# Safety symbols Sicherheitssymbole Symboles de sécurité



**Important:** Before assembling and using this product, please carefully read the provided Use- and maintenance instructions (Part 1) and assembly instructions (Part 2) thoroughly.

**Wichtig:** Lesen Sie vor der Montage und Benutzung dieses Produkts die beiliegende Gebrauchs- und Wartungsanweisungen (Teil 1) und die Montageanleitung (Teil 2) sorgfältig durch.

**Important:** Avant de monter et d'utiliser ce produit, veuillez lire attentivement. Conseils d'utilisation et d'entretien (Partie 1) et les instructions de montage (Partie 2).



**Mandatory provisions**  
Gebotsbestimmungen  
Dispositions obligatoires



1-5 **Warnings!**  
Achtung!  
Attention!



1-12 **Potential hazards**  
Potenzielle Gefahren  
Dangers potentiels



1-7 **Installation and safety notices**  
Installations- und Sicherheitshinweise  
Instructions d'installation et de sécurité



1-14 **Assembly and safety notices**  
Montage- und Sicherheitshinweise  
Instructions de montage et de sécurité



1-7 **Safe play instructions and safety notices**  
Sichere Spielanweisungen und Sicherheitswarnungen  
Consignes de jeu sécurisé et avis de sécurité



## Customer service Kundendienst Service client



 [Frequently Asked Questions](#)

 [Häufig gestellte Fragen](#)

 [Foire aux questions](#)

 [Veelgestelde Vragen](#)



 EU +31 85 44 44 102 \*

[info@junglegym.com](mailto:info@junglegym.com)

[www.junglegym.com](http://www.junglegym.com)

[instagram.com/junglegymofficial](https://www.instagram.com/junglegymofficial)

\* International phone charges may apply.

**Availability:**

**Monday – Thursday:**

CET 09:00 AM – 04:00 PM

**Friday:**

CET 09:00 AM – 01:00 PM



# Preparation Vorbereitung Préparation



**Complete composition and delivery overview**  
**Vollständige Zusammensetzung und Lieferübersicht**  
**Aperçu complet de la composition et de la livraison**



OR



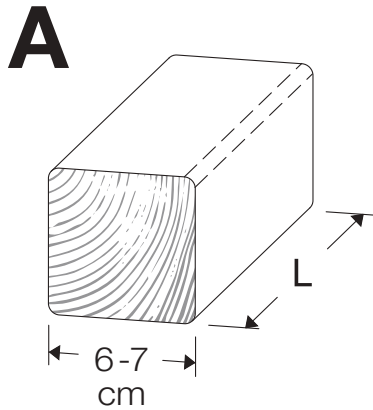
To avoid danger of suffocation, please keep the bag away from children.  
 Um Erstickungsgefahr zu vermeiden, halten Sie die Tüte bitte von Kindern fern.  
 Pour éviter tout risque d'étouffement, gardez le sac hors de portée des enfants.

Choking hazard – may not be suitable for children under 3 years.  
 Erstickungsgefahr – möglicherweise nicht geeignet für Kinder unter 3 Jahren.  
 Risque d'étouffement – peut ne pas convenir aux enfants de moins de 3 ans.

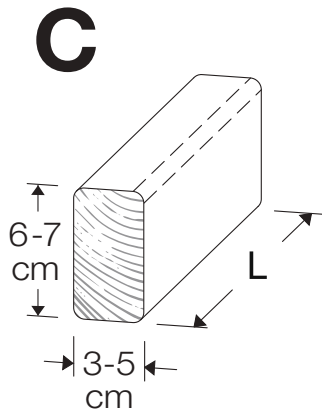


#	Print ID	Description	FFC ID
1	BT11a	Base Tower 115_240240_125	701_095
1	RF11b	Roof Timber Ridge 115	
2	BL04a	Balustrade 115_T	
1	LA11a	Ladder 115_125 U L x Balustrade	
1	SL06a	Slide Frame 115_125 U L x Balustrade	
1	AC01a	Accessories Set	
1	324_x00	Wavy Star Slide XL	324_x00

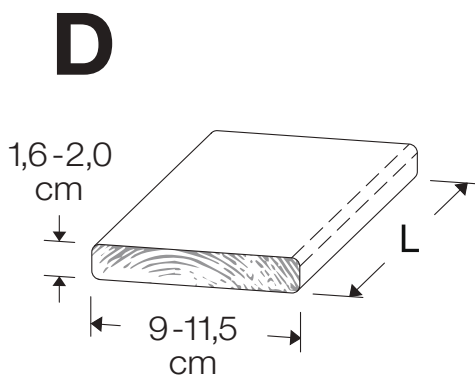
Timber parts list  
 Stückliste Holzteile  
 Liste des pièces en bois



ID	L	#
A240	239 cm - 240 cm	4



C70	69 cm - 70 cm	2
C74	73 cm - 74 cm	4
C114	113 cm - 114 cm	9
C130	129 cm - 130 cm	2
C154	153 cm - 154 cm	2



D65	64 cm - 65 cm	16
D100	99 cm - 100 cm	14
D114	113 cm - 114 cm	12
D127	126 cm - 127 cm	25

Slide registration  
Rutschenregistrierung  
Enregistrement du toboggan

Article №: + Color ID: + LOT: ID:



- = 100
- = 200
- = 300
- = 400
- = 500
- = 600

Example

No:                      Color ID:              LOT ID:

2 3 2 4    2 0 0    2 2 0 2 2 3

1. \_\_\_\_\_

2. \_\_\_\_\_

3. \_\_\_\_\_

4. \_\_\_\_\_

Hardware kit, pack and/or accessory registration  
Registrierung von Hardware-Kits, Paketen und/oder Zubehör  
Enregistrement du kit matériel, du pack et/ou des accessoires

Article №: + LOT ID:



OR

LOT ID:



Example

No:                      LOT:

1 2 3 4 5 6    2 7 1 1

1. \_\_\_\_\_

2. \_\_\_\_\_

3. \_\_\_\_\_

4. \_\_\_\_\_

Example

LOT:


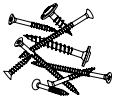




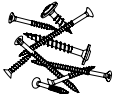
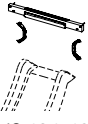
AP Manual & Accessory set

**AC**

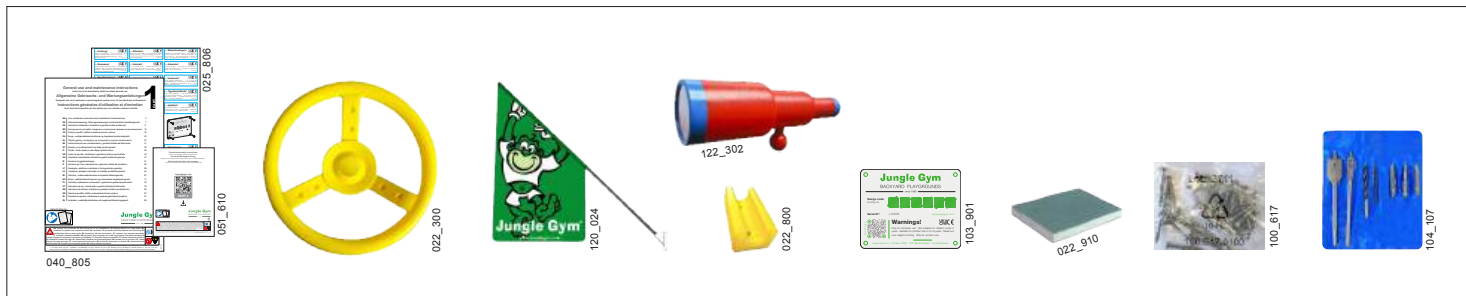
№ 194\_119    **1x**

LOT: 2 7 1 1

**Hardware package and accessory registration**  
**Hardwarebeutel- und Zubehörregistrierung**  
**Enregistrement du sachet de quincaillerie et des accessoires**

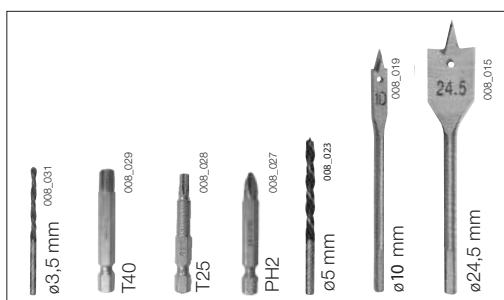
<p>Tower 115</p>  <p><b>BT ET</b></p> <p>Nº 194_300 <b>1x</b></p> <p>LOT: <input type="checkbox"/> <input type="checkbox"/> <input type="checkbox"/> <input type="checkbox"/> <input type="checkbox"/> <input type="checkbox"/></p>	<p>Hardware 03</p>  <p><b>H03</b></p> <p>Nº 194_501 <b>2x</b></p> <p>LOT: <input type="checkbox"/> <input type="checkbox"/> <input type="checkbox"/> <input type="checkbox"/> <input type="checkbox"/> <input type="checkbox"/></p>	<p>AP Manual &amp; Accessory set</p>  <p><b>AC</b></p> <p>Nº 194_119 <b>1x</b></p> <p>LOT: <input type="checkbox"/> <input type="checkbox"/> <input type="checkbox"/> <input type="checkbox"/> <input type="checkbox"/> <input type="checkbox"/></p>	<p>Ladder 125</p>  <p><b>LA</b></p> <p>Nº 194_003 <b>1x</b></p> <p>LOT: <input type="checkbox"/> <input type="checkbox"/> <input type="checkbox"/> <input type="checkbox"/> <input type="checkbox"/> <input type="checkbox"/></p>	<p>Hardware 01</p>  <p><b>H01</b></p> <p>Nº 194_101 <b>2x</b></p> <p>LOT: <input type="checkbox"/> <input type="checkbox"/> <input type="checkbox"/> <input type="checkbox"/> <input type="checkbox"/> <input type="checkbox"/></p>
<p>Slide XL 2.2m</p>  <p>Nº 324_x00 <b>1x</b></p> <p>LOT: <input type="checkbox"/> <input type="checkbox"/> <input type="checkbox"/> <input type="checkbox"/> <input type="checkbox"/> <input type="checkbox"/></p>	<p>Hardware 04</p>  <p><b>H04</b></p> <p>Nº 194_804 <b>1x</b></p> <p>LOT: <input type="checkbox"/> <input type="checkbox"/> <input type="checkbox"/> <input type="checkbox"/> <input type="checkbox"/> <input type="checkbox"/></p>	<p>Slide Frame</p>  <p><b>SL</b></p> <p>Nº 194_107 <b>1x</b></p> <p>LOT: <input type="checkbox"/> <input type="checkbox"/> <input type="checkbox"/> <input type="checkbox"/> <input type="checkbox"/> <input type="checkbox"/></p>		

**Standard Scope of Delivery**  
**Standard-Lieferumfang**  
**Contenu Standard de la Livraison**



194\_119

**Overview bit and drill bit references**  
**Bit-Übersicht und Bohrer-Referenzen**  
**Aperçu des embouts et références de forets**



**Fastening hardware & component references**  
**Befestigungsmaterial und Komponentenreferenzen**  
**Références de fixation et de composants**

		#	L
 ø 5	 8.8	 ø 8.0 mm	001_404 30 mm
			001_406 45 mm
			001_411 60 mm
			001_417 80 mm
			001_422 137 mm
 ø10	 8.8	 M8	001_102 30 mm
 ø3.5	 T-25	 ø 2.0 mm	000_101 20 mm
 ø3.5	 T-25	 ø 6.3 mm	002_036 16 mm
 ø3.5	 PH-2	 ø 4.5 mm	002_041 20 mm
 ø3.5	 PH-2	 ø 3.5 mm	002_042 13 mm
 ø3.5	 PH-2	 ø 3.9 mm	002_301 40 mm

		#	L
 ø3.5	 T-25	 ø 5.0 mm	002_308 20 mm
			002_219 30 mm
			002_220 45 mm
			002_223 80 mm
 ø10	 T-40	 M8	004_050 22mm
		 M8	003_010
		 M6	003_034
		 ø 4.5 mm	022_845 Yellow 022_846 Blue 022_847 Green 022_848 Red
		 ø 3.5 mm	023_031 White
		 ø 3.9 mm	120_005 White
		 ø 3.9 mm	022_844
		 ø 3.9 mm	022_314

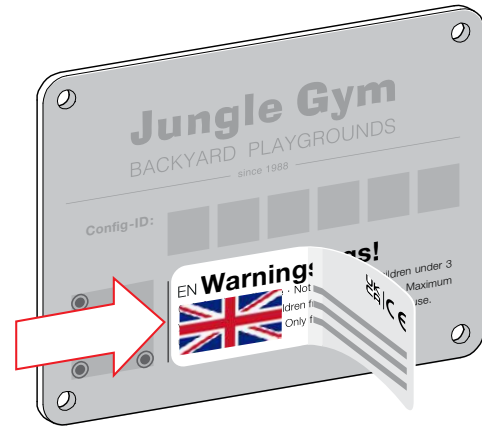
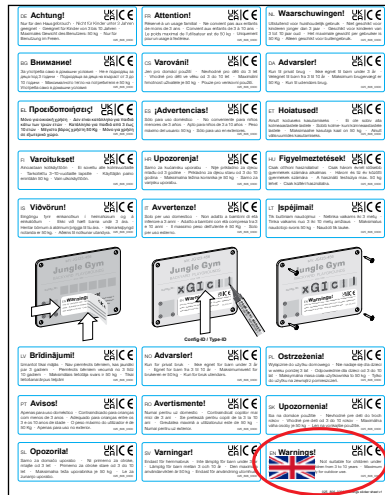


# Registration & warnings Registrierung & Warnhinweise Enregistrement & avertissements

Climbing frame identification  
Klettergerüst-Identifizierung  
Identification de l'aire de jeux



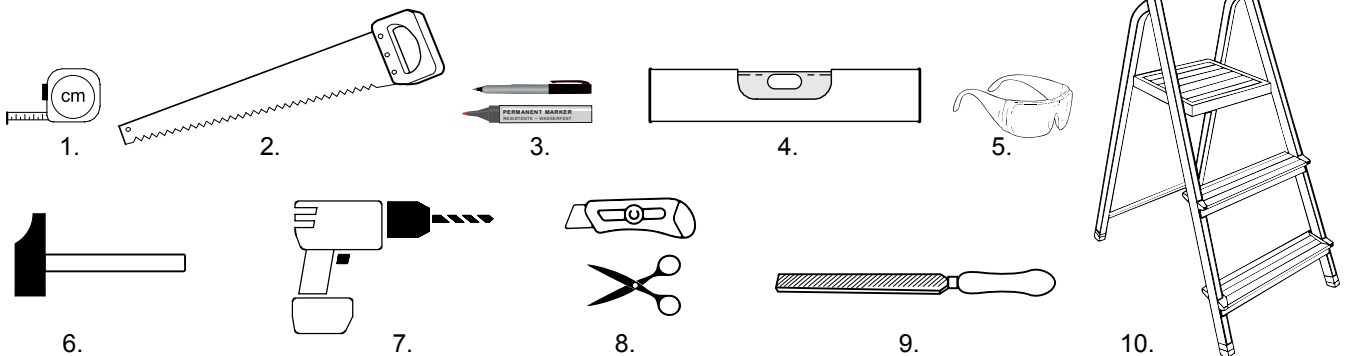
Use warnings  
Gebrauchswarnungen  
Avertissements d'usage



Manual ID: 040\_034\_2616



# Required tools Benõtiges Werkzeug Outils nõcessaires





# Installation and safety notices

## Installations- und Sicherheitshinweise

## Instructions d'installation et de sécurité

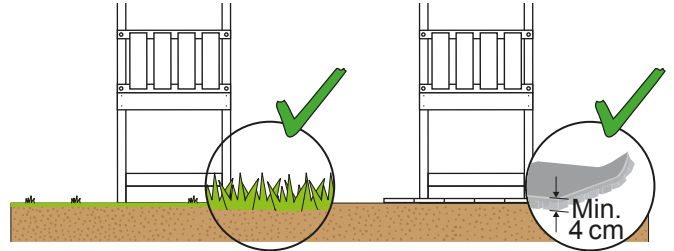
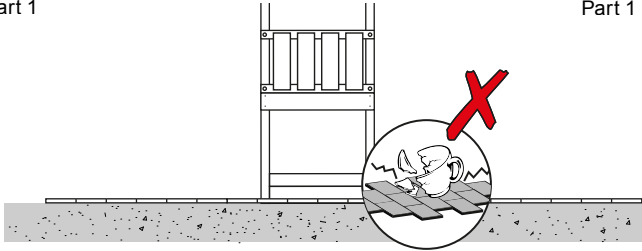


Part 1



6

Part 1

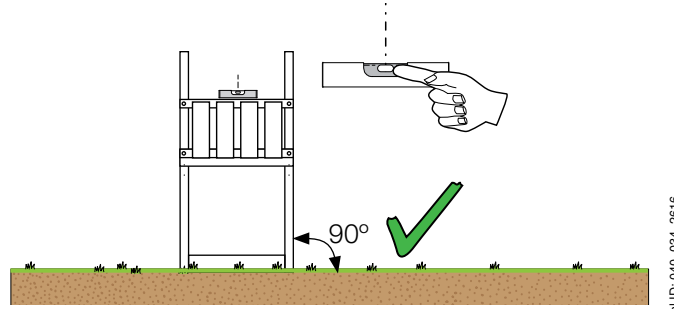
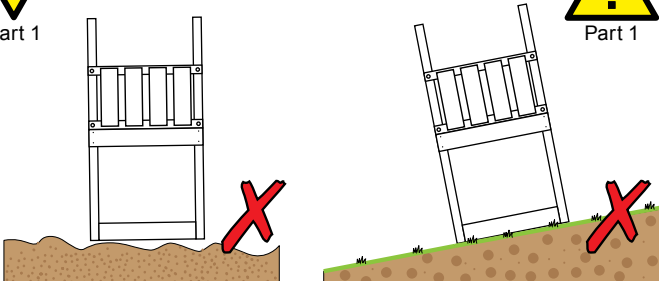


Part 1

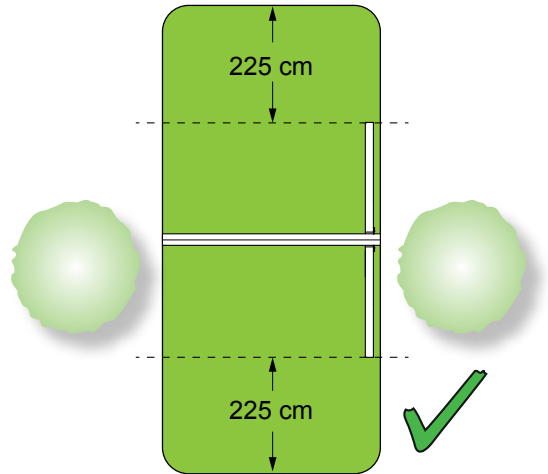
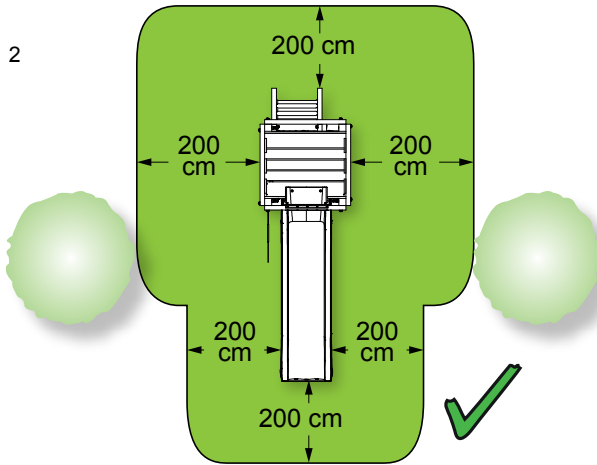


10

Part 1



Part 1

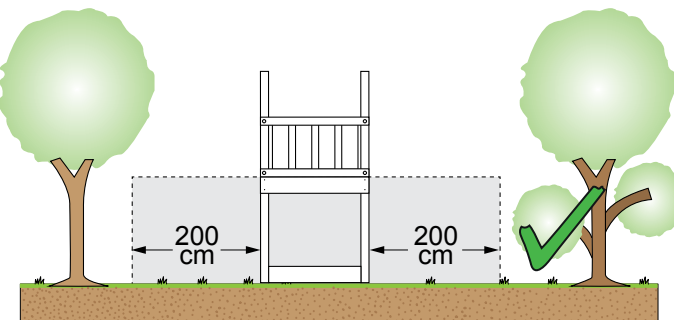
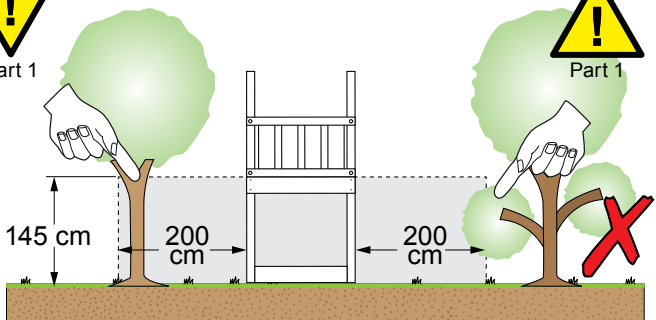


Part 1



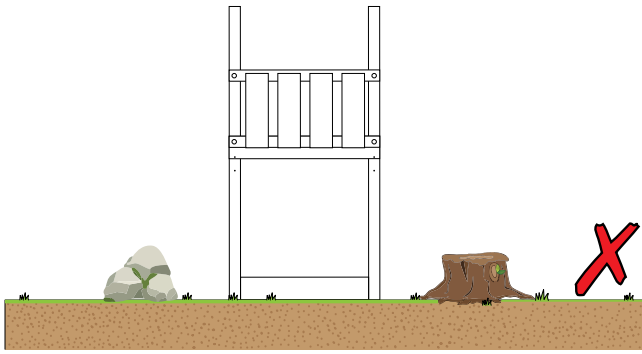
3 & 6

Part 1

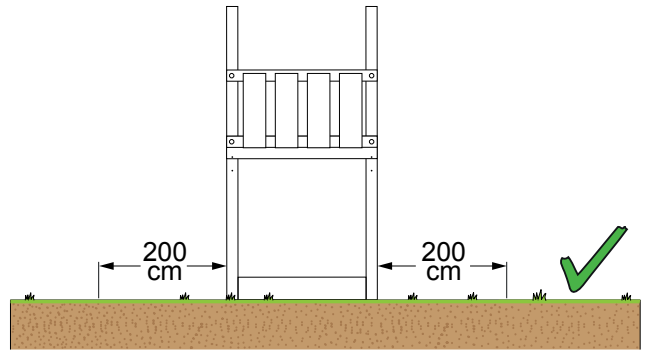




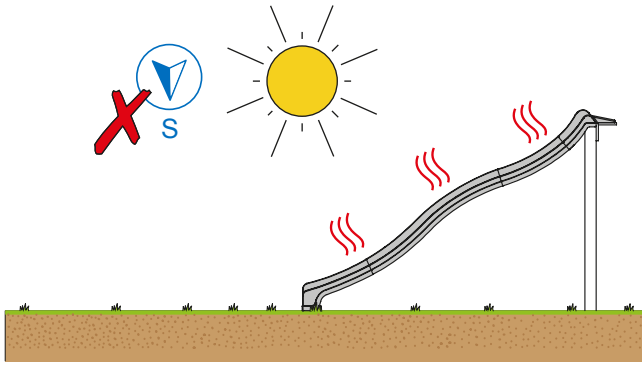
Part 1



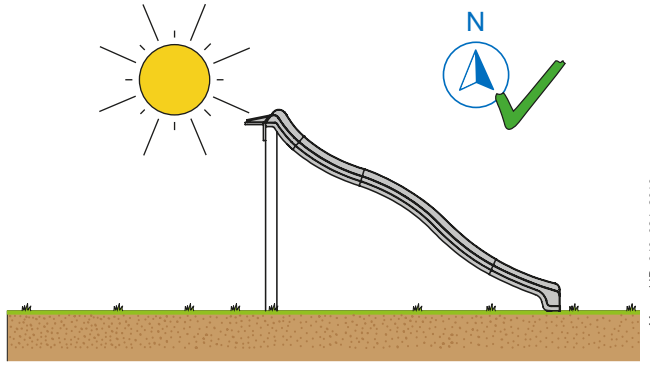
Part 1



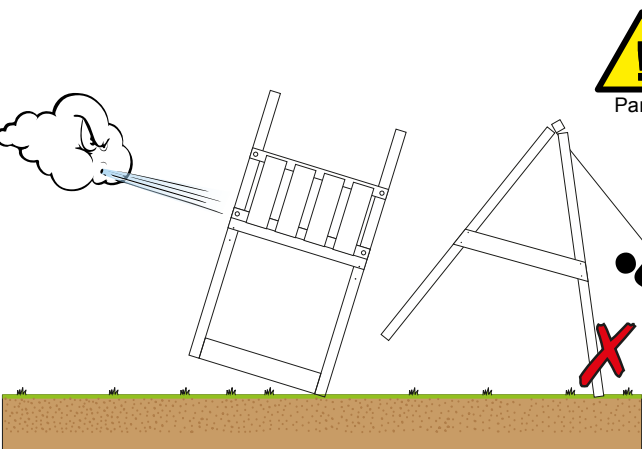
Part 1



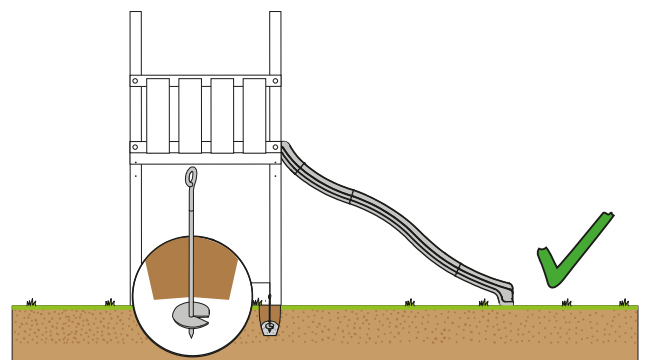
Part 1



Part 1



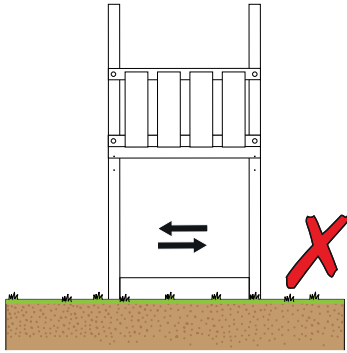
Part 1



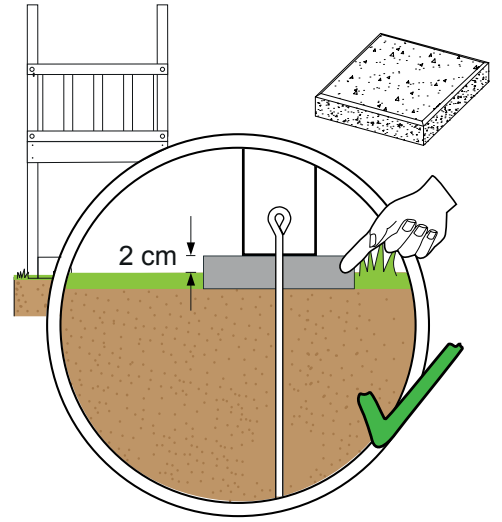
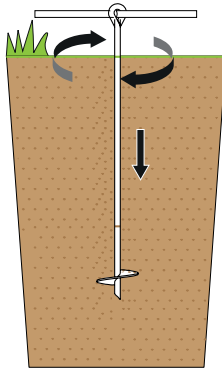
Manual ID: 040\_034\_2616



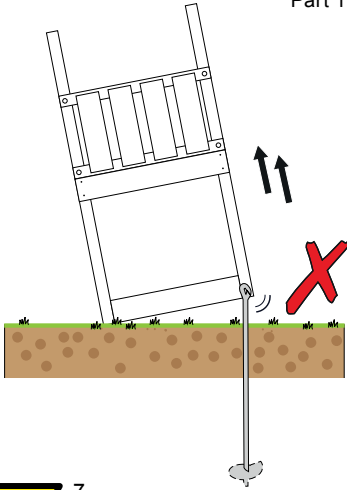
Part 1



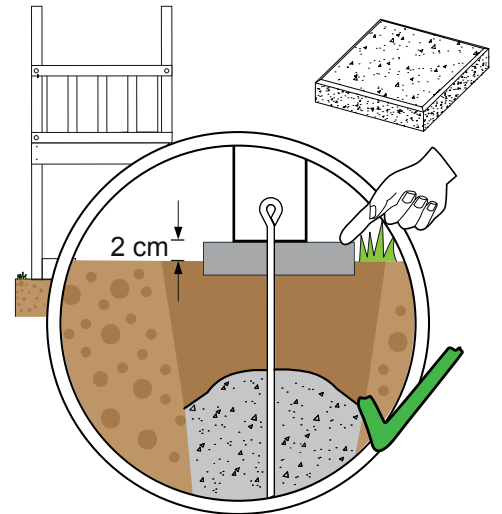
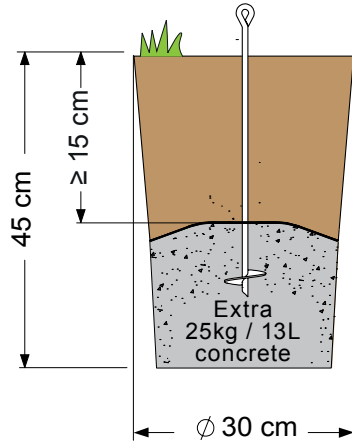
Part 1



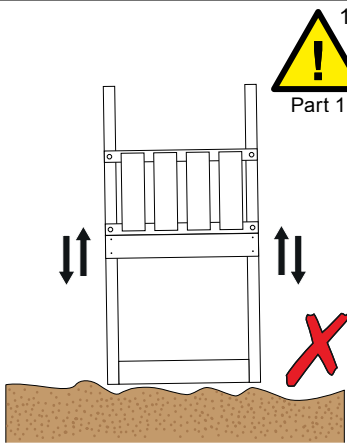
Part 1



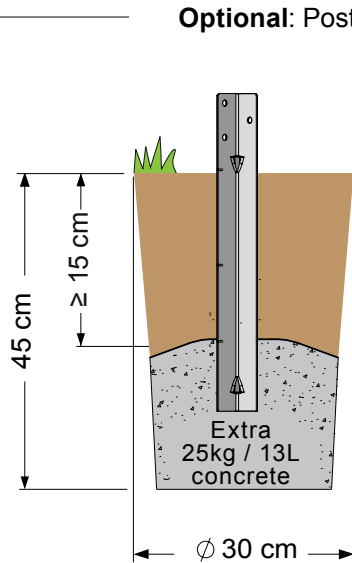
Part 1



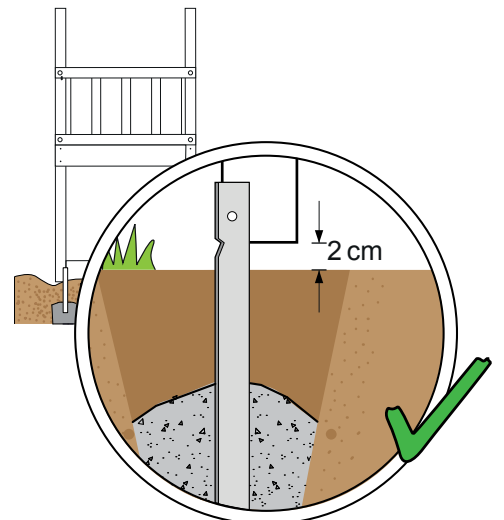
Part 1



Part 1



### Optional: Post anchors

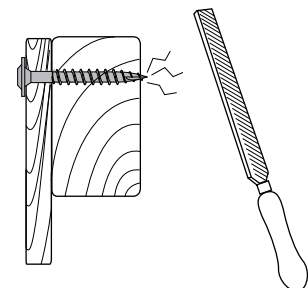
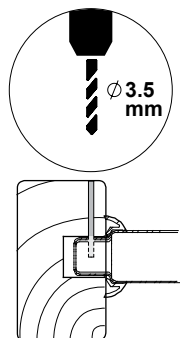
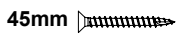
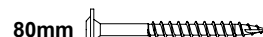
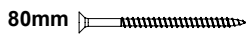
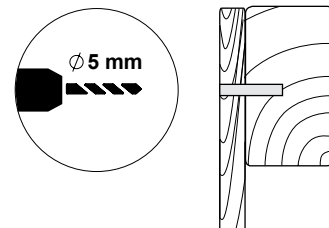
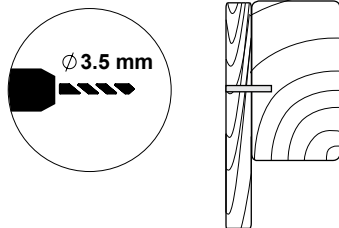
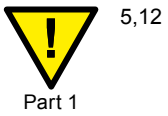
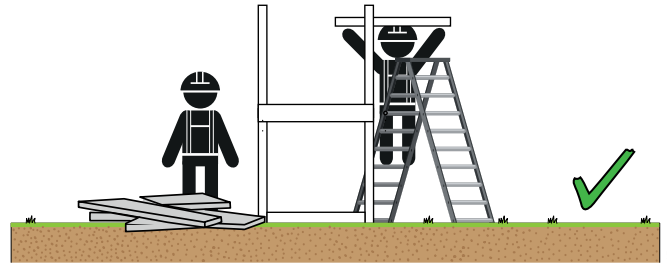
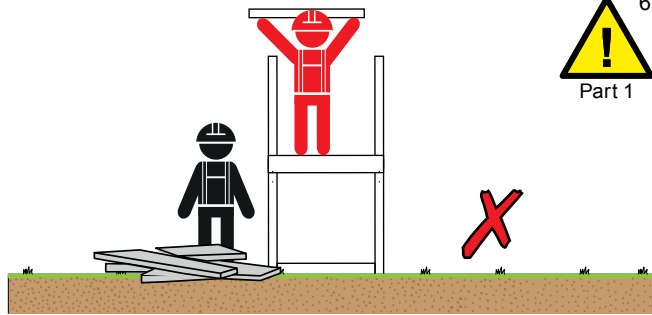
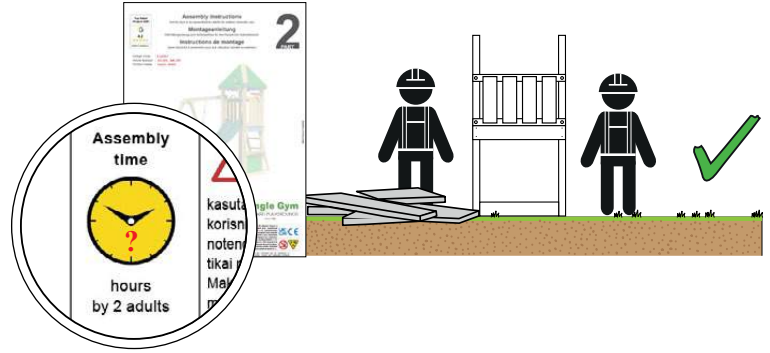
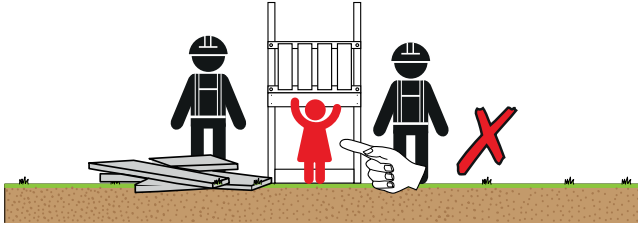
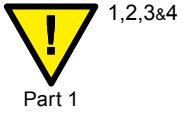




# Assembly and safety notices

## Montage- und Sicherheitshinweise

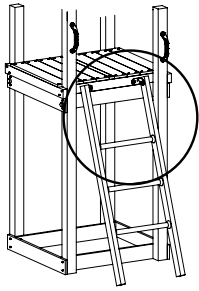
### Instructions de montage et de sécurité



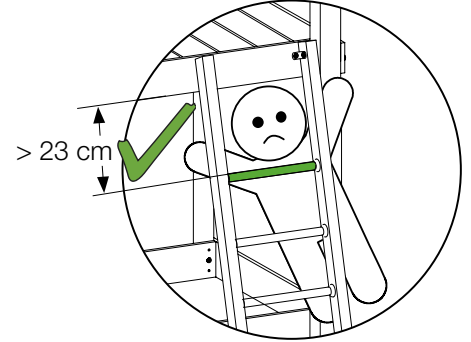
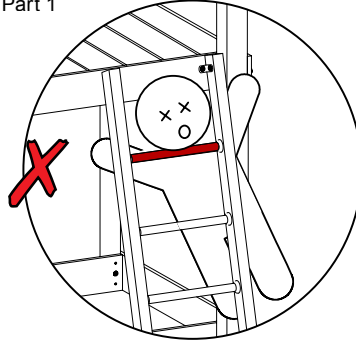
Manual ID: 040\_034\_2616



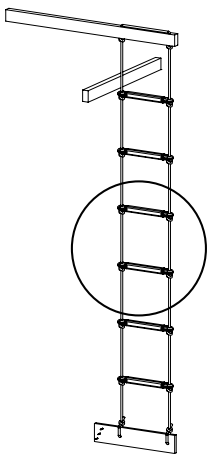
Part 1



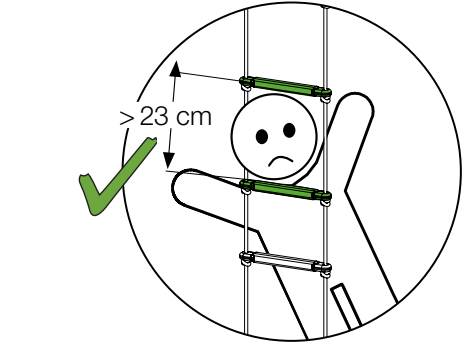
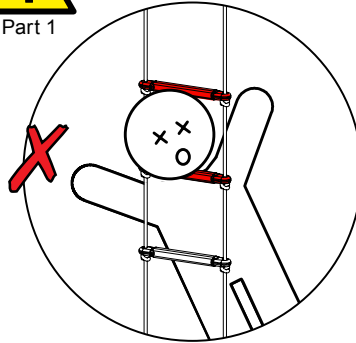
Part 1



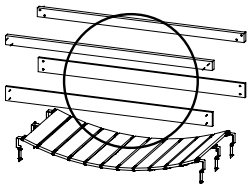
Part 1



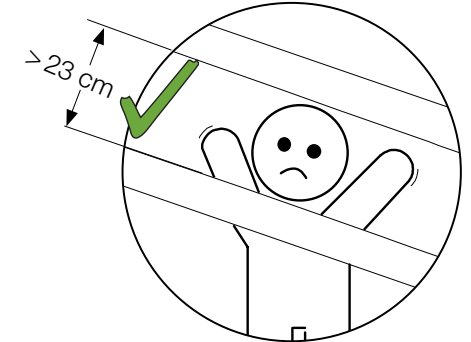
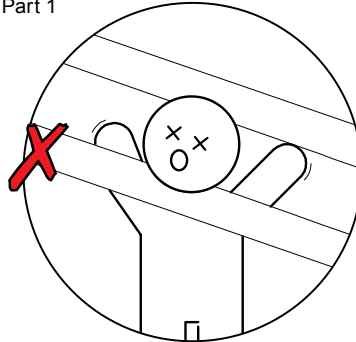
Part 1



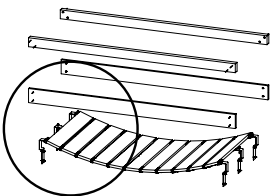
Part 1



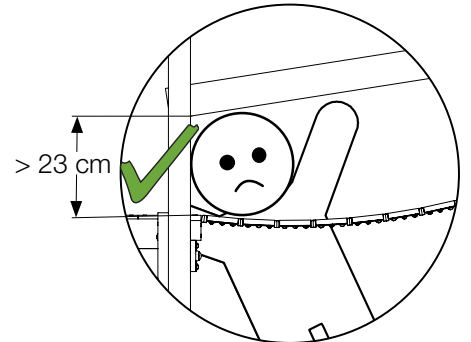
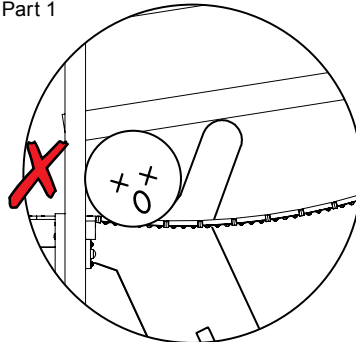
Part 1



Part 1



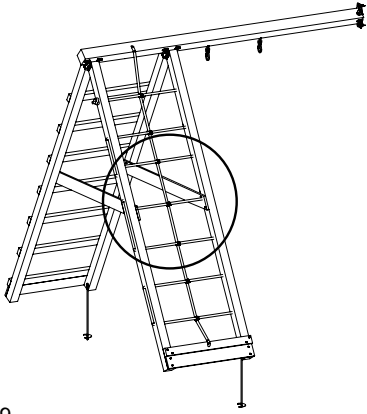
Part 1





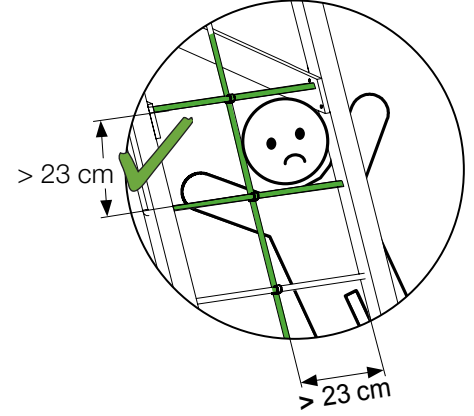
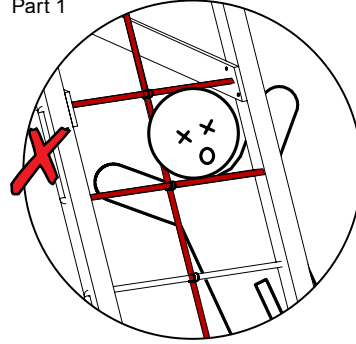
8&9

Part 1



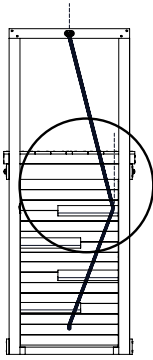
9

Part 1



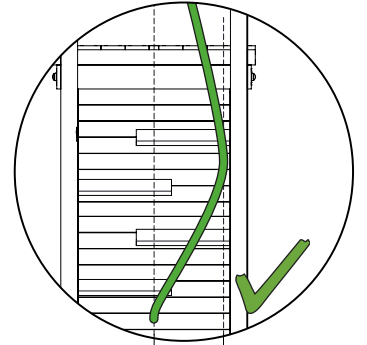
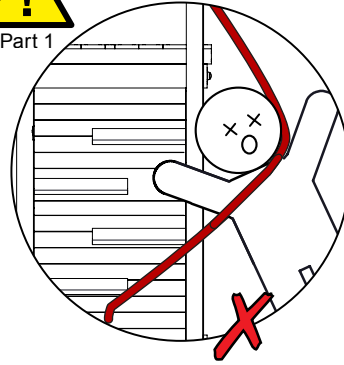
8&9

Part 1



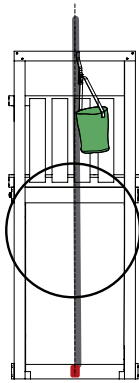
9

Part 1



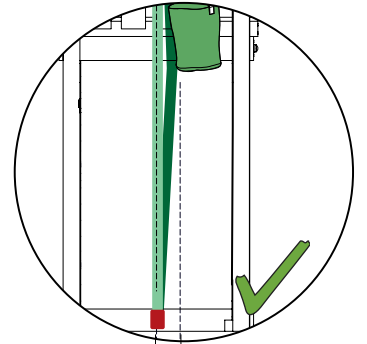
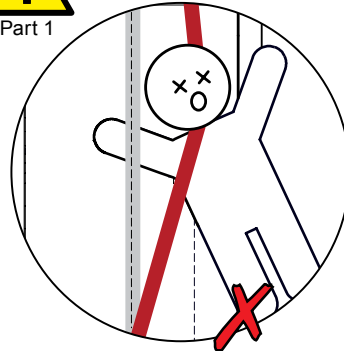
8&9

Part 1



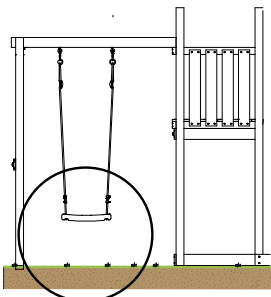
9

Part 1



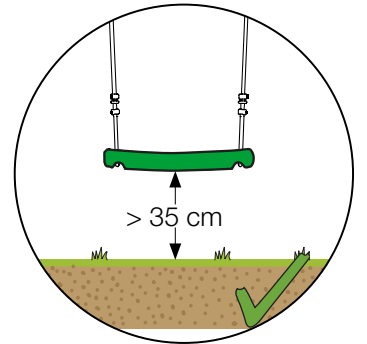
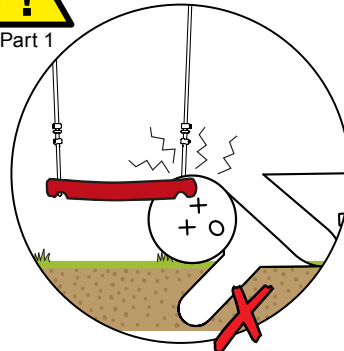
8&9

Part 1



3

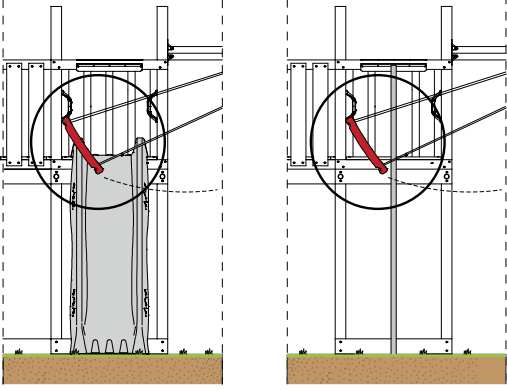
Part 1





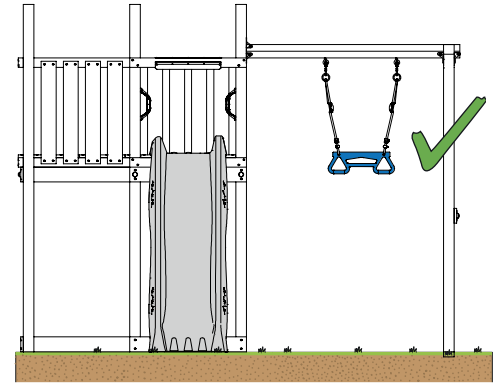
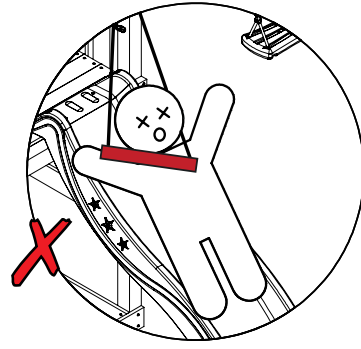
10

Part 1



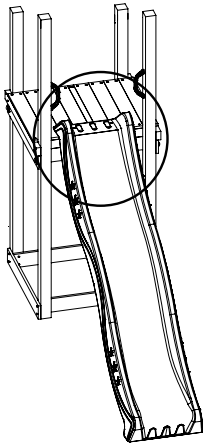
4&9

Part 1



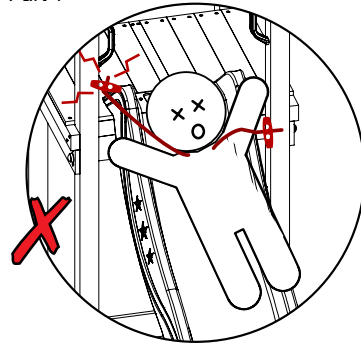
10

Part 1

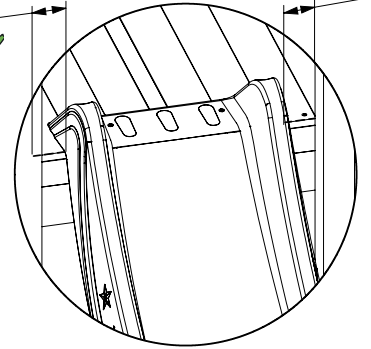


4&9

Part 1



min. 26 mm  
max. 75 mm

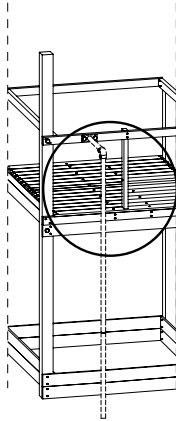


min. 26 mm  
max. 75 mm



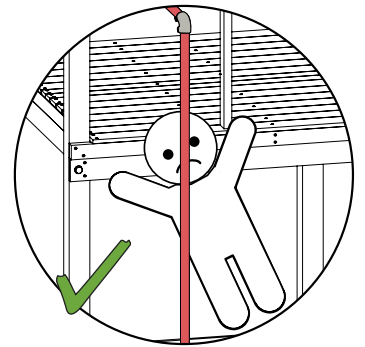
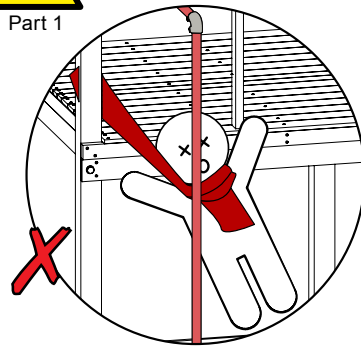
10

Part 1



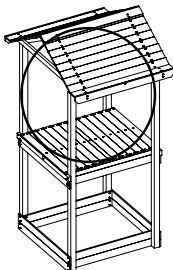
4&9

Part 1



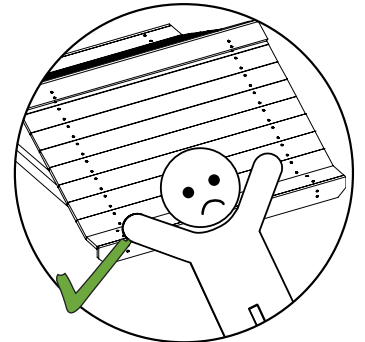
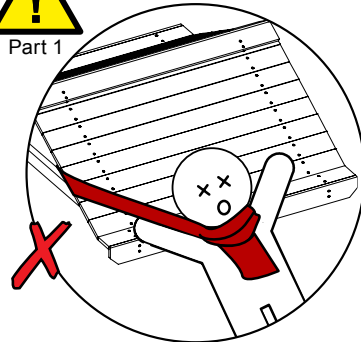
13

Part 1



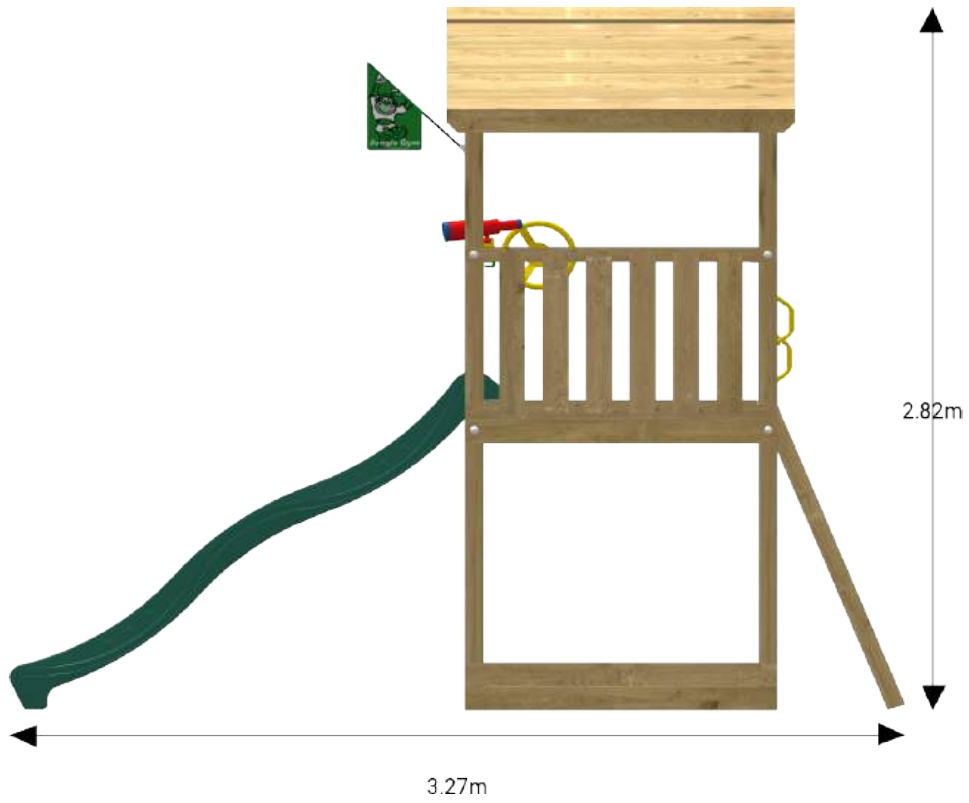
4&9

Part 1







# Dimensions Abmessungen Dimensions



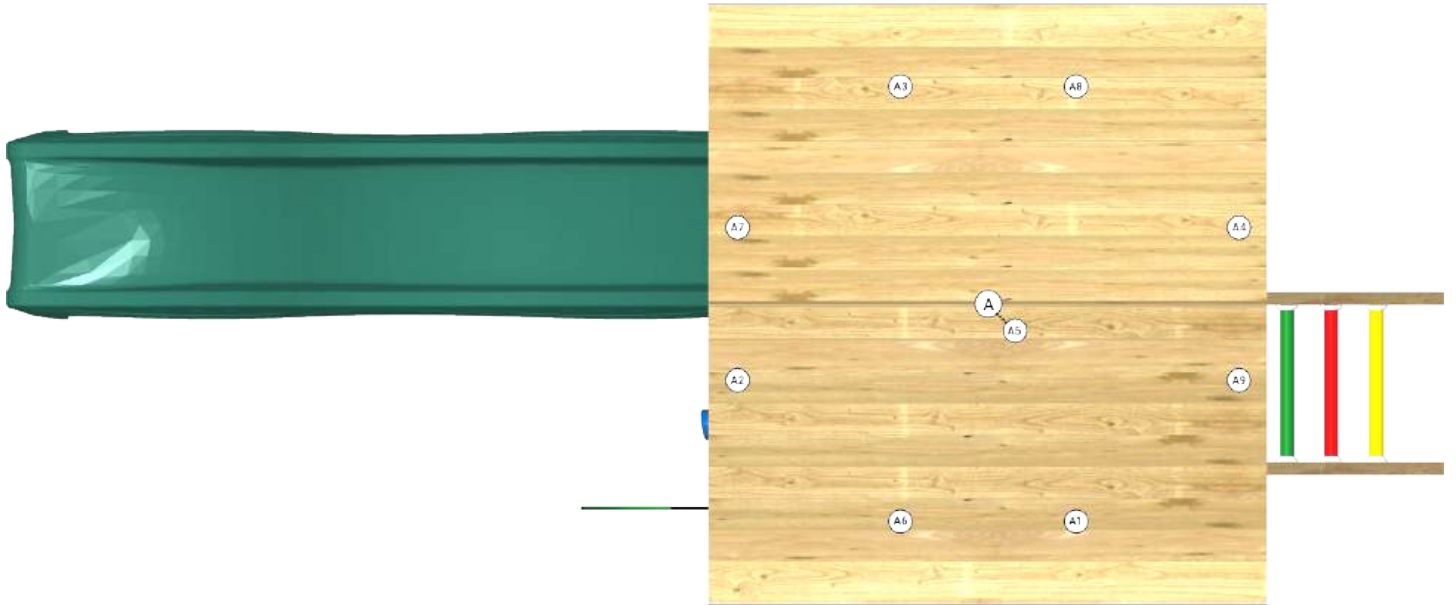







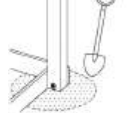
# Assembly sequence Montagereihenfolge Séquence d'assemblage

3D | 360°  
View





Scan | Click



	Print ID			Positions
1	BT11a		p.19	(A)
2	BL04a		p.22	(A6) (A8)
3	RF11b		p.23	(A5)
4	LA11a		p.27	(A9)
5	SL06a		p.30	(A7)
6	GA		p.34	(A)

Manual ID: 040\_034\_2616

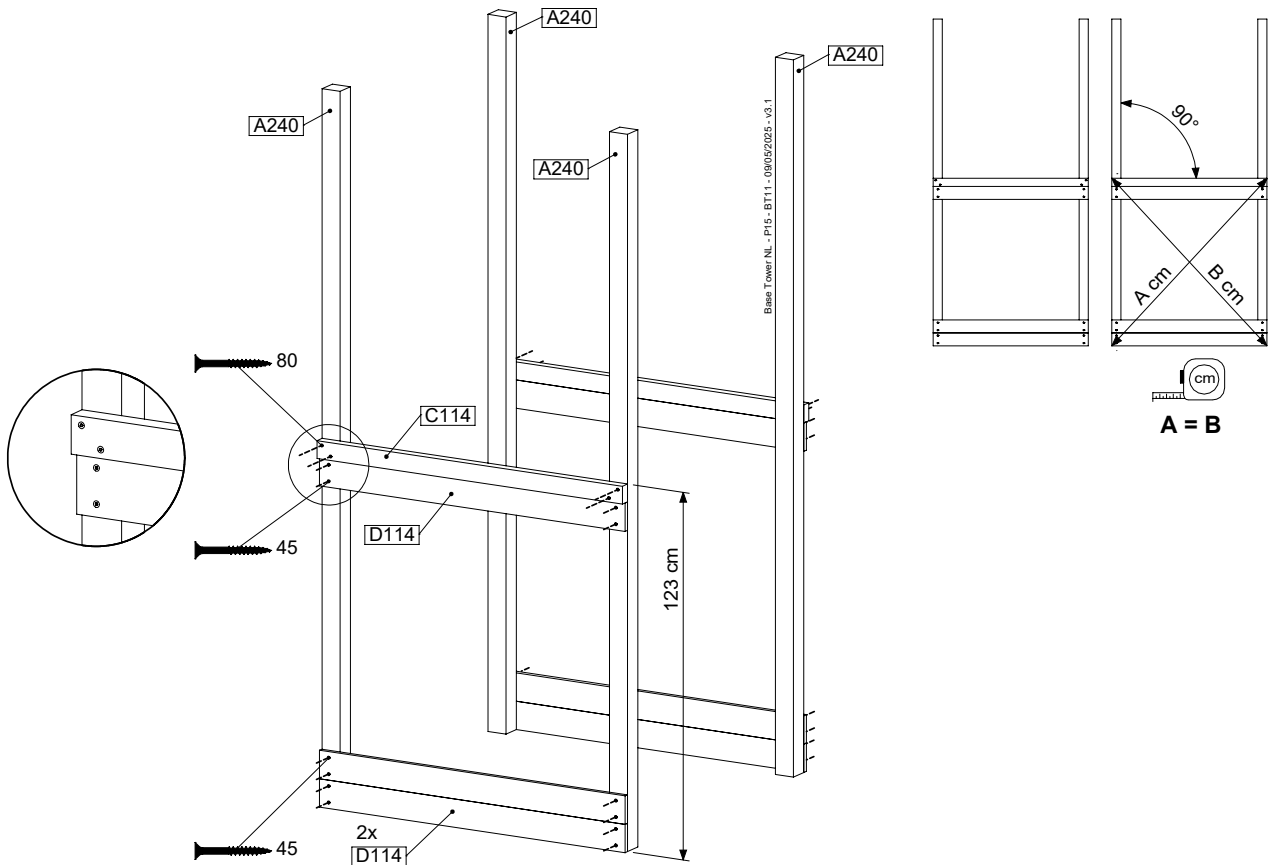
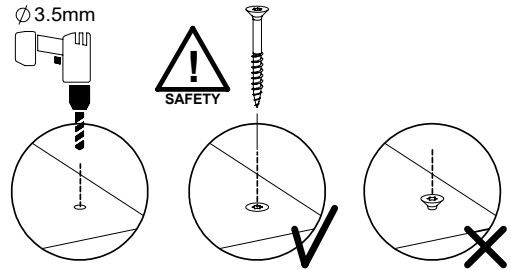
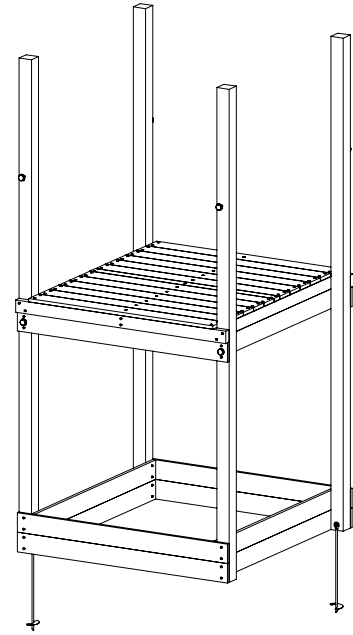
	Print ID			Positions
7	AC01a		p.36	(A)

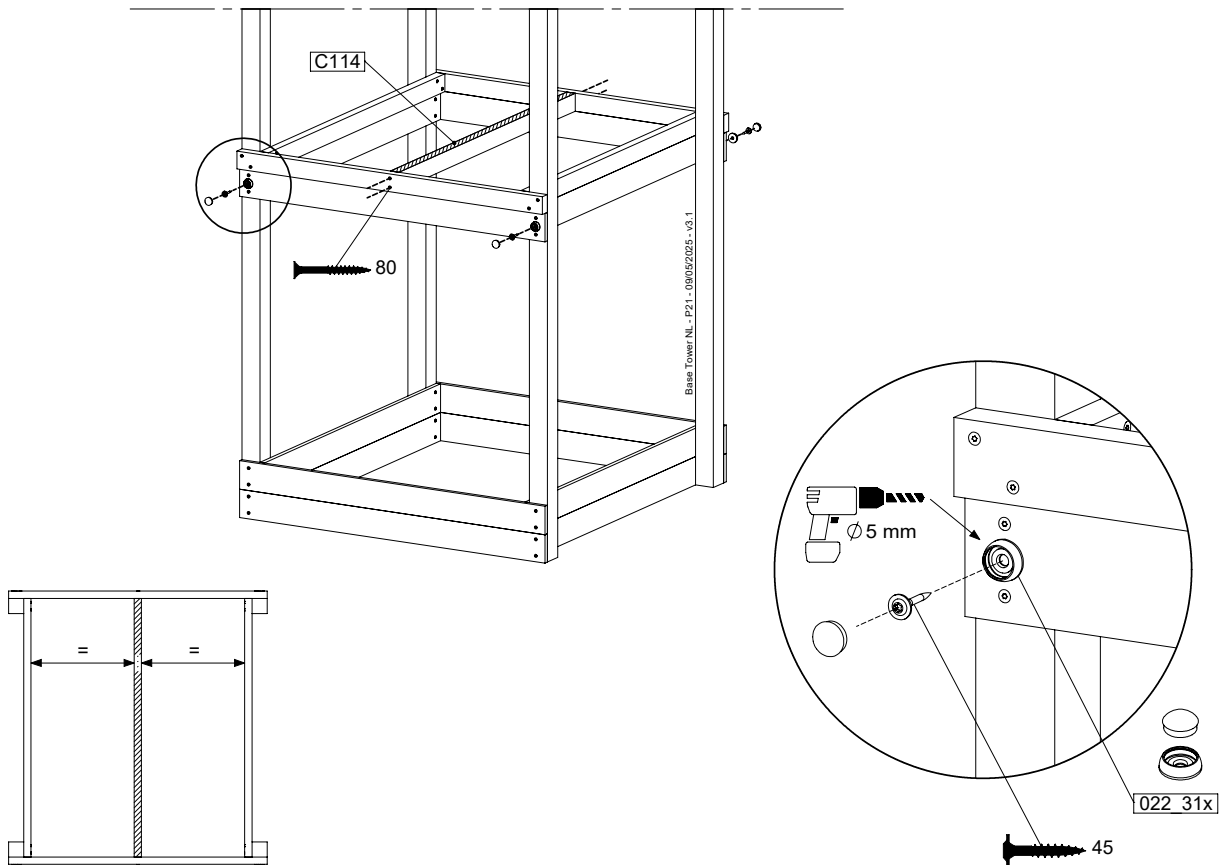
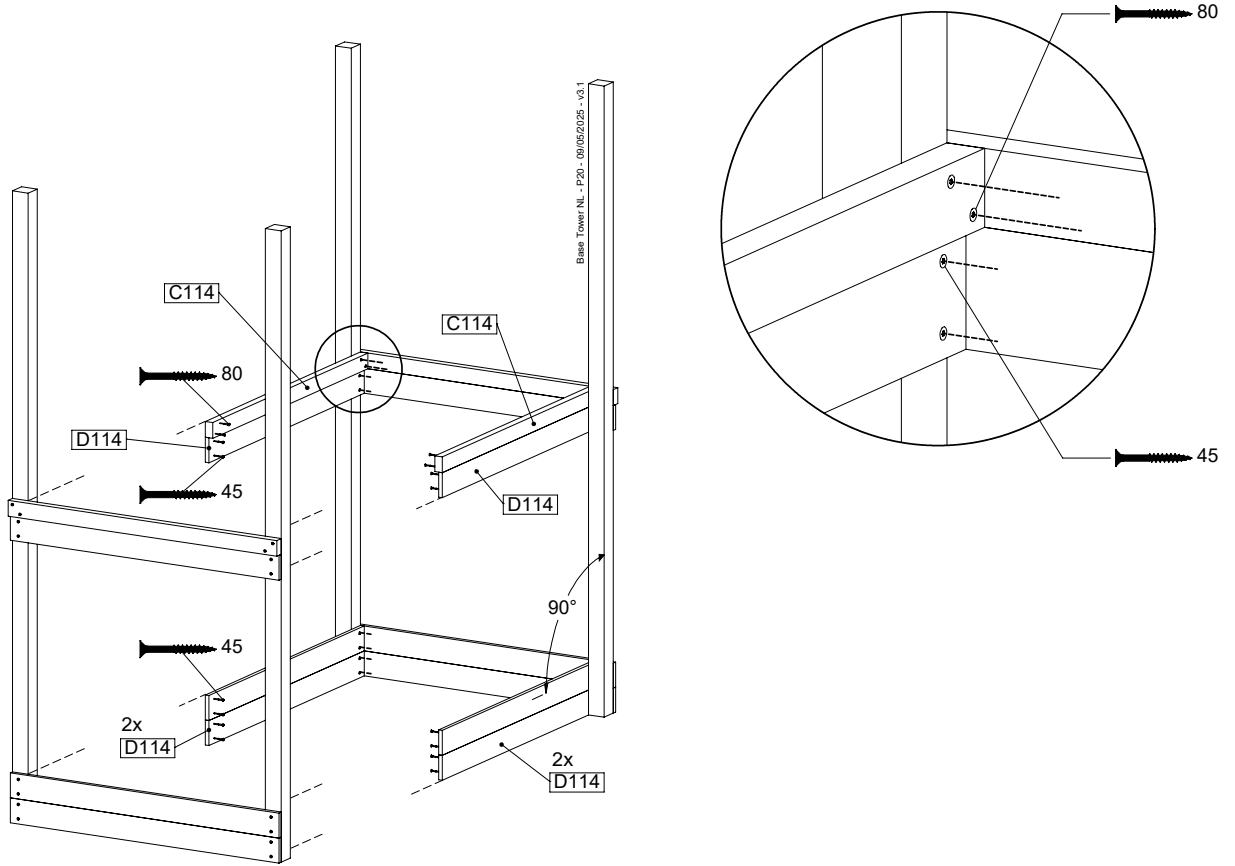
# 1 BT11a: Base Tower 115 125cm 240240

Assembly Pack: 194\_300

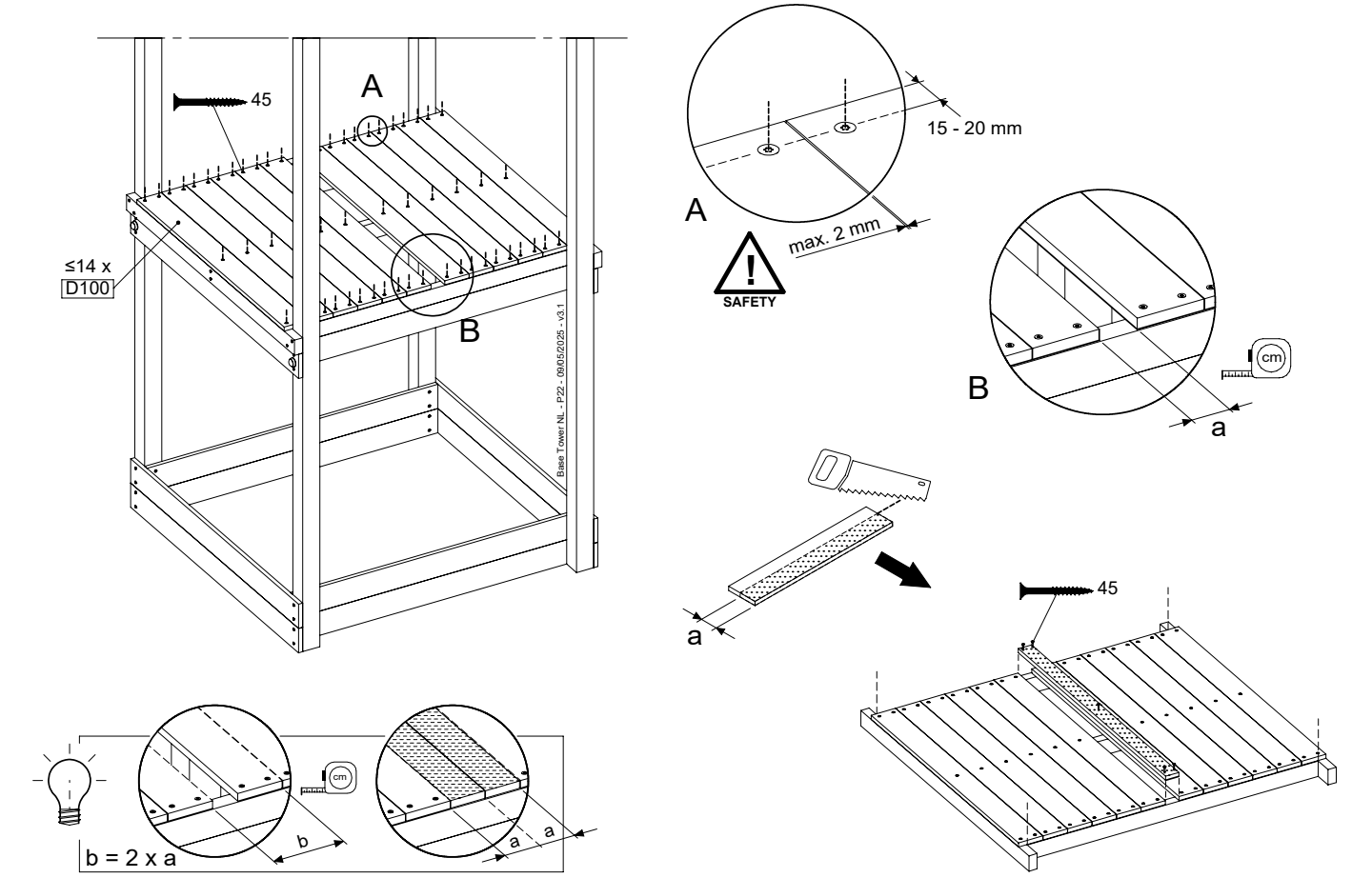
	PartNo	PartName	QTY.
Hardware + Parts	001_406	Stealth Screw 8x45	6
	001_417	Stealth Screw 8x80	4
	002_220	Gap Point Screw T25 - 5x45	118
	002_223	Gap Point Screw T25 - 5x80	20
	022_31x	bpc-base version 3	8
	022_84x	bpc cover	8
	007_001	Ground-anchor	2
Timber	A240	Post ca.70x70 L2400	4
	C114	Beam 1140 mm	5
	D100	Board 1000 mm	14
	D114	Board 1140 mm	12

Base Tower NL - P15 - BT11 - 08052025 - v3.1





# 1.2

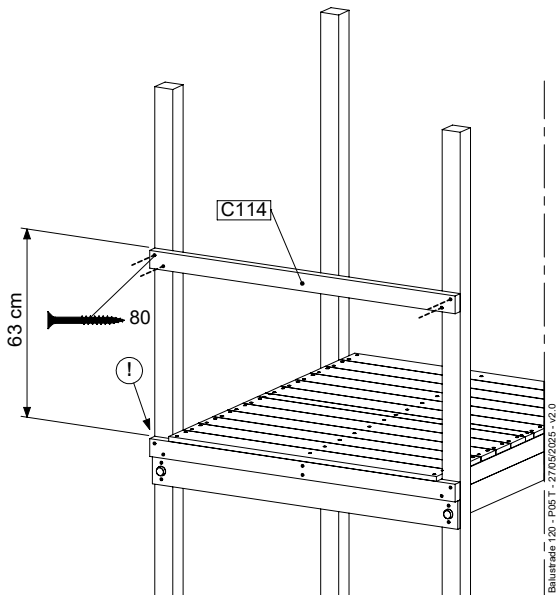
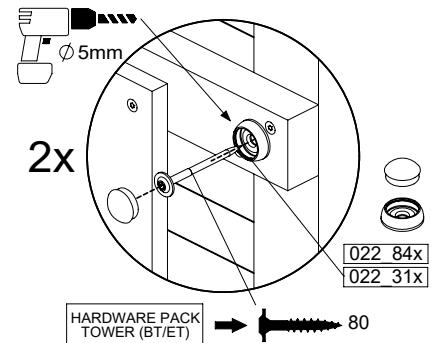
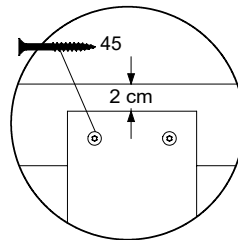
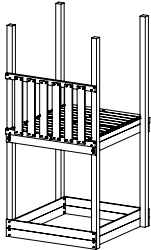
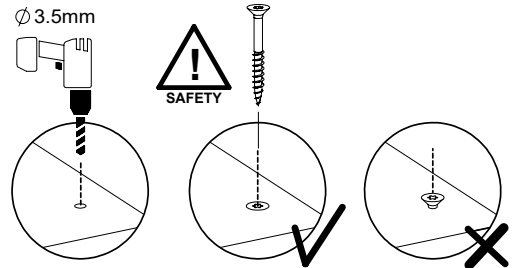
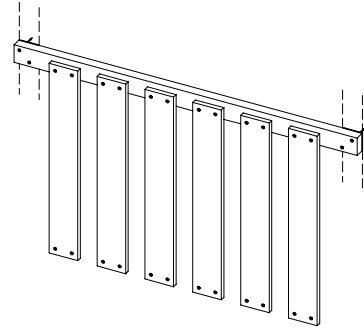


## 2 BL04a: Balustrade 115 T

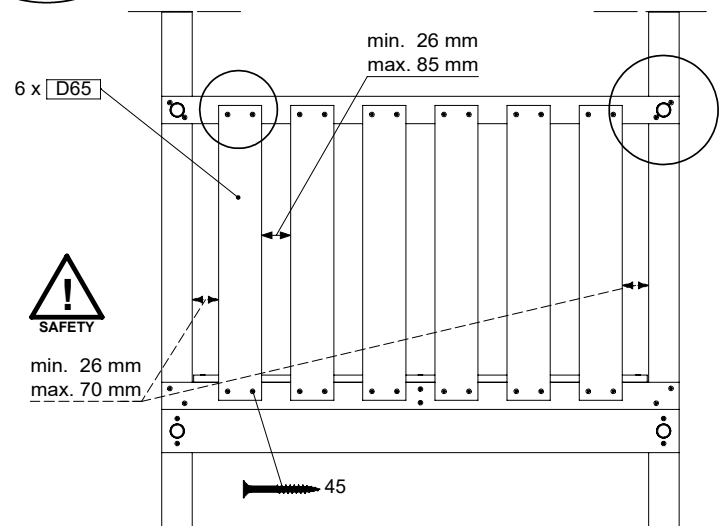
Assembly Pack: 194\_501

	PartNo	PartName	QTY.
Hardware + Parts	002_220	Gap Point Screw T25 - 5x45	24
	002_223	Gap Point Screw T25 - 5x80	4
Timber	C114	Beam 1140 mm	1
	D65	Board 650 mm	6

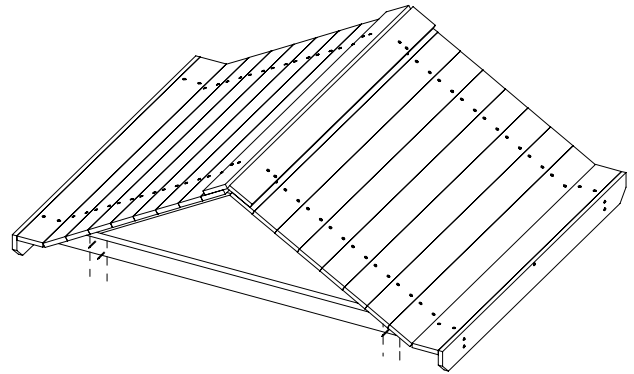
Balustrade 120 - P03 T - 27/05/2025 - v2.0



Balustrade 120 - P05 T - 27/05/2025 - v2.0



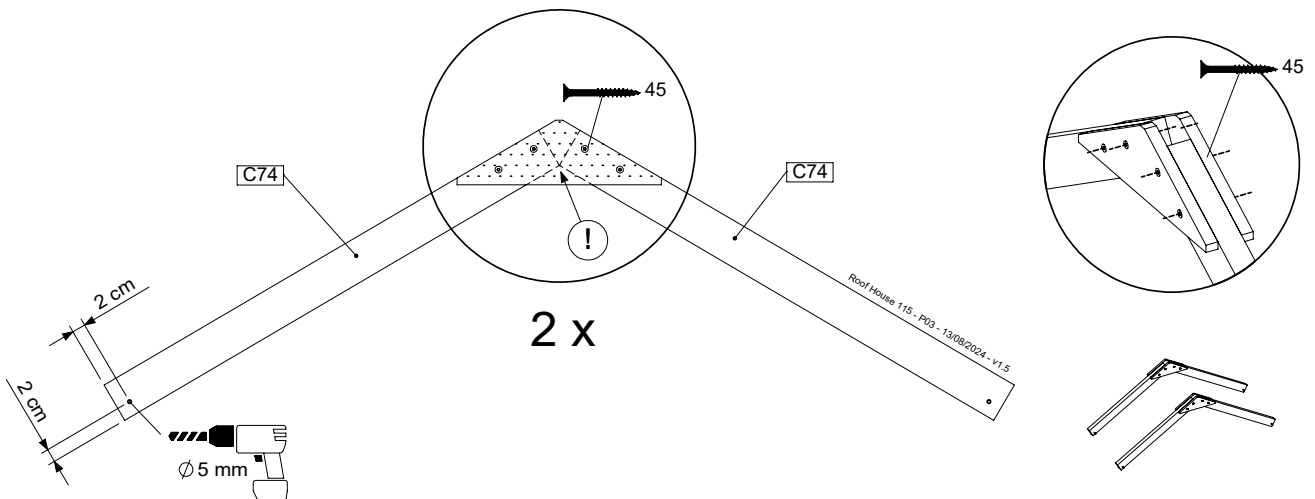
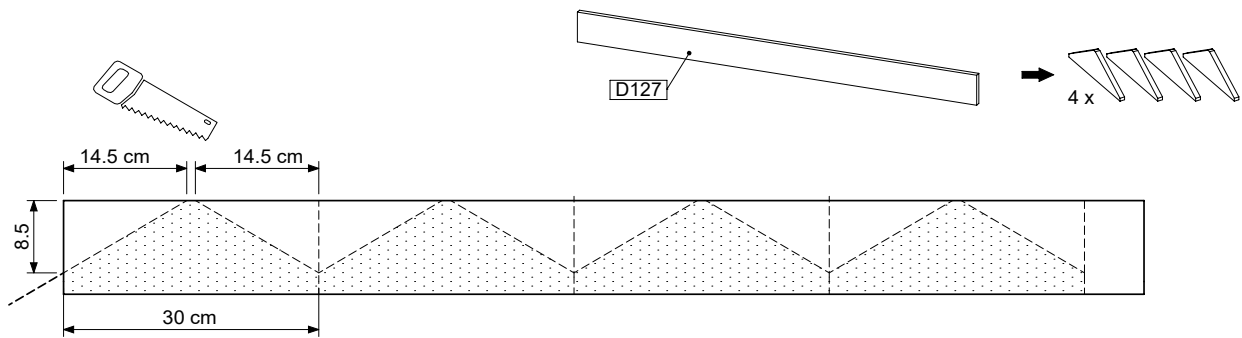
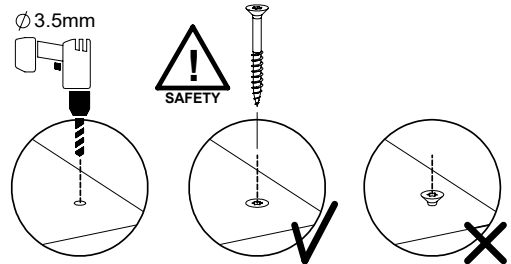
### 3 RF11b: Roof Timber Ridge 115 - 2.0



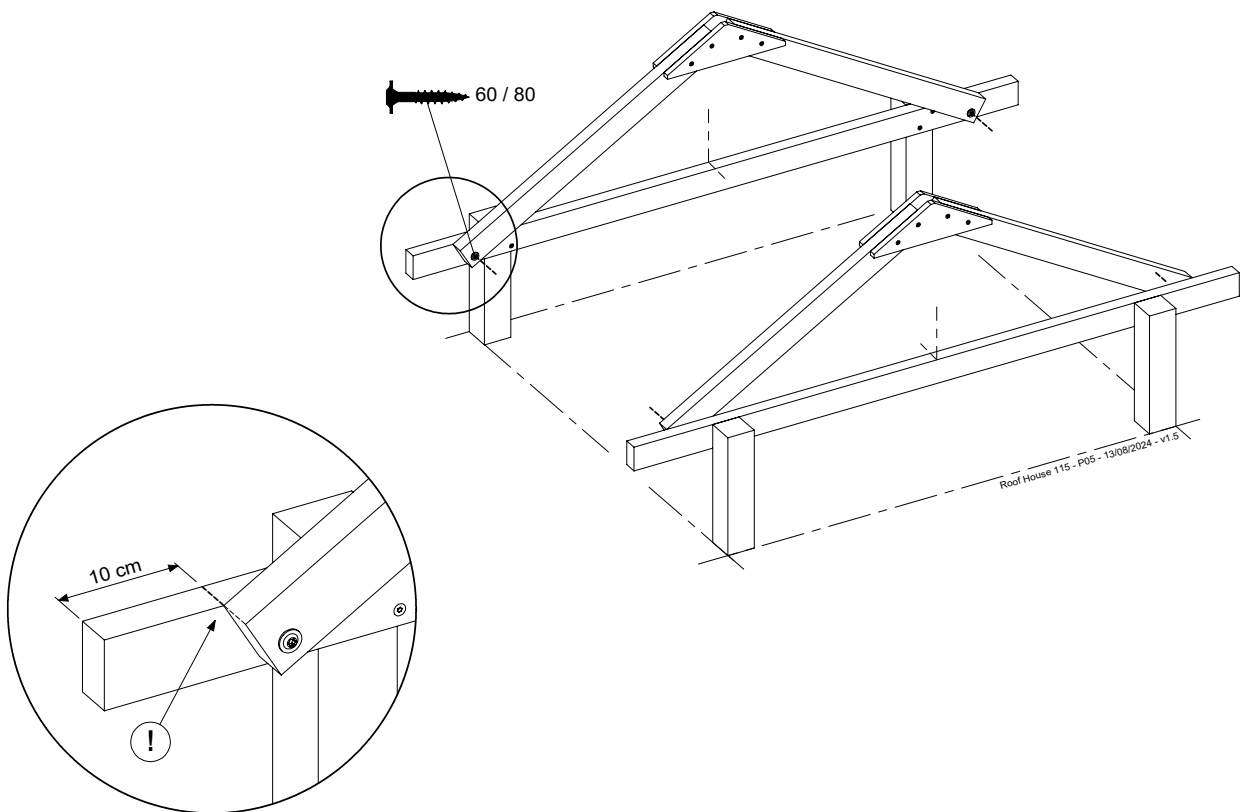
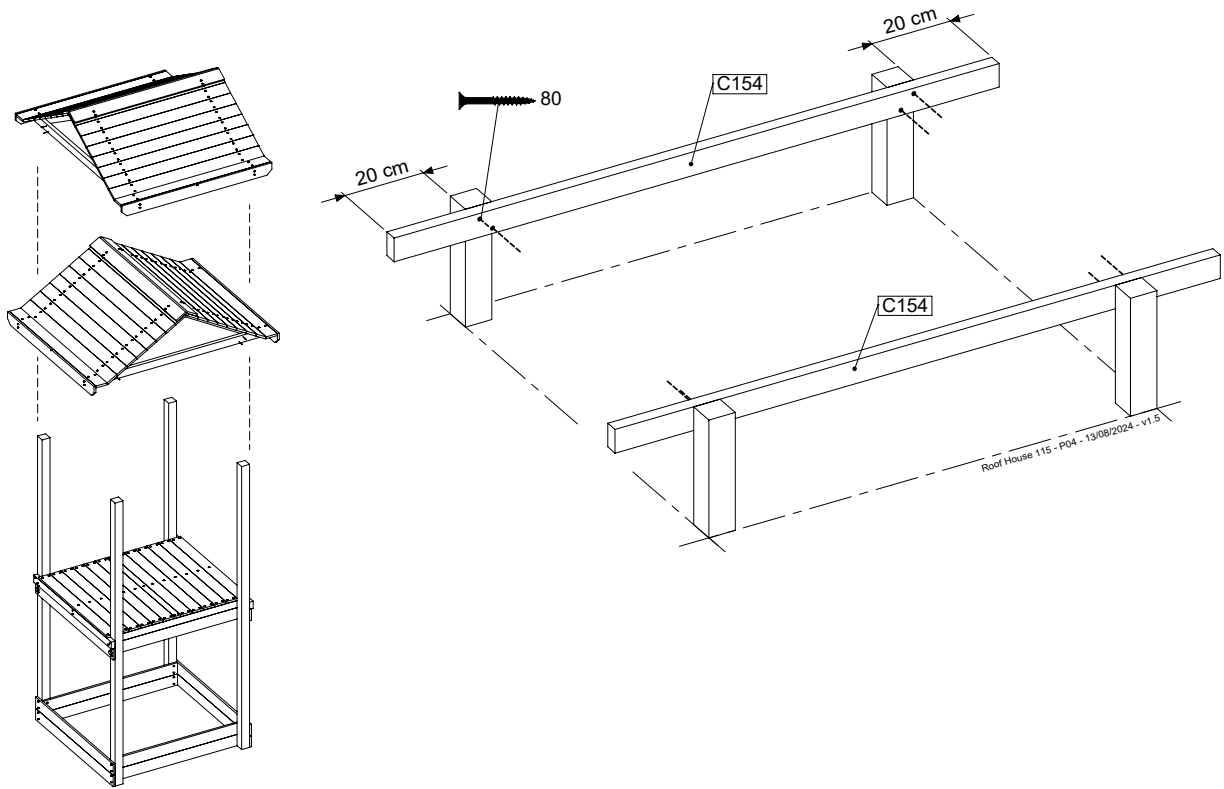
Assembly Pack: 194\_308 / 194\_804

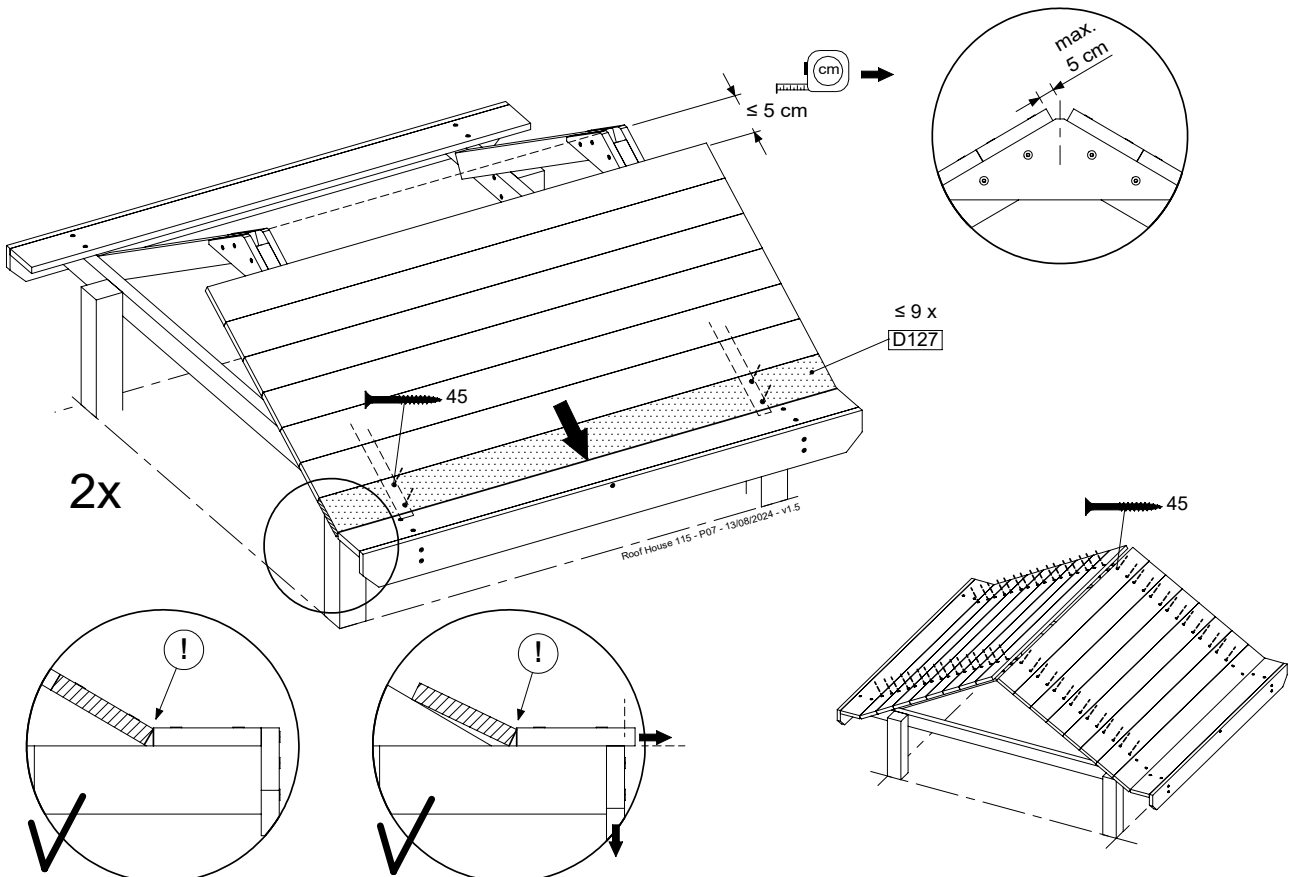
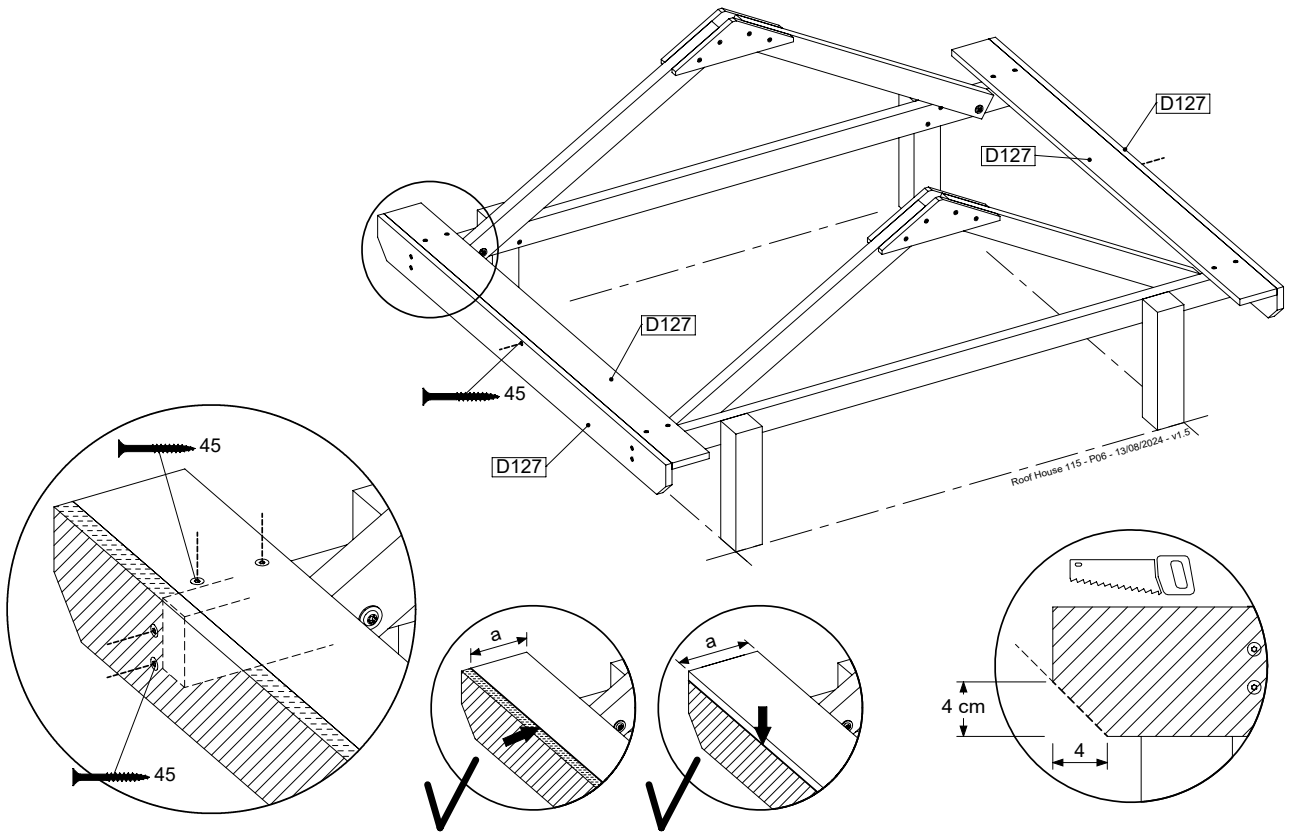
	PartNo	PartName	QTY.
Hardware Pack	001_411	Stealth Screw 8x60	4
	001_417	Stealth Screw 8x80	4
	002_220	Gap Point Screw T25 - 5x45	106
	002_223	Gap Point Screw T25 - 5x80	16
Timber	C74	Beam 740 mm	4
	C154	Beam 1540 mm	2
	D127	Board 1270 mm	25

Roof House 115 - P02 - 13/08/2024 - v1.5

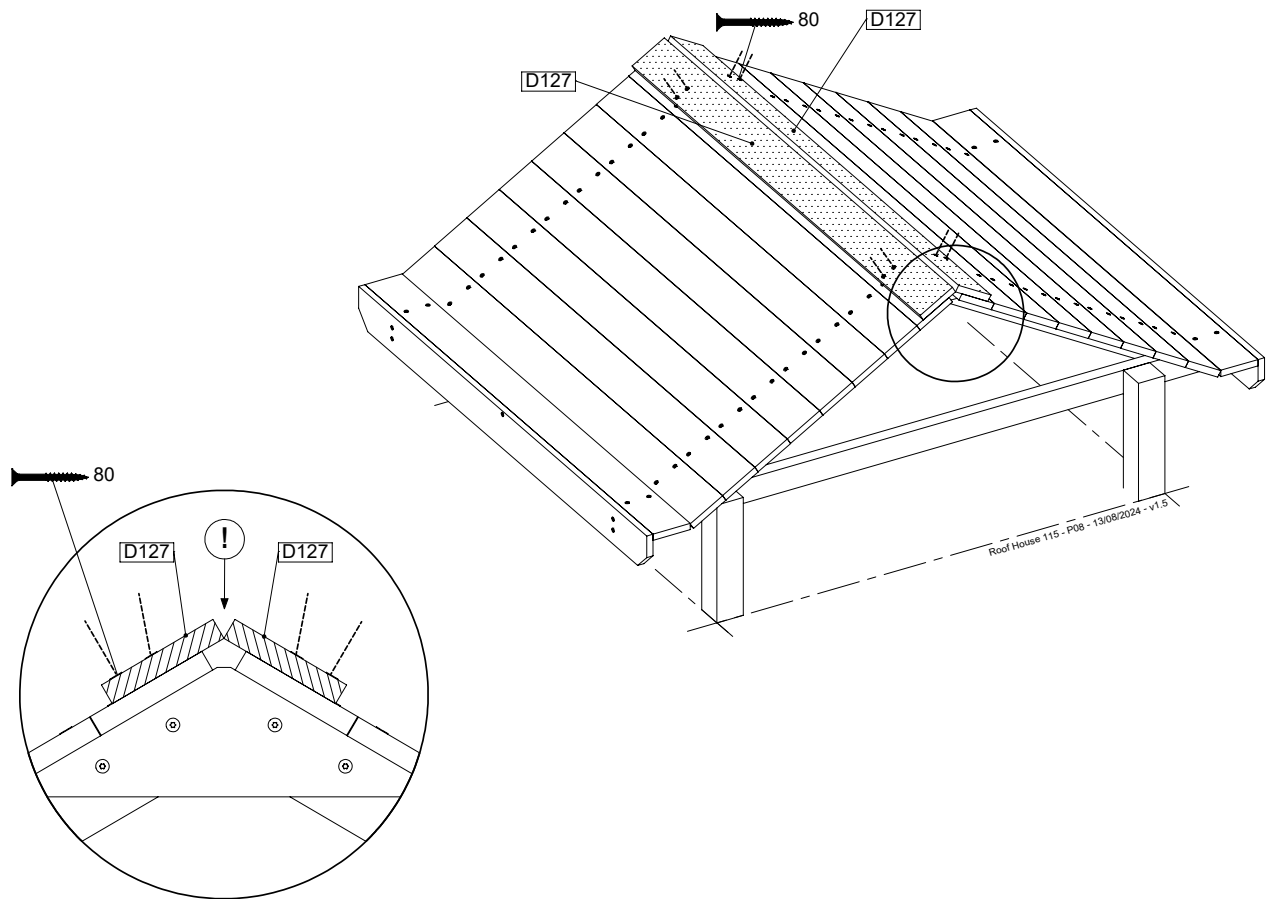


### 3.1





### 3.3

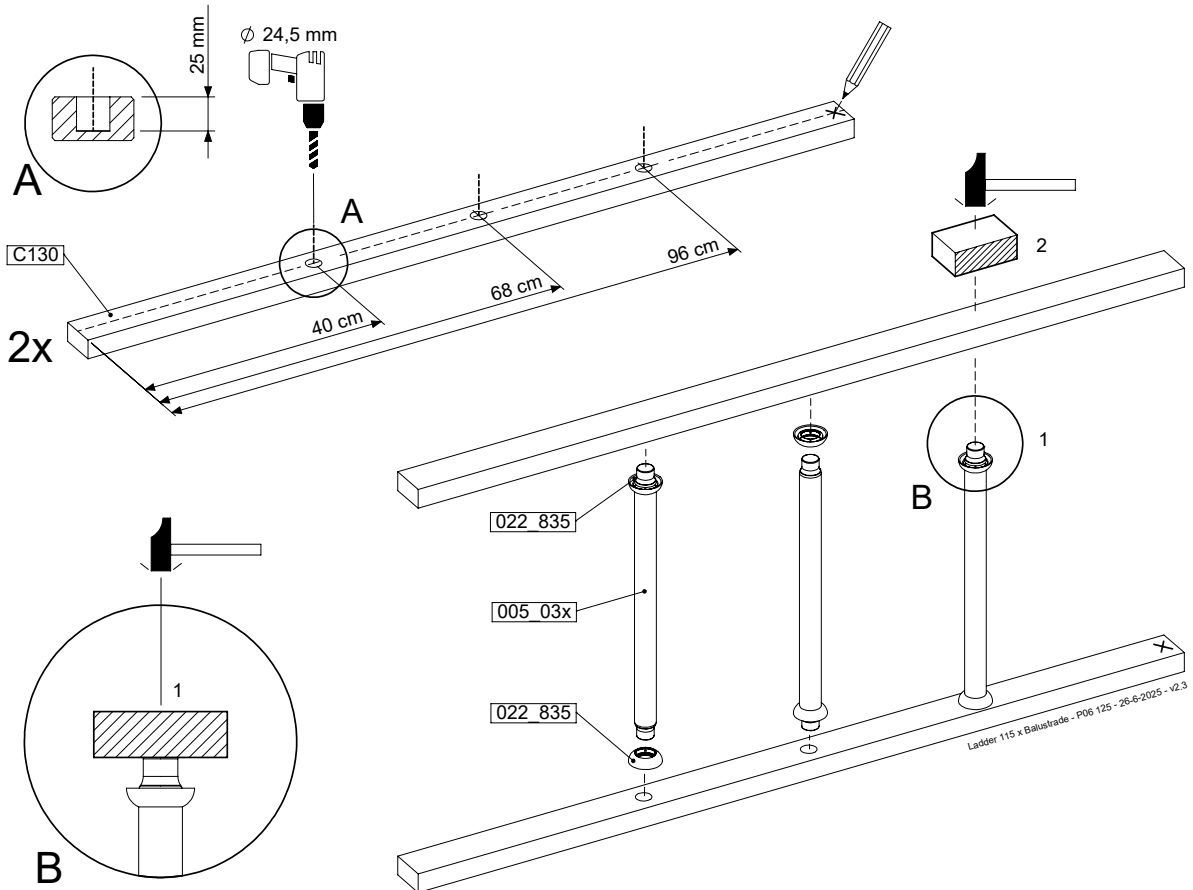
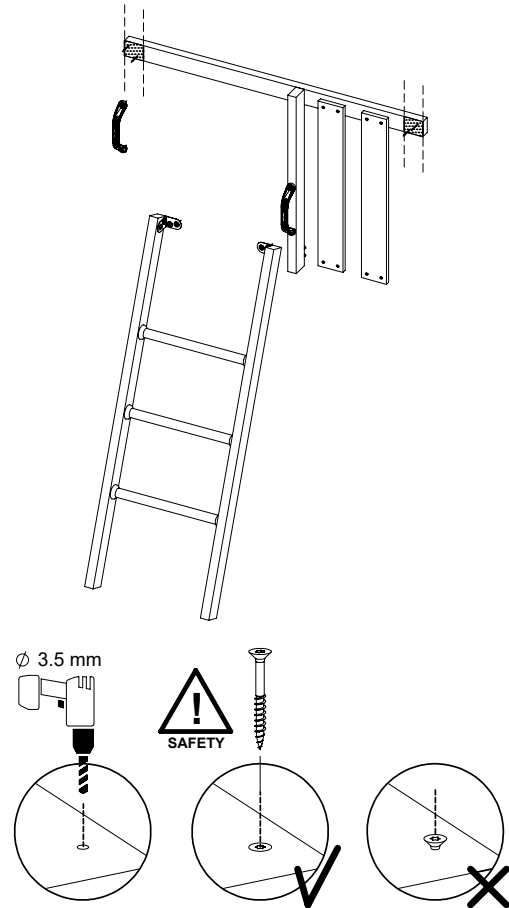


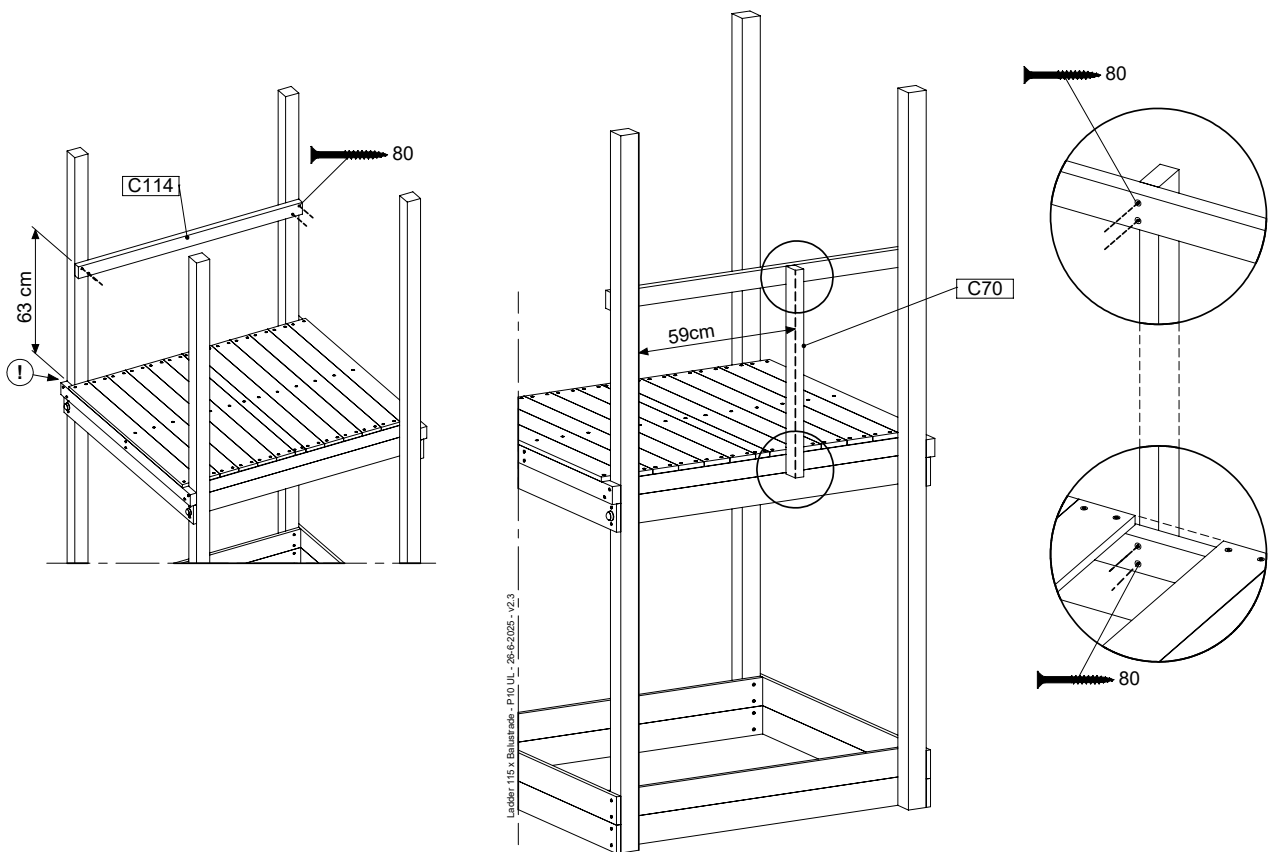
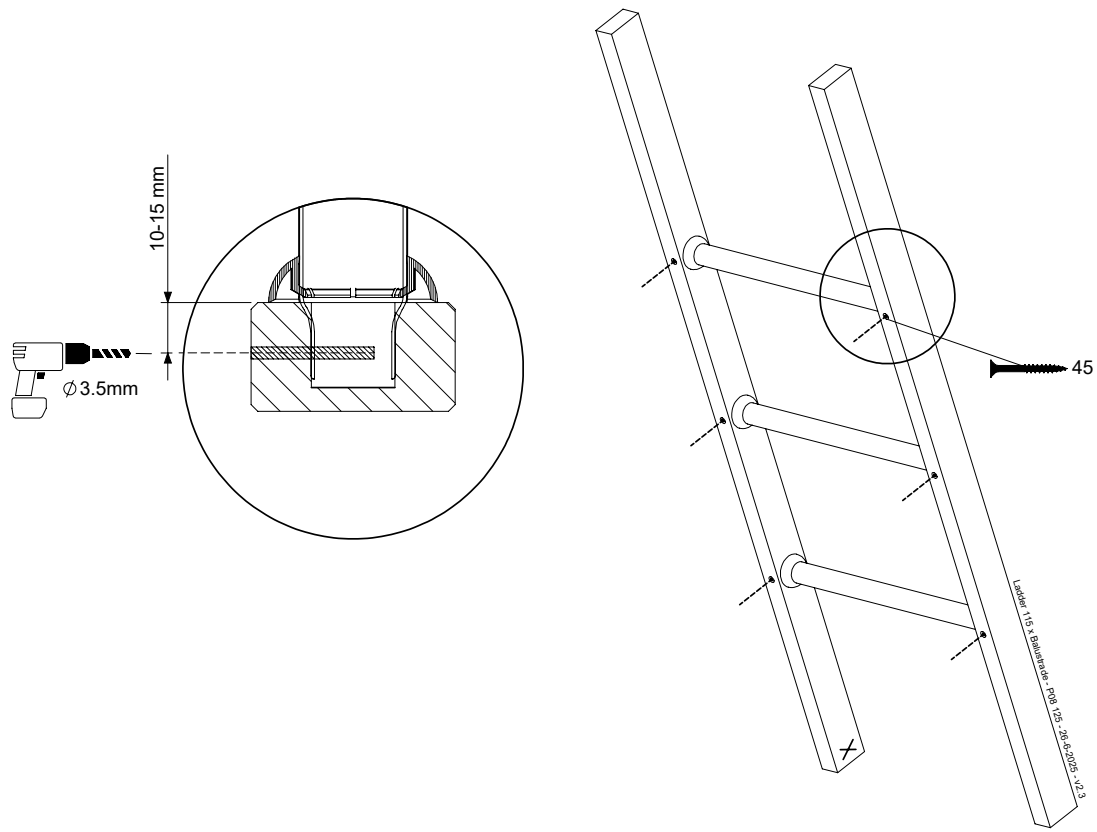
## 4 LA11a: Ladder 115 125 U Left

Assembly Packs: 194\_003 (LA11a) /194\_103 (LA11b) + 194\_101

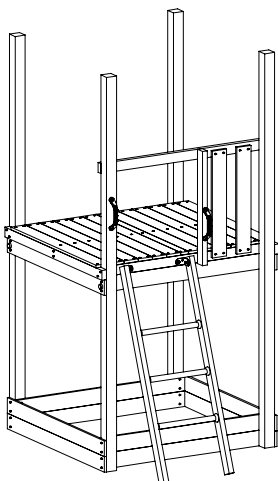
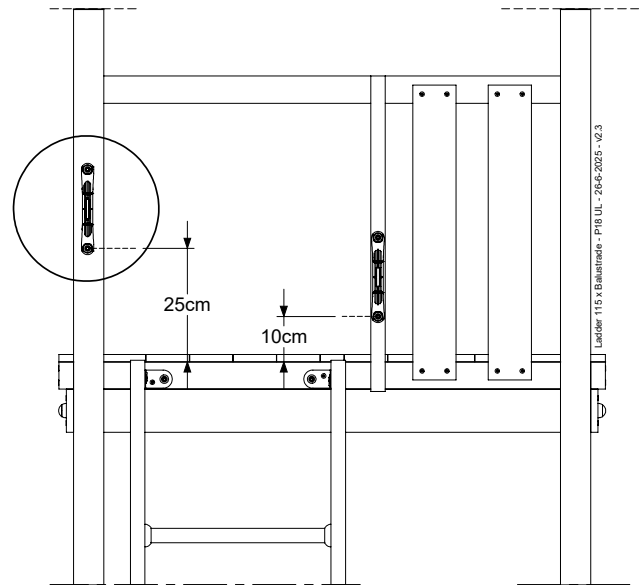
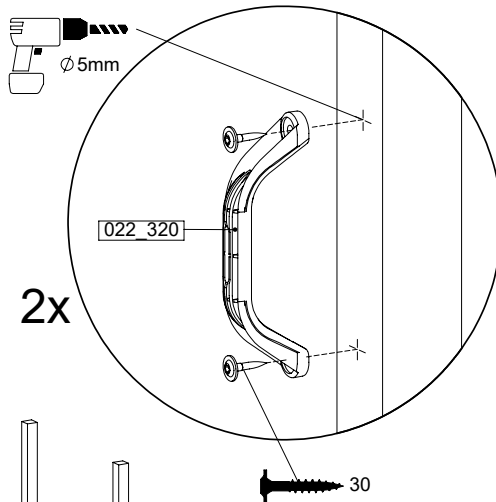
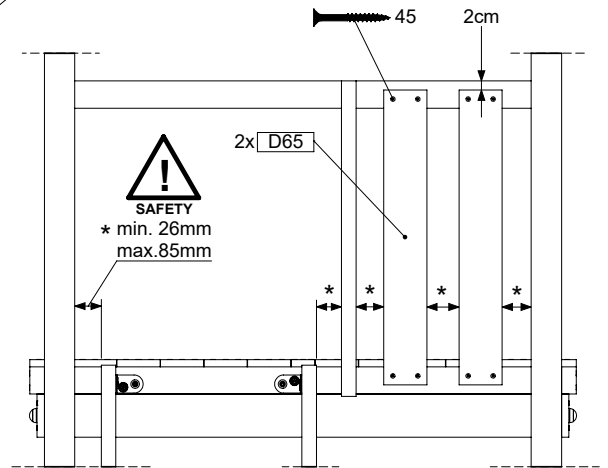
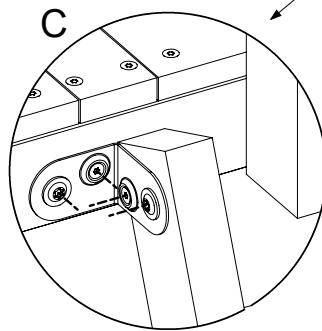
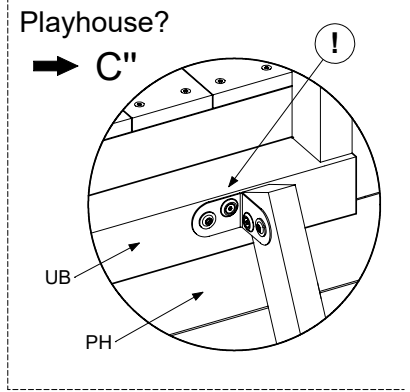
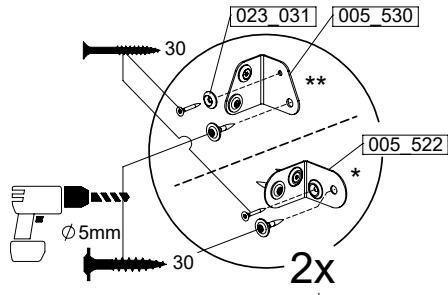
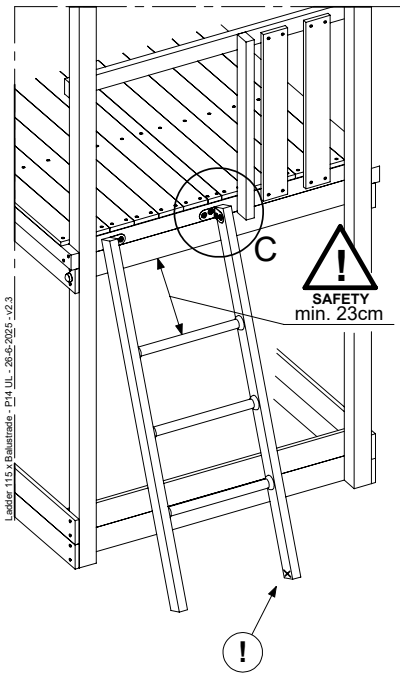
	PartNo	PartName	QTY.
Hardware + Parts	001_404	Stealth Screw 8x30	4
	002_219	Gap Point Screw T25 - 5x30	4
	002_220	Gap Point Screw T25 - 5x45	14
	002_223	Gap Point Screw T25 - 5x80	8
	005_03x	Ladder Rung Y/B/G/R	3
	005_522* /	Connection Bracket Mini Market /	2
	005_530**	Connection Bracket Ladder + 2x 023_031 Finishing Washer GPS 5.0	
	022_835	Rung Cap	6
120_102	Handgrip set (complete 2x)	1	
Timber	C70	Beam 700 mm	1
	C114	Beam 1140 mm	1
	C130	Beam 1300 mm	2
	D65	Board 650 mm	2

Ladder 115 x Baustrade - P06 UI125 - 26-6-2025 - v2.3





Ladder 115 x Balustrade - P10 UL - 26.6-2025 - v2.3

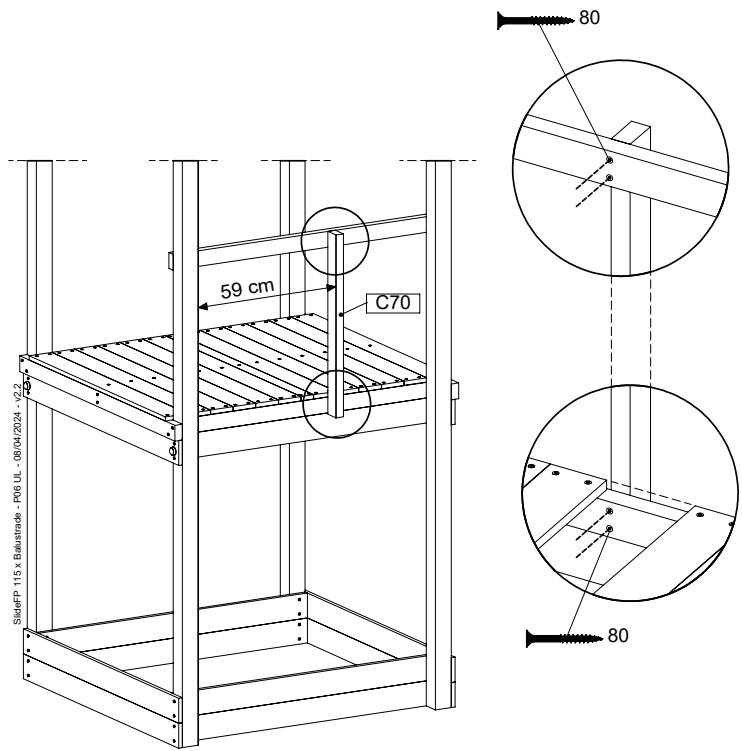
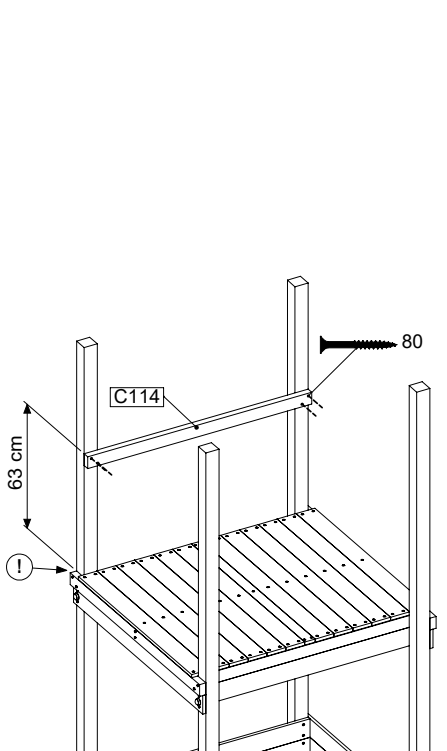
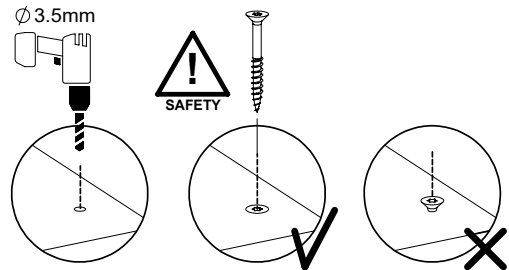
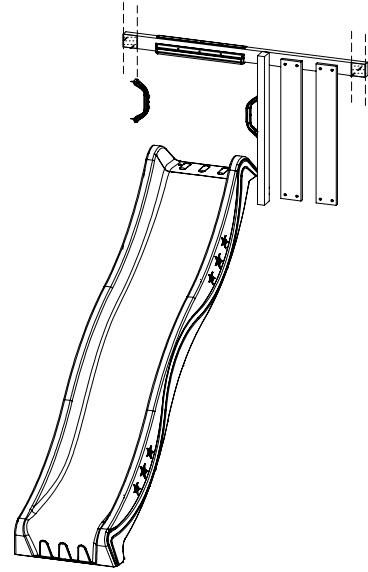


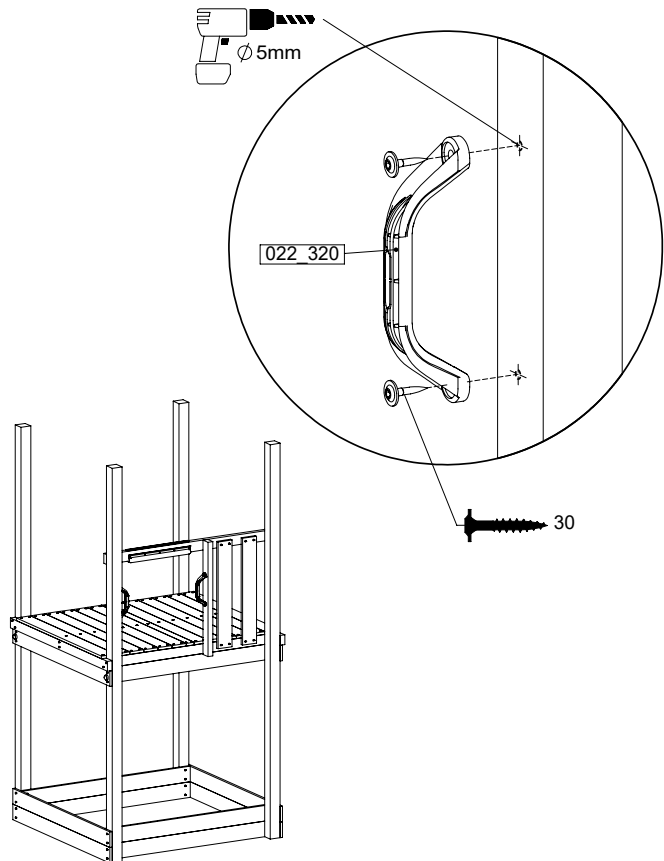
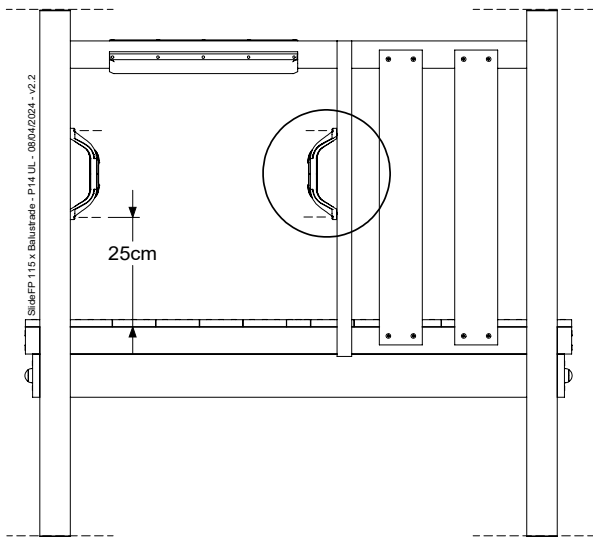
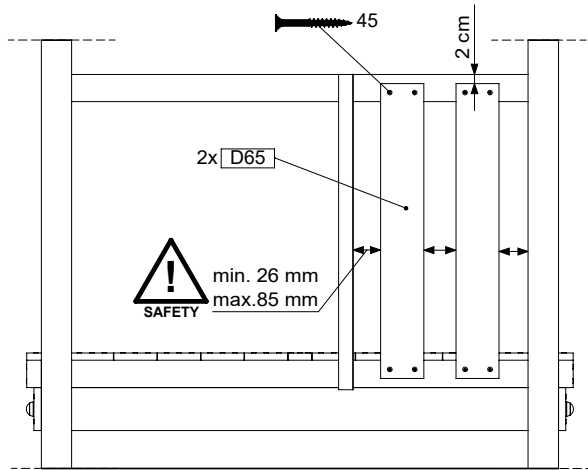
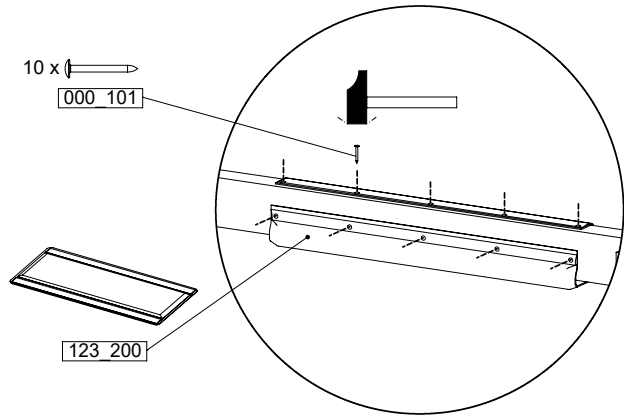
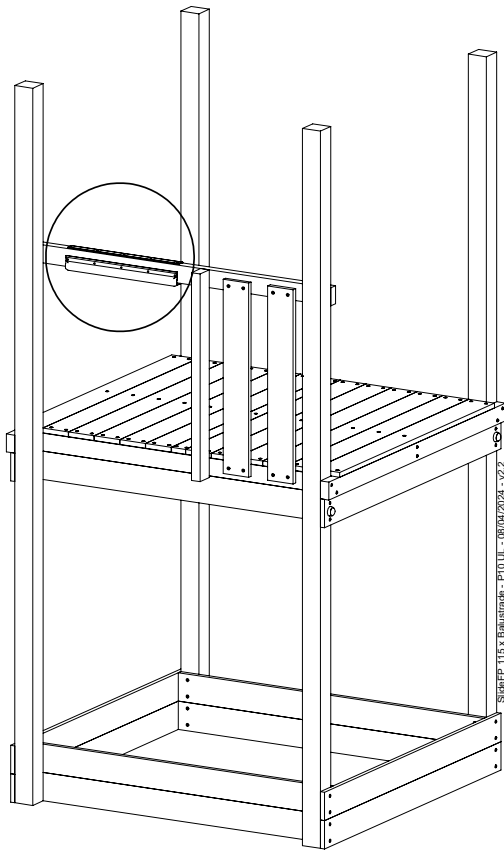
## 5 SL06a: Slide 115 125 U Left

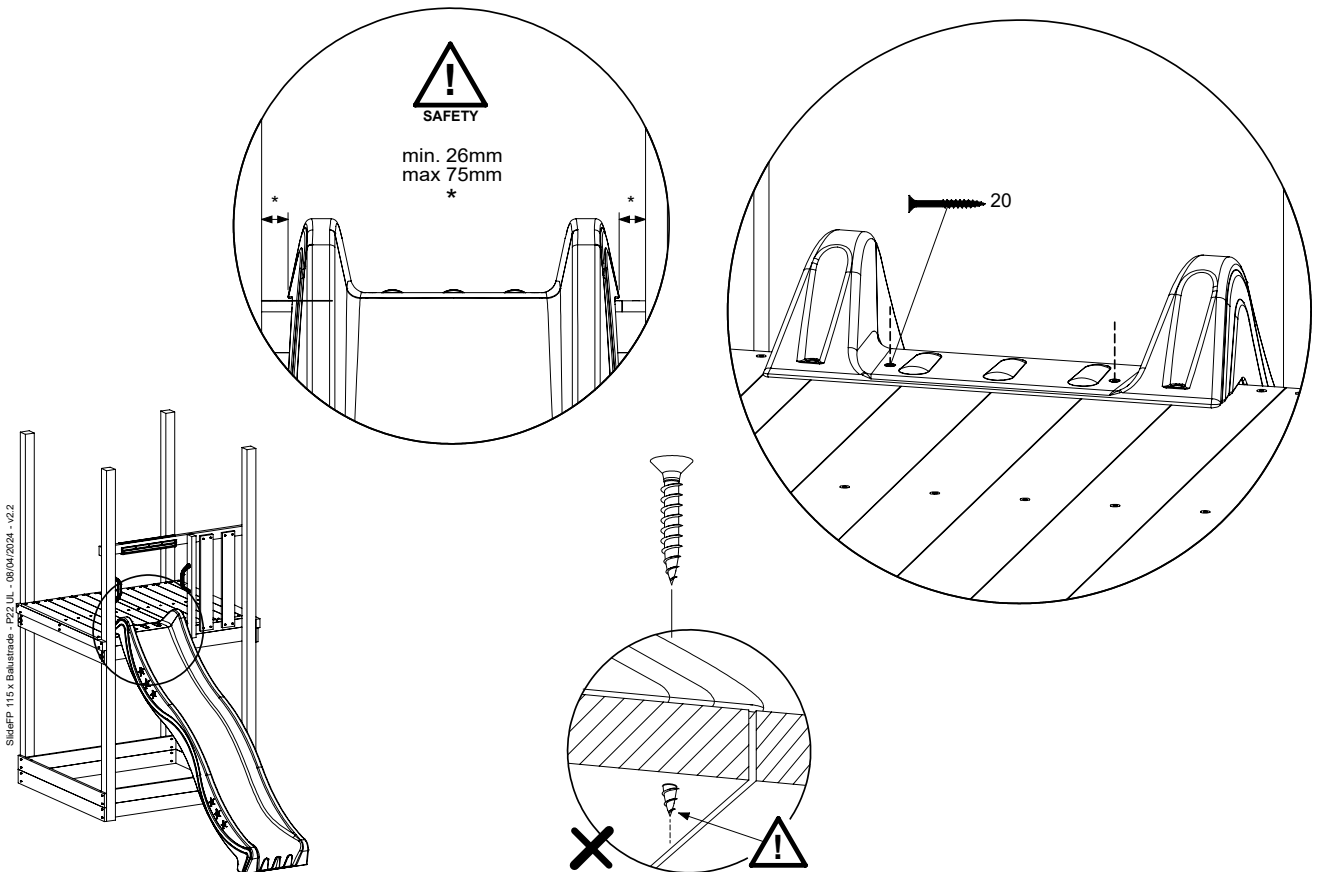
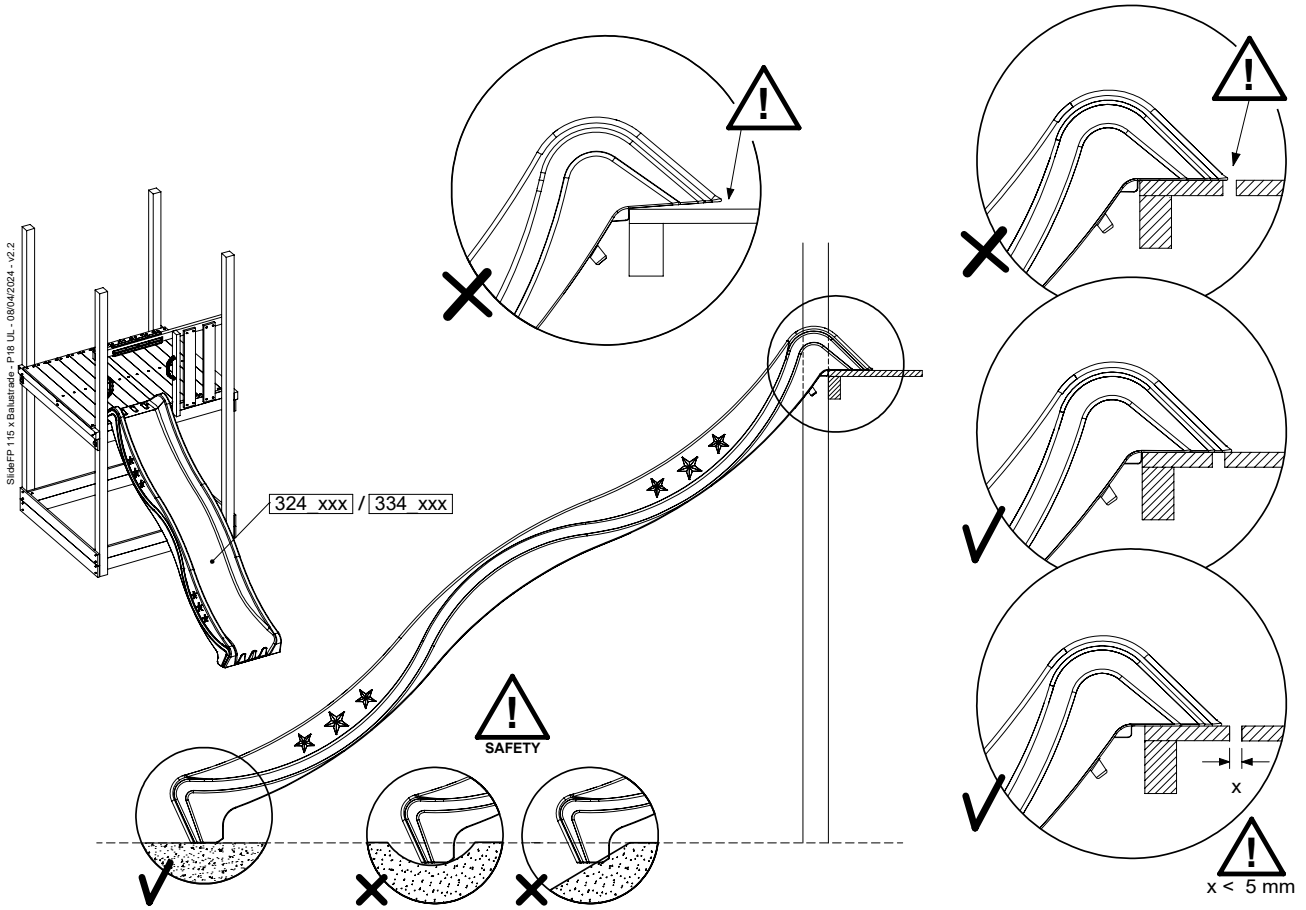
Assembly Packs: 194\_107 + 194\_101

	PartNo	PartName	QTY.
Hardware + Parts	000_101	Nail Pan Head	10
	002_220	Gap Point Screw T25 - 5x45	8
	002_223	Gap Point Screw T25 - 5x80	8
	002_308	Gap Point Screw T25 - 5x20	2
	120_102	Handgrip set (complete 2x)	1
	123_200	Bumperpad	1
	324_xxx 334_xxx	Wavy Star Slide XL 2200 mm / Wavy Star Slide XXL 2650 mm	1
Timber	C114	Beam 1140 mm	1
	C70	Beam 700 mm	1
	D65	Board 650 mm	2

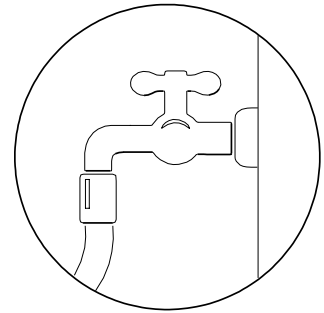
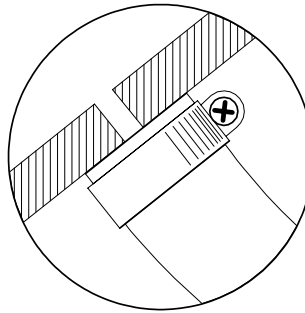
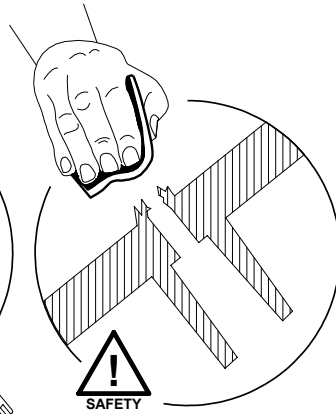
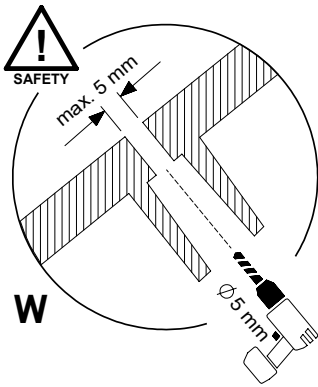
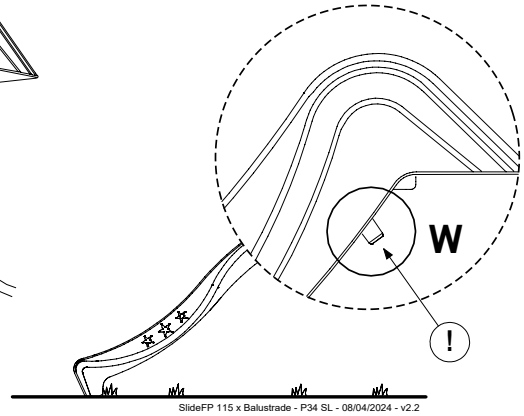
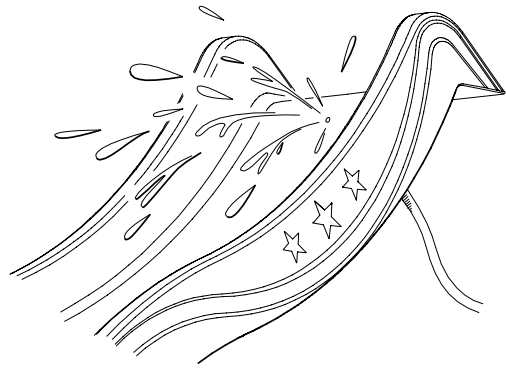
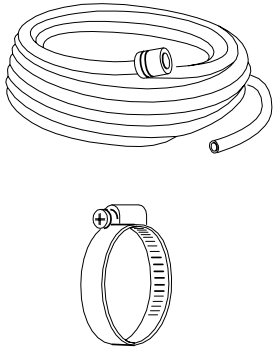
SlideFP 115 x Balustrade - P02 UL - 08/04/2024 - v02



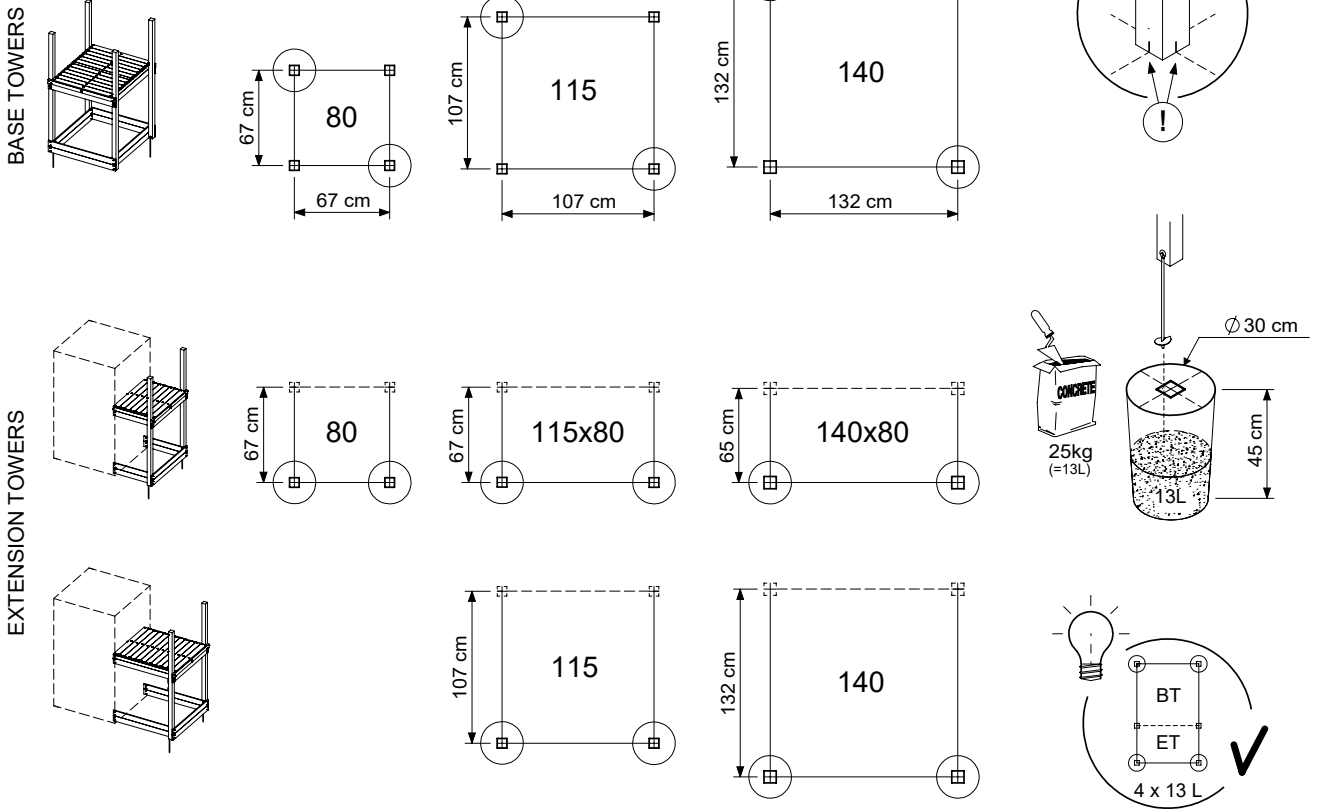




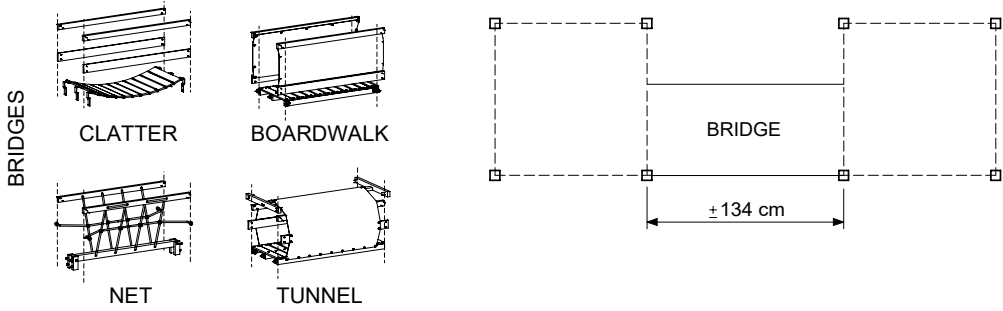
5.3



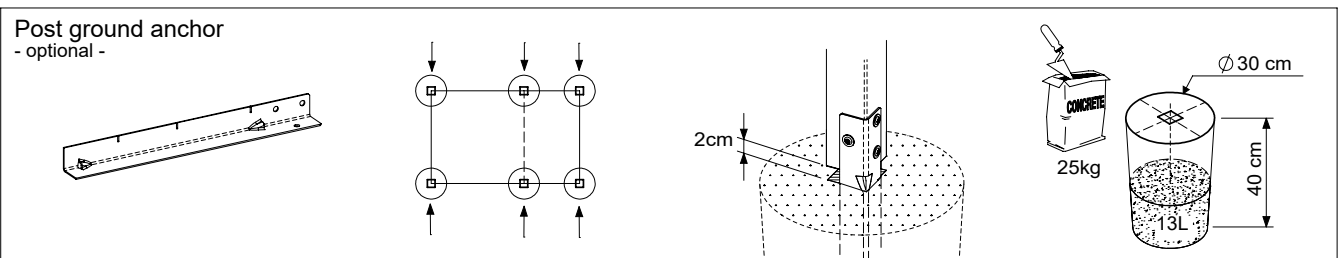
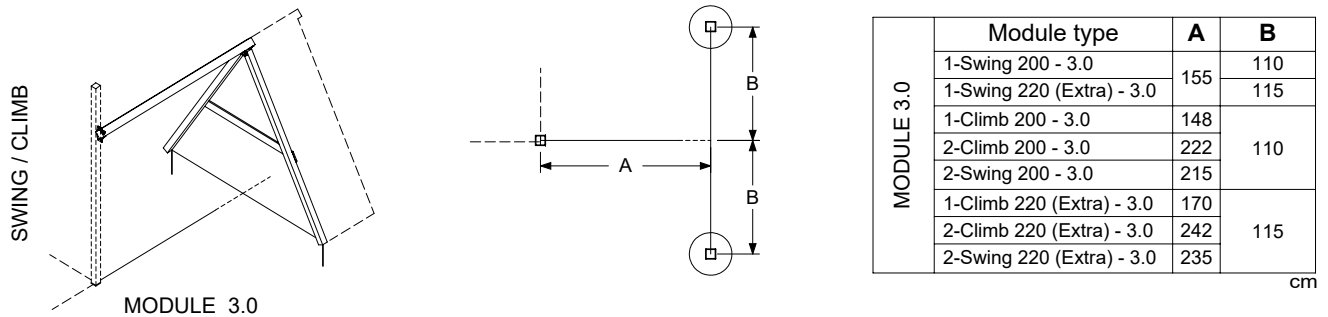
# 6 GA: Ground Anchors



Ground Anchors Uni. - P03 - 22/07/2025 - V2.3

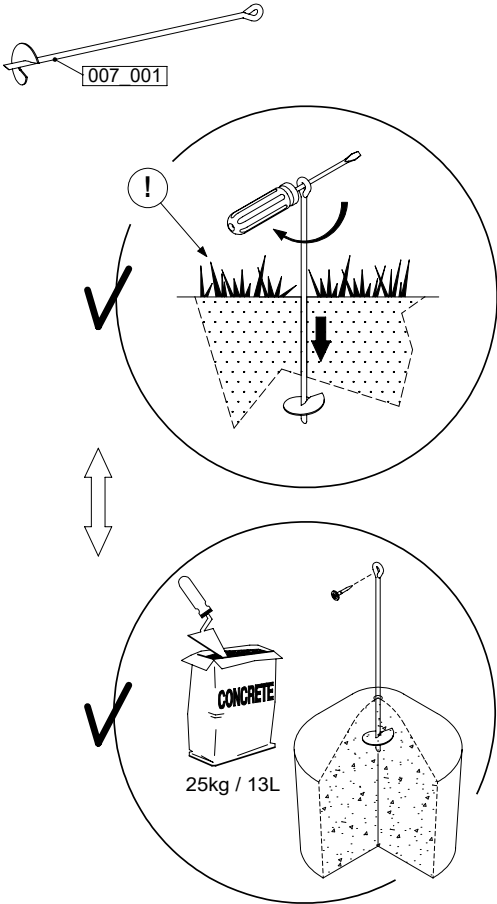


Ground Anchors Uni. - P04 - 22/07/2025 - V2.3

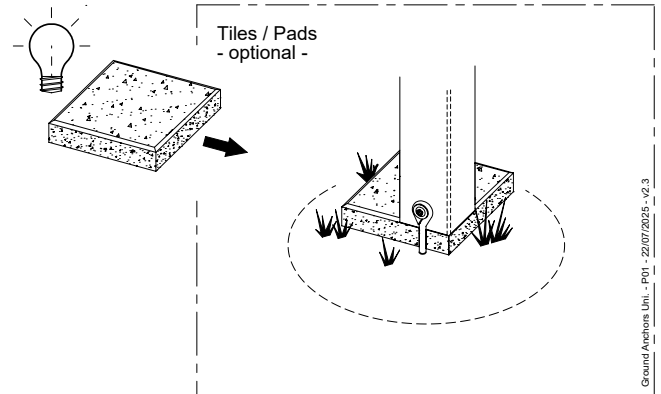
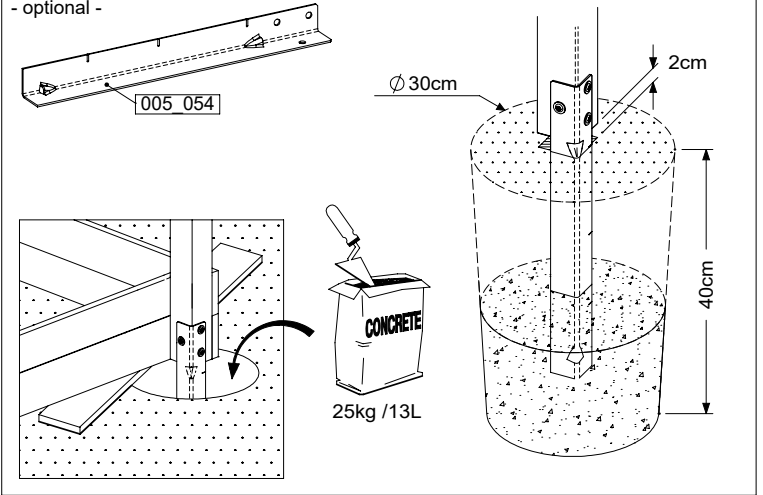


# 6.1

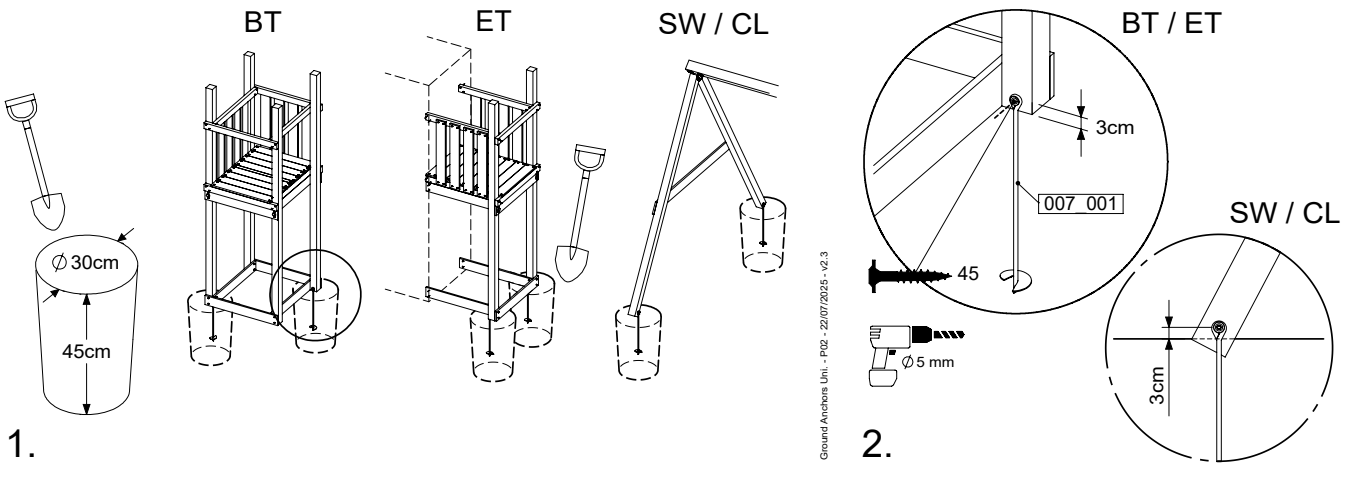
## Screw-in ground anchor



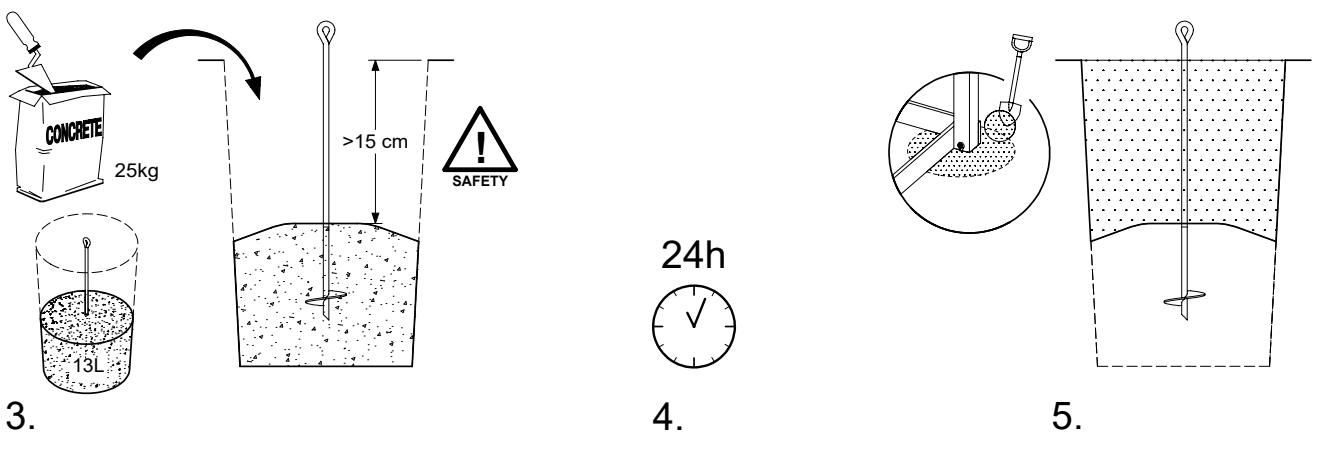
## Post ground anchor - optional -



Ground Anchors Unit - P01 - 22/07/2025 - v2.3



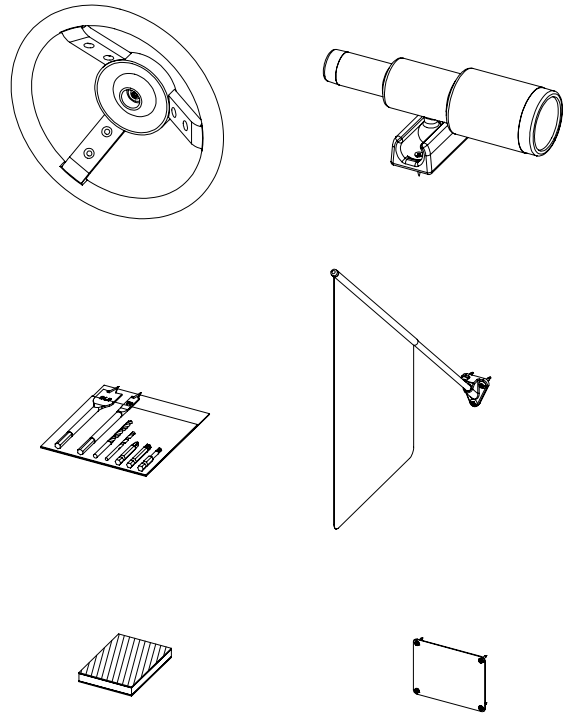
Ground Anchors Unit - P02 - 22/07/2025 - v2.3



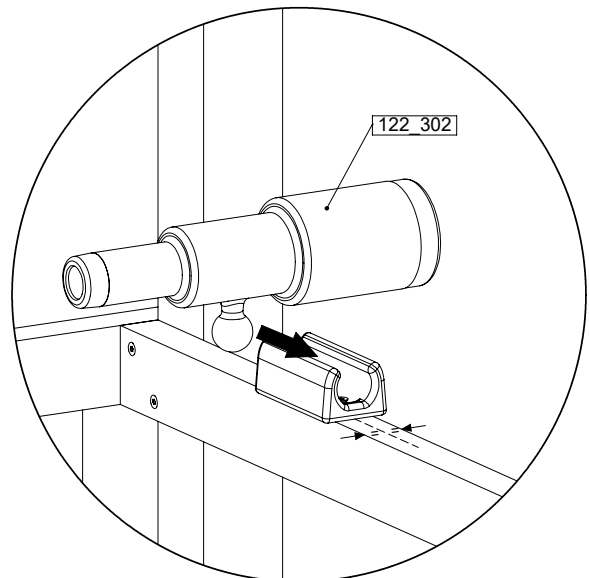
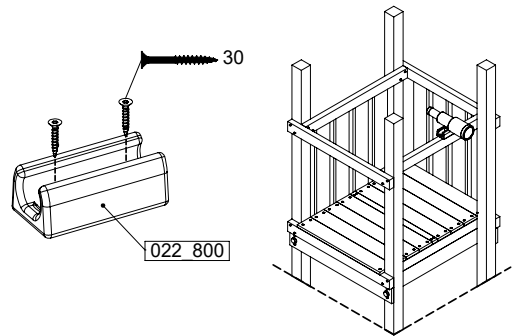
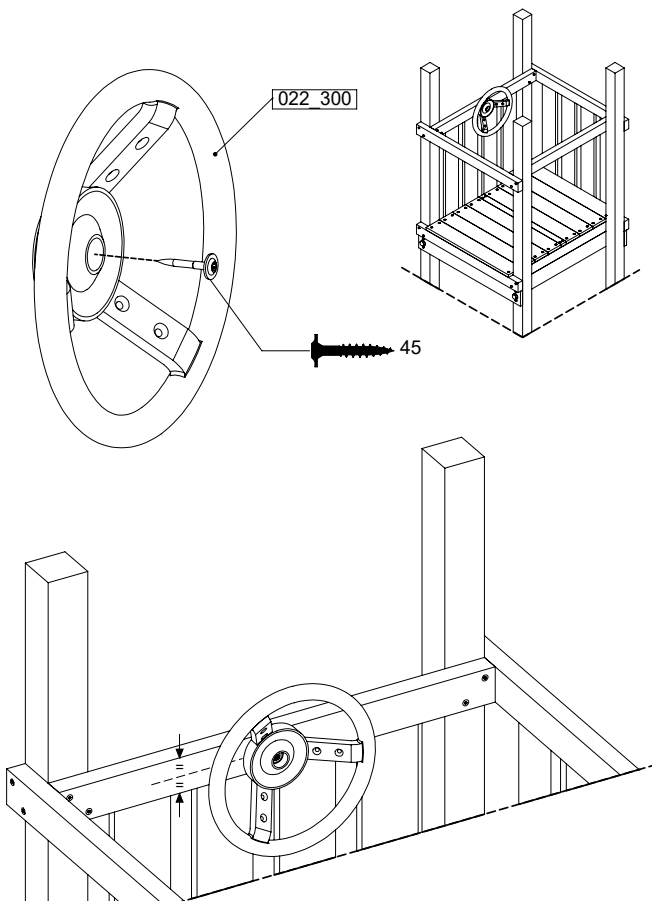
## 7 AC01a: Accessories

( 194\_119 )

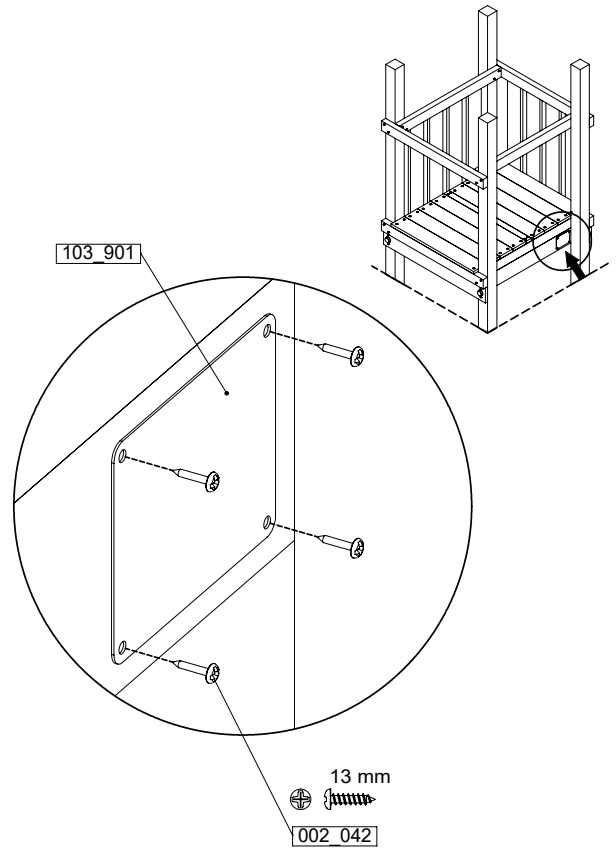
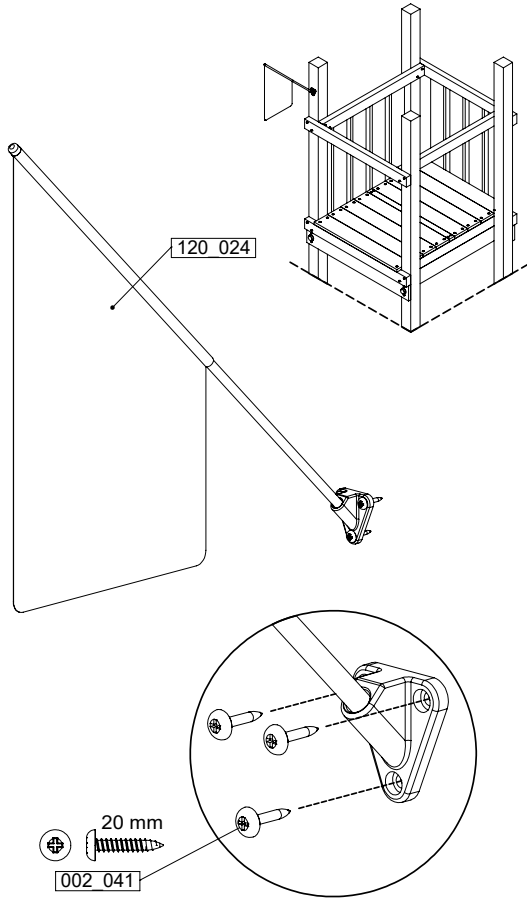
	PartNo	PartName	QTY.
Hardware Pack 100_617	001_406	Stealth Screw 8x45	1
	002_041	Dome head screw 4.5 x 20 mm	3
	002_042	Dome head screw 3.5 x 13mm	4
	002_219	Gap Point Screw T25 - 5x30	2
Other	022_300	Steering Wheel	1
	022_800	Rail P/T 105	1
	022_910	Sandpad	1
	103_901	Logo ID Plate	1
	104_107	Tool Set Climbing Units	1
	120_024	Tower Flag	1
	122_302	Telescope	1



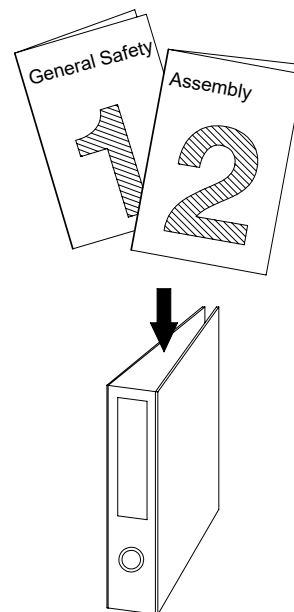
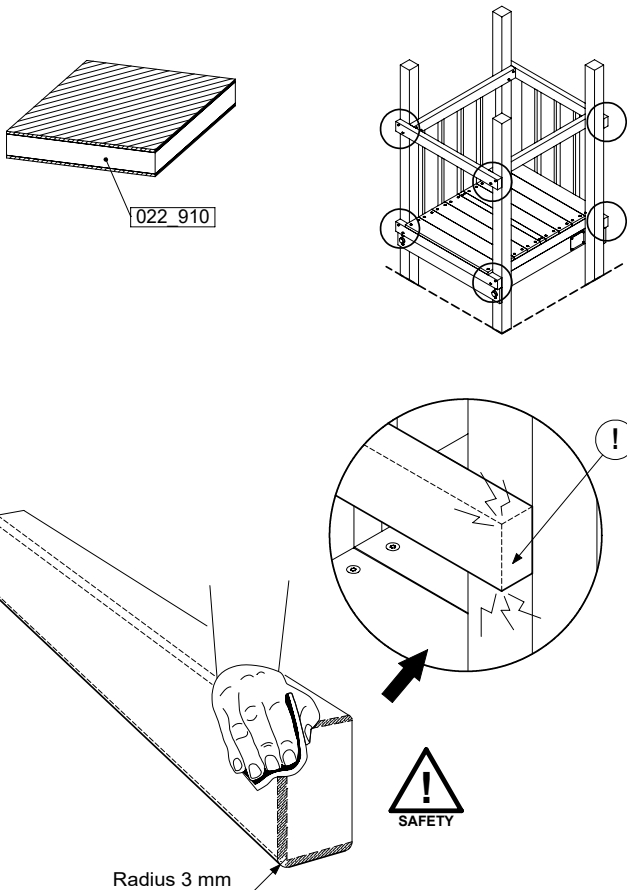
Accessory set - P02 - 24/01/2024 - v5



Accessory set - P03 - 24/01/2024 - v5



Accessory set - P04 - 24/01/2024 - 5/5



Accessory set - P05 - 24/01/2024 - 5/5



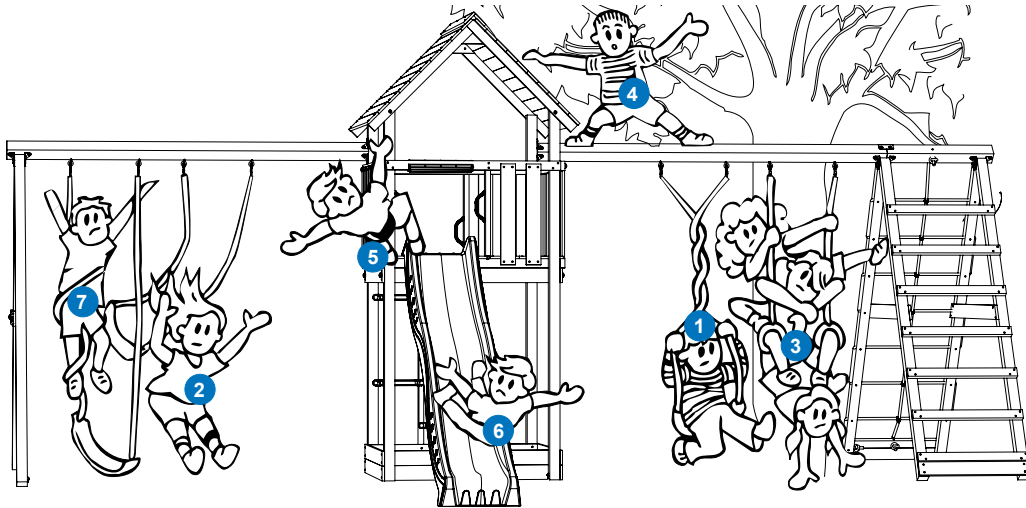
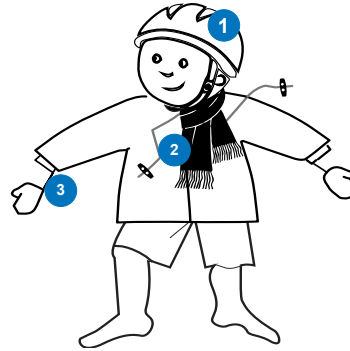
# Safe play instructions and safety notices

## Sichere Spielanweisungen und Sicherheitswarnungen

### Consignes de jeu sécurisé et avis de sécurité



**Maximum number of users**  
**Maximale Benutzerzahl**  
**Le nombre maximal d'utilisateurs**



**Satisfied with the result? We'd love your rating.**  
**Zufrieden mit dem Ergebnis? Teilen Sie Ihre Bewertung.**  
**Satisfait du résultat ? Nous serions ravis de recevoir votre avis.**

Review us on

★★★★★

Scan | Click

Google account required

Review us on

★★★★★

Scan | Click

Trustpilot account required



EU Declaration of Conformity  
UK Conformity Assessed  
EU-Konformitätserklärung  
Déclaration EU de conformité



( in accordance with 768/2008/EC )



**Verified safety & Assembly instructions**  
**Geprüfte Sicherheit & Montageanleitung**  
**Sécurité vérifiée et Instructions de montage**

Design Code : **VpP3rI**

Checkpoint	Description	Compliance
1. Balustrades / Guardrails	Each platform is fully enclosed by balustrades, except at intentional means of access/exit. Height & spacing according to EN 71-8	✓ Pass
2. Swing vs. Slide / Pole Interference	Swing arc (incl. rope loop) does not cross slide entry/exit or Fireman's Pole starting section.	✓ Pass
3. Object Space Separation	No overlap between two object spaces (e.g., climbing wall vs. slide exit).	✓ Pass
4. Object Space vs. Fall Space	Fall zones and free space (impact areas with shock-absorbing surface) are clear of other object spaces. No overlap between fall and use zones.	✓ Pass



Frontview



Topview



Sideview

**✓ Safety Checked**

Your design is automatically reviewed by our safety rule engine and verified by our output control center before instructions are generated. Your design has passed all safety checks.

1. General chapter presence	All general chapters are present (safety guidelines, customer service information, order overview, timber parts list, slide and hardware registration overview, part en pieces references, registration & warnings, required tools, installation and assembly notices, overall dimensions, assembly sequence).	✓ Pass
2. Sub-assembly Presence	All sub-assemblies are listed in the complete composition and delivery overview.	✓ Pass
3. Sub-assembly listings	All sub-assemblies references are listed in the assembly sequence table	✓ Pass
4. Sub-assembly links	Link references in the assembly sequence table correspond to the correct assembly instruction chapters.	✓ Pass
5. Timber part presence	Each assembly instruction chapter includes a corresponding timber part list..	✓ Pass
6. Timber part counts	Individual timber parts listed in the individual assembly pack overview in the assembly instruction chapter are counted and matched with the overview in the timber part list.	✓ Pass

**✓ Manual checked**

This assembly manual has been reviewed and verified. All required chapters, sub-assemblies, sequence references, timber lists, and BOMs have been checked and confirmed to be complete and consistent. You can be confident that this manual gives you all the information you need for a safe and complete assembly, provided the instructions are followed carefully.



**EU Declaration of Conformity**  
**UK Conformity Assessed**  
**EU-Konformitätserklärung**  
**Déclaration EU de conformité**



( in accordance with 768/2008/EC )

**Product range:** Activity toys for domestic use  
**Produktfamilie:** Aktivitätsspielzeug für den häuslichen Gebrauch  
**Gamme de produits:** Jouets d'activité à usage familial

**DoC reference: 20260105\_0700**

**Identification climbing frames**

**a. Complete climbing frame assemblies - Vollständige Klettergerüst-Baugruppen - Assemblages complets de structures d'escalade**

Playtowers 801\_005, 801\_009, 801\_010, 801\_013, 801\_025, 801\_040, 801\_060, 801\_070, 801\_090, 801\_095, 801\_100, 801\_103, 801\_105, 801\_110, 801\_120, 801\_200, 802\_202, 802\_204, 802\_206, 802\_208, 803\_202, 803\_204, 803\_206, 803\_208, 803\_210, 809\_802, 809\_804

Swings 801\_300, 801\_601, 801\_602

Modules 850\_175, 850\_220, 850\_240

**b. Climbing frame elements - Klettergerüst-Elemente - Éléments de structures d'escalade**

Base towers (BT) BT01a, BT02a, BT03a, BT11a, BT14a, BT15a, BT07, BT12, BT16, BT20a, BT22, BT23

Extension towers (ET) ET01a, ET02a, ET05a, ET06a, ET07a, ET08a, ET09a, ET10a, ET11a, ET12a, ET13a, ET14a, ET15a, ET16a, ET17a, ET18a, ET19a, ET20a, ET22a, ET23a, ET27a, ET28a, ET35a, ET29a, ET39a, ET40a

Veranda (VD) VD01a, VD02a, VD03a, VD04a, VD05a

Bridges (CB, NB, BB, TB) CB01a, CB01b, NB01a, BB01a, BB02a, TB01a, TB02a, TB03a, TB04a

Roofs (RF) RF01a, RF21a, RF02a, RF03a, RF04a, RF05a, RF06a, RF20a, RF02b, RF03b, RF28a, RF31a, RF07a, RF08a, RF22a, RF09a, RF23a, RF11a, RF12a, RF16a, RF07b, RF12b, RF08b, RF22b, RF09b, RF23b, RF11b, RF29a, RF34a, RF32a, RF14a, RF24a, RF15a, RF25a, RF18a, RF17a, RF18b, RF14b, RF24b, RF15b, RF25b, RF30a, RF35a, RF33a

Balustrade (BL, BF) BL01a, BL02a, BL11a, BL12a, BL21a, BL22a, BF25a, BF26a, BF27a, BF28a, BL03a, BL04a, BL13a, BL14a, BF01a, BF02a, BF03a, BF04a, BF05a, BF06a, BF07a, BF08a, BF01b, BF02b, BF03b, BF04b, BF05b, BF06b, BF07b, BF08b, BL05a, BL06a, BL07a, BL08a, BL09a, BL10a, BL15a, BL16a, BF21a, BF22a, BF23a, BF24a, BF21b, BF22b, BF23b, BF24b

Playhouse (PH) PH03a, PH04a, PH05a, PH06a, PH10a, PH11a, PH40a, PH41a, PH12a, PH13a, PH14a, PH15a, PH42a, PH43a, PH44a, PH45a, PH16a, PH17a, PH18a, PH19a, PH30a, PH31a, PH16b, PH17b, PH18b, PH19b, PH46a, PH47a, PH48a, PH49a, PH16c, PH17c, PH18c, PH19c, PH46b, PH47b, PH48b, PH49b, PH34a, PH35a, PH20a, PH21a, PH22a, PH23a, PH24a, PH25a, PH26a, PH27a, PH32a, PH33a, PH52a, PH53a, PH54a, PH55a, PH56a, PH57a, PH50a, PH51a, PH26b, PH27b, PH26c, PH27c, PH56b, PH57b

Ladder (LA) LA05a, LA06a, LA01a, LA02a, LA09a, LA03a, LA04a, LA01b, LA02b, LA09b, LA03b, LA04b, LA11a, LA12a, LA13a, LA14a, LA15a, LA16a, LA17a, LA18a, LA31a, LA32a, LA33a, LA34a, LA35a, LA36a, LA37a, LA38a, LA11b, LA12b, LA13b, LA14b, LA15b, LA16b, LA17b, LA18b, LA51a, LA52a, LA53a, LA54a, LA19a, LA20a, LA21a, LA22a, LA23a, LA24a, LA25a, LA26a, LA43a, LA44a, LA45a, LA46a, LA23b, LA24b, LA25b, LA26b

Two Step Ladder (TS) TS01a, TS01b, TS02a, TS02b, TS21b, TS03b, TS22a, TS22b, TS05a, TS06a, TS07a, TS08a, TS09a, TS10a, TS11a, TS12a, TS15a, TS16a, TS17a, TS18a, TS19a, TS20a, TS21a, TS22a

Rope Ladder (RL) RL01a, RL02a, RL05a, RL06a, RL07a, RL08a, RL09a, RL10a, RL11a, RL12a, RL15a, RL16a, RL19a, RL20a

Rock wall (RW) RW01a, RW02a, RW01b, RW02b, RW03b, RW31a, RW32a, RW33a, RW05a, RW06a, RW07a, RW08a, RW09a, RW10a, RW11a, RW12a, RW05b, RW06b, RW07b, RW08b, RW40a, RW41a, RW40b, RW41b, RW42a, RW43a, RW15a, RW16a, RW17a, RW18a, RW19a, RW20a, RW46a, RW47a

Ramp (RA) RA01b, RA02b, RA03a, RA04a, RA21a, RA05a, RA06a, RA07a, RA08a, RA05b, RA06b, RA07b, RA08b, RA11a, RA12a, RA09b, RA10b, RA11b, RA12b

Net (NA, NS) NA01a, NA02a, NS01a, NS02a, NS03a, NS21a, NA04a, NA05a, NS04a, NS05a, NS06a, NS07a, NA08a, NA09a, NS08a, NS09a

Boat (BO) BO01a

Market (MT) MT01a, MT02a, TC01a, TC02a, MT01b, MT02b, TC01b, TC02b, MT05a, MT06a, MT11a, MT12a

Target Canvas (TC) TC03a, TC04a, TC05a, TC06a

Picnic (PC) PC01a, PC01b, PC05a, PC06a, PC09a, PC10a

Playkitchen (PK) PK01a, PK05a, PK09a

Gymnastics bar (GY) GY01a

Fireman's pole (FP) FP30a, FP01a, FP02a, FP04a, FP05a, FP06a, FP07a, FP23a, FP24a, FP25a, FP26a, FP27a, FP28a

Slides (SL) SL30a, SL31a, SL01a, SL02a, SL03a, SL06a, SL07a, SL08a, SL09a, SL10a, SL11a, SL12a, SL13a, SL26a, SL27a, SL28a, SL29a

Swing (SM) SW17a, SW21a, SW18a, SW22a, SW19a, SW23a, SW01a, SW05a, SW02a, SW06a, SW03a, SW07a, SW09a, SW13a, SW10a, SW14a, SW11a, SW15a

Climb (CL) CL17a, CL21a, CL18a, CL22a, CL19a, CL23a, CL01a, CL05a, CL02a, CL06a, CL03a, CL07a, CL09a, CL13a, CL10a, CL14a, CL11a, CL15a

Universal Beam (UB) UB01a, UB04a, UB20a, UB21a, UB22a, UB23a, UB24a, UB25a, UB26a, UB27a, UB28a, UB29a, UB02a, UB05a, UB03a, UB06a, UB07a, UB08a

Accessories (AC) AC40a, AC43a, AC30a, AC31a, AC32a, AC33a, AC01a, AC11a, AC05a, AC07a, AC03a, AC04a, AC06a, AC23a, AC22a, AC24a, AC21a, AC25a, AC02a, GA31, AC09a, AC08a, AC10a

**Identification construction packages**

**a. Assembly kits for complete climbing frames - Montagesets für komplette Klettergerüste - Kits de montage pour structures d'escalade complètes**

Playtowers 401\_015, 401\_080, 401\_125, 402\_201, 402\_202, 402\_204, 402\_206, 402\_208, 403\_202, 403\_204, 403\_206, 403\_208, 403\_210, 409\_802, 409\_804

Swings 401\_300, 401\_600

Modules 457\_005, 457\_102, 457\_103, 457\_106, 457\_107, 457\_205

**b. Assembly packs for climbing frames elements - Baupakete für Klettergerüst-Elemente - Packs de construction pour éléments de structures d'escalade**

Sub assemblies 194\_002, 194\_003, 194\_004, 194\_006, 194\_007, 194\_008, 194\_009, 194\_010, 194\_011, 194\_100, 194\_101, 194\_102, 194\_103, 194\_104, 194\_105, 194\_107, 194\_108, 194\_109, 194\_110, 194\_111, 194\_112, 194\_113, 194\_114, 194\_115, 194\_116, 194\_117, 194\_118, 194\_119, 194\_300, 194\_308, 194\_312, 194\_500, 194\_501, 194\_508, 194\_510, 194\_802, 194\_804, 194\_809, 194\_810, 194\_811, 194\_812

**c. Accessories and components for climbing frames - Zubehör und Komponenten für Klettergerüste - Accessoires et composants pour structures d'escalade**

Slides 324\_x00, 324\_100, 324\_200, 324\_300, 324\_400, 324\_500, 324\_600, 334\_x00, 334\_100, 334\_200, 334\_300, 334\_400, 334\_500, 334\_600

Fireman's pole 201\_275

Climbing 201\_060, 201\_273

Imagination 201\_230, 201\_280, 201\_285, 201\_290, 201\_295, 202\_473, 450\_310, 450\_320, 450\_330

Swinging 250\_001, 250\_013, 250\_025, 250\_034, 250\_053

Functional 123\_220, 123\_222, 123\_230, 201\_115, 201\_220, 201\_250, 201\_260, 201\_270, 202\_620, 202\_621, 202\_622, 202\_623, 202\_624, 202\_625, 202\_626, 202\_627, 202\_628, 202\_629, 202\_824, 250\_060, 250\_065, 250\_070, 250\_075

## Applicable EU and UK directives, regulations and standards

### General directives

- EU Product Safety Regulation (GPSR 2023/988/EC)
- UK General Product Safety Regulations (GPSRs SI 2005/1803)
- EU Reach Directive 1907/2006
- EU Accessibility Act (EAA 2019/882)
- AfPS GS 2019:01 PAK

### Toy directives

- EU Toys Safety Directive (TSD 2009/48/EC)
- UK Toys Safety Regulations 2011 (TSR SI 2011/1881)

### Harmonised European and UK toy standard

- Safety of toys (EN 71)
  - Part 1: Mechanical and physical properties (prEN 71-1:2024)
  - Part 2: Flammability (EN 71-2:2020/prA1:2023)
  - Part 3: Migration of certain elements (EN 71-3:2019+A2:2024)
  - Part 8: Activity toys for domestic use (prEN 71-8:2024)

## Additional audits

### Test reports / Certificate:

TüV Rheinland Product Safety GmbH

### Prüfbericht / Zertifikat:

Am Grauen Stein, 51105 Köln, Germany

### Rapport d'essai / certificate:

Zertifikat: R 60010766, R 60024578

Prüfbericht: 21115718\_003/004/005, 21140630\_001/002

Dekra Automobil GmbH

Handwerkstraße 15, 70565 Stuttgart, Germany

Prüfbericht: 340331500\_55245585/13-2, 55247432.14-1, 55247432.14-2

Laboratoire National de métrologie et d'essais (LNE)

29 Avenue Roger Hennequin, 78197 Trappes Cedex, France

Revue documentaire: K080196

## Design

### Product image:

### Produktbild:

### Image du produit:

### Design Code:

V p P 3 r I



### Production date:

18-02-2026

## Declaration

This declaration of conformity is issued solely under the responsibility of the manufacturer, who asserts that the aforementioned products comply with the applicable directives and harmonized standards, provided that installation, assembly, and maintenance are performed in accordance with the instructions supplied.

Diese Konformitätserklärung wird ausschließlich unter der Verantwortung des Herstellers ausgestellt, der erklärt, dass die genannten Produkte den geltenden Richtlinien und harmonisierten Standards entsprechen, vorausgesetzt, dass Installation, Montage und Wartung gemäß den bereitgestellten Anweisungen durchgeführt werden.

Cette déclaration de conformité est émise uniquement sous la responsabilité du fabricant, qui affirme que les produits mentionnés ci-dessus sont conformes aux directives applicables et aux normes harmonisées, à condition que l'installation, le montage et l'entretien soient réalisés conformément aux instructions fournies.

## Manufacturer details

### Jungle Gym B.V.

P.O. Box 75083

1070 AB Amsterdam

Netherlands

[www.jungle gym.com](http://www.jungle gym.com)

[info@jungle gym.com](mailto:info@jungle gym.com)

+31 85 44 44 100

**Jungle Gym**  
BACKYARD PLAYGROUNDS

— since 1988 —

Amsterdam, January 13<sup>th</sup>, 2026

On behalf of the manufacturer  
**Jungle Gym B.V.**

  
Paul Schmit  
CEO