

Assembly instructions

Activity toys to be assembled by adults for outdoor domestic use.

Montageanleitung

Aktivitätsspielzeug zum Selbstaufbau für den häuslichen Außenbereich.

Instructions de montage

Jouet d'activité à assembler pour une utilisation familial en extérieur

2

PART

Top Rated
Product



4.5



verified by Trustindex

Design Code : 88WQT9
Article Number : 211170
Product Name : **Jungle Explorer**
Audit ID : 809_802



Jungle Gym

BACKYARD PLAYGROUNDS

since 1988

Assembly
time



hours
by 2 adults



EN. Warning! Only for domestic use. Maximum number of users is 7. **DE.** Achtung! Nur für den Hausgebrauch. Maximale Benutzerzahl: 7 **FR.** Attention! Réserve à un usage familial. Le nombre maximal d'utilisateurs est de 7. **BG.** Внимание! За употреба само в домашни условия. Максималният брой потребители е 7. **CS.** Varování! Jen pro domácí použití. Maximální počet uživatelů je 7 **DA.** Advarsel! Kun til privat brug. Maksimum antal brugere er 7. **EL.** Προειδοποίησης! Μόνο για οικιακή χρήση. Μέγιστος αριθμός χρηστών 7. **ES.** Advertencias! Sólo para uso doméstico. Número máximo de usuarios: 7. **ET.** Hoiatused! Ainult koduseks kasutamiseks. Maksimaalne kasutajate arv on 7. **FI.** Varoitukse! Ainoastaan kotikäyttöön. Käyttäjää yhteensä enintään 7. **HR.** Upozorenja! Samo za uporabu u domu. Maksimalan broj korisnika je 7. **HU.** Figyelmeztetések! Csak otthoni használatra! A használók max. száma: 7. **IS.** Varnaðarorð! Eingöngu fyrir einkanotkun í heimahúsum og á einkalóum. Hámarksfjöldi notenda er 7. **IT.** Avvertenze! Solo per uso domestico. Massimo numero di utenti è 7. **LT.** Dėmesio! Tik buitiniam naudojimui. Maksimalus naudotojų skaičius 7. **LV.** Brīdinājumi. Izmantot tikai mājās. Maksimālais lietotāju skaits ir 7. **NL.** Waarschuwing! Uitsluitend voor huishoudelijk gebruik. Het maximale aantal gebruikers is 7. **NO.** Advarsel! Kun for privat bruk. Maksimalt antall brukere er 7. **PL.** Ostrzeżenia! Wyłącznie do użytku domowego. Maksymalna liczba użytkowników to 7. **PT.** Avisos! Apenas para uso doméstico. O número máximo de utilizadores é 7. **RO.** Avertismente! Numai pentru uz domestic. Numărul maxim de utilizatori este 7. **SK.** Upozornenia! Iba na domáce použitie. Maximálne množstvo osôb je 7. **SL.** Opozorila! Samo za domačo uporabo. Maksimalno število uporabnikov je 7. **SV.** Varningar! Endast för hemmabruk. Det maximala antalet användare är 7.



Product name: 88wQt9 © 2026 Jungle Gym B.V. Copyrighted material. All rights reserved. Single-owner licensed. No part of this document may be reproduced or utilized otherwise in any form or by any means, electronic or mechanical, including photocopying, or posting on the internet or an intranet, copying and networking prohibited

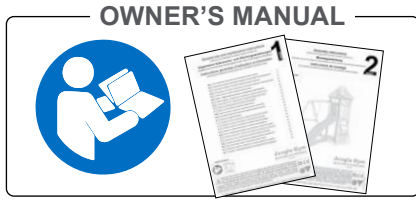
040_080_2413 P1 20260218

Manual ID: 040_080_2413

00_assembly_instructions



Safety symbols Sicherheitssymbole Symboles de sécurité



Important: Before assembling and using this product, please carefully read the provided Use- and maintenance instructions (Part 1) and assembly instructions (Part 2) thoroughly.

Wichtig: Lesen Sie vor der Montage und Benutzung dieses Produkts die beiliegende Gebrauchs- und Wartungsanweisungen (Teil 1) und die Montageanleitung (Teil 2) sorgfältig durch.

Important: Avant de monter et d'utiliser ce produit, veuillez lire attentivement. Conseils d'utilisation et d'entretien (Partie 1) et les instructions de montage (Partie 2).



Mandatory provisions
Gebotsbestimmungen
Dispositions obligatoires



1-5 **Warnings!**
Achtung!
Attention!



1-12 **Potential hazards**
Potenzielle Gefahren
Dangers potentiels



1-7 **Installation and safety notices**
Installations- und Sicherheitshinweise
Instructions d'installation et de sécurité



1-14 **Assembly and safety notices**
Montage- und Sicherheitshinweise
Instructions de montage et de sécurité



1-7 **Safe play instructions and safety notices**
Sichere Spielanweisungen und Sicherheitswarnungen
Consignes de jeu sécurisé et avis de sécurité



Customer service Kundendienst Service client



 [Frequently Asked Questions](#)

 [Häufig gestellte Fragen](#)

 [Foire aux questions](#)

 [Veelgestelde Vragen](#)



 EU +31 85 44 44 102 *

info@junglegym.com

www.junglegym.com

[instagram.com/junglegymofficial](https://www.instagram.com/junglegymofficial)

* International phone charges may apply.

Availability:

Monday – Thursday:

CET 09:00 AM – 04:00 PM

Friday:

CET 09:00 AM – 01:00 PM



Preparation Vorbereitung Préparation



Complete composition and delivery overview
Vollständige Zusammensetzung und Lieferübersicht
Aperçu complet de la composition et de la livraison



OR



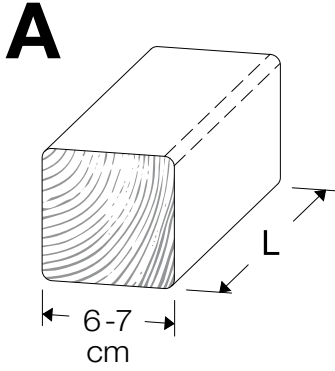
To avoid danger of suffocation, please keep the bag away from children.
 Um Erstickungsgefahr zu vermeiden, halten Sie die Tüte bitte von Kindern fern.
 Pour éviter tout risque d'étouffement, gardez le sac hors de portée des enfants.



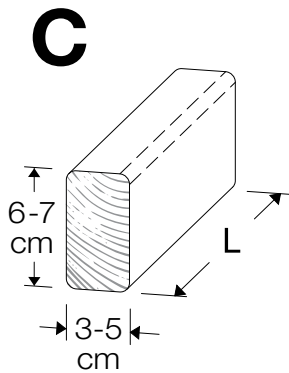
Choking hazard – may not be suitable for children under 3 years.
 Erstickungsgefahr – möglicherweise nicht geeignet für Kinder unter 3 Jahren.
 Risque d'étouffement – peut ne pas convenir aux enfants de moins de 3 ans.



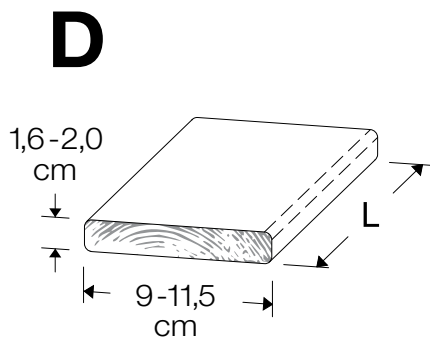
#	Print ID	Description	FFC ID
1	BT01a	Base Tower 80_200200_125	709_802
1	BT06a	Base Tower 80_220220_125	
3	BL01a	Balustrade 80_ U	
1	RF05a	Roof Canvas Pyramid 80	
1	RF06a	Roof Timber Lookout 80	
1	RW02a	Rock wall 80_125 T	
1	LA02a	Ladder 80_125 T	
1	MT01a	Market 80 U	
1	CB01a	Clatter Bridge 80 uni	
1	SL03a	Slide Frame 80_125 U	
1	AC01a	Accessories Set	
1	324_x00	Wavy Star Slide XL	324_x00



ID	L	#
A200	199 cm - 200 cm	4
A240	239 cm - 240 cm	4



C62	61 cm - 62 cm	1
C74	73 cm - 74 cm	15
C141	140 cm - 141 cm	2
C150	149 cm - 150 cm	2



D21	20 cm - 21 cm	10
D60	59 cm - 60 cm	35
D65	64 cm - 65 cm	12
D74	73 cm - 74 cm	29
D141	140 cm - 141 cm	2

Slide registration
Rutschenregistrierung
Enregistrement du toboggan

Article №: + Color ID: + LOT: ID:



- = 100
- = 200
- = 300
- = 400
- = 500
- = 600

Example

№: Color ID: LOT ID:

2 3 2 4 2 0 0 2 2 0 2 2 3

1. _____

2. _____

3. _____

4. _____

Hardware kit, pack and/or accessory registration
Registrierung von Hardware-Kits, Paketen und/oder Zubehör
Enregistrement du kit matériel, du pack et/ou des accessoires

Article №: + LOT ID:



OR

LOT ID:



Example

№: LOT:

1 2 3 4 5 6 2 7 1 1

1. _____

2. _____

3. _____

4. _____

Example

LOT:

AP Manual & Accessory set

AC


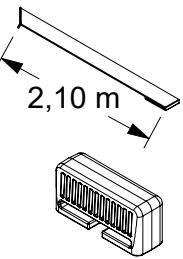
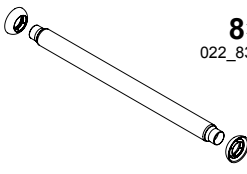
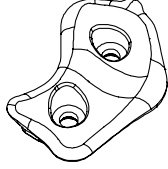
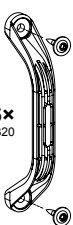
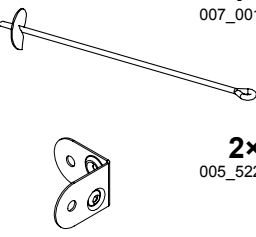


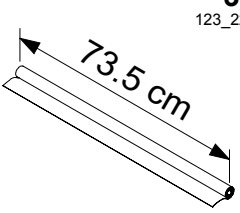
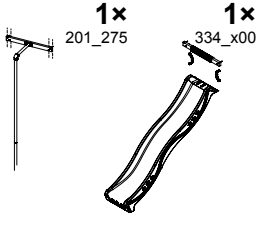
1x

№ 194_119

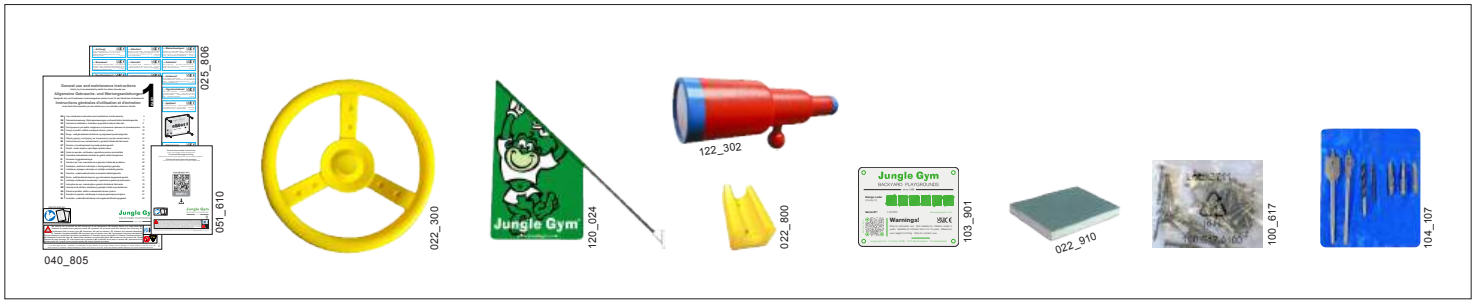
LOT: 2 7 1 1

Hardware package and accessory registration
Hardwarebeutel- und Zubehörregistrierung
Enregistrement du sachet de quincaillerie et des accessoires

409_802

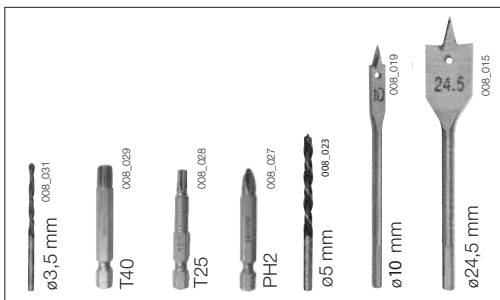
 <p>1x 040_080</p>	 <p>3x 121_114</p> <p>2,10 m</p> <p>26x 022_911</p>	 <p>4x 005_03x</p> <p>8x 022_835</p>	 <p>4x 022_5xx</p>	 <p>3x 120_102</p> <p>6x 022_320</p> <p>12x 001_104</p>
 <p>4x 007_001</p> <p>2x 005_522</p>	 <p>1x 123_200</p>	 <p>1x 100_605 100_607 100_610 100_611 100_614 100_617 100_903 100_904</p> <p>2x 100_600</p> <p>3x 100_601</p>	 <p>3x 123_220</p> <p>73.5 cm</p> <p>Canvas</p>	 <p>1x 201_275</p> <p>1x 334_x00</p> <p>FMP / Slide</p>

AP Manual & Accessory set
AP Handbuch & Zubehör-Set
AP Set de manuels et d'accessoires



194_119

Overview bit and drill bit references
Bit-Übersicht und Bohrer-Referenzen
Aperçu des embouts et références de forets



Hardware and part references
Hardware- und Teile-Referenzen
Références de quincaillerie et pièces

		#	L
 ø 5 T-40	 8.8	 ø 8.0 mm	001_404 30 mm
		001_406 45 mm	
		001_411 60 mm	
		001_417 80 mm	
		001_422 137 mm	
 ø10 T-40	 8.8	 M8	001_102 30 mm
		 ø 2.0 mm	000_101 20 mm
 ø3.5 T-25	 8.8	 ø 6.3 mm	002_036 16 mm
		 ø 4.5 mm	002_041 20 mm
 ø3.5 PH-2	 8.8	 ø 3.5 mm	002_042 13 mm
		 ø 3.9 mm	002_301 40 mm

		#	L
 ø3.5 T-25	 8.8	 ø 5.0 mm	002_308 20 mm
		002_219 30 mm	
		002_220 45 mm	
		002_223 80 mm	
 ø10 T-40	 8.8	 M8	004_050 22mm
		 M8	003_010
		 M6	003_034
		 M8	022_845 Yellow
		 M8	022_846 Blue
		 M8	022_847 Green
		 M8	022_848 Red
		 M8	023_031 White
		 M8	120_005 White
		 M8	022_844
		 M8	022_314



Installation and safety notices

Installations- und Sicherheitshinweise

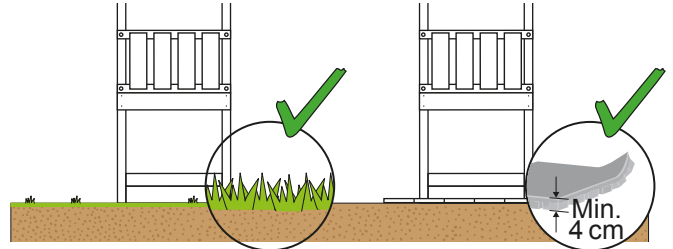
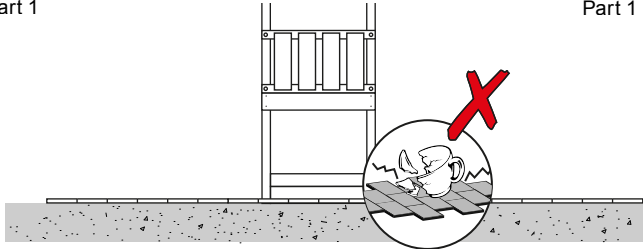
Instructions d'installation et de sécurité



Part 1



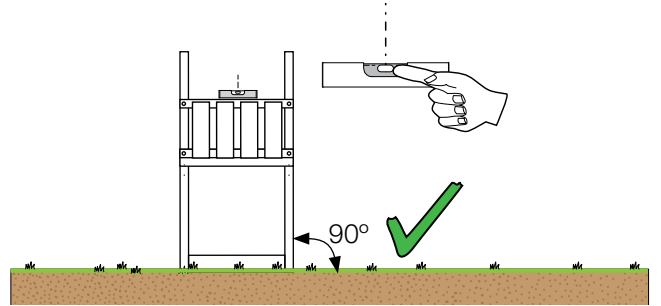
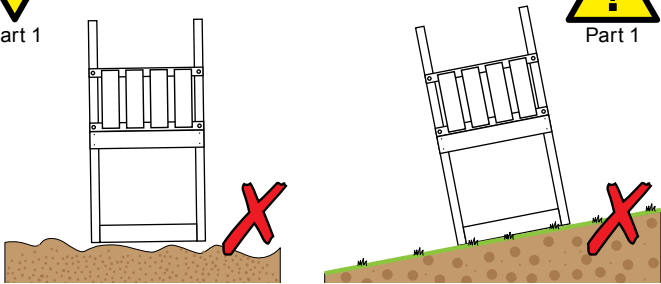
Part 1



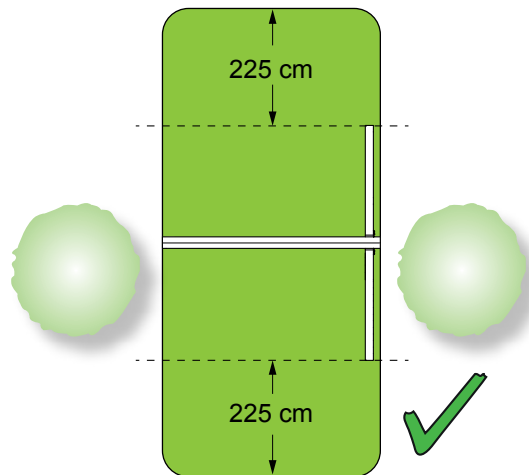
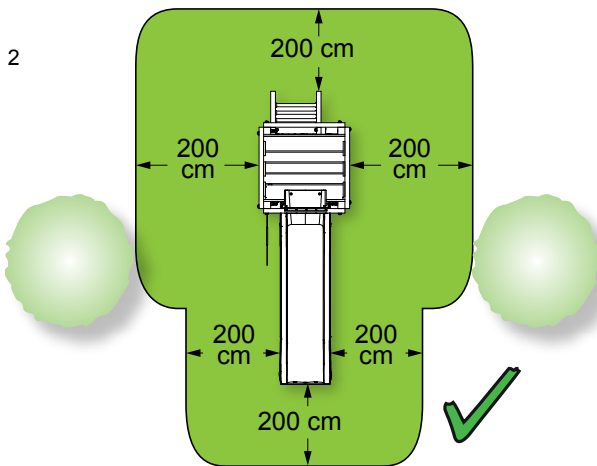
Part 1



Part 1



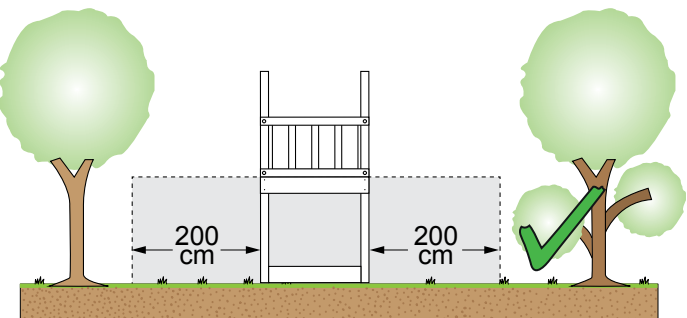
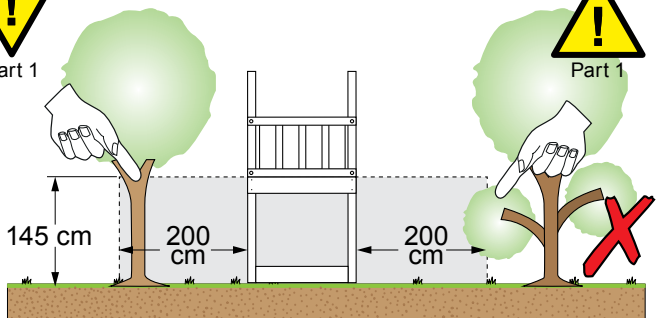
Part 1

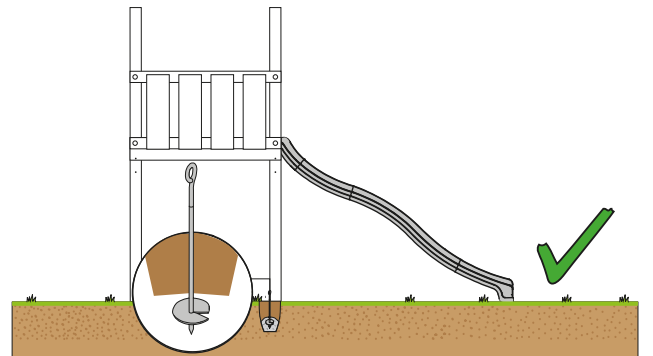
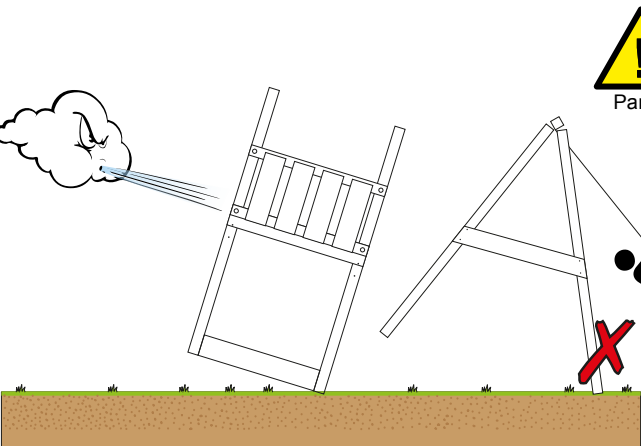
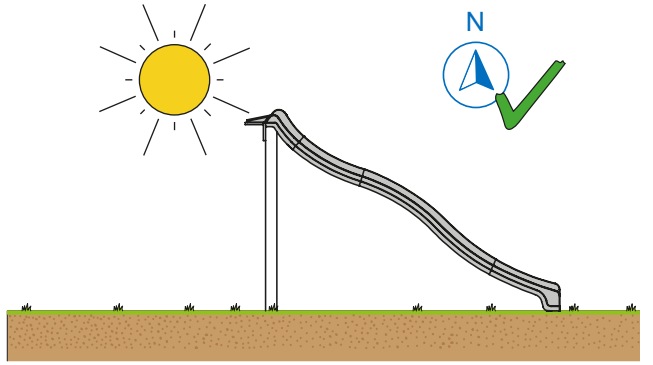
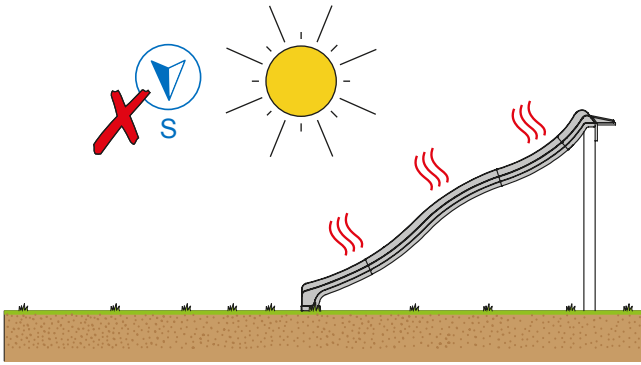
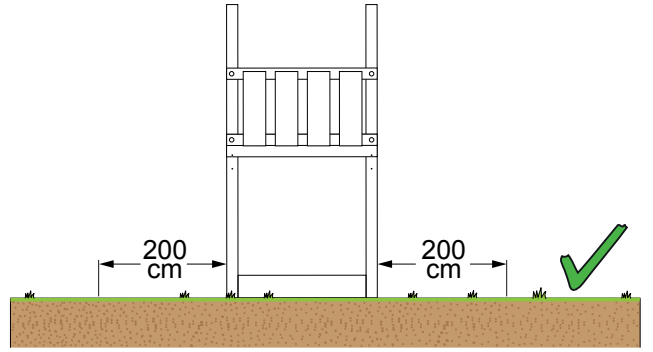
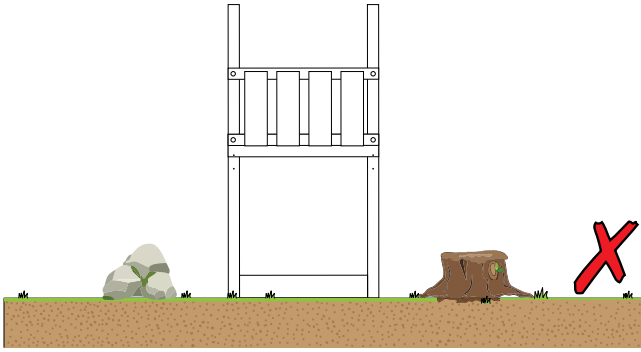


Part 1



Part 1

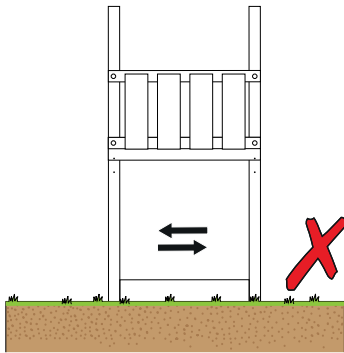




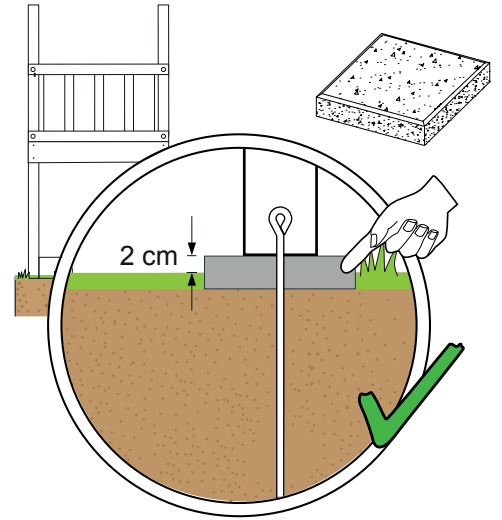
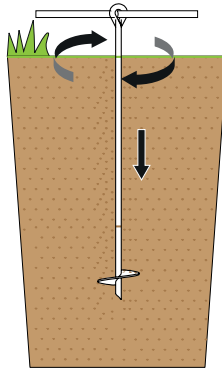
Manual ID: 040_080_2413



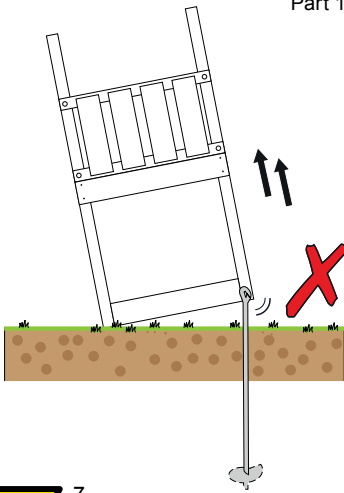
Part 1



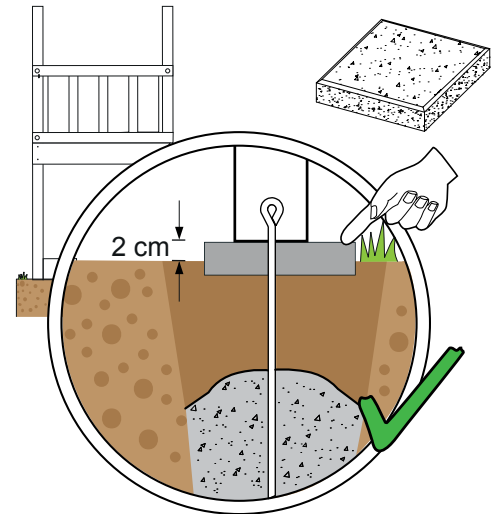
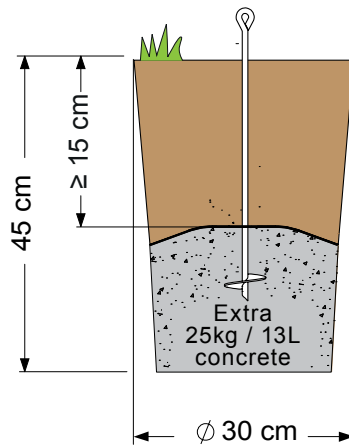
Part 1



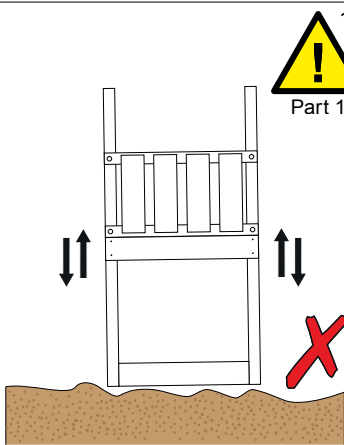
Part 1



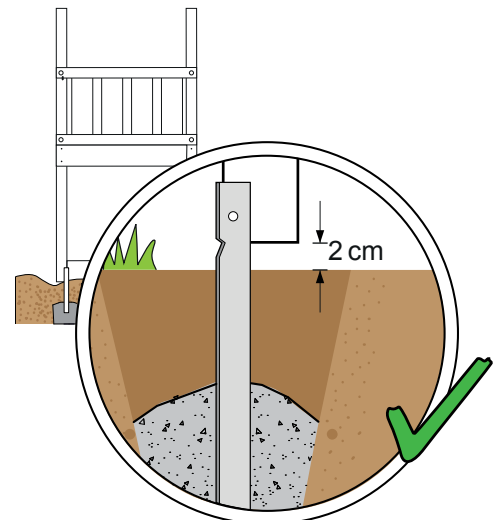
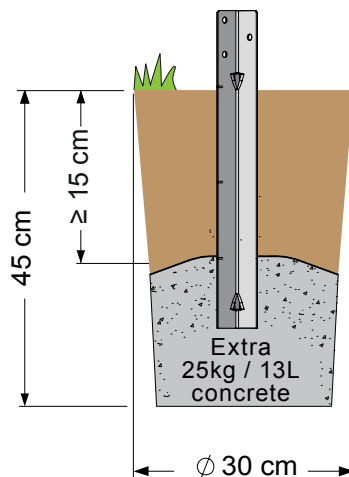
Part 1



Part 1



Part 1



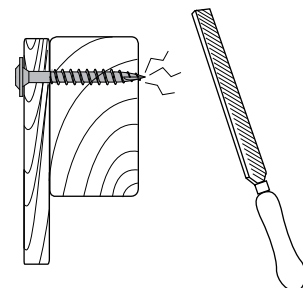
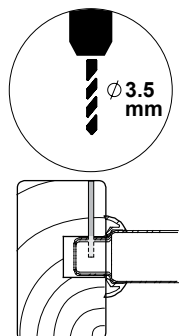
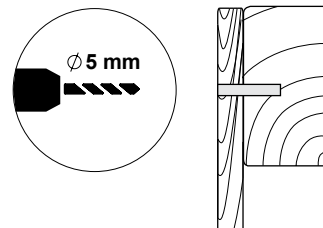
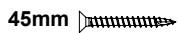
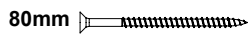
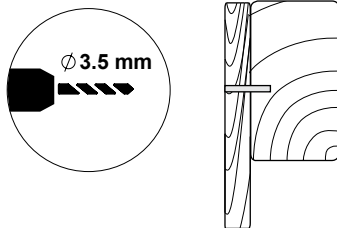
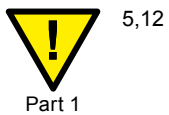
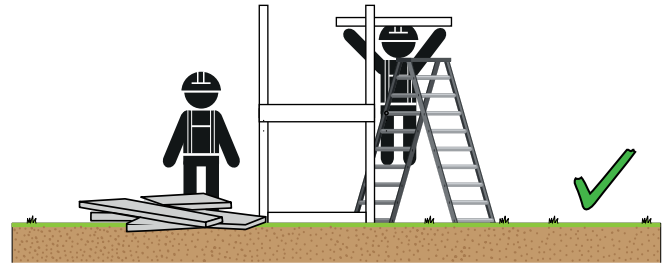
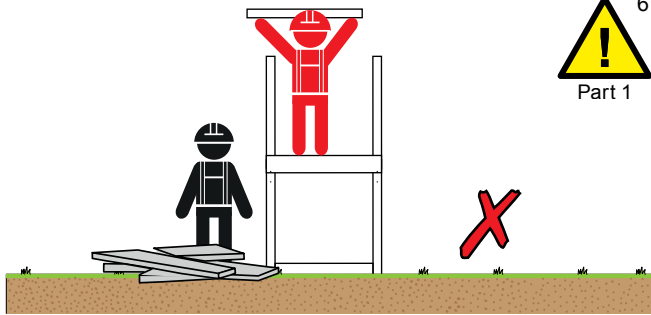
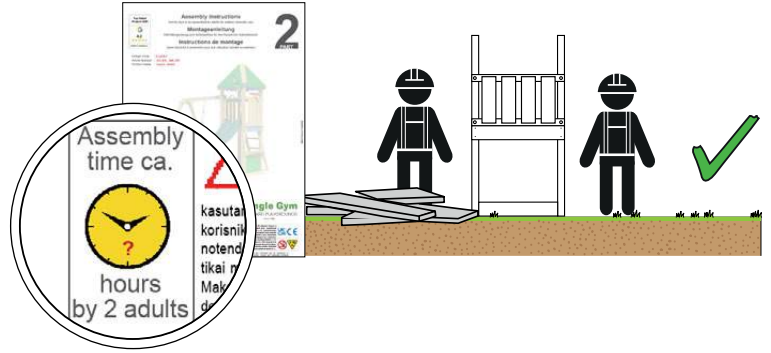
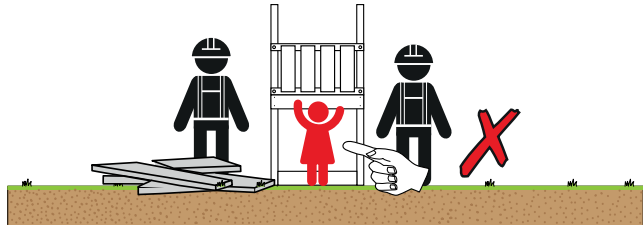
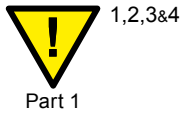
Optional: Post anchors



Assembly and safety notices

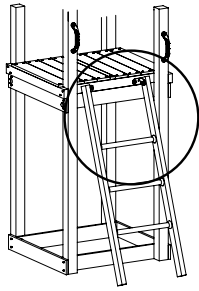
Montage- und Sicherheitshinweise

Instructions de montage et de sécurité

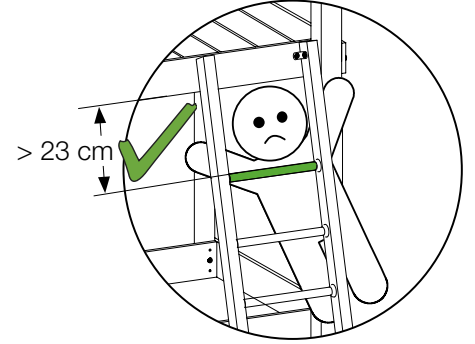
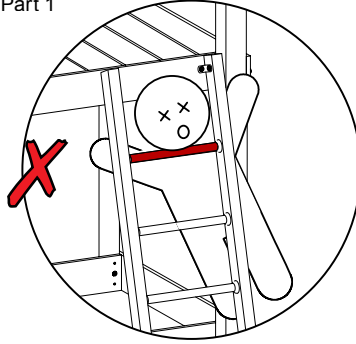




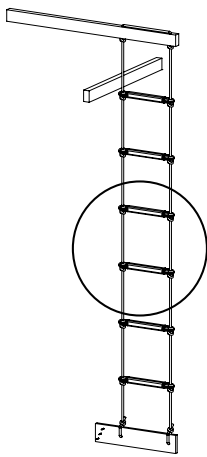
Part 1



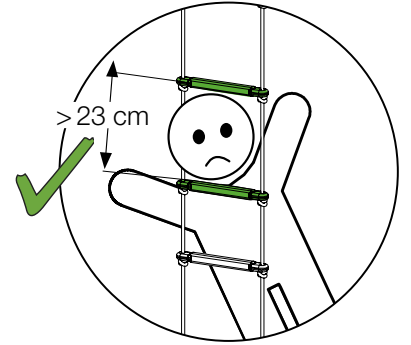
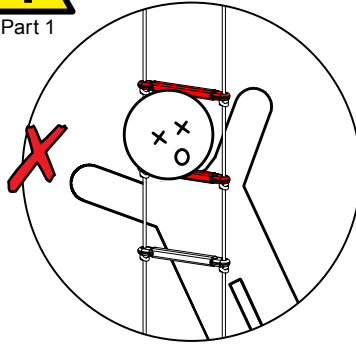
Part 1



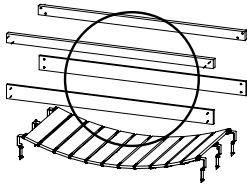
Part 1



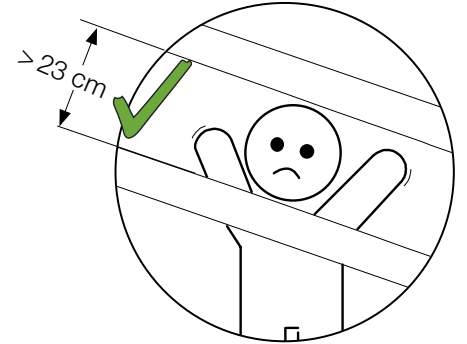
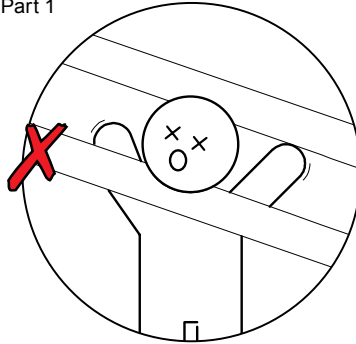
Part 1



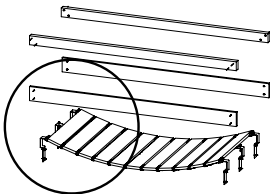
Part 1



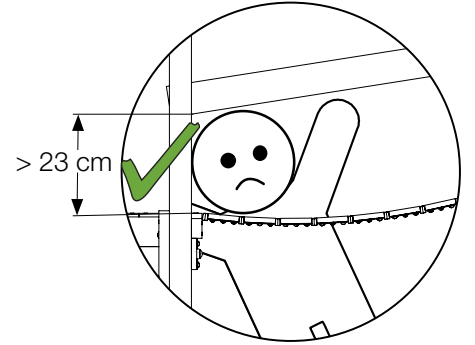
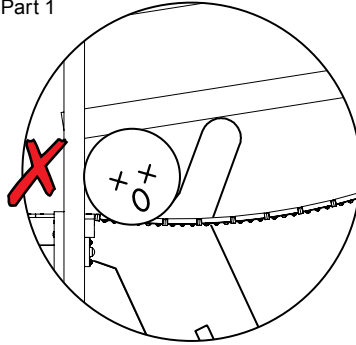
Part 1



Part 1



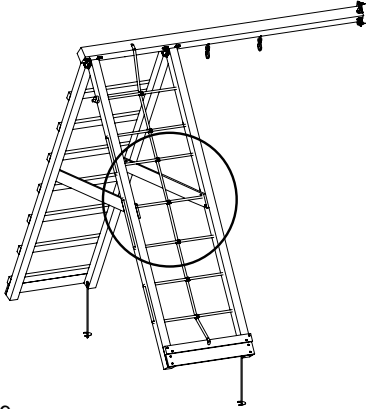
Part 1





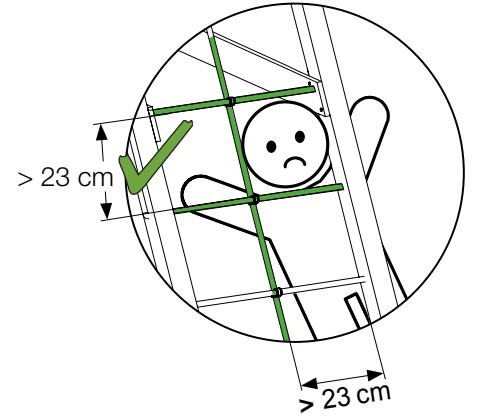
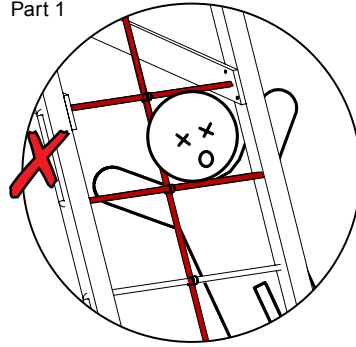
8&9

Part 1



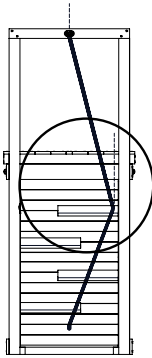
9

Part 1



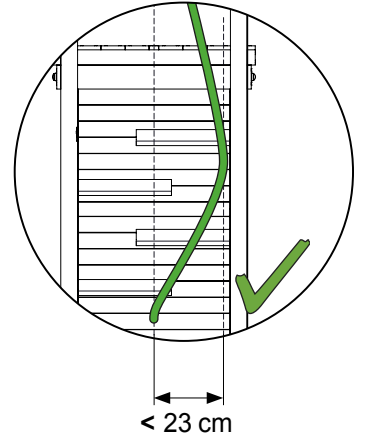
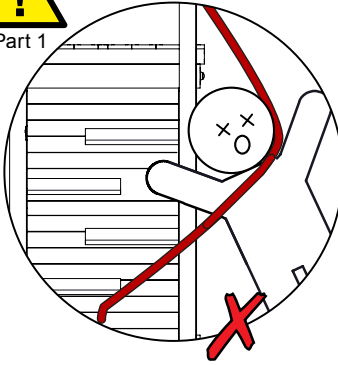
8&9

Part 1



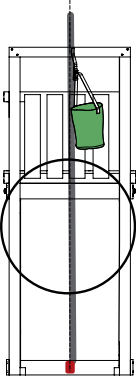
9

Part 1



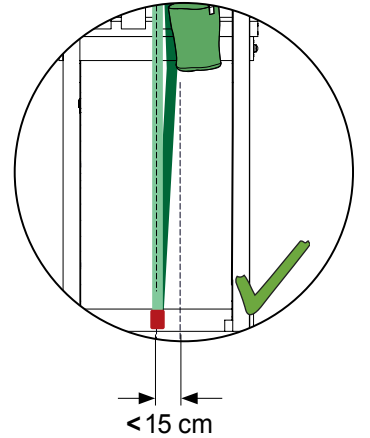
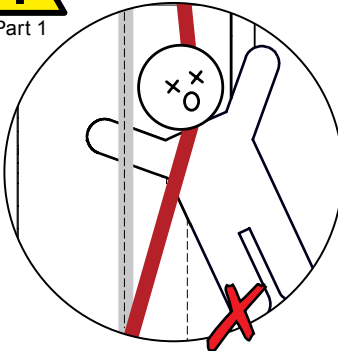
8&9

Part 1



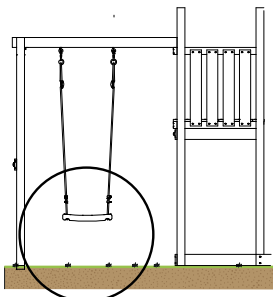
9

Part 1



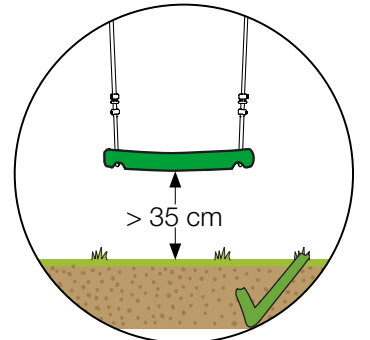
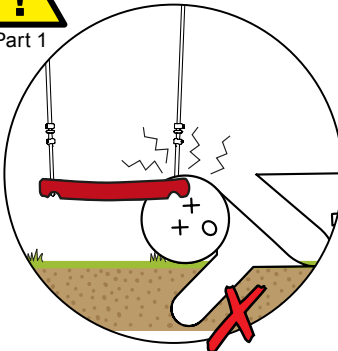
8&9

Part 1



3

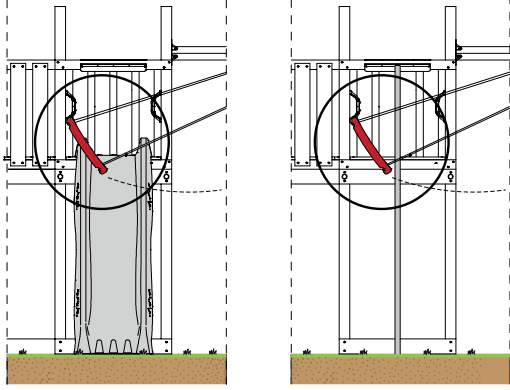
Part 1





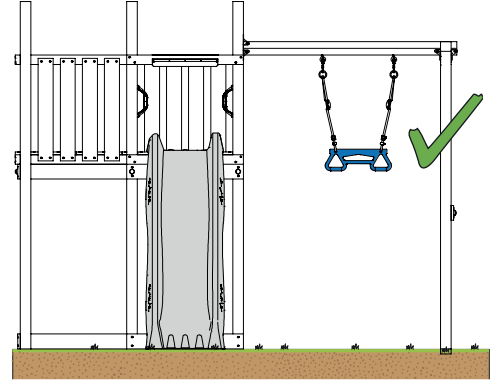
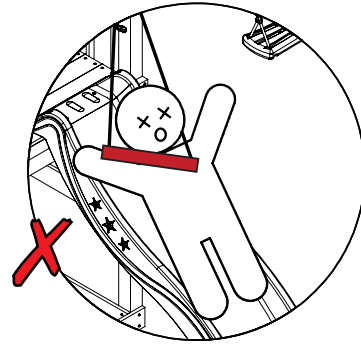
10

Part 1



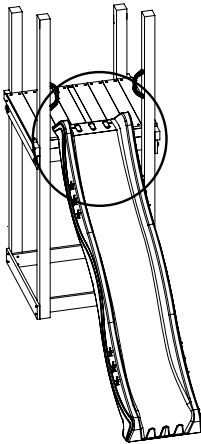
4&9

Part 1



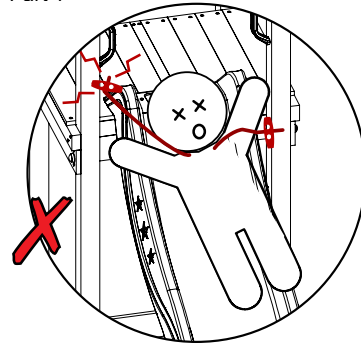
10

Part 1

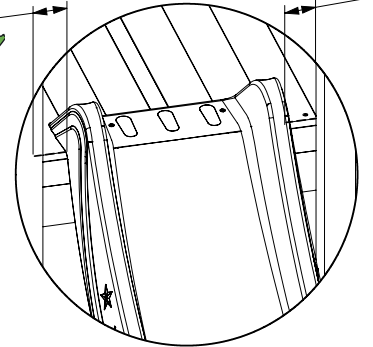


4&9

Part 1

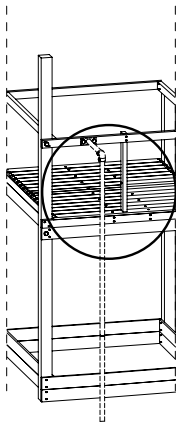


min. 26 mm
max. 75 mm



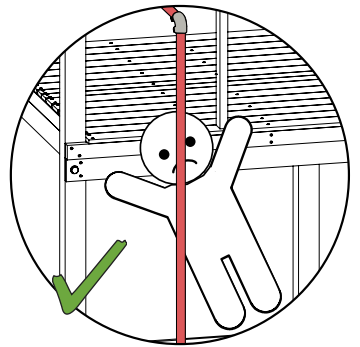
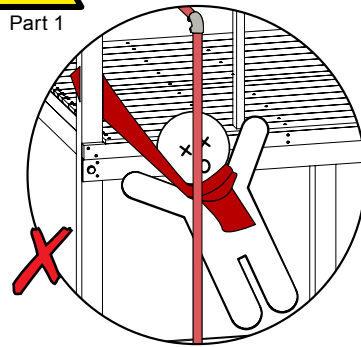
10

Part 1



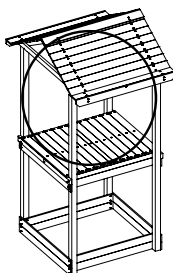
4&9

Part 1



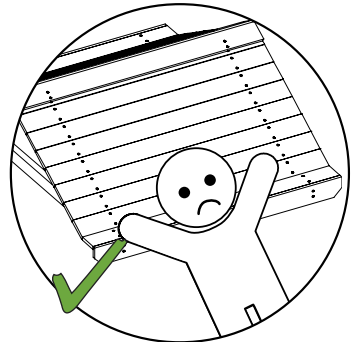
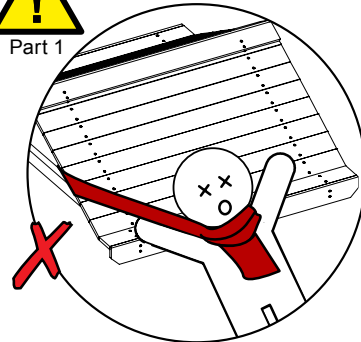
13

Part 1



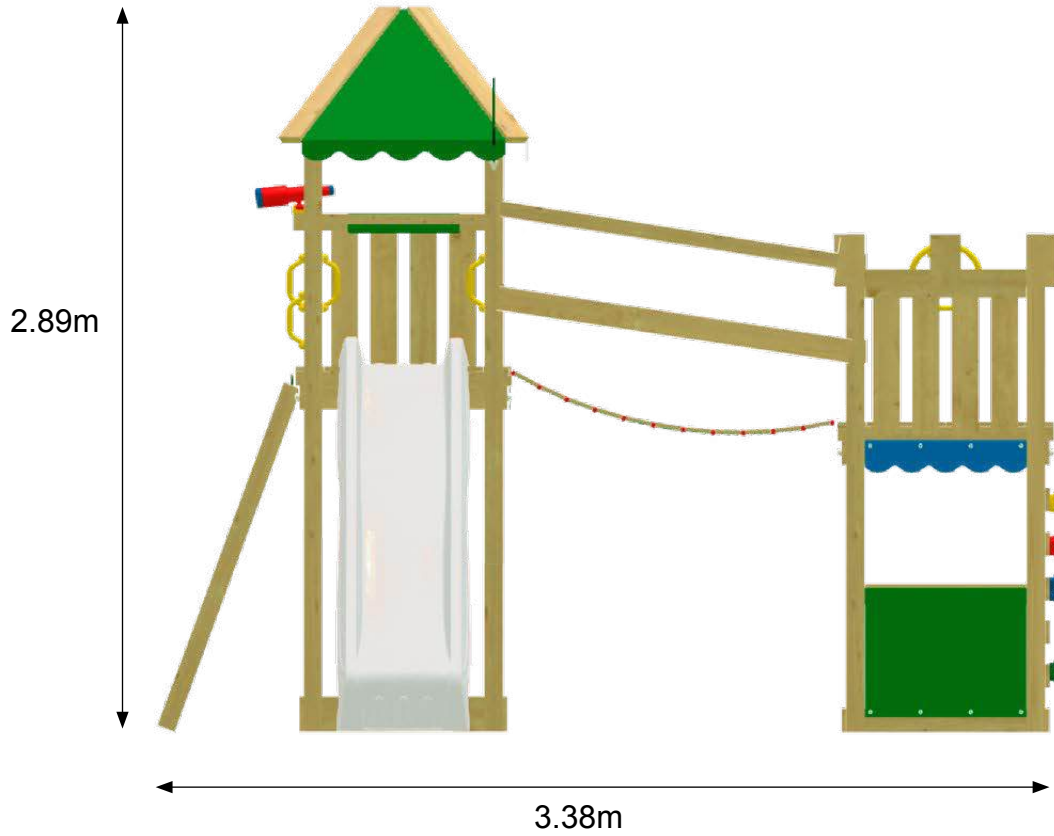
4&9

Part 1



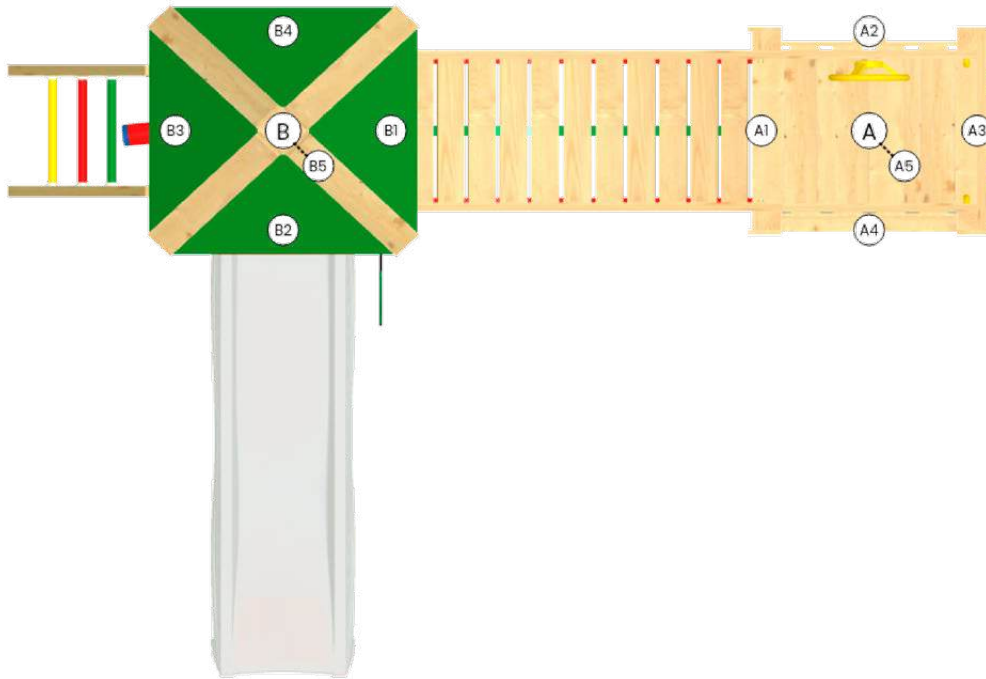


Dimensions Abmessungen Dimensions





Assembly sequence Montagereihenfolge Séquence d'assemblage



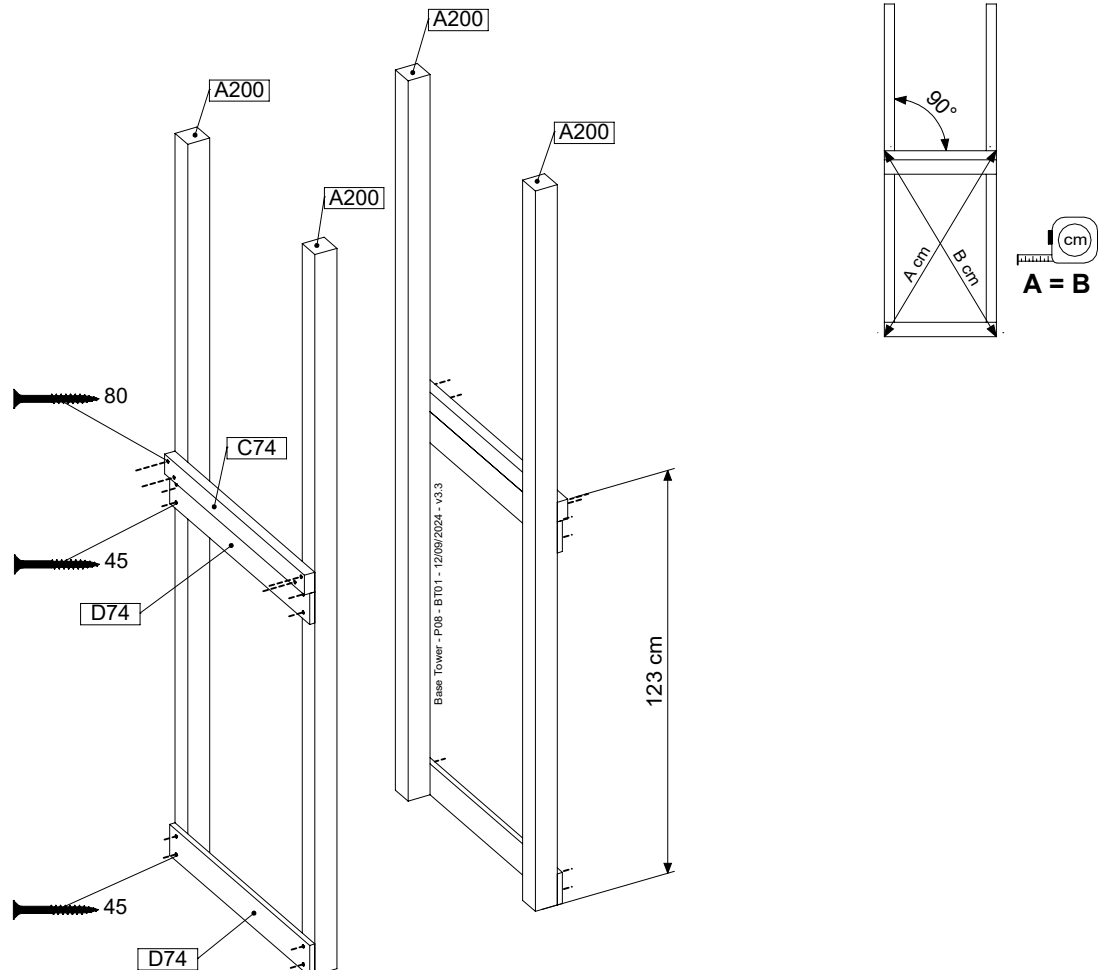
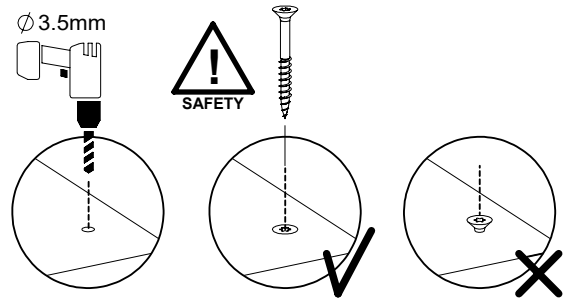
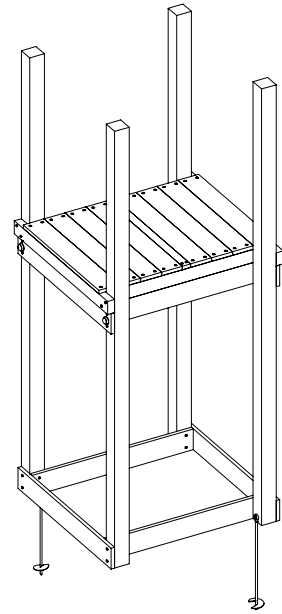
	ID			A	B
1	BT01a		p.19	✓	-
2	BT06a		p.21	-	✓
3	BL01a		p.23	A2, A4	B4
4	RF05a		p.24	-	B5
5	RF06a		p.29	A5	-
6	CB01a		p.30	A1	B1
7	RW02a		p.34	A3	-
8	LA04a		p.36	-	B3
9	MT01a		p.39	A4	-
10	SL03a		p.43	-	B2
11	GA		p.46	✓	✓
12	AC01a		p.48	-	B1

1 BT01a: Base Tower 80 125cm 200200

Assembly Pack: 194_100

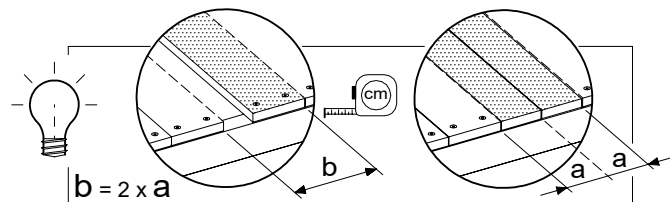
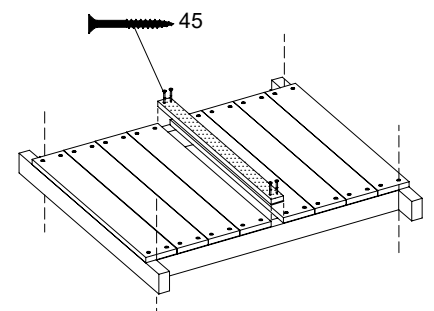
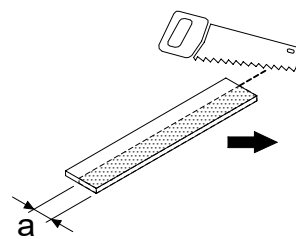
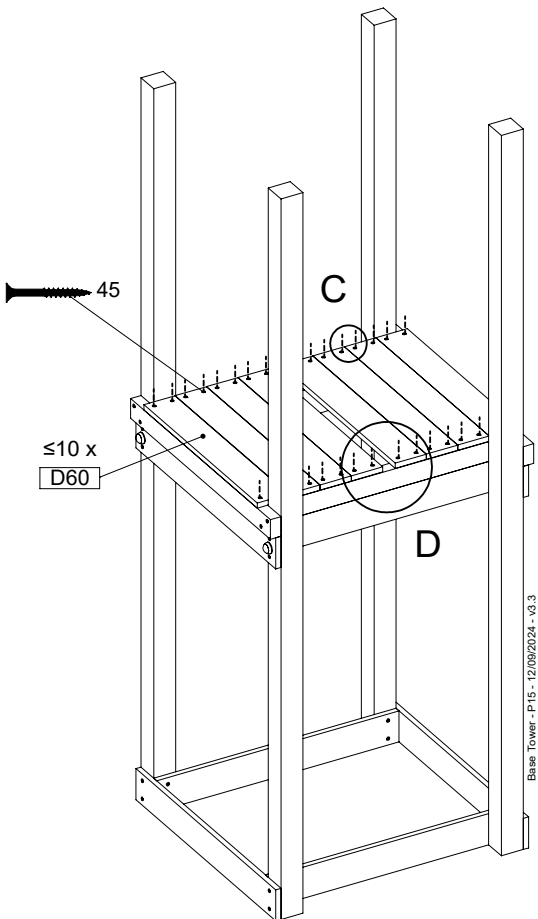
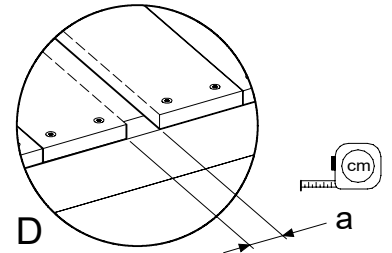
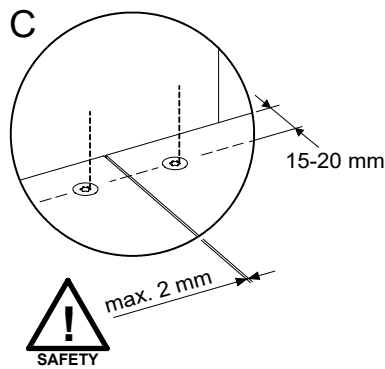
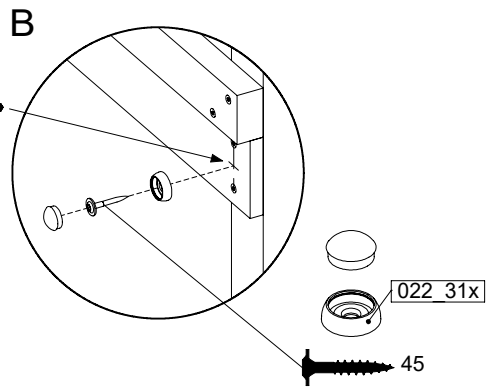
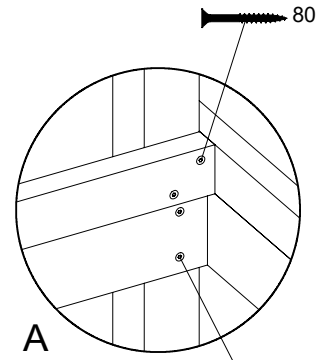
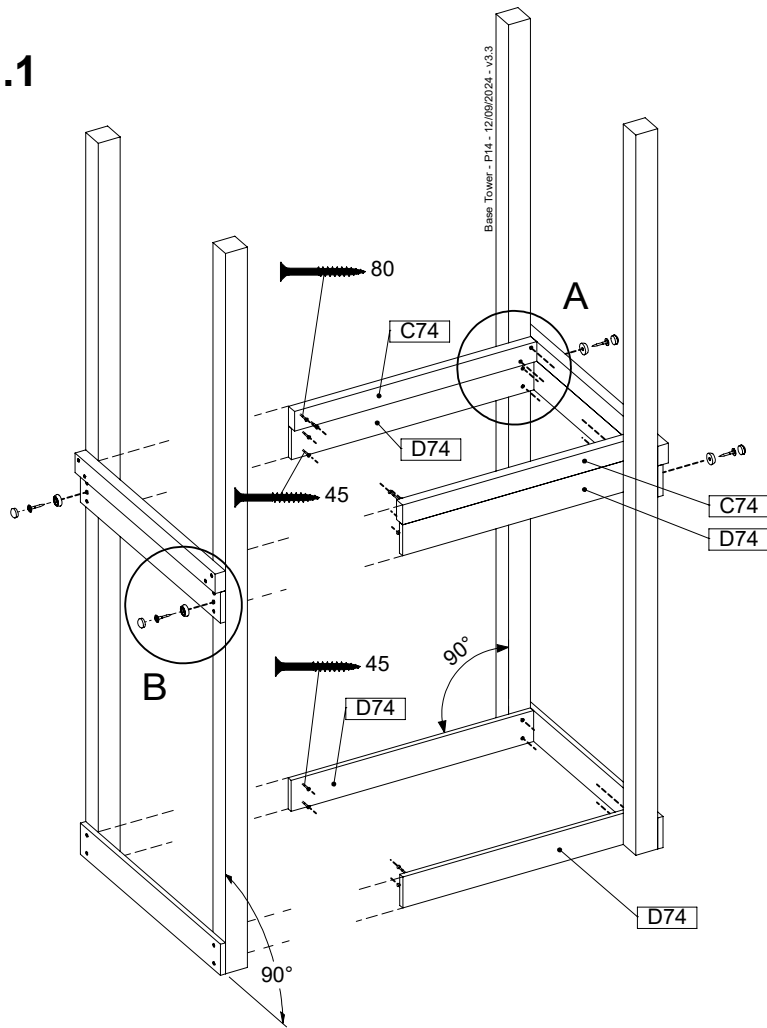
	PartNo	PartName	QTY.
Hardware + Parts	001_406	Stealth Screw 8x45	6
	002_220	Gap Point Screw T25 - 5x45	72
	002_223	Gap Point Screw T25 - 5x80	16
	007_001	Ground-anchor	2
	022_31x	bpc-base version 3	4
	022_84x	bpc cover	4
Timber	A200	Post ca.70x70 L2000	4
	C74	Beam 740 mm	4
	D60	Board 600 mm	10
	D74	Board 740 mm	8

Base Tower - P02 - BT01 - 12/09/2024 - v3.3



1.1

Base Tower - P14 - 12/09/2024 - v3.3

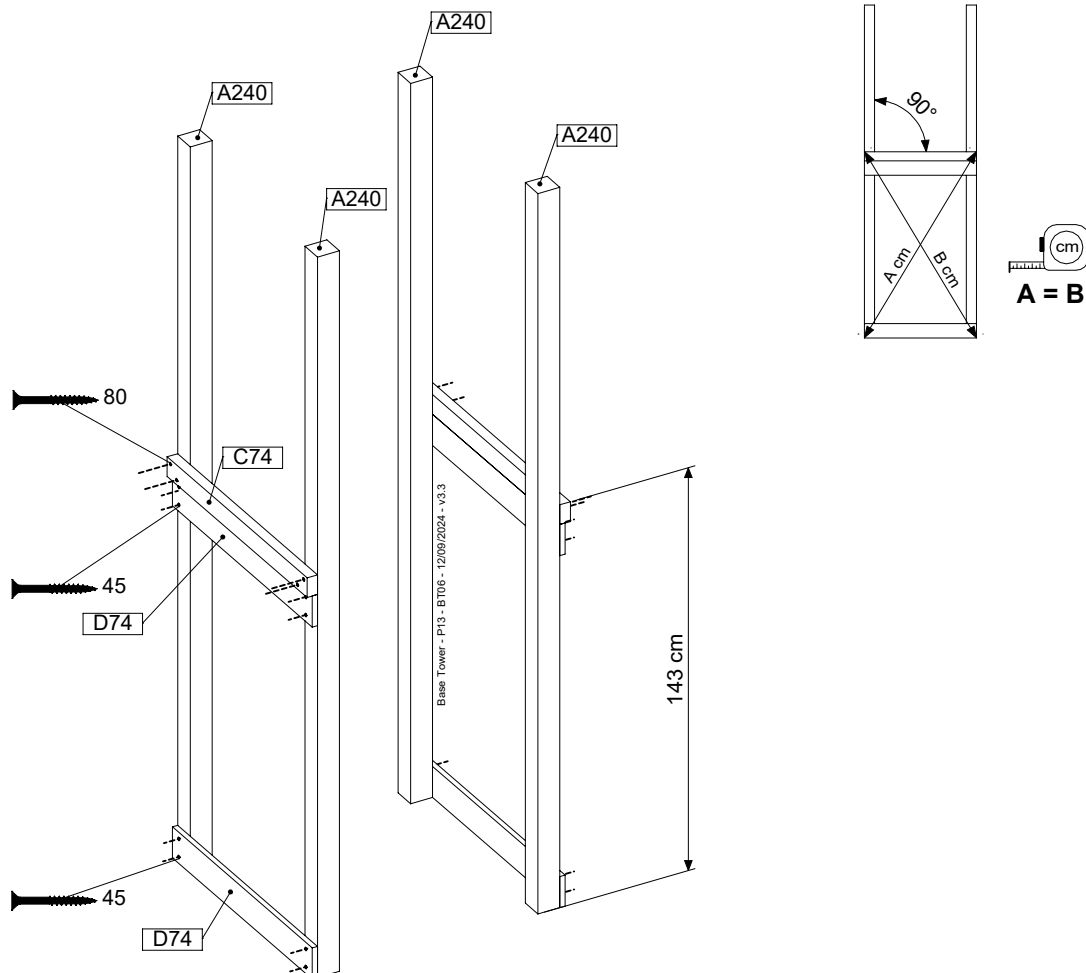
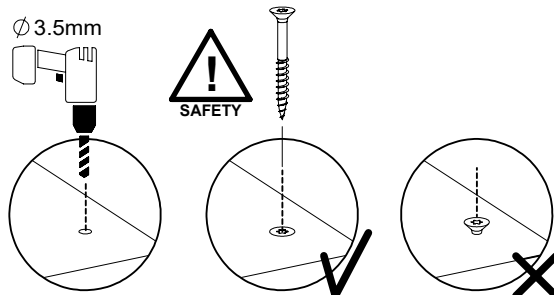
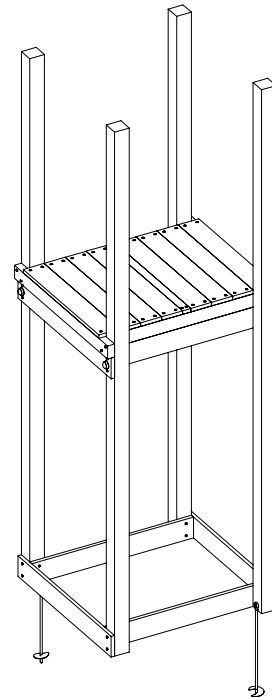


2. BT06a: Base Tower 80 145cm 240240

Assembly Pack: 194_100

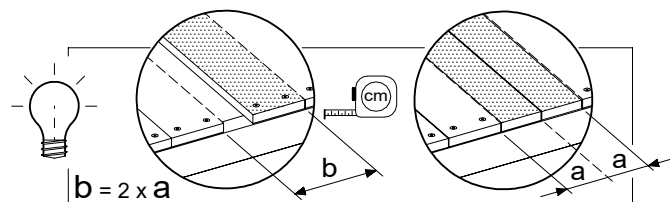
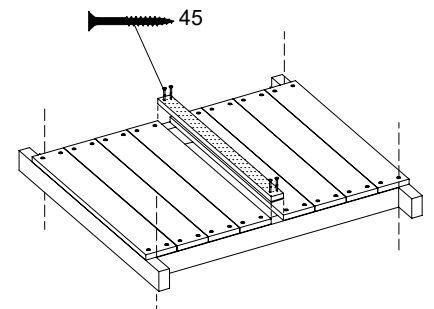
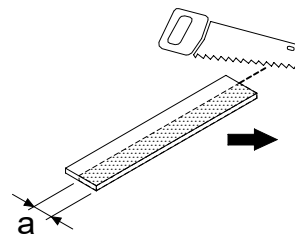
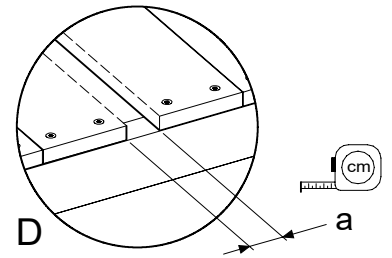
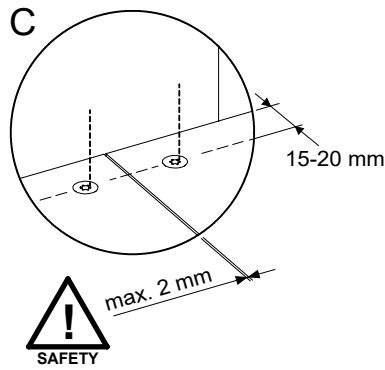
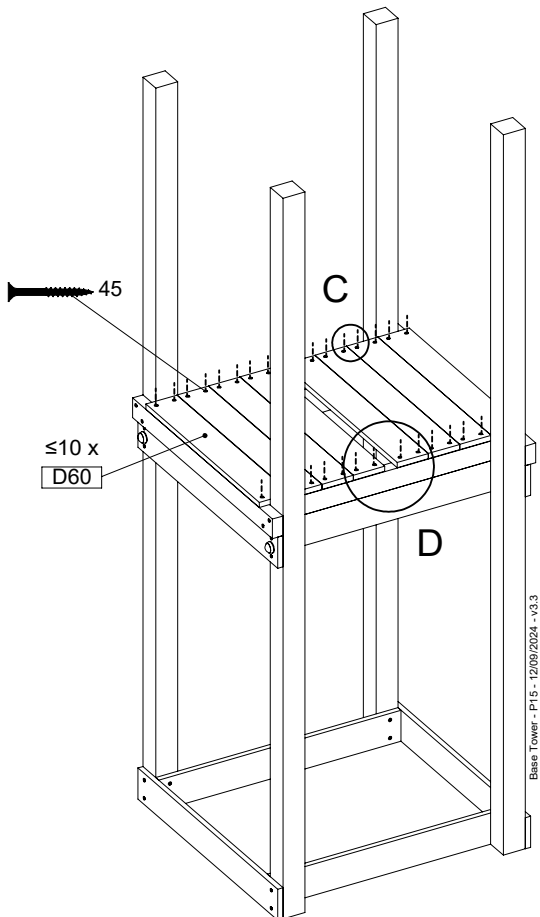
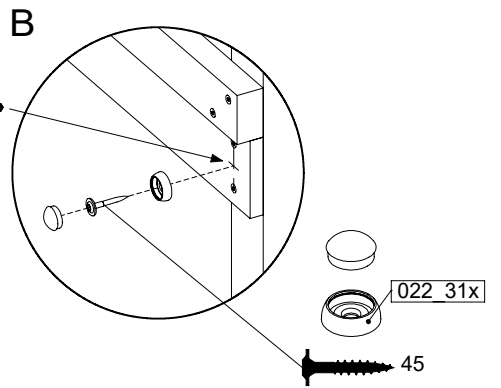
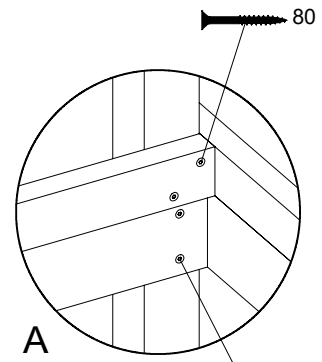
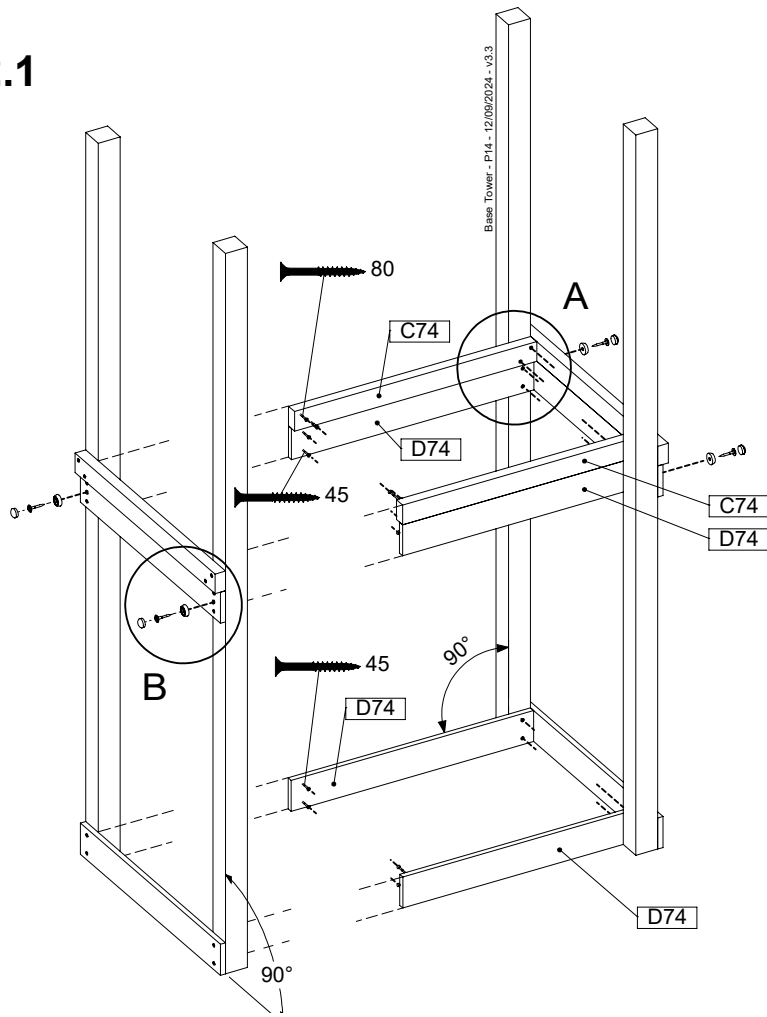
	PartNo	PartName	QTY.
Hardware + Parts	001_406	Stealth Screw 8x45	6
	002_220	Gap Point Screw T25 - 5x45	72
	002_223	Gap Point Screw T25 - 5x80	16
	007_001	Ground-anchor	2
	022_31x	bpc-base version 3	4
	022_84x	bpc cover	4
Timber	A240	Post ca.70x70 L2400	4
	C74	Beam 740 mm	4
	D60	Board 600 mm	10
	D74	Board 740 mm	8

Base Tower - P07 - BT06 - 12/09/2024 - v3.3



Manual ID: 040_080_2413

2.1

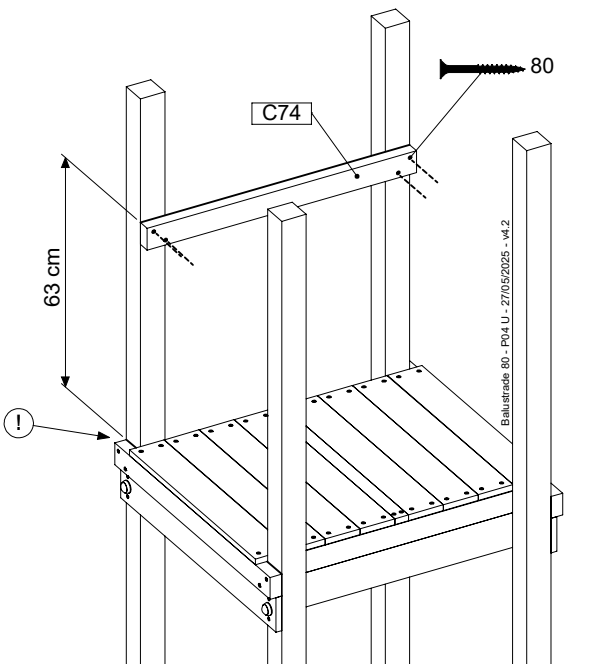
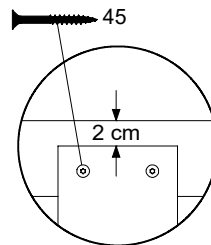
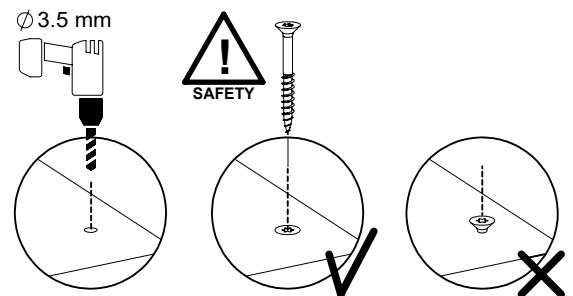
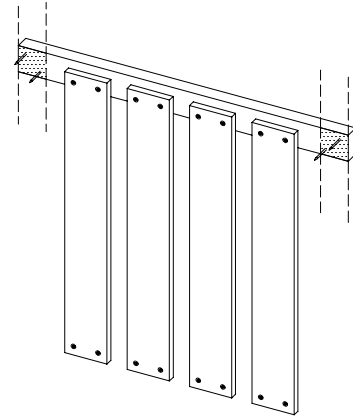


3 BL01a: Balustrade 80 U - 7x7 posts

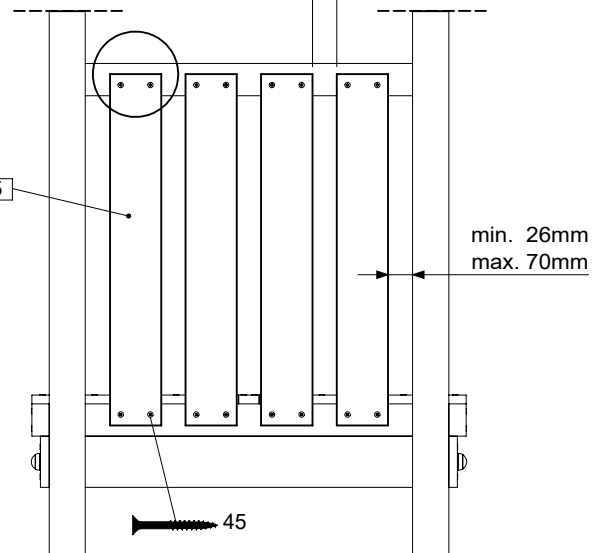
Assembly Pack: 194_101

	PartNo	PartName	QTY.
Hardware + Parts	002_220	Gap Point Screw T25 - 5x45	16
	002_223	Gap Point Screw T25 - 5x80	4
Timber	C74	Beam 740 mm	1
	D65	Board 650 mm	4

Balustrade 80 - P02 U - 27/05/2025 - v4.2



Balustrade 80 - P04 U - 27/05/2025 - v4.2

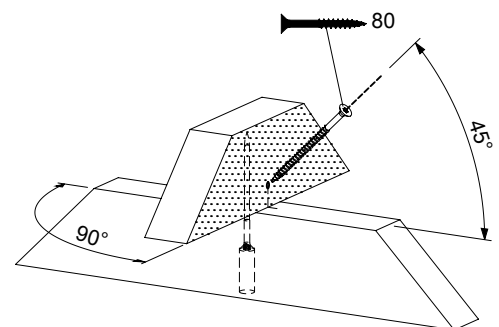
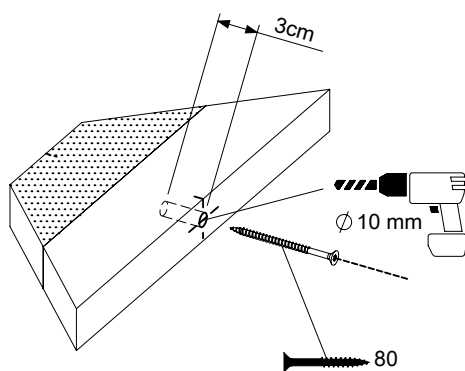
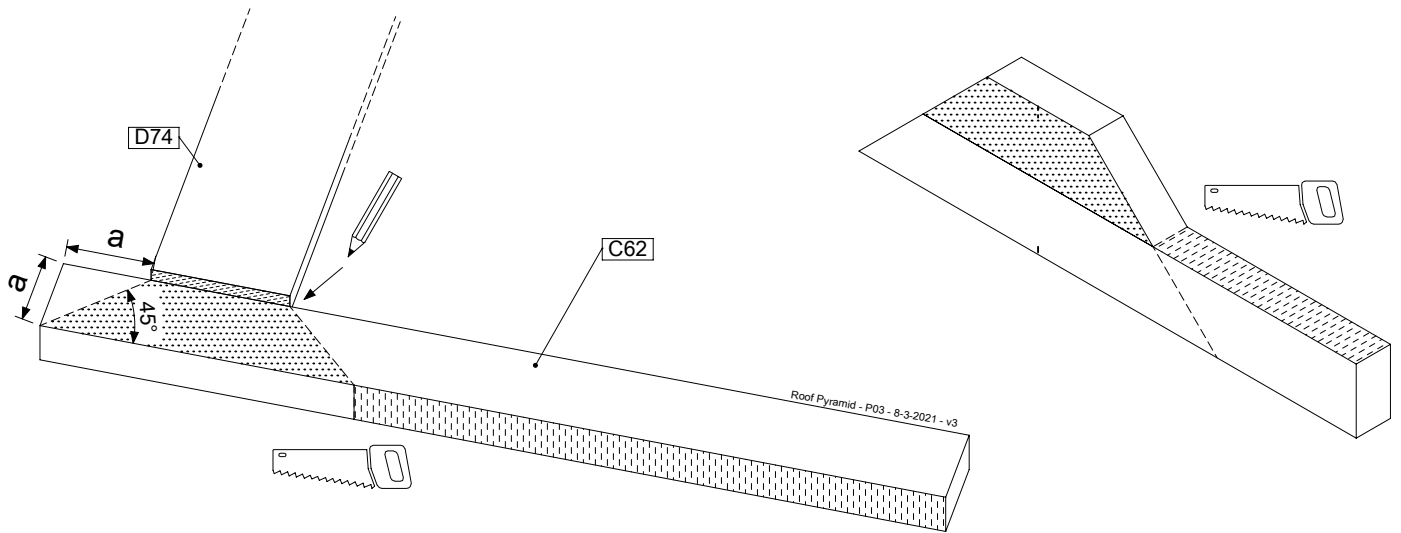
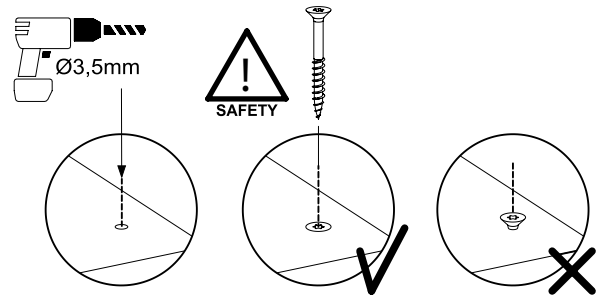
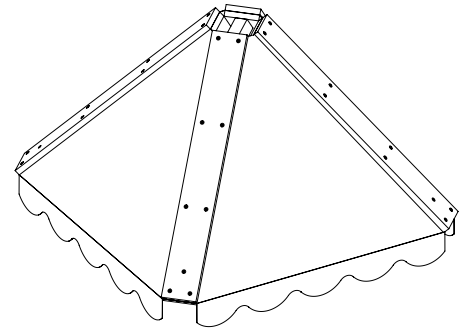


4 RF05a: Roof Canvas Pyramid 80

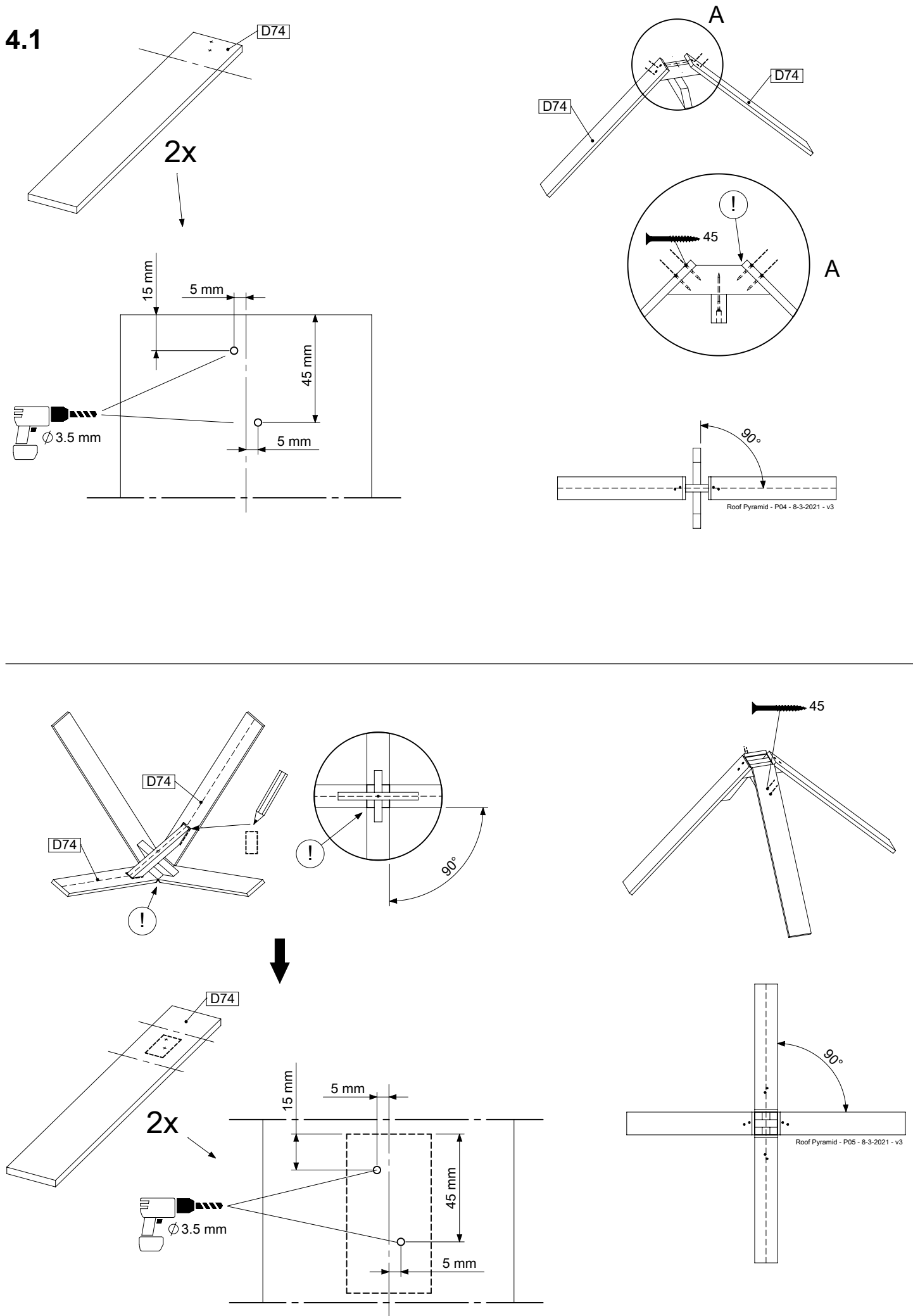
(194_109)

	PartNo	PartName	QTY.
Hardware Pack 100_607	002_219	Gap Point Screw T25 - 5x30	32
	002_220	Gap Point Screw T25 - 5x45	8
	002_223	Gap Point Screw T25 - 5x80	6
Other	123_220	Canvas sheet 735 x 1365mm (fits 2 sides)	2
Wood	C62	Beam 620 mm	1
	D74	Board 740 mm	8

Roof Pyramid - P02 - 8-3-2021 - v3

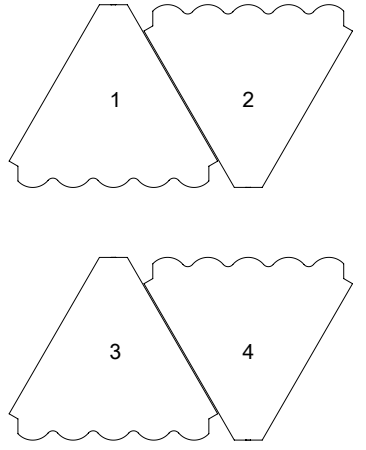
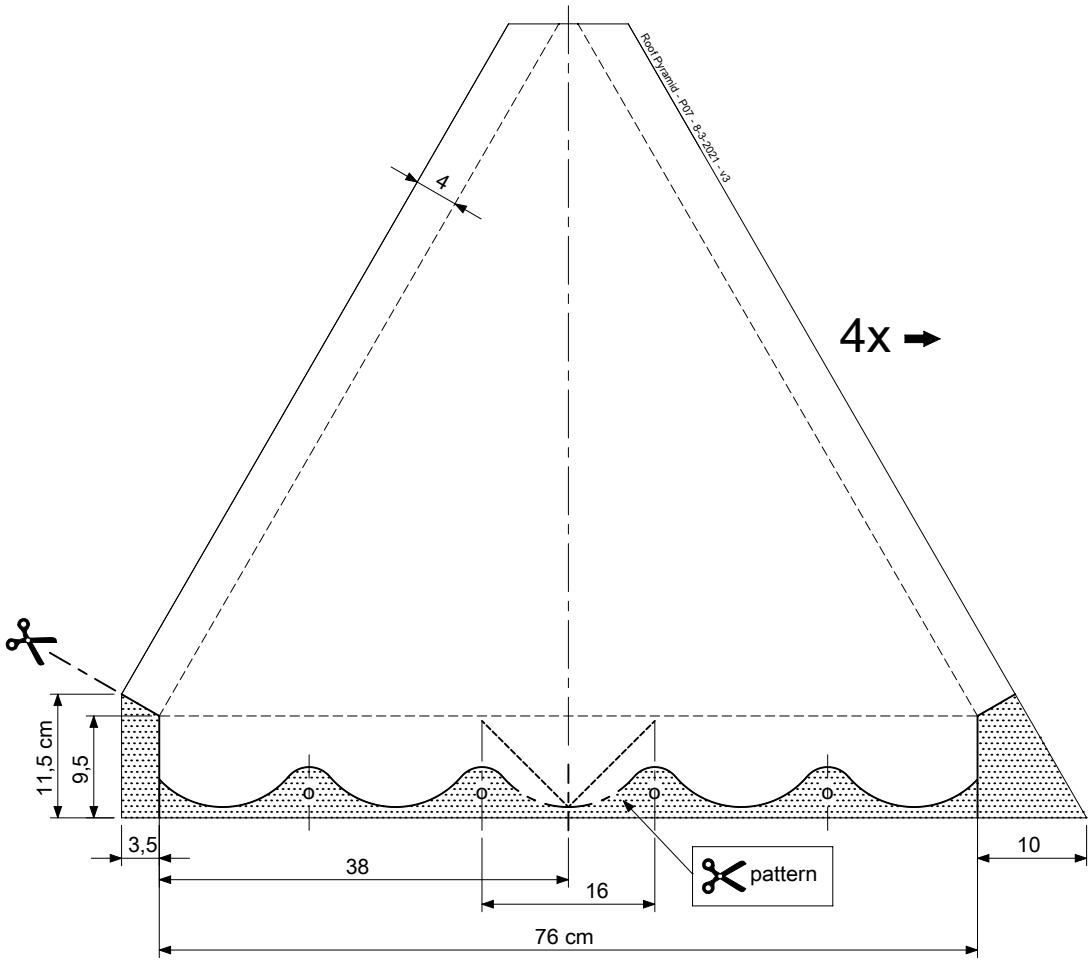
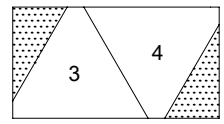
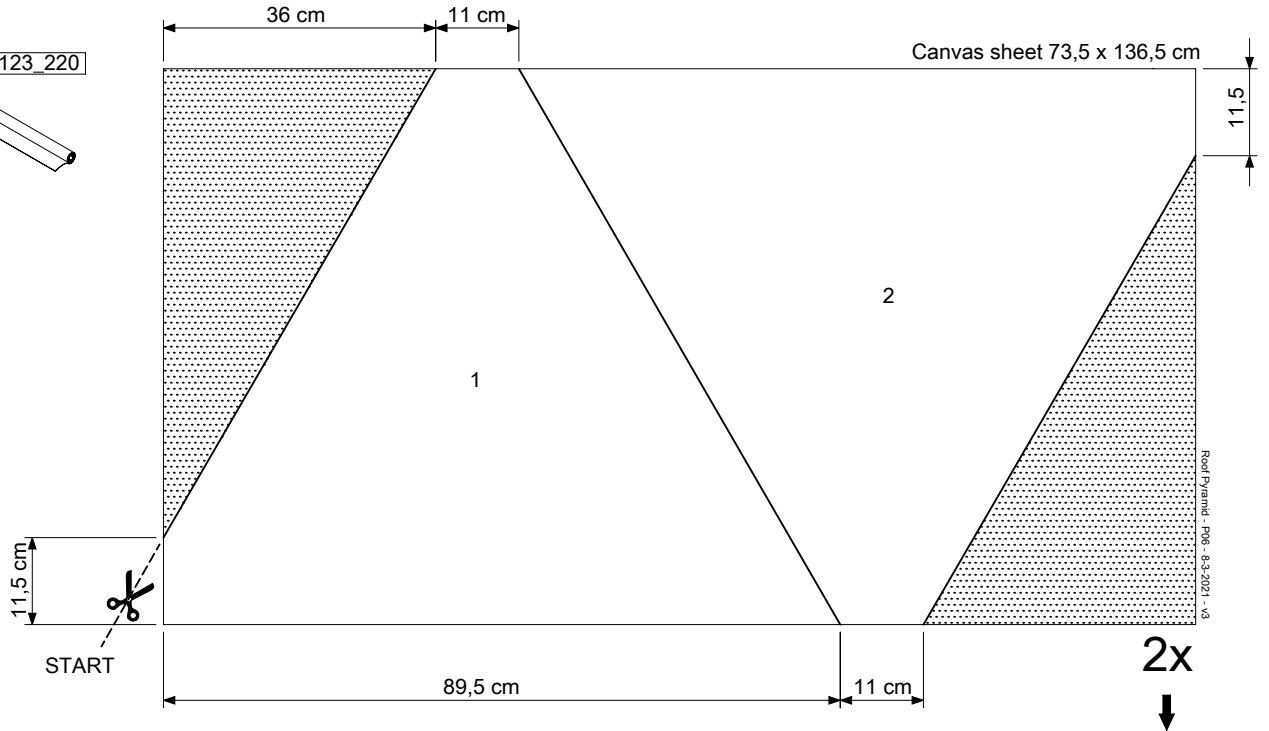
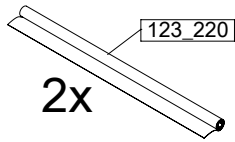


4.1



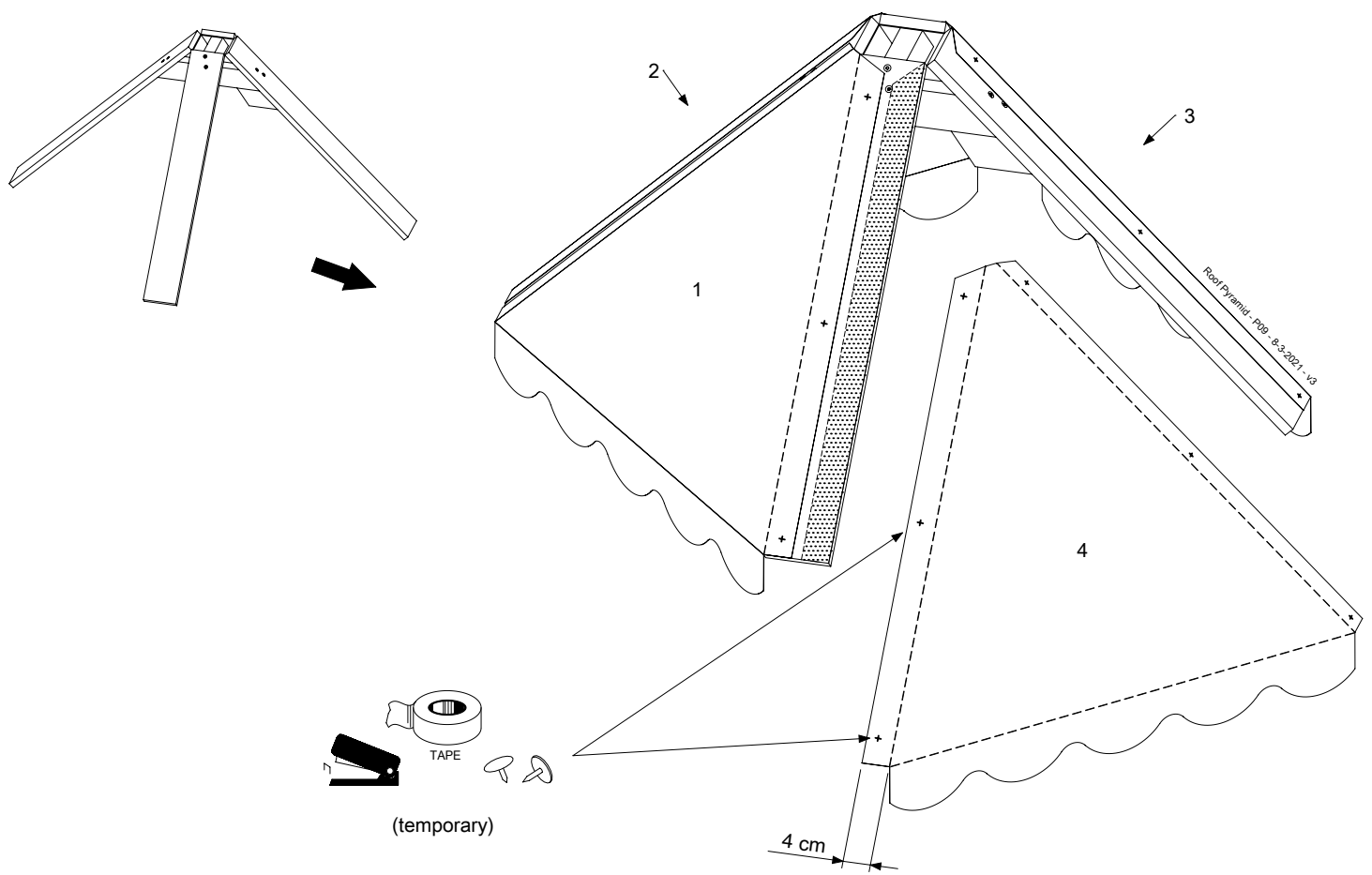
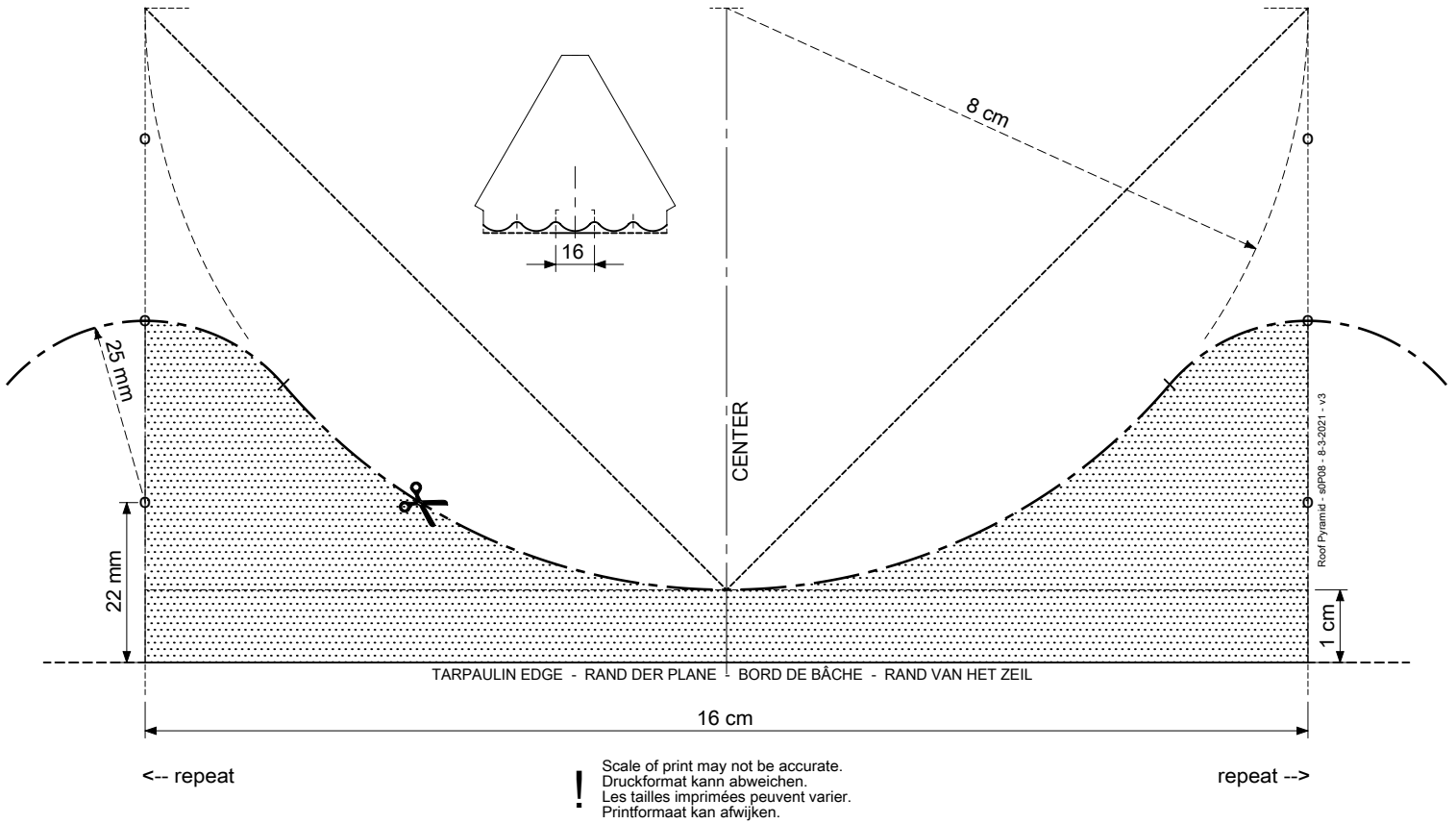
Manual ID: 040_C9F1_2413

4.2

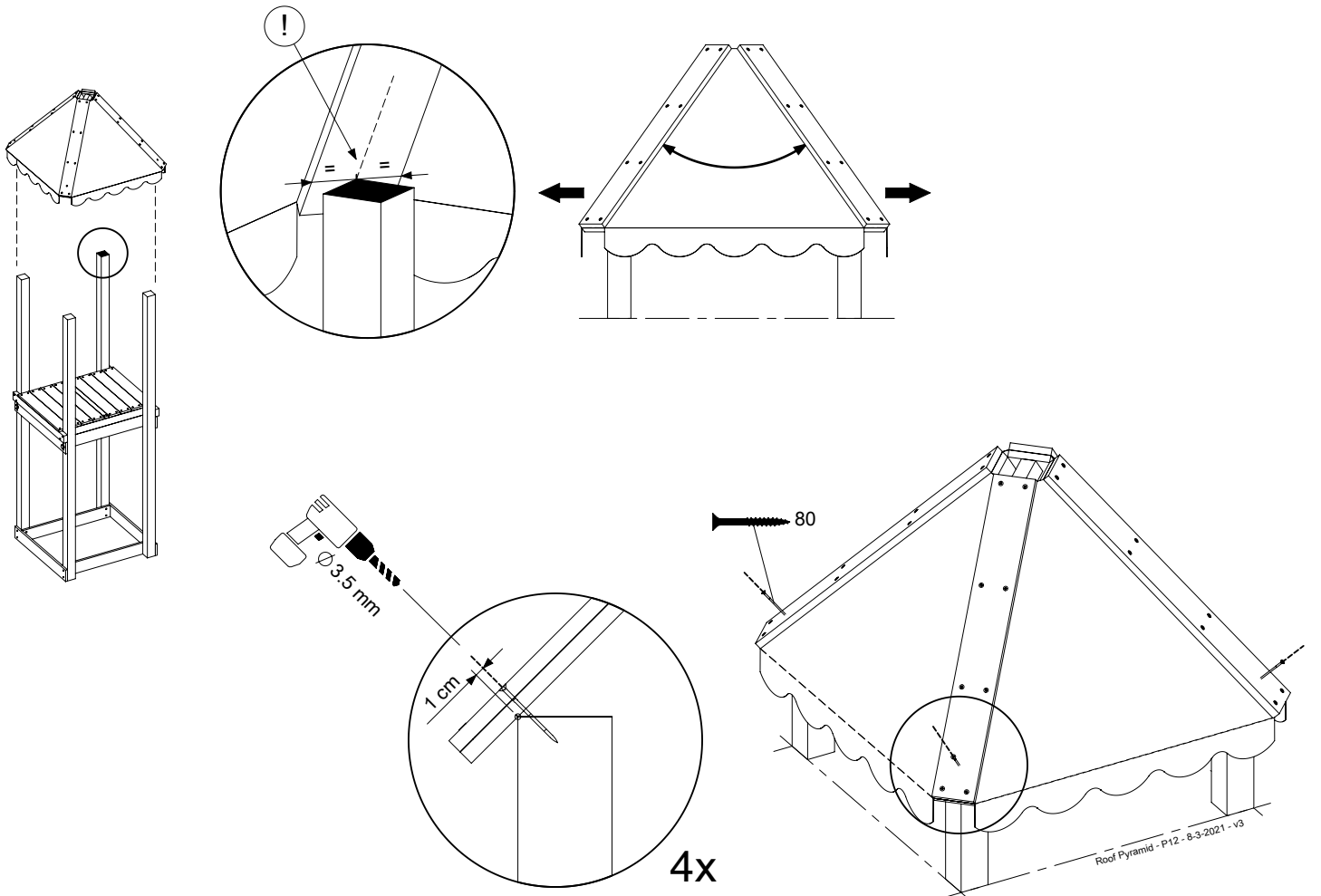
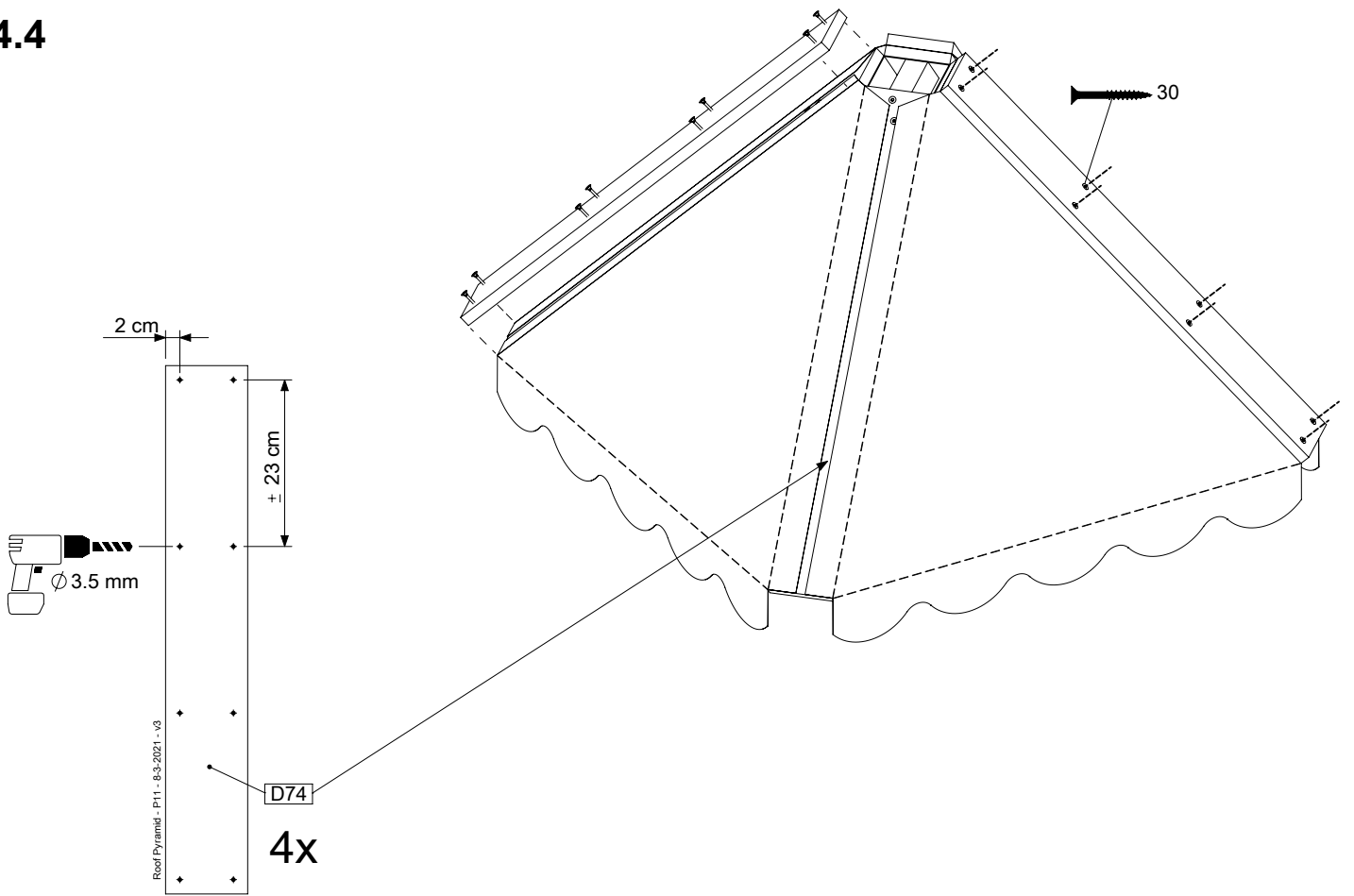


4.3

EXAMPLE PATTERN FOR ROOF SIDES - BEISPIELVORLAGE FÜR DACHMARKISE - SCHÉMA SUGGÉRÉ DE DÉCOUPE - VOORBEELDSJABLOON DAKLUIFEL



4.4

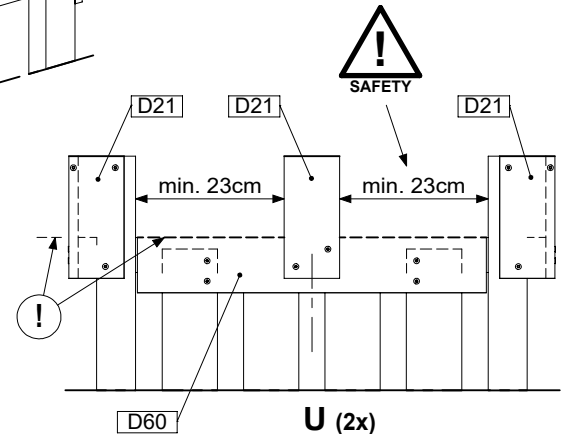
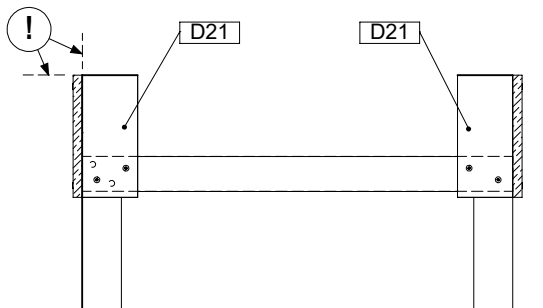
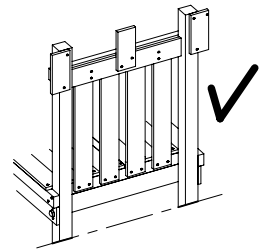
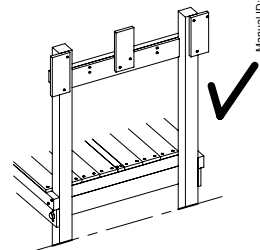
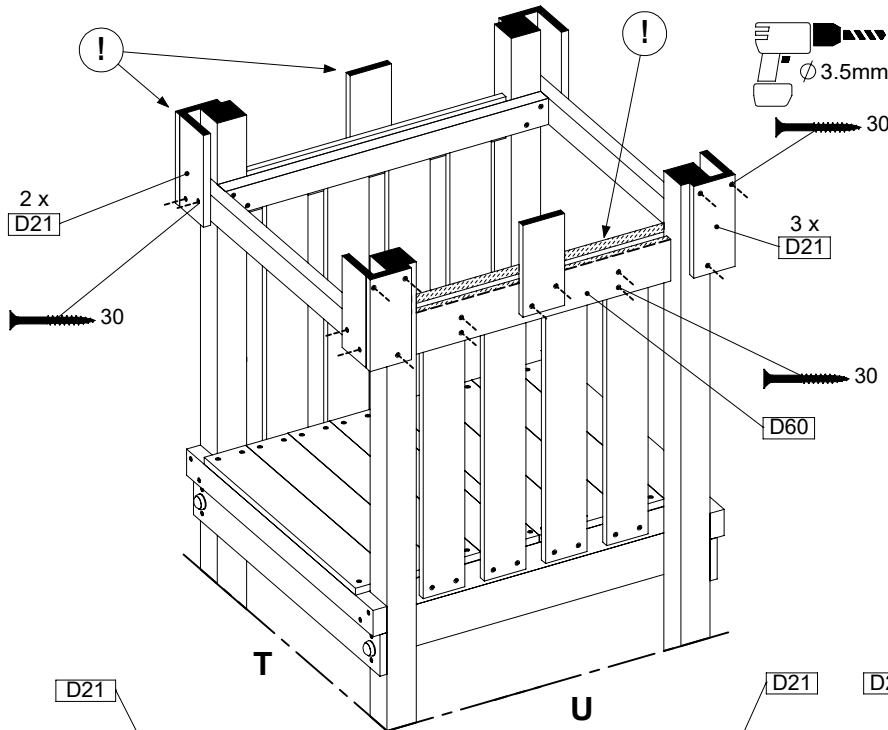
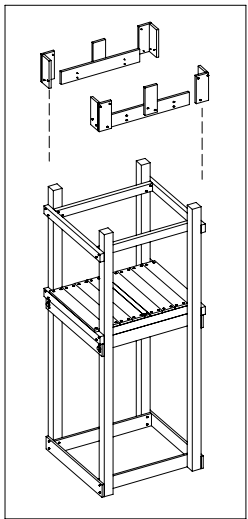
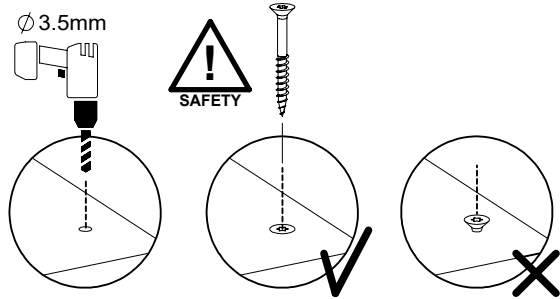
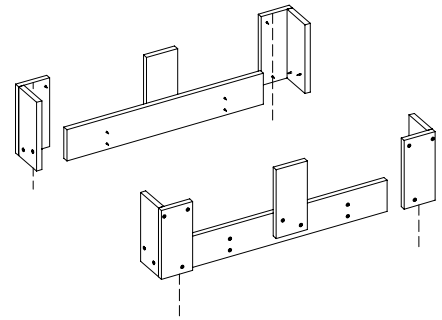


5 RF06a: Roof Timber Lookout 80

Assembly Pack: 194_112 (RF06a) / 194_806 (RF06b)

	PartNo	PartName	QTY.
Hardware	002_219	Gap Point Screw T25 - 5x30	32
Timber	D21	Board 210 mm	10
	D60	Board 600 mm	2

Roof Lookout - P02 - 19/09/2025 - v3.1



Roof Lookout - P03 - 19/09/2025 - v3.1

T (2x)

D60

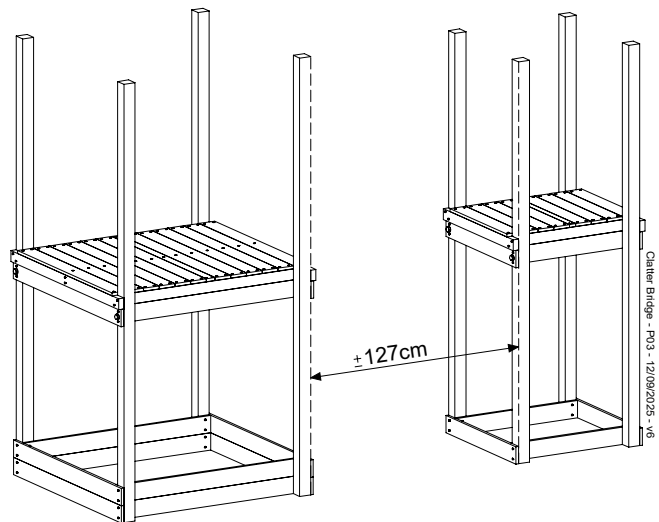
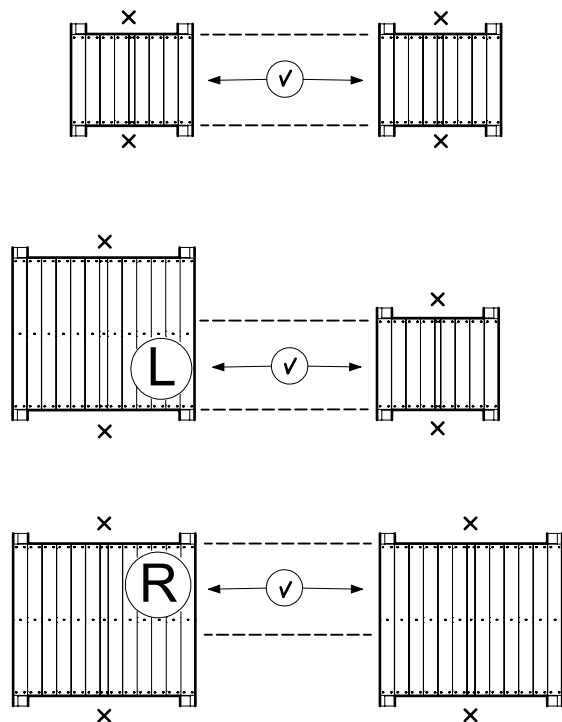
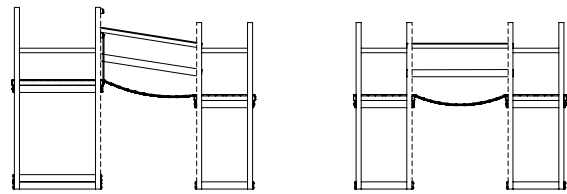
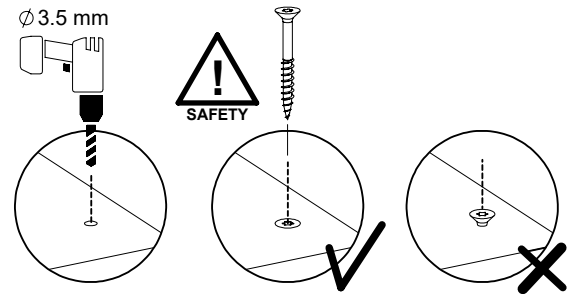
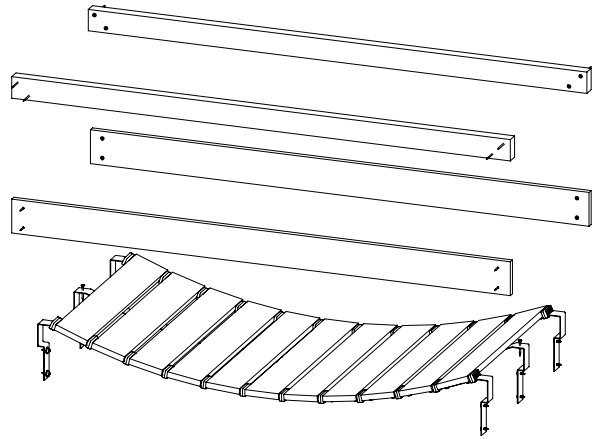
U (2x)

6 CB01a: Clatter Bridge - PART 1

Assembly Pack: 194_116

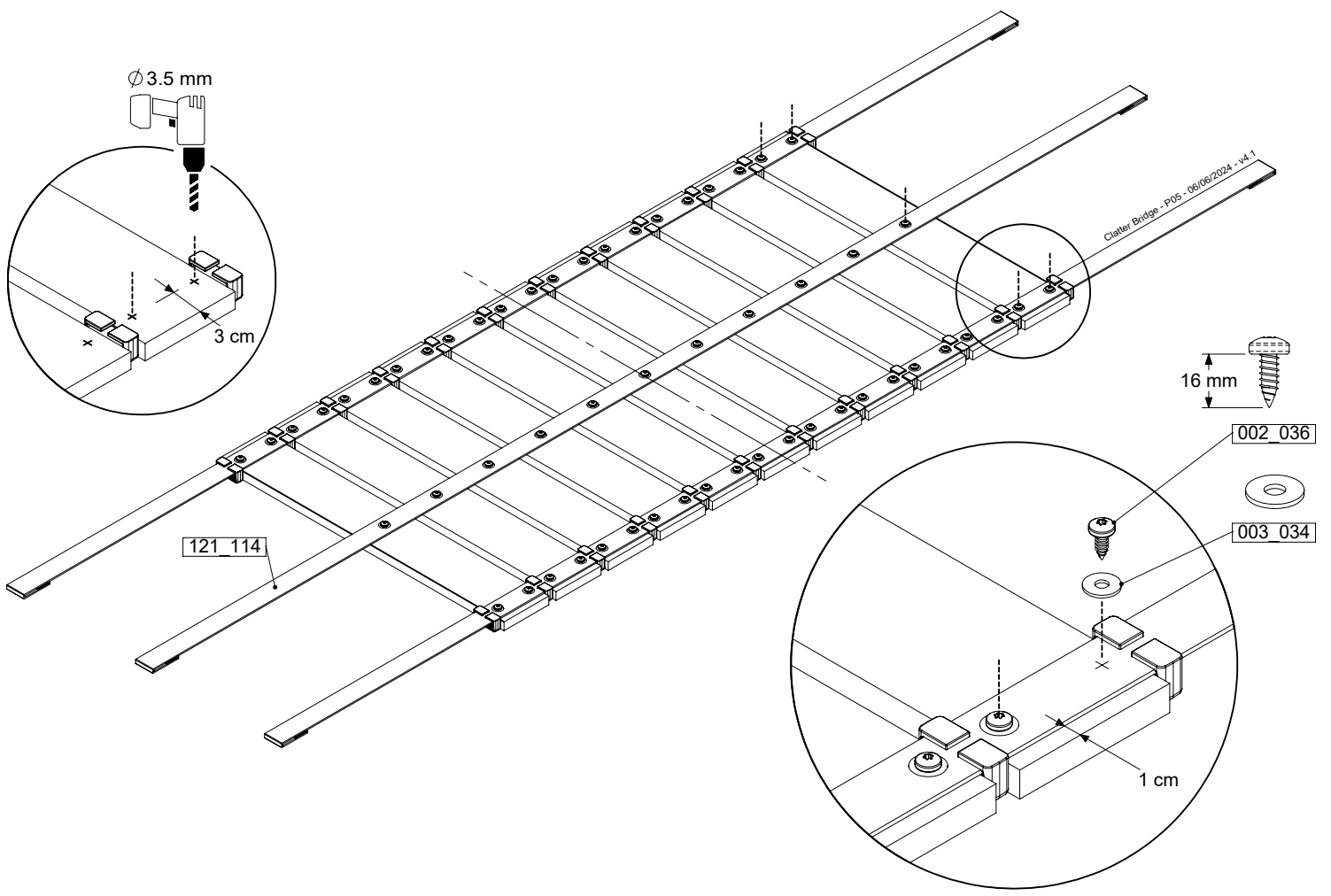
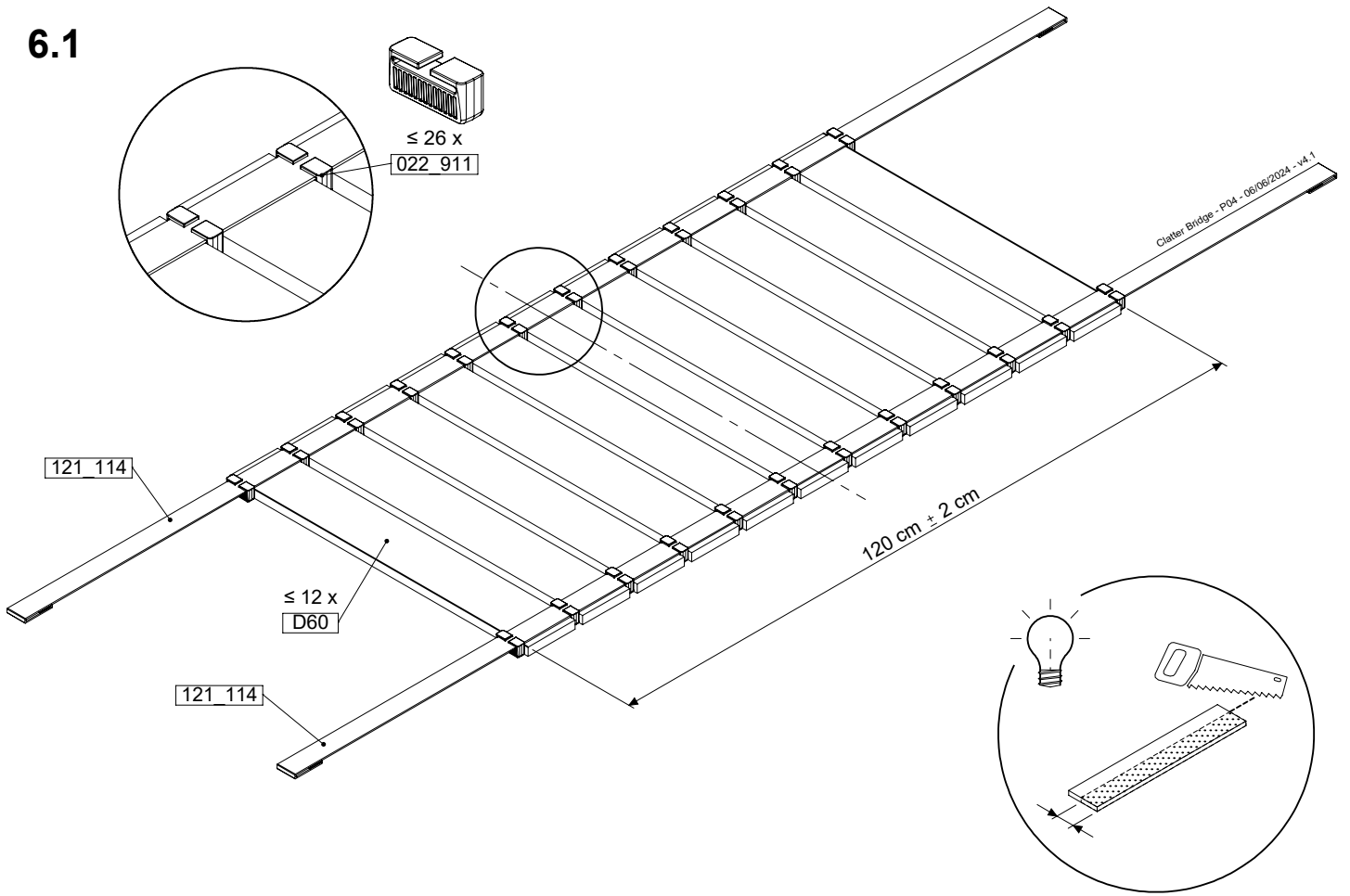
	PartNo	PartName	QTY.
Hardware + Parts	002_036	16mm Pan Head Tapping Screw T25	72
	002_220	Gap Point Screw T25 - 5x45	10
	002_223	Gap Point Screw T25 - 5x80	12
	003_034	M6 Washer	72
	022_911	Bridge Spacer	26
	121_114	BridgeLink Strap 210cm	3
Timber	C141	Beam 1410 mm	2
	D60	Board 600 mm	12
	D141	Board 1410 mm	2

Clatter Bridge - P02 - 06/06/2024 - v4.1



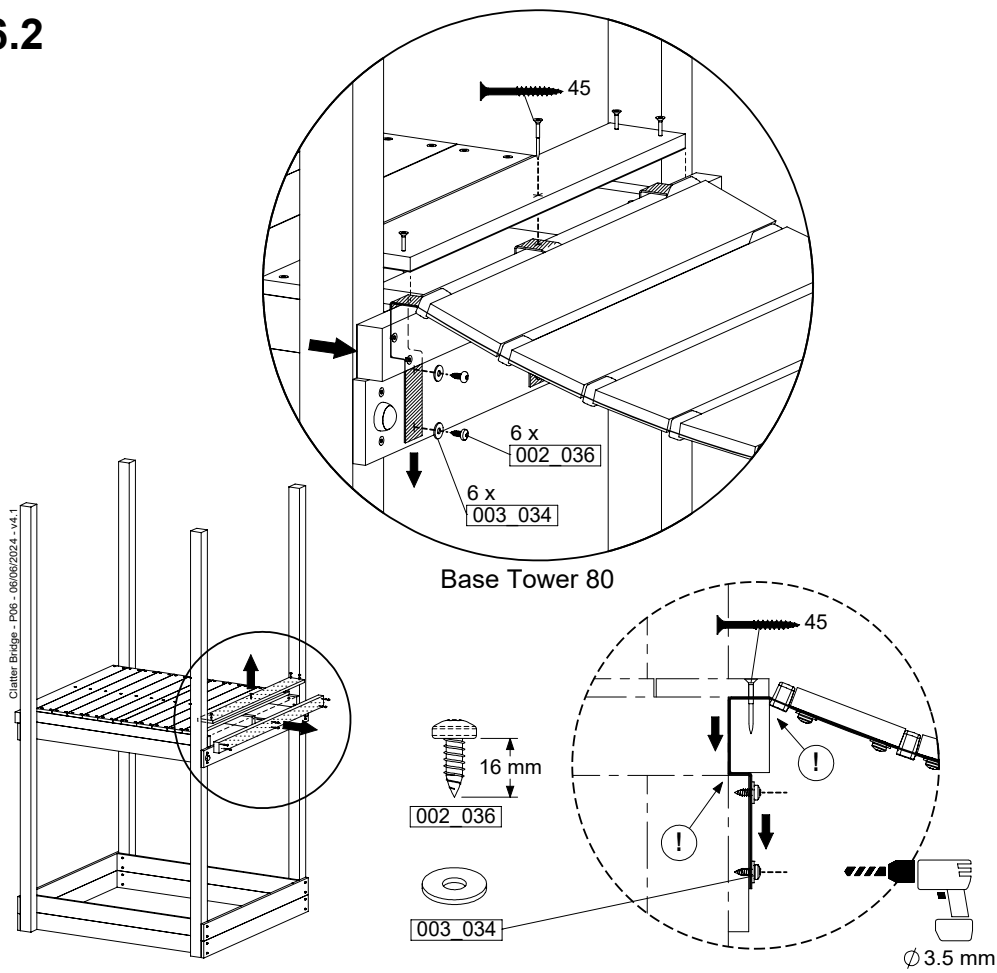
Manual ID: 040_080_2413

6.1

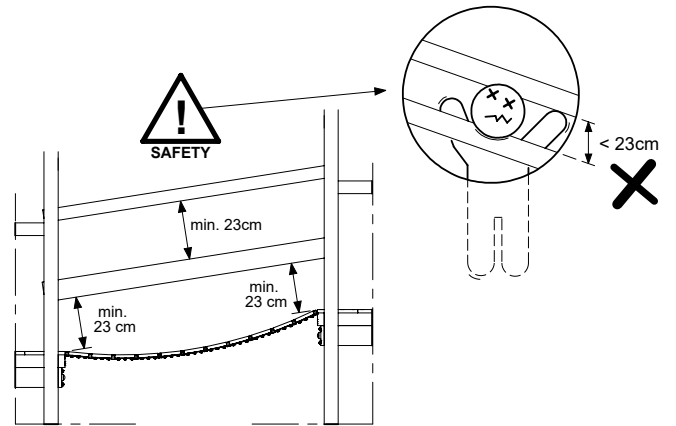
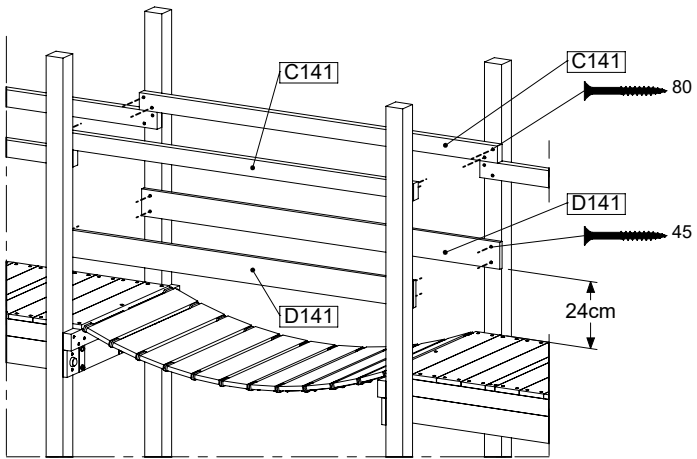


Manual ID: 040_080_2413

6.2



7 CB01a: Clatter Bridge - PART 2

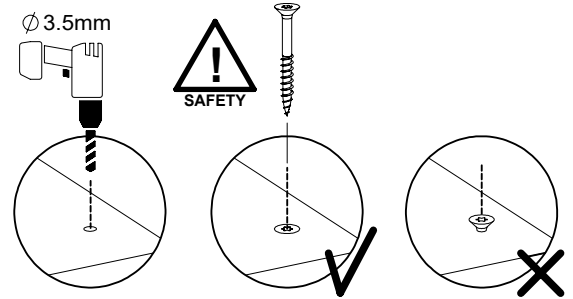
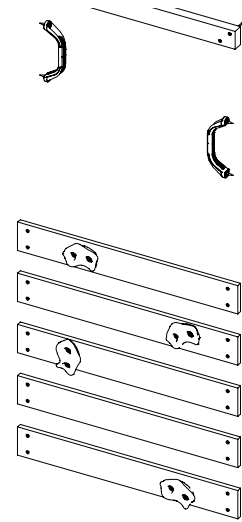


8 RW02a: Rock wall 80 125 T

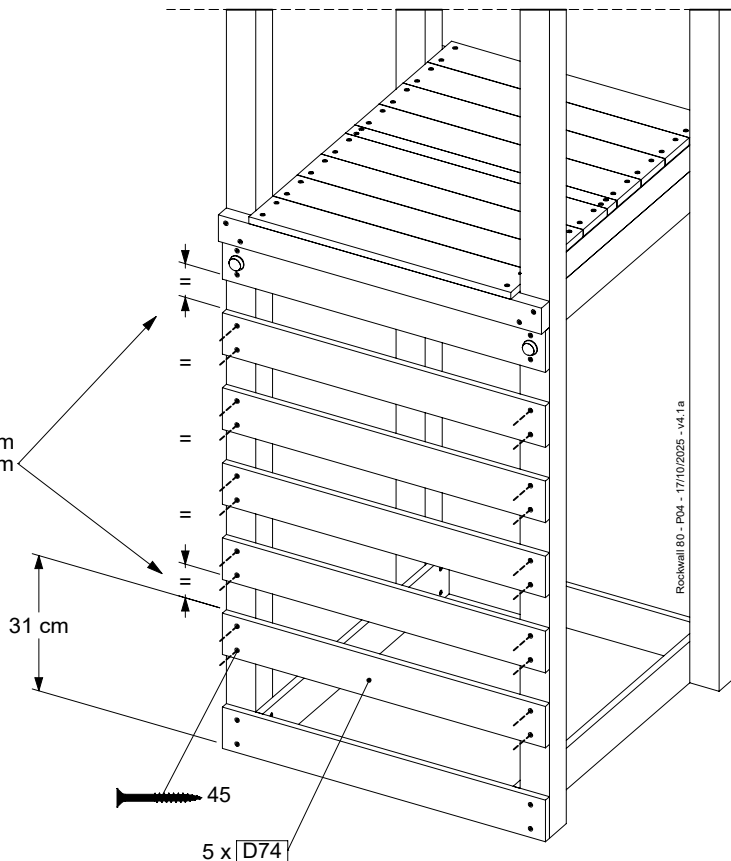
Assembly Pack: 194_105

	PartNo	PartName	QTY.
Hardware + Parts	001_102	Washer Head Screw T40 M8x30	8
	002_220	Gap Point Screw T25 - 5x45	24
	002_223	Gap Point Screw T25 - 5x80	4
	003_010	M8 spring lock washer	8
	004_050	M8 Drive-in Nut 22mm	8
	022_50x	Climbing Rock	4
	120_102	Handgrip set (2x Complete)	1
Timber	C74	Beam 740 mm	1
	D74	Board 740 mm	5

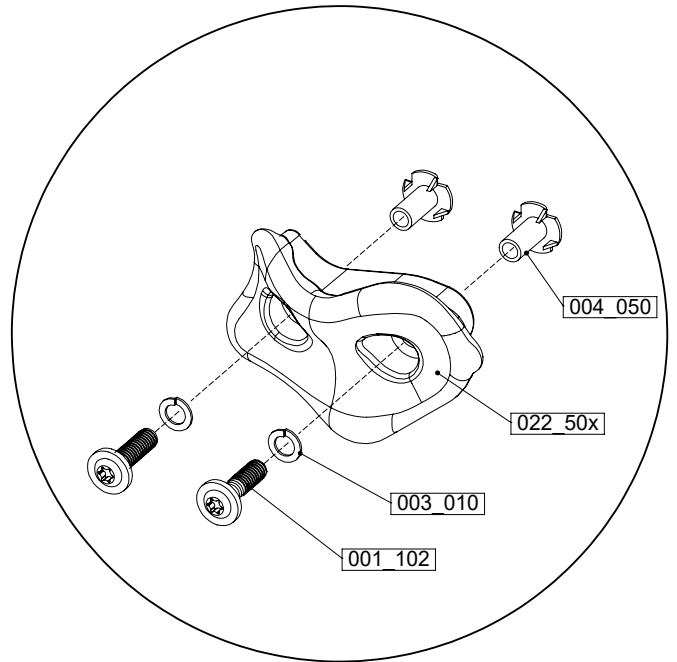
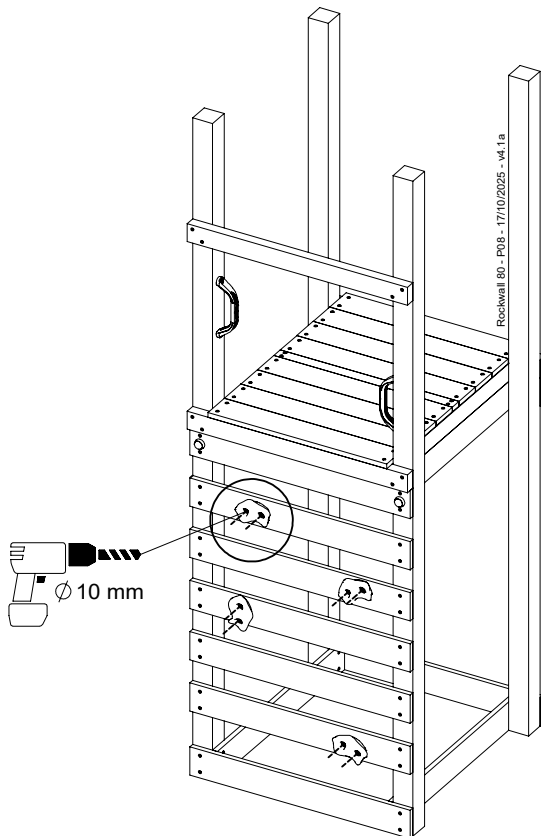
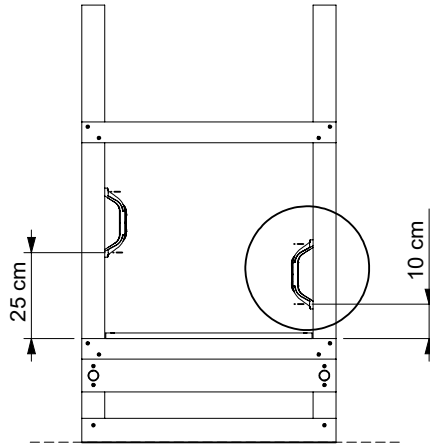
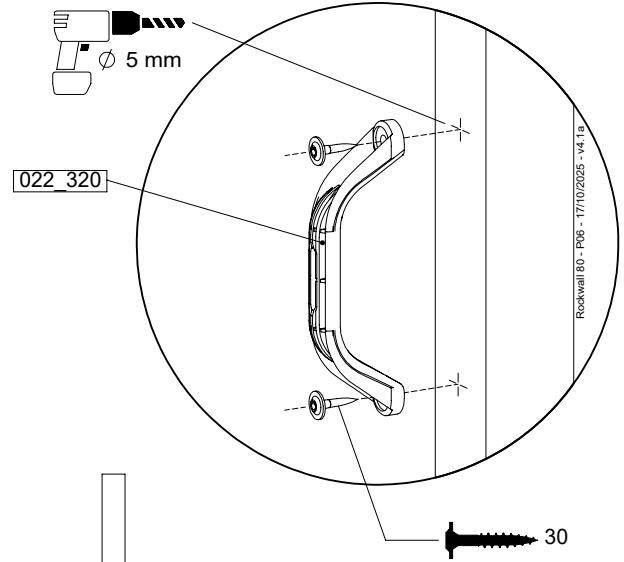
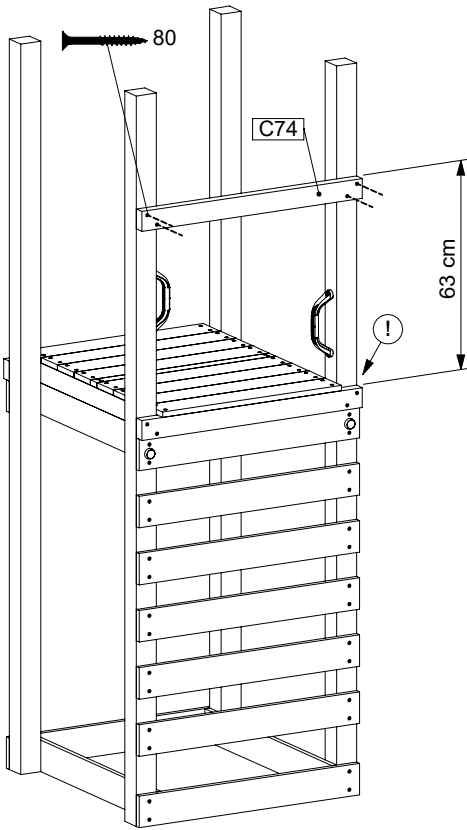
Rockwall 80 - P02 - 17/10/2025 - v4.1a



SAFETY
min. 2,6 cm
max. 8,8 cm



8.1

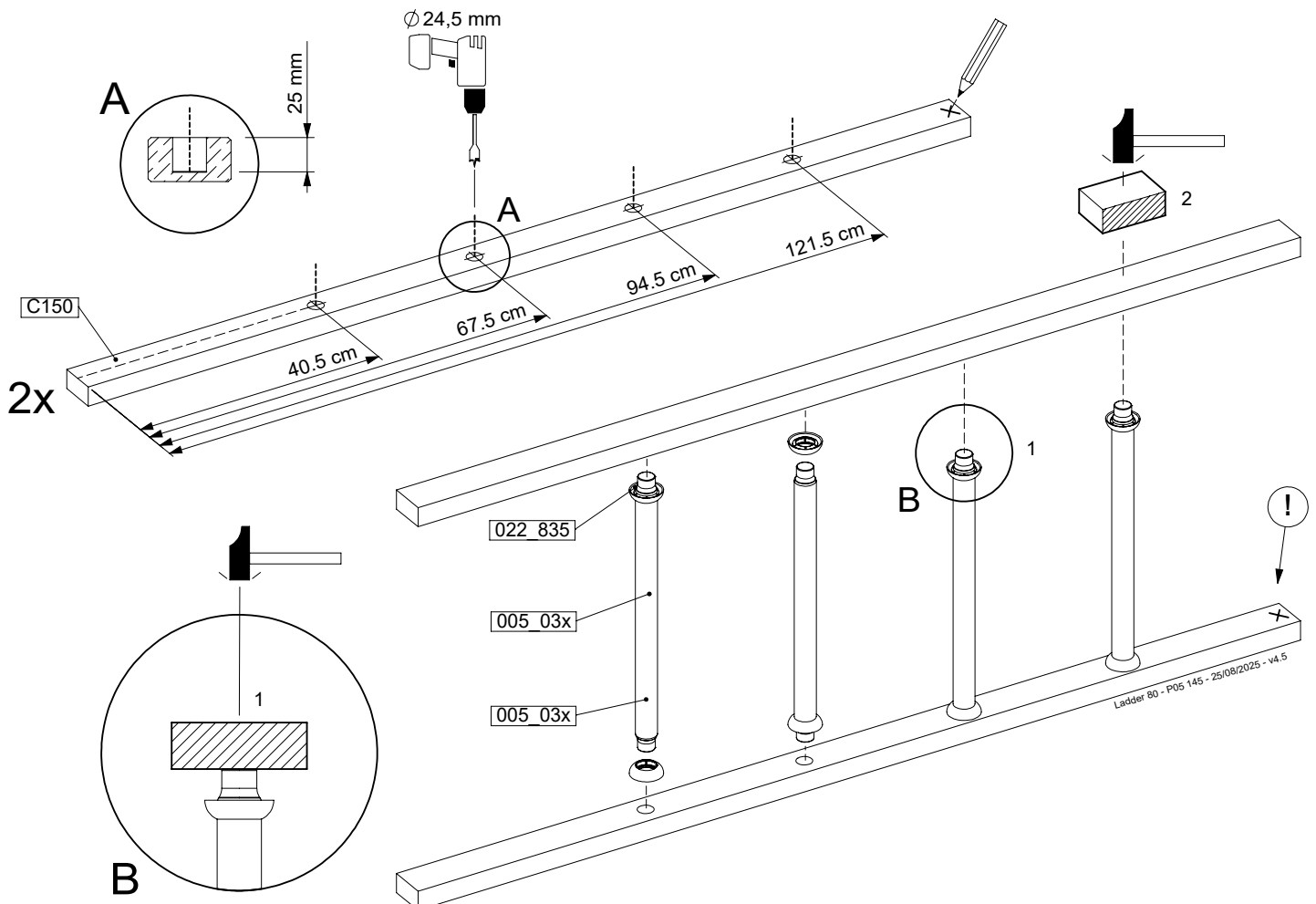
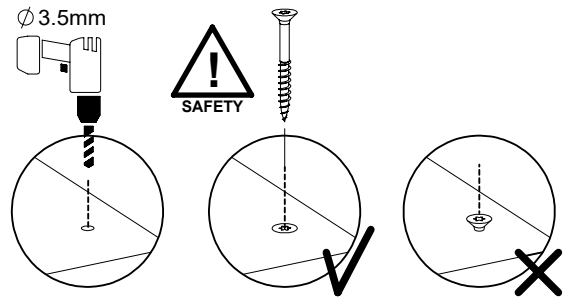
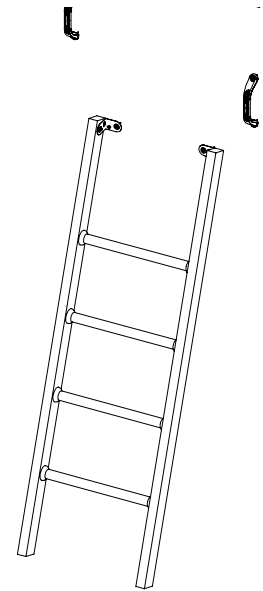


9 LA04a: Ladder 80 145 T

Assembly Pack: 194_103 (LA0xa) / 194_003 (LA0xb)

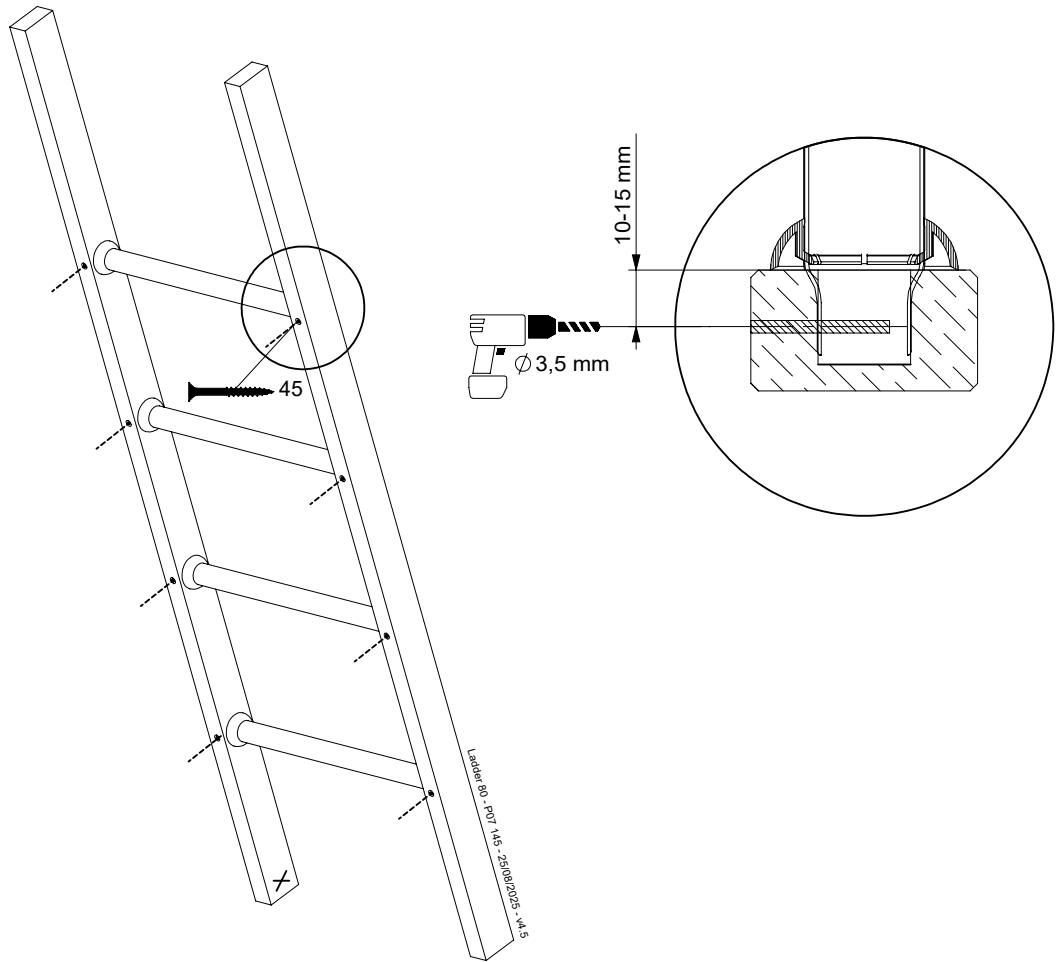
	PartNo	PartName	QTY.
Hardware + Parts	001_404	Stealth Screw 8x30	4
	002_219	Gap Point Screw T25 - 5x30	4
	002_220	Gap Point Screw T25 - 5x45	8
	002_223	Gap Point Screw T25 - 5x80	4
	005_03x	Ladder Rung Y/B/G/R	4
	005_522* /	Connection Bracket Mini Market * /	
	005_530**	Connection Bracket Ladder ** + 2x 023_031 Finishing Washer GPS 5.0	2
	022_835	Rung Cap	8
Timber	120_102	Handgrip set (2x Complete)	1
	C74	Beam 740 mm	1
	C150	Beam 1500 mm	2

Ladder 80 - P03 145 - 25/08/2025 - v4.5

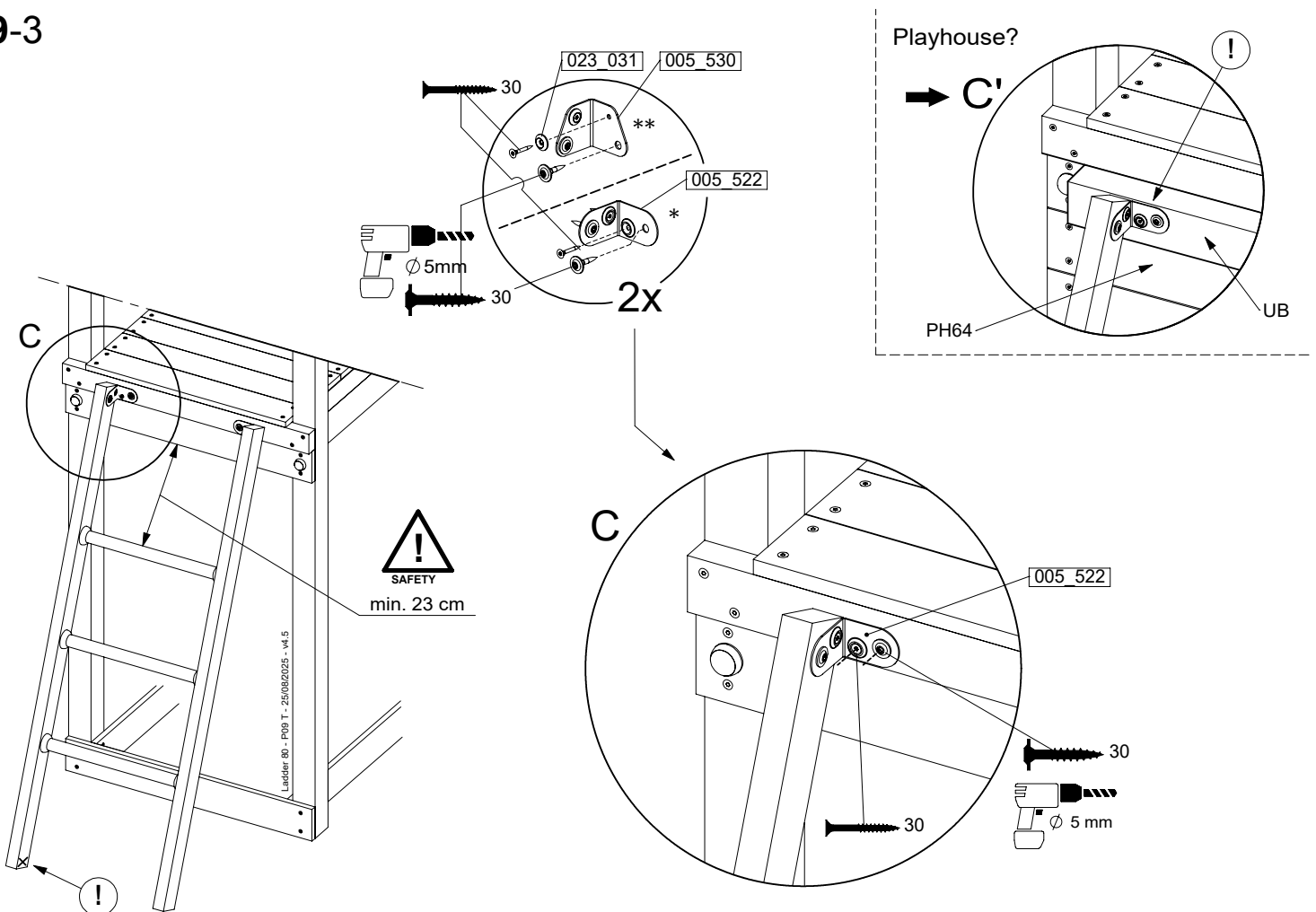


Ladder 80 - P05 145 - 25/08/2025 - v4.5

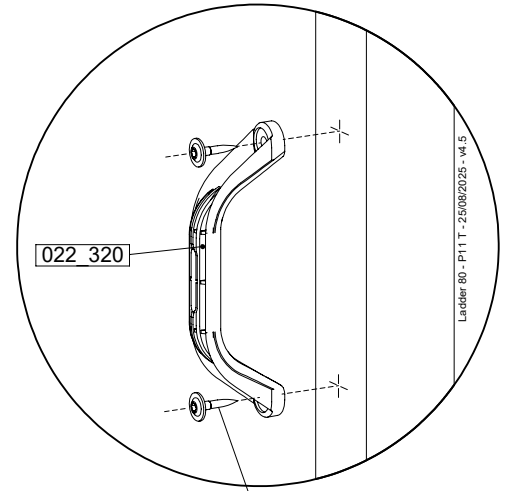
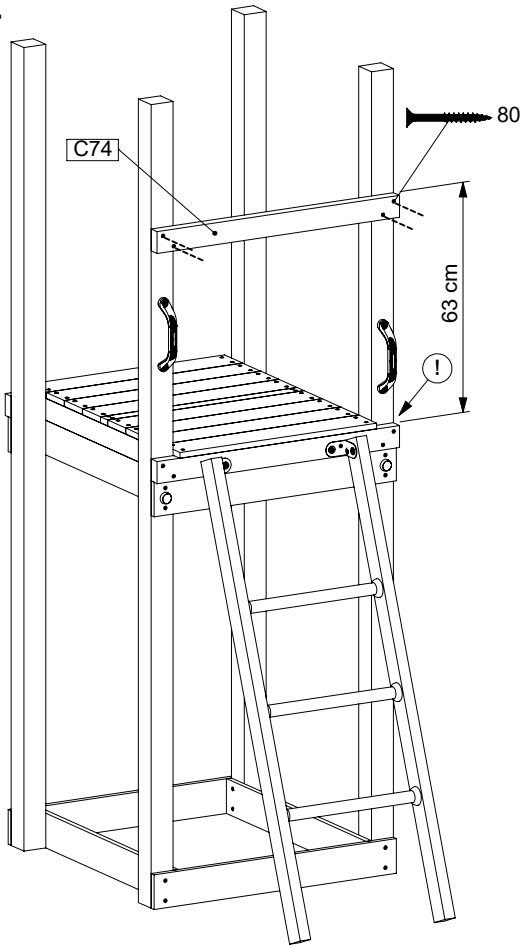
9-2



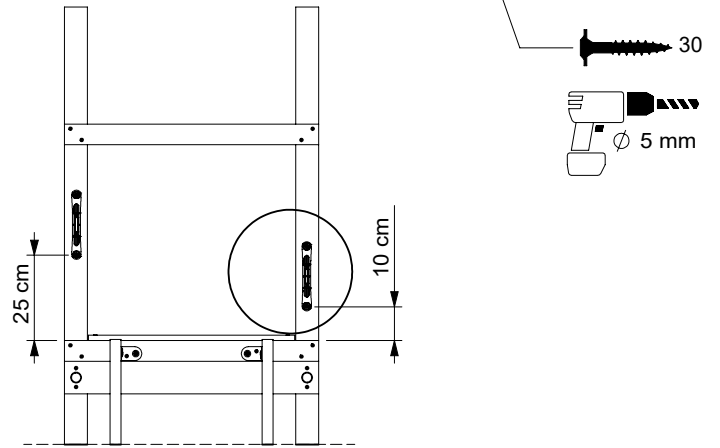
9-3



9-4



Ladder 80 - P11 T - 25/08/2025 - v4.5

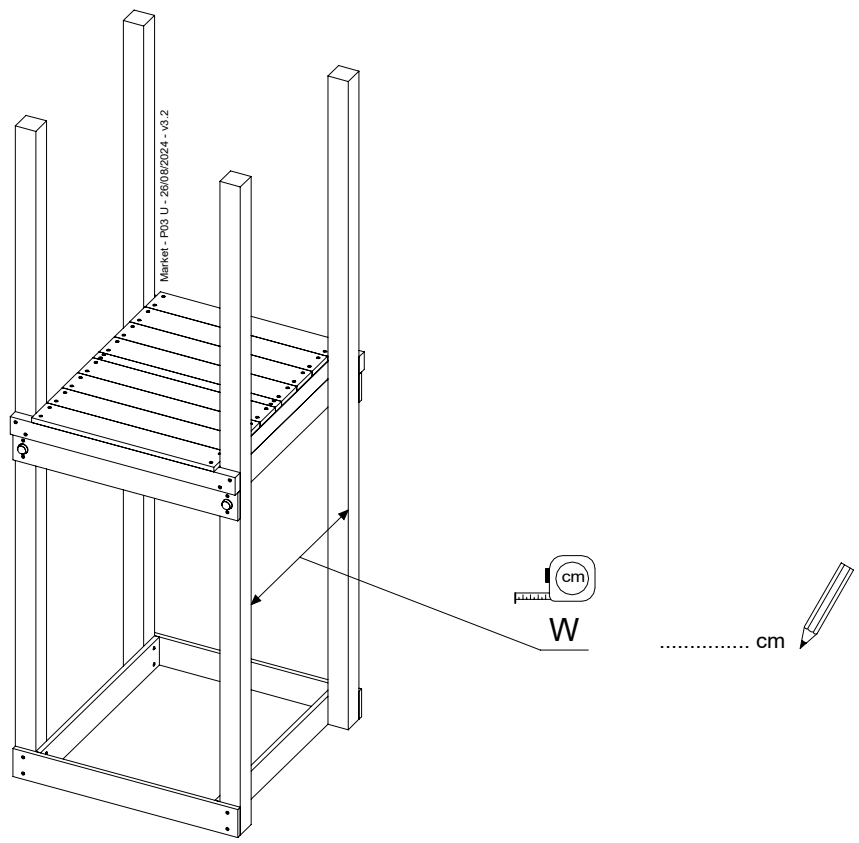
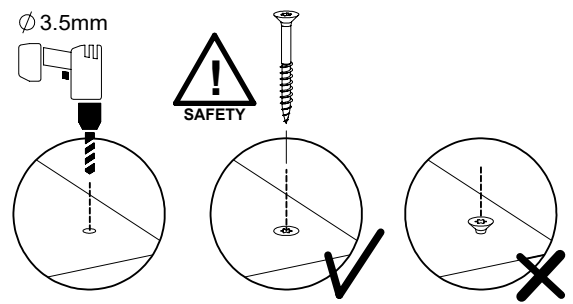
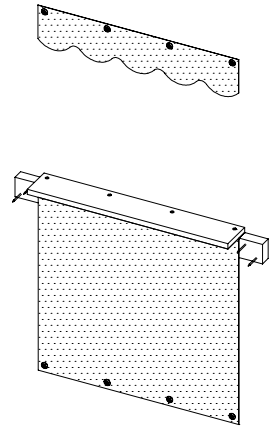


10 MT01a: Market 80 U

Assembly Pack: 194_113 (a) / 194_101 (b)

	PartNo	PartName	QTY.
Hardware + Parts	002_220	Gap Point Screw T25 - 5x45	4
	002_223	Gap Point Screw T25 - 5x80	4
	002_308	Gap Point Screw T25 - 5x20	8
	023_031	Finishing Washer GPS 5.0	8
	123_220	Canvas sheet 735x1365	1
Timber	C74	Beam 740 mm	1
	D60	Board 600 mm	1

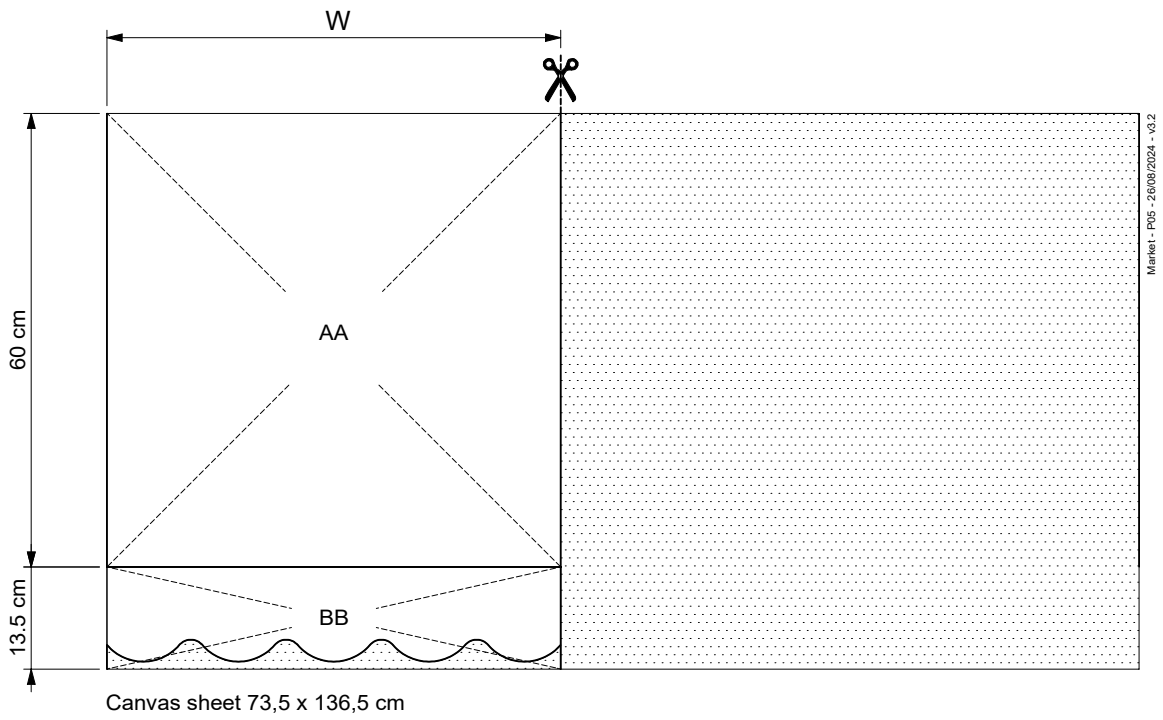
Market - P14U - 26/08/2024 - v3.2



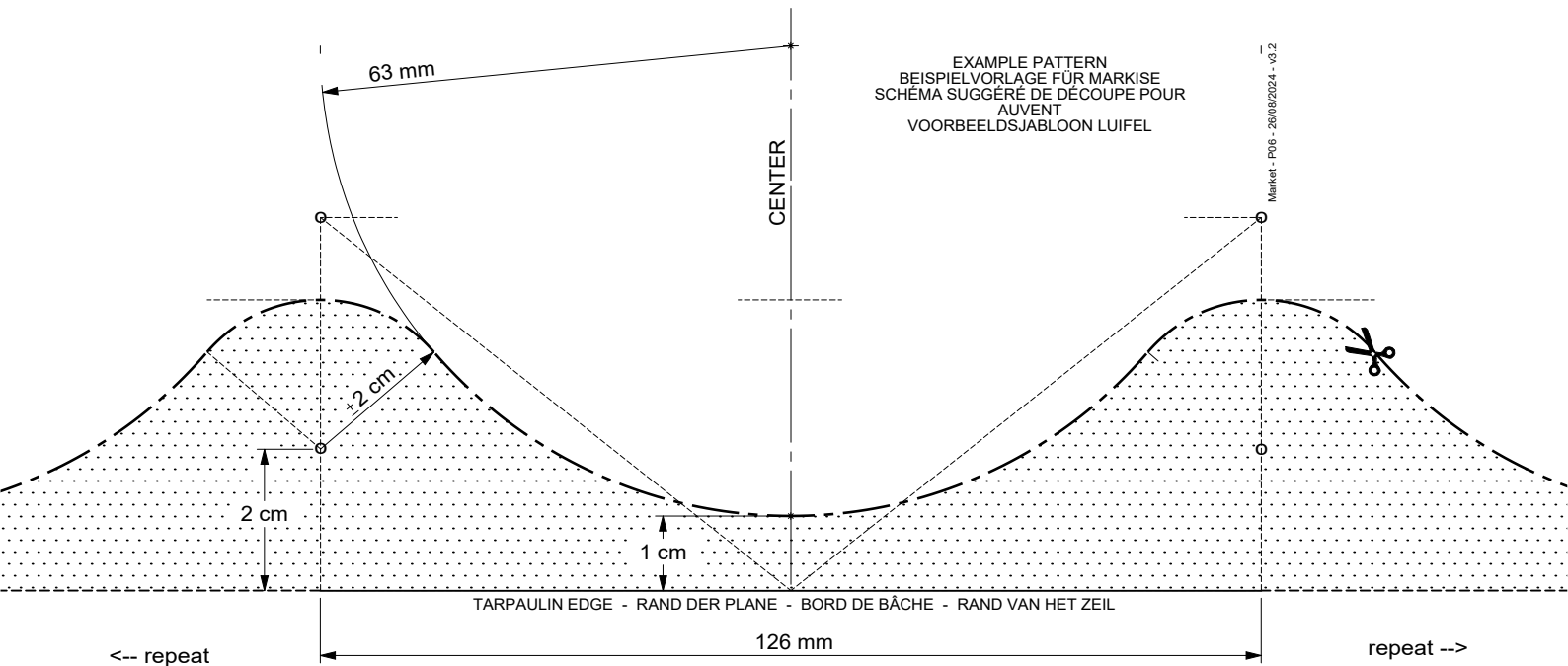
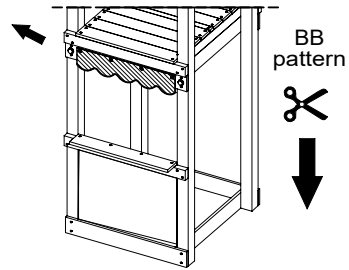
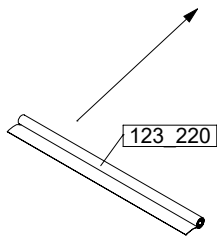
Market - P103 U - 26/08/2024 - v3.2

Manual ID: 040_080_2413

10.1



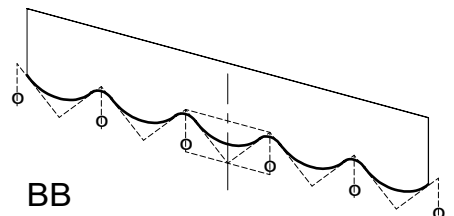
Markiet - P05 - 26/08/2024 - v3.2



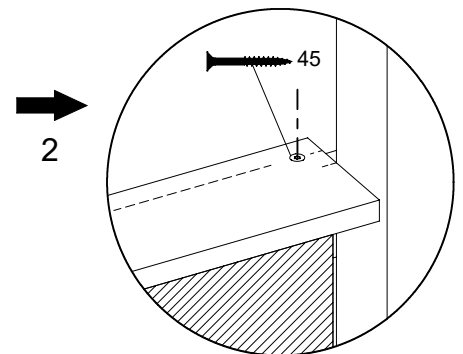
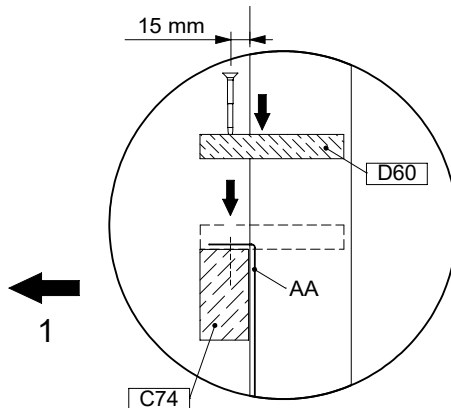
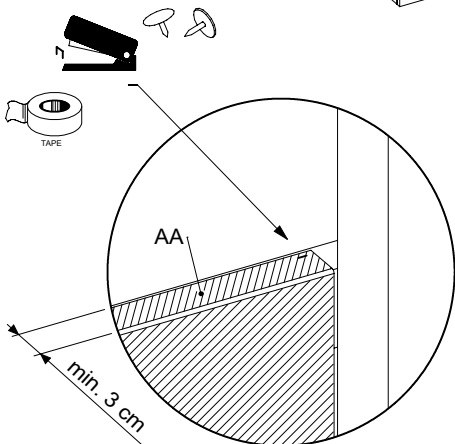
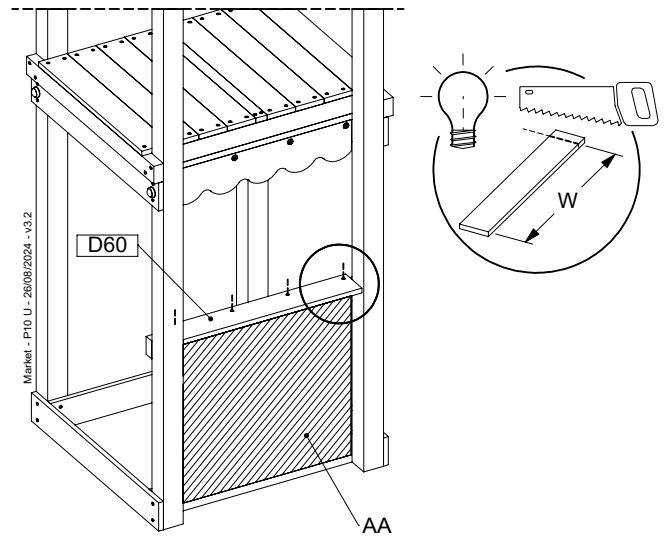
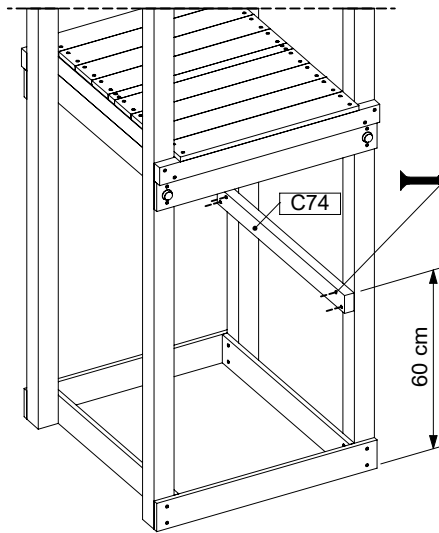
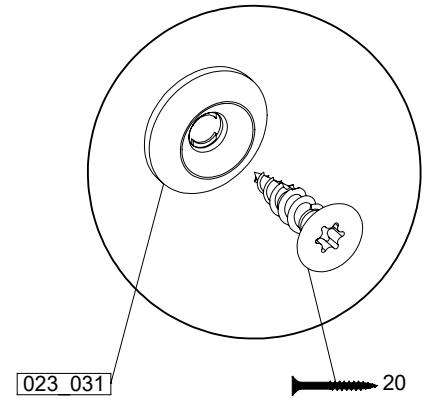
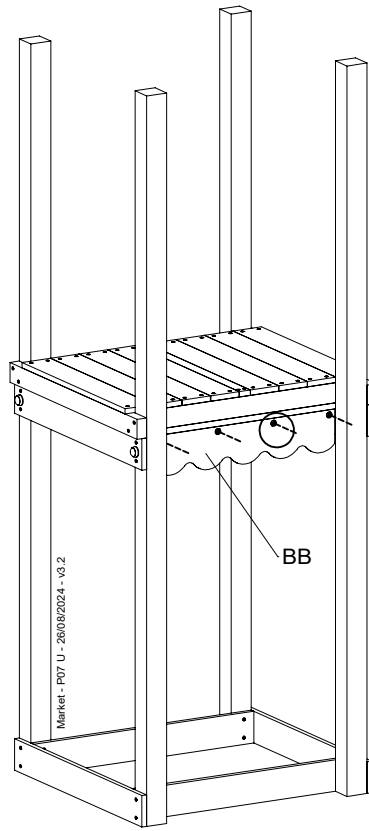
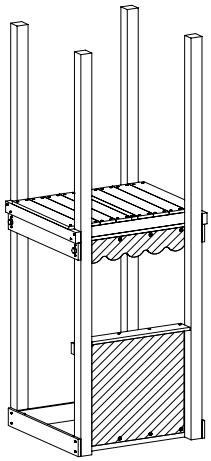
Markiet - P06 - 26/08/2024 - v3.2



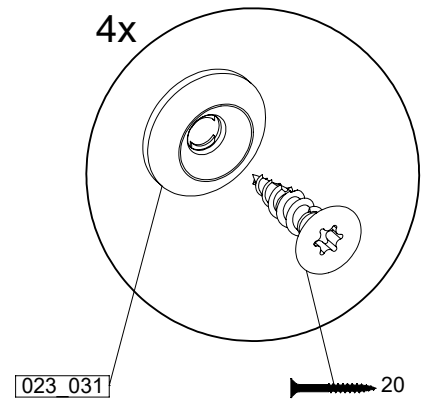
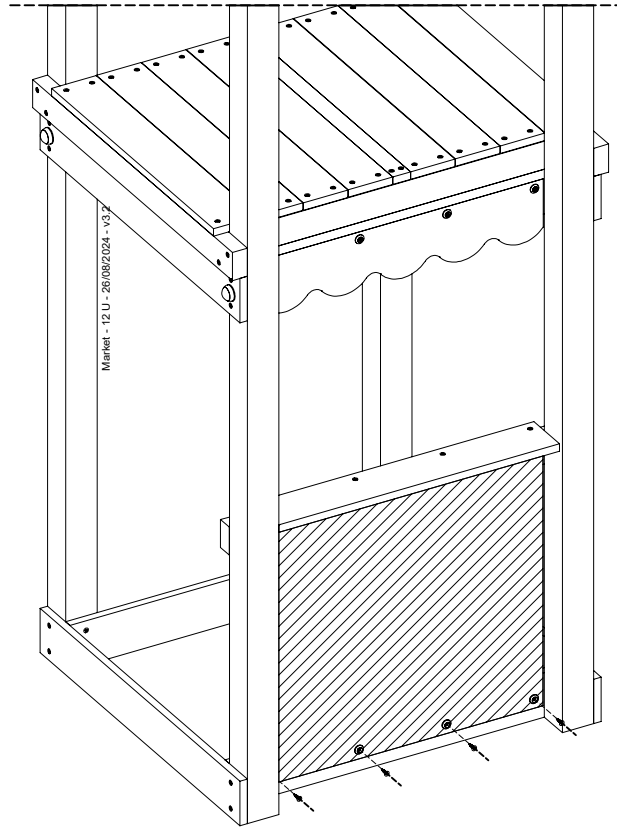
Scale of print may not be accurate.
Druckformat kann abweichen.
Les tailles imprimées peuvent varier.
Printformaat kan afwijken.



10.2

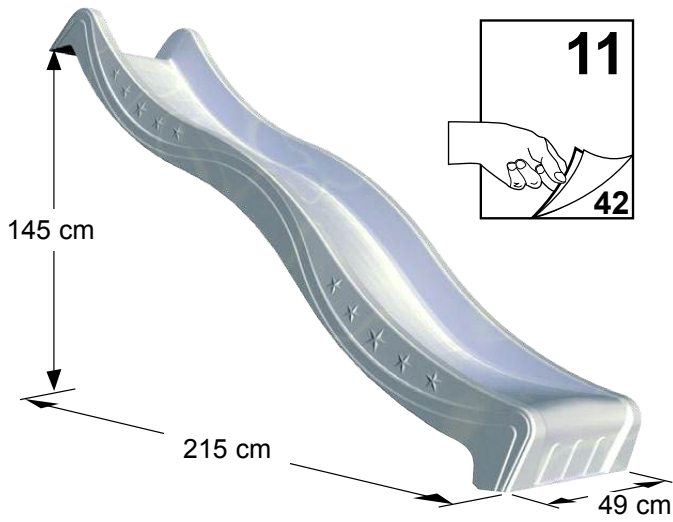


10.3



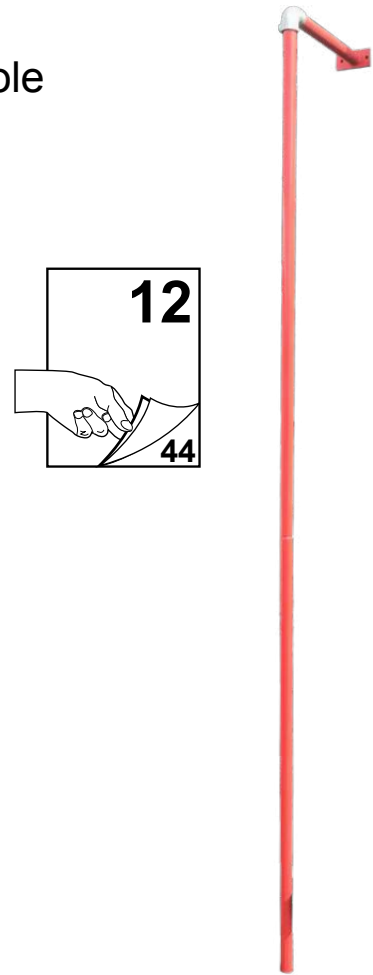
11 Add-on Wavy Star Slide XXL

- 334_100 Yellow
- 334_200 Blue
- 334_300 Green
- 334_400 Red
- 334_500 Fuchsia
- 334_600 Dark Green



Fireman's Pole

201_275

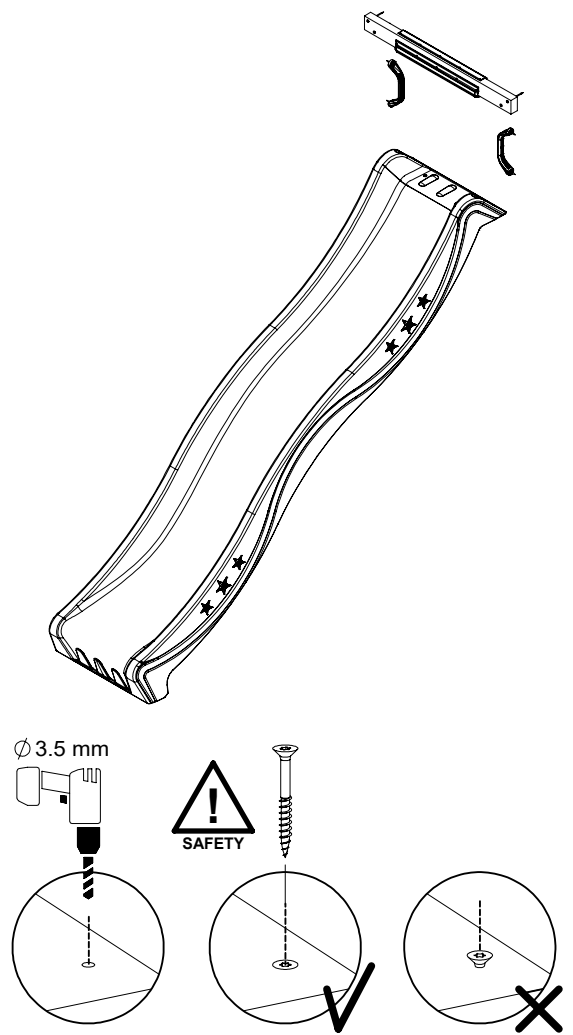


11 SL03a: Slide 80 145 U

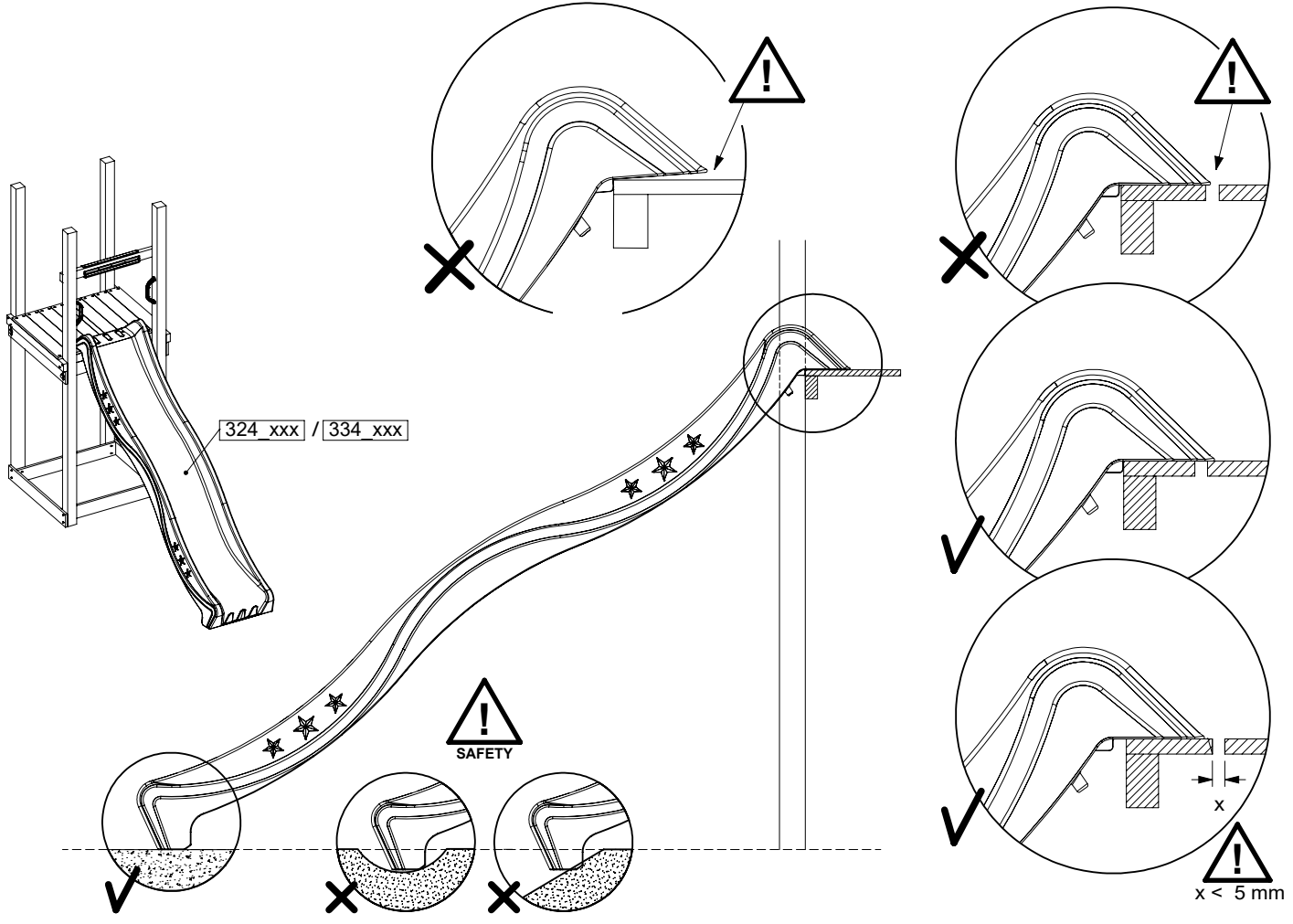
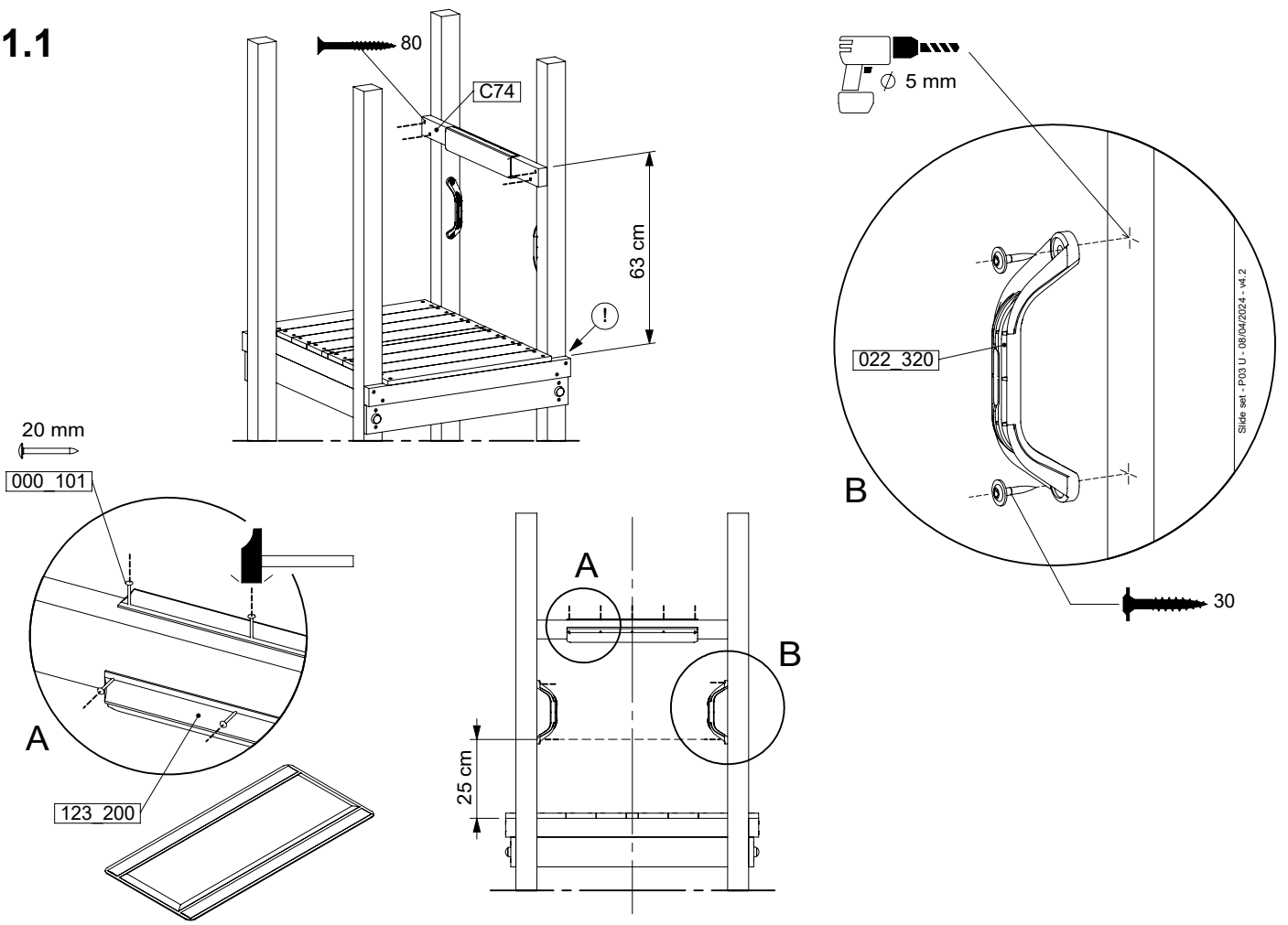
Assembly Pack: 194_107

	PartNo	PartName	QTY.
Hardware Pack 100_605	000_101	Nail Pan Head	10
	002_223	Gap Point Screw T25 - 5x80	4
	002_308	Gap Point Screw T25 - 5x20	2
Other	120_102	Handgrip set (2x Complete)	1
	123_200	Bumperpad	1
	324_xxx 334_xxx	Wavy Star Slide XL 2200 mm / Wavy Star Slide XL 2650 mm	1
Timber	C74	Beam 740 mm	1

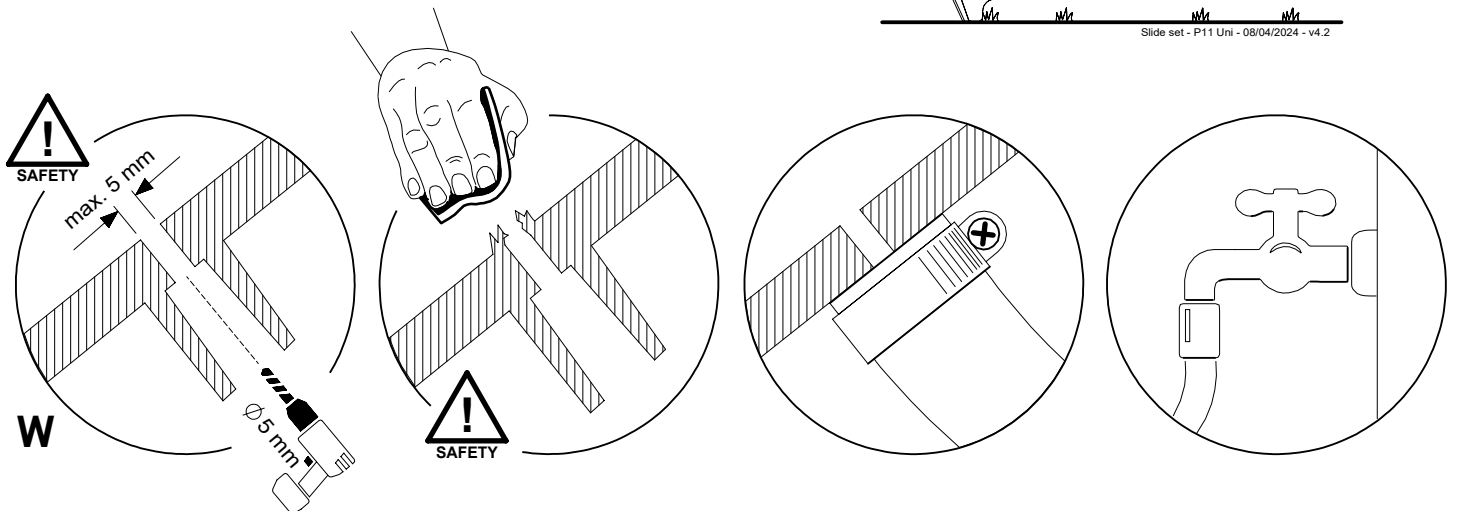
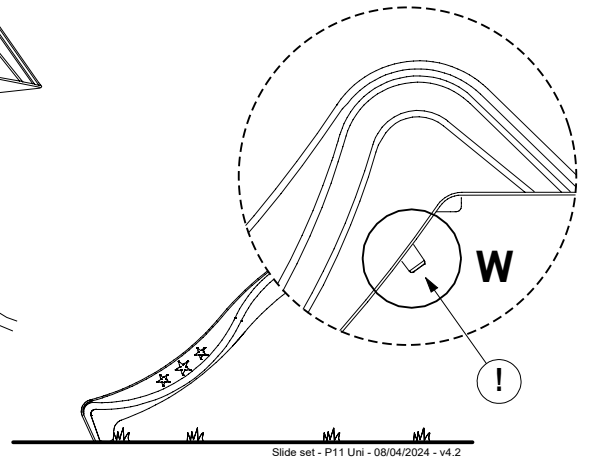
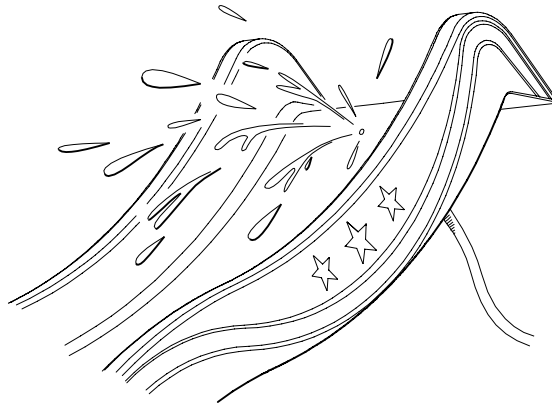
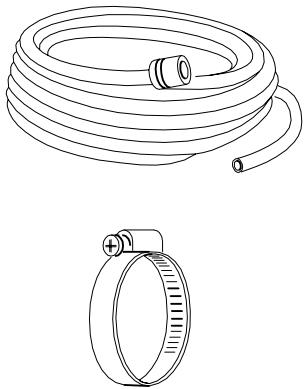
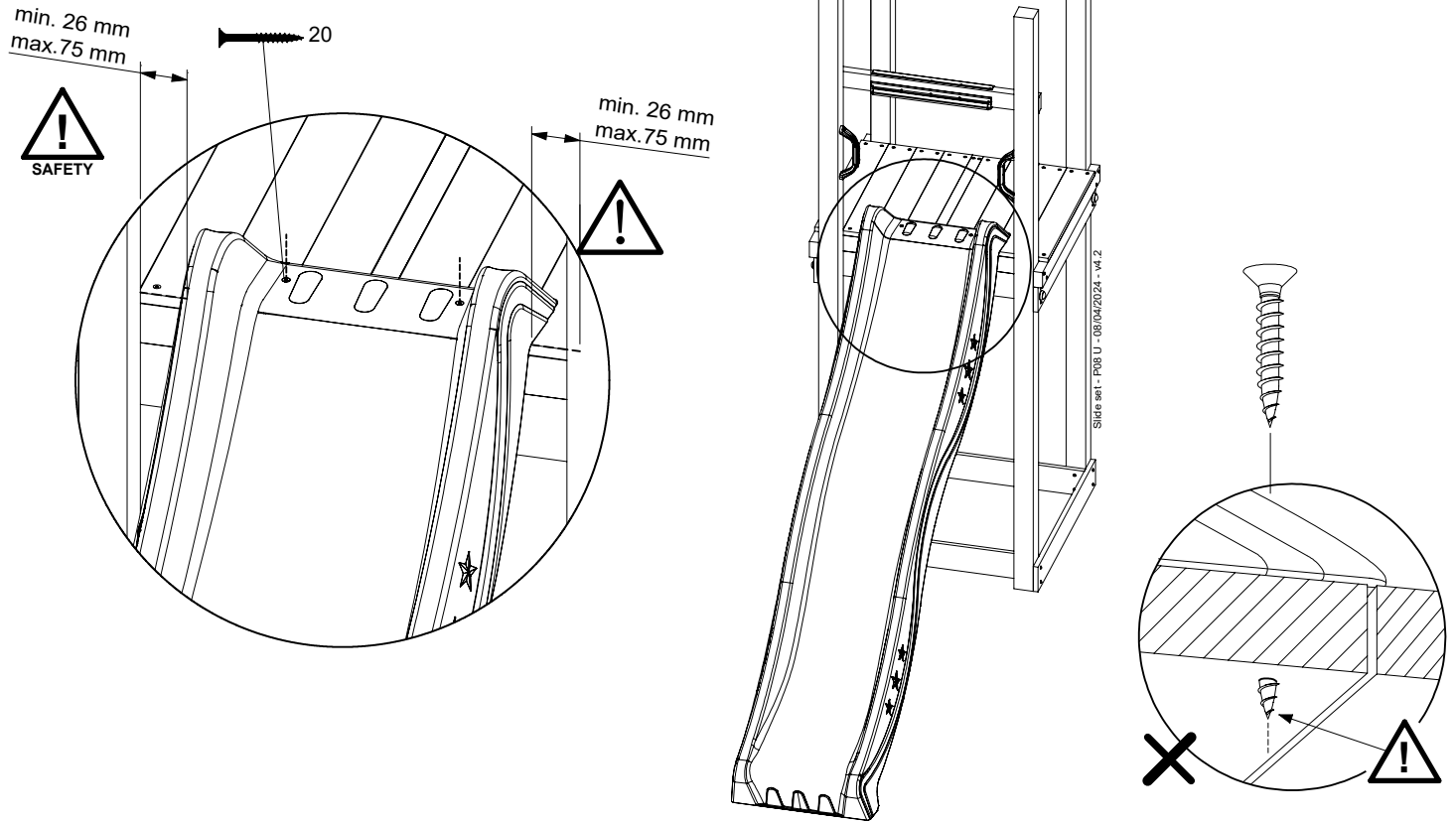
Slide set - P102 - 08/04/2024 - v4.2



11.1



11.2



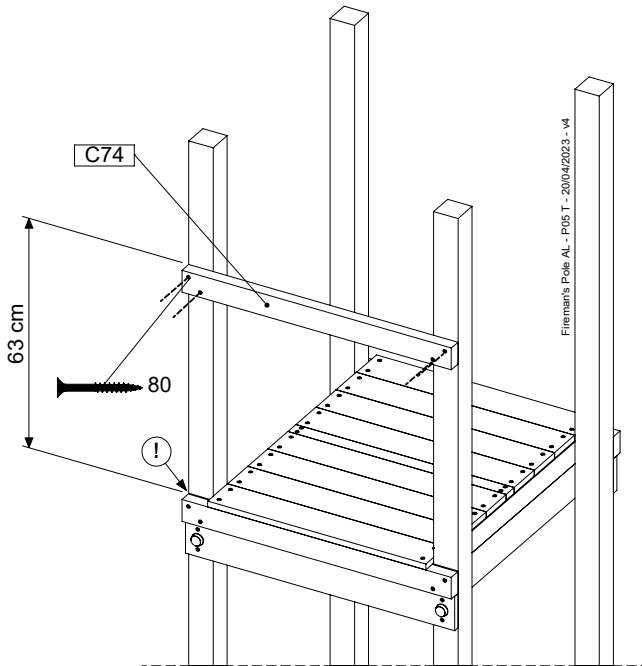
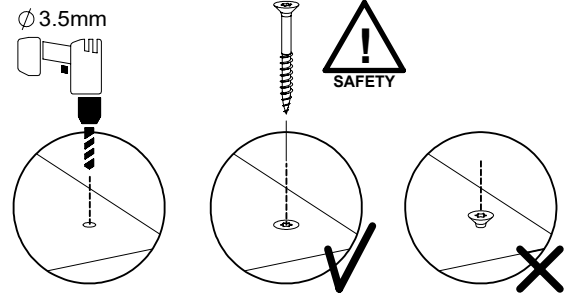
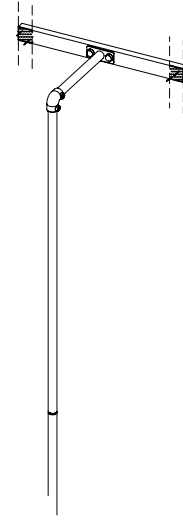
12 Firemans Pole

FP01

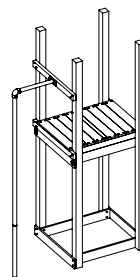
(201_275)

	PartNo	PartName	QTY.
Kit	201_275	Fireman's Pole kit (incl. 4x Screw T25 5x80)	1
Timber	C74	Beam 740 mm	1

Fireman's Pole AL - P102 U - 20/04/2023 - v4



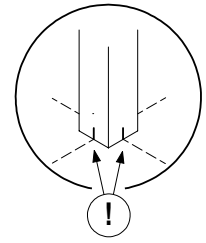
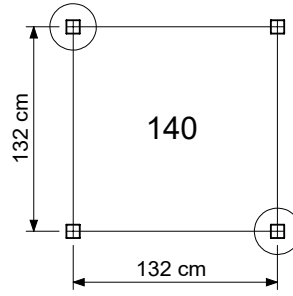
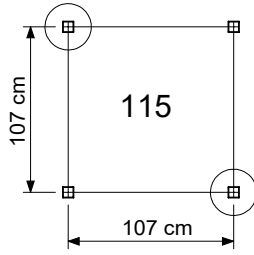
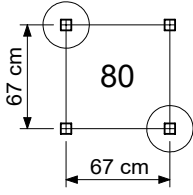
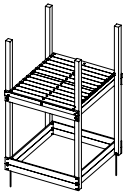
Fireman's Pole AL - P105 T - 20/04/2023 - v4



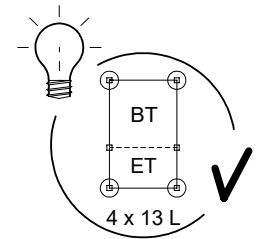
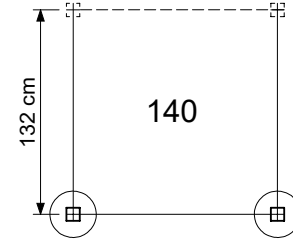
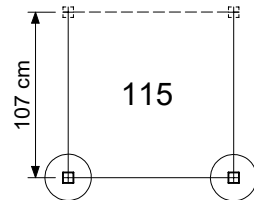
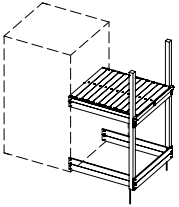
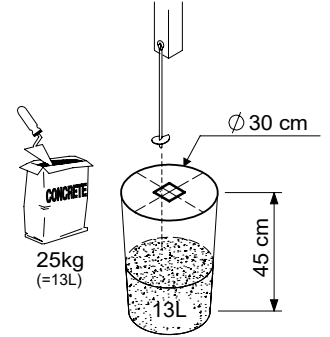
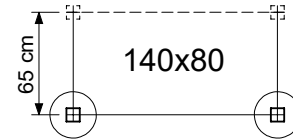
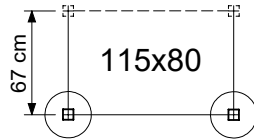
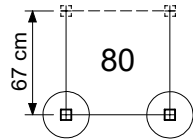
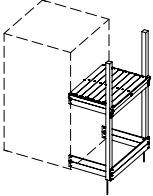
Fireman's Pole (201_275)
040_335 Part 2

13 GA: Ground Anchors

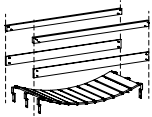
BASE TOWERS



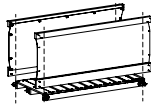
EXTENSION TOWERS



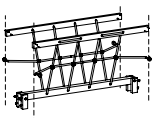
BRIDGES



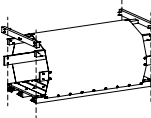
CLATTER



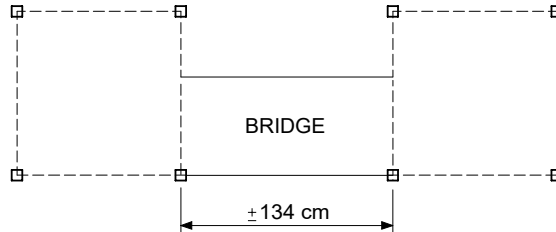
BOARDWALK



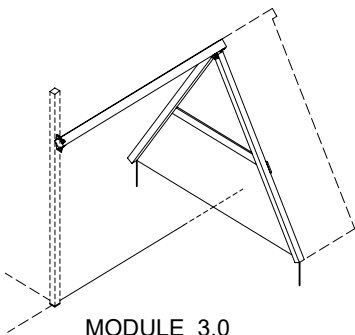
NET



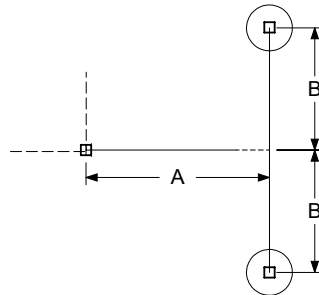
TUNNEL



SWING / CLIMB



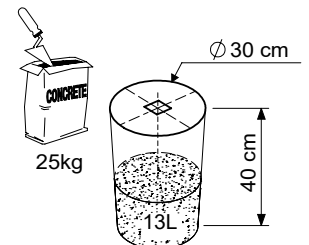
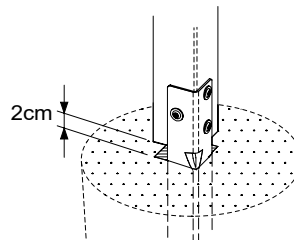
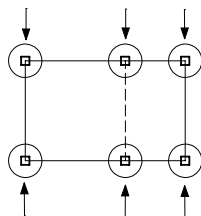
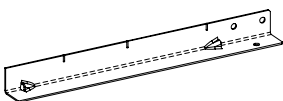
MODULE 3.0



MODULE 3.0	Module type	A	B
	1-Swing 200 - 3.0	155	110
	1-Swing 220 (Extra) - 3.0		115
	1-Climb 200 - 3.0	148	110
	2-Climb 200 - 3.0	222	
	2-Swing 200 - 3.0	215	
	1-Climb 220 (Extra) - 3.0	170	
	2-Climb 220 (Extra) - 3.0	242	115
2-Swing 220 (Extra) - 3.0	235		

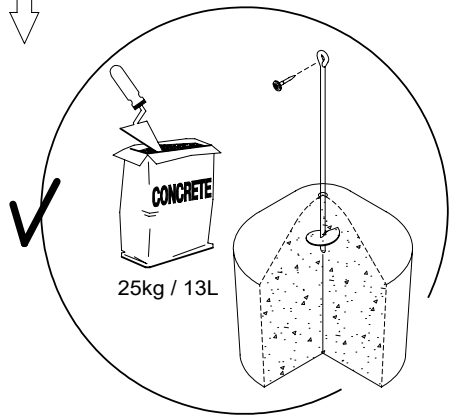
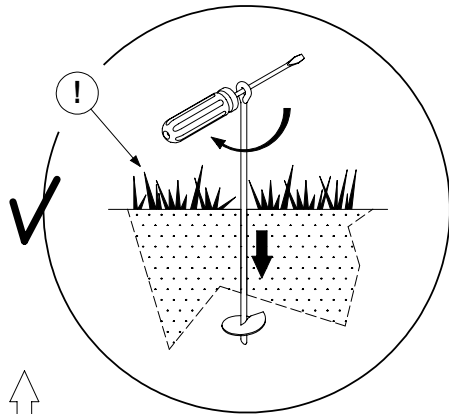
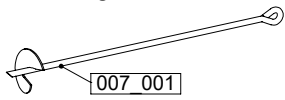
cm

Post ground anchor
- optional -

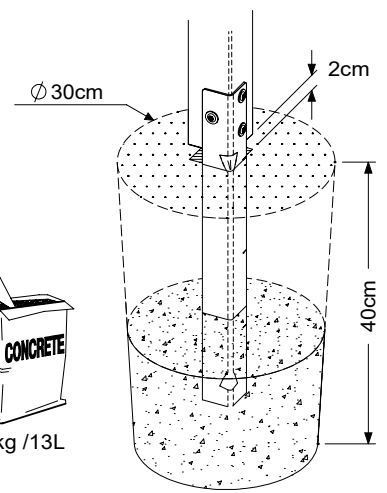
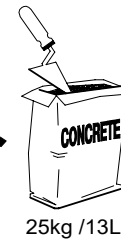
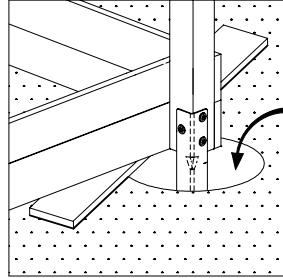
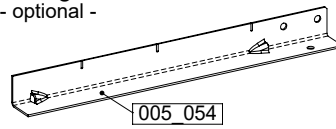


13.1

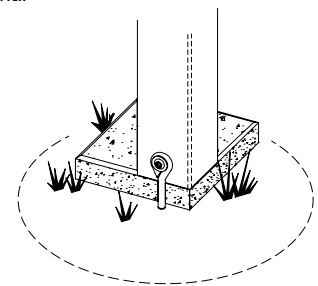
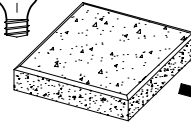
Screw-in ground anchor



Post ground anchor - optional -



Tiles / Pads - optional -



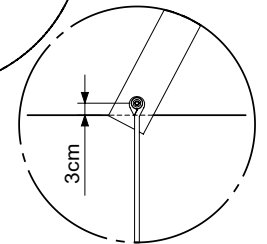
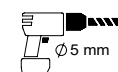
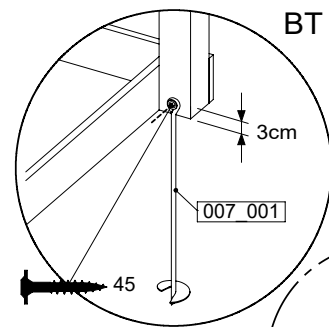
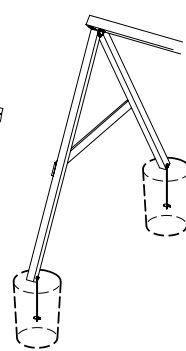
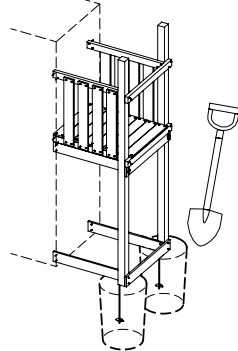
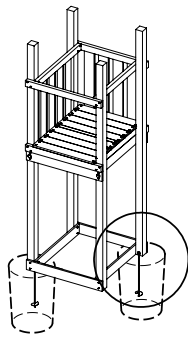
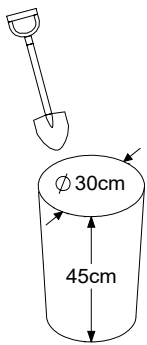
BT

ET

SW / CL

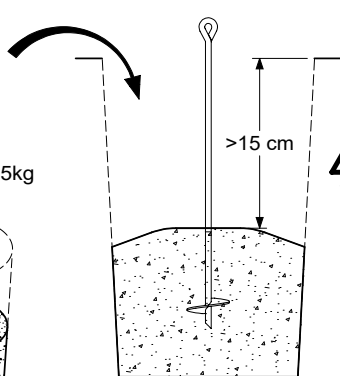
BT / ET

SW / CL

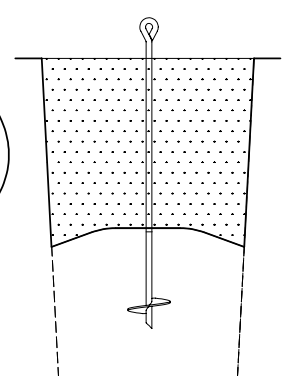
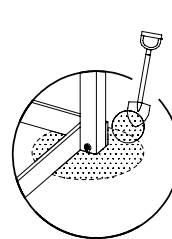


1.

2.



24h



3.

4.

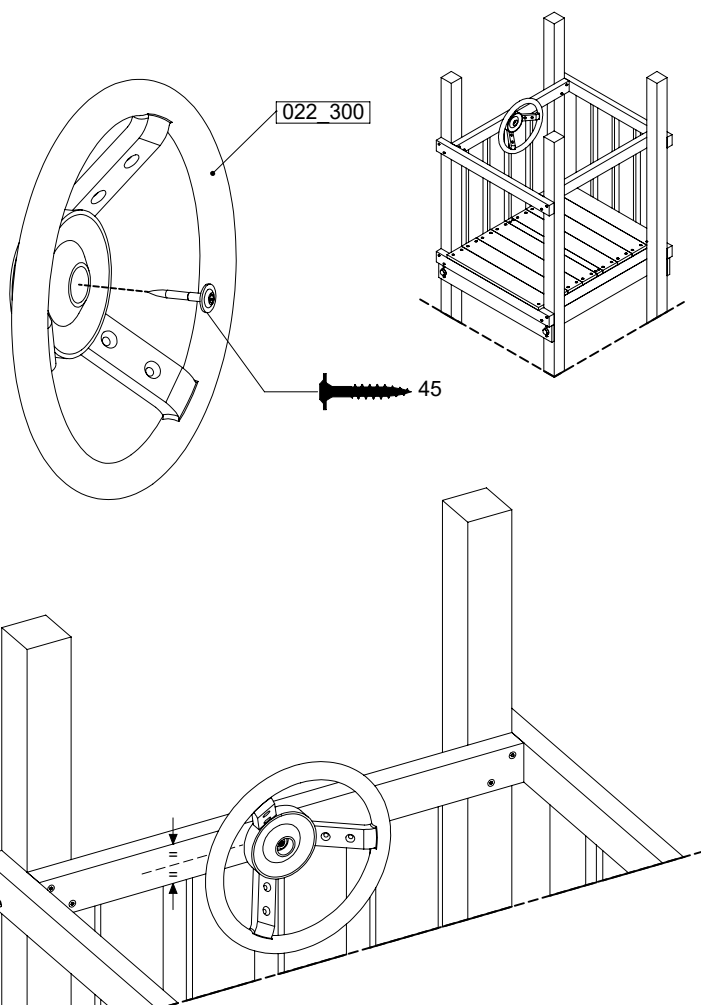
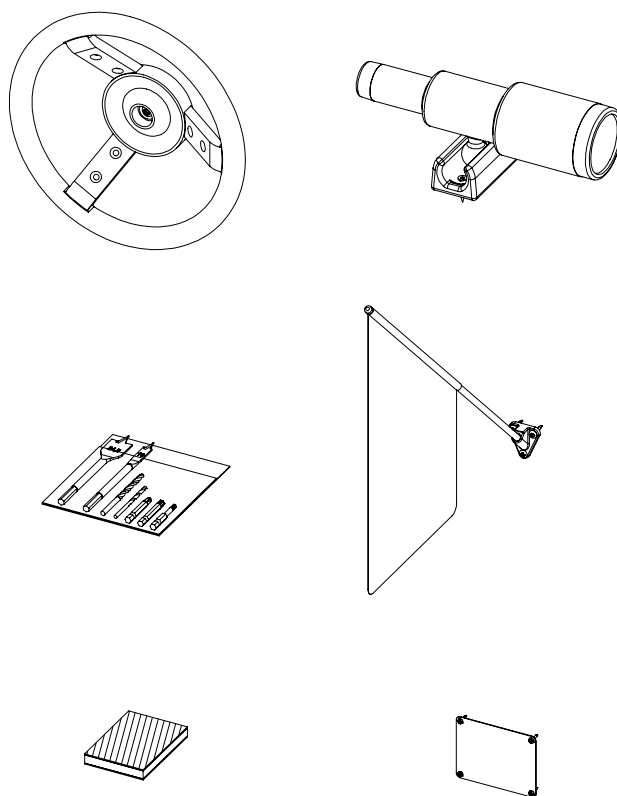
5.

22. AC01a: Accessories

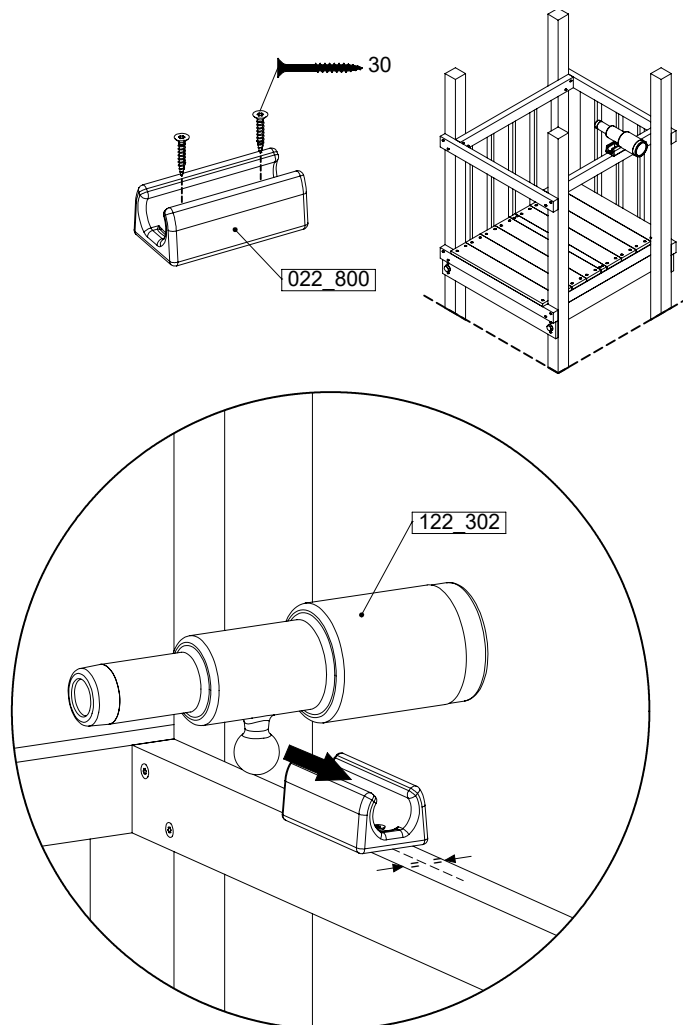
(194_119)

	PartNo	PartName	QTY.
Hardware Pack 100_617	001_406	Stealth Screw 8x45	1
	002_041	Dome head screw 4.5 x 20 mm	3
	002_042	Dome head screw 3.5 x 13mm	4
	002_219	Gap Point Screw T25 - 5x30	2
Other	022_300	Steering Wheel	1
	022_800	Rail P/T 105	1
	022_910	Sandpad	1
	103_901	Logo ID Plate	1
	104_107	Tool Set Climbing Units	1
	120_024	Tower Flag	1
	122_302	Telescope	1

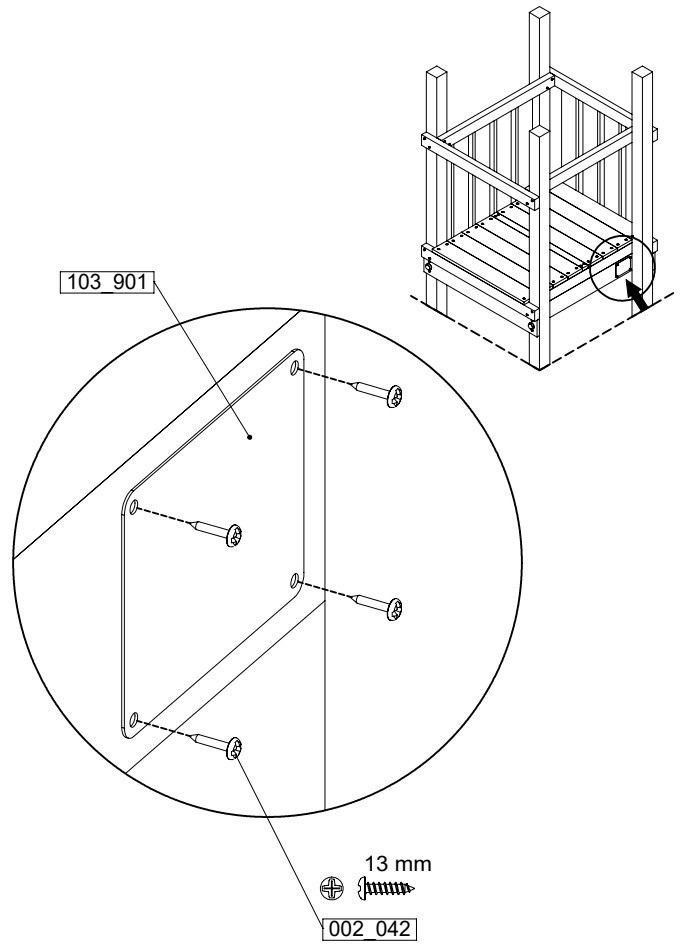
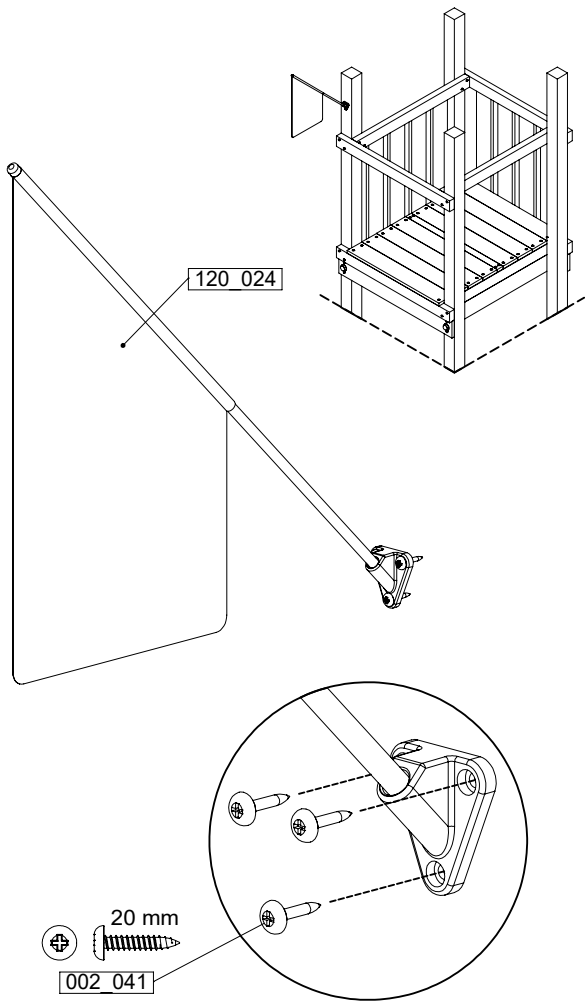
Accessory set - P02 - 24/01/2024 - v5



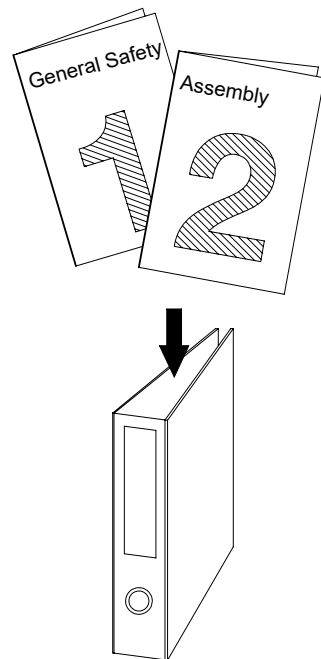
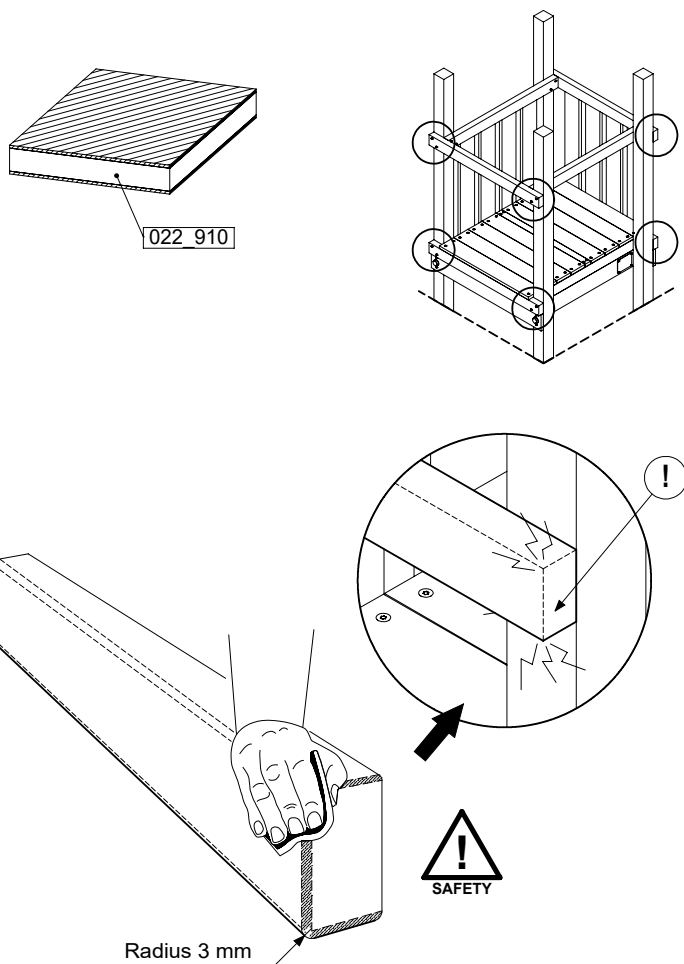
Accessory set - P03 - 24/01/2024 - v5



Manual ID: 040_032_2413



Accessory set - P04 - 24/01/2024 - v5



Accessory set - P05 - 24/01/2024 - v5



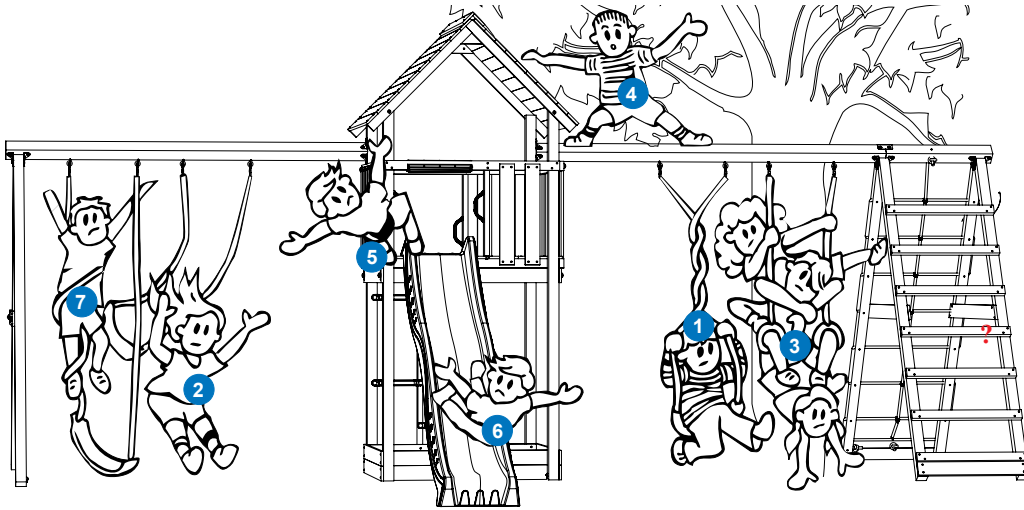
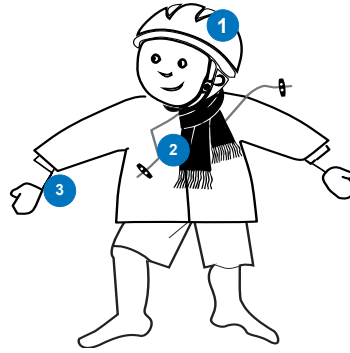
Safe play instructions and safety notices

Sichere Spielanweisungen und Sicherheitswarnungen

Consignes de jeu sécurisé et avis de sécurité



Maximum number of users
Maximale Benutzerzahl
Le nombre maximal d'utilisateurs



Satisfied with the result? We'd love your rating.
Zufrieden mit dem Ergebnis? Teilen Sie Ihre Bewertung.
Satisfait du résultat ? Nous serions ravis de recevoir votre avis.

Review us on

★★★★★

Scan | Click

Google account required

Review us on

★★★★★

Scan | Click

Trustpilot account required



**EU Declaration of Conformity
UK Conformity Assessed
EU-Konformitätserklärung
Déclaration EU de conformité**



(in accordance with 768/2008/EC)



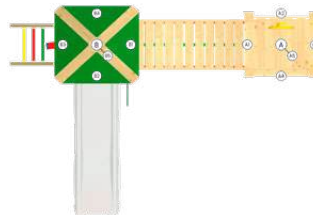
**Verified safety & Assembly instructions
Geprüfte Sicherheit & Montageanleitung
Sécurité vérifiée et Instructions de montage**

Design Code : **e22u1N**

Checkpoint	Description	Compliance
1. Balustrades / Guardrails	Each platform is fully enclosed by balustrades, except at intentional means of access/exit. Height & spacing according to EN 71-8	✓ Pass
2. Swing vs. Slide / Pole Interference	Swing arc (incl. rope loop) does not cross slide entry/exit or Fireman's Pole starting section.	✓ Pass
3. Object Space Separation	No overlap between two object spaces (e.g., climbing wall vs. slide exit).	✓ Pass
4. Object Space vs. Fall Space	Fall zones and free space (impact areas with shock-absorbing surface) are clear of other object spaces. No overlap between fall and use zones.	✓ Pass



Frontview



Topview



Sideview

✓ Safety Checked

Your design is automatically reviewed by our safety rule engine and verified by our output control center before instructions are generated. Your design has passed all safety checks.

1. General chapter presence	All general chapters are present (safety guidelines, customer service information, order overview, timber parts list, slide and hardware registration overview, part en pieces references, registration & warnings, required tools, installation and assembly notices, overall dimensions, assembly sequence).	✓ Pass
2. Sub-assembly Presence	All sub-assemblies are listed in the complete composition and delivery overview.	✓ Pass
3. Sub-assembly listings	All sub-assemblies references are listed in the assembly sequence table	✓ Pass
4. Sub-assembly links	Link references in the assembly sequence table correspond to the correct assembly instruction chapters.	✓ Pass
5. Timber part presence	Each assembly instruction chapter includes a corresponding timber part list..	✓ Pass
6. Timber part counts	Individual timber parts listed in the individual assembly pack overview in the assembly instruction chapter are counted and matched with the overview in the timber part list.	✓ Pass

✓ Manual checked

This assembly manual has been reviewed and verified. All required chapters, sub-assemblies, sequence references, timber lists, and BOMs have been checked and confirmed to be complete and consistent. You can be confident that this manual gives you all the information you need for a safe and complete assembly, provided the instructions are followed carefully.



EU Declaration of Conformity
UK Conformity Assessed
EU-Konformitätserklärung
Déclaration EU de conformité



(in accordance with 768/2008/EC)

Product range: Activity toys for domestic use
Produktfamilie: Aktivitätsspielzeug für den häuslichen Gebrauch
Gamme de produits: Jouets d'activité à usage familial

DoC reference: 20260105_0700

Identification climbing frames

a. Complete climbing frame assemblies - Vollständige Klettergerüst-Baugruppen - Assemblages complets de structures d'escalade

Playtowers	801_005, 801_009, 801_010, 801_013, 801_025, 801_040, 801_060, 801_070, 801_090, 801_095, 801_100, 801_103, 801_105, 801_110, 801_120, 801_200, 802_202, 802_204, 802_206, 802_208, 803_202, 803_204, 803_206, 803_208, 803_210, 809_802, 809_804
Swings	801_300, 801_601, 801_602
Modules	850_175, 850_220, 850_240

b. Climbing frame elements - Klettergerüst-Elemente - Éléments de structures d'escalade

Base towers (BT)	BT01a, BT02a, BT03a, BT11a, BT14a, BT15a, BT07, BT12, BT16, BT20a, BT22, BT23
Extension towers (ET)	ET01a, ET02a, ET05a, ET06a, ET07a, ET08a, ET09a, ET10a, ET11a, ET12a, ET13a, ET14a, ET15a, ET16a, ET17a, ET18a, ET19a, ET20a, ET22a, ET23a, ET27a, ET28a, ET35a, ET29a, ET39a, ET40a
Veranda (VD)	VD01a, VD02a, VD03a, VD04a, VD05a
Bridges (CB, NB, BB, TB)	CB01a, CB01b, NB01a, BB01a, BB02a, TB01a, TB02a, TB03a, TB04a
Roofs (RF)	RF01a, RF21a, RF02a, RF03a, RF04a, RF05a, RF06a, RF20a, RF02b, RF03b, RF28a, RF31a, RF07a, RF08a, RF22a, RF09a, RF23a, RF11a, RF12a, RF16a, RF07b, RF12b, RF08b, RF22b, RF09b, RF23b, RF11b, RF29a, RF34a, RF32a, RF14a, RF24a, RF15a, RF25a, RF18a, RF17a, RF18b, RF14b, RF24b, RF15b, RF25b, RF30a, RF35a, RF33a
Balustrade (BL, BF)	BL01a, BL02a, BL11a, BL12a, BL21a, BL22a, BF25a, BF26a, BF27a, BF28a, BL03a, BL04a, BL13a, BL14a, BF01a, BF02a, BF03a, BF04a, BF05a, BF06a, BF07a, BF08a, BF01b, BF02b, BF03b, BF04b, BF05b, BF06b, BF07b, BF08b, BL05a, BL06a, BL07a, BL08a, BL09a, BL10a, BL15a, BL16a, BF21a, BF22a, BF23a, BF24a, BF21b, BF22b, BF23b, BF24b
Playhouse (PH)	PH03a, PH04a, PH05a, PH06a, PH10a, PH11a, PH40a, PH41a, PH12a, PH13a, PH14a, PH15a, PH42a, PH43a, PH44a, PH45a, PH16a, PH17a, PH18a, PH19a, PH30a, PH31a, PH16b, PH17b, PH18b, PH19b, PH46a, PH47a, PH48a, PH49a, PH16c, PH17c, PH18c, PH19c, PH46b, PH47b, PH48b, PH49b, PH34a, PH35a, PH20a, PH21a, PH22a, PH23a, PH24a, PH25a, PH26a, PH27a, PH32a, PH33a, PH52a, PH53a, PH54a, PH55a, PH56a, PH57a, PH50a, PH51a, PH26b, PH27b, PH26c, PH27c, PH56b, PH57b
Ladder (LA)	LA05a, LA06a, LA01a, LA02a, LA09a, LA03a, LA04a, LA01b, LA02b, LA09b, LA03b, LA04b, LA11a, LA12a, LA13a, LA14a, LA15a, LA16a, LA17a, LA18a, LA31a, LA32a, LA33a, LA34a, LA35a, LA36a, LA37a, LA38a, LA11b, LA12b, LA13b, LA14b, LA15b, LA16b, LA17b, LA18b, LA51a, LA52a, LA53a, LA54a, LA19a, LA20a, LA21a, LA22a, LA23a, LA24a, LA25a, LA26a, LA43a, LA44a, LA45a, LA46a, LA23b, LA24b, LA25b, LA26b
Two Step Ladder (TS)	TS01a, TS01b, TS02a, TS02b, TS21b, TS03b, TS22a, TS22b, TS05a, TS06a, TS07a, TS08a, TS09a, TS10a, TS11a, TS12a, TS15a, TS16a, TS17a, TS18a, TS19a, TS20a, TS21a, TS22a
Rope Ladder (RL)	RL01a, RL02a, RL05a, RL06a, RL07a, RL08a, RL09a, RL10a, RL11a, RL12a, RL15a, RL16a, RL19a, RL20a
Rock wall (RW)	RW01a, RW02a, RW01b, RW02b, RW03b, RW31a, RW32a, RW33a, RW05a, RW06a, RW07a, RW08a, RW09a, RW10a, RW11a, RW12a, RW05b, RW06b, RW07b, RW08b, RW40a, RW41a, RW40b, RW41b, RW42a, RW43a, RW15a, RW16a, RW17a, RW18a, RW19a, RW20a, RW46a, RW47a
Ramp (RA)	RA01b, RA02b, RA03a, RA04a, RA21a, RA05a, RA06a, RA07a, RA08a, RA05b, RA06b, RA07b, RA08b, RA11a, RA12a, RA09b, RA10b, RA11b, RA12b
Net (NA, NS)	NA01a, NA02a, NS01a, NS02a, NS03a, NS21a, NA04a, NA05a, NS04a, NS05a, NS06a, NS07a, NA08a, NA09a, NS08a, NS09a
Boat (BO)	BO01a
Market (MT)	MT01a, MT02a, TC01a, TC02a, MT01b, MT02b, TC01b, TC02b, MT05a, MT06a, MT11a, MT12a
Target Canvas (TC)	TC03a, TC04a, TC05a, TC06a
Picnic (PC)	PC01a, PC01b, PC05a, PC06a, PC09a, PC10a
Playkitchen (PK)	PK01a, PK05a, PK09a
Gymnastics bar (GY)	GY01a
Fireman's pole (FP)	FP30a, FP01a, FP02a, FP04a, FP05a, FP06a, FP07a, FP23a, FP24a, FP25a, FP26a, FP27a, FP28a
Slides (SL)	SL30a, SL31a, SL01a, SL02a, SL03a, SL06a, SL07a, SL08a, SL09a, SL10a, SL11a, SL12a, SL13a, SL26a, SL27a, SL28a, SL29a
Swing (SM)	SW17a, SW21a, SW18a, SW22a, SW19a, SW23a, SW01a, SW05a, SW02a, SW06a, SW03a, SW07a, SW09a, SW13a, SW10a, SW14a, SW11a, SW15a
Climb (CL)	CL17a, CL21a, CL18a, CL22a, CL19a, CL23a, CL01a, CL05a, CL02a, CL06a, CL03a, CL07a, CL09a, CL13a, CL10a, CL14a, CL11a, CL15a
Universal Beam (UB)	UB01a, UB04a, UB20a, UB21a, UB22a, UB23a, UB24a, UB25a, UB26a, UB27a, UB28a, UB29a, UB02a, UB05a, UB03a, UB06a, UB07a, UB08a
Accessories (AC)	AC40a, AC43a, AC30a, AC31a, AC32a, AC33a, AC01a, AC11a, AC05a, AC07a, AC03a, AC04a, AC06a, AC23a, AC22a, AC24a, AC21a, AC25a, AC02a, GA31, AC09a, AC08a, AC10a

Identification construction packages

a. Assembly kits for complete climbing frames - Montagesets für komplette Klettergerüste - Kits de montage pour structures d'escalade complètes

Playtowers	401_015, 401_080, 401_125, 402_201, 402_202, 402_204, 402_206, 402_208, 403_202, 403_204, 403_206, 403_208, 403_210, 409_802, 409_804
Swings	401_300, 401_600
Modules	457_005, 457_102, 457_103, 457_106, 457_107, 457_205

b. Assembly packs for climbing frames elements - Baupakete für Klettergerüst-Elemente - Packs de construction pour éléments de structures d'escalade

Sub assemblies	194_002, 194_003, 194_004, 194_006, 194_007, 194_008, 194_009, 194_010, 194_011, 194_100, 194_101, 194_102, 194_103, 194_104, 194_105, 194_107, 194_108, 194_109, 194_110, 194_111, 194_112, 194_113, 194_114, 194_115, 194_116, 194_117, 194_118, 194_119, 194_300, 194_308, 194_312, 194_500, 194_501, 194_508, 194_510, 194_802, 194_804, 194_809, 194_810, 194_811, 194_812
----------------	---

c. Accessories and components for climbing frames - Zubehör und Komponenten für Klettergerüste - Accessoires et composants pour structures d'escalade

Slides	324_x00, 324_100, 324_200, 324_300, 324_400, 324_500, 324_600, 334_x00, 334_100, 334_200, 334_300, 334_400, 334_500, 334_600
Fireman's pole	201_275
Climbing	201_060, 201_273
Imagination	201_230, 201_280, 201_285, 201_290, 201_295, 202_473, 450_310, 450_320, 450_330
Swinging	250_001, 250_013, 250_025, 250_034, 250_053
Functional	123_220, 123_222, 123_230, 201_115, 201_220, 201_250, 201_260, 201_270, 202_620, 202_621, 202_622, 202_623, 202_624, 202_625, 202_626, 202_627, 202_628, 202_629, 202_824, 250_060, 250_065, 250_070, 250_075

Applicable EU and UK directives, regulations and standards

General directives

- EU Product Safety Regulation (GPSR 2023/988/EC)
- UK General Product Safety Regulations (GPSRs SI 2005/1803)
- EU Reach Directive 1907/2006
- EU Accessibility Act (EAA 2019/882)
- AfPS GS 2019:01 PAK

Toy directives

- EU Toys Safety Directive (TSD 2009/48/EC)
- UK Toys Safety Regulations 2011 (TSR SI 2011/1881)

Harmonised European and UK toy standard

- Safety of toys (EN 71)
 - Part 1: Mechanical and physical properties (prEN 71-1:2024)
 - Part 2: Flammability (EN 71-2:2020/prA1:2023)
 - Part 3: Migration of certain elements (EN 71-3:2019+A2:2024)
 - Part 8: Activity toys for domestic use (prEN 71-8:2024)

Additional audits

Test reports / Certificate:

TÜV Rheinland Product Safety GmbH

Prüfbericht / Zertifikat:

Am Grauen Stein, 51105 Köln, Germany

Rapport d'essai / certificate:

Zertifikat: R 60010766, R 60024578

Prüfbericht: 21115718_003/004/005, 21140630_001/002

Dekra Automobil GmbH

Handwerkstraße 15, 70565 Stuttgart, Germany

Prüfbericht: 340331500_55245585/13-2, 55247432.14-1, 55247432.14-2

Laboratoire National de métrologie et d'essais (LNE)

29 Avenue Roger Hennequin, 78197 Trappes Cedex, France

Revue documentaire: K080196

Design

Product image:

Produktbild:

Image du produit:

Design Code: **88wQt9**



Production date: **12-02-2026**

Declaration

This declaration of conformity is issued solely under the responsibility of the manufacturer, who asserts that the aforementioned products comply with the applicable directives and harmonized standards, provided that installation, assembly, and maintenance are performed in accordance with the instructions supplied.

Diese Konformitätserklärung wird ausschließlich unter der Verantwortung des Herstellers ausgestellt, der erklärt, dass die genannten Produkte den geltenden Richtlinien und harmonisierten Standards entsprechen, vorausgesetzt, dass Installation, Montage und Wartung gemäß den bereitgestellten Anweisungen durchgeführt werden.

Cette déclaration de conformité est émise uniquement sous la responsabilité du fabricant, qui affirme que les produits mentionnés ci-dessus sont conformes aux directives applicables et aux normes harmonisées, à condition que l'installation, le montage et l'entretien soient réalisés conformément aux instructions fournies.

Manufacturer details

Jungle Gym B.V.

P.O. Box 75083

1070 AB Amsterdam

Netherlands

www.junglegym.com

info@junglegym.com

+31 85 44 44 100

Jungle Gym
BACKYARD PLAYGROUNDS

since 1988

Amsterdam, January 13th, 2026

On behalf of the manufacturer
Jungle Gym B.V.


Paul Schmit
CEO