

6V & 12V

2A

GENIUS2



CHARGE DEAD BATTERIES. BATTERY CHARGER AND MAINTAINER.

**6V &
12V**

DO MORE WITH GENIUS.

Designed for 6-volt and 12-volt lead-acid automotive, marine, and deep-cycle batteries, including flooded, gel, AGM, and maintenance-free, plus lithium-ion batteries.

**ZERO
VOLTS**

CHARGE DOWN TO ZERO VOLTS.

Charge dead batteries as low as 1-volt. Or use the all-new Force Mode that allows you to take control and manually begin charging dead batteries down to zero volts.

140%

MORE POWER.

Similar to our G1100, just better. It's 30% smaller and delivers 140% more power. And it's simpler and easier to use than ever before.

24/7

WORRY-FREE CHARGING.

Provides all-season, all-weather charging for a healthy battery, leave plugged in 24/7 with no worries of overcharging. Automatically returns to its last selected mode.

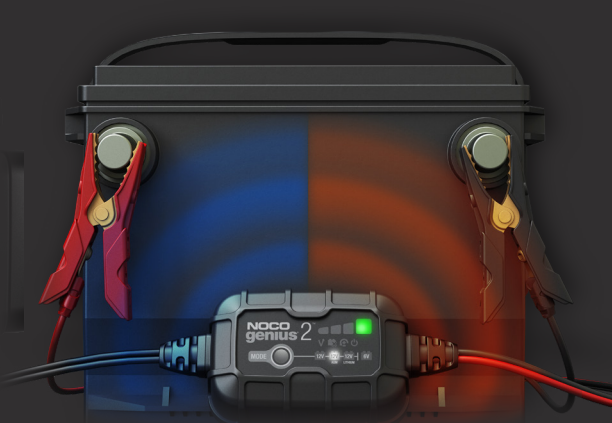


30339 Diamond Parkway, #102
Glenwillow, OH 44139 | USA
1.800.456.6626

no.co



LEAD ACID
AUTO | MARINE | RV | POWERSPORT | LAWN & GARDEN



CHARGING MODES

12V

Used for 12V wet cell, gel, enhanced flooded, maintenance-free, & calcium batteries.



AGM

Used for 12V AGM or maintenance-free batteries.



LITHIUM

Used for 12V lithium-ion batteries (including lithium iron phosphate). Only for batteries with Battery Management Systems (BMS).



6V

Used for 6V wet cell, gel, enhanced flooded, maintenance-free, & calcium batteries.



ADVANCED DIAGNOSTICS

STANDBY

The charger is in standby or the battery voltage is too low for the charger to detect.



BAD BATTERY

There is a possible battery short or the battery will not hold a charge. Consult a professional.



HIGH VOLTAGE

The battery voltage is too high for the selected charge mode. Check the battery and charge mode.



REVERSE POLARITY

Charger is connected to the battery in reverse. Reverse the connections.



CHARGE LED

Indicates the charge level of the internal battery.



THERMAL COMPENSATION.

The new integrated thermal sensor automatically monitors and adjusts the charging cycle based on fluctuations of ambient temperature, limiting the chance of under-charging or over-charging, providing a more accurate and fully charged battery.

Battery Size CHARGING TIMES

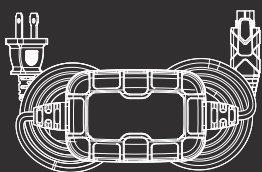
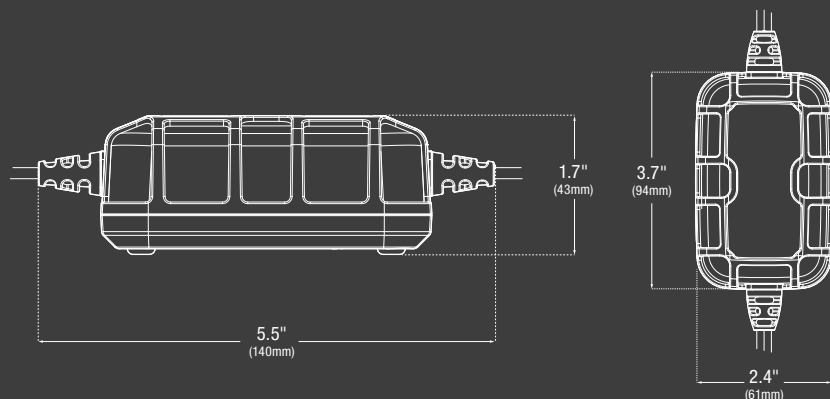
Battery Size	Charging Time
20Ah	7.5hr
40Ah	15hr
80Ah	30hr
100Ah	60hr

*Approximate charging times at 50% depth of discharge.

TECHNICAL SPECIFICATIONS

LINE VOLTAGE AC:	120-240 VAC, 50-60Hz
OUTPUT POWER:	30 Watts Max
CHARGING VOLTAGE:	Various
CHARGING CURRENT:	2A (12V), 2A (6V)
CHEMISTRY:	Lead-Acid and Lithium
OPERATING TEMPERATURE:	-4° to 104° F (-20° to +40° C)
STORAGE TEMPERATURE:	-22° to 140° F (-30° to +60° C)
LOW-VOLTAGE DETECTION:	1V (12V), 1V (6V)
BACK CURRENT DRAIN:	<0.5mA
BATTERY CAPACITY:	Up to 40Ah, Maintains All Battery Sizes
HOUSING PROTECTION:	IP65
COOLING:	Natural Convection
UNIT WEIGHT:	1.1 lbs (0.50 kg)
VOLUMETRICS:	Retail Packaging: Dimensions: 3.43" x 4.25" x 6.97" Weight: 1.23lbs UPC: 0-46221-19003-8
	Master Carton: Dimensions: 15.12" x 11.81" x 5.20" Weight: 8.45lbs Quantity: 6 UCC: 10046221190035
	Inner Carton: Dimensions: 3.70" x 4.49" x 7.20" Weight: 1.28lbs
	Units Per Pallet: NA - 480 Units International - 378 Units

WHAT'S IN THE BOX



GENIUS2 Battery Charger + Maintainer

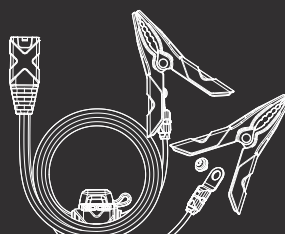
Mounting Bracket and Strap



Userguide and warranty



(2) #8x1" Self-tapping screws



Battery Clamps + Integrated Eyelets

NOCO

30339 Diamond Parkway, #102
Glenwillow, OH 44139 | USA
1.800.456.6626

no.co

