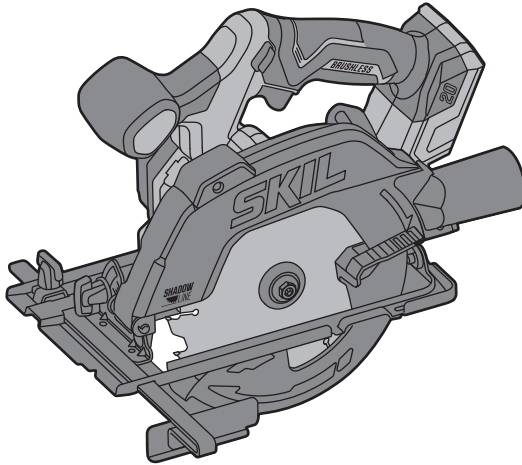


# SKIL®

## BRUSHLESS COMPACT CIRCULAR SAW 3551 (SW1\*3551\*\*)





<b>GB</b>	ORIGINAL INSTRUCTIONS	10	<b>UA</b>	ОРИГІНАЛЬНА ІНСТРУКЦІЯ З ЕКСПЛУАТАЦІЇ	105
<b>F</b>	NOTICE ORIGINALE	15	<b>GR</b>	ΠΡΟΤΟΤΥΠΟ ΟΔΗΓΙΩΝ ΧΡΗΣΗΣ	111
<b>D</b>	ORIGINALBETRIEBSANLEITUNG	21	<b>RO</b>	INSTRUCȚIUNI DE FOLOSIRE ORIGINALE	118
<b>NL</b>	ORIGINELE GEBRUIKSAANWIJZING	28	<b>BG</b>	ОРИГИНАЛНО РЪКОВОДСТВО ЗА ЕКСПЛОАТАЦИЯ	124
<b>S</b>	BRUKSANVISNING I ORIGINAL	34	<b>SK</b>	PŔOVODNÝ NÁVOD NA POUŽITIE	131
<b>DK</b>	ORIGINAL BRUGSANVISNING	39	<b>HR</b>	ORIGINALNE UPUTE ZA RAD	136
<b>N</b>	ORIGINAL BRUKSANVISNING	45	<b>SRB</b>	ORIGINALNO UPUTSTVO ZA RAD	142
<b>FIN</b>	ALKUPERÄISET OHJEET	50	<b>SLO</b>	IZVIRNA NAVODILA	147
<b>E</b>	MANUAL ORIGINAL	56	<b>EST</b>	ALGUPÄRANE KASUTUSJUHEND	153
<b>P</b>	MANUAL ORIGINAL	62	<b>LV</b>	ORIĢINĀLĀ LIETOŠANAS PAMĀCĪBA	158
<b>I</b>	ISTRUZIONI ORIGINALI	68	<b>LT</b>	ORIGINALI INSTRUKCIJA	164
<b>H</b>	EREDETI HASZNÁLATI UTASÍTÁS	74	<b>MK</b>	ИЗБОРНО УПАТСТВО ЗА РАБОТА	170
<b>CZ</b>	PŔVODNÍM NÁVODEM K POUŽÍVÁNÍ	80	<b>AL</b>	UDHËZIMET ORIGINALE	176
<b>TR</b>	ORİJİNAL İŞLETME TALİMATI	85	<b>AR</b>	دليل الاستعمال	194
<b>PL</b>	INSTRUKCJA ORYGINALNA	91	<b>FA</b>	راهنمای اصلی	190
<b>RU</b>	ПОДЛИННИК РУКОВОДСТВА ПО ЭКСПЛУАТАЦИИ	97			




[www.skil.com](http://www.skil.com)



<b>GB</b>	EU Declaration of conformity Brushless compact circular saw Article number	We declare under our sole responsibility that the stated products comply with all applicable provisions of the directives and regulations listed below and are in conformity with the following standards. Technical file at:*
<b>F</b>	Déclaration de conformité UE Scie circulaire sans balais Numéro d'article	Nous déclarons sous notre propre responsabilité que les produits décrits sont en conformité avec les directives, règlements normatifs et normes énumérés ci-dessous. Dossier technique auprès de:*
<b>D</b>	EU-Konformitätserklärung Bürstenlose Kreissäge Sachnummer	Wir erklären in alleiniger Verantwortung, dass die genannten Produkte allen einschlägigen Bestimmungen der nachfolgend aufgeführten Richtlinien und Verordnungen entsprechen und mit folgenden Normen übereinstimmen. Technische Unterlagen bei:*
<b>NL</b>	EU-conformiteitsverklaring Borstelloze cirkelzaag Productnummer	Wij verklaren op eigen verantwoordelijkheid dat de genoemde producten voldoen aan alle desbetreffende bepalingen van de hierna genoemde richtlijnen en verordeningen en overeenstemmen met de volgende normen. Technisch dossier bij:*
<b>S</b>	EU-konformitetsförklaring Borstlös cirkelsåg Produktnummer	Vi förklarar under eget ansvar att de nämnda produkterna uppfyller kraven i alla gällande bestämmelser i de nedan angivna direktiven och förordningarnas och att de stämmer överens med följande normer. Teknisk dokumentation:*
<b>DK</b>	EU-overensstemmelseserklæring Børsteløs rundsav Typenummer	Vi erklærer som eneansvarlige, at det beskrevne produkt er i overensstemmelse med alle gældende bestemmelser i følgende direktiver og forordninger og opfylder følgende standarder. Tekniske bilag ved:*
<b>N</b>	EU-samsvarserklæring Børsteløs sirkelsag Produktnummer	Vi erklærer under eneansvar at de nevnte produktene er i overensstemmelse med alle relevante bestemmelser i direktivene og forordningene nedenfor og med følgende standarder. Teknisk dokumentasjon hos:*
<b>FIN</b>	EU-vaatimustenmukaisuusvakuutus Harjaton pyörösaha Tuotenumero	Vakuutamme täten, että mainitut tuotteet vastaavat kaikkia seuraavien direktiivien ja asetusten asiaankuuluvia vaatimuksia ja ovat seuraavien standardien vaatimusten mukaisia. Tekniset asiakirjat saatavana:*
<b>E</b>	Declaración de conformidad UE Sierra circular sin escobillas Número de artículo	Declaramos bajo nuestra exclusiva responsabilidad, que los productos nombrados cumplen con todas las disposiciones correspondientes de las directivas y los reglamentos mencionados a continuación y están en conformidad con las siguientes normas. Documentos técnicos de:*
<b>P</b>	Declaração de conformidade CE Serra circular sem escovas Número do produto	Declaramos sob nossa exclusiva responsabilidade que os produtos mencionados cumprem todas as disposições e os regulamentos indicados e estão em conformidade com as seguintes normas. Documentação técnica pertencente à:*
<b>I</b>	Dichiarazione di conformità UE Sega circolare senza spazzole Codice prodotto	Dichiariamo sotto la nostra piena responsabilità che i prodotti indicati sono conformi a tutte le disposizioni pertinenti delle direttive e dei regolamenti elencati di seguito, nonché alle seguenti normative. Documentazione tecnica presso:*
<b>H</b>	EU konformitási nyilatkozat Kefe nélküli körfűrész Cikkszám	Egyedüli felelőséggel kijelentjük, hogy a megnevezett termékek megfelelnek az alábbiakban felsorolásra kerülő irányelvek és rendeletek valamennyi idevágó előírásainak és megfelelnek a következő szabványoknak. Műszaki dokumentumok megőrzési pontja:*
<b>CZ</b>	EU prohlášení o shodě Bezkontaktní kotoučová pila Objednací číslo	Prohlašujeme na výhradní zodpovědnost, že uvedený výrobek splňuje všechna příslušná ustanovení níže uvedených směrnic a nařízení a je v souladu s následujícími normami. Technické podklady u:*
<b>TR</b>	AB Uygunluk beyanı Firçasız daire testere Ürün kodu	Tek sorumlu olarak, tanımlanan ürünün aşağıdaki yönetmelik ve direktiflerin geçeri bütün hükümlerine ve aşağıdaki standartlara uygun olduğunu beyan ederiz. Teknik belgelerin bulunduğu yer:*
<b>PL</b>	Deklaracja zgodności UE Bezszcotkowa pilarka tarczowa Numer katalogowy	Oświadczamy z pełną odpowiedzialnością, że niniejsze produkty odpowiadają wszystkim wymaganiom poniżej wyszczególnionych dyrektyw i rozporządzeń, oraz że są zgodne z następującymi normami. Dokumentacja techniczna:*
<b>RU</b>	Заявление о соответствии ЕС Бесщеточная циркулярная пила Товарный номер	Мы заявляем под нашу единоличную ответственность, что названные продукты соответствуют всем действующим предписаниям нижеуказанных директив и распоряжений, а также нижеуказанных норм. Техническая документация хранится у:*
<b>UA</b>	Заява про відповідність ЄС Безщіткова циркулярна пила Товарний номер	Мизаявляємо під нашу одноособову відповідальність, що названі вироби відповідають усім чинним положенням нищезначених директив і розпоряджень, а також нищезначеним нормам. Технічна документація зберігається у:*

<b>GR</b>	Δήλωση πιστότητας ΕΕ Διακοπρίονο χωρίς ψήκτρες	Αριθμός ευρετηρίου	Δηλώνουμε με αποκλειστική μας ευθύνη, ότι τα αναφερόμενα προϊόντα αντιστοιχούν σε όλες τις σχετικές διατάξεις των πιο κάτω αναφερόμενων οδηγιών και κανονισμών και ταυτίζονται με τα ακόλουθα πρότυπα. Τεχνικά έγγραφα στη*:	
<b>RO</b>	Declarație de conformitate UE Ferăstrău circular fără perii	Număr de identificare	Declarăm pe proprie răspundere că produsele menționate corespund tuturor dispozițiilor relevante ale directivelor și reglementărilor enumerate în cele ce urmează și sunt în conformitate cu următoarele standarde. Documentație tehnică la*:	
<b>BG</b>	ЕС декларация за съответствие Безщетков циркулярен трион	Каталожен номер	С пълна отговорност ние декларираме, че посочените продукти отговарят на всички валидни изисквания на директивите и разпоредбите по-долу и съответства на следните стандарти. Техническа документация при*:	
<b>SK</b>	Pôvodnej EU vyhlásenie o zhode Bezkontaktná kotúčová píla	Vecné číslo	Vyhlasujeme na výhradnú zodpovednosť, že uvedený výrobok spĺňa všetky príslušné ustanovenia nižšie uvedených smerníc a nariadení a je v súlade s nasledujúcimi normami. Technické podklady má spoločnosť*:	
<b>HR</b>	EU izjava o skladnosti Kružna pila bez četkica	Kataloški broj	Pod punom odgovornošću izjavljujemo da navedeni proizvodi odgovaraju svim relevantnim odredbama direktiva i propisima navedenima u nastavku i da su skladni sa sljedećim normama. Tehnička dokumentacija se može dobiti kod*:	
<b>SRB</b>	EU-izjava o usaglašenosti Kružna testera bez četkica	Broj predmeta	Na sopstvenu odgovornost izjavljujemo, da navedeni proizvodi odgovaraju svim dotičnim odredbama naknadno navedenih smernica u uredaba i da su u skladu sa sledećim standardima. Tehnička dokumentacija kod*:	
<b>SLO</b>	Izjava o skladnosti ES Brezkrtlačna krožna žaga	Številka artikla	Izjavljam o izključno odgovornosti, da je omenjen izdelek v skladu z vsemi relevantnimi določili direktiv in uredb ter ustreza naslednjim standardom. Tehnična dokumentacija pri*:	
<b>EST</b>	EL-vastavusdeklaratsioon Harjadeta ketassaag	Tootnumber	Kinnitame ainuvastutajatena, et nimetatud tooted vastavad järgnevalt loetletud direktiivide ja määruste kõikiolulisi asjaomasele nõuetele ja on kooskõlas järgmistega normidega. Tehnilised dokumendid saadaval*:	
<b>LV</b>	Deklarācija par atbilstību EK standartiem Bezkontakta ripzāģis	Izstrādājuma numurs	Mēs ar pilnu atbildību paziņojam, ka šeit aplūkoti izstrādājumi atbilst visiem tālāk minētajās direktīvās un rīkojumos ietvertajām saistošajām nostādņēm, kā arī sekojošiem standartiem. Tehniskā dokumentācija no*:	
<b>LT</b>	ES atitikties deklaracija Bešepetėlis diskinis pjūklas	Gaminio numeris	Atsakingai pareiškiame, kad išvardyti gaminiai atitinka visus privalomus žemiau nurodytų direktyvų ir reglamentų reikalavimus ir šiuos standartus. Techninė dokumentacija saugoma*:	
<b>MK</b>	EU-Изјава за сообразност Кружна пила без четки	Број на артикл	Со целосна одговорност изјавуваме, дека опишаните производи се во согласност со сите релевантни одредби на следните регулативи и прописи и се во согласност со следните норми. Техничка документација нај*:	
<b>AL</b>	EU Deklarata e konformitetit Sharrë disk pa karbonçina	Numri i nenit	Ne deklarojmë me përgjegjësinë tonë të vetme se produktet e paraqitura janë në përputhje me të gjitha dispozitat e zbatueshme të direktivave dhe rregulloreve të listuara më poshtë dhe janë në përputhje me standardet si më poshtë. Dosja teknike në*:	
<b>3551</b>	<b>SW1*3551**</b>		2006/42/EC 2014/30/EU 2011/65/EU	EN 62841-1: 2015+A11:2022 EN 62841-2-5:2014  EN 55014-1: 2021 EN 55014-2: 2021  EN 63000:2018
				*Skil BV Rithmeesterpark 22 A1 4838 GZ Breda The Netherlands
			Olaf Dijkgraaf Approval Manager	
			Skil BV, Rithmeesterpark 22 A1, 4838 GZ Breda, NL	18.10.2023

<p><b>Declaration of Conformity</b></p>	<p>We declare under our sole responsibility that the stated products comply with all applicable provisions of the directives and regulations listed below and are in conformity with the following standards</p>
<p><b>Brushless compact circular saw</b> Article number <b>3551</b> SW1*3551**</p>	<p>Technical file at: Chervon Europe Ltd., 34 Bridge Street, Reading, RG1 2LU, United Kingdom</p> <p>Supply of Machinery (Safety) Regulations 2008 (SI 2008/1597) Electromagnetic Compatibility Regulations 2016 (SI 2016/1091) The Restriction of the Use of Certain Hazardous Substances in Electrical and Electronic Equipment Regulations 2012 (SI 2012/3032)</p> <p>EN 62841-1: 2015+A11:2022 EN 62841-2-5:2014</p> <p>EN 55014-1:2021 EN 55014-2:2021</p> <p>EN 63000:2018</p>
	<p><b>SKIL</b><sup>®</sup> Chervon Europe Ltd., 34 Bridge Street, Reading, RG1 2LU, United Kingdom, as authorized representative (in terms of above regulations) acting on behalf of Skil BV, Rithmeesterpark 22 A1, 4838GZ Breda, The Netherlands</p> <p>James McCrory Technical Service Manager</p>  <p>Place of issue: Reading Date of issue: 18/10/2023</p>

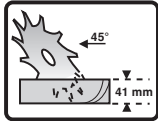
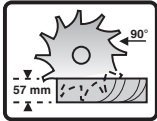
1

# 3551

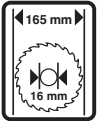
20V Max  
**18 Volt**

2,0 Ah  
2,5 Ah  
  
2,9 kg

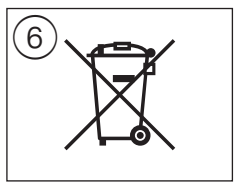
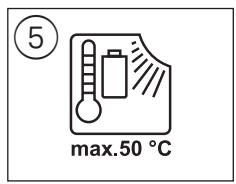
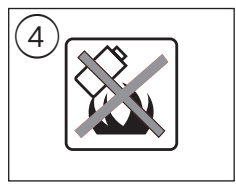
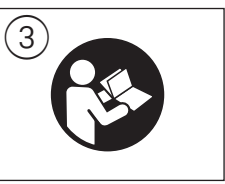
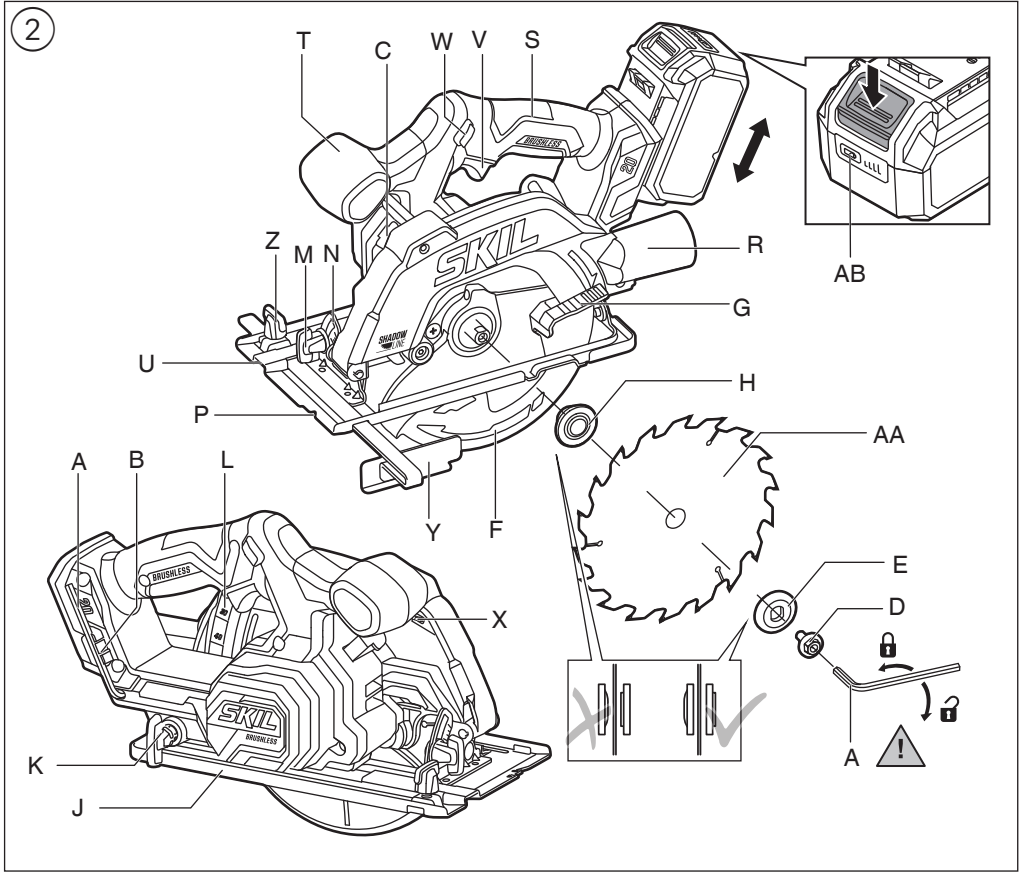
4,0 Ah  
5,0 Ah  
  
3,2 kg

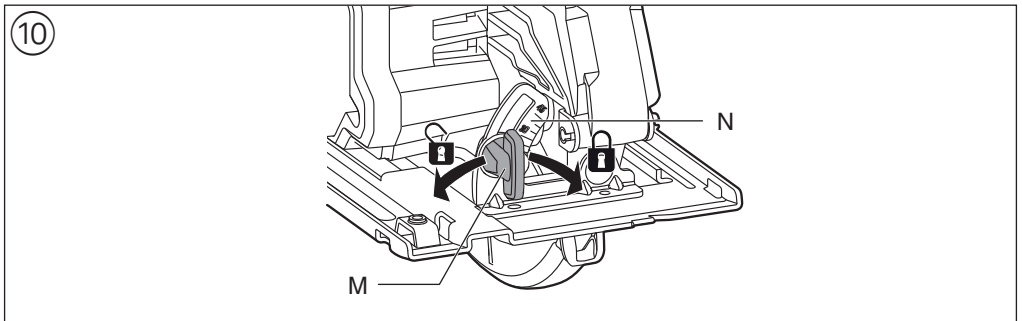
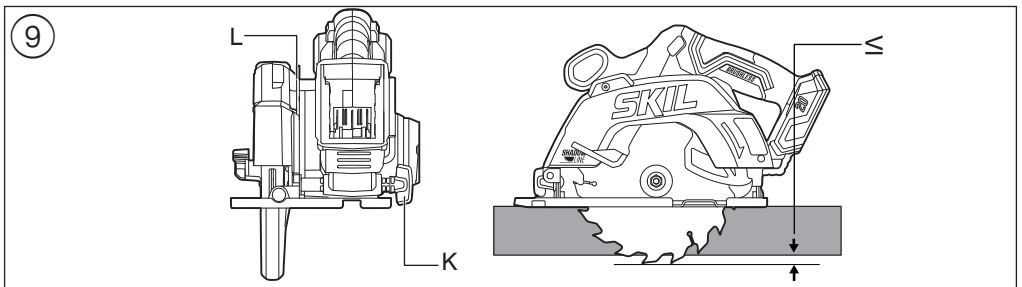
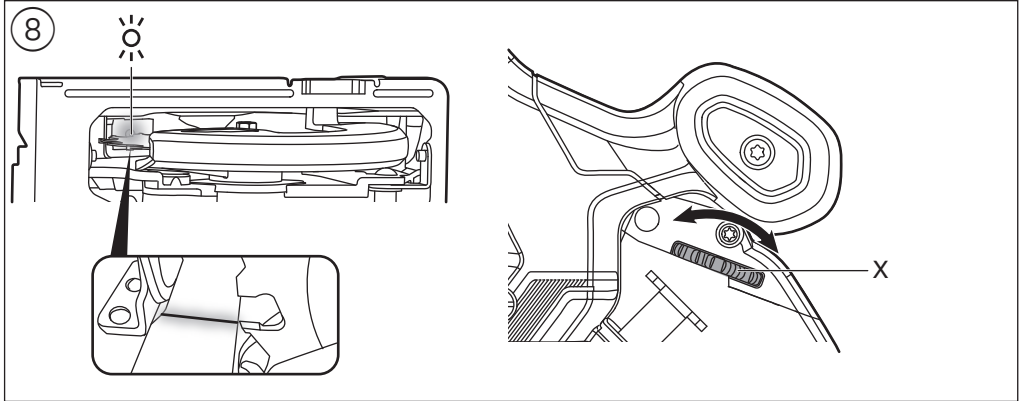
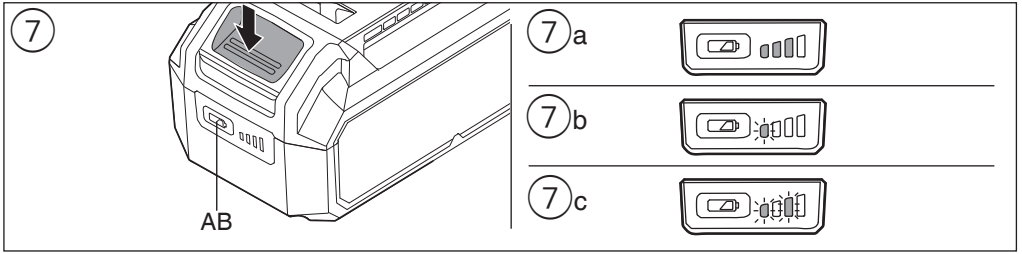


  
**5500 /min**

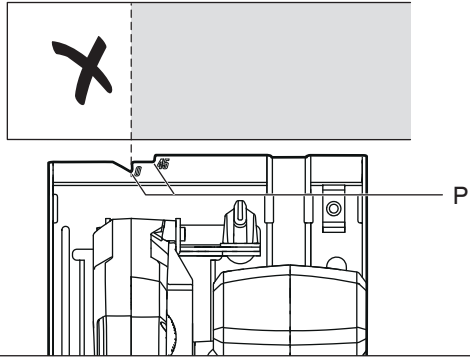


2

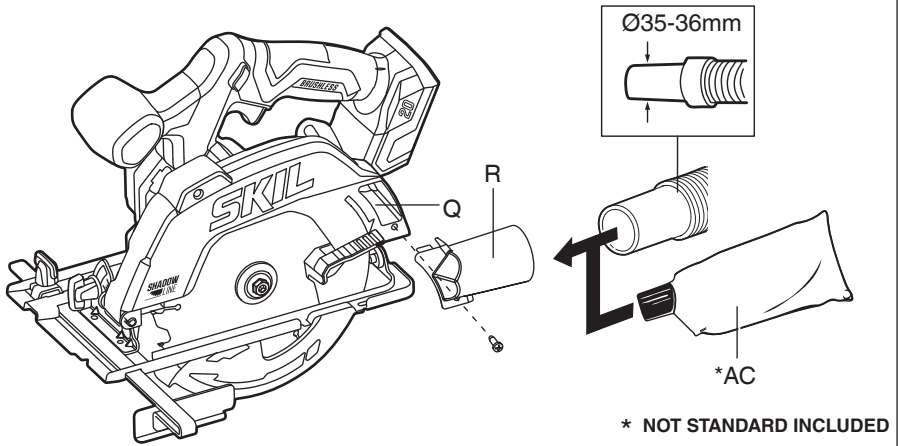




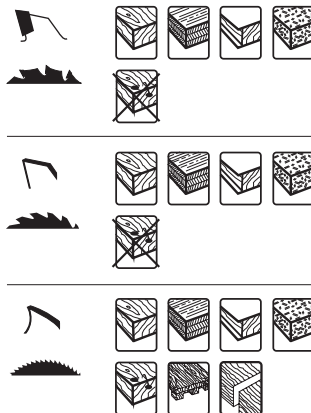
11

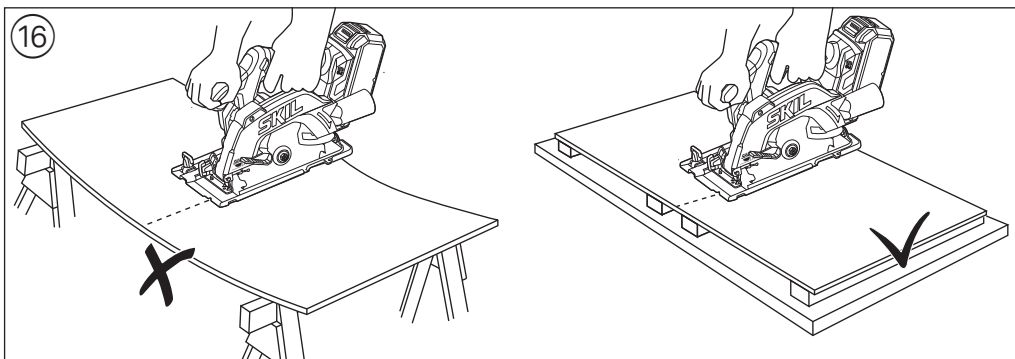
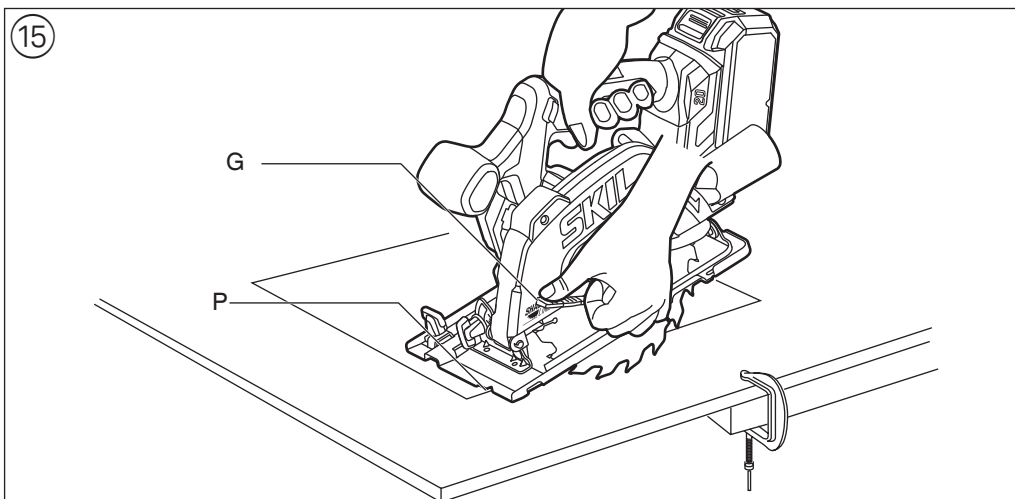
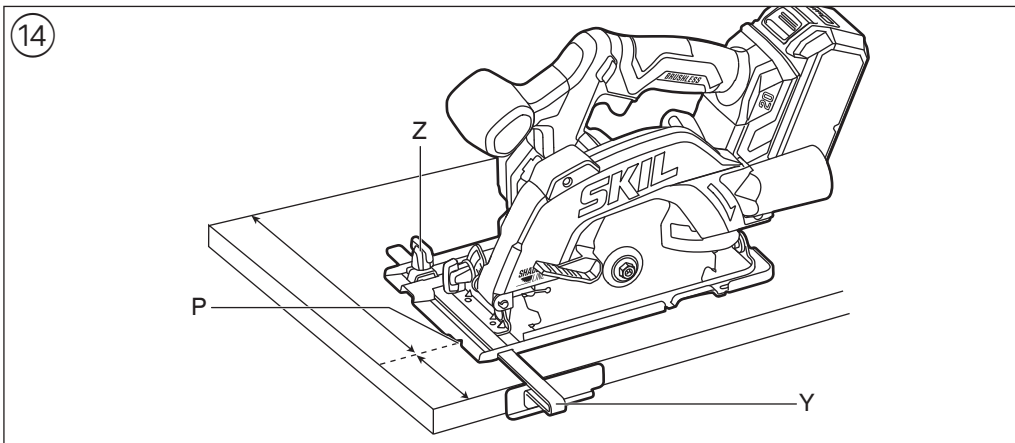


12

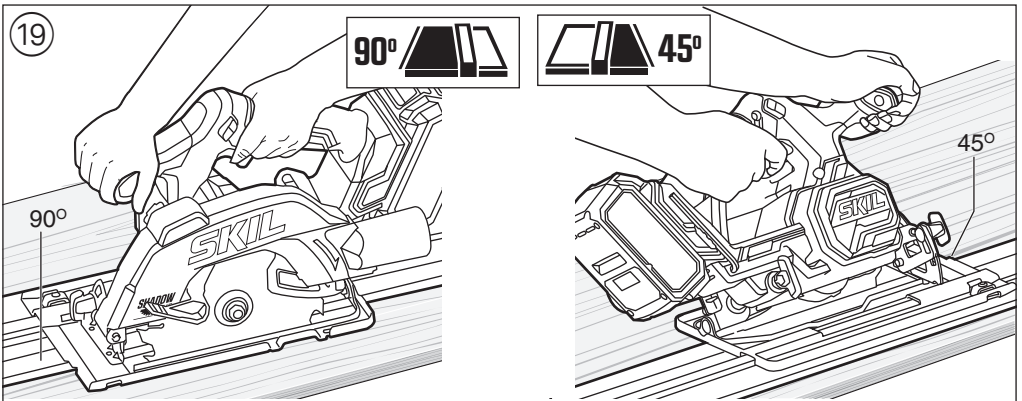
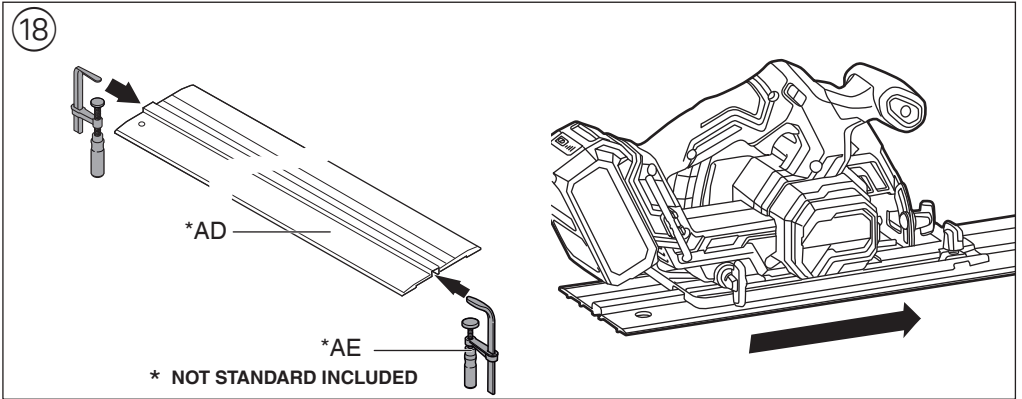
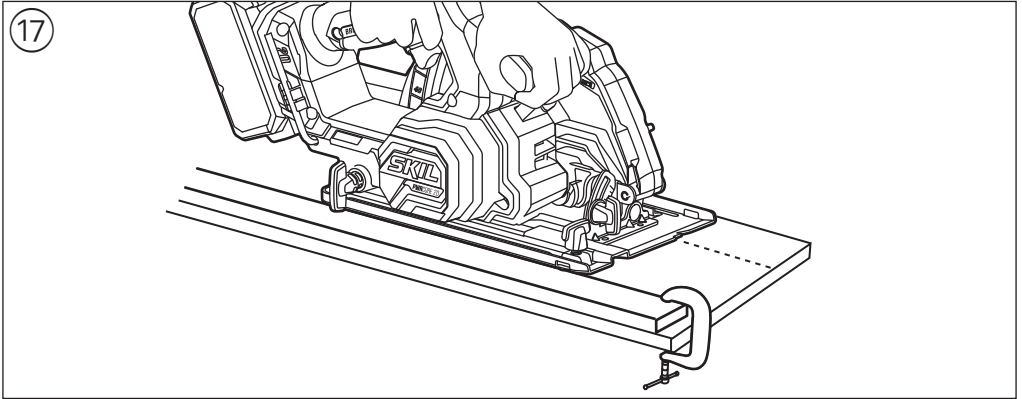


13









ACCESSORIES → WWW.SKIL.COM

## Brushless compact circular saw

3551

### INTRODUCTION

- This tool is intended for lengthways and crossways cutting of wood with straight cuts as well as angle cuts up to 45°
- This tool is not intended for professional use
- Read and save this instruction manual ③

### TECHNICAL DATA ①

### MACHINE ELEMENTS ②

- A Hex key
- B Storage for hex key
- C Spindle-lock button
- D Bolt
- E Flange
- F Lower guard
- G Lever for opening lower guard
- H Clamping surface
- J Foot plate
- K Knob for setting cutting depth
- L Cutting depth indicator
- M Knob for adjusting cutting angle
- N Cutting angle indicator
- P Line-of-cut indicator
- Q Dust extractor port
- R Vacuum cleaner adapter
- S Rear handle
- T Front handle
- U Guide rail slot
- V Trigger switch
- W Safety switch
- X LED cleaning dial
- Y Parallel guide
- Z Knob for adjusting parallel guide
- AA Saw blade
- AB Battery level indicator
- AC Dust bag\*
- AD Guide rail\*
- AE Guide rail clamp\*

\* NOT STANDARD INCLUDED

### SAFETY

#### GENERAL MACHINE SAFETY WARNINGS

**⚠ WARNING** Read all safety warnings, instructions, illustrations and specifications provided with this power tool. Failure to follow all instructions listed below may result in electric shock, fire and/or serious injury.

Save all warnings and instructions for future reference.

The term "power tool" in the warnings refers to your mains-operated (corded) power tool or battery-operated (cordless) power tool.

#### 1) WORK AREA SAFETY

- a) **Keep work area clean and well lit.** Cluttered or dark areas invite accidents.
- b) **Do not operate power tools in explosive atmospheres, such as in the presence of flammable liquids, gases or dust.** Power tools create sparks which may ignite the dust or fumes.
- c) **Keep children and bystanders away while operating a power tool.** Distractions can cause you to lose control.

#### 2) ELECTRICAL SAFETY

- a) **Power tool plugs must match the outlet. Never modify the plug in any way. Do not use any adapter plugs with earthed (grounded) power tools.** Unmodified plugs and matching outlets will reduce risk of electric shock.
- b) **Avoid body contact with earthed or grounded surfaces, such as pipes, radiators, ranges and refrigerators.** There is an increased risk of electric shock if your body is earthed or grounded.
- c) **Do not expose power tools to rain or wet conditions.** Water entering a power tool will increase the risk of electric shock.
- d) **Do not abuse the cord. Never use the cord for carrying, pulling or unplugging the power tool. Keep cord away from heat, oil, sharp edges or moving parts.** Damaged or entangled cords increase the risk of electric shock.
- e) **When operating a power tool outdoors, use an extension cord suitable for outdoor use.** Use of a cord suitable for outdoor use reduces the risk of electric shock.
- f) **If operating a power tool in a damp location is unavoidable, use a residual current device (RCD) protected supply.** Use of an RCD reduces the risk of electric shock.

#### 3) PERSONAL SAFETY

- a) **Stay alert, watch what you are doing and use common sense when operating a power tool. Do not use a power tool while you are tired or under the influence of drugs, alcohol or medication.** A moment of inattention while operating power tools may result in serious personal injury.
- b) **Use personal protective equipment. Always wear eye protection.** Protective equipment such as a dust mask, non-skid safety shoes, hard hat or hearing protection used for appropriate conditions will reduce personal injuries.
- c) **Prevent unintentional starting. Ensure the switch is in the off-position before connecting to power source and/or battery pack, picking up or carrying the tool.** Carrying power tools with your finger on the switch or energising power tools that have the switch on invites accidents.
- d) **Remove any adjusting key or wrench before turning the power tool on.** A wrench or a key left attached to a rotating part of the power tool may result in personal injury.
- e) **Do not overreach. Keep proper footing and balance at all times.** This enables better control of the power tool in unexpected situations.
- f) **Dress properly. Do not wear loose clothing or jewellery. Keep your hair and clothing away from moving parts.** Loose clothes, jewellery or long hair can

be caught in moving parts.

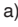
- g) **If devices are provided for the connection of dust extraction and collection facilities, ensure these are connected and properly used.** Use of dust collection can reduce dust-related hazards.
- h) **Do not let familiarity gained from frequent use of tools allow you to become complacent and ignore tool safety principles.** A careless action can cause severe injury within a fraction of a second.
- 4) **POWER TOOL USE AND CARE**
- a) **Do not force the power tool. Use the correct power tool for your application.** The correct power tool will do the job better and safer at the rate for which it was designed.
- b) **Do not use the power tool if the switch does not turn it on and off.** Any power tool that cannot be controlled with the switch is dangerous and must be repaired.
- c) **Disconnect the plug from the power source and/ or remove the battery pack, if detachable, from the power tool before making any adjustments, changing accessories, or storing power tools.** Such preventive safety measures reduce the risk of starting the power tool accidentally.
- d) **Store idle power tools out of the reach of children and do not allow persons unfamiliar with the power tool or these instructions to operate the power tool.** Power tools are dangerous in the hands of untrained users.
- e) **Maintain power tools and accessories. Check for misalignment or binding of moving parts, breakage of parts and any other condition that may affect the power tool's operation. If damaged, have the power tool repaired before use.** Many accidents are caused by poorly maintained power tools.
- f) **Keep cutting tools sharp and clean.** Properly maintained cutting tools with sharp cutting edges are less likely to bind and are easier to control.
- g) **Use the power tool, accessories and tool bits etc. in accordance with these instructions, taking into account the working conditions and the work to be performed.** Use of the power tool for operations different from those intended could result in a hazardous situation.
- h) **Keep handles and grasping surfaces dry, clean and free from oil and grease.** Slippery handles and grasping surfaces do not allow for safe handling and control of the tool in unexpected situations.
- 5) **BATTERY TOOL USE AND CARE**
- a) **Recharge only with the charger specified by the manufacturer.** A charger that is suitable for one type of battery pack may create a risk of fire when used with another battery pack.
- b) **Use power tools only with specifically designated battery packs.** Use of any other battery packs may create a risk of injury and fire.
- c) **When battery pack is not in use, keep it away from other metal objects, like paper clips, coins, keys, nails, screws or other small metal objects, that can make a connection from one terminal to another.** Shorting the battery terminals together may cause burns or a fire.
- d) **Under abusive conditions, liquid may be ejected from the battery; avoid contact. If contact accidentally occurs, flush with water.** If liquid contacts

eyes, additionally seek medical help. Liquid ejected from the battery may cause irritation or burns.

- e) **Do not use a battery pack or tool that is damaged or modified.** Damaged or modified batteries may exhibit unpredictable behavior resulting in fire, explosion or risk of injury.
- f) **Do not expose a battery pack or tool to fire or excessive temperature.** Exposure to fire or temperature above 130°C may cause explosion.
- g) **Follow all charging instructions and do not charge the battery pack or tool outside the temperature range specified in the instructions.** Charging improperly or at temperatures outside the specified range may damage the battery and increase the risk of fire.
- 6) **SERVICE**
- a) **Have your power tool serviced by a qualified repair person using only identical replacement parts.** This will ensure that the safety of the power tool is maintained.
- b) **Never service damaged battery packs. Service of battery packs should only be performed by the manufacturer or authorized service providers.**

#### **SAFETY INSTRUCTIONS FOR BRUSHLESS COMPACT CIRCULAR SAWS**

#### **SAFETY INSTRUCTIONS FOR ALL SAWS**

- a) ** DANGER: Keep hands away from cutting area and the blade. Keep your second hand on auxiliary handle, or motor housing.** If both hands are holding the saw, they cannot be cut by the blade.
- b) **Do not reach underneath the workpiece.** The guard cannot protect you from the blade below the workpiece.
- c) **Adjust the cutting depth to the thickness of the workpiece.** Less than a full tooth of the blade teeth should be visible below the workpiece.
- d) **Never hold the workpiece in your hands or across your leg while cutting. Secure the workpiece to a stable platform.** It is important to support the work properly to minimize body exposure, blade binding, or loss of control.
- e) **Hold the power tool by insulated gripping surfaces, when performing an operation where the cutting tool may contact hidden wiring.** Contact with a "live" wire will also make exposed metal parts of the power tool "live" and could give the operator an electric shock
- f) **When ripping, always use a rip fence or straight edge guide.** This improves the accuracy of cut and reduces the chance of blade binding.
- g) **Always use blades with correct size and shape (diamond versus round) of arbour holes.** Blades that do not match the mounting hardware of the saw will run off-centre, causing loss of control.
- h) **Never use damaged or incorrect blade washers or bolt.** The blade washers and bolt were specially designed for your saw, for optimum performance and safety of operation.

#### **FURTHER SAFETY INSTRUCTIONS FOR ALL SAWS**

#### **KICKBACK CAUSES AND RELATED WARNINGS**

- kickback is a sudden reaction to a pinched, jammed or misaligned saw blade, causing an uncontrolled saw to

- lift up and out of the workpiece toward the operator;
- when the blade is pinched or jammed tightly by the kerf closing down, the blade stalls and the motor reaction drives the unit rapidly back toward the operator;
- if the blade becomes twisted or misaligned in the cut, the teeth at the back edge of the blade can dig into the top surface of the wood causing the blade to climb out of the kerf and jump back toward the operator.

Kickback is the result of saw misuse and/or incorrect operating procedures or conditions and can be avoided by taking proper precautions as given below.

- Maintain a firm grip with both hands on the saw and position your arms to resist kickback forces. Position your body to either side of the blade, but not in line with the blade.** Kickback could cause the saw to jump backwards, but kickback forces can be controlled by the operator, if proper precautions are taken.
- When blade is binding, or when interrupting a cut for any reason, release the trigger and hold the saw motionless in the material until the blade comes to a complete stop. Never attempt to remove the saw from the work or pull the saw backward while the blade is in motion or kickback may occur.** Investigate and take corrective actions to eliminate the cause of blade binding.
- When restarting a saw in the workpiece, centre the saw blade in the kerf so that the saw teeth are not engaged into the material.** If a saw blade binds, it may walk up or kickback from the workpiece as the saw is restarted.
- Support large panels to minimise the risk of blade pinching and kickback.** Large panels tend to sag under their own weight. Supports must be placed under the panel on both sides, near the line of cut and near the edge of the panel.
- Do not use dull or damaged blades.** Unsharpened or improperly set blades produce narrow kerf causing excessive friction, blade binding and kickback.
- Blade depth and bevel adjusting locking levers must be tight and secure before making the cut.** If blade adjustment shifts while cutting, it may cause binding and kickback.
- Use extra caution when sawing into existing walls or other blind areas.** The protruding blade may cut objects that can cause kickback.

#### LOWER GUARD FUNCTION

- Check the lower guard for proper closing before each use. Do not operate the saw if the lower guard does not move freely and close instantly. Never clamp or tie the lower guard into the open position.** If the saw is accidentally dropped, the lower guard may be bent. Raise the lower guard with the retracting handle and make sure it moves freely and does not touch the blade or any other part, in all angles and depths of cut.
- Check the operation of the lower guard spring. If the guard and the spring are not operating properly, they must be serviced before use.** Lower guard may operate sluggishly due to damaged parts, gummy deposits, or a build-up of debris.
- The lower guard may be retracted manually only for special cuts such as “plunge cuts” and “compound cuts”. Raise the lower guard by the retracting**

**handle and as soon as the blade enters the material, the lower guard must be released.** For all other sawing, the lower guard should operate automatically.

- Always observe that the lower guard is covering the blade before placing the saw down on bench or floor.** An unprotected, coasting blade will cause the saw to walk backwards, cutting whatever is in its path. Be aware of the time it takes for the blade to stop after switch is released.

#### GENERAL

- This tool should not be used by people under the age of 16 years.
- This tool is not suitable for wet cutting.
- Do not work materials containing asbestos** (asbestos is considered carcinogenic)
- Dust from material such as paint containing lead, some wood species, minerals and metal may be harmful (contact with or inhalation of the dust may cause allergic reactions and/or respiratory diseases to the operator or bystanders); **wear a dust mask and work with a dust extraction device when connectable**
- Certain kinds of dust are classified as carcinogenic (such as oak and beech dust) especially in conjunction with additives for wood conditioning; **wear a dust mask and work with a dust extraction device when connectable**
- Follow the dust-related national requirements for the materials you want to work with
- Do not use this saw in combination with a saw table
- Remove battery from tool before making any adjustments or changing accessories

#### ACCESSORIES

- SKIL can assure flawless functioning of the tool only when original accessories are used
- Use only accessories with an allowable speed matching at least the highest no-load speed of the tool
- Use only saw blades that correspond with the characteristic data given in these operation instructions and that are tested and marked in accordance with EN 847-1
- Use only saw blades with diameter of 165 mm and a spindle hole of 16 mm
- Never use grinding/cutting discs with this tool

#### BEFORE USE

- Avoid damage that can be caused by screws, nails and other elements in your workpiece; remove them before you start working
- Remove all obstacles on top of as well as underneath the cutting path before you start cutting
- Secure the workpiece** (a workpiece clamped with clamping devices or in a vice is held more securely than by hand)
- Use suitable detectors to find hidden utility lines or call the local utility company for assistance** (contact with electric lines can lead to fire or electrical shock; damaging a gas line can result in an explosion; penetrating a water pipe will cause property damage or an electrical shock)

#### DURING USE

- The noise level when working can exceed 85 dB(A); wear ear protection
- Never use the tool without the original protection guard system
- Do not attempt to cut extremely small workpieces
- Do not work overhead with the tool

- In case of jamming or electrical or mechanical malfunction, immediately switch off the tool and remove the battery

#### AFTER USE

- When you put away the tool, switch off the motor and ensure that all moving parts have come to a complete standstill
- After switching off your circular saw, never stop the rotation of the saw blade by a lateral force applied against it

#### BATTERIES

- **The battery supplied, if any, is partially charged** (to ensure full capacity of the battery, completely charge the battery in the battery charger before using your power tool for the first time)
- **Only use the following batteries and chargers with this tool**
  - SKIL battery: BR1\*31\*\*\*\*
  - SKIL charger: CR1\*31\*\*\*\*
- Do not use battery when damaged; it should be replaced immediately
- Do not disassemble the battery
- Do not expose tool/battery to rain
- Permitted ambient temperature (tool/charger/battery):
  - when charging 4...40°C
  - during operation -20...+50°C
  - during storage -20...+50°C

#### EXPLANATION OF SYMBOLS ON TOOL

- ③ Read the instruction manual before use
- ④ Batteries may explode when disposed of in fire, so do not burn battery for any reason
- ⑤ Store tool/charger/battery in locations where temperature will not exceed 50°C
- ⑥ Do not dispose of electric tools and batteries together with household waste material

## USE

- Charging battery
  - ! read the safety warnings and instructions provided with the charger
- Removing/installing the battery ②
- Battery level indicator ⑦
  - press the battery level indicator button AB to show the current battery level ⑦a
  - ! when the lowest level of the battery indicator starts flashing after pressing button AB ⑦b, the battery is empty
  - ! when 2 levels of the battery indicator start flashing after pressing button AB ⑦c, the battery is not within the allowable operating temperature range
- Shadow line LED light ⑧
 

Your tool is equipped with an shadow line LED light located under the upper guard.

This provides additional illumination on the saw blade and the surface of the workpiece.

The LED light projects a shadow of the saw blade for guiding tool along desired line of cut marked on the workpiece

**! always test out first on a piece of scrap material**

The LED light will automatically turn on with a slight squeeze of the trigger switch. It will turn off approximately 10 seconds after the trigger switch is released.

**! the LED light will rapidly flash when the tool and/or battery pack becomes overloaded or too hot**

**and the internal sensors will turn the tool off. Rest the tool for a while or place the tool and battery pack separately under air flow for cooling.**

**! the LED light will flash more slowly to indicate that the battery pack charge level is low. Recharge the battery pack.**

The LED cleaning dial X built into the upper guard is designed to clean the LED light. When the LED light gets dim because of the sawdust accumulated on it, turn the dial LED cleaning dial X in any direction to remove the sawdust and make the LED light bright again

- Battery protection
 

The tool is suddenly being switched off or prevented from being switched on, when

  - **the load is too high** --> remove load and restart
  - **the battery temperature is not within the allowable operating temperature range of -20 to +50°C** --> 2 levels of the battery level indicator start flashing when pressing button AB ⑦c; wait until battery has returned within the allowable operating temperature range
  - **the battery is nearly empty (to protect against deep discharge)** --> a low battery level or flashing low battery level ⑦b is shown by the battery level indicator when pressing button AB; charge battery

**! do not continue to press the on/off switch after the tool is switched off automatically; battery may be damaged**
- Mounting saw blade AA ②

**! remove battery from tool**

- take hex key A from storage B
- push spindle-lock button C and hold it while you remove bolt D by turning hex key A **CLOCKWISE** (= in same direction as arrow printed on saw blade)

**! push spindle-lock button C only when tool is at a complete standstill**

- release spindle-lock button C
- remove flange E

**! make sure that clamping surfaces H of flanges are perfectly clean and face the blade**

- open lower guard F with lever G and hold it while you mount saw blade with saw teeth and arrow printed on saw blade pointing in same direction as arrow on lower guard

- release lower guard F
- mount flange E

- push spindle-lock button C and hold it while you tighten bolt D with hex key A 1/8 turn past finger tight (ensures slippage of saw blade when it encounters excessive resistance thus reducing motor overload and saw kickback)

- release spindle-lock button C

- Adjusting cutting depth (0-57 mm) ⑨

- loosen knob K
- raise/lower foot plate J until desired cutting depth is set on scale using cutting depth indicator L

- tighten knob K

- for an optimal quality cut, the saw blade should not extend more than one teeth below the workpiece

- Adjusting cutting angle (0-45°) ⑩

- loosen knob M

- tilt tool until desired cutting angle is set on scale using cutting angle indicator N

- tighten knob M

- ! **when bevel cutting, cutting depth does not correspond with value on cutting depth scale**
- Line-of-cut indicator P <sup>①</sup>
  - for guiding tool along desired line of cut marked on the workpiece
  - for a straight 0° cut or a 45° bevel cut use the indicator line concerned
- ! **the wide part of the foot should rest on the supported part of the workpiece**
- ! **cutting width is determined by width of blade teeth and not by width of blade body**
- ! **always make trial cuts first to verify actual line of cut**
- Dust suction <sup>⑫</sup>

Attach the vacuum cleaner adapter R to the dust extractor port Q with the Phillips head screw  
For using vacuum cleaner

  - connect vacuum cleaner hose to vacuum cleaner adapter R
- ! **never let the vacuum cleaner hose interfere with the lower guard F or the cutting operation**
- Dust bag
  - mount dust bag AC \*NOT STANDARD INCLUDED
- Operating the tool
  - mount battery
  - always hold rear handle S firmly with one hand and front handle T firmly with the other hand
  - place tool with front end of foot flat on workpiece
- ! **ensure that the saw teeth are not engaged into the workpiece**
- switch on tool by first pressing safety switch W and then pulling trigger switch V
- ! **the tool should run at full speed before the blade enters into the workpiece**
- lower guard F opens automatically when saw blade enters the workpiece (open lower guard manually by using lever G only for special cuts such as plunge cuts)
- ! **do not force the tool (apply light and continuous pressure in order to avoid overheating the blade tips)**
- after completing the cut switch off tool by releasing trigger switch V
- ! **ensure that the blade has come to a complete standstill before you lift the tool from the workpiece**

## APPLICATION ADVICE

- Always face the good side of the workpiece down to ensure minimum splintering
- Only use sharp saw blades of the correct type <sup>⑬</sup>
  - quality of cut improves by the number of teeth
  - carbide tipped blades stay sharp up to 30 times longer than ordinary blades
- Cross cuts/rip cuts <sup>⑭</sup>

Cross-cuts or rip cuts are easy to do with a parallel guide Y.

  - align the guideline with the 0° line-of-cut indicator P on the foot
  - insert a parallel guide Y through slots in either side of foot to desired width and secure with the knob Z
- ! **ensure rip fence does not interfere with the free movement of the lower guard and saw blade**
- Plunge cutting <sup>⑮</sup>

- set desired cutting depth
- tilt tool forward with line-of-cut indicator P lined up with desired line of cut marked on the workpiece
- open lower guard F with lever G
- just before blade enters workpiece, switch on tool and gradually lower back end of tool using front end of foot as hinge-point
- gradually move tool downward as well as forward
- as soon as blade enters the material, release lever G
- ! **never pull tool backwards**
- Cutting large panels <sup>⑯</sup>
  - support panel close to the cut either on floor, table or workbench
- ! **set cutting depth so that you cut through panel and not through support**
- in case parallel guide does not allow desired width of cut, clamp or nail straight piece of wood to workpiece as a guide, and use the right side of the foot against this guide <sup>⑰</sup>
- Cutting with a guide rail <sup>⑱</sup>

\*NOT STANDARD INCLUDED

The use of a guide rail offers precise, straight, accurate cuts, either at 45° or 90° bevel cuts.

Before making the first cut with the guide rail, the rubber lip must be adapted to the circular saw used.


  - for a straight 90° cut, line up the 90° bevel side of the rail AD (or the 45° bevel side when making a 45° bevel cut) with desired line of cut marked on the workpiece
  - secure the guide rail AD firmly on the workpiece using guide rail clamps AE <sup>⑲</sup> \*NOT STANDARD INCLUDED
  - slide the saw onto the guide rail AD, make sure that the saw can slide freely on the rail without swinging sideways.
  - when setting the cutting depth remember to allow for the thickness of the guide rail AD
  - guide the saw uniformly with a slow feed rate through the end of the guide rail AD
- For more information see [www.skil.com](http://www.skil.com)

## MAINTENANCE / SERVICE


- This machine is not intended for professional use
- Always keep tool clean
  - ! **remove battery from tool before cleaning**
- Always keep the area around lower guard F <sup>②</sup> clean (remove dust and chips by blowing out with compressed air or with a brush)
- Clean saw blade immediately after use (especially from resin and glue)
- If the tool should fail despite the care taken in manufacturing and testing procedures, repair should be carried out by an after-sales service centre for SKIL power tools
  - send the tool undismantled together with proof of purchase to your dealer or the nearest SKIL service station (addresses as well as the service diagram of the tool are listed on [www.skil.com](http://www.skil.com))
- Be aware that damage due to overload or improper handling of the tool will be excluded from the warranty (for the SKIL warranty conditions see [www.skil.com](http://www.skil.com) or ask your dealer)

## ENVIRONMENT

Only for EU countries

- **Do not dispose of electric tools, accessories and packaging together with household waste material**
  - in observance of European Directive 2012/19/EC on waste of electric and electronic equipment and its implementation in accordance with national law, electric tools that have reached the end of their life must be collected separately and returned to an environmentally compatible recycling facility
  - symbol  will remind you of this when the need for disposing occurs
- ! **prior to disposal protect battery terminals with heavy tape to prevent short-circuit**

Only for UK countries

- **Do not dispose of electric tools, accessories and packaging together with household waste material**
  - in observance of on Waste Electric and Electronic Equipment Regulations 2013 (SI 2013/3113), electric tools that have reached the end of their life must be collected separately and returned to an environmentally compatible recycling facility
  - symbol  will remind you of this when the need for disposing occurs
- ! **prior to disposal protect battery terminals with heavy tape to prevent short-circuit**

## NOISE / VIBRATION


- Measured in accordance with EN 62841 the sound pressure level of this tool is 94 dB(A) and the sound power level 102 dB(A) (uncertainty K = 3 dB), and the vibration <math>2.5 \text{ m/s}^2</math> (triax vector sum; uncertainty K = 1.5  $\text{m/s}^2$ )
- The vibration emission level has been measured in accordance with a standardised test given in EN 62841; it may be used to compare one tool with another and as a preliminary assessment of exposure to vibration when using the tool for the applications mentioned
  - using the tool for different applications, or with different or poorly maintained accessories, may significantly **increase** the exposure level
  - the times when the tool is switched off or when it is running but not actually doing the job, may significantly **reduce** the exposure level
- ! **protect yourself against the effects of vibration by maintaining the tool and its accessories, keeping your hands warm, and organizing your work patterns**

F

## Scie circulaire sans balais

3551

## INTRODUCTION

- Cet outil est destiné à la coupe longitudinale et transversale du bois pour réaliser des coupes droites et des coupes d'angle jusqu'à 45°
- Cet outil n'est pas conçu pour un usage professionnel
- Lire et conserver ce mode d'emploi 

## CARACTÉRISTIQUES TECHNIQUES

### ÉLÉMENTS DE LA MACHINE

- A Clé six pans
  - B Logement pour clé six pans
  - C Bouton de blocage de la broche
  - D Boulon
  - E Bride
  - F Carter de protection inférieur
  - G Levier d'ouverture du carter inférieur
  - H Surface de serrage
  - J Semelle
  - K Bouton pour régler la profondeur de coupe
  - L Indicateur de profondeur de coupe
  - M Bouton de réglage de l'angle de coupe
  - N Indicateur d'angle de coupe
  - P Indicateur de la ligne de coupe
  - Q Port d'aspiration des poussières
  - R Adaptateur pour aspirateur
  - S Poignée arrière
  - T Poignée avant
  - U Fente du rail de guidage
  - V Interrupteur marche/arrêt (gâchette)
  - W Interrupteur de sécurité
  - X Dispositif de nettoyage de la LED
  - Y Butée parallèle
  - Z Vis de réglage du guide parallèle
  - AA Lame
  - AB ATémoin de niveau de charge de la batterie
  - AC ASac à poussières\*
  - AD ARail de guidage\*
  - AE ABride de serrage du rail de guidage\*
- \* NON FOURNI EN STANDARD

## SÉCURITÉ

### CONSIGNES DE SÉCURITÉ GÉNÉRALES POUR LA MACHINE

 **AVERTISSEMENT Lisez tous les avertissements de sécurité, consignes, illustrations et spécifications fournis avec cet outil électrique.** Le non-respect des consignes figurant ci-dessous peut provoquer un choc électrique, un incendie et/ou des blessures graves.

**Conservez tous les avertissements et consignes pour pouvoir vous y référer ultérieurement.**

Le terme « outil électrique » utilisé dans les consignes de sécurité désigne votre outil électrique fonctionnant sur le secteur (filaire) ou sur batterie (sans fil).

#### 1) SÉCURITÉ DE L'AIRE DE TRAVAIL

- a) **Maintenez l'aire de travail propre et bien éclairée.**  
Les endroits sombres ou désordonnés augmentent les risques d'accident.
- b) **N'utilisez pas les outils électriques dans des atmosphères explosives, par exemple en présence de liquides, gaz ou poussières inflammables.** Les outils électriques génèrent des étincelles pouvant enflammer les poussières et les vapeurs.
- c) **Veillez à ce que les enfants et les autres personnes restent éloignés pendant l'utilisation d'un outil électrique.** Un moment d'inattention peut vous faire perdre le contrôle de l'outil.

#### 2) SÉCURITÉ ÉLECTRIQUE

- a) **La fiche de l'outil électrique doit correspondre à la prise électrique. Ne modifiez jamais la prise de quelque manière que ce soit.** N'utilisez jamais d'adaptateur de prise avec les outils électriques pourvus d'une mise à la terre ou à la masse. Les fiches non modifiées et les prises électriques appropriées réduisent le risque de choc électrique.
- b) **Évitez tout contact physique avec des surfaces mises à la terre ou mises à la masse, telles que tuyaux, radiateurs, fours et réfrigérateurs.** Il y a un risque accru de choc électrique si votre corps est relié à la terre ou à la masse, directement ou indirectement.
- c) **N'exposez pas les outils électriques à la pluie ou à un environnement mouillé.** Si de l'eau pénètre dans un outil électrique, cela accroît le risque de choc électrique.
- d) **Prenez soin du câble d'alimentation. N'utilisez jamais le câble d'alimentation pour porter, tirer ou débrancher l'outil électrique.** Veillez à ce que le câble d'alimentation n'entre jamais en contact avec de l'huile, des pièces mobiles, des arêtes tranchantes, et ne soit jamais exposé à de la chaleur. Les câbles d'alimentation endommagés ou emmêlés augmentent le risque de choc électrique.
- e) **Quand vous utilisez un outil électrique en extérieur, utilisez une rallonge électrique adaptée à un usage en extérieur.** L'utilisation d'une rallonge conçue pour un usage en extérieur permet de réduire le risque de choc électrique.
- f) **Si vous êtes obligé d'utiliser un outil électrique dans un endroit humide, utilisez une alimentation protégée par un dispositif différentiel à courant résiduel (DDR).** L'utilisation d'un DDR réduit le risque de choc électrique.
- 3) SÉCURITÉ DES PERSONNES**
- a) **Restez vigilant, soyez attentif à ce que vous faites et faites preuve de bon sens lors de l'utilisation d'un outil électrique. N'utilisez pas un outil électrique quand vous êtes fatigué ou sous l'emprise de l'alcool, de stupéfiants ou de médicaments.** Un moment d'inattention pendant l'utilisation des outils électriques peut provoquer des blessures corporelles graves.
- b) **Utilisez des équipements de protection individuelle.** Portez toujours une protection oculaire. L'utilisation d'équipements de protection appropriés aux conditions de travail, tels qu'un masque anti-poussières, des chaussures de sécurité antidérapantes, un casque et des protections auditives, permet de réduire les risques de blessures corporelles.
- c) **Évitez les démarrages accidentels. Vérifiez que l'interrupteur marche/arrêt est dans la position arrêt avant de brancher l'outil dans une prise électrique et/ou une batterie, de le saisir ou de le transporter.** Transporter un outil électrique les doigts sur son interrupteur marche/arrêt ou le brancher dans une alimentation électrique alors que son interrupteur marche/arrêt est dans la position marche favorise les accidents.
- d) **Retirez toutes les clés de réglage et de serrage avant de mettre l'outil électrique en marche.** Une clé de réglage ou de serrage laissée sur une pièce rotative de l'outil électrique peut provoquer des blessures corporelles.
- e) **N'essayez pas de travailler des endroits difficiles à atteindre. Conservez en permanence des appuis des pieds solides et un bon équilibre.** Cela permet un meilleur contrôle de l'outil électrique en cas de situations inattendues.
- f) **Portez une tenue adaptée. Ne portez pas de vêtements amples ni de bijoux. Maintenez vos cheveux et vos vêtements éloignés des pièces mobiles.** Les vêtements amples, les bijoux et les cheveux longs peuvent se prendre dans les pièces mobiles.
- g) **Si un outil est conçu pour être utilisé avec des dispositifs d'extraction et de récupération des poussières, veillez à ce que ces dispositifs soient raccordés et correctement utilisés.** L'utilisation de dispositifs de récupération des poussières permet de réduire les risques liés aux poussières.
- h) **Veillez à ne pas devenir trop sûr de vous et ne cessez pas de respecter les principes de sécurité même si vous vous sentez familiarisé à l'utilisation de l'outil.** La négligence peut provoquer des blessures graves en une fraction de seconde.
- 4) UTILISATION ET ENTRETIEN DE L'OUTIL ÉLECTRIQUE**
- a) **Ne forcez pas l'outil électrique. Utilisez l'outil électrique qui convient au travail que vous voulez effectuer.** L'utilisation d'un outil qui convient au travail à effectuer permet de réaliser ce travail plus efficacement, avec une sécurité accrue et au rythme pour lequel l'outil a été conçu.
- b) **N'utilisez pas l'outil électrique si son interrupteur marche/arrêt ne permet pas de l'allumer et de l'éteindre.** Tout outil électrique qui ne peut pas être contrôlé par son interrupteur marche/arrêt est dangereux et doit être réparé.
- c) **Débranchez le câble de l'alimentation électrique et/ou retirez la batterie, si amovible, de l'outil électrique avant tout réglage ou changement d'accessoire, et avant de ranger l'outil électrique.** Cette mesure de sécurité préventive réduit le risque de démarrage accidentel de l'outil électrique.
- d) **Rangez les outils électriques non utilisés hors de portée des enfants.** N'autorisez pas les personnes non familiarisées avec l'outil électrique ou ce manuel d'utilisation à l'utiliser. Les outils électriques sont dangereux dans les mains de personnes inexpérimentées.
- e) **Entretenez les outils électriques et les accessoires. Inspectez-les pour vérifier qu'aucune pièce mobile n'est grippée ou mal alignée, qu'aucune pièce n'est cassée, et pour tout autre problème qui pourrait affecter leur fonctionnement.** Si un outil électrique est endommagé, il doit être réparé avant d'être réutilisé. Beaucoup d'accidents sont dus à des outils électriques mal entretenus.
- f) **Veillez à ce que les accessoires de coupe restent affûtés et propres.** Des accessoires de coupe bien entretenus et bien affûtés risquent moins de se coincer et sont plus faciles à contrôler.
- g) **Utilisez l'outil électrique, ses accessoires, mèches/embouts et toutes les autres pièces conformément aux présentes instructions, en prenant en compte les conditions d'utilisation et le travail à effectuer.**



Utiliser l'outil électrique à d'autres finalités que celles pour lesquelles il a été conçu peut engendrer des situations dangereuses.

- h) **Maintenez les poignées et surfaces de préhension propres, sèches et exemptes d'huile et de graisse.** Les poignées et surfaces de préhension glissantes ne permettent pas de tenir et de contrôler l'outil de manière sûre en cas de situations inattendues.
- 5) **UTILISATION ET ENTRETIEN DE L'OUTIL SUR BATTERIE**
- a) **Rechargez la batterie exclusivement avec le chargeur spécifié par le fabricant.** Un chargeur adapté à un type de batterie en particulier peut présenter un risque d'incendie s'il est utilisé avec une batterie différente.
- b) **Utilisez les outils électriques exclusivement avec les batteries spécifiées.** L'utilisation de toute autre batterie peut créer un risque de blessures et d'incendie.
- c) **Lorsque la batterie n'est pas utilisée, elle doit être rangée à l'écart de tout objet métallique, tel que les trombones, pièces de monnaie, clés, clous, vis et tous les autres petits objets métalliques pouvant mettre en contact ses bornes.** Mettre en court-circuit les bornes de la batterie peut provoquer des brûlures et un incendie.
- d) **Si la batterie est soumise à des conditions d'utilisation excessives, du liquide peut s'en échapper. Évitez tout contact avec ce liquide. En cas de contact accidentel, rincez à grande eau.** En cas de contact avec les yeux, vous devez en outre consulter un médecin. Le liquide qui s'échappe de la batterie peut provoquer des irritations et des brûlures.
- e) **N'utilisez pas une batterie ou un outil endommagé ou modifié.** Les batteries modifiées ou endommagées peuvent avoir un comportement imprévisible provoquant un incendie, une explosion ou un risque de blessure.
- f) **N'exposez pas la batterie ou l'outil à des flammes ou à une température excessive.** L'exposition au feu ou à des températures supérieures à 130 °C peut provoquer une explosion.
- g) **Respectez toutes les instructions de recharge et ne rechargez pas la batterie ou l'outil hors de la plage de température spécifiée dans les instructions.** La recharge incorrecte ou à des températures hors de la plage spécifiée peut endommager la batterie et accroître le risque d'incendie.
- 6) **RÉPARATION**
- a) **Faites réparer votre outil électrique par un réparateur qualifié qui ne doit utiliser que des pièces de rechange identiques.** Ceci permet de garantir la sûreté de l'outil électrique.
- b) **Ne réparez jamais les batteries endommagées. La réparation des batteries doit toujours être effectuée par le fabricant ou des réparateurs agréés.**

#### CONSIGNES DE SÉCURITÉ POUR LES SCIES CIRCULAIRES SANS BALAIS

#### CONSIGNES DE SÉCURITÉ POUR TOUTES LES SCIES

- a) **⚠ DANGER : Maintenez les mains éloignées de la zone de coupe et de la lame. Votre deuxième main doit rester sur la poignée auxiliaire ou sur le boîtier**

**moteur.** Si vos deux mains tiennent la scie, elles ne peuvent pas être coupées par la lame.

- b) **Ne placez jamais aucune partie de votre corps sous la pièce à scier.** Le carter de protection ne peut pas vous protéger de la lame sous la pièce travaillée.
- c) **Réglez la profondeur de coupe en fonction de l'épaisseur de la pièce à scier.** La hauteur de lame visible sous la pièce à scier doit être inférieure à une dent.
- d) **Ne tenez jamais la pièce dans vos mains ou en travers de votre jambe pendant la coupe.** Fixez-la sur une plateforme stable. Il est important de correctement soutenir la pièce à scier pour minimiser l'exposition du corps de l'opérateur et les risques de pincement de la lame et de perte de contrôle.
- e) **Tenez l'outil électrique par les surfaces de préhension isolées lorsque vous effectuez une opération où l'outil de coupe peut entrer en contact avec des fils dissimulés.** Si les lames entrent en contact avec un fil électrique sous tension, les parties métalliques non carénées de l'outil électrique peuvent se retrouver sous tension électrique et l'opérateur risque de subir un choc électrique.
- f) **Pour les sciages en long, utilisez toujours un guide de refente ou un rail de guidage.** Cela permet d'accroître la précision des coupes et de réduire le risque de pincement de la lame.
- g) **Utilisez toujours des lames dont la taille et la forme de l'alsage (diamant ou rond) sont appropriées.** Des lames qui ne sont pas adaptées au support de fixation de la scie s'écarteront et provoqueront la perte de contrôle de l'outil.
- h) **N'utilisez jamais de boulons ni de rondelles de lame endommagés ou inappropriés.** Les brides et le boulon de lame sont conçus spécifiquement pour votre scie afin d'assurer des performances optimales et la sécurité d'utilisation.

#### CONSIGNES DE SÉCURITÉ SUPPLÉMENTAIRES POUR TOUTES LES SCIES

#### CAUSES DES REBONDS ET MISES EN GARDE ASSOCIEES

- Un rebond est une réaction soudaine provoquée par une lame mal alignée, pincée ou coincée qui projette la scie de manière incontrôlée vers le haut, hors de la pièce usinée et vers l'opérateur ;
- Quand la lame est pincée ou coincée fortement parce que la ligne de coupe se referme, elle se bloque et la réaction du moteur projette violemment l'outil en arrière vers l'opérateur ;
- Si la lame est courbée ou mal alignée dans la coupe, les dents arrière de la lame peuvent se planter dans la surface supérieure du bois, ce qui projette la lame vers le haut, hors de la ligne de coupe et en arrière vers l'opérateur.

Les rebonds résultent d'une mauvaise utilisation de la scie et/ou de procédures d'utilisation incorrectes et/ou de conditions d'utilisation inadéquates. Il est possible de les éviter en prenant les précautions appropriées indiquées ci-après.

- a) **Tenez fermement la scie à deux mains et positionnez vos bras de façon à pouvoir résister**

aux forces d'un rebond. Positionnez votre corps décalé sur l'un des côtés de la lame et non dans l'alignement de celle-ci. Un rebond peut projeter violemment la scie en arrière, mais les forces d'un rebond peuvent être contrôlées par l'opérateur si les précautions appropriées ont été prises.

- b) **Si la lame se coince ou si vous arrêtez une coupe pour quelque raison que ce soit, relâchez l'interrupteur marche/arrêt et maintenez la scie immobile dans le matériau jusqu'à ce que la lame se soit complètement arrêtée. N'essayez jamais de retirer la scie de la pièce usinée ou de la tirer en arrière quand la lame est en rotation ou qu'un rebond peut se produire.** Cherchez la cause du blocage de la lame et prenez des mesures correctrices pour en éliminer la cause.
- c) **Quand vous redémarrez la scie dans la pièce usinée, centrez la lame de la scie dans la ligne de coupe de façon à ce que ses dents ne soient pas engagées dans le matériau.** Si la lame est coincée, elle peut se déplacer vers le haut ou rebondir hors de la pièce usinée quand vous redémarrez la scie.
- d) **Les grands panneaux doivent être soutenus pour minimiser le risque de pincement de la lame et de rebond.** Les grands panneaux ont tendance à s'affaisser sous leur propre poids. Il faut donc placer des supports sous ces panneaux près de leurs bords et de chaque côté de la ligne de coupe, près d'elle.
- e) **N'utilisez pas de lame émoussée ou endommagée.** Les lames émoussées ou incorrectement assemblées produisent une ligne de coupe étroite, ce qui provoque des frictions excessives et favorise le pincement de la lame et les rebonds.
- f) **Avant de commencer une coupe, veillez à bien serrer les leviers de verrouillage des réglages de la profondeur de coupe et du biseau.** Si le réglage de la lame change pendant la coupe, elle risque de se coincer et de provoquer un rebond.
- g) **Redoublez de prudence lors du sciage dans des murs existants ou d'autres zones aveugles.** La partie saillante de la lame peut couper des objets pouvant provoquer des rebonds.

#### FONCTIONNEMENT DU CARTER INFÉRIEUR

- a) **Avant chaque utilisation, vérifiez que le carter de protection inférieur se ferme correctement. N'utilisez pas la scie si le carter de protection inférieur ne peut pas bouger librement et se refermer instantanément. Ne fixez jamais et n'attachez jamais le carter de protection inférieur en position ouverte.** Si la scie tombe accidentellement, le carter de protection inférieur peut être déformé. Relevez le carter de protection inférieur à l'aide de sa poignée de rétractation, vérifiez qu'il peut bouger librement et qu'il ne touche ni la lame ni aucune autre pièce, cela dans tous les angles et à toutes les profondeurs de coupe.
- b) **Contrôlez le fonctionnement du ressort du carter de protection inférieur. Si le ressort et le carter de protection ne fonctionnent pas normalement, vous devez les faire réparer avant d'utiliser la scie.** Le fonctionnement du carter de protection inférieur peut être altéré par des pièces endommagées, des dépôts collants ou l'accumulation de débris.
- c) **Le carter de protection inférieur ne peut être**

**relevé manuellement que pour certaines coupes spéciales, telles que les « coupes plongeantes » et les « coupes composées ».** Relevez le carter de protection inférieur en rétractant son levier et relâchez-le impérativement dès que la lame pénètre dans le matériau. Pour toutes les autres coupes, vous devez laisser le carter de protection inférieur fonctionner automatiquement.

- d) **Vérifiez toujours que le carter de protection inférieur recouvre la lame avant de poser la scie sur un établi ou sur le sol.** Une lame non protégée entraînée par son inertie provoquera le recul de la scie, qui coupera tout ce qui se trouvera sur son passage. Soyez conscient qu'après avoir relâché l'interrupteur marche/arrêt, il faut un certain temps avant que la lame s'arrête complètement.

#### GÉNÉRALITÉS

- Cet outil ne doit pas être utilisé par des personnes de moins de 16 ans.
- Cet outil ne convient pas à la coupe humide.
- **Ne travaillez pas avec des matériaux contenant de l'amiante** (l'amiante est considéré comme cancérigène).
- La poussière de matériaux, tels que la peinture contenant du plomb, certaines sortes de bois, certains minéraux et différents métaux, peut être nocive (le contact avec la poussière ou son inhalation peut provoquer des réactions allergiques et/ou des maladies respiratoires chez l'opérateur ou des personnes se trouvant à proximité); **portez un masque anti-poussières et travaillez avec un dispositif d'extraction des poussières lorsqu'il est possible d'en raccorder un.**
- Certains types de poussières sont classifiés comme étant cancérigènes (tels que la poussière de chêne ou de hêtre), en particulier en combinaison avec des additifs de traitement du bois; **portez un masque anti-poussières et travaillez avec un dispositif d'extraction des poussières lorsqu'il est possible d'en raccorder un.**
- Respectez les exigences nationales relatives à la poussière pour les matériaux que vous souhaitez utiliser.
- N'utilisez pas cette scie en combinaison avec une table de scie.
- Retirez la batterie de l'outil avant d'effectuer des réglages ou de changer d'accessoires.

#### ACCESSOIRES

- SKIL ne peut se porter garant du bon fonctionnement de cet outil que s'il est utilisé avec les accessoires d'origine.
- N'utilisez que des accessoires dont la vitesse admissible est au moins aussi élevée que la vitesse à vide maximale de l'outil.
- N'utilisez que des lames de scie qui correspondent aux caractéristiques techniques indiquées dans le présent mode d'emploi et qui ont été testées et marquées conformément à la norme EN 847-1.
- Utilisez uniquement des lames de scie d'un diamètre de 165 mm et avec un trou de broche de 16 mm de diamètre.
- N'utilisez jamais de disques de meulage/à tronçonner avec cet outil.

#### AVANT UTILISATION

- Faites attention aux vis, clous ou autres éléments qui pourraient se trouver dans la pièce à usiner et qui risqueraient d'endommager votre outil; enlevez-les avant de commencer le travail.
- Enlevez tous les obstacles au-dessus et en dessous du chemin de coupe avant de commencer à couper.

- **Fixez solidement la pièce** (une pièce fixée à l'aide de dispositifs de fixation ou d'un étai est mieux maintenue qu'à la main).
- **Utilisez des détecteurs appropriés afin de localiser les conduites dissimulées ou bien adressez-vous à votre fournisseur local** (un contact avec des lignes électriques peut provoquer un incendie ou une décharge électrique ; endommager une conduite de gaz peut entraîner une explosion ; endommager une conduite d'eau peut entraîner des dégâts matériels ou une décharge électrique).

#### PENDANT L'UTILISATION

- Le niveau de bruit pendant le travail peut dépasser 85 dB(A) ; portez une protection auditive.
- N'utilisez jamais l'outil sans le système de protection d'origine.
- N'essayez pas de couper des pièces de très petite taille.
- Ne travaillez pas au-dessus de votre tête avec l'outil.
- En cas de blocage, de dysfonctionnement électrique ou mécanique, éteignez immédiatement l'outil et retirez-en la batterie.

#### APRÈS L'UTILISATION

- Avant de ranger l'outil, coupez le moteur et attendez que toutes les pièces mobiles se soient complètement arrêtées.
- Après avoir éteint la scie circulaire, n'arrêtez jamais la rotation de la lame en exerçant une force latérale contre.

#### BATTERIES

- **La batterie fournie, le cas échéant, est partiellement chargée** (pour garantir la capacité totale de la batterie, chargez-la intégralement dans le chargeur de batterie avant d'utiliser l'outil électrique pour la première fois).
- **Utilisez uniquement les batteries et les chargeurs suivants avec cet outil**
  - Batterie SKIL : BR1\*31\*\*\*\*
  - Chargeur SKIL : CR1\*31\*\*\*\*
- N'utilisez pas la batterie si celle-ci est endommagée ; remplacez-la immédiatement.
- Ne démontez pas la batterie.
- N'exposez jamais l'outil/la batterie à la pluie.
- Température ambiante autorisée (outil/chargeur/batterie):
  - lors de la recharge 4...40 °C
  - pendant le fonctionnement -20...+50 °C
  - pour le stockage -20...+50 °C

#### EXPLICATION DES SYMBOLES SUR L'OUTIL

- ③ Veuillez lire le manuel d'utilisation avant utilisation
- ④ Les batteries peuvent exploser lorsqu'elles sont jetées au feu, ne jetez jamais la batterie au feu pour quelque raison que ce soit
- ⑤ Rangez l'outil/le chargeur/la batterie dans des endroits où la température n'excède pas 50°C
- ⑥ Ne jetez pas les outils électriques et les piles dans les ordures ménagères

#### UTILISATION

- Recharge de la batterie
  - ! lisez les avertissements de sécurité et les consignes fournies avec le chargeur
- Retirer/installer la batterie ②
- Témoin de niveau de charge de la batterie ⑦
  - appuyez sur le bouton indicateur de niveau de charge de la batterie AB pour afficher le niveau de charge actuel ⑦a
  - ! si le niveau le plus bas de l'indicateur de batterie

se met à clignoter après appui sur le bouton AB ⑦b, la batterie est épuisée

! si 2 niveaux de l'indicateur de batterie se mettent à clignoter après appui sur le bouton AB ⑦c, la batterie n'est pas dans la plage de température de fonctionnement autorisée

- Lampe LED de ligne d'ombre ⑧
  - Votre outil est équipé d'une lampe LED de ligne d'ombre située sous la protection supérieure. Elle fournit un éclairage supplémentaire sur la lame et la surface de la pièce.
  - La lampe LED projette l'ombre de la lame de scie pour guider l'outil le long de la ligne de coupe tracée sur la pièce.
  - ! faites toujours un essai sur une pièce de rebut
  - La lampe LED s'allume automatiquement lorsque l'interrupteur-gâchette est légèrement enfoncé. Elle s'éteint environ 10 secondes après que l'interrupteur est relâché.

! Le voyant LED se met à clignoter rapidement en cas de surcharge ou de surchauffe de l'outil et/ou de la batterie et les capteurs internes forcent alors l'arrêt de l'outil. Laissez l'outil reposer pendant un certain temps ou placez l'outil et la batterie séparément à l'air pour qu'ils refroidissent.

! la LED clignote lentement pour indiquer que la batterie est bientôt épuisée. Rechargez la batterie.

Le dispositif de nettoyage de LED X intégré dans la protection supérieure est conçu pour nettoyer la lampe LED. Lorsque la lampe LED s'assombrit à cause de la sciure accumulée dessus, tournez le dispositif de nettoyage X dans n'importe quel sens pour enlever la sciure et restaurer l'état initial de la lampe LED.

- Protection de la batterie
  - L'outil s'éteint soudainement ou ne peut pas être mis en marche lorsque
    - la charge est trop élevée --> réduisez la pression et redémarrez l'outil
    - la température de la batterie est hors de la plage de températures de fonctionnement autorisée de -20 à +50°C --> 2 niveaux de l'indicateur de niveau de charge de la batterie se mettent à clignoter lorsque vous appuyez sur le bouton AB ⑦c ; attendez que la batterie soit revenue dans la plage de température de fonctionnement autorisée
    - la batterie est prise déchargée (pour empêcher qu'elle ne se décharge complètement) --> un niveau de batterie faible ou un niveau de batterie clignotant ⑦b apparaît sur l'indicateur de charge de la batterie lorsque vous appuyez sur le bouton AB ; chargez la batterie
  - ! ne continuez pas à appuyer sur l'interrupteur marche/arrêt après l'arrêt automatique de l'outil ; cela pourrait endommager la batterie
- Montage de la lame de scie AA ②
  - ! retirez la batterie de l'outil
    - retirez la clé six pans A de son logement B
    - appuyez sur le bouton de blocage de l'arbre C et maintenez-le tandis que vous enlevez le boulon D en faisant tourner la clé six pans A **DANS LE SENS DES AIGUILLES D'UNE MONTRE** (= dans le même sens que la flèche indiquée sur la lame de scie)
    - ! appuyez sur le bouton de blocage de l'arbre C uniquement lorsque l'outil est complètement à

## **l'arrêt**

- relâchez le bouton de blocage de l'arbre C
- enlevez la bride E
- ! **assurez-vous que les surfaces de serrage H des brides soient parfaitement propres et en face de la lame**
- ouvrez le carter inférieur F avec le levier G et maintenez-le tandis que vous montez la lame avec les dents de scie et la flèche figurant sur la lame pointées dans la même direction que la flèche située sur le carter inférieur
- relâchez le carter inférieur F
- montez la bride E
- appuyez sur le bouton de blocage de l'arbre C et maintenez-le tandis que vous serrez le boulon D avec la clé six pans A d'un 1/8ème de tour (permettant le débrayage de la lame en cas de trop forte résistance du matériau pour réduire la surcharge du moteur et l'effet de recul)
- relâchez le bouton de blocage de l'arbre C
- Réglage de la profondeur de coupe (0-57 mm) ⑨
  - desserrez le bouton K
  - relevez/abaissez la semelle J jusqu'à ce que la profondeur de coupe souhaitée soit indiquée sur l'échelle via l'indicateur de profondeur de coupe L
  - serrez le bouton K
  - pour une coupe de qualité optimale, la lame de scie ne doit pas dépasser de plus d'une dent en dessous de la pièce
- Réglage de l'angle de coupe (0-45°) ⑩
  - desserrez le bouton M
  - inclinez l'outil jusqu'à ce que l'angle de coupe souhaité soit atteint grâce à l'indicateur N de l'échelle graduée
  - serrez le bouton M
- ! **lors de coupe d'angle, la profondeur de coupe ne correspond pas à la valeur donnée par l'échelle de la profondeur de coupe**
- Indicateur de ligne de coupe P ⑪
  - sert à guider l'outil le long de la ligne de coupe souhaitée marquée sur la pièce
  - pour une coupe droite à 0° ou une coupe en biseau à 45°, utilisez la ligne correspondante
- ! **la partie la plus large de la semelle doit rester sur la partie la plus large de la pièce**
- ! **seule l'épaisseur des dents de la lame détermine la largeur de coupe**
- ! **effectuez toujours un essai préalable afin de vérifier la ligne de coupe**
- Aspiration de poussières ⑫
  - Fixez l'adaptateur d'aspirateur R au port d'aspiration des poussières Q avec la vis à tête cruciforme
  - Pour utiliser un aspirateur
    - raccordez le tuyau de l'aspirateur à l'adaptateur de l'aspirateur R
  - ! **ne laissez jamais le tuyau de l'aspirateur gêner le carter inférieur F ou l'opération de coupe**
  - Sac à poussières
    - montez le sac à poussières AC \*NON FOURNI PAR DÉFAUT
- Utilisation de l'outil
  - montez la batterie
  - tenez toujours la poignée arrière S fermement d'une main et la poignée avant T fermement de l'autre main

- placez l'outil avec l'extrémité avant de la semelle à plat sur la pièce
- ! **assurez-vous que les dents de la lame n'entrent pas dans la pièce à travailler**
- mettez en marche l'outil en appuyant d'abord sur l'interrupteur de sécurité W puis en appuyant sur la gâchette V
- ! **l'outil devra tourner à la vitesse maximum avant que la lame n'entre dans la pièce à travailler**
- le carter inférieur F s'ouvre automatiquement quand la lame pénètre dans la pièce (ouvrez le carter inférieur manuellement en utilisant le levier G uniquement pour des coupes spéciales telles que des coupes plongées)
- ! **ne forcez pas l'outil (effectuez une pression légère et constante afin d'éviter la surchauffe des bouts de lame)**
- une fois la coupe terminée, arrêtez l'outil en relâchant la gâchette V
- ! **avant de retirer l'outil de la pièce à travailler, attendez l'arrêt complet de la lame.**

## **CONSEILS D'APPLICATION**

- Orientez toujours le bon côté de la pièce à usiner vers le bas pour éviter le risque d'éclatement.
- Utilisez uniquement des lames de scie affûtées du bon type ⑬
  - la qualité de la coupe s'améliore par le nombre de dents
  - les lames avec denture à mise de carbure coupent 30 fois plus longtemps que des lames ordinaires
- Coupes transversales/coupes longitudinales ⑭
  - Les coupes transversales ou longitudinales sont faciles à réaliser avec une butée parallèle Y.
  - alignez la ligne de guidage avec l'indicateur de ligne de coupe 0° P sur le pied
  - insérez un guide parallèle Y dans les fentes de chaque côté du pied à la largeur désirée et fixez-le avec le bouton Z
- ! **assurez-vous que le guide parallèle n'entrave pas la liberté de mouvement du carter de protection inférieur et de la lame de scie**
- Coupe plongeante ⑮
  - réglez la profondeur de coupe souhaitée
  - inclinez l'outil vers l'avant avec l'indicateur de ligne de coupe P aligné avec la ligne de coupe souhaitée marquée sur la pièce
  - ouvrez le carter inférieur F avec le levier G
  - juste avant que la lame ne pénètre dans la pièce, mettez l'outil en marche et abaissez progressivement l'extrémité arrière de l'outil en utilisant l'extrémité avant de la semelle comme point d'articulation
  - déplacez progressivement l'outil vers le bas et vers l'avant
  - dès que la lame pénètre dans le matériau, relâchez le levier G
  - ! **ne jamais tirez l'outil vers l'arrière**
- Coupe de larges panneaux ⑯
  - le panneau de support doit être près de la coupe soit sur le sol, une table ou un établi
- ! **réglez la profondeur de coupe pour éviter de couper le support de travail**
- dans le cas où le guide parallèle ne permet pas de

réglér la largeur de coupe, fixez ou clouez un morceau de bois droit qui servira de guide et appliquez le côté droit de la semelle contre ce guide (17)

- Coupe avec un rail de guidage (19)  
\* NON FOURNI EN STANDARD

L'utilisation d'un rail de guidage permet des coupes précises, droites et exactes, avec des biseaux de 45° ou 90°.

Avant d'effectuer la première coupe avec le rail de guidage, la lèvre en caoutchouc doit être adaptée à la scie circulaire utilisée.

- pour une coupe droite à 90°, alignez le côté biseauté à 90° du rail AD (ou le côté biseauté à 45° lors d'une coupe en biseau à 45°) avec la ligne de coupe souhaitée marquée sur la pièce.
- fixez solidement le rail de guidage AD sur la pièce à usiner à l'aide des pinces pour rail de guidage AE (18)  
\*NON FOURNI PAR DÉFAUT
- passez la scie sur le rail de guidage AD, veillez à ce que la scie glisse facilement sur le rail sans faire d'écarts sur le côté.
- lors du réglage de la profondeur de coupe, n'oubliez pas de tenir compte de l'épaisseur du rail de guidage AD
- passez la scie uniformément avec une vitesse d'avance lente jusqu'à l'extrémité du rail de guidage AD.
- Pour plus d'informations, rendez-vous sur [www.skil.com](http://www.skil.com)

## ENTRETIEN / RÉPARATION

- Cette machine n'est pas conçue pour un usage professionnel.
- Gardez toujours l'outil propre.  
**! Retirez la batterie de l'outil avant de le nettoyer**
- Gardez toujours la zone autour du carter inférieur F(2) propre (enlevez la poussière et les copeaux en les nettoyant à l'air comprimé ou avec une brosse).
- Nettoyez la lame de scie immédiatement après utilisation (en particulier la résine et la colle).
- Si l'outil devait tomber en panne malgré le soin apporté aux procédures de fabrication et d'essai, la réparation doit être effectuée par le service après-vente pour outils électriques SKIL.  
- retournez l'outil non démonté avec votre preuve d'achat auprès du revendeur ou du service après-vente SKIL le plus proche (les adresses ainsi que la vue éclatée de l'outil figurent sur [www.skil.com](http://www.skil.com))
- Veuillez noter que tout dégât causé par une surcharge ou une mauvaise utilisation de l'outil ne sera pas couvert par la garantie (pour connaître les conditions de garantie SKIL, rendez-vous sur le site [www.skil.com](http://www.skil.com) ou adressez-vous à votre revendeur).

## ENVIRONNEMENT

Uniquement pour les pays de l'UE

- **Ne jetez pas les outils électriques, les accessoires et l'emballage dans les ordures ménagères**  
- conformément à la directive européenne 2012/19/  
CE relative aux déchets d'équipements électriques et électroniques, et à sa transposition dans la législation nationale, les outils électriques usagés doivent être collectés séparément et faire l'objet d'un recyclage respectueux de l'environnement  
- le symbole (6) vous le rappellera au moment de la mise

au rebut de l'outil

**! avant la mise au rebut, pour éviter un éventuel court-circuit, il convient de couvrir les bornes des batteries d'un épais ruban adhésif**



Points de collecte sur [www.quefairede mesdechets.fr](http://www.quefairede mesdechets.fr)  
Privilégiez la réparation ou le don de votre appareil !

## BRUIT / VIBRATION

- Mesurés selon EN 62841, le niveau de pression sonore de cet outil est de 94 dB(A), le niveau de puissance acoustique est de 102 dB(A) (incertitude K = 3 dB) et la vibration <math><2.5 \text{ m/s}^2</math> (somme vectorielle triax ; incertitude K = 1,5 m/s<sup>2</sup>)
- Le niveau de vibrations émises a été mesuré conformément à l'essai standardisé de la norme EN 62841 ; il peut être utilisé pour comparer plusieurs outils et pour réaliser une évaluation préliminaire de l'exposition aux vibrations lors de l'utilisation de l'outil pour les applications mentionnées  
- l'utilisation de l'outil dans d'autres applications, ou avec des accessoires différents ou mal entretenus, peut considérablement **augmenter** le niveau d'exposition.  
- la mise hors tension de l'outil et sa non-utilisation pendant qu'il est allumé peuvent considérablement **réduire** le niveau d'exposition.  
**! protégez-vous contre les effets des vibrations par un entretien correct de l'outil et de ses accessoires, en gardant vos mains chaudes et en organisant vos horaires de travail**

D

## Bürstenlose Kreissäge

3551

## EINLEITUNG

- Dieses Werkzeug ist zum Sägen von Längs- und Querschnitten in Holz mit geradem Schnittverlauf und Gehrungswinkel bis 45° bestimmt.
- Dieses Werkzeug eignet sich nicht für den professionellen Einsatz.
- Lesen und bewahren Sie diese Bedienungsanleitung sorgfältig auf (3).

## TECHNISCHE DATEN (1)

## MACHINENELEMENTE (2)

- A Sechskantschlüssel
- B Halterung für Sechskantschlüssel
- C Spindelarretierschalter
- D Schraube
- E Flansch
- F Unterer Sägeblattschutz
- G Hebel zur Öffnung des unteren Blattschutzes
- H Spannfläche
- J Fußplatte
- K Schneidtiefen-Einstellknopf

- L Schnitttiefenanzeige
  - M Knopf zur Einstellung des Schnittwinkels
  - N Schnittwinkelanzeige
  - P Schnitfführungsanzeige
  - Q Stutzen für Staubabsaugung
  - R Staubsaugeranschluss
  - S Hinterer Griff
  - T Vorderer Griff
  - U Führungsschienenschlitz
  - V Auslöseschalter
  - W Sicherheitsschalter
  - X LED-Reinigungsrad
  - Y Parallelanschlag
  - Z Knäuf zum Einstellen des Parallelanschlags
  - AA Sägeblatt
  - AB ALadestandsanzeige
  - AC AStaubbeutel\*
  - AD ALinearanschlag\*
  - AE ASchraubzwinde für Linearanschlag
- \* STANDARDMÄSSIG NICHT MITGELIEFERT

## SICHERHEIT

### ALLGEMEINE SICHERHEITSHINWEISE FÜR MASCHINEN

**⚠️ WARNUNG** Beachten Sie alle Warnhinweise, Anweisungen, Abbildungen und technischen Daten, die diesem Elektrowerkzeug beigefügt sind. Die Nichtbeachtung der unten aufgeführten Anweisungen kann zu Stromschlägen, Bränden und/oder schweren Verletzungen führen.

**Bewahren Sie alle Warn- und Bedienhinweise für Nachschlagezwecke auf.**

Unter den Begriff „Elektrowerkzeug“ in den Warnhinweisen fallen netzbetriebene (d. h. kabelgebundene) oder akkubetriebene (d.h. kabellose) Elektrowerkzeuge.

#### 1) SICHERHEIT IM ARBEITSBEREICH

- a) **Halten Sie den Arbeitsbereich stets sauber und gut beleuchtet.** Unaufgeräumte oder dunkle Bereiche können Unfälle provozieren.
- b) **Verwenden Sie Elektrowerkzeuge nicht in explosionsgefährdeten Umgebungen wie z. B. in Gegenwart von entzündlichen Flüssigkeiten, Gasen oder Staub.** Elektrowerkzeuge erzeugen Funken, die Staub oder Dämpfe entzünden können.
- c) **Halten Sie Schaulustige und Kinder fern, während Sie das Elektrowerkzeug einsetzen.** Ablenkungen können dazu führen, dass Sie die Kontrolle verlieren.

#### 2) ELEKTRISCHE SICHERHEIT

- a) **Die Netzstecker von Elektrowerkzeugen müssen zur Steckdose passen. Der Netzstecker darf unter keinen Umständen modifiziert werden.**  
Verwenden Sie keine Adapterstecker an geerdeten Elektrowerkzeugen. Nicht modifizierte Stecker und passende Steckdosen reduzieren die Stromschlaggefahr.
- b) **Vermeiden Sie den Körperkontakt zu geerdeten Flächen, wie zum Beispiel Rohrleitungen, Heizkörpern, Herden und Kühlschränken.** Es besteht erhöhte Stromschlaggefahr, wenn Ihr Körper geerdet ist.

- c) **Schützen Sie Elektrowerkzeuge vor Regen oder feuchten Bedingungen.** Wenn Wasser in das Elektrowerkzeug eindringt, besteht erhöhte Stromschlaggefahr.
  - d) **Das Kabel darf nicht zweckentfremdet werden. Das Netzkabel darf nicht zum Tragen, Ziehen oder Herausziehen des Elektrowerkzeugs aus der Steckdose verwendet werden.** Das Netzkabel muss vor Hitze, Öl, scharfen Kanten oder beweglichen Teilen ferngehalten werden. Durch beschädigte oder verknottete Kabel besteht erhöhte Stromschlaggefahr.
  - e) **Wenn Sie ein Elektrowerkzeug im Freien benutzen, verwenden Sie ein Verlängerungskabel, das für den Gebrauch im Freien geeignet ist.** Die Stromschlaggefahr verringert sich bei Gebrauch eines Netzkabels, das für den Einsatz im Freien geeignet ist.
  - f) **Wenn der Gebrauch eines Elektrowerkzeugs an einem feuchten Ort unvermeidbar ist, benutzen Sie eine durch eine Fehlerstromschutzeinrichtung (FI-Schalter) geschützte Stromquelle.** Die Verwendung einer Fehlerstromschutzeinrichtung reduziert die Stromschlaggefahr.
- #### 3) PERSONENSICHERHEIT
- a) **Seien Sie wachsam, geben Sie darauf Acht, was Sie tun, und benutzen Sie Ihren gesunden Menschenverstand, wenn Sie ein Elektrowerkzeug verwenden. Betreiben Sie das Gerät nicht, wenn Sie müde oder unter dem Einfluss von Drogen, Alkohol oder Medikamenten stehen.** Ein Moment der Unachtsamkeit kann beim Gebrauch eines Elektrowerkzeugs zu ernsthaften Verletzungen führen.
  - b) **Tragen Sie eine persönliche Schutzausrüstung. Tragen Sie immer einen Augenschutz.** Durch eine für die jeweiligen Bedingungen geeignete Schutzausrüstung wie etwa eine Staubschutzmaske, rutschfeste Schuhe, Helm oder Gehörschutz lässt sich die Verletzungsgefahr verringern.
  - c) **Ungewollten Anlauf verhindern. Vor dem Anschließen an eine Steckdose und/oder einen Akku und vor dem Aufnehmen oder Transportieren des Geräts immer kontrollieren, ob der Hauptschalter in ausgeschalteter Position ist.** Unfälle sind vorprogrammiert, wenn Sie Elektrowerkzeuge mit einem Finger am Hauptschalter tragen oder Elektrowerkzeuge mit eingeschaltetem Hauptschalter an eine Steckdose anschließen.
  - d) **Entfernen Sie alle Einstellschlüssel oder Schraubenschlüssel, bevor Sie das Elektrowerkzeug einschalten.** Ein Schraubenschlüssel oder ein Schlüssel, der noch an einem beweglichen Teil des Elektrowerkzeuges befestigt ist, kann Verletzungen hervorrufen.
  - e) **Nicht überstrecken. Achten Sie stets auf einen festen Stand und halten Sie das Gleichgewicht.** Dies ermöglicht in unerwarteten Situationen eine bessere Kontrolle über das Elektrowerkzeug.
  - f) **Tragen Sie angemessene Kleidung. Tragen Sie keine weite Kleidung oder Schmuck. Halten Sie Ihr Haar und Ihre Kleidung von beweglichen Teilen fern.** Weite Kleidung, Schmuck oder langes Haar können sich in den beweglichen Teilen verfangen.
  - g) **Wenn Komponenten zum Anschluss an eine Absauganlage und an Auffangvorrichtungen**

mitgeliefert werden, achten Sie darauf, dass diese ordnungsgemäß befestigt und benutzt werden.

Die Verwendung einer Staubauffangvorrichtung kann Gefahren durch Staub reduzieren.

- h) Lassen Sie sich nicht durch die aufgrund häufiger Benutzung entstandene Vertrautheit mit Werkzeugen dazu verleiten, unachtsam zu werden und die für Werkzeuge geltenden Sicherheitsgrundsätze zu ignorieren. Eine fahrlässige Handlung kann bereits im Bruchteil einer Sekunde zu schweren Verletzungen führen.

#### 4) GEBRAUCH UND PFLEGE DES ELEKTROWERKZEUGS

- a) **Üben Sie keinen übermäßigen Druck auf das Elektrowerkzeug aus.** Verwenden Sie ein geeignetes Elektrowerkzeug für die jeweiligen Arbeiten. Durch das passende Elektrowerkzeug lassen sich die Arbeiten besser und sicherer in dem jeweils vorgesehenen Tempo erledigen.
- b) **Verwenden Sie das Elektrowerkzeug nicht, wenn es sich mit dem Schalter weder ein- noch ausschalten lässt.** Ein Elektrowerkzeug, das sich über den Schalter nicht betätigen lässt, ist gefährlich und muss repariert werden.
- c) **Ziehen Sie den Netzstecker aus der Steckdose bzw. nehmen Sie den Akku vom Elektrowerkzeug ab, sofern dieser entfernbar ist, bevor Sie Einstellungen vornehmen, das Zubehör wechseln oder Elektrowerkzeuge verstauen.** Solche vorsorglichen Sicherheitsmaßnahmen verringern die Gefahr, dass sich das Elektrowerkzeug unbeabsichtigt einschaltet.
- d) **Bewahren Sie nicht benutzte Elektrowerkzeuge außerhalb der Reichweite von Kindern auf und verbieten Sie Personen die Gerätebenutzung, die das Elektrowerkzeug oder diese Anweisungen nicht kennen.** In den Händen nicht eingewiesener Benutzer stellen Elektrowerkzeuge eine große Gefahr dar.
- e) **Warten Sie Elektrowerkzeuge und Zubehörteile. Achten Sie auf falsch ausgerichtete oder fest sitzende bewegliche Teile, Bruchstellen und sonstige Umstände, die die Funktion des Elektrowerkzeuges beeinträchtigen können. Lassen Sie beschädigte Elektrowerkzeuge reparieren, bevor Sie sie wieder einsetzen.** Viele Unfälle entstehen durch schlecht gewartete Elektrowerkzeuge.
- f) **Halten Sie Schneidwerkzeuge scharf und sauber.** Sachgemäß gewartete Schneidwerkzeuge mit scharfen Schneiden neigen weniger zum Festfahren und sind leichter zu kontrollieren.
- g) **Benutzen Sie das Elektrowerkzeug, Zubehör, Bits usw. gemäß diesen Anweisungen und berücksichtigen Sie dabei die Arbeitsbedingungen und die auszuführenden Arbeiten.** Die Verwendung des Elektrowerkzeugs für Aufgaben, die von seinem bestimmungsgemäßen Zweck abweichen, können zu gefährlichen Situationen führen.
- h) **Halten Sie die Griffe und Griffflächen trocken, sauber und frei von Öl und Fett.** Rutschige Griffe und Griffflächen beeinträchtigen die sichere Handhabung des Werkzeugs und führen in unerwarteten Situationen zum Verlust der Kontrolle über das Werkzeug.
- #### 5) BENUTZUNG UND PFLEGE VON AKKUGERÄTEN
- a) **Laden Sie den Akku nur mit dem vom Hersteller**

vorgegebenen Ladegerät auf. Ein Ladegerät, das für einen bestimmten Akkutyp geeignet ist, kann bei der Benutzung eines anderen Akkus zu einer Brandgefahr werden.

- b) **Benutzen Sie für die Elektrowerkzeuge nur die jeweils zugehörigen Akkus.** Durch die Verwendung anderer Akkus besteht Verletzungs- und Brandgefahr.
- c) **Wenn der Akku nicht benutzt wird, halten Sie ihn von anderen metallischen Gegenständen fern, wie etwa Büroklammern, Münzen, Schlüssel, Nägel, Schrauben oder anderen kleinen Metallgegenständen, die eine Verbindung zwischen den Polen herstellen können.** Das Kurzschließen der Pole kann Verbrennungen oder Brände verursachen.
- d) **Bei unsachgemäßer Anwendung kann Flüssigkeit aus dem Akku austreten; Kontakt vermeiden. Falls Sie versehentlich mit Akkusäure in Berührung gekommen sind, spülen Sie die Stelle mit Wasser.** Falls Akkusäure in die Augen geraten ist, suchen Sie zudem einen Arzt auf. Aus dem Akku austretende Flüssigkeit kann Reizungen oder Verätzungen verursachen.
- e) **Benutzen Sie keinen Akku oder ein Werkzeug, das beschädigt oder umgebaut wurde.** Beschädigte oder umgebaute Akkus können sich unvorhergesehen verhalten, wodurch möglicherweise ein Brand, eine Explosion oder Verletzung verursacht wird.
- f) **Akkus oder Werkzeuge vor Feuer oder extremen Temperaturen schützen.** Feuer oder Temperaturen über 130 °C können eine Explosion verursachen.
- g) **Befolgen Sie alle Ladeanweisungen und laden Sie den Akku oder das Werkzeug nicht außerhalb des Temperaturbereichs auf, der in der Anleitung angegeben ist.** Das unsachgemäße Aufladen oder Laden außerhalb des angegebenen Temperaturbereichs kann den Akku beschädigen und die Brandgefahr erhöhen.
- #### 6) REPARATUREN
- a) **Lassen Sie Ihr Elektrowerkzeug von einer qualifizierten Fachkraft und nur unter Verwendung baugleicher Ersatzteile reparieren.** Nur so kann für die Sicherheit des Elektrowerkzeugs gesorgt werden.
- b) **Reparieren Sie unter keinen Umständen beschädigte Akkus. Akkus sollten ausschließlich vom Hersteller selbst oder einer autorisierten Reparaturwerkstatt repariert werden.**

#### SICHERHEITSHINWEISE FÜR BÜRSTENLOSE KREISSÄGEN

#### SICHERHEITSHINWEISE FÜR SÄGEN IM ALLGEMEINEN

- a) **⚠ VORSICHT: Halten Sie die Hände aus dem Sägebereich und vom Sägeblatt fern. Lassen Sie die andere Hand am Zusatzgriff oder am Motorgehäuse.** Wenn beide Hände zum Festhalten der Säge benutzt werden, können sie vom Sägeblatt nicht erfasst werden.
- b) **Greifen Sie nicht unter das Werkstück.** Unterhalb des Werkstücks bietet Ihnen der Blattschutz keinerlei Schutz.
- c) **Passen Sie die Schnitttiefe an die Dicke des Werkstücks an.** Unterhalb des Werkstücks sollte weniger als eine ganze Zahnhöhe des Sägeblatts zu

- sehen sein.
- d) **Halten Sie das Werkstück beim Schneiden niemals in den Händen oder legen Sie es auf Ihr Bein. Spannen Sie das Werkstück auf einer stabilen Platte ein.** Eine gute Abstützung des Werkstücks ist wichtig, um die Gefährdung des eigenen Körpers möglichst gering zu halten und ein Verkanten des Sägeblatts oder einen Verlust der Werkzeugkontrolle zu vermeiden.
  - e) **Halten Sie Elektrowerkzeuge an den isolierten Griffflächen fest, wenn Sie Arbeiten ausführen, bei denen das Schneidwerkzeug auf verborgene Kabel treffen kann.** Bei Kontakt mit einem Strom führenden Kabel leiten die blanken Metallteile des Elektrowerkzeugs ebenfalls Strom, sodass für den Bediener Stromschlaggefahr besteht.
  - f) **Arbeiten Sie beim Längsschnitt immer mit einem Parallelenschlag oder einer Linealleiste.** Der Schnitt wird dadurch präziser und das Sägeblatt kann nicht so schnell verkanten.
  - g) **Verwenden Sie immer Sägeblätter mit der richtigen Bohrungsgröße und -form (rautenförmig oder rund).** Passt das Sägeblatt nicht zur Montageaufnahme, bewegt sich die Säge außermittig, sodass das Werkzeug außer Kontrolle gerät.
  - h) **Verwenden Sie niemals beschädigte oder falsche Unterlegscheiben oder Schrauben für die Sägeblätter.** Die Sägeblatt-Scheiben und Schraube sind speziell für diese Säge vorgesehen und sorgen für eine optimale Leistung und Betriebssicherheit.

## WEITERE SICHERHEITSHINWEISE FÜR SÄGEN IM ALLGEMEINEN

### URSACHEN FÜR RÜCKSTÖSSE UND DIESBEZÜGLICHE WARNHINWEISE

- Ein Rückstoß ist eine plötzliche Reaktion auf ein eingeklemmtes, feststitzendes oder verkantetes Sägeblatt. Eine unkontrollierte Säge kann sich dadurch nach oben aus dem Werkstück herausarbeiten und in Richtung des Bedieners schnellen.
- Wird das Sägeblatt von dem sich nach unten verjüngenden Einschnitt eingeklemmt oder erfasst, hält das Sägeblatt an und der Antriebsmotor fährt die Maschine mit hoher Geschwindigkeit rückwärts in Richtung des Bedieners.
- Wird das Sägeblatt im Schnitt verbogen oder verdreht, können die Zähne an der Hinterkante des Sägeblatts in der Oberfläche des Holzstücks verkanten, sodass das Sägeblatt aus der Fuge herauswandert und in Bedienerichtung herausspringt.

Ein Rückstoß ist die Folge eines unsachgemäßen Gebrauchs der Säge und/oder falscher Betriebs- oder Einsatzbedingungen. Rückstöße lassen sich durch die unten genannten Vorsichtsmaßnahmen vermeiden.

- a) **Halten Sie die Säge mit beiden Sägen gut fest und stützen Sie die Arme so ab, dass Sie die auftretenden Rückstoßkräfte abfangen können. Halten Sie sich mit dem Körper seitlich vom Sägeblatt, jedoch nicht in einer Linie zum Sägeblatt auf.** Durch die Rückstoßenergie kann ein Zurückspringen der Säge verursacht werden, aber die Rückstoßkräfte lassen sich durch geeignete Vorsichtsmaßnahmen unter Kontrolle halten.

- b) **Verkantet das Sägeblatt oder wird der Schnitt aus bestimmten Gründen unterbrochen, lassen Sie den Ein-/Ausschalter los und halten Sie die Säge bis zum Stillstand im Werkstück fest. Versuchen Sie nie, die Säge bei sich bewegendem Sägeblatt aus dem Werkstück oder nach hinten zu ziehen.** Andernfalls besteht die Gefahr eines Rückstoßes. Forschen Sie nach der Ursache für die Blockade und stellen Sie den Mangel ab.
- c) **Wenn Sie die im Werkstück befindliche Säge wieder starten, zentrieren Sie das Sägeblatt in der Fuge, sodass die Zähne des Sägeblatts nicht im Material fest sitzen.** Sitzt das Sägeblatt fest, kann es nach oben wandern oder beim Starten der Säge vom Werkstück zurückgestoßen werden.
- d) **Stützen Sie große Bretter ab, um die Gefahr eines Einklemmens sowie Rückstöße möglichst gering zu halten.** Große Bretter neigen dazu, aufgrund ihres Eigengewichts nachzugeben. Die Stützen müssen auf beiden Seiten des Bretts in der Nähe der Schnittführung sowie an den Breterkanten untergestellt werden.
- e) **Keine stumpfen oder schadhaften Sägeblätter verwenden.** Unschärfe oder falsch eingesetzte Sägeblätter verursachen schmale Fugen, die eine übermäßige Reibung erzeugen, das Sägeblatt festsetzen und Rückstöße auslösen.
- f) **Die Arretierhebel für die Sägeblatt-Tiefenverstellung und für den Gehrungswinkel müssen vor dem Sägen fest und sicher angezogen sein.** Verändert sich die Sägeblatteinstellung beim Sägen, kann dies zum Festsetzen des Sägeblatts und zu Rückstößen führen.
- g) **Seien Sie besonders vorsichtig, wenn Sie in bestehenden Wänden oder anderen nicht einsehbaren Bereichen sägen.** Das hervortretende Sägeblatt kann Gegenstände durchtrennen, die Rückstöße verursachen können.

### FUNKTION DES UNTEREN BLATTSCHUTZES

- a) **Prüfen Sie vor jedem Einsatz, ob die untere Schutzhaube richtig geschlossen ist. Setzen Sie die Säge nicht in Gang, wenn sich die untere Schutzhaube nicht unbehindert bewegen lässt und sich nicht direkt schließt. Der untere Blattschutz darf nie in offener Stellung fixiert oder festgebunden werden.** Wenn die Säge versehentlich auf den Boden fällt, kann sich die untere Schutzhaube verbiegen. Heben Sie die untere Schutzhaube mit dem Rückziehreff hoch und stellen Sie sicher, dass sich ungehindert bewegt und weder das Sägeblatt noch ein anderes Teil berührt, ganz gleich bei welchem Winkel und bei welcher Schnitttiefe.
- b) **Überprüfen Sie Feder der unteren Schutzhaube auf Funktion. Wenn der Blattschutz und die Feder nicht korrekt funktionieren, müssen beide vor dem Sägen instandgesetzt werden.** Der untere Blattschutz wird durch beschädigte Teile, anhaftende Ablagerungen oder Schmutzansammlungen unter Umständen schwergängig.
- c) **Der untere Sägeblattschutz darf nur bei bestimmten Schnitten wie z. B. bei „Tauschsnitten“ und „Schifterschnitten“ manuell zurückgezogen werden. Heben Sie die untere Schutzhaube mit dem Rückziehreff an.** Sobald das Sägeblatt in das Material eingreift, muss die untere Schutzhaube wieder losgelassen werden. Bei allen übrigen Sägearbeiten



sollte der untere Blattschutz automatisch funktionieren.

- d) **Achten Sie stets darauf, dass die untere Schutzhaube das Sägeblatt verdeckt, bevor Sie die Säge auf der Werkbank oder auf den Boden legen.** Durch ein auslaufendes ungeschütztes Sägeblatt kann die Säge rückwärts wandern und alles durchtrennen, was ihr im Wege liegt. Denken Sie an die Nachlaufzeit zwischen dem Loslassen des Betriebsschalters und dem vollständigen Stillstand des Sägeblatts.

#### ALLGEMEINES

- Dieses Werkzeug sollte nicht von Personen unter 16 Jahren verwendet werden.
- Dieses Werkzeug ist nicht zum Nassschneiden geeignet.
- **Bearbeiten Sie kein asbesthaltiges Material** (Asbest gilt als krebserregend).
- Der Staub von Materialien wie bleihaltiger Farbe, bestimmten Holzarten, Mineralien und Metallen kann gesundheitsschädlich sein (das Einatmen oder der Kontakt mit diesen Stäuben kann allergische Reaktionen und/oder Atemwegserkrankungen beim Benutzer oder bei Passanten auslösen); **tragen Sie eine Staubmaske und arbeiten Sie mit einer Staubabsaugung, sofern diese anschließbar ist.**
- Bestimmte Stäube sind als krebserregend eingestuft (beispielsweise Eichen- und Buchenholzstaub), insbesondere in Verbindung mit Zusätzen für die Holzvorbehandlung. **Tragen Sie eine Staubmaske und arbeiten Sie mit einer Staubabsaugung, sofern anschließbar.**
- Beachten Sie die für Ihr verwendetes Verbrauchsmaterial gültigen nationalen Staubschutzvorgaben.
- Verwenden Sie diese Säge nicht in Kombination mit einem Säge Tisch.
- Bevor Einstellungen vorgenommen oder Zubehörteile ausgetauscht werden, Akku aus dem Werkzeug nehmen.

#### ZUBEHÖR

- SKIL kann nur dann die einwandfreie Funktion des Werkzeuges zusichern, wenn Original-Zubehör verwendet wird.
- Nur Zubehör verwenden, dessen zulässige Drehzahl mindestens so hoch ist wie die höchste Leerlaufdrehzahl des Werkzeuges.
- Nur Sägeblätter benutzen, die mit den in dieser Betriebsanleitung genannten Kennwerten übereinstimmen und die gemäß EN 847-1 getestet und gekennzeichnet sind.
- Nur Sägeblätter mit einem Durchmesser von 165 mm und einem Spindeloch von 16 mm verwenden.
- Niemals Schleif-/Trennscheiben an diesem Werkzeug verwenden

#### VOR DEM GEBRAUCH

- Beschädigungen durch Schrauben, Nägel und ähnliches an Ihrem Werkstück vermeiden; diese vor Arbeitsbeginn entfernen.
- Bevor Sie mit dem Schnitt beginnen, alle Hindernisse von der Ober- wie auch von der Unterseite der Schnittstrecke entfernen.
- **Spannen Sie das Werkstück ein.** (Wird das Werkstück von einer Spannvorrichtung gehalten oder in einen Schraubstock eingespannt, ist das Arbeiten sicherer als beim Festhalten mit der Hand.)
- **Verwenden Sie geeignete Suchgeräte, um unter Putz verlegte Leitungen aufzuspüren. Wenden Sie sich alternativ an einen Elektrofachbetrieb.** Der Kontakt mit Elektroleitungen kann Brände und

Stromschläge hervorrufen. Bei Beschädigung einer Gasleitung besteht Explosionsgefahr. Durch das Beschädigen einer Wasserleitung besteht die Gefahr einer Sachbeschädigung oder Stromschlaggefahr.

#### WÄHREND DES GEBRAUCHS

- Der Geräuschpegel beim Arbeiten kann 85 dB(A) überschreiten; Gehörschutz tragen.
- Das Werkzeug niemals ohne die Original-Schutzvorrichtungen benutzen.
- Nicht versuchen, sehr kleine Werkstücke zu sägen.
- Mit dem Werkzeug nicht über Kopf arbeiten.
- Wenn das Werkzeug festsetzt oder eine elektrische oder mechanische Fehlfunktion auftritt, das Werkzeug sofort ausschalten und den Akku entfernen.

#### NACH DEM GEBRAUCH

- Vor dem Ablegen des Werkzeugs den Motor ausschalten und sicherstellen, dass alle sich bewegenden Teile bis zum Stillstand ausgelaufen sind.
- Sägeblätter nach dem Ausschalten des Werkzeuges nicht durch seitliches Gegendrücken bremsen.

#### AKKU

- **Der mitgelieferte Akku, falls vorhanden, ist nur teilgeladen.** (Um die volle Kapazität des Akkus nutzen zu können, laden Sie den Akku im Ladegerät vollständig auf, bevor Sie das Elektrowerkzeug zum ersten Mal verwenden.)
- **Nur die mit diesem Werkzeug mitgelieferten Akkus und Ladegeräte verwenden.**
  - SKIL-Batterie: BR1\*31\*\*\*\*
  - SKIL-Ladegerät: CR1\*31\*\*\*\*
- Beschädigte Akkus nicht weiter verwenden, sondern sofort ersetzen.
- Den Akku nicht auseinandernehmen.
- Das Werkzeug/den Akku niemals Regen aussetzen.
- Erlaubte Umgebungstemperatur (Werkzeug/Ladegerät/Akku):
  - beim Laden 4...40°C
  - beim Betrieb -20...+50°C
  - bei Lagerung -20...+50°C

#### ERKLÄRUNG DER SYMBOLE AUF DEM WERKZEUG

- ③ Die Bedienungsanleitung vor dem Gebrauch lesen.
- ④ Batterien bzw. Akkus können bei Kontakt mit Feuer explodieren, daher niemals ins Feuer werfen.
- ⑤ Werkzeug/Ladegerät/den Akku stets bei Raumtemperaturen unter 50°C aufbewahren.
- ⑥ Elektrowerkzeuge und Akkus nicht in den Hausmüll werfen.

#### BEDIENUNG

- Aufladen des Akkus  
**! Lesen Sie die mit dem Ladegerät gelieferten Sicherheitshinweise.**
- Entbringen/Abnehmen des Akkus ②
- Ladestandsanzeige ⑦
  - Drücken Sie auf den Taster für die Akkustandsanzeige AB, um den aktuellen Ladezustand des Akkus zu kontrollieren ⑦a.
- **! Wenn nach dem Drücken des Tasters AB ⑦b die unterste Ladestufe in der Anzeige blinkt, ist der Akku leer.**
- **! Wenn nach dem Drücken des Tasters AB ⑦c 2 Ladebalken blinken, ist der Akku nicht im zulässigen Betriebstemperaturbereich.**
- Schattenlinien-LED-Leuchte ⑧

Ihr Werkzeug ist mit einer Schattenlinien-LED-Leuchte ausgestattet, die sich unter dem oberen Sägeblattschutz befindet.

Sie ermöglicht eine zusätzliche Ausleuchtung des Sägeblattes und der Werkstückoberfläche.

Das LED-Licht projiziert einen Schatten des Sägeblatts, um das Werkzeug entlang der gewünschten, auf dem Werkstück markierten Schnittlinie zu führen.

**! Immer zuerst an einem Probestück ausprobieren.** Die LED-Leuchte schaltet sich automatisch ein, wenn der Auslöseschalter leicht gedrückt wird. Etwa 10 Sekunden nach dem Loslassen des Einschalters schaltet sich die Leuchte aus.

**! Bei einer Überlastung oder Überhitzung des Werkzeugs oder des Akkus blinkt die LED-Leuchte schnell und das Werkzeug wird von den internen Sensoren abgeschaltet. Lassen Sie das Werkzeug eine Zeit lang ruhen oder legen Sie das Gerät und den Akku zum Kühlen in einen gut belüfteten Bereich ab.**

**! Das LED-Licht blinkt langsamer, um anzuzeigen, dass der Ladestand des Akkus niedrig ist. Akku aufladen.**

Das in der oberen Schutzabdeckung integrierte LED-Reinigungsrad X dient zur Reinigung der LED-Leuchte. Wenn die LED-Leuchte aufgrund der darauf angesammelten Sägespäne schwächer wird, drehen Sie das LED-Reinigungsrad X in eine beliebige Richtung, um das Sägemehl zu entfernen und die LED-Leuchte wieder hell leuchten zu lassen.

#### • Akkuschutz

Das Gerät schaltet sich plötzlich aus oder das Einschalten wird verhindert, wenn

- **die Last zu stark ist** --> Gerät entlasten und neu starten;

- **die Akkutemperatur nicht im zulässigen Betriebstemperaturbereich von -20 bis +50° C liegt** --> Nach dem Drücken der Taste AB ⑦c blinken 2 Balken der Akkustandsanzeige auf. Warten,

bis sich der Akku wieder innerhalb des zulässigen Betriebstemperaturbereichs befindet;

- **der Akku fast leer ist (zum Schutz vor Tiefentladung)** --> Nach dem Drücken der Taste AB wird ein niedriger Akkustand oder ein blinkender niedriger Akkustand ⑦b von der Akkustandsanzeige gemeldet; Akku aufladen.

**! Nach einer automatischen Ausschaltung des Werkzeugs nicht weiterhin auf den Ein-/Ausschalter drücken; der Akku kann beschädigt werden.**

#### • Sägeblatt montieren AA ②

**! Akku aus dem Werkzeug nehmen.**

- Sechskantschlüssel A aus der Halterung B nehmen.

- Den Spindelarretierschalter C gedrückt halten und die Schraube D abmontieren. Dazu den Sechskantschlüssel A **IM UHRZEIGERSINN** drehen (= gleiche Richtung wie der Pfeil auf dem Sägeblatt).

**! Spindelarretierschalter C nur bei stillstehendem Werkzeug drücken.**

- Spindelarretierschalter C loslassen.

- Flansch E entfernen.

**! Sicherstellen, dass die Spannflächen H der Flansche komplett sauber sind und bündig vor dem Sägeblatt liegen.**

- Den unteren Blattschutz F mit dem Hebel G geöffnet halten. Dabei das Sägeblatt montieren und darauf achten, dass die Sägezähne und die Pfeilmarkierung auf dem Sägeblatt in dieselbe Richtung zeigen wie der Pfeil auf dem unteren Blattschutz.

- Den unteren Blattschutz F loslassen.

- Flansch E montieren.

- Spindelarretierschalter C gedrückt halten und dabei die Schraube D mit dem Sechskantschlüssel A zunächst handfest und dann mit einer 1/8 Drehung anziehen. Das sorgt für einen Schlupf des Sägeblatts bei zu starkem Widerstand, schützt den Motor vor einer Überlastung und mindert die Rückstoßgefahr.

- Spindelarretierschalter C loslassen.

#### • Schnitttiefe einstellen (0-57 mm) ⑨

- Knopf K lösen.

- Die Fußplatte J heben/senken, bis die gewünschte Schnitttiefe mithilfe der Schnitttiefenanzeige L auf der Skala eingestellt ist.

- Knopf K festziehen.

- Für eine optimale Schnittgüte sollte das Sägeblatt nicht weiter als einen Sägezahn unterhalb des Werkstücks hervortreten.

#### • Schnittwinkel einstellen (0 - 45°) ⑩

- Knopf M lösen.

- Werkzeug neigen, bis der Zeiger N den gewünschten Schnittwinkel auf der Skala anzeigt.

- Knopf M festziehen.

**! Bei einem Gehrungsschnitt entspricht die auf der Tiefengradierung angezeigte Schnitttiefe nicht der effektiven Schnitttiefe.**

#### • Schnitlinienanzeige P ⑪

- zum Führen des Werkzeugs entlang der Schnittlinie, die am Werkstück markiert wurde

- für einen linearen 0°-Schnitt oder einen 45°-Gehrungsschnitt die entsprechenden Zeigerlinie verwenden

**! Der größere Teil des Fußes sollte auf dem aufgestützten Teil des Werkstücks aufliegen.**

**! Die Schnittbreite wird durch die Sägezahnbreite und nicht durch die Sägeblattdicke festgelegt.**

**! Immer zuerst einen Probeschnitt ausführen, um die effektive Schnittlinie zu überprüfen.**

#### • Staubabsaugung ⑫

Staubsaugeradapter R mit der Kreuzschlitzschraube am Staubabsauganschluss Q anbringen.

Zur Verwendung eines Staubsaugers

- den Staubsaugerschlauch mit dem Staubsaugeranschluss R verbinden.

**! Der Staubsaugerschlauch darf auf keinen Fall mit dem unteren Sägeblattschutz F in Kontakt geraten oder den Sägevorgang behindern!**

Staubbeutel

- Staubbeutel AC \*STANDARDMÄSSIG NICHT MITGELIEFERT anbringen.

#### • Bedienung des Werkzeuges

- Akku anbringen.

- Den hinteren Griff S immer mit einer Hand und den vorderen Griff T mit der anderen Hand festhalten

- Werkzeug mit der Fußvorderseite flach auf dem Werkstück positionieren.

**! Stellen Sie sicher, dass die Sägeblattzähne nicht im Werkstück verkeilt sind.**

- Drücken Sie zum Einschalten des Werkzeugs zuerst den Sicherheitsschalter W und anschließend den Auslöseschalter V.

**! Die Säge muss erst die Höchstgeschwindigkeit erreichen bevor das Sägeblatt in das Werkstück eingeführt wird.**

- Der untere Blattschutz F öffnet sich automatisch, wenn das Sägeblatt in das Werkstück eingreift (den unteren Blattschutz nur für spezielle Schnitte wie etwa Tauschschnitte manuell öffnen; hierzu Hebel G betätigen).

**! Drücken Sie nicht übermäßig auf das Werkzeug (wenden Sie einen leichten und gleichmäßigen Druck an, um die Blattspitzen nicht zu überhitzen).**

- Nach dem Sägen das Gerät durch Loslassen des Auslöseschalters V ausschalten.

**! Stellen Sie sicher, dass das Blatt vollkommen zum Stillstand gekommen ist, bevor Sie das Werkzeug aus dem Werkstück ziehen!**

## ANWENDUNGSHINWEISE

• Um die Splitterbildung möglichst gering zu halten, sollte die gute Werkstücksseite immer nach unten zeigen.

• Nur scharfe Sägeblätter des richtigen Typs benutzen <sup>(13)</sup>.  
- Die Schnittqualität verbessert sich durch die Anzahl der Zähne.  
- Hartmetallbestückte Sägeblätter haben eine bis zu 40 Mal längere Standzeit als konventionelle Sägeblätter.

• Querschnitte/Rip Cuts <sup>(14)</sup>  
Querschnitte oder Rip-Cuts sind mit einem Parallelanschlag Y einfach zu bewerkstelligen.

- Am Fuß die 0° Schnittlinienanzeige P auf die gewünschte Schnittlinie ausrichten.  
- Einen Parallelanschlag Y durch die Öffnung auf der gewünschten Seite des Fußes einführen, auf die gewünschte Breite einstellen und mit Knopf Z arretieren.

**! Sicherstellen, dass der Rip-Schutz die Bewegungsfreiheit des unteren Sägeblattschutzes und des Sägeblattes nicht einschränkt.**

• Tauchsägen <sup>(15)</sup>  
- Gewünschte Schnitttiefe einstellen.  
- Das Werkzeug nach vorn kippen, bis die Schnittführungsanzeige P mit der gewünschten Schnittlinie fluchtet, die auf dem Werkstück markiert ist.  
- Den unteren Blattschutz F mit Hebel G lösen.  
- Kurz vor dem Eintauchen des Sägeblatts in das Werkstück das Werkzeug einschalten, und den rückwärtigen Werkzeuteil allmählich absenken. Dabei das vordere Fußende als Angelpunkt verwenden.  
- Das Werkzeug langsam nach unten absenken und gleichzeitig vorwärts bewegen.  
- Sobald das Sägeblatt in das Werkstück eindringt, Hebel G loslassen.

**! Das Werkzeug grundsätzlich nicht rückwärts führen.**

• Große Paneele sägen <sup>(16)</sup>  
- Das Paneel nahe der Schnittlinie entweder am Boden, auf einem Tisch oder einer Werkbank abstützen.

**! Die Schnitttiefe so einstellen, dass Sie die Platte durchtrennen und nicht in die Auflagestützen sägen.**

- Falls die gewünschte Schnittbreite mit dem

Parallelanschlag nicht möglich ist, eine gerade Holzleiste als Richtlatte am Werkstück einspannen oder festnageln und das Werkzeug mit der rechten Fußseite an diese Richtlatte anschlagen lassen <sup>(17)</sup>.

- Mit Führungsschiene schneiden <sup>(19)</sup>  
\*STANDARDMÄSSIG NICHT MITGELIEFERT  
Mit einer Führungsschiene lassen sich präzise Schnitte mit 45° oder 90° Winkel herstellen.  
Vor dem ersten Sägen mit der Führungsschiene muss die Gummilippe an die verwendete Kreissäge angepasst werden.
  - Stellen Sie die 90° Winkelseite der Schiene AD zum Sägen mit 90° (bzw. die 45° Winkelseite beim Sägen mit 45°) auf die gewünschten Schnittlinie ein, die am Werkstück angezeichnet ist.
  - Die Führungsschiene AD mit Schraubzwingen AE <sup>(18)</sup> fest einspannen. \*STANDARDMÄSSIG NICHT MITGELIEFERT
  - Die Säge auf die Führungsschiene AD schieben. Die Säge muss frei auf der Schiene gleiten können, ohne seitlich zu schwingen.
  - Beim Einstellen der Schnitttiefe die Dicke der Führungsschiene AD berücksichtigen.
  - Die Säge gleichmäßig und mit langsamem Vorschub bis zum Ende der Führungsschiene AD führen.
- Weitere Informationen finden Sie unter [www.skil.com](http://www.skil.com)

## WARTUNG/SERVICE

- Dieses Gerät ist nicht für den professionellen Gebrauch bestimmt.
- Das Gerät immer sauber halten.  
**! Vor der Montage die Batterie aus dem Werkzeug entfernen.**
- Halten Sie den Bereich um den unteren Blattschutz F <sup>(2)</sup> herum stets sauber. (Entfernen Sie Staub und Späne mit Hilfe von Druckluft oder einer Bürste.)
- Das Sägeblatt unmittelbar nach der Benutzung reinigen (insbesondere von Harz- und Leimrückständen).
- Sollte das Elektrowerkzeug trotz sorgfältiger Herstellungs- und Prüfverfahren einmal ausfallen, ist die Reparatur von einer autorisierten Kundendienststelle für SKIL-Elektrowerkzeuge ausführen zu lassen.
  - Schicken Sie das Werkzeug zerlegt zusammen mit dem Kaufbeleg an den Fachhändler oder an die nächste SKIL-Vertragswerkstatt (die Anschriften sowie die Ersatzteilzeichnung des Werkzeuges finden Sie unter [www.skil.com](http://www.skil.com)).
- Beachten Sie, dass ein falscher oder unsachgemäßer Gebrauch des Werkzeugs zum Erlöschen der Garantie führt. (Die SKIL-Garantiebedingungen finden Sie unter [www.skil.com](http://www.skil.com) oder fragen Sie Ihren Händler.)

## Umwelt

Nur für EU-Länder

- **Elektrowerkzeuge, Zubehör und Verpackungen nicht im Hausmüll entsorgen.**
  - Gemäß der europäischen Richtlinie 2012/19/EG über Elektro- und Elektronik-Altgeräte und ihrer Umsetzung in nationales Recht müssen nicht mehr gebrauchsfähige Elektrowerkzeuge getrennt gesammelt und einer umweltgerechten Wiederverwertung zugeführt werden.
  - Hieran soll Sie das Symbol <sup>(6)</sup> erinnern.

**! Bevor Sie die Batterie entsorgen, schützen Sie die Batterieenden mit einem schweren Band, um so Kriechströme zu vermeiden.**

## GERÄUSCH/VIBRATION

- Laut Messung gemäß EN 62841 beträgt der Schalldruckpegel dieses Werkzeugs 94 dB(A) und der Schalleistungspegel 102 dB(A) (Unsicherheit K = 3 dB). Die Vibration beträgt <math>2,5 \text{ m/s}^2</math> (Triaxvektorsumme; Unsicherheit K = 1,5  $\text{m/s}^2$ ).
  - Der Vibrationsemissionswert wurde mit einem standardisierten Test gemäß EN 62841 gemessen. Er kann verwendet werden, um ein Werkzeug mit einem anderen zu vergleichen und dient als vorläufige Beurteilung der Vibrationsexposition bei Verwendung des Werkzeugs für die angegebenen Anwendungszwecke.
    - Die Verwendung des Werkzeugs für andere Anwendungen oder mit anderem oder schlecht gewartetem Zubehör kann den Expositionsgrad erheblich **erhöhen**.
    - Zeiten, zu denen das Werkzeug ausgeschaltet oder bei denen es in Betrieb ist, aber nicht zum Einsatz kommt, können den Expositionswert erheblich **verringern**.
- ! Schützen Sie sich vor den Auswirkungen der Vibration durch Wartung des Werkzeugs und des Zubehörs, halten Sie Ihre Hände warm und organisieren Sie Ihren Arbeitsablauf.**

NL

## Borstelloze cirkelzaag 3551

### INLEIDING

- Dit gereedschap is bedoeld voor het in de lengte en dwars doorzagen van hout met rechte zaagsneden en zaagsneden onder een hoek van max. 45°
- Dit gereedschap is niet bedoeld voor professioneel gebruik
- Lees en bewaar deze gebruiksaanwijzing ③

### TECHNISCHE GEGEVENS ①

### ONDERDELEN VAN DE MACHINE ②

- A Inbussleutel
- B Opslag voor binnenzeskantsleutel
- C Spil-vergrendelingsknop
- D Bout
- E Flens
- F Onderste beschermkap
- G Hendel om onderste beschermkap te openen
- H Klemoppervlak
- J Voetplaat
- K Knop voor instellen van zaagdiepte
- L Zaagdiepte-indicator
- M Knop voor instellen verstekhoek
- N Zaaghoek-indicator
- P Zaaglijn-indicator
- Q Stofopvang aansluiting
- R Stofzuiger adapter
- S Achterste handgreep
- T Voorste handgreep

- U Gleuf voor geleiderail
  - V Drukschakelaar
  - W Veiligheidsschakelaar
  - X LED-reinigingsdraaiknop
  - Y Breedtegeleider
  - Z Knop voor het instellen breedtegeleider
  - AA Zaagblad
  - AB AAccuniveau-indicator
  - AC AStofzak\*
  - AD AGeleiderail\*
  - AE AKlem voor geleiderail\*
- \* NIET STANDAARD INBEGREPEN

## VEILIGHEID

### ALGEMENE VEILIGHEIDSVORSCHRIFTEN VOOR HET GEREEDSCHAP

**⚠ WAARSCHUWING** Lees alle veiligheidswaarschuwingen, instructies, illustraties en specificaties die met dit elektrisch gereedschap zijn meegeleverd. Het negeren van onderstaande instructies kan leiden tot een elektrische schok, brand en/of ernstig letsel.

**Bewaar alle waarschuwingen en instructies voor toekomstig gebruik.**

De term "elektrisch gereedschap" in de waarschuwingen verwijst naar uw op het voedingsnet aangedreven (met snoer) elektrisch gereedschap of batterij aangedreven (snoerloos) elektrisch gereedschap.

#### 1) VEILIGHEID OP DE WERKPLAATS

- Houd uw werkplaats schoon en goed verlicht.** Rommelige of donkere ruimten kunnen ongevallen veroorzaken.
  - Gebruik geen elektrisch gereedschap in ruimten waar een explosieve atmosfeer kan ontstaan, bijvoorbeeld in de aanwezigheid van ontvlambare vloeistoffen, gassen of stof.** Elektrisch gereedschap creëert vonken, deze kunnen stof of dampen in brand steken.
  - Houd kinderen en omstanders uit de buurt wanneer u een elektrisch gereedschap bedient.** Afleiding kan tot controleverlies leiden.
- #### 2) ELEKTRISCHE VEILIGHEID
- De stekker van het elektrisch gereedschap dient met het stopcontact overeen te stemmen. Pas de stekker op geen enkele manier aan.** Gebruik geen adapterstekker met geaard elektrisch gereedschap. Niet aangepaste stekkers en overeenkomstige stopcontacten beperken het risico op elektrische schokken.
  - Vermijd lichamelijk contact met geaarde oppervlakken, zoals pijpleidingen, radiatoren, fornuizen of koelkasten.** Het risico op een elektrische schok is groter als uw lichaam geaard is.
  - Stel elektrisch gereedschap niet bloot aan regen of vochtige omstandigheden.** Water dat elektrisch gereedschap binnendringt, vergroot het risico op een elektrische schok.
  - Gebruik de kabel niet op een verkeerde manier. Gebruik de kabel nooit om het elektrisch gereedschap te dragen, te trekken of om de stekker**

- uit het stopcontact te halen. Houd de kabel uit de buurt van hitte, olie, scherpe randen of bewegende onderdelen. Beschadigde of verstrikte kabels vergroten het risico op een elektrische schok.
- e) **Wanneer u een elektrisch gereedschap buitenshuis bedient, gebruik dan een verlengkabel die geschikt is voor gebruik buitenshuis.** Het gebruik van een kabel die voor gebruik buitenshuis geschikt is, verkleint het risico op een elektrische schok.
  - f) **Als het gebruik van elektrisch gereedschap in een vochtige ruimte noodzakelijk is, gebruik een differentieelschakelaar.** Het gebruik van een differentieelschakelaar verkleint het risico op elektrische schokken.
- ### 3) PERSOONLIJKE VEILIGHEID
- a) **Wees waakzaam, let op wat u doet en gebruik uw gezond verstand wanneer u elektrisch gereedschap gebruikt.** Gebruik het elektrisch gereedschap niet als u moe bent of onder de invloed bent van drugs, alcohol of medicijnen. Een moment van onoplettendheid tijdens het gebruik van elektrische gereedschappen kan leiden tot ernstig persoonlijk letsel.
  - b) **Gebruik persoonlijke beschermingsmiddelen. Draag altijd oogbescherming.** Beschermingsmiddelen zoals een stofmasker, slipvaste veiligheidsschoenen, veiligheidshelm of gehoorbescherming afhankelijk van de aard en het gebruik van het gereedschap verkleint het risico op persoonlijk letsel.
  - c) **Vermijd dat het gereedschap per ongeluk wordt gestart. Zorg dat de schakelaar op de stand 'Uit' is ingesteld voordat u het gereedschap op een stroombron en/of accupack aansluit, vastneemt of draagt.** Het dragen van elektrisch gereedschap met uw vinger op de schakelaar of gereedschap ingeschakeld op de stroomvoorziening aansluiten kan ongevallen veroorzaken.
  - d) **Verwijder instelsleutels of moersleutels voordat u het elektrisch gereedschap inschakelt.** Een instelsleutel of moersleutel in een draaiend deel van het elektrisch gereedschap achterlaten kan leiden tot persoonlijk letsel.
  - e) **Reik niet te ver. Zorg er altijd voor dat u stevig en stabiel staat.** Dit zorgt ervoor dat u het elektrisch gereedschap in onverwachte situaties beter onder controle kunt houden.
  - f) **Draag passende kleding. Draag geen los hangende kleding of sieraden. Houd uw haar en kleding uit de buurt van bewegende onderdelen.** Los hangende kleding, sieraden en lang haar kunnen in bewegende onderdelen verstrikt raken.
  - g) **Wanneer de montage van stofafzuiging- of stofopvangvoorzieningen mogelijk is, dient u ervoor te zorgen dat deze juist aangesloten en gebruikt worden.** Het gebruik van een stofopvang kan helpen om het risico in verband met stof te verlagen.
  - h) **Word niet zelfingenomen door de ervaring die u heeft opgedaan door frequent gebruik, waardoor u dan de veiligheids waarschuwingen negeert.** Een achteloze actie kan binnen een fractie van een seconde ernstig letsel veroorzaken.
- ### 4) ELEKTRISCH GEREEDSCHAP GEBRUIKEN EN ONDERHOUDEN
- a) **Overbelast het elektrisch gereedschap niet.**
- Gebruik het juiste elektrisch gereedschap voor uw toepassing.** Met het juiste elektrisch gereedschap werkt u beter en veiliger binnen het aangegeven vermogensbereik.
- b) **Gebruik het elektrisch gereedschap niet als de schakelaar niet kan worden in- en uitgeschakeld.** Elektrisch gereedschap dat niet kan worden in- of uitgeschakeld is gevaarlijk en moet worden gerepareerd.
  - c) **Trek de stekker uit de stroomvoorziening en/of verwijder het accupack, indien deze kan worden verwijderd, uit het elektrisch gereedschap voordat u het instelt, accessoires vervangt of het gereedschap opbergt.** Deze preventieve voorzorgsmaatregelen beperken het risico op onbedoeld starten van het elektrisch gereedschap.
  - d) **Berg niet-gebruikt elektrisch gereedschap op buiten het bereik van kinderen en zorg ervoor dat personen die niet vertrouwd zijn met het gereedschap of die deze instructies niet hebben gelezen het gereedschap niet gebruiken.** Elektrisch gereedschap is gevaarlijk wanneer het door onervaren personen wordt gebruikt.
  - e) **Onderhoud het elektrisch gereedschap en de accessoires. Controleer of de bewegende onderdelen correct functioneren en niet vastklemmen en of de onderdelen zodanig gebroken of beschadigd zijn dat de werking van het elektrisch gereedschap nadelig wordt beïnvloed. Laat een beschadigd elektrisch gereedschap eerst repareren voordat u het weer in gebruik neemt.** Vele ongevallen zijn het gevolg van slecht onderhouden elektrisch gereedschap.
  - f) **Houd de snij-onderdelen scherp en schoon.** Zorgvuldig onderhouden snij-gereedschap met scherpe snijranden klemt minder snel vast en is gemakkelijker te beheersen.
  - g) **Gebruik het elektrisch gereedschap, accessoires, inzetgereedschap, etc. in overeenstemming met deze instructies en houd hierbij rekening met de werkomstandigheden en de uit te voeren werkzaamheden.** Het gebruik van elektrisch gereedschap voor andere dan de beoogde toepassingen kan tot gevaarlijke situaties leiden.
  - h) **Houd de handgrepen en greepvlakken droog, schoon en vrij van olie en smeervet.** Glibberige handgrepen en greepvlakken maken een veilige omgang en de controle over het elektrisch gereedschap in onverwachte situaties onmogelijk.
- ### 5) ACCU-GEREEDSCHAP GEBRUIKEN EN ONDERHOUDEN
- a) **Opladen alleen met de lader die door de fabrikant is aangegeven.** Een lader die geschikt is voor een bepaald type accupack kan tot brandgevaar leiden wanneer hij gebruikt wordt met een ander accupack.
  - b) **Gebruik elektrisch gereedschap alleen met het specifiek aangegeven accupack.** Het gebruik van andere accupacks kan risico op letsel en brandgevaar veroorzaken.
  - c) **Wanneer u de accu niet gebruikt, houd het uit de buurt van andere metalen voorwerpen zoals paperclips, munten, sleutels, spijkers, schroeven of andere kleine metalen voorwerpen die de twee aansluitklemmen kunnen verbinden.** Het kortsluiten

van de aansluitklemmen kan brandwonden of brand veroorzaken.

- d) **Bij verkeerd gebruik kan er vloeistof uit de accu worden gespoten; vermijd elk contact. Als aanraking met de vloeistof toevallig plaatsvindt, spoel het dan af met water.** Als de vloeistof in de ogen komt, dient u onmiddellijk een arts te consulteren. Vloeistof uit de accu kan irritatie of brandwonden veroorzaken.
- e) **Gebruik een accupack of gereedschap dat is beschadigd of aangepast niet.** Beschadigde of aangepaste accu's kunnen resulteren in onvoorzien gedrag zoals brand, explosie of het risico op letsel.
- f) **Stel een accupack of gereedschap niet bloot aan vuur of excessieve temperaturen.** Blootstelling aan vuur of temperaturen boven 130°C kunnen leiden tot een explosie.
- g) **Neem alle laadinstructies in acht en laad het accupack of het gereedschap niet buiten het gespecificeerde temperatuurbereik in de handleiding op.** Het onjuist laden of bij een temperatuur buiten het temperatuurbereik kan de accu beschadigen en er bestaat een gevaar op brand.
- 6) **SERVICE**
- a) **Laat uw elektrisch gereedschap repareren door een gekwalificeerde reparateur en alleen met identieke reserve-onderdelen.** Dit waarborgt de veiligheid van het elektrisch gereedschap.
- b) **Repareer beschadigde accu's nooit. Onderhoud van accu's mag alleen worden uitgevoerd door de fabrikant of een geautoriseerde dienstverlener.**

## VEILIGHEIDSINSTRUCTIES VOOR BORSTELLOZE CIRKELZAGEN

### VEILIGHEIDSINSTRUCTIES VOOR ALLE ZAGEN

- a) **⚠ GEVAAR: Houd handen uit de buurt van het snijgebied en het zaagblad. Houd uw tweede hand op de extra handgreep of de motorbehuizing.** Als beide handen de zaag vasthouden, kunnen ze niet door de zaag worden gesneden.
- b) **Reik niet onder het werkstuk.** De beschermkap kan u niet beschermen tegen het zaagblad onder het werkstuk.
- c) **Pas de zaagdiepte aan op de dikte van het werkstuk.** Minder dan een volledige tand van de tanden van het zaagblad zouden zichtbaar moeten zijn onder het werkstuk.
- d) **Houd het werkstuk nooit in uw handen of over uw been tijdens het zagen. Bevestig het werkstuk op een stabiel platform.** Het is belangrijk om het werk goed te ondersteunen om blootstelling van het lichaam, het vastlopen van het zaagblad of verlies van controle te minimaliseren.
- e) **Houd het elektrisch gereedschap vast aan de geïsoleerde grepen, als u een handeling uitvoert waarbij het zaaggereedschap in contact kan komen met verborgen bedrading.** Door contact met een onder stroom staande draad kunnen de blootgestelde metalen onderdelen van het elektrisch gereedschap ook onder stroom komen te staan en de gebruiker een elektrische schok geven.
- f) **Gebruik bij het schulpen altijd een parallelle geleider of rechte hoekgeleider.** Dit verbetert de

zaagnauwkeurigheid en vermindert de kans op vastlopen van het zaagblad.

- g) **Gebruik altijd zaagbladen met de juiste grootte en vorm (diamant vs. rond) of asgaten.** Zaagbladen die niet passen op het bevestigingsmateriaal van de zaag lopen niet excentrisch, wat een verlies van controle tot gevolg heeft.
- h) **Gebruik nooit beschadigde of verkeerde sluitringen of bouten.** De sluitringen en bout zijn speciaal ontworpen voor uw zaag, voor optimale prestaties en een veilig gebruik.

## VERDERE VEILIGHEIDSINSTRUCTIES VOOR ALLE ZAGEN

### OORZAKEN VOOR EEN TERUGSLAG EN GERELATEERDE WAARSCHUWINGEN

- een terugslag is een plotselinge reactie op een bekneld, vastgelopen of verkeerd uitgelijnd zaagblad, waardoor een ongecontroleerde zaag omhoog en uit het werkstuk in de richting van de gebruiker wordt getild;
- wanneer het zaagblad stevig wordt bekneld of vastgeklemd doordat de snede naar beneden toe smaller wordt, stopt het zaagblad en duwt de motorreactie de eenheid snel terug richting de bediener;
- als het zaagblad in de snede verdraaid of niet goed uitgelijnd raakt, kunnen de tanden aan de achterrand van het zaagblad in het bovenoppervlak van het hout graven, waardoor het zaagblad uit de zaagsnede beweegt en terugspringt naar de gebruiker.

Een terugslag is het resultaat van het verkeerd gebruik en/of verkeerde bediening of werkomstandigheden van de zaag en kan worden voorkomen door de juiste voorzorgsmaatregelen zoals beneden vermeld te nemen.

- a) **Houd een stevige grip met beide handen op de zaag en plaats uw armen om terugslagkrachten te weerstaan. Plaats uw lichaam aan een zijde van het zaagblad, maar niet in lijn met het zaagblad.** Terugslag kan ervoor zorgen dat de zaag achteruit springt, maar terugslagkrachten kunnen door de bediener worden opgevangen, als de juiste voorzorgsmaatregelen worden genomen.
- b) **Wanneer het zaagblad vastloopt, of wanneer een zaagsnede om welke reden dan ook wordt onderbroken, laat u de schakelaar los en houdt u de zaag stil in het materiaal totdat het zaagblad volledig tot stilstand is gekomen. Probeer nooit om de zaag uit het werkstuk te halen of de zaag naar achteren te trekken terwijl het zaagblad in beweging is, anders kan er een terugslag optreden.** Onderzoek en onderneem corrigerende maatregelen om de oorzaak van het vastlopen van het zaagblad te verhelpen.
- c) **Wanneer u een zaag in het werkstuk opnieuw start, centreert u het zaagblad in de zaagsnede zodat de zaagtanden niet in het materiaal grijpen.** Als een zaagblad vastloopt, kan het omhoog bewegen of terugslaan van het werkstuk wanneer de zaag opnieuw wordt gestart.
- d) **Ondersteun grote panelen om het risico op beknelling van het zaagblad en een terugslag te minimaliseren.** Grote panelen hebben de neiging door

te zakken onder hun eigen gewicht. Er moeten steunen aan beide zijden onder het paneel worden geplaatst, in de buurt van de zaaglijn en bij de rand van het paneel.

- e) **Gebruik geen botte of beschadigde zaagbladen.** Botte of onjuist ingestelde zaagbladen maken een smalle zaagsnede die excessieve wrijving tot gevolg heeft, waardoor het zaagblad vast komt te zitten en een terugslag veroorzaakt.
- f) **De vergrendelingshendels voor het instellen van de zaagbladdiepte en de afschuining moeten goed vast zitten voordat u begint met zagen.** Als de zaagbladinstelling tijdens het zagen verschuift, kan het zaagblad hierdoor vastlopen en een terugslag veroorzaken.
- g) **Wees extra voorzichtig bij het zagen in bestaande muren of andere gebieden waar u niets ziet.** Het uitstekende zaagblad kan voorwerpen zagen die een terugslag kunnen veroorzaken.

#### **FUNCTIE VAN DE ONDERSTE BESCHERMKAP**

- a) **Controleer voor elk gebruik of de onderste beschermkap goed sluit. Gebruik de zaag niet als de onderste beschermkap niet vrij kan bewegen en onmiddellijk sluit. Klem of bind de onderste beschermkap nooit in de open stand vast.** Als de zaag per ongeluk valt, kan de onderste beschermkap verbogen raken. Til de onderste beschermkap op met behulp van de terugtrekhandel en zorg ervoor dat deze vrij kan bewegen en het zaagblad of enig ander onderdeel niet raakt, in alle hoeken en diepten van de zaagsnede.
- b) **Controleer de werking van de onderste beschermveer. Als de beschermkap en de veer niet naar behoren werken, moeten ze voor gebruik worden nagekeken.** De onderste beschermkap kan traag werken als gevolg van beschadigde onderdelen, rubber afzettingen of een opeenhoping van vuil.
- c) **De onderste beschermkap mag alleen handmatig worden ingetrokken voor speciale zaagsneden zoals “invalsnedes” en “samengestelde sneden”. Til de onderste beschermkap op met de terugtrekhandel en zodra het zaagblad in het materiaal komt, moet de onderste beschermkap worden losgelaten.** Voor al het andere zagen moet de onderste beschermkap automatisch werken.
- d) **Let er altijd op dat de onderste beschermkap het zaagblad bedekt voordat u de zaag op een bank of vloer neerzet.** Een onbeschermd, uitlopend zaagblad zorgt ervoor dat de zaag achteruit loopt en zaagt wat er op zijn pad komt. Houd rekening met de tijd die het zaagblad nodig heeft om tot stilstand te komen nadat de schakelaar is losgelaten.

#### **ALGEMEEN**

- Dit gereedschap mag niet worden gebruikt door personen onder de 16 jaar
- Dit gereedschap is niet geschikt voor nat zagen
- **Werk niet met materialen die asbest bevatten** (asbest wordt als kankerverwekkend beschouwd).
- Stof van materiaal zoals loodhoudende verf, sommige houtsoorten, mineralen en metaal kunnen schadelijk zijn (contact met of inademing van de stof kan allergische reacties en/of ademhalingsziekten bij gebruiker of omstanders veroorzaken); **draag een stofmasker en werk met een stofopvangvoorziening als die kan**

#### **worden aangesloten.**

- **Bepaalde soorten stof** zijn geclassificeerd als kankerverwekkend (zoals stof van eiken en beuken), met name in combinatie met toevoegingsmiddelen voor houtverzorging; **draag een stofmasker en werk met een stofopvangvoorziening als die kan worden aangesloten.**
- Volg de stofgerelateerde nationale vereisten voor de materialen waarmee u wilt werken.
- Gebruik deze zaag niet in combinatie met een zaagtafel.
- Verwijder de accu uit het gereedschap voordat u instellingen verandert of een accessoire verwisselt.

#### **ACCESSOIRES**

- SKIL kan alleen een correcte werking van het gereedschap garanderen, indien originele accessoires worden gebruikt.
- Gebruik alleen accessoires met een toegestaan toerental, dat minstens even hoog is als het hoogste onbelaste toerental van het gereedschap.
- Gebruik alleen zaagbladen die voldoen aan de in deze gebruiksaanwijzing vermelde specificaties, volgens EN 847-1 zijn getest en overeenkomstig zijn gemarkeerd.
- Gebruik uitsluitend zaagbladen met een diameter van 165 mm en een asgat van 16 mm.
- Gebruik nooit slijp-/doorslijpschijven met dit gereedschap.

#### **VOOR GEBRUIK**

- Voorkom schade, die kan ontstaan door schroeven, spijkers en andere voorwerpen in uw werkstuk; verwijder deze voordat u aan een karwei begint.
- Verwijder alle obstakels zowel boven als onder het zaagpad voordat u begint met zagen.
- **Zet het werkstuk vast** (een werkstuk, dat is vastgezet met klemmen of in een bankschroef, zit steviger vast dan wanneer het met de hand wordt vastgehouden).
- **Gebruik een geschikt detectieapparaat om verborgen stroom-, gas- of waterleidingen op te sporen of raadpleeg het plaatselijke energie- of waterleidingbedrijf** (contact met elektrische leidingen kan tot brand of een elektrische schok leiden; beschadiging van een gasleiding kan tot een explosie leiden; breuk van een waterleiding veroorzaakt materiële schade en kan tot een elektrische schok leiden).

#### **TIJDENS HET GEBRUIK**

- Het geluidsniveau tijdens het werken kan de 85 dB(A) overschrijden; draag gehoorbescherming
- Gebruik het gereedschap nooit zonder het originele beschermkapsysteem.
- Probeer geen extreem kleine werkstukken te zagen.
- Werk niet boven uw hoofd met het gereedschap.
- In geval van het vastknellen of een elektrische of mechanische storing, het gereedschap onmiddellijk uitschakelen en batterij verwijderen.

#### **NA GEBRUIK**

- Als u het gereedschap weg legt, moet de motor uitgeschakeld zijn en alle bewegende delen tot stilstand zijn gekomen.
- Nadat u uw cirkelzaag hebt uitgeschakeld, mag u de rotatie van het zaagblad nooit stoppen door een zijdelingse kracht die erop wordt uitgeoefend.

#### **ACCU**

- **De meegeleverde accu, wanneer aanwezig, is deels opgeladen** (om een volledige capaciteit van de accu te garanderen, moet u de accu volledig opladen in de oplader voordat u uw elektrische gereedschap voor de eerste keer gebruikt)

- **Gebruik uitsluitend de volgende accu's en opladers voor dit gereedschap**
  - SKIL-accu: BR1\*31\*\*\*\*
  - SKIL-lader: CR1\*31\*\*\*\*
- Gebruik de accu niet wanneer deze beschadigd is; vervang deze onmiddellijk
- Haal de accu niet uit elkaar.
- Stel het gereedschap/de batterij niet bloot aan regen.
- Toegestane omgevingstemperatuur (gereedschap/lader/accu):
  - tijdens het laden 4...40°C
  - tijdens het gebruik -20...+50°C
  - tijdens de opslag -20...+50°C

#### UITLEG VAN SYMBOLEN OP HET GEREEDSCHAP

- ③ Lees de gebruiksaanwijzing vóór gebruik
- ④ Accu's kunnen exploderen wanneer ze in vuur worden gegooid, dus verbrand de accu om welke reden dan ook niet
- ⑤ Bewaar het gereedschap/oplader/batterij op een plaats, waar de temperatuur niet hoger dan 50°C kan worden
- ⑥ Geef elektrisch gereedschap en de accu's niet met het huisvuil mee

## GEBRUIK

- Accu opladen
  - ! lees de veiligheids waarschuwingen en -voorschriften die bij de oplader worden geleverd
- Verwijderen/installeren van de accu ②
- Accuniveau-indicator ⑦
  - druk op de batterijniveau-indicator knop AB om het huidige batterijniveau ⑦a aan te geven
  - ! als de laagste batterijniveau-indicator begint te knippen na het drukken van de knop AB ⑦b, is de batterij leeg
  - ! Als 2 niveaus van de batterij-indicator beginnen te knippen na het drukken van knop AB ⑦c, bevindt de batterij zich niet binnen het toegestane temperatuurbereik voor gebruik
- Schaduwlijn LED-licht ⑧
 

Uw gereedschap is uitgerust met een schaduwlijn LED-licht onder de bovenste beschermkap.

Dit zorgt voor extra verlichting op het zaagblad en het oppervlak van het werkstuk.

Het LED-licht projecteert een schaduw van het zaagblad om het gereedschap langs de gewenste zaaglijn te leiden die op het werkstuk is gemarkeerd.

! altijd eerst uitproberen op een stuk afvalmateriaal

Het LED-licht gaat automatisch aan als u de drukschakelaar lichtjes indrukt. Hij gaat ongeveer 10 seconden nadat de drukschakelaar is losgelaten weer uit.

! het LED-licht knippert snel als het gereedschap en/of accupack overbelast raken of te heet worden en de interne sensoren schakelen het gereedschap uit. Laat het gereedschap een poosje afkoelen en plaats het gereedschap en de accu apart onder een luchtstroom om ze af te koelen.

! het LED-licht knippert langzamer om aan te geven dat het laadvermogen van de accu laag is. Laad de accu op.

De LED-reinigingsdraaiknop X, ingebouwd in de bovenste beschermkap, is ontworpen om het LED-licht te reinigen. Wanneer het LED-licht zwakker wordt vanwege het zaagsel dat zich heeft opgehoopt, draai de

- LED-reinigingsdraaiknop X in een willekeurige richting om het zaagsel te verwijderen en het LED-licht weer helder te maken.
- Accubescherming
 

Het gereedschap wordt plotseling uitgeschakeld of kan niet worden ingeschakeld, wanneer:

  - de belasting is te hoog --> verwijder de belasting en start opnieuw
  - de temperatuur van de batterij ligt niet binnen het toegestane bedrijfstemperatuurbereik van -20 tot +50°C --> 2 niveaus van de batterijniveau-indicator beginnen te knippen als er op knop AB ⑦c wordt gedrukt; wacht tot de batterij weer binnen het toegestane bedrijfstemperatuurbereik zit
  - de batterij bijna leeg is (ter bescherming tegen diepe ontlading) --> er wordt een laag batterijniveau of knipperend batterijniveau ⑦b aangegeven door de batterijniveau-indicator als er op knop AB wordt gedrukt; batterij opladen

! blijf niet op de aan/uit-schakelaar drukken nadat het gereedschap automatisch is uitgeschakeld; de accu kan beschadigd raken
- Het zaagblad AA aanbrengen ②
  - ! verwijder de accu uit het gereedschap
  - neem binnenzeskantsleutel A uit opslag B
  - druk op asvergrendelknop C en houd deze ingedrukt terwijl u bout D verwijderd door binnenzeskantsleutel MET DE KLOK MEE te draaien (= in de richting van de pijl op het zaagblad)
  - ! druk de asvergrendelknop C alleen in als het gereedschap helemaal stilstaat
  - laat asvergrendelknop C los
  - verwijder flens E
  - ! zorg ervoor, dat het klemoppervlak H van de flenzen perfect schoon zijn en naar het zaagblad wijzen
  - open onderste beschermkap F met hendel G en houd deze vast terwijl u het zaagblad monteert met de zaagtanden en de pijl op het zaagblad in dezelfde richting wijzend als de pijl op de onderste beschermkap
  - laat onderste beschermkap F los
  - monteer flens E
  - druk asvergrendelknop C in en houd deze vast terwijl u de bout D eerst handvast draait, en hem met de binnenzeskantsleutel nog 1/8 slag verder vastdraait (zorgt voor slippen van het zaagblad wanneer dit grote weerstand ondervindt, waardoor kans op overbelasting van de motor en machine-terugslag kleiner wordt)
  - laat asvergrendelknop C los
- Instellen zaagdiepte (0-57 mm) ⑨
  - draai knop L los
  - breng voetplaat J omhoog/omlaag totdat de gewenste zaagdiepte op de schaal is ingesteld met behulp van zaagdiepte-indicator L
  - draai knop K vast
  - voor een optimale zaagkwaliteit mag het zaagblad niet meer dan één tand onder het werkstuk uitsteken
- Instellen van de zaaghoek (0-45°) ⑩
  - draai knop M los
  - kantel het gereedschap totdat de gewenste zaaghoek op de schaal is ingesteld met behulp van zaaghoek-indicator N
  - draai knop M vast



**! bij verstekzagen correspondeert de zaagdiepte niet met de waarde op de zaagdiepte-schaal**

- Zaaglijn-indicator Q <sup>(11)</sup>
  - voor het geleiden van het gereedschap langs de gewenste zaaglijn gemarkeerd op het werkstuk
  - gebruik voor een rechte 0° zaaglijn of een 45° schuine zaaglijn de betreffende indicatorlijn

**! laat brede gedeelte van voet op ondersteunde gedeelte van werkstuk rusten**

**! breedte van zaagsnede wordt bepaald door dikte van zaagtanden en niet door dikte van zaagblad zelf**

**! altijd eerst uitproberen op een stuk afvalmateriaal**

- Stofafzuiging <sup>(12)</sup>

Bevestig de stofzuigeraansluitstuk R aan de stofopvang aansluiting Q met behulp van de kruiskopschroef

Voor gebruik van stofzuiger

  - sluit de stofzuigerslang aan op de stofzuigeradapter R

**! laat de stofzuigerslang nooit het openen van de onderste beschermkap F of het zagen belemmeren**

Stofzak

- Stofzak AC monteren \*NIET STANDAARD INBEGREPEN

- Werken met het gereedschap
  - installeer de accu
  - houd achterste handgreep S altijd stevig vast met één hand en voorste handgreep T stevig met de andere hand
  - plaats het gereedschap met de voorkant van de voet vlak op het werkstuk

**! zorg dat de zaagtanden het werkstuk niet raken**

- zet de machine aan door eerst op veiligheidsschakelaar W te drukken en daarna aan de drukschakelaar V te trekken

**! het zaagblad moet eerst op volle snelheid zijn voordat u het in het werkstuk leidt**

- onderste beschermkap F opent automatisch als het zaagblad in het werkstuk gaat (open onderste beschermkap alleen handmatig met hendel G voor speciale zaagsnedes zoals inval-zaagsnedes)

**! forceer de machine niet (oefen lichte en constante druk uit om oververhitting van de zaagbladpunten te voorkomen)**

- schakel het gereedschap uit na het maken van de zaagsnede door de drukschakelaar V los te laten

**! zorg ervoor, dat het zaagblad compleet tot stilstand is gekomen, voordat u het gereedschap van het werkstuk tilt**

## TOEPASSINGSADVIES

- Houd de goede kant van het werkstuk altijd naar beneden gericht om minimale afsplintering te waarborgen.
- Gebruik alleen scherpe zaagbladen van het juiste type <sup>(13)</sup>
  - Zaagkwaliteit neemt toe met het aantal tanden
  - Zaagbladen met hardmetalen tanden blijven tot 30 maal langer scherp dan gewone zaagbladen
- Dwarssneden/Langsneden <sup>(14)</sup>

Dwarssneden of langsneden zijn eenvoudig te maken met een breedtegeleider Y.

  - breng de richtlijn op één lijn met de 0° zaaglijnindicator

P op de voet

- steek een breedtegeleider Y door de sleuven aan weerszijden van de voet tot de gewenste breedte en zet vast met de knop Z

**! zorg ervoor dat de breedtegeleider de vrije beweging van de onderste beschermkap en het zaagblad niet hindert**

- Invallend zagen <sup>(15)</sup>
  - Gewenste zaagdiepte instellen
  - Kantel het gereedschap naar voren met zaaglijn-indicator P op één lijn met de op het werkstuk aangegeven gewenste zaaglijn
  - Open de onderste beschermkap F met hendel G
  - Net voordat het blad in het werkstuk komt, schakelt u het gereedschap in en laat u geleidelijk het achterste uiteinde van het gereedschap zakken met het voorste uiteinde van de voet als scharnierpunt
  - Beweeg het gereedschap geleidelijk zowel naar beneden als naar voren
  - Zodra het zaagblad in het materiaal gaat, laat u hendel G los

**! de machine nooit naar achteren trekken**

- Zagen van grote panelen <sup>(16)</sup>
  - Steunpaneel dicht bij de snede op vloer, tafel of werkbank

**! stel zaagdiepte zo in, dat u door paneel en niet door de ondersteuning zaagt**

- Indien de breedtegeleider de gewenste zaagbreedte niet aankan, klem of spijker een recht stuk hout op werkstuk als een geleider, en gebruik de rechterkant van de voet tegen deze geleider <sup>(17)</sup>

- Zagen met een geleiderail <sup>(19)</sup>

\*NIET STANDAARD INBEGREPEN

Het gebruik van een geleiderail biedt nauwkeurige, rechte en nauwkeurige zaagsnedes, zowel bij zaagsnedes tegen een hoek van 45° als 90°.

Voordat de eerste zaagsnede met de geleiderail wordt gemaakt, pas de rubberen lip aan de gebruikte cirkelzaag aan.

- voor een rechte zaagsnede van 90°, breng de 90° schuine kant van de rail AD (of de 45° schuine kant bij het maken van een 45° schuine zaagsnede) op één lijn met de gewenste zaaglijn die op het werkstuk is gemarkeerd

- maak de geleiderail AD stevig op het werkstuk vast met behulp van de klemmen voor geleiderail AE <sup>(18)</sup> \*NIET STANDAARD INBEGREPEN

- schuif de zaag op de geleiderail AD, zorg ervoor dat de zaag vrij over de rail kan glijden zonder zijwaarts te zwaaien.

- Houd bij het instellen van de zaagdiepte rekening met de dikte van de geleiderail AD.

- leid de zaag gelijkmatig met een trage toevoersnelheid door het uiteinde van de geleiderail AD.

- Voor meer informatie zie [www.skil.com](http://www.skil.com)

## ONDERHOUD/SERVICE

- Deze machine is niet bedoeld voor professioneel gebruik.
- Houd het gereedschap altijd schoon.
  - ! verwijder voor het reinigen de accu uit het gereedschap**
- Houd het gebied rondom de onderste beschermkap F <sup>(2)</sup> altijd schoon (verwijder stof en splinters met behulp van

perslucht of een borstel).

- Maak het zaagblad direct na gebruik schoon (vooral van hars en lijm).
- Als het gereedschap ondanks de zorgvuldige fabricage- en testprocedures defect raakt, moet de reparatie worden uitgevoerd door een after-sales servicecentrum voor elektrisch gereedschap van SKIL.
  - stuur het gereedschap niet gedemonteerd, samen met het aankoopbewijs, naar het verkoopadres of het dichtstbijzijnde SKIL service-station (de adressen evenals de onderdeeletekening van de machine vindt u op [www.skil.com](http://www.skil.com))
- Denk eraan, dat beschadigingen als gevolg van overbelasting of onjuist gebruik van het gereedschap niet onder de garantie vallen (voor de garanti voorwaarden van SKIL zie [www.skil.com](http://www.skil.com) of raadpleeg uw dealer).

## MILIEU

Alleen voor EU-landen

- **Geef elektrisch gereedschap, accessoires en verpakkingen niet met het huisvuil mee**
    - volgens de Europese richtlijn 2012/19/EG inzake oude elektrische en elektronische apparaten en de toepassing daarvan binnen de nationale wetgeving, dient afgedankt elektrisch gereedschap gescheiden te worden ingezameld en te worden afgevoerd naar een recycle-bedrijf, dat voldoet aan de geldende milieu-eisen
    - symbool  zal u eraan herinneren als u het gereedschap moet afanken
- ! bescherm de accu-contacten met stevig plakband voordat ze afgedankt worden, om kortsluiting te voorkomen**


## GELUID/TRILLING

- Gemeten in navolging van EN 62841 is het geluidsdruk-niveau van dit gereedschap 94 dB(A) en het geluidsvermogensniveau 102 dB(A) (onzekerheid K = 3 dB), en de trilling <math>2,5 \text{ m/s}^2</math> (triax vector som; onzekerheid K = 1,5  $\text{m/s}^2$ )
  - Het trillingsemisssieniveau is gemeten in overeenstemming met een gestandaardiseerde test volgens EN 62841; deze mag worden gebruikt om twee machines met elkaar te vergelijken en als voorlopige beoordeling van de blootstelling aan trilling bij gebruik van de machine voor de vermelde toepassingen
    - gebruik van het gereedschap voor andere toepassingen, of met andere of slecht onderhouden accessoires, kan het blootstellingsniveau **verhogen**.
    - wanneer de machine is uitgeschakeld of wanneer deze loopt maar geen werk verricht, kan dit het blootstellingsniveau aanzienlijk **reduceren**.
- ! bescherm uzelf tegen de gevolgen van trilling door het gereedschap en de accessoires te onderhouden, uw handen warm te houden en uw werkwijze te organiseren**

S

## Borstlös cirkelsåg INTRODUKTION

3551

- Detta verktyg är avsett för långsgående och tvärgående kapning av trä med raka sågningar samt vinkelsågningar upp till 45°
- Det här verktyget är inte avsedd för yrkesmässig användning
- Läs igenom och spara denna bruksanvisning 


## TEKNISKA DATA

### MASKIN ELEMENT

- A Insexnyckel
  - B Förvaring för insexnyckel
  - C Spindellåsknapp
  - D Bult
  - E Fläns
  - F Nedre skydd
  - G Spak för att öppna undre skydd
  - H Fastklämningsyta
  - J Fotplatta
  - K Knapp för inställning av sågdjup
  - L Indikator sågdjup
  - M Knapp för justering av sågningsvinkel
  - N Indikator sågvinkel
  - P Såglinjeindikator
  - Q Dammutslagningsuttag
  - R Dammsugaradapter
  - S Bakre handtag
  - T Främre handtag
  - U Spår för styrskena
  - V Avtryckare
  - W Säkerhetsomkopplare
  - X LED-rengöringsratt
  - Y Parallell guide
  - Z Knopp för justering av parallellanslag
  - AA Sågblad
  - AB ABatteriindikator
  - AC ADampåse\*
  - AD AStyrskena\*
  - AE AStyrskenans klämma\*
- \* INGÅR EJ SOM STANDARD

## SÄKERHET

### ALLMÄNNA VARNINGAR FÖR MASKINSÄKERHET

 **WARNING** Läs igenom alla säkerhetsvarningar, instruktioner, illustrationer och specifikationer som medföljer detta elverktyg. Underlåtenhet att följa alla instruktioner som listas nedan kan resultera i elektriska stötar, brand och/eller allvarliga personskadador.

**Spara alla varningar och instruktioner för framtida referens**

Termen "elverktyg" i varningarna syftar på ditt eldrivna (sladdanslutna) elverktyg eller batteridrivna (sladdlösa) elverktyg.

### 1) ARBETSPLATSSÄKERHET

- Håll arbetsområdet rent och ordentligt upplyst.** Belamrade eller mörka områden inbjuder till olyckor.
- Använd inte elverktyg i explosiva miljöer som t.ex. i**

- närvaron av brandfarliga vätskor, gaser eller damm. Elverktyg skapar gnistor vilka kan antända dammet eller ångorna.
- c) **Håll barn och åskådare borta medan elverktyg arbetar.** Störningarna kan göra att du tappar kontrollen.
  - 2) **ELEKTRISK SÄKERHET**
  - a) **Elverktygets kontakter måste matcha uttaget. Modifiera aldrig kontakten på något sätt.** Använd inte någon adapterkontakt med motordrivna verktyg som är jordade. Stickkontakter som inte modifierats och passar i eluttaget minskar risken för elektriska stötar.
  - b) **Undvik kroppskontakt med jordanslutna eller jordade ytor såsom rör, värmeelement, spisar och kylskåp.** Det finns en ökad risk för elektrisk stöt om din kropp är jordanslutna eller jordad.
  - c) **Utsätt inte elverktyg för regn eller våta förhållanden.** Vatten som kommer in i ett elektriskt verktyg ökar risken för elektriska stötar.
  - d) **Vanvärda inte sladden. Använd aldrig kabeln för att bära, släpa eller dra ut kontakten för elverktyget.** Håll kabeln borta från värme, olja, skarpa kanter och rörliga delar. Skadade eller tilltrasslade sladdar ökar risken för elektrisk stöt.
  - e) **Vid användning av motordrivna verktyg utomhus, använd en förlängningskabel som är avsedd för utomhusbruk.** Användning av en sladd som passar för utomhusanvändning minskar risken för elektrisk stöt.
  - f) **Om du måste använda ett motordrivet verktyg i en fuktig miljö, använd en jordfelsbrytare.** En jordfelsbrytare minskar risken för elektriska stötar.
  - 3) **PERSONLIG SÄKERHET**
  - a) **Var uppmärksam och observant samt använd sunt förnuft när du använder ett elverktyg. Använd inte ett motordrivet verktyg om du är trött eller under påverkan av droger, alkohol eller medicin.** Ett ögonblick av uppmärksamhet under arbete med elverktyg kan resultera i allvariga personskador.
  - b) **Använd personlig skyddsutrustning. Använd alltid skyddsglasögon.** Minska risken för personskador genom att använda skyddsutrustning som t.ex. ansiktsmask, halkfria skyddsskor, hjälm och hörselskydd.
  - c) **Förebygg oavsiktlig igångsättning. Se till att strömbrytaren är i frånläge innan du ansluter till strömkällan och/eller batteripaketet, plockar upp eller bär verktyget.** Att bära elverktyget med fingret på strömbrytaren eller verktyg som är påslagna inbjuder till olyckor.
  - d) **Ta bort inställningsnycklar eller skiftnycklar innan elverktyget slås på.** En skiftnyckel eller en nyckel som sitter kvar på en roterande del av elverktyget kan resultera i personskada.
  - e) **Sträck dig inte för långt. Ha ordentligt fotfäste och balans hela tiden.** Detta möjliggör bättre kontroll av elverktyget i oväntade situationer.
  - f) **Klä dig på lämpligt sätt. Använd inte löst sittande kläder eller smycken. Håll hår och klädsel på avstånd från de rörliga delarna.** Löst sittande kläder, smycken och långt hår kan fastna i de rörliga delarna.
  - g) **Om enheter har anslutning för dammuppsamlare och anslutningsmöjligheter, se till att de är anslutna och används på korrekt sätt.** Användning av dammuppsamlare kan minska dammrelaterade faror.
  - h) **Var alltid uppmärksam vid användning av verktyget,**
- även efter många användningstillfällen, och ignorera inte verktygets säkerhetsprinciper. En vårdslös handling kan orsaka allvariga personskador inom bråkdelen av en sekund.
- 4) **ANVÄNDNING OCH SKÖTSEL AV ELVERKTYG**
  - a) **Tvinga inte elverktyget. Använd ett korrekt elverktyg för ditt arbete.** Ett korrekt elverktyg utför jobbet bättre och säkrare om det används för rätt arbete.
  - b) **Använd inte elverktyget om strömbrytaren inte kan slås på eller stängas av.** Ett elverktyg som inte kan kontrolleras med strömbrytaren är farligt och måste repareras.
  - c) **Koppla ur stickkontakten från strömkällan och/eller ta bort batteripaketet, om det är löstagbart, från elverktyget innan du utför justeringar, byter tillbehör eller förvarar elverktyget.** Dessa förebyggande säkerhetsåtgärder minskar risken för att elverktyget startas oavsiktligt.
  - d) **Förvara elverktyg som går på tomgång utom räckhåll för barn och låt inte personer som är ovana med elverktyget eller dessa instruktioner använda elverktyget.** Elverktyg är farliga i händerna på utbildade användare.
  - e) **Underhåll av elverktyg och tillbehör. Kontrollera felinställningar eller om rörliga delar har fastnat, bristning hos delar och andra eventuella förhållanden som kan komma att påverka elverktygets funktion. Om skadad, lämna in elverktyget för reparation innan det används.** Många olyckor beror på dåligt underhållna elverktyg.
  - f) **Håll kapverktyg vassa och rena.** Ordentligt underhållna kapverktyg med vassa sågkanter är mindre sannolika att fastna och är lättare att kontrollera.
  - g) **Använd elverktyget, tillbehör, verktygsbits osv. i enlighet med dessa instruktioner och ta hänsyn till arbetsförhållanden och det arbete som ska utföras.** Om elverktyget används för andra tillämpningar än det är avsett för kan det resultera i farliga situationer.
  - h) **Håll handtagen och greppytorna torra, rena och fria från olja och fett.** Hala handtag och greppytor förhindrar säker hantering och kontroll av verktyget vid oväntade situationer.
  - 5) **ANVÄNDNING OCH SKÖTSEL AV BATTERIDRIVET VERKTYG**
  - a) **Ladda endast med den laddare som rekommenderas av tillverkaren.** En laddare som är lämplig för en typ av batteripaket kan skapa en risk för brand när den används med ett annat batteripaket.
  - b) **När endast elverktyg med deras särskilt avsedda batteripaket.** Användning av andra batteripaket kan medföra risk för personskador och eld.
  - c) **När batteripaketet inte används, håll det borta från metallobjekt som t.ex. pappersgem, mynt, nycklar, spikar, skruvar och andra små metallobjekt som kan bilda en anslutning från en batterikontakt till den andra.** Kortslutning av batteriets terminaler kan orsaka brännskador eller en brand.
  - d) **Under olämpliga förhållanden kan vätska spruta ut från batteriet. Undvik kontakt.** Vid oavsiktlig kontakt, spola med vatten. Om vätskan kommer i kontakt med ögonen, sök också läkarhjälp. Vätska som sprutar ur batteriet kan orsaka sår och brännskador.
  - e) **Använd inte ett batteripaket eller verktyg som**

skadats eller modifierats. Skadade eller modifierade batterier kan leda till oförutsägbart uppträdande som leder till brand, explosion eller risk för personskador.

- f) **Utsätt inte batteripaketet eller verktyget för eld eller extrema temperaturer.** Exponering av eld eller temperaturer över 130 °C kan orsaka explosion.
- g) **Följ alla laddningsinstruktioner och ladda inte batteripaketet eller verktyget utanför det temperaturområde som anges i instruktionerna.** Felaktig laddning eller vid temperaturer utanför angivet temperaturområde kan skada batteriet och ökar risken för brand.
- 6) **SERVICE**
  - a) **Lämna ditt elverktyg för service hos en kvalificerad servicetekniker som endast använder identiska utbytesdelar.** Det garanterar att säkerheten hos elverktygets bibehålls.
  - b) **Utför aldrig service på skadade batteripaket. Service av batteripaket bör endast utföras av tillverkaren eller auktoriserade serviceverkstäder.**

## SÄKERHETSINSTRUKTIONER FÖR BORSTLÖSA CIRKELSÅGAR

### SÄKERHETSANVISNINGAR FÖR ALLA SÅGAR

- a) **FARA: Håll händerna borta från sågområdet och klingan. Håll din andra hand på hjälphandtaget eller motorhuset.** Om båda händerna håller i sågen kan de inte skåras av klingan.
- b) **Sträck dig inte under arbetsstycket.** Skyddet kan inte skydda dig från klingan under arbetsstycket.
- c) **Justera sågdjupet efter arbetsstyckets tjocklek.** Mindre än en hel tand på klingtänderna ska synas under arbetsstycket.
- d) **Håll aldrig arbetsstycket i händerna eller över benet medan du sågar. Fäst arbetsstycket på en stabil plattform.** Det är viktigt att stödja arbetet ordentligt för att minimera kroppsexponering, klingkärvning eller tappad kontroll.
- e) **Håll endast elverktyget i de isolerade greppyrtorna när arbete utförs där sågtillbehöret kan komma i kontakt med dolda elledningar.** Om sågklingan kommer i kontakt med en strömförande ledning kan de exponerade metalldelarna på elverktyget bli strömförande, vilket kan resultera i att operatören utsätts för elektriska stötar.
- f) **Använd alltid ett klyvanslag eller rak kantstyrning vid klyvning.** Detta förbättrar sågningens noggrannhet och minskar risken för klingkärvning.
- g) **Använd alltid sågklingor med korrekt storlek och form (diamant jämfört med rund) på centrumhålen.** Sågklingor som inte matchar monteringshårdvaran på sågen kommer att köras excentriskt och göra att kontrollen förloras.
- h) **Använd aldrig skadade eller felaktiga klingbrickor eller bultar.** Klingbrickorna och bulten var speciellt utformade för din såg för optimal prestanda och driftsäkerhet.

### YTTERLIGARE SÄKERHETSANVISNINGAR FÖR ALLA SÅGAR

## REKYLORSAKER OCH RELATERADE VARNINGAR

- rekyl är en plötslig reaktion på ett klämt, fastnat eller felriktad sågklinga, vilket får en okontrollerad såg att lyfta upp och ut ur arbetsstycket mot operatören;
- när klingan kläms fast eller kläms fast genom att tappen stängs, stannar klingan och motorreaktionen driver enheten snabbt tillbaka mot operatören;
- om klingan blir vriden eller feljusterade i snittet kan tänderna på klingans bakkant gräva in i träets ovsida vilket gör att klingan klättrar ur tappen och hoppar tillbaka mot operatören.

Rekyl är resultatet av felanvändning av verktyget och/eller felaktiga arbetsprocedurer eller arbetsförhållanden och kan undvikas genom att vidta ordentliga försiktighetsåtgärder så som beskrivs här nedan:

- a) **Håll ett stadigt grepp om sågen och placera dina armar för att stå emot rekylkrafter. Placera din kropp på ena sidan av klingan, men inte i linje med klingan.** Rekyl kan få sågen att hoppa bakåt, men rekylkrafterna kan kontrolleras av operatören om lämpliga försiktighetsåtgärder vidtas.
- b) **När klingan kärvar, eller när ett snitt avbryts av någon anledning, släpp avtryckaren och håll sågen orörlig i materialet tills klingan stannar helt. Försök aldrig att ta bort sågen från arbetet eller dra sågen bakåt medan klingan är i rörelse eller det kan uppstå rekyl.** Undersök och vidta korrigerande åtgärder för att eliminera orsaken till klingkärvning.
- c) **När du startar om en såg i arbetsstycket, centrerar du sågklingan i tappen så att sågtänderna inte fastnar i materialet.** Om en sågklinga kärvar kan det gå upp eller backa från arbetsstycket när sågen startas om.
- d) **Stöd stora panelskivor för att minimera risken för klämning av klingor och rekyl.** Stora panelskivor tenderar att sjunka under sin egen vikt. Stöd måste placeras under panelen på båda sidor, nära snittlinjen och nära panelens kant.
- e) **Använd inte slöa eller skadade blad.** Slöa eller felaktigt inställda sågklingor ger ett smalt sågspår vilket skapar överdriven friktion, kårande klinga och rekyl.
- f) **Låsspakar för klingdjup och fassägningsinställning måste vara åtdragna och säkra innan snittet görs.** Om klingjusteringen ändras under sågningen kan det orsaka kärvning och rekyl.
- g) **Var extra försiktig vid sågning i befintliga väggar eller andra blinda områden.** Den utskjutande klingan kan såga föremål som kan orsaka rekyl.

## NEDRE SKYDDSFUNKTION

- a) **Kontrollera att det nedre skyddet stänger ordentligt före varje användning. Använd inte sågen om det nedre skyddet inte rör sig fritt och stängs direkt. Kläm eller bind aldrig det nedre skyddet i öppet läge.** Om sågen tappas av misstag kan det nedre skyddet böjas. Hög det nedre skyddet med infällningshandtaget och se till att det rör sig fritt och inte vidrör klingan eller någon annan del, i alla vinklar och sågdjup.
- b) **Kontrollera den nedre skyddsfjäders funktion. Om skyddet och fjädern inte fungerar korrekt måste de underhållas före användning.** Nedre skydd kan fungera trögt på grund av skadade delar, gummiavlagringar eller ansamling av skräp.
- c) **Det undre skyddet får dras in manuellt endast**

för speciella sågningar som "instickssågningar" och "sammansatta snitt". Lyft det nedre skyddet med det infällbara handtaget och så snart klingan kommer in i materialet måste det nedre skyddet släppas. För all annan sågning ska det nedre skyddet fungera automatiskt.

- d) **Se alltid till att det nedre skyddet täcker klingan innan du lägger ner sågen på bänk eller golv.** En oskyddad, snurrande klinga kommer att få sågen att gå bakåt och säga vad som än är i dess väg. Var medveten om den tid det tar innan klingan stannar efter att omkopplaren släppts.

#### ALLMÄNT

- Detta verktyg ska inte användas av personer under 16 år.
- Detta verktyg är inte lämpligt för vätkaopning
- **Arbeta inte material som innehåller asbest** (asbest anses vara cancerframkallande).
- Viss typ av damm, exempelvis färg som innehåller bly, vissa träsorter, mineraler och metaller kan vara hälsovådliga om de inhaleras (hudkontakt eller inhalering kan ge allergisk reaktion och/eller luftvägsproblem/sjukdom hos personer i närheten); **använd andningsskydd och arbeta med en dammuppsamlare om sådan anslutning finns**
- Vissa typer av damm är klassificerade så som cancerframkallande (t.ex. ek- och björkdamm) särskilt i kombination med tillsatser för träbehandling; **använd andningsskydd och arbeta med en dammuppsamlare om sådan anslutning finns**
- Följ de dammrelaterade nationella kraven för de material du vill arbeta med
- Använd inte denna såg i kombination med ett sågbord.
- Ta bort batteriet från verktyget innan du gör några justeringar eller byter tillbehör

#### TILLBEHÖR

- SKIL kan endast garantera att maskinen fungerar felfritt om originaltillbehör används.
- Använd endast tillbehör vilkas tillåtna varvtal åtrinstone motsvarar verktygets högsta tomgångsvarvtal
- Använd endast sågklingor som motsvarar de i instruktionsboken angivna specifikationerna, som testats och märkts enligt EN 847-1.
- Använd endast sågblad med diameter 165 mm och ett spindelhål på 16 mm.
- Använd aldrig slip/kapskivor med detta verktyg.

#### FÖRE ANVÄNDNING

- Undvik skador genom att ta bort skruvar, spikar eller andra föremål ur arbetsstycket; ta dem bort innan du startar ett arbete.
- Ta bort alla hinder ovanpå och under sågbanan innan du börjar såga.
- **Sätt fast arbetsstycket** (ett arbetsstycke fastsatt med skruvtingar eller i ett skruvstöd är mera stabilt än om det hålls fast för hand)
- **Använd lämpliga detektorer för lokalisering av dolda försörjningsledningar eller konsultera lokalt distributionsföretag** (kontakt med elledningar kan förorsaka brand och elstöt; en skadad gasledning kan leda till explosion; borring i vattenledning kan förorsaka egendomsskador eller elstöt)

#### UNDER ANVÄNDNING

- Ljudnivån vid arbete kan överstiga 85 dB(A); använd hörselskydd
- Använd aldrig verktyget utan original skyddssystem.
- Försök inte såga extremt små arbetsstycken.

- Arbeta inte över huvudet med verktyget.
- I händelse av fastklämning eller elektriska eller mekaniska funktionsfel, stäng genast av maskinen och ta bort batteriet.

#### EFTER ANVÄNDNING

- Innan du lägger ned verktyget, stäng av motorn och se till att alla rörliga delar har stannat helt.
- Efter att ha stängt av verktyget, stoppa aldrig rotationen av tillbehöret med en kraft från sidan

#### BATTERIER

- **Det medföljande batteriet, om något, är delvis laddat** (i syfte att garantera batteriets fulla kapacitet ska det laddas fullt i batteriladdaren innan verktyget används för första gången)
- **Använd endast följande batterier och laddare med det här verktyget**
  - SKIL-batteri: BR1\*31\*\*\*\*
  - SKIL-laddare: CR1\*31\*\*\*\*
- Använd aldrig batteriet när det är skadat; det skall omedelbart bytas ut.
- Demontera inte batteriet.
- Utsätt inte verktyget/batteriet för regn.
- Tillåten omgivningstemperatur (verktyg/laddare/batteri):
  - vid laddning 4...40 °C
  - vid drift -20...+50 °C
  - vid förvaring -20...+50 °C

#### FÖRKLARING AV SYMBOLER PÅ VERKTYG

- ③ Läs bruksanvisningen före användning
- ④ Batterierna kan explodera om de utsätts för eld så bränn inte batteriet av något skäl
- ⑤ Förvara verktyget/laddaren/batteriet i lokaler, där temperaturen inte överstiger 50 °C
- ⑥ Kasta inte elektriska verktyg och batterier i hushållssoporna

## ANVÄNDNING

- Ladda batteri
- **! läs säkerhetsvarningarna och anvisningarna som medföljde laddaren**
- Borttagning/installation av batteriet ②
- Batterinivåindikator ⑦
  - tryck på indikatorknappen AB för batterinivå för att visa aktuell batterinivå ⑦a
  - **! när den lägsta nivån hos batteriindikatorn börjar blinka efter att knappen AB ⑦b, är batteriet tomt**
  - **! när två nivåer av batteriindikatorn börjar blinka efter att knappen AB ⑦c trycks in är inte batteriet inom tillåtet drifttemperaturområde**
- Skugglinje LED-ljus ⑧
  - Ditt verktyg är utrustat med en skugglinje LED-lampa placerad under det övre skyddet.
  - Detta ger ytterligare belysning på sågbladet och arbetsstyckets yta.
  - LED-lampor projicerar en skugga av sågbladet för att styra verktyget längs önskad skärinje markerad på arbetsstycket.
  - **! testa alltid först på ett överblivet material**
  - LED-lampan tänds automatiskt med ett litet tryck på avtryckaren. Den stängs av efter ungefär 10 sekunder efter att avtryckarens släpps.
  - **! LED-lampan kommer att blinka snabbt när verktyget och/eller batteripaketet blir överbelastat eller alltför hett och en interna sensor kommer att stänga av verktyget. Låt verktyget vila en**

**stund eller placera verktyget och batteripaketet separerade under luftflöde för att de skall svalna.**

**! LED-lampan blinkar långsammare för att indikera att batteripaketets laddningsnivå är låg. Ladda batteripaketet.**

LED-rengöringsrattan X inbyggd i det övre skyddet är utformad för att rengöra LED-lampan. När LED-lampan blir svag på grund av sågspånet som samlats på den, vrid LED-rengöringsrattan X i valfri riktning för att ta bort sågspånet och få LED-lampan att lysa igen.

- Batteriskydd  
Verktyget stängs plötsligt av eller förhindras från att slås på, när
  - **belastningen är alltför hög** --> ta bort belastning och starta om
  - **batteriets temperatur är inte inom tillåtet drifttemperaturområde på -20 till +50 °C** --> två nivåer på batteriindikatorns nivåindikator börjar blinka när knappen AB ⑦c; vänta tills batteriet har återgått till tillåtet drifttemperaturområde
  - **batteriet är nästan tomt (för att skydda mot djup urladdning)** --> en låg batterinivå eller blinkande låg batterinivå ⑦b visas av indikatorn för batterinivån när knappen AB trycks in; ladda batteriet
- ! fortsätt inte trycka på strömbrytaren efter att verktyget stängts av automatiskt; batteriet kan skadas**
- Montering av sågbladet AA ②
  - ! ta ut batteriet ur maskinen**
    - ta ut insexnyckeln från förvaringsutrymmet B
    - tryck in spindellåsknappen och håll den intryckt medan du avlägsnar klingbulten D genom att vrida insexnyckeln A **MEDURS** (= i samma riktning som pilen på sågklingan)
  - ! ! tryck endast på spindellåsknappen C när verktyget har stannat helt**
    - släpp spindellåsknappen C
    - ta bort flänsen E
  - ! se till att klämyrtorna H på flänsarna är helt rena och vända mot klingan**
    - öppna nedre skyddet F med spaken G och håll det medan du monterar sågklingan med sågtänder och pilen som är tryckt på sågklingan pekande i samma riktning som pilen på övre skyddet
    - släpp nedre skyddet F
    - monteringsfläns E
    - tryck på spindellåsknappen C medan du drar åt fingerbulten D med insexnyckeln A 1/8 varv mer än fingerkraft (möjliggör slirning av sågklingan vid sågning med hårt sågmotstånd och minskar överbelastning på motorn samt motverkar rekyl)
    - släpp spindellåsknappen C
- Justering av sågdjup (0-57 mm) ⑨
  - lossa vredet K
  - höj/sänk fotplattan J tills önskat skärdjup är inställt på skalan med hjälp av sågdjupindikatorn L
  - dra åt vredet K
  - för en optimal kvalitetssågning bör sågklingan inte sträcka sig mer än en tand under arbetsstycket
- Justering av sågvinkel (0-45°) ⑩
  - lossa vredet M
  - luta verktyget till önskad sågvinkel på skalan genom användande av indikatorn N

- dra åt vredet M

**! vid fasnig, sågdjup överensstämmer ej med värdet på sågdjupsskalan**

- Såglinjeindikator P ⑪
  - för att styra verktyget längs önskad såglinje markerad på arbetsstycket
  - för rak 0° sågning eller 45° vinkelsågning använd angående indikatorlinjen
- ! den breda delen av foten skall vila på den stödjande delen av arbetsstycket**
- ! sågbredd är fastställd av vidden på sågtänderna och ej på vidden av bladkroppen**
- ! gör alltid en provsågning först för att fastställa den verkliga såglinjen**
- Dammuppsugning ⑫
  - Fäst dammsugaradaptorn R på dammuttagsporten Q med Phillipsskruv
  - För användning av dammsugare
    - anslut dammsugarlangan till dammsugaradaptorn R
  - ! låt ej dammsugarlangan hindra undre klingskyddet F eller sågarbetet**
  - Dampmåse
    - montera dampmåse AC \* **INGÅR INTE SOM STANDARD**
- Använda verktyget
  - montera batteriet
  - håll alltid det bakre handtaget S stadigt med ena handen och främre handtaget T stadigt med den andra handen
  - placera verktyg med fotens främre ände plant på arbetsstycket
- ! se till att sågtänderna ej går emot arbetsstycket**
  - slå på verktyget genom att först trycka säkerhetsomkopplaren W och sedan dra i avtryckaren V
- ! maskinen skall ha nått max. varvtal innan bladet kommer i kontakt med arbetsstycket**
  - det nedre skyddet F öppnas automatiskt när sågklingan kommer i kontakt med arbetsstycket (öppna klingskyddet manuellt genom att föra undan det med spaken G endast för speciell sågning som instickssågning)
- ! överbelasta inte maskinen (använd lätt och jämnt tryck för att undvika överhettning av bladspetsarna)**
  - när du är färdig, stäng av verktyget genom att släppa avtryckaren V
- ! försäkra dig om att klingan har stannat helt innan maskinen lyfts från arbetsstycket**

## ANVÄNDNINGSRÅD

- Vänd alltid arbetsstyckets bra sida nedåt för att säkerställa minimal splittring
- Använd endast vassa sågklingor av rätt typ ⑬
  - sågkvaliteten förbättras med antalet tänder
  - hårdmetallklingor förblir vassa upp till 30 gånger längre än ordinarie klingor
- Kapning/slitssågning ⑭
  - Kapning eller slitsågning är lätta att göra med ett parallellanhåll Z.
  - rikta in riktlinjen med 0° såglinjeindikatorn P på foten
  - sätt in ett parallellanhåll Y genom slitsar på vardera sidan av foten till önskad bredd och säkra med vredet Z

## ! se till att slitsanhållet inte stör den fria rörelsen för det nedre skyddet och sågbladet

- Instickssågning <sup>15</sup>
  - ställ in önskat sågdjup
  - luta verktyget framåt med sågskårans indikator P i linje med önskad såglinje som finns markerad på arbetsstycket
  - öppna nedre skyddet F med spaken G
  - strax innan klingan kommer in i arbetsstycket, slå på verktyget och sänk gradvis ned bakre änden av verktyget med den främre änden av foten som gångjärnspunkt
  - flytta gradvis verktyget nedåt såväl som framåt
  - så fort som sågklingan går in i materialet, släpp spak G
- ! **dra aldrig maskinen bakåt**
- Sågning av stora skivor <sup>16</sup>
  - stöd skivan nära snittet antingen på golv, bord eller arbetsbänk
  - ! **ställ in sågdjup så att du såg genom panelen och ej genom stödet**
  - om parallellanslaget är för kort för önskad sågbredd ska du klämma eller spika fast en rak träbit på arbetsstycket som ett anhåll och använda vänstra sidan av foten mot anhållet <sup>17</sup>
- Sågning med styrskena <sup>18</sup>
  - \* **INGÅR EJ SOM STANDARD**
  - Användningen av en styrskena ger exakta, raka, exakta snitt, antingen vid 45 ° eller 90 ° fassågningar. Innan du gör det första snittet med styrskenan måste gummiläppen anpassas till den använda cirkelsågen.
  - för en rak 90 ° sågning, rikta in 90 ° fassida av skenan AD (eller 45 ° fassidan när du gör en 45 ° fasad sågning) med önskad såglinje markerad på arbetsstycket
  - säkra styrskenan ADE ordentligt på arbetsstycket med hjälp av styrskenans klämmor AF <sup>18</sup> **INGÅR EJ SOM STANDARD**
  - skjut sågen på styrskenan AD, se till att sågen kan glida fritt på skenan utan att svänga i sidled.
  - när du ställer in sågdjupet kom ihåg att ta hänsyn till tjockleken på styrskenan AD
  - styr sågen jämnt med långsam matningshastighet genom styrskenans ände AD.
- För mer information se [www.skil.com](http://www.skil.com)

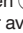
## UNDERHÅLL/SERVICE

- Den här maskinen är inte avsedd för yrkesmässig användning.
- Håll alltid verktyget rent.
  - ! **ta bort batteriet från verktyget före rengöring**
- Håll alltid området runt det nedre skyddet F<sup>2</sup> rent (ta bort damm och spån genom att blåsa bort det med tryckluft eller med en borste)
- Rengör sågklingan omedelbart efter användning (särskilt från harts och lim)
- Om verktyget skulle gå sönder trots den noggrannhet som vidtagits vid tillverkning och testning, bör reparation utföras av ett kundservicecenter för SKIL elverktyg
  - skicka verktyget odemonterat tillsammans med inköpsbevis till försäljaren eller till närmaste SKIL serviceverkstad (adresser samt sprängskisser av verktyget finns på [www.skil.com](http://www.skil.com))
- Var medveten om att skada till följd av överbelastning

eller felaktig hantering inte täcks av garantin (för SKIL garantivillkor gå till [www.skil.com](http://www.skil.com) eller fråga återförsäljaren)

## MILJÖ

Endast för EU-länder

- **Elektriska verktyg, tillbehör och förpackning får inte kastas i hushållssoptorna**
  - enligt europeiska direktivet 2012/19/EG avseende avfall från elektrisk och elektronisk utrustning och dess tillämpning enligt nationell lagstiftning ska uttjänta elektriska verktyg sorteras separat och lämnas till miljövänlig återvinning
  - symbolen  kommer att påminna om detta när det är dags för avyttring
- ! **före avyttring av batterierna, tejpa kontaktytorna med kraftig tejp för att undvika kortslutning**

## BULLER/VIBRATION

- Det här verktygets ljudtrycksnivå som uppmätts i enlighet med EN62841 och ljudtrycksnivån för detta verktyg är 94 dB(A) ljudtrycksnivån 102 dB(A) (osäkerhet K = 3 dB), och vibrationen <math><2.5 \text{ m/s}^2</math>; (triaxvektorsumma; osäkerhet K = 1,5 m/s<sup>2</sup>)
- Vibrationsemissionsvärdet har uppmätts enligt ett standardiserat test i enlighet med EN 62841; detta värde kan användas för att jämföra vibrationen hos olika verktyg och som en ungefärlig uppskattning av hur stor vibration användaren utsätts för när verktyget används enligt det avsedda syftet
  - om verktyget används för annat arbete än det avsedda syftet eller med fel eller dåligt underhållna tillbehör kan detta drastiskt **öka** exponeringsnivån
  - när verktyget stängts av eller körs men inte utför arbetet, kan detta avsevärt **minska** exponeringsnivån
- ! **skydda dig mot effekterna av vibrationer genom att underhålla verktyget och dess tillbehör, hålla händerna varma och organisera ditt arbetsmönster**

DK

## Børsteløs rundsav

3551

## INTRODUKTION

- Dette værktøj er beregnet skæring i træ på langs og på tværs i lige snit, og til skæring i vinkler op til 45°
- Dette værktøj er ikke beregnet til professionelt brug
- Læs denne brugsvejledning og behold den <sup>3</sup>

## TEKNISKE DATA <sup>1</sup>

## MASKINELEMENTER <sup>2</sup>

- A Unbrakonøgle
- B Opbevaringsrum til unbrakonøgle
- C Knap til lås af aksel
- D Bolt
- E Flange
- F Nedre skærm
- G Håndtag til åbning af nedre skærm
- H Fastspændingsoverflade

- J Fodplade
  - K Knap til indstilling af skæredybde
  - L Indikator til skæredybde
  - M Knap til justering af skærevinkel
  - N Indikator til skærevinkel
  - P Savlinjeindikator
  - Q Åbning til støvdudstødning
  - R Støvsugeradapter
  - S Baghåndtag
  - T Forhåndtag
  - U Rille til styreskinne
  - V Startknap
  - W Sikkerhedsafbryder
  - X LED-rengøringsknap
  - Y Sidestyr
  - Z Skrue til justering af sidestyr
  - AA Savklinge
  - AB ABatteriniveauindikator
  - AC AStøvpøse\*
  - AD AStyreskinne\*
  - AE AKlemme til styreskinne\*
- \* MEDFØLGER SOM STANDARD IKKE

## SIKKERHED

### GENERELLE SIKKERHEDSADVARSLER TIL MASKINEN

**⚠ ADVARSEL** Læs alle sikkerhedsadvarsler, anvisninger, billeder og specifikationer, der følger med dette elværktøj. Hvis anvisningerne nedenfor ikke følges, kan det føre til elektrisk stød, brand og/eller alvorlig personskade.

**Gem alle advarsler og instruktioner til fremtidig reference.**

Udtrykket "elværktøj" i advarselne henviser til eldrevet (ledningsforbundet) og batteridrevet (ledningsfrit) elværktøj.

#### 1) SIKKERHED PÅ ARBEJDSPLADSEN

- a) **Sørg for at arbejdsområdet er rent og godt belyst.** Et rodet eller mørkt område kan føre til ulykker.
- b) **Brug ikke elværktøj i eksplosive atmosfærer, såsom ved tilstedeværelse af brændbare væsker, gasser eller støv.** Elværktøj kan slå gnister og antænde støv og dampe.
- c) **Hold børn og tilskuere på afstand, når et elværktøj er i brug.** Distraktioner kan medføre, at du mister kontrollen.

#### 2) SIKKERHED OMKRING ELEKTRICITET

- a) **Stikket på elværktøjet skal passe i stikkontakten. Stikket må på ingen måde ændres. Brug ikke adapterstik sammen med jordede (jordforbundne) elværktøj.** Uændrede stik, der passer til stikkontakterne, nedsætter risikoen for elektrisk stød.
- b) **Undgå kropskontakt med jordforbundne overflader, såsom rør, radiatorer, komfurer og køleskabe.** Der er øget risiko for elektrisk stød, hvis din krop er jordforbundet.
- c) **Elværktøj må ikke udsættes for regn eller våde forhold.** Vand kommer ind et elværktøj øger risikoen for elektrisk stød.
- d) **Ledningen må ikke mishandles. Brug aldrig**

**ledningen til at bære eller trække elværktøjet eller til at trække stikket ud af stikkontakten.** Hold ledningen væk fra varme, olie, skarpe kanter og bevægelige dele. Beskadede eller sammenfiltrede ledninger, øger risikoen for elektrisk stød.

- e) **Når et elværktøj bruges udendørs, skal der bruges en forlængerledning, der er egnet til udendørs brug.** Brug af en egnet ledning til udendørs brug, reducerer risikoen for elektrisk stød.
  - f) **Hvis det ikke kan undgås at benytte apparatet i fugtige omgivelser, så brug et stik med fejlstrømsrelæ.** Anvendelse af et fejlstrømsrelæ mindsker risikoen for elektrisk stød.
- #### 3) PERSONLIG SIKKERHED
- a) **Vær forsigtig, hold øje med hvad du laver, og brug din sunde fornuft, når du bruger et elværktøj. Brug ikke apparatet, hvis du er træt eller er påvirket af narkotika, alkohol eller medicin.** Et øjeblikks uopmærksomhed, kan føre til alvorlige personskader.
  - b) **Brug personligt beskyttelsesudstyr. Brug altid beskyttelsesbriller.** Værnemidler, såsom støvmaske, skridsikre sikkerhedssko, hjelm eller høreværn, der anvendes under passende betingelser, nedsætter risikoen for personskade.
  - c) **Forhindre utilsigtet start. Sørg for, at tænd/sluk-knappen er slukket, inden apparatet sluttes til strømkilden eller batteripakken, samt inden det løftes op eller bæres rundt.** Hvis elværktøjet bæres med fingeren på kontakten, eller oplades med tænd/sluk-knappen tændt, øger det risikoen for ulykker.
  - d) **Fjern indstillingsværktøj eller skrueøgler, før elværktøjet startes.** En skrueøgler eller en nøgle sidder i en roterende del af elektrisk værktøj, kan resultere i personskade.
  - e) **Undgå at række for langt frem. Sørg altid for at stå ordentligt fast og i god balance.** Dette giver bedre kontrol af det elektriske værktøj når uventede situationer.
  - f) **Brug passende tøj. Brug ikke løstsiddende tøj eller smykker. Hold hår og tøj fra bevægelige dele.** Løstsiddende tøj, smykker eller langt hår kan komme i klemme i bevægelige dele.
  - g) **Hvis der monteres tilbehør til opsamling af støv eller andet, skal det sikres, at disse monteres og bruges korrekt.** Brug af støvindsamlingsenheder, kan reducere støv-relaterede risici.
  - h) **Selvom du ofte bruger og har et godt kendskab til værktøjet, må du ikke være overmodig eller glemme sikkerhedsprincipperne.** En uagtsom handling kan forårsage alvorlig skade i en brøkdal af et sekund.
- #### 4) BRUG OG PLEJE AF ELVÆRKTØJET
- a) **Elværktøjet må ikke tvinges under brug. Brug det korrekte elværktøj til formålet.** Det rigtige elværktøj gør arbejdet bedre og mere sikkert, da det er beregnet til formålet.
  - b) **Brug ikke elværktøjet, hvis tænd/sluk-knappen ikke kan tænde og slukke.** Alt elværktøj, hvor tænd/sluk-kontakten ikke dur, er farligt og skal repareres.
  - c) **Træk stikket til apparatets strømforstyrning ud af stikkontakten og/eller fjern batteripakken hvis dette er muligt, inden du foretager justeringer, skifter tilbehør eller lægger elværktøjet til opbevaring.** Sådanne forebyggende sikkerhedsforanstaltninger mindsker risikoen for at starte elværktøjet utilsigtet.



- d) **Opbevar elværktøj, der ikke bruges, utilgængeligt for børn, og tillad ikke personer, der ikke kender elværktøjet eller disse anvisninger, at bruge elværktøjet.** Elværktøj er farligt i hænderne på brugere, der ikke ved, hvordan det skal bruges.
- e) **Vedligehold elværktøj og tilbehør. Kontroller, at de bevægelige dele ikke er fejljusterede eller binder eller er i en tilstand, der kan påvirke elværktøjets drift. Få beskadigede elværktøjet repareret før brug.** Mange ulykker er forårsaget af dårligt vedligehold elværktøj.
- f) **Hold skæreværktøj skarpe og rene.** Skæreværktøjer med skarpe kanter, der vedligeholdes ordentligt, er mindre tilbøjelige til at binde og er lettere at styre.
- g) **Elværktøjet, tilbehør og bits osv. skal bruges i overensstemmelse med disse instruktioner, hvor arbejdsforholdene og arbejdet, der skal udføres, skal tages i betragtning.** Anvendelse af elværktøj til andre formål end dem, de er beregnet til, kan medføre en farlig situation.
- h) **Hold håndtag og gribeflader tørre, rene og fri for olie og fedt.** Glatte håndtag og glatte overflader, der holdes i, gør værktøjet farligt at bruge i uventede situationer.
- 5) BATTERIVÆRKTØJETS BRUG OG PLEJE**
- a) **Anvend kun opladeren der er angivet af fabrikanten.** Hvis en oplader, der er egnet til én slags batteri, bruges med en anden slags batteri, kan det føre til brand.
- b) **Anvend kun elektrisk værktøj med særligt udpegede batteripakker.** Brug af andre batterier kan skabe risiko for personskade og brand.
- c) **Når batteripakken ikke er i brug, skal den holdes væk fra andre metalgenstande som papirclips, mønter, nøgler, søm, skruer eller andre små metalgenstande, der kan skabe forbindelse fra en pol til en anden.** Shorting batteripolerne sammen kan forårsage forbrændinger eller brand.
- d) **Ved forkert anvendelse kan der slippe væske ud af batteriet: Undgå kontakt. Hvis det alligevel skulle ske, skylles med vand.** Hvis væsken kommer i øjnene, skal man søge læge. Væske fra batteriet kan forårsage irritation eller forbrændinger.
- e) **Anvend ikke et batteri eller et værktøj, der er beskadiget eller modificeret.** Beskadigede eller modificerede batterier kan opføre sig uforudsigeligt og forårsage brand, eksplosion eller risiko for personskade.
- f) **Udsæt ikke et batteri eller et værktøj for ild eller for høj temperatur.** Udsættelse for ild eller temperaturer over 130 °C kan forårsage eksplosion.
- g) **Følg alle anvisninger vedrørende opladning, og oplad ikke batteriet eller værktøjet uden for temperaturområdet angivet i anvisningerne.** Forkert opladning eller temperaturer uden for det angivne område kan beskadige batteriet og øge risikoen for brand.
- 6) SERVICE**
- a) **Dit elværktøj skal repareres af en kvalificeret person, og der må kun bruges identiske reservedele.** På denne måde sikrer man, at elværktøjet forbliver sikkert at bruge.
- b) **Udfør aldrig selv service på beskadigede batterier. Service på batterier må kun udføres af producenten eller godkendte servicecentre.**

## SIKKERHEDSINSTRUKTIONER TIL BØRSTELØSE RUNDSAVE

### SIKKERHEDSINSTRUKTIONER TIL ALLE SAVE

- a) **FARE: Hold hænder og fødder væk fra skæreamrådet og klingens. Hold den anden hånd på støttehåndtag eller på motorkabinettet.** Hvis begge hænder holder på saven, kan de ikke skæres af klingens.
- b) **Ræk ikke ind under emnet.** Skærmen beskytter dig ikke mod klingens under emnet.
- c) **Juster skæredybden, så den passer til emnets tykkelse.** Man skal kunne se mindre en hel tand på klingens under emnet.
- d) **Hold aldrig emnet i med hænderne eller over benene, når du skærer. Spænd emnet fast til en stabil platform.** Det er vigtigt, at spænde emnet ordentligt fast for, at kroppen ikke er i risiko, og klingens ikke binder eller du mister kontrol over emnet.
- e) **Hold kun elværktøjet på de isolerede gribeflader, hvis det bruges på steder, hvor det kan komme i kontakt med strømførende ledninger.** En klinge, der kommer i kontakt med en strømførende ledning, kan gøre metaldelene på elværktøjet strømførende og give brugeren elektrisk stød.
- f) **Når du saver langs årene, skal du altid bruge et savbord med kantstyr eller et lige kantstyr.** Dette forbedrer snittets nøjagtighed og reducerer chancen for at klingens binder.
- g) **Brug altid klinger med et akselhul i den korrekte størrelse og form (diamantformet eller rund).** Klinger, der ikke passer til savens monteringsbeslag, vil køre ujævnt og medføre tab af kontrol.
- h) **Brug aldrig beskadigede eller forkerte klinger eller bolte.** Klingens spændeskiver og bolt er fremstillet særligt til denne sav, så den virker optimal og sikkert.

### YDERLIGERE SIKKERHEDSINSTRUKTIONER TIL ALLE SAVE

#### ÅRSAGER TIL TILBAGESLAG OG ADVARSLER I FORBINDELSE HERMED

- Tilbageslag er en pludselig reaktion på en fastklemt eller skævt-siddende savklinge, der gør at en ukontrolleret sav slynges opad, ud af emnet og mod brugeren;
- Hvis klingens fastklemmes eller sætter sig fast ved at savsnittet lukker sig, går klingens i stå og motorens reaktionen slynger værktøjet hurtigt tilbage mod brugeren;
- Hvis klingens vrides eller sidder skævt i savsnittet, kan tænderne på klingens bagkant grave sig ind i træets overflade, så klingens slynges ud af savsnittet, og tilbage mod brugeren.

Tilbageslag sker hvis savens misbruges og/eller bruges forkert eller i forkerte forhold. Disse kan undgås ved at tage følgende forholdsregler i brug.

- a) **Hold et fast greb om savens med begge hænder, og placer armene så for, at du modstår kraften fra eventuelle tilbageslag. Sørg for, at din krop er på en af siderne af klingens.** Du må ikke være på linje med klingens. Tilbageslag kan få savens til at springe bagud, men kraften fra tilbageslag kan styres af brugeren, hvis der

træffes de rette forholdsregler.

- b) Hvis klingen binder, eller hvis skæring af et snit skal afbrydes, skal du slippe aftrækkeren og hold saven ubevægelig i materialet, indtil klingens holder helt op med at dreje. Du må aldrig prøve, at fjerne saven fra emnet eller trække saven bagud, når klingen er i bevægelse, da dette kan føre til tilbageslag. Undersøg, hvorfor klingens binder og find en løsning på problemet.
- c) Hvis saven skal startes, når den er i emnet, skal du sørge for at savklingen er lige i savsnittet, og at savtænderne ikke er i kontakt med emnet. Hvis en savklinge binder, og saven startes, kan den slynge sig selv opad og give tilbageslag fra emnet.
- d) **Selv plader skal ses efter, så du minimerer risikoen for, at klingens binder og derved giver tilbageslag.** Store plader har en tendens til, at hænge under deres egen vægt. Sørg for, at sætte nogen under pladen, så den støttes på begge sider, tæt på snittet og pladens kant.
- e) **Brug ikke sløve eller beskadigede klinger.** Klinger, der ikke er slebet, eller forkert indstillede savklinger laver et smalt savsnit, der binder klingens og kan føre til tilbageslag.
- f) **Klingens dybde og smigstokken skal være strammet og fastspændt, før der skæres.** Hvis klingens placering ændre sig under skæringen, kan klinge binde og give tilbageslag.
- g) **Vær ekstra forsigtig, når du saver i vægge eller andre blinde områder.** Klingens kan skære i genstande, der kan give tilbageslag.

#### NEDRE SKÆRMFUNKTION

- a) **Kontroller, at den nedre skærm lukker ordentligt før hver brug.** Saven må ikke bruges, hvis den nedre skærm ikke bevæger sig frit og ikke lukker med det samme. Den nedre skærm må aldrig tvinges til, at være åben, enten ved at klemme eller fastgøre den. Hvis saven ved et uheld falder ned, kan det bøje den nedre skærm. Løft den nedre skærm med håndtaget, og sørg for, at den bevæger sig frit og at den ikke rører klingens eller andre dele i nogen vinkler eller dybder.
- b) **Sørg for, at fjederen på den nedre skærm virker.** Hvis skærmen og fjederen ikke virker ordentligt, skal de repareres før brug. Den nedre skærm virker muligvis trægt på grund af beskadigede dele, gummi aflejringer eller ophobning af skidt.
- c) **Den nedre skærm må kun trækkes tilbage manuelt, når du laver særlige snit, såsom »nedskæringer« og »sammensatte skæringer«.** Hæv den nederste skærm med håndtaget, og sænk derefter skærmen igen, så snart klingens skærer i emnet. På alle andre snit skal den nedre skærm virke automatisk.
- d) **Vær altid opmærksom på, at den nedre skærm dækker klingens helt, inden saven lægges på en bænk eller på gulvet.** En ubeskyttet, fræserklinge får saven til at save baglæns og save i alt, hvad der er i vejen. Vær opmærksom på den tid, det tager for klingens at stoppe, når du har sluppet aftrækkeren.

#### GENERELT

- Dette værktøj må ikke bruges af personer under 16 år.
- Dette værktøj er ikke beregnet til vådskæring.
- **Arbejd ikke asbestholdigt materiale** (asbest er kræftfremkaldende).

- **Støv fra materiale som f.eks. maling, der indeholder bly, nogle træsorter, mineraler og metal kan være skadeligt** (kontakt med eller indånding af støvet kan forårsage allergiske reaktioner og/eller sygdomme i luftvejene hos den, der anvender værktøjet, eller hos omkringstående); bær en støvmaske og arbejd med en støvudsugningsanordning, hvor en sådan kan slutes til.
- Visse slags støv er klassificeret som kræftfremkaldende (som f.eks. støv fra eg og bog) især i forbindelse med tilsætningsstoffer til træbehandling; brug en støvmaske og arbejd med en støvudsugningsanordning, hvor en sådan kan slutes til.
- Følg lovgivningen vedrørende støv fra materialerne, du arbejder med.
- Denne sav må ikke bruges sammen med et savbord.
- Fjern batteriet fra værktøjet, før du foretager justeringer på værktøjet eller udskifter tilbehør.

#### TILBEHØR

- SKIL kan kun sikre en korrekt funktion af værktøjet, hvis der benyttes originalt tilbehør.
- Der må kun benyttes tilbehør, hvis godkendte omdrejningstal er mindst så højt som værktøjets max. omdrejningstal i ubelastet tilstand.
- Brug kun savklinger, der svarer til de tekniske data, der er angivet i denne vejledning, og som er kontrolleret og mærket tilsvarende i henhold til EN 847-1.
- Brug kun savklinger med en diameter på 165 mm og et aksehul på 16 mm.
- Dette værktøj må aldrig bruges med slibe- eller skæreskiver.

#### FØR BRUG

- Undgå skader fra skruer, søm eller andre materialer i emnet. Fjern disse før du arbejder med emnet.
- Fjern alt, der er i vejen oven på og under skærebanelen, før du begynder at skære.
- Fastgør emnet (det er sikrere at holde emner i en fastgøringsanordning eller skruestik end med hånden).
- Anvend egnede søgeinstrumenter til at finde frem til skjulte forsyningsledninger eller kontakt det lokale forsyningselskab (kontakt med elektriske ledninger kan føre til brand og elektrisk stød; beskadigelse af en gasledning kan føre til eksplosion; brud på et vandrør kan føre til materiel skade eller elektrisk stød).

#### UNDER BRUG

- Støjniveauet ved komme over 85 dB (A). Brug høreværn.
- Værktøjet må aldrig bruges uden den originale beskyttelsesskærm.
- Forsøg ikke, at save i meget små emner.
- Værktøjet må ikke bruges over hovedet.
- Hvis værktøjet sætter sig fast eller i tilfælde af elektrisk eller mekanisk fejlfunktion, skal værktøjet straks slukkes og batteriet tages ud.

#### EFTER BRUG

- Før du lægger værktøjet fra dig, skal du slukke for motoren og sikre, at alle bevægelige dele er standset helt.
- Når du slukker rundsaven, må du aldrig stoppe savklingen ved, at trykke en genstand mod den.

#### BATTERIER

- **Det medfølgende batteri** (hvis et følger med) er delvist opladet (for at sikre fuld kapacitet af batteriet skal det oplades helt i batteriopladeren, inden du anvender dit elværktøj første gang)
- **Anvend kun de følgende batterier og batteriopladere, der leveres med dette værktøj**

- SKIL-batteri: BR1\*31\*\*\*\*
- SKIL-oplader: CR1\*31\*\*\*\*

- Brug ikke batteriet, hvis det er beskadiget. Det skal skiftes med det samme.
- Adskil ikke batteriet.
- Udsæt ikke værktøjet/batteriet for regn.
- Tilladt omgivelsestemperatur (værktøj/oplader/batteri):
  - ved opladning 4...40°C
  - ved drift -20...+50°C
  - ved opbevaring -20...+50°C

#### FORKLARING TIL SYMBOLERNE PÅ VÆRKTØJET

- ③ Læs instruktionen inden brug
- ④ Batterier kan eksplodere, hvis de brændes. Derfor må batterier under ingen omstændigheder brændes
- ⑤ Opbevar værktøj/opladeren/batteriet i et lokale, hvor temperaturen ikke overstiger 50°C
- ⑥ Elværktøj og batterier må ikke bortskaffes som almindeligt affald

## BRUG

- Oplader batteriet
- ! **Læs sikkerhedsadvarslerne og anvisningerne, der følger med opladeren**
- Montering/fjernelse af batteriet ②
- Batteriets strømindikator ⑦
  - Tryk på knappen for batteristand AB for at se batteriets aktuelle status ⑦a
  - ! **Når batteri-indikatoren nederste niveau blinker, når der trykkes på knappen AB ⑦b, er batteriet tomt**
  - ! **Når batteri-indikatoren 2. niveau blinker, når der trykkes på knappen AB ⑦c, er batteriet uden for den tilladte driftstemperatur.**
- LED-lys til skyggelinje ⑧
 

Dit værktøj er udstyret med et LED-lys, der laver en skyggelinje. Lyset sidder under den øvre skærm. Dette giver ekstra lys på savklingen og emnets overflade. LED-lyset laver en skygge fra savklingen, som kan bruges til at føre værktøjet langs den ønskede skærelinje, der er markeret på emnet.

! **test altid først på et stykke kasseret materiale**

LED-lyset tænder automatisk, når der trykkes på startknappen. Det slukker automatisk 10 sekunder efter startknappen slippes.

! **LED-lyset blinker hurtigt, når værktøjet og/eller batteripakken overbelastes eller bliver for varm, og de interne sensorer slukker for værktøjet. Giv værktøjet en pause, eller anbring værktøjet og batteripakken separat under en luftstrøm for at afkøle dem.**

! **LED-lyset blinker langsommere, hvilket betyder at batteripakkens er lav på strøm. Oplad batteripakken.**

LED-rengøringsknappen X, der sidder i den øvre skærm, er beregnet til at rengøre LED-lyset. Når LED-lyset bliver svagt på grund af savsmuld omkring det, skal du dreje LED-rengøringsknappen X i en vilkårlig retning for at fjerne savsmuldet, hvorefter LED-lyset lyser skarpt igen.
- Batteribeskyttelse
 

Værktøjet slukker eller det kan ikke tændes, når

  - **Belastning er for høj** --> fjern belastningen og start værktøjet igen
  - **Batteritemperaturen er ikke inden for det tilladte**

område på -20 til +50 °C -> 2 af trinene på batteri-indikatoren begynder at blinke, når der trykkes på knappen AB ⑦c. Vent, indtil batteriet er tilbage inden for det tilladte temperaturområde

- **Batteriet er næsten tomt (for at beskytte mod dyb afladning)** -> batteri-indikatoren viser et lavt batteriniveau eller blinkende lavt batteriniveau ⑦b, når der trykkes på knappen AB. Oplad batteriet
- ! **Tryk ikke på tænd/sluk-knappen, hvis værktøjet slukker automatisk, da det kan beskadige batteriet**
- Montering af savklingen AA ②
  - ! **Fjern batteriet fra værktøjet**
  - tag unbrakonøgle A ud af opbevaringspladsen
  - Tryk på låseknappen til akslen C og hold den nede, mens du fjerner boltene D ved, at dreje unbrakonøglen **A MED URET** (= i samme retning som pilen, der er på savklingen)
  - ! **Tryk kun på låseknappen til akslen C, når værktøjet ikke bevæger sig overhovedet**
  - Slip låseknappen til akslen C
  - fjern flange E
  - ! **Sørg for at flangernes fastspændingsflader H er helt rene og vender mod klingens**
  - Åbn den nedre skærm F med håndtaget G og hold den fast, samtidig med at du monterer savklingen med savtænderne og pilen vendt i samme retning som pilen på den øvre skærm.
  - Slip den nedre skærm F
  - Sæt flangen A på
  - Tryk på låseknappen til akslen C og hold den nede, samtidig med at du spænder boltene D med fingrene og derefter spænder den yderligere 1/8 omgang med unbrakonøglen A (sørg for, at savklingen kan glide, når den udsættes for ekstrem modstand for at reducere motoroverbelastning og tilbageslag)
  - Slip låseknappen til akslen C
- Justering af skæredybden (0-57 mm) ⑨
  - Løsn knoppen K
  - Hæv/sænk fodpladen J, indtil den ønskede skæredybde er indstillet på skalaen med skæredybdeindikatoren L.
  - Spænd knoppen K
  - For at lave et godt snit, må savklingen højst stikke en tand ud under emnet
- Indstilling af savvinklen (0-45°) ⑩
  - Løsn knoppen M
  - Vip værktøjet indtil den ønskede savvinkel vises på skalaen med savvinkel-indikatoren N
  - Spænd knoppen M
  - ! **ved smigskæring, vil savdybden ikke svare til den angivne værdi på savdybdeskalaen**
- Savlinjeindikator P ⑪
  - Bruges til at styre værktøjet langs den ønskede skærelinje, der er markeret på emnet
  - For at lave et lige snit på 0° eller et skråt snit på 45°, skal du bruge den pågældende indikatorlinje
  - ! **den bredeste del af foden bør hvile på den del af arbejdsemnet som har støtte**
  - ! **savbredden er afhængig af bredden på savtænderne og ikke af selve klingens**
  - ! **udfør altid et prøve snit, for at kontrollere den aktuelle savlinje**
- Støvopsugning ⑫

Spænd støvsugeradapteren R fast på støvsugningsåbningen Q med stjerneskruen Til brug af støvsuger

- Sæt støvsugerlangen på støvsugeradapteren R

**! Lad aldrig støvsugerlangen komme i kontakt med den nedre skærm F eller savningen**

Støvpose

- Beslag til støvpose AC \*FØLGER SOM STANDARD IKKE MED

- Betjening af værktøjet

- Sæt batteriet i

- Hold altid ordentligt fat i baghåndtaget S med den ene hånd og forhåndtag T fast med den anden hånd

- Placer værktøjet med forenden af foden fladt på emnet

**! sørg for at savtænderne ikke griber ind i arbejdsområdet**

- Tænd værktøjet ved først at trykke på sikkerhedsafbryderen W og derefter trykke på startknappen V

**! værktøjet skal køre med max. hastighed inden savklingen berører arbejdsområdet**

- Den nedre skærm F åbnes automatisk når savklingen rører arbejdsområdet (hæv kun skærmen manuelt med håndtaget G, hvis du skal lave særlige snit, f.eks. et dyksnit)

**! overbelast ikke værktøjet (anvend et let og vedvarende tryk for at undgå overophedning af savklinger)**

- Når du er færdig med at save, skal du slukke værktøjet ved at slippe startknappen V

**! Vær sikker på, at savklingen står fuldstændigt stille, før du løfter værktøjet væk fra arbejdsområdet**

## GODE RÅD

- Sørg altid for, at emnets gode side vender nedad, så du undgår splinter.

- Brug kun skarpe savklinger af den rigtige type <sup>(15)</sup>

- Snitkvaliteten forbedres med antallet af tænder

- Savklinger af hård metal holder sig skarpe op til 30 gange længere end alm. klinger

- Tværsnit/snit langs årene <sup>(14)</sup>

Tværsnit og snit langs årene er nemme at lave med et sidestyk Y.

- Sæt ledelinjen ud for savlinjeindikatoren 0° P på foden

- Sæt et sidestyk Y i rillerne på hver side af foden til den ønskede bredde, og spænde dem fast med knoppen Z

**! Sørg for, at kantstyret til snit langs årene ikke forstyrrer den frie bevægelighed af den nedre skærm og savklingen**

- Indstiksskæring <sup>(15)</sup>

- indstil den ønskede skæredybde

- Vip værktøjet fremad med savlinje-indikatoren P på linje med den ønskede savlinje, der er markeret på arbejdsområdet

- Åbn den nedre skærm F med håndtaget G

- Lige før klingen rammer emnet, skal du tænde værktøjet og gradvist sænke bagenden af værktøjet med forenden af foden som hængselpunkt

- Flyt gradvist værktøjet nedad og fremad

- Slip håndtaget G, så snart savklingen rører arbejdsområdet

**! før aldrig værktøjet bagover**

- Savning af store emner <sup>(16)</sup>

- Støt panelet tæt på snittet enten på gulvet, bordet eller arbejdsbænken

**! indstil savdybden således at De saver gennem emnet og ikke gennem det som støtter emnet**

- Hvis parallelstyret ikke er langt nok til den ønskede savbredde, fastgøres et lige stykke træ på arbejdsområdet som styr, og højre side af foden anbringes imod dette styr <sup>(17)</sup>

- Skæring med en styreskinne <sup>(19)</sup>

\*MEDFØLGER IKKE SOM STANDARD

Når du bruger en styreskinne, får du præcise og lige snit på skråsnit på 45° og 90°.

Før du laver det første snit med styreskinnen, skal gummikanten tilpasses rundsaven.

- For at lave et lige snit på 90°, skal du sætte skinnens AD skråsnit til 90° (eller 45°, hvis du vil lave et skråsnit på 45°) til den ønskede skærelinje, der er markeret på emnet.

- Spænd styreskinnen AD fast på emnet med klemmerne dertil AE <sup>(18)</sup> \*FØLGER SOM STANDARD IKKE MED

- Tryk saven på styreskinnen AD, og sørg for at saven glider frit på skinnen uden at den svinger sidelæns.

- Husk at tage højde for styreskinnens AD tykkelse, når skæredybden indstilles

- Før saven langsom og jævnt frem til enden af styreskinnen AD.

- Se yderligere oplysninger på [www.skil.com](http://www.skil.com)

## VEDLIGEHOLDELSE/SERVICE

- Denne maskine er ikke beregnet til professionel brug.
- Hold altid apparatet rent.

**! Tag batteriet ud af værktøjet inden rengøring**

- Hold altid området omkring den nederste afskærmning F <sup>(2)</sup> rent (fjern støv og spåner ved at blæse det ud med trykluft eller med en børste).

- Rengør savklingen umiddelbart efter brug (især for harpiks og lim).

- Skulle elværktøjet trods omhyggelig fabrikation og kontrol skulle holde op med at fungere, skal reparationen udføres af et autoriseret serviceværksted for SKIL-elværktøj.

- send det ikke adskilte værktøj sammen med et købsbevis til forhandleren eller nærmeste SKIL-serviceværksted (adresser og reservedelstegning af værktøjet findes på [www.skil.com](http://www.skil.com))

- Husk, at beskadigelse som følge af overbelastning eller forkert håndtering af værktøjet ikke er omfattet af garantien (se [www.skil.com](http://www.skil.com) vedrørende SKIL-garantibetingelserne, eller spørg din forhandler).

## MILJØ

Kun for EU-lande

- **Elværktøj, tilbehør og emballage må ikke bortskaffes som almindeligt affald**

- i henhold til det europæiske direktiv 2012/19/EF om bortskaffelse af elektriske og elektroniske produkter og gældende national lovgivning, skal brugt elværktøj indsamles separat og bortskaffes på en måde, der skåner miljøet mest muligt

- Symbolet <sup>(6)</sup> er en påmindelse om dette, når produktet skal bortskaffes

**! Beskyt batteri terminaler med bredt tape for at undgå kortslutning**

## STØJ/VIBRATION

- Målt i henhold til EN62841, dette værktøjs lydtrykniveau er 94 dB (A) og lydeffektniveauet er 102 dB (A) (usikkert K = 3 dB) og vibrationen er <math>< 2.5 \text{ m/s}^2</math> (triaksvektorsum; usikkert K = 1,5 m/s<sup>2</sup>)
  - Vibrationsniveauet er målt i henhold til den standardiserede test som anført i EN 62841. Det kan benyttes til at sammenligne to stykker værktøj og som en foreløbig bedømmelse af udsættelsen for vibrationer, når værktøjet anvendes til de nævnte form
    - Anvendes værktøjet til andre formål eller med andet eller dårligt vedligehold tilbehør, kan dette øge udsættelsesniveauet betydeligt.
    - de tidsrum, hvor værktøjet er slukket, eller hvor det kører uden reelt at udføre noget arbejde, kan reducere udsættelsesniveauet betydeligt.
- ! Beskyt dig selv imod virkningerne af vibrationer ved at vedligeholde værktøjet og dets tilbehør, ved at holde dine hænder varme og ved at organisere dine arbejdsmonstre**

N

## Børsteløs sirkelsag

3551

## INTRODUKSJON

- Dette verktøyet er beregnet for lengde- og tverrkapping av tre med rette kutt samt vinkelkutt opp til 45°
- Dette verktøyet er ikke beregnet for profesjonell bruk
- Les og lagre denne bruksanvisningen ③

## TEKNISKE DATA ①

## MASKINELEMENTER ②

- A Sekskantnøkkel
- B Oppbevaring for sekskantnøkkel
- C Spindellåseknapp
- D Bolt
- E Flens
- F Underskjerm
- G Hendel til åpning av underskjerm
- H Oppspenningsflate
- J Fotplate
- K Knapp for innstilling av kuttedybde
- L Skjæredybdeindikator
- M Knapp for justering av kuttevinkel
- N Skjærevinkelindikator
- P Saglinje-indikator
- Q Støvsugsport
- R Støvsugeradapter
- S Bakre håndtak
- T Fremre håndtak
- U Styreskinnespor
- V Utløserbryter
- W Sikkerhetsbryter
- X LED rengjøringskive
- Y Parallelføring
- Z Knott for justering av parallelføring
- AA Sagblad
- AB ABatterinivåindikator
- AC AStøvpose\*

AD ASidespor\*

AE ASidesporklemme\*

\* IKKE STANDARD INKLUDERT

## SIKKERHET

### GENERELLE MASKINSIKKERHETSADVARSLER

**⚠ ADVARSEL Les alle sikkerhetsadvarslene, instruksjonene, illustrasjonene og spesifikasjonene som følger med dette elektroverktøyet.** Manglende etterlevelse av alle instruksjonene under kan resultere i elektrisk støt, brann og/eller alvorlig skade.

**Ta vare på alle advarsler og instruksjoner for fremtidig bruk.**

Begrepet "elektroverktøy" i advarslene refererer til det elektriske verktøyet med ledning eller batteridrevet (batteridrevet) elektroverktøy.

### 1) ARBEIDSSOMRÅDESIKKERHET

- a) **Hold arbeidsområdet rent og godt opplyst.** Rotete eller mørke områder inviterer til ulykker.
- b) **Ikke bruk maskinen i eksplosjonsfarlige omgivelser, for eksempel der det finnes brennbare væsker, gasser eller støv.** Elektroverktøy lager gnister som kan antenne støv eller damp.
- c) **Hold barn og andre personer unna når elektroverktøyet er i bruk.** Distraksjoner kan føre til at du mister kontrollen.

### 2) ELEKTRISK SIKKERHET

- a) **Støpselet til elektroverktøyet må passe inn i stikkontakten. Støpselet må ikke modifiseres på noen som helst måte.** Ikke bruk adapterstøpsler sammen med jordede elektroverktøy. Støpsler det ikke er gjort endringer med og riktige stikkontakter reduserer risikoen for elektrisk støt.
- b) **Unngå kroppskontakt med jordete overflater som rør, radiatorer, komfyrer og kjøleskap.** Det er økt risiko for elektrisk støt hvis kroppen din er jordet.
- c) **Ikke utsett elektroverktøy for regn eller våte omgivelser.** Kommer det vann inn i et elektroverktøy, øker risikoen for elektrisk støt.
- d) **Ikke utsett ledningen for feil behandling. Unngå å bære eller dra i verktøyet ved hjelp av ledningen, eller å dra i ledningen når du skal ta verktøyet ut av stikkontakten.** Hold ledningen på avstand fra varme, olje, skarpe kanter og bevegelige deler. Skadede eller sammenfiltrede ledninger øker risikoen for elektriske støt.
- e) **Når du bruker et elektroverktøy utendørs må du bruke skjøteledning som er godkjent for dette.** Bruk av ledning som er egnet for utendørs bruk reduserer risikoen for elektrisk støt.
- f) **Hvis du ikke kan unngå å bruke verktøyet i fuktige omgivelser, så benytt en jordfeilbryter.** Bruk av jordfeilbryter reduserer risikoen for elektrisk støt.

### 3) PERSONLIG SIKKERHET

- a) **Vær årvåken, se hva du gjør, og følg sunn fornuft når du bruker et elektroverktøy.** Ikke bruk elektroverktøy når du er trøtt eller er påvirket av narkotika, alkohol eller medikamenter. Et øyeblikks uoppmerksomhet mens du bruker elektroverktøy kan føre til alvorlige

- personskader.
- b) **Bruk personlig verneutstyr. Bruk alltid vernebriller.** Verneutstyr som støvmaske, sklislisikre vernesko, hjelm eller hørselssvern når omgivelsene krever det, reduserer risikoen for personskader.
  - c) **Unngå utilsikket oppstart. Pass på at bryteren er i av-stilling før du kobler til strømkilden og/eller batteripakken, eller når du løfter og bærer verktøyet.** Å bære elektroverktøy med fingeren på bryteren eller koble til strøm når bryteren er på, skaper farlige situasjoner som kan føre til ulykker.
  - d) **Fjern eventuelle justeringsnøkler før du slår på elektroverktøyet.** Et verktøy eller en nøkkel som sitter igjen i en roterende del av elektroverktøyet, kan føre til personskade.
  - e) **Ikke strekk deg for langt. Pass på å ha skikkelig fotfeste og balanse til enhver tid.** Dette muliggjør bedre kontroll over elektroverktøyet i uventede situasjoner.
  - f) **Kle deg riktig. Ikke bruk løse klær eller smykker. Hold hår og klær på avstand fra bevegelige deler.** Løse klær, smykker eller langt hår kan sette seg fast i bevegelige deler.
  - g) **Hvis det leveres enheter for tilkobling av støvavsug og oppsamlingsanlegg, sørg for at disse er tilkoblet og riktig brukt.** Bruk av støvoppsamlingsutstyr kan redusere støvrelaterte farer.
  - h) **Selv om du har opparbeidet deg erfaring gjennom hyppig bruk av verktøyet må du alltid være årvåken og følge sikkerhetsinstruksjonene.** Et ørlite øyeblikks uoppmerksomhet er alt som skal til for at alvorlige personskader kan oppstå.
- 4) **BRUK OG VEDLIKEHOLD AV ELEKTROVERKTØY**
    - a) **Ikke legg press på elektroverktøyet. Bruk et elektroverktøy som er egnet for det du skal gjøre.** Et egnet elektroverktøy vil gjøre jobben på en bedre og tryggere måte, i den hastigheten verktøyet er konstruert for.
    - b) **Ikke bruk elektroverktøyet hvis bryteren ikke slår det på og av.** Elektroverktøy som ikke kan kontrolleres med bryteren er farlig og må repareres.
    - c) **Koble støpselet fra strømkilden og/ eller fjern batteripakken, hvis den kan tas av, fra verktøyet før du foretar justeringer, skifter tilbehør eller lagrer elektroverktøyet.** Slike forebyggende sikkerhetstiltak reduserer risikoen for at det elektriske verktøyet starter utilsikket.
    - d) **Oppbevar elektroverktøy utilgjengelig for barn, og ikke la personer som ikke er kjent med verktøyet eller disse instruksjonene, betjene maskinen.** Elektroverktøy er farlige når de brukes av uerfarne personer.
    - e) **Elektroverktøy og tilbehør må vedlikeholdes. Se etter feiljusteringer eller oppbinding av bevegelige deler, skadede deler og eventuelle andre forhold som kan påvirke elektroverktøets funksjon. Hvis det er skadet, må elektroverktøyet repareres før bruk.** Mange ulykker forårsakes av elektroverktøy som ikke er godt vedlikeholdt.
    - f) **Hold skjæreverktøyet skjerpet og rent.** Riktig vedlikehold av skjæreverktøy med skarpe kanter gjør at det er mindre sannsynlighet for oppbinding, og at det er lettere å kontrollere.
  - g) **Bruk elektroverktøy, tilbehør, bits, osv. i henhold til disse anvisningene, og ta hensyn til omgivelsene og arbeidet som skal utføres.** Bruk av elektroverktøy til andre formål enn det som er angitt, kan føre til farlige situasjoner.
  - h) **Hold håndtakene og gripeflatene tørre, rene og fri for olje og fett.** Glatte håndtak og gripeflater vil gjøre det vanskelig å kontrollere verktøyet og håndtere det på en sikker måte i uventede situasjoner.
- 5) **BRUK OG VEDLIKEHOLD AV BATTERIVERKTØY**
    - a) **Lades bare med ladere som er spesifisert av produsenten.** En lader som passer for én type batteripakke, kan gi brannfare dersom den brukes med andre batteripakker.
    - b) **Elektroverktøyet skal bare brukes med spesifiserte batteripakker.** Bruk av andre batteripakker kan skape risiko for skader og brann.
    - c) **Når batteriet ikke er i bruk skal det holdes unna andre metallgjenstander som binders, mynter, nøkler, spikere, skruer eller andre små metallgjenstander som kan lage forbindelse fra én terminal til en annen.** Kortslutning av batteripolene kan forårsake brannskader eller brann.
    - d) **Under farlige forhold kan væske komme ut av batteriet. Unngå kontakt med denne. Hvis kontakt oppstår ved et uhell, skyll med vann.** Får du væske i øynene, skal det i tillegg søkes medisinsk hjelp. Væske som blir slynget ut av batteriet, kan forårsake irritasjon eller brannskader.
    - e) **Ikke bruk en batteripakke eller et verktøy som er skadet eller tilpasset.** Skadde eller modifiserte batterier kan oppføre seg uforutsigbart og medføre brann, eksplosjon eller risiko for personskade.
    - f) **Ikke eksponer batteripakken eller verktøyet for ild eller svært høye temperaturer.** Eksponering for ild eller temperaturer over 130 °C kan forårsake eksplosjon.
    - g) **Følg alle ladeinstruksjonene, og ikke lad batteripakken eller verktøyet utenfor temperaturområdet som er angitt i instruksjonene.** Hvis batteriet lades på feil måte eller ved temperaturer som er utenfor det angitte området, kan batteriet bli skadet og brannrisikoen øke.
  - 6) **SERVICE**
    - a) **Elektroverktøyet må repareres av et kvalifisert serviceverksted som kun bruker identiske reservedeler.** Dette opprettholder sikkerheten til elektroverktøyet.
    - b) **Batteripakker som er skadet, må aldri brukes. Service på batteripakker må bare utføres av produsenten eller autoriserte tjenesteleverandører.**

#### SIKKERHETSINSTRUKSJONER FOR BØRSTELØSE SIRKELSAGER

#### SIKKERHETSINSTRUKSJONER FOR ALLE SAGER

- a) **FARE:** Hold hendene unna skjærområdet og bladet. Hold den andre hånden på hjelpehåndtaket eller motorhuset. Hvis begge hender holder sager, kan de ikke kutter av bladet.
- b) **Ikke ta under arbeidsstykket.** Beskyttelsen kan ikke beskytte deg mot bladet under arbeidsstykket.
- c) **Juster skjæredybden til tykkelsen på**

**arbeidsstykket.** Mindre enn en full tann av bladtennene skal være synlige under arbeidsstykket.

- d) **Hold aldri arbeidsstykket i hendene eller på tvers av beinet mens du skjærer. Fest arbeidsstykket til en stabil plattform.** Det er viktig å støtte arbeidet riktig for å minimere kroppseksposering, bladbinding eller tap av kontroll.
- e) **Hold elektroverktøyet i de isolerte gripeflatene når du utfører en operasjon der skjæreverktøyet kan komme i kontakt med skjulte ledninger.** Kontakt med en "strømførende" ledning vil også gjøre eksponerte metalldeleer på elektroverktøyet "strømførende" og kan gi operatøren et elektrisk støt.
- f) **Når du river, bruk alltid et rivegjerde eller rettkantfører.** Dette forbedrer kuttnøyaktigheten og reduserer sjansen for bladbinding.
- g) **Bruk alltid blader med riktig størrelse og form (diamant versus rund) på dornehull.** Blader som ikke samsvarer med festemaskinvaren på sagen, vil løpe utenfor senteret og forårsake tap av kontroll.
- h) **Bruk aldri skadede eller feil skiver eller bolter.** Bladskivene og bolten er spesialdesignet for sagen din, for optimal ytelse og driftssikkerhet.

## YTTERLIGERE SIKKERHETSINSTRUKSJONER FOR ALLE SAGER

### TILBAKESLAGÅRSÅK OG RELATERTE ADVARSLER

- tilbakeslag er en plutselig reaksjon på et klemt, fastkjørt eller feiljustert sagblad, noe som får en ukontrollert sag til å løfte seg opp og ut av arbeidsstykket mot operatøren;
- når bladet klemmes eller klemmes fast ved at tangen stenges, stopper bladet og motorreaksjonen driver enheten raskt tilbake mot operatøren;
- hvis bladet blir vridd eller feiljustert i snittet, kan tennene på bladets bakkant grave seg inn i treetsoverflate og få bladet til å klatre ut av haken og hoppe tilbake mot operatøren.

Tilbakeslag er et resultat av feilbruk av sagen og/eller feil bruksprosedyrer eller forhold og kan unngås ved å ta de nødvendige forholdsregler som angitt nedenfor.

- a) **Hold et fast grep med begge hender på sagen og plasser armene dine for å motstå tilbakeslagskrefter.** Plasser kroppen på hver side av bladet, men ikke på linje med bladet. Tilbakeslag kan føre til at sagen hopper bakover, men tilbakeslagskrefter kan kontrolleres av operatøren, hvis det tas passende forholdsregler.
- b) **Når bladet bindes, eller når du avbryter et kutt av en eller annen grunn, slipper du avtrekkeren og holder sagen ubevegelig i materialet til bladet stopper helt. Prøv aldri å fjerne sagen fra arbeidet eller trekk sagen bakover mens bladet er i bevegelse, ellers kan det oppstå tilbakeslag.** Undersøk og ta korrigerende tiltak for å eliminere årsaken til bladbinding.
- c) **Når du starter en sag i arbeidsstykket på nytt, sentrerer du sagbladet i tappen slik at sagtennene ikke kommer i inngrep i materialet.** Hvis et sagblad binder seg, kan det gå opp eller gi tilbakeslag fra arbeidsstykket når sagen startes på nytt.
- d) **Støtt store paneler for å minimere risikoen for klemming av kniv og tilbakeslag.** Store paneler har en tendens til å falle under sin egen vekt. Støtter må

plasseres under panelet på begge sider, nær snittlinjen og nær kanten av panelet.

- e) **Ikke bruk sløve eller ødelagte kniver.** Uslipte eller feil innstilte kniver gir smale rifler som forårsaker overdreven friksjon, bladbinding og tilbakeslag.
- f) **Knivdybde og skråjusterende låsehendler må være stramme og sikre før du skjærer.** Hvis bladjusteringen skifter mens du skjærer, kan det føre til binding og tilbakeslag.
- g) **Vær ekstra forsiktig når du sager inn i eksisterende vegger eller andre blinde områder.** Det utstikkende bladet kan kutte gjenstander som kan forårsake tilbakeslag.

### NEDRE VAKTFUNKSJON

- a) **Kontroller at den nedre beskyttelsen er korrekt lukket før hver bruk. Ikke bruk sagen hvis den nedre beskyttelsen ikke beveger seg fritt og lukkes umiddelbart. Ikke klem eller fest den nedre beskyttelsen i åpen posisjon.** Hvis sagen ved et uheld faller ned, kan den nedre beskyttelsen være bøyd. Løft den nedre beskyttelsen med det tilbaketrekkelige håndtaket, og pass på at den beveger seg fritt og ikke berører bladet eller andre deler i alle vinkler og dybder.
- b) **Kontroller driften av den nedre beskyttelsesfjæren. Hvis beskyttelsen og fjæren ikke fungerer som den skal, må de repareres før bruk.** Nedre beskyttelse kan fungere tregt på grunn av skadede deler, gummiaktige avleiringer eller opphopning av rusk.
- c) **Den nedre beskyttelsen kan trekkes tilbake manuelt kun for spesielle kutt som "dykksnitt" og "sammensatte kutt". Løft den nedre beskyttelsen ved å trekke i håndtaket, og så snart bladet kommer inn i materialet, må den nedre beskyttelsen løses.** For all annen saging bør den nedre beskyttelsen fungere automatisk.
- d) **Vær alltid oppmerksom på at den nedre beskyttelsen dekker bladet for du legger sagen ned på benk eller gulv.** Et ubeskyttet, skjærende blad vil få sagen til å gå bakover og kutte det som er i veien. Vær oppmerksom på tiden det tar før bladet stopper etter at bryteren slippes.

### GENERELL

- Dette verktøyet bør ikke brukes av personer under 16 år.
- Dette verktøyet er ikke egnet for våtskjæring.
- **Ikke bearbeid materialer som inneholder asbest** (asbest anses som kreftfremkallende).
- Støv fra materialer som maling som inneholder bly, enkelte tresorter, mineraler og metall kan være skadelig (kontakt med eller innånding av støvet kan forårsake allergiske reaksjoner og/eller luftveissykdommer hos operatøren eller tilskuere); **bruk støvmaske og arbeid med en støvavsugingsenhet når den kan kobles til.**
- Visse typer støv er klassifisert som kreftfremkallende (som eik- og bokstøv), spesielt i forbindelse med tilsetningsstoffer for trebehandling; **bruk støvmaske og arbeid med en støvavsugingsenhet når den kan kobles til.**
- Følg de støvrelaterte nasjonale kravene for materialene du ønsker å jobbe med.
- Ikke bruk denne sagen i kombinasjon med et sagbord.
- Fjern batteriet fra verktøyet før du foretar justeringer eller bytter tilbehør.

### TILBEHØR

- SKIL kan kun sikre feilfri funksjon av verktøyet når

originalt tilbehør brukes.

- Bruk kun tilbehør med en tillatt hastighet som tilsvarer minst den høyeste tomgangshastigheten til verktøyet.
- Bruk kun sagblad som samsvarer med de karakteristiske dataene gitt i denne bruksanvisningen og som er testet og merket i henhold til EN 847-1
- Bruk kun sagblader med en diameter på 165 mm og et spindelhull på 16 mm.
- Bruk aldri slipe-/kappeskiver med dette verktøyet

#### FØR BRUK

- Unngå skader som kan forårsakes av skruer, spiker og andre elementer i arbeidsstykket ditt; fjern dem før du begynner å jobbe.
- Fjern alle hindringer på toppen av og under skjærebanelen før du begynner å skjære.
- **Sikre arbeidsstykket** (et arbeidsstykke som er fastklemt med klemanordninger eller i en skrustikke holdes sikrere enn for hånd).
- **Bruk egnede detektorer for å finne skjulte ledninger eller ring det lokale forsyningsselskapet for å få hjelp** (kontakt med elektriske ledninger kan føre til brann eller elektrisk støt; skade på en gassledning kan resultere i en eksplosjon; penetrering av et vannrør vil forårsake skade på eiendom eller en elektrisk sjokk).

#### UNDER BRUK

- Støynivået under arbeid kan overstige 85 dB(A); bruk hørselsvern.
- Bruk aldri verktøyet uten det originale beskyttelsessystemet.
- Ikke forsøk å kutte ekstremt små arbeidsstykker.
- Ikke arbeid over hodet med verktøyet.
- Ved fastkjøring eller elektrisk eller mekanisk feil, slå av verktøyet umiddelbart og ta ut batteriet.

#### ETTER BRUK

- Når du legger fra deg verktøyet, slå av motoren og sørg for at alle bevegelige deler har stoppet helt.
- Etter at du har slått av sirkelsagen, må du aldri stoppe rotasjonen av sagbladet med en sidekraft som utøves mot det.

#### BATTERIER

- **Batteriet som følger med, hvis det finnes, er delvis oppladet** (for å sikre full kapasitet til batteriet, lad batteriet helt i batteriladeren før du bruker elektroverktøyet for første gang)
- **Bruk kun følgende batterier og ladere med dette verktøyet**
  - SKIL-batteri: BR1\*31\*\*\*\*
  - SKIL-lader: CR1\*31\*\*\*\*
- Ikke bruk batteriet når det er skadet; den bør skiftes ut umiddelbart.
- Ikke demonter batteriet.
- Ikke utsett verktøyet/batteriet for regn.
- Tillatt omgivelsestemperatur (verktøy/lader/batteri):
  - ved lading 4...40°C
  - under drift -20...+50°C
  - under lagring -20...+50°C

#### FORKLARING AV SYMBOLER PÅ VERKTØY

- ③ Les bruksanvisningen før bruk
- ④ Batterier kan eksplodere når de kastes i brann, så ikke brenn batteriet uansett årsak
- ⑤ Oppbevar verktøy/lader/batteri på steder der temperaturen ikke vil overstige 50°C
- ⑥ Ikke kast elektrisk verktøy og batterier sammen med husholdningsavfall

## BRUK

- Lader batteriet
- ! **les sikkerhetsadvarslene og instruksjonene som følger med laderen**
- Ta ut/installere batteriet ②
- Batterinivåindikator ⑦
- trykk på batterinivåindikatorknappen AB for å vise gjeldende batterinivå ⑦a
- ! **når det laveste nivået på batteriindikatoren begynner å blinke etter å ha trykket på knappen AB ⑦b, er batteriet tomt**
- ! **når 2 nivåer av batteriindikatoren begynner å blinke etter å ha trykket på knappen AB ⑦c, er batteriet ikke innenfor det tillatte driftstemperaturområdet**
- Shadow Line LED-lys ⑧
- Verktøyet ditt er utstyrt med et skyggelinje LED-lys plassert under den øvre beskyttelsen. Dette gir ekstra belysning på sagbladet og overflaten av arbeidsstykket. LED-lyset projiserer en skygge av sagbladet for å lede verktøyet langs ønsket snittlinje markert på arbeidsstykket.
- ! **test alltid først på et stykke skrapmateriale** LED-lyset slås automatisk på med et lett trykk på utløserbryteren. Den slås av ca. 10 sekunder etter at utløserbryteren slippes.
- ! **LED-lyset vil blinke raskt når verktøyet og/eller batteripakken blir overbelastet eller for varmt, og de interne sensorene vil slå av verktøyet. Hvil verktøyet en stund eller plasser verktøyet og batteripakken separat under luftstrøm for avkjøling.**
- ! **LED-lyset vil blinke saktere for å indikere at batteripakkens ladenivå er lavt. Lad opp batteripakken.**
- LED-rengjøringssskiven X innebygd i den øvre beskyttelsen er designet for å rengjøre LED-lyset. Når LED-lyset blir svakt på grunn av sagflis som har samlet seg på det, dreier du LED-rengjøringssskiven X i en hvilken som helst retning for å fjerne sagfliset og gjøre LED-lyset klart igjen.
- Batteribeskyttelse
- Verktøyet blir plutselig slått av eller forhindret fra å slå på, når
  - **lasten er for høy** --> fjern lasten og start på nytt
  - **batteritemperaturen er ikke innenfor det tillatte driftstemperaturområdet på -20 til +50°C** --> 2 nivåer av batterinivåindikatoren begynner å blinke når du trykker på knappen AB ⑦c; vent til batteriet er tilbake innenfor det tillatte driftstemperaturområdet
  - **batteriet er nesten tomt (for å beskytte mot dyp utlading)** --> lavt batterinivå eller blinkende lavt batterinivå ⑦b vises av batterinivåindikatoren når du trykker på knappen AB; lade batteriet
- ! **ikke fortsett å trykke på av/på-bryteren etter at verktøyet er slått av automatisk; batteriet kan være skadet**
- Montering av sagblad AA ②
- ! **ta batteriet ut av verktøyet**
  - ta unbrakonøkkel A fra lager B
  - trykk på spindelåseknappen C og hold den mens du fjerner bolt D ved å vri sekskantnøkkel A **MED**



**URVISEREN** (= i samme retning som pilen trykket på sagbladet)

**! trykk kun på spindellåseknappen C når verktøyet står helt stille**

- frigjør spindellåseknappen C
- fjern flens E

**! sørg for at klemflatene H på flensene er helt rene og vender mot bladet**

- åpne nedre beskyttelse F med spak G og hold den mens du monterer sagblad med sagtenner og pil trykket på sagbladet peker i samme retning som pilen på nedre beskyttelse
- slipp nedre beskyttelse F
- monter flens E
- trykk spindellåseknappen C og hold den mens du strammer bolten D med unbrakonøkkel A 1/8 omdreining forbi fingerstram (sikrer at sagbladet glipper når det møter for stor motstand, og reduserer dermed motoroverbelastning og tilbakeslag)
- frigjør spindellåseknappen C

- Justering av skjæredybde (0-57 mm) ⑨
  - løsne knott K
  - heve/senke fotplate J til ønsket skjæredybde er stilt inn på skala ved hjelp av skjæredybdeindikator L
  - stram knott K
  - for en optimal kuttkvalitet bør sagbladet ikke strekke seg mer enn én tenner under arbeidsstykket
- Justering av skjærevinkel (0-45°) ⑩
  - løsne knott M
  - vipp verktøyet til ønsket skjærevinkel er stilt inn på skalaen ved hjelp av skjærevinkelindikator N
  - stram knott M

**! ved skråsaging vil kuttedybden ikke korrespondere med verdien på kuttedybdeskalaen**

- Klippelinjeindikator P ⑪
  - for å styre verktøyet langs ønsket snittlinje markert på arbeidsstykket
  - for et rett 0°-kutt eller et 45°-skåret kutt, bruk den aktuelle indikatorlinjen

**! den brede delen av foten skal hvile på den**

**støttede delen av arbeidsstykket**

**! skjærebredden bestemmes av bredden på knivtennene og ikke av bredden på knivkroppen**

**! foreta alltid prøvekutt først for å bekrefte den faktiske snittlinjen**

- Støvsuging ⑫
  - Fest støvsugeradapteren R til støvavsugsporten Q med Phillips-skruen
  - For bruk av støvsuger
    - koble støvsugerslangen til støvsugeradapter R
  - ! la aldri støvsugerslangen forstyrre den nedre beskyttelsen F eller kutteoperasjonen**

Støvpose

- monter støvpose AC \*IKKE STANDARD INKLUDERT
- Betjening av verktøyet
  - montere batteri
  - hold alltid det bakre håndtaket S godt med den ene hånden og det fremre håndtaket T med den andre hånden
  - plasser verktøyet med forenden av foten flatt på arbeidsstykket

**! sørg for at sagtennene ikke griper inn i arbeidsstykket**

- slå på verktøyet ved først å trykke på sikkerhetsbryteren W og deretter trykke på utløserbryteren V

**! verktøyet må ha nådd maks. hastighet før sagbladet kommer i kontakt med arbeidsstykket**

- nedre beskyttelse F åpnes automatisk når sagbladet går inn i arbeidsstykket (åpne nedre beskyttelse manuelt ved å bruke spak G kun for spesielle kutt som dykkkutt)

**! ikke bruk makt på verktøyet (før verktøyet lett og kontinuerlig for å unngå overoppheting av bladspissene)**

- etter å ha fullført kuttet, slå av verktøyet ved å slippe utløserbryteren V

**! sørg for at bladet har stoppet helt før du løfter verktøyet fra arbeidsstykket**

## PÅFØRINGSSRÅD

- Legg alltid den gode siden av arbeidsstykket ned for å sikre minst mulig splinting.
- Bruk kun skarpe sagblad av riktig type ⑬
  - kuttkvaliteten forbedres med antall tenner
  - kniver med karbidspiss holder seg skarpe opptil 30 ganger lenger enn vanlige kniver
- Tverrsnitt/rivsnitt ⑭
  - Tvers- eller rip-kutt er enkle å gjøre med en parallellføring Y.
  - juster retningslinjen med 0°-skjærelinjeindikatoren P på foten
  - før en parallell føring Y gjennom sporene på hver side av foten til ønsket bredde og fest med knott Z
- ! sørg for at ripegerdet ikke forstyrrer den frie bevegelsen til den nedre beskyttelsen og sagbladet**
- Dykkskjæring ⑮
  - still inn ønsket skjæredybde
  - vipp verktøyet fremover med skjærelinjeindikator P på linje med ønsket snittlinje markert på arbeidsstykket
  - åpne nedre beskyttelse F med spak G
  - like før bladet går inn i arbeidsstykket, slå på verktøyet og senk gradvis bakenden av verktøyet ved å bruke forenden av foten som hengselpunkt
  - beveger verktøyet gradvis nedover og fremover
  - så snart bladet kommer inn i materialet, slipp spak G
- ! ikke for verktøyet bakover**
- Kutting av store paneler ⑯
  - støttepanel nær snittet enten på gulv, bord eller arbeidsbenk
- ! still inn skjæredybden slik at du skjærer gjennom panel og ikke gjennom støtte**
- i tilfelle parallellføring ikke tillater ønsket bredde på kutt, klem eller spik rett trestykke til arbeidsstykket som en guide, og bruk høyre side av foten mot denne føringen ⑰
- Kutting med styreskinne ⑲
  - \*IKKE STANDARD INKLUDERT
  - Bruken av en styreskinne gir presise, rette, nøyaktige kutt, enten ved 45° eller 90° skråsnitt.
  - Før du gjør det første kuttet med sidesporet, må gummileppen tilpasses sirkelsagen som brukes.
  - for et rett 90° kutt, opprett 90° skråsiden av skinnen AD (eller 45° skråsiden når du gjør et 45° skråsnitt) med ønsket kuttlinje merket på arbeidsstykket.
  - fest styreskinnen AD godt på arbeidsstykket med

styreskinneklemmer AE <sup>16</sup> \*IKKE STANDARD INKLUDERT

- skyv sagen inn på styreskinnen AD, sørg for at sagen kan gli fritt på skinnen uten å svinge sidelengs.
  - Husk å ta hensyn til tykkelsen på styreskinnen AD ved innstilling av skjæredybden.
  - før sagen jevnt med langsom matehastighet gjennom enden av styreskinnen AD.
- For mer informasjon se [www.skil.com](http://www.skil.com)

## VEDLIKEHOLD/ SERVICE

- Denne maskinen er ikke beregnet for profesjonell bruk.
- Hold alltid verktøyet rent.
- **! fjern batteriet fra verktøyet før rengjøring**
- Hold alltid området rundt nedre beskyttelse F <sup>2</sup> rent (fjern støv og spon ved å blåse ut med trykkluft eller med en børste).
- Rengjør sagbladet umiddelbart etter bruk (spesielt for harpiks og lim).
- Hvis verktøyet skulle svikte til tross for forsiktighet i produksjons- og testprosedyrene, bør reparasjonen utføres av et ettersalgsservicesenter for SKIL-elektroverktøy.
  - send verktøyet umontert sammen med kjøpsbevis til din forhandler eller nærmeste SKIL-servicesasjon (adresser samt serviceskjema for verktøyet er oppført på [www.skil.com](http://www.skil.com))
- Vær oppmerksom på at skade på grunn av overbelastning eller feil håndtering av verktøyet vil bli ekskludert fra garantien (for SKILs garantibetingelser se [www.skil.com](http://www.skil.com) eller spør din forhandler).

## MILJØ

Bare for EU-land

- **Ikke kast elektrisk verktøy, tilbehør og emballasje sammen med husholdningsavfall**
    - i henhold til EU-direktiv 2012/19/EF om kasserte elektriske og elektroniske produkter og direktivets iverksettning i nasjonal rett, må elektroverktøy som ikke lenger skal brukes, samles separat og returneres til et miljøvennlig gjenvinningsanlegg
    - symbolet <sup>6</sup> vil minne deg på dette når behovet for avhending oppstår
- ! før batteriene kastes, tape over polene med tykk tape for å unngå kortslutning**

## STØY / VIBRASJON

- Målt i henhold til EN 62841 er lydtrykknivået til dette verktøyet 94 dB(A) og lydeffektnivået 102 dB(A) (usikkerhet K = 3 dB), og vibrasjonen <math>2,5 \text{ m/s}^2</math> (triax vektorsum; usikkerhet K = 1,5 m/s<sup>2</sup>).
- Vibrasjonsutslippsnivået er målt i henhold til en standardisert test gitt i EN 62841; det kan brukes til å sammenligne ett verktøy med et annet og som en foreløpig vurdering av eksponering for vibrasjoner ved bruk av verktøyet til de nevnte bruksområdene
  - bruk av verktøyet til forskjellige bruksområder, eller med annet eller dårlig vedlikeholdt tilbehør, kan øke eksponeringsnivået betydelig.
  - tidspunktene når verktøyet er slått av eller når det kjører, men ikke faktisk gjør jobben, kan redusere eksponeringsnivået betydelig.

**! beskytt deg selv mot virkningene av vibrasjoner ved å vedlikeholde verktøyet og utstyret, holde hendene varme og organisere arbeidsmåten din**

FIN

## Harjaton pyörösaha

3551

### ESITTELY

- Tämä työkalu on tarkoitettu puun pituus- ja poikittaissahaauksiin suorilla sahauksilla sekä kulmasahauksilla jopa 45° asti
- Tätä työkalua ei ole tarkoitettu ammattikäyttöön
- Lue ja säilytä tämä ohjekirja <sup>3</sup>

### TEKNISET TIEDOT <sup>1</sup>

### KONEEN OSAT <sup>2</sup>

- A Kuusiokoloavain
  - B Säilytyspaikka kuusiokoloavaimelle
  - C Karan lukituspainike
  - D Pultti
  - E Laippa
  - F Alasuojus
  - G Alasuojuksen avausvipu
  - H Puristuspinta
  - J Jalkalevy
  - K Nuppi sahausvyöyden asettamiseksi
  - L Sahaussyöyden osoitin
  - M Sahauskulman säätönuppi
  - N Sahauskulman osoitin
  - P Sahauslinjan osoitin
  - Q Pölynpoistoliitäntä
  - R Pölynimurin sovitin
  - S Takakahva
  - T Etukahva
  - U Ohjainkiskon aukko
  - V Liipaisukytkin
  - W Turvakytkin
  - X LEDin puhdistusvalitsin
  - Y Rinnakkaisohjain
  - Z Rinnakkaisohjaimen säätönuppi
  - AA Sahanterä
  - AB AAKun varaustason ilmaisin
  - AC APölypussi\*
  - AD AOhjainkisko
  - AE AOhjainkiskon puristin\*
- \* EI SISÄLLY VAKIOTOIMITUKSEEN

## TURVALLISUUS

### YLEISET KONEEN TURVALLISUUSVAROITUKSET

**VAROITUS** Lue kaikki tämän sähkötyökalun mukana tulleet turvallisuusvaroitukset, ohjeet, piirustukset ja tekniset tiedot. Jos kaikkia alla olevia ohjeita ei noudateta, seurauksena saattaa olla sähköisku, tulipalo ja/tai vakava loukkaantuminen.

**Säilytä kaikki varoitukset ja ohjeet myöhempää käyttöä varten.**

Varoituksissa käytetty termi ”sähkötyökalu” tarkoittaa joko verkkovirtakäyttöistä (johdollista) sähkötyökaluja tai akkukäyttöistä (johdotonta) sähkötyökaluja.

### 1) TYÖALUEEN TURVALLISUUS

- a) **Pidä työskentelyalue esteettinä ja hyvin valaistuna.** Sotkuiset tai hämärät alueet aiheuttavat onnettomuuksia.
- b) **Älä käytä sähkötyökaluja räjähdysriskissä ympäristössä, kuten syttyvien nesteiden, kaasujen tai pölyn läheisyydessä.** Sähkötyökalu saattavat aiheuttaa kipinöitä, jotka voivat sytyttää tomun tai höyryjä.
- c) **Älä päästä lapsia tai sivullisia lähelle, kun käytät sähkötyökaluja.** Häiriötökijät voivat aiheuttaa hallinnan menettämisen.

### 2) SÄHKÖTURVALLISUUS

- a) **Sähkötyökulun pistotulpan on vastattava pistorasiala.** Älä ikinä muokkaa pistotulppaa millään tavalla. Älä käytä minkäänlaisia sovittipistotulppia maadoitettujen sähkötyökulujen kanssa. Muokkaamattomat pistokkeet ja niihin sopivat pistorasiat vähentävät sähköiskun vaaraa.
- b) **Vältä koskemasta vartalollasi maadoitettuihin pintoihin, kuten putkiin, lämmityspattereihin, liesiin ja jääkaappeihin.** Sähköiskun riski kasvaa, jos kehosi on maadoitettu.
- c) **Älä altista sähkötyökaluja sateelle tai kosteudelle.** Sähkötyökaluun pääsevä vesi lisää sähköiskun vaaraa.
- d) **Älä väärinkäytä johtoa.** Älä koskaan kannata tai vedä laitetta johdosta tai irrota pistoketta pistorasiasta johdosta vetämällä. Pidä johto poissa tulen, öljyn, terävien reunojen tai liikkuvien osien läheltä. Vahingoittuneet tai sotkeutuneet johdot lisäävät sähköiskun vaaraa.
- e) **Kun käytät sähkötyökaluja ulkona, käytä ulkokäyttöön tarkoitettua jatkojohtoa.** Ulkokäyttöön tarkoitettujen jatkojohdon käyttö vähentää sähköiskun riskiä.
- f) **Jos et voi välttää sähkötyökulun käyttöä kosteissa olosuhteissa, käytä vikavirtasuojakytkimellä (vsvk) suojattua virtälähdettä.** Vikavirtasuojakytkimen käyttö vähentää sähköiskun vaaraa.

### 3) HENKILÖKOHTAINEN TURVALLISUUS

- a) **Ole valpas, tarkkaavainen ja käytä maalaisjärkeä, kun käytät sähkötyökaluja.** Älä käytä sähkötyökaluja, jos olet väsynyt tai huumeiden, alkoholin tai lääkkeiden vaikutuksen alaisena. Hetkellinenkin huomion herpaantuminen sähkötyökaluja käytettäessä saattaa aiheuttaa vakavan henkilökohtaisen vamman.
- b) **Käytä henkilönsuojaimia. Käytä aina silmäsuojaimia.** Suojavarusteiden, kuten hengityssuojaimen, luistamattomien turvakengien, suojakypärän tai kuulosuojaimien, käyttö tarvittaessa vähentää loukkaantumisvaaraa.
- c) **Estä vahingossa käynnistyminen.** Varmista, että kytkin on off-asennossa, ennen kuin liität virtälähteen ja/tai akun, nostat laitteen tai kannat sitä. Työkulun kantaminen sormi virtakytkimellä tai virta kytkettyä olevan työkalun liittäminen pistorasiaan muodostaa onnettomuusvaaran.
- d) **Poista kaikki säätöön käytetyt avaimet tai kiintoavaimet ennen kuin käynnistät sähkötyökulun.** Sähkötyökulun pyöriivään osaan jätetty avain tai kiintoavain saattaa aiheuttaa henkilövamman.

- e) **Älä kurkottele.** Säilytä aina tukeva asento ja hyvä tasapaino. Näin hallitset sähkötyökulun parhaalla mahdollisella tavalla odottamattomissa tilanteissa.
  - f) **Pukeudu asianmukaisesti. Älä käytä välijä vaatteita tai koruja.** Pidä hiukset ja vaatteet etäällä liikkuvista osista. Hiälät vaatteet, korut tai pitkät hiukset voivat tarttua kiinni liikkuviin osiin.
  - g) **Jos laitteissa on liitännät pölynpoistolaitteille ja keräilylaitteille, varmista, että ne on liitetty ja niitä käytetään oikein.** Pölynpoistolaitteiden käyttö vähentää pölyn liittyviä vaaroja.
  - h) **Älä anna tuotteen tuttuuden toistuvan käytön takia tehdä sinua liian itsevarmaksi, äläkä jätä työkalun turvallisuusohjeita noudattamatta.** Huolimaton toiminta voi aiheuttaa vakavan henkilövahingon sekunnin murto-osassa.
- ### 4) SÄHKÖTYÖKALUJEN KÄYTTÖ JA KUNNOSSAPITO
- a) **Älä pakota sähkötyökaluja.** Käytä omaan käyttötarkoitukseesi soveltuvaa sähkötyökaluja. Oikea sähkötyökalu suorituu parhaiten ja turvallisimmin tehtävästä sille tarkoitettua nopeudella.
  - b) **Älä käytä sähkötyökaluja, jos sitä ei saa käynnistettyä ja suljettua kytkimellä.** Sähkötyökulun, jota ei voida hallita kytkimellä, käyttö on vaarallista ja laite on korjattava.
  - c) **Irrota pistotulppa virtälähteestä ja/tai irrota akku sähkötyökaluista, jos irrottavissa, ennen kuin teet mitään säätöä, vaihdat apuvälineitä tai laitat sähkötyökulun varastoon.** Nämä estävät turvallisuus-toimenpiteet vähentävät sähkötyökulun vahingossa käynnistämisen riskiä.
  - d) **Säilytä käyttämättömiä sähkötyökaluja lasten ulottumattomissa, äläkä anna henkilöiden, jotka eivät tunne sähkötyökaluja tai näitä ohjeita, käyttää sähkötyökulun.** Sähkötyökalat ovat vaarallisia kokemattomien käyttäjien käsissä.
  - e) **Huolla sähkötyökaluja ja lisävarusteita.** Tarkista, että liikkuvat osat ovat kunnolla paikallaan, että osat ovat ehjiä, ja että sähkötyökaluissa ei ole muita ongelmia, jotka saattaisivat vaikuttaa sen toimintaan. Jos sähkötyökalu on vahingoittunut, korjauta se ennen käyttöä. Monet onnettomuudet johtuvat huonosti ylläpidetyistä sähkötyökaluista.
  - f) **Pidä leikkuutyökalu terävinä ja puhtaina.** Oikein huollettu leikkuutyökalu, joissa on terävät leikkuureunat, eivät todennäköisesti jumiudu, ja niitä on helpompi hallita.
  - g) **Käytä sähkötyökaluja, lisävarusteita ja teriä ym. näiden ohjeiden mukaisesti ja niin, että otat huomioon käyttöolosuhteet ja tehtävän työn.** Sähkötyökulujen käyttö muihin kuin niille suunniteltuihin tarkoituksiin saattaa aiheuttaa vaaratilanteen.
  - h) **Pidä kahvat ja tartuntapinnat kuivina, puhtaina, öljyttöminä ja rasvattomina.** Liukkaat kahvat ja tartuntapinnat eivät mahdollista työkalun turvallista käsittelyä ja hallintaa odottamattomissa tilanteissa.
- ### 5) AKKUTYÖKALUN KÄYTTÖ JA KUNNOSSAPITO
- a) **Lataa vain valmistajan määrittelemällä laturilla.** Laturi, joka sopii yhdyntyyppiselle akulle voi aiheuttaa tulipalovaaran, jos sitä käytetään toisenlaisen akun kanssa.
  - b) **Käytä sähkötyökaluissa vain erityisesti niihin tarkoitettuja akkuja.** Muunlaisten akkujen käyttö saattaa aiheuttaa henkilövahingon tai tulipalon vaaran.

- c) **Kun akku ei ole käytössä, pidä se erillään metalliesineistä, kuten paperiliittimet, kolikot, avaimet, naulat, ruuvit ja muut pienet metalliesineet, jotka voivat yhdistää akun navat toisiinsa.** Akun napojen oikosulku voi aiheuttaa palovammoja tai tulipalon.
- d) **Akusta voi valua nestettä väärästä käytöstä johtuen. Vältä kosketusta nesteeseen.** Jos kosket nesteeseen vahingossa, huuhtelee vedellä. Jos nestettä pääsee silmiin, hakeudu lääkärin hoitoon. Akusta valuva neste voi aiheuttaa ärsytystä tai palovammoja.
- e) **Älä käytä akkua tai työkalua, joka on vaurioitunut tai jota on muutettu.** Vaurioituneet tai muutetut akut voivat käyttäytyä arvaamattomasti ja aiheuttaa tulipalon, räjähdyksen tai henkilövahingon vaaran.
- f) **Älä altista akkua tai työkalua tulelle tai äärimmäisille lämpötiloille.** Altistaminen yli 130 °C:n lämpötilalle voi aiheuttaa räjähdyksen.
- g) **Noudata kaikkia latausohjeita.** Älä lataa akkua tai työkalua lämpötilassa, joka ole ohjeissa ilmoitetun lämpötila-alueen sisällä. Virheellinen lataaminen tai lataaminen ilmoitetun lämpötila-alueen ulkopuolella olevassa lämpötilassa voi vaurioittaa akkua ja lisätä palovaaraa.
- 6) HUOLTO**
- a) **Huollata sähkötyökalusi asiantuntevalla korjaajalla, joka käyttää vain identtisiä varaosia.** Näin taataan sähkötyökalun turvallisuuden säilyminen.
- b) **Älä koskaan huolla vaurioituneita akkuja. Akkujen huollon saa tehdä vain valmistaja tai sen valtuuttamat huoltoliikheet.**

## HARJATTOMIEN PYÖRÖSAHOJEN TURVALLISUUSOHJEET

### TURVALLISUUSOHJEET KAIKKIIN SAHOIHIN

- a) **VAARA: Pidä kädet kaukana sahausalueesta ja terästä. Pidä toinen käsi apukahvassa tai moottorikotelossa.** Jos pidät sahaa molemmin käsin, terä ei voi osua niihin.
- b) **Älä kurota työkappaleen alle.** Suojus ei voi suojata sinua terältä työkappaleen alapuolella.
- c) **Säädä leikkausvyvyys työkappaleen paksuuden mukaan.** Terä saa näkyä työkappaleen alapuolelta vain hampaan korkeutta vähemmän.
- d) **Älä koskaan pidä työkappaleita kädessäsi tai jalan päällä sahatessasi. Kiinnitä työkappale vakaalle alustalle.** On tärkeää tukea työkappale oikein kehon altistumisen, terän jumittumisen tai hallinnan menettämisen minimoimiseksi.
- e) **Pidä sähkötyökalua työskentelyn aikana vain eristetyistä tartuntapinnoista, koska leikkaava terä voi osua piilossa oleviin johtoihin.** Osuminen ”jännitteeseen” johtoon tekee myös sähkötyökalun metalliosat ”jännitteisiksi” ja saattaa aiheuttaa sähköiskun käyttäjälle.
- f) **Käytä halkaisussa aina halkaisuvastetta tai suorareunaista ohjainta.** Tämä parantaa sahausksen tarkkuutta ja pienentää terän kiinni jäämisen mahdollisuutta.
- g) **Käytä aina teriä, joissa on oikean kokoiset ja oikean muotoiset tuurnareiat (vinoneliö tai pyöreä).** Terät,

jotka eivät ole yhteensopivia sahan kiinnityslaitteen kanssa, toimivat epäkäsiksesi, ja johtavat hallinnan menettämiseen.

- h) **Älä koskaan käytä vaurioituneita tai virheellisiä terän aluslevyjä tai pulttia.** Terän aluslevyt ja pultti on suunniteltu erityisesti sahaasi varten optimaalisen suorituskyvyn ja turvallisuuden varmistamiseksi.

## LISÄTURVALLISUUSOHJEET KAIKKIIN SAHOIHIN

### TAKAPOTKUN SYYT JA SIIHEN LIITTYVÄT VAROITUKSET

- takaisku on äkillinen reaktio puristuneeseen, kiinni tarttuneeseen tai väärin kohdistettuun sahanterään, ja se saa aikaan hallitsemattoman sahan nousun ylös ja ulos työkappaleesta käyttäjää kohti;
- kun terä on puristuksissa tai tiukasti kiinni tarttuneena halkaisun sulkeutussa, terä pysähtyy ja moottorin reaktio ohjaa laitteen nopeasti takaisin käyttäjää kohti;
- Jos terä vääntyy tai on kohdistettu väärin sahauskeeseen, terän takareunan hampaat voivat kaivautua puun yläpintaan saaden aikaan terän nousun halkaisusta ja hypähdyksen takaisin käyttäjää kohti.

Takapotku johtuu laitteen väärinkäytöstä ja/tai vääristä käyttötoimenpiteistä tai -käyttöolosuhteista. Se voidaan välttää noudattamalla seuraavia varotoimia:

- a) **Pidä sahasta kiinni molemmin käsin tukevalla otteella ja pidä käsivartesi sellaisessa asennossa, että pystyt hallitsemaan takapotkuvoimat. Aseta vartalosi terän jommallekummalle puolelle, mutta ei terän suuntaisesti.** Takapotku voi aiheuttaa sahan hypäämisen taaksepäin, mutta käyttäjä voi hallita takapotkuvoimia, jos asianmukaiset varotoimet on toteutettu.
- b) **Jos terä on jumitunut tai sahaus keskeytetään jostakin syystä, vapauta liipaisin ja pidä sahaa liikkumattomana materiaalissa, kunnes terä pysähtyy kokonaan. Älä koskaan yritä irrottaa sahaa työstä tai vetää sahaa taaksepäin terän ollessa liikkeessä tai takapotku voi tapahtua.** Etsi terän jumittumisen syy ja tee korjaavat toimenpiteet syyn poistamiseksi.
- c) **Kun käynnistät sahan uudelleen työkappaleessa, keskitä sahanterä halkaisuun niin, että sahan hampaat eivät kiinnity materiaaliin.** Jos sahanterä jää kiinni, se voi nousta tai aiheuttaa takapotkun työkappaleesta, kun saha käynnistetään uudelleen.
- d) **Tue suuret levyt terän juuttumis- ja takaiskuvaaran minimoimiseksi.** Suurilla levyillä on taipumus painua oman painonsa voimasta. Tuet on sijoitettava levyjen alle molemmin puolin, sahauslinjan lähelle ja levyn reunan lähelle.
- e) **Älä käytä tylsiä tai vaurioituneita teriä.** Teroitamattomat tai väärin asetetut terät aiheuttavat kapean halkaisun, mikä lisää kitkaa, jumittaa sahanterän ja johtaa takapotkua.
- f) **Terän syvyyden ja viistesäätövipujen on oltava tiukat ja kiinnitettyinä ennen sahausta.** Jos terän säätö siirtyy sahausken aikana, seurauksena voi olla jumittuminen ja takapotku.
- g) **Ole erityisen varovainen sahatessasi olemassa oleviin seinisiin tai muihin katvealueisiin.** Ulkoneva terä voi osua kohteisiin, mikä voi aiheuttaa takapotkun.

## ALASUOJUKSEN TOIMINTA

- a) **Tarkista alasuojuksen kunnollinen sulkeutuminen ennen jokaista käyttökertaa. Älä käytä sahaa, jos alasuojus ei liiku vapaasti tai sulkeudu välittömästi. Älä koskaan kiinnitä tai sido alasuojusta avoimeen asentoon.** Jos saha putoaa vahingossa, alasuojus voi taipua. Nosta alasuojusta sisäänvedettävällä kahvalla, ja varmista, että se liikkuu vapaasti eikä kosketa terää tai muuta osaa missään sahauskulmissa tai sahaussvyykyissä.
- b) **Tarkista alasuojuksen jousen toiminta. Jos suojuus ja jousi eivät toimi kunnolla, ne on huollettava ennen käyttöä.** Alasuojus voi toimia hitaasti vaurioituneiden osien, tahmaisen liian tai roskien kerääntymisen johdosta.
- c) **Alasuojus on vedettävä sisään käsin vain erikoissahaussissa, kuten ”pistosahaus” ja ”yhdistelmäsaahas”. Nosta alasuojusta sisäänvedettävällä kahvalla ja heti kun terä tulee materiaaliin, alasuojus on vapautettava.** Kaikissa muissa sahauskissa alasuojuksen tulee toimia automaattisesti.
- d) **Tarkista aina, että alasuojus peittää terän, ennen kuin asetat sahan alas työpenkille tai lattialle.** Suojaamaton, liukuva terä saa sahan kulkemaan taaksepäin ja sahaamaan kaiken tielle osuvan. Ota huomioon aika, joka menee terän pysähtymiseen kytkimen vapauttamisen jälkeen.

## YLEISTÄ

- Alle 16-vuotiaat eivät saa käyttää tätä työkalua.
- Tämä työkalu ei sovellu märkäsahaustukseen.
- **Älä koskaan työstä asbestipitoista ainetta** (asbestia pidetään karsinogeenisena).
- Sellaisista materiaaleista, kuten lyijypitoinen maali, jotkin puulajit, mineraalit ja metalli, tuleva pöly voi olla vahingollista (pölyn kanssa kosketuksiin joutuminen tai sen hengittäminen voi aiheuttaa käyttäjälle tai sivullisille allergiareaktioita ja/tai hengityselinten sairauksia); **käytä hengityssuojainta ja työskentele pölynpoistolaitteen kanssa, kun sellainen on liitettävissä.**
- Tietäntyyppiset pölyt on luokiteltu karsinogeenisiksi (kuten tammi- ja pyökkipöly) erityisesti puun käsittelyyn käytettävien lisäaineiden yhteydessä; **käytä hengityssuojainta ja työskentele pölynpoistolaitteen kanssa, kun sellainen on liitettävissä.**
- Noudata pölyyn liittyviä kansallisia vaatimuksia materiaaleille, joiden kanssa työskentelet.
- Älä käytä tätä sahaa yhdessä sahapöydän kanssa.
- Irrota akku työkalusta ennen säätöjen tekemistä tai lisävarusteiden vaihtamista.

## LISÄVARUSTEET

- SKIL pystyy takaamaan työkalun moitteettoman toiminnan vain, kun käytetään alkuperäisiä tarvikkeita.
- Käytä vain lisävarusteita, joiden suurin sallittu nopeus vastaa vähintään työkalun suurinta tyhjäkäyntinopeutta.
- Käytä vain sellaisia sahanteriä, jotka vastaavat näissä käyttöohjeissa annettuja ominaisuustietoja, ja jotka on testattu ja merkitty EN 847-1 -standardin mukaisesti.
- Käytä vain sahanteriä, joiden halkaisija on 165 mm ja karan reikä 16 mm.
- Älä koskaan käytä hioma-/katkaisulaikkoja tämän työkalun kanssa.

## ENNEN KÄYTTÖÄ

- Vältä vaaralliset vahingot, jotka voivat aiheutua työkalupaleen ruuveista, nauloista tai muista esineistä;

poista ne ennen työskentelyn aloittamista.

- Poista kaikki esteet sahauslinjan ylä- ja alapuolelta ennen sahaamisen aloittamista.
- **Kiinnitä työkalupale** (kiinnittimeen tai puristimeen kiinnitetty työkalupale pysyy tukevammin paikoillaan kuin käsin pidettäessä).
- **Käytä sopivia etsintälaitteita piilossa olevien syöttöjohtojen paikallistamiseksi tai käänny paikallisen jakeluyltön puoleen** (kosketus sähköjohtoon saattaa johtaa tulipaloon ja sähköiskuun; kaasuputken vahingoittaminen saattaa johtaa räjähdykseen; vesiputkeen tunkeutuminen aiheuttaa aineellista vahinkoa tai saattaa johtaa sähköiskuun).

## KÄYTÖN AIKANA

- Melutaso työskentelyn aikana voi ylittää 85 dB(A); käytä kuulonsuojaimia.
- Älä koskaan käytä työkalua ilman alkuperäistä suojajärjestelmää.
- Älä yritä sahata erittäin pieniä työkalupaleita.
- Älä käytä työkalua pään yläpuolella.
- Jos kyseessä on juuttuminen tai huomaat sähköisen tai mekaanisen vian, sammuta työkalu heti ja irrota akku.

## KÄYTÖN JÄLKEEN

- Ennen työkalun laittamista pois sammuta moottori, ja varmista, että kaikki liikkuvat osat ovat täysin pysähtyneet.
- Kun olet sammuttanut pyörösahan, älä koskaan pysäytä sahanterän pyörimistä siihen kohdistetulla sivuttaisella voimalla.

## AKUT

- **Mukana toimitettu akku, jos sellainen on, toimitetaan osittain ladattuna** (varmistaa akun suoritusteho lataamalla akku aivan täyteen akkulaturilla ennen sähkötyökalun ensimmäistä käyttökertaa)
- **Käytä työkalun kanssa vain seuraavia akkuja ja latureita**
  - SKIL-akku: BR1\*31\*\*\*\*
  - SKIL-laturi: CR1\*31\*\*\*\*
- Älä käytä vahingoittunutta akkua, vaan vaihda se välittömästi.
- Älä pura akkua.
- Suojaa työkalu/akku sateelta.
- Sallittu ympäristön lämpötila (työkalu/laturi/akku):
  - ladattaessa 4...40 °C
  - käytön aikana -20...+50 °C
  - varastoinnin aikana -20...+50 °C

## TYÖKALUN SYMBOLIEN SELITYKSET

- ③ Lue käyttöohjeet ennen käyttöä
- ④ Akut räjähtävät, jos ne hävitetään polttamalla, joten älä missään tapauksessa polta niitä
- ⑤ Säilytä työkalu/laturia/akku paikoissa, joissa lämpötila ei ole yli 50 °C
- ⑥ Älä hävitä sähkötyökaluja ja akkuja tavallisen kotitalousjätteen mukana

## KÄYTTÖ

- Akun lataaminen
  - ! lue kaikki laturin mukana tulevat turvallisuusvaroitukset ja -ohjeet
- Akun irrottaminen/asentaminen ②
- Akun varaustason ilmaisimien ⑦
  - Näet akun nykyisen varaustason painamalla akun varaustason ilmaisinpainiketta ⑦a
  - ! kun akun ilmaisimen alin taso alkaa vilkkua

**painikkeen AB ⑦ b painamisen jälkeen, akku on tyhjä**

**! kun akun ilmaisen 2 tasoa alkaa vilkkua painikkeen AB ⑦ c painamisen jälkeen, akku ei ole sallitulla käyttölämpötila-alueella**

- Varjolinjan LED-valo ⑧

Työkalusi on varustettu varjolinjan LED-valolla, joka sijaitsee yläsuojuksen alla.

Se antaa lisävalaistuksen sahanterälle ja työkalupaleen pinnalle.

LED-valo heijastaa sahanterän varjon työkalun ohjaamiseksi haluttua leikkauslinjaa pitkin, joka on merkitty työkalupaleeseen.

**! testaa ensin ylimääräisellä kappaleella**

LED-valo syttyy automaattisesti liipaisinkytkimen pienellä puristuksella. Se sammuu automaattisesti noin 10 sekunnin kuluttua liipaisinkytkimen vapauttamisesta.

**! LED-valo alkaa vilkkua nopeasti, kun työkalu ja/ tai akku ylikuormittuu tai tulee liian kuumaksi ja sisäiset anturit kytkevät työkalun pois päältä.**

**Anna työkalun levätä vähän aikaa tai aseta työkalu ja akku erillään jäähtymään ilmvirtaukseen.**

**! LED-valo vilkkuu hitaammin osoittaen, että akun varaustaso on alhainen. Lataa akku uudelleen.**

Yläsuojukseen sisäänrakennettu LEDin puhdistusvalitsin X on suunniteltu puhdistamaan LED-valo. Kun LED-valo himmenee siihen kertyneen sahanpurun takia, käännä LEDin puhdistusvalitsinta X mihin tahansa suuntaan poistaaksesi sahanpurun ja tehdäksesi LED-valosta jälleen kirrkaan.

- Akun suojaus

Työkalu sammuu automaattisesti tai sitä ei voi kytkeä päälle, jos

- **kuormitus on liian suuri** --> vähennä kuormitusta ja käynnistä uudelleen

- **akun lämpötila ei ole sallitulla käyttölämpötila-alueella -20...+50 °C** --> 2 akun varaustason valoa alkaa vilkkua, kun painat painiketta AB ⑦ c; odota, kunnes akku on sallitulla käyttölämpötila-alueella uudelleen.

- **akku on lähes tyhjä (suojaus syväpurkautumista vastaan)** --> alhainen akun varaustaso tai vilkkuva akun alhainen taso ⑦ b näkyy akun lataustason ilmaisimissa, kun painat painiketta AB; lataa akku

**! älä jatka virtakytkimen painamista sen jälkeen, kun kone on kytkeytynyt pois päältä automaattisesti; akku voi vaurioitua**

- Sahanterän kiinnittäminen AA ②

**! irrota akku työkalusta**

- ota kuusiokoloavain A säilytyspaikasta B

- paina karan lukituspainiketta C ja pidä se pohjassa irrottaessasi pultin D kääntämällä kuusiokoloavainta A **MYÖTÄPÄIVÄÄN** (= sahanterään painetun nuolen suuntaan)

**! paina karan lukituspainiketta C vain työkalun ollessa täysin pysähdyksissä**

- vapauta karan lukituspainike C

- poista laippa E

**! varmista, että laippojen puristuspinnot H ovat täysin puhtaat, ja että ne osoittavat kohti terää**

- avaa alasuojus F vivulla G ja pidä siitä kiinni kiinnittäessäsi sahanterää siten, että sahan hampaat ja sahanterään merkitty nuoli osoittavat samaan suuntaan kuin alasuojuksessa oleva nuoli

- vapauta alasuojus F

- kiinnitä laippa E

- paina karanlukituspainiketta C ja pidä sitä painettuna samalla, kun kiristät pulttia D kuusiokoloavaimella A 1/8 kierroksen verran sormikireyttä tiukemmalle (varmistaa sahanterän liukumisen, kun se kohtaa liian suuren vastuksen, mikä vähentää moottorin ylikuormitusta ja sahan takaporttia)

- vapauta karan lukituspainike C

- Sahaussyvyyden säätö (0–57 mm) ⑨

- löysää nuppi K

- nosta/laske jalkalevyä J, kunnes haluamasi sahaussyvyys näkyy asteikon sahaussyvyyden osoittimessa L

- kiristä nuppi K

- optimaalisen sahauslaadun saavuttamiseksi sahanterä ei saa ulottua enempää kuin yhden hampaan verran työkalupaleen alapuolelle

- Sahauskulman säätäminen (0–45°) ⑩

- löysää nuppi M

- kallista työkalua, kunnes haluamasi sahauskulma on asetettu asteikon osoittimeen N

- kiristä nuppi M

**! kun sahataan viistoreunaa, sahaussyvyys ei vastaa sahaussyvyyden asteikolla näkyvää arvoa**

- Sahauslinjan osoitin P ⑪

- työkalun ohjaamiseen haluttua työkalupaleeseen merkittyä sahauslinjaa pitkin

- käytä suoraa sahausta 0° tai 45° viistesahausta varten vastaavaa osoitinlinjaa

**! pohjalevyn leveän osan pitäisi sijaita työkalupaleen tuetun osan päällä**

**! sahausleveys määräytyy terän hampaiden leveyden mukaan eikä terän rungon leveyden mukaan**

**! suorita aina ensin koehaus todellisen sahauslinjan tarkistamiseksi**

- Pölynimi ⑫

Kiinnitä pölynimurin sovitin R pölynpoistoliitäntään Q ristipääruuvilla

Pölynimurin käyttö

- liitä pölynimurin letku pölynimurin sovitteeseen R

**! älä päästä pölynimurin letkua häiritsemään alasuojusta F tai sahausta**

**! alasuojusta F tai sahausta**

Pölypussi

- asenna pölypussi AC \*EI SISÄLLY VAKIOITOIMITUKSEEN

- Työkalun käyttö

- kiinnitä akku

- pidä aina takakahvasta S tukevasti kiinni toisella kädellä ja etukahvasta T tukevasti toisella kädellä

- aseta työkalu siten, että jalan etuosa on tasaisesti työkalupaleen päällä

**! varmista, etteivät sahanterän hampaat ole kosketuksissa työkalupaleeseen**

- kytke työkalu päälle painamalla ensin turvakytkintä W ja vetämällä sitten liipaisinkytkintä V

**! koneen pitää käydä täysillä kierroksilla ennen sahanterän kosketusta työstettävään kappaleeseen**

- alasuojus F avautuu automaattisesti, kun sahanterä koskettaa työkalupaleetta (alasuojus avataan käsin vivusta G vain erikoissahausta, kuten pistosahausta,

varten)

**! älä paina työkalua väkisin (käytä kevyttä ja tasaista painallusta, jotta terän kärjet eivät ylikuumentu)**

- kun sahaus on suoritettu, sammuta työkalu vapauttamalla liipaisinkytkin V

**! varmista, että terä on täysin pysähtynyt, ennen nostat työkalun irti työkappaleesta**

## KÄYTTÖÄ KOSKEVIA NEUVOJA

• Käännä työkappaleen parempi puoli aina alaspäin, jotta pirstoutuminen olisi mahdollisimman vähäistä.

• Käytä vain oikeantyyppisiä teräviä sahanteriä <sup>(13)</sup>

- sahausksen laatu paranee hampaiden lukumäärän myötä

- kovametallikärkiset terät pysyvät terävinä jopa 30 kertaa pidempään kuin tavalliset terät

• Poikittaisleikkaukset/halkaisuleikkaukset <sup>(14)</sup>  
Poikittaisleikkaukset tai halkaisuleikkaukset on helppo tehdä rinnakkaisohjaimella Y.

- kohdista ohjausviiva jalassa olevan 0° sahauslinjan ilmaisimen P kanssa

- aseta rinnakkaisohjain Y jalan kummallakin puolella olevien rakojen läpi haluttuun leveyteen ja kiinnitä nupilla Z

**! varmista, että halkaisuohjain ei häiritse alasuojuksen ja sahanterän vapaata liikettä**

• Pistosahaus <sup>(15)</sup>

- aseta haluttu sahausvyvyys

- kallista työkalua eteenpäin siten, että sahauslinjan osoitin P yhtyy haluamaasi sahauslinjaan, joka on merkitty työkappaleeseen

- avaa alasuojus F vivulla G

- juuri ennen kuin terä koskee työkappaleeseen, käynnistä työkalu ja laske työkalun takaosaa vähitellen käyttämällä jalan etuosaa saranapisteensä

- liikuta työkalua vähitellen alaspäin ja eteenpäin

- kun terä menee materiaaliin, vapauta vipu G

**! älä koskaan vedä sahaa taaksepäin**

• Isojen levyjen sahaaminen <sup>(16)</sup>

- tue levy ennen sahaamista joko lattialle, pöydälle tai työpenkkiin

**! aseta sahausvyvyys siten, että sahaus tapahtuu levyn läpi eikä osu sen tukialustaan**

- jos rinnakkaisohjain ei salli halutun levyistä sahausta, kiinnitä suora puupala työkappaleeseen ohjaimeksi niin, että jalan oikea puoli tulee tätä ohjainta vasten <sup>(17)</sup>

• Sahaus ohjainkiskon kanssa <sup>(19)</sup>

**\*EI SISÄLLY VAKIOTOIMITUKSEEN**

Ohjainkisko tarjoaa täsmälliset, suorat ja tarkat sahausket joko 45° tai 90° viisteellä.

Ennen kuin teet ensimmäistä sahausta ohjainkiskon kanssa, kumihuuli on sovittava käytettävään pyörösahaan.

- suoraa 90° leikkausta varten kohdista kiskon AD 90° viisteen puoli (tai 45° viisteen puoli, kun teet 45° viistesahausten) haluttuun sahauslinjaan, joka on merkitty työkappaleeseen.

- kiinnitä ohjainkisko AD tiukasti työkappaleeseen ohjainkiskon puristimilla AE <sup>(18)</sup> \*EI SISÄLLY VAKIOTOIMITUKSEEN

- liu'uta saha ohjainkiskoon AD, varmista, että saha voi liukua vapaasti kiskolla kääntymättä sivuttain.

- kun asetat sahausvyvyttä, muista ottaa huomioon ohjainkiskon AD paksuus.

- ohjaa sahaa tasaisesti hitaalla syöttönopeudella ohjainkiskon AD päähän.

• Lisätietoja on osoitteessa [www.skil.com](http://www.skil.com)

## HOITO/HUOLTO

• Tätä konetta ei ole tarkoitettu ammattikäyttöön.

• Pidä työkalu aina puhtaana.

**! irrota akku työkalusta ennen puhdistamista**

• Pidä alasuojuksen F <sup>(2)</sup> ympäristö aina puhtaana (poista pöly ja lastut puhaltamalla paineilmalla tai harjaamalla).

• Puhdista sahanterä heti käytön jälkeen (erityisesti pinhasta ja liimasta).

• Jos työkalu ei huolellisesta valmistuksesta ja koestusmenettelystä huolimatta toimi asianmukaisella tavalla, tulee laitteen korjaus antaa SKIL-huoltokeskuksen tehtäväksi.

- toimita työkalu ostotositteen kanssa ja osiin purkamatta jälleenmyyjälle tai lähimpään SKIL-huoltokeskukseen (osoitteet ja työkalun huoltokaavio löytyvät web-sivustolta [www.skil.com](http://www.skil.com))

• Ota huomioon, että takuu ei kata työkalun ylikuormituksesta tai väärästä käsittelystä johtuvia vahinkoja (katso SKIL-takuuehdot osoitteesta [www.skil.com](http://www.skil.com) tai pyydä jälleenmyyjältä).

## YMPÄRISTÖ

Koskee vain EU-maita

• **Älä hävitä sähkötyökaluja, lisävarusteita tai pakkausta tavallisen kotitalousjätteen mukana**

- Vanhoja sähkö- ja elektroniikkalaitteita koskevan eurooppalaisen direktiivin 2012/19/EY ja sen maakohtaisten sovellusten mukaisesti käytetyt sähkötyökalut on toimitettava ongelmajätteen keräyspisteeseen ja ohjattava ympäristöystävälliseen kierrätykseen

- symboli <sup>(6)</sup> muistuttaa tästä, kun käytös poisto tulee ajankohtaiseksi

**! poistaessasi akun käytöstä peitä plus- ja miinusnapa sähköteipillä oikosulun estämiseksi**

## MELU/TÄRINÄ

• Mitattuna standardin EN 62841 mukaan tämän työkalun äänenpaineen taso on 94 dB (A) ja äänitehotaso 102 dB (A) (epävarmuus K = 3 dB) ja tärinä <2,5 m/s<sup>2</sup> (kolmeakselisen vektorin summa; epävarmuus K = 1,5 m/s<sup>2</sup>).

• Tärinäsäätelytaso on mitattu standardin EN 62841 mukaisen standarditestin mukaisesti; sitä voidaan käyttää verrattaessa yhtä laitetta toiseen sekä alustavana tärinälle altistumisen arviona käytettäessä työkalua mainituissa käyttötarkoituksissa

- työkalun käyttö eri käyttötarkoituksiin tai erilaisten tai huonosti huolletujen lisävarusteiden kanssa voi **nostaa** merkittävästi altistumistasoa.

- työkalun ollessa sammuksissa tai kun se on käynnissä, mutta sillä ei tehdä työtä, altistumistaso voi **laskea** merkittävästi.

**! suojaudu tärinän vaikutuksilta huoltamalla työkalu ja sen lisävarusteet, pitämällä kädet lämpiminä ja organisoimalla työmenetelmät**

## Sierra circular sin escobillas

3551

### INTRODUCCIÓN

- Esta herramienta está diseñada para cortes longitudinales y transversales de madera con cortes rectos y cortes en ángulo de hasta 45°.
- Esta herramienta no está prevista para uso profesional
- Lea y conserve este manual de instrucciones ③

### DATOS TÉCNICOS ①

### ELEMENTOS DE LA MÁQUINA ②

- A Llave hexagonal
  - B Almacenamiento para llave hexagonal
  - C Botón de bloqueo del eje
  - D Tornillo
  - E Brida
  - F Protección inferior
  - G Palanca para abrir la protección inferior
  - H Superficies de enganche
  - J Base
  - K Botón de ajuste de profundidad de corte
  - L Indicador de la profundidad de corte
  - M Botón para ajuste del ángulo de corte
  - N Indicador del ángulo de corte
  - P Indicador de la línea de corte
  - Q Puerto del extractor de polvo
  - R Adaptador de aspiradora
  - S Empuñadura trasera
  - T Empuñadura delantera
  - U Ranura para carril guía
  - V Gatillo interruptor
  - W Interruptor de seguridad
  - X Dial de limpieza LED
  - Y Guía paralela
  - Z Botón para ajuste de la guía paralela
  - AA Hoja de sierra
  - AB Alíndice de nivel de batería
  - AC ADepósito de polvo\*
  - AD ACarril guía\*
  - AE AMordaza del carril guía\*
- \*NO INCLUIDO DE SERIE

### SEGURIDAD

#### ADVERTENCIAS GENERALES DE SEGURIDAD DE LA MÁQUINA

**⚠ ADVERTENCIA** Lea todas las advertencias de seguridad, instrucciones, ilustraciones y especificaciones incluidas con esta herramienta eléctrica. Si no se cumplen todas las instrucciones que se enumeran a continuación, pueden producirse descargas eléctricas, incendios o lesiones graves.

Conserve todas las instrucciones y advertencias para poder consultarlas en el futuro.

El término «herramientas eléctricas» que aparece en las advertencias se refiere tanto a las herramientas que funcionan conectadas a la red eléctrica (con cable) como a las que funcionan con batería (inalámbricas).

#### 1) SEGURIDAD EN LA ZONA DE TRABAJO

- a) **Mantenga la zona de trabajo limpia y bien iluminada.** Las áreas de trabajo desordenadas y oscuras favorecen los accidentes.
- b) **No ponga en funcionamiento las herramientas eléctricas en entornos explosivos como, por ejemplo, donde haya líquidos inflamables, gases o polvo.** Las herramientas eléctricas generan chispas que podrían actuar como detonante de vapores y partículas de polvo inflamables.
- c) **Mantenga a los niños y las demás personas alejados cuando esté utilizando una herramienta eléctrica.** Las distracciones podrían hacerle perder el control de la herramienta.

#### 2) SEGURIDAD ELÉCTRICA

- a) **El enchufe de la herramienta eléctrica debe corresponder con la toma de corriente. No modifique nunca el enchufe de ningún modo.** Nunca utilice enchufes adaptadores o ladrones de corriente con herramientas eléctricas equipadas con conexión a tierra. Si no se modifican los enchufes y estos corresponden con las tomas de corriente, se reducirán enormemente los riesgos de electrocución.
  - b) **Evite cualquier contacto corporal con superficies conectadas a tierra, como tuberías, radiadores, hornillos eléctricos y frigoríficos.** Existe un mayor riesgo de descarga eléctrica si su cuerpo tiene conexión a tierra.
  - c) **No exponga las herramientas eléctricas a la lluvia o a la humedad.** Si penetra agua en una herramienta eléctrica, aumentará el riesgo de descarga eléctrica.
  - d) **No maltrate el cable. Nunca utilice el cable para transportar, arrastrar o desenchar la herramienta eléctrica.** Mantenga el cable alejado del calor, el aceite, los bordes afilados o las piezas móviles. Los cables dañados o enredados aumentan el riesgo de descarga eléctrica.
  - e) **Cuando use una herramienta eléctrica al aire libre, utilice un cable alargador adecuado para uso en exteriores.** Si se usa un cable adecuado para exteriores, se reducirá el riesgo de descarga eléctrica.
  - f) **Utilice un interruptor diferencial (RCD) si debe utilizar la herramienta eléctrica en un lugar húmedo.** La utilización de un interruptor de protección diferencial reducirá el riesgo de electrocución.
- #### 3) SEGURIDAD PERSONAL
- a) **Manténgase alerta, preste atención a lo que está haciendo y aplique el sentido común durante el uso de una herramienta eléctrica. No use una herramienta eléctrica cuando esté cansado o bajo la influencia de drogas, alcohol o medicación.** Cuando se están usando herramientas eléctricas, cualquier falta de atención, aunque sea por un instante, puede provocar lesiones graves.
  - b) **Utilice equipo de protección personal. Utilice siempre protección ocular.** El equipo de protección, como máscaras antipolvo, calzado de seguridad antideslizante, casco protector o protección auditiva,



cuando se utiliza adecuadamente, reduce las lesiones personales.

- c) **Evite la puesta en marcha accidental de la herramienta. Asegúrese de que el interruptor de encendido se encuentra en la posición de apagado antes de enchufar la herramienta a la red eléctrica y/o de acoplar la batería, así como al agarrar o transportar la herramienta.** Transportar herramientas eléctricas con el dedo en el interruptor o con el interruptor en la posición de encendido aumenta el riesgo de accidente.
- d) **Retire cualquier llave de ajuste o llave inglesa de la herramienta antes de encenderla.** Una llave inglesa o una llave de ajuste enganchada a una parte giratoria de la herramienta puede producir lesiones.
- e) **No se estire demasiado para alcanzar lugares de difícil acceso. Mantenga una posición firme y equilibrada en todo momento.** De este modo podrá controlar mejor la herramienta eléctrica en situaciones inesperadas.
- f) **Utilice ropa adecuada. No lleve ropa holgada ni joyas. Mantenga el pelo, la ropa y los guantes alejados de las piezas móviles.** La ropa holgada, así como las joyas o el pelo largo podrían engancharse en las partes móviles.
- g) **Si se incluyen dispositivos de conexión a extractores y colectores de polvo, asegúrese de conectarlos y utilizarlos adecuadamente.** El uso de un colector de polvo puede reducir los riesgos asociados con el polvo.
- h) **El hecho de haberse familiarizado con la herramienta por el uso frecuente no debe hacer que se descuide e ignore los principios de seguridad.** Una distracción puede provocar lesiones graves en una fracción de segundo.
- 4) **UTILIZACIÓN Y CUIDADO DE LAS HERRAMIENTAS ELÉCTRICAS**
  - a) **No fuerce la herramienta eléctrica. Utilice la herramienta eléctrica adecuada para la tarea que vaya a realizar.** La herramienta correcta funcionará mejor y con más seguridad a la velocidad para la que ha sido diseñada.
  - b) **No use la herramienta si el interruptor no funciona para encenderla y apagarla.** Toda herramienta que no se puede controlar con el interruptor es peligrosa y debe repararse.
  - c) **Desconecte el enchufe de la toma de corriente y/o retire la batería de la herramienta antes de realizar algún ajuste, cambiar de accesorios o guardarla.** Estas medidas de seguridad reducen el riesgo de que la herramienta se ponga en marcha por accidente.
  - d) **Guarde las herramientas eléctricas apagadas fuera del alcance de niños y no deje que las usen personas que no estén familiarizadas con estas instrucciones o con las herramientas.** Las herramientas eléctricas son peligrosas si las usan personas sin experiencia.
  - e) **Cuide las herramientas eléctricas y sus accesorios. Compruebe si hay elementos móviles desalineados o trabados, piezas rotas u otra circunstancia que pueda afectar al funcionamiento de la herramienta. Si la herramienta eléctrica está dañada, llévela a reparar antes de usarla.** Muchos accidentes se deben

a un mantenimiento deficiente de las herramientas eléctricas.

- f) **Mantenga las herramientas de corte afiladas y limpias.** Las herramientas de corte bien afiladas tienen menos probabilidades de atascarse y son más fáciles de controlar.
- g) **Use la herramienta eléctrica, los accesorios, las brocas, etc., siguiendo las instrucciones y teniendo en cuenta las condiciones de trabajo y la tarea a realizar.** El uso de las herramientas eléctricas para fines diferentes a los previstos puede dar lugar a situaciones de peligro.
- h) **Mantenga las asas y las superficies de agarre secas, limpias y libres de aceite y grasa.** Si las asas y las superficies de agarre están resbaladizas no se puede manejar la herramienta de forma segura ni mantener el control en las situaciones inesperadas.
- 5) **UTILIZACIÓN Y MANTENIMIENTO DE HERRAMIENTAS A BATERÍA**
  - a) **Recargue únicamente con el cargador especificado por el fabricante.** Un cargador que es adecuado para un tipo de batería podría ocasionar un incendio si se utiliza con una batería distinta.
  - b) **Utilice herramientas eléctricas solamente con las baterías diseñadas específicamente para ellas.** El uso de cualquier otro tipo de batería puede provocar riesgo de lesiones e incendio.
  - c) **Cuando no se esté utilizando la batería, manténgala apartada de objetos metálicos como clips para papeles, monedas, llaves, clavos, tornillos, o cualquier otro objeto metálico pequeño que pudiera provocar un cortocircuito en sus terminales de corriente.** Si se provoca el cortocircuito en los terminales de la batería, podrían producirse quemaduras o incendios.
  - d) **En condiciones de uso intensivo, es posible que se produzca una fuga de líquido de la batería; evite el contacto. Enjuague con agua si se produce un contacto accidental.** Si el líquido entra en contacto con los ojos, solicite también atención médica. El líquido que emana de la batería puede provocar irritaciones o quemaduras.
  - e) **No utilice una batería o una herramienta que haya sido modificada o que esté dañada.** Las baterías dañadas o modificadas pueden tener un comportamiento impredecible y provocar un incendio, explosión o riesgo de lesiones.
  - f) **No exponga la batería ni la herramienta al fuego ni a una temperatura excesiva.** La exposición al fuego o a una temperatura superior a 130 °C podría provocar una explosión.
  - g) **Siga todas las instrucciones de carga y no cargue la batería ni la herramienta fuera del rango de temperatura especificado en las instrucciones.** Una carga incorrecta o a temperaturas fuera del rango especificado puede dañar la batería y aumentar el riesgo de incendio.
- 6) **SERVICIO TÉCNICO**
  - a) **Las reparaciones de las herramientas eléctricas debe realizarlas un técnico cualificado, utilizando solo piezas de recambio idénticas.** De este modo, podrá garantizarse la seguridad de uso de la herramienta eléctrica.

- b) **No repare nunca baterías que estén dañadas. Las baterías solo debe repararlas el fabricante o un centro de servicio técnico autorizado.**

## INSTRUCCIONES DE SEGURIDAD PARA SIERRAS CIRCULARES SIN ESCOBILLAS

### INSTRUCCIONES DE SEGURIDAD PARA TODAS LAS SIERRAS

- a) **⚠ PELIGRO: Mantenga las manos alejadas de la zona de corte y de la hoja. Mantenga su segunda mano en el mango auxiliar o en la carcasa del motor.** Si ambas manos sostienen la sierra, no pueden ser cortadas por la hoja.
- b) **No meta la mano debajo de la pieza de trabajo.** El dispositivo de protección no puede protegerle de la hoja debajo de la pieza de trabajo.
- c) **Ajuste la profundidad de corte al grosor de la pieza de trabajo.** Debe verse menos de un diente completo de los dientes de la hoja por debajo de la pieza de trabajo.
- d) **No sujete nunca la pieza de trabajo en las manos ni sobre la pierna mientras corta. Sujete la pieza de trabajo a una plataforma estable.** Es importante apoyar el trabajo adecuadamente para minimizar la exposición del cuerpo, el atascamiento de la hoja o la pérdida de control.
- e) **Sujete la herramienta eléctrica por las superficies de agarre aisladas en aquellos trabajos donde el elemento de corte pueda entrar en contacto con cables ocultos.** El contacto con un cable bajo tensión podría hacer que las piezas metálicas expuestas de la herramienta eléctrica transmitan tensión y provoquen una descarga eléctrica al usuario.
- f) **Al copiar, utilice siempre un tope paralelo o una guía de borde recto.** Esto mejora la precisión del corte y reduce la posibilidad de que la hoja se atasque.
- g) **Utilice siempre hojas del tamaño correcto y con la forma adecuada (rombo o redonda) del agujero.** Las hojas que no coincidan con el equipo de montaje de la sierra funcionarán descentradas y provocarán una pérdida de control.
- h) **Nunca use arandelas o pernos de hoja dañados o incorrectos.** Las arandelas y el perno de la hoja han sido diseñados especialmente para su sierra, para lograr un rendimiento óptimo y un funcionamiento seguro.

### INSTRUCCIONES DE SEGURIDAD ADICIONALES PARA TODAS LAS SIERRAS

#### CAUSAS DEL RETROCESO Y OTRAS ADVERTENCIAS RELACIONADAS

- El retroceso es una reacción repentina a una hoja de sierra enganchada, atascada o desalineada, que hace que la sierra incontrolada se levante y salga de la pieza de trabajo hacia el usuario.
- Cuando la hoja se engancha o se atasca con fuerza debido al cierre de la ranura, la hoja se detiene y la reacción del motor impulsa la unidad rápidamente hacia el usuario.
- Si la hoja se tuerce o se desalinea en el corte, los dientes del borde posterior de la hoja pueden clavarse en la superficie superior de la madera y hacer que la

hoja salga de la ranura y salte hacia el usuario. El retroceso se produce debido a un uso o funcionamiento incorrecto de la sierra, o debido a su mal estado. Podrá evitarse adoptando las medidas preventivas que se detallan a continuación:

- a) **Mantenga un agarre firme de la sierra con los dos manos y coloque los brazos de forma que resistan las fuerzas de retroceso. Coloque su cuerpo a ambos lados de la hoja, pero no en línea con la hoja.** El retroceso puede hacer que la sierra salte hacia atrás, pero el usuario puede controlar las fuerzas de retroceso adoptando las precauciones adecuadas.
- b) **Cuando la hoja se atasque, o cuando interrumpa un corte por cualquier motivo, suelte el gatillo y mantenga la sierra inmóvil en el material hasta que la hoja se detenga por completo. Nunca intente sacar la sierra de la pieza de trabajo ni tirar de la sierra hacia atrás mientras la hoja está en movimiento, ya que podría producirse un retroceso.** Investigue y tome medidas correctivas para eliminar la causa del atascamiento de la hoja.
- c) **Cuando vuelva a poner en marcha la sierra en la pieza de trabajo, centre la hoja de la sierra en la ranura para que los dientes de la sierra no se enganchen en el material.** Si una hoja de sierra se atasca, puede subir o retroceder desde la pieza de trabajo cuando se vuelve a encender la sierra.
- d) **Apoye los paneles grandes para minimizar el riesgo de que la hoja se enganche y se produzca un retroceso.** Los paneles grandes tienden a combarse por su propio peso. Los soportes deben colocarse debajo del panel en ambos lados, cerca de la línea de corte y cerca del borde del panel.
- e) **No utilice hojas desafiladas o dañadas.** Las hojas que no estén afiladas o que estén mal ajustadas producen un corte estrecho que provoca un exceso de fricción, atasco de la hoja y retroceso.
- f) **Las palancas de bloqueo de ajuste de bisel y profundidad de la hoja deben estar apretadas y seguras antes de realizar el corte.** Si el ajuste de la hoja se desplaza durante el corte, puede causar atascamiento y retroceso.
- g) **Tenga especial cuidado al cortar en paredes existentes u otras áreas ciegas.** La hoja que sobresale puede cortar objetos que podrían provocar un retroceso.

#### FUNCIONAMIENTO DE LA PROTECCIÓN INFERIOR

- a) **Verifique que la protección inferior cierre correctamente antes de cada uso. No opere la sierra si la protección inferior no se mueve libremente y no se cierra al instante. Nunca sujete ni ate la protección inferior en la posición abierta. Si la sierra se cae accidentalmente, la protección inferior puede doblarse.** Levante la protección inferior con el mango retráctil y asegúrese de que se mueva libremente y no toque la hoja ni ninguna otra parte, en todos los ángulos y profundidades de corte.
- b) **Verifique el funcionamiento del resorte de la protección inferior. Si la protección y el resorte no funcionan correctamente, deben repararse antes del uso.** La protección inferior puede funcionar con lentitud debido a piezas dañadas, depósitos gomosos o acumulación de residuos.
- c) **La protección inferior puede retraerse manualmente**

solo para cortes especiales como «cortes de inmersión» y «cortes compuestos». Levante la protección inferior por el mango retráctil y en cuanto la hoja entre en el material, la protección inferior debe soltarse. Para todos los demás trabajos de serrado, la protección inferior debe funcionar automáticamente.

- d) **Compruebe siempre que la protección inferior cubra la hoja antes de colocar la sierra en un banco o en el suelo.** Una hoja que se desplaza sin protección hará que la sierra se mueva hacia atrás, cortando todo lo que se encuentre en su camino. Tenga en cuenta el tiempo que tarda la hoja en detenerse después de soltar el interruptor.

#### GENERAL

- Esta herramienta no deben utilizarla personas menores de 16 años.
- Esta herramienta no es apta para corte húmedo.
- **No procese materiales que contengan amianto** (el amianto se considera cancerígeno).
- El polvo de materiales como pintura que contenga plomo, algunas especies de madera, minerales y metal podrían ser dañinos (el contacto o inhalación del polvo podría producir reacciones alérgicas y trastornos respiratorios al usuario o a otras personas que se encontrasen en la zona); **utilice una máscara contra el polvo y trabaje con un dispositivo de extracción de polvo cuando se pueda conectar.**
- Ciertos tipos de polvo están catalogados como cancerígenos (por ejemplo, el polvo de roble y de haya) especialmente junto con aditivos para el acondicionamiento de la madera; **utilice una máscara contra el polvo y trabaje con un dispositivo de extracción de polvo cuando se pueda conectar.**
- Siga la normativa nacional en cuanto a extracción de polvo, en función de los materiales que vayan a ser utilizados.
- No utilice esta sierra en combinación con una mesa de sierra.
- Quite la batería de la herramienta antes de realizar cualquier ajuste o cambiar los accesorios.

#### ACCESORIOS

- SKIL únicamente puede garantizar un funcionamiento correcto de la herramienta si se emplean accesorios originales.
- Utilice únicamente accesorios cuyo límite de revoluciones permitido sea como mínimo igual a las revoluciones en vacío máximas de la herramienta.
- Únicamente use hojas de sierra con las características indicadas en estas instrucciones de manejo que hayan sido ensayadas y vayan marcadas conforme a EN 847-1.
- Utilice únicamente hojas de sierra con un diámetro de 165 mm y un orificio para eje de 16 mm.
- Nunca utilice discos de corte/amolado con esta herramienta.

#### ANTES DE USAR LA HERRAMIENTA

- Evite los daños que puedan causar los tornillos, clavos y otros objetos sobre la pieza de trabajo; retírelos antes de empezar a trabajar.
- Quite todos los obstáculos que estén encima y debajo de la ruta de corte antes de comenzar a cortar.
- **Asegure la pieza de trabajo** (una pieza de trabajo fijada con unos dispositivos de sujeción o en un tornillo de banco, se mantiene sujeta de forma mucho más segura que con la mano).

- **Utilice aparatos de detección adecuados para localizar posibles conductores o tuberías ocultas, o consulte a su compañía abastecedora** (el contacto con conductores eléctricos puede provocar una descarga eléctrica e incluso un incendio; al dañar una tubería de gas puede producirse una explosión; la perforación de una tubería de agua puede causar daños materiales o una descarga eléctrica).

#### DURANTE EL USO

- El nivel de ruido durante el trabajo puede superar los 85 dB(A); use protección para los oídos.
- Nunca utilice la herramienta sin el sistema de protección original.
- No intente cortar piezas de trabajo extremadamente pequeñas.
- No trabaje por encima de la cabeza con la herramienta.
- En caso de que se produzca un atasco o una avería eléctrica o mecánica, apague inmediatamente la herramienta y quite la batería.

#### DESPUÉS DEL USO

- Cuando guarde la herramienta, apague el motor y asegúrese de que todas las piezas móviles estén completamente paradas.
- Después de apagar la sierra circular, nunca detenga la rotación de la hoja mediante una fuerza lateral aplicada contra ella.

#### BATERÍAS

- **Si se entrega una batería, está parcialmente cargada** (para poder aprovechar toda la capacidad de la batería, cárguela por completo en el cargador antes de utilizar la herramienta eléctrica por primera vez).
- **Utilice únicamente los siguientes cargadores y baterías con esta herramienta:**
  - Batería SKIL: BR1\*31\*\*\*\*
  - Cargador SKIL: CR1\*31\*\*\*\*
- Nunca utilice la batería si está dañada; debe sustituirse inmediatamente
- No desarme la batería.
- No exponga la herramienta/batería a la lluvia.
- Temperatura ambiente permitida (herramienta/cargador/batería):
  - durante la carga 4...40 °C
  - durante el funcionamiento -20...+50 °C
  - durante el almacenamiento -20...+50 °C

#### EXPLICACIÓN DE LOS SÍMBOLOS EN LA HERRAMIENTA

- ③ Lea el manual de instrucciones antes de utilizarla
- ④ Las baterías pueden explotar si se tiran al fuego; por tanto, que no las queme por ningún motivo
- ⑤ Guarde la herramienta/cargador/batería en un lugar donde la temperatura no exceda los 50 °C
- ⑥ No deseché las herramientas eléctricas y las pilas junto con los residuos domésticos

#### MODO DE EMPLEO

- Recarga de la batería
- **! Lea las instrucciones y la advertencias de seguridad incluidas con el cargador**
- Desmontaje/instalación de la batería ②
- Indicador del nivel de carga de la batería ⑦
  - Pulse el botón indicador del nivel de carga de la batería AB para ver el nivel actual de carga ⑦a
- **! Cuando empiece a parpadear el nivel inferior del indicador de la batería después de pulsar el botón**

**AB** ⑦b, significa que la batería está descargada.

! Cuando empiecen a parpadear 2 niveles del indicador de la batería después de pulsar el botón **AB** ⑦c, significa que la batería no está dentro del rango de temperatura de funcionamiento permitido.

- Luz LED de línea de sombra ⑧

Su herramienta está equipada con una luz LED de línea de sombra ubicada debajo de la protección superior. Proporciona iluminación adicional en la hoja de sierra y la superficie de la pieza de trabajo.

La luz LED proyecta una sombra de la hoja de sierra para guiar la herramienta a lo largo de la línea de corte deseada marcada en la pieza de trabajo.

! **pruebe siempre con un trozo de material de descarte**

La luz LED se encenderá automáticamente al apretar ligeramente el gatillo interruptor. Se apagará aproximadamente 10 segundos después de soltar el gatillo interruptor.

! **La luz LED parpadeará rápidamente si se sobrecarga o se calienta demasiado la herramienta y/o la batería, y los sensores internos apagarán la herramienta. Deje reposar la herramienta un rato o coloque la herramienta y la batería por separado en una corriente de aire para que se enfríen.**

! **La luz LED parpadeará más despacio, indicando que la el nivel de carga de la batería es bajo. Recargue la batería.**

El dial de limpieza LED X integrado en la protección superior está diseñado para limpiar la luz LED. Cuando la luz LED se atenúe debido al serrín acumulado en ella, gire el dial de limpieza LED X en cualquier dirección para eliminar el serrín y hacer que la luz LED vuelva a brillar.

- Protección de la batería

La herramienta se apaga repentinamente o se impide que se encienda, cuando

- la carga es demasiado alta --> retire la carga y vuelva a ponerla en marcha
- la temperatura de la batería no se encuentra dentro del rango admisible de temperaturas de funcionamiento entre -20 °C y +50 °C --> los 2 niveles del indicador de la batería empiezan a parpadear cuando se pulsa el botón **AB** ⑦c; espere hasta que la batería vuelva a estar dentro del rango admisible de temperaturas de funcionamiento
- la batería está casi descargada (como protección contra una descarga intensa) --> el indicador del nivel de la batería señala un nivel bajo de carga o un nivel bajo de carga intermitente ⑦b cuando se pulsa el botón **AB**; cargue la batería

! **No siga pulsando el interruptor de encendido/apagado después de que se apague automáticamente la herramienta; se puede dañar la batería**

- Montaje de la hoja de sierra **AA** ②

! **Quite la batería de la herramienta**

- Tome la llave hexagonal A del alojamiento B.
- Presione el botón de bloqueo del eje C y sujételo mientras extrae el tornillo D girando la llave hexagonal **EN SENTIDO HORARIO** (= en la misma dirección que la de la flecha impresa en la hoja de la sierra).

! **Apriete el botón de bloqueo del eje C solamente**

**cuando la herramienta se haya detenido completamente.**

- Suelte el botón de bloqueo del eje C.
- Quite la brida E.

! **Asegúrese de que las superficies de enganche H de las bridas estén perfectamente limpias y estén encaradas a la hoja.**

- Abra la protección inferior F con la palanca G y sujétela mientras monta la hoja de sierra con los dientes de la sierra y la flecha impresa en la hoja apuntando en la misma dirección que la flecha mostrada en la protección inferior.

- Suelte la protección inferior F.

- Monte la brida E.

- Pulse el botón de bloqueo del eje C y manténgalo pulsado mientras aprieta el tornillo D con la llave hexagonal A dando 1/8 de giro después de que esté apretado al máximo con los dedos (asegura que la hoja de sierra resbale si encuentra excesiva resistencia, y evita que el motor se sobrecargue y la sierra retroceda)
- Suelte el botón de bloqueo del eje C.

- Ajuste de la profundidad de corte (0-57 mm) ⑨

- Afloje la perilla K

- Levante/baje la placa de base J hasta que la profundidad de corte deseada esté ajustada en la escala, usando para ello el indicador de la profundidad de corte L

- Apriete la perilla K

- Para un corte de calidad óptima, la hoja de sierra no debe sobresalir más de un diente por debajo de la pieza de trabajo

- Ajuste del ángulo de corte (0-45°) ⑩

- Afloje la perilla M

- Incline la herramienta hasta que el ángulo de corte deseado esté ajustado en la escala, usando para ello el indicador del ángulo de corte N

- Apriete la perilla M

! **para cortes biselados, la profundidad de corte se corresponde con el valor en la escala de profundidad de corte**

- Indicador de línea de corte P ⑪

- Para guiar la herramienta a lo largo de la línea de corte deseada marcada en la pieza de trabajo.

- Para un corte recto de 0° o un corte biselado de 45° utilice la línea indicadora correspondiente

! **la parte ancha de la base debe de reposar en el soporte de la pieza de trabajo**

! **la anchura de corte viene determinada por el ancho de los dientes de la hoja y no por el ancho del cuerpo de la sierra**

! **realice siempre cortes de prueba para verificar la línea actual de corte**

- Aspiración de polvo ⑫

- Conecte el adaptador de aspiradora R al puerto del extractor de polvo Q con el tornillo de cabeza Phillips

Para usar aspiradora

- Conecte la manguera de la aspiradora al adaptador de aspiradora R.

! **Nunca permita que la manguera del aspirador interfiera con la protección inferior F o con la operación de corte.**

Depósito de polvo

- Soporte del depósito de polvo AC \*NO INCLUIDO DE

## SERIE

- Utilización de la herramienta
  - Monte la batería.
  - Sujete siempre firmemente el mango trasero S con una mano y el mango delantero T firmemente con la otra mano.
  - Coloque la herramienta con el extremo frontal del pie de forma plana sobre la pieza de trabajo.
- ! **asegúrese de que los dientes de la hoja no estén encalados en la pieza de trabajo**
- Encienda la herramienta pulsando primero el interruptor de seguridad W y después el gatillo V.
- ! **la herramienta debe funcionar a la velocidad máxima antes de que la hoja penetre en la pieza de trabajo**
- La protección inferior F se abre automáticamente cuando la hoja de sierra penetra en la pieza de trabajo (abrir la protección inferior manualmente con la palanca G solo para cortes especiales como cortes de inmersión)
- ! **no fuerce la herramienta (aplique una presión ligera y continua para evitar que se recalienten las puntas de las hojas)**
- Después de haber realizado el corte, pare la herramienta soltando el gatillo interruptor V.
- ! **Asegúrese de que la hoja esté completamente parada antes de levantar la herramienta de la pieza de trabajo**

## CONSEJOS DE APLICACIÓN

- Coloque siempre el lado bueno de la pieza de trabajo mirando hacia abajo para asegurar el mínimo astillado.
- Utilice únicamente hojas de sierra afiladas del tipo correcto 13
  - La calidad del corte mejora con el número de dientes.
  - Las hojas de sierra con dientes de carburo se mantienen afiladas hasta 30 veces más que las hojas normales.
- Cortes transversales/cortes al hilo 14  
Los cortes transversales o al hilo son fáciles de hacer con una guía paralela Y.
  - Alinee la guía con el indicador de línea de corte 0° P de la base.
  - Introduzca una guía paralela Y a través de las ranuras de cada lado de la base hasta alcanzar la anchura deseada y fijela con la perilla Z.
- ! **Asegúrese de que la guía paralela no interfiera con el libre movimiento de la protección inferior y la hoja de sierra**
- Corte de inmersión 15
  - Establezca la profundidad de corte deseada.
  - Incline la herramienta hacia adelante con el indicador de la línea de corte P alineado con la línea de corte deseada y marcada en la pieza de trabajo
  - Abra la protección inferior F con la palanca G.
  - Justo antes de que la hoja entre en la pieza de trabajo, encienda la herramienta y baje gradualmente el extremo posterior de la herramienta usando el extremo delantero del pie como punto de articulación.
  - Mueva gradualmente la herramienta hacia abajo y hacia adelante.
  - En cuanto la hoja entre en el material, suelte la palanca G.

## ! nunca empuje la herramienta hacia atrás

- Cortar tableros grandes 16
  - Apoye el panel cerca del corte ya sea en el suelo, mesa o banco de trabajo.
- ! **fijar la profundidad de corte de tal manera, que usted pueda cortar a través del tablero y no a través del soporte**
- En caso de que la guía paralela no permita la anchura de corte deseada, empalme o clave una pieza de madera recta a la pieza de trabajo como guía, y use la parte derecha de la base contra esta guía 17.
- Corte con carril guía 19  
\*NO INCLUIDO DE SERIE  
El uso de un carril guía permite hacer cortes precisos, rectos y exactos, ya sea en cortes con bisel de 45° o de 90°.  
Antes de realizar el primer corte con el carril guía, el labio de goma debe adaptarse a la sierra circular utilizada.
  - Para un corte recto de 90°, alinee el lado del bisel de 90° del carril AD (o el lado del bisel de 45° cuando haga un corte en bisel de 45°) con la línea de corte deseada marcada en la pieza.
  - Fije el carril guía AD en la pieza con las abrazaderas de carril guía AE 18 \*NO INCLUIDAS DE SERIE
  - Deslice la sierra sobre el carril guía AD, asegúrese de que la sierra pueda deslizarse libremente sobre el carril sin balancearse hacia los lados.
  - Cuando ajuste la profundidad de corte, recuerde tener en cuenta el grosor del carril guía AD.
  - Guíe la sierra uniformemente con un avance lento a través del extremo del carril guía AD.
- Si desea más información, visite [www.skil.com](http://www.skil.com)

## MANTENIMIENTO / SERVICIO

- Esta máquina no está prevista para uso profesional.
- Mantenga la herramienta siempre limpia.
- ! **Quite la batería de la herramienta antes de la limpieza**
- Mantenga siempre limpia la zona alrededor de la protección inferior F 2 (elimine el polvo y las virutas soplando con aire comprimido o con un cepillo).
- Limpie la hoja de sierra inmediatamente después del uso (sobre todo de resina y pegamento).
- Si la herramienta falla a pesar del cuidado puesto en los procedimientos de fabricación y comprobación, la reparación debe ser llevada a cabo por un centro de servicio postventa de herramientas eléctricas SKIL.
  - Envíe la herramienta sin desmontar junto con una prueba de su compra a su distribuidor o al centro de servicio técnico más cercano de SKIL (las direcciones y el diagrama de despiece de la herramienta están en [www.skil.com](http://www.skil.com)).
- Tenga en cuenta que los daños debido a sobrecarga o a un manejo inadecuado del producto estarán excluidos de la garantía (consulte las condiciones de garantía de SKIL en [www.skil.com](http://www.skil.com) o consulte a su distribuidor).

## MEDIO AMBIENTE

Solo para países de la UE

- **No deseches las herramientas eléctricas, los accesorios y embalajes junto con los residuos domésticos**
  - De conformidad con la Directiva Europea 2012/19/CE

sobre residuos de aparatos eléctricos y electrónicos y su aplicación de acuerdo con la legislación nacional, las herramientas eléctricas cuya vida útil haya llegado a su fin se deberán recoger por separado y trasladar a una planta de reciclaje que cumpla con las exigencias ecológicas

- El símbolo ⑥ llamará su atención cuando sea necesaria la eliminación

**! Antes de eliminarla, proteja los terminales de la batería con cinta aislante para evitar un cortocircuito**

## RUIDOS / VIBRACIONES

- Realizando mediciones según EN62841, el nivel de presión acústica de esta herramienta es 94 dB(A) y el nivel de potencia acústica es de 102 dB(A) (incertidumbre K = 3 dB), y la vibración es <2,5 m/s<sup>2</sup> (suma vectorial triaxial; incertidumbre K = 1,5 m/s<sup>2</sup>).
- El nivel de emisión de vibraciones ha sido medido según una prueba estándar proporcionada en la norma EN 62841; puede utilizarse para comparar una herramienta con otra y como valoración preliminar de la exposición a las vibraciones al utilizar la herramienta con las aplicaciones mencionadas
  - Al utilizarla para distintas aplicaciones o con accesorios diferentes o con un mantenimiento deficiente, podría **aumentar** de forma considerable el nivel de exposición.
  - En las ocasiones en que se apaga la herramienta o cuando está funcionando pero no está realizando ningún trabajo, se podría **reducir** considerablemente el nivel de exposición.

**! Protéjase contra los efectos de la vibración realizando el mantenimiento de la herramienta y sus accesorios, manteniendo sus manos calientes y organizando sus patrones de trabajo**

P

## Serra circular sem escovas

3551

### INTRODUÇÃO

- Esta ferramenta foi criada para cortar madeira com corte retos e cruzados, bem como corte angulares até 45°.
- Esta ferramenta não foi criada para utilização profissional.
- Leia e guarde este manual de instruções ③.

### DADOS TÉCNICOS ①

### ELEMENTOS DA MÁQUINA ②

- A Chave sextavada
- B Espaço de arrumação da chave sextavada
- C Botão de bloqueio do eixo
- D Parafuso
- E Rebordo
- F Proteção inferior
- G Alavanca para abrir a proteção inferior
- H Superfície de fixação
- J Placa do pé

- K Manipulo para definir a profundidade de corte
  - L Indicador da profundidade de corte
  - M Manipulo para ajustar o ângulo de corte
  - N Indicador do ângulo de corte
  - P Indicador da linha de corte
  - Q Porta de extração do pó
  - R Adaptador do aspirador
  - S Pega traseira
  - T Pega dianteira
  - U Ranhura da calha guia
  - V Gatilho do interruptor
  - W Interruptor de segurança
  - X Disco de limpeza do LED
  - Y Guia paralela
  - Z Manipulo para ajustar a guia paralela
  - AA Lâmina da serra
  - AB Alindador do nível da bateria
  - AC ASaco do pó\*
  - AD ACalha guia\*
  - AE ABraçadeira da calha guia\*
- \* NÃO INCLUIDO

## SEGURANÇA

### AVISOS GERAIS DE SEGURANÇA DA MÁQUINA

**! AVISO Leia todos os avisos de segurança, instruções, ilustrações e especificações fornecidas com esta ferramenta elétrica.** Não seguir todas as instruções apresentadas abaixo pode resultar em choque elétrico, incêndio e/ou ferimentos graves.

**Guarde todos os avisos e instruções para futuras referências.**

O termo “ferramenta elétrica” nos avisos diz respeito à sua ferramenta alimentada pela rede (com fio) ou com bateria (sem fio).

### 1) SEGURANÇA NA ÁREA DE TRABALHO

- Mantenha a área de trabalho limpa e bem iluminada.** Áreas desarrumadas ou escuras são propícias a acidentes.
- Não ligue ferramentas elétricas em atmosferas explosivas, tal como na presença de líquidos inflamáveis, gases ou pó.** As ferramentas elétricas produzem faíscas que podem inflamar o pó ou fumos.
- Mantenha as crianças e pessoas que passem afastadas enquanto trabalhar com uma ferramenta elétrica.** As distrações podem fazer com que perca o controle.

### 2) SEGURANÇA ELÉTRICA

- As fichas da ferramenta elétrica têm de corresponder à tomada. Nunca modifique uma ficha de forma alguma.** Não utilize qualquer adaptador com ferramentas elétricas com ligação à terra. Fichas não modificadas e tomadas correspondentes reduzirão o risco de choque elétrico.
- Evite o contacto do corpo com superfícies ligadas à terra, tais como tubos, radiadores, bases e frigoríficos.** Existe um risco acrescido de choque elétrico se o seu corpo estiver ligado à terra.
- Não exponha as ferramentas elétricas à chuva ou a**

**condições húmidas.** A entrada da água na ferramenta elétrica aumentará o risco de choque elétrico.

- d) **Não force o fio da alimentação. Nunca utilize o fio para transportar, puxar ou desligar a ferramenta elétrica.** Mantenha o fio afastado do calor, óleo, arestas afiadas ou peças móveis. Fios danificados ou presos aumentam o risco de choque elétrico.
- e) **Quando estiver a trabalhar com uma ferramenta elétrica ao ar livre, utilize uma extensão adequada para a utilização no exterior.** A utilização de um fio adequado ao exterior reduz o risco de choque elétrico.
- f) **Se for inevitável trabalhar com uma ferramenta elétrica num local húmido, use uma alimentação protegida por um dispositivo de corrente residual (DCR).** A utilização de um DCR reduz o risco de choque elétrico.

### 3) SEGURANÇA PESSOAL

- a) **Mantenha-se alerta, observe o que está a fazer e use o senso comum quando estiver a trabalhar com uma ferramenta elétrica. Não use uma ferramenta elétrica enquanto estiver cansado ou sob o efeito de drogas, álcool ou medicação.** Um momento de falta de atenção enquanto trabalha com ferramentas elétricas pode resultar em ferimentos graves.
- b) **Use equipamento pessoal de proteção. Use sempre proteção ocular.** O equipamento de segurança, tal como máscara respiratória, calçado de segurança antiderrapante, capacete de segurança ou proteção auditiva, utilizado nas condições adequadas reduzirá a hipótese de ferimentos.
- c) **Evite ligações sem intenção. Certifique-se de que o interruptor se encontra na posição de desligado antes de ligar a fonte de energia e/ou à bateria ao agarrar ou transportar a ferramenta.** Transportar ferramentas elétricas com o seu dedo no interruptor ou fornecer energia a ferramentas elétricas que tenham o interruptor na posição de ligado convida a acidentes!
- d) **Retire qualquer chave de ajuste ou chave de porcas antes de ligar a ferramenta elétrica.** Uma chave de porcas ou uma chave deixada ligada a uma peça rotativa da ferramenta elétrica pode provocar ferimentos.
- e) **Não se estique. Mantenha sempre a base e o equilíbrio adequados.** Isso proporciona um melhor controlo da ferramenta elétrica em situações inesperadas.
- f) **Vista-se adequadamente. Não use roupa larga nem joias. Mantenha o seu cabelo e roupa afastados das peças móveis.** Roupas largas, joias ou cabelo comprido podem ser apanhados pelas peças em movimento.
- g) **Se forem fornecidos dispositivos para a ligação de extração de pó e facilidades de recolha, certifique-se de que estes estão ligados e de que são devidamente utilizados.** A utilização de dispositivos de extração do pó pode reduzir os perigos relacionados com o pó.
- h) **Não permita que a familiarização ganhe com a utilização de ferramentas o torne mais complacente e ignore os princípios de segurança da ferramenta.** Uma ação descuidada pode causar graves ferimentos numa fração de segundo.

### 4) UTILIZAÇÃO E CUIDADOS DA FERRAMENTA ELÉTRICA

- a) **Não force a ferramenta elétrica. Utilize a ferramenta**

**elétrica correta para a sua aplicação.** A ferramenta elétrica correta fará o trabalho melhor e de forma mais segura ao ritmo para o qual foi concebida.

- b) **Não utilize a ferramenta elétrica se o interruptor não a ligar ou desligar.** Qualquer ferramenta que não possa ser controlada com o interruptor é perigosa e deve ser reparada.
  - c) **Desligue a ficha da alimentação e/ou retire a bateria da ferramenta elétrica, se amovível, antes de fazer quaisquer ajustes, mudar de acessórios ou armazenar a ferramenta elétrica.** Tais medidas preventivas de segurança reduzem o risco de ligar a ferramenta elétrica acidentalmente.
  - d) **Guarde ferramentas elétricas sem carga fora do alcance de crianças e não permita que pessoas estranhas às ferramentas elétricas ou a estas instruções trabalhem com a ferramenta elétrica.** As ferramentas elétricas são perigosas nas mãos de utilizadores sem formação.
  - e) **Proceda à manutenção das ferramentas elétricas e acessórios. Verifique desalinhamentos ou bloqueios das peças móveis, fracionamento de peças e quaisquer outras condições que possam afetar o funcionamento das ferramentas elétricas.** Caso a ferramenta apresente danos, esta deverá ser entregue para reparação antes de voltar a ser utilizada. Muitos acidentes são provocados pela fraca manutenção das ferramentas elétricas.
  - f) **Mantenha as ferramentas de corte afiadas e limpas.** Ferramentas de corte devidamente mantidas e com arestas de corte afiadas têm uma menor probabilidade de prender e são mais fáceis de controlar.
  - g) **Use a ferramenta elétrica, acessórios e brocas, etc., de acordo com estas instruções, tendo em conta as condições de trabalho e o trabalho a ser efetuado.** A utilização da ferramenta elétrica para operações diferentes daquelas para que foi criada pode dar origem a uma situação perigosa.
  - h) **Mantenha as pegas e superfícies de prensão secas, limpas e sem óleo ou gordura.** Pegas e superfícies de prensão escorregadias não permitem o manuseamento seguro nem o controlo da ferramenta em situações inesperadas.
- ### 5) UTILIZAÇÃO E CUIDADOS DA FERRAMENTA COM A BATERIA
- a) **Recarregue apenas com o carregador especificado pelo fabricante.** Um carregador que seja adequado a um tipo de bateria pode criar um risco de incêndio quando usado com outra bateria.
  - b) **Use ferramentas elétricas apenas com as baterias especificamente designadas.** A utilização de outras baterias pode criar um risco de ferimentos e incêndio.
  - c) **Quando não usar a bateria, mantenha-a afastada de outros objetos de metal, como cliques de papel, moedas, chaves, pregos, parafusos ou outros pequenos objetos de metal que possam fazer a ligação entre os dois terminais.** Colocar os terminais da bateria em curto-circuito pode dar origem a queimaduras ou fogo.
  - d) **Sob condições abusivas, pode ser ejetado líquido da bateria; evite o contacto. Se ocorrer um contacto accidental, lave com água abundante.** Se o líquido entrar em contacto com os olhos, procure ajuda médica.

O líquido ejetado da bateria pode provocar irritação ou queimaduras.

- e) **Não use a bateria nem a ferramenta se estiverem danificadas ou modificadas.** Baterias danificadas ou modificadas podem apresentar comportamentos imprevisíveis, dando origem a fogo, explosão ou risco de ferimentos.
- f) **Não exponha a bateria ou a ferramenta ao fogo ou temperatura excessiva.** A exposição ao fogo ou a temperaturas acima dos 130 °C pode causar uma explosão.
- g) **Siga todas as instruções de carregamento e não carregue a bateria nem a ferramenta a uma temperatura fora dos parâmetros especificados nas instruções.** Carregar incorretamente ou a temperaturas fora dos parâmetros especificados pode danificar a bateria e aumentar o risco de fogo.

#### 6) REPARAÇÃO

- a) **A reparação da sua ferramenta elétrica deverá ser sempre efetuada por pessoas qualificadas, utilizando apenas peças sobresselentes idênticas.** Isso garante que a segurança da ferramenta elétrica é mantida.
- b) **Nunca tente reparar uma bateria danificada. A reparação das baterias só deverá ser efetuada pelo fabricante ou por um reparador autorizado.**

#### INSTRUÇÕES DE SEGURANÇA PARA SERRAS CIRCULARES SEM ESCOVAS

#### INSTRUÇÕES DE SEGURANÇA PARA TODAS AS SERRAS

- a) **⚠ PERIGO: Mantenha as mãos afastadas da área de corte e da lâmina. Mantenha a sua segunda mão na pega auxiliar ou estrutura do motor.** Se ambas as mãos estiverem a segurar a serra, não serão cortadas pela lâmina.
- b) **Não se estique por baixo da peça a ser trabalhada.** A proteção não o protege da lâmina por baixo da peça a ser trabalhada.
- c) **Ajuste a profundidade de corte para a grossura da peça a ser trabalhada.** Só deverá ser visível menos de um dente completo da lâmina por baixo da peça a ser trabalhada.
- d) **Nunca segure a peça a ser trabalhada com as mãos ou entre as pernas durante o corte. Fixe a peça a ser trabalhada numa plataforma estável.** É importante suportar a peça corretamente, para minimizar a exposição do corpo, lâmina presa ou perda de controlo.
- e) **Segure a ferramenta apenas através das superfícies isoladas quando executar uma operação onde a ferramenta de corte possa entrar em contacto com cabos elétricos escondidos.** O contacto com um cabo “vivo” fará com que as peças de metal expostas da ferramenta de corte deem um choque ao operador.
- f) **Quando rasgar, use sempre uma vedação ou uma guia direita para extremidades.** Isto melhora a precisão de corte e reduz a hipótese da lâmina se prender.
- g) **Use sempre lâminas com o tamanho e a forma corretos (em diamante ou redonda) dos orifícios.** As lâminas que não sirvam no material de montagem da

lâmina funcionam descentradas, causando a perda de controlo.

- h) **Nunca use anilhas ou parafusos da lâmina danificados ou incorretos.** As anilhas e parafusos da lâmina foram criados especialmente para a sua serra, para um desempenho ótimo e um funcionamento seguro.

#### OUTRAS INSTRUÇÕES DE SEGURANÇA PARA TODAS AS SERRAS

#### AVISOS RELACIONADOS COM RESSALTOS

- O ressalto é uma reação súbita de uma lâmina presa ou desalinhada, fazendo com que uma serra descontrolada levante e saia da peça a ser trabalhada em direção ao operador.
- Quando a lâmina fica presa no entalhe, pára e a reação do motor faz com que a unidade se dirija rapidamente em direção ao operador.
- Se a lâmina ficar torcida ou desalinhada no corte, os dentes na extremidade traseira da lâmina podem entrar na superfície superior da madeira, fazendo com que a lâmina saia do entalhe e salte em direção ao operador.

O ressalto é o resultado de uma utilização ou condições inadequadas ou incorretas da serra e pode ser evitado tomando as devidas precauções apresentadas abaixo.

- a) **Segure bem a serra com ambas as mãos e coloque os braços de modo a resistir às forças de um ressalto. Coloque o corpo para um dos lados da lâmina, mas não em linha com a lâmina.** O ressalto pode fazer com que a serra salte para trás, mas os ressaltos podem ser controlados pelo operador, se forem tomadas as devidas medidas de precaução.
- b) **Quando a lâmina fica presa, ou quando interromper um corte por qualquer razão, liberte o gatilho e segure a serra sem movimento no material, até que a lâmina pare por completo. Nunca tente retirar a serra da peça ou puxar a serra para trás enquanto a lâmina ainda estiver em movimento, caso contrário, pode ocorrer um ressalto.** Verifique e tome ações corretivas para eliminar a causa da lâmina presa.
- c) **Quando voltar a ligar uma serra na peça a ser trabalhada, centre a lâmina da serra no entalhe, de modo a que os dentes da serra não fiquem presos no material.** Se a lâmina da serra prender, pode subir ou ressaltar da peça a ser trabalhada quando voltar a ligar a serra.
- d) **Suporte painéis grandes para minimizar o risco de prisão da lâmina e de ressaltos.** Os painéis grandes tendem a afundar no seu próprio peso. Os suportes têm de ser colocados por baixo do painel em ambos os lados, perto da linha de corte e perto da extremidade do painel.
- e) **Não use lâminas gastas ou danificadas.** Lâminas gastas ou mal colocadas produzem um entalhe curto, causando fricção excessiva, prisão da lâmina e ressaltos.
- f) **As alavancas de fixação e ajuste da esquadria e profundidade da lâmina têm de ser apertadas e fixadas antes de efetuar o corte.** Se o ajuste da lâmina se mover durante o corte, pode causar a prisão e ressaltos da lâmina.
- g) **Tenha muito cuidado quando serrar em paredes existentes ou noutras áreas ocultas.** A lâmina saliente pode cortar objetos que podem causar um ressalto.



## FUNÇÃO DA PROTEÇÃO INFERIOR

- a) **Verifique a proteção inferior quanto a um fecho adequado antes de cada utilização. Não utilize a serra se a proteção inferior não se mover livremente e não se fechar instantaneamente. Nunca fixe nem ate a proteção inferior na posição aberta.** Se deixar cair acidentalmente a serra, a proteção inferior pode ficar dobrada. Levante a proteção inferior com a pega retrátil e certifique-se de que se move livremente e não toca na lâmina ou em qualquer outra parte, em todos os ângulos e profundidades de corte.
- b) **Verifique o funcionamento da mola da proteção inferior. Se a proteção e a mola não funcionarem corretamente, têm de ser reparadas antes da utilização.** A proteção inferior pode funcionar lentamente devido às peças danificadas, depósitos colantes ou a acumulação de lixo.
- c) **A proteção inferior pode ser retraída manualmente apenas para cortes especiais, como “cortes de imersão” ou “cortes compostos”.** Levante a proteção inferior retraindo a pega e, mal a lâmina entre no material, tem de libertar a proteção inferior. Para qualquer outro tipo de serragem, a proteção inferior deverá funcionar automaticamente.
- d) **Verifique sempre se a proteção inferior está a cobrir a lâmina antes de colocar a serra em baixo no banco ou no chão.** Uma lâmina desprotegida e descida pode fazer com que a serra retroceda, cortando o que quer que se meta no caminho. Tenha cuidado com o tempo que a lâmina leva a parar após deixar de premir o interruptor.

## GERAL

- Esta ferramenta não deverá ser utilizada por pessoas com menos de 16 anos.
- Esta ferramenta não é adequada para cortes molhados.
- **Não trabalhe em materiais que contenham amianto** (o amianto é considerado cancerígeno).
- As poeiras de materiais como tintas com chumbo, determinadas espécies de madeiras, minerais e metais podem ser prejudiciais (o contacto ou a inalação dessa poeira pode causar reações alérgicas e/ou doenças respiratórias no operador ou assistentes); **utilize uma máscara antipoeira e trabalhe com um dispositivo de extração de poeiras quando for possível ligar.**
- Determinados tipos de poeiras estão classificados como cancerígenos (como poeira de faia e carvalho) especialmente junto com aditivos para tratamento de madeiras; **utilize uma máscara antipoeira e trabalhe com um dispositivo de extração de poeiras quando for possível ligar.**
- Siga as normas nacionais referentes a poeiras para os materiais com que pretende trabalhar.
- Não use esta serra juntamente com uma mesa da serra.
- Retire sempre a bateria da ferramenta antes de efetuar quaisquer ajustes ou mudar de acessórios.

## ACESSÓRIOS

- A SKIL apenas pode assegurar um funcionamento sem defeitos da ferramenta quando utilizados acessórios originais.
- Utilize apenas acessórios com uma velocidade admissível que corresponda, pelo menos, à velocidade mais elevada sem carga da ferramenta.
- Use apenas lâminas da serra que correspondam aos dados técnicos apresentados nestas instruções

de funcionamento, e que tenham sido testadas e assinaladas em conformidade com a EN 847-1.

- Use apenas lâminas da serra com um diâmetro de 165 mm e um orifício do eixo de 16 mm.
- Nunca use discos de corte/rebarbar com esta ferramenta.

## ANTES DA UTILIZAÇÃO

- Evite danos que possam ser causados por parafusos, pregos e outros elementos na sua peça a ser trabalhada. Retire-os antes de começar o trabalho.
- Retire os obstáculos por cima e por baixo do caminho de corte antes de começar a cortar.
- **Fixe a peça a ser trabalhada** (uma peça a ser trabalhada fixada num torno ou dispositivo de fixação está mais segura do que sendo segurada à mão).
- **Use detetores adequados para encontrar estas linhas na área de trabalho, ou contacte a empresa local da respetiva utilidade para obter ajuda.** O contacto com linhas elétricas pode dar origem a fogo ou choque elétrico; danificar uma tubagem do gás pode dar origem a explosão; penetrar um tubo da água pode causar danos patrimoniais ou choque elétrico.

## DURANTE A UTILIZAÇÃO

- O nível de ruído durante o trabalho pode exceder 85 dB(A). Use proteção auditiva.
- Nunca use a ferramenta sem o sistema de proteção de segurança original.
- Não tente cortar peças extremamente pequenas.
- Não trabalhe uma peça por cima de si.
- No caso de obstrução ou avaria mecânica ou elétrica, desligue imediatamente a ferramenta e retire a bateria.

## DEPOIS DE UTILIZAR

- Quando pousar a ferramenta, desligue o motor e certifique-se de que todas as peças móveis estão completamente paradas.
- Depois de desligar a sua serra circular, nunca aplique força para impedir a rotação da lâmina da serra.

## BATERIAS

- **A bateria fornecida, se existente, vem parcialmente carregada.** Para garantir a capacidade completa da bateria, carregue por completo a bateria no carregador antes de usar a sua ferramenta elétrica pela primeira vez.
- **Use apenas as seguintes baterias e carregadores com esta ferramenta**
  - Bateria SKIL: BR1\*31\*\*\*\*
  - Carregador SKIL: CR1\*31\*\*\*\*
- Não use a bateria danificada. Esta deverá ser substituída imediatamente.
- Não desmonte a bateria.
- Não exponha a ferramenta/bateria à chuva.
- Temperatura ambiente permitida (ferramenta/carregador/bateria):
  - A carregar: 4 - 40 °C
  - Durante o funcionamento: -20 - 50 °C
  - Durante o armazenamento: -20 - 50 °C

## EXPLICAÇÃO DOS SÍMBOLOS NA FERRAMENTA

- ③ Leia o manual de instruções antes da utilização.
- ④ As baterias podem explodir quando atiradas para o fogo, por isso, nunca queime uma bateria.
- ⑤ Guarde a ferramenta/carregador/bateria num local onde a temperatura não exceda os 50 °C.
- ⑥ Não elimine ferramentas elétricas juntamente com o lixo doméstico comum.

## UTILIZAÇÃO

- Carregar a bateria
  - ! **Leia os avisos de segurança e as instruções fornecidas com o carregador.**
- Remover/Instalar a bateria ②
- Indicador do nível da bateria ⑦
  - Prima o botão do indicador do nível da bateria AB para ver o atual nível da bateria ⑦a.
  - ! **Quando o nível mais baixo do indicador da bateria começar a piscar após premir o botão AB ⑦b, a bateria está descarregada.**
  - ! **Quando 2 níveis do indicador da bateria começarem a piscar após premir o botão AB ⑦c, a bateria não se encontra dentro da temperatura de funcionamento permitida.**
- Luz LED da linha da sombra ③
  - A sua ferramenta vem equipada com uma luz LED da linha da sombra na parte inferior da proteção superior. Esta fornece iluminação adicional sobre a lâmina da serra e superfície da peça a ser trabalhada.
  - A luz LED projeta uma sombra da lâmina da serra para orientar a ferramenta ao longo da linha de corte desejada assinalada na peça a ser trabalhada.
  - ! **Teste sempre primeiro numa peça de refugo.**
  - A luz LED liga-se automaticamente quando prime ligeiramente o gatilho do interruptor. Ela desliga-se passados cerca de 10 segundos após libertar o gatilho do interruptor.
  - ! **A luz LED pisca rapidamente quando a ferramenta e/ou a bateria se sobrecarregarem ou ficarem demasiado quentes, e os sensores internos desligam a ferramenta. Largue a ferramenta durante um momento, ou separe a ferramenta da bateria e coloque as duas expostas a um fluxo de ar que as arrefeça.**
  - ! **A luz LED pisca mais lentamente para indicar que a bateria está fraca. Recarregue a bateria.**
  - O disco de limpeza do LED X incorporado na proteção superior foi criado para limpar a luz LED. Quando a luz LED ficar fraca por causa da serradura acumulada, rode o disco de limpeza do LED X em qualquer direção para remover a serradura e aumentar de novo os níveis de luminosidade da luz LED.
- Proteção da bateria
  - A ferramenta desliga-se de repente ou é impossível ligá-la quando
    - a carga é muito grande -> retire a carga e reinicie
    - A temperatura da bateria não se encontra dentro do raio da temperatura de funcionamento permitida de -20 a +50 °C -> 2 níveis do indicador do nível da bateria começam a piscar quando prime o botão AB ⑦c; espere que a bateria volte ao raio da temperatura de funcionamento permitida.
    - A bateria está quase gasta (para proteger contra grandes descargas) -> é apresentado um baixo nível da bateria ou a piscar ⑦b no indicador do nível da bateria quando prime o botão AB; carregue a bateria.
  - ! **Não continue a premir o interruptor de ligar/desligar após a ferramenta se desligar automaticamente. A bateria pode ficar danificada.**
- Montagem da lâmina da serra AA ②
  - ! **Retire a bateria da ferramenta.**
  - Retire a chave sextavada A do espaço de arrumação B.
  - Prima o botão de bloqueio do eixo C e mantenha-o premido enquanto retira o parafuso D rodando a chave sextavada A NO SENTIDO DOS PONTEIROS DO RELÓGIO (= na mesma direção que a seta impressa na lâmina da serra).
  - ! **Prima o botão de bloqueio do eixo C apenas quando a ferramenta estiver completamente parada.**
  - Liberte o botão de bloqueio do eixo C.
  - Retire o rebordo E.
  - ! **Certifique-se de que as superfícies de fixação H dos rebordos estão perfeitamente limpas e viradas para a lâmina.**
  - Abra a proteção inferior F com a alavanca G e mantenha-a aberta enquanto monta a lâmina da serra com os dentes e a seta impressa virados na mesma direção que a seta da proteção inferior.
  - Liberte a proteção inferior F.
  - Monte o rebordo E.
  - Prima o botão de bloqueio do eixo C e mantenha-o premido enquanto aperta o parafuso D com a chave sextavada A 1/8 de volta após o aperto com a mão (garante que a lâmina da serra desliza quando encontra resistência excessiva, reduzindo assim a sobrecarga do motor e ressaltos da serra).
  - Liberte o botão de bloqueio do eixo C.
- Ajustar a profundidade de corte (0-57 mm) ⑨
  - Desaperte o manipulo K.
  - Levante/baixar a placa do pé J até que a profundidade de corte desejada seja definida na escala usando o indicador de profundidade de corte L.
  - Aperte o manipulo K.
  - Para um corte com uma qualidade ótima, a lâmina da serra não deverá passar mais de um dente abaixo da peça a ser trabalhada.
- Ajustar o ângulo de corte (0-45°) ⑩
  - Desaperte o manipulo M.
  - Incline a ferramenta até que o ângulo de corte desejado seja definido na escala, usando o indicador do ângulo de corte N.
  - Aperte o manipulo M.
  - ! **Quando efetuar cortes de esquadria, a profundidade de corte não corresponde ao valor na escala da profundidade de corte.**
- Indicador da linha de corte P ⑪
  - Para orientar a ferramenta ao longo da linha de corte desejada assinalada na peça a ser trabalhada.
  - Para um corte reto de 0° ou corte de esquadria falsa de 45°, use a respetiva linha indicadora.
  - ! **A parte larga do pé deverá assentar na parte suportada da peça a ser trabalhada.**
  - ! **A largura de corte é determinada pela largura dos dentes da lâmina e não pela largura da estrutura da lâmina.**
  - ! **Faça sempre um corte de teste para verificar a atual linha de corte.**
- Aspiração do pó ⑫
  - Fixe o adaptador do aspirador R na porta de extração do pó Q com o parafuso com cabeça de estrela.
  - Para usar o aspirador
    - Ligue a mangueira do aspirador ao adaptador do aspirador R.
  - ! **Nunca permita que a mangueira do aspirador interfira com a proteção inferior F ou a operação de corte.**

Saco do pó

- Monte o saco do pó AC \*NÃO INCLuíDO NO PACOTE PADRÃO

- Utilizar a ferramenta

- Monte a bateria.

- Segure sempre a pega traseira S firmemente com uma mão e a pega dianteira T firmemente com a outra mão.

- Coloque a ferramenta com a extremidade dianteira do pé plana na peça a ser trabalhada.

**! Certifique-se de que os dentes da serra não estão em contacto com a peça a ser trabalhada.**

- Ligue a ferramenta premindo primeiro o interruptor de segurança W e depois puxando o interruptor do gatilho V.

**! A ferramenta deverá funcionar à velocidade máxima antes de a lâmina entrar na peça a ser trabalhada.**

- A proteção inferior F abre automaticamente quando a lâmina da serra entra na peça a ser trabalhada (abra manualmente a proteção inferior usando a alavanca G apenas em cortes especiais, como cortes de imersão).

**! Não force a ferramenta (faça uma pressão ligeira e contínua para evitar o sobreaquecimento das pontas da lâmina).**

- Após terminar o corte, desligue a ferramenta libertando o gatilho V.

**! Certifique-se de que a lâmina parou por completo antes de levantar a ferramenta da peça a ser trabalhada.**

## CONSELHOS DE APLICAÇÃO

- Olhe sempre para baixo no lado bom da peça a ser trabalhada para garantir o mínimo de lascas.

- Use apenas lâminas afiadas do tipo correto 13.

- A qualidade de corte melhora com o número de dentes.

- As lâminas com ponta de carboneto permanecem afiadas até 30 vezes mais tempo do que as lâminas vulgares.

- Cortes cruzados ou rasgados 14

Os cortes cruzados ou rasgados são fáceis de fazer com uma guia paralela Y.

- Alinhe a linha de orientação com o indicador da linha de corte P de 0° no pé.

- Insira a guia paralela Y através das ranhuras em ambos os lados do pé para a largura desejada, e fixe com o manípulo Z.

**! Certifique-se de que a barreira de corte rasgado não interfere com o movimento livre da proteção inferior e com a lâmina da serra.**

- Corte por imersão 15

- Defina a profundidade de corte desejada.

- Incline a ferramenta para a frente com o indicador da linha de corte P alinhado com a linha desejada de corte assinalada na peça a ser trabalhada.

- Abra a proteção inferior F com a alavanca G.

- Antes de a lâmina entrar na peça a ser trabalhada, ligue a ferramenta e baixe gradualmente a extremidade traseira da ferramenta usando a extremidade dianteira do pé como ponto de dobradiça.

- Mova gradualmente a ferramenta para baixo e para a frente.

- Mal a lâmina entre no material, liberte a alavanca G.

**! Nunca puxe a ferramenta para trás.**

- Cortar painéis grandes 16

- Suporte o painel perto do corte no chão, mesa ou bancada de trabalho.

**! Defina a profundidade de corte de modo a cortar através do painel e não através do suporte.**

- Caso a guia paralela não permita a largura de corte desejada, fixe ou pregue uma peça de madeira reta na peça a ser trabalhada como guia, e use o lado direito do pé contra esta guia 17.

- Cortar com uma calha guia 19

\*NÃO INCLuíDO NO PACOTE PADRÃO

A utilização de uma calha guia oferece um corte preciso e reto em cortes de esquadria de 45° ou de 90°.

Antes de fazer o primeiro corte com a calha guia, o lábio de borracha tem de ser adaptado à serra circular usada.

- Para um corte reto de 90°, alinhe o lado de esquadria de 90° da calha AD (ou o lado de esquadria de 45° quando fizer um corte de esquadria de 45°) com a linha de corte desejada assinalada na peça a ser trabalhada.

- Fixe a calha guia AD firmemente na peça a ser trabalhada usando bráçadeiras da calha guia AE 18  
\*NÃO INCLuíDO NO PACOTE PADRÃO

- Faça deslizar a serra para a calha guia AD e certifique-se de que a serra desliza livremente na calha sem oscilar para os lados.

- Quando definir a profundidade de corte, lembre-se de permitir a espessura da calha guia AD.

- Oriente a serra uniformemente com uma taxa de alimentação lenta através da extremidade da calha guia AD.

- Para mais informações, consulte [www.skil.com](http://www.skil.com).

## MANUTENÇÃO / REPARAÇÃO

- Esta máquina não foi criada para utilização profissional.
- Mantenha a ferramenta sempre limpa.


**! Retire a bateria da ferramenta antes de proceder à limpeza.**

- Mantenha sempre a área em redor da proteção inferior F 2 limpa (retire o pó e lascas soprando com ar comprimido ou passando com uma escova).
- Limpe a lâmina da serra imediatamente após a utilização (especialmente quanto a resina e cola).
- Se a ferramenta falhar apesar dos cuidados de fabrico e procedimentos de teste, a reparação deverá ser efetuada por um centro de reparação pós-venda autorizado para ferramentas elétricas SKIL.
  - Envie a ferramenta desmontada, juntamente com a prova de compra, para o seu representante ou ponto de reparação SKIL mais próximo (os endereços e também os esquemas de reparação estão listados em [www.skil.com](http://www.skil.com)).
- Tenha em conta que danos devido a sobrecarga ou manuseamento inadequado da ferramenta não são abrangidos pela garantia (para saber as condições da garantia SKIL, consulte [www.skil.com](http://www.skil.com) ou informe-se com o seu revendedor).

## AMBIENTE

Apenas para países da UE

- **Não elimine ferramentas elétricas, acessórios nem a embalagem juntamente com o lixo doméstico comum.**

- Em conformidade com a Diretiva Europeia 2012/19/CE relativa aos resíduos de equipamento elétrico e eletrônico e respetiva implementação em conformidade com as leis nacionais, ferramentas elétricas que tenham atingido o final do seu ciclo de vida devem ser recolhidas separadamente e entregues em instalações de reciclagem ambientalmente compatíveis.
- O símbolo  serve para lembrar isto quando for necessária a eliminação.

**! Antes da eliminação, proteja os terminais da bateria com fita resistente, para evitar um curto-circuito.**

## RUÍDO/VIBRAÇÃO

- Medido de acordo com a EN 62841. O nível de pressão do som desta ferramenta é de 94 dB(A), e o nível de potência do som é de 102 dB(A) (incerteza K = 3 dB), e a vibração < 2,5 m/s<sup>2</sup> (soma vetorial das 3 direções; incerteza K = 1,5 m/s<sup>2</sup>).
  - O nível de emissão da vibração foi medido de acordo com um teste padronizado da norma EN 62841. Pode ser usado para comparar duas ferramentas e como avaliação preliminar da exposição à vibração quando usar a ferramenta para as aplicações mencionadas.
    - Usar a ferramenta para diferentes aplicações, ou com acessórios diferentes ou mal mantidos, pode **aumentar** significativamente o nível de exposição.
    - As vezes que a ferramenta é desligada ou quando estiver a funcionar, mas sem estar a efetuar o trabalho, pode **reduzir** significativamente o nível de exposição.
- ! Proteja-se dos efeitos das vibrações realizando a manutenção da ferramenta e dos seus acessórios, mantendo as mãos quentes e organizando os seus padrões de trabalho.**

I

## Sega circular senza spazzole 3551

### INTRODUZIONE

- Questo utensile è progettato per effettuare tagli longitudinali o trasversali nel legno, dritti e obliqui fino a 45°.
- Questo utensile non è destinato all'uso professionale.
- Leggere e conservare questo manuale di istruzioni. ③

### SPECIFICHE TECNICHE ①

### COMPONENTI DELL'APPARECCHIO ②

- A Chiave esagonale
- B Fermaglio per chiave esagonale
- C Pulsante di bloccaggio dell'alberino
- D Bullone
- E Flangia esterna
- F Cuffia di protezione inferiore
- G Leva di apertura della cuffia di protezione inferiore
- H Flangia interna
- J Piastra base
- K Manopola per regolare la profondità di taglio

- L Indicatore della profondità di taglio
  - M Manopola di regolazione dell'angolo di taglio
  - N Indicatore dell'angolo di taglio
  - P Indicatore della linea di taglio
  - Q Porta di estrazione della polvere
  - R Adattatore per aspirapolvere
  - S Impugnatura posteriore
  - T Impugnatura anteriore
  - U Fessura del binario guida
  - V Interruttore a barra
  - W Interruttore di sicurezza
  - X Quadrante di pulizia a LED
  - Y Guida parallela
  - Z Manopola di regolazione della guida parallela
  - AA Lama della sega
  - AB Alindicatore del livello della batteria
  - AC AContentitore della polvere\*
  - AD ABinario guida\*
  - AE AMorsetto del binario guida\*
- \* NON INCLUSO NELLA VERSIONE STANDARD

## SICUREZZA

### AVVERTENZE DI SICUREZZA GENERICHE

**⚠ AVVERTENZA! Consultare tutte le avvertenze di sicurezza, le istruzioni, le illustrazioni e le specifiche fornite insieme a questo utensile elettrico.** Il mancato rispetto delle istruzioni sotto riportate comporta il rischio di scossa elettrica, incendio e/o gravi infortuni.

**Conservare tutte le avvertenze e le istruzioni per futuro riferimento.**

Il termine "utensile elettrico" utilizzato nelle avvertenze indica un utensile elettrico alimentato tramite rete elettrica (con cavo) o batterie (senza cavo).

### 1) SICUREZZA DELL'AREA DI LAVORO

- a) **Mantenere l'area di lavoro pulita e ben illuminata.** Il disordine e la scarsa illuminazione favoriscono gli incidenti.
- b) **Non usare gli utensili elettrici in atmosfere esplosive, ad esempio in presenza di liquidi, gas o polveri infiammabili.** Gli utensili elettrici creano scintille che possono incendiare polveri o fumi.
- c) **Durante l'uso dell'utensile elettrico, tenere a distanza i bambini e le persone presenti.** Le distrazioni possono far perdere il controllo dell'utensile.

### 2) SICUREZZA ELETTRICA

- a) **Le spine degli utensili elettrici devono essere adatte al tipo di presa. Non modificare la spina in alcun modo. Non usare adattatori con gli utensili elettrici dotati di messa a terra (collegati a massa).** L'uso di spine originali corrispondenti al tipo di presa riduce il rischio di scossa elettrica.
- b) **Evitare il contatto del corpo con superfici collegate a terra come tubi, radiatori, fornelli elettrici e frigoriferi.** Il rischio di scossa elettrica aumenta se il proprio corpo è collegato a terra.
- c) **Non esporre gli utensili elettrici a pioggia o umidità.** L'infiltrazione di acqua all'interno di un utensile elettrico aumenta il rischio di scossa elettrica.

- d) **Non utilizzare il cavo in modo improprio. Non usare il cavo per trasportare, tirare o scollegare l'utensile elettrico dalla presa di corrente.** Tenere il cavo al riparo da calore, olio, bordi taglienti o parti in movimento. La presenza di cavi danneggiati o aggrovigliati aumenta il rischio di scossa elettrica.
- e) **Durante l'uso di un utensile elettrico all'aperto, utilizzare una prolunga idonea per ambienti esterni.** L'uso di un cavo idoneo riduce il rischio di scossa elettrica.
- f) **Se è necessario lavorare in un luogo umido, utilizzare un circuito elettrico dotato di interruttore differenziale (RCD).** L'uso di un interruttore differenziale riduce il rischio di scossa elettrica.
- 3) SICUREZZA PERSONALE**
- a) **Durante l'uso di un utensile elettrico, prestare sempre la massima attenzione e utilizzare il buon senso. Non usare un utensile elettrico se si è stanchi o sotto l'effetto di droghe, alcol o farmaci.** Anche un solo momento di disattenzione durante l'uso dell'utensile elettrico può provocare gravi infortuni.
- b) **Indossare dispositivi di protezione individuale. Indossare dispositivi di protezione per gli occhi.** I dispositivi di protezione individuale come maschere antipolvere, calzature antiscivolo, caschi e cuffie per le orecchie, se utilizzati quando le circostanze lo richiedono, riducono il rischio di infortuni.
- c) **Prevenire l'avvio accidentale. Assicurarsi che l'interruttore sia in posizione di arresto prima di sollevare, trasportare o collegare l'utensile elettrico alla presa di corrente e/o alla batteria.** Per ridurre il rischio di incidenti, non trasportare gli utensili elettrici tenendo le dita sull'interruttore e non collegarli alla fonte di alimentazione se l'interruttore è in posizione di avvio.
- d) **Rimuovere eventuali chiavi di regolazione o avvvitamento prima di avviare l'utensile elettrico.** Una chiave di serraggio rimasta inserita in un elemento mobile dell'utensile elettrico comporta il rischio di infortuni.
- e) **Non allungarsi eccessivamente. Mantenere sempre un buon equilibrio evitando posizioni instabili.** Ciò assicura un miglior controllo dell'utensile elettrico in situazioni impreviste.
- f) **Vestirsi in modo adeguato. Non indossare indumenti ampi o gioielli. Tenere capelli e indumenti lontani dalle parti in movimento.** Indumenti ampi, gioielli e capelli lunghi possono impigliarsi nelle parti in movimento.
- g) **Se sono disponibili dei dispositivi per l'estrazione e la raccolta della polvere, assicurarsi che siano collegati e utilizzati correttamente.** L'uso di tali dispositivi può ridurre i rischi derivanti dalla polvere.
- h) **Non lasciare che la familiarità con l'utensile (derivata da un uso frequente) abbassi il livello di attenzione.** Anche una minima distrazione può causare gravi infortuni.
- 4) USO E MANUTENZIONE DELL'UTENSILE ELETTRICO**
- a) **Non forzare l'utensile elettrico. Utilizzare l'utensile più adatto al lavoro da svolgere.** Un utensile elettrico corretto è più sicuro ed efficace al regime per cui è stato progettato.
- b) **Non usare l'utensile elettrico se l'interruttore non funziona correttamente.** Un utensile elettrico che non può essere controllato dall'interruttore è pericoloso e deve essere riparato.
- c) **Rimuovere il gruppo batteria, se removibile, e/o scollegare l'utensile elettrico dalla rete elettrica prima di regolarlo, riporlo o sostituire gli accessori.** Tali misure preventive riducono il rischio di avvio accidentale dell'utensile elettrico.
- d) **Riporre gli utensili elettrici fuori dalla portata dei bambini e non permetterne l'uso a persone che non hanno familiarità con l'utensile o con queste istruzioni.** Gli utensili elettrici sono pericolosi se utilizzati da persone non competenti.
- e) **Mantenere gli utensili elettrici e gli accessori in buono stato. Verificare che le parti mobili non siano disallineate o inceppate, che i componenti non siano danneggiati e che non siano presenti altri problemi che potrebbero pregiudicare il corretto funzionamento dell'utensile elettrico. Se l'utensile elettrico è danneggiato, farlo riparare prima di utilizzarlo nuovamente.** Molti incidenti sono provocati da utensili elettrici in cattive condizioni.
- f) **Mantenere gli accessori di taglio puliti e affilati.** Un'adeguata manutenzione e affilatura degli accessori da taglio riduce il rischio di inceppamento e facilita il controllo dell'utensile elettrico.
- g) **Usare l'utensile elettrico, gli accessori, le punte ecc. conformemente a queste istruzioni, tenendo conto delle condizioni dell'area di lavoro e del tipo di lavoro da svolgere.** L'uso dell'utensile elettrico per operazioni diverse da quelle per cui è progettato può comportare situazioni di pericolo.
- h) **Mantenere le impugnature e le superfici di presa asciutte, pulite e prive di olio o grasso.** Impugnature e superfici di presa scivolose non garantiscono l'uso sicuro e il controllo dell'utensile in situazioni impreviste.
- 5) USO E MANUTENZIONE DEGLI UTENSILI A BATTERIA**
- a) **Ricaricare la batteria esclusivamente con il caricabatteria specificato dal costruttore.** Un caricabatteria adatto a un certo tipo di gruppo batteria comporta il rischio di incendio se utilizzato con gruppi batteria di tipo diverso.
- b) **Usare esclusivamente gruppi batteria progettati specificamente per questo utensile.** L'uso di altri gruppi batteria comporta il rischio di incendio e infortunio.
- c) **Quando il gruppo batteria non è in uso, tenerlo lontano da piccoli oggetti metallici, ad esempio graffette, monete, chiavi, chiodi, viti ecc. poiché potrebbero creare un collegamento tra i due terminali.** Il cortocircuito dei terminali della batteria comporta il rischio di incendio o ustioni.
- d) **L'utilizzo improprio può causare fuoriuscite di liquido dalla batteria: evitare il contatto con tale liquido. In caso di contatto accidentale, lavare l'area interessata con acqua. Se il liquido entra a contatto con gli occhi, consultare un medico.** Il liquido fuoriuscito dalla batteria può causare irritazioni o ustioni.
- e) **Non usare gruppi batteria o utensili danneggiati o modificati.** Le batterie danneggiate o modificate possono manifestare comportamenti imprevisti, con il rischio di incendio, esplosione o infortunio.
- f) **Non esporre il gruppo batteria o l'utensile a fiamme o temperature eccessive.** L'esposizione a fiamme o

temperature superiori a 130°C comporta il rischio di esplosione.

- g) **Rispettare tutte le istruzioni relative alla ricarica e non ricaricare il gruppo batteria o l'utensile a temperature diverse da quelle specificate nelle istruzioni.** Una ricarica eseguita in modo improprio o a temperature diverse da quelle specificate può danneggiare la batteria e aumentare il rischio di incendio.

#### 6) RIPARAZIONI

- a) **Affidare la riparazione dell'utensile a personale qualificato e utilizzare esclusivamente parti di ricambio identiche.** Ciò garantisce la sicurezza dell'utensile elettrico.
- b) **Non riparare gruppi batteria danneggiati. La riparazione dei gruppi batteria deve essere effettuata esclusivamente dal costruttore o da un centro di assistenza autorizzato.**

### ISTRUZIONI DI SICUREZZA PER LE SEGHE CIRCOLARI SENZA SPAZZOLE

#### ISTRUZIONI DI SICUREZZA PER TUTTE LE SEGHE

- a) **⚠ PERICOLO! Tenere le mani lontane dall'area di taglio e dalla lama. Tenere la seconda mano sull'impugnatura ausiliaria o sul vano motore.** Tenere entrambe le mani a contatto con l'apparecchio per evitare il rischio di lesioni a causa del contatto con la lama.
- b) **Non sporgersi sotto il materiale in lavorazione.** La cuffia di protezione non offre protezione dalla lama nell'area sottostante il materiale in lavorazione.
- c) **Regolare la profondità di taglio in base allo spessore del materiale da tagliare.** Dalla parte inferiore del materiale deve sporgere meno di un dente intero della lama.
- d) **Non tenere il materiale in lavorazione con le mani o sulle gambe durante il taglio. Fissare il materiale su una piattaforma stabile.** È importante sostenere adeguatamente il materiale per ridurre il rischio di lesioni, piegamento della lama o perdita di controllo.
- e) **Tenere l'utensile elettrico esclusivamente tramite le impugnature isolanti durante le operazioni in cui l'accessorio di taglio può entrare a contatto con cavi elettrici nascosti.** Il contatto con un cavo elettrificato può trasmettere la corrente alle parti metalliche esposte dell'utensile, provocando una scossa elettrica all'operatore.
- f) **Per i tagli longitudinali, usare un'apposita guida.** Ciò aumenta la precisione del taglio e riduce il rischio di inceppamento della lama.
- g) **Usare sempre lame i cui fori sono di dimensioni e forma corrette (a diamante o rotonda).** Gli accessori che non si adattano al sistema di fissaggio della lama saranno decentrati, causando una perdita di controllo.
- h) **Non usare bulloni o rondelle per lame danneggiati o scorrenti.** Il bullone e le rondelle della lama installati sono stati progettati specificamente per questa sega, per le migliori prestazioni e la massima sicurezza.

### ULTERIORI ISTRUZIONI DI SICUREZZA PER TUTTE LE SEGHE

#### CONTRACCOLPO E RELATIVE AVVERTENZE

- Il contraccolpo è una reazione improvvisa che si verifica quando la lama rimane inceppata, incastrata o disallineata, provocando un movimento incontrollato della sega verso l'alto e fuori dal pezzo in lavorazione in direzione dell'operatore.
- Quando la lama rimane inceppata o incastrata nel taglio, la lama si blocca e la reazione del motore spinge rapidamente l'apparecchio all'indietro verso l'operatore.
- Se la lama rimane inceppata o disallineata nel taglio, i denti sul bordo posteriore della lama possono conficcarsi nella superficie del legno facendo fuoriuscire la lama dall'intaccatura in direzione dell'operatore.

Il contraccolpo è il risultato di un uso improprio e/o di procedure o condizioni di funzionamento scorrette, e può essere evitato adottando le precauzioni descritte di seguito.

- a) **Mantenere una presa salda con entrambe le mani sull'apparecchio e posizionare le braccia in modo tale da resistere alle forze di contraccolpo. Tenere il corpo a lato della lama, ma non allineato ad essa.** Le forze di contraccolpo sono in grado di spostare la lama dall'indietro, ma possono essere controllate dall'operatore, adottando le dovute precauzioni.
- b) **Se la lama si inceppa, o prima di interrompere il taglio per qualsiasi motivo, rilasciare l'interruttore a grilletto e tenere l'apparecchio fermo nel materiale finché la lama non si arresta completamente. Non tentare mai di rimuovere l'apparecchio dal materiale o di tirarlo verso di sé mentre è ancora in movimento per evitare il rischio di contraccolpo.** Individuare la causa dell'inceppamento della lama e liberarla con opportuni interventi.
- c) **Quando si riavvia l'apparecchio già inserito nel materiale, centrare la lama nel taglio affinché i denti non si incastrino nel materiale.** Se la lama è inceppata, può impennarsi o causare un contraccolpo al riavvio dell'apparecchio.
- d) **Per ridurre il rischio di inceppamento della lama e contraccolpo, sostenere i pannelli di grandi dimensioni.** I pannelli di grandi dimensioni tendono a piegarsi sotto il proprio peso. Posizionare dei supporti sotto entrambi i lati del pannello, sia lungo la linea di taglio che in prossimità dei bordi.
- e) **Non usare lame smussate o danneggiate.** Lame non affilate o fissate in modo scorretto producono un taglio molto stretto che comporta il rischio di eccessiva frizione, inceppamento della lama e contraccolpo.
- f) **Prima di eseguire il taglio, serrare saldamente le leve di regolazione della profondità e dell'angolo di taglio.** Se la lama si sposta durante il taglio può incepparsi e provocare un contraccolpo.
- g) **Prestare particolare attenzione durante il taglio in una parete o altre aree nascoste.** La lama sporgente potrebbe tagliare oggetti suscettibili di provocare un contraccolpo.

#### FUNZIONAMENTO DELLA CUFFIA PROTEZIONE INFERIORE

- a) **Prima di ogni utilizzo, controllare che la protezione retrattile sia abbassata correttamente. Non usare la sega se la protezione retrattile non si muove liberamente e non si abbassa immediatamente. Non bloccare o fissare la protezione retrattile in**

**posizione sollevata. Se la sega cade per terra, la protezione retrattile potrebbe piegarsi.** Sollevare la protezione retrattile con l'apposita leva e assicurarsi che si muova liberamente e non tocchi la lama o altre parti, in tutte gli angoli e le profondità di taglio.

- b) **Controllare il funzionamento della molla della protezione retrattile. Se la cuffia di protezione e la molla non funzionano correttamente, devono essere riparate prima dell'uso.** La cuffia di protezione inferiore potrebbe funzionare scorrettamente a causa di parti danneggiate, depositi gommosi o accumulo di detriti.
- c) **La protezione retrattile può essere sollevata manualmente solo per tagli particolari come i tagli "a immersione" e i tagli "composti". Sollevare la protezione retrattile con l'apposita leva e, non appena la lama entra nel materiale, rilasciare la protezione retrattile.** Per tutti gli altri tipi di taglio, la protezione retrattile deve funzionare automaticamente.
- d) **Assicurarsi sempre che la protezione retrattile copra la lama prima di posizionare la sega su un banco o per terra.** Una lama non protetta, se messa in movimento, può far indietreggiare la sega, tagliando qualsiasi oggetto lungo il percorso. È importante conoscere il tempo necessario alla lama per arrestarsi dopo il rilascio dell'interruttore.

#### AVVERTENZE GENERALI

- Questo strumento non deve essere utilizzato da persone di età inferiore ai 16 anni.
- Questo utensile non è adatto al taglio a umido.
- **Non lavorare materiali contenenti amianto.** L'amianto è considerato una sostanza cancerogena.
- Polveri derivanti da materiali come rivestimenti a base di piombo, alcuni tipi di legno, metallo e minerali possono essere tossiche. Venire a contatto o respirare tali polveri può causare all'utente o agli astanti reazioni allergiche e/o infiammazioni alle vie respiratorie. **Indossare una maschera antipolvere e usare sistemi di estrazione della polvere, se disponibili.**
- Alcuni tipi di polveri, ad esempio quelle di quercia e faggio, sono considerate cancerogene, in particolare se il legno è stato trattato con additivi per il trattamento del legno. **Indossare una maschera antipolvere e lavorare con un dispositivo di aspirazione della polvere, se disponibile.**
- Rispettare le normative nazionali in merito alle polveri per i materiali con cui si desidera lavorare.
- Non usare questa sega in combinazione con un banco sega.
- Rimuovere la batteria prima di regolare l'utensile o sostituire gli accessori.

#### ACCESSORI

- SKIL assicura il corretto funzionamento dell'utensile se sono utilizzati accessori originali.
- Utilizzare esclusivamente accessori la cui velocità consentita è almeno equivalente alla velocità a vuoto massima dell'apparecchio.
- Utilizzare esclusivamente lame con le specifiche riportate in questo manuale di istruzioni e conformi allo standard EN 847-1.
- Utilizzare solo lame con diametro di 165 mm e foro del mandrino di 16 mm.
- Non usare mai dischi di taglio/smerigliatura con questo utensile.

#### PRIMA DELL'USO

- Prima di iniziare a lavorare, rimuovere eventuali viti, chiodi e altri elementi presenti nel pezzo in lavorazione per evitare che causino danni.
- Rimuovere qualsiasi ostacolo sopra e sotto il percorso del taglio prima di iniziare il taglio.
- **Fissare il pezzo da lavorare** (un pezzo da lavorare fissato con appositi dispositivi o una morsa è bloccato più saldamente).
- **Rilevare l'eventuale presenza di cavi elettrici o tubature nascoste nell'area di lavoro con appositi rilevatori o contattando le relative società responsabili.** Il contatto con cavi elettrici comporta il rischio di incendio e scossa elettrica; il danneggiamento di tubi del gas comporta il rischio di esplosione; la rottura di un tubo dell'acqua comporta il rischio di danni materiali o scossa elettrica.

#### DURANTE L'USO

- Il livello di rumorosità durante l'uso può superare gli 85 dB(A); indossare dispositivi di protezione per le orecchie.
- Non usare mai l'utensile senza il sistema di protezione originale.
- Non tentare di tagliare pezzi estremamente piccoli.
- Non usare l'utensile sopra il livello della propria testa.
- In caso di inceppamento o di malfunzionamento elettrico o meccanico, spegnere immediatamente l'utensile e rimuovere la batteria.

#### DOPO L'USO

- Prima di appoggiare l'utensile, arrestarlo e assicurarsi che tutte le parti mobili siano completamente ferme.
- Dopo aver arrestato l'utensile, non frenare la rotazione della lama applicando una forza laterale.

#### BATTERIE

- **La batteria in dotazione, se presente, è parzialmente carica** (per garantire la piena capacità della batteria, caricarla completamente nel caricabatterie prima di utilizzare l'elettroutensile per la prima volta)
- **Utilizzare esclusivamente le batterie e i caricabatterie elencati di seguito con questo utensile.**
  - Batteria SKIL: BR1\*31\*\*\*\*
  - Caricabatteria SKIL: CR1\*31\*\*\*\*
- Non utilizzare la batteria se è danneggiata. Sostituirla immediatamente.
- Non disassemblare la batteria.
- Non esporre l'utensile o la batteria alla pioggia.
- Temperature ambientali (utensile/caricabatteria/batteria):
  - Durante la ricarica: da 4°C a 40°C
  - Durante l'uso: da -20°C a +50°C
  - Durante la conservazione: da -20°C a +50°C

#### SIGNIFICATO DEI SIMBOLI SULL'APPARECCHIO

- ③ Leggere il manuale di istruzioni prima dell'uso.
- ④ Le batterie possono esplodere se gettate nel fuoco. Pertanto, non bruciarle per alcun motivo.
- ⑤ Riporre l'utensile, il caricabatteria e la batteria in ambienti la cui temperatura non supera i 50°C.
- ⑥ Non smaltire gli utensili elettrici e le batterie insieme ai rifiuti domestici.

#### UTILIZZO

- Carica della batteria
- **! Leggere le istruzioni e le avvertenze di sicurezza fornite insieme al caricabatteria.**
- Rimozione/installazione della batteria ②
- Indicatore del livello della batteria ⑦

- Premere il pulsante dell'indicatore del livello della batteria AB per visualizzare il livello di carica corrente della batteria ⑦a
- ! **Quando l'ultima barra dell'indicatore del livello della batteria inizia a lampeggiare dopo aver premuto il pulsante AB ⑦b, la batteria è scarica**
- ! **Quando 2 barre dell'indicatore del livello della batteria iniziano a lampeggiare dopo aver premuto il pulsante AB ⑦c, la temperatura della batteria è fuori dai valori che ne consentono il funzionamento.**
- Linea d'ombra luce LED ⑧  
L'utensile è dotato di una luce LED a linea d'ombra situata sotto la protezione superiore.  
In questo modo si ottiene un'illuminazione supplementare sulla lama e sulla superficie del pezzo. La luce LED proietta l'ombra della lama per guidare l'utensile lungo la linea di taglio desiderata segnata sul pezzo.  
! **effettuate sempre una prova su un pezzo di materiale di scarto**  
La luce LED si accende automaticamente premendo leggermente l'interruttore. Si spegne circa 10 secondi dopo il rilascio dell'interruttore a grilletto.  
! **Se l'utensile e/o il gruppo batteria sono sovraccarichi o troppo caldi, la luce LED lampeggerà rapidamente e i sensori interni arresteranno automaticamente l'utensile. Lasciare riposare l'utensile o posizionare l'utensile e il gruppo batteria, separatamente, sotto un flusso d'aria affinché si raffreddino.**  
! **La spia LED lampeggia più lentamente per indicare che il livello di carica del pacco batteria è basso. Ricaricare il gruppo batteria.**  
Il quadrante per la pulizia dei LED X incorporato nella protezione superiore è progettato per pulire la luce LED. Quando la luce LED si affievolisce a causa della segatura accumulata su di essa, ruotare il quadrante di pulizia LED X in qualsiasi direzione per rimuovere la segatura e rendere la luce LED nuovamente luminosa.
- Protezione della batteria  
L'utensile si arresta automaticamente, o non si avvia, nei seguenti casi:
  - **Il carico è eccessivo.** --> Rimuovere il carico e riavviare l'apparecchio.
  - **la temperatura della batteria non rientra nell'intervallo di temperatura di funzionamento consentito da -20 a +50°C** --> 2 livelli dell'indicatore di livello della batteria iniziano a lampeggiare quando si preme il pulsante AB ⑦c; attendere che la batteria rientri nell'intervallo di temperatura di funzionamento consentito
  - **La batteria è quasi scarica (protezione contro lo scaricamento profondo).** --> Il livello di carica della batteria ⑦b è indicato da una barra lampeggiante dopo aver premuto il pulsante AB. Ricaricare la batteria.
- ! **Non premere l'interruttore di avvio/arresto dopo l'arresto automatico dell'utensile per evitare di danneggiare la batteria.**
- Montaggio della lama della sega AA ②  
! **Rimuovere la batteria dall'utensile.**
  - Prelevare la chiave esagonale A dal fermaglio B.
  - Tenere premuto il pulsante di bloccaggio dell'alberino C e rimuovere il bullone D ruotando la chiave esagonale
- **A IN SENSO ORARIO** (ovvero nella direzione della freccia stampata sulla lama).  
! **Premere il pulsante di bloccaggio dell'alberino C esclusivamente quando l'utensile è completamente fermo.**
  - Rilasciare il pulsante di bloccaggio dell'alberino C.
  - Rimuovere la flangia esterna E.
- ! **Assicurarsi che le superfici di bloccaggio H delle flange siano perfettamente pulite e rivolte verso la lama.**
  - Aprire la cuffia di protezione posteriore F con la leva G e tenerla premuta durante l'installazione della lama. Assicurarsi che i denti della lama e la freccia stampata sulla lama siano rivolti nella direzione indicata dalla freccia sulla cuffia di protezione posteriore.
  - Rilasciare la cuffia di protezione posteriore F.
  - Installare la flangia esterna E.
  - Tenere premuto il pulsante di bloccaggio dell'alberino C mentre si serra il bullone D con la chiave esagonale A ruotandolo di 1/8 di giro senza forzare (ciò assicura che la lama slitti quando incontra una resistenza eccessiva, riducendo il carico sul motore e il rischio di contraccolpo).
  - Rilasciare il pulsante di bloccaggio dell'alberino C.
- Regolazione della profondità di taglio (0-57 mm) ⑨
  - allentare la manopola K
  - alzare/abbassare il piedino J fino a quando la profondità di taglio desiderata è impostata sulla scala utilizzando l'indicatore della profondità di taglio L
  - serrare la manopola K
  - per ottenere tagli della massima qualità, la lama non deve sporgere oltre un dente sotto il pezzo da lavorare.
- Regolazione dell'angolo di taglio (0-45°) ⑩
  - allentare la manopola M
  - inclinare l'utensile fino a raggiungere l'angolo di taglio desiderato facendo riferimento all'indicatore N sulla scala.
  - serrare la manopola M
- ! **con tagli obliqui la profondità di taglio non corrisponde al valore indicato sulla scala di profondità di taglio**
- Indicatore della linea di taglio P ⑪
  - Per guidare l'utensile lungo la linea di taglio marcata sul materiale in lavorazione.
  - per tagli dritti a 0° o tagli obliqui a 45° utilizzare la linea di indicazione corrispondente
- ! **la più larga parte del piede deve poggiare sulla parte supportata del pezzo in lavorazione**
- ! **la larghezza di taglio è determinata dalla larghezza dei denti della lama**
- ! **effettuate sempre delle prove prima di procedere al taglio**
- Aspirazione della polvere ⑫  
Fissare l'adattatore per aspirapolvere R alla porta di aspirazione Q con la vite a croce.  
In combinazione con un aspirapolvere
  - Collegare il tubo dell'aspirapolvere all'adattatore per aspirapolvere R.
- ! **Assicurarsi che il tubo dell'aspirapolvere non interferisca con la cuffia di protezione inferiore F o l'operazione di taglio.**  
Contenitore della polvere
  - montare il sacchetto raccogli-polvere AC \*NON



## INCLUSO DI SERIE

- Utilizzo dell'utensile
  - Installare la batteria.
  - afferrare saldamente l'impugnatura posteriore S con una mano e l'impugnatura anteriore T con l'altra mano.
  - Posizionare l'utensile con il bordo anteriore della piastra base appoggiato sul materiale.
- ! **assicurarsi che la lama non tocchi il pezzo in lavorazione**
  - per avviare l'utensile, premere prima l'interruttore di sicurezza W, quindi l'interruttore a grilletto V
- ! **l'utensile deve avere la massima velocità prima che la lama entri nel pezzo in lavorazione**
  - La cuffia di protezione inferiore F si aprirà automaticamente quando la lama penetra nel materiale (solo per tagli particolari come i tagli a immersione, la cuffia di protezione inferiore può essere aperta manualmente usando la leva G).
- ! **non forzare l'utensile (applicare una pressione leggera e continua per evitare un surriscaldamento delle punte della lama)**
  - al termine del taglio, arrestare l'utensile rilasciando l'interruttore a grilletto V
- ! **assicurarsi che la lama si sia arrestata completamente prima di sollevare l'utensile dal pezzo da lavorare.**

## SUGGERIMENTI PER L'USO

- Orientare il lato esposto del pezzo da lavorare verso il basso per ridurre la formazione di schegge.
- Usare esclusivamente lame affilate di tipo corretto <sup>(13)</sup>
  - Maggiore è il numero di denti, migliore sarà la qualità del taglio.
  - Le lame con denti in carburo rimangono affilate 30 volte più a lungo rispetto alle lame ordinarie.
- Tagli trasversali/longitudinali <sup>(14)</sup>

Per facilitare i tagli trasversali o longitudinali è possibile usare la guida parallela Y.

  - allineare la linea guida con la linea di indicazione taglio 0° P sulla base
  - inserire la guida parallela Y attraverso le fessure presenti su entrambi i lati della base, regolarla all'ampiezza desiderata e fissarla con la manopola Z.
- ! **assicurarsi che la guida non interferisca con il movimento della cuffia di protezione inferiore e della lama.**
- Taglio a immersione <sup>(15)</sup>
  - Regolare la profondità di taglio.
  - inclinare l'utensile in avanti allineando l'indicatore della linea di taglio P con la linea di taglio marcata sul pezzo da lavorare.
  - Aprire la cuffia di protezione inferiore F con la leva G.
  - Avviare l'utensile appena prima che la lama penetri nel materiale, quindi abbassare gradualmente l'estremità posteriore dell'utensile usando il bordo anteriore della piastra base come perno.
  - Spostare gradualmente l'utensile verso il basso e in avanti.
  - Non appena la lama penetra nel materiale, rilasciare la leva G.
- ! **non tirate mai l'utensile indietro**
- Taglio di pannelli di grandi dimensioni <sup>(16)</sup>
  - Sostenere il pannello in prossimità del taglio usando il

pavimento, un tavolo o un banco da lavoro.

- ! **fissate la profondità di taglio in modo da non tagliare il supporto**
  - se la guida parallela non consente di impostare la larghezza di taglio desiderata, fissare o inchiodare un pezzo di legno dritto sul pezzo da lavorare come guida, quindi appoggiare il lato destro della base contro questa guida <sup>(17)</sup>
- Taglio con il binario guida <sup>(19)</sup>
  - \* **NON INCLUSA NELLA VERSIONE STANDARD**
  - Il binario guida permette di ottenere tagli dritti precisi o tagli obliqui sia a 45° che a 90°.
  - Prima di effettuare il primo taglio con il binario guida è necessario adattare il bordo in gomma alla sega circolare utilizzata.
  - per tagli dritti a 90°, allineare il lato obliquo a 90° della guida AD (o il lato obliquo a 45° quando si esegue un taglio obliquo a 45°) con la linea di taglio desiderata contrassegnata sul pezzo da lavorare.
  - fissare il binario di guida AD saldamente sul pezzo da lavorare usando i morsetti AE <sup>(18)</sup> \***NON INCLUSI NELLA VERSIONE STANDARD**
  - far scorrere la sega sul binario guida AD, assicurandosi che la sega possa scorrere liberamente sulla guida senza oscillare lateralmente.
  - durante l'impostazione della profondità di taglio è necessario tenere conto dello spessore del binario guida AD.
  - guidare la sega facendola avanzare lentamente e in modo uniforme fino alla fine del binario guida AD.
- Per ulteriori informazioni, visitare il sito web [www.skil.com](http://www.skil.com)

## MANUTENZIONE E RIPARAZIONE

- Questo apparecchio non è destinato all'uso professionale.
- Mantenere l'utensile sempre pulito.
- ! **Rimuovere la batteria dall'utensile prima di pulirlo.**
- Mantenere l'area intorno alla cuffia di protezione inferiore F <sup>(2)</sup> sempre pulita (rimuovere polvere e trucioli con dell'aria compressa o una spazzola).
- Pulire la lama immediatamente dopo l'uso (in particolare rimuovere i residui di resina o colla).
- Se l'utensile presenta malfunzionamenti nonostante l'attenzione durante la fabbricazione e il collaudo, deve essere riparato da un centro di assistenza post-vendita per utensili elettrici SKIL.
  - Portare l'utensile senza disassemblarlo insieme a una prova di acquisto presso il rivenditore o a un centro di assistenza SKIL (gli indirizzi e la vista esplosa dell'utensile sono riportati sul sito web [www.skil.com](http://www.skil.com)).
- Tenere presente che i danni causati dal sovraccarico o da un utilizzo improprio dell'utensile non sono coperti dalla garanzia (le condizioni della garanzia SKIL sono consultabili sul sito web [www.skil.com](http://www.skil.com) o presso il rivenditore).

## PROTEZIONE AMBIENTALE

Solo per i paesi UE

- **Non smaltire gli utensili elettrici, gli accessori e i materiali di imballaggio insieme ai rifiuti domestici.**
  - Ai sensi della direttiva europea 2012/19/EC sui rifiuti di apparecchiature elettriche ed elettroniche e alla sua implementazione nella legislazione nazionale, gli

utensili elettrici devono essere raccolti separatamente e portati presso un'apposita struttura di riciclaggio.

- Il simbolo  indica tale obbligo.

! **Prima dello smaltimento, proteggere i terminali della batteria con del nastro isolante per evitare il rischio di corto circuito.**


## EMISSIONE ACUSTICA E VIBRAZIONI

- I valori di emissioni acustiche e delle vibrazioni sono stati misurati conformemente a EN 62841. Il livello di pressione sonora dell'utensile è di 94 dB(A) e il livello di potenza sonora è di 102 dB(A) (incertezza K = 3 dB). Il livello di vibrazioni è <math><2,5 \text{ m/s}^2</math> (somma vettoriale triassiale; incertezza K = 1,5  $\text{m/s}^2$ ).
  - Il valore totale di emissioni delle vibrazioni è stato misurato con il metodo valutazione standard prescritto da EN 62841 e può essere utilizzato per confrontare l'utensile con altri prodotti analoghi e per una valutazione preliminare dei livelli di esposizione.
    - L'utilizzo dell'utensile per altri scopi, o l'utilizzo di accessori diversi o in cattive condizioni, può **aumentare** significativamente il livello di esposizione.
    - Il periodo in cui l'utensile è spento, o è in funzione ma non in uso, può **ridurre** significativamente il livello di esposizione.
- ! **Per proteggersi dagli effetti delle vibrazioni, mantenere l'utensile e gli accessori in buono stato, tenere le mani calde e pianificare il lavoro.**

H

## Kefe nélküli körfűrész 3551

### BEVEZETÉS

- Ez a szerszám a hosszirányú és keresztirányú vágására szolgál egyenes, valamint 45°-os szögű vágással
- Ez a szerszám nem professzionális használatra készült
- Olvassa el figyelmesen a használati utasítást, és őrizze meg 

## MŰSZAKI ADATOK


### GÉPELEMEK

- A Hatszögkulcs
- B Imbuszkulcs tartója
- C Elfordulás elleni gomb
- D Csavar
- E Karima
- F Alsó fűrészlapvédő pajzs
- G Kar a fűrészlapvédő kinyitásához
- H Rögöző felület
- J Talp
- K Gomb a vágásmélység beállításához
- L Vágásmélység mutató
- M Vágási szög beállító gomb
- N Vágási szög mutató
- P Leolvasó
- Q Porkivezető csatlakozás
- R Porszívó illesztőegység
- S Hátsó fogantyú
- T Elülső fogantyú

- U Vezetősín nyílás
  - V Indítókapcsoló
  - W Biztonsági kapcsoló
  - X LED tisztító korong
  - Y Vezetőlemez
  - Z Párhuzamos vezetőlemez beállító gomb
  - AA Fűrészlap
  - AB AAkkumulátor töltésszintjelző
  - AC APorzsák\*
  - AD AVezetősín\*
  - AE AVezetősín bilincs\*
- \* NEM STANDARD TARTOZÉK

## BIZTONSÁG

### ÁLTALÁNOS GÉPBIZTONSÁGI FIGYELMEZTETÉSEK

 **FIGYELMEZTETÉS** Olvassa el az elektromos szerszámmal mellékelt összes biztonsági figyelmeztetést, utasítást, ábrát és specifikációt. Az alább felsorolt utasítások be nem tartása áramütést, tűzveszélyt és/vagy súlyos sérülést idézhet elő.

**Őrizzen meg minden figyelmeztetést és utasítást, hogy később is elő tudja majd venni.**

Az „elektromos szerszám” megnevezés a figyelmeztetésekben egyaránt vonatkozik a hálózati feszültségről meghajtott (vezetékes) elektromos szerszámokra, valamint az akkumulátorral működtetett (vezeték nélküli) elektromos szerszámokra.

### 1) MUNKATERÜLETI BIZTONSÁG

a) **Tartsa a munkaterületet tisztán és jól megvilágítva.**

A munkaterületen uralkodó rendetlenségnek vagy a rossz megvilágításnak baleset lehet a következménye.

b) **Ne használjon elektromos szerszámokat robbanásveszélynek kitett környezetben, például olyan helyen, ahol éghető folyadékok, gázok vagy porok találhatóak.** Az elektromos szerszámok szikrákat képeznek, amelyek meggyújtják a porokat vagy gázokat.

c) **Tartsa távol a gyermekeket és az illetéktelen személyeket, amikor elektromos szerszámmal dolgozik.** Ha megzavarják, elveszítheti uralmát a készülék felett.

### 2) ELEKTROMOS BIZTONSÁG

- a) **Az elektromos szerszám hálózati csatlakozódugójának illeszkednie kell az elektromos aljzathoz. Soha és semmiképpen se módosítsa a csatlakozódugót.** Ne használjon adapteres csatlakozódugókat a földelt elektromos szerszámokhoz. Az eredeti csatlakozódugó és megfelelő hálózati aljzat alkalmazásával megelőzi az áramütés veszélyét.
- b) **Ne érjen földelt felületekhez, ilyenek pl. a csövek, fűtőtestek, tűzhelyek vagy hűtőszekrények.** Az áramütés kockázata nagyobb, ha a teste le van földelve.
- c) **Ne tegye ki az elektromos szerszámot esőnek vagy nedves környezetnek.** Az elektromos szerszámba bekerülő víz megnöveli az áramütés kockázatát.
- d) **Ne használja a kábelt helytelen módon. Soha ne használja a kábelt az elektromos szerszám hordozására, húzására vagy lecsatlakoztatására.**

- Tartsa távol a vezetékét hőtől, olajtól, éles szegélyektől és mozgó alkatrészekről. A sérült vagy összegabalyodott hálózati kábelek megnövelik az áramütés veszélyét.
- e) **Az elektromos szerszám szabadtéri üzemeltetéséhez használjon szabadtéren használható hosszabbító kábelt.** A szabadtéren használható kábel alkalmazása csökkenti az áramütés kockázatát.
- f) **Ha elkerülhetetlen az elektromos szerszám használata nedves helyen, használjon földzárlat-megszakítóval (FI-relé) ellátott tápellátást.** A FI-relé használata csökkenti az áramütés veszélyét.
- 3) SZEMÉLYI BIZTONSÁG**
- a) **Legyen figyelmes, ügyeljen arra, amit csinál, és józan ésszel fogjon a munkához, ha elektromos szerszámot használ.** Ne használja az elektromos szerszámot, ha fáradtnak érzi magát, vagy ha kábítószert, alkoholt vagy gyógyszerek hatása alatt áll. Az elektromos szerszám üzemeltetése közben egy pillanatnyi figyelmetlenség is súlyos személyi sérülést okozhat.
- b) **Használjon személyi védőfelszerelést. Mindig viseljen védőszemüveget.** A védőfelszerelések – mint például porvédő maszk, csúszásmentes lábbeli, sisak és hallásvédő – rendeltetészerű használata révén elkerüli a személyi sérüléseket.
- c) **Akadályozza meg a véletlen indítást. Ügyeljen arra, hogy a kapcsoló kikapcsolt állásban legyen, mielőtt az áramforráshoz és/vagy az akkumulátoregységhez csatlakoztatja, felveszi vagy viszi a szerszámot.** Balesetekhez vezethet, ha a hálózatra csatlakoztatott szerszámot úgy viszi, hogy közben az ujjja a bekapcsoló gombon van, vagy ha a hálózati csatlakozódugót olyankor dugja be az aljzatba, amikor be van kapcsolva a szerszám.
- d) **Vegye ki a csavarkulcsot és a beállító szerszámot, mielőtt az elektromos szerszámot bekapcsolná.** Az elektromos szerszám mozgó alkatrészén felejtett csavarkulcs vagy eszköz személyi sérülést okozhat.
- e) **Ne hajoljon a szerszám fölé. Vegyen fel stabil testhelyzetet, és mindig tartsa meg az egyensúlyát.** Ezáltal jobban tudja irányítani az elektromos szerszámot a legváratlanabb helyzetben is.
- f) **Viseljen megfelelő ruházatot. Ne hordjon laza, bő ruhát, és ne viseljen ékszert.** A haj és a ruházat ne érjen a mozgó részekhez. A laza ruházatot, az ékszert vagy a hosszú hajat becsíphetik a mozgó alkatrészek.
- g) **Ha az elektromos kéziszerszámot porszívó vagy portlefogó eszközzel szerel fel, akkor győződjön meg arról, hogy ezek előírászerűen vannak-e csatlakoztatva, és használja őket a rendeltetésüknek megfelelően.** Porgyűjtő használata csökkentheti a porral járó veszélyeket.
- h) **Ne hagyja, hogy a rendszeres használat során megszerzett tapasztalat miatt túl magabiztossá váljon, és emiatt figyelmen kívül hagyja a biztonsági irányelveket.** Egy óvatlan cselekedet a másodperc töredéke alatt súlyos sérülést okozhat.
- 4) AZ ELEKTROMOS SZERSZÁM ÜZEMELTETÉSE ÉS GONDOZÁSA**
- a) **Ne terhelje túl az elektromos kéziszerszámot.** A munkájához használja az arra alkalmas elektromos kéziszerszámot. A megfelelő elektromos kéziszerszámmal jobban és biztonságosabban dolgozhat a megadott teljesítményhatárokon belül.
- b) **Ne használja az elektromos szerszámot, ha nem lehet a bekapcsoló gomb segítségével be- vagy kikapcsolni.** Az olyan elektromos kéziszerszám, amely nem irányítható a kapcsolóval, veszélyes és javításra szorul.
- c) **Húzza ki a hálózati csatlakozó dugót az aljzatról és/vagy vegye ki az akkumulátoregységet (ha kivehető) az elektromos szerszámából, mielőtt beállításokat végezne, tartozékokat cserélne vagy az elektromos szerszámot elrakná.** Az ilyen megelőző biztonsági óvintézkedések csökkentik az elektromos kéziszerszám véletlen beindításának kockázatát.
- d) **A használaton kívüli elektromos szerszámokat gyermekektől távol tartsa, és ne engedje meg, hogy olyan személyek használják az elektromos szerszámot, akik nem ismerik azt, vagy nincsenek tisztában ezekkel a biztonsági utasításokkal.** Az elektromos szerszámok veszélyt jelentenek a gyakorlatlan felhasználó kezében.
- e) **Gondosan tartsa karban az elektromos szerszámot és tartozékait. Ellenőrizze a mozgó részek beállítását és rögzítését, vizsgáljon meg minden részt, nem sérült-e, és ellenőrizze, nem állnak-e fenn olyan körülmények, amelyek befolyásolhatják az elektromos kéziszerszámok helyes működtetését. Használat előtt javíttassa meg a sérült elektromos kéziszerszámot.** A rosszul karbantartott elektromos szerszámok sok balesetet okoznak.
- f) **A vágószerszámok legyenek mindig élesek és tiszták.** A megfelelően karbantartott és kiélezett vágóélekkel rendelkező vágószerszámok kevésbé hajlamosak az elgömbösülésre, valamint könnyebben kezelhetők.
- g) **Az elektromos kéziszerszámot, tartozékot, vágóféléteket, stb. mindig ezen biztonsági utasításoknak megfelelően használja, mindig vegye figyelembe a munkakörülményeket, és legyen tekintettel a megmunkálandó munkadarabra.** Az elektromos kéziszerszámoknak az előírt rendeltetési céltól eltérő célra való használata veszélyes.
- h) **Tartsa szárazon, tisztán, olajtól és zsírtól mentesen a fogantyúkat és a tartófelületeket.** A csúszós fogantyúk és tartófelületek miatt a szerszám kezelése és vezérése váratlan helyzetekben nem biztonságos.
- 5) AZ AKKUMULÁTORRAL MŰKÖDŐ SZERSZÁM ÜZEMELTETÉSE ÉS GONDOZÁSA**
- a) **Csak a gyártó által meghatározott töltőt használja.** Az olyan töltő, amely egy típusú akkumulátoregységhez alkalmas, tűzveszélyt okozhat, ha más típusú akkumulátoregységhez használja.
- b) **Az elektromos szerszámokat csak speciálisan meghatározott akkumulátoregységekkel használja.** Bármely más akkumulátoregység használata sérülés- vagy tűzveszélyt okozhat.
- c) **Amikor nem használja az akkumulátoregységet, tartsa távol más fémtárgyaktól, például gemkapcsoktól, érméktől, kulcsoktól, szögektől, csavaroktól vagy más kis fémtárgyaktól, amelyek kapcsolatba léphetnek vele.** Az akkumulátorok kapcsolata rövidzárlata égési sérülést vagy tüzet okozhat.

- d) **Nem megfelelő körülmények között folyadék szívároghat az akkumulátorból; ügyeljen rá, hogy ne kerüljön érintkezésbe vele. Amennyiben véletlenül hozzáérne, mossa le vízzel.** Ha ez a folyadék szembe kerül, forduljon orvoshoz. Az akkumulátorból kiszivárgó folyadék irritációt vagy égési sérülést okozhat.
- e) **Ne használjon sérült vagy módosított akkumulátoregységet vagy szerszámot.** A sérült vagy módosított akkumulátorok előre nem látható módon viselkedhetnek, aminek eredménye tűz, robbanás vagy sérülésveszély lehet.
- f) **Ne tegye ki az akkumulátoregységet tűznek vagy túlzott hőmérsékletnek.** Ha tűznek, vagy 130 °C feletti hőmérsékletnek teszi ki, akkor felrobbanhat.
- g) **Tartsa be a töltési utasításokat, és ne töltsd az akkumulátoregységet vagy a szerszámot az utasításokban meghatározott hőmérséklet-tartományon kívül.** A nem megfelelő vagy a meghatározott hőmérséklet-tartományon kívüli töltés megrongálhatja az akkumulátort, és növeli a tűzveszélyt.
- 6) **SZERVÍZ**
- a) **Az elektromos kéziszerszám szervizelését szakképzett szerelő végezze, csak az eredetivel megegyező cserealkatrészek felhasználásával.** Ezzel biztosítja az elektromos kéziszerszám biztonságának fenntartását.
- b) **Soha ne szervizeljen sérült akkumulátoregységeket. Az akkumulátoregységek szervizelését csak a gyártó vagy a felhatalmazott szerviz szolgáltató végezheti.**

## A KEFE NÉLKÜLI KÖRFŰRÉSZRE VONATKOZÓ BIZTONSÁGI UTASÍTÁSOK

### BIZTONSÁGI UTASÍTÁSOK VALAMENNYI FŰRÉSZHEZ

- a) **⚠ VESZÉLY:** Tartsa távol a kezét a vágási területtől és a fűrészlaptól. Tartsa a másik kezét a segédfogantyún vagy a motorházon. Ha mindkét kezével tartja a fűrész, a fűrészlap nem vághatja el.
- b) **Ne nyúljon a munkadarab alá.** A védőburkolat nem tudja megvédeni Önt a munkadarab alatti fűrészlaptól.
- c) **A vágási mélységet a munkadarab vastagságához állítsa be.** A munkadarab alatt ne látszódjának teljesen a pengéfogak.
- d) **Vágás közben soha ne tartsa a munkadarabot a kezében vagy keresztben a lábán. Biztosítsa a munkadarabot egy stabil platformra.** Fontos, hogy megfelelően rögzítse a munkadarabot, hogy minimálisra csökkentse a test terhelését, a fűrészlap elakadását, vagy az irányítás elvesztését.
- e) **Az elektromos szerszámokat a szigetelt markolatoknál fogva tartsa, amikor olyan műveletet végez, ahol a vágószerszám rejtett vezetőket érinthet.** A „feszültség” alatti vezetékkel való érintkezés „feszültség” alá helyezheti az elektromos kéziszerszám burkolat nélküli fémrészeit, és a gépkezelő áramütést szenvedhet.
- f) **Fűrészelésnél mindig használjon fűrész kerítést vagy egyenes élű vezetőt.** Ez javítja a vágás pontosságát és csökkenti a penge elakadásának esélyét.
- g) **Mindig olyan fűrészlapokat használjon, amelyek tűske furata megfelelő méretű és formájú (gyémánt**

vagy kör). A fűrész szerelési tartozékához nem illeszkedő penge egyenetlenül fog futni, ezzel az irányítás elvesztését okozva.

- h) **Soha ne használjon sérült vagy helytelen fűrészlap-alátétet vagy csavart.** A fűrészlap-alátéteket és csavarokat kifejezetten a fűrészhez tervezték az optimális teljesítmény és a biztonságos működés érdekében.

### TOVÁBBI BIZTONSÁGI UTASÍTÁSOK VALAMENNYI FŰRÉSZHEZ

#### A VISSZARÚGÁS OKAI ÉS AZ EZZEL KAPCSOLATOS FIGYELMEZTETÉSEK

- a visszarúgás egy becsipett, elakadt vagy rosszul beállított fűrészpengére adott hirtelen reakció, mely által a fűrész irányíthatatlanná válik, és felemelkedik a munkadarabból a kezelő felé;
- amikor a penge szorosan becsipődik vagy elakad a bevágásban, a penge elakad, akkor a motor reakciójaként az egység gyorsan visszalökődik a kezelő felé;
- ha a penge meghajlik vagy elszíneződik a vágásban, a penge hátsó szélén lévő fogak belevághatnak a fa felső felületébe, ami miatt a penge kiválik a szegélyből, és visszaugrik a kezelő felé.

A visszarúgást a fűrész helytelen használata, illetve a nem megfelelő üzemeltetési bánásmód okozza, az alább felsorolt megfelelő óvintézkedések alkalmazásával kerülhető el:

- a) **Tartsa erősen, két kézzel a fogantyút, és úgy helyezkedjen el a karjával, hogy ellen tudjon tartani a visszarúgás erejének. Legyen a teste a fűrészlap valamelyik oldalán, de ne egy vonalban a fűrészlappal.** A visszarúgás miatt a fűrész visszaugorhat, a kezelő azonban szabályozhatja a visszarúgás erejét, ha megteszi a megfelelő óvintézkedéseket.
- b) **Amikor a fűrészlap meghajlik, vagy bármilyen okból megszakad a vágás, engedje el a trigger, és tartsa a fűrész mozdatlanul az anyagban, amíg a fűrészlap teljesen meg nem áll. Soha ne próbálja meg eltávolítani a fűrész a munkadarabból, és ne próbálja meg visszahúzni a fűrész, amíg a penge mozog, vagy visszarúgás fordulhat elő.** Vizsgálja meg és hárítsa el a hibát, hogy megszüntesse a penge elakadásának okát.
- c) **Amikor újraindítja a fűrész a munkadarabban, a pengét a mélyedésben úgy kell központosítani, hogy a fűrészfogak ne akadjanak bele az anyagba.** Ha egy fűrész penge megakad, akkor a fűrész újraindítása közben felfelé mozoghat vagy visszarúghat a munkadarabról.
- d) **Rögzítse a nagy paneleket, hogy minimálisra csökkentse a penge megakadásának és visszarúgásának kockázatát.** A nagy panelek hajlamosak a saját súlyuk alatt elhajlani. A tartókat mindkét oldalon a panel alá kell helyezni, a vágási vonal közelében és a panel szélének közelében.
- e) **Ne használjon tompa vagy sérült fűrészlapot.** Az életlen vagy nem megfelelően beállított pengék a vezetőlemez keskenyedéséhez vezetnek, ami túlzott súrlódást, a penge elakadását, és visszarúgást okozhat.
- f) **A vágás előtt a penge mélység és ferdeség beállító reteszelőkaroknak szorosan és biztonságosan**

kell lenniük. Ha a fűrészlap beállításai vágás közben eltolódnak, az elakadást és visszarugást okozhat.

- g) **Fokozott óvatossággal járjon el, ha meglévő falba vagy más holtterbe fűrészel.** A kiálló fűrészlap elvághat tárgyakat, amely visszarugást okozhat.

#### **AZ ALSÓ VÉDŐBURKOLAT MŰKÖDÉSE**

- a) **Minden használat előtt ellenőrizze az alsó védőburkolat megfelelő záródását. Ne működtesse a fűrészt, ha az alsó védőburkolat nem mozog szabadon és azonnal lezár. Soha ne szorítsa be, és ne rögzítse az alsó védőburkolatot nyitott helyzetben.** Ha a fűrészt véletlenül leesik, az alsó védőburkolat meghajolhat. Emelje fel az alsó védőburkolatot a visszahúzó fogantyúval, és győződjön meg róla, hogy szabadon mozog-e, és nem ér-e a pengéhez vagy bármely más részhez minden szögben és mélységben.
- b) **Ellenőrizze az alsó védőburkolat rugójának működését. Ha a védőburkolat és a rugó nem működik megfelelően, akkor használat előtt szervizelni kell őket.** Az alsó védőburkolat a sérült részek, a gumi nyomok vagy a törmelék felhalmozódása miatt lassú működést okozhat.
- c) **Az alsó védőburkolat csak olyan speciális vágások esetén húzható vissza kézzel, mint például a „beszúró vágások” és „összetett vágások”. Emelje fel az alsó védőburkolatot a visszahúzó fogantyúval, és amint a penge behatol az anyagba, az alsó védőburkolatot el kell engedni.** Az összes többi fűrészeléshez az alsó védőburkolatnak automatikusan kell működnie.
- d) **Mindig ügyeljen arra, hogy az alsó védőburkolat fedje a pengét, mielőtt a fűrészt egy padra vagy padlóra helyezi.** A védetlen, leálló penge miatt a fűrészt hátrafelé mozog, és elvágja, ami az útjába kerül. Figyeljen arra az időre, amely ahhoz szükséges, hogy a fűrészlap leálljon a kapcsoló megnyomása után.

#### **ÁLTALÁNOS TUDNIVALÓK**

- Ezt a szerszámot csak 16 éven felüli személyek használhatják
- Ez a szerszám vedves vágáshoz nem használható.
- Ne munkáljon meg azbesztt tartalmazó anyagokat** (az azbeszt rákkeltő hatású anyagoknak minősül).
- Az olyan anyagokból származó por, mint például az ólomt tartalmazó festékek, néhány fafajta, ásványi anyagok és fém, káros lehet (a por megérintése vagy belélegzése allergiás reakciókat és/vagy légzőszervi betegségeket okozhat a kezelő vagy a közelben állók esetében); **viseljen porvédő maszkot, és amennyiben csatlakoztatható, dolgozzon porleszívó berendezéssel.**
- Bizonyos porfajták rákkeltőnek minősülnek (ilyen például a tölgy- és a bükkfa pora), különösen a fa kondicionálására szolgáló adalékokkal együtt; **viseljen porvédő maszkot és amennyiben csatlakoztatható, dolgozzon porleszívó berendezéssel.**
- Kövesse a por kezelésével kapcsolatos nemzeti előírásokat azon termékek esetében, amellyel dolgozni kíván.
- Ne használja ezt a fűrészt fűrészasztallal együtt.
- Vegye ki az akkumulátort a szerszámból, mielőtt beállításokat végezne rajta, vagy tartozékokat cserélne.

#### **TARTOZÉKOK**

- A SKIL cég kizárólag eredeti alkatrészek és

kiegészítők alkalmazása esetén tudja garantálni a gép problémamentes működését.

- Csak olyan tartozékokat használjon, amelyek legnagyobb megengedett fordulatszáma legalább akkora, mint a berendezés legnagyobb üresjáratú fordulatszáma.
- Csak olyan fűrészlapokat használjon, amelyek megfelelnek a kezelési utasításban megadott adatoknak, és amelyeket az EN 847-1 szabványnak megfelelően ellenőriztek.
- Csak 165 mm átmérőjű és 16 mm orsófurattal rendelkező fűrészlapokat használjon.
- Soha ne használjon köszörű-/vágókorongot ehhez a szerszámmal.

#### **HASZNÁLAT ELŐTT**

- Ügyeljen arra, hogy a munkadarabban lévő csavar, szög vagy hasonló elem ne okozhasson sérüléseket; a munka megkezdése előtt távolítsa el ezeket.
- Mielőtt elkezdené a vágást, távolítson el minden akadályt a vágási útvonal felett és alatt.
- Rögzítse a munkadarabot** (befogó eszközzel vagy satuval befogott munkadarabot biztonságosabban lehet rögzíteni mint a kézzel tartottat)
- A rejtett közművezetékek felkutatásához használjon alkalmas fémkereső készüléket, vagy kérje ki a helyi közműszolgáltató tanácsát** (ha megérinti az elektromos vezetékeket a berendezéssel, az tűzhöz és áramütéshez vezethet; a gázvezeték megrongálása robbanást eredményezhet; a vízvezetékbe való behatolás pedig anyagi károkat és áramütést okozhat).

#### **HASZNÁLAT KÖZBEN**

- Munka közben a zajszint meghaladhatja a 85 dB(A) értéket; használjon fülvédőt.
- Soha ne használja a szerszámot az eredeti védőburkolat nélkül.
- Ne próbáljon nagyon kicsi munkadarabot vágni.
- Ne dolgozzon a szerszámmal a feje felett.
- A normálított eltérő működés, valamint elektromos és mechanikus rendellenesség esetén azonnal kapcsolja ki a szerszámot és vegye ki az akkumulátort.

#### **A HASZNÁLATOT KÖVETŐEN**

- Mielőtt elteszi a szerszámot, kapcsolja ki a motort, és ügyeljen arra, hogy minden mozgó alkatrész teljesen leálljon.
- A kőrfűrészt kikapcsolása után a fűrészlap leállását semmilyen oldalsó erővel ne kísérelje meg gyorsítani.

#### **AKKUMULÁTOROK**

- A tartozék akkumulátor részlegesen van feltöltve** (az akkumulátor teljes kapacitásának biztosítása érdekében az elektromos szerszám első használata előtt töltsen fel teljesen az akkumulátort az akkumulátortöltőben)
- Csak a következő akkumulátorokkal és töltőkkel használja a szerszámot**
  - SKIL akkumulátor: BR1\*31\*\*\*\*
  - SKIL töltő: CR1\*31\*\*\*\*
- A hibás akkumulátort ne használja; haladéktalanul cserélje ki.
- Ne szerelje szét az akkumulátort.
- A szerszámot/akkumulátort óvja az esőtől.
- Megengedett környezeti hőmérséklet (szerszám/töltő készülék/akkumulátor):
  - a töltés során 4...40°C
  - a használat során -20...+50°C
  - a tárolás során -20...+50°C

#### **A SZERSZÁMON TALÁLHATÓ SZIMBÓLUMOK MAGYARÁZATA**

- ③ Használat előtt olvassa el a használati utasítást
- ④ Ha az akkumulátorok tűzbe kerülnek, akkor felrobbanhatnak, ezért semmilyen okból ne égesse el az akkumulátorokat
- ⑤ Ne tárolja a szerszámot/töltőt/akkumulátort 50°C feletti helyiségben
- ⑥ Ne dobja ki az elektromos szerszámokat és az akkumulátorokat a háztartási hulladékok közé

## KEZELÉS

- Az akkumulátor töltése
  - ! **olvassa el a töltővel kapott biztonsági figyelmeztetéseket és utasításokat**
- Az akkumulátor kivétele/behelyezése ②
- Akkumulátor töltésszintjelző ⑦
  - nyomja meg az akkumulátor töltöttségi szintjét jelző AB gombot az aktuális akkumulátorszint ⑦a kijelzéséhez
  - ! **amikor az AB ⑦b gomb megnyomása után az akkumulátor kijelzőjének legalacsonyabb szintje villogni kezd, az akkumulátor lemerült**
  - ! **amikor az AB ⑦c gomb megnyomása után az akkumulátor kijelzőjének 2 szintje villogni kezd, az akkumulátor nincs a megengedett üzemi hőmérséklet-tartományon belül**
- Árnyékvonal LED-lámpa ⑧
  - Ez a szerszám árnyékvonal LED-lámpával van ellátva a felső burkolat alatt.
  - Ez további megvilágítást biztosít a fűrészlapon és a munkadarab felületén.
  - A LED-lámpa a fűrészlap árnyékát a munkadarabon megjelölt kívánt vágási vonal mentén vetíti a szerszám vezetéséhez.
  - ! **hulladék anyagon próbálja ki a munka megkezdése előtt**
  - A LED-lámpa automatikusan kapcsol be a kioldókapcsoló enyhe megnyomásakor. és a trigger kapcsoló felengedése után kb. 10 másodperccel kikapcsolódik.
  - ! **Amikor a szerszám és/vagy az akkumulátoregység túlterhelte válik vagy felforrósodik, a LED-lámpa gyorsan kezd villogni, a belső érzékelők pedig kikapcsolják a szerszámot. Egy kis ideig hagyja nyugalomban a szerszámot, vagy helyezze el külön a szerszámot és az akkumulátoregységet, hogy a levegőáram lehűtse őket.**
  - ! **a LED-lámpa lassabban villog, ez jelzi, hogy az akkumulátor töltöttségi szintje alacsony. Töltse fel újra az akkumulátoregységet.**
  - A felső védőburkolatba épített X LED tisztító korog a LED-lámpa tisztítására szolgál. Ha a LED-lámpa a rajta felgyülemlett fűrészpórra miatt halványul, forgassa el az X LED tisztító korongot bármilyen irányba, hogy eltávolítsa a fűrészpórt, és a LED-lámpa ismét fényesen világítson.
- Az akkumulátor védelme
  - A szerszám hirtelen kikapcsol vagy nem lehet visszakapcsolni, ha
    - **túl nagy a terhelés** --> távolítsa el a terhelést és kezdje újra
    - **az akkumulátor hőmérséklete kívül esik a -20 és +50 °C közötti megengedett üzemi hőmérséklet-tartományon** --> az AB ⑦c gomb megnyomásakor az akkumulátor töltésszintjelző 2 szintje villogni kezd; várjon addig, amíg az akkumulátor vissza nem tér a

- megengedett hőmérséklet-tartományba
- **az akkumulátor majdnem lemerült (a mélykisülés elleni védelem érdekében)** --> alacsony akkumulátor töltésszint vagy villogó alacsony akkumulátor töltésszint ⑦b az akkumulátor töltésszintjelzőn látható az AB gomb megnyomásakor; töltse fel az akkumulátort
- ! **ha a készülék automatikusan kikapcsol, ne próbálja nyomogatni a be-/kikapcsoló gombot, mert az akkumulátor megsérülhet**
- Az AA fűrészlap ② felszerelése
  - ! **vegye ki az akkumulátort a szerszámból**
  - vegye ki az A imbuszkulcsot a B tartóból
  - nyomja le a C orszózár gombot, és tartsa benyomva, amíg eltávolítja a D csavart az imbuszkulcs
  - ÓRAMUTÓ JÁRÁSÁVAL MEGEGYEZŐ IRÁNYBAN** történő elforgatásával (= amerre a fűrészlapon nyomtatott nyíl is mutat)
  - ! **csak akkor nyomja le az orszózár C gombot, amikor a szerszám teljesen leállt**
  - oldja ki az elfordulás elleni C gombot
  - távolítsa el az E peremet
  - ! **ügyeljen arra, hogy a karimák H rögzítő felületei teljesen tiszták legyenek és a fűrészlap felé mutassanak**
  - nyissa ki az alsó F védőburkolatot a G karral, és a kart lenyomva tartva szerelje ki a fűrészlapot úgy, hogy a fűrészlapra nyomtatott nyíl valamint a fogak iránya megegyezzen az alsó védőburkolaton lévő nyíllal
  - oldja ki az alsó F védőburkolatot
  - szerelje fel az E peremet
  - nyomja le az orszózár C gombot, és tartsa benyomva, amíg a fűrészlap szorítócsavarját 1/8 fordulattal megszorítja az imbuszkulcs segítségével (ez meggátolja a fűrészlap megcsúszását, ha nagy ellenállásba ütközne, és csökken a motor túlterhelése és visszarúgása)
  - oldja ki az elfordulás elleni C gombot
- A vágási mélység (0-57 mm) ⑨ beállítása
  - lazítsa meg a K gombot
  - emelje fel/engedje le a J talplemezt, amíg a kívánt vágási mélység be nem áll a skálán az L vágási mélységjelző segítségével
  - rögzítse a K gombot
  - az optimális minőségű vágás érdekében a fűrészlap nem nyulhat egy foggal nagyobb mértékben a munkadarab alá
- A vágási szög (0-45°) ⑩ beállítása
  - lazítsa meg az M gombot
  - döntse meg a szerszámot, amíg az N vágási szög mutató el nem éri a kívánt vágási szöveget a skálán
  - rögzítse az M gombot
  - ! **ferde síkú vágás esetén a vágásmélység nem egyezik meg a vágásmélység-skálán látható értékkel**
- P vágási vonal mutató ⑪
  - a gép pontos használata érdekében vágjon a munkadarabon a rajzolt vonal mentén
  - egyenes 0°-os vagy ferde 45°-os vágáshoz használja a megfelelő jelzővonalat
  - ! **a lábázat nagyobbik része fekdőjön fel a munkadarabra**
  - ! **a vágási szélességet a fűrészlapfogak szélessége határozza meg és nem a fűrészlap vastagsága**

## **! a tényleges vágásvonal ellenőrzése érdekében, mindig tegyen először egy próbavágást**

- Porelszívás <sup>(12)</sup>  
Csatlakoztassa az R porszívóadapert a Q porelszívónyláshoz a csillagfejű csavarral.  
Porszívó használata  
- csatlakoztassa a porszívó csövét a porszívó R adapteréhez
- ! figyeljen arra, hogy a porszívócső soha ne akadályozza az F alsó védőburkolat nyílását és a vágási munkálatot**
- Porzsák  
- szerelje be az AC porzsákot \*NEM ALAPTARTOZÉK
- A szerszám használata  
- akkumulátor behelyezése  
- fogja erősen mindig az egyik kezével az S fogantyút, a másikkal pedig a T elülső fogantyút  
- a gépet helyezze a lábát az előoldalával a munkadarabra
- ! ellenőrizze, hogy a fűrészlapfogak nem szorultak-e be a munkadarabra**  
- a szerszám bekapcsolásához először nyomja meg a W biztonsági kapcsolót, majd húzza meg a V indítókapcsolót
- ! a körfűrésznek teljes fordulatszámom kell működni mielőtt a munkadarabra vezetjük**  
- az alsó F védőburkolat automatikusan kinyílik, amikor belevezeti a fűrészlapot a munkadarabra (csak speciális vágásokhoz, például szűrővágáshoz nyissa ki kézzel az alsó védőburkolatot, a G kar segítségével)
- ! ne erősítse a szerszámot (alkalmazzon enyhé és folyamatos nyomást a vágópenge hegy túlhevülésének)**  
- a vágás befejeztével kapcsolja ki a szerszámot a V indítókapcsoló felengedésével
- ! ellenőrizze, hogy a fűrészlap teljesen leállt-e, mielőtt elemeli a szerszámot a munkadarabtól**

## **HASZNÁLAT**

- A munkadarab színét mindig fordítsa lefelé, így biztosíthatja a minimális hasadást.
- Csak megfelelő típusú, éles fűrészlapokat használjon <sup>(13)</sup>  
- a vágás minősége a fogak számának növekedésével javul  
- a keményfémlepkés fűrészlap élettartama 30-szor hosszabb, mint a hagyományos
- Keresztvágások/gérvágások <sup>(14)</sup>  
Az Y párhuzamos vezető segítségével lehet könnyen elvégezni a keresztvágást vagy gérvágást.  
- igazítsa a vezetőlemezt a talpon lévő 0° vágási vonal mutatóhoz  
- illesse a párhuzamos Y vezetőt a talp egyik oldalára a nyílásokon keresztül a kívánt szélességben, és rögzítse az Z gombbal
- ! gondoskodjon róla, hogy a hasításhoz használt korlát ne zavarja az alsó vezetőlemez és a fűrészlap szabad mozgását**
- Bemerítő vágás <sup>(15)</sup>  
- a kívánt vágási mélységet állítsa be  
- döntse előre a gépet úgy, hogy a P vágási vonal mutató a munkadarabon jelölje, vágni kívánt vonallal egy vonalban legyen  
- nyissa ki az alsó F védőburkolatot a G karral

- mielőtt a fűrészlap beleér a munkadarabra kapcsolja be a gépet, és a körfűrészgép hátsó részét lassan nyomja lefelé úgy, hogy az előoldalon lévő lábát szélé legyen a terhelendő pont
- a gépet lassan engedje lefelé és egyidejűleg nyomja előre
- engedje ki az G kart, amint a fűrészlap behatol az anyagba
- ! a gépet soha ne húzza hátrafelé**
- Nagyméretű táblák vágása <sup>(16)</sup>  
- a vágásvonal mentén támasza alá a lemezt egy munkaasztalon vagy a földön
- ! állítsa be a vágás mélységét úgy, hogy a lemezt elvágja de vigyázzon, hogy a tartóba ne vágjon**  
- ha a vezetőlemez nem engedi a kívánt szélesség beállítását, rögzítsen vagy szögeljen egy egyenes, vezetőlemezként szolgáló falécut a munkadarabra, és használja a láb jobb oldalát a vezetőlemeznél <sup>(17)</sup>
- Vágás vezetőszínnel <sup>(18)</sup>  
\*NEM STANDARD TARTOZÉK  
A vezetőszin használata precíz, egyenes, pontos vágásokat biztosít 45°-os és 90°-os ferde vágásoknál egyaránt.  
Mielőtt elvégezne az első vágást a vezetőszínnel, a gumiszegélyt a használt körfűrészhez kell igazítani.  
- egyenes 90°-os vágáshoz igazítsa az ADE sin 90°-os ferde oldalát (vagy 45°-os ferde vágáskor a 45°-os ferde oldalt) a munkadarabon megjelölt kívánt vonalhoz.  
- rögzítse az AD vezetőszínt erősen a munkadarabra az AE vezetőszin-bilincsek segítségével <sup>(18)</sup> \*NEM ALAPTARTOZÉK  
- csúsztassa a fűrész az AD vezetőszinre, győződjön meg róla, hogy a fűrész szabadon csúszik a sínen anélkül, hogy oldalirányban kilengene.  
- a vágásmélység beállításakor ne felejtse el a helyet adni az AD vezetőszin vastagságának megfelelően.  
- vezesse a fűrész egyenletes, lassú előtolással az AD vezetőszin végéig.
- További információkért lásd a [www.skil.com](http://www.skil.com) oldalt


## **KARBANTARTÁS / SZERVIZ**

- Ez a gép nem professzionális használatra készült.
- Mindig tartsa tisztán a szerszámot.
- ! távolítsa el az akkumulátort a tisztítás előtt**
- Az alsó F <sup>(2)</sup> védőburkolat alatti területet mindig tartsa tisztán (sűrített levegővel vagy kefével távolítsa el a port és a fagorgácsot).
- Közvetlen a használat után tisztítsa meg a körfűrészlapot (főleg a gyantától és a ragasztótól).
- Ha a szerszám a gondos gyártási és ellenőrzési eljárás ellenére mégis meghibásodna, akkor a javítással csak SKIL elektromos kéziszerszám-műhely ügyfélszolgálatát szabad megbízni.  
- megbontás nélküli állapotában küldje a szerszámot a vásárlást bizonyító számlával együtt a márkakereskedő vagy a legközelebbi SKIL szervizállomás címére (a címlista és a gép szervizdiagramja a [www.skil.com](http://www.skil.com) címen található)
- Vegye figyelembe, hogy a szerszám túlterheléséből vagy helytelen kezeléséből eredő károk nem tartoznak a garancia hatálya alá (a SKIL garanciális feltételeit elolvashatja a [www.skil.com](http://www.skil.com) oldalon, vagy kérdezze meg

kereskedőjét)

## KÖRNYEZET

Csak EU-országok számára

- **Az elektromos szerszámokat, tartozékokat és csomagolást ne tegye a háztartási hulladékok közé**
  - az elektromos és elektronikus berendezések hulladékairól szóló 2012/19/EK európai irányelv és annak a nemzeti joggal összhangban történő végrehajtása értelmében az elhasználadott elektromos szerszámokat külön kell gyűjteni, és környezetbarát módon újra kell hasznosítani
  - erre emlékeztet a  szimbólum, ha szükség van a hulladékkezelésre
- ! **az akkumulátor hatástalanítása előtt az akkumulátor végeit erős szalaggal biztosítsuk, hogy a kúszóáramokat kiküszöbölhessük**

## ZAJ / REZGÉS


- Az EN 62841 szabványnak megfelelően végzett mérés szerint a szerszám hangnyomásszintje 94 dB(A), a hangteljesítményszintje 102 dB(A) (bizonytalanság K = 3 dB), a rezgés pedig <math><2,5 \text{ m/s}^2</math> (háromtengyelű vektor összege; K bizonytalanság K = 1.5 m/s<sup>2</sup>).
- A rezgés kibocsátási szint mérése az EN 62841 szabványosított vizsgálat szerint történik; ez az érték felhasználható egy szerszám és egy másik szerszám összehasonlítására, valamint a rezgésnek való kitettség előzetes értékelésére, amikor a szerszámot az említett alkalmazásokhoz használják
  - a szerszám különböző alkalmazásokhoz való használata vagy más vagy rosszul karbantartott tartozékokkal történő használata jelentősen **megnövelheti** a kitettség szintjét.
  - az az idő, amely alatt szerszám ki van kapcsolva, vagy működik ugyan, de valójában nem végez munkát, jelentős mértékben **csökkentheti** a kitettség szintjét.
- ! **az eszköz és tartozékai karbantartásával, kezének melegen tartásával, és munkavégzésének megszerzésével védje meg magát a rezgések hatásaitól**

CZ

## Bezkontaktní kotoučová pila

3551

### ÚVOD

- Tento nástroj je určen pro podélné a příčné řezání dřeva s rovnými řezy a řezy pod úhlem zkosení do 45°
- Toto nářadí není určeno k profesionálnímu použití
- Přečtěte a uschovejte si tento návod k použití 

## TECHNICKÉ ÚDAJE


### PRVKY STROJE

- A Šestihranný klíč
- B Úložný prostor pro šestihranný klíč
- C Tlačítko k zajištění vřetena
- D Šroub

- E Příklad
  - F Spodní kryt
  - G Páka pro otevření spodního krytu
  - H Upínací plocha
  - J Základní deska
  - K Knoflík k nastavení hloubky řezu
  - L Indikátor hloubky řezu
  - M Knoflík pro nastavení úhlu řezu
  - N Indikátor úhlu řezu
  - P Indikátor čáry řezu
  - Q Otvor pro odsávání prachu
  - R Adaptér vysavače
  - S Zadní rukojeť
  - T Přední rukojeť
  - U Drážka vodící kolejnice
  - V Hlavní vypínač
  - W Bezpečnostní spínač
  - X Čisticí kolečko LED
  - Y Paralelní vedení
  - Z Knoflík pro nastavení paralelního vedení
  - AA Pílový kotouč
  - AB Alindikátor nabití akumulátoru
  - AC ASáček na prach
  - AD ABoční lišta
  - AE ASvorka vodící kolejnice\*
- \* NENÍ STANDARDNÍ SOUČÁSTÍ

## BEZPEČNOST

### VŠEOBECNÁ BEZPEČNOSTNÍ UPOZORNĚNÍ PRO STROJ

 **VAROVÁNÍ** Přečtěte si všechny bezpečnostní výstrahy, pokyny, ilustrace a technické údaje dodané s tímto elektrickým nářadím. Nedodržení všech níže uvedených pokynů může mít za následek úraz elektrickým proudem, požár a/nebo vážný úraz.

Všechna varování a pokyny uschovejte pro budoucí použití.

Termín „elektrické nářadí“ ve varováních odkazuje na vaše elektrické nářadí (s kabelem) nebo akumulátorové nářadí (bez kabelu).

### 1) BEZPEČNOST NA PRACOVIŠTI

- a) **Udržujte pracovní prostor v čistotě a dobře osvětlený.** Nepořádek nebo neosvětlené pracovní oblasti bývají příčinou úrazů.
- b) **Nepracujte s elektrickým nářadím ve výbušném prostředí, například v přítomnosti hořlavých kapalin, plynů nebo prachu.** Elektrické nářadí je zdrojem jiskření, které může zapálit prach nebo výpary.
- c) **Při práci s elektrickým nářadím udržujte děti a přihlížející osoby v bezpečné vzdálenosti.** Nesoustředěnost může způsobit ztrátu kontroly.

### 2) ELEKTRICKÁ BEZPEČNOST

- a) **Zástrčky elektrického nářadí musí odpovídat zásuvkám. V žádném případě nikdy neupravujte zástrčku.** S uzemněným elektrickým nářadím nepoužívejte žádné rozbočovací zásuvky. Neupravené zástrčky a shodné zásuvky snižují riziko úrazu elektrickým proudem.



- b) **Zabraňte kontaktu těla s uzemněnými povrchy, jako jsou potrubí, radiátory, sporáky a ledničky.** Existuje zvýšené riziko úrazu elektrickým proudem, pokud je vaše tělo uzemněno.
- c) **Nevystavujte elektrické nářadí dešti nebo vlhkému prostředí.** Vniknutí vody do elektrického nářadí zvyšuje riziko úrazu elektrickým proudem.
- d) **Nepoužívejte kabel nevhodným způsobem. Nikdy nepoužívejte napájecí kabel k přenášení nářadí, tahání nebo vytahování zástrčky ze zásuvky.** Udržujte kabel daleko od tepla, oleje, ostrých hran nebo pohyblivých částí. Poškozené nebo spletené kabely zvyšují riziko úrazu elektrickým proudem.
- e) **Při práci s nářadím venku použijte prodlužovací kabel vhodný pro venkovní použití.** Použití kabelu vhodného pro venkovní použití snižuje riziko úrazu elektrickým proudem.
- f) **Pokud musíte s elektrickým nářadím pracovat ve vlhkém prostředí, použijte napájení s ochranou proti zbytkovému proudu (RCD).** Použití RCD snižuje riziko úrazu elektrickým proudem.
- 3) BEZPEČNOST OSOB**
- a) **Při práci s elektrickým nářadím buďte stále pozorní, sledujte, co děláte a používejte zdravý rozum.** Nepoužívejte elektrické nářadí, jste-li unaveni nebo pod vlivem drog, alkoholu nebo léků. Chvilka nepozornosti při práci s nářadím může vést k vážnému zranění.
- b) **Použijte osobní ochranné pracovní prostředky. Vždy používejte ochranu očí.** Ochranné pomůcky, jako např. respirátor, protiskluzová bezpečnostní obuv, pevná přilba nebo chrániče sluchou používané ve vhodném prostředí snižují riziko úrazu.
- c) **Zabraňte neúmyslnému spuštění. Před připojením ke zdroji napětí a/nebo akumulátoru, zvedáním nebo přenášením nářadí se ujistěte, že spínač je ve vypnuté poloze.** Přenášení nářadí s prstem na hlavním spínači nebo zapojení nářadí, které má spínač v zapnuté poloze, může způsobit nehody.
- d) **Před zapnutím elektrického nářadí odstraňte seřizovací klíče nebo klíče.** Nástroj nebo klíč, který zůstane upevněn k otáčející se části elektrického nářadí, může způsobit zranění.
- e) **Nenahýbejte se. Vždy udržujte pevný postoj a rovnováhu.** To umožní lepší ovládnání elektrického nářadí v nečekaných situacích.
- f) **Řádně se oblékejte. Nenoste volný oděv ani šperky. Udržujte své vlasy a oblečení mimo dosah pohybujících se částí.** Volný oděv, šperky nebo dlouhé vlasy se mohou zachytit do pohybujících se částí.
- g) **Pokud je zařízení vybaveno adaptérem pro připojení odsávání prachu a sběrnými zařízeními, zajistěte jejich správné připojení a řádnou funkci.** Použití odsávání prachu může snížit nebezpečí týkající se prachu.
- h) **Nedovolte, abyste se po získání zkušeností častým používáním nástrojů stali neobezřetnými a ignorovali zásady bezpečnosti.** Nedbalá činnost může způsobit vážné zranění za zlomek sekundy.
- 4) POUŽITÍ A PÉČE O ELEKTRICKÉ NÁŘADÍ**
- a) **Netlačte příliš na nářadí. Používejte správný typ nářadí pro vaše použití.** Správné elektrické nářadí bude pracovat lépe a bezpečněji rychlostí, pro kterou bylo navrženo.
- b) **Nepoužívejte elektrické nářadí v případech, že vypínač nefunguje.** Jakékoliv elektrické nářadí, které nelze ovládat spínačem, je nebezpečné a musí se opravit.
- c) **Před jakýmkoliv seřizováním, výměnou příslušenství nebo před uložením nepoužívaného elektrického nářadí odpojte akumulátor, jde-li to provést.** Tato preventivní bezpečnostní opatření snižují riziko náhodného spuštění elektrického nářadí.
- d) **Nepoužívané elektrické nářadí uchovávejte mimo dosah dětí a nenechte s elektrickým nářadím pracovat osoby, které se neseznámily s elektrickým nářadím nebo těmito pokyny.** Elektrické nářadí je v rukou nekalifikované obsluhy nebezpečné.
- e) **Udržujte elektrické nářadí a příslušenství. Zkontrolujte vychýlení či zaseknutí pohyblivých částí, poškození jednotlivých dílů a jiné okolnosti, které mohou ovlivnit provoz elektrického nářadí. Je-li nářadí poškozeno, nechejte ho před použitím opravit.** Mnoho nehod je způsobeno nedostatečnou údržbou nářadí.
- f) **Udržujte řezné nástroje ostré a čisté.** Řádně udržované řezné nástroje s ostrými řeznými hranami nemají tendenci se ohýbat a lépe se ovládají.
- g) **Používejte elektrické nářadí, příslušenství a nástrojové vrtáky atd. v souladu s těmito pokyny s přihlédnutím k pracovním podmínkám a práci, která má být provedena.** Použití elektrického nástroje na činnosti jiné, než je určující použití, může vést k nebezpečným situacím.
- h) **Udržujte rukojeti a uchopovací plochy suché, čisté, bez oleje a maziva.** Kluzké rukojeti a plochy pro uchopení neumožňují bezpečnou manipulaci s nářadím a jeho ovládání v nečekaných situacích.
- 5) POUŽITÍ A PÉČE O AKUMULÁTOROVÉ NÁŘADÍ**
- a) **K nabíjení používejte pouze nabíječku doporučenou výrobcem.** Nabíječka vhodná pro jeden typ akumulátoru může způsobit riziko požáru při použití s jiným akumulátorem.
- b) **Používejte elektrické nářadí pouze se specifikovanými akumulátory.** Použití jiných akumulátorů může způsobit riziko úrazu a požáru.
- c) **Pokud akumulátor nepoužíváte, držte jej z dosahu kovových předmětů, jako jsou kancelářské sponky na papír, mince, klíče, hřebíky, šroubky nebo další drobné kovové předměty, které mohou propojit kontakty baterie.** Zkratování kontaktů baterie může způsobit spalnění nebo požár.
- d) **V nevhodných podmínkách může z akumulátoru unikat kapalina. Zabraňte kontaktu.** Při náhodném kontaktu opláchněte vodou. Při zasažení očí kapalinou vyhledejte lékařskou pomoc. Unikající kapalina z akumulátoru může způsobit podráždění pokožky nebo popálení.
- e) **Nepoužívejte akumulátor nebo nářadí, které jsou poškozené nebo upravené.** Poškozené nebo upravené akumulátory se mohou chovat nepředvídatelně, což může vést k požáru, výbuchu nebo nebezpečí zranění.
- f) **Nevystavujte akumulátor ani nářadí ohni nebo příliš vysoké teplotě.** Při vystavení ohni nebo teplotě nad 130 °C může dojít k výbuchu.
- g) **Dodržujte všechny pokyny pro nabíjení a nenabíjejte akumulátor nebo nářadí mimo rozsah**

teplot uvedených v pokynech. Nesprávné nabíjení nebo nabíjení při teplotách mimo stanovený rozsah může poškodit akumulátor a zvýšit riziko požáru.

## 6) SERVIS

- a) **Svěřte opravu vašeho elektrického nářadí kvalifikované osobě používající pouze shodné náhradní díly.** Tím zajistíte bezpečnost elektrického nářadí.
- b) **Nikdy neopravujte poškozené akumulátory. Servis akumulátorů může provádět pouze výrobce nebo autorizovaní poskytovatelé služeb.**

## BEZPEČNOSTNÍ POKYNY PRO BEZKONTAKTNÍ KOTOUČOVÉ PÍLY

### BEZPEČNOSTNÍ POKYNY PRO VŠECHNY PÍLY

- a) **NEBEZPEČÍ: Udržujte ruce mimo oblast řezání a pilového kotouče. Druhou ruku mějte na přidavné rukojeti nebo krytu motoru.** Pokud pilu drží obě ruce, pilový list je nemůže pořežat.
- b) **Nesahejte pod obrobek.** Ochranný kryt nechrání před kotoučem pod obrobkem.
- c) **Hloubku řezu přizpůsobte tloušťce obrobku.** Pod obrobkem by měl být viditelný méně než celý zub kotouče.
- d) **Při řezání nikdy nedržte obrobek v ruce nebo přes nohu. Upevněte obrobek na stabilní platformě.** Je důležité správně podepít obrobek, aby se minimalizovalo zatížení těla, možnost uvíznutí pilového kotouče nebo ztráta kontroly.
- e) **Při provádění práce, při které se může řezný nástroj dostat do kontaktu se skrytým vedením, držte elektrické nářadí pouze za izolované části rukojeti.** Kontakt s vodičem pod proudem bude mít za následek rozvedení proudu do nechráněných kovových částí elektrického nářadí a může způsobit obsluze úraz elektrickým proudem.
- f) **Při rozřezávání používejte vždy podélné vodičko nebo rovné hranové vodičko.** To zlepšuje přesnost řezu a snižuje možnost uvíznutí kotouče.
- g) **Vždy používejte kotouče správné velikosti a tvaru (diamantové versus kulaté) upínacích otvorů.** Kotouče, které neodpovídají montážním prvkům pily, budou nevyvážené, což povede ke ztrátě kontroly.
- h) **Nikdy nepoužívejte poškozené nebo nesprávné podložky nebo šrouby kotouče.** Podložky kotouče a šrouby byly speciálně navrženy pro vaši pilu, pro optimální výkon a bezpečnost provozu.

## DALŠÍ BEZPEČNOSTNÍ POKYNY PRO VŠECHNY PÍLY

### PŘÍČINY ZPĚTNÉHO RÁZU A SOUVISEJÍCÍ VAROVÁNÍ

- zpětný ráz je náhlá reakce na zachycení, zaseknutí nebo nevyrovnaný pilový kotouč, což způsobí, že se pila nekontrolovaně zvedne a vysune z obrobku směrem k obsluze;
- když dojde k zachycení nebo pevnému zaseknutí kotouče zavírající se řeznou spárou, kotouč se zastaví a reakce motoru způsobí, že se nářadí prudce vrátí zpět k obsluze;
- pokud se kotouč v řezu zkroutí nebo bude nevyvážený, zuby na zadním okraji kotouče se mohou zarýt do

horního povrchu dřeva, což způsobí, že kotouč vyleze ze zářezu a skočí zpět k obsluze.

Zpětný ráz je důsledkem nesprávného použití pily anebo nevhodného pracovního postupu či nevhodných podmínek a lze mu předějit přijetím následujících opatření:

- a) **Udržujte pevně uchopení oběma rukama na pile a umístěte paže tak, aby odolávaly zpětným silám. Umístěte své tělo po stranách kotouče, a ne v linii s kotoučem.** Zpětný ráz by mohl způsobit skok pily vzad, ale síly zpětného rázu mohou být ovládnuty operátorem, pokud jsou přijata příslušná opatření.
- b) **Když se kotouč zasekne, nebo když z jakéhokoli důvodu řez přerušíte, uvolněte spouštěcí tlačítko a držte pilu nehybně v materiálu, dokud se kotouč zcela nezastaví. Nikdy se nepokoušejte vyjmout pilu z obrobku a nevytahujte pilu směrem dozadu, když je kotouč v pohybu nebo může dojít ke zpětnému rázu.** Najděte příčinu a proveďte nápravná opatření k odstranění příčiny uvíznutí kotouče.
- c) **Pokud chcete znovu spustit pilu v obrobku, vycentrujte pilový kotouč v řezu tak, aby zuby pily nezabíraly do materiálu.** Pokud se pilový kotouč zasekne, může se při opětovném spuštění pily zvednout nebo způsobit zpětný ráz od obrobku.
- d) **Velké panely podepřete, abyste minimalizovali riziko skřípnutí a zpětného rázu.** Velké panely mají tendenci klesat pod vlastní vahou. Podpěry je třeba umístit pod panel na obou stranách, v blízkosti linie řezu a poblíž okraje panelu.
- e) **Nepoužívejte tupé nebo poškozené kotouče.** Nenabroušené nebo nesprávně nastavené kotouče vytvářejí úzký zářez, který způsobuje nadměrné tření, zaklínění listu a zpětný ráz.
- f) **Před prováděním řezu musí být zajišťovací páčky pro nastavení hloubky kotouče a úkosu nastaveny pevně a bezpečně.** Pokud se nastavení kotouče při řezání posune, může dojít k uvíznutí a zpětnému rázu.
- g) **Při řezání do stávajících zdí nebo jiných nepřehledných oblastí dbejte zvýšené opatrnosti.** Pronikající kotouč se může zařiznout do předmětů, které mohou způsobit zpětný ráz.

### FUNKCE SPODNÍHO KRYTU

- a) **Před každým použitím zkontrolujte, zda se spodní kryt správně zavírá. Nepoužívejte pilu, pokud se spodní kryt nepohybuje volně a okamžitě se nezavře. Nikdy neupínejte ani nepřivazujte spodní kryt do otevřené polohy.** Pokud dojde k náhodnému pádu pily, může dojít k ohnutí spodního krytu. Zvedněte spodní kryt zasouvací rukojetí a ujistěte se, že se volně pohybuje a nedotýká se kotouče ani jiné části, a to v žádném úhlu ani hloubce řezu.
- b) **Zkontrolujte funkci pružiny spodního krytu. Pokud kryt a pružina nepracují správně, je třeba je před použitím opravit.** Spodní kryt se může pohybovat pomalu kvůli poškozeným částem, gumovým usazeninám nebo nahromadění nečistot.
- c) **Spodní kryt lze ručně zasunout pouze pro řezání speciálních řezů, jako jsou „ponorné řезы“ a „složené řезы“.** Zvedněte spodní ochranný kryt zasouvací rukojetí a jakmile kotouč vstoupí do materiálu, je třeba spodní kryt uvolnit. U všech ostatních řezů by měl spodní kryt pracovat automaticky.
- d) **Před položením pily na ponk nebo na podlahu**

vždy dbejte na to, aby spodní kryt zakrýval kotouč. Nechráněný, dojíždějící kotouč způsobí, že se pila bude posouvat dozadu a rozřeže vše, co jí stojí v cestě. Je třeba mít na paměti, jak dlouho trvá, než se kotouč po uvolnění spínače zastaví.

## BĚHEM

- Tento nástroj nesmí používat osoby mladší 16 let.
- Nářadí není vhodné k řezání za vlhka.
- **Nepracujte s materiály obsahujícími azbest** (azbest je považován za karcinogenní).
- Prach z materiálů, jako jsou barvy obsahující olovo, některé druhy dřeva, minerály a kovy, může být škodlivý (kontakt s prachem nebo jeho vdechnutí může způsobit alergickou reakci a/nebo vyvolat respirační choroby u obsluhy nebo přihlížejících); **používejte protiprachovou masku a pracujte se zařízením na odsávání prachu, pokud je možné jej připojit.**
- Některé druhy prachu jsou klasifikovány jako karcinogenní (např. dubový a bukový prach), zejména ve spojení s přísadami pro úpravu dřeva; **používejte protiprachovou masku a při práci používejte odsávací zařízení, pokud je možné je připojit.**
- Dodržujte stanovená nařízení pro práci v prašném prostředí.
- Tuto pilu nepoužívejte v kombinaci se stolem.
- Před nastavením nebo výměnou příslušenství vždy vyjměte akumulátor.

## PŘÍSLUŠENSTVÍ

- Společnost SKIL zajistí bezvadnou funkci nářadí pouze tehdy, používáte-li původní značkové příslušenství.
- Používejte pouze příslušenství, jejichž dovolené otáčky jsou alespoň tak vysoké jako nejvyšší otáčky bez zatížení nástroje.
- Používejte pouze pilové kotouče, jež odpovídají charakteristickým údajům uvedeným v tomto návodu k obsluze a jsou zkušeny a označeny podle EN 847-1.
- Používejte pouze pilové kotouče o průměru 165 mm a s otvorem pro vřeten 16 mm.
- Nikdy nepoužívejte brusné/řezné kotouče s tímto nářadím.

## PŘED POUŽITÍM

- Vyvarujte se poškození, které mohou způsobit šrouby, hřebíky a další předměty ve vašem obrobku; odstraňte je, než začnete pracovat.
- Před zahájením řezání odstraňte všechny překážky na povrchu i pod řeznou dráhou.
- **Zajistěte obráběný díl** (obráběný díl uchycený pomocí upínacích zařízení nebo ve svěráku je mnohem bezpečnější než v ruce).
- **Použijte vhodné hledací přístroje k vyhledání skrytých přírodních vedení nebo přivzte místní dodavatelskou společnost** (kontakt s elektrickým vedením může vést k požáru a zasažení elektrickým proudem; poškození plynového vedení může vést k explozi; proniknutí do vodovodního potrubí může způsobit věcné škody nebo zasažení elektrickým proudem).

## BĚHEM POUŽITÍ

- Hladina hluku při práci může přesáhnout 85 dB(A); používejte ochranu sluchu.
- Nikdy nepoužívejte nářadí bez originálního ochranného systému.
- Nepokoušejte se řezat extrémně malé obrobky.
- S nářadím nepracujte nad hlavou.
- V případě atypického chování nebo cizích hluků nářadí ihned vypněte a vyjměte akumulátor.

## PO POUŽITÍ

- Po odložení nářadí vypněte motor a ujistěte se, že se všechny pohyblivé části zcela zastavily.
- Po vypnutí nářadí nikdy nepřibrzdujte pilový kotouč tlakem ze strany.

## AKUMULÁTOR

- **Dodaný akumulátor je případně částečně nabitý** (pro zajištění plné kapacity akumulátoru jej před prvním použitím elektrického nářadí zcela nabijte v nabíječce).
- **Používejte pouze následující akumulátory a nabíječky dodávané s tímto nástrojem**
  - Akumulátor SKIL: BR1\*31\*\*\*\*
  - Nabíječka SKIL: CR1\*31\*\*\*\*
- Poškozený akumulátor nepoužívejte; měl by být okamžitě vyměněn.
- Akumulátor nerozebírejte.
- Nevystavujte nástroj/akumulátor dešti.
- Povolená teplota prostředí (nářadí/nabíječka/akumulátor):
  - při nabíjení 4 až 40 °C
  - při provozu -20 až +50 °C
  - při skladování -20 až +50 °C

## VYSVĚTLENÍ SYMBOLŮ NA NÁŘADÍ

- ③ Před použitím si přečtěte návod k použití
- ④ Akumulátory při vhození do ohně explodují, proto je nikdy nevhazujte do otevřeného plamene
- ⑤ Nářadí/nabíječku/akumulátor ukládejte na vhodné, suché a zajištěné místo, v prostorách s teplotou maximálně 50 °C
- ⑥ Nevyhazujte elektrické nářadí a akumulátory do komunálního odpadu

## OBSLUHA

- Nabíjení baterie
  - ! přečtěte si bezpečnostní upozornění a pokyny, které byly dodány spolu s nabíječkou
- Vyjmutí/instalace akumulátoru ②
- Indikátor nabití akumulátoru ⑦
  - stiskněte tlačítko indikátoru akumulátoru AB, aby ukázalo aktuální úroveň nabití ⑦a
  - ! na nejnižší úrovni nabití začne kontrolka nabití po stisknutí tlačítka AB ⑦b blikat, akumulátor je vybitý
  - ! když po stisknutí tlačítka AB ⑦c začnou blikat 2 pole ukazatele, znamená to, že se akumulátor nachází mimo povolený rozsah pracovní teploty
- Stínová čára LED světla ⑧
  - Vaše nářadí je vybaveno LED světlem pro stínovou čáru umístěným pod horním krytem.
  - Tím je zajištěno dodatečné osvětlení pilového kotouče a povrchu obrobku.
  - LED světlo promítá stín pilového kotouče pro vedení nástroje podél požadované čáry řezu vyznačené na obrobku.
  - ! vždy nejprve proveďte zkoušku na očištěném kousku materiálu
  - Světlo LED se automaticky rozsvítí po mírném stisknutí spouštěcího spínače. Vypne se přibližně 10 sekund po uvolnění spouštěcího spínače.
  - ! LED světlo začne rychle blikat, když je nářadí a/nebo akumulátor přetížený nebo příliš horký a vnitřní senzory nářadí vypnou. Nechte nářadí chvíli odpočinout nebo nářadí a akumulátor umístěte zvlášť pod proud vzduchu, aby se

ochladili.

**! kontrolka LED bude blikat pomaleji, což signalizuje nízkou úroveň nabití akumulátoru.**

**Dobijte akumulátor.**

Čistící kolečko LED X zabudované v horním krytu je určeno k čištění světla LED. Když se světlo LED ztlumí v důsledku nahromaděných pilin, otočte čistícím kolečkem LED X v libovolném směru, abyste piliny odstranili a světlo LED se opět rozzářilo.

- Ochrana akumulátoru

Nářadí se najednou vypne nebo mu je zabráněno v zapnutí, když

- **je zátěž příliš vysoká** --> odstraňte zátěž a proveďte restart

- **teplota akumulátoru není v rozsahu přípustných provozních teplot - 20 až + 50 °C** --> 2 úrovně indikátoru akumulátoru začnou blikat po stisknutí tlačítka AB ⑦c; počkejte, dokud se akumulátor nevrátí do rozsahu přípustných provozních teplot

- **akumulátor je téměř vybitý (ochrana před přílišným vybitím)** --> při stisknutí tlačítka AB indikátor akumulátoru zobrazí nízkou úroveň baterie nebo blikající nízkou úroveň akumulátoru ⑦b; vyměňte akumulátor

**! po automatickém vypnutí nástroje netiskněte vypínač; mohlo by dojít k poškození akumulátoru**

- Montáž pilového kotouče AA ②

**! vyjměte akumulátor z nástroje**

- vezměte šestihřanný klíč a z uložistiště B

- stiskněte blokovací tlačítko vřetene C a přidržujte jej během demontování šroubu kotouče D otáčením šestihřanného klíče **PO SMĚRU HODINOVÝCH RUČÍČEK** (= stejným směrem, kterým ukazuje šipka na pilovém kotouči)

**! blokovací tlačítko vřetene C stlačte pouze tehdy, když je nářadí zcela v klidu**

- uvolněte blokovací tlačítko vřetene C

- odstraňte přírubu E

**! zajistěte, že povrchy přírub H jsou naprosto čisté a že přiléhají na pilový kotouč**

- otevřete spodní ochranný F pákou G a držte ji, zatímco namontujete pilový kotouč tak, že zuby pily a šipka natištěná na pilovém kotouči směřují stejným směrem jako šipka na spodním krytu

- uvolněte spodní ochranný kryt F

- nasadte přírubu E

- stiskněte tlačítko aretace vřetene C a držte jej, zatímco utahujete šroub D pilového kotouče šestihřanným klíčem a o 1/8 otáčky nadoraz (zajišťuje prokluzování pilového kotouče při nadměrném odporu, čímž se snižuje přetížení motoru a zpětný ráz pily).

- uvolněte blokovací tlačítko vřetene C

- Nastavení hloubky řezu (0-57 mm) ⑨

- uvolněte knoflík K

- zvedejte/spouštějte patku J, dokud se na stupnici nenastaví požadovaná hloubka řezu pomocí ukazatele hloubky řezu L.

- utáhněte knoflík K

- pro optimální kvalitu řezu by pilový kotouč neměl zasahovat více než jeden zub pod obrobek

- Nastavení úhlu řezu (0-45°) ⑩

- uvolněte knoflík M

- naklňte nářadí až do požadovaného úhlu řezu

vyznačeného na stupnici pomocí indikátoru N

- utáhněte knoflík M

**! v případě úhlového řezání nesouhlasí skutečná hloubka řezu s hloubkou řezu uvedenou na stupnici**

- Indikátor čáry řezu P ⑪

- pro přesné vedení nářadí po obrobku v požadovaném směru

- pro přímý řez 0° nebo zkosený řez 45° použijte příslušnou indikační čáru

**! pata by měla být plně přitlačena k obrobku**

**! šířka řezu je dána šířkou rozvedení zubů listu, nikoliv tloušťkou listu**

**! vždy proveďte nejdříve zkušební řez pro ověření skutečné linie řezu**

- Odsávání prachu ⑫

Přípevněte adaptér vysavače R k otvoru pro odsávání prachu Q pomocí šroubu s křížovou hlavou.

Při použití odsávání

- připojte hadici vysavače k adaptéru vysavače R

**! nikdy nedovolte, aby hadice vysavače zasahovala do spodního krytu F nebo do řezání.**

Prachový sáček

- namontujte prachový sáček AC \* NENÍ STANDARDNÍ SOUČÁSTÍ

- Použití nástroje

- namontujte akumulátor

- jednou rukou vždy pevně držte zadní rukojeť S a druhou rukou přední rukojeť T.

- umístěte nástroj předním koncem patky naplocho na obrobek

**! ujistěte se, že zuby pilového listu nejsou zaseknuty do obrobku**

- choďte-li nářadí zapnout, stiskněte nejdříve bezpečnostní vypínač W a poté potáhněte přepínač V

**! nářadí by neměl běžet na plný výkon před vniknutím do obrobku**

- pronikáním pilového kotouče do obrobku se automaticky otevírá spodní chránič F (použitím páky G můžete otevřít spodní chránič ručně - pouze pro speciální řezání, např. ponorné řezání)

**! na nástroj netlačte příliš (tlačte na něj zlehka a plynule, abyste zamezili přehřívání hrotů čepele)**

- po dokončení řezu vypněte nástroj uvolněním spouštěcího spínače V

**! před zvednutím nástroje z obrobku se ujistěte, že se kotouč zcela zastavil.**

## NÁVOD K POUŽITÍ

- Vždy směřujte dobrou stranou obrobku dolů, abyste zajistili minimální stěpení.
- Používejte pouze ostré pilové kotouče správného typu ⑬
- kvalita řezu se zlepšuje podle počtu zubů
- pilové kotouče z tvrdých kovů mají až 30krát delší životnost než běžné pilové kotouče
- Příčné/podélné řezy ⑭
- S paralelním vedením Z lze snadno provádět příčné nebo podélné řezy Y.
- zarovnejte vodítko s ukazatelem čáry řezu 0° P na patce.
- vložte paralelní vedení Y do drážek na obou stranách patky na požadovanou šířku a zajistěte knoflíkem Z.
- ! zajistěte, aby podélné vodítko nebránilo volnému**

- **pohybu spodního krytu a pilového kotouče.**
- Ponomé řezání <sup>15</sup>
  - nastavte požadovanou hloubku řezu
  - nakláníte nástroj dopředu tak, aby indikátor čáry řezu P byl zarovnan s požadovanou čarou řezu vyznačenou na řezaném předmětu
  - otevřete spodní kryt F pákou G
  - těsně před vniknutím kotouče do obrobku spusťte nářadí a pozvolně snižujte zadní část patky použitím přední hrany patky jako pantu
  - neustále pohybujte nářadím směrem dolů a vpřed
  - jakmile pilový kotouč materiál nařízne, můžete uvolnit páku G

**! nikdy neved'te nářadí ve zpátečním směru**

- Řezání velkých panelů <sup>16</sup>
  - podepřete panel v blízkosti řezu buď na podlaze, stole nebo ponku

**! nastavte hloubku řezu tak, aby umožňovala prořezání pouze panelu, nikoliv podložky**

- v případě, že paralelní vedení neumožňuje požadovanou šířku řezu, upněte nebo přibijte rovný kus dřeva k obrobku jako vodičko a použijte pravou stranu patky proti tomuto vodičku <sup>17</sup>

- Řezání s vodící lištou <sup>19</sup>

**\* NENÍ STANDARDNÍ SOUČÁSTÍ**

Použití vodící lišty umožňuje přesné a rovné řezy s úhlem 45° nebo 90°.

Před provedením prvního řezu vodící lištou je třeba přizpůsobit gumový okraj použité kotoučové pile.

- pro přímý řez pod úhlem 90° srovnejte stranu lišty AE s úhlem 90° (nebo stranu s úhlem 45° při řezání pod úhlem 45°) s požadovanou linií řezu vyznačenou na obrobku.
- pevně zajistěte vodící lištu AD na obrobku pomocí svorek vodící lišty AE <sup>18</sup> \*NENÍ STANDARDNÍ SOUČÁSTÍ
- nasad'te pilu na vodící lištu AD a ujistěte se, že pila může po liště volně klouzat, aniž by se kývala do stran.
- při nastavování hloubky řezu nezapomeňte zohlednit tloušťku vodící lišty AD.
- ved'te pilu rovnoměrně s pomalým posuvem přes konec vodící lišty AD.

- Další informace najdete na [www.skil.com](http://www.skil.com)

## ÚDRŽBA / SERVIS

- Tento stroj není určen pro profesionální použití.
- Udržujte nářadí v čistotě
- **! před čistěním vyjměte akumulátor z nástroje**
- Prostor kolem spodního krytu F <sup>2</sup> vždy udržujte v čistotě (odstraňte prach a třísky vyfoukáním stlačeným vzduchem nebo kartáčem).
- Pilové kotouče čistěte okamžitě po jejich použití (především od pryskyřice a lepidla).
- Pokud dojde i přes pečlivou výrobu a náročnou kontrolu k poruše nářadí, svěťte provedení opravy autorizovanému servisnímu středisku pro elektronářadí firmy SKIL.
  - zašlete nástroj nerozebraný spolu s potvrzením o nákupu do vaší prodejny nebo nejbližšího servisu značky SKIL (adresy a servisní schéma nástroje najdete na [www.skil.com](http://www.skil.com))
- Uvědomte si, že na poškození způsobené přetížením nebo nesprávným zacházením se nevztahuje záruka (záruční podmínky společnosti SKIL najdete na adrese

[www.skil.com](http://www.skil.com) nebo se obraťte na prodejce).

## ŽIVOTNÍ PROSTŘEDÍ

Pouze pro země EU

- **Elektrické nářadí, doplňky a balení nevyhazujte do komunálního odpadu**

- podle evropské směrnice 2012/19/ES o nakládání s použitými elektrickými a elektronickými zařízeními a odpovídajících ustanovení právních předpisů jednotlivých zemí se použítá elektrická nářadí, musí sbírat odděleně od ostatního odpadu a podrobit ekologicky šetrnému recyklování
- na nutnost příslušného nakládání s odpadem upozorňuje symbol <sup>6</sup>

- **! u vyřazených akumulátorů zakryjte kontakty izolační páskou, zabráníte tím zkratu**

## HLUČNOSTI/VIBRACE

- Při měření v souladu s normou EN 62841 je hladina akustického tlaku tohoto nářadí 94 dB(A) a hladina akustického výkonu 102 dB(A) (nepřesnost K = 3 dB) a vibrace < 2,5 m/s<sup>2</sup> (celkové hodnoty vibrací; nepřesnost K = 1,5 m/s<sup>2</sup>)
- Úroveň vibrací byla měřena v souladu se standardizovaným testem podle EN 62841; je možné ji použít ke srovnání jednoho přístroje s druhým a jako předběžné posouzení vystavování se vibracím při používání nástroje k uvedeným aplikacím
  - používání nářadí k jiným aplikacím nebo s jiným či špatně udržovaným příslušenstvím může zásadně **zvýšit** úroveň vystavení se vibracím
  - doba, kdy je nářadí vypnuté, nebo když běží, ale ve skutečnosti není používáno, může zásadně **snižit** úroveň vystavení se vibracím.

- **! chraňte se před následky vibrací tak, že budete dbát na údržbu přístroje a příslušenství, budete si udržovat teplé ruce a uspořádáte si své pracovní postupy**

TR

## Firçasız daire testere

3551

## GİRİŞ

- Bu alet, 45°'ye kadar açılı kesimlerin yanı sıra düz kesimlerle ağhaabın uzunlamasına ve enine kesimi için tasarlanmıştır
- Bu alet profesyonel kullanıma yönelik değildir
- Bu kullanım kılavuzunu okuyun ve saklayın <sup>3</sup>

## TEKNİK VERİLER <sup>1</sup>

## MAKİNE PARÇALARI <sup>2</sup>

- A Alyan anahtar
- B Alyan anahtar bölmesi
- C Mil kilitleme düğmesi
- D Civata
- E Flanş
- F Alt muhafaza
- G Alt muhafazayı açma kolu
- H Sikiştirme yüzeyi

- J Ayak plakası
  - K Kesme derinliği ayar topuzu
  - L Kesme derinliği göstergesi
  - M Kesme açısı ayar topuzu
  - N Kesme açısı göstergesi
  - P Kesim çizgisi göstergesi
  - Q Toz emme ağız
  - R Süpürge adaptörü
  - S Arka tutma kolu
  - T Ön tutma kolu
  - U Kılavuz rayı yuvası
  - V Tetik
  - W Emniyet anahtarı
  - X LED temizleme kadranı
  - Y Paralel kılavuz
  - Z Paralel kılavuz ayar topuzu
  - AA Testere bıçağı
  - AB AAKü seviyesi göstergesi
  - AC AToz torbası\*
  - AD AKılavuz rayı\*
  - AE AKılavuz ray mengenesi\*
- \* STANDART OLARAK DAHİL DEĞİLDİR

## GÜVENLİK

### MAKİNE İÇİN GENEL GÜVENLİK UYARILARI

**⚠ UYARI** Bu elektrikli alet ile birlikte verilen tüm güvenlik uyarılarını, talimatları, çizimleri ve teknik özellikleri okuyun. Aşağıdaki talimatların tamamına uyulmaması elektrik çarpması, yangın ve/veya ciddi yaralanma ile sonuçlanabilir.

**Tüm uyarı ve talimatları gelecekte başvuru amacıyla muhafaza edin.**

Uyarılarda geçen "elektrikli alet" terimi ile elektrik prizinden beslenen (kablolu) elektrikli alet veya şarjlı (kablesiz) elektrikli alet kastedilmektedir.

#### 1) ÇALIŞMA ALANI GÜVENLİĞİ

- a) **Çalışma alanını temiz tutun ve yeterli aydınlatma sağlayın.** Karışık veya karanlık alanlar kazalara yol açar.
- b) **Elektrikli aletleri yanıcı sıvı, gaz veya toz içeren patlayıcı ortamlarda çalıştırmayın.** Elektrikli aletten çıkan kıvılcımlar toz veya gazları tutuşturabilir.
- c) **Bir elektrikli aleti kullanırken çocukların ve etraftaki kişilerin aletten uzaktaki olduğundan emin olun.** Dikkatinizin dağılması kontrolü kaybetmenize neden olabilir.

#### 2) ELEKTRİK GÜVENLİĞİ

- a) **Elektrikli aletin fişi prize uygun olmalıdır.** Fiş üzerinde asla değişiklik yapmayın. **Topraklı (topraklamalı) elektrikli aletler için herhangi bir adaptör fişi kullanmayın.** Üzerinde değişiklik yapılmamış fişler ve uygun prizler elektrik çarpması riskini azaltır.
- b) **Boru, radyatör, fırınlı ocak ve buzdolabı gibi topraklanmış yüzeylerle temastan kaçının.** Topraklanmış yerlerle temas etmeniz halinde elektrik çarpması riski artar.
- c) **Elektrikli aletleri yağmura veya ıslak ortamlara maruz bırakmayın.** Elektrikli alet içine giren su, elektrik

çarpması riskini artırır.

- d) **Kabloyu hatalı kullanmayın.** Kabloyu elektrikli aleti taşımak, çekmek veya prizden çıkarmak için kullanmayın. Kabloyu sıcağın, yağdan, keskin kenarlardan veya hareketli parçalardan uzak tutun. Hasarlı veya birbirine dolaşmış kablolar elektrik çarpması riskini artırır.
  - e) **Bir elektrikli aleti açık havada kullanırken, uygun bir dış mekan uzatma kablosu kullanın.** Dış mekan için uygun bir kablunun kullanılması elektrik çarpması riskini azaltır.
  - f) **Elektrikli aletin nemli bir yerde çalıştırılması gerekliese kaçak akım rölesi (RCD) korumalı bir kaynak kullanın.** RCD (kaçak akım rölesi) kullanımı elektrik çarpması riskini azaltır.
- #### 3) KİŞİSEL GÜVENLİK
- a) **Elektrikli aletleri kullanırken daima dikkatli olun, yaptığınız işe yoğunlaşın ve sağduyulu davranın. Elektrikli aleti yorgunken ya da uyuşturucu, alkol ya da ilaç etkisi altındayken kullanmayın.** Elektrikli aletleri kullanırken bir anlık dikkatsizlik ciddi yaralanmalara yol açabilir.
  - b) **Kişisel koruyucu ekipman kullanın. Daima koruyucu gözlük takın.** Koşullara uygun toz maskesi, kaymaz emniyet ayakkabıları, kask veya işitme koruması gibi koruyucu ekipman kullanılması yaralanmaları azaltır.
  - c) **Yanışıklıkla çalıştırmaktan kaçının. Aletin güç kaynağı ve/veya akü ile bağlantısını yapmadan, kaldırmadan veya taşımadan önce açma/kapatma düğmesinin kapalı olduğundan emin olun.** Elektrikli aletleri, parmağınız açma/kapatma düğmesinin üzerindeyken taşımak veya alet açıkken fişi prize takmak kazalara davetiye çıkarır.
  - d) **Elektrikli alete takılı herhangi bir alyan veya anahtar varsa aleti çalıştırmadan önce bunları çıkarın.** Elektrikli aletin döner parçalarına takılı bir alyan veya anahtar yaralanmalara neden olabilir.
  - e) **Dengesiz bir duruşla çalışma yapmayın. Çalışma süresince ayaklarınızı sağlam basın ve dengeyi koruyun.** Bu sayede beklenmedik durumlarda elektrikli alet daha iyi kontrol edilebilir.
  - f) **Uygun bir şekilde giyinin. Bol giysiler giymeyin veya takı takmayın. Saçlarınızı ve elbiselerinizi hareketli parçalardan uzak tutun.** Bol giysiler, takılar veya uzun saçlar hareketli parçalara takılabilir.
  - g) **Toz emme ve toplama araçlarının bağlantısı için sağlanan cihazlar varsa bunların takılı olduğundan ve düzgün bir biçimde kullanıldığından emin olun.** Toz toplama araçlarının kullanımı tozdan kaynaklanabilecek tehlikeleri azaltabilir.
  - h) **Aletleri sık kullanarak edindiğiniz alışkanlık rahat olmanıza ve aletin güvenliğini ilkelermi göz ardı etmenize neden olmamalıdır.** Dikkatsiz bir hareket, bir saniyeden daha kısa bir sürede ağır yaralanmalara neden olabilir.
- #### 4) ELEKTRİKLİ ALET KULLANIMI VE BAKIMI
- a) **Elektrikli aleti zorlamayın. Yaptığınız işe uygun elektrikli aleti kullanın.** Doğru elektrikli alet, tasarımına uygun değerlerde kullanıldığında daha iyi ve daha güvenli çalışır.
  - b) **Açma/kapatma düğmesi çalışmıyorsa elektrikli aleti kullanmayın.** Açma kapatma düğmesi ile kontrol edilemeyen bir elektrikli alet tehlikelidir ve onarılması

- gerekir.
- c) **Herhangi bir ayar işlemi, aksesuar değişimi veya elektrikli aletlerin depolanması öncesinde fişi prizden çekin ve/veya çıkarılabiliyorsa aküyü elektrikli aletten çıkarın.** Bu tür önleyici güvenlik önlemleri, elektrikli aletin yanlışlıkla çalışması riskini azaltır.
- d) **Kullanılmayan elektrikli aletleri çocukların erişemeyeceği yerlerde saklayın ve elektrikli alet veya bu talimatlar hakkında bilgi sahibi olmayan kişilerin elektrikli aleti kullanmasına izin vermeyin.** Elektrikli aletler eğitimsiz kullanıcıların elinde tehlikelidir.
- e) **Elektrikli aletlere ve aksesuarlara bakım yapın.** Hareketli parçaların hizalanmasını veya bağlanmasının doğru yapıp yapılmadığını, parçalarda hasar olup olmadığını ve elektrikli aletin çalışmasını etkileyebilecek tüm diğer koşulları kontrol edin. Elektrikli alet hasarlı ise kullanmadan önce onarılmasını sağlayın. Kazaların çoğu, elektrikli alet bakımının yeterli şekilde yapılmamasından kaynaklanır.
- f) **Kesici aletleri keskin ve temiz tutun.** Keskin kesim kenarlarına sahip, bakımı düzgün yapılmış kesim aletleri daha az sorun çıkarır ve kontrolü kolaydır.
- g) **Elektrikli aleti, aksesuarlarını ve alet uçlarını vb. çalışma şartlarını ve yapılacak işi dikkate alarak bu talimatlara uygun şekilde kullanın.** Elektrikli aletin kullanım amacı dışındaki işlerde kullanılması tehlikeli durumlara neden olabilir.
- h) **Tutma kollarını ve kavrama yüzeylerini kuru, temiz, benzin ve yağdan uzak tutun.** Kaygan tutma kolları ve kavrama yüzeyleri, aletin beklenmeyen durumlarda güvenli bir şekilde tutulmasına ve kontrol edilmesine izin vermez.
- 5) **AKÜ İLE ÇALIŞAN ALETLERİNİN KULLANIMI VE BAKIMI**
- a) **Sadece üretici tarafından belirtilen şarj cihazı ile şarj edin.** Bir akü türü için uygun olan şarj cihazı, başka bir akü ile kullanıldığında yangın riski oluşturabilir.
- b) **Elektrikli aletleri sadece özel olarak üretilmiş akülerle kullanın.** Başka akü türlerinin kullanımı yaralanma ve yangın tehlikesi oluşturabilir.
- c) **Akünün kullanımında olmadığı durumlarda aküyü ataş, bozuk para, anahtar, çivi, vida veya akü kutupları arasında kısa devre yapabilecek diğer metal nesnelere uzak tutun.** Akü kutuplarının kısa devre yapılması yangın veya yanıklara neden olabilir.
- d) **Kötü şartlar altında aküden sıvı akışı olabilir; bu sıvı ile temas etmekten kaçının.** Yanlışlıkla temas edilirse etkilenen bölgeyi su ile yıkayın. Sıvı göze temas ederse ayrıca tıbbi yardım alın. Aküden akan sıvı tahriş veya yanıklara neden olabilir.
- e) **Hasarlı veya üzerinde değişiklik yapılmış bir aküyü veya aleti kullanmayın.** Hasarlı veya üzerinde değişiklik yapılmış aküler yangın, patlama veya yaralanma riskine neden olacak şekilde beklenmeyen davranışlar gösterebilir.
- f) **Aküyü veya aleti ateşe veya aşırı sıcaklıklara maruz bırakmayın.** Ateşe veya 130 °C'nin üzerindeki sıcaklıklara maruz kalması patlamaya neden olabilir.
- g) **Tüm şarj talimatlarına uygun ve aküyü veya aleti talimatlarda belirtilen sıcaklık aralığının dışındaki sıcaklıklarda şarj etmeyin.** Hatalı veya belirtilen sıcaklık

aralığının dışındaki sıcaklıklarda şarj etmek, aküye zarar verebilir ve yangın riskini artırır.

## 6) SERVİS

- a) **Elektrikli aletinizin bakımını, sadece orijinal yedek parça kullanan uzman bir tamirciye yaptırın.** Bu sayede elektrikli aletin emniyetinin korunmasını sağlanır.
- b) **Asla hasarlı akülere bakım-onarım yapmayın.** Akülerin bakımı sadece üretici veya yetkili servisler tarafından yapılmalıdır.

## FIRÇASIZ DAİRE TESTERELER İÇİN GÜVENLİK TALİMATLARI

### TÜM TESTERELER İÇİN GÜVENLİK TALİMATLARI

- a) **⚠ TEHLİKE: Ellerinizi kesim alanından ve bıçaktan uzak tutun.** İkinci elinizi yardımcı tutma yerinde veya motor mahfazasında tutun. Testereyi her iki elinizle de tutarsanız bıçak tarafından kesilemezler.
- b) **İş parçasının altına uzanmayın.** Muhafaza, iş parçasının altındaki bıçaktan sizi koruyamaz.
- c) **Kesme derinliğini iş parçasının kalınlığına göre ayarlayın.** Bıçak dişlerinin tam dışından daha azı iş parçasının altında görünmelidir.
- d) **Kesim sırasında iş parçasını asla elinizde veya bacaklarınızın arasında tutmayın.** İş parçasını sabit bir platformda sabitleyin. Vücudun maruz kalmasını, bıçak bağlantısını veya kontrol kaybını en aza indirmek için çalışmayı doğru bir şekilde desteklemek önemlidir.
- e) **Kesim aletinin görünmeyen kablolar ile temas edebileceği çalışma şartlarında elektrikli aleti izolasyonlu tutma yüzeylerinden tutun.** "Elektrikli" bir kabloya temas etmek, elektrikli aletin metal kısımlarında da "elektrikli" yapılabilir ve çalışan kişinin çarpmasına neden olabilir.
- f) **Yarma yaparken daima bir yarma koruması veya düz kenar kılavuzu kullanın.** Bu kesim doğruluğunu artırır ve bıçağın tutukluk yapma olasılığını azaltır.
- g) **Daima çark delikleri doğru boyutta ve şekilde (yuvarlak yerine baklava şekilli) olan bıçakları kullanın.** Testerenin montaj donanımıyla uyuşmayan bıçaklar, merkezden uzaklaşarak kontrol kaybına neden olur.
- h) **Asla hasarlı veya yanlış bıçak rondelaları veya civataları kullanmayın.** En iyi performans ve çalışma güvenliği için bıçak rondelaları ve civatalar testereniz için özel olarak tasarlanmıştır.

### TÜM TESTERELER İÇİN EK GÜVENLİK TALİMATLARI

#### GERİ TEPME NEDENLERİ VE İLGİLİ UYARILAR

- geri tepme, sıkışmış ya da yanlış hizalanmış testere bıçağının ani bir tepkimesi olup, kontrolsüz bir testerenin iş parçasını operatöre doğru yukarı ve dışarı kaldırmasına neden olur.
- bıçak, kesim kanalının kapanmasıyla sıkı bir şekilde sıkıştığı veya sıkıca tutulduğunda, bıçak tezgahları ve motor tepkimesi, üniteyi operatöre doğru hızla geri döndürür.
- bıçak bükülürse veya kesimin içinde yanlış hizalanmışsa bıçağın arka kenarındaki dişler ahşabın üst yüzeyine girebilir ve bıçağın kesim kanalından dışarı çıkmasına ve tekrar operatöre doğru sıçramasına neden olabilir.

Geri tepme, testerenin yanlış kullanılmasının ve/veya yanlış çalıştırma prosedürü veya koşullarının bir sonucudur ve aşağıdaki önlemlerin alınması ile önlenir.

a) **İki elinizi testereyi sıkıca kavrayın ve kollarınızı geri tepme kuvvetlerine dayanacak şekilde konumlandırın. Vücudunuzu bıçağın her iki tarafına yerleştirin, ancak bıçakla aynı hizaya getirmeyin.**

Geri tepme testerenin geriye doğru sıçramasına neden olabilir, ancak uygun önlemler alındığında geri tepme kuvvetleri operatör tarafından kontrol edilebilir.

b) **Bıçak tutukluk yaptığında veya herhangi bir sebeple kesme kesintiye uğradığında, tetiği bırakın ve testere bıçağı tamamen duruncaya kadar malzemede hareketsiz tutun. Testere bıçağı hareket halindeyken veya geri tepme meydana gelebilecekken asla testereyi iş parçasından çıkarmaya veya testereyi geriye doğru çekmeye çalışmayın.** Bıçağın tutukluk yapma nedenini giderme yollarını araştırın ve düzeltici önlemler alın.

c) **İş parçasındaki bir testereyi yeniden çalıştırırken testere bıçağının kesim kanalında ortalayarak testere dişlerinin malzemeye geçip geçmediğini kontrol edin.** Testere bıçağı tutukluk yaparsa testere yeniden çalıştırıldığında iş parçasından yukarı doğru veya geri tepebilir.

d) **Bıçak sıkışması ve geri tepme riskini en aza indirmek için büyük panelleri destekleyin.** Büyük paneller kendi ağırlıkları altında sarkma eğilimindedir. Destekler panelin her iki tarafında, kesim hattının yakınında ve panelin kenarına yakın bir yere yerleştirilmelidir.

e) **Körleşmiş veya hasarlı bıçaklar kullanmayın.** Keskin olmayan veya yanlış ayarlanmış bıçaklar, aşırı sürtünme, bıçak tutukluğu ve geri tepmeye neden olan dar kesim kanalları açarlar.

f) **Kesim yapmadan önce bıçak derinliği ve eğim ayarı kilitleme kolları sıkı ve sabit olmalıdır.** Bıçak ayarı kesme sırasında kayırsa tutukluk ve geri tepmeye neden olabilir.

g) **Mevcut duvarlara veya diğer kör alanlara doğru kesim yaparken çok dikkatli olun.** Çıkıntılı bıçak, geri tepmeye neden olabilecek nesnelere kesebilir.

#### ALT MUHAFAZA İŞLEVI

a) **Her kullanımdan önce alt muhafazayı uygun şekilde kapatmak için kontrol edin.** Alt muhafaza serbestçe hareket etmiyorsa ve aniden kapanıyorsa testereyi çalıştırmayın. Alt muhafazayı asla açık konuma kenetlemeyin veya bağlamayın. Testere yanlışlıkla düşerse alt muhafaza bükülebilir. Alt muhafazayı geri çekme koluyla kaldırın ve serbestçe hareket ettiğinden ve tüm açılarda ve kesme derinliklerinde bıçağa veya herhangi bir parçaya temas etmediğinden emin olun.

b) **Alt muhafaza yayının çalışmasını kontrol edin.** Muhafaza ve yay düzgün çalışmıyorsa kullanımdan önce bakım yapılmalıdır. Alt muhafaza, hasarlı parçalar, yapışkan tabakalar veya artık birikintileri nedeniyle yavaş çalışabilir.

c) **Alt muhafaza, sadece "daldırmalı kesim" ve "bileşik kesim" gibi özel kesimler için manuel olarak geri çekilebilir.** Tutma kolunu geri çekerek alt muhafazayı kaldırın, bıçak malzemeye girer girmez alt muhafaza serbest kalmalıdır. Diğer tüm testere işleri için alt muhafaza otomatik olarak çalışmalıdır.

d) **Testereyi yere veya tezgaha koymadan önce her zaman alt muhafazanın bıçağı kapladığından emin olun.** Korumasız ve yana yatan bir bıçak, testerenin geriye doğru gitmesine ve ölüne çıkan her şeyi kesmesine neden olur. Anahtar serbest bırakıldıktan sonra bıçağın durması için belli bir süre geçmesi gerektiğini unutmayın.

#### GENEL

- Bu alet 16 yaşın altındaki kişiler tarafından kullanılmamalıdır.
- Bu alet ıslak kesim için uygun değildir.
- **Asbest içeren malzemelerle çalışmayın** (asbest kanserojen bir madde olarak kabul edilir)
- Kurşun içeren boya, bazı ahşap türleri, mineral ve metal gibi malzemelerden çıkan toz zararlı olabilir (tozla temasta bulunulması veya solunması operatörde veya yakında bulunan kişilerde alerjik reaksiyonlara ve/veya solunum yolu hastalıklarına neden olabilir); **toz maskesi takın ve bağlanabiliyorsa bir toz çekme cihazıyla çalışın.**
- Bazı toz tipleri (örneğin meşe ve kayın ağacı tozu), özellikle ahşap işleme katkı maddeleriyle birlikte kansinojenik olarak sınıflandırılır; **toz maskesi takın ve bağlanabiliyorsa bir toz çekme cihazıyla çalışın.**
- Çalışmak istediğiniz malzemeler için tozla ilgili ulusal gereksinimlere uyun.
- Bu testereyi bir testere tezgahı ile birlikte kullanmayın.
- Herhangi bir ayarlama yapmadan veya aksesuarları değiştirmeden önce aküyü aletten çıkarın.

#### AKSESUARLAR

- SKIL sadece orijinal aksesuarlar kullanıldığında aletin kusursuz çalışmasını garanti eder.
- Bu aletle kullanacağınız aksesuar, devir sayısı en azından aletin boşta en yüksek devir sayısı kadar olmalıdır.
- Sadece bu kullanım kılavuzunda belirtilen teknik özellik verilerine uygun, EN 847-1'e göre test edilmiş ve buna uygun olarak işaretlenmiş testere bıçaklarını kullanın.
- Yalnızca 165 mm çapına ve 16 mm mil deliğine sahip testere bıçakları kullanın.
- Bu aletle asla taşlama/kesme diskleri kullanmayın.

#### KULLANMADAN ÖNCE

- İş parçasının vida, çivi ve benzeri malzeme tarafından hasar görmemesi için dikkatli olun; çalışmaya başlamadan önce bunları çıkarın.
- Kesmeye başlamadan önce kesme yolunun üstündeki ve altındaki tüm engelleri kaldırın.
- **Çalıştığınız parçayı sabitleyin** (kısaçaklarla ya da mengeneye sabitlenmiş bir iş parçası elle tutulan iş parçasından daha güvenlidir).
- **Görünmeyen elektrik kablolarını belirlemek için uygun dedektörler kullanın veya yerel elektrik şirketinden yardım isteyin** (elektrik kablolarıyla temas, yangın çıkmasına veya elektrik çarpmalarına neden olabilir; bir gaz borusu hasar görürse patlama tehlikesi olur; bir su borusunun delinmesi halinde maddi hasarlar meydana gelebilir veya elektrik çarpması tehlikesi ortaya çıkabilir).

#### KULLANIM SIRASINDA

- Çalışırken gürlüğü seviyesi 85 dB (A) değerini aşabilir; kulak koruması takın.
- Aleti asla orijinal koruma muhafazası sistemi olmadan kullanmayın
- Çok küçük iş parçalarını kesmeye çalışmayın.
- Alet ile başınızın üzerinde bir yükseklikte çalışmayın.
- Sıkışma veya elektrik veya mekanik arıza durumunda,



aleti derhal kapatın ve aküyü çıkarın.

## KULLANIMDAN SONRA

- Aleti bir yere koyduğunuzda önce motoru kapatın ve tüm hareketli parçaların tamamen durduğundan emin olun.
- Daire testerenizi kapattıktan sonra, testere bıçağının dönüşünü, üzerine uygulanan yanal bir kuvvetle asla durdurmayın.

## AKÜLER

- **Ürünle birlikte verilen akü (varsa) kısmen şarj edilmiştir** (akünün tam kapasiteyle çalışmasını sağlamak için elektrikli aletinizi ilk kez kullanmadan önce aküyü, akü şarj cihazında tamamen şarj edin)
- **Bu aletle sadece aşağıdaki aküleri ve şarj cihazlarını kullanın**
  - SKIL akü: BR1\*31\*\*\*\*
  - SKIL şarj cihazı: CR1\*31\*\*\*\*
- Hasarlı aküleri kullanmayın ve hemen yenileyin.
- Aküleri parçalarına ayırmayın.
- Aleti/aküyü yağmura maruz bırakmayın.
- İzin verilen ortam sıcaklığı (alet/şarj cihazı/akü):
  - şarj olurken 4 ile 40 °C arasında
  - çalışırken -20 ile +50 °C arasında
  - depolanırken -20 ile +50 °C arasında

## ALET ÜZERİNDEKİ SİMGELERİN AÇIKLAMASI

- ③ Kullanmadan önce kullanım kılavuzunu okuyun
- ④ Ateşe atılan aküler patlayabilir, bu yüzden hiçbir nedenle bir aküyü yakmayın
- ⑤ Aleti, şarj cihazını ve aküyü sıcaklığın 50 °C'yi aşmadığı yerlerde depolayın
- ⑥ Elektrikli aletleri ve aküleri evsel atık malzemelerle birlikte çöpe atmayın

## KULLANIM

- Aküyü şarj etme
  - ! **şarj cihazıyla birlikte verilen güvenlik uyarılarını ve talimatları okuyun**
- Akünün çıkarılması/takılması ②
- Akü seviyesi göstergesi ⑦
  - mevcut akü seviyesini (⑦a) görmek için akü seviyesi düğmesine (AB) basın
- ! **düğmeye (AB) bastıktan sonra akü göstergesinin en alt seviyesi (⑦b) yanıp sönmeye başladığında akü boşalmıştır**
- ! **düğmeye (AB) bastıktan sonra akü göstergesinin 2 seviyesi (⑦c) yanıp sönmeye başladığında akü izin verilen çalışma sıcaklığı aralığında değildir**
- Gölge çizgisi LED ışığı ⑧
  - Aletinizi, üst muhafazanın altında bulunan bir gölge çizgisi LED ışığı ile donatılmıştır.
  - Bu ışık, testere bıçağı ve iş parçasının yüzeyi üzerinde ek aydınlatma sağlar.
  - LED ışık, aleti iş parçası üzerinde işaretlenen istenen kesme çizgisi boyunca yönlendirmek için testere bıçağının gölgesini yansıtır.
  - ! **başlangıçta daima bir deneme parçası üzerinde deneme yapın**
  - Tetiğe hafifçe basınca LED ışık otomatik olarak açılır. Tetik bırakıldıktan sonra yaklaşık 10 saniye sonra kapanır.
  - ! **LED ışık, alet ve/veya akü takımı aşırı yüklenildiğinde ya da çok sıcak olduğunda hızlica yanıp söner ve dahili sensörler aleti kapatır. Aleti bir süre dinlendirin veya aleti ve aküyü soğumaları için ayrı ayrı hava akımının altına yerleştirin.**

**! akü takımının şarj seviyesinin düşük olduğunu belirtmek için LED ışık daha yavaş yanıp sönecektir. Akü takımını yeniden şarj edin.**

Üst muhafazanın içine yerleştirilmiş LED temizleme kadranı (X), LED ışığını temizlemek için tasarlanmıştır. Üzerinde biriken talaş nedeniyle LED ışığı loşlaştığında, LED temizleme kadrantını (X) herhangi bir yöne çevirerek talaşı temizleyin ve LED ışığını tekrar parlak olmasını sağlayın.

- Akü koruması
  - Aşağıdaki durumlarda alet aniden kapanır veya tekrar çalıştırılmaz
    - **yük çok fazla olduğunda** --> yükü kaldırın ve yeniden çalıştırın
    - **akü sıcaklığı, -20 ile +50 °C arasındaki izin verilen çalışma sıcaklığı aralığında olmadığına** --> AB düğmesine bastığınızda akü seviyesi göstergesinin 2 seviyesi yanıp sönmeye başlar (⑦c); akü sıcaklığı izin verilen çalışma sıcaklığı aralığına dönene kadar bekleyin
    - **akü bitmeye yakinken (aşırı boşalmaya karşı korumak için)** --> AB düğmesine bastığınızda akü seviyesi göstergesi tarafından düşük akü seviyesi veya yanıp sönen düşük akü seviyesi (⑦b) gösterilir
- ! **alet otomatik olarak kapandıktan sonra açma/kapatma düğmesine basmayın; akü hasar görebilir**
- Testere bıçağı (AA) montajı ②
  - ! **aküyü aletten çıkarın**
    - alyan anahtarını (A) saklama yerinden (B) alın
    - mil kilitleme düğmesine (C) basılı tutup, cıvataı (D) alyan anahtarını **SAAT YÖNÜNDE** çevirerek açın (= testere bıçağına basılı okla aynı yönde)
  - ! **mil kilitleme düğmesine (C) sadece alet tamamen hareketsizken basın**
    - mil kilitleme düğmesini (C) bırakın
    - flanş (E) çıkarın
  - ! **flanşların sıkıştırma yüzeylerinin (H) tamamen temiz olmasına ve bıçağa oturmasına dikkat edin**
    - alt muhafazayı açma kolunu (G) kullanarak alt muhafazayı (F) açık tutup, testere dişleri ile testere bıçağının monte edin; testere bıçağına basılı ok, alt muhafazadaki okla aynı yönü göstermelidir
    - alt muhafazayı (F) bırakın
    - flanş (E) monte edin
    - mil kilitleme düğmesine (C) basılı tutup, cıvataı (D) alyan anahtarla (A) sıkıştırırken parmağınızı 1/8 tur çevirin (aşırı dirençle karşılaşıldığında testere bıçağının kaymasını sağlayarak motorun aşırı yüklenmesini ve testere geri tepmesini azaltır)
    - mil kilitleme düğmesini (C) bırakın
- Kesme derinliğini ayarlamaya (0-57 mm) ⑨
  - topuzu (K) gevşetin
  - kesme derinliği göstergesini (L) kullanarak ölçekte istenen kesme derinliği ayarlanana kadar ayak plakasını (K) kaldırın/indirin
  - topuzu (K) sıkın
  - kesme kalitesinin optimal olarak sağlanabilmesi için testere bıçağının iş parçasının altından bir dişten fazla çıkmaması gerekir
- Kesme açısını ayarlamaya (0-45°) ⑩
  - topuzu (M) gevşetin
  - kesme açısı göstergesini (N) kullanarak ölçekte istenen kesme açısı ayarlanana kadar aleti eğin

- topuzu (M) sıkın

**! gönyeli kesme sırasında derinlik çizelgesinde görülen kesme derinliği gerçek kesme derinliği değildir**

- Kesim çizgisi göstergesi (P) ①
  - iş parçası üzerinde işaretlenmiş istenen kesme çizgisi boyunca aleti yönlendirmek için kullanılır
  - 0° düz kesim veya 45° eğimli kesim için ilgili gösterge çizgisini kullanın
- ! ayağın büyük bölümü, iş parçasının yaslanmış bölümü üzerinde olmalıdır**
- ! kesme genişliği, testere bıçağı kalınlığı ile değil, testere bıçağı dişlerinin genişliği ile belirlenir**
- ! gerçek kesme çizgisini kontrol etmek için daima bir deneme kesmesi yapın**
- Toz emme ⑫
  - Elektrikli süpürge adaptörünü (R) yıldız başlı vidayla toz emme ağzına (Q) takın
  - Elektrikli süpürgeyi kullanmak için
    - elektrikli süpürge hortumunu, elektrikli süpürge adaptörüne (R) bağlayın
  - ! elektrikli süpürge hortumunun hiçbir zaman alt muhafazaya (F) veya kesme işlemine müdahale etmesine izin vermeyin**
  - Toz torbası
    - toz torbasını (AC) takın \*STANDART OLARAK DAHİL DEĞİLDİR
- Aletin çalıştırma
  - aküyü takın
  - her zaman bir elinizle arka kolu (S) sıkıca tutun ve diğer elinizle ön kolu (T) sıkıca tutun
  - aleti, ayağın ön ucu düz olacak şekilde iş parçasının üzerine yerleştirin
  - ! testere bıçağı dişlerinin iş parçasını saplı olmamasına dikkat edin**
  - ilk önce emniyet anahtarına (W) basıp ardından tetiği (V) çekerek aleti çalıştırın
  - ! testere, testere bıçağı iş parçası içine girmeden önce maksimum hıza erişmelidir**
  - testere bıçağı iş parçasına girince alt muhafaza (F) otomatik olarak açılır (sadece daldırılmalı kesimler gibi özel kesimler için kolu (G) kullanarak alt muhafazayı manuel olarak açın)
  - ! aleti gereğinden fazla zorlamayın (bıçak uçlarının aşırı ısınmasını hafif ve sürekli basınç uygulayın)**
  - kesme işlemi tamamlandıktan sonra tetiği (V) bırakarak aleti kapatın
  - ! aleti iş parçasından çıkarmadan önce testere bıçağının tamamen durmasını bekleyin**

## UYGULAMA ÖNERİLERİ

- Minimum parçalanmayı sağlamak için her zaman iş parçasının iyi tarafını aşağı çevirin.
- Sadece doğru tipte keskin testere bıçakları kullanın ⑬
  - diş sayısı arttıkça kesim kalitesi artar
  - karbür uçlu bıçaklar sıradan bıçaklardan 30 kata kadar daha uzun süre keskin kalır
- Çapraz kesimler/yarmalı kesimler ⑭
  - Çapraz kesimler veya yarmalı kesimler, bir paralel kılavuz (Y) ile kolayca yapılabilir.
  - kılavuzu ayaktaki 0° kesim çizgisi göstergesi (P) ile hizalayın
  - ayağın her iki tarafındaki yuvalardan istenen genişliğe

kadar bir paralel kılavuz (Y) yerleştirin ve topuz (Z) ile sabitleyin

**! yarma sipirinin alt koruyucunun ve testere bıçağının serbest hareketini engellemediğinden emin olun**

- Dalarak kesme ⑮
  - istenen kesim derinliğini ayarlayın
  - iş parçası üzerinde işaretlenmiş istenen kesim çizgisi ile hizalanmış kesim çizgisi göstergesini (P) kullanarak aleti öne doğru eğin
  - kolu (G) kullanarak alt muhafazayı (F) açın
  - bıçak iş parçasına girmeden hemen önce, aleti çalıştırın ve ayağın ön ucunu dayanma noktası olarak kullanarak aletin arka ucunu kademeli olarak indirin
  - aleti kademeli olarak aşağı ve ileriye doğru hareket ettirin
  - bıçak malzemeye girer girmez kolu (G) bırakın
- ! aleti prensip olarak geri sürmeyin**
- Büyük panelleri kesme ⑯
  - paneli kesime yakın yerde, masada veya tezgahta destekleyin
  - ! kesme derinliğini, levha tam kesilecek ve zemin kesilmeyecek ölçüde ayarlayın**
  - paralel kılavuz istenen kesim genişliğine izin vermiyorsa, düz tahta parçasını iş parçasına kılavuz olarak kenetleyin veya çakın ve ayağın sağ tarafını bu kılavuza karşı kullanın ⑰
- Kılavuz rayı ile kesme ⑱
  - \*STANDART OLARAK DAHİL DEĞİLDİR
  - Kılavuz ray kullanımı, 45° veya 90° eğimli kesimlerde hassas, düz, doğru kesimler sağlar.
  - Kılavuz ray ile ilk kesimi yapmadan önce kauçuk dudak kullanılan daire testereye uyarlanmalıdır.
  - düz 90° kesim için, rayın (AD) 90° eğimli tarafını (veya 45° eğimli kesim yaparken 45° eğimli tarafını) iş parçası üzerinde işaretlenmiş istenen kesim çizgisiyle hizalayın.
  - kılavuz rayı (AD) iş parçası üzerine kılavuz rayı mengersini (AE) kullanarak sıkıca sabitleyin ⑲
  - \*STANDART OLARAK DAHİL DEĞİLDİR
  - testereyi kılavuz rayı (AD) üzerine kaydırın, testerenin ray üzerinde yanlara doğru sallanmadan serbestçe kayabildiğinden emin olun.
  - kesme derinliğini ayarlarken kılavuz rayın (AD) kalın olmasını unutmayın
  - testereyi kılavuz rayın (AD) ucundan yavaş bir besleme hızıyla düzgün bir şekilde yönlendirin.
- Daha fazla bilgi için bkz. [www.skil.com](http://www.skil.com)

## BAKIM / SERVİS

- Bu makine profesyonel kullanıma yönelik değildir.
- Aleti her zaman temiz tutun.
- ! temizlikten önce aküyü aletten çıkarın**
- Alt muhafazanın (F) ② çevresini her zaman temiz tutun (basınçlı hava veya fırça yardımıyla tozu ve talaşı temizleyin).
- Testere bıçağını kullanımdan hemen sonra temizleyin (özellikle reçine ve yapıştırıcıdan).
- Dikkatli biçimde yürütülen üretim ve test prosedürlerine rağmen alet arızalanırsa onarım işlemleri SKIL elektrikli aletlerine yönelik bir satış sonrası servis merkezinde yapılmalıdır.
- aleti parçalarına ayrılmamış olarak satın alma belgesiyle birlikte satıcınıza veya en yakın SKIL servisine gönderin

(servis adresleri ve aletin servis çizelgesi [www.skil.com](http://www.skil.com) adresinde listelenmiştir)

- Aşırı yüklenme ve yanlış kullanımın aleti garanti kapsamından çıkaracağını unutmayın (SKIL garanti koşulları için [www.skil.com](http://www.skil.com) adresine bakın veya satıcınıza başvurun).

## ÇEVRE

Yalnızca AB ülkeleri için

- **Elektrikli aletleri, aksesuarları ve ambalajları evsel atık malzemelerle birlikte atmayın**
  - atık elektrikli ve elektronik eşyalarla ilgili 2012/19/EC sayılı Avrupa Birliği Direktifi ve bu direktifin uyarlandığı ulusal yasalar gereğince kullanım ömrünün sonuna ulaşan elektrikli aletler ayrı olarak toplanmalı ve çevreye uyumlu bir geri dönüşüm tesisine gönderilmelidir
  - © sembolü, bertaraf etme ihtiyacı meydana geldiğinde, bu durumu size hatırlatır
- ! **aküyü bertaraf etmeden önce kısa devre oluşmasını önlemek için akü kutuplarını kalın bantla sarın**

## GÜRÜLTÜ / TİTREŞİM

- EN 62841 standardına uygun olarak yapılan ölçümlere göre bu aletin ses basıncı seviyesi: 94 dB(A), ses gücü seviyesi 102 dB(A) (belirsizlik K = 3 dB) ve titreşim <math>2,5 \text{ m/sn.}^2</math> (triaks vektör toplamı; belirsizlik K = 1,5  $\text{m/sn.}^2$ )
- Titreşim emisyonu seviyesi EN 62841 standardında belirtilen standart teste göre ölçülmüştür; bu seviye, bir aleti bir başkasıyla karşılaştırmak amacıyla ve aletin söz konusu uygulamalarda kullanılması sırasında titreşime maruz kalma derecesinin ön değerlendirmesi olarak kullanılabilir
  - aletin farklı uygulamalar için veya farklı ya da bakımı yetersiz yapılmış aksesuarlarla kullanılması, maruz kalma seviyesini belirgin biçimde artırabilir.
  - aletin kapalı olduğu veya çalıştığı ancak gerçek anlamda iş yapmadığı zamanlarda, maruz kalma seviyesi belirgin biçimde azalabilir.
- ! **aletin ve aksesuarlarının bakımını yaparak, ellerinizi sıcak tutarak ve çalışma şeklinizi organize ederek kendinizi titreşimin etkilerinden koruyun**

PL

## Bezsıcotkowa pilarka 3551 tarczowa

### WPROWADZANIE

- Narzędzie jest przeznaczone do pitowania drewna wzdłużnie i poprzecznie, prostopadłe do przecinanej powierzchni oraz pod kątem do 45°.
- Narzędzie nie jest przeznaczone do zastosowań profesjonalnych
- Prosimy przeczytać i zachować niniejszą instrukcję. ③

### DANE TECHNICZNE ①

### ELEMENTY MASZYNY ②

A Klucz imbusowy

- B Schowek na klucz imbusowy
  - C Przycisk blokady wrzeczona
  - D Śruba
  - E Kolnierz
  - F Osłona dolna
  - G Dźwignia otwierania osłony dolnej
  - H Powierzchnia zaciskowa
  - J Stopa
  - K Pokrętko do ustawiania głębokości cięcia
  - L Wskaźnik głębokości cięcia
  - M Pokrętko regulacji kąta cięcia
  - N Wskaźnik kąta cięcia
  - P Wskaźnik linii cięcia
  - Q Port do odsysania pyłu
  - R Adapter do odkurzacza
  - S Uchwyt tylny
  - T Uchwyt przedni
  - U Szczelina szyny prowadzącej
  - V Włącznik spustowy
  - W Wylącznik bezpieczeństwa
  - X Pokrętko czyszczenia LED
  - Y Prowadnica równoległa
  - Z Pokrętko regulacji prowadnicy równoległej
  - AA Tarcza tnąca
  - AB AWskaźnik poziomu naładowania akumulatora
  - AC AWorek na pył\*
  - AD ASzyna prowadząca\*
  - AE AZacisk szyny prowadzącej\*
- \* ELEMENT NIEDOSTĘPNY W STANDARDZIE

## BEZPIECZEŃSTWO

### OGÓLNE WSKAZÓWKI DOTYCZĄCE BEZPIECZEŃSTWA PRACY Z MASZYNĄ

**⚠ OSTRZEŻENIE** Prosimy przeczytać wszystkie ostrzeżenia i instrukcje oraz przestudiować specyfikację i ilustracje dostarczone wraz z elektronarzędziem. Niestosowanie się do wszystkich podanych niżej instrukcji może doprowadzić do porażenia prądem, pożaru i/lub poważnych obrażeń.

**Wszystkie ostrzeżenia i instrukcje należy zachować na przyszłość.**

Termin „elektonarzędzie” występujący w ostrzeżeniach dotyczy narzędzia elektrycznego o zasilaniu sieciowym (przewodowego) lub akumulatorowym (beprzewodowego).

### 1) BEZPIECZEŃSTWO W MIEJSCU PRACY

- a) **W miejscu pracy należy dbać o czystość i dobre oświetlenie** Bałagan i złe oświetlenie sprzyjają wypadkom.
- b) **Nie należy używać elektronarzędzi w miejscach zagrożonych wybuchem, np.** w obecności łatwopalnych cieczy, gazów lub pyłu. Elektronarzędzia wytwarzają iskry, które mogą zapalić opary lub pył.
- c) **W czasie pracy elektronarzędzie należy trzymać z dala od dzieci i osób postronnych.** Chwila nieuwagi może spowodować utratę kontroli nad urządzeniem.

### 2) BEZPIECZEŃSTWO ELEKTRYCZNE

- a) **Wtyczki elektronarzędzi muszą pasować do gniazdek. Nigdy w jakikolwiek sposób nie wolno**

- przerabiać wtyczki.** Do elektronarzędzi wymagających uziemienia nie należy używać przejściówek. Oryginalne wtyczki i pasujące do nich gniazdka zmniejszają ryzyko porażenia prądem.
- b) **Należy unikać dotykania ciałem powierzchni uziemionych, takich jak np. rury, kaloryfery, kuchenki i lodówki.** Uziemienie ciała zwiększa ryzyko porażenia prądem.
  - c) **Elektronarzędzia należy chronić przed deszczem i wilgocią.** Woda dostająca się do wnętrza elektronarzędzia zwiększa ryzyko porażenia prądem.
  - d) **Nie należy nadwyręzać przewodu. Nigdy nie należy używać przewodu do noszenia lub ciągnięcia elektronarzędzia; nie należy chwycić za przewód, aby wyjąć wtyczkę z kontaktu.** Przewód należy chronić przed gorącym, ropą, olejem, ostrymi krawędziami i poruszającymi się częściami. Zaplątane lub uszkodzone przewody zwiększają ryzyko porażenia prądem.
  - e) **Podczas używania elektronarzędzia na dworze należy stosować przedłużacz nadający się do używania na dworze.** Używanie przewodu przeznaczonego do stosowania na dworze zmniejsza ryzyko porażenia prądem.
  - f) **Jeżeli użycie elektronarzędzia w miejscu o dużej wilgotności jest nieuniknione, należy stosować zasilanie zabezpieczone wyłącznikiem różnicowoprądowym.** Używanie wyłącznika różnicowoprądowego zmniejsza ryzyko porażenia prądem.
- 3) BEZPIECZEŃSTWO OSOBISTE**
- a) **Podczas pracy narzędziem należy zachowywać czujność, patrzeć, co się robi i kierować się zdrowym rozsądkiem. Nie należy używać elektronarzędzia, gdy użytkownik jest zmęczony, albo pod wpływem narkotyków, alkoholu lub leków.** Chwila nieuwagi w czasie posługiwania się elektronarzędziami może spowodować poważne obrażenia.
  - b) **Należy używać środków ochrony osobistej. Należy zawsze nosić okulary ochronne.** Stosowanie w odpowiednich warunkach sprzętu ochronnego takiego jak np. maska przeciwpyłowa, obuwie ochronne z podeszwami antypoślizgowymi, kask lub ochronniki słuchu zmniejszy ewentualne obrażenia.
  - c) **Nie należy dopuszczać do przypadkowego włączenia. Należy pilnować, aby przed podłączeniem narzędzia do zasilania i/lub baterii akumulatorowej oraz przed podniesieniem i przenoszeniem przełącznik był ustawiony w pozycji „wyłączone”.** Przenoszenie elektronarzędzia z palcem na wyłączniku lub podłączanie do prądu elektronarzędzia z włączonym przełącznikiem może prowadzić do wypadków.
  - d) **Przed włączeniem elektronarzędzia należy usunąć wszystkie klucze regulacyjne i inne narzędzia.** Klucz zaczepiony o obracającą się część elektronarzędzia może spowodować obrażenia.
  - e) **Nie należy sięgać za daleko. Należy zawsze dbać o utrzymanie równowagi i pewne podparcie nóg.** W nieprzewidzianych sytuacjach zapewnia to lepszą kontrolę nad elektronarzędziem.
  - f) **Należy nosić odpowiednią odzież. Nie powinno się nosić luźnych ubrań ani biżuterii. Włosy i odzież należy trzymać w bezpiecznej odległości od poruszających się części.** Luźne ubrania, biżuteria lub długie włosy mogą zaczepić się o poruszające się części.
- g) Jeżeli urządzenie jest przystosowane do podłączenia do odsysacza pyłu i urządzenia zbierającego, należy dopilnować, aby systemy te były podłączone i właściwie stosowane.** Używanie systemów służących do pochłaniania pyłu może zmniejszyć zagrożenia związane z pyłem.
- h) Nie wolno dopuścić do tego, aby poczucie znajomości narzędzia wynikające z jego częstego używania doprowadziło do lekceważenia i ignorowania zasad bezpieczeństwa.** Jedno lekkomyślne działanie może w ułamku sekundy doprowadzić do ciężkich urazów.
- 4) UŻYWANIE I KONSERWOWANIE ELEKTRONARZĘDZI**
- a) **Elektronarzędzia nie należy forsować. Należy używać narzędzia dostosowanego do wykonywanej pracy.** Odpowiednie narzędzie elektryczne wykona pracę lepiej i bezpieczniej, gdy wytworzi mu się pracować z prędkościami/obrotami do jakich zostało zaprojektowane.
  - b) **Nie należy używać elektronarzędzia, jeżeli przełącznik zasilania nie włącza go lub nie wyłącza.** Elektronarzędzie, którego nie da się kontrolować przełącznikiem, jest potencjalnie niebezpieczne i wymaga naprawy.
  - c) **Przed przystąpieniem do regulacji elektronarzędzia oraz przed wymianą akcesoriów lub odłożeniem narzędzia na miejsce, należy odłączyć je od zasilania i/lub wyjąć akumulator.** Tego typu zapobiegawcze środki ostrożności zmniejszają ryzyko przypadkowego włączenia się elektronarzędzia.
  - d) **Nieużywane elektronarzędzia należy przechowywać w miejscu niedostępnym dla dzieci.** Osobom, które nie znają narzędzia lub nie zapoznały się z instrukcją nie należy pozwalać go używać. W rękach nieprzeszkolonych użytkowników elektronarzędzia mogą stanowić zagrożenie.
  - e) **Elektronarzędzia i akcesoria należy utrzymywać w dobrym stanie. Należy kontrolować, czy części ruchome nie są odchylone od osi, nie zacinają się i nie są pęknięte lub uszkodzone w inny sposób, który mógłby wpłynąć na działanie elektronarzędzia.** W razie uszkodzenia, przed użyciem narzędzie należy oddać do naprawy. Wiele wypadków wynika ze złej konserwacji elektronarzędzi.
  - f) **Należy dbać o czystość i naostrzenie narzędzi tnących.** Odpowiednio utrzymane narzędzia tnące z ostrymi krawędziami tnącymi są mniej narażone na zakleszczanie się i łatwiej jest je kontrolować.
  - g) **Elektronarzędzi, akcesoriów, wiertła, bitów, itp. należy używać zgodnie z niniejszą instrukcją, z uwzględnieniem warunków i rodzaju wykonywanej pracy.** Korzystanie z elektronarzędzi niezgodnie z przeznaczeniem może prowadzić do niebezpiecznych sytuacji.
  - h) **Należy dbać o to, aby uchwyty i powierzchnie do trzymania były suche, czyste i niezaplamiłone olejem lub smarem.** Śliskie uchwyty nie pozwalają w bezpieczny sposób kontrolować narzędzia w nieprzewidzianych sytuacjach.
- 5) UŻYWANIE I KONSERWOWANIE NARZĘDZI**

## AKUMULATOROWYCH

- a) **Do ładowania należy używać wyłącznie ładowarki wskazanej przez producenta.** Użycie ładowarki pochodzącej od jednego akumulatora do ładowania innego akumulatora grozi pożarem.
  - b) **Elektronarzędzi należy używać wyłącznie z dedykowanymi do nich akumulatorami.** Użycie jakichkolwiek innych akumulatorów grozi obrażeniami i pożarem.
  - c) **Jeżeli akumulator nie jest używany, należy go przechowywać z dala od innych przedmiotów metalowych, np. spinaczy, monet, kluczy, gwoździ, śrub i innych drobnych przedmiotów metalowych, które mogłyby spowodować zwarcie wyprowadzeń akumulatora.** Zwarcie wyprowadzeń akumulatora może doprowadzić do oparzeń lub pożaru.
  - d) **W niesprzyjających warunkach może dojść do wycieku cieczy z akumulatora. Należy wtedy unikać wszelkiego kontaktu z tą cieczą.** W razie przypadkowego kontaktu ze skórą, zabrudzone miejsce należy obficie przemyć wodą. Jeżeli płyn dostanie się do oczu, należy dodatkowo zasięgnąć porady lekarza. Płyn wyciekający z akumulatora może powodować podrażnienie lub oparzenia.
  - e) **Nie należy używać akumulatorów lub narzędzi, które są uszkodzone lub zostały poddane przeróbkom.** Uszkodzone lub zmodyfikowane akumulatory mogą zachowywać się w sposób nieprzewidywalny, co może doprowadzić do pożaru lub wybuchu lub stwarzać ryzyko urazów.
  - f) **Nie należy narażać akumulatora lub narzędzia na kontakt z ogniem lub zbyt wysokimi temperaturami.** Ogień lub temperatury przekraczające 130°C mogą doprowadzić do wybuchu.
  - g) **Należy przestrzegać wszystkich instrukcji ładowania.** Nie należy ładować akumulatora lub narzędzia poza przedziałem temperatur podany w instrukcji. Ładowanie w sposób nieprawidłowy lub w temperaturze wykraczającej poza określony zakres może doprowadzić do uszkodzenia akumulatora i zwiększa ryzyko pożaru.
- ## 6) SERWISOWANIE
- a) **Serwisowanie elektronarzędzia należy powierzać wykwalifikowanemu serwisantowi, a do naprawy używać wyłącznie części zamiennych identycznych z oryginalnymi.** Zapewni to bezpieczeństwo eksploatacji elektronarzędzia.
  - b) **Uszkodzonych akumulatorów nie należy nigdy naprawiać.** Jakiegokolwiek czynności serwisowe przy akumulatorach powinny być wykonywane wyłącznie przez producenta lub pracowników autoryzowanego serwisu.

## INSTRUKCJE BEZPIECZEŃSTWA DLA BEZSZCZOTKOWYCH PILAREK TARCZOWYCH

## INSTRUKCJE BEZPIECZEŃSTWA DLA WSZYSTKICH PILAREK

- a) **⚠ NIEBEZPIECZEŃSTWO: Ręce należy trzymać z dala od strefy cięcia i tarczy. Drugą rękę należy trzymać na uchwycie pomocniczym lub obudowie silnika.** Jeżeli piła jest trzymana oburącz, nie ma

niebezpieczeństwa, że tarcza dotknie dłoni.

- b) **Nie wolno sięgać pod przecinany element.** Osłona nie zabezpiecza użytkownika przed tarczą pod przecinanym elementem.
- c) **Głębokość cięcia należy dostosować do grubości przecinanego elementu.** Pod przecinanym elementem powinno być widać nie więcej niż cały ząb tarczy.
- d) **Podczas piłowania nigdy nie wolno trzymać przecinanego przedmiotu w dłoniach ani na kolanach. Przecinany element należy zamocować na stabilnej podstawie.** Ważne jest, aby przecinany element odpowiednio podeprzeć w taki sposób, aby do minimum ograniczyć zagrożenie dla użytkownika i ryzyko zakleszczenia tarczy lub utraty kontroli.
- e) **W czasie prac, w trakcie których końcówka tnąca może natrafić na ukryty przewód elektryczny lub własny przewód zasilający, elektronarzędzie należy trzymać za izolowane uchwyty.** Dotknięcie przewodu pod napięciem może spowodować, że przez nieizolowane elementy metalowe elektronarzędzia popłynię prąd, co grozi operatowi porażeniem.
- f) **Podczas cięcia wzdłuż słojów, aby uzyskać prostą krawędź, należy zawsze używać ogranicznika lub prowadnicy z prostą krawędzią.** Zwiększy to precyzję cięcia i zmniejszy możliwość zakleszczenia się tarczy.
- g) **Należy zawsze używać tarcz odpowiednich pod względem wielkości i kształtu otworu (rombowe lub okrągłe).** Tarcze, które nie pasują do osprzętu mocującego piły, będą pracowały niecentrycznie, co grozi utratą kontroli nad narzędziem.
- h) **Nigdy nie należy używać uszkodzonych lub niewłaściwych podkładek do tarcz lub śrub.** Podkładki pod tarczę i śruby zostały specjalnie zaprojektowane do zakupionej piły tak, aby gwarantowały optymalną pracę i maksymalne bezpieczeństwo użytkownika.

## DALSZE INSTRUKCJE BEZPIECZEŃSTWA DLA WSZYSTKICH PILAREK

## PRZYCZYNY ODBIJANIA I ZWIĄZANE Z TYM OSTRZEŻENIA

- odbicie jest nagłą reakcją tarczy tnącej na zablokowanie, zakleszczenie się lub skrzywienie, powodującą niekontrolowane wysunięcie się piły poza obrabiany element w górę w stronę operatora;
- gdy tarcza tnąca zakleszczy się lub zablokuje w zamykającym się nacięciu drewnianego elementu, tarcza zatrzymuje się, a reakcja silnika powoduje, że całe urządzenie gwałtownie odskakuje w stronę operatora;
- jeżeli tarcza w nacięciu skrzywi się lub odchyli od osi, zęby na tylnej krawędzi tarczy mogą wbić się w górną powierzchnię drewna, powodując wysunięcie się tarczy z nacięcia i odskok w kierunku operatora.

Odbicie jest efektem niewłaściwego użycia i/lub obsługiwaną piły lub wystąpienia warunków, których można uniknąć, o ile zostaną podjęte odpowiednie, podane niżej środki zapobiegawcze:

- a) **Piłę należy zawsze pewnie trzymać oburącz. Należy się zapierać ramionami w taki sposób, aby móc zamortyzować siły odbicia. Należy się ustawić po dowolnej stronie tarczy, ale nie na wyznaczonej**

przez nią linii cięcia. Odbicie może spowodować, że piła odskoczy do tyłu, jednak podejmując odpowiednie środki ostrożności operator jest w stanie zachować kontrolę.

- b) **Gdy tarcza zaklinuje się lub gdy z jakiegoś powodu cięcie zostanie przerwane, należy zwolnić przełącznik spustowy i przytrzymać piłę nieruchomo w przecinanym materiale aż do całkowitego zatrzymania się tarczy. Nigdy nie należy próbować wyjmować piły z przecinanego elementu lub ciągnąć piły do tyłu, gdy tarcza jeszcze porusza się – grozi to odbiciem.** Należy sprawdzić, dlaczego ostrze się zablokowało i podjąć stosowne działania, tak aby usunąć przyczynę zakleszczenia.
- c) **Przy ponownym włączeniu piły włożonej w przecinany element tarczę należy ustawić centralnie w nacięciu, tak aby zęby piły nie zahaczały o przecinany materiał.** Jeżeli tarcza tnąca klinuje się, przy ponownym włączeniu może ona podskoczyć do góry i szarpnąć w tył.
- d) **Podczas piłowania dużych płyt, aby zminimalizować ryzyko zakleszczenia lub odbicia tarczy, należy je podeprzeć.** Duże płyty często uginają się pod swoim własnym ciężarem. Podpory należy umieścić pod płytą z obu stron, obok linii cięcia i w pobliżu krawędzi płyty.
- e) **Nie należy używać tępych lub uszkodzonych tarcz.** Nienaostrzone lub niewłaściwie osadzone tarcze tworzą wąskie nacięcia, co skutkuje nadmiernym tarciem, zakleszczaniem się tarczy i odbijaniem.
- f) **Przed przystąpieniem do cięcia dźwignie regulacji głębokości ustawienia tarczy i jej skosu muszą być solidnie docisnięte i dokręcone.** Przesunięcie się ustawień tarczy w trakcie piłowania może spowodować zaklinowanie się tarczy lub odbicie.
- g) **Szczególną uwagę należy zachować podczas wykonywania „wcięć wgłębnych” w ścianach lub innych powierzchniach dostępnych tylko z jednej strony.** Wystająca część tarczy może natrafić na przedmioty powodujące odbicie.

#### **DZIAŁANIE OSŁONY DOLNEJ**

- a) **Przed każdym użyciem należy sprawdzić poprawne zamykanie się dolnej osłony. Nie należy włączać piły, jeżeli osłona dolna nie porusza się swobodnie i nie zamyka się natychmiast. Osłonę dolnej nigdy nie należy zaciskać lub podwijać w pozycji otwartej. Jeżeli piła zostanie przypadkowo upuszczona na ziemię, osłona dolna może się skrzywić.** Osłonę dolną należy pociągnąć za uchwyt i odchylić, aby upewnić się, że porusza się ona swobodnie i nie dotyka tarczy ani żadnych innych części, pod żadnym kątem i niezależnie od głębokości cięcia.
- b) **Przed użyciem należy sprawdzić działanie sprężyny dolnej osłony. Jeżeli osłona i sprężyna nie działają właściwie, przed użyciem należy je koniecznie naprawić.** Osłona dolna może poruszać się ciężiej i z oporami pod wpływem uszkodzenia części, lepkich osadów lub nagromadzenia się zanieczyszczeń.
- c) **Osłonę dolną można odchylić ręcznie tylko w celu wykonania specjalnych cięć takich jak „cięcia wgłębne” i „cięcia złożone”.** Aby odchylić osłonę dolną, należy pociągnąć za uchwyt na osłonie tarczy. Gdy tylko tarcza zagłębi się w materiale, osłonę dolną należy puścić. We wszystkich

pozostałych sytuacjach osłona dolna powinna pracować automatycznie.

- d) **Przed odłożeniem piły na podłozę lub na stole warsztatowym, należy zawsze dopilnować, aby osłona dolna zakrywała tarczę. Niezabezpieczona tarcza poruszająca się siłą rozpędu spowoduje, że piła odskoczy do tyłu, przecinając wszystko na co natrafi.** Należy mieć świadomość czasu, jaki jest konieczny do zatrzymania się tarczy od momentu puszczenia wyłącznika.

#### **KWESTIE OGÓLNE**

- Narzędzia nie powinny używać osoby w wieku poniżej 16 roku życia.
- To narzędzie nie nadaje się do cięcia na mokro.
- Nie pracuj z materiałami zawierającymi azbest** (azbest jest uważany za rakotwórczy).
- Pył pochodzący z materiałów takich jak farby zawierające ołów, niektóre gatunki drewna, minerały i metal może być szkodliwy (kontakt z nim lub wdychanie takiego pyłu może powodować reakcje alergiczne i/lub niewydolność oddechową u operatora lub osób towarzyszących); **należy zakładać maskę przeciwpylową i pracować z urządzeniem odsysającym, o ile można je podłączyć.**
- Niektóre rodzaje pyłu są zaklasyfikowane jako rakotwórcze (takie, jak pył dębu i buka) szczególnie w połączeniu z dodatkami do kondycjonowania drewna; **należy zakładać maskę przeciwpylową i pracować z urządzeniem odsysającym pył, o ile tylko można je podłączyć.**
- Należy stosować się do krajowych wymogów w sprawie pyłu z materiałów, w których użytkownik zamierza pracować.
- Tej piły nie należy używać w połączeniu ze stołem do piłowania.
- Przed jakąkolwiek regulacją lub zmianą akcesoriów należy wyjąć z narzędzia akumulator.

#### **AKCESORIA**

- Firma SKIL może zagwarantować bezawaryjne działanie narzędzia tylko pod warunkiem korzystania z oryginalnych akcesoriów.
- Należy używać tylko akcesoriów, których dopuszczalna prędkość pracy jest co najmniej tak wysoka jak maksymalna prędkość urządzenia bez obciążenia.
- Należy używać wyłącznie brzeszczotów, których parametry są zgodne z podanymi w niniejszej instrukcji obsługi oraz które zostały przetestowane i oznakowane zgodnie z wymaganiami normy EN 847-1.
- Należy używać wyłącznie brzeszczotów o średnicy 165 mm i otworze wrzeciona 16 mm.
- W tym narzędziu nigdy nie należy używać tarczy ściernych/tnących.

#### **PRZED UŻYCIEM**

- Należy unikać uszkodzeń, jakie mogą być spowodowane śrubami, gwoździami i innymi elementami znajdującymi się w obrabianym przedmiocie; przed rozpoczęciem pracy należy je usunąć.
- Przed rozpoczęciem cięcia należy usunąć wszystkie przeszkody u góry oraz pod linią cięcia.
- Obrabiany element należy zamocować** (element umieszczony w zaciskach lub imadle jest utrzymywany bezpieczniejszy niż w ręku).
- Aby wykryć ukryte przewody zasilające należy używać stosownych detektorów lub porozumieć się z miejscowym zakładem energetycznym** (kontakt z

przewodami elektrycznymi może doprowadzić do pożaru i porażenia prądem; uszkodzenie przewodu gazowego może doprowadzić do wybuchu; uszkodzenie przewodów instalacji wodociągowej powoduje szkody rzeczowe i może spowodować porażenie prądem).

#### PODCZAS UŻYTKOWANIA

- Poziom hałasu podczas pracy może przekraczać 85 dB(A); do ochrony słuchu należy używać nasuszników.
- Narzędzia można używać wyłącznie z oryginalnym systemem ochrony.
- Nie wolno przecinać przedmiotów zbyt małych.
- Nie wolno pracować narzędziem ponad głową.
- W przypadku zablokowania się lub usterki elektrycznej lub mechanicznej należy natychmiast wyłączyć narzędzie i wyjąć z niego akumulator.

#### PO UŻYCIU

- Przed odłożeniem narzędzia należy wyłączyć silnik i odczekać do całkowitego zatrzymania się wszystkich części.
- Po wyłączeniu silnika, nigdy nie należy wyhamowywać brzeszczota przez dociskanie go po boku.

#### AKUMULATORY

- **Dostarczony akumulator, o ile występuje, jest częściowo naładowany** (aby zapewnić pełne naładowanie akumulatora, przed użyciem elektronarzędzia po raz pierwszy akumulator należy całkowicie naładować ładowarką)
- **Do narzędzia należy stosować wyłącznie poniższe akumulatory i ładowarki**
  - Akumulator SKIL: BR1\*31\*\*\*\*
  - Ładowarka SKIL: CR1\*31\*\*\*\*
- Uszkodzony akumulator należy natychmiast wymienić, nie wolno go używać.
- Zabrania się rozmontowywania akumulatora.
- Elektronarzędzia/akumulatora nie należy narażać na działanie deszczu.
- Dopuszczalna temperatura otoczenia (narzędzie/ładowarka/akumulator):
  - podczas ładowania 4...40°C
  - podczas pracy -20...+50°C
  - podczas przechowywania -20...+50°C

#### OBJAŚNIENIE SYMBOLI NA NARZĘDZIU

- ③ Przed użyciem należy przeczytać instrukcję
- ④ Akumulatory w kontakcie z ogniem mogą eksplodować, więc nie wolno ich pod żadnym pozorem spalać
- ⑤ Narzędzie/ładowarkę/akumulator należy zawsze przechowywać w miejscach o temperaturze nie przekraczającej 50°C
- ⑥ Narzędzi elektrycznych oraz baterii/akumulatorów nie należy wyrzucać razem ze zwykłymi śmieciami z gospodarstw domowych

## UŻYTKOWANIE

- Ładowanie akumulatora  
**! Prosimy przeczytać ostrzeżenia dotyczące bezpieczeństwa oraz instrukcje dostarczone wraz z ładowarką.**
- Wyjmowanie/zakładanie akumulatora ②
- Wskaźnik poziomu naładowania akumulatora ⑦
  - W celu wyświetlenia aktualnego poziomu naładowania należy nacisnąć przycisk wskaźnika poziomu naładowania akumulatora ⑦a
- **! gdy po wciśnięciu przycisku AB ⑦b najniższy wskaźnik poziomu naładowania akumulatora**

**zaczyna migać, wówczas oznacza to, że akumulator jest rozładowany**

**! gdy po wciśnięciu przycisku AB ⑦c migają 2 wskaźniki poziomu naładowania akumulatora, wówczas oznacza to, że temperatura akumulatora nie mieści się w dozwolonym przedziale pracy**

- Oświetlenie LED linii cienia ⑧  
Narzędzie jest wyposażone w oświetlenie LED linii cienia umieszczone pod górną osłoną. Zapewnia to dodatkowe oświetlenie brzeszczota i powierzchni obrabianego przedmiotu. Światło LED wyświetla cięń brzeszczotu, prowadząc narzędzie wzdłuż linii cienia zaznaczonej na obrabianym przedmiocie.

**! zawsze wypróbować na kawałku zbędnego materiału**

Światło LED włączy się automatycznie po lekkim naciśnięciu spustu. Wyłącza się w około 10 sekund po puszczeniu przełącznika spustowego.

**! jeśli narzędzie i/lub akumulator zostaną przeciążone lub będą zbyt gorące, lampka LED zapali się i zacznie szybko migać, a czujniki wewnętrzne spowodują wyłączenie narzędzia. Narzędzie należy wtedy na chwilę odłożyć lub należy wyjąć akumulator i położyć osobno narzędzie i akumulator w miejscu, w którym będą chłodzone strumieniem powietrza.**

**! światło LED będzie migać wolniej, wskazując niski poziom naładowania akumulatora. Należy wtedy naładować akumulator.**

Pokrętko czyszczące LED X wbudowane w górną osłonę służy do czyszczenia światła LED. Jeśli światło LED zostanie przyciemnione z powodu nagromadzonego na nim trocin, obróć pokrętko czyszczenia LED X w dowolnym kierunku, aby usunąć trociny i ponownie rozjaśnić światło LED.

- System ochrony akumulatora  
Narzędzie nagle wyłącza się lub nie można go włączyć, gdy
  - **obciążenie jest zbyt duże** --> należy usunąć obciążenie i uruchomić narzędzie ponownie
  - **temperatura akumulatora jest poza dopuszczalnym zakresem wynoszącym od -20 do 50°C** --> 2 paski poziomu energii akumulatora na wskaźniku zaczną migać po naciśnięciu przycisku AB ⑦c; należy poczekać, aż temperatura akumulatora powróci do dopuszczalnego zakresu
  - **akumulator jest prawie całkowicie wyczerpany (zabezpieczenie przed głębokim rozładowaniem)**  
--> naciśnięcie przycisku AB powoduje wyświetlenie na wskaźniku niskiego poziomu akumulatora lub miganie paska niskiego poziomu akumulatora ⑦b; naładować akumulator
- Instalacja brzeszczota AA ②

**! wyjąć z narzędzia akumulator**

- ze showka B wyjąć klucz imbusowy A
- nacisnąć przycisk blokady wrzeczona C i przytrzymać go w tym położeniu podczas wykręcania śruby D, przekręcając klucz imbusowy A **W PRAWO** (ZGODNIE Z KIERUNKIEM RUCHU WSKAZÓWEK ZEGARA = kierunek wskazywany przez strzałkę znajdującą się na

pile tarczowej)

! przycisk blokady wrzeczona C wolno naciskać tylko wtedy, gdy narzędzie całkowicie się zatrzymało

- puścić przycisk blokady wrzeczona C
- zdjąć kołnierz E

! należy upewnić się, że powierzchnie zaciskowe H kołnierzy są idealnie czyste i zwrócone w stronę tarczy

- za pomocą dźwigni G odchylić osłonę dolną F i przytrzymać na czas montażu tarczy tnącej; zęby tarczy i strzałka nadrukowana na tarczy muszą wskazywać ten sam kierunek co strzałka na osłonie dolnej

- puścić osłonę dolną F
- kołnierz montażowy E

- nacisnąć przycisk blokady wrzeczona C i przytrzymać go podczas dokręcania śruby D kluczem imbusowym A o 1/8 obrotu ponad siłę dokręcenia palcami (zapewnia to poślizg tarczy po napotkaniu zbyt dużego oporu cięcia, a tym samym pozwala uniknąć przecięcia silnika i wstecznego odrzutu narzędzia)

- puścić przycisk blokady wrzeczona C

- Regulacja głębokości cięcia (0-57 mm) ⑨
  - poluzować pokrętko K
  - podnosić/opuszczać stopkę J do momentu ustawienia żądanej głębokości cięcia na skali za pomocą wskaźnika głębokości cięcia L
  - dokręcić pokrętko K
  - w celu zapewnienia optymalnej jakości cięcia brzeszczot nie powinien wystawać poniżej dolnej powierzchni przedmiotu więcej niż jeden ząb
- Regulacja kąta cięcia (0-45°) ⑩
  - poluzować pokrętko M
  - korzystając ze wskaźnika kąta cięcia N, przechylić narzędzie na żądany kąt cięcia na skali
  - dokręcić pokrętko M

! w przypadku nieprostokątnego ustawienia piły głębokość cięcia wskazywana na podziałce nie odpowiada rzeczywistej głębokości

- Wskaźnik linii cięcia P ⑪
  - służy do prowadzenia narzędzia wzdłuż żądanej linii cięcia zaznaczonej na przecinanym przedmiocie
  - przy cięciu prostopadłym pod kątem 0° lub z nachyleniem pod kątem 45° należy korzystać z odpowiednich linii wskazujących

! szersza strona płyty podstawy powinna przylegać do wspartej części obrabianego przedmiotu

! szerokość linii cięcia wyznacza nie grubość piły tarczowej, lecz grubość jej zębów

! w celu sprawdzenia poprawności ustawienia wykonać próbne cięcie

- Odsysanie pyłu ⑫
  - Za pomocą śruby z głowicą krzyżakową zamocować adapter R odkurzacza do portu odpylacza Q
  - Do korzystania z odkurzacza
  - podłączyć wąż odkurzacza do adaptera do odkurzacza R

! należy uważać, aby wąż odkurzacza nigdy nie blokował swobody ruchu osłony F i nie utrudniał cięcia

Worek na pył

- zamontować worek na pył AC \*STANDARDOWO

## NIEDOSTĘPNE

- Obsługa narzędzia
  - zamontować akumulator
  - zawsze jedną ręką mocno chwycić tylny uchwyt S, a drugą mocno chwycić przedni uchwyt T
  - położyć narzędzie przednim końcem stopy na płasko na elemencie
- ! należy się upewnić czy zęby piły nie stykają się już z obrabianym przedmiotem
- aby włączyć narzędzie, należy najpierw wcisnąć wyłącznik bezpieczeństwa W, a następnie pociągnąć za włącznik spustowy V
- ! piłę przystawiać do obrabianego przedmiotu dopiero po osiągnięciu przez elektronarzędzie pełnej prędkości obrotowej
- osłona dolna F otwierana jest automatycznie w momencie zbliżenia tarczy tnącej do przecinanego przedmiotu (osłonę można odchylić ręcznie dźwignią G tylko w przypadku wykonywania cięć specjalnych takich jak cięcia wgłębne)
- ! nie wolno przeciążać narzędzia (należy stosować lekki miarowy docisk, co pozwoli uniknąć przegrzania końcówek brzeszczotu)
- po zakończeniu cięcia wyłączyć narzędzie puszcżając wyłącznik spustowy V
- ! przed podniesieniem narzędzia z przecinanego elementu należy się upewnić, że ostrze całkowicie się zatrzymało

## WSKAZÓWKI DOTYCZĄCE UŻYTKOWANIA

- Aby ograniczyć do minimum strzępienie się materiału, eksponowaną stronę pitowanego elementu należy zawsze kłaść do dołu.
- Należy używać wyłącznicze ostrych brzeszczotów właściwego typu ⑬
  - jakość cięcia poprawia się wraz ze wzrostem liczby zębów
  - tarcze z zębami z węglików spiekanych mają około 30- krotnie większą żywotność w porównaniu do tarcz zwykłego typu
- Cięcia poprzecznie/równoległe do słojów ⑭
  - Dzięki prowadnicy równoległej Y, cięcia poprzecznie lub równoległe do słojów są łatwe do wykonania.
  - wyrównać prowadnicę do wskaźnika P linii cięcia 0° na stopie
  - przełożyć prowadnicę równoległą Y przez szczeliny po obu stronach stopy na żądanej szerokości i zablokować pokrętkiem Z
- ! ogranicznik równoległy nie może zakłócać swobodnego ruchu osłony dolnej i tarczy tnącej
- Cięcia wgłębne ⑮
  - ustawić żądaną głębokość cięcia
  - przechylić narzędzie do przodu, tak aby wskaźnik linii cięcia P był skierowany na naniesioną na przecinanym elemencie linię
  - za pomocą dźwigni G odchylić osłonę dolną F
  - bezpośrednio przed zagłębieniem tarczy uruchomić elektronarzędzie, przechylając pilarkę wzdłuż przedniej krawędzi podstawy opuścić wolno tylną część elektronarzędzia
  - stopniowo przesuwając narzędzie w dół i do przodu



- gdy tarcza zagłębi się w materiał, natychmiast puścić dźwignię G

**! elektronarzędzie prowadzić tylko do przodu**

- Cięcie większych płyt <sup>16</sup>

- przecinany element należy podeprzeć blisko miejsca cięcia na podłodze, stole lub stole warsztatowym

**! ustawić głębokość cięcia w taki sposób, aby przcinać tylko płytę a nie przedmioty wspierające znajdujące się poniżej**

- w przypadku, gdy prowadnica równoległa nie daje możliwości żądanej szerokości cięcia, należy przytwierdzić dodatkową listwę do powierzchni obrabianego przedmiotu i prowadzić narzędzie prawą stroną wzdłuż listwy <sup>17</sup>

- Cięcie z szyną prowadzącą <sup>19</sup>

\* ELEMENT NIEDOSTĘPNY W STANDARDZIE

Zastosowanie szyny prowadzącej umożliwiła precyzyjne i dokładne cięcie w linii prostej zarówno pod kątem 45°, jak i 90°.

Przed wykonaniem pierwszego cięcia z użyciem szyny prowadzącej, gumową nakładkę należy dopasować do używanej piły tarczowej.

- w przypadku cięcia prostego pod kątem 90°, należy wyrównać stroną nachylenia 90° szyny AD (lub stroną nachylenia 45° podczas wykonywania cięcia pod kątem 45°) do zamierzonej linii cięcia zaznaczonej na przecinanym elemencie.

- mocno zablokować szynę prowadzącą AD na przecinanym elemencie za pomocą zacisków szyny prowadzącej AE <sup>18</sup> \*ELEMENT NIEDOSTĘPNY W STANDARDZIE

- wsuń piłę na szynę prowadzącą AD, upewnij się, że piła może swobodnie przesuwac się po szynie bez kofysania się na boki.

- podczas ustawiania głębokości cięcia należy pamiętać o tym, aby uwzględnić grubość szyny prowadzącej AD.

- powoli i miarowo przesuwac piłę aż za koniec szyny prowadzącej AD.

- Więcej informacji można znaleźć na stronie [www.skil.com](http://www.skil.com)

## KONSERWACJA / SERWIS

- Ta maszyna nie jest przeznaczona do użytku profesjonalnego.
- Należy zawsze utrzymywać narzędzie w czystości.  
**! przed rozpoczęciem czyszczenia należy wyjąć z narzędzia akumulator**
- Strefa wokół osłony dolnej F <sup>2</sup> musi być zawsze czysta (kurz i wióry należy usuwać sprężonym powietrzem lub szczotką).
- Brzeszczot należy czyścić natychmiast po użyciu (zwłaszcza z żywicy i kleju)
- Jeśli narzędzie, mimo dokładnej i wszechstronnej kontroli produkcyjnej ulegnie kiedykolwiek awarii, naprawę powinien przeprowadzić autoryzowany serwis elektronarzędzi firmy SKIL.
  - nierozbrane narzędzie należy odesłać, wraz z dowodem zakupu, do swojego dystrybutora lub do najbliższego punktu serwisowego SKIL (adresy oraz diagram serwisowy narzędzia znajdują się na stronach [www.skil.com](http://www.skil.com))
- Prosimy pamiętać, że uszkodzenia spowodowane przeciążeniem lub niewłaściwym użytkowaniem

narzędzia nie podlegają gwarancji (warunki gwarancji SKIL znajdują się na [www.skil.com](http://www.skil.com), ewentualnie można też zapytać swojego dystrybutora).

## ŚRODOWISKO

Dotyczy tylko krajów UE

- **Elektronarzędzi, akcesoriów i opakowania nie należy wyrzucać do odpadów zmieszanych**
  - zgodnie z Europejską Dyrektywą 2012/19/WE w sprawie zużytego sprzętu elektrotechnicznego i elektronicznego oraz dostosowaniem jej do prawa krajowego, zużyte elektronarzędzia należy segregować i utylizować w sposób przyjazny dla środowiska
  - jeśli produkt trzeba zutylizować, przypomina o tym symbol <sup>6</sup>
- ! aby nie dopuścić do zwarcia, przed utylizacją należy zabezpieczyć wyprowadzenia akumulatora grubą taśmą**

## HAŁAS/DRGANIA

- Poziom ciśnienia akustycznego narzędzia zmierzony zgodnie z normą EN 62841 wynosi 94 dB(A), poziom mocy akustycznej wynosi 102 dB(A) (niepewność K = 3 dB), zaś poziom drgań <math><2.5 \text{ m/s}^2</math> (sumy wektorowe przyspieszeń mierzone czujnikiem triax; niepewność K = 1.5 m/s<sup>2</sup>).
- Poziom emisji drgań został zmierzony zgodnie z testem standaryzowanym podanym w EN 62841; może służyć do porównania jednego narzędzia z innym i jako ocena wstępna narażenia na wibracje w trakcie używania narzędzia do wymienionych zadań
  - używanie narzędzia do innych zastosowań, lub z innymi albo źle utrzymanymi akcesoriami, może znacząco **zwiększyć** poziom narażenia.
  - przypadki, kiedy narzędzie jest wyłączone lub pracuje, ale aktualnie nie wykonuje zadania, mogą znacząco **zmniejszyć** poziom narażenia.
- ! należy chronić się przed skutkami wibracji przez konserwację narzędzia i jego akcesoriów, dbanie o ciepło dłoni i właściwą organizację pracy**

RU

## Бесщеточная циркулярная пила

3551

предусмотренных изготовителем для продукции, могут входить настоящее руководство по эксплуатации, а также приложения.

Информация о подтверждении соответствия содержится в приложениях.

### Срок службы изделия

Срок службы изделия составляет 7 лет. Не рекомендуется к эксплуатации по истечении 5 лет хранения с даты изготовления без предварительной проверки (дату изготовления см. на этикетке).

### Перечень критических отказов и ошибочные действия персонала или пользователя

- не использовать с поврежденной рукояткой или поврежденным защитным кожухом
- не использовать при появлении дыма

- непосредственно из корпуса изделия
- не использовать с перебитым или оголенным электрическим кабелем
- не использовать на открытом пространстве во время дождя (в распыляемой воде)
- не включать при попадании воды в корпус
- не использовать при сильном искрении
- не использовать при появлении сильной вибрации

#### Критерии предельных состояний

- перетёрт или повреждён электрический кабель
- поврежден корпус изделия

#### Тип и периодичность технического обслуживания

Рекомендуется очистить инструмент от пыли после каждого использования.

#### Хранение

- необходимо хранить в сухом месте
- необходимо хранить вдали от источников повышенных температур и воздействия солнечных лучей
- при хранении необходимо избегать резкого перепада температур
- хранение без упаковки не допускается
- подробные требования к условиям хранения смотрите в ГОСТ 15150 (Условие 1)

#### Транспортировка

- категорически не допускается падение и любые механические воздействия на упаковку при транспортировке
- при разгрузке/погрузке не допускается использование любого вида техники, работающей по принципу зажима упаковки
- подробные требования к условиям транспортировки смотрите в ГОСТ 15150 (Условие 5)

#### ВНИМАНИЕ!

**В случае возникновения перебоев в работе электроинструмента вследствие полного или частичного прекращения энергоснабжения или повреждения цепи управления энергоснабжением установите выключатель в положение Выкл., убедившись, что он не заблокирован (при его наличии) и отключите сетевую вилку от розетки или отсоедините съёмный аккумулятор (этим предотвращается неконтролируемый повторный запуск)**

## ВВЕДЕНИЕ

- Этот инструмент предназначен для продольной и поперечной резки древесины прямыми пропилами, а также резами под углом до 45°.
- Этот инструмент не предназначен для профессионального использования.
- Изучите и сохраните данное руководство по эксплуатации ③.

## ТЕХНИЧЕСКИЕ ХАРАКТЕРИСТИКИ ①

### СТРАНА ИЗГОТОВЛЕНИЯ

Сделано в Китае

## КОМПОНЕНТЫ УСТРОЙСТВА ②

- A** Шестигранный ключ
- B** Отделение для шестигранного ключа
- C** Кнопка блокировки шпинделя
- D** Болт
- E** Фланец
- F** Нижний щиток
- G** Ручка для открытия нижнего щитка
- H** Защитная поверхность
- J** Основание
- K** Ручка регулировки глубины резки
- L** Индикатор глубины пропила
- M** Ручка для регулировки угла пропила
- N** Индикатор угла пропила
- P** Указатель линии пропила
- Q** Отверстие для отвода пыли
- R** Адаптер для пылесоса
- S** Задняя рукоятка
- T** Передняя рукоятка
- U** Паз для направляющей
- V** Курковый переключатель
- W** Кнопка блокировки
- X** Очиститель светодиодной лампы
- Y** Параллельная направляющая
- Z** Фиксатор для регулировки параллельной направляющей
- AA** Пильный диск
- AB** Индикатор уровня заряда
- AC** АПылесборник\*
- AD** АНаправляющая\*
- AE** АЗажим направляющей\*

\* НЕ ВХОДИТ В СТАНДАРТНЫЙ КОМПЛЕКТ.

## БЕЗОПАСНОСТЬ

### ОБЩИЕ ПРАВИЛА ТЕХНИКИ БЕЗОПАСНОСТИ ПРИ ИСПОЛЬЗОВАНИИ УСТРОЙСТВА

**⚠ ПРЕДУПРЕЖДЕНИЕ** Прочитайте все правила безопасности, инструкции, иллюстрации и спецификации, прилагаемые к этому электроинструменту. Невыполнение изложенных ниже инструкций может привести к поражению электрическим током, пожару и (или) тяжелым травмам.

Сохраните все предупреждения и инструкции для использования в будущем.

Термин «электроинструмент» в предупреждениях означает электрический инструмент с питанием от сети (с кабелем) или электрический инструмент с питанием от аккумулятора (без кабеля).

#### 1) БЕЗОПАСНОСТЬ РАБОЧЕГО МЕСТА

- a) **Обеспечьте чистоту и освещенность рабочего места.** Загроможденные и плохо освещенные места служат причиной несчастных случаев.
- b) **Не используйте электроинструменты во взрывоопасных местах, например вблизи горючих жидкостей, газов или пыли.** Электроинструменты генерируют искры, которые могут воспламенить пыль или испарения.
- c) **Не позволяйте детям и посторонним находиться вблизи работающего электроинструмента.**

Отвлекающие факторы могут привести к потере контроля.

## 2) ЭЛЕКТРОТЕХНИЧЕСКАЯ БЕЗОПАСНОСТЬ

- a) **Вилка электроинструмента должна соответствовать розетке. Никогда не переделывайте вилку.** Не используйте никакие переходники для вилок электроинструментов с заземлением. Использование оригинальных вилок и соответствующих им розеток уменьшает риск поражения электрическим током.
  - b) **Избегайте прикосновений к заземленным объектам, таким как трубы, радиаторы, плиты и холодильники.** Риск поражения электрическим током выше, когда тело заземлено.
  - c) **Не подвергайте электроинструменты воздействию дождя или влаги.** При попадании воды в электроинструмент увеличивается риск поражения электрическим током.
  - d) **Обращайтесь с кабелем аккуратно. Никогда не переносите, не тяните и не выключайте электроинструмент за кабель.** Держите кабель подальше от источников тепла, масла, острых предметов и движущихся частей. Поврежденные и запутанные кабели повышают риск поражения электрическим током.
  - e) **Для работы с электроинструментом вне помещения используйте предназначенный для этого удлинительный кабель.** Использование кабеля, подходящего для использования вне помещения, снижает риск поражения электрическим током.
  - f) **Если использование электроинструмента в сыром помещении неизбежно, подключайте его через устройство защитного отключения (УЗО).** Использование УЗО снижает риск поражения электрическим током.
- ## 3) ЛИЧНАЯ БЕЗОПАСНОСТЬ
- a) **При использовании электроинструмента будьте бдительны, следите за своими действиями и следуйте здравому смыслу. Не пользуйтесь электроинструментом, если вы устали или находитесь под воздействием наркотиков, алкоголя или медикаментов.** Даже кратковременная невнимательность при работе с электроинструментом может привести к тяжелым травмам.
  - b) **Используйте средства индивидуальной защиты. Всегда используйте защитные средства для глаз.** Защитное оборудование, такое как противопылевая маска, нескользкая предохранительная обувь, жесткая каска или устройства защиты органов слуха в соответствующих условиях уменьшает риск травмирования.
  - c) **Не допускайте непредвиденных запусков. Перед подключением электроинструмента к сети питания (или аккумулятору) и перед его переносной убедитесь, что выключатель находится в выключенном положении.** Не держите палец на выключателе при переноске электроинструментов и не включайте вилку в розетку, если электроинструмент выключен. Это может привести к несчастному случаю.
  - d) **Перед включением электроинструмента**

**снимите с него регулировочные инструменты и гаечные ключи.** Регулировочный инструмент или гаечный ключ, оставленный на вращающейся части электроинструмента, может стать причиной травмы.

- e) **Не тянитесь. Всегда сохраняйте устойчивое положение и равновесие.** Это позволит лучше контролировать электроинструмент в непредвиденных ситуациях.
  - f) **Одевайтесь надлежащим образом. Не надевайте свободную одежду и украшения. Держите волосы и одежду подальше от движущихся частей.** Свободная одежда, украшения и длинные волосы могут попасть в движущиеся части.
  - g) **При наличии устройств для отвода и сбора пыли убедитесь, что они подключены и правильно работают.** Использование пылеулавливающих устройств снижает вред, причиняемый пылью.
  - h) **Не допускайте небрежности, которая может возникнуть из-за частого использования инструмента и повлечь за собой самоуверенность и игнорирование правил безопасности.** Неосторожное действие может причинить серьезную травму за доли секунды.
- ## 4) ИСПОЛЬЗОВАНИЕ И ОБСЛУЖИВАНИЕ ЭЛЕКТРОИНСТРУМЕНТА
- a) **Не прикладывайте к электроинструменту чрезмерных усилий. Используйте подходящий для ваших задач электроинструмент.** Правильно выбранный электроинструмент более эффективен и безопасен при номинальной нагрузке.
  - b) **Не используйте электроинструмент, если его выключатель неисправен.** Электроинструменты с неисправным выключателем опасны и подлежат ремонту.
  - c) **Перед регулировкой, сменой аксессуаров или хранением отключите электроинструмент от сети питания и (или) извлеките аккумулятор, если это возможно.** Такие меры предосторожности уменьшают риск случайного запуска электроинструмента.
  - d) **Храните неиспользуемые электроинструменты в местах, недоступных для детей, и не доверяйте электроинструмент лицам, не знакомым с ним и с этими инструкциями.** Электроинструменты опасны в руках неподготовленных пользователей.
  - e) **Выполняйте техническое обслуживание электроинструментов и принадлежностей. Проверьте выравнивание и сцепление подвижных деталей, наличие поломок и прочие условия, которые могут повлиять на работу электроинструмента. Если электроинструмент поврежден, перед использованием его необходимо отремонтировать.** Недостаточный уход за электроинструментом является причиной многих несчастных случаев.
  - f) **Храните режущие инструменты в чистоте и заточенном состоянии.** Правильно обслуживаемые и хорошо заточенные режущие инструменты меньше заклинивают и лучше контролируются.
  - g) **Используйте электроинструмент, аксессуары, насадки и т. п. в соответствии с этими инструкциями, учитывая условия и специфику выполняемой работы.** Использование

электроинструмента для выполнения непредусмотренных операций может привести к опасным ситуациям.

- h) **Следите за тем, чтобы рукоятки и поверхности захвата были сухими и чистыми и на них не было масла или смазочного материала.** Скользкие рукоятки и поверхности захвата не позволяют безопасно использовать инструмент и контролировать его в непредвиденных ситуациях.
- 5) **Эксплуатация и обслуживание инструмента с питанием от аккумулятора**
- a) **Заряжайте аккумуляторы только с помощью зарядного устройства, указанного изготовителем.** Зарядное устройство, предназначенное для одного типа аккумуляторных батарей, может стать причиной пожара при использовании с другим типом батарей.
- b) **Используйте электроинструмент только со специально предназначенными для него аккумуляторами.** Использование любого другого вида аккумуляторных батарей может стать причиной несчастных случаев или пожара.
- c) **Когда аккумулятор не используется, храните его отдельно от металлических предметов — канцелярских скрепок, монет, ключей, гвоздей, винтов и др. — они могут соединить контакты.** Короткое замыкание контактов аккумуляторной батареи может стать причиной ожогов или пожара.
- d) **При неблагоприятных обстоятельствах из аккумулятора может потечь электролит; избегайте контакта с ним. При случайном контакте промойте водой.** Если жидкость попала в глаза, обратитесь к врачу. Жидкость из аккумуляторной батареи может вызвать раздражение и ожоги.
- e) **Не используйте аккумулятор и инструмент, если они повреждены или подвергались модификациям.** Поведение поврежденных или модифицированных аккумуляторов может быть непредсказуемым, что приведет к возгоранию, взрыву и риску получения травм.
- f) **Не подвергайте аккумуляторную батарею и инструмент воздействию огня и высокой температуры.** Воздействие огня или температуры выше 130 °C может привести к взрыву.
- g) **Следуйте всем инструкциям по зарядке и не заряжайте аккумулятор и инструмент при температуре, выходящей за пределы указанного диапазона.** Если зарядка выполняется неправильно или в условиях неподходящей температуры, это может привести к повреждению аккумулятора и возгоранию.
- 6) **РЕМОНТ**
- a) **Ремонт электроинструмента должен производиться квалифицированным специалистом с использованием только идентичных запасных частей.** Это обеспечит безопасную работу электроинструмента.
- b) **Никогда не выполняйте обслуживание поврежденного аккумулятора. Обслуживание аккумуляторов должно выполняться только производителем или в авторизованном сервисном центре.**

## ИНСТРУКЦИИ ПО ТЕХНИКЕ БЕЗОПАСНОСТИ ПРИ ИСПОЛЬЗОВАНИИ БЕСЩЕТОЧНОЙ ЦИРКУЛЯРНОЙ ПИЛЫ

### ИНСТРУКЦИИ ПО ТЕХНИКЕ БЕЗОПАСНОСТИ ДЛЯ ПИЛ ЛЮБОГО ТИПА

- a) **⚠ ОПАСНО! Держите руки подальше от места резы и пильного диска. Второй рукой держитесь за вспомогательную рукоятку или корпус двигателя.** При удерживании пилы двумя руками получение травмы в результате пореза невозможно.
- b) **Следите за тем, чтобы ничего не попало под разрезаемый материал.** Щиток не предохраняет от пильного диска под заготовкой.
- c) **Регулируйте глубину пропила в соответствии с толщиной заготовки.** Зубья пилы не должны полностью выступать из-под заготовки.
- d) **Никогда не держите заготовку в руках или на коленях. Закрепите заготовку на устойчивом основании.** Необходимо правильно закрепить заготовку, чтобы уменьшить риск получения травмы, заклинивания пильного диска или потери управления.
- e) **При выполнении работ, в ходе которых режущий элемент может касаться скрытой электропроводки, держите инструмент за изолированные поверхности.** Касание провода под напряжением может передать напряжение на металлические детали электроинструмента, и оператор получит удар током.
- f) **Во время продольной резы всегда используйте направляющую планку или угольник.** Это повышает точность распиливания и уменьшает риск заклинивания пильного диска.
- g) **Всегда пользуйтесь пильным диском с монтажным отверстием правильного размера и формы (ромбовидным или круглым).** Пильные диски, которые не соответствуют креплению пилы, будут вращаться эксцентрично, что приведет к потере контроля над инструментом.
- h) **Никогда не используйте для пильного диска поврежденные или неподходящие шайбы или болты.** Шайбы и болты для пильного диска специально разработаны для данной пилы и обеспечивают оптимальную производительность и безопасность.

### ДОПОЛНИТЕЛЬНЫЕ ИНСТРУКЦИИ ПО ТЕХНИКЕ БЕЗОПАСНОСТИ ДЛЯ ПИЛ ЛЮБОГО ТИПА

#### ПРИЧИНЫ ОТДАЧИ И ИХ ПРЕДУПРЕЖДЕНИЕ

- Отдача представляет собой внезапную реакцию на зажатие, заедание или смещение пильного диска, при этом неконтролируемая пила выбрасывается из заготовки вверх и может ударить оператора.
- Когда диск зажимается или застревает при сужении пропила, он останавливается, а инструмент под воздействием реакции двигателя отбрасывается в сторону оператора.
- Если пильный диск перекрутился или неправильно выровнен в разрезе, зубцы на заднем краю пильного диска могут врезаться в поверхность

материала, вызывая подъем или отскок диска в направлении оператора.

Отдача является результатом неправильного использования инструмента и (или) несоблюдения инструкций или условий работы. Приведенные ниже меры предосторожности позволяют предотвратить возникновение отдачи.

- a) **Крепко держите инструмент обеими руками, расположив руки наиболее удобным образом для реакции на отдачу. Держите пилу с любой стороны, но не на одной линии с телом.** В результате отдачи пила может отскочить назад, но оператор может контролировать силу отдачи при соблюдении правил безопасности.
- b) **Если диск заедает или нужно прервать резку по какой-либо причине, выключите инструмент и удерживайте его неподвижно в материале вплоть до полной остановки диска. Не пытайтесь извлечь пилу из заготовки или потянуть ее назад во время вращения пильного диска, так как это может привести к возникновению отдачи.** Осмотрите место зажатия и примите необходимые меры, чтобы устранить причину.
- c) **При возобновлении распиливания заготовки установите пильный диск в центр распила и убедитесь, что зубья не зацепились за обрабатываемый материал.** Если пильный диск застрял, при повторном запуске пилы он может рвануться вверх или в сторону оператора.
- d) **Обеспечьте поддержку заготовок большого размера, чтобы уменьшить риск зажатия пильного диска и возникновения отдачи.** Широкие заготовки могут провисать под собственным весом. Под заготовкой следует установить опоры с обеих сторон — вблизи линии реза и у края заготовки.
- e) **Не используйте затупившиеся или поврежденные пильные диски.** При использовании затупившегося или неправильно установленного пильного диска распил получается узким, что приводит к чрезмерному трению, зажатию диска и возникновению отдачи.
- f) **Перед распиливанием должны быть надежно зафиксированы блокирующие рычаги регулировки глубины и угла наклона пильного диска.** Если во время распиливания сбивается настройка пильного диска, это может привести к его зажатию или возникновению отдачи.
- g) **Соблюдайте особую осторожность при распиливании стен или других непросматриваемых областей.** Выступающий пильный диск может распилить предметы, которые способствуют возникновению отдачи.

#### ФУНКЦИЯ НИЖНЕГО ЩИТКА

- a) **Проверяйте надежность крепления нижнего щитка перед каждым использованием. Не используйте пилу, если нижний щиток не передвигается свободно и не закрывается мгновенно. Никогда не зажимайте и не фиксируйте нижний щиток в открытом положении.** Случайное падение пилы может привести к деформации щитка. Приподнимите нижний щиток за рукоятку и убедитесь, что он

движется свободно и не касается диска и других частей при любых углах и глубине резки.

- b) **Проверьте работу пружины нижнего щитка. Если щиток или пружина не работают должным образом, устраните неисправность перед использованием.** Работа нижнего щитка может быть замедлена в результате повреждения частей, липких отложений или скопившихся загрязнений.
- c) **Нижний щиток можно отвести вручную только для выполнения специальных распилов, таких как «погружные» и «сложные».** Приподнимите нижний щиток за рукоятку. Как только пильный диск войдет в материал, щиток необходимо отпустить. Во всех остальных режимах резки нижний щиток должен работать автоматически.
- d) **Прежде чем положить пилу на верстак или пол, убедитесь, что нижний щиток закрывает пильный диск.** Незащищенный движущийся по инерции диск может привести к обратному ходу пилы, при котором будет распилено все, что встретится на ее пути. Помните, что для остановки диска после выключения питания требуется некоторое время.

#### ОБЩИЕ ПОЛОЖЕНИЯ

- Данный инструмент не должен использоваться лицами младше 16 лет.
- Этот инструмент непригоден для резки со смачиванием.
- **Не обрабатывайте материалы, содержащие асбест.** Асбест считается канцерогенным веществом.
- Пыль от материалов, таких как краска с содержанием свинца, некоторые породы дерева, минералы и металлы, может быть вредна. Контакт с такой пылью или ее вдыхание может вызвать аллергические реакции и (или) болезнь органов дыхания у оператора или находящихся рядом лиц. **Надевайте респиратор и по возможности используйте пылеулавливающие устройства.**
- Некоторые виды пыли классифицируются как канцерогенные (например, дубовая и буковая пыль), особенно в сочетании с добавками для кондиционирования древесины. **Надевайте респиратор и по возможности используйте пылеулавливающие устройства.**
- При работе с различными материалами следуйте национальным нормативным требованиям в отношении пыли.
- При работе этой пилой нельзя пользоваться пильным столом.
- Всегда извлекайте аккумулятор перед выполнением любых регулировок или сменой насадок.

#### ПРИНАДЛЕЖНОСТИ

- Компания SKIL может гарантировать безупречную работу инструмента только при использовании оригинальных насадок.
- Используйте только такие насадки, допустимая скорость вращения которых по крайней мере равна самой высокой скорости работы устройства без нагрузки.
- Используйте только пильные диски, соответствующие характеристикам, приведенным в данном руководстве по эксплуатации, а также проверенные и маркированные в соответствии со стандартом EN 847-1.

- Используйте только пильные диски диаметром 165 мм и отверстием для шпинделя 16 мм.
- Никогда не используйте шлифовальные круги и режущие диски с данным инструментом.

#### ПЕРЕД ИСПОЛЬЗОВАНИЕМ

- Остерегайтесь винтов, гвоздей и прочих предметов во заготовке, уберите их перед началом работы.
- Перед началом работы удалите все препятствия как сверху, так и снизу траектории резки.
- **Закрепите заготовку** (надежнее зафиксируйте заготовку в зажимном устройстве или в тисках, чем удерживать ее рукой).
- **Для обнаружения скрытых коммуникаций используйте соответствующие детекторы или обратитесь за помощью в местное коммунальное предприятие.** Контакт с электропроводкой может привести к пожару или поражению электрическим током, повреждение газопровода может привести к взрыву, а повреждение водопровода может повлечь повреждение имущества или поражение электрическим током.

#### ВО ВРЕМЯ ИСПОЛЬЗОВАНИЯ

- Уровень шума на рабочем месте может превышать 85 дБ (А). Используйте средства защиты органов слуха.
- Запрещается использовать инструмент без штатной системы предохранительных щитков.
- Не пытайтесь резать слишком маленькие заготовки.
- При работе не поднимайте инструмент выше уровня головы.
- В случае заземления диска или электрической или механической неисправности инструмента немедленно выключите его и извлеките аккумулятор.

#### ПОСЛЕ ИСПОЛЬЗОВАНИЯ

- Прежде чем положить инструмент, выключите его и убедитесь, что все движущиеся части полностью остановились.
- Не допускается после отключения пилы останавливать вращение пильного диска, прикладывая к нему боковое усилие.

#### АНКУМУЛЯТОРЫ

- **Аккумулятор** (при наличии) поставляется частично заряженным. Чтобы обеспечить полную емкость аккумулятора, перед первым использованием инструмента полностью зарядите аккумулятор с помощью зарядного устройства.
- **Используйте с этим инструментом только указанные далее аккумуляторы и зарядные устройства.**
  - Аккумулятор SKIL: BR1\*31\*\*\*\*
  - Зарядное устройство SKIL: CR1\*31\*\*\*\*
- Не используйте поврежденный аккумулятор, его необходимо немедленно заменить.
- Не разбирайте аккумулятор.
- Не оставляйте инструмент и аккумулятор под дождем.
- Допустимая температура окружающей среды (инструмент/зарядное устройство/аккумулятор):
  - при зарядке 4...40 °C
  - при эксплуатации -20...+50 °C
  - при хранении -20...+50 °C

#### ПОЯСНЕНИЕ К ОБОЗНАЧЕНИЯМ НА ИНСТРУМЕНТЕ

- ③ Перед использованием ознакомьтесь с инструкциями.
- ④ При попадании в огонь аккумулятор может

взорваться. Ни в коем случае не сжигайте аккумуляторы.

- ⑤ Храните инструмент, зарядное устройство и аккумулятор в таких местах, где температура не превышает 50 °C.
- ⑥ Не выбрасывайте электроприборы и аккумуляторы вместе с бытовыми отходами.

## ИСПОЛЬЗОВАНИЕ

- Зарядка аккумулятора
  - ! **Прочитайте все предупреждения и инструкции по технике безопасности, прилагаемые к зарядному устройству.**
- Извлечение и установка аккумулятора ②.
- Индикатор уровня заряда аккумулятора ⑦.
  - Нажмите кнопку индикатора уровня заряда аккумулятора АВ, чтобы увидеть текущий уровень заряда ⑦а.
  - ! **Если после нажатия кнопки АВ ⑦b начинает мигать самый нижний индикатор уровня заряда, то аккумулятор разряжен.**
  - ! **Если после нажатия кнопки АВ ⑦с начинают мигать 2 уровня индикатора заряда, то температура аккумулятора находится за пределами допустимого диапазона рабочих температур.**
- Светодиодная лампа Shadow Line ⑧
  - Инструмент оснащен светодиодной лампой Shadow Line, расположенной под верхним щитком. Это обеспечивает дополнительную подсветку пильного диска и поверхности заготовки. Светодиодная лампа проецирует тень пильного диска, направляя инструмент вдоль требуемой линии пропила, размеченной на заготовке.
  - ! **Всегда сначала тренируйтесь на ненужном куске материала.**
  - Светодиодная лампа автоматически включится при легком нажатии на курковый переключатель. Лампа выключается примерно через 10 секунд после отпускания куркового переключателя.
  - ! **В случае перегрузки или перегрева инструмента и (или) аккумулятора светодиодная лампа будет быстро мигать, а внутренние датчики отключат инструмент. Оставьте инструмент на некоторое время, чтобы он остыл, или поместите инструмент и аккумулятор по отдельности под поток воздуха, чтобы охладить их.**
  - ! **Медленное мигание светодиодной лампы указывает на низкий уровень заряда аккумулятора. Зарядите аккумулятор.**
  - Очиститель светодиодной лампы Х, встроженный в верхний щиток, предназначен для очистки светодиодной лампы. Если свет лампы потускнел из-за скопившихся на ней опилок, поверните очиститель Х в любом направлении, чтобы удалить опилки и снова сделать свет лампы ярким.
- Защита аккумулятора.
  - Инструмент внезапно выключается или не включается в следующих случаях.
    - **Нагрузка слишком высока** --> уменьшите нагрузку и выполните перезапуск.
    - **Температура аккумулятора вышла за пределы**

- допустимого диапазона рабочих температур от -20 до +50 °C** --> при нажатии кнопки АВ ⑦ с начинают мигать 2 уровня индикатора уровня заряда. Дождитесь, пока температура аккумулятора вернется в допустимый диапазон рабочих температур.
- **Аккумулятор почти разряжен (для защиты от глубокого разряда)** --> низкий уровень заряда аккумулятора или мигающий низкий уровень заряда аккумулятора ⑦ b отображается индикатором уровня заряда при нажатии кнопки АВ. Зарядите аккумулятор.
  - ! **Не нажимайте кнопку включения/выключения повторно после автоматического выключения инструмента, в противном случае это может привести к повреждению аккумулятора.**
  - Установка пильного диска AA ②.
  - ! **Извлеките аккумулятор из инструмента.**
  - Возьмите шестигранный ключ А из отсека для хранения В.
  - Нажмите кнопку блокировки шпинделя С и удерживайте ее нажатой все время, пока извлекаете крепежный болт D с помощью вращения шестигранного ключа А **ПО ЧАСОВОЙ СТРЕЛКЕ** (в направлении, указанном стрелкой на пильном диске).
  - ! **Нажимайте кнопку блокировки шпинделя С только при полной остановке инструмента.**
  - Отпустите кнопку блокировка шпинделя С.
  - Снимите фланец Е.
  - ! **Убедитесь, что зажимные поверхности Н на фланцах идеально чистые и обращены к пильному диску.**
  - Откройте нижний щиток F с помощью рычага G и удерживайте его во время установки пильного диска таким образом, чтобы зубцы пилы и стрелка, изображенная на пильном диске, были обращены в том же направлении, что и стрелка на нижнем щитке.
  - Отпустите нижний щиток F.
  - Установите фланец Е.
  - Нажмите кнопку блокировки шпинделя С и удерживайте ее, пока затягиваете болт D с помощью шестигранного ключа А на 1/8 оборота после затяжки пальцами (гарантирует проскальзывание пильного диска при избыточном сопротивлении материала, что снижает риск перегрузки двигателя и возникновения отдачи).
  - Отпустите кнопку блокировка шпинделя С.
  - Регулировка глубины резки (0–57 мм) ⑨
  - Ослабьте ручку К.
  - Поднимите или опустите основание J, чтобы установить желаемую глубину резки с помощью индикатора глубины пропила L.
  - Затяните ручку К.
  - Для обеспечения оптимального качества резки пильный диск не должен выступать из заготовки больше чем на один зубец.
  - Регулировка угла резки (0–45°) ⑩
  - Ослабьте ручку М.
  - Наклоняйте инструмент, пока на шкале с помощью индикатора N не будет установлен требуемый угол резки.

- Затяните ручку М.
- ! **При резке со скошенной кромкой глубина резки не соответствует значению на соответствующей шкале.**
- Указатель линии пропила P ⑪
- Используется для направления инструмента вдоль требуемой линии пропила, размеченной на заготовке.
- При прямой резке под углом 0° или при резке под углом 45° используйте соответствующий указатель.
- ! **Широкая сторона основания должна располагаться на закрепленной части заготовки.**
- ! **Ширина резки определяется шириной зубцов пильного диска, а не шириной полотна диска.**
- ! **Для проверки фактической линии резки обязательно сделайте пробный пропил.**
- Удаление пыли ⑫
- Прикрепите адаптер пылесоса R к отверстию для отвода пыли Q с помощью винта с головкой Phillips. Для использования пылесоса выполните следующее.
- Подсоедините шланг пылесоса к адаптеру для пылесоса R.
- ! **Следите за тем, чтобы шланг пылесоса не мешал нижнему щитку F или процессу резки.**
- Пылесборник
- Установите пылесборник AC. \*НЕ ВХОДИТ В СТАНДАРТНЫЙ КОМПЛЕКТ.
- Работа с инструментом
- Установите аккумулятор.
- Всегда крепко держитесь одной рукой за заднюю рукоятку S, а другой рукой — за переднюю рукоятку T.
- Поместите инструмент передним концом основания на заготовку.
- ! **Убедитесь, что зубцы пильного диска не касаются заготовки.**
- Чтобы включить инструмент, сначала нажмите на предохранительный выключатель W, а затем на курковый переключатель V.
- ! **Инструмент не должен работать на полной скорости, пока пильный диск не войдет в заготовку.**
- Нижний щиток F автоматически открывается, когда пильный диск прорезает заготовку (открывать нижний щиток вручную с помощью рычага G следует только в особых случаях, например при выполнении погружных распилов).
- ! **Не прикладывайте к инструменту чрезмерных усилий (нажим должен быть легким и равномерным, чтобы зубцы диска не перегрелись).**
- По окончании резки отключите инструмент, отпустив курковый переключатель Y.
- ! **Прежде чем поднимать инструмент с заготовки, убедитесь, что диск полностью остановился.**

## СОВЕТЫ ПО ИСПОЛЬЗОВАНИЮ

- Всегда располагайте заготовку лицевой стороной вниз, чтобы снизить количество сколов и трещин на ней.
- Используйте только острые пильные диски

подходящего типа ⑬.

- Качество реза увеличивается пропорционально количеству зубцов на пильном диске.
- Пильные диски с твердосплавными пластинами служат до 30 раз дольше, чем обычные пильные диски.

#### • Поперечная и продольная резка ⑭

Поперечные и продольные разрезы легко сделать с помощью параллельной направляющей Y.

- Совместите направляющую с отметкой 0° указателя линии пропила P на основании.
- Вставьте параллельную направляющую Y в пазы с обеих сторон основания на желаемую ширину и закрепите с помощью ручки Z.

**! Убедитесь, что направляющая планка не мешает свободному перемещению нижнего щитка и пильного диска.**

#### • Погружной распил ⑮

- Установите требуемую глубину пропила.
- Наклоните инструмент вперед, совместив указатель линии пропила P с размеченной на заготовке требуемой линией резки.
- Откройте нижний щиток F с помощью рычага G.
- Непосредственно перед тем, как режущий диск войдет в заготовку, включите инструмент и постепенно опускайте задний конец инструмента, используя переднюю кромку основания в качестве оси поворота
- Постепенно перемещайте инструмент вниз и вперед.
- Как только диск прорежет материал, отпустите рычаг G.

**! Никогда не оттягивайте инструмент назад.**

#### • Резка больших панелей ⑯

- Создайте опору для панели около линии пропила на полу, на столе или на верстаке.

**! Установите глубину пропила таким образом, чтобы прорезать панель, но не опору.**

- Если параллельная направляющая не позволяет установить желаемую ширину резки, прикрепите к заготовке (зажимами или гвоздями) деревянную планку и прижимайте к этой импровизированной направляющей правую сторону основания ⑰.

#### • Резка с помощью направляющей ⑱

**\*НЕ ВХОДИТ В СТАНДАРТНЫЙ КОМПЛЕКТ.**

Использование направляющей обеспечивает точные, прямые и аккуратные пропилы под углом 45° или 90°. Прежде чем сделать первый разрез с помощью направляющей, необходимо адаптировать резиную кромку к используемой циркулярной пиле.

- Для выполнения прямого разреза под углом 90° выровняйте сторону скоса 90° направляющей AD (или сторону скоса 45° при выполнении разреза под углом 45°) с желаемой линией разреза, отмеченной на заготовке.

- Надежно закрепите направляющую AD на заготовке с помощью зажимов направляющей AE ⑳. **\*НЕ ВХОДИТ В СТАНДАРТНЫЙ КОМПЛЕКТ.**

- Наденьте пилу на направляющую AD и убедитесь, что пила может свободно скользить по направляющей, не отклоняясь вбок.

- При регулировке глубины резания не забывайте

учитывать толщину направляющей AD.

- Равномерно направляйте пилу с низкой скоростью подачи через конец направляющей AD.
- Дополнительную информацию см. на сайте [www.skil.com](http://www.skil.com).

## ТЕХНИЧЕСКОЕ ОБСЛУЖИВАНИЕ И УХОД

- Это устройство не предназначено для профессионального использования.
- Всегда содержите инструмент в чистоте.  
**! Перед очисткой извлеките из инструмента аккумулятор.**
- Всегда очищайте область вокруг нижнего щитка F ② (удаляйте пыль и стружку с помощью сжатого воздуха или щетки).
- Производите чистку режущего диска сразу же после использования (особенно от смолы и клея).
- Если несмотря на тщательность изготовления и испытаний устройство выйдет из строя, его ремонт должен осуществляться в центре послепродажного обслуживания электроприборов SKIL.
  - Отправьте инструмент в разобранном виде вместе с документом, подтверждающим покупку, вашему дилеру или в ближайший сервисный центр SKIL. Адреса и сервисная схема инструмента приведены на сайте [www.skil.com](http://www.skil.com).
- Имейте в виду, что на повреждения, вызванные перегрузкой или неправильным обращением с инструментом, гарантия не распространяется (условия гарантии SKIL см. на сайте [www.skil.com](http://www.skil.com) или уточните у дилера).

## ЗАЩИТА ОКРУЖАЮЩЕЙ СРЕДЫ

Только для стран ЕС.

- **Не выбрасывайте электроинструменты, принадлежности и упаковку вместе с бытовыми отходами.**
  - В соответствии с Европейской директивой 2012/19/ЕС об отходах электрического и электронного оборудования и ее выполнением в соответствии с национальным законодательством электрические инструменты, отслужившие свой срок, должны собираться отдельно и доставляться на перерабатывающее предприятие, не наносящее ущерб окружающей среде.
  - Символ ㉑ напомним об этом, когда возникнет необходимость в утилизации.
- **! Перед утилизацией аккумулятора защитите его клеммы плотной изоляционной лентой для предотвращения короткого замыкания.**

## УРОВЕНЬ ШУМА И ВИБРАЦИИ

- Измеренный в соответствии со стандартом EN 62841 уровень звукового давления данного инструмента составляет 94 дБ (A), уровень звуковой мощности 102 дБ (A) (погрешность K = 3 дБ), а вибрация < 2,5 м/с<sup>2</sup> (суммарная трехкомпонентная вибрация; погрешность K = 1,5 м/с).
- Уровень вибрации был измерен в соответствии со стандартизированным испытанием, содержащимся в EN 62841, и может использоваться для сравнения



одного інструмента с другим, а також для попередньої оцінки впливу вібрації при використанні даного інструмента вказаних цілях.

- При використанні інструмента в інших цілях або з іншими або несправними приналежностями рівень вібрації може значно **підвищуватися**.
- Коли інструмент вимкнений або працює холосту, рівень вібрації може значно **знижуватися**.

**! Щоб захиститися від впливу вібрації, підтримуйте інструмент і його приналежності в справному стані, тримайте руки в теплі, а також правильно організовуйте робочий процес.**

UA

## Безщіткова циркулярна пила 3551

### ВСТУП

- Інструмент призначений для поздовжнього та поперечного різання деревини прямими пропилами, а також під кутом до 45°
- Цей інструмент не придатний для професійного використання
- Прочитайте і збережіть цю інструкцію з експлуатації <sup>③</sup>.

### ТЕХНІЧНІ ДАНІ <sup>①</sup>

### ЕЛЕМЕНТИ ІНСТРУМЕНТА <sup>②</sup>

- A** Шестигранний ключ
- B** Місце зберігання для шестигранного ключа
- C** Кнопка блокування шпинделя
- D** Болт
- E** Фланець
- F** Нижній обмежувач
- G** Важіль для відкриття нижнього обмежувача
- H** Затискна поверхня
- J** Притискна пластина
- K** Ручка встановлення глибини різання
- L** Індикатор глибини різання
- M** Ручка для регулювання кута розрізу
- N** Індикатор кута різання
- P** Показчик лінії різання
- Q** Порт пілозбірника
- R** Адаптер пілососа
- S** Задня ручка
- T** Передня ручка
- U** Паз для прямої рейки
- V** Пусковий перемикач
- W** Захисний вимикач
- X** Диск для очищення світлодіода
- Y** Пряма планка
- Z** Ручка для встановлення прямої планки
- AA** Лезо пили
- AB** Індикатор рівня заряду акумулятора
- AC** Мішок для пилу\*

**AD** Пряма рейка\*

**AE** Затискач прямої рейки\*

\* СТАНДАРТНО В КОМПЛЕКТ НЕ ВКЛЮЧАЄТЬСЯ

## БЕЗПЕКА

### ЗАГАЛЬНІ ВКАЗІВКИ З ТЕХНІКИ БЕЗПЕКИ

**⚠ ПОПЕРЕДЖЕННЯ** Прочитайте всі попередження безпеки, інструкції, ілюстрації та характеристики, надані з цим електроінструментом. Недотримання наведених нижче вказівок може спричинити ураження електричним струмом, пожежу та/або серйозні травми.

**Зберігайте всі попередження та інструкції для використання в майбутньому.**

Термін «електроінструмент» у попередженнях стосується електричного інструмента, що працює від електромережі (через шнур) або від акумулятора (без шнура).

#### 1) БЕЗПЕКА В РОБОЧІЙ ЗОНІ

- Робоче місце має бути чистим і гарно освітленим.** Неприбрана або погано освітлена робоча зона може стати причиною нещасного випадку.
- Не працюйте з інструментом у вибухонебезпечному середовищі, наприклад за наявності легкозаймистих рідин, газів або пилу.** Під час роботи електроприладу утворюються іскри, від яких можуть зайнятися пил або випари.
- Дітям і спостерігачам заборонено перебувати поруч з електроінструментом, що працює.** Це може відволікати вас і призвести до втрати контролю.

#### 2) ЕЛЕКТРИЧНА БЕЗПЕКА

- Штепсельні вилки електроінструмента мають підходити до розеток. Заборонено модифікувати вилку будь-яким чином.** Не використовуйте жодні перехідники для роботи із заземленими електроінструментами. Використання штепселів і розеток, у які не вносилися зміни, зменшує ризик ураження електричним струмом.
- Уникайте контакту частин тіла із заземленими поверхнями, такими як труби, батареї, плити й холодильники.** У разі заземлення тіла збільшується ризик ураження електричним струмом.
- Бережіть електроінструмент від дощу та вологи.** Вода, що потрапила в електроінструмент, підвищує ризик ураження електричним струмом.
- Поводьтесь обережно зі шнуром живлення. Не використовуйте шнур живлення для перенесення чи перетягування інструмента та виймання вилки з розетки.** Бережіть шнур живлення від джерел тепла, мастил, гострих країв та рухомих частин. Пошкоджені або заплутані шнури живлення підвищують ризик ураження електричним струмом.
- Під час роботи з електроінструментом надворі використовуйте подовжувач, призначений для зовнішніх робіт.** Використання подовжувача, призначеного для зовнішніх робіт, зменшує ризик ураження електричним струмом.

- f) **Якщо роботи з електроінструментом у вологому середовищі не уникнути, скористайтеся пристроєм захисного вимкнення (ПЗВ).** Використання ПЗВ зменшує ризик ураження електричним струмом.
- 3) ІНДИВІДУАЛЬНА ТЕХНІКА БЕЗПЕКИ**
- a) **Під час роботи з електроінструментом будьте уважними, слідуйте за своїми діями та мисліть розсудливо. Не працюйте з електроінструментом, якщо ви втомлені або перебуваєте під дією наркотичних речовин, алкоголю або ліків.** Навіть миттєва втрата пильності під час роботи з електроінструментами може стати причиною важкої травми.
- b) **Використовуйте засоби особистого захисту. Завжди носіть засоби захисту очей.** Використання у відповідних умовах таких захисних засобів, як протипиловий респіратор, неслизьке захисне взуття, шолом-каска і навушники допоможе зменшити ризик травмування.
- c) **Уникайте випадкового запуску інструмента. Перш ніж підключати електроінструмент до мережі живлення чи акумулятора, брати чи переносити його, перевірте, чи встановлено перемикач у положення «вимкнено».** Якщо переносити електроінструмент, тримаючи палець на вимикачі, або підключати його до джерела живлення, коли вимикач перебуває в положенні «увімкнено», це може призвести до травмування.
- d) **Перш ніж вмикати електроінструмент, слід зняти всі регульовальні клинці або гайкові ключі.** Якщо залишити такий ключ на рухомій частині електроінструмента, це може призвести до травмування.
- e) **Не дотягуйтеся. Завжди міцно стійте на ногах і втримуйте рівновагу.** Це дає змогу краще керувати електроінструментом у разі виникнення непередбачуваних ситуацій.
- f) **Одягайтеся належним чином. Не носіть вільний одяг або біжутерію.** Стежте за тим, щоб волосся та одяг не потрапили на рухомі частини. Вільний одяг, біжутерія або довге волосся можуть потрапити в рухомі частини.
- g) **Якщо пристрій обладнано системою видалення пилу, переконайтеся, що її правильно підключено і що ви використовуєте її належним чином.** Використання пристрою для збирання пилу може зменшити небезпеку, пов'язану з пилом.
- h) **Не дозволяйте навичкам, отриманим після частого використання інструментів, змусити вас стати самовпевненими та ігнорувати принципи безпеки інструмента.** Недбала дія може спричинити серйозну травму протягом доли секунди.
- 4) ВИКОРИСТАННЯ ТА ДОГЛЯД ЗА ЕЛЕКТРОІНСТРУМЕНТОМ**
- a) **Не застосовуйте силу до електроінструмента. Використовуйте належний електроінструмент відповідно до потреби.** Правильно підібраний електроінструмент допоможе краще і безпечніше зробити роботу зі швидкістю, яка для неї передбачена.
- b) **Не використовуйте електроінструмент, якщо перемикач не вмикає або не вимикає його.** Усі електроінструменти, якими неможливо керувати за допомогою перемикача, становлять небезпеку й підлягають ремонту.
- c) **Перш ніж провідити будь-які налаштування, замініуйте аксесуари або перед зберіганням слід вимкнути штепсель із джерела живлення та/або вийняти з інструмента акумулятор, якщо він знімний.** Такі запобіжні заходи техніки безпеки зменшують ризик випадкового запуску електроінструмента.
- d) **Зберігайте інструменти, що не використовуються, подалі від дітей і не дозволяйте особам, які не мають досвіду роботи з такими інструментами або не знайомі з цією інструкцією, користуватися електроінструментом.** Електроінструменти становлять небезпеку в руках недосвідчених користувачів.
- e) **Доглядайте за електроінструментами та аксесуарами. Перевіряйте їх на предмет розладнання чи блокування рухомих частин, а також будь-яких обставин, які можуть вплинути на роботу електроінструмента. У разі пошкодження електроінструмент слід здати в ремонт, перш ніж користуватися ним.** Часто нещасні випадки трапляються внаслідок неналежного технічного обслуговування електроінструментів.
- f) **Тримайте ріжучі інструменти гострими й чистими.** Належним чином доглянуті ріжучі інструменти з гострими ріжучими кінцями рідше блокуються, і ними легше керувати;
- g) **Користуйтеся електроінструментом, аксесуарами та насадками для інструмента згідно з цією інструкцією, зважаючи на робочі умови та роботу, яку слід виконати.** Використання електроінструмента не за призначенням може стати причиною виникнення небезпечних ситуацій.
- h) **Підтримуйте рунів'я та захватні поверхні сухими, чистими, без жиру і бруду.** Слизькі ручки та захватні поверхні не дають змоги безпечно тримати та керувати інструментом у непередбачених ситуаціях.
- 5) ВИКОРИСТАННЯ І ДОГЛЯД ЗА АКУМУЛЯТОРНИМ ІНСТРУМЕНТОМ**
- a) **Заряджайте лише за допомогою зарядного пристрою, вказаного виробником.** Зарядний пристрій, який підходить для акумуляторів одного виду, може спричинити ризик пожежі у випадку його використання з іншим акумулятором.
- b) **З електроінструментами слід використовувати лише призначені для них акумуляторні батареї.** Використання будь-яких інших акумуляторних батарей може призвести до травми або пожежі.
- c) **Клім батарея не використовується, її слід тримати окремо від металевих предметів – затискачів паперу, монет, ключів, цвяхів, шурупів та інших дрібних предметів, які можуть замкнути клім.** Коротке замикання клім акумулятора може стати причиною опіків чи пожежі.
- d) **У надто важких умовах експлуатації з акумулятора може витікати рідина; не доторкайтесь до неї. Якщо випадково ви все**

- ж торкнулися її, слід промити це місце водою. Якщо рідина потрапила в очі, слід також звернутися до лікаря. Рідина, яка виступає з акумулятора, може спричинити подразнення або опіки.
- e) **Не використовуйте акумуляторну батарею або інструмент, які пошкоджено або змінено.** Пошкоджені або змінені батареї можуть мати непередбачувану поведінку, що може спричинити пожежу, вибух або ризик травмування.
  - f) **Не піддавайте акумуляторну батарею або інструмент дії вогню або високих температур.** Вогонь або температура вище 130 °C може спричинити вибух.
  - g) **Дотримуйтесь усіх інструкцій щодо заряджання та не заряджайте акумуляторну батарею або інструмент за межами температурного діапазону, зазначеного в інструкціях.** Зарядження неналежним чином або при температурах за межами вказаного діапазону може пошкодити акумулятор і збільшити ризик виникнення пожежі.
- 6) СЕРВІС**
- a) **Обслуговування електроінструмента повинен виконувати кваліфікований ремонтник із використанням лише ідентичних запасних частин.** Це забезпечить нормальну роботу електроінструмента.
  - b) **Ніколи не ремонтуйте пошкоджені акумулятори.** Сервісне обслуговування акумуляторних батарей має виконувати лише виробник або авторизовані постачальники послуг.

## ВКАЗІВКИ З ТЕХНІКИ БЕЗПЕКИ ДЛЯ БЕЗШІТКОВИХ ЦИРКУЛЯРНИХ ПИЛ

### ВКАЗІВКИ ЩОДО БЕЗПЕКИ ДЛЯ ВСІХ ПИЛ

- a) **⚠ НЕБЕЗПЕКА.** Тримайте руки подалі від місця різання та леза. Тримайте другу руку на допоміжній ручці або корпусі мотора. Якщо тримати пилу обома руками, ви не зможете порізатися лезом.
- b) **Не просовуйте руки під заготовку.** Обмежувач не захистить вас від леза під заготовкою.
- c) **Відрегулюйте глибину різання відповідно до товщини заготовки.** Зубці пили мають лише частково виглядати з-під заготовки.
- d) **Ніколи не тримайте заготовку в руках або поперек ноги під час різання.** Закріпіть заготовку на стійкій платформі. Важливо правильно розташувати заготовку, щоб звести до мінімуму можливість контакту пили з частинами тіла, заїдання леза пили або втрати контролю.
- e) **Під час роботи, коли робочий інструмент може зачепити захвану електророзводку, тримайте електроінструмент за ізольовані рукоятки.** Контакт із дротом під напругою призведе до появи напруги в металевих частинах електроінструмента, що може призвести до ураження оператора електричним струмом.
- f) **Під час розпилювання завжди використовуйте напрямну планку або напрямну для краю.** Це підвищує точність різання та знижує ймовірність заклинювання леза.

- g) **Завжди використовуйте леза з правильним розміром і формою (ромбоподібні або круглі) отвори для осі.** Леза, що не відповідають монтажному обладнанню пили, рухатимуться не по центру, що призведе до втрати контролю.
- h) **Ніколи не використовуйте пошкоджені шайби або болти леза.** Шайби та болт леза були спеціально розроблені для вашої пили, щоб забезпечити оптимальну продуктивність і безпеку роботи.

## ДОДАТКОВІ ВКАЗІВКИ З ТЕХНІКИ БЕЗПЕКИ ДЛЯ ВСІХ ПИЛ

### ПРИЧИНИ ВІДДАЧІ ТА ВІДПОВІДНІ ПОПЕРЕДЖЕННЯ

- віддача – це неочікувана реакція на защемлення, заїдання або неправильне центрування леза пили, що викликає неконтрольованих рух пили вгору від заготовки та в напрямку оператора;
- коли лезо защемлене або міцно застрягло в розрізі деревини, воно перестає обертатися, тож мотор спричиняє швидкий рух інструмента назад у напрямку оператора;
- якщо лезо зігнулося в розрізі або погано відцентроване, зубці в задній частині пили можуть глибоко входити в поверхню деревини, в результаті чого лезо виходить з розрізу та відлітає назад в напрямку оператора.

Віддача – це результат неправильного використання пили та недотримання належної техніки та умов експлуатації; цьому можна запобігти, як зазначено нижче.

- a) **Міцно тримайте пилу двома руками й розмістіть руки так, щоб протистояти силі віддачі.** Станьте з будь-якого боку від леза, але не на одній лінії з лезом. Віддача може призвести до того, що пила відскочить назад, але сила віддачі може контролюватися оператором, якщо вжито належних запобіжних заходів.
- b) **Коли лезо заїдає або з будь-якої причини перериває різання, відпустіть курок і утримуйте пилу нерухомо в матеріалі, дони лезо не зупиниться повністю.** Ніколи не намагайтеся приборати пилу із заготовки або витягнути пилу назад, коли лезо перебуває в русі, інакше може статися віддача. Дослідіть і виконайте коригувальні дії для усунення причини заклинювання леза.
- c) **Під час перезапуску пили в заготовці розмістіть лезо пили по центру в пропилі так, щоб зубці пили не входили в матеріал.** Якщо лезо пили заїдає, воно може піднятися або відскочити від заготовки під час перезапуску пили.
- d) **Закріплюйте великі панелі, щоб мінімізувати ризик защемлення леза та віддачі.** Великі панелі мають здатність прогинатися під власною вагою. Опори мають бути розміщені під панеллю з обох боків, поблизу лінії різання та біля краю панелі.
- e) **Не використовуйте тупі або пошкоджені леза.** Не зачеплені або неправильно встановлені леза утворюють вузький розріз та викликають надмірне тертя, спричиняючи заїдання леза та віддачу.
- f) **Фіксуючі важелі регулювання глибини леза та сносу мають бути затягнуті та надійно закріплені**

перед різанням. Якщо регулювання леза зміщується під час різання, це може призвести до заїдання та віддачі.

- g) **Будьте особливо обережні під час розпилювання в стінах або в інших місцях, у які ви не можете зазирнути.** Лезо, яке виступає, може розрізати предмети, що може спричинити віддачу.

#### **ФУНКЦІЯ НИЖНЬОГО ОБМЕЖУВАЧА**

- a) **Перед кожним використанням перевіряйте правильність закриття нижнього обмежувача. Забороняється використовувати пилку, якщо нижній обмежувач не рухається вільно та одразу не закривається** Забороняється фіксувати чи прив'язувати нижній обмежувач у відкритому положенні. Якщо пилка випадково впала, нижній обмежувач може зігнутися. Підніміть нижній обмежувач за допомогою рукоятки, що втягується, і переконайтеся, що він переміщується вільно і не торкається леза або будь-якої іншої деталі при будь-яких кутах і глибинах різання.

- b) **Перевірте роботу пружини нижнього обмежувача. Якщо обмежувач і пружина не працюють належним чином, їх необхідно відремонтувати перед використанням.** Нижній обмежувач може працювати повільно через пошкоджені деталі, смолисті відкладення або скупчення сміття.

- c) **Нижній обмежувач можна прибрати вручну лише для особливих пропилів, таких як «занурювальні пропили» та «складні пропили».** Підніміть нижній обмежувач за рукоятку, що втягується, і коли лезо ввійде в матеріал, нижній обмежувач має бути звільнений. Для інших видів пиляння нижній обмежувач має працювати автоматично.

- d) **Завжди стенце за тим, щоб нижній обмежувач закривав лезо, перед тим як ставити пилу на лавку або підлогу.** Лезо без обмежувача, що рухається за інерцією, змусять пилу рухатись назад, зрізаючи все на своєму шляху. Зважайте на час, необхідний для зупинки леза після відпускання перемикача.

#### **ЗАГАЛЬНІ**

- Цей інструмент не можна використовувати особам віком до 16 років.
- Цей інструмент не підходить для мокрого різання.
- **Не обробляйте матеріали, що містять асбест** (асбест вважається канцерогенним).
- Пил від таких матеріалів, як фарба з вмістом свинцю, деякі породи дерева, мінерали й метал, може бути шкідливим (контакт із таким пилом або його вдихання може стати причиною виникнення в оператора або осіб, що перебувають поруч, алергійних реакцій і/або респіраторних захворювань); **надягайте респіратор і працюйте з пиловиділяючим пристроєм під час роботи з інструментом.**
- Деякі види пилу класифікуються як канцерогенні (наприклад, дубовий або буковий пил), особливо в сполученні з добавками для кондиціонування деревини; **надягайте респіратор і працюйте з пиловиділяючим пристроєм під час роботи з інструментом.**
- Дотримуйтесь інструкцій із роботи з матеріалами, що утворюють пил.

- Не використовуйте цю пилу разом із пиляльним столом.
- Виймайте акумулятор з інструмента перед виконанням будь-яких регулювань або заміною частин та приладдя.

#### **АНКСЕСУАРИ**

- SKIL гарантує надійну роботу інструмента тільки за умови використання відповідного приладдя.
- Використовуйте лише приладдя, припустима швидкість обертання якого найнайменш відповідає найвищій швидкості інструмента без навантаження.
- Використовуйте лише леза пили, що відповідають характеристикам, зазначеним в цій інструкції, перевірені за EN 847-1 та мають відповідне маркування.
- Використовуйте тільки дискові пили діаметром 165 мм з отвором для шпидцеля 16 мм.
- Ніколи не використовуйте шліфувальні/відрізні диски з цим інструментом.

#### **ПЕРЕД ВИКОРИСТАННЯМ**

- Не допускайте пошкоджень, які можуть нанести шурупи, цвяхи та інші елементи вашої заготовки; видаліть їх перед початком роботи.
- Видаліть усі перешкоди зверху та знизу траєкторії різання, перш ніж почати різання.
- **Зафіксуйте оброблювану деталь** (оброблювана деталь, зафіксована за допомогою затискних пристроїв або лещат, закріплюється краще, ніж вручну).
- **Використовуйте придатні пошукові прилади для знаходження захованих в будівлі труб та кабелів або зверніться за допомогою в місцеве підприємство електро-, газо- та водопостачання** (зачеплення електропроводки може призводити до пожежі та удару електричним струмом; зачеплення газової труби може призводити до вибуху; зачеплення водопровідної труби може завдати шкоду матеріальним цінностям або призводити до удару електричним струмом).

#### **ПІД ЧАС ВИКОРИСТАННЯ**

- Рівень шуму під час роботи може перевищувати 85 дБ(А); носіть засоби захисту вух.
- Ніколи не використовуйте інструмент без оригінальної системи захисту.
- Не намагайтеся розрізати дуже маленькі заготовки.
- Не працюйте інструментом над головою.
- У разі заклинювання або електричної чи механічної несправності негайно вимкніть інструмент і вийміть акумулятор.

#### **ПІСЛЯ ВИКОРИСТАННЯ**

- Коли ви відкладаєте інструмент, вимкніть мотор і переконайтесь, що всі його рухомі частини повністю зупинились.
- Після вимкнення циркулярної пили ніколи не зупиняйте обертання леза пили під дією бічної сили.

#### **АКУМУЛЯТОРИ**

- **Акумулятор, який постачається в комплекті** (якщо є), є частково зарядженим (повністю зарядіть акумулятор у зарядному пристрої перед першим використанням свого електроінструмента, щоб забезпечити повну потужність акумулятора)
- **Використовуйте з інструментом тільки такі акумулятори і зарядні пристрої**
  - Акумулятор SKIL: BR1\*31\*\*\*\*
  - Зарядний пристрій SKIL: CR1\*31\*\*\*\*

- Не використовуйте пошкоджений акумулятор; негайно від'єднайте його.
- Не розбирайте акумулятор.
- Виключіть можливість потрапляння дощу на інструмент або акумулятор.
- Допустима температура навколишнього середовища (інструмент/зарядний пристрій/акумулятор):
  - під час зарядження 4 - 40°C
  - під час роботи -20 - +50°C
  - під час зберігання -20 - +50°C

## ПОЯСНЕННЯ СИМВОЛІВ НА ІНСТРУМЕНТІ

- ③ Перед використанням прочитайте інструкцію з використання.
- ④ Акумулятори можуть вибухнути в разі потрапляння у вогонь, тому в жодному разі не спалюйте акумулятори
- ⑤ Зберігайте інструмент/зарядний пристрій/акумулятор при температурі не більшій 50°C
- ⑥ Не викидайте електроінструмент і батареї разом зі звичайним сміттям

## ВИКОРИСТАННЯ

- Зарядження акумулятора
  - ! **ознайомтеся з попередженнями та інструкціями з техніки безпеки, які надаються із зарядним пристроєм**
- Зняття/встановлення акумулятора ②
- Індикатор рівня заряду акумулятора ⑦
  - натисніть кнопку індикатора рівня заряду акумулятора АВ, щоб побачити поточний рівень заряду ⑦а
  - ! **коли найнижчий рівень індикатора заряду акумулятора блимає після натискання кнопки АВ ⑦b, акумулятор розряджено**
  - ! **коли 2 рівні індикатора заряду акумулятора починають блимати після натискання кнопки АВ ⑦c, акумулятор перебуває за межами допустимого діапазону робочих температур**
- Світлодіодне підсвічування лінії тіні ⑧
  - Ваш інструмент оснащений світлодіодним підсвічуванням лінії тіні, розташованим під верхнім захисним кожухом.
  - Це забезпечує додаткове освітлення деза пили та поверхні заготовки.
  - Світлодіодне підсвічування проєкціює тінь від леза пили для спрямування інструмента вздовж потрібної лінії розрізу, позначеної на заготовці.
  - ! **завжди спочатку тестуйте на взірці металобрухту**
  - Світлодіодний ліхтар автоматично вмикається легким натисканням на тригерний перемикач. Він вимкнеться приблизно через 10 секунд після того, як ви відпустите тригерний перемикач.
  - ! **світлодіодний індикатор буде швидко блимати, коли інструмент і/або акумуляторна батарея будуть перевантажені або перегріті, а внутрішні датчики вимкнуть інструмент. Покладіть інструмент на деякий час відпочити або помістіть інструмент і акумуляторну батарею окремо під потік повітря для охолодження.**
  - ! **світлодіодний індикатор блиматиме повільніше, вказуючи на низький рівень заряду акумулятора. Зарядіть акумуляторну батарею.**

Диск для чищення світлодіода Х, вбудований у верхній захисний кожух, призначений для чищення світлодіодного ліхтаря. Коли світлодіодна лампа тьмяніє через накопичення тирси, поверніть диск для очищення світлодіода Х у будь-якому напрямку, щоб видалити тирсу та знову зробити світлодіоди яскравими.

- Захист акумулятора
  - Інструмент раптово вимикається або його не можна ввімкнути, коли
    - **навантаження занадто високе** -- > приберіть навантаження і перезавантажте
    - **температура акумулятора не перебуває в допустимому діапазоні робочих температур від -20 до +50°C** -- > 2 рівні індикатора заряду акумулятора починають блимати під час натискання кнопки АВ ⑦c; зачекайте, доки акумулятор не повернеться в допустимий діапазон робочих температур
    - **батарею майже розряджено (для захисту від глибокого розряду)** --> низький рівень заряду батареї або блимання низького рівня заряду батареї ⑦b показано індикатором рівня заряду батареї під час натискання кнопки АВ; зарядіть акумулятор
    - ! **не продовжуйте роботу та не натискайте вмикач після автоматичного вимкнення інструмента; такими діями можна пошкодити акумулятор**
- Підготовка леза пили АА ②
  - ! **виймайте акумулятор з інструмента**
  - візьміть шестигранний ключ А з контейнера В
  - натисніть кнопку блокування шпинделя С та утримуйте її, доки не знімете болт D, повертаючи шестигранний ключ А **ЗА ГОДИННИКОВОЮ СТІЛКОЮ** (= у напрямку стрілки, зображеної на лезі пили)
  - ! **натискайте кнопку блокування шпинделя С, тільки коли інструмент повністю зупинений**
  - відпустіть кнопку блокування шпинделя С
  - видаліть фланець Е
  - ! **переконайтеся, що затисні поверхні Н фланців ідеально чисті та звернені до леза**
  - відкрийте нижній обмежувач F за допомогою важеля G та утримуйте його, поки ви монтуєте лезо пили, встановлюючи його таким чином, щоб зубці пили та стрілка на лезі вказували в тому ж напрямку, що й стрілка на нижньому обмежувачі
  - відпустіть нижній обмежувач F
  - установіть фланець Е
  - натисніть кнопку блокування шпинделя С та утримуйте її, доки не затягнете болт D шестигранним ключем А на 1/8 оберту після того, як доведеться докласти ручного зусилля (забезпечте проковзування леза пили, коли воно стикається з надмірним опором, що забезпечує зменшення перевантаження мотора та віддачі пили)
  - відпустіть кнопку блокування шпинделя С
- Регулювання глибини різання (0–57 мм) ⑨
  - послабте ручку К
  - піднімайте/опускайте притиску пластину J, доки на шкалі не буде встановлена бажана глибина

- різання за допомогою індикатора глибини різання L
- затягніть ручку K
- для отримання оптимальної якості розпилювання лезо пили не має виглядати з-під заготовки більше, ніж на один зубець
- Регулювання кута різання (0–45°) <sup>(10)</sup>
  - послабте ручку M
  - нахиліть інструмент до отримання необхідного кута розрізу, що встановлюється на шкалі за допомогою індикатора кута розрізу N
  - затягніть ручку M
- ! під час фацетування глибина розрізу не відповідає значенню глибини розрізу, що встановлене на шкалі
- Покажчик лінії різання P <sup>(11)</sup>
  - для спрямування інструменту поздовж необхідній лінії розрізу, яка накреслена на заготовці
  - для прямого різання під кутом 0° або різання під кутом 45° використовуйте відповідну індикаторну лінію
- ! широка частина притисної пластини має спиратися на частину виробу, що міститься на опорі
- ! ширина розрізу визначається шириною зубців пили, а не шириною самого полотна пили
- ! завжди спочатку робіть пробні розпили, щоб перевірити лінію пропили
- Пиловловлювання <sup>(12)</sup>
  - Прикріпіть адаптер пилососа R до порту пилозбірника Q за допомогою гвинта з хрестоподібною головкою
  - Щоб користуватись пилососом, необхідно
  - підключити шланг пилососа до адаптера пилососа R
- ! не допускайте, щоб шланг пилососа заважав функціонуванню нижнього обмежувача F або розпилюванню
- Мішок для пилу
  - кріплення мішка для пилу AC \*НЕ ВХОДЯТЬ У СТАНДАРТНУ КОМПЛЕКТАЦІЮ
- Використання інструмента
  - установіть акумулятор
  - завжди міцно тримайте задню ручку S однією рукою та міцно тримайте передню ручку T іншою рукою
  - поставте інструмент передньою частиною притисної пластини на заготовку
- ! переконайтеся, що зубці пили не застрягли в виробі
- вмикайте інструмент спочатку натисканням на вимикач-запобіжник W, а потім на курок-вимикач V
- ! перш, ніж лезо пили торкнеться виробу, інструмент має працювати на повну швидкість
- нижній обмежувач F відкривається автоматично, коли лезо пили торкається заготовки (тільки в разі виконання особливого розрізу, такого як врізання, можна відкрити нижній обмежувач вручну за допомогою важеля G)
- ! використовуючи інструмент, не дондайте надмірного зусилля (зусилля має бути помірним та постійним, щоб запобігти перегріванню вістря леза)
- виконавши розпил, вимкніть інструмент,

відпустивши тригерний перемикач V  
**! перш ніж прибрати інструмент від заготовки переконайтеся, що пила остаточно зупинилась**

## ПОРАДИ ІЗ ЗАСТОСУВАННЯ

- Завжди спрямовуйте заготовку лицьовою стороною донизу, щоб забезпечити мінімальне розщеплення.
- Використовуйте лише гострі леза пили відповідного типу <sup>(13)</sup>
  - якість різання покращується за рахунок кількості зубців
  - леза з твердосплавними наконечниками залишаються гострими до 30 разів довше, ніж звичайні леза
- Поперечні/поздовжні пропили <sup>(14)</sup>
  - Поперечні або поздовжні пропили легко виконувати за допомогою паралельної напрямної Y.
  - сумістіть напрямну з індикатором 0° лінії різання P на притисній пластині
  - вставте паралельну напрямну Y через прорізи з обох боків притисної пластини на потрібну ширину та закріпіть рукою Z
- ! переконайтеся, що напрямна планка не заважає вільному руху нижнього обмежувача та леза пили
- Врізне пиляння <sup>(15)</sup>
  - установіть бажану глибину різання
  - нахиліть інструмент уперед таким чином, щоб покажчик лінії різання P збігався з лінією необхідного розрізу, позначеною на заготовці
  - відкритий нижній обмежувач F за допомогою важеля G
  - перш ніж лезо торкнеться заготовки, увімкніть інструмент та поступово опускайте задню частину інструмента, використовуючи передню частину притисної пластини як точку шарніра
  - поступово рухайте інструмент вниз і вперед
  - як тільки лезо торкнеться матеріалу, відпустіть важіль G
- ! ніколи не відтягуйте інструмент назад
- Розрізання великих панелей <sup>(16)</sup>
  - опорна панель поруч із вирізом на підлозі, столі або верстаті
- ! встановіть глибину розрізу таким чином, щоб розрізати панель, а не опору
- якщо напрямна планка не дозволяє виконати розріз потрібної ширини, прикріпіть або прибийте цвяхами до заготовки пряму дерев'яну планку в якості напрямної та притискайте до неї правий бік притисної пластини <sup>(17)</sup>
- Різання за допомогою напрямної рейки <sup>(19)</sup>
  - \*СТАНДАРТНО В КОМПЛЕКТ НЕ ВКЛЮЧАЄТЬСЯ
  - Використання напрямної рейки забезпечує точні, прямі та акуратні пропили зі скосом під кутом 45° або 90°.
  - Перед виконанням першого пропили за допомогою напрямної рейки гумова кромка має бути адаптована до циркулярної пили, що використовується.
  - для прямого пропили під кутом 90° сумістіть сторону скосу 90° рейки AD (або сторону скосу 45° у разі різання під кутом 45°) із бажаною лінією різання, зазначеною на заготовці.
  - надійно закріпіть напрямну AE на заготовці за

допомогою затискачів напрямної рейки АЕ 18  
\*НЕ ВХОДИТЬ У СТАНДАРТНИЙ КОМПЛЕКТ  
ПОСТАЧАННЯ

- покладіть пилу на напрямну рейку AD, переконайтеся, що пила може вільно ковзати по рейці, не розгойдуючись убік.
- під час установалення глибини різання не забудьте врахувати товщину напрямної рейки AD.
- ведіть пилу рівномірно з повільною подачею через кінець напрямної рейки AD.
- Дивіться додаткову інформацію на сайті [www.skil.com](http://www.skil.com)

## ДОГЛЯД / ОБСЛУГОВУВАННЯ

- Цей інструмент не придатний для професійного використання.
- Завжди тримайте інструмент у чистоті.  
**! виймайте акумулятор з інструмента перед очищенням**
- Тримайте область навколо нижнього обмежувача F 2 в чистоті (видаляйте пил та стружки за допомогою стисненого повітря або щітки).
- Очистьте лезо пили відразу після використання (особливо від смоли та клею).
- Якщо інструмент вийде з ладу, незважаючи на ретельні процедури виготовлення та випробувань, ремонт має виконуватись у центрі післяпродажного обслуговування електроінструментів SKIL.
  - надішліть нерозібраний інструмент разом із доказом купівлі до свого дилера або до найближчого центру обслуговування SKIL (адреси, а також схема для обслуговування пристрою, подаються на сайті [www.skil.com](http://www.skil.com))
- Візьміть до відома, що ушкодження внаслідок перевантаження або неналежного поводження з інструментом не будуть включені в гарантію (умови гарантії SKIL див. на сайті [www.skil.com](http://www.skil.com) або довідайтесь в дилера у вашою регіоні).

## ОХОРОНА ДОВКІЛЛЯ

Тільки для країн ЄС

- **Не викидайте електроінструмент, аксесуари та упановану разом зі звичайним сміттям**
  - відповідно до європейської директиви 2012/19/ЄС щодо утилізації старих електричних та електронних приладів, згідно з місцевим законодавством, електроінструмент, який перебував в експлуатації, має бути утилізований окремо, безпечним для довкілля шляхом
  - символ 6 нагадуватиме вам про це, коли виникне необхідність в утилізації
- ! перед тим як позбутись акумулятора: заклейте грубою клейкою стрічкою клемми, щоб запобігти короткому замиканню**

## ШУМ / ВІБРАЦІЯ

- Рівень звукового тиску цього інструмента, який вимірюється відповідно до EN 62841, становить 94 дБ(А), рівень звукової потужності 102 дБ(А) (похибка K = 3 дБ), а вібрація <2,5 м/с<sup>2</sup> (векторна сума трьох осей; похибка K = 1,5 м/с<sup>2</sup>)
- Рівень вібрації було виміряно згідно зі

стандартизованим випробуванням, що міститься в EN 62841; ця характеристика може використовуватися для порівняння одного інструмента з іншим, а також для попередньої оцінки впливу вібрації під час застосування інструмента для вказаних цілей

- у разі використання інструмента в інших цілях або з іншими/несправними допоміжними пристосуваннями рівень впливу вібрації може значно **підвищуватися**.
- у періоди, коли інструмент вимкнений або функціонує без фактичного виконання роботи, рівень впливу вібрації може значно **знижуватися**.

**! захищайте себе від впливу вібрації, підтримуючи інструмент і його допоміжні пристосування в справному стані, підтримуючи руки в теплі, а також правильно організовуючи свій робочий процес**

GR

## Δισκοπρίονο χωρίς ψήκτρεις

3551

### ΕΙΣΑΓΩΓΗ

- Αυτό το εργαλείο προορίζεται για κατά μήκος και εγκάρσια κοπή ξύλου με ευθείες τομές, καθώς και με γωνιακές τομές έως 45°
- Αυτό το εργαλείο δεν προορίζεται για επαγγελματική χρήση
- Διαβάστε και αποθηκεύστε αυτό το εγχειρίδιο οδηγιών 3.

## ΤΕΧΝΙΚΑ ΧΑΡΑΚΤΗΡΙΣΤΙΚΑ 1

### ΜΕΡΗ ΤΗΣ ΜΗΧΑΝΗΣ 2

- A Εξάγωνο κλειδί
- B Θήκη αποθήκευσης εξάγωνου κλειδιού
- C Κουμπί ασφάλισης της ατράκτου
- D Μπουλόνι
- E Φλάντζα
- F Κάτω προστατευτικό
- G Μοχλός για το άνοιγμα του κάτω προστατευτικού
- H Επφάνεια σύσφιξης
- J Πλάκα πέλματος
- K Κουμπί ρύθμισης βάθους κοπής
- L Ένδειξη βάθους κοπής
- M Κουμπί ρύθμισης γωνίας κοπής
- N Ένδειξη γωνίας κοπής
- P Ένδειξη γραμμής κοπής
- Q Θύρα εξαγωγής σκόνης
- R Προσαρμογέας ηλεκτρικής σκούπας
- S Πίσω χειρολαβή
- T Μπροστινή χειρολαβή
- U Υποδοχή ράγας οδηγού
- V Διακόπτης-σκανδάλης
- W Διακόπτης ασφαλείας
- X Ένδειξη καθαρισμού LED
- Y Οδηγός παράλληλης κοπής
- Z Κουμπί για ρύθμιση παράλληλου οδηγού
- AA Λεπίδα πριονιού

- AB** Α'Ενδειξη κατάστασης μπαταρίας  
**AC** ΑΣάκος συλλογής σκόνης\*  
**AD** ΑΡάγα οδηγού\*  
**AE** ΑΣφικτήρας ράγας οδηγού\*  
\* ΔΕΝ ΠΕΡΙΛΑΜΒΑΝΕΤΑΙ ΣΤΟ ΒΑΣΙΚΟ ΕΞΟΠΛΙΣΜΟ

## ΑΣΦΑΛΕΙΑ

### ΓΕΝΙΚΕΣ ΠΡΟΕΙΔΟΠΟΙΗΣΕΙΣ ΑΣΦΑΛΕΙΑΣ ΓΙΑ ΜΗΧΑΝΕΣ

**Α** ΠΡΟΕΙΔΟΠΟΙΗΣΗ Μελετήστε όλες τις προειδοποιήσεις ασφάλειας, τις οδηγίες, τις εικόνες και τις προδιαγραφές που συνοδεύουν αυτό το ηλεκτρικό εργαλείο. Εάν δεν τηρηθούν όλες οι οδηγίες που αναφέρονται παρακάτω, μπορεί να προκληθεί ηλεκτροπληξία, πυρκαγιά και/ή σοβαρός τραυματισμός.

**Φυλάξτε όλες τις προειδοποιήσεις και τις οδηγίες για μελλοντική αναφορά.**

Ο όρος «ηλεκτρικό εργαλείο» στις προειδοποιήσεις αναφέρεται στο ηλεκτρικό σας εργαλείο που λειτουργεί είτε με σύνδεση σε πρίζα (ενσύρματα) είτε με μπαταρίες (ασύρματα).

#### 1) ΑΣΦΑΛΕΙΑ ΣΤΟ ΧΩΡΟ ΕΡΓΑΣΙΑΣ

- Διατηρείτε το χώρο εργασίας καθαρό και καλά φωτισμένο.** Οι ακατάστατοι χώροι και οι χώροι με κακό φωτισμό ενισχύουν την πιθανότητα ατυχημάτων.
- Μην χρησιμοποιείτε ηλεκτρικά εργαλεία σε εκρηκτική ατμόσφαιρα, για παράδειγμα, παρουσία εύφλεκτων υγρών, αερίων ή σκόνης.** Τα ηλεκτρικά εργαλεία δημιουργούν σπινθήρες που μπορεί να αναφλέξουν τη σκόνη ή τις αναθυμιάσεις.
- Διατηρείτε τα παιδιά και τους παρευρισκόμενους μακριά, όταν χρησιμοποιείτε το ηλεκτρικό εργαλείο.** Εάν κάτι αποσπάσει την προσοχή σας, μπορεί να χάσετε τον έλεγχο.

#### 2) ΗΛΕΚΤΡΙΚΗ ΑΣΦΑΛΕΙΑ

- Το φως του ηλεκτρικού εργαλείου πρέπει να ταιριάζει στην πρίζα. Μην τροποποιήσετε ποτέ και με κανέναν τρόπο το φως. Μην χρησιμοποιείτε κανενός είδους βύσματα προσαρμογών με γειωμένα ηλεκτρικά εργαλεία.** Τα μη τροποποιημένα φως και οι κατάλληλες πρίζες μειώνουν τον κίνδυνο ηλεκτροπληξίας.
  - Αποφεύγετε την επαφή με γειωμένες επιφάνειες, όπως σωλήνες, θερμαντικά σώματα, εστίες και ψυγεία.** Υπάρχει αυξημένος κίνδυνος ηλεκτροπληξίας όταν το σώμα σας είναι γειωμένο.
  - Μην εκθέτετε τα ηλεκτρικά εργαλεία σε βροχή ή υγρασία.** Εάν εισχωρήσει νερό στο ηλεκτρικό εργαλείο θα αυξηθεί ο κίνδυνος ηλεκτροπληξίας.
  - Μην κακομεταχειρίζεστε το καλώδιο. Μην χρησιμοποιείτε ποτέ το καλώδιο για να μεταφέρετε, να τραβήξετε ή να αποσυνδέσετε το ηλεκτρικό εργαλείο από την πρίζα.** Διατηρείτε το καλώδιο μακριά από θερμότητα, λάδια, αιχμηρές γωνίες ή κινούμενα εξαρτήματα. Τα κατεστραμμένα ή μπλεγμένα καλώδια αυξάνουν τον κίνδυνο ηλεκτροπληξίας.
  - Όταν χρησιμοποιείτε ένα ηλεκτρικό εργαλείο σε εξωτερικό χώρο, χρησιμοποιείτε καλώδιο προέκτασης κατάλληλο για χρήση σε εξωτερικούς χώρους.** Τα καλώδια που είναι κατάλληλα για εξωτερικό χώρο περιορίζουν τον κίνδυνο ηλεκτροπληξίας.
  - Εφόσον δεν μπορείτε να αποφύγετε τη χρήση του ηλεκτρικού εργαλείου σε περιοχή με υγρασία, χρησιμοποιείτε τροφοδοσία με διάταξη προστασίας ρεύματος διαρροής (RCD).** Η χρήση διάταξης RCD μειώνει τον κίνδυνο ηλεκτροπληξίας.
- #### 3) ΠΡΟΣΩΠΙΚΗ ΑΣΦΑΛΕΙΑ
- Να βρίσκεστε πάντα σε εγρήγορση, να προσέχετε τι κάνετε και να εφαρμόζετε κοινή λογική όταν χρησιμοποιείτε ηλεκτρικά εργαλεία. Μην χρησιμοποιείτε κανένα ηλεκτρικό εργαλείο όταν είστε κουρασμένοι ή υπό την επήρεια ναρκωτικών, αλκοόλ ή φαρμάκων.** Όταν χρησιμοποιείτε ηλεκτρικά εργαλεία, μια στιγμή απροσεξίας μπορεί να προκαλέσει σοβαρό τραυματισμό.
  - Χρησιμοποιείτε μέσα ατομικής προστασίας. Φοράτε πάντα προστατευτικά για τα μάτια.** Η χρήση των κατάλληλων μέσων ατομικής προστασίας, όπως, μάσκα προστασίας από τη σκόνη, αντιολισθητικών παπουτσιών ασφαλείας, κράνους ή ωτοασπίδων, μειώνει τον κίνδυνο τραυματισμού.
  - Λαμβάνετε μέτρα για να μην ενεργοποιηθεί κατά λάθος το ηλεκτρικό εργαλείο. Βεβαιώνετε ότι ο διακόπτης βρίσκεται στη θέση απενεργοποίησης (OFF) προτού να συνδέσετε το ηλεκτρικό εργαλείο στο ρεύμα ή/και στη συστοιχία μπαταριών, ή όταν σηκώνετε ή μεταφέρετε το εργαλείο.** Μην μεταφέρετε το ηλεκτρικό εργαλείο με το δάκτυλο στο διακόπτη και μη συνδέετε το ηλεκτρικό εργαλείο στην πρίζα με ανοικτό το διακόπτη, διότι αυξάνεται ο κίνδυνος ατυχήματος.
  - Προτού ενεργοποιήσετε το ηλεκτρικό εργαλείο, αφαιρείτε οποιοδήποτε εργαλείο ή κλειδί ρύθμισης.** Εάν το εργαλείο ρύθμισης ή το κλειδί παραμείνει συνδεδεμένο στο περιστρεφόμενο εξάρτημα του ηλεκτρικού εργαλείου, μπορεί να προκληθεί τραυματισμός.
  - Μην τεντώνετε υπερβολικά για να πραγματοποιήσετε την εργασία. Πατάτε πάντα σταθερά και διατηρείτε την ισορροπία σας.** Έτσι θα ελέγχετε καλύτερα το ηλεκτρικό εργαλείο σε περίπτωση απροσδόκων καταστάσεων.
  - Φοράτε κατάλληλα ρούχα. Μη φοράτε φαρδιά ρούχα ή κοσμήματα. Διατηρείτε τα μαλλιά και τα ρούχα σας μακριά από κινούμενα μέρη.** Τα φαρδιά ρούχα, τα κοσμήματα ή τα μακριά μαλλιά ενδέχεται να εμπλακούν σε κινούμενα μέρη.
  - Εάν υπάρχει δυνατότητα σύνδεσης συσκευών απομάκρυνσης και συλλογής της σκόνης, βεβαιωθείτε ότι αυτές οι συσκευές έχουν συνδεθεί και χρησιμοποιούνται σωστά.** Αυτές οι συσκευές μπορούν να περιορίσουν τους κίνδυνους που σχετίζονται με τη σκόνη.
  - Ακόμα κι εάν χρησιμοποιείτε συχνά ηλεκτρικά εργαλεία, μην εφησυχάζετε και μην παραβλέπετε τις βασικές αρχές ασφαλείας.** Μια στιγμή απροσεξίας μπορεί να οδηγήσει σε σοβαρό τραυματισμό.



#### 4) ΧΡΗΣΗ ΚΑΙ ΦΡΟΝΤΙΔΑ ΤΟΥ ΗΛΕΚΤΡΙΚΟΥ ΕΡΓΑΛΕΙΟΥ

- a) **Μην ζορίζετε το ηλεκτρικό εργαλείο. Χρησιμοποιείτε το κατάλληλο ηλεκτρικό εργαλείο για την εκάστοτε εργασία.** Η εργασία θα πραγματοποιηθεί καλύτερα και ασφαλέστερα εάν χρησιμοποιηθεί το κατάλληλο ηλεκτρικό εργαλείο και στην ταχύτητα για την οποία έχει σχεδιαστεί.
- b) **Μην χρησιμοποιήσετε το ηλεκτρικό εργαλείο εάν δεν μπορείτε να το ενεργοποιήσετε και να το απενεργοποιήσετε από το διακόπτη.** Οποιοδήποτε ηλεκτρικό εργαλείο δεν επιδέχεται έλεγχο από το διακόπτη είναι επικίνδυνο και απαιτεί επισκευή.
- c) **Αποσυνδέστε το φως από την πηγή ρεύματος και/ή αφαιρέστε τη συστοιχία μπαταριών, εφόσον είναι αποσπώμενη, από το ηλεκτρικό εργαλείο προτού να κάνετε οποιαδήποτε ρύθμιση, να αλλάξετε εξαρτήματα ή να αποθηκεύσετε το ηλεκτρικό εργαλείο.** Χάρη σε τέτοια προληπτικά μέτρα περιορίζεται ο κίνδυνος να ενεργοποιηθεί κατά λάθος το ηλεκτρικό εργαλείο.
- d) **Αποθηκεύετε τα ηλεκτρικά εργαλεία που δεν χρησιμοποιείτε σε μέρος όπου δεν έχουν πρόσβαση τα παιδιά και μην αφήνετε άτομα που δεν είναι εξοικειωμένα με το ηλεκτρικό εργαλείο ή αυτές τις οδηγίες να το χρησιμοποιήσουν.** Τα ηλεκτρικά εργαλεία είναι επικίνδυνα στα χέρια ατόμων που δεν έχουν εκπαιδευτεί στη χρήση τους.
- e) **Συντηρείτε σωστά τα ηλεκτρικά εργαλεία και τα βοηθητικά τους εξαρτήματα. Ελέγχετε για κακή ευθυγράμμιση ή εμπλοκή των κινούμενων εξαρτημάτων, για σπασμένα εξαρτήματα και για κάθε άλλη κατάσταση που μπορεί να επηρεάσει τη λειτουργία του ηλεκτρικού εργαλείου.** Εάν το ηλεκτρικό εργαλείο έχει υποστεί ζημιά, επισκευάστε το προτού να το χρησιμοποιήσετε. Πολλά ατυχήματα οφείλονται σε πλημμελώς συντηρημένα ηλεκτρικά εργαλεία.
- f) **Διατηρείτε τα εργαλεία κοπής αιχμηρά και καθαρά.** Τα εργαλεία κοπής που έχουν συντηρηθεί σωστά και διαθέτουν αιχμηρές κόψεις είναι λιγότερο πιθανό να μπλοκάρουν, ενώ ο έλεγχός τους είναι ευκολότερος.
- g) **Χρησιμοποιείτε το ηλεκτρικό εργαλείο, τα παρελκόμενα, τις μύτες, κτλ., σύμφωνα με αυτές τις οδηγίες, λαμβάνοντας υπόψη τις συνθήκες εργασίας και την προς εκτέλεση εργασία.** Η χρήση ενός ηλεκτρικού εργαλείου για λειτουργίες διαφορετικές από αυτές για τις οποίες προορίζεται μπορεί να οδηγήσει σε επικίνδυνες καταστάσεις.
- h) **Διατηρείτε τις λαβές και τις επιφάνειες συγκράτησης του εργαλείου στεγνές και καθαρές, χωρίς λάδια και γράσα.** Εάν γλιστρούν οι λαβές και οι επιφάνειες συγκράτησης δε θα μπορούσατε να χειριστείτε με ασφάλεια το εργαλείο, ούτε θα μπορούσατε να το ελέγξετε σε περίπτωση που προκύψει κάποια απροσδόκητη κατάσταση.

#### 5) ΧΡΗΣΗ ΚΑΙ ΦΡΟΝΤΙΔΑ ΤΟΥ ΕΡΓΑΛΕΙΟΥ ΜΕ ΜΠΑΤΑΡΙΑ

- a) **Επαναφορτίζετε το ηλεκτρικό εργαλείο μόνο με το φορτιστή που έχει καθορίσει ο κατασκευαστής.** Οι φορτιστές που είναι κατάλληλοι για κάποιο συγκεκριμένο τύπο συστοιχίας μπαταριών μπορεί να προκαλέσουν πυρκαγιά εάν χρησιμοποιηθούν με άλλον

τύπο.

- b) **Χρησιμοποιείτε το ηλεκτρικό εργαλείο μόνο με τη συγκεκριμένη συστοιχία μπαταριών που προορίζεται για αυτό.** Εάν χρησιμοποιηθεί οποιαδήποτε άλλη συστοιχία μπαταριών, μπορεί να προκληθεί τραυματισμός και πυρκαγιά.
- c) **Όταν η συστοιχία μπαταριών δεν χρησιμοποιείται, φυλάσσετε την μακριά από μεταλλικά αντικείμενα, όπως, συνδετήρες, κέρματα, κλειδιά, καρφιά, βίδες ή άλλα μικρά μεταλλικά αντικείμενα, τα οποία μπορεί να δημιουργήσουν σύνδεση μεταξύ των ακροδεκτών.** Το βραχυκύκλωμα των ακροδεκτών της συστοιχίας μπαταριών μεταξύ τους ενδέχεται να προκαλέσει εγκαύματα ή πυρκαγιά.
- d) **Σε συνθήκες κακής χρήσης, μπορεί να διαρρεύσει υγρό από τη συστοιχία μπαταριών. Αποφύγετε την επαφή με αυτό.** Σε περίπτωση τυχαίας επαφής, ξεπλύνετε καλά με νερό. Εάν το υγρό έρθει σε επαφή με τα μάτια, αναζητήστε επιπλέον ιατρική βοήθεια. Το υγρό που διαρρέει από τη συστοιχία μπαταριών μπορεί να προκαλέσει ερεθισμό ή εγκαύματα.
- e) **Μην χρησιμοποιείτε τη συστοιχία μπαταριών ή το εργαλείο εάν έχουν υποστεί ζημιά ή έχουν τροποποιηθεί.** Οι συστοιχίες μπαταριών που έχουν υποστεί ζημιά ή τροποποιηθεί μπορεί να έχουν απρόβλεπτη συμπεριφορά και να προκληθεί πυρκαγιά, έκρηξη ή τραυματισμός.
- f) **Η συστοιχία μπαταριών και το ηλεκτρικό εργαλείο δεν πρέπει να εκτίθενται σε φωτιά ή υπερβολικά υψηλές θερμοκρασίες.** Η έκθεση σε φωτιά ή θερμοκρασία πάνω από 130 °C μπορεί να προκαλέσει έκρηξη.
- g) **Θυρείτε όλες τις οδηγίες φόρτισης και μη φορτίζετε τη συστοιχία μπαταριών ή το ηλεκτρικό εργαλείο εκτός του εύρους θερμοκρασίας που καθορίζεται στις οδηγίες.** Εάν η φόρτιση δε γίνει σωστά ή πραγματοποιηθεί σε θερμοκρασία εκτός του καθορισμένου εύρους, η συστοιχία μπαταριών μπορεί να υποστεί ζημιά και να αυξηθεί ο κίνδυνος πυρκαγιάς.
- #### 6) ΣΕΡΒΙΣ
- a) **Το ηλεκτρικό εργαλείο πρέπει να επισκευάζεται μόνο από εξειδικευμένο επαγγελματία, χρησιμοποιώντας μόνο πανομοιότυπα ανταλλακτικά.** Με αυτόν τον τρόπο διασφαλίζεται η ασφαλής λειτουργία του ηλεκτρικού εργαλείου.
- b) **Μην επιχειρήσετε ποτέ να επισκευάσετε συστοιχία μπαταριών που έχει υποστεί ζημιά. Η συστοιχία μπαταριών πρέπει να επισκευάζεται μόνο από τον κατασκευαστή ή από εξουσιοδοτημένα κέντρα σέρβις.**

#### ΟΔΗΓΙΕΣ ΑΣΦΑΛΕΙΑΣ ΓΙΑ ΔΙΣΚΟΠΡΙΟΝΑ ΧΩΡΙΣ ΨΗΚΤΕΣΣ

#### ΟΔΗΓΙΕΣ ΑΣΦΑΛΕΙΑΣ ΓΙΑ ΟΛΑ ΤΑ ΠΡΙΟΝΙΑ

- a)  **ΚΙΝΔΥΝΟΣ:** Διατηρείτε τα χέρια μακριά από την περιοχή κοπής και τη λάμα. Διατηρείτε το δεύτερο χέρι σας πάνω στη βοηθητική λαβή ή το περίβλημα κινητήρα. Εάν κρατάτε το πριόνι και με τα δύο χέρια, δεν κινδυνεύουν να κοπούν με τη λάμα.
- b) **Μην βάζετε τα χέρια σας κάτω από το τεμάχιο**

**επεξεργασίας.** Ο προφυλακτήρας δεν μπορεί να σας προστατεύσει από τη λεπίδα κάτω από το τεμάχιο επεξεργασίας.

- c) **Προσαρμόστε το βάθος κοπής στο πάχος του τεμαχίου επεξεργασίας.** Λιγότερη από μια πλήρης οδόντωση των οδοντώσεων λεπίδας πρέπει να είναι ορατή κάτω από το τεμάχιο επεξεργασίας.
- d) **Ποτέ μην κρατάτε το τεμάχιο επεξεργασίας στα χέρια σας ή πάνω στα πόδια σας ενώ κόβετε. Ασφαλίστε το τεμάχιο επεξεργασίας σε μια σταθερή βάση.** Είναι σημαντικό να υποστηρίζετε σωστά το κατεργαζόμενο τεμάχιο, ώστε να ελαχιστοποιηθεί η έκθεση του σώματος, το μπλοκάρισμα της λάμας ή η απώλεια ελέγχου.
- e) **Κρατάτε το ηλεκτρικό εργαλείο από τις μονωμένες λαβές, όταν πραγματοποιείτε εργασίες όπου το εργαλείο κοπής μπορεί να έρθει σε επαφή με κρυφές καλωδιώσεις.** Η επαφή με ηλεκτροφόρα καλώδια ενδέχεται να καταστήσει τα εκτεθειμένα μεταλλικά μέρη του ηλεκτρικού εργαλείου επίσης ηλεκτροφόρα, με συνέπεια να προκληθεί ηλεκτροπληξία στο χειριστή.
- f) **Κατά την απόσχιση, χρησιμοποιείτε πάντα οδηγό απόσχισης ή οδηγό ευθείας ακμής.** Έτσι βελτιώνεται η ακρίβεια κοπής και μειώνεται η πιθανότητα μπλοκάρισματος της λεπίδας.
- g) **Χρησιμοποιείτε πάντοτε λεπίδες με το κατάλληλο μέγεθος και σχήμα (λεπίδα διαμαντινού έναντι στρογγυλής λεπίδας) οπών άξονα.** Οι λάμες που δεν ταιριάζουν με το υλικό τοποθέτησης του δισκοπριονίου, θα αποκλίνουν από το κέντρο, προκαλώντας απώλεια ελέγχου.
- h) **Ποτέ μην χρησιμοποιείτε φθαρμένες ή λάθος ροδέλες ή μπουλόνια λαμών.** Οι ροδέλες και τα μπουλόνια των λαμών είναι ειδικά σχεδιασμένα για το πριόνι σας, με σκοπό τη βέλτιστη απόδοση και ασφάλεια λειτουργίας.

## ΠΕΡΑΙΤΕΡΩ ΟΔΗΓΙΕΣ ΑΣΦΑΛΕΙΑΣ ΓΙΑ ΟΛΑ ΤΑ ΠΡΙΟΝΙΑ

### ΑΙΤΙΕΣ ΑΝΤΙΛΑΚΤΙΣΗΣ ΚΑΙ ΣΧΕΤΙΚΕΣ ΠΡΟΕΙΔΟΠΟΙΗΣΕΙΣ

- Το λάκτισμα είναι μια ξαφνική αντίδραση σε μια μαγκωμένη, μπλοκαρισμένη ή λάθος ευθυγραμμισμένη πριονολεπίδα, που προκαλεί ανεξέλεγκτη ανύψωση και έξοδο του πριονιού από το τεμάχιο επεξεργασίας με κατεύθυνση προς το χειριστή.
- Όταν η λεπίδα είναι σφιχτά μαγκωμένη ή μπλοκαρισμένη στην εγκοπή που κλείνει, η λεπίδα παρεμποδίζεται και η αντίδραση του κινητήρα οδηγεί τη μονάδα με ταχύτητα πίσω προς το χειριστή.
- Εάν η λεπίδα συστραφεί ή είναι λάθος ευθυγραμμισμένη στην κοπή, η οδόντωση στην πίσω άκρη της λεπίδας μπορεί να διεισδύσει στην άνω επιφάνεια του ξύλου προκαλώντας σκαρφάλωμα της λεπίδας στην κοπή και αναπήδηση πίσω στον χειριστή.

Η αντίλακτηση αποτελεί συνέπεια λανθασμένης χρήσης ή λάθος διαδικασιών ή συνθηκών χειρισμού του πριονιού και μπορεί να αποφευχθεί, λαμβάνοντας τα κατάλληλα προληπτικά μέτρα, όπως περιγράφεται παρακάτω.

- a) **Διατηρείτε σταθερή λαβή και με τα δύο χέρια στο**

**πριόνι και τοποθετείτε τα χέρια σας με τέτοιο τρόπο, ώστε να αντιστέκεστε στις δυνάμεις αντίλακτησης. Τοποθετείτε το σώμα σας σε οποιαδήποτε πλευρά της λάμας, ωστόσο ποτέ σε ευθεία με αυτήν.** Η αντίλακτηση μπορεί να ωθήσει το πριόνι απότομα προς τα πίσω, ωστόσο οι δυνάμεις αντίλακτησης μπορούν να ελεγχθούν από το χειριστή, εφόσον ληφθούν τα κατάλληλα μέτρα.

- b) **Όταν η λάμα είναι μαγκωμένη ή η κοπή διακόπτεται για οποιοδήποτε λόγο, αποδεδεμεύετε τη σκανδάλη ενεργοποίησης και διατηρείτε ακίνητο το πριόνι μέσα στο υλικό, ώπου να ακινητοποιηθεί πλήρως η λάμα. Μην επιχειρήσετε ποτέ να αφαιρέσετε το πριόνι από το τεμάχιο επεξεργασίας ή να τραβήξετε το πριόνι προς τα πίσω ενώ η λεπίδα κινείται, αλλιώς μπορεί να προκληθεί λάκτισμα.** Διερευνήστε και λάβετε διορθωτικά μέτρα για να εξαλειψίσετε την αιτία του μαγκώματος λεπίδας.
- c) **Κατά την επανεκκίνηση ενός πριονιού στο τεμάχιο επεξεργασίας, κεντράρετε τη λεπίδα του πριονιού στην κοπή κατά τρόπο ώστε οι οδοντώσεις του πριονιού να μην μαγκώνουν στο υλικό.** Εάν η λεπίδα πριονιού μαγκώσει, μπορεί να σκαρφλώσει ή να κλωστήσει από το τεμάχιο επεξεργασίας καθώς επανεκκινείται το πριόνι.
- d) **Υποστηρίζετε τα μεγάλα πάνελ για να ελαχιστοποιείτε τον κίνδυνο μαγκώματος ή αντίλακτησης της λεπίδας.** Τα μεγάλα πάνελ τείνουν να κρέμονται λόγω του βάρους τους. Οι υποστηρίξεις πρέπει να τοποθετούνται κάτω από το πάνελ και στις δύο πλευρές, κοντά στη γραμμή κοπής και στην άκρη του πάνελ.
- e) **Μη χρησιμοποιείτε στομαχικές ή φθαρμένες λάμες.** Οι ατρόχιστες ή ακατάλληλα τοποθετημένες λεπίδες δημιουργούν ρηχή κοπή που προκαλεί υπερβολική τριβή, εμπλοκή της λεπίδας και αντίλακτηση.
- f) **Οι μοχλοί ασφάλισης ρύθμισης βάθους λάμας και λοξοτομής πρέπει να είναι καλά συσφιγμένοι και ασφαλείς προτού πραγματοποιήσετε την κοπή.** Εάν η ρύθμιση της λάμας μετατοπιστεί κατά τη διάρκεια της κοπής, μπορεί να προκληθεί μάγκωμα και αντίλακτηση.
- g) **Να είστε ιδιαίτερα προσεκτικοί κατά το πριόνισμα σε υπάρχοντες τοίχους ή άλλες τυφλές περιοχές.** Η λάμα που προεξέχει μπορεί να κόψει αντικείμενα που μπορεί να προκαλέσουν αντίλακτηση.

### ΛΕΙΤΟΥΡΓΙΑ ΤΟΥ ΚΑΤΩ ΠΡΟΣΤΑΤΕΥΤΙΚΟΥ

- a) **Ελέγχετε το κάτω προστατευτικό για σωστό κλείσιμο πριν από κάθε χρήση. Μην χειρίζεστε το πριόνι εάν το κάτω προστατευτικό δεν κινείται ελεύθερα και κλείνει αμέσως. Ποτέ μην σφίγγετε τη συνδέση το κάτω προστατευτικό στην ανοιχτή θέση.** Εάν το πριόνι πέσει κατά λάθος, το κάτω προστατευτικό μπορεί να στραβώσει. Σηκώστε το κάτω προστατευτικό με τη λαβή ανάστροφης και εξασφαλίστε ότι κινείται ελεύθερα και δεν αγγίζει τη λεπίδα ή οποιοδήποτε άλλο εξάρτημα, σε όλες τις γωνίες και τα βάθη κοπής.
- b) **Ελέγξτε τη λειτουργία του κάτω ελατήριου προστατευτικού. Εάν το προστατευτικό και το ελατήριο δεν λειτουργούν σωστά, πρέπει πριν**

τη χρήση να υποβληθούν σε συντήρηση. Το κάτω προστατευτικό μπορεί να λειτουργεί με δυσκολία λόγω φθαρμένων εξαρτημάτων, κολλωδών εναποθέσεων ή συσώρευσης υπολειμμάτων.

- c) Το κάτω προστατευτικό μπορεί να ανασυρθεί χειροκίνητα μόνο για ειδικές κοπές όπως «βυθισμένες κοπές» ή «πολλαπλές κοπές». Σηκώστε το κάτω προστατευτικό από τη λαβή ανάσυρσης και μόλις η λάμα εισέλθει στο υλικό, αποδεσμεύστε το κάτω προστατευτικό. Για όλα τα άλλα είδη κοπής, το κάτω προστατευτικό πρέπει να λειτουργεί αυτόματα.
- d) **Βεβαιώστε ότι το κάτω προστατευτικό καλύπτει τη λάμα προτού να αποθέσετε το πριόνι στον πάγκο ή το δάπεδο.** Μια απροστάτευτη, λεπίδα που κινείται ελεύθερα μπορεί να προκαλέσει κίνηση του πριονιού προς τα πίσω, κλονώντας ότι συναντάει στη διαδρομή του. Λαμβάνετε υπόψη το χρόνο που χρειάζεται η λάμα για να σταματήσει αφότου αποδεσμευτεί ο διακόπτης.

## ΓΕΝΙΚΑ

- Αυτό το εργαλείο δεν πρέπει να χρησιμοποιείται από άτομα κάτω των 16 ετών.
- Αυτό το εργαλείο δεν είναι κατάλληλο για υγρή κοπή.
- **Μην κατεργάζεστε υλικά που περιέχουν αμιάντο** (ο αμιάντος θεωρείται καρκινογόνος)
- Η σκόνη από υλικά όπως μογονιές που περιέχουν μόλυβδο, ορισμένα είδη ξύλου, ανόργανα στοιχεία και μέταλλα μπορεί να είναι επιβλαβή (η επαφή ή η εισπνοή της σκόνης μπορεί να προκαλέσει αλλεργικές αντιδράσεις ή/και αναπνευστικές ασθένειες στο χειριστή ή σε παριστάμενους). **Φοράτε μάσκα προστασίας από τη σκόνη και χρησιμοποιείτε συσκευή απορόφησης σκόνης, εφόσον υπάρχει δυνατότητα σύνδεσης**
- Ορισμένα είδη σκόνης ταξινομούνται ως καρκινογόνα (όπως η σκόνη από δρυ ή οξιά) ιδιαίτερα σε συνδυασμό με πρόσθετα συντήρησης ξύλου. **Φοράτε μάσκα προστασίας από τη σκόνη και χρησιμοποιείτε συσκευή απορόφησης σκόνης, εφόσον υπάρχει δυνατότητα σύνδεσης.**
- Τηρείτε τις σχετικές με σκόνη εθνικές διατάξεις για τα υλικά που θέλετε να χρησιμοποιήσετε.
- Μην χρησιμοποιείτε αυτό το πριόνι σε συνδυασμό με πάγκο πριονιού
- Αφαιρείτε την μπαταρία από το εργαλείο προτού να κάνετε οποιαδήποτε ρύθμιση ή αλλάξετε παρελκόμενα

## ΠΑΡΕΛΚΟΜΕΝΑ

- Η SKIL εγγυάται την τέλεια λειτουργία του εργαλείου μόνο όταν χρησιμοποιούνται αυθεντικά εξαρτήματα.
- Χρησιμοποιείτε μόνο παρελκόμενα των οποίων η επιτρεπόμενη ταχύτητα ισούται τουλάχιστον με τη μέγιστη ταχύτητα χωρίς φορτίο του εργαλείου.
- Χρησιμοποιείτε μόνο προιονολάμες που ανταποκρίνονται στα τεχνικά χαρακτηριστικά που αναφέρονται σε αυτές τις οδηγίες χρήσης, και οι οποίες έχουν ελεγχθεί και επισημανθεί σύμφωνα με το πρότυπο EN 847-1
- Χρησιμοποιείτε μόνο προιονολάμες με διάμετρο 165 mm και οπή άξονα 16 mm.
- Μην χρησιμοποιείτε ποτέ δίσκους τροχίσματος/κοπής με αυτό το εργαλείο.

## ΠΡΙΝ ΑΠΟ ΤΗ ΧΡΗΣΗ

- Αποφύγετε ζημιές από βίδες, καρφιά και άλλα στοιχεία που ενδέχεται να υπάρχουν στο τεμάχιο επεξεργασίας, αφαιρώντας τα προτού ξεκινήσετε την εργασία.

- Αφαιρείτε όλα τα εμπόδια επάνω και κάτω από τη γραμμή κοπής, προτού να ξεκινήσετε την κοπή.
- **Ασφαλίξτε το τεμάχιο επεξεργασίας** (αυτό συγκρατείται ασφαλέστερα με σφικκτήρες ή μέγγενη παρά με τα χέρια).
- **Χρησιμοποιείτε κατάλληλες συσκευές ανίχνευσης για να εντοπίσετε κρυφές γραμμές ρεύματος, αερίου ή νερού ή καλέστε την τοπική επιχείρηση κοινής ωφελείας για βοήθεια** (η επαφή με καλώδια ρεύματος μπορεί να οδηγήσει σε πυρκαγιά ή ηλεκτροπληξία, ενώ οι ζημιές σε αγωγούς αερίου μπορεί να οδηγήσουν σε έκρηξη, και η διάτρηση ενός σωλήνα νερού θα προκαλέσει υλικές ζημιές ή ηλεκτροπληξία)

## ΚΑΤΑ ΤΗ ΔΙΑΡΚΕΙΑ ΤΗΣ ΧΡΗΣΗΣ

- Το επίπεδο θορύβου κατά τη διάρκεια της εργασίας μπορεί να ξεπεράσει τα 85 dB(A). Φοράτε ωτοασπίδες.
- Μην χρησιμοποιείτε ποτέ το εργαλείο χωρίς το γνήσιο σύστημα καλύπτρας.
- Μην επιχειρήσετε να κόψετε εξαιρετικά μικρά τεμάχια επεξεργασίας.
- Μην χρησιμοποιείτε το εργαλείο σε ύψος πάνω από το κεφάλι σας.
- Σε περίπτωση εμπλοκής, ηλεκτρικής ή μηχανικής δυσλειτούργιας, απενεργοποιείτε αμέσως το εργαλείο και αφαιρέστε την μπαταρία.

## ΜΕΤΑ ΤΗ ΧΡΗΣΗ

- Όταν πρόκειται να αποθηκεύσετε το εργαλείο, απενεργοποιείτε τον κινητήρα και βεβαιώστε ότι όλα τα κινούμενα μέρη του έχουν ακινητοποιηθεί πλήρως.
- Αφού απενεργοποιήσετε το δισκοπρίονο, μην επιχειρήσετε ποτέ να σταματήσετε την περιστροφή της προιονολάμας εφαρμόζοντας εγκάρσια δύναμη σε αυτήν.

## ΜΠΑΤΑΡΙΕΣ

- **Η παρεχόμενη μπαταρία είναι μερικώς φορτισμένη** (για να διασφαλιστεί η μέγιστη ισχύς της μπαταρίας, φορτίστε την πλήρως με τον φορτιστή της πριν από τη χρήση του εργαλείου σας για πρώτη φορά)
- **Χρησιμοποιείτε μόνο τις ακόλουθες συστοιχίες μπαταριών και τους φορτιστές**
  - Μπαταρία SKIL: BR1\*31\*\*\*\*
  - Φορτιστής SKIL: CR1\*31\*\*\*\*
- Μην χρησιμοποιείτε τη συστοιχία μπαταριών όταν έχει υποστεί βλάβη. Πρέπει να την αντικαταστήσετε αμέσως.
- Μην αποσυρμαρμολογείτε την μπαταρία.
- Μην εκθέτετε το εργαλείο/την μπαταρία στη βροχή.
- Επιτρεπόμενη θερμοκρασία περιβάλλοντος (εργαλείο/φορτιστής/συστοιχία μπαταριών):
  - κατά τη διάρκεια της φόρτισης 4...40°C
  - κατά τη διάρκεια της λειτουργίας -20...+50°C
  - κατά τη διάρκεια της αποθήκευσης -20...+50°C

## ΕΠΕΞΗΓΗΣΗ ΣΥΜΒΟΛΩΝ ΣΤΟ ΗΛΕΚΤΡΙΚΟ ΕΡΓΑΛΕΙΟ

- ③ Διαβάστε το εγχειρίδιο οδηγιών πριν από τη χρήση
- ④ Οι συστοιχίες μπαταριών εκρηγνύνται εάν απορριφθούν στη φωτιά, συνεπώς, μην καίτε τις μπαταρίες για κανένα λόγο
- ⑤ Αποθηκεύστε το εργαλείο / το φορτιστή / τη συστοιχία μπαταριών σε μέρη όπου η θερμοκρασία δεν θα ξεπεράσει τους 50°C
- ⑥ Μην απορρίπτετε τα ηλεκτρικά εργαλεία και τις συστοιχίες μπαταριών στα οικιακά απορρίμματα

## ΧΡΗΣΗ

- Φόρτιση της μπαταρίας

- ! **διαβάστε τις προειδοποιήσεις ασφαλείας και τις οδηγίες που παρέχονται με το φορτιστή**
- Αφαίρεση/εγκατάσταση της μπαταρίας ②
- Ένδειξη στάθμης της μπαταρίας ⑦
  - πιέστε το κουμπί ένδειξης στάθμης μπαταρίας AB για να εμφανίσετε την τρέχουσα στάθμη της μπαταρίας ⑦a
  - ! **εάν αρχίσει να αναβοσβήνει η κατώτατη στάθμη της ένδειξης μπαταρίας μετά το πάτημα του κουμπιού AB ⑦b, τότε η μπαταρία είναι άδεια**
  - ! **εάν αρχίσουν να αναβοσβήνουν 2 επίπεδα της ένδειξης μπαταρίας μετά το πάτημα του κουμπιού AB ⑦c, τότε η μπαταρία δε βρίσκεται εντός του επιτρεπόμενου εύρους θερμοκρασίας λειτουργίας**
- Γραμμή σκίασης λυχνίας LED ⑧
  - Το εργαλείο σας είναι εξοπλισμένο με μια λυχνία LED γραμμής σκίασης που βρίσκεται κάτω από το άνω προστατευτικό.
  - Αυτό παρέχει πρόσθετο φωτισμό στη λεπίδα του πριονιού και στην επιφάνεια του τεμαχίου επεξεργασίας.
  - Η λυχνία LED προβάλλει μια σκιά της λεπίδας του πριονιού για την καθοδήγηση του εργαλείου κατά μήκος της επιθυμητής γραμμής κοπής που έχει σημειωθεί στο τεμάχιο επεξεργασίας.
  - ! **πάντα δοκιμάζετε πρώτα πάνω σε ένα κομμάτι μη χρήσιμου υλικού**
  - Η λυχνία LED θα ανάψει αυτόματα με ένα ελαφρύ πάτημα του διακόπτη σκανδάλης. Θα απενεργοποιηθεί 10 δευτερόλεπτα, αφού ο διακόπτης-σκανδάλη αποδεσμευτεί.
  - ! **Η λυχνία LED αναβοσβήνει γρήγορα σε περίπτωση υπερφόρτωσης ή υπερθέρμανσης του εργαλείου ή/και της συστοιχίας μπαταριών και οι εσωτερικοί αισθητήρες απενεργοποιούν το εργαλείο. Αφήστε το εργαλείο να «ξεκουραστεί» για λίγο ή τοποθετήστε το εργαλείο και τη συστοιχία μπαταριών ξεχωριστά σε σημείο με ροή αέρα προκειμένου να κρυώσουν.**
  - ! **η λυχνία LED θα αναβοσβήνει πιο αργά για να υποδείξει ότι το επίπεδο φόρτισης της συστοιχίας μπαταριών είναι χαμηλό. Επαναφορτίστε τη συστοιχία μπαταριών.**
  - Η ενσωματωμένη στο άνω προστατευτικό ένδειξη X καθαρισμού του LED έχει σχεδιαστεί για τον καθαρισμό της λυχνίας LED. Όταν η λυχνία LED εξασθενίσει λόγω συσσώρευσης σκόνης πριονίσματος επάνω της, γυρίστε την ένδειξη X καθαρισμού του LED σε οποιαδήποτε κατεύθυνση για να απομακρύνετε την σκόνη πριονίσματος και να καθαρίσετε τη λυχνία LED ώστε να είναι φωτεινή.
- Προστασία μπαταρίας
  - Το εργαλείο απενεργοποιείται ξαφνικά ή δεν επιδέχεται ενεργοποίηση όταν
    - **το φορτίο είναι πολύ υψηλό** --> αφαιρέστε το φορτίο και επανεκκινήστε
    - **η θερμοκρασία της μπαταρίας δεν βρίσκεται εντός του επιτρεπόμενου εύρους θερμοκρασίας λειτουργίας -20 έως +50°C** --> 2 επίπεδα της ένδειξης στάθμης μπαταρίας αρχίζουν να αναβοσβήνουν με το πάτημα του κουμπιού AB ⑦c. Περιμένετε ώσπου η μπαταρία να επανέλθει εντός του επιτρεπόμενου εύρους θερμοκρασίας λειτουργίας
  - **η μπαταρία έχει σχεδόν αδειάσει (για προστασία από βαθιά εκφόρτιση)** -- > ανάβει η αναβοσβήνει χαμηλή στάθμη μπαταρίας ⑦b δίπλα στην ένδειξη στάθμης μπαταρίας με το πάτημα του κουμπιού AB. Φορτίστε την μπαταρία
  - ! **μην συνεχίσετε να πατάτε το διακόπτη ενεργοποίησης/απενεργοποίησης μετά την αυτόματη απενεργοποίηση του εργαλείου, διότι μπορεί να προκληθεί βλάβη στη συστοιχία μπαταριών**
- Τοποθέτηση της πριονόλαμης AA ②
  - ! **αφαιρέστε την μπαταρία από το εργαλείο**
  - πάρτε το εξάγωνο κλειδί A από τη θήκη αποθήκευσης B
  - πιέστε το κουμπί ασφάλισης της ατράκτου C και κρατήστε το πατημένο καθώς αφαιρείτε το μπουλόνι D, περιστρέφοντας το εξάγωνο κλειδί A **ΔΕΞΙΟΣΤΡΟΦΑ** (δηλαδή, στην ίδια κατεύθυνση με το βέλος που υπάρχει επάνω στην πριονόλαμα)
  - ! **πιέζετε το κουμπί ασφάλισης της ατράκτου C μόνο όταν το εργαλείο είναι πλήρως ακινητοποιημένο**
  - αποδεσμεύστε το κουμπί ασφάλισης της ατράκτου C
  - αφαιρέστε τη φλάντζα E
  - ! **βεβαιωθείτε ότι οι επιφάνειες σύσφιξης Η των φλαντζών είναι εντελώς καθαρές και στραμμένες προς τη λάμα**
  - ανοίξτε το κάτω προστατευτικό F με το μοχλό G και κρατάτε το καθώς τοποθετείτε την πριονόλαμα, με τις οδοντώσεις και το βέλος που υπάρχει σε αυτήν να δείχνουν προς την ίδια κατεύθυνση με το βέλος που υπάρχει επάνω στο κάτω προστατευτικό
  - αποδεσμεύστε το κάτω προστατευτικό F
  - τοποθετήστε τη φλάντζα E
  - πιέστε το κουμπί ασφάλισης της ατράκτου C και κρατήστε το πατημένο καθώς σύσφιξετε το μπουλόνι D με το εξάγωνο κλειδί A κατά 1/8 μιας περιστροφής πέρα από το σημείο σύσφιξης με το χέρι (έτσι διασφαλίζεται το γλιστρήμα της λάμας όταν συναντά υπερβολική αντίστασης ώστε να μειώνεται η υπερφόρτωση του κινητήρα και αντλίακτιση του πριονιού)
  - αποδεσμεύστε το κουμπί ασφάλισης της ατράκτου C
- Ρύθμιση βάθους κοπής (0-57 mm) ③
  - λασκάρτε το κουμπί K
  - ανυψώστε/κατεβάστε την πλάκα ποδιού J μέχρι να ρυθμιστεί το επιθυμητό βάθος κοπής στην κλίμακα με τη χρήση του δείκτη βάθους κοπής L
  - σφίξτε το κουμπί K
  - για τη βέλτιστη ποιότητα κοπής, η πριονόλαμα δεν πρέπει να προεξέχει πάνω από μια οδόντωση κάτω από το τεμάχιο επεξεργασίας
- Ρύθμιση γωνίας κοπής (0-45°) ⑩
  - χαλαρώστε το κουμπί M
  - γείρετε το εργαλείο μέχρι να ρυθμιστεί η επιθυμητή γωνία κοπής στην κλίμακα με τη χρήση της ένδειξης γωνίας κοπής N
  - σφίξτε το κουμπί M
  - ! **στην λοξοτομή, το βάθος κοπής δεν ανταποκρίνεται στην ένδειξη υπό κλίμακα του βάθους κοπής**
- Ένδειξη γραμμής κοπής P ⑪

- ώστε να κατευθύνεται το εργαλείο κατά μήκος της επιθυμητής γραμμής κοπής που έχει επισημανθεί επάνω στο τεμάχιο επεξεργασίας
- για ευθεία κοπή 0° ή λοξοτομή 45° χρησιμοποιείτε την αντίστοιχη γραμμή ένδειξης

**! το φαρδύ μέρος του πέλματος πρέπει να εφάπτεται στο υποστηριζόμενο μέρος του κομματιού**

**! το πλάτος κοπής καθορίζεται από το πλάτος των δοντιών και όχι του σώματος του δίσκου**

**! πάντα κάνετε δοκιμαστικές κοπές για να βρείτε την πραγματική γραμμή κοπής**

- Απορρόφηση σκόνης <sup>(12)</sup>  
Συνδέστε τον προσρομητά ηλεκτρικής αναρροφητικής σκούπας R στη θύρα εξαγωγής σκόνης Q με τη βίδα κεφαλής Phillips  
Για να χρησιμοποιήσετε ηλεκτρική σκούπα

- συνδέστε το σωλήνα της ηλεκτρικής σκούπας στον προσαρρομητά ηλεκτρικής σκούπας R  
**! ο εύκαμπτος σωλήνας της ηλεκτρικής σκούπας δεν πρέπει να εμποδίζει ποτέ το κάτω προστατευτικό F ή τη λειτουργία κοπής**

Σάκος συλλογής σκόνης

- τοποθέτηση AC σάκου συλλογής σκόνης \*ΔΕΝ ΠΕΡΙΛΑΜΒΑΝΕΤΑΙ ΩΣ ΣΤΑΝΤΑΡ ΕΞΟΠΛΙΣΜΟΣ

- Χειρισμός του εργαλείου  
- Τοποθετήστε τη συστοιχία μπαταριών  
- κρατάτε πάντα γερά τη λαβή S με το ένα χέρι και την μπροστινή λαβή T με το άλλο χέρι  
- τοποθετήστε το εργαλείο με το εμπρός μέρος του πέλματος επίπεδα επάνω στο τεμάχιο επεξεργασίας  
**! βεβαιωθείτε ότι τα δόντια δεν έχουν εμπλακεί με το κομμάτι εργασίας**  
- ενεργοποιήστε το εργαλείο πατώντας πρώτα το διακόπτη ασφαλείας W και τραβώντας στη συνέχεια το διακόπτη σκανδάλη V

**! το εργαλείο πρέπει να λειτουργεί με πλήρη ταχύτητα προτού ο δίσκος κοπής εισχωρήσει το υλικό που κόβετε**

- το κάτω προστατευτικό F ανοίγει αυτόματα όταν η πριονολάμα εισέρχεται στο τεμάχιο επεξεργασίας (ανοίγεται το κάτω προστατευτικό με το χέρι σας, χρησιμοποιώντας το μοχλό G, μόνο για ειδικές κοπές, όπως βυθισμένες κοπές)

**! μη ζορίζετε το εργαλείο (ασκήστε ελαφρά και σταθερή πίεση προκειμένου να αποφύγετε την υπερθέρμανση των άκρων των λεπίδων)**

- αφού ολοκληρώσετε την κοπή, απενεργοποιείτε το εργαλείο αποδεσμεύοντας τον διακόπτη σκανδάλη V

**! βεβαιώστε ότι η λάμα έχει ακινητοποιηθεί πλήρως, προτού αναστήσετε το εργαλείο από το τεμάχιο επεξεργασίας**

## ΣΥΜΒΟΥΛΕΣ ΧΡΗΣΗΣ

- Η καλή πλευρά του τεμαχίου επεξεργασίας πρέπει πάντα να κοιτάζει κάτω ώστε να εξασφαλίζεται ελάχιστη ποσότητα πριονιδιών.
- Χρησιμοποιείτε μόνο αιχμηρές πριονολάμες του κατάλληλου τύπου <sup>(13)</sup>  
- η ποιότητα της κοπής βελτιώνεται από τον αριθμό των δοντιών  
- οι λάμες με άκρα καρβιδίου παραμένουν αιχμηρές έως και 30 φορές περισσότερο σε σχέση με τις κοινές

λάμες

- Εγκάρσιες κοπές / ευθείες κοπές ακριβείας <sup>(14)</sup>  
Οι εγκάρσιες κοπές ή οι ευθείες κοπές επιτυγχάνονται εύκολα με έναν οδηγό παράλληλης κοπής Y.  
- ευθυγραμμίστε τον οδηγό με την ένδειξη γραμμής κοπής 0° P στο πέλμα  
- εισαγάγετε έναν οδηγό παράλληλης κοπής Y μέσα από τις υποδοχές και στις δύο πλευρές του πέλματος στο επιθυμητό πλάτος και ασφαλίστε με το κουμπί Z  
**! διασφαλίστε ότι ο παράλληλος αναστολέας δεν εμποδίζει την ελεύθερη κίνηση του κάτω προστατευτικού και της πριονολάμας**
- Βυθισμένη κοπή <sup>(15)</sup>  
- καθορίστε το επιθυμητό βάθος κοπής  
- δώστε κλίση προς τα εμπρός στο εργαλείο με την ένδειξη γραμμής κοπής P ευθυγραμμισμένη με την επιθυμητή γραμμή κοπής που έχει επισημανθεί επάνω στο τεμάχιο επεξεργασίας  
- ανοίξτε το κάτω προστατευτικό F με το μοχλό G  
- λίγο προτού η λάμα εισέλθει στο τεμάχιο επεξεργασίας, ενεργοποιήστε το ηλεκτρικό εργαλείο και χαμηλώστε σταδιακά το πίσω μέρος του ηλεκτρικού εργαλείου, χρησιμοποιώντας το μπροστινό άκρο του πέλματος ως σημείο στήριξης  
- κινήστε σταδιακά το εργαλείο προς τα κάτω και προς τα εμπρός  
- μόλις η λάμα εισαχθεί στο υλικό, αποδεσμεύστε το μοχλό G  
**! ποτέ μην τραβήξετε το εργαλείο προς τα πίσω**
- Κοπή μεγάλων πάνελ <sup>(16)</sup>  
- υποστηρίξτε τα πάνελ κοντά στο σημείο κοπής, τοποθετώντας τα στο δάπεδο, σε τραπέζι ή πάγκο εργασίας  
**! ρυθμίστε το βάθος κοπής έτσι ώστε να κόψετε το κομμάτι και όχι την υποστήριξη**  
- σε περίπτωση που ο οδηγός παράλληλης κοπής δεν επιτρέπει το επιθυμητό πλάτος κοπής, σφίξτε ή χαλαρώστε ένα ίσιο τεμάχιο ξύλου στο τεμάχιο επεξεργασίας σαν οδηγό και χρησιμοποιήστε την δεξιά πλευρά του εργαλείου κόντρα σε αυτό τον οδηγό <sup>(17)</sup>
- Κοπή με ράγα οδηγού <sup>(19)</sup>  
\* ΔΕΝ ΠΕΡΙΛΑΜΒΑΝΕΤΑΙ ΩΣ ΣΤΑΝΤΑΡ ΠΑΡΕΛΚΟΜΕΝΟ  
Η χρήση ράγας οδηγού παρέχει ακριβείς, ίσιες κοπές σε λοξοτομές 45° ή 90°.  
Προτού κάνετε την πρώτη κοπή με τη ράγα οδηγού, προσαρμόστε το ελαστικό χείλος στο δισκοπρίονο που χρησιμοποιείτε.  
- για ευθεία κοπή 90°, ευθυγραμμίστε την πλευρά λοξοτομής 90° της ράγας AD (ή την πλευρά λοξοτομής 45° όταν κάνετε λοξοτομή 45°) με την επιθυμητή γραμμή κοπής που είναι σημειωμένη στο τεμάχιο επεξεργασίας.  
- ασφαλίστε τη ράγα οδηγού AD στο τεμάχιο επεξεργασίας χρησιμοποιώντας σφικτικές ράγες οδηγού AE <sup>(18)</sup> \*ΔΕΝ ΠΕΡΙΛΑΜΒΑΝΟΝΤΑΙ ΣΤΟΝ ΣΤΑΝΤΑΡ ΕΞΟΠΛΙΣΜΟ  
- σύρετε το πριόνι επάνω στη ράγα οδηγού AD, εξασφαλίστε ότι το πριόνι μπορεί να ολισθαίνει ελεύθερα επάνω στη ράγα χωρίς να ταλαντεύεται στο πλάι.  
- κατά τη ρύθμιση του βάθους κοπής να θυμάστε να

επιτρέπετε το πάχος ράγας οδηγού AD.

- οδηγήστε το πριόνι ομοιόμορφα με αργό ρυθμό τροφοδosis μέσα από το άκρο της ράγας οδηγού AD.

- Για περισσότερες πληροφορίες επισκεφθείτε τη σελίδα [www.skil.com](http://www.skil.com)

## ΣΥΝΤΗΡΗΣΗ/ΣΕΡΒΙΣ

- Αυτό το μηχάνημα δεν προορίζεται για επαγγελματική χρήση.
- Πάντα να διατηρείτε καθαρό το εργαλείο.  
**! αφαιρέστε την μπαταρία από το εργαλείο πριν από τον καθαρισμό**
- Φροντίζετε ώστε ο χώρος γύρω από κάτω προστατευτικό F② να είναι πάντα καθαρός (απομακρύνετε τη σκόνη και τα ρινίδια με πεπιεσμένο αέρα ή πινέλο).
- Καθαρίζετε την προιονόλαμα αμέσως μετά τη χρήση (ειδικά από ρητίνη ή κόλλα)
- Εάν το εργαλείο παρουσιάζει βλάβη παρά την προσεκτική κατασκευή και τις διαδικασίες ελέγχου, οι επισκευές πρέπει να διεξάγονται από ένα κέντρο εξυπηρέτησης πελατών για ηλεκτρικά εργαλεία SKIL.
  - στείλτε το εργαλείο χωρίς να το αποσυρμολογήσετε μαζί με την απόδειξη αγοράς στο κατάστημα από το οποίο το αγοράσατε ή στον πλησιέστερο σταθμό τεχνικής εξυπηρέτησης της SKIL (θα βρείτε τις διευθύνσεις και το διάγραμμα συντήρησης του εργαλείου στην ιστοσελίδα [www.skil.com](http://www.skil.com))
- Λαμβάνετε υπόψη ότι οι βλάβες που προκαλούνται λόγω υπερφόρτωσης ή ακατάλληλης χρήσης του εργαλείου δεν καλύπτονται από την εγγύηση (για τους όρους της εγγύησης της SKIL δείτε στο [www.skil.com](http://www.skil.com) ή απευθυνθείτε στο πλησιέστερο κατάστημα πώλησης).

## ΠΕΡΙΒΑΛΛΟΝ

Μόνο για τις χώρες της ΕΕ

- **Μην απορρίπτετε τα ηλεκτρικά εργαλεία, τα παρελκόμενα και τη συσκευασία στα οικιακά απορρίμματα**
  - σύμφωνα με την ευρωπαϊκή οδηγία 2012/19/ΕΚ, σχετικά με τα απόβλητα ηλεκτρικού και ηλεκτρονικού εξοπλισμού, και την ενσωμάτωσή της στο εθνικό δίκαιο, τα άχρηστα ηλεκτρικά εργαλεία πρέπει να συλλέγονται ξεχωριστά και να επιστρέφονται σε εγκατάσταση αποβλήτων για ανακύκλωση με τρόπο φιλικό προς το περιβάλλον
  - **το σύμβολο 6 θα σας το θυμίσει αυτό όταν έλθει η ώρα της απόρριψης**
- ! πριν από την απόρριψη, καλύψτε τους ακροδέκτες της συστοιχίας μπαταριών με μονωτική ταινία για να αποτρέψετε το βραχυκύκλωμά τους**

## ΘΟΥΡΒΟΣ/ΔΟΝΗΣΗ

- Βάσει της μέτρησης σύμφωνα με το πρότυπο EN 62841, η στάθμη ηχητικής πίεσης αυτού του εργαλείου είναι 94 dB(A) και η στάθμη ηχητικής ισχύος 102 dB(A) (αβεβαιότητα K = 3 dB), και η δόνηση <2,5 m/s<sup>2</sup> (τριαξονικό διανυσματικό άθροισμα, αβεβαιότητα K = 1,5 m/s<sup>2</sup>).

- Το επίπεδο μετάδοσης δόνησης έχει μετρηθεί σύμφωνα με τυποποιημένη δοκιμή κατά το πρότυπο EN 62841. Μπορεί να χρησιμοποιηθεί για τη σύγκριση ενός εργαλείου με ένα άλλο, καθώς και ως προκαταρκτική αξιολόγηση της έκθεσης σε δόνηση όταν το εργαλείο χρησιμοποιείται για τις αναφερόμενες εφαρμογές
  - η χρήση του εργαλείου για διαφορετικές εφαρμογές ή με διαφορετικά ή κακοσυντηρημένα εξαρτήματα μπορεί να **αυξήσει** σημαντικά το επίπεδο έκθεσης.
  - όταν το εργαλείο είναι απενεργοποιημένο ή όταν είναι ενεργοποιημένο αλλά δεν εκτελεί την εργασία, το επίπεδο έκθεσης μπορεί να **μειωθεί** σημαντικά.
- ! προστατευτείτε από τις συνέπειες της δόνησης, συντηρώντας σωστά το ηλεκτρικό εργαλείο και τα παρελκόμενά του, διατηρώντας τα χέρια σας ζεστά και οργανώνοντας τον τρόπο εργασίας σας**

RO

## Ferăstrău circulară fără perii

3551

### INTRODUCERE

- Această sculă este destinată tăierii longitudinale și transversale a lemnului cu tăieturi drepte, precum și tăieturi unghiulare de până la 45°.
- Această sculă nu este destinată utilizării profesionale
- Citiți și păstrați acest manual de instrucțiuni ③

### DATE TEHNICE ①

### ELEMENTELE MAȘINII ②

- A** Cheia hexagonală
- B** Locaș de depozitare pentru cheia hexagonală
- C** Buton de blocare ax
- D** Bolț
- E** Flanșă
- F** Apărătoare inferioară
- G** Manetă de deschidere a apărătorii inferioare
- H** Suprafață de încastrare
- J** Placă pentru picioare
- K** Buton pentru stabilirea adâncimii de tăiere
- L** Indicator al adâncimii de tăiere
- M** Buton de reglare a unghiului de tăiere
- N** Indicator al unghiului de tăiere
- P** Indicatorul liniei de tăiere
- Q** Portul de extragere a prafului
- R** Adaptor pentru aspirator
- S** Mâner posterior
- T** Mâner frontal
- U** Slot șină de ghidare
- V** Comutatorul de declanșare
- W** Întrerupător de siguranță
- X** Cadran de curățare cu LED
- Y** Ghidaj paralel
- Z** Buton pentru reglarea ghidajului paralel
- AA** Pânză ferăstrău
- AB** Indicator nivel încărcare baterie
- AC** ASac de praf\*
- AD** AȘină de ghidare\*

AE AClemă șină de ghidare\*

\* NU ESTE INCLUS ÎN VERSIUNEA STANDARD

## SIGURANȚA

### AVERTIZĂRI GENERALE DE SIGURANȚĂ PENTRU MAȘINI

**AVERTISMENT** Citiți toate instrucțiunile, avertizările de siguranță, ilustrațiile și specificațiile livrate împreună cu această sculă electrică. Nerespectarea tuturor instrucțiunilor enumerate mai jos se poate solda cu șoc electric, incendiu și/sau vătămare corporală gravă.

**Păstrați toate avertizările și instrucțiunile pentru consultare ulterioară.**

Termenul „sculă electrică” din avertizări se referă la scula electrică (cu cablu) alimentată de la rețeaua electrică sau scula electrică (fără cablu de alimentare) care funcționează cu baterie.

#### 1) SIGURANȚA ZONEI DE LUCRU

- Păstrați zona de lucru curată și bine luminată.** Zonele dezordonate și întunecoase predispun la accidente.
- Nu puneți în funcțiune sculele electrice în atmosfere explozive, cum ar fi în prezența lichidelor, gazelor sau a pulberilor inflamabile.** Sculele electrice creează scânteie, care pot aprinde pulberile sau gazele.
- Țineți copiii și persoanele prezente la distanță atunci când utilizați o sculă electrică.** Distragerea atenției vă poate face să pierdeți controlul.

#### 2) SIGURANȚA ELECTRICĂ

- Ștecherile sculelor electrice trebuie să corespundă cu prizele de rețea electrică. Nu modificați niciodată ștecherul în vreun fel. Nu utilizați adaptoare de priză cu scule electrice împământate.** Ștecherile nemodificate și prizele adecvate vor reduce riscul de electrocutare.
- Evitați contactul corpului cu suprafețele legate la împământare, cum sunt țevile, caloriferele, mașinile de gătit și frigiderule.** Acest lucru reprezintă un risc sporit de electrocutare în cazul care corpul dumneavoastră este împământat.
- Nu expuneți sculele electrice la ploaie sau condiții de umiditate.** Pătrunderea apei într-o sculă electrică va crește riscul de electrocutare.
- Nu folosiți în mod abuziv cablul de alimentare. Nu utilizați niciodată cordonul de alimentare pentru a transporta, a trage sau a scoate din priză scula electrică. Țineți cablul de alimentare departe de căldură, ulei, margini tăioase sau piese în mișcare.** Cablurile electrice deteriorate sau încălcite cresc riscul de electrocutare.
- Când utilizați o sculă electrică în aer liber utilizați un cablu prelungitor adecvat pentru utilizarea în aer liber.** Utilizarea unui cablu adecvat pentru utilizare în aer liber reduce riscul de electrocutare.
- Dacă utilizarea unei scule electrice într-o zonă umedă este inevitabilă, utilizați o sursă de alimentare protejată cu un întrerupător de protecție la curent rezidual (DCR).** Utilizarea unui astfel de

întrerupător reduce riscul de electrocutare.

#### 3) SIGURANȚA PERSONALĂ

- Păstrați-vă vigilența, urmăriți ceea ce faceți și apelați la bunul simț când utilizați o sculă electrică. Nu utilizați o sculă electrică când sunteți obosit, sau sub influența medicamentelor, a alcoolului sau a medicației.** Un moment de neatenție în timp ce utilizați sculele electrice se poate solda cu vătămări grave.
- Utilizați echipamente individuale de protecție. Purtați întotdeauna echipament de protecție oculară.** Echipamentele de protecție, cum ar fi masca de praf, bocancii de protecție antiderapanți, casca sau antifoanele utilizate în condiții corespunzătoare, vor reduce vătămările corporale.
- Preveniți pornirea accidentală. Asigurați-vă că întrerupătorul este în poziția oprit înainte de a conecta scula la o sursă de alimentare și/sau set de acumulatori, înainte de a ridica sau transporta scula.** Transportul sculelor electrice cu degetul pe întrerupător sau cu alimentarea cu energie electrică pornită, predispune la accidente.
- Îndepărtați orice cheie de reglare sau cheie fixă înainte de a porni scula electrică.** O cheie lăsată într-o piesă rotativă a sculei electrice poate duce la accidente.
- Nu încercați să ajungeți în locuri inaccesibile. Păstrați-vă stabilitatea și echilibrul în orice moment.** Astfel veți avea un control mai bun asupra sculei electrice în situații neașteptate.
- Îmbrăcați-vă corespunzător. Nu purtați haine largi sau bijuterii. Păstrați-vă părul și îmbrăcămintea departe de componentele în mișcare.** Îmbrăcămintea largă, bijuteriile sau părul lung se pot prinde în piesele în mișcare.
- Dacă sunt furnizate dispozitive pentru conectarea sistemelor de extragere și colectare a prafului, asigurați-vă că acestea sunt conectate și utilizate corespunzător.** Utilizarea dispozitivelor de colectare a prafului poate reduce pericolele legate de praf.
- Nu permiteți ca familiaritatea dobândită în urma utilizării frecvente a sculelor să vă facă să neglijați sau să nesocotiți principiile de siguranță ale sculei.** O operație neglijentă poate cauza vătămări grave într-o fracțiune de secundă.
- UTILIZAREA ȘI ÎNGRIJIREA SCULELOR ELECTRICE**
  - Nu forțați scula electrică. Utilizați scula electrică corespunzătoare pentru aplicația dumneavoastră.** Scula electrică adecvată va face o treabă mai bună și mai sigură când este utilizată conform specificațiilor pentru care a fost concepută.
  - Nu utilizați scula electrică dacă întrerupătorul nu comută pe pozițiile pornit și oprit.** Orice sculă electrică ce nu poate fi controlată de la întrerupător este periculoasă și trebuie reparată.
  - Deconectați ștecherul de la sursa de alimentare și / sau scoateți acumulatorul, dacă este detașabil, de la scula electrică înainte de a efectua ajustări, de a schimba accesoriile sau de a stoca sculele electrice.** Astfel de măsuri preventive reduc riscul de pornire accidentală a sculei electrice.
  - Depozitați sculele electrice într-un loc inaccesibil copiilor și nu permiteți utilizarea sculei electrice de persoane nefamiliarizate cu aceasta sau cu aceste instrucțiuni.** Sculele electrice sunt periculoase în mâna

- utilizatorilor neinstruiți.
- e) **Întrețineți sculele electrice și accesoriile. Verificați dacă există abateri de la coaxialitate sau îndoiri ale pieselor în mișcare, avarii ale pieselor și orice altă situație care poate afecta funcționarea sculelor electrice.** În caz de deteriorare, reparați scula electrică înainte de utilizare. Multe accidente sunt cauzate de sculele electrice prost întreținute.
  - f) **Mențineți sculele de tăiere ascuțite și curate.** Sculele de tăiere întreținute corespunzător și cu muchii de tăiere ascuțite riscă mai puțin să se îndoiească și sunt mai ușor de controlat.
  - g) **Utilizați scula electrică, accesoriile și cuțitele demontabile etc. în conformitate cu aceste instrucțiuni, ținând cont de condițiile de lucru și lucrarea de efectuat.** Utilizarea sculei electrice pentru operații diferite de cele intenționate s-ar putea solda cu o situație periculoasă.
  - h) **Mențineți mânerul și suprafețele de apucat uscate, curate și fără ulei și vaselină.** Mânerul și suprafețele de apucare alunecoase nu permit manevrarea în siguranță și controlul asupra sculei în situații neașteptate.
- 5) UTILIZAREA ȘI ÎNGRIJIREA SCULEI CU BATERIE**
- a) **Reîncărcați numai cu încărcătorul specificat de producător.** Un încărcător adecvat pentru un tip de set de acumulatori poate prezenta risc de incendiu dacă este utilizat cu alt set de acumulatori.
  - b) **Utilizați sculele electrice doar cu seturile de acumulatori special menționate.** Utilizarea oricărui alt set de acumulatori prezintă risc de accidente și incendii.
  - c) **Când nu se utilizează setul de acumulatori, țineți-l departe de alte obiecte metalice precum clemele de hârtie, monedele, cheile, cuiele, șuruburile sau alte obiecte metalice mici care pot realiza o conexiune între borne.** Scurtcircuitarea bornelor bateriei poate produce arsuri sau un incendiu.
  - d) **În condiții abuzive se poate scurge lichid din baterie; evitați contactul. Dacă are loc contact accidental, clătiți cu apă.** Dacă lichidul intră în contact cu ochii, efectuați suplimentar un consult medical. Lichidul scurs din baterie poate produce iritații sau arsuri.
  - e) **Nu utilizați un set de acumulatori sau o sculă deteriorată sau modificată.** Bateriile deteriorate sau modificate pot prezenta comportament imprevizibil, care poate duce la incendiu, explozie sau risc de vătămare.
  - f) **Nu expuneți setul de acumulatori la foc sau la temperaturi excesive.** Expunerea la foc sau la temperaturi de peste 130°C poate provoca explozie.
  - g) **Respectați instrucțiunile de încărcare și nu încărcați setul de acumulatori sau scula în afara intervalului de temperatură specificat în instrucțiuni.** Încărcarea necorespunzătoare sau la temperaturi în afara domeniului specificat poate duce la deteriorarea bateriei și la creșterea riscului de incendiu.
- 6) SERVICE**
- a) **Apelați numai la o persoană calificată pentru a vă repara scula electrică utilizând numai piese de schimb identice.** Astfel se asigură menținerea nivelului de siguranță al sculei electrice.
  - b) **Nu efectuați niciodată operații de service asupra seturilor de acumulatori deteriorați. Depanarea acumulatorilor trebuie să fie efectuată numai de producător sau de prestatorii autorizați de servicii.**

## INSTRUCȚIUNI DE SIGURANȚĂ PENTRU FERĂSTRAIELE CIRCULARE FĂRĂ PERII

### INSTRUCȚIUNI DE SIGURANȚĂ PENTRU TOATE FERĂSTRAIELE

- a) **⚠ PERICOL: Țineți mâinile departe de zona de tăiere și lamă. Țineți mâna a doua pe mânerul auxiliar sau pe carcasa motorului.** Dacă ambele mâini țin ferăstrăul, acestea nu pot fi tăiate de lamă.
- b) **Nu puneți mâna sub piesa de lucru.** Protecția nu vă poate proteja de lamă sub piesa de prelucrat.
- c) **Reglați adâncimea de tăiere la grosimea piesei de prelucrat.** Trebuie să fie vizibil sub piesa de prelucrat mai puțin de un dinte complet al dinților pânzei.
- d) **Nu țineți niciodată piesa de prelucrat în mâini sau peste picior în timp ce tăiați. Fixați piesa de prelucrat pe o platformă stabilă.** Este important să susțineți în mod corespunzător lucrările pentru a minimiza expunerea corpului, blocarea pânzei sau pierderea controlului.
- e) **Țineți scula electrică de suprafețele de prindere izolate la efectuarea unei operații unde accesoriul de așchiere poate contacta cablaje ascunse.** Accesoriile de fixare care intră în contact cu un fir „sub tensiune” pot pune „sub tensiune” părțile metalice exterioare ale sculei electrice și pot electrocuta operatorul.
- f) **La spintecare, utilizați întotdeauna o pană de spintecare sau un ghidaj de margine drept.** Acest lucru îmbunătățește precizia tăierii și reduce șansele de blocare a pânzei.
- g) **Utilizați întotdeauna pânze de ferăstrău cu dimensiunea și forma corectă (de romb față de forma rotundă) a orificiilor de montaj.** Pânzele de ferăstrău care nu se potrivesc cu dispozitivele de montare ale ferăstrăului vor funcționa excentric, provocând pierderea controlului.
- h) **Nu folosiți niciodată șaibe de lamă sau șuruburi deteriorate sau incorecte.** Șaibele și șuruburile de lamă au fost special concepute pentru ferăstrăul dvs., pentru performanțe optime și siguranță de funcționare.

### INSTRUCȚIUNI SUPPLEMENTARE DE SIGURANȚĂ PENTRU TOATE FERĂSTRAIELE

#### CAUZE DE REcul ȘI AVERTIZĂRI LEGATE DE ACESTA

- reculul este o reacție bruscă la o lamă de ferăstrău ciupită, blocată sau nealiniață, provocând ridicarea și ieșirea unui ferăstrău necontrolat din piesa de prelucrare spre operator;
- când pânza este ciupită sau blocată strâns prin închiderea arborelui, pânza se blochează și reacția motorului conduce unitatea rapid înapoi către operator;
- în cazul în care pânza se răsucește sau se aliniază greșit în tăietură, dinții de la marginea din spate a pânzei pot săpa în suprafața superioară a lemnului, determinând pânza să urce din gaură și să sară înapoi către operator.

Recul este rezultatul utilizării necorespunzătoare a sculei și/sau a procedurilor sau condițiilor de operare incorecte și poate fi evitat prin luarea măsurilor de precauție adecvate menționate mai jos.



- a) **Mențineți o strângere fermă a fierăstrăului cu ambele mâini și poziționați-vă brațele pentru a rezista forțelor de recul. Poziționează-ți corpul fie de o parte a pânzei, dar nu în linie cu pânza.** Reculul ar putea face ca ferăstrăul să sară înapoi, dar forțele de recul pot fi controlate de către operator, dacă se iau măsurile de precauție adecvate.
- b) **Când pânza este blocată sau când întrerupeți o tăietură din orice motiv, eliberați trăgaciul și țineți ferăstrăul nemișcat în material până când pânza se oprește complet. Nu încercați niciodată să scoateți ferăstrăul din piesa lucru sau nu trageți ferăstrăul înapoi în timp ce pânza este în mișcare sau poate apărea o retragere.** Investigați și luați măsuri corective pentru a elimina cauza blocării pânzei.
- c) **Când reporniți un ferăstrău în piesa de prelucrat, centrați pânza ferăstrăului în bucată, astfel încât dinții ferăstrăului să nu fie cuplați în material.** Dacă o lamă de ferăstrău se blochează, aceasta poate merge în sus sau înapoi din piesa de prelucrat pe măsură ce ferăstrăul este repornit.
- d) **Sprijiți panourile mari pentru a minimiza riscul de ciupire și recul a pânzei. Panourile mari tind să se lase sub propria greutate.** Suporturile trebuie așezate sub panou pe ambele părți, lângă linia de tăiere și lângă marginea panoului.
- e) **Nu utilizați lame neascuțite sau deteriorate.** Pânzele de ferăstrău neascuțite sau fixate necorespunzător produc o tăietură îngustă care provoacă frecare excesivă, blocarea pânzei și reculul.
- f) **Adâncimea pânzei și pârgăile de blocare pentru reglarea înclinării trebuie să fie strânse și sigure înainte de a efectua tăierea.** Dacă reglarea pânzei se schimbă în timpul tăierii, aceasta poate provoca blocarea și retragerea.
- g) **Aveți grijă suplimentară atunci când tăiați pereții existenți sau alte zone oarbe.** Pânza proeminentă poate tăia obiecte care pot cauza recul.

#### **FUNCȚIA DE PROTECȚIE INFERIOARĂ**

- a) **Verificați protecția inferioară pentru închiderea corectă înainte de fiecare utilizare. Nu acționați ferăstrăul dacă protecția inferioară nu se mișcă liber și nu se închide instantaneu. Nu strângeți niciodată și nu legați protecția inferioară în poziția deschisă.** Dacă ferăstrăul este scăpat accidental, protecția inferioară poate fi îndoită. Ridicați protecția inferioară cu mânerul retractabil și asigurați-vă că se mișcă liber și nu atinge pânza sau orice altă parte, în toate unghiurile și adâncimile de tăiere.
- b) **Verificați funcționarea arcului de protecție inferior. Dacă protecția și arcul nu funcționează corect, acestea trebuie întreținute înainte de utilizare.** Protecția inferioară poate funcționa lent din cauza pieselor deteriorate, a depunerilor de gumă sau a acumulării de resturi.
- c) **Apărătoarea inferioară poate fi retrasă manual numai pentru tăieturi speciale, cum ar fi „tăieturi scufundate” și „tăieturi compuse”. Ridicați protecția inferioară de mânerul retractabil și imediat ce pânza intră în material, protecția inferioară trebuie eliberată.** Pentru toate celelalte tăieturi, protecția inferioară ar trebui să funcționeze automat.
- d) **Observați întotdeauna că protecția inferioară**

**acoperă pânza înainte de a așeza ferăstrăul pe bancă sau podea.** O lamă neprotejată, de inerție, va face ca ferăstrăul să meargă înapoi, tăind tot ce se află în calea sa. Fiți conștienți de timpul necesar pentru oprirea pânzei după eliberarea comutatorului.

#### **GENERALITĂȚI**

- Această sculă nu trebuie să fie folosită de persoane sub 16 ani.
- Această sculă nu este potrivită pentru tăiere umedă.
- **Nu prelucrați materiale care conțin azbest** (azbestul este considerat a fi cancerigen).
- Praful rezultat din materiale precum vopseaua care conține plumb, unele specii de lemn, minerale și metale poate fi periculos (contactul cu praful sau inhalarea acestuia poate provoca reacții alergice și/sau afecțiuni respiratorii operatorului sau persoanelor care stau în apropiere); **purtați o mască de praf și lucrați cu un dispozitiv de extragere a prafului când poate fi conectat.**
- Anumite tipuri de praf sunt clasificate ca fiind cancerigene (cum ar fi praful de stejar și fag) în special în combinație cu aditivi pentru tratarea lemnului; **purtați o mască de praf și lucrați cu un dispozitiv de extragere a prafului când poate fi conectat.**
- Respectați reglementările naționale referitoare la aspirarea prafului în funcție de materialele de lucru folosite.
- Nu utilizați acest ferăstrău în combinație cu o masă de ferăstrău.
- Scoateți bateria din sculă înainte de a face orice reglaje sau de a schimba accesoriile.

#### **ACCESORII**

- SKIL garantează funcționarea perfectă a aparatului numai dacă sunt folosite accesoriile originale
- Folosiți numai accesoriile a căror turație admisă este cel puțin egală cu turația maximă la mers în gol a aparatului.
- Folosiți numai pânze de ferăstrău care corespund specificațiilor din prezentele instrucțiuni de utilizare și care au fost verificate și marcate conform EN 847-1.
- Folosiți numai pânze de ferăstrău cu diametrul de 165 mm și o gaură a axului de 16 mm.
- Nu folosiți niciodată discuri abrazive/ de tăiere cu această sculă.

#### **ÎNAINTEA UTILIZĂRII**

- Evitați deteriorarea care poate fi cauzată de șuruburi, cuie și alte elemente din piesa de lucru; îndepărtați-le înainte de a începe lucrul.
- Îndepărtați toate obstacolele aflate deasupra precum și sub traseul de tăiere înainte de a începe tăierea.
- **Securizați piesa de lucru** (o piesă de lucru fixată cu clame sau într-o menghină este ținută mult mai în siguranță decât manual).
- **Folosiți detectoare adecvate pentru a găsi liniile de utilități ascunse sau sunați la compania locală de utilități pentru asistență** (contactul cu liniile electrice poate duce la incendii sau șoc electric; deteriorarea unei conducte de gaz poate duce la o explozie; pătrunderea într-o conductă de apă va provoca daune materiale sau un șoc electric).

#### **ÎN TIMPUL FUNCȚIONĂRII**

- Nivelul de zgomot în timpul lucrului poate depăși 85 dB(A); purtați protecție pentru urechi.
- Nu folosiți niciodată scula fără sistemul original de protecție.
- Nu încercați să tăiați piese de prelucrat extrem de mici.

- Nu lucrați cu scula deasupra capului.
- În caz de blocare sau defecțiuni electrice sau mecanice, opriti imediat scula și scoateți bateria.

#### DUPĂ UTILIZARE

- Când puneți sculă deoparte, opriti motorul și asigurați-vă că toate piesele în mișcare s-au oprit complet.
- După deconectarea ferăstrăului circular, nu opriti niciodată rotația pânzei de fierăstrău printr-o forță laterală aplicată acesteia.

#### BATERIILE

- **Bateria furnizată, dacă există, este parțial încărcată** (pentru a asigura capacitatea completă a bateriei, încărcati complet bateria în încărcătorul de baterii înainte de a utiliza scula electrică pentru prima dată)
- **Utilizați numai următoarele baterii și încărcătoare cu această sculă**
  - Baterie SKIL: BR1\*31\*\*\*\*
  - Încărcător SKIL: CR1\*31\*\*\*\*
- Nu folosiți bateria dacă aceasta este avariată; ea trebuie înlocuită imediat
- Nu dezambalati bateria.
- Nu expuneți scula/bateria la ploaie.
- Temperatură ambientă admisă (instrument/încărcător/baterie):
  - în timpul încărcării 4...40°C
  - în timpul funcționării -20...+50°C
  - în timpul depozitării -20...+50°C

#### EXPLICAȚIA SIMBOLURILOR DE PE SCULĂ

- ③ Citiți manual de instrucțiuni înainte de utilizare
- ④ Bateriile vor exploda când sunt aruncate în foc, deci nu ardeți bateriile sub niciun motiv
- ⑤ Depozitați instrumentul / încărcătorul / bateria în locuri în care temperatura nu va depăși 50 °C
- ⑥ Nu aruncați sculele electrice și bateriile direct la pubelele de gunoi

## UTILIZAREA

- Încărcarea bateriei
  - ! **citiți avertismentele de siguranță și instrucțiunile care au fost furnizate împreună cu încărcătorul**
- Scoaterea/instalarea bateriilor ②
- Indicator nivel încărcare baterie ⑦
  - apăsați butonul indicator al nivelului bateriei AB pentru a afișa nivelul curent al bateriei ⑦a
  - ! **atunci când cel mai mic nivel al indicatorului bateriei începe să clipească după apăsarea butonului AB ⑦, bateria este descărcată**
  - ! **atunci când 2 niveluri ale indicatorului bateriei încep să clipească după apăsarea butonului AB ⑦c, bateria nu se află în intervalul de temperatură de funcționare admisibilă**
- Linie de umbră cu LED-uri ⑧
  - Scula dvs. este echipată cu o lumină LED pentru linia de umbră, situată sub protecția superioară. Aceasta asigură o iluminare suplimentară a pânzei de ferăstrău și a suprafeței piesei de prelucrat.
  - Lumina LED proiectează o umbră a pânzei de ferăstrău pentru a ghida scula de-a lungul liniei de tăiere dorită, marcată pe piesa de lucru.
  - ! **întotdeauna încercați mai întâi pe un rest de material**
  - Lumina LED se va aprinde automat la o ușoară apăsare a comutatorului de declanșare. LED-ul se va stinge automat după aproximativ 10 secunde de la eliberarea

trăgaciului.

- ! **Lumina LED va clipi rapid când scula și/ sau acumulatorul devin supraîncărcate sau prea fierbinți, iar senzorii interni vor opri scula. Așezați scula un timp sau plasați scula și bateria separat sub fluxul de aer pentru a le răci.**
- ! **lumina LED va clipi mai încet pentru a indica faptul că nivelul de încărcare a acumulatorului este scăzut. Reîncărcați acumulatorul (bateriile).**
- Cadranul de curățare a LED-ului X încorporat în protecția superioară este conceput pentru a curăța lumina LED. Atunci când lumina LED devine slabă din cauza rumegușului acumulat pe ea, rotiți cadranul de curățare a LED-ului X în orice direcție pentru a îndepărta rumegușul și a face ca lumina LED să fie din nou luminoasă.
- Protecția bateriei
  - Aparatul este oprit brusc sau împiedicat să fie pornit când
    - **sarcina este prea mare** --> îndepărtați sarcina și reporniți
    - **temperatura bateriei nu se încadrează în intervalul admisibil de temperatură de funcționare de la -20 la + 50 ° C** --> 2 niveluri ale indicatorului de nivel al bateriei începe să clipească la apăsarea butonului AB ⑦c; așteptați până când bateria a revenit în intervalul permis de temperatură de funcționare
    - **bateria este aproape descărcată (pentru a proteja împotriva descărcării profunde)** --> un nivel scăzut al bateriei sau un nivel scăzut al bateriei intermitent ⑦b este afișat de indicatorul de nivel al bateriei atunci când apăsați butonul AB; încărcati bateria
  - ! **nu continuați să apăsați comutatorul pornit/oprit după oprirea automată a mașinii; în caz contrar, bateria poate fi deteriorată**
- Montarea pânzei de ferăstrău AA ②
  - ! **scoateți bateria din sculă**
  - scoateți cheia hexagonală A din zona de stocare B
  - apăsați butonul de blocare a axului C și țineți-l apăsat în timp ce scoateți șurubul D prin rotirea cheii hexagonale A **ÎN SENS ORAR** (= în aceeași direcție cu săgeata imprimată pe pânza de ferăstrău).
  - ! **apăsați butonul de blocare a axului C numai atunci când scula este complet oprită.**
  - lăsați liber butonul C de blocare a axului
  - îndepărtați flanșa E
  - ! **asigurați-vă că suprafețele de prindere H ale flanșelor sunt perfect curate și orientate spre lamă**
  - desfaceți dispozitivul de protecție inferior F cu maneta G și mențineți-l astfel, montați pânza de ferăstrău astfel încât dinții pânzei de fierăstrău și săgeata desenată pe pânza de fierăstrău să fie îndreptați în aceeași direcție cu săgeata de pe dispozitivul de protecție inferior
  - lăsați liber dispozitivul de protecție inferior F
  - montați flanșa E
  - apăsați butonul de blocare a axului C și țineți-l apăsat în timp ce strângeți șurubul D cu cheia hexagonală A cu 1/8 de tură după strângerea cu degetul (asigurați alunecarea pânzei de ferăstrău atunci când aceasta întâmpină o rezistență excesivă, reducând astfel supraîncărcarea motorului și reculul fierăstrăului).
  - lăsați liber butonul C de blocare a axului
- Reglarea adâncimii de tăiere (0-57 mm) ⑨
  - slăbiți butonul K

- ridicăți/coborâți placa de picior J până când adâncimea de tăiere dorită este setată pe scală cu ajutorul indicatorului de adâncime de tăiere L
- strângeți butonul K
- pentru o tăiere de calitate optimă, pâza de ferăstrău nu trebuie să se extindă cu mai mult de un dinte sub piesa de prelucrat
- Reglarea unghiului de tăiere (0-45°) <sup>10</sup>
  - deșurubați butonul M
  - înclinați scula până când unghiul de tăiere dorit este setat pe scală cu ajutorul indicatorului unghiului de tăiere N
  - strângeți butonul M
- ! **la tăierea oblică, adâncimea de tăiere nu corespunde cu valoarea de pe scala adâncimii de tăiere**
- Indicator de linie de tăiere P <sup>11</sup>
  - pentru ghidarea sculei de-a lungul liniei dorite de tăiere marcate pe piesa de prelucrat
  - pentru o tăiere dreaptă la 0° sau o tăiere înclinată la 45°, utilizați linia indicatoare în cauză.
- ! **partea lată a reazemului trebuie să se așeze pe partea sprijinită a piesei de prelucrat**
- ! **lățimea de tăiere este determinată de lățimea danturii pâzei și nu de lățimea corpului pâzei**
- ! **faceți întotdeauna mai întâi tăieri de test pentru verificarea liniei efective de tăiere**
- Aspirarea a prafului <sup>12</sup>

Atașați adaptorul pentru aspirator R la orificiul de aspirare a prafului Q cu ajutorul șurubului cu cap Phillips Pentru utilizarea aspiratorului

  - conectați furtunul aspiratorului la adaptorul aspiratorului R
- ! **nu lăsați niciodată furtunul aspiratorului să interfereze cu protecția inferioară F sau cu operațiunea de tăiere**
- Sacul de praf
  - montați sacul de praf AC \*NU ESTE INCLUS ÎN STANDARD
- Utilizarea sculei
  - montați bateria
  - țineți întotdeauna ferm mânerul din spate S cu o mână și mânerul din față T cu cealaltă mână.
  - așezați scula cu partea din față a reazemului direct pe piesa de prelucrat
- ! **asigurați-vă că dantura fierăstrăului nu este angajată în piesa de prelucrat**
- porniți scula apăsând mai întâi comutatorul de siguranță W și apoi apăsând comutatorul de declanșare V
- ! **scula trebuie să funcționeze la turația completă înainte ca pâza să intre în piesa de prelucrat**
- dispozitivul inferior de protecție F se deschide automat atunci când pâza ferăstrăului intră în piesa de lucru (pentru tăieri speciale, cum ar fi tăieri de adâncime, deschideți manual dispozitivul inferior de protecție, folosind maneta G)
- ! **nu forțați instrumentul (aplicați presiune ușoară și continuați pentru a evita supraîncălzirea vârfurilor pâzei)**
- după terminarea tăierii, oprți scula prin eliberarea comutatorului de declanșare V
- ! **asigurați-vă că pâza s-a oprit complet din**

**mișcare înainte de a ridica scula de pe piesa de prelucrat**

## SFATURI PENTRU UTILIZARE

- Îndreptați întotdeauna partea bună a piesei de prelucrat în jos pentru a asigura așchiera minimă.
- Folosiți numai pânze de ferăstrău ascuțite de tipul corect <sup>13</sup>
  - calitatea tăierii se îmbunătățește în funcție de numărul de dinți
  - pânzele placate cu carburi rămân ascuțite pe perioade de până la de 30 de ori mai mult decât pânzele obișnuite
- Tăieturi transversale/tăieturi în lung (de despicare) <sup>14</sup>

Tăierile încrucișate sau tăierile în lung sunt ușor de realizat cu un ghidaj paralel Y.

  - aliniați linia de ghidare cu indicatorul 0° al liniei de tăiere P de pe picior
  - introduceți un ghidaj paralel Y prin fantele din fiecare parte a piciorului la lățimea dorită și fixați-l cu ajutorul butonului Z.
- ! **asigurați-vă că ghidajul paralel nu interferează cu mișcarea liberă a protecției inferioare și a pânzei de ferăstrău.**
- Tăierea prin scufundare <sup>15</sup>
  - setați adâncimea dorită de tăiere
  - înclinați scula înainte, cu indicatorul liniei de tăiere P aliniat cu linia de tăiere dorită marcată pe piesa de prelucrat
  - deschideți dispozitivul de protecție inferior F cu maneta G
  - chiar înainte ca pâza să intre în piesa de prelucrat, conectați scula și treptat coborâți capătul din spate al sculei folosind partea din față a reazemului ca punct de basculare
  - treptat, mișcați scula în jos și înainte
  - de îndată ce pâza intră în material, eliberați maneta G
- ! **nu trageți niciodată scula înapoi**
- Tăierea panourilor mari <sup>16</sup>
  - sprijiniți panoul aproape de tăietură fie pe pardoseală, fie pe masă sau pe bancul de lucru
- ! **setați adâncimea de tăiere astfel încât să străpungeți panoul și nu suportul**
- în cazul în care ghidajul paralel nu permite lățimea dorită a tăieturii, fixați sau bateți în cuie o bucată dreaptă de lemn pe piesa de prelucrat ca ghidaj și folosiți partea dreaptă a piciorului împotriva acestui ghidaj <sup>17</sup>
- Tăierea cu ajutorul unei șine de ghidare <sup>18</sup>

\*NU ESTE INCLUS ÎN VERSIUNEA STANDARD

Utilizarea unei șine de ghidare oferă tăieturi precise, drepte și exacte, fie la 45°, fie la 90°.

Înainte de a efectua prima tăiere cu șina de ghidare, buza de cauciuc trebuie adaptată la ferăstrăul circular utilizat.

  - pentru o tăietură dreaptă la 90°, aliniați latura oblică la 90° a șinei AD (sau latura oblică la 45° atunci când efectuați o tăiere oblică la 45°) cu linia de tăiere dorită marcată pe piesa de prelucrat.
  - fixați ferm șina de ghidare AD pe piesa de prelucrat cu ajutorul clemelor pentru șina de ghidare AE <sup>18</sup> \*NU ESTE INCLUSĂ ÎN STANDARD
  - glisați ferăstrăul pe șina de ghidare AD, asigurați-vă că ferăstrăul poate aluneca liber pe șină fără să se

balanseze în lateral.


- atunci când setați adâncimea de tăiere, nu uitați să țineți cont de grosimea șinei de ghidare AD.
- ghidați ferăstrăul în mod uniform cu o viteză de avans lentă prin capătul șinei de ghidare AD.
- Pentru mai multe informații, consultați [www.skil.com](http://www.skil.com)

## ÎNTREȚINEREA / SERVICE-UL

- Această mașină nu este destinată utilizării profesionale
- Păstrați întotdeauna scula curată.  
**! scoateți bateria din scula electrică înainte de curățare**
- Păstrați întotdeauna curată zona din jurul protecției inferioare F<sup>(2)</sup> (îndepărtați praful și așchiile suflând cu aer comprimat sau cu o perie).
- Curățați pânza de ferăstrău imediat după utilizare (în special de rășini și lipici).
- În cazul în care scula se defectează în ciuda griii acordate în procedurile de fabricație și de testare, reparația trebuie efectuată de un centru de service post-vânzare pentru scule electrice SKIL.
  - trimiteți scula în totalitatea lui cu bonul de cumpărare la distribuitorul sau la centrul de service SKIL cel mai apropiat (adrese și diagrame de service se găsesc la [www.skil.com](http://www.skil.com))
- Trebuie să fiți conștienți de faptul că deteriorarea datorată supra-sarcinii sau utilizării incorecte a sculei va duce la excluderea din garanție (pentru condițiile de garanție SKIL consultați [www.skil.com](http://www.skil.com) sau întrebați distribuitorul)

## MEDIUL ÎNCONJURĂTOR

Numai pentru țările UE

- **Nu aruncați sculele electrice, accesoriile sau ambalajele direct la pubelele de gunoi**
  - Directiva Europeană 2012/19/EC face referire la modul de aruncare a echipamentelor electrice și electronice și modul de aplicare a normelor în conformitate cu legislația națională; sculele electrice în momentul în care au atins un grad avansat de uzură și trebuie aruncate, ele trebuie colectate separat și reciclate într-un mod ce respectă normele de protecție a mediului înconjurător
  - simbolul  vă va reaminti acest lucru atunci când apare nevoia de eliminare
- ! înainte aruncare protejați terminalele bateriei cu lentă protectoare pentru a preîntâmpina scurtcircuitul**

## ZGOMOT / VIBRAȚII

- Măsurat în conformitate cu EN 62841, nivelul de presiune acustică al acestei scule este de 94 dB(A) și nivelul de putere acustică de 102 dB(A) (incertitudine K = 3 dB), iar vibrațiile <math>2,5 \text{ m/s}^2</math> (sumă vectorială triax; incertitudine K = 1,5 m/s<sup>2</sup>).
- Nivelul emisiilor de vibrații a fost măsurat în conformitate cu un test standardizat precizat în EN 62841; poate fi folosit pentru a compara o sculă cu alta și ca evaluare preliminară a expunerii la vibrații atunci când folosiți scula pentru aplicațiile menționate
  - utilizarea sculei pentru diferite aplicații sau cu accesorii diferite sau prost întreținute poate **crește** semnificativ

nivelul de expunere.

- momentele în care scula este oprită sau când este în funcțiune, dar nu execută efectiv lucrarea, poate **reduce** semnificativ nivelul de expunere.


**! protejați-vă împotriva efectelor vibrațiilor prin întreținerea sculei și a accesoriilor sale, păstrând mâinile calde și organizând procesele de lucru**

BG

## Безчетков циркулярен трион

3551

## ВЪВЕДЕНИЕ

- Този инструмент е предназначен за надлъжно и напречно рязане на дърво с право рязане, а също и с рязане под ъгъл до 45°
- Този инструмент не е предназначен за професионална употреба
- Прочетете и пазете това ръководство за работа 

## ТЕХНИЧЕСКИ ДАННИ

## МАШИНИ ЕЛЕМЕНТИ

- A** Шестостенен ключ
  - B** Отделение за съхранение за шестостенния ключ
  - C** Бутон за заключване на шпиндела
  - D** Болт
  - E** Фланец
  - F** Долен предпазител
  - G** Лост за отваряне на долния предпазител
  - H** Затягаща повърхност
  - J** Основна плоча
  - K** Копче за задаване на дълбочината на рязане
  - L** Индикатор за дълбочината на рязане
  - M** Копче за регулиране ъгъла на рязане
  - N** Индикатор за ъгъла на рязане
  - P** Индикатор на линията на рязане
  - Q** Изходен отвор за извличане на прах
  - R** Адаптер за прахосмукачки
  - S** Сек Задна ръкохватка
  - T** Предна ръкохватка
  - U** Прорез за направляваща релса\*
  - V** Спусък превключвател
  - W** Предпазен превключвател
  - X** LED циферблат за почистване
  - Y** Паралелен водач
  - Z** Копче за регулиране на паралелния водач
  - AA** Режещ диск
  - AB** АИндикатор за нивото на заряд на батерията
  - AC** АТорбичка за прах\*
  - AD** АНаправляваща релса\*
  - AE** АСкоба за направляваща релса\*
- \* Е ВКЛЮЧЕНО СТАНДАРТНО

## БЕЗОПАСНОСТ

### УКАЗАНИЯ ЗА БЕЗОПАСНА РАБОТА С МАШИНАТА

 **ПРЕДУПРЕЖДЕНИЕ** Прочетете всички предупреждения за безопасност, инструкции,

илюстрации и спецификации предоставени с този електрически инструмент. Неспазването на всички инструкции изброени долу може да доведе до токов удар, пожар и/или сериозно нараняване.

**Запазете всички предупреждения и инструкции за бъдеща справка.**

Терминът “Електрически инструмент” в предупрежденията се отнася до захранвани от мрежата (кабелни) електрически инструменти или захранвани чрез батерия (безкабелни) електрически инструменти.

### 1) БЕЗОПАСНОСТ В РАБОТНАТА ЗОНА

- a) **Поддържайте работната зона чиста и добре осветена.** Разхвърляни или тъмни работни зони поражат инциденти.
- b) **Не работете с електрически инструменти в експлозивна атмосфера, като например в присъствието на запалими течности, газ или прах.** Електрическият инструмент създава искра, която може да възпламени праха или изпаренията.
- c) **Дръжте на разстояние децата и страничните лица, докато работите с електрически инструмент.** Разсейването може да причини загуба на контрол.

### 2) ЕЛЕКТРИЧЕСКА БЕЗОПАСНОСТ

- a) **Щепселите на електрически инструмент трябва да съответстват на контакта. Никога не модифицирайте щепсела по какъвто и да е начин. Не използвайте какъвто и да е адаптер със заземени електрически инструменти.** Немодифицираните щепсели и съответстващите контакти ще намалят риска от електрически шок.
- b) **Избягвайте контакт на тялото със заземени повърхности, като тръби, радиатори, кухненски печки и хладилници.** Съществува повишена опасност от токов удар, ако тялото Ви е заземено.
- c) **Не излагайте електрическите инструменти на дъжд или влажни условия.** Навлизането на вода в електрическия инструмент ще увеличи риска от токов удар.
- d) **Не злоупотребявайте с кабела. Никога не използвайте кабела за пренасяне, изтегляне или изключване от контакта на електрическия инструмент.** Дръжте кабела настрана от топлина, масло, остри ръбове или движещи се части. Повредени или оплетени кабели увеличават риска от електрически удар.
- e) **Когато работите с електрически инструмент на открито, използвайте удължителен кабел подходящ за употреба на открито.** Употребата на кабел подходящ за употреба на открито намалява риска от електрически удар.
- f) **Ако работата с електрическия инструмент на влажно място е неизбежна, използвайте захранване с дефенотновова защита (RCD).** Употребата на RCD намалява риска от токов удар.

### 3) ЛИЧНА БЕЗОПАСНОСТ

- a) **Внимавайте, гледайте какво правите и използвайте здрав разум, когато работите с електрически инструмент. Не използвайте електрически инструмент, когато сте уморени**

**или когато сте под влияние на наркотици, алкохол или лекарства.** Момент невнимание по време на работата с електрически инструмент, може да доведе до сериозно лично нараняване.

- b) **Използвайте лични предпазни средства. Винаги носете защита за очите.** Защитно оборудване като прахови маски, не плъзгащи се безопасна обувки, твърде каска или защита за слуха използвана при подходящи условия ще намали риска от лични наранявания.
  - c) **Предотвратете непреднамерено пускане. Уверете се, че ключът е в изключена позиция, преди да свържете към захранване и/или батерия, повдигайки или носейки инструмента.** Пренасянето на електроинструменти с пръст на превключателя или наелектризиран електроинструменти с включен превключател създава условия за злополуки.
  - d) **Извадете всеки регулиращ ключ или гаечен ключ, преди да включите захранването.** Гаечен или друг ключ оставен закачен към въртящите се части на електрическия инструмент, може да доведе до лично нараняване.
  - e) **Не се протягайте. Запазете правилна стойка и баланс по всяко време.** Това позволява по-добър контрол върху електрическия инструмент в непредвидени ситуации.
  - f) **Облечете се подходящо. Не носете свободни дрехи или накити. Дръжте носата и дрехите си далеч от движещи се части.** Свободни дрехи, накити или дълга коса, могат да бъдат хванати в движещите се части.
  - g) **Ако са предоставени устройства за свързване на прахоуловител или съоръжения за събиране, уверете се, че те са свързани и са правилно използвани.** Употребата на устройства за събиране на прах може да намали рисковете свързани с прах.
  - h) **Не позволявайте на рутинната придобита от честата употреба на инструмента да позволи да станете небрежни и да игнорирате принципите за безопасност на инструмента.** Небрежно действие може да причини сериозно нараняване за части от секундата.
- ### 4) УПОТРЕБА И ГРИЖА ЗА ЕЛЕКТРИЧЕСКИЯ ИНСТРУМЕНТ
- a) **Не пресилвайте електрически инструмент. Използвайте правилния електрически инструмент за вашата работа.** Правилният електрически инструмент ще свърши работата по-добре и по-безопасно при капацитета за който е проектиран.
  - b) **Не използвайте електрическия инструмент ако ключът не го включва или изключва.** Всеки електрически инструмент, който не може да бъде контролиран от ключа е опасен и трябва да бъде поправен.
  - c) **Разкачете щепсела от захранването и/или извадете батерията, ако може да се извади, от електрическия инструмент, преди да извършите настройки, смяна на аксесоари или съхраняване на инструментите.** Подобни превантивни мерки за безопасност намаляват риска от стартиране на инструмента инцидентно.

- d) **Дръжте свободния електрически инструмент извън достъпа до деца и не позволявайте хора, които не са запознати с електрически инструмент или тези инструкции да работят с него.** Електрическите инструменти са опасни в ръцете на необучени потребители.
- e) **Поддръжка на електрически инструменти и аксесоари.** Проверете за разместване или блокиране на подвижни части, счупване на части, и всякакви други условия, които могат да повлияят на работата на електрическия инструмент. При повреда ремонтирайте инструмента преди употреба. Много инциденти са причинени от лошо поддръжкани електрически инструменти.
- f) **Дръжте режещите инструменти остри и чисти.** Правилно поддръжкани режещи инструменти, с остри режещи ръбове е по-малко вероятно да се заклеят и по-лесно се контролират.
- g) **Използвайте електрическия инструмент, аксесоарите, частите на инструмента и т.н в съответствие с тези инструкции, като вземете предвид условията на работа и вида работа, която ще бъде извършвана.** Употребата на електрическия инструмент за дейности различни от предназначенията може да доведе до опасни ситуации.
- h) **Дръжте ръкохватките и повърхностите за захващане сухи, чисти и без масло и грес.** Хлъзгавите ръкохватки и места за захващане не позволяват безопасно боравене и контролиране на инструмента при неочаквана ситуация.
- 5) УПОТРЕБА И ГРИЖА ЗА ИНСТРУМЕНТ С БАТЕРИЯ**
- a) **Презареждайте само със зарядното устройство определено от производителя.** Зарядно устройство, което е подходящо за един вид акумулаторна батерия може да създаде опасност от пожар, когато се използва с друга акумулаторна батерия.
- b) **Използвайте електрически инструменти само със специфично обозначени акумулаторни батерии.** Използването на всяка друга акумулаторна батерия може да създаде риск от нараняване и пожар.
- c) **Когато акумулаторните батерии не са в употреба ги дръжте на разстояние от други метални обекти, като кламери, монети, ключове, пирони, отвертки или други малки метални предмети, които могат да направят свързване между клемите.** Свързване на късо на клемите на батерията може да причини изгаряне или пожар.
- d) **При условия на злоупотреба , може да се изхвърли течност от батерията. Избягвайте контакт. В случай на инцидентен контакт измийте с вода.** Ако течността влезе в контакт с очите, потърсете допълнителна медицинска помощ. Течността изхвърлена от батерията може да причини раздразнение или изгаряния.
- e) **Не използвайте акумулаторна батерия или инструмент, които са повредени или модифицирани.** Повредените или модифицираните батерии може да проявят непредсказуемо поведение, което да доведе до пожар, експлозия или риск от нараняване.
- f) **Не излагайте батерията или инструмента на огън или прекомерна температура.** Излагане на огън или температури над 130 °C може да причини експлозия.
- g) **Следвайте всички инструкции за зареждане и не зареждайте батерията или инструмента извън температурния обхват зададен в инструкциите.** Неправилното зареждане или зареждане извън определения температурен обхват може да повреди батерията и да повиши риска от пожар.
- 6) ОБСЛУЖВАНЕ**
- a) **Обслужвайте вашия електрически инструмент чрез квалифициран техник, като използвате само идентични резервни части.** Това ще осигури поддръжването на безопасност на електрическия инструмент.
- b) **Никога не поправяйте повредени акумулаторни батерии. Ремонтът на акумулаторни батерии трябва да бъде извършван от производителя или оторизиран сервиз.**

## ИНСТРУКЦИИ ЗА БЕЗОПАСНОСТ ЗА БЕЗЧЕТКОВИ ЦИРКУЛЯРНИ ТРИОНИ

### ИНСТРУКЦИИ ЗА БЕЗОПАСНОСТ ЗА ВСИЧКИ ТРИОНИ

- a) **⚠ ОПАСНОСТ:** Дръжте ръцете си далеч от зоната на рязане и ренеция диск. Дръжте втората си ръка на спомагателната ръкохватка или корпуса на двигателя. Ако и двете ръце държат триона, те не могат да бъдат прерязани от режещия диск.
- b) **Не посгайте под детайла.** Предпазителят не може да ви предпази от диска под детайла.
- c) **Регулирайте дълбочината на рязане според дебелината на детайла.** Под детайла трябва да се виждат по-малко от един пълен зъб на зъбите на диска.
- d) **Никога не дръжте детайла в ръце или напречно на крапа си, докато режете. Закрепете детайла към стабилна платформа.** Важно е да поддържате детайла правилно, за да сведете до минимум излагането на риск на тялото, засядането на диска или загубата на контрол.
- e) **Дръжте електрическите инструменти само за изолираните повърхности за захващане, когато изпълнявате операция, при която режещият инструмент може да влезе в контакт със скрит кабел.** Контакт с кабел „под напрежение“ може да направи откритите метални части „под напрежение“ и може да причини на оператора токов удар.
- f) **Когато разделяте, винаги използвайте ограда за разделяне или водач с прав ръб.** Това подобрява точността на рязане и намалява вероятността от засядане на диска.
- g) **Винаги използвайте режещи дискове с правилния размер и форма (във вид на диамант вместо кръгли) на отворите за закрепване.** Режещи дискове, които не съответстват на монтажните части на циркулярния трион, ще се въртят ексцентрично, причинявайки загуба на управление.
- h) **Никога не използвайте повредени или**

**неправилни шайби или болтове.** Шайбите и болтовете на диска са специално проектирани за вашия трион, за оптимална работа и безопасност при работа.

## **ДОПЪЛНИТЕЛНИ ИНСТРУКЦИИ ЗА БЕЗОПАСНОСТ ЗА ВСИЧКИ ТРИОНИ**

### **ПРИЧИНИ ЗА ОТКАТ И СВЪРЗАНИ ПРЕДУПРЕЖДЕНИЯ**

- откат е внезапна реакция на притиснат, заседнал или неправилно подравнен диск на триона, причиняващ неконтролирано повдигане на триона нагоре и навън от детайла към оператора;
- когато дискът е притиснат или здраво заседнал от затварянето на прореза, дискът спира и двигателната реакция придвижва устройството бързо обратно към оператора;
- ако дискът се усуче или се разцентрова в разреза, зъбите на задния ръб на диска могат да се заклинят в горната повърхност на дървото, причинявайки изкачване на диска от вдлъбнатината и отскачане назад към оператора.

Откатът е в резултат на злоупотреба с триона и/или неправилни процедури или условия на работа и може да бъде избегнат като се вземат правилни предпазни мерки, които са посочени долу.

- Поддържайте здрав захват с две ръце на триона и разположете ръцете си така, че да се противопоставят на силите на отката. Разположете тялото си от двете страни на режещия диск, но не на една линия с него.** Откатът може да доведе до отскачане на триона назад, но силата на отката може да се контролира от оператора, ако се вземат подходящи предпазни мерки.
- Когато дискът е заседнал или когато пренъсват рязането по някаква причина, освободете спусъка и задръжте триона неподвижен в материала, докато дискът спре напълно. Никога не се опитвайте да извадите триона от детайла или да дърпате триона назад, докато дискът е в движение или може да настъпи откат.** Прочетете и предприемете коригиращи действия, за да отстраните причината за засядането на диска.
- Когато рестартирате трион в детайла, центрирайте режещия диск в прореза, така че зъбите на триона да не се зацепват в материала.** Ако дискът на триона заседне, той може да се изкачи или да отскочи от детайла при рестартирането на триона.
- Поддържайте големи панели, за да сведете до минимум риска от прищипване и откат на диска.** Големите панели са склонни да провисват под собственото си тегло. Опорите трябва да се поставят под панела от двете страни, близо до линията на рязане и близо до ръба на панела.
- Не използвайте тъпи или повредени дискове.** Незаточени или неправилно поставени режещи дискове произвеждат тесен срез причиняващ прекомерно триене, засядане на диска и откат.
- Заклучващите лостове за регулиране на дълбочината и наклона трябва да са затегнати**

**и сигурни, преди да извършите рязането.** Ако регулирането на диска се измести по време на рязане, това може да причини засядане и откат.

- Бъдете особено внимателни при рязане в съществуващи стени или други слепи зони.**

Издаващият се диск може да отреже предмети, които могат да причинят откат.

### **ФУНКЦИЯ НА ДОЛНИЯ ПРЕДПАЗИТЕЛ**

- Преди всяка употреба проверявайте долния предпазител за правилно затваряне. Не работете с триона, ако долният предпазител не се движи свободно и се затваря незабавно. Никога не захващайте и не завързвайте долния предпазител в отворено положение. Ако трионът бъде изпуснат случайно, долният предпазител може да се огъне.** Повдигнете долния предпазител с прибиращата се дръжка и се уверете, че се движи свободно и не докосва диска или коята и да е друга част, във всички ъгли и дълбочини на рязане.
- Проверете работата на пружината на долния предпазител. Ако предпазителът и пружината не работят правилно, те трябва да бъдат обслужени преди употреба.** Долният предпазител може да работи бавно поради повредени части, лепкави отлагания или натрупване на отломки.
- Долният предпазител може да се прибира ръчно само за специални разрези като “врязващи се разрези” и “сложни разрези”.** Повдигнете долния предпазител за прибиращата се дръжка и веднага щом дискът влезе в материала, долният предпазител трябва да се освободи. За всички други видове рязане долният предпазител трябва да работи автоматично.
- Винаги съблюдавайте това, долният предпазител да покрива диска, преди да поставите триона върху пейка или под.** Незащитен, движещ се по инерция диск ще накара триона да се върти назад, като отрязва всичко всичко, което му попадне по своя път. Бъдете наясно с времето, необходимо за спиране на диска, след освобождаване на превключвателя.

### **ОБЩО**

- Този инструмент не трябва да се използва от лица под 16 години.
- Този инструмент не е подходящ за мокро рязане.
- **Не обработвайте съдържащ азбест материал** (азбестът е канцерогенен).
- Прахът от някои материали, като например съдържаща олово боя, някои видове дървесина, минерали и метали може да бъде вреден (контакт или вдишване на такъв прах могат да причинят алергични реакции и/или респираторни заболявания на оператора или стоящите наблизо лица); **използвайте противопрахова маска и работете с аспиращо праха устройство, когато такова може да бъде свързано.**
- Определени видове прах са класифицирани като карциногенни (като прах от дъб и бук) особено когато са комбинирани с добавки за подобряване на състоянието на дървесината; **използвайте противопрахова маска и работете с аспиращо праха устройство, когато такова може да бъде свързано.**
- Спазвайте свързаните с праха национални

изисквания за материалите, с които искате да работите.

- Не използвайте този трион в комбинация с маса за трион.
- Изваждайте батерията от инструмента преди всякакви регулировки или смяна на аксесоари.

#### АНЕСОАРИ

- SKIL може да осигури безаварийна работа на инструмента, само ако се използват оригинални допълнителни приспособления.
- Използвайте само аксесоари с допустима скорост, съответстваща поне на най-високата скорост на празен ход на инструмента.
- Използвайте само режещи дискове, които съответстват на посочените в това ръководство за експлоатация данни и са изпитани и маркирани по EN 847-1.
- Използвайте само режещи дискове с диаметър 165 мм и отвор на шпиндела 16 мм.
- Никога не използвайте дискове за шлайфване/рязане с този инструмент.

#### ПРЕДИ ИЗПОЛЗВАНЕ

- Избягвайте повреди, които могат да бъдат причинени от винтове, гвоздеи и други метални елементи в обработвания детайл; отстранете ги преди да започнете работата.
- Преди да започнете да режете, отстранете всички препятствия отгоре и отдолу на пътя за рязане.
- **Обезопасете работния материал** (материал, затегнат в затягащ инструмент или в менгеме е по-устойчив, отколкото ако се държи в ръка).
- **За да откриете скрити под повърхността електро-, водо- и газопроводи, използвайте подходящи уреди или се обърнете към местното снабдително дружество** (прекъсването на електрически проводници под напрежение може да предизвика пожар и/или токов удар; увреждането на газопровод може да предизвика експлозия; засягането на водопровод може да предизвика значителни материални щети и/или токов удар).

#### ПО ВРЕМЕ НА ИЗПОЛЗВАНЕ

- Нивото на шума при работа може да надвишава 85 dB(A); носете защита за слуха.
- Никога не използвайте инструмента без оригиналната система от предпазители.
- Не се опитвайте да режете изключително малки детайли.
- Не работете над главата с инструмента.
- В случай на засядане или електрическа, или механична неизправност изключете незабавно инструмента и извадете батерията.

#### СЛЕД ИЗПОЛЗВАНЕ

- Когато оставяте инструмента, изключете двигателя и се уверете, че всички подвижни части са напълно неподвижни.
- След като изключите циркулярния трион, никога не спирайте въртенето на режещия диск чрез странична сила, приложена срещу него.

#### АНУМАЛАТОРНИ БАТЕРИИ

- **Доставената в комплекта батерия е частично заредена** (за да осигурите пълен капацитет на батерията, заредете напълно батерията в зарядното устройство за батерия, преди да използвате вашия електроинструмент за първи път)
- Използвайте само следните батерии и зарядни устройства с този инструмент

- SKIL батерия: BR1\*31\*\*\*\*

- SKIL зарядно устройство: CR1\*31\*\*\*\*

- Не използвайте неизправна батерия; незабавно я заменете.
- Не разглобявайте батерията.
- Не излагайте на дъжд инструмента/батерията.
- Допустима температура на околната среда (инструмент/зарядно устройство/батерия):
  - при зареждане 4...40°C
  - по време на работа -20...+50°C
  - при съхраняване -20...+50°C

#### ОБЯСНЕНИЕ НА СИМВОЛИТЕ ВЪРХУ ИНСТРУМЕНТА

- ③ Преди употреба прочетете ръководството с инструкции
- ④ Хвърлен в огън, акумулаторът ще експлодира, така че не изгаряйте акумулатора по каквато и да е причина
- ⑤ Съхранявайте инструмента/зарядното устройство/батерията в помещения при температури, не по-високи от 50°C
- ⑥ Не изхвърляйте електроуредите и батерии заедно с битови отпадъци

#### УПОТРЕБА

- Зареждане на акумулаторната батерия  
**! прочетете предупрежденията и инструкциите за безопасност, доставени със зарядното устройство**
- Изваждане/инсталиране на батерията ②
- Индикатор за нивото на батерията ⑦
  - натиснете бутон а на индикатора на нивото на заряд на батерията АВ за показване на текущото ниво на заряд на батерията ⑦а
  - ! Когато най-ниското ниво на индикатора за батерията започне да мига след натискане на бутон а АВ ⑦b, батерията е разредена**
  - ! Когато 2 нива на индикатора на батерията започнат да мигат след натискане на бутон а АВ ⑦с, батерията не е в допустимия работен температурен диапазон**
- Светодиодна светлина със сенчеста линия ⑧
  - Вашият инструмент е снабден със светодиодна светлина за сенчеста линия, разположена под горния предпазител.
  - Това осигурява допълнително осветяване на режещия диск и повърхността на обработвания детайл.
  - Светодиодната светлина проектира сянка от режещия диск за насочване на инструмента по желаната линия на рязане, отбелязана върху детайла.
  - ! винаги изпробвайте първо върху ненужно парче материал**
  - Светодиодната светлина ще се включи автоматично с леко натискане на спусъка. Тя се изключва около 10 секунди след отпускане на спусъка превключвател.
  - ! Светодиодната светлина ще мига бързо, когато инструментът и/или акумулаторната батерия се претоварят или са твърде горещи и вътрешните сензори ще изключат инструмента. Оставете инструмента за известно време или поставете инструмента и акумулаторната батерия отделно под въздушен поток, за да се охладят.**



- ! **Светодиодната светлина ще мига по-бавно, за да покаже, че нивото на заряд на батерията е ниско. Презаредете акумулаторната батерия.**
- LED циферблатът за почистване X, вграден в горния предпазител, е проектиран да почиства светодиодната светлина. Когато светодиодната светлина стане слаба поради натрупания върху нея стърготини, завъртете диска за почистване на светодиоди X в произволна посока, за да премахнете стърготините и да направите светодиодната светлина отново ярка.
- **Защита на акумулаторната батерия**  
Инструментът внезапно се изключва или не може да се включи, когато
  - **натоварването е преналено голямо** --> премахнете натоварването и рестартирайте
  - **температурата на батерията е извън допустимия работен температурен диапазон от -20 до +50°C** --> 2 нива на индикатора за заряд на батерията започват да мигат, когато натискате бутона АВ ⑦c; изчакайте, докато батерията си възвърне допустимия работен температурен диапазон
  - **батерията е почти празна (за предпазване срещу пълно разреждане)** --> ниско ниво на батерията или мигащо ниско ниво на батерията ⑦b е показано чрез индикатора за заряд на батерията, когато натискате бутона АВ; заредете батерията
- ! **след автоматичното изключване на инструмента не продължавайте да натискате спусъка, понеже може да се повреди акумулаторната батерия**
- **Поставяне на режещ диск AA ②**  
! **извадете батерията от инструмента**  
- вземете шестостенния ключ А от мястото му за съхранение В  
- натиснете бутона за блокиране на шпиндела С и го задръжте, докато отстраните болта D като въртите шестостенния ключ А **ПО ЧАСОВНИКОВАТА СТРЕЛКА** (= в същата посока, както е показано със стрелка върху режещия диск)  
! **натиснете бутона за блокиране на шпиндела С само, когато инструментът е напълно спрял**  
- освободете бутона за блокиране на шпиндела С  
- отстранете фланеца Е  
! **проверете дали затягащите повърхности Н на фланците са съвършено чисти и с лице към диска**  
- отворете долния предпазител F с лостчето G и го задръжте, докато поставите режещия диск, така че режещите зъби и стрелката върху диска да сочат в същата посока, както и стрелката върху долния предпазител  
- освободете долния предпазител F  
- поставете фланеца Е  
- натиснете бутона за блокиране на шпиндела С го задръжте, докато затягате болта D с шестостенен ключ А на 1/8 оборота след позицията на ръчно затягане (позволява приплъзване на режещия диск при голямо съпротивление, което намалява претоварването на двигателя и отката)  
- освободете бутона за блокиране на шпиндела С
- **Регулиране на дълбочината на рязане (0-57 мм) ⑨**
  - разхлабете копчето K
  - повдигнете/спуснете плочата за крака J, докато желаната дълбочина на рязане бъде зададена на скалата с помощта на индикатора за дълбочина на рязане L
  - затегнете копчето K
  - за оптимално качество на рязане режещият диск на триона не трябва да се издава на повече от един зъб под детайла
- **Регулиране на ъгъла на рязане (0 – 45°) ⑩**
  - разхлабете копчето M
  - наклонете инструмента, докато на скалата бъде настроен ъгълът на рязане, като използвате индикатора за ъгъла на рязане N
  - затегнете копчето M
- ! **при рязане на скосвания, дълбочината на рязане не съответства на стойността на скалата за дълбочина на рязане**
- **Индикатор на линията на рязане P ⑪**
  - за водене на инструмента по желаната линия на рязане, маркирана върху обработвания детайл
  - за прав 0° разрез или 45° скосен разрез използвайте съответната линия на индикатора
- ! **широката част на опората трябва да легне върху поддържаната страна на обработвания детайл**
- ! **ширината на рязане се определя от ширината на зъбите на диска, а не от ширината на тялото на диска**
- ! **винаги първо извършвайте пробни рязания, за да проверите действителната линия на рязане**
- **Изсмукване на праха ⑫**  
Прикрепете адаптера R на прахосмукачката към порта Q на прахоуловителя с винт с кръстосана глава  
За използване на прахосмукачка
  - свържете маркуча на прахосмукачката към адаптера за прахосмукачка R
- ! **внимавайте тръбата на прахосмукачката да не преци на долния предпазител F или на операцията рязане**  
Торбичка за прах
  - монтирана торбичка за прах AC \*NE E ВКЛЮЧЕНА СТАНДАРТНО
- **Работа с инструмента**
  - монтиране на батерията
  - винаги дръжте задната ръкохватка S здраво с едната ръка и предната ръкохватка T здраво с другата ръка
  - поставете инструмента с предния край на крака плоско върху детайла
- ! **уверете се, че зъбите на циркуляра не са опрени в обработвания детайл**  
- включете инструмента, като първо натиснете предпазен изключвател W и след това издърпате спусъка превключвател V
- ! **преди режещият диск да влезе в детайла, инструментът трябва да работи на пълна скорост**  
- долният предпазител F се отваря автоматично, когато режещият диск влезе в обработвания детайл (отворете долния предпазител ръчно като използвате лостчето G само за специални рязания, например рязане на вътрешни прорези)

- ! **не насилвайте инструмента (приложете лек и непрекъснат натиск, за да не прегреят върховете на остриетата)**
- след завършване на рязането, изключете инструмента чрез освобождаване на спусъка превключвател V
- ! **преди да вдигнете инструмента от детайла, се уверете, че режещият диск е в пълен покой**

## СЪВЕТИ ЗА ПРИЛОЖЕНИЕТО

- Винаги насочвайте добрата страна на детайла надолу, за да осигурите минимално раздробяване.
- Използвайте само остри режещи дискове от правилния тип 13
  - качеството на рязане се подобрява от броя на зъбите
  - режещите дискове с карбиден връх остават остри до 30 пъти по-дълго време от обикновените режещи дискове
- Напречни разрези/прорезни разрези 14
  - Напречни или прорезни разрези се извършват лесно с паралелен водач Y.
  - изравнете ориентира с индикатора за линия на рязане 0° P на крачето
  - вкарвайте паралелния водач Y през прорезите от двете страни на стъпалото до желаната ширина и го закрепете с ръкохватката Z
- ! **следете предпазителя против разкъсване да не пречи на свободното движение на долния предпазител и на режещия диск**
- Рязане чрез връзване 15
  - настройте желаната дълбочина на рязане
  - наклонете инструмента напред към индикатора на линията на рязане P подравнен с желаната линия на рязане, маркирана на обработвания детайл
  - отворете долния предпазител F с лостчето G
  - точно преди режещият диск да влезе в детайла, включете инструмента и постепенно спуснете задния край на инструмента, като използвате предния край на крака като точка на завъртане
  - постепенно премествайте инструмента надолу, както и напред
  - веднага щом режещият диск навлезе в материала, освободете лостчето G
- ! **никога не дърпайте инструмента назад**
- Рязане на големи панели 16
  - подпирайте панела близо до рязането на пода, масата или работната маса
- ! **настройте дълбочината на рязане така, че да режете през таблото, а не през стойката**
- в случай че паралелният водач не позволява желаната ширина на рязане, стегнете или приковете право парче дърво към обработвания детайл като водач и използвайте дясната страна на опората срещу този водач 17
- Рязане с направляваща релса 19
  - \*НЕ Е ВКЛЮЧЕНО СТАНДАРТНО
  - Използването на направляваща релса осигурява прецизни, прави и точни срезове с 45° или 90° скосяване.
  - Преди да направите първия разрез с направляващата релса, гуменият ръб трябва да се адаптира към използвания циркуляр.

- за прав 90° срез, подравнете страната с 90° скок на релсата AD (или страната с 45° скок при 45° срез) с желаната линия на срез, отбелязана върху детайла.
- Закрепете здраво направляващата релса AD върху обработвания детайл с помощта на скоби за направляваща релса AE 18 \*НЕ СА ВКЛЮЧЕНИ СТАНДАРТНО
- плъзнете режещия диск върху направляващата релса AD, уверете се, че режещият диск може да се плъзга свободно по релсата, без да се люлее настрани.
- когато настройвате дълбочината на рязане, не забравяйте да вземете предвид дебелината на направляващата релса AD.
- насочвайте режещия диск равномерно с бавна скорост на подаване през края на направляващата релса AD.
- За повече информация вижте [www.skil.com](http://www.skil.com)

## ПОДДРЪЖКА/СЕРВИЗ

- Тази машина не е предназначена за професионална употреба.
- Винаги дръжте инструмента чист.
- ! **извадете батерията от инструмента преди почистване**
- Винаги поддържайте чиста зоната около долния предпазител F2 (отстранете чрез издухване със сгъстен въздух или с четка праха и стъргоитините).
- Почиствайте режещия диск веднага след употреба (особено от смола и лепило).
- Ако инструментът се повреди въпреки грижите, положени при производството и изпитването, ремонтът трябва да се извърши в център за следпродажбено обслужване на електроинструменти SKIL.
- занесете инструмента в неразглобен вид заедно с доказателство за покупката му в търговския обект, откъдето сте го закупили, или в най-близкия сервиз на SKIL (адресите, както и схемата за сервизно обслужване на електроинструмента, можете да намерите на адрес [www.skil.com](http://www.skil.com))
- Имайте предвид, че повреда поради претоварване или неправилно манипулиране с инструмента ще бъдат изключени от гаранцията (за условията на гаранцията от SKIL виж на интернет адрес: [www.skil.com](http://www.skil.com) или попитайте вашия дилър).

## ОКОЛНА СРЕДА

Само за страни от ЕС

- **Не изхвърляйте електроуредите, приспособленията и опаковките заедно с битови отпадъци**
- съобразно Директивата на ЕС 2012/19/ЕО относно износени електрически и електронни уреди и отразяването ѝ в националното законодателство износените електроуреди следва да се събират отделно и да се предават за рециклиране според изискванията за опазване на околната среда
- символът 6 ще ви напомни за това, когато е необходимо изхвърляне
- ! **преди да изхвърлите батерията, защитете изводите ѝ с дебела лепенка, за да няма**

## ШУМ / ВИБРАЦИИ

- Измерено в съответствие с EN 62841, нивото на звуковото налягане на този инструмент е 94 dB(A), а нивото на звуковата мощност 102 dB(A) (неопределеност K = 3 dB) и вибрацията <math><2.5 \text{ m/s}^2</math> (триаксиална векторна сума; неопределеност K = 1,5 m/s<sup>2</sup>).
- Нивото на предадените вибрации е измерено в съответствие със стандартизирания тест, определен в EN 62841; то може да се използва за сравнение на един инструмент с друг и като предварителна оценка на подлагането на вибрации при използването на инструмента за посочените приложения
  - използването на инструмента за различни от тези приложения или с други, или лошо поддържани аксесоари може значително да повиши нивото, на което сте подложени.
  - периодите от време, когато инструмента е изключен или съответно включен, но с него не се работи в момента могат значително да намалят нивото на което сте подложени.
- ! **предпазвайте се от ефектите от вибрациите, като поддържате инструмента и аксесоарите му, пазите ръцете си топли и организирате вашите модели на работа**

SK

## Bezkontaktná kotúčová píla 3551

### ÚVOD

- Tento prístroj je určený na pozdĺžne a priečne rezanie dreva rovnými rezmi ako aj uhlovými rezmi do 45°
- Toto náradie nie je vhodné na profesionálne použitie
- Prečítajte si a odložte tento návod na obsluhu ③

### TECHNICKÉ ÚDAJE ①

### ČASTI STROJA ②

- A Šesťhranný kľúč
- B Úložné miesto pre imbusový kľúč
- C Tlačidlo aretácie vretena
- D Skrutka
- E Príruba
- F Spodný chránič
- G Páčka pre otvorenie spodného chrániča
- H Upínacia plocha
- J Základňa pätky
- K Koliesko na nastavenie hĺbky rezu
- L Indikátor hĺbky rezu
- M Gombík pre nastavenie uhlu rezania
- N Kontrolka uhla rezu
- P Ryska rezu
- Q Otvor na odsávanie prachu
- R Adaptér na vysávač
- S Zadná rukoväť
- T Predná rukoväť
- U Slot vodiacej lišty

- V Hlavný vypínač
  - W Bezpečnostný spínač
  - X Čistiaci gombík pre LED
  - Y Paralelné vedenie
  - Z Gombík na nastavenie paralelného vedenia
  - AA Pílový kotúč
  - AB Indikátor nabitia akumulátora
  - AC AVrecko na prach\*
  - AD AVodiaca lišta\*
  - AE ASvorka vodiacej lišty\*
- \* ŠTANDARDNE SA NEDODÁVA

## BEZPEČNOSŤ

### VŠEOBECNÉ BEZPEČNOSTNÉ UPOZORNENIA TÝKAJÚCE SA STROJA

**VAROVANIE** Prečítajte si všetky bezpečnostné výstrahy, pokyny, ilustrácie a technické údaje dodané s týmto elektrickým nástrojom. Nedodržanie nižšie uvedených pokynov môže mať za následok úraz elektrickým prúdom, požiar a/alebo vážne zranenie.

**Všetky varovania a pokyny si ponechajte pre prípadnú potrebu v budúcnosti.**

Termín „elektrické náradie“ vo varovaniach znamená váš elektrický prístroj zapojený (cez kábel) do prívodu elektrickej energie alebo napájaný (bezdrôtovo) z akumulátora.

#### 1) BEZPEČNOSŤ PRACOVISKA

- a) **Udržujte pracovisko čisté a dobre osvetlené.** Neporiadok alebo tmavé miesta spôsobujú nehody.
- b) **Nepoužívajte elektrické náradie vo výbušnom prostredí, napríklad v prítomnosti horľavých kvapalín, plynov alebo prachu.** Elektrické náradie je zdrojom iskrenia, ktoré môže zapáliť prach alebo výpary.
- c) **Pri používaní elektrického náradia udržiavajte deti a okolostojace osoby mimo pracoviska.** Rozptýľovanie pozornosti môže viesť ku strate kontroly.

#### 2) ELEKTRICKÁ BEZPEČNOSŤ

- a) **Zástrčka elektrického náradia musí zodpovedať elektrickej zásuvke. Nikdy a žiadnym spôsobom nemodifikujte zástrčku.** Nepoužívajte žiadne rozbočovacie zástrčky s uzemneným elektrickým náradím. Neupravené zástrčky a vhodné zásuvky obmedzia nebezpečenstvo úrazu elektrickým prúdom.
- b) **Zabráňte kontaktu tela s uzemnenými povrchmi, ako sú rúry, radiátory, sporáky a chladničky.** Dochádza k zvýšeniu rizika úrazu elektrickým prúdom, ak je vaše telo uzemnené.
- c) **Chráňte elektrické náradie pred dažďom a vlhkým prostredím.** Vniknutie vody do elektrického náradia zvyšuje riziko úrazu elektrickým prúdom.
- d) **Nepoužívajte kábel nesprávnym spôsobom. Nepoužívajte ho na prenášanie, ťahanie alebo odpájanie elektrického náradia.** Udržujte kábel v dostatočnej vzdialenosti od zdrojov tepla, oleja, ostrých hrán alebo pohyblivých častí. Poškodená alebo zamotaná šnúra zvyšuje riziko zasiahnutia elektrickým prúdom.
- e) **Ak sa chystáte náradie použiť v exteriéroch, použite výhradne predĺžovaciu šnúru vhodnú na použitie v exteriéroch.** Použitie šnúry vhodnej pre použitie v

- exteriérov znižuje riziko úrazu elektrickým prúdom.
- f) **Ak je používanie elektrického náradia vo vlhkom prostredí nevyhnutné, použite napájanie chránené prúdovým chráničom (RCD).** Použitie prúdového chrániča znižuje riziko úrazu elektrickým prúdom.
- 3) BEZPEČNOSŤ OSÔB**
- a) **Buďte pozorní, sledujte to, čo robíte a používajte zdravý rozum pri práci s elektrickým náradím. Nepoužívajte elektrické náradie, ak ste unavení alebo pod vplyvom drog, alkoholu alebo liekov.** Chvil'ková nepozornosť pri práci s elektrickým náradím môže mať za následok vážne zranenie.
- b) **Používajte osobné ochranné pomôcky. Vždy používajte ochranu očí.** Ochranné prostriedky ako respirátor, protišmyková bezpečnostná obuv, prilba alebo chrániče sluchu použité za vhodných podmienok znižujú nebezpečenstvo zranenia.
- c) **Zabráňte neúmyselnému uvedeniu stroja do prevádzky. Pred pripojením k zdroju napájania a/ alebo akumulátoru, pri zdvíhaní alebo prenášaní náradia sa uistite, že prepínač je vo vypnutej polohe.** Prenášanie náradia s prstom na spínači, alebo prenášanie zapnutého elektrického náradia zvyšuje riziko úrazu.
- d) **Pred spustením náradia vždy odstráňte nastavovací klin alebo kľúč.** Kľúč alebo klin, ktorý necháte pripevnený k otáčajúcej sa časti elektrického náradia, môže spôsobiť zranenie osôb.
- e) **Neprečeňujte sa. Pri práci vždy dodržujte správny postoj a rovnováhu.** To umožňuje lepšiu ovládateľnosť náradia v nečakaných situáciách.
- f) **Noste vhodné oblečenie. Nenoste šperky alebo voľný odev. Udržujte vlasy a oblečenie mimo dosah pohyblivých sa častí.** Voľný odev, šperky alebo dlhé vlasy môžu byť zachytené pohyblivými sa dielmi.
- g) **Pokiaľ je náradie vybavené zariadením na zachytávanie prachu a úlomkov materiálu, skontrolujte, či je k náradíu správne pripavené.** Použitie odsávania prachu môže znížiť nebezpečenstvo, ktoré súvisí s prachom.
- h) **Nedovoľte, aby ste sa po získaní skúseností častým používaním náradia stali neobozretnými a ignorovali zásady bezpečnosti.** Nedbalá činnosť môže spôsobiť vážne zranenie za zlomok sekundy.
- 4) POUŽITIE ELEKTRICKÉHO NÁRADIA A STAROSTLIVOSŤ**
- a) **Stroj nepreťažujte. Používajte správny typ náradia určený na danú prácu.** Náradie bude pracovať lepšie a bezpečnejšie pri rýchlosti, na ktorú bolo navrhnuté.
- b) **Nepoužívajte elektrické náradie, ak sa nedá zapnúť a vypnúť použitím vypínača.** Akékoľvek elektrické náradie, ktoré sa nedá ovládať vypínačom je nebezpečné a musí sa opraviť.
- c) **Pred akýmkoľvek nastavením, výmenou príslušenstva alebo pred uložením nepoužívaného elektrického náradia odpojte akumulátor, ak sa to dá.** Takéto preventívne bezpečnostné opatrenia znižujú riziko náhodného spustenia elektrického náradia.
- d) **Uchovávať nepoužívané elektronáradie mimo dosahu detí a nedovoľte, aby osoby neoboznámene s elektrickým náradím alebo s týmito pokynmi náradie používali.** Elektrické náradie je nebezpečné v rukách neskúsených používateľov.
- e) **Udržujte elektrické náradie a príslušenstvo. Skontrolujte nastavenie pohyblivých častí, poškodenie dielov a akékoľvek ďalšie okolnosti, ktoré môžu mať vplyv na funkciu elektrického náradia. Ak je elektrické náradie poškodené, nechajte ho pred použitím opraviť.** Veľa úrazov je zapríčinených zle udržiavaným náradím.
- f) **Rezacie náradie udržiavajte ostré a čisté.** Starostlivo ošetrované rezné nástroje s ostrými čepeľami menej pravdepodobne uviaznu a jednoduchošie sa ovládajú.
- g) **Používajte elektronáradie, príslušenstvo, vrtáky apod. podľa týchto pokynov a rešpektujte pritom pracovné podmienky a vykonávanú činnosť.** Použitie elektrického náradia na iné ako určené účely môže viesť k nebezpečným situáciám.
- h) **Udržujte rukoväte a uchopovacie plochy suché, čisté, bez oleja a maziva.** Klzké držadlá a uchopovacie plochy neumožňujú bezpečnú manipuláciu s náradím a jeho ovládanie v nečakaných situáciách.
- 5) POUŽÍVANIE A STAROSTLIVOSŤ O AKUMULÁTOROVÝ NÁSTROJ**
- a) **Nabíjajte len pomocou nabíjačky špecifikovanej výrobcom.** Nabíjačka, ktorá je vhodná pre jeden typ akumulátora, môže predstavovať pri nabíjaní iného typu akumulátora nebezpečenstvo.
- b) **Používajte elektrické náradie iba s výslovné určenými akumulátormi.** Použitie iných typov akumulátorov môže spôsobiť riziko úrazu a požiaru.
- c) **Ak sa akumulátor nepoužíva, držte ho mimo iných kovových predmetov, ako sú sponky, mince, kľúče, klince, skrutkovice alebo iné malé kovové predmety, ktoré by mohli navzájom prepíjať kontakty akumulátora.** Skratovanie kontaktov akumulátora môže spôsobiť popálenie alebo požiar.
- d) **Za nevhodných podmienok môže z akumulátora unikáť kvapalina. Zabráňte kontaktu. Pri náhodnom kontakte opláchnite vodou.** Pri zasiahnutí očí vyhladajte lekársku pomoc. Unikajúca kvapalina z akumulátora môže spôsobiť podráždenie pokožky alebo popálenie.
- e) **Nepoužívajte akumulátor alebo nástroj, ktorý je poškodený alebo upravený.** Poškodené alebo upravené akumulátory môžu mať nepredvídateľné chovanie, ktoré môže viesť k požiaru, výbuchu alebo nebezpečenstvu poranenia.
- f) **Nevystavujte akumulátor ani nástroj ohňu alebo nadmernej teplote.** Pri vystavení ohňu alebo teplote nad 130 ° C môže dôjsť k výbuchu.
- g)  **Dodržujte všetky pokyny pre nabíjanie a nenabíjajte akumulátor alebo náradie mimo rozsah teplôt uvedených v pokynoch.** Nesprávne nabíjanie alebo nabíjanie pri teplotách mimo stanovený rozsah môže poškodiť akumulátor a zvýšiť riziko požiaru.
- 6) OPRAVA**
- a) **Náradie zverte do opravy kvalifikovanej osobe, ktorá použije iba originálne náhradné diely.** Zabezpečíte tak zachovanie bezpečnosti elektrického náradia.
- b) **Nikdy neopravujte poškodené akumulátory.** Servis akumulátorov smie robiť iba výrobca alebo autorizovaní servisní poskytovatelia.

**BEZPEČNOSTNÉ POKYNY PRE BEZKONTAKTNÉ KOTUČOVÉ PÍLY**

## BEZPEČNOSTNÉ POKYNY PRE VŠETKY PÍLY

- a) **NEBEZPEČENSTVO: Držte ruky mimo oblasti rezu a kotúča. Druhú ruku držte na prídavnej rukoväti alebo kryte motora.** Ak pílu držia obe ruky, list ich nemôže prerezať.
- b) **Nesiahajte pod obrobok.** Ochranný kryt vás nemôže chrániť pred kotúčom pod obrobkom.
- c) **Hĺbku rezu prispôbte hrúbke obrobku.** Pod obrobkom by mal byť viditeľný menej ako celý zub kotúčovej píly.
- d) **Pri rezaní nikdy nedržte obrobok v rukách alebo cez nohu. Zaisťte obrobok na stabilnej plošine.** Je dôležité správne podprieť opracovaný materiál, aby sa minimalizovalo vystavenie tela, uviaznutie kotúča alebo strata kontroly.
- e) **Pri činnostiach, pri ktorých môže rezný nástroj prísť do kontaktu so skrytým vedením, držte elektrické nástroj za izolované rukoväte.** Kontakt so „živým“ vodičom spôsobí, že aj nekruté kovové časti elektrického náradia budú „živé“ a operátorovi môže spôsobiť úraz elektrickým prúdom.
- f) **Pri pozdĺžnom rezaní vždy používajte vodiace alebo priamočiare vodidlo.** Zlepšuje to presnosť rezu a znižuje možnosť uviaznutia kotúča.
- g) **Vždy používajte kotúče správnej veľkosti a tvaru upínacích otvorov (kosoštvorcové verzus okrúhle).** Kotúče, ktoré sa nezhdujú s montážnym príslušenstvom píly, budú bežať výstredne, čo spôsobí stratu kontroly.
- h) **Nikdy nepoužívajte poškodené alebo nesprávne podložky alebo skrutky kotúča.** Podložky a skrutky kotúča boli navrhnuté špeciálne pre vašu pílu, aby bol zaistený optimálny výkon a bezpečnosť prevádzky.

## ĎALŠIE BEZPEČNOSTNÉ POKYNY PRE VŠETKY PÍLY

### PRÍČINY SPÄTNÉHO RÁZU A SÚVISIACE UPOZORNENIA

- spätný ráz je náhla reakcia na zovretý, zaseknutý alebo nesprávne zarovnaný pílový kotúč, ktorý spôsobí, že sa nekontrolovaná píla zdvihne a vystúpi z obrobku smerom k obsluhu;
- keď je kotúč zovretý alebo pevne zaseknutý zatvorením rezu, kotúč sa zastaví a motorická reakcia otočí zariadenie rýchlo späť k obsluhu;
- ak sa kotúč v reze skrúti alebo nie je zarovnaný, zuby na zadnom okraji kotúča sa môžu zarezáť do horného povrchu dreva, čo spôsobí, že kotúč vyskočí zo zárezu a odskočí späť k obsluhu.

Spätný ráz je dôsledkom nesprávneho použitia píly a/alebo nesprávnych prevádzkových postupov alebo podmienok a dá sa mu vyhnúť prijatím vhodných predbežných opatrení uvedených nižšie.

- a) **Držte pílu pevne oboma rukami a ruky umiestnite tak, aby odolali silám spätného rázu. Umiestnite svoje telo po stranách kotúča, ale nie v jednej rovine s kotúčom.** Spätný ráz môže spôsobiť, že píla skočí dozadu, ale sily spätného rázu môže ovládať operátor, ak sa prijímú vhodné opatrenia.
- b) **Keď sa kotúč zasekne alebo z akéhokoľvek dôvodu prerušíte rez, uvoľnite hlavný vypínač a držte pílu nehybne v materiáli, kým sa kotúč úplne nezastaví. Nikdy sa nepokúšajte pílu vytiahnuť z rezu alebo**

**ju ťahať dozadu, pokiaľ je kotúč v pohybe, inak by mohlo dôjsť k spätnému rázu.** Preskúmajte a vykonajte nápravné opatrenia na odstránenie príčiny uviaznutia kotúča.

- c) **Pri reštartovaní píly v obrobku vycentrujte pílový kotúč v záreze tak, aby zuby píly nezapadali do materiálu.** Ak sa pílový kotúč zasekne, môže sa pri opätovnom spustení píly zdvihnúť alebo spôsobiť spätný ráz od obrobku.
- d) **Podoprite veľké panely, aby ste minimalizovali riziko zovretia kotúča a spätného rázu.** Veľké panely majú tendenciu klesať pod vlastnou hmotnosťou. Podpery musia byť umiestnené pod panelom na oboch stranách, v blízkosti línie rezu a blízko okraja panelu.
- e) **Nepoužívajte tupé alebo poškodené kotúče.** Neostrené alebo nesprávne nastavené kotúče vytvárajú úzky rez, ktorý spôsobuje nadmerné trenie, uviaznutie kotúča a spätný ráz.
- f) **Pred rezaním musia byť zaistovacie páčky na nastavenie hĺbky a sklonu kotúča dotiahnuté a zaistené.** Ak sa nastavenie kotúča počas rezania posunie, môže to spôsobiť uviaznutie a spätný ráz.
- g) **Pri pílení do existujúcich stien alebo iných slepých oblastí buďte obzvlášť opatrní.** Vyčnievajúci kotúč môže rezať predmety, ktoré môžu spôsobiť spätný ráz.

### FUNKCIA SPODNÉHO CHRÁNIČA

- a) **Pred každým použitím skontrolujte, či je spodný chránič správne zatvorený. Nepoužívajte pílu, ak sa spodný kryt nepohybuje voľne a okamžite sa nezavrie. Spodný kryt nikdy neupínajte ani nezaistujte v otvorenej polohe.** Ak vám píla omylom spadne, môže dôjsť k ohnutiú dolného krytu. Zdvihnite spodný kryt pomocou zásuvnej rukoväte a uistite sa, že sa voľne pohybuje a nedotýka sa kotúča ani žiadnej inej časti, a to vo všetkých uhloch a hĺbkach rezu.
- b) **Skontrolujte činnosť pružiny spodného krytu. Ak ochranný kryt a pružina nepracujú správne, je potrebné ich pred použitím opraviť.** Spodný chránič môže fungovať pomaly v dôsledku poškodených častí, gumových usadenín alebo nahromadenia trosiek.
- c) **Spodný chránič je možné zasunúť ručne len pri špeciálnych rezoch, ako sú „ponorné rezy“ a „zložené rezy“.** Zdvihnite spodný chránič za zásuvnú rukoväť a keď kotúč vstúpi do materiálu, spodný chránič sa musí uvoľniť. Pri všetkých ostatných píleniach by mal spodný kryt pracovať automaticky.
- d) **Pred položením píly na lavicu alebo podlahu vždy skontrolujte, že či spodný chránič zakrýva kotúč.** Nechránený, voľne sa otáčajúci kotúč spôsobí, že sa píla bude pohybovať dozadu a prereže všetko, čo jej príde do cesty. Uvedomte si čas, za ktorý sa pílový kotúč po uvoľnení spínača zastaví.

### VŠEOBECNÉ

- Tento nástroj nesmú používať osoby mladšie ako 16 rokov.
- Tento prístroj nie je vhodný na rezanie za mokra.
- **Nepracujte s materiálmi obsahujúcimi azbest** (azbest sa považuje za karcinogénny).
- Prach z materiálu, akým je náter obsahujúci olovo, niektoré druhy dreva, minerály a kovy, môže byť škodlivý (kontakt alebo vdýchnutie prachu môže spôsobiť alergické reakcie a/alebo respiračné ochorenia obsluhy

a okolostojacich osôb); **používajte ochrannú masku tváre a pracujte so zariadením na odsávanie prachu, ak je takéto zariadenie možné pripojiť.**

- Určité druhy prachu sú klasifikované ako karcinogénne (napr. dubový a bukový prach), a to hlavne v spojení s prísadami na úpravu dreva; **používajte tvárovú ochrannú masku a pracujte so zariadením na odsávanie prachu, ak je takéto zariadenie možné pripojiť.**
- Dodržujte stanovené nariadenia pre prácu v prašnom prostredí.
- Nepoužívajte túto pílu spoločne s rezacím stolom.
- Pred nastavením alebo výmenou príslušenstva alebo vždy vyťahnite akumulátor.

#### PRÍSLUŠENSTVO

- SKIL môže zaistiť bezchybné fungovanie nástroja iba vtedy, ak sa používa originálne príslušenstvo.
- Používajte iba príslušenstvo, u ktorého hodnota prípustných otáčok zodpovedá minimálne najvyšším obrátkam náradia.
- Používajte iba pílové kotúče, ktoré zodpovedajú charakteristikám uvedeným v tomto návode na obsluhu a ktoré sú testované a označené podľa EN 847-1.
- Používajte len pílové kotúče s priemerom 165 mm a otvorom pre vreteno 16 mm.
- S týmto prístrojom nikdy nepoužívajte brúsne/rezné kotúče.

#### PRED POUŽITÍM

- Zabráňte poškodeniu náradia skrutkami, klincami a inými kovovými predmetmi v obrobru; odstráňte ich predtým, než začnete pracovať.
- Predtým než začnete rezať, odstráňte všetky prekážky na vrchnej a spodnej strane reznej dráhy.
- **Zaistite obroбок** (obroбок upnutý pomocou upínacích zariadení alebo vo zveráku je držaný bezpečnejšie ako rukou).
- **Použite vhodné detektory na nájdenie skrytých inžinierskych sietí alebo zavolajte na pomoc miestnu energetickú spoločnosť** (kontakt s elektrickými vedeniami môže viesť k požiaru alebo úrazu elektrickým prúdom; poškodenie plynového potrubia môže viesť k výbuchu; preniknutie do vodovodného potrubia spôsobí škody na majetku alebo elektrický šok).

#### POČAS POUŽÍVANIA

- Hlasitosť zapnutého prístroja môže byť viac ako 85 dB(A); používajte ochranu sluchu.
- Nikdy nepoužívajte prístroj bez originálneho ochranného systému.
- Nepokúšajte sa rezať veľmi malé kusy.
- Nepracujte so strojom v polohe nad hlavou.
- V prípade zaseknutia, elektrickej alebo mechanickej poruchy nástroj ihneď vypnite a vyberte akumulátor.

#### PO POUŽITÍ

- Skôr než nástroj položíte, presvedčte sa že je motor vypnutý a že sú všetky pohyblivé súčiastky zastavené.
- Po vypnutí kotúčovej píly nikdy nezastavujte rotáciu pílového kotúča aplikovaním bočnej sily.

#### AKUMULÁTORY

- **Dodaný akumulátor, ak je v dodávke, je čiastočne nabitý** (aby ste zabezpečili plnú kapacitu akumulátora, pred prvým použitím elektrického náradia ho úplne nabite v nabíjačke)
- **S týmto náradím používajte len nasledujúce akumulátory a nabíjačky**  
- Akumulátor SKIL: BR1\*31\*\*\*\*

- Nabíjačka SKIL: CR1\*31\*\*\*\*

- Akumulátor nepoužívajte, ak je poškodený; je potrebné ho ihneď vymeniť.
- Akumulátor nerozoberajte.
- Náradie ani akumulátor nevystavujte dažďu.
- Povolená teplota okolia (náradie/nabíjačka/akumulátor):
  - pri nabíjaní 4...40 °C
  - pri prevádzke - 20 ... + 50 °C
  - pri skladovaní - 20 ... + 50 °C

#### VYSVETLENIE SYMBOLOV UMIESTNENÝCH NA NÁRADÍ

- ③ Pred použitím si prečítajte návod na použitie
- ④ Akumulátory po vhození do ohňa vybuchnú a preto ich nevhadzujte do ohňa zo žiadneho dôvodu
- ⑤ Náradie, nabíjačka a akumulátor skladujte na miestach, kde teplota neprekročí 50 °C
- ⑥ Nevhadzujte elektrické náradie a akumulátory do komunálneho odpadu

## OBSLUHA

- Nabíjanie akumulátora  
**! prečítajte si bezpečnostné výstrahy a pokyny dodané s nabíjačkou**
- Odstránenie/inštalácia akumulátora ②
- Kontrolka úrovne nabitia akumulátora ⑦
  - stlačením tlačidla kontroly nabitia akumulátora AB zobrazte aktuálny stav akumulátora ⑦a
  - ! keď po stlačení tlačidla AB ⑦b začne blikať najnižšia úroveň indikátora akumulátora, akumulátor je vybitý**
  - ! keď po stlačení tlačidla AB ⑦c začnú blikať 2 úrovne indikátora akumulátora, akumulátor nie je v povolenom rozsahu prevádzkovej teploty**
- LED svetlo tvoriace tieňovú líniu ⑧  
Vaše náradie je vybavené LED svetlom tvoriacim tieňovú čiaru, ktoré sa nachádza pod horným krytom. To poskytuje dodatočné osvetlenie pílového kotúča a povrchu obrobru.  
LED svetlo sa premieta ako tieň pílového kotúča na navedenie nástroja pozdĺž požadovanej čiaru rezu vyznačenej na obrobru.  
**! vždy to najskôr vyskúšajte na kúsku odpadového materiálu**  
Svetlo LED sa automaticky zapne ľahkým stlačením spúšťacieho spínača. Vypne sa približne 10 sekúnd po uvoľnení vypínača.  
**! Keď je náradie a/alebo akumulátor preťažený alebo príliš horúci, LED kontrolka začne rýchlo blikať a vnútorné senzory náradie vypnú. Nástroj na chvíľu odstavte alebo umiestnite nástroj a akumulátor oddelene do prúdu vzduchu, aby sa ochladil.**  
**! LED dióda bude blikať pomalšie, čo znamená, že úroveň nabitia akumulátora je nízka. Nabite akumulátor.**  
Čistiaci gombík pre LED X zabudovaný v hornom kryte je určený na čistenie LED svetla. Keď sa svetlo LED stlmí z dôvodu nahromadených pilín, otočte čistiaci gombík pre LED X v ľubovoľnom smere, aby ste odstránili piliny a svetlo LED sa opäť rozžiarilo.
- Ochrana akumulátora  
Náradie sa náhle vypína alebo sa nedá zapnúť v prípade, že  
- **záťaž je príliš vysoká** --> odstráňte záťaž a reštartujte

- **teplota akumulátora nie je v povolenom rozsahu prevádzkovej teploty - 20 až + 50 ° C** --> 2 úrovne indikátora úrovne akumulátora začnú blikať po stlačení tlačidla AB ⑦c; počkajte, kým sa akumulátor vráti do povoleného rozsahu prevádzkovej teploty

- **akumulátor je takmer vybitý (na ochranu pred hlbokým vybitím)** --> po stlačení tlačidla AB sa na indikátore úrovne akumulátora zobrazí nízka úroveň nabitia akumulátora ⑦b alebo blikanie nízkej úrovne nabitia akumulátora; nabite akumulátor

**! keď sa nástroj automaticky vypne, nestláčajte hlavný vypínač; akumulátor sa môže poškodiť**

- Montáž pilového kotúča AA ②

**! vyberte akumulátor z náradia**

- vezmite si imbusový kľúč A z úložiska B

- stlačte tlačidlo aretácie vretena C a podržte ho, kým odstránite skrutku D pilového kotúča otáčaním imbusového kľúča A **V SMERE HODINOVÝCH RUČÍČIEK** (= v rovnakom smere ako šípka vytlačena na pilovom kotúči)

**! aretáčné tlačidlo vretena C stláčajte len vtedy, keď je prístroj v úplne pokoji**

- uvoľnite blokovacie tlačidlo vretena C

- odstráňte prírubu E

**! uistite sa, že upínacie plochy H prírub sú dokonale čisté a smerujú ku kotúčom**

- otvorte spodný chránič F pomocou páky G a podržte ho, kým namontujete pilový kotúč s pilovými zubami a šípkou vytlačenou na pilovom kotúči, ktorá ukazuje v rovnakom smere ako šípka na spodnom chrániči

- uvoľnite spodný chránič F

- montážna prírubu E

- stlačte tlačidlo aretácie vretena C a držte ho, kým prstom uťahujete skrutku D pilového kotúča pomocou šesťhranného kľúča A o 1/8 otáčky (zabezpečuje sklznutie pilového kotúča, keď narazí na nadmerný odpor, čím sa zníži preťaženie motora a spätný ráz pily)

- uvoľnite blokovacie tlačidlo vretena C

- Nastavenie hĺbky rezu (0-57 mm) ⑨

- uvoľnite gombík K

- zdvihnite/spustite nožnú dosku J, kým sa na stupnici nenastaví požadovaná hĺbka rezu pomocou ukazovateľa hĺbky rezu L

- utiahnite gombík K

- pre optimálnu kvalitu rezu nesmie byť pilový kotúč vysunutý viac ako jeden zub pod opracovávaným predmetom

- Nastavenie uhla rezu (0-45°) ⑩

- uvoľnite gombík M

- nakláňajte prístroj, kým sa požadovaný uhol rezu nenastaví na stupnici pomocou kontrolky N

- utiahnite gombík M

**! pri rezaní pod uhlom nezodpovedá hĺbka rezu hodnote na stupnici pre hĺbku rezu**

- Ryska rezu P ⑪

- pre vedenie nástroja pozdĺž požadovanej čiary rezu vyznačenej na obrobku

- pre priamy rez pod uhlom 0° alebo šikmý rez pod uhlom 45° používajte príslušnú rysku

**! široká strana základovej dosky musí ležať na podoprenej strane opracovávaného predmetu**

**! šírka rezu je určená šírkou zubov kotúča a nie šírkou telesa kotúča**

**! vždy najskôr vykonajte skúšobný rez na overenie skutočnej čiary rezu**

- Odsávanie prachu ⑫

Pripojte adaptér vysávača R k otvoru na odsávanie prachu Q pomocou skrutky s krížovou hlavou  
Pre používanie vysávača

- pripojte hadicu vysávača k adaptéru vysávača R

**! nikdy nedovoľte, aby hadica vysávača zasahovala do spodného chrániča F alebo rezania**

Vrecko na prach

- montážne vrecko na prach AC \* ŠTANDARDNE SA NEDODÁVA

- Používanie náradia

- vložte akumulátor

- vždy jednou rukou pevne držte zadnú rukoväť S a

druhou rukou pevne držte prednú rukoväť T

- položte stroj prednou stranou pätky na obrobok

**! skontrolujte, či zuby kotúča nezasahujú do opracovávaného predmetu**

- ak chcete náradie zapnúť, stlačte najskôr

bezpečnostný vypínač W a potom potiahnite prepínač V

**! predtým, ako kotúč vnikne do opracovávaného predmetu musí stroj bežať na plné otáčky**

- spodný chránič F sa otvorí automaticky, keď pilový kotúč vstúpi do obrobku (spodný kryt otvoríte manuálne pomocou páky G len pre špeciálne rezy, ako sú ponorné rezy)

**! netlačte príliš na nástroj (vyvíjajte mierny a plynulý tlak tak, aby sa predišlo prehrievaniu špičiek čepeli)**

- po dokončení rezu vypnite prístroj uvoľnením spúšťacieho spínača V

**! pred zdvihnutím nástroja z obrobku sa uistite, že sa kotúč úplne zastavil**

## APLIKAČNÉ RADY

- Vždy líčujte dobrou stranou obrobku nadol, aby ste zaistili minimálne triesky.

- Používajte iba ostré pilové kotúče správneho typu ⑬

- kvalita rezu sa zvyšuje počtom zubov

- kotúče s karbidovým hrotom zostávajú ostré až 30-krát dlhšie ako bežné kotúče

- Priečne rezy/odrezky ⑭

Priečne alebo pozdĺžne rezy sa ľahko vykonávajú s paralelným vedením Y.

- zarovnajete vodiacu čiaru s ryskou rezu 0° P na pätku

- vložte paralelné vedenie Y cez otvory na oboch stranách pätky na požadovanú šírku a zaistite ho gombíkom Z

**! zabezpečte, aby vozidlo pre pozdĺžne rezanie nebránilo voľnému pohybu spodného krytu a pilového kotúča**

- Ponorný rez ⑮

- nastavte požadovanú hĺbku rezu

- nakloňte prístroj dopredu s ryskou rezu P zarovnanou s požadovanou čiarou rezu vyznačenou na obrobku

- otvorte spodný chránič F pomocou páky G

- krátko predtým, ako kotúč vnikne do obrobku, zapnite stroj a postupne spúšťajte zadnú stranu stroja

používajúc prednú stranu pätky ako otočný bod

- postupne spúšťajte stroj smerom dole a tiež smerom dopredu

- akonáhle sa kotúč dostane do materiálu, uvoľnite páčku G
- ! **nikdy neťahajte stroj smerom dozadu**
- Rezanie veľkých panelov <sup>(16)</sup>
  - podoprite panel v blízkosti rezu, či už na podlahe, stole alebo pracovnom stole
  - ! **nastavte hĺbku rezu tak, aby ste prerezali panel a nie podporu**
  - v prípade, že paralelné vedenie neumožňuje požadovanú šírku rezu, upnite alebo pribite rovný kus dreva k obrobku ako vedenie a použite pravú stranu pätky proti tomuto vedeniu <sup>(17)</sup>
- Rezanie s vodiacou lištou <sup>(18)</sup>  
\*ŠTANDARDNE SA NEDODÁVA  
Použitie vodiacej lišty ponúka presné, rovné a presné rezy s uhlom 45° alebo 90°.
  - Pred vykonaním prvého rezu pomocou vodiacej lišty sa musí gumový okraj prispôbiť použitej kotúčovej pile.
  - pri priamom 90° reze zarovnajete 90° skosenú stranu lišty AD (alebo 45° skosenú stranu pri 45° skosenom reze) s požadovanou čiarou rezu vyznačenou na obrobku.
  - pevne zaistíte vodiacu lištu AD na obrobku pomocou svoriek vodiacej lišty AE <sup>(18)</sup>\*ŠTANDARDNE SA NEDODÁVA
  - nasuňte pílu na vodiacu lištu AD, uistite sa, že sa píla môže voľne posúvať po lište bez toho, aby sa kývala do strán.
  - pri nastavovaní hĺbky rezu nezabudnite zohľadniť hrúbku vodiacej lišty AD.
  - rovnomerne vedte pílu s pomalým posuvom cez koniec vodiacej lišty AD.
- Ďalšie informácie nájdete na adrese [www.skil.com](http://www.skil.com)

## ÚDRŽBA/SERVIS

- Tento stroj nie je určený na profesionálne použitie.
- Vždy udržiavajte nástroj čistý.
- ! **pred čistením vyberte akumulátor z náradia**
- Vždy udržiajte oblasť okolo spodného chrániča F <sup>(2)</sup> v čistote (prach a triesky odstráňte vyfúknutím stlačeným vzduchom alebo kefou).
- Hneď po použití očistite pilový kotúč (najmä od živice a lepidla).
- Ak by náradie napriek starostlivej výrobe a kontrole predsa len prestalo niekedy fungovať, nechajte opravu vykonať v autorizovanej servisnej opravovni elektrického náradia SKIL.
  - pošlite náradie v nerozloženom stave spolu s dokladom o kúpe vášmu predajcovi alebo najbližšiemu servisnému stredisku SKIL (adresy a servisná schéma nástroja sú uvedené na [www.skil.com](http://www.skil.com))
- Uvedomte si, že poškodenie spôsobené preťažením alebo nesprávnym zaobchádzaním bude zo záruky vylúčené (záručné podmienky spoločnosti SKIL nájdete na stránke [www.skil.com](http://www.skil.com) alebo si ich vyžiadajte u vášho predajcu).

## ŽIVOTNÉ PROSTREDIE

Len pre krajiny EÚ

- **Elektrické náradie, príslušenstvo a obaly nelikvidujte spolu s domovým odpadom**
  - v súlade s európskou smericou 2012/19/ES o odpade z elektrických a elektronických zariadení a jej

implementácie v súlade s vnútroštátnymi právnymi predpismi musí byť elektrické náradie, ktoré dosiahlo koniec svojej životnosti, zbierané oddelene od ostatného odpadu a musí sa vrátiť do ekologického recyklačného zariadenia

- pripomenie vám to symbol <sup>(6)</sup>, keď nastane čas likvidácie

! **pred likvidáciou zaizolujte vývody akumulátora hrubou páskou, aby ste zabránili skratu**

## HLUK / VIBRÁCIE

- Hladina akustického tlaku tohto prístroja meraná v súlade s normou EN 62841 je 94 dB(A) a hladina akustického výkonu 102 dB(A) (neurčitost K = 3 dB) a vibrácie < 2,5 m/s<sup>2</sup> (trojosový vektorový súčet; neurčitost K = 1,5 m/s<sup>2</sup>).
- Úroveň vibrácií bola nameraná v súlade so štandardizovanou skúškou uvedenou v EN 62841; môže sa použiť na porovnanie jedného náradia s iným a ako predbežné posúdenie vystavenia vibráciám pri použití náradia na uvedené aplikácie
  - používanie náradia na rôzne aplikácie alebo s rôznym alebo nedostatočne udržiavaným príslušenstvom môže výrazne **zvýšiť** úroveň expozície.
  - časy, počas ktorých je náradie vypnuté, alebo počas ktorých náradie beží, ale v skutočnosti nevykonáva prácu, môžu značne **znižiť** úroveň expozície.
- ! **chráňte sa pred účinkami vibrácií tak, že budete náradie a jeho príslušenstvo správne udržiavať, že nebudete pracovať so studenými rukami a že si vaše pracovné postupy správne zorganizujete**

HR

## Kružna píla bez četkica

3551

### UVOD

- Ovak je alat namijenjen za uzdužno i poprečno rezanje drveta ravnim i rezovima i rezovima pod kutom do 45°
- Ovak alat nije predviđen za profesionalnu upotrebu
- Pažljivo pročítajte i sačuvajte ove upute za upotrebu <sup>(3)</sup>

### TEHNIČKI PODACI <sup>(1)</sup>

### ELEMENTI STROJA <sup>(2)</sup>

- A Imbus ključ
- B Prostor za skladištenje imbus ključa
- C Gumb za blokadu vretena
- D Vijak
- E Prirubnica
- F Donji štitnik
- G Poluga za otvaranje donjeg štitnika
- H Stezna površina
- J Nožna pločica
- K Okretni gumb za namještanje rezne dubine
- L Indikator dubine rezanja
- M Okretni gumb za podešavanje kuta rezanja
- N Indikator kuta rezanja
- P Indikator linije rezanja
- Q Priključak sustava za odvod prašine
- R Adapter za usisavač



- S Stražnji rukohvat
- T Prednji rukohvat
- U Utor vodilice
- V Sklopka
- W Sigurnosna sklopka
- X Kotačić za čišćenje LED svjetla
- Y Paralelna vodilica
- Z Okretni gumb za podešavanje paralelne vodilice

- AA List pile
- AB APokazivač stanja napunjenosti baterije
- AC AVreća za prašinu\*
- AD AVodilica\*
- AE AStezač vodilice\*

\*NIJE U STANDARDNOJ OPREMI

## SIGURNOST

### OPĆA UPOZORENJA O SIGURNOSTI STROJA

**A UPOZORENJE** Pročitajte sva upozorenja, upute, ilustracije u vezi sigurnosti i tehničke podatke isporučene s ovim električnim alatom. Zanemarivanje svih uputa navedenih u nastavku može rezultirati strujnim udarom, požarom i/ili teškim ozljedama.

**Sačuvajte sva upozorenja i sve upute za buduće potrebe.**

Pojam "električni alat" u upozorenjima odnosi se na električni alat s napajanjem iz električne mreže (s kabelom) ili na električni alat s napajanjem iz baterije (bez kabela).

#### 1) SIGURNOST RADNOG PODRUČJA

- a) **Radno područje održavajte čistim i dobro osvijetljenim.** Pretrpana ili mračna područja izazivaju nesreće.
- b) **Električnim alatom nemojte rukovati u eksplozivnim atmosferama, primjerice u prisutnosti zapaljivih tekućina, plinova ili prašine.** Električni alat stvara iskre koje mogu zapaliti prašinu ili isparenja.
- c) **Udaljite djecu i promatrače za vrijeme rada s električnim alatom.** Ometanja mogu rezultirati gubitkom kontrole nad alatom.

#### 2) ELEKTRIČNA SIGURNOST

- a) **Utikači električnog alata moraju odgovarati utičnici. Nemojte izvoditi preinake na utikaču.** Utikače s adapterom nemojte koristiti s uzemljenim alatom. Nepreinačeni utikači i odgovarajuće utičnice smanjit će rizik od električnog udara.
- b) **Izbjegavajte kontakt tijela s uzemljenim površinama, kao što su slavine, radijatori, peći i hladnjaci.** Rizik od električnog udara je veći ako je tijelo uzemljeno.
- c) **Električni alat ne izlažite kiši ili mokrim uvjetima.** Prodor vode u električni alat povećat će rizik od električnog udara.
- d) **Kabel ne upotrebljavajte nepropisno. Kabel nemojte upotrebljavati za nošenje, povlačenje ili odvajanje električnog alata od električnog napajanja.** Kabel držite dalje od izvora topline, ulja, oštih rubova ili pokretnih dijelova. Oštećeni ili prignječeni kabeli povećavaju rizik od električnog udara.
- e) **Kada električnim alatom radite na otvorenom, upotrebljavajte produžni kabel prikladan za**

**upotrebu na otvorenom.** Uporaba kabela prikladnog za uporabu na otvorenom smanjuje rizik od električnog udara.

- f) **Ako je rad s električnim alatom u području s parom neizbježan, upotrebljavajte napajanje sa zaštitnim uređajem diferencijalne struje (RCD).** Uporaba zaštitnog uređaja diferencijalne struje smanjuje rizik od strujnog udara.

#### 3) OSOBNA SIGURNOST

- a) **Budite oprezni, gledajte što radite i vodite se načelima zdravog razuma kada radite s električnim alatom. Nemojte raditi s električnim alatom ako ste umorni ili pod utjecajem droge, alkohola ili lijekova.** Trenutak nepažnje tijekom rada s električnim alatom može rezultirati teškim tjelesnim ozljedama.
  - b) **Upotrebljavajte osobnu zaštitnu opremu. Nosite zaštitu za oči.** Zaštitna oprema poput maske za zaštitu od prašine, protuklizne sigurnosne obuće, kacige ili zaštite za sluh upotrijebljena za prikladne uvjete smanjit će tjelesne ozljede.
  - c) **Spriječite nenamjerno pokretanje. Prije spajanja na izvor napajanja i/ili baterijski modul, uzimanja ili nošenja alata uvjerite se da se sklopka nalazi u isključenom položaju.** Nošenje alata sa prstom na sklopci ili aktivacija alata sa uključenim prekidačem izaziva nezgode.
  - d) **Prije uključivanja električnog alata, uklonite sve ključeve za podešavanje ili stezne ključeve.** Ključ ili ključ za podešavanje ostavljen na rotacijskom dijelu električnog alata može rezultirati tjelesnim ozljedama.
  - e) **Nemojte se naginjati preko alata. Cijelo vrijeme održavajte propisno držanje i ravnotežu.** To će omogućiti bolju kontrolu nad električnim alatom u neočekivanim situacijama.
  - f) **Obucite se prikladno. Nemojte nositi široku odjeću i nakit. Kosu i odjeću držite dalje od pokretnih dijelova.** Pokretni dijelovi mogu zahvatiti široku odjeću, nakit ili dugu kosu.
  - g) **Ako su uređaji opremljeni priključkom za odvod i sakupljanje prašine, pobrinite se da se propisno spoje i upotrebljavaju.** Uporaba takve opreme umanjuje opasnost koja nastaje nakupljanjem prašine.
  - h) **Nemojte dopustiti da vas poznavanje alata stečeno čestom upotrebom učini samopodapnim te da ignorirate sigurnosna načela za alat.** Nepažljiv rad može rezultirati teškim ozljedama u djeliću sekunde.
- #### 4) UPORABA I NJEGA ELEKTRIČNOG ALATA
- a) **Ne forsirajte električni alat. Upotrebljavajte propisani električni alat za primjenu.** Propisani električni alat bolje će i sigurnije obaviti zadatak brzinom za koju je konstruiran.
  - b) **Nemojte upotrebljavati električni alat ako ga sklopka ne uključuje i isključuje.** Svaki električni alat koji se ne može upravljati sklopkom opasan je i potrebno ga je popraviti.
  - c) **Prije podešavanja, promjene nastavaka ili spremanja alata, odvojite utikač od električne utičnice i/ili izvadite baterijski modul iz alata, ako se može odvojiti.** Takve preventivne mjere sigurnosti smanjuju rizik od iznenadnog pokretanja električnog alata.
  - d) **Nekorištene električne alate skladištite izvan dohvata djece i nemojte dopustiti osobama koje**

ne poznaju električni alat ili ove upute da rukuju električnim alatom. Električni alati opasni su u rukama neobučениh korisnika.

- e) **Održavajte električne alate i dodatnu opremu.** Provjerite jesu li pokretni dijelovi centrirani ili spojeni, ima li polomljenih dijelova i postoji li stanje koje može utjecati na rad električnog alata. Ako je oštećen, električni alat dajte na popravak prije uporabe. Loše održavani električni alati uzrok su mnogih nesreća.
- f) **Rezne alate održavajte oštroma i čistima.** Propisno održavani rezni alati s oštrom reznim bridovima manje su sklони zaglavljivanju i lakši su za upravljanje.
- g) **Električni alat, dodatnu opremu i alatne nastavke i sl., upotrebljavajte u skladu s ovim uputama, uzimajući u obzir radne uvjete i zadatak koji je potrebno obaviti.** Uporaba električnog alata za radove drukčija od namjenske može rezultirati opasnim situacijama.
- h) **Rukohvate i površinu rukohvata održavajte suhim, čistim i očišćenim od ulja i masti.** Skliski rukohvati i skliske površine rukohvata onemogućuju sigurno rukovanje i upravljanje alatom u neočekivanim situacijama.

#### 5) UPORABA I NJEGA BATERIJSKOG ALATA

- a) **Punjenje obavljajte samo s punjačem kojeg je propisao proizvođač.** Punjač koji je prikladan za jedan tip baterijskog modula može stvoriti rizik od požara ako ga se upotrebljava s drugim baterijskim modulom.
- b) **Električni alat upotrebljavajte samo s izričito propisanim baterijskim modulima.** Uporaba drugih baterijskih modula može stvoriti rizik od ozljeda i požara.
- c) **Kad se baterijski modul ne upotrebljava, držite ga podalje od drugih metalnih predmeta poput spajalica za papir, kovanica, ključeva, čavala, vijaka ili drugih malih metalnih predmeta koji mogu međusobno spojiti kontakte.** Kratko spajanje baterijskih kontakata može prouzročiti opekline ili požar.
- d) **U slučaju neprimjerene uporabe, baterija može izbaciti tekućinu; izbjegavajte kontakt. Ako slučajno dođe do doticaja, zahvaćena mjesta isperite vodom.** Ako tekućina dođe u doticaj s očima, dodatno potražite pomoć liječnika. Tekućina koju izbacuje baterija može prouzročiti nadražnost kože ili opekline.
- e) **Ne upotrebljavajte oštećene ili preinačene baterijski modul ili alat.** Oštećene ili preinačene baterije mogu se ponašati nepredvidljivo i dovesti do požara, eksplozije ili opasnosti od ozljede.
- f) **Baterijski modul ili alat ne izlažite vatri ili previsokoj temperaturi.** Izrgavanje vatri ili temperaturi višoj od 130 °C može prouzročiti eksploziju.
- g) **Pridržavajte se svih uputa za punjenje, a baterijski modul ili alat nemojte puniti izvan raspona temperature navedenog u uputama.** Nepropisno punjenje ili punjenje pri temperaturama izvan propisanog raspona može oštetiti bateriju i povećati opasnost od požara.
- 6) **SERVISIRANJE**
  - a) **Servisiranje električnog alata prepustite kvalificiranom osoblju za popravak koje upotrebljava samo identične zamjenske dijelove.** Time će se osigurati održavanje sigurnosti električnog alata.
  - b) **Ne servisirajte oštećene baterijske module.**

Servisiranje baterijskog modula smiju obavljati samo proizvođač ili ovlašteni serviseri.

#### SIGURNOSNE UPUTE ZA KRUŽNE PILE BEZ ČETKICA

##### SIGURNOSNE UPUTE ZA SVE PILE

- a) **OPASNOST: Držite ruke podalje od područja rezanja i lista pile. Držite drugu ruku na pomoćnom rukohvatu ili kućištu motora.** Ako pilu držite objema rukama, list pile vas ne može porezati.
- b) **Nemojte posezati ispod izratka.** Štitnik vas ne može zaštititi od oštrice ispod izratka.
- c) **Podesite dubinu reza u skladu s debljinom izratka.** Ispod izratka smije biti vidljivo manje od punog zuba oštrice.
- d) **Nemojte držati izradak u rukama ili preko noge tijekom rezanja. Pričvrstite izradak na stabilnu platformu.** Pravilno podupiranje izratka važno je kako bi se na najmanju mjeru svelo izlaganje tijela, savijanje lista pile ili gubitak kontrole.
- e) **Kada obavljate radove gdje rezni pribor može doći u kontakt sa sakrivenim ožičenjem, električni alat držite za izolirane površine ručke.** Kontakt sa žicom pod naponom izložene metalne dijelove električnog alata može staviti pod napon i prouzročiti strujni udar.
- f) **Prilikom rezanja obvezno upotrebljavajte paralelni graničnik ili ravnu rubnu vodilicu.** Time se poboljšava točnost rezanja i smanjuje vjerojatnost zaglavljivanja oštrice.
- g) **Upotrebljavajte oštrice prikladne veličine i oblika (dijamantnog ili zaobljenog) za rupu osovine.** Listovi pile koji ne odgovaraju montažnom sklopu pile izmaknut će se iz sredine i dovesti do gubitka kontrole.
- h) **Nemojte upotrebljavati oštećene ili neispravne podloške ili matične vijke za list pile.** Podloške i matični vijak za list pile posebno su konstruirani za pilu kako bi se osigurali optimalan učinak i sigurnost rada.

##### DODATNE SIGURNOSNE UPUTE ZA SVE PILE

##### UZROCI POVRATNOG UDARA I POVEZANA UPOZORENJA

- povratni udarac je iznenadna reakcija na priklještenu, zaglavljenu ili neusklađenu oštricu pile, što uzrokuje podizanje nekontrolirane pile iz izratka prema rukovatelju;
- kad se oštrica priklješti ili čvrsto zaglavi zatvaranjem zasjeka, oštrica zapinje i reakcija motora pogoni uređaj brzo natrag prema rukovatelju;
- ako se oštrica iskrivi ili odstupi u rezu, zubi na stražnjem rubu oštrice mogu se zabiti u gornju površinu drva i uzrokovati penjanje oštrice iz zasjeka i iskakanje natrag prema rukovatelju.

Povratni udar rezultat je nepravilne upotrebe alata i/ili neispravnih radnih postupaka ili stanja i može se izbjeći poduzimanjem propisanih mjera opreza kako je navedeno u nastavku.

- a) **Čvrsto držite pilu s obje ruke i postavite ruke tako da se mogu oduprijeti silama povratnog udara. Tijelo pozicionirajte s obje strane lista pile, ali ne u ravnini s listom pile.** Povratni udar može prouzročiti iskakanje pile unatrag, ali rukovatelj može kontrolirati sile

povratnog udara ako se poduzmu odgovarajuće mjere opreza.

- b) **Ako se list pile zaglavi ili ako iz bilo kojeg razloga prekinete s rezanjem, otpustite okidač i držite pilu nepomično u materijalu dok se list pile potpuno ne zaustavi. Nemojte pokušavati ukloniti pilu iz izrađevine ili ju povlačiti unatrag dok je oštrica u pokretu ili može doći do povratnog udara.** Istražite i poduzmite korektivne mjere kako biste uklonili uzrok zaglavljivanja oštrice.
- c) **Prilikom ponovnog pokretanja pile u izrađevini, centrirajte oštricu u zasjek tako da zubi pile ne zahvate materijal.** Ako se oštrica pile zaglavi, može se izbaciti prema gore ili odskočiti iz izrađevine tijekom ponovnog pokretanja.
- d) **Poduprite velike ploče kako biste smanjili rizik od priklještenja oštrice i povratnog udara.** Velike ploče mogu se savijati pod vlastitom težinom. Podupirači se moraju postaviti ispod ploče s obje strane, blizu rezne crte i blizu ruba ploče.
- e) **Nemojte upotrebljavati tupe ili oštećene listove pile.** Nenaoštrene ili nepravilno postavljene oštrice stvaraju uske zasjeka i izazivaju preveliko trenje, zaglavljivanje oštrice i povratni udarac.
- f) **Ručice za zaključavanje i podešavanje dubine i nagiba lista pile moraju biti pritegnute i učvršćene prije rezanja.** Pomicanje ručice za podešavanje lista pile tijekom rezanja može prouzročiti zaglavljivanje lista pile i povratni udar.
- g) **Budite posebno oprezni kada pilite u postojećim zidovima ili drugim područjima koja se ne vide.** List pile koji strši može zahvatiti predmete koji mogu uzrokovati povratni udar.

#### FUNKCIJA DONJEG ŠTITNIKA

- a) **Prije svake uporabe provjerite zatvara li se donji štitnik pravilno. Nemojte upravljati pilom ako se donji štitnik ne kreće slobodno i odmah zatvara. Nemojte stezati ili vezati donji štitnik u otvoreni položaj.** Ako pila slučajno padne, donji štitnik može se saviti. Podignite donji štitnik ručkom za uvlačenje i provjerite kreće li se slobodno i dodiruje li oštricu ili bilo koji drugi dio, u svim kutovima i dubinama rezanja.
- b) **Provjerite rad opruge donjeg štitnika. Ako štitnik i opruga ne rade ispravno, moraju se servisirati prije uporabe.** Donji štitnik može raditi sporo zbog oštećenih dijelova, gumenih naslaga ili nakupljanja krhotina.
- c) **Donji štitnik može se uvući ručno samo za posebne rezove kao što su „uranjajući rezovi“ i „složeni rezovi“.** Podignite donji štitnik ručkom za uvlačenje, a čim list pile uđe u materijal donji štitnik je potrebno otpustiti. Za svo ostalo piljenje, donji štitnik mora raditi automatski.
- d) **Provjerite pokriva li donji štitnik list pile prije postavljanja pile na radni stol ili pod. Nezaštićena pokretna oštrica će uzrokovati pomicanje pile unatrag, režući sve u putanji.** Uzmite u obzir vrijeme potrebno da se list pile zaustavi nakon otpuštanja sklopke.

#### OPĆE

- Ovaj alat ne smiju upotrebljavati osobe mlađe od 16 godina.
- Ovaj alat nije prikladan za mokro rezanje.
- **Nemojte obrađivati materijale koji sadrže azbest**

(azbest se smatra kancerogenim).

- Prašina od materijala kao što su boje koje sadrže olovo, neke vrste drveća, minerali i metal mogu biti opasne (dodir s prašinom ili njeno udisanje mogu prouzročiti alergične reakcije i/ili respiratorna oboljenja rukovatelja ili promatrača); **nosite masku za zaštitu od prašine i radite s uređajem za ekstrakciju prašine ukoliko ga možete priključiti.**
- Određene vrste prašine klasificirane su kao kancerogene (npr. prašina hrasta i bukve), posebno u kombinaciji s aditivima za obradu drva; **nosite masku za zaštitu od prašine i upotrebljavajte uređaj za odvod prašine kada se može priključiti.**
- Pridržavajte se nacionalnih zahtjeva za prašinu za materijale s kojima namjeravate raditi.
- Ovu pilu nemojte upotrebljavati u kombinaciji sa stolom za pilu.
- Prije podešavanja ili zamjene pribora uklonite bateriju iz alata.

#### PRIBOR

- SKIL može osigurati besprijekoran rad uređaja samo ako se koristi originalni pribor.
- Upotrebljavajte samo pribor s dopuštenom brzinom koja je u skladu s najmanje maksimalnom brzinom alata bez opterećenja.
- Upotrebljavajte samo listove pile koji su u skladu s karakteristikama navedenim u ovim uputama za rukovanje i koji su ispitani i označeni u skladu s normom EN 847-1.
- Koristite samo listove pile promjera 165 mm i otvora vretena od 16 mm.
- S ovim alatom nemojte upotrebljavati brusne/rezne ploče.

#### PRIJE UPOTREBE

- Izbjegavajte oštećenja koja mogu uzrokovati vijci, čavli i drugi elementi u izratku; uklonite ih prije početka rada.
- Prije početka rezanja uklonite sve zapreke na gornjoj strani i ispod putanje rezanja.
- **Osigurajte izradak** (izradak stegnut u stezaljkama ili u škripcu drži se sigurnije nego rukom).
- **Upotrijebite odgovarajuće detektore za pronalazak skrivenih vodova ili nazovite lokalno poduzeće za pomoć** (kontakt s električnim vodovima može dovesti do požara ili strujnog udara; oštećenje plinskih cijevi može rezultirati eksplozijom; probijanje vodovodnih cijevi prouzročit će materijalnu štetu ili strujni udar).

#### TIJEKOM UPOTREBE

- Razina buke pri radu može prijeći 85 dB(A); nosite zaštitu za sluh.
- Alat nemojte upotrebljavati bez originalnog sustava štitnika.
- Nemojte pokušavati rezati vrlo male izratke.
- Alatom nemojte raditi iznad glave.
- U slučaju zaglavljivanja ili električnog ili mehaničkog kvara, odmah isključite alat i izvadite bateriju.

#### NAKON UPOTREBE

- Kada odložite alat, isključite motor i provjerite jesu li se svi pokretni dijelovi potpuno zaustavili.
- Nakon isključivanja kružne pile nemojte zaustavljati rotaciju lista pile primjenom bočne sile.

#### BATERIJE

- **Ako je isporučena baterija, ona će biti djelomično napunjena** (prije prve uporabe električnog alata, bateriju napunite do kraja u punjaču baterije kako biste osigurali potpuni kapacitet baterije).
- **S ovim alatom upotrebljavajte samo sljedeće baterije i punjače:**

- Baterija marke SKIL: BR1\*31\*\*\*\*
- Punjač marke SKIL: CR1\*31\*\*\*\*
- Nemojte upotrebljavati oštećenu bateriju; oštećenu bateriju potrebno je odmah zamijeniti.
- Ne rastavljajte bateriju.
- Ne izlažite kiši alat/bateriju.
- Dopuštena temperatura okruženja (alat/punjač/baterija):
  - pri punjenju 4...40 °C
  - tijekom rada -20...+50 °C
  - tijekom skladištenja -20...+50 °C

#### POJAŠNENJE SIMBOLA NA ALATU

- ③ Prije upotrebe pročitate upute za upotrebu.
- ④ Baterije mogu eksplozivirati ako se odlože u vatru, stoga ih nemojte spaljivati.
- ⑤ Alat/punjač/bateriju skladištite na mjestima gdje temperatura ne prelazi 50 °C.
- ⑥ Električne alate i baterije nemojte zbrinjavati s kućnim otpadom

## UPOTREBA

- Punjenje baterije
  - ! **pročitajte sigurnosna upozorenja i upute isporučene s punjačem**
- Uklanjanje/ugradnja baterije ②
- Indikator razine napunjenosti baterije ⑦
  - za prikaz trenutne razine napunjenosti baterije pritisnite gumb indikatora razine napunjenosti baterije AB ⑦a
  - ! **Kada nakon pritiska na gumb AB ⑦b najniža razina indikatora razine napunjenosti baterije počne treptati, baterija je prazna**
  - ! **kada nakon pritiska na gumb AB ⑦c dvije razine indikatora razine napunjenosti baterije počnu treptati, baterija nije u okviru dopuštenog raspona radne temperature**
- LED svjetlo linije sjene ⑧
  - Alat je opremljen LED svjetlom linije sjene koje se nalazi ispod gornjeg štitnika.
  - Ono osigurava dodatno svjetlo na listu pile i površini izratka.
  - LED svjetlo projicira sjenu lista pile za vođenje alata duž željene linije reza označene na izratku.
  - ! **prvo isprobajte na otpadnom komadu materijala LED svjetlo automatski će se uključiti laganim pritiskom okidačke sklopke. Uključit će se približno 10 sekundi nakon otpuštanja sklopke.**
  - ! **LED svjetlo brzo će treptati kada se alat i/ili baterijski modul preopreterete ili previše zagriju, a unutarnji senzori isključit će alat. Neka uređaj odstoji neko vrijeme ili zasebno izložite uređaj i baterijski modul struji zraka da se ohladi.**
  - ! **LED svjetlo treptat će sporije, što ukazuje da je baterijski modul skoro prazan. Napunite baterijski modul.**
  - LED kotačić za čišćenje X ugrađen u gornji štitnik dizajniran je za čišćenje LED svjetla. Kada LED svjetlo postane prigušeno zbog nakupljene piljevine, okrenite LED kotačić za čišćenje X u bilo kojem smjeru kako biste uklonili piljevinu i kako bi LED svjetlo ponovno punom snagom svijetlilo.
- Zaštita baterije
  - Alat se iznenadno isključuje ili se ne može uključiti, kada je

- **opterećenje previsoko** --> uklonite opterećenje i ponovno pokrenite
- **temperatura baterije nije u okviru dopuštenog raspona radne temperature od -20 °C do +50 °C** --> 2 razina indikatora razine napunjenosti baterije počinju treptati kada se pritisne gumb AB ⑦c; pričekajte da se baterija vrati u dopušteni raspon radne temperature
- **baterija je skoro prazna (za zaštitu od dubokog pražnjenja)** --> kada pritisnete gumb AB, indikator razine napunjenosti baterije ukazuje na nisku razinu napunjenosti ⑦b; napunite bateriju
- ! **nemojte dalje pritiskati sklopku za uključivanje/isključivanje nakon što se alat automatski isključi; time možete oštetiti bateriju**
- Postavljanje lista pile AA ②
  - ! **izvadite bateriju iz alata**
  - Iz prostora za skladištenje B izvadite imbus ključ A.
  - pritisnite gumb za blokadu vretena C i držite ga dok uklanjate vijak D okretanjem imbus ključa A U **SMJERU KAZALJKE NA SATU** (= u smjeru strelice utisnute na listu pile)
  - ! **gumb za blokadu vretena C pritisnite samo kada je alat potpuno zaustavljen**
  - otpustite gumb za blokadu vretena C
  - uklonite prirubnicu E
  - ! **provjerite jesu li stezne površine H prirubnica savršeno čiste i okrenute prema listu pile**
  - otvorite donji štitnik F polugom G i držite ga dok postavljate list pile sa zupcima pile i strelicom utisnutom na listu pile usmjerenim u istom smjeru kao strelica na donjem štitniku
  - otpustite donji štitnik F
  - postavite prirubnicu E
  - pritisnite gumb za blokadu vretena C i držite ga dok pritežete vijak D imbus ključem za 1/8 okreta nakon zatezanja prstom (ovime se osigurava da će list pile skliznuti ako naiđe na preveliki otpor i smanjiti preopterećenje motora i povratni udar pile)
  - otpustite gumb za blokadu vretena C
- Podešavanje dubine rezanja (0 - 57 mm) ⑨
  - otpustite okretni gumb K
  - podignite/spustite osnovu J tako da podesite željenu dubinu rezanja na ljestvici pomoću indikatora L
  - pritegnite okretni gumb K
  - za optimalnu kvalitetu reza list pile ne smije prelaziti više od jednog zupca ispod izratka
- Podešavanje kuta rezanja (0 - 45 °) ⑩
  - otpustite okretni gumb M
  - nagnite alat tako da podesite željeni kut rezanja na ljestvici pomoću indikatora kuta rezanja N
  - pritegnite okretni gumb M
  - ! **kod rezanja pod kutom dubina rezanja ne odgovara vrijednosti na skali dubine rezanja**
- Indikator linije rezanja P ⑪
  - Za vođenje alata duž željene linije rezanja označene na izratku.
  - za ravan rez od 0 ° ili kosi rez od 45 ° upotrebljavajte odgovarajuću liniju indikatora
  - ! **veći dio stopala treba nalijegati na oslonjeni dio izratka**
  - ! **širina rezanja se utvrđuje širinom zuba pile, a ne debljinom lista pile**

### ! prvo izvodite probne rezove kako bi se provjerila stvarna linija rezanja

- Usisavanje prašine <sup>(12)</sup>  
Pričvrstite adapter usisavača R na otvor za usisavanje prašine Q Phillips vijkom  
Za upotrebu usisavača  
- na adapter za usisavač R priključite crijevo usisavača
- ! crijevo usisavača ne smije ometati donji štitnik F ili postupak rezanja  
Vreća za prašinu  
- montiranje vrećice za prašinu AC \*NIJE U STANDARDNOJ OPREMI
- Rukovanje alatom  
- Postavite bateriju.  
- jednom rukom čvrsto držite stražnju ručku S, a drugom rukom čvrsto držite prednju ručku T  
- Alat postavite prednjim krajem nožne pločice na izradak.

### ! pazite da se zubi lista pile ne zaglave u izratku

- alat uključite pritiskom na sigurnosnu sklopku W i zatim povucite prekidač V

### ! pila treba postići maksimalni broj okretaja prije nego što list pile zareže izradak

- donji štitnik F automatski se otvara kada list pile prođe u izradak (ručno otvorite donji štitnik pomoću poluge G samo za posebne rezove, kao što su uranjajući rezovi)

### ! nemojte siliti alat (pritišćite lagano i stalno kako bi se izbjeglo pregrijavanje vrha noža)

- nakon završetka rezanja isključite alat otpuštanjem sklopke V

### ! uvjerite se da se list pile potpuno zaustavio prije podizanja alata s izratka

## SAVJETI ZA PRIMJENU

- Dobru stranu izratka okrenite prema dolje kako biste osigurali minimalno odlamanje.
- Koristite samo oštre listove pile ispravne vrste <sup>(13)</sup>  
- kvaliteta rezanja poboljšava se većim brojem zubaca  
- listovi pile s vrhom od karbida ostaju oštri do 30 puta dulje od uobičajenih listova pile
- Poprečni rezovi / uzdužni rezovi <sup>(14)</sup>  
Poprečni rezovi ili uzdužni rezovi lako se izvode pomoću paralelne vodilice Y.  
- poravnajte vodilicu s indikatorom linije rezanja 0° na stopi  
- umetnite paralelnu vodilicu Y kroz otore s obje strane stope do željene širine i pričvrstite okretnim gumbom Z
- ! pazite da bočni graničnik ne ometa slobodno kretanje donjeg štitnika i lista pile
- Rezanje s uranjanjem <sup>(15)</sup>  
- Podesite željenu dubinu rezanja.  
- nagnite alat prema naprijed s indikatorom linije rezanja P u ravnini sa željenom linijom reza označenom na izratku  
- otvorite donji štitnik F polugom G  
- Neposredno prije nego što list pile uđe u izradak, uključite alat i postupno spuštajte stražnji kraj alata tako da prednji kraj nožne pločice upotrijebite kao točku zakretanja.  
- Postupno pomičite alat prema dolje i naprijed.  
- čim list pile prođe u materijal, otpustite polugu G
- ! električni alat ne pomičite prema natrag
- Rezanje velikih ploča <sup>(16)</sup>

- Poduprite ploču blizu reza bilo na podu, stolu ili radnom stolu.

### ! dubinu rezanja tako namjestiti da se ploča proreže a da ne zareže oslonac

- ako paralelna vodilica ne dopušta željenu širinu reza, stezaljkom ili čavlima pričvrstite ravan komad drveta na izradak kao vodilicu i uz ovu vodilicu upotrebljavajte desnu stranu stope <sup>(17)</sup>
- Rezanje s vodilicom <sup>(18)</sup>  
\*NIJE U STANDARDNOJ OPREMI  
Upotreba vodilice omogućuje precizne, ravne, točne rezove pod kutovima nagiba od 45° ili 90°.  
Prije prvog reza s vodilicom, gumeni rub mora biti prilagođen kružnoj pili koja se upotrebljava.  
- za ravn rez od 90°, poravnajte nagib od 90° na vodilici AD (ili nagib od 45° kada izvodite kosi rez od 45°) sa željenom linijom reza označenom na izratku  
- pričvrstite vodilicu AD na izradak pomoću stezača vodilice AE <sup>(18)</sup> \*NIJE U STANDARDNOJ OPREMI  
- Gurnite pilu na vodilicu AD, uvjerite se da pila može slobodno kliziti po tračnici bez bočnog ljuljanja.  
- Prilikom podešavanja dubine rezanja, ne zaboravite uzeti u obzir debljinu vodilice AD.  
- Ravnomjerno vodite pilu s malim posmakom kroz završetak vodilice AD.
- Više informacija potražite na [www.skil.com](http://www.skil.com)

## ODRŽAVANJE/SERVISIRANJE

- Ovaj stroj nije namijenjen za profesionalnu upotrebu.
- Alat mora u svakom trenutku biti čist.  
! izvadite bateriju iz alata prije čišćenja
- Područje oko donjeg štitnika F <sup>(2)</sup> održavajte čistim (uklonite prašinu i strugotine otpuhivanjem stlačenim zrakom ili četkom).
- List pile odmah očistite nakon upotrebe (posebno od smole i ljepila).
- Ako se dogodi da je alat neispravan unatoč pažljivoj proizvodnji i testiranju, popravak treba obaviti ovlaštenim servisni centar za električne alate proizvođača SKIL.  
- Pošaljite nerastavljen uređaj zajedno s dokazom o kupnji svom prodavaču ili najbližem servisu SKIL (adrese i servisni dijagram alata možete pronaći na [www.skil.com](http://www.skil.com)).
- Imajte na umu da je šteta zbog preopterećenja ili nepravilnog rukovanja alatom isključena iz jamstva (pogledajte uvjete jamstva proizvođača SKIL na adresi [www.skil.com](http://www.skil.com) ili se obratite svom zastupniku).

## ZAŠTITA OKOLIŠA

Samo za zemlje EU

- Ne odlazite električne alate, pribor i ambalažu zajedno s kućnim otpadnim materijalom  
- U skladu s europskom Direktivom 2012/19/EZ o otpadnoj električnoj i elektroničkoj opremi i njenoj implementaciji u nacionalno zakonodavstvo, električni alati koji su dostigli kraj radnog vijeka moraju se odvojeno prikupljati i slati na ekološki prihvatljivo recikliranje.  
- na to će vas podsjetiti simbol <sup>(6)</sup> kada se javi potreba za odlaganjem
- ! prije nego bateriju zbrinete u otpad, zaštitite njene polove debelom trakom kako biste spriječili kratki spoj

## BUKA/VIBRACIJE

- Izmjereno u skladu s normom EN 62841, razina zvučnog tlaka ovog alata iznosi 94 dB(A), razina zvučne snage iznosi 102 dB(A) (nesigurnost K = 3 dB), a vibracija <math>2,5 \text{ m/s}^2</math> (zbroj vektora sustava s tri osi; nesigurnost K = 1,5  $\text{m/s}^2$ )
  - Razina emisije vibracija izmjerena je u skladu sa standardiziranim testom prema normi EN 62841; može se upotrebljavati za usporedbu jednog alata s drugim i kao preliminarna procjena izloženosti vibracijama pri upotrebi alata za navedene primjene.
    - Upotreba alata za različite primjene ili s različitim ili loše održavanim priborom može značajno **povećati** razinu izloženosti.
    - Vrijeme tijekom kojega je alat isključen ili je uključen ali se ne upotrebljava, može značajno  **smanjiti** razinu izloženosti.
- ! zaštitite se od posljedica vibracija održavanjem alatke i njezinih nastavaka, održavanjem topline ruku, te organiziranjem obrazaca rada**

SRB

## Kružna testera bez četkica

3551

### UVOD

- Ovaj alat je namenjen za uzdužno i poprečno sečenje drveta ravnim rezovima, kao i ugaonim rezovima do 45°
- Ovaj alat nije namenjen za profesionalnu upotrebu
- Pročitajte i sačuvajte ovo uputstvo za rukovanje ③

### TEHNIČKI PODACI ①

### ELEMENTI MAŠINE ②

- A** Inbus ključ
- B** Mesto za inbus ključ
- C** Dugme za zaključavanje vretena
- D** Zavrtnaj
- E** Prirubnica
- F** Donji štitnik
- G** Poluga za otvaranje donjeg štitnika
- H** Površina za odsecanje
- J** Nožna ploča
- K** Dugme za podešavanje dubine sečenja
- L** Indikator dubine sečenja
- M** Dugme za podešavanje ugla sečenja
- N** Indikator ugla sečenja
- P** Indikator linije sečenja
- Q** Port za ekstraktor prašine
- R** Adapter za usisivač
- S** Zadnja drška
- T** Prednja drška
- U** Prorez za šinu vodilice
- V** Okidač
- W** Sigurnosni prekidač
- X** Dugme za čišćenje LED lampe
- Y** Bočna vodilja
- Z** Dugme za podešavanje paralelne vodilje
- AA** Sečivo testere
- AB** AIndikator nivoa baterije

- AC** AVreća za prašinu\*
  - AD** AŠina vodilice\*
  - AE** AStega za šinu vodilice\*
- \* NIJE STANDARDNO PRILOŽENO

## SIGURNOST

### OPŠTA BEZBEDNOSNA UPOZORENJA O MAŠINAMA

**⚠ UPOZORENJE** Pročitajte sva sigurnosna upozorenja, uputstva, ilustracije i specifikacije priložene uz ovaj električni alat. Nepridržavanje svih dolenađenih uputstava može da dovede do strujnog udara, požara i/ili ozbiljne povrede.

### Sačuvajte sva upozorenja i uputstva za buduću upotrebu.

Pojam „električni alat“ u upozorenjima označava električni alat (sa žicom) koji se uključuje u utičnicu ili električni alat (bežični) na baterije.

#### 1) BEZBEDNOST NA RADNOM PODRUČJU

- Održavajte radno područje čistim i dobro osvetljenim.** Na pretrpanim ili mračnim područjima su veće šanse da dođe do nezgoda.
- Ne koristite električne alate u eksplozivnim atmosferama, kao na primer u prisustvu zapaljivih tečnosti, gasova ili prašine.** Električni alat stvara varnice koje mogu zapaliti prašinu ili isparenja.
- Držite decu i posmatrače podalje dok koristite električni alat.** Ako vam nešto odvraća pažnju, možete izgubiti kontrolu.

#### 2) ELEKTRIČNA BEZBEDNOST

- Utičač električnog alata mora odgovarati utičnici. Nikada ne modifikujete utikač ni na koji način.** Ne koristite adapterske utikače sa uzemljenim električnim alatom. Nemodifikovani utikači i odgovarajuće utičnice će smanjiti rizik od strujnog udara.
- Izbegavajte kontakt delova tela sa uzemljenim površinama, poput cevi, radijatora, šporeta i frižidera.** Postoji povećan rizik od strujnog udara ako je vaše telo uzemljeno.
- Ne izlažite električne alate kiši ili mokrim uslovima.** Voda koja uđe u električni alat povećaće rizik od strujnog udara.
- Nemojte zloupotrebljavati kabl. Nikada ne koristite kabl za nošenje, vučenje ili isključivanje iz utičnice električnog alata.** Čuvajte kabl podalje od toplote, nafte, oštih ivica ili pokretnih delova. Oštećen ili upetljan kabl povećava rizik od strujnog udara.
- Kada koristite električni alat na otvorenom prostoru, koristite produžni kabl pogodan za korišćenje na otvorenom prostoru.** Upotreba kabla pogodnog za korišćenje na otvorenom prostoru smanjuje rizik od strujnog udara.
- Ako je korišćenje električnog alata u vlažnom području neizbežno, koristite izvor napajanja sa zaštitnim uređajem diferencijalne struje (RCD).** Korišćenje RCD smanjuje rizik od strujnog udara.

#### 3) LIČNA BEZBEDNOST

- Ostanite u pripravnosti, pazite šta radite i koristite zdrav razum kada koristite električni alat. Ne**

- koristite električni alat kada ste umorni ili pod uticajem droga, alkohola ili lekova.** Trenutak nepažnje kada koristite električni alat je dovoljan da izazove ozbiljne telesne povrede.
- b) **Koristite ličnu zaštitnu opremu. Uvek nosite zaštitu za oči.** Zaštitna oprema poput maske za prašinu, radnih cipela koje se ne klizaju, šlema ili zaštite sluha će, kada se koristi za odgovarajuće uslove, smanjiti telesne povrede.
- c) **Sprečite nehotično pokretanje. Osigurajte da prekidač bude u isključenom položaju pre povezivanja na izvor napajanja i/ili bateriju, podizanja ili nošenja alata.** Nošenje električnih alata sa prstom na prekidaču ili uključivanje u utičnicu električnih alata čiji prekidač je u uključenom položaju priziva nezgode.
- d) **Uklonite sve ključeve za podešavanje pre uključivanja električnog alata.** Ključ koji ostane pričvršćen za rotacioni deo električnog alata može da izazove telesnu povredu.
- e) **Ne presežite. U svakom trenutku održavajte pravilan položaj nogu i ravnotežu.** To omogućava bolju kontrolu električnog alata u neočekivanim situacijama.
- f) **Prikladno se obucite. Ne nosite labavu odeću niti nakit. Držite kosu i odeću dalje od pokretnih delova.** Labava odeća, nakit ili duga kosa mogu da se zakače pokretnim delovima.
- g) **Ako su priložena sredstva za povezivanje delova za izbacivanje i prikupljanje prašine, osigurajte da ona budu povezani i da se pravilno koriste.** Upotreba kolektora prašine može da smanji opasnosti koje izaziva prašina.
- h) **Ne dozvolite da zbog poznavanja koje ste stekli kroz čestu upotrebu alata postanete samozadovoljni i ignorišete principe bezbednosti alata.** Nemarni postupak može da izazove ozbiljnu povredu u deliću sekunde.
- 4) **UPOTREBA I ODRŽAVANJE ELEKTRIČNOG ALATA**
- a) **Ne silite električni alat. Koristite odgovarajući električni alat za ono što radite.** Odgovarajući električni alat uradiće posao bolje i bezbednije onom brzinom za koju je dizajniran.
- b) **Ne koristite električni alat ako ga prekidač ne uključuje i isključuje.** Svaki električni alat koji se ne može kontrolisati prekidačem je opasan i mora se popraviti.
- c) **Izvučite utikač iz izvora napajanja i/ili izvadite bateriju, ako je odvojiva, iz električnog alata pre bilo kakvog podešavanja, menjanja dodatka ili skladištenja električnog alata.** Takve preventivne sigurnosne mere smanjuju rizik od nehotičnog pokretanja električnog alata.
- d) **Skladištite isključene električne alate van domašaja dece i ne dozvolite osobama koje nisu upoznate sa ovim električnim alatom ili ovim uputstvom da rukuju električnim alatom.** Električni alat je opasan u rukama nekvalifikovanih korisnika.
- e) **Održavajte električni alat i dodatke. Proverite pravilno poravnanje ili spojeve pokretnih delova, lomljenje delova i sva druga stanja koja mogu da utiču na rad električnog alata. Ako je oštećen, odnesite električni alat na popravku pre upotrebe.** Mnoge nezgode su izazvane loše održanim električnim alatom.
- f) **Održavajte alate koji seku oštrim i čistim.** Pravilno održavani alati za sečenje sa oštrim ivicama za sečenje se ređe zapetljavaju i lakše se kontrolišu.
- g) **Koristite električni alat, dodatke, burgije itd. u skladu sa ovim uputstvom, uzimajući u obzir radne uslove i rad koji treba obaviti.** Korišćenje električnog alata za rad drugačiji od predviđenog moglo bi da dovede do opasne situacije.
- h) **Održavajte drške i površine koje hvatate suvim, čistim i bez ulja i masnoće.** Klizave drške i površine koje hvatate ne omogućavaju bezbedno rukovanje i kontrolu alata u neočekivanim situacijama.
- 5) **UPOTREBA I ODRŽAVANJE ALATA NA BATERIJE**
- a) **Punite samo punjačem koji navodi proizvođač.** Punjač koji je prikladan za jedan tip baterije može da stvori opasnost od požara kad se koristi sa nekom drugom baterijom.
- b) **Koristite električni alat samo sa konkretno imenovanim baterijama.** Upotreba bilo kakvih drugih baterija može da stvori rizik od povrede i požara.
- c) **Kad se baterija ne koristi, držite je dalje od drugih metalnih predmeta, poput spajalica, novčića, ključeva, eksera, vijaka ili drugih malih metalnih predmeta koji mogu da napravie spoj jednog terminala sa drugim.** Kratak spoj terminala baterije može da izazove opekotine ili požar.
- d) **U ekstremnim uslovima može doći do curenja tečnosti iz baterije; izbegavajte kontakt sa njom. Ako dođe do nehotičnog kontakta, isperite vodom.** Ako tečnost dođe u kontakt sa očima, takođe potražite i medicinsku pomoć. Tečnost iz baterije može da izazove iritaciju ili opekotine.
- e) **Ne koristite bateriju ili alat koji su oštećeni ili modifikovani.** Oštećene ili modifikovane baterije mogu da ispolje nepredvidivo ponašanje, dovodeći do požara, eksplozije ili rizika od povrede.
- f) **Ne izlažite bateriju ili alat vatri ili previsokoj temperaturi.** Izlaganje vatri ili temperaturi iznad 130 °C može izazvati eksploziju.
- g) **Pratite sva uputstva za punjenje i ne puniti bateriju ili alat izvan temperaturnog opsega navedenog u uputstvima.** Punjenje na nepravilan način ili na temperaturama izvan navedenog opsega može da ošteti bateriju i poveća rizik od požara.
- 6) **SERVIS**
- a) **Odnosite električni alat na servisiranje kod kvalifikovanog servisera koji će koristiti samo identične rezervne delove.** To će osigurati da bezbednost električnog alata bude održana.
- b) **Nikad ne servisirajte oštećene baterije. Servisiranje baterija treba da radi samo proizvođač ili ovlašćeni servis.**

## BEZBEDNOSNA UPUTSTVA ZA KRUŽNU TESTERU BEZ ČETKICA

### BEZBEDNOSNA UPUTSTVA ZA SVE TESTERE

- a) **⚠️ OPASNOST: Držite ruke dalje od mesta sečenja i oštrice. Držite drugu ruku na pomoćnoj dršci ili na kućištu motora.** Ako obe ruke drže testeru, sečivo ih ne može poseći.
- b) **Ne posežite ispod predmeta koji sečete.** Štitnik ne

- može da vas zaštiti od sečiva ispod predmeta koji sečete.
- c) **Podesite dubinu sečenja na debljinu predmeta koji sečete.** Ispod predmeta koji sečete treba da se vidi manje od celog zupca sečiva.
  - d) **Predmet koji sečete nemojte nikad držati u rukama ili preko noge dok ga sečete. Pričvrstite predmet koji sečete na stabilnu platformu.** Važno je pravilno fiksirati materijal da biste smanjili izloženost delova tela, zaglavljivanje sečiva ili gubitak kontrole.
  - e) **Držite električni alat za izolovane površine za hvatanje kada izvodite radove prilikom kojih alat može da dođe u kontakt sa skrivenim žicama.** Kontakt sa žicom pod naponom će učiniti da i izloženi metalni delovi električnog alata dođu pod napon pa rukovalac može da doživi strujni udar.
  - f) **Prilikom uzdužnog sečenja, uvek koristite paralelnu ili ivičnu vodiču.** Na taj način se poboljšava preciznost sečenja i smanjuje se šansa za zaglavljivanje sečiva.
  - g) **Uvek koristite listove testere odgovarajuće veličine i oblika rupa za osovinu (romb ili krug).** Sečiva koji se ne podudaraju sa hardverom za montažu na testeri će raditi ekscentrično, što dovodi do gubitka kontrole.
  - h) **Nikada ne koristite oštećene ili pogrešne podloške za sečivo ili zavrtanj.** Podloške za sečivo i zavrtanj su posebno dizajnirani za vašu testeru, radi optimalnih performansi i bezbednosti pri rukovanju.

## DALJA BEZBEDNOSNA UPUTSTVA ZA SVE TESTERE

### UZROCI POVRATNOG UDARCA I SRODNA UPOZORENJA

- povratni udarac predstavlja iznenadnu reakciju na zaglavljeno, blokirano ili loše poravnato sečivo testere što izaziva nekontrolisano pomeranje testere ka gore i dalje od predmeta koji se obrađuje, prema rukovaocu;
- kad se sečivo čvrsto zaglavi ili blokira prilikom zatvaranja reza, sečivo radi u prazno a reakcija motora ubrzano baca jedinicu unazad ka rukovaocu;
- ako se sečivo iskrivi ili nije poravnato sa rezom, zubi na zadnjoj ivici sečiva mogu da se zabiju u gornju površinu drveta i da izazovu dizanje sečiva iz reza i iskakanje ka rukovaocu.

Povratni udarac nastaje kao rezultat neispravnog rukovanja testerom i/ili nepravilnih procedura u radu ili uslova i može da se izbegne preduzimanjem odgovarajućih mera predostrožnosti koje su dole navedene.

- a) **Održavajte čvrst hvat sa obe šake na testeri i postavite ruke tako da se odupru silama povratnog udarca. Postavite telo sa jedne ili druge strane sečiva, ali ne u liniji sa sečivom.** Povratni udarac može da izazove skok sečiva unazad ali rukovalac može kontrolisati sile povratnog udarca ako preduzima odgovarajuće mere predostrožnosti.
- b) **Kada se sečivo zaglavљуje ili kada zbog bilo kog razloga prekidate sečenje, otpustite okidač i držite testeru nepomično u materijalu dok se sečivo potpuno ne zaustavi. Nikada ne pokušavajte da izvadite testeru iz predmeta koji obrađujete ili da je povučete unazad dok je sečivo u pokretu jer može doći do povratnog udarca.** Istražite i preduzmite korektivne radnje kako biste eliminisali uzrok zaglavljivanja sečiva.
- c) **Prilikom ponovnog pokretanja testere u radnom**

- predmetu, centrirajte list testere u rezu tako da zupci testere ne dodiruju materijal.** Ako se list testere zaglavi, on može da iskoči iz radnog predmeta ili izazove povratni udarac kada se testera ponovo pokrene.
- d) **Poduprite velike panele da biste smanjili rizik od ukleštenja sečiva i povratnog udarca.** Veliki paneli imaju tendenciju da se savijaju pod sopstvenom težinom. Nosača struktura mora biti stavljena ispod panela sa obe strane, blizu linije reza i blizu ivice panela.
- e) **Ne koristite tupa ili oštećena sečiva.** Nenaoštrina ili nepravilno postavljena sečiva prave uzan rez koji izaziva prekomerno trenje, zaglavljivanje sečiva i povratni udarac.
- f) **Ručice za zaključavanje podešavanja dubine sečenja i ugla moraju da budu zategnute i čvrste pre početka sečenja.** Ako se podešavanje sečiva promeni tokom sečenja, to može dovesti do zaglavljivanja i povratnog udarca.
- g) **Budite posebno oprezni kod testerisanja u postojećim zidovima ili drugim slepim mestima.** Sečivo koje viri može da zaseče predmete koji mogu da izazovu povratni udarac.

### FUNKCIJA DONJEG ŠTITNIKA

- a) **Pre svake upotrebe proverite da li je donji štitnik povratno zatvoren. Nemojte upotrebljavati testeru ako se donji štitnik ne kreće slobodno i ako se ne zatvara odmah. Nikada nemojte da fiksirate ili vezujete donji štitnik u otvoreni položaj. Ako je testera slučajno ispuštena, donji štitnik može biti savijen.** Podignite donji štitnik pomoću drške za povlačenje i uverite se da se slobodno kreće i da ne dodiruje sečivo ili bilo koji drugi deo, u svim uglovima i dubinama sečenja.
- b) **Proverite rad opruge donjeg štitnika. Ako štitnik i opruga ne rade kako treba, moraju biti popravljivi pre upotrebe.** Donji štitnik može raditi sporo zbog oštećenih delova, gumastih naslaga ili nagomilanog iverja.
- c) **Donji štitnik može biti povučen ručno samo zbog specijalnih rezova kao što su „uronjeni rezovi“ i „kombinovani rezovi“.** Podignite donji štitnik pomoću drške za povlačenje i, čim sečivo uđe u materijal, donji štitnik mora biti pušten. Za svo ostalo testerisanje donji štitnik bi trebalo da radi automatski.
- d) **Uvek se uverite da donji štitnik pokriva sečivo pre nego što testeru spustite na tegzu ili pod.** Nezaštićeno sečivo koje radi u prazno će prouzrokovati da se testera kreće unazad, sekuci sve što joj se nađe na putu. Imajte u vidu vreme potrebno da se sečivo zaustavi nakon što pustite prekidač.

### OPŠTA

- Ovaj alat ne bi trebalo da koriste osobe ispod 16 godina.
- Ovaj alat nije pogodan za mokro sečenje.
- **Ne radite sa materijalima koji sadrže azbest** (azbest se smatra karcinogenim).
- Prašina od materijala poput farbe koja sadrži olovo, nekih vrsta drveta, minerala i metala može biti škodljiva (dodir sa tom prašinom ili njeno udisanje mogu izazvati alergijske reakcije i/ili respiratorne bolesti kod rukovaoca ili posmatrača); **nosite masku za prašinu i radite sa uređajem za uklanjanje prašine kad ga je moguće spojiti.**
- Određene vrste prašine se klasifikuju kao karcinogene



(poput prašine od hrasta i bukve), naročito u kombinaciji sa aditivima za kondicioniranje drveta; **nosite masku za prašinu i radite sa uređajem za uklanjanje prašine kad ga je moguće spojiti.**

- Pratite nacionalne zahteve vezane za prašinu za materijale sa kojima želite da radite.
- Ne koristite ovu testeru u kombinaciji sa postoljem za testere.
- Uklonite bateriju iz alata pre svakog podešavanja ili promene pribora.

#### PRIBOR

- SKIL može da osigura besprekorno funkcionisanje alata samo kad se koriste originalni dodaci.
- Koristite samo pribor čija je dozvoljena brzina u najmanju ruku jednaka najvećoj brzini pri praznom hodu alata.
- Koristite samo sečiva koja odgovaraju karakterističnim podacima datim u ovom uputstvu za rukovanje i koja su testirana i obeležena u skladu sa EN 847-1.
- Koristite isključivo listove prečnika 165 mm i sa otvorom za vreteno od 16 mm.
- Nikad ne koristite brusne/rezne diskove sa ovim alatom.

#### PRE UPOTREBE

- Izbegavajte oštećenja koja mogu izazvati šrafovi, ekseri i drugih elementi u obratku; uklonite ih pre nego što započnete rad.
- Uklonite sve prepreke iznad i ispod putanje sečenja pre nego što počnete da sećete.
- **Učvrstite obradak** (obradak stegnut pomoću stega ili nečeg sličnog je mnogo stabilniji nego kad se drži rukom).
- **Koristite odgovarajuće detektore da biste pronašli skrivene vodove ili pozovite lokalnu kompaniju radi pomoći** (dodir sa električnim vodovima može dovesti do požara ili strujnog udara; oštećivanje gasnog voda može dovesti do eksplozije; probijanje vodovodne cevi će izazvati imovinsku štetu ili strujni udar).

#### TOKOM UPOTREBE

- Nivo buke tokom rada može premašiti 85 dB(A); nosite zaštitu za uši.
- Nikad ne koristite alat bez originalnog zaštitnog sistema.
- Ne pokušavajte da sećete izuzetno male obratke.
- Ovim alatom nemojte raditi iznad glave.
- U slučaju da dođe do blokade ili električnog ili mehaničkog kvara, odmah isključite alat i uklonite bateriju.

#### NAKON UPOTREBE

- Kad odlažete alat, isključite motor i osigurajte da su se svi pokretni delovi potpuno zaustavili.
- Nakon isključivanja kružne testere, nikad ne zaustavljajte rotaciju lista testere primenom bočne sile na njega.

#### BATERIJE

- **Ako je baterija priložena, ona će biti delimično napunjena** (da biste osigurali pun kapacitet baterije, bateriju napunite do kraja u punjaču baterija pre prvog korišćenja električnog alata)
- **Isključivo koristite sledeće baterije i punjače sa ovim alatom**
  - SKIL baterija: BR1\*31\*\*\*\*
  - SKIL punjač: CR1\*31\*\*\*\*
- Nemojte koristiti oštećenu bateriju; odmah je treba zameniti.
- Nemojte da rasklapate bateriju.
- Nemojte izlagati alat/bateriju kiši.
- Dozvoljena ambijentalna temperatura (alat/punjač/baterija):

- tokom punjenja od 4 do 40 °C
- tokom rada od -20 do +50 °C
- tokom skladištenja od -20 do +50 °C

#### OBJAŠNJENJE SIMBOLA NA ALATU

- ③ Pročitajte uputstvo za korišćenje pre upotrebe
- ④ Baterije mogu da eksplodiraju kad se bace u vatru, stoga nemojte spaljivati baterije ni zbog kog razloga
- ⑤ Čuvajte alat/punjač/bateriju na mestima gde temperatura neće preći 50 °C
- ⑥ Ne odlažite električne alate i baterije u kućni otpad

#### UPOTREBA

- Punjenje baterije  
**! pročitajte bezbednosna upozorenja i uputstva priložena uz punjač**
- Uklanjanje/installiranje baterije ②
- Indikator nivoa baterije ⑦
  - pritisnete dugme AB indikatora nivoa baterije da bi se prikazao trenutni nivo baterije ⑦a
  - ! kad najniži nivo indikatora baterije počne da treperi nakon pritiska dugmeta AB ⑦b, baterija je prazna**
  - ! kad 2 nivoa indikatora baterije počnu da trepere nakon pritiska na dugme AB ⑦c, baterija nije u dozvoljenom opsegu radne temperature**
- LED svetlo za liniju senke ⑧  
Alat je opremljen LED svetlom za liniju senke koje se nalazi ispod gornjeg štitnika.  
Ono pruža dodatno osvetljenje na sečivu testere i površini obratka.  
LED svetlo projektuje senku sečiva testere za vođenje alata duž željene linije reza označene na obratku.  
**! uvek izvršite probu na višku materijala**  
LED svetlo će se automatski uključiti na blagi pritisak okidača. Isključuje se približno 10 sekundi nakon puštanja okidača.  
**! LED svetlo će brzo bljeskati kad alat i/ili baterija postanu preopterećeni ili prevruci a unutrašnji senzori će isključiti alat. Odmorite alat neko vreme ili alat i bateriju odvojeno stavite pod protok vazduha radi hlađenja.**  
**! LED svetlo će bljeskati sporije da bi ukazalo da je nivo napunjenosti baterije nizak. Napunite bateriju.**  
Dugme za čišćenje LED svetla X ugrađeno u gornji štitnik je dizajnirano za čišćenje LED svetla. Kad LED svetlo postane prigušeno zbog nakupljanja piljevine na njemu, okrenite dugme za čišćenje LED svetla X u bilo kom smeru da biste uklonili piljevinu i da bi LED svetlo ponovo jarko svetlelo.
- Zaštita baterije  
Alat se iznenada isključuje ili ne može da se uključi kada je
  - **opterećenje je preveliko** --> uklonite opterećenje i ponovo pokrenite
  - **temperatura baterije nije u dozvoljenom radnom opsegu temperature od -20 do +50 °C** --> 2 nivoa indikatora za nivo baterije počinju da trepere kad pritisnete dugme AB ⑦c; sačekajte dok se baterija ne vrati u dozvoljeni radni opseg temperature
  - **baterija je skoro prazna (za zaštitu od prekomernog pražnjenja)** --> nizak nivo baterije ili treperenje za nizak nivo baterije ⑦b se prikazuju na indikatoru za nivo baterije kad se pritisne dugme AB;

napunite bateriju

**! prestanite da pritiskate prekidač za uključivanje/isključivanje nakon automatskog isključivanja alata jer možete oštetiti bateriju**

- Montiranje sečiva testere AA ②

**! izvadite bateriju iz alata**

- izvadite inbus ključ A iz skladišta B  
- pritisnite dugme za blokiranje vretena C i držite ga dok skidate zavrtnj D okretanjem inbus ključa A, **U SMERU KAZALJKE NA SATU** (= u istom smeru kao strelica odštampana na sečivu)

**! dugme za zaključavanje vretena C pritisnite tek kad se alat sasvim zaustavi**

- otpustite dugme za zaključavanje vretena C  
- uklonite pribornicu E

**! vodite računa da površine za stezanje H na pribornicama budu potpuno čiste i okrenute ka pravcu**

- otvorite donji štitnik F pomoću poluge G i držite je dok montirate list testere; zubi i strelica odštampana na listu treba da budu okrenuti u istom smeru kao i strelica na donjem štitniku

- otpustite donji štitnik F

- montirajte pribornicu E

- pritisnite dugme za zaključavanje vretena C i držite ga dok zatežete navrtanj D pomoću inbus ključa A za 1/8 okreta nakon što zategnete prstima (tako se osigurava klizanje sečiva testere kad naiđe na prekomerni otpor i smanjuje preopterećenje motora i povratni udarac testere)

- otpustite dugme za zaključavanje vretena C

- Podešavanje dubine sečenja (0-57 mm) ⑨

- olabavite dugme K

- podignite/spustite podnožni oslonac J dok ne podesite željenu dubinu sečenja na skali korišćenjem indikatora dubine sečenja L

- zategnite dugme K

- za rez optimalnog kvaliteta, list testere ne bi trebalo da se proteže više od jednog zuba ispod obratka

- Podešavanje ugla sečenja (0-45°) ⑩

- olabavite dugme M

- naginjte alat dok ne podesite željeni ugao sečenja na skali korišćenjem indikatora ugla sečenja N

- zategnite dugme M

**! pri kosom sečenju, dubina sečenja ne odgovara vrednosti prikazanoj na skali za dubinu sečenja**

- Indikator linije sečenja P ⑪

- za vođenje alata duž željene linije reza označen na radnom predmetu

- za ravni rez od 0° ili rez kosine od 45° koristite odgovarajuću indikatorsku liniju

**! širi deo stope bi trebalo da stoji na podupiraču na području rada**

**! širina sečenja se određuje širinom zubaca sečiva, a ne širinom sečiva**

**! uvek prvo izvedite probno sečenje, da biste proverili stvarnu liniju sečenja**

- Usisavanje prašine ⑫

- spojite adapter za usisivač R na port za ekstraktor prašine Q pomoću vijka sa Phillips glavom

- Za korišćenje usisivača

- povežite crevo usisivača na adapter za usisivač R

**! nikad nemojte da dozvolite da crevo usisivača**

**omete donji štitnik F ili operaciju sečenja**

Vreća za prašinu

- montirajte vreću za prašinu AC \*NIJE STANDARDNO PRILOŽENO

- Rukovanje alatom

- montirajte bateriju

- uvek jednom rukom čvrsto držite zadnju ručku S, a drugom rukom čvrsto držite prednju ručku T

- postavite alat sa prednjim krajem stope ravno na obradak

**! proverite da listi testere nisu zakačeni za područje rada**

- uključite alat tako što ćete najpre pritisnuti sigurnosni prekidač W a zatim povući okidač V

**! električni alat bi trebalo da bude u punoj brzini pre nego što sečivo dodirne područje rada**

- donji štitnik F se automatski otvara kada sečivo uđe u obradak (ručno otvorite donji štitnik pomoću poluge G samo za posebne vrste sečenja, na primer za uronjeno sečenje)

**! nemojte pritiskati alat suviše (primenite lagani i kontinualni pritisak da biste izbegli pregrevanje vrhova noža)**

- nakon završetka sečenja, isključite alat otpuštanjem okidača V

**! pre nego što podignete alat sa područja rada, proverite da li je došlo do potpunog prekida rada sečiva**

## SAVETI ZA PRIMENU

- Uvek okrenite dobru stranu obratka nadole kako biste osigurali minimalno cepanje.
- Koristite samo oštre listove testere odgovarajućeg tipa ⑬
  - kvalitet reza poboljšava se brojem zuba
  - sečiva sa karbidnim vrhovima ostaju oštra do 30 puta duže od običnih sečiva
- Poprečni/uzdužni rezovi ⑭
  - Poprečne ili uzdužne rezove je lako raditi pomoću paralelnog vodiča Y.
  - poravnajte vodiču sa indikatorom linije sečenja od 0° P na stopi
  - umetnite paralelni vodič Y kroz prereze na obe strane stope do željene širine i učvrstite ga dugmetom Z
- **! osigurajte da ograda za rezanje ne ometa slobodno kretanje donjeg štitnika i lista testere**
- Uronjeno sečenje ⑮
  - podesite željenu dubinu sečenja
  - nagnite alat unapred sa indikatorom linije sečenja P poravnatim sa željenom linijom sečenja označenom na obratku
  - otvorite donji štitnik F pomoću poluge G
  - neposredno pre nego što sečivo uđe u obradak, uključite alat i postepeno spustite zadnji kraj alata koristeći prednji kraj stope kao tačku rotacije
  - postepeno pomerajte alat nadole, kao i unapred - čim sečivo uđe u materijal, otpustite polugu G
- **! nemojte nikad da gurate alat unazad**
- Sečenje velikih ploča ⑯
  - poduprite ploču blizu reza na podu, postolju ili tezgi
- **! podesite dubinu sečenja tako da sečete kroz ploču, a ne kroz podupirač**
- u slučaju da paralelna vodiča ne omogućava željenu širinu sečenja, pričvrstite stegom ili ekserima ravan

- komad drveta na obradak kao vodiču i koristite desnu stranu stope uz ovu vodiču <sup>(17)</sup>
- Sečenje sa šinom vodilice <sup>(19)</sup>  
\*NIJE STANDARDNO PRILOŽENO  
Upotreba šine vodiča omogućava precizno, ravno, tačno sečenje sa 45° ili 90° kosine.  
Pre praviljenja prvog reza sa šinom vodičem, gumena ivica se mora prilagoditi kružnoj testeri koja se koristi.
    - za ravan rez od 90°, poravnajte stranu sa 90° kosine na šini AD (ili stranu sa 45° kosine kad pravite rez na 45° kosine) sa željenom linijom reza označenom na obratku.
    - čvrsto zategnite šinu vodič AD na obradak pomoću stega za šinu vodič AE <sup>(8)</sup> \*NIJE STANDARDNO PRILOŽENO
    - gurnite testeru na šinu vodičice AD, vodeći računa da testera može slobodno da klizi na šini bez bočnog ljuljanja.
    - kad postavljate dubinu sečenja, ne zaboravite da uračunate debljinu šine vodiča AD.
    - vodite testeru ravnomerno malom brzinom kroz kraj šine vodiča AD
  - Za više informacija pogledajte [www.skil.com](http://www.skil.com)

## ODRŽAVANJE / SERVIS

- Ova mašina nije namenjena za profesionalnu upotrebu.
- Uvek održavajte čistoću alata.
- ! pre čišćenja uklonite bateriju iz alata**
- Neka prostor oko donjeg štitnika F <sup>(2)</sup> uvek bude čist (uklonite prašinu i opiljke komprimovanim vazduhom ili četkom).
- Očistite list testere odmah nakon upotrebe (posebno od smole i lepka).
- Ako bi alat i pored brižljivog postupka izrade i kontrole nekada otkazao, popravku mora vršiti neki autorizovani servis za SKIL električne alate.
  - pošaljite nerasklopljeni alat zajedno sa dokazom kupovine vašem prodavcu ili najbližoj SKIL servisnoj stanici (adrese kao i servisni dijagram alata možete naći na [www.skil.com](http://www.skil.com))
- Imajte na umu da za oštećenja nastala usled preopterećivanja ili nepravilnog rukovanja neće važiti garancija (za uslove SKIL garancije posetite [www.skil.com](http://www.skil.com) ili pitajte svog prodavca).

## ZAŠTITA OKOLINE

Samo za zemlje EU

- Električne alate, pribor i ambalažu ne odlažite u kućne otpatke**
  - prema Evropskoj direktivi 2012/19/EC o otpadnoj električnoj i elektronskoj opremi i njenoj primeni u skladu sa nacionalnim zakonodavstvom, električni alati koji su došli do kraja svog radnog veka moraju biti prikupljeni zasebno i oduzeti u ekološki pogon za reciklažu
  - simbol <sup>(6)</sup> će vas podsetiti na to kada se potreba za odlaganjem na otpad pojavi
- ! da bi se izbegli kratki spojevi je baterija zaštićena debljom trakom**

## BUKA / VIBRACIJA

- Merenje u skladu sa EN 62841, nivo zvučnog pritiska

ovog alata je 94 dB(A), nivo zvučne snage je 102 dB(A) (nesigurnost K = 3 dB), a vibracija je <2,5 m/s<sup>2</sup> (troosni vektorski zbir; nesigurnost K = 1,5 m/s<sup>2</sup>).

- Nivo emisije vibracija izmeren je u skladu sa standardizovanim testom datim u EN 62841; on se može koristiti za upoređenje jedne alatke sa drugom, kao i za preliminarnu procenu izloženosti vibracijama pri korišćenju ove alatke za pomenute namene
  - korišćenje alata u drugačije svrhe ili sa drugačijim ili slabo održavanim priborom može značajno **povećati** nivo izloženosti.
  - vreme kada je alat isključen ili kada je uključen ali se njime ne radi može značajno  **smanjiti** nivo izloženosti.
- ! zaštitite se od posledica vibracija tako što ćete održavati alat i pribor, voditi računa da vam ruke budu tople i organizovati raspored rada**



## Brezkrtlačna krožna žaga

3551

### UVOD

- To orodje je namenjeno vzdolžnomu in prečnomu rezanju lesa, in sicer z ravnimi rezi in rezi pod kotom do 45°.
- Orodje ni namenjeno profesionalni uporabi.
- Preberite in shranite navodila za uporabo <sup>(3)</sup>.

### TEHNIČNI PODATKI <sup>(1)</sup>

### SESTAVNI DELI NAPRAVE <sup>(2)</sup>

- A** Imbus ključ
  - B** Mesto za shranjevanje imbus ključa
  - C** Gumb za zaklep vretena
  - D** Vijak
  - E** Prirobnica
  - F** Spodnje varovalo
  - G** Ročica za odpiranje spodnjega varovala
  - H** Vpenjalna površina
  - J** Plošča podnožja
  - K** Gumb za nastavitve globine rezanja
  - L** Indikator globine reza
  - M** Gumb za nastavitve kota reza
  - N** Indikator kota reza
  - P** Indikator linije reza
  - Q** Odprtina za odsesavanje prahu
  - R** Adapter za vakuumski sesalnik
  - S** Zadnji ročaj
  - T** Sprednji ročaj
  - U** Reža vodila
  - V** Stikalo za vklop/izklop
  - W** Varnostno stikalo
  - X** Gumb LED za čiščenje
  - Y** Stransko vodilo
  - Z** Gumb za nastavitve stranskega vodila
  - AA** Žagin list
  - AB** Indikator stanja baterije
  - AC** AVrečka za prah\*
  - AD** AVodilo\*
  - Æ** Objemka vodila\*
- \* NI DEL STANDARDNE OPREME

# VARNOST

## SPLOŠNA VARNOSTNA NAVODILA ZA NAPRAVE

**⚠ OPOZORILO** Preberite vsa varnostna opozorila, navodila, slike in tehnične podatke, ki so priloženi temu električnemu orodju. Zaradi neupoštevanja spodaj navedenih navodil lahko pride do električnega udara, požara in/ali hudih telesnih poškodb.

**Vsa opozorila in navodila shranite za kasnejšo uporabo.**

Izraz »električno orodje« v opozorilih se nanaša na orodja, ki jih poganja električni tok (žična), ali na baterijska (brežžična) orodja.

### 1) VARNOST DELOVNEGA OBMOČJA

- Delovno območje naj bo čisto in dobro osvetljeno.** Na neurejenih ali temnih območjih se hitro zgodijo nesreče.
- Električnega orodja ne upravljajte v eksplozivnih okoljih, na primer ob prisotnosti vnetljivih tekočin, plinov ali prahu.** Električno orodje ustvarja iskre, ki lahko povzročijo vžig prahu ali hlapov.
- Med uporabo električnega orodja v bližino ne pustite otrok in drugih ljudi.** Zaradi motenj lahko izgubite nadzor.

### 2) ELEKTRIČNA VARNOST

- Vtiči električnih orodij se morajo prilegati vtičnicam. Vtiča nikoli ne smete spreminjati na kakršen koli način.** Z ozemljenimi električnimi orodji ne uporabljajte adapterjev. Nespremenjeni vtiči in pripadajoče vtičnice bodo zmanjšali tveganje električnega udara.
- Izogibajte se telesnemu stiku z ozemljenimi površinami, kot so cevi, radiatorji, štedilniki in hladilniki.** Če je vaše telo ozemljeno, obstaja povečano tveganje električnega udara.
- Orodja ne izpostavljajte dežju ali vlažnim vremenskim pogojem.** Če v električno orodje zaide voda, obstaja večja možnost električnega udara.
- Ne poškodujte električnega kabla.** Kabla nikoli ne uporabljajte za nošenje, vlečenje ali odklapanje električnega orodja. Kabel hranite stran od vročine, olja, ostrih robov ali premikajočih se delov. Poškodovani ali zapleteni kabli zvišujejo tveganje električnega udara.
- Med zunanjo uporabo električnega orodja uporabljajte podaljšek, ki je primeren za zunanjo uporabo.** Uporaba kabla, primernega za zunanjo uporabo, znižuje tveganje električnega udara.
- Če je uporaba električnega orodja na vlažnem mestu neizogibna, uporabite napajanje, zaščiteno z napravo na diferenčni tok.** Uporaba zaščitne naprave na diferenčni tok (RCD) bo zmanjšala nevarnost električnega udara.

### 3) OSEBNA VARNOST

- Med uporabo električnega orodja bodite pozorni, spremljajte potek dela in uporabljajte zdrav razum.** Električnega orodja ne uporabljajte, kadar ste utrujeni ali pod vplivom drog, alkohola ali zdravil. Trenutek nepazljivosti med uporabo električnega orodja lahko povzroči hude telesne poškodbe.
- Uporabljajte osebno varovalno opremo. Vedno nosite zaščito za oči.** Če v določenih okoliščinah nosite

ustrezno zaščitno opremo, kot so maska proti prahu, zaščitna obutev z nedrsečim podplatom, trdno pokrivalo glave in zaščita za sluh, zmanjšate možnost telesnih poškodb.

- Preprečite neželen zagon. Pred priklopom na vir napajanja in/ali priklopom akumulatorskega sklopa ter pred dvigovanjem ali nošenjem orodja se prepričajte, da je stikalo v položaju za izklop.** Prenašanje električnih orodij s prstom na stikalu ali napajanje električnih orodij, pri katerih je stikalo v položaju za vklop, povzroči tveganje za nesreče.
  - Pred vklopom električnega orodja odstranite morebitne nastavitvene ključe ali viličaste ključe.** Viličasti ali drug ključ, ki je pritrjen na vrtljivi del električnega orodja, lahko povzroči telesne poškodbe.
  - Ne stegujte se preveč. Pazite, da ves čas stojite stabilno in ohranjate ravnotežje.** To omogoča boljši nadzor nad električnim orodjem v nepričakovanih situacijah.
  - Bodite primerno oblečeni. Ne nosite ohlapnih oblačil ali nakita. Pazite, da lasje in oblačila ne pridejo v bližino gibljivih delov.** Ohlapna oblačila, nakit ali dolgi lasje se lahko zapletejo v gibljive dele.
  - Če imate na voljo naprave za sesanje in zbiranje prahu, preverite, ali so priključene in ali se ustrezno uporabljajo.** Uporaba naprav za zbiranje prahu lahko zmanjša nevarnosti, povezane s prahom.
  - Čeprav dobro poznate orodje zaradi pogoste uporabe, ne postanite ravnodušni in ne prezirajte varnostnih načel orodja.** Nepazljivost pri uporabi lahko povzroči hude telesne poškodbe v delcu sekunde.
- ### 4) UPORABA IN NEGA ELEKTRIČNEGA ORODJA
- Električnega orodja ne preobremenjujte. Uporabite električno orodje, ki je primerno za vaše delo.** Ustrezno električno orodje bo nalogo opravilo bolje in varneje pri zmogljivosti, za katero je bilo zasnovano.
  - Ne uporabljajte električnega orodja, če ga ni mogoče vklopiti in izklopiti s stikalom.** Kakršno koli električno orodje, ki ga ni mogoče nadzirati s stikalom, je nevarno in ga je potrebno popraviti.
  - Odklopite vtič iz vira napajanja in/ali odstranite akumulatorski sklop, če je snemljiv, preden opravite kakršne koli prilagoditve, menjate dodatke ali shranite električno orodje.** Tovrstni preventivni varnostni ukrepi zmanjšujejo tveganje nenamernega zagona električnega orodja.
  - Električna orodja, ki niso v uporabi, shranjujte izven dosega otrok in ne dovolite, da bi električno orodje uporabljale osebe, ki niso seznanjene z električnim orodjem ali s temi navodili.** Električno orodje je v rokah neusposobljenih uporabnikov nevarno.
  - Električna orodja in dodatke združujte. Preverite morebitno nevarnost ali povezavo premikajočih se delov, zlome delov ali morebitno drugačno stanje, ki bi lahko vplivalo na delovanje električnega orodja.** Če je električno orodje poškodovano, ga pred ponovno uporabo nesite na popravilo. Mnogo nesreč se pripeti zaradi slabo vzdrževanih električnih orodij.
  - Rezalna orodja naj bodo vedno nabrušena in čista.** Pravilno vzdrževana rezalna orodja z ostrimi rezili se težje zaskočijo in jih je lažje nadzirati.
  - Električno orodje, dodatke, dele orodja itd.**

uporabljajte v skladu s temi navodili, pri tem pa upoštevajte delovne pogoje in delo, ki ga boste opravljali. Če boste električno orodje uporabljali za neustrezne namene, lahko pride do nevarnih situacij.

- h) Ročaji in prijemalne površine naj bodo suhe, čiste in brez madežev olja ali masti. Drseči ročaji in prijemalne površine ne omogočajo varnega ravnanja in nadzorovanja orodja v nepričakovanih situacijah.
- 5) **UPORABA IN VZDRŽEVANJE BATERIJSKEGA ORODJA**
- a) **Baterijo polnite le s polnilnikom, ki ga določa proizvajalec.** Polnilnik, ki je primeren za eno vrsto akumulatorskih sklopov, morda lahko povzroči nevarnost požara, če z njim polnite drugo vrsto akumulatorskih sklopov.
- b) **Akumulatorska orodja uporabljajte samo s predpisano vrsto akumulatorskih sklopov.** Uporaba katerih koli drugih akumulatorskih sklopov lahko povzroči tveganje poškodb in požara.
- c) **Ko akumulatorski sklop ni v uporabi, ga hranite ločeno od drugih kovinskih predmetov, kot so sponke za papir, kovanci, ključji, žebliji, vijaki ali drugi majhni kovinski predmeti, ki lahko povzročijo stik med enim in drugim kontaktom.** Kratek stik zaradi povezanih kontaktov baterije lahko povzroči opekline ali požar.
- d) **Ob zlorabi baterije lahko iz nje brizgne tekočina, stik s katero preprečite. Če se nehote dotaknete tekočine, mesto dotika sperite z vodo.** Če pride tekočina v stik z očmi, poleg tega poiščite zdravstveno pomoč. Tekočina, ki brizgne iz akumulatorja, lahko povzroči draženje ali opekline.
- e) **Akumulatorskega sklopa ali orodja, ki je poškodovano ali spremenjeno, ne uporabljajte.** Poškodovani ali spremenjeni akumulatorji lahko nepredvidljivo delujejo, zaradi česar lahko pride do požara, eksplozije ali nevarnosti telesnih poškodb.
- f) **Akumulatorskega sklopa ali orodja ne izpostavljajte ognju ali previsokim temperaturam.** Izpostavljenost ognju ali temperaturam nad 130 °C lahko povzroči eksplozijo.
- g) **Upoštevajte vsa navodila za polnjenje in akumulatorske sklope ali orodja ne polnite izven temperaturnega razpona, navedenega v navodilih.** Zaradi nepravilnega polnjenja ali temperature zunaj navedenega razpona lahko pride do poškodb baterije in povečanega tveganja za požar.
- 6) **SERVIS**
- a) **Električno orodje naj servisira usposobljeno servisno osebje, ki uporablja le enake nadomestne dele.** To bo zagotovilo ohranjanje varnosti električnega orodja.
- b) **Nikoli ne popravljajte poškodovanih akumulatorskih sklopov. Akumulatorske sklope lahko popravi le proizvajalec ali pooblaščen izvajalec servisiranja.**

#### **VARNOSTNA NAVODILA ZA BREZKRTAČNE KROŽNE ŽAGE**

#### **VARNOSTNA NAVODILA ZA VSE ŽAGE**

- a) **NEVARNOST:** Roke držite stran od območja rezanja in rezila. Drugo roko držite na pomožnem

ročaju ali ohišju motorja. Če držite žago z obema rokama, ju rezilo ne more prerezati.

- b) **Ne segajte pod obdelovanec.** Varovalo vas ne more zaščititi pred rezilom pod obdelovanecem.
- c) **Nastavite globino rezanja na debelino obdelovanca.** Pod obdelovanecem ne sme biti viden celoten zob zobnega rezila.
- d) **Med rezanjem nikoli ne držite obdelovanca v rokah ali čez nogo. Obdelovanec pritrdite na stabilno platformo.** Pomembno je, da se pravilno lotite dela, da zmanjšate izpostavljenost telesa, vezavo rezila ali izgubo nadzora.
- e) **Med izvajanjem postopka, pri katerem se lahko rezalna oprema dotakne skritega ožičenja, držite električno orodje za izolirane prijemalne površine.** Če se dotakne žice, ki je pod električno napetostjo, se izpostavljeni kovinski deli električnega orodja naelektrijo in povzročijo električni udar.
- f) **Pri trganju vedno uporabite ograjo ali vodilo z ravnim robom.** Tako izboljšate natančnost reza in zmanjšate možnost vezave rezila.
- g) **Vedno uporabljajte rezila z ustrezno velikostjo in obliko (diamantna ali okrogla) lukenji nastavka.** Rezila, ki se ne ujemajo z vgradnim nastavkom žage, ne bodo delovala naravnost in bodo povzročila izgubo nadzora.
- h) **Nikoli ne uporabljajte poškodovanih ali napačnih podložke rezila ali sornika.** Podložke rezila in sornik so bili posebej zasnovani za vašo žago, za njeno optimalno in varno delovanje.

#### **DODATNA VARNOSTNA NAVODILA ZA VSE ŽAGE**

#### **VZROKI ZA POVRTATNE SUNKE IN Z NJIMI POVEZANA OPOZORILA**

- povratni sunek je nenadna reakcija na stisnjen, zataknjen ali neporavnan žagin list, zaradi česar se žaga nenadzorovano dvigne gor in iz obdelovanca proti upravljalvcu;
- ko je rezilo stisnjeno ali tesno zataknjeno zaradi zapiranja zarez, se rezilo upočasni in reakcija motorja hitro požene enoto proti operaterju;
- če se rezilo zvije ali nepravilno poravna v rezu, se lahko zobje na zadnjem robu rezila poglobijo v zgornjo površino lesa, zaradi česar se rezilo dvigne iz zarez in skoči nazaj proti operaterju.

Povratni sunek je posledica nepravilne uporabe žage in/ali nepravilnih delovnih postopkov ali pogojev, temu pa se lahko izognete s pravnimi ukrepi, opisanimi spodaj:

- a) **Trdno primate žago z obema rokama in postavite roki tako, da boste lahko ublažili sile povratnih sunkov.** Postavite se na obe strani rezila, vendar ne v linijo rezila. Povratni udarec lahko povzroči, da žaga odskoči, vendar lahko upravljalavec ob upoštevanju ustreznih previdnostnih ukrepov nadzoruje sile povratnega udarca.
- b) **Ko je rezilo vezano ali pri prekinitvi reza iz kakršnega koli razloga spustite sprožilec in držite žago nepremično v materialu, dokler se rezilo popolnoma ne ustavi. Nikoli ne poskušajte odstraniti žage iz obdelovanca ali povleči žage nazaj, medtem ko se rezilo premika, saj lahko pride do povratnega sunka.** Raziščite in sprejmite korektivne ukrepe, da odpravite vzrok za vezavo rezila.

- c) **Pri ponovnem zagonu žage v obdelovancu poravnajte žagin list na sredino zareze, tako da se zobniki žage ne pogreznejo v material.** Če se žagin list veže, se lahko ob ponovnem zagonu žage dvigne ali sune nazaj iz obdelovanca.
- d) **Velike plošče podprite, da zmanjšate tveganje za ukleščenje rezil in povratni sunek.** Velike plošče se pogrezajo pod svojo lastno težo. Opornike je treba postaviti pod ploščo na obeh straneh, blizu linije reza in blizu roba plošče.
- e) **Ne uporabljajte topih ali poškodovanih rezil.** Nenabrušena ali nepravilno nameščena rezila ustvarijo ozko zarezo, ki povzroči prekomerno trenje, vezavo rezila in povratni sunek.
- f) **Preden naredite rez, morajo biti globina rezila in zaklepni vzvodi za nastavitev poševnine trdno in varno nameščeni.** Če se med rezanjem nastavitev rezila spremeni, lahko povzroči vezavo in povratni sunek.
- g) **Pri žaganju v obstoječe stene ali druga slepa območja morate biti še posebej previdni.** Izstopajoče rezilo lahko prereže predmete, ki lahko povzročijo povratni sunek.

#### FUNKCIJA SPODNJEGA VAROVALA

- a) **Pred vsako uporabo preverite, ali je spodnje varovalo pravilno zaprto. Žage ne uporabite, če se spodnje varovalo ne premika prosto in se takoj zapre. Spodnjega varovala nikoli ne vpnite ali pritrдите v odprt položaj.** Če je žaga onesreči padla, se lahko spodnje varovalo zvije. Z izvlečno ročico dvignite spodnje varovalo in se prepričajte, da se prosto giblje in se ne dotika rezila ali katerega koli drugega dela v vseh kotih in globinah reza.
- b) **Preverite delovanje vzmeti spodnjega varovala. Če varovalo in vzmet ne delujeta pravilno, ju je treba pred uporabo servisirati.** Spodnje varovalo lahko deluje počasi zaradi poškodovanih delov, lepljivih usedlin ali kopičenja ostankov.
- c) **Spodnje varovalo lahko ročno uvlečete samo za posebne reze, kot so »potopni rezi« in »sestavljene rezi«.** Z uvlečnim ročajem dvignite spodnje varovalo in takoj, ko se rezilo dotakne materiala, se mora spodnje varovalo sprostiti. Pri vseh drugih postopkih žaganja mora delovati spodnje varovalo samodejno.
- d) **Vedno preverite, ali spodnje varovalo pokriva rezilo, preden odložite žago na delovno mizo ali na tla.** Nezaščiten, vrteče se rezilo bo povzročilo, da se bo žaga premaknila nazaj in pri tem zarezala v vse na njeni poti. Upoštevajte čas, ki je potreben, da se rezilo zaustavi po sprostitvi stikala.

#### SPLOŠNO

- Tega orodja ne smejo uporabljati osebe, mlajše od 16 let.
- To orodje ni primerno za mokro rezanje
- **Ne obdelujte materiala, ki vsebuje azbest** (azbest velja za rakotvornega).
- Prah materialov, kot so barve, ki vsebujejo svinec, nekatere vrste lesa, mineralov ali kovin so lahko škodljivi (ob stiku ali vdihavanju lahko prah pri delavcu ali pri drugih prisotnih povzroči alergijsko reakcijo in/ali boleznih dihal); **nosite masko za prah in pri delu uporabljajte napravo za odsesavanje prahu, kjer je le-to možno priključiti.**
- Nekatere vrste prahu so klasificirane kot kancerogene (npr. prah hrasta in bukke), predvsem ob sočasni uporabi

z dodatki za obdelavo lesa; **uporabljajte masko za prah in pri delu uporabljajte napravo za odsesavanje prahu, kjer je to možno priključiti.**

- Upoštevajte nacionalne zahteve glede prahu za materiale, ki jih želite obdelovati.
- Te žage ne uporabljajte v kombinaciji z mizo za žago.
- Preden orodje kakor koli prilagodite ali zamenjate nastavke, iz orodja odstranite akumulatorsko baterijo.

#### DODATNI PRIBOR

- SKIL zagotavlja brezhibno delovanje orodja le z uporabo originalnega dodatnega pribora.
- Uporabljajte lahko dodatni pribor, katerega dovoljena hitrost je najmanj enaka največji hitrosti orodja.
- Uporabljajte samo žagine liste, ki ustrezajo karakteristikam, navedenim v teh navodilih za uporabo, in ki so preizkušeni po EN 847-1 ter ustrezno označeni.
- Uporabljajte samo žagine liste s premerom 165 mm in luknjo za vreteno 16 mm.
- S tem orodjem nikoli ne uporabljajte brusilnih/rezalnih diskov.

#### PRED UPORABO

- Izogibajte se poškodbam zaradi vijakov, žebeljev ali drugih elementov v obdelovancu; odstranite jih pred začetkom dela.
- Pred začetkom rezanja odstranite vse ovire na poti reza in pod njo.
- **Zavarujte obdelovanec** (obdelovanec vpet z vpenjalnimi napravami ali v primež je bolj varen, kot če ga držite z roko).
- **Za iskanje skritih električnih, plinskih in vodovodnih cevi uporabite primerne iskalne naprave** (detektorje) ali se posvetujte z lokalnimi podjetji (stik z električnimi vodniki lahko povzroči požar ali električni udar; poškodbe plinovoda lahko povzročijo eksplozijo, vdor v vodovodno omrežje pa materialno škodo ali električni udar).

#### MED UPORABO

- Raven hrupa pri delu lahko preseže 85 dB(A); nosite zaščitno za sluh.
- Nikoli ne uporabljajte orodja brez originalnega sistema zaščitnega varovala
- Ne poskušajte rezati zelo majhnih obdelovancev
- Z orodjem ne delajte nad glavo
- V primeru zatikanja ali električne ali mehanske okvare takoj izklopite orodje in odstranite baterijo.

#### PO UPORABI

- Ko orodje postavite v stran, izklopite motor in pazite, da se vsi premikajoči se deli orodja popolnoma zaustavijo.
- Po izklopu krožne žage nikoli ne zaustavite vrtenja žaginega lista tako, da uporabite silo s strani.

#### BATERIJE

- **Baterija, če je priložena, je delno napolnjena** (če želite zagotoviti polno zmogljivost baterije, jo pred prvo uporabo popolnoma napolnite s polnilnikom za baterijo)
- **S tem orodjem lahko uporabljate samo naslednje baterije in polnilce**
  - Baterija SKIL: BR1\*31\*\*\*\*
  - Polnilnik SKIL: CR1\*31\*\*\*\*
- Če je baterija poškodovana, je ne uporabljajte, ampak jo takoj zamenjajte.
- Baterije ne razstavljajte.
- Orodja/baterije ne izpostavljajte dežju.
- Dovoljena temperatura okolice (orodje/polnilnik/baterija):
  - pri polnjenju od 4 do 40 °C,
  - pri delu od -20 do +50 °C,
  - pri skladiščenju od -20 do +50 °C.

## RAZLAGA SIMBOLOV NA ORODJU

- ③ Pred uporabo preberite navodila za uporabo.
- ④ Baterije lahko pri izpostavljanju odprtemu ognju eksplodirajo, zato jih nikoli ne sežigajte.
- ⑤ Orodje/polnilnik/baterijo shranjujte v prostoru, kjer temperatura ne bo presegla 50 °C.
- ⑥ Ne odstranjujte električnega orodja in baterije skupaj z gospodinjiskimi odpadki.

## UPORABA

- Polnjenje baterije
  - ! **Preberite varnostna opozorila in navodila, priložena polnilniku.**
- Odstranjevanje/namesščanje baterije ②
- Indikator stanja napoljenosti baterije ⑦
  - Pritisnite gumb indikatorja stanja akumulatorja AB, da prikazate trenutno stanje akumulatorja ⑦a.
  - ! **Ko po pritisku gumba AB ⑦b začne utripati najnižja stopnja napoljenosti baterije, je baterija prazna.**
  - ! **Ko po pritisku gumba AB ⑦c začneta utripati 2 stopnji indikatorja baterije, se baterija ne nahaja v dovoljenem temperaturnem obsegu.**
- Lučka LED za črto sence ⑧
  - Orodje je opremljeno z lučko LED za črto sence, ki se nahaja pod zgornjim varovalom.
  - To zagotavlja dodatno osvetlitev žaginega lista in površine obdelovanca.
  - Lučka LED projicira senco žaginega lista za vodenje orodja po zeleni črti reza, označeni na obdelovancu.
  - ! **vedno napravite test na odpadnem materialu**
  - Lučka LED se samodejno vklopi z rahlim pritiskom sprožilnega stikala. Izklopi se približno 10 sekund po sprostitvi sprožilnega stikala.
  - ! **Ko je orodje in/ali akumulatorski sklop preobremenjen, bo lučka LED hitro utripala, notranji senzorji pa bodo izklopili orodje. Odložite orodje za nekaj časa ali pa postavite orodje in akumulatorski sklop za nekaj časa na zrak, da se ohladi.**
  - ! **Lučka LED bo utripala počasneje, kar pomeni, da je stopnja napoljenosti akumulatorja nizka. Znova napolnite akumulatorski sklop.**
  - Gumb za čiščenje LED X, vgrajen v zgornji ščitnik, je namenjen čiščenju lučke LED. Ko se lučka LED zatemni zaradi na njej nakopičene žagovine, obrnite gumb za čiščenje LED X v katero koli smer, da odstranite žagovino in da lučka LED spet postane svetla.
- Zaščita baterije
  - Orodje se nenadoma izklopi ali pa ga ni mogoče vklopiti v naslednjih primerih:
    - **previsoka obremenitev** --> odstranite obremenitev in zaženite znova;
    - **Temperatura baterije ni v dovoljenem razponu delovne temperature od -20 do +50 °C** --> 2 ravni indikatorja napoljenosti akumulatorja začnejo utripati, ko pritisnete gumb AB ⑦c; počakajte, da se akumulator vrne v dovoljeni razpon delovne temperature.
    - **Akumulator je skoraj prazen (zaščitite ga pred popolno izpraznitvijo)** --> indikator napoljenosti akumulatorja prikaže nizko raven napoljenosti akumulatorja ali utripajočo nizko raven napoljenosti akumulatorja ⑦b, ko pritisnete gumb AB; napolnite

akumulator.

- ! **Po samodejnem izklopu ne pritiskajte stikala za vklop/izklop; baterija se lahko poškoduje.**
- Namestitev žaginega lista AA ②
  - ! **Odstranite baterijo iz orodja.**
  - Vzemite imbus ključ A iz shrambe B.
  - Pritisnite gumb za zaklep vretena C in ga držite, medtem ko odstranjujete vijak D tako, da imbus ključ A vrtite v **SMERI URINEGA KAZALCA** (= v isto smer, kot kaže puščica na žagineh listu).
  - ! **Gumb za blokado vretena C pritisnite, ko je orodje popolnoma zaustavljeno.**
  - Sprostite gumb za blokado vretena C.
  - Odstranite prirobnico E.
  - ! **Prepričajte se, da so naležne površine prirobnic H popolnoma čiste in obrnjene proti rezilu.**
  - Odprite spodnje varovalo F z vzvodom G in ga držite, medtem ko namestite žagin list tako, da kažejo zobje lista in puščica, ki je natisnjena na njem, v isto smer kot puščica na spodnjem varovalu.
  - Sprostite spodnje varovalo F.
  - Namestite prirobnico E.
  - Pritisnite gumb za zaklep vretena C in ga držite, medtem ko zategnete vijak D z imbus ključem A za 1/8 obrata več kot z roko (to zagotavlja zdrs lista, če le ta naleti na premočno oviro; tako se zmanjša preobremenitev motorja in povratni sunek žage).
  - Sprostite gumb za blokado vretena C.
- Nastavitev globine reza (0–57 mm) ⑨
  - Sprostite gumb K.
  - Dvignite/spustite nožno ploščo J, dokler na lestvici ne nastavite zelene globine rezanja z indikatorjem globine rezanja L
  - Privijte gumb K.
  - Za optimalno kvaliteten rez naj list žage ne sega iz obdelovanca več kot en zob.
- Nastavitev kot reza (0–45°) ⑩
  - Sprostite gumb M.
  - Nagibajte orodje, dokler na skali z indikatorjem ne nastavite zelenega kota rezanja N.
  - Privijte gumb M.
  - ! **pri posebnem rezu, globina reza ne ustreza označeni globini na skali**
- Indikator linije reza P ⑪
  - Pri vodenju orodja po črti reza na obdelovancu.
  - Indikator linije reza uporabite pri ravnih rezih (0°) ali posebnih rezih (45°).
  - ! **Širši del sani vodimo po podprtem delu obdelovanca**
  - ! **širina reza je določena s širino zob žaginega lista in ne z debelino telesa lista**
  - ! **vedno najprej napravite poskusne reze za preverjanje dejanske črte reza**
- Odsesavanje prahu ⑫
  - Z vijakom s križno glavo pritrdite adapter za sesalnik R na vrata za odsesavanje prahu Q.
  - Za uporabo vakuumskega sesalnika
    - Cev sesalnika priključite na adapter za sesalnik R.
    - ! **Cev sesalnika ne sme nikoli ovirati spodnjega varovala F ali postopka rezanja.**
  - Vrečka za prah
    - Namestite vrečko za prah AC\*NI STANDARDNO PRILOŽENA

- Upravljanje orodja
  - Namestite akumulator.
  - Z eno roko vedno trdno držite zadnji ročaj S, z drugo roko pa sprednji ročaj T.
  - Položite orodje s sprednjim delom podnožja na obdelovanec.
- ! **Zagotovite, da se zobje žaginega lista ne dotikajo obdelovanca**
- Orodje vklopite tako, da najprej pritisnete varnostno stikalo W in nato še sprožilec V
- ! **orodje naj doseže polno hitrost, preden list žage zareže v obdelovanec**
- Spodnje varovalo F se samodejno odpre, ko z žaginim listom zarežete v obdelovanec (ročno odprite spodnje varovalo z vzvodom G samo za posebne reze, kot so potopni rezi).
- ! **orodja ne uporabljajte s silo (pritiskejte rahlo in neprekinjeno, da se preprečite pregrevanje konic rezila)**
- Po opravljenem rezu izklopite orodje, tako da sprostite sprožilec V.
- ! **Prepričajte se, da je žagin list popolnoma zaustavljen, preden orodje dvignete iz obdelovanca.**

## NASVETI ZA UPORABO

- Vedno obrnite dobro stran obdelovanca navzdol, da zagotovite čim manj razpok.
- Uporabljajte samo ostre žagine liste ustreznega tipa ⑬
  - Kakovost reza se izboljšuje s številom zob
  - Rezila s karbidnimi konicami ostanejo ostra do 30-krat dlje kot običajna rezila
- Prečni rezi/raztrgani kosi ⑭
  - Prečni rezi ali rezi so enostavni v vzporednim vodilom Y.
  - Poravnajte smernico z 0° indikatorjem linije reza P na podnožju.
  - Vstavite vzporedno vodilo Y skozi reže na obeh straneh stopala na želeno širino in pritrдите z gumbom Z.
- ! **Zagotovite, da stransko vodilo ne ovira prostega pretoka spodnjega varovala in žaginega lista.**
- Globinsko rezanje ⑮
  - Nastavite želeno globino rezanja.
  - Orodje nagnite naprej z indikatorjem linije reza P, ki je poravnana z zeleno linijo reza, označeno na obdelovancu.
  - Odprite spodnje varovalo F z vzvodom G.
  - Tik preden žagin list približamo obdelovancu, vključite orodje in postopoma spustite zadnji del žage; pri tem nam naslonjen prednji del žage služi kot tečaj.
  - Postopoma pomikajte orodje navzdol in tudi naprej.
  - Takoj, ko rezilo zareže v material, sprostite vzvod G.
- ! **orodja nikoli ne pomikamo vzvratno**
- Rezanje večjih plošč ⑯
  - Ploščo podprite blizu reza tako na tleh, mizi kot delovni mizi.
- ! **nastavite globino reza samo skozi ploščo, ne pa tudi skozi podporo**
- Če stransko vodilo ne omogoča zelene širine reza, pritrđite ali pribijte raven kos lesa na obdelovanec kot vodilo in uporabite desno stran podnožja za vodenje ob tem vodilu ⑰.
- Rezanje z vodilom ⑱
  - \*NI DEL STANDARNE OPREME

- Uporaba vodila omogoča natančne, ravne in točne reze, bodisi pri 45° ali 90° poševnih rezih.
- Pred prvim rezom z vodilom je treba gumijasto tesnilo prilagoditi uporabljani krožni žagi.
- Za raven 90° rez poravnajte 90° poševno stran vodila AD (ali 45° poševno stran pri izdelavi 45° poševnega reza) z zeleno linijo reza, označeno na obdelovancu.
  - Vodilo AD trdno pritrđite na obdelovanec s pomočjo objemk vodila AE ⑲\* NI DEL STANDARNE OPREME.
  - Žago namestite na vodilo AD in se prepričajte, da lahko žaga prosto drsi po tirnici, ne da bi nihala vstran.
  - Pri nastavljanju globine reza ne pozabite omogočiti debeline vodila AD.
  - Žago enakomerno usmerjajte s počasno hitrostjo podajanja skozi konec vodila AD.
- Za več informacij obiđite spletno stran [www.skil.com](http://www.skil.com).

## VZDRŽEVANJE/SERVISIRANJE

- Ta naprava ni namenjena profesionalni uporabi.
- Orodje naj bo vedno čisto.
- ! **Pred čiščenjem odstranite baterijo iz orodja.**
- Vedno vzdržujte čistočo območja okoli spodnjega varovala F ② (prah in odrezke odstranite s prepihanjem s stisnjenim zrakom ali krtačo).
- Žagin list očistite takoj po uporabi (zlasti smolo in lepilo).
- Če bi kljub skrbnim postopkom izdelave in preizkušanja prišlo do izpada delovanja orodja, naj popravilo opravi servisna delavnica, pooblašena za popravila električnih orodij SKIL.
- Pošljite nerazstavljeno orodje skupaj s potrdilom o nakupu pri vašemu prodajalcu v najbližjo SKIL servisno delavnico (naslovi, kot tudi spisek rezervnih delov se nahaja na [www.skil.com](http://www.skil.com)).
- Zavedajte se, da garancija ne vključuje poškodb zaradi preobremenitve orodja ali nepravilne rabe (več informacij o garancijskih pogojih družbe SKIL najdete na spletnem mestu [www.skil.com](http://www.skil.com) ali povprašajte prodajalca).

## OKOLJE

Samo za države EU

- **Električnega orodja, pribora in embalaže ne odstranjajte skupaj z gospodinjstskimi odpadki.**
  - V skladu z Evropsko direktivo 2012/19/EG o odpadnih električni in elektronski opremi in z njenim izvajanjem v nacionalni zakonodaji je treba električna orodja ob koncu njihove življenjske dobe ločeno zbirati in jih predati v postopek okolju prijaznega recikliranja.
  - Ko bo izdelek treba odstraniti, vas bo na to spomnil simbol ⑥.
- ! **Preden baterijo zavrzete, prilepite kontakte z debelejšim izolirnim trakom, da preprečite kratek stik.**

## HRUP/VIBRIRANJE

- Raven zvočnega tlaka tega orodja, ki je bila izmerjena v skladu s standardom EN 62841, znaša 94 dB(A), raven zvočne moči je 102 dB(A) (odstopanje K = 3 dB), in vibracij < 2,5 m/s<sup>2</sup> \* (triosna vektorska vsota; odstopanje K = 1,5 m/s<sup>2</sup>)
- Raven oddajanja vibracij je bila izmerjena v skladu s standardiziranimi testi, navedenimi v EN 62841; uporabiti



jo je mogoče za primerjavo različnih orodij med seboj in za predhodno primerjavo izpostavljenosti vibracijam pri uporabi orodja za namene, ki so omenjeni.

- Uporaba orodja za drugačne namene ali uporaba skupaj z drugimi, slabo vzdrževanimi nastavki lahko znatno **poveča** raven izpostavljenosti.
- Čas, ko je orodje izklopljeno ali ko je vklopljeno, vendar z njim ne delamo, lahko znatno **zmanjša** raven izpostavljenosti.

**! Pred posledicami vibracij se zaščitite z vzdrževanjem orodja in pripadajočih nastavkov, ter tako, da so vaše roke tople, vaši delovni vzorci pa organizirani.**

EST

## Harjadeta ketassaag 3551 SISSEJUHATUS

- Tööriist on ettenähtud piki- ja ristlõigete tegemiseks puidus otse või kuni 45° kaldenurga all
- Tööriist pole mõeldud professionaalseks kasutamiseks.
- Lugege käesolev kasutusjuhend hoolikalt läbi ja hoidke alles. ③

## TEHNILISED ANDMED ①

### TÖÖRIISTA OSAD ②

- A Kuuskantvõti
- B Kuuskantvõtme hoidik
- C Spindlielukustusnupp
- D Polt
- E Äärük
- F Alumine kettakaitse
- G Alumise kettakaitse avamishoob
- H Klemmpind
- J Alusplaat
- K Nupp lõikesügavuse reguleerimiseks
- L Lõikesügavuse osuti
- M Lõikenurga reguleerimisnupp
- N Lõikenurga osuti
- P Juhtkiil
- Q Tolmueraldusport
- R Tolmuimeja adapter
- S Tagumine käepide
- T Eesmine käepide
- U Juhtsiini pilt
- V Päästiklüliti
- W Ohutuslüliti
- X LED-puhastusketas
- Y Paralleeljuhk
- Z Paralleeljuhiku reguleerimisnupp

- AA Saetera
  - AB AAku laetuse taseme märgutuli
  - AC ATolmukott\*
  - AD AJuhtsiin\*
  - AE AJuhtsiini klamber\*
- \* EI KUULU STANDARDKOMPLEKTI

## OHUTUS

### SEADME ÜLDISED OHUTUSHOIATUSED

**⚠ HOIATUS! Lugege läbi kõik elektritööriistaga kaasas olevad hoiatused, juhised, joonised ja andmed.** Alltoodud juhiste eiramine võib põhjustada elektrilööki, tulekahju ja/või tõsiseid vigastusi.

### Säilitage hoiatused ja juhised hilisemaks kasutuseks.

Hoiatustes kasutatud termin "elektritööriist" viitab voolu jõul (juhtmega) töötavale elektrilisele tööriistale või aku jõul töötavale (juhtmevabale) elektrilisele tööriistale.

#### 1) TÖÖPIIRKONNA OHUTUS

- Tööpiirkond peab olema puhas ja hästi valgustatud.** Täis kuhjatud või valgustamata tööpiirkonnad võivad põhjustada õnnetusi.
- Ärge kasutage elektritööriistu plahvatusohtlikes keskkondades, näiteks kergesti süttivate vedelike, gaaside või tolmu läheduses.** Elektritööriistad tekitavad sädemeid, mis võivad süüdata tolmu või auruksid.
- Elektritööriistadega töötamisel hoidke lapsed ja kõrvalised isikud eemal.** Tähelepanu hajumisel võite kaotada kontrolli seadme üle.

#### 2) ELEKTRILINE OHUTUS

- Elektritööriistad tuleb ühendada sobivasse pistikupesassa. Ärge kunagi modifitseerige pistikut mitte mingil viisil.** Ärge kasutage maandatud elektritööriistadega koos pistikuadaptereid. Modifitseerimata pistikut ja sobivad pistikupesad vähendavad elektrilöögi ohtu.
- Vältige kehalist kontakti maandatud pindadega (nt torud, radiaatorid, katted, külmikud).** Kui teie keha on maandatud, suureneb elektrilöögi oht.
- Ärge jätke elektritööriistu vihma kätte ega niisketesse tingimustesse.** Vee sattumine elektritööriista sisse suurendab elektrilöögi ohtu.
- Ärge rikkuge juhet. Ärge kasutage juhet elektritööriista kandmiseks või tõmbamiseks ja ärge tõmmake juhtmest, kui soovite pistikut pistikupesast eemaldada.** Vältige juhtme kokkupuudet kuumade esemete, õli, teravate servade või liikuvate osadega. Kahjustatud või puntras juhe suurendab elektrilöögi ohtu.
- Elektritööriistaga välitingimustes töötamiseks kasutage välitingimustesse sobivat pikendusjuhet.** Välitingimustesse sobiva juhtme kasutamine vähendab elektrilöögi ohtu.
- Kui peate kindlasti kasutama tööriista niiskes kohas, kasutage seadet, mille toite tagab jääkvooluseade (RCD).** RCD kasutamine vähendab elektrilöögi ohtu.

#### 3) ISIKLIK OHUTUS

- Olge tähelepanelik, töötage hoolikalt ja rakendage tervet mõistust. Ärge kasutage elektritööriista, kui olete väsinud, või rohtude, alkoholi või narkootikumide mõju all.** Vaid hetkeline tähelepanematus elektritööriista kasutamisel võib põhjustada raskeid kehavigastusi.
- Kasutage isikukaitsevahendeid. Kandke alati silmakaitsevahendeid.** Töötingimustele vastava kaitsevarustuse (nt tolmu maski, mittelibisevate turvajalanõude, kiivri või kuulmiskaitsevahendite) kasutamine vähendab kehavigastuste ohtu.
- Ennetage tööriista tahtmatut käivitamist. Enne**

tööriista vooluvõrgu ja/või akuplokiga ühendamist ning enne tööriista kandmist või üles tõstmist veenduge, et lüliti on mitteaktiivses asendis. Elektritööriistade kandmine sõrme lülilit hoides või akuploki ühendamine, kui lüliti on sisse lülitatud, põhjustab õnnetusi.

- d) Enne tööriista sisselülitamist eemaldage sellelt kõik reguleerimis- ja mutrivõtmed. Elektritööriista pöörleva osa külge unustatud võtmed vms tööriistad võivad põhjustada kehavigastusi.
- e) Ärge küünitage liiga kaugele. Töötage ainult kindlal pinnal ja kohtades, kus pole ohtu tasakaalu kaotada. Nii säilitate ootamatutes olukordades parema kontrolli elektritööriista üle.
- f) Riietuge asjakohaselt. Ärge kandke avaraid rõivaid ega ehteid. Vältige oma juuste ja riiete kokkupuudet liikuvate osadega. Avarad rõivad, ehted ja pikad juuksed võivad liikuvate osade vahele kinni jääda.
- g) Kui tootega on kaasas vahendid tolmuärastus- ja kogumisseadmete ühendamiseks, siis veenduge, et need seadmed on korralikult ühendatud ja asjakohases kasutuses. Tolmukogumisseadmete kasutamine vähendab sagedasa seotud ohtusid.
- h) Kui seade on teile sagedase kasutamise tulemusel harjumuspäraseks saanud, ärge laske ennast lõdvaks ega ignoreerige tööriista kasutamise ohutusreegleid. Hooletuse tõttu võite saada tõsisaid vigastusi ka sekundi murdosa jooksul.

#### 4) ELEKTRITÖÖRIISTA KASUTAMINE JA HOOLDUS

- a) Ärge rakendage elektritööriista kasutamisel jõudu. Kasutage konkreetseks tööks sobivat elektritööriista. Sobiva elektritööriistaga sobival kiirusel töötades saate töö valmis kiiresti ja ohutult.
- b) Ärge kasutage elektritööriista, mida ei saa lülilit sisse ega välja lülitada. Elektritööriistad, mille lüliti ei tööta, on ohtlikud ja tuleb parandada.
- c) Eemaldage pistik vooluvõrgust ja/või akuplokk seadme küljest, kui see on eemaldatav, enne seadme kohandamist, tarvikute vahetamist või elektritööriista houstumist. Selliste ohutusmeetmete rakendamisel vähendate elektritööriista tahtmatu käivitamise võimalust.
- d) Elektritööriistu, mida te hetkel ei kasuta, hoidke lastele kättesaamatus kohas ning ärge lubage nendega töötada isikutel, kes pole tööriistade tööpõhimõtete või käesoleva juhendiga tutvunud. Koolitamata isikute käes on elektritööriistad ohtlikud.
- e) Hooldage nii elektritööriistu kui tarvikuid. Kontrollige, et liikuvad komponendid on korrektselt joondatud ja ükski osa ei ole katki ning jälgige ka muid aspekte, mis võiksid elektritööriista omadusi mõjutada. Kahjustatud elektritööriist tuleb enne kasutamist parandada. Halvasti hooldatud elektritööriistad põhjustavad palju õnnetusi.
- f) Hoidke oma lõiketööriista teravad ja puhtad. Korralikult hooldatud ja teravate servadega lõikevahendid ei kiilu nii kergesti kinni ja on lihtsamini kontrollitavad.
- g) Kasutage elektritööriista, selle tarvikuid, tööriistaosi jm vastavalt käesolevale juhendile, võttes arvesse töötingimusi ja teostatavat tööd. Elektritööriista mitteshipärase kasutamine võib põhjustada ohtlikke olukordi.
- h) Hoidke käepidemed ja haardepinnad kuivad ja

puhtad ning vältige neile õli ja rasva sattumist.

Libedad käepidemed ja haardepinnad takistavad seadme ohutut kasutamist ja käsitemist ootamatutes olukordades.

#### 5) AKUSEADMETE KASUTAMINE JA HOOLDUS

- a) Kasutage laadimiseks ainult tootja poolt ette nähtud laadijaid. Akulaadija, mis sobib teatud tüüpi akuplokkile, võib põhjustada tulekahju ohtu, kui kasutada seda mõne teise akuplokkiga.
  - b) Kasutage elektritööriistu ainult nende jaoks ette nähtud akuplokkidega. Mõne muu akuploki kasutamine võib põhjustada vigastuste ja tulekahju ohtu.
  - c) Kui akut ei kasutata, hoidke seda eemal muudest metallesemetest nagu kirjaklambrid, mündid, võtmed, naelad, kruvid ja muud väikesed metallesemed, mis võivad klemmide vahel ühenduse luua. Akuklemmide lühiühendus võib põhjustada põletushaavu ja tulekahju ohtu.
  - d) Valedes tingimustes kasutamisel võib akut vedelikku välja tulla; vältige kokkupuudet sellega. Kokkupuute korral loputage rohke veega. Kui vedelik satub silma, pöörduge lisaks ka arsti poole. Akust erituv vedelik võib põhjustada ärritust või põletusi.
  - e) Ärge kasutage kahjustunud või modifitseeritud akuplokki või tööriista. Kahjustunud või modifitseeritud akud võivad toimida ettearvatult, mille tagajärjeks võib olla tulekahju, plahvatus või vigastuste oht.
  - f) Vältige akuploki või tööriista kokkupuudet tule või liiga kõrge temperatuuriga. Kokkupuude lahtise tule või temperatuuriga üle 130 °C võib põhjustada plahvatusi.
  - g) Järgige kõiki laadimisjuhiseid ja ärge laadige akuplokki või tööriista vale temperatuuri juures (vt juhiseid). Valesti või valel temperatuuril laadimine võib kahjustada akut ja suurendada tulekahju ohtu.
- #### 6) HOOLDUS
- a) Laske oma elektritööriista hooldada kvalifitseeritud remonditehnikul, kes kasutab ainult kvalitseid originaalvaruosi. See tagab elektritööriista ohutuse.
  - b) Ärge kunagi hooldage kahjustunud akuplokke. Akuplokkide hooldust võib teostada ainult tootja või volitatud teeninduskeskus.

#### HARJADETA KETASSAE KASUTAMISE OHUTUSEESKIRJAD

##### OHUTUSJUHISEDE KÕIKIDELE SAAGIDELE

- a) **⚠ OHT!** Hoidke käed lõikekohast ja terast eemal. Hoidke oma teist kätt abikäepidemel või mootori korpusel. Kui mõlemad käed hoiavad saagi, ei saa tera neid lõigata.
- b) Ärge pange kätt tooriku alla. Kaitsepiire ei kaitse teid tera eest töödeldava detaili alumisel poolel.
- c) Reguleerige lõikesügavust vastavalt tooriku paksuusele. Töödeldava detaili alt võib paista vähem kui üks tera hammas.
- d) Ärge kunagi hoidke toorikut lõikamise ajal käes ega jala peal/kohal. Kinnitage toorik stabiilsele alusele. Keha kokkupuute, tera kinnikiilumise ja seadme üle kontrolli kaotamise minimeerimiseks on oluline detail korralikult teostada.
- e) Hoidke elektritööriistu ainult isoleeritud

haardepindadest, kui teostate töid, mille käigus lõiketera võib puutuda kokku peidetud juhtmetega. Voolu all olevate juhtmetega kokku puutuvad lõiketerad võivad tööriista metallosad voolu alla viia ning kasutaja võib saada elektrilöögi.

- f) **Lõhestamisel kasutage alati kelku või sirget servajuhikut.** See suurendab lõike täpsust ja vähendab tera kinnikiilumise tõenäosust.
- g) **Kasutage alati õige suuruse ja kujuga (rombilise või ümara) teljeavaga lõiketerasid.** Sae paigaldusriistvaraga mitte kokku sobivad lõiketerad ebaühtlaselt ja võivad põhjustada seadme üle kontrolli kaotamise.
- h) **Ärge kunagi kasutage teral kahjustatud või valesid seibe või polti.** Lõiketera seibid ja polt on loodud spetsiaalselt teie sae jaoks, et tagada selle optimaalne jõudlus ja ohutu kasutamine.

## TÄIENDAVAD OHUTUSJUHISED KÕIKIDELE SAAGIDELE

### TAGASILÖÖGI PÕHJUSED JA NENDEGA SEOTUD HOIATUSED

- Tagasilöök on äkiline reaktsioon kokkusurutud, kinnikiilunud või joondusest väljas saeterale, mille tagajärjel tõuseb kontrollimatu saag toorikust üles ja paiskub kasutaja suunas;
- kui saelõige surub lõiketera kokku või lõiketera saelõikesse kinni kiilub, jääb tera seisma ja mootori tõuge lükkab seadet kiiresti kasutaja suunas;
- kui lõiketera paindub või on lõiketera joondusest väljas, võivad tera tagumise serva hambad puidu pealmisesse pinda tungida, põhjustades tera saelõikest väljaliiikumise ning kasutaja poole paiskumise.

Tagasilöök on sae väärkasutuse ja/või ebakorreksete töövõtete või -tingimuste tagajärg ning seda saab vältida alltoodud asjakohaste ettevaatusabinõude rakendamisega.

- a) **Hoidke saest mõlema käega tugevasti kinni ja viige oma käed asendisse, milles saate tagasilöögiõududele vastu astuda. Asetage oma keha terast ühele või teisele poole, kuid mitte teraga ühele joonele.** Tagasilöögi tõttu võib saag tagasi hüpata, kuid korralike ettevaatusabinõude korral saab operaator tagasilöögiõudu kontrollida.
- b) **Kui lõiketera kiilub kinni või lõikamine katkeb mõnel muul põhjusel, siis vabastage päästik ja hoidke saagi liikumatult tooriku sees, kuni lõiketera täielikult seisma jääb. Ärge kunagi püüdke eemaldada saagi tooriku seest või tõmmata saagi tahapoole siis, kui lõiketera veel liigub või kui võib tekkida tagasilööki.** Lõiketera kinnikiilumise põhjused tuleb välja selgitada ja elimineerida.
- c) **Sae taaskäivitamisel toorikus seadke saetera saelõike keskele nii, et saetera hambad ei ole tooriku sees kinni.** Kui saetera kinni kiilub, võib see sae taaskäivitamisel toorikus ülespoole liikuda või tagasilöögi anda.
- d) **Toetage suuri paneele, et minimeerida tera kokkusurumise ja tagasilöögi ohtu.** Suured paneelid kipuvad oma raskuse all painduma. Paneel peab olema toetatud mõlemalt poolt, lõikejoone lähedalt ja paneeli otsa poolt.
- e) **Ärge kasutage nürsid või kahjustatud lõiketerasid.**

Teritamata ja valesti seadistatud lõiketerad tekitavad kitsa saelõike; see omakorda põhjustab liigset hõõrdumist, lõiketera kinnikiilumist ja tagasilööki.

- f) **Tera sügavust ja kaldenurka reguleerivad lukustushoovad peavad enne lõike tegemist kindlalt kinni olema.** Tera seadistuse muutmine lõike ajal võib põhjustada tera kinnikiilumist ja tagasilööki.
- g) **Olemasolevate seinte või teiste pimealade lõikamisel olge eriti ettevaatlik.** Väljaulatuv tera võib lõigata detailidesse, mis võivad põhjustada tagasilööki.

### ALUMISE KAITSE FUNKTSIOON

- a) **Enne iga kasutuskorda kontrollige, kas alumine kaitsekate sulgub korralikult. Ärge kasutage saagi, kui alumine kaitse ei liigu vabalt ja ei sulgu koheselt. Ärge kunagi kinnitage ega siduge alumist kaitset avatud asendisse.** Kui saag kogemata maha kukub, võib alumine kaitse painduda. Tõstke alumine kaitsepiire kokkupandava käepideme abil üles ja veenduge, et see liigub vabalt ja ei puutu vastu tera ega muid seadme osi, mistahes nurga all või sügavuses te ka ei lõikaks.
- b) **Korraldage alumise kaitse vedru funktsioneerimist. Kui kaitse ja vedru ei tööta korralikult, tuleb neid enne kasutamist hooldada.** Alumise kaitsepiirde aeglane funktsioneerimine võib tuleneda kahjustunud osadest, kleepuvate ainetete või prahi kogunemisest.
- c) **Alumist kaitsepiiret võib käsitsi tagasi tõmmata ainult eriliiste lõigete puhul nagu „sukelduslõiked“ ja „kaldlõiked“.** Tõstke alumine kaitse sisetõmmatava käepideme abil üles ja laske alumine kaitse alla kohe, kui tera toorikusse siseneb. Kõigi teiste lõikamiste puhul peaks alumine kaitsepiire automaatselt tõõtama.
- d) **Enne sae pingile või pörandale asetamist kontrollige alati, et alumine kaitsepiire kataks lõiketera.** Kaitsmata, vabakäigul liikuv lõiketera liigutab saagi tahapoole, lõigates kõike, mis selle teele jääb. Jälgige ka aega, mille jooksul lõiketera pärast lüliti vabastamist peatub.

### ÜLDIST

- Tööriista kasutaja peab olema vähemalt 16-aastane.
- Tööriist ei sobi märglõigete tegemiseks.
- **Asbesti sisaldava materjali töötlemine on keelatud** (asbest võib tekitada vähki).
- Pliid sisaldavat värvi, mõningaid puiduliike, mineraale ja metalli sisaldavad materjalid eraldavad tolm, mis võib olla kahjulik (kokkupuude tolmuga või selle sissehingamine võib seadme kasutajal või läheduses viibivatel inimestel põhjustada allergilisi reaktsioone ja/või hingamisteede haigusi); **kandke tolmumaski ja vajaduse korral töötage külgeühendatava tolmueraldusseadmega.**
- Teatud tüüpi tolm on klassifitseeritud kantserogeensena (nt tammest ja pöögist eralduv tolm), eriti koos puidu niiskuse reguleerimiseks kasutatavate lisanditega; **kandke tolmumaski ja vajaduse korral töötage külgeühendatava tolmueraldusseadmega.**
- Erinevate materjalide töötlemisel tekkiva tolmuga käitlemisel tuleb järgida kehtivaid nõudeid.
- Ärge kasutage seda saagi koos saelauaga.
- Enne tööriista reguleerimist või tarkivute vahetust võtke aku välja.

### LISATARKIVIKUD

- SKIL tagab tööriista häireteta töö üksnes originaaltarvikute kasutamisel.

- Kasutage vaid neid tarvikuid, mille lubatud pöörete arv on vähemalt sama suur nagu maksimaalsed tühikäigupöörded.
- Kasutage üksnes saeterasid, mis vastavad käesolevas kasutusjuhendis esitatud andmetele ning mis on kontrollitud ja tähistatud vastavalt standardile EN 847-1.
- Kasutage ainult 165 mm läbimõõduga ja 16 mm spindliavaga saekettasid.
- Ärge kunagi kasutage selle tööriistaga lihvimis-/löikekettaid.

#### ENNE KASUTAMIST

- Väلتige töödeldavas esemes olevatest kruvidest, naeltest vms põhjustatud kahjustusi; eemaldage need enne töö alustamist.
- Enne saagimise alustamist eemaldage kõik nii töödeldava materjali peal- kui allpool löikejoonel asuvad takistused.
- **Kinnitage toorik** (fiksaatoriga kinnitatud või kruustangide vahele pandud toorik püsib kindlamini paigal kui lihtsalt käega hoides).
- **Varjatult paiknevate edastusliinide** (elektrijuhtmed, gaasi- või veetorud) avastamiseks kasutage sobivaid detektoreid või pöörduge kohaliku elektri-, gaasi- või vee-ettevõtte poole (kokkupuutel elektrijuhtmetega tulekahju- ja elektrilöögioht; gaasitorustiku vigastamisel plahvatusoht; veetorustiku vigastamisel materiaalne kahju või elektrilöögioht).

#### KASUTAMISE AJAL

- Töötamise ajal võib müratase ületada 85 dB(A); kandke kuulmiskaitsevahendeid.
- Ärge kunagi kasutage tööriista ilma originaalkaitseesadisteta.
- Ärge püüdke saagida väga väikesed toorikuid.
- Ärge töötag tööriistaga, hoides seda pea kohal.
- Seadme takerdumise, elektrilise või mehhaanilise häire korral lülitage seade viivitamata välja ja eemaldage aku.

#### PÄRAST KASUTAMIST

- Enne tööriista juurest lahkumist lülitage see välja ning oodake, kuni selle liikuvad osad on täielikult seiskunud.
- Pärast ketassae väljalülitamist ärge kunagi peatage saeketta pöörlemist külgsurvega.

#### AKUD

- **Kaasasolev aku** (kui selline komplektis sisaldub) on osaliselt laetud (aku täisvõimsuse tagamiseks laadige aku enne elektritööriista esmakordset kasutamist akulaaduriga täiesti täis)
- **Kasutage selle tööriistaga ainult järgmisi akusid ja laadijaid.**
  - SKILi aku: BR1\*31\*\*\*\*
  - SKILi laadija: CR1\*31\*\*\*\*
- Ärge kasutage kahjustatud akusid, vaid vahetage need kohe välja.
- Ärge võtke akut lahti.
- Ärge jätke tööriista/akut vihma kätte.
- Ümbritseva keskkonna lubatud temperatuur (tööriista/laadijat/akut):
  - laadimisel 4 kuni 40 °C;
  - töötamisel -20...+50 °C
  - hoiustamisel -20 °C kuni +50 °C.

#### TÖÖRIISTAL OLEVATE SÜMBOLITE SELGITUS

- ③ Enne kasutamist tutvuge kasutusjuhendiga.
- ④ Tulle visatud akud võivad plahvatada, seepärast ei tohi akut mitte mingil juhul põletada.
- ⑤ Hoidke tööriista/laadijat/akut kohas, kus temperatuur ei ületa 50 °C.

- ⑥ Ärge visake kasutuskõlbatuks muutunud elektrilise tööriistu ja akusid ära koos olmejäätmetega.

## KASUTAMINE

- Aku laadimine
- **! Lugege laaduriga kaasas olevaid ohutushoiatusi ja juhiseid.**
- Aku eemaldamine/paigaldamine ②
- Aku laetuse taseme märgutuli ⑦
  - vajutage aku laetusastme indikaatori nuppu AB, et näha aku laetusastet ⑦a antud hetkel
  - **! kui aku indikaatori kõige madalama astme tuli hakkab pärast nupule AB ⑦b vajutamist vilkuma, on aku tühi**
  - **! kui aku indikaatori kahe astme tuled hakkavad pärast nupule AB ⑦c vajutamist vilkuma, ei ole aku lubatud töötemperatuuri vahemikus**
- LED-tule varjujoon ⑧
  - Teie tööriist on varustatud LED-tulega, mis asub ülemise kaitse all.
  - See annab saelehele ja tooriku pinnale lisavalgustuse. LED-tuli projitseerib saelehe varju, et juhtida tööriista piki töödeldavale detailile märgitud soovitud löikejoont.
  - **! katsetage tööriista alati algul proovituulil** LED-tuli lülitub automaatselt sisse, kui päästikut kergelt vajutada. See lülitub automaatselt välja umbes 10 sekundit pärast päästiku vabastamist.
  - **! LED-tuli vilgub kiiresti, kui tööriist ja/või aku saab ülekoormatud või muutub liiga kuumaks, ning sisemiselt andurid lülitavad tööriista välja. Laske tööriistal veidi töötamata seista või asetage tööriist ja akuplokk üksteisest eraldatult õhuvoolu kätte, et neid jahutada.**
  - **! LED-tuli vilgub aeglasemalt, mis näitab, et aku laetuse tase on madal. Laadige akuplokki.** Ülemise kaitse sisse ehitatud LED-puhastusketas X on mõeldud LED-tule puhastamiseks. Kui LED-tuli muutub sellele kogunenud saepuru tõttu tuhmiks, keerake LED-puhastusketas X mis tahes suunas, et eemaldada saepuru ja muuta LED-tuli taas eredaks.
- Aku kaitse
  - Tööriist lülitatakse järsku välja või selle sisselülitamine ei ole võimalik, kui
  - **koormus on liiga suur** --> eemaldage koormus ja taaskäivitage
  - **aku temperatuur ei ole lubatud töötemperatuuri vahemikus -20 kuni +50 °C** --> aku laetusastme indikaatori kahe astme tuled hakkavad pärast nupule AB ⑦c vajutamist vilkuma; oodake, kuni aku temperatuur on taas lubatud töötemperatuuri vahemikus
  - **Aku on peaaegu tühi (et kaitsta täieliku tühjenemise eest)** --> madal akutase või vilkuv madal akutase ⑦b kuvatakse aku laetusastme indikaatoril, vajutades nupule AB; laadige akut
  - **! Ärge vajutage enam lülile (sisse/välja), kui tööriist on end automaatselt välja lülitanud, sest see võib akut kahjustada.**
- Saetera AA paigaldamine ②
  - **! eemaldage aku tööriistast**
  - Võtke kuuskantvõti A hoidikust B välja
  - Vajutage spindlielukustusnuppu C ja hoidke seda all, kuni eemaldate poldi D, keerates kuuskantvõti A

**PÄRIPÄEVA** (= samas suunas nagu näitab saeterale trükitud nool)

**! spindlilukustusnupule C tohib vajutada ainult siis, kui seade on täielikult seiskunud**

- Vabastage spindlilukustusnupp C
- Eemaldage äärik E

**! veenduge, et äärikute kinnituspinnad H on täiesti puhtad ja suunatud tera poole**

- Avage alumine kaitse F hoova G abil ja hoidke seda avatuna; samal ajal paigutage saeketas, jälgides, et saeketta hammaste ja kettal oleva noole suund ühtiksid alumisel kettakaitsele oleva noole suunaga
- Vabastage alumine kaitse F
- Paigaldusaärik E
- Vajutage spindlilukustusnupule C ja hoidke seda all, samal ajal pingutage polti D kuuskantvõtmega A 1/8 pöörde ulatuses (tagab saeketta libisemise kokkupuutel suure takistusega, vähendades mootori ülekoormust ja sae tagasilööki)

- Vabastage spindlilukustusnupp C

- Lõikesügavuse reguleerimine (0–57 mm) <sup>⑨</sup>

- vabastage nupp K
- tõstke/langetage alusplaati J, kuni soovitud lõikesügavus on lõikesügavuse indikaatori L abil skaalal seatud
- pingutage nuppu K
- Optimaalse lõikekvaliteedi tagamiseks ei tohiks saeketas ulatuda tooriku alt välja rohkem kui ühe hamba jagu

- Lõikenurga reguleerimine (0–45°) <sup>⑩</sup>

- vabastage nupp M
- kallutage tööriista, kuni soovitud lõikenurk on lõikenurga indikaatori N abil skaalal seatud
- pingutage nuppu M

**! diagonaalilõike puhul ei vasta lõikesügavuse skaalal näidatud väärtus tegelikule lõikesügavusele**

- Juhtkiil P <sup>⑪</sup>

- tööriista täpseks juhtimiseks mõõda töödeldavale esemele märgitud lõikejoont
- 0° all tehtava otselõike või 45° all tehtava kaldlõike puhul kasutage vastavaid näitjooni

**! suurem osa alusplaadist peaks asuma töödeldava eseme toetatud osal**

**! lõikelaiuse määrab saehammaste laius, aga mitte saeketta paksus**

**! tehke alati kõigepealt proovilõige, et kontrollida tegelikku lõikejoont**

- Tolmu eemaldamine <sup>⑫</sup>

Kinnitage tolmuimeja adapter R Philipsi ristpeaga kruviga tolmuimemisporti Q

Tolmuimeja kasutamisel

- Ühendage tolmuimeja voolik tolmuimeja adapteriga R

**! jälgige, et tolmuimeja voolik ei tõkestaks kunagi alumise kaitse F funktsioneerimist ega takistaks saagimistööd**

Tolmukott

- paigaldage tolmuikott AC \*EI KUULU STANDARDKOMPLEKTI

- Seadme kasutamine

- patarei paigaldamine

- hoidke tagumist käepidet S alati kindlalt ühe käega ja eesmist käepidet T kindlalt teise käega

- asetage tööriist alusplaadi esiservaga tasaselt toorikule  
**! veenduge, et saeketta hambad ei ole toorikusse haakunud**

- lülitage tööriist sisse, vajutades esmalt ohulülitit W ja seejärel tömmates päästikülütit V

**! enne saeketta viimist töödeldavas materjali peab saag saavutama täiskiiruse**

- Alumine kaitse F avaneb automaatselt, kui saeketas viiakse töödeldavas materjali (avage alumine kettakaitse käsitsi ainult eriliste lõigete nagu sukelduslõigete/süvislõigete korral; selleks kasutage hooba G)

**! ärge koormake tööriista üle (jälgige, et surve oleks kerge ja pidev, et vältida lõiketera otste ülekuumenemist)**

- Pärast lõike lõpetamist lülitage tööriist välja, vabastades päästiku V

**! enne tööriista eemaldamist toorikust veenduge, et tera on täielikult seiskunud**

## TÖÖJUHISED

- Asetage tooriku ilusam pool alati allapoole, et vältida pilbastumist.
- Kasutage ainult õiget tüüpi teravaid saeterasid <sup>⑬</sup>
  - Lõikekvaliteet paraneb vastavalt hammaste arvule
  - Karbiidist otstega terad püsivad teravana kuni 30 korda kauem kui tavalised terad
- Järkamine/lõhestamine <sup>⑭</sup>
  - Järkamine ja lõhestamine on paralleeljuhiku Y abil lihtsam.
  - joondage juhik 0° alusel oleva lõikejoone indikaatoriga P
  - sisestage paralleeljuhik Y läbi jalgade mõlemas küljes olevate avade soovitud laiuseni ja kinnitage nupuga Z
- ! veenduge, et kelk ei takista alumise kaitse ja saetera vaba liikumist**
- Süvendlõikus <sup>⑮</sup>
  - Määrake kindlaks soovitud lõikesügavus
  - kallutage tööriista ettepoole, nii et juhtkiil P oleks töödeldavale esemele märgitud lõikejoonega kohakuti
  - Avage alumine kaitse F hoova G abil
  - Veidi enne saeketta sisenemist materjali lülitage tööriist sisse ning langetage aeglaselt tööriista sirge puulist kasutades toetuspunkti alusplaadi esiserva
  - Langetage tööriista vähehaaval ja lükake samal ajal ettepoole
  - Niipea kui saeketas siseneb materjali, vabastage hoob G
- ! ärge kunagi tõmmake tööriista tagasisuunas**
- Suurte plaatide lõikamine <sup>⑯</sup>
  - toetage plaat lõikejoone lähedalt põrandale, lauale või tööpingile
- ! reguleerige lõikesügavus selliselt, et te saete läbi plaadi, kuid ei kahjusta tugesid**
  - kui paralleeljuhikuga ei ole võimalik soovitud laiuses saagida, kinnitage või naelutage toorikule (pitskruidude või naelte abil) sae juhtimist hõlbustav sirge puulist ning juhtige saagi alusplaadi parema äärega mõõda seda juhikut <sup>⑰</sup>
- Lõikamine juhtsiiniga <sup>⑰</sup>
  - \*EI KUULU STANDARDKOMPLEKTI
  - Juhtsiinide kasutamine võimaldab täpseid, sirgeid ja veatuid lõikeid, nii 45° kui 90° kalde juures. Enne esimese juhtsiiniga lõikuse tegemist tuleb

kummiriba kohandada kasutatavale ketassaagile.

- sirge 90°-löike puhul joondage siini 90° kaldkülg AD (või 45° kaldlõikuse puhul 45° kaldkülg) soovitud löikejoonega, mis on märgitud töödeldavale detailile.
  - kinnitage juhtsiin AD kindlalt detaili külge, kasutades juhtsiiniklambreid AE 18\* EI SISALDU STANDARDVARUSTUSES
  - libistage saag juhtsiinile AD, veenduge, et saag saaks siinil vabalt ja ilma külgsuunas kõikumiseta libiseda.
  - lõikesügavuse seadistamisel ärge unustage arvestada juhtsiini AD paksust
  - juhtige saag ühtlaselt ja aeglase etteande kiirusega läbi juhtsiini AD otsa
- Lisateavet lugege aadressilt [www.skil.com](http://www.skil.com)

## HOOLDUS/TEENINDUS

- Masin pole mõeldud professionaalseks kasutamiseks.
- Hoidke tööriist alati puhtana.
- **! enne puhastamist eemaldage tööriistast aku**
- Hoidke alati alumise kettakaitse ümbrus F 2 puhtana (eemaldage tolm ja puru suruõhuga puhudes või harjaga).
- Puhastage saeketas kohe pärast kasutamist (eelkõige vaigu- ja liimijääkidest).
- Tööriist on hoolikalt valmistatud ja testitud. Kui tööriist sellest hoolimata rikki läheb, tuleb see lasta parandada SKILi elektriliste käsitööriistade volitatud remonditöökojas.
  - toimetage lahtimonteerimata tööriist koos ostukviitungiga edasimüüjale või lähimasse SKILi lepingulisse töökotta (aadressid ja tööriista varuosade joonise leiata aadressil [www.skil.com](http://www.skil.com))
- Arvestage sellega, et garantii ei hõlma seadme ülekoormamisest või ebaõigest käsitsemisest tulenevaid kahjustusi (teavet SKILi garantitingimuste kohta vaadake veebilehelt [www.skil.com](http://www.skil.com) või küsige kohalikult müügiesindajalt).

## KESKKOND

Ainult ELi riikide jaoks

- **Ärge visake kasutuskõlblatuks muutunud elektritööriistu, lisatarvikuid ja pakendeid ära koos olmejäätmetega**
- Vastavalt Euroopa Parlamendi ja nõukogu direktiivile 2012/19/EÜ elektri- ja elektroonikaseadmete jäätmete kohta ning direktiivi nõuete kohaldamisele liikmesriikides tuleb kasutuskõlblatuks muutunud elektrilised tööriistad koguda eraldi ja keskkonnasäästlikult korduvkasutada või ringlusse võtta.
- Kõrvaldamisvajaduse tekkimisel meenutab seda teile sümbol 6.
- **! enne aku kahjutustamist katke selle otsad kaitseks tugeva teibiga, et vältida lühisahela teket**

## MÜRA / VIBRATSIOON

- Standardi EN 62841 kohaselt mõõdetud tööriista helirõhu tase on 94 dB(A) ja helivõimsuse tase on 102 dB(A) (määramatus K = 3 dB) ning vibratsioon <math> < 2,5 \text{ m/s}^2 </math> (triaksaalvektorige summa; määramatus K = 1,5 m/s<sup>2</sup>)
- Tekkiva vibratsiooni tase on mõõdetud vastavalt standardis EN 62841 kirjeldatud standarditud testile;

seada võib kasutada tööriistade võrdlemiseks ja tööriista kasutamisel ettenähtud töödeks esineva vibratsiooni esialgseks hindamiseks

- Tööriista kasutamisel muudeks rakendusteks või teiste / halvasti hooldatud tarvikute kasutamisel võib vibratsioon märkimisväärselt **suurened**a.
  - Ajal, kui tööriist on väljaülitatud või on küll sisselülitatud, kuid tegelikult seda ei kasutata, võib vibratsioon märkimisväärselt **vähened**a.
- ! enda kaitsemiseks vibratsiooni eest hoolidage tööriista ja selle tarvikuid korralikult, hoidke oma käed soojad ja tagage sujuv töökorraldus**

LV

## Bezkontaktu ripzāģis

3551

### IEVADS

- Šis instruments ir paredzēts garenvirziena un šķērsvirziena kokmateriālu zāģēšanai taisnā līnijā, kā arī zāģēšanai leņķī līdz 45°.
- Šī iekārta nav paredzēta profesionālai lietošanai.
- Izlasiet un saglabājiet šo pamācību 3

### TEHNISKIE DATI 1

### INSTRUMENTA ELEMENTI 2

- A** Sešstūra atslēga
  - B** Nodalījums sešstūra atslēgas glabāšanai
  - C** Darbvārpstas fiksācijas poga
  - D** Bultskrūve
  - E** Atloks
  - F** Apakšējais aizsargs
  - G** Apakšējā aizsarga atvēršanas svira
  - H** Noturvirsma
  - J** Pamatnes plāksne
  - K** Poga griezuma dziļuma iestatīšanai
  - L** Zāģēšanas dziļuma indikators
  - M** Zāģēšanas leņķa regulēšanas spārnskrūve
  - N** Zāģēšanas leņķa indikators
  - P** Zāģējuma līnijas indikators
  - Q** Putekļu nosūcšanas atvere
  - R** Putekļsūcēja adapters
  - S** Aizmugurējais rokturis
  - T** Priekšējais rokturis
  - U** Vadotnes sliedes rievā
  - V** Ieslēgšanas slēdzis
  - W** Drošības slēdzis
  - X** LED tīrīšanas disks
  - Y** Paralēlā vadotne
  - Z** Paralēlās vadotnes regulēšanas skrūve
  - AA** Zāģripa
  - AB** AAKumulātoru uzlādes līmeņa indikators
  - AC** APutekļu maisiņš\*
  - AD** AVadotnes sliede\*
  - AE** AVadotnes sliedes skava\*
- \* NAV STANDARTA KOMPLEKTĀCIJĀ

## DROŠĪBA

VISPĀRĪGI DROŠĪBAS BRĪDINĀJUMI ATTIECĪBĀ UZ MAŠĪNĀM

**⚠ BRĪDINĀJUMS!** Izlasiet visus ar šo elektroinstrumentu saistītos drošības brīdinājumus, norādījumus, specifikācijas un aplūkojiet attēlus. Visu turpmāk uzskaitīto norādījumu neievērošana var izraisīt elektriskās strāvas triecienu, aizdegšanos un/vai nopietnas traumas.

**Saglabājiet visus brīdinājumus un instrukcijas turpmākai atsaucēi.**

Brīdinājumos lietotais termins „elektroinstruments” attiecas uz elektriski darbināmu instrumentu, kura barošanu nodrošina elektrotīkls (ar elektrokabeli) vai akumulators (bez elektrokabeļa).

#### 1) DROŠĪBA DARBA ZONĀ

- a) **Uzturiet darba zonu tīru un labi apgaismotu.** Nesakārtotā un slikti apgaismotā darba zonā var notikt nelaimes gadījumi.
- b) **Nedarbiniet elektroinstrumentu sprādzienbīstamā vidē, piemēram, viegli uzliesmojošu šķidrumu, gāzu vai putekļu klātbūtnē.** Elektroinstrumenti rada dzirksteles, kas var aizdedzināt putekļus vai izgarojumu tvaikus.
- c) **Neļaujiet bērniem un klātesošajiem atrasties elektroinstrumenta tuvumā, kamēr tas darbojas.** Apjukuma brīdī jūs varat zaudēt vadību pār iekārtu.

#### 2) ELEKTRODROŠĪBA

- a) **Elektroinstrumenta kontaktdakšai jāsakrīt ar kontaktrozeti. Nekad nekādā veidā nepārveidojiet kontaktdakšu.** Neizmantojiet adaptera kontaktdakšas kopā ar iezemētiem elektroinstrumentiem. Lietojot nepārveidotās kontaktdakšas un atbilstošas kontaktlīdzdas tiek samazināts elektriskās strāvas trieciena risks.
  - b) **Nepieskarieties saņemām virsmām, piemēram caurulvadiem, radiatoriem, plītiem un ledusskapjiem.** Saņemējoties Jūs palielināt elektriskās strāvas trieciena risku.
  - c) **Sargājiet elektroinstrumentus no lietus vai mitruma.** Mitruma iekļūšana elektroinstrumentā palielina elektriskās strāvas trieciena risku.
  - d) **Nebojājiet strāvas vadu. Nekad nelietojiet strāvas vadu elektroinstrumenta pārnēsāšanai, vilkšanai vai kontaktdakšas izvilksšanai no kontaktlīdzdas.** Sargājiet strāvas vadu no karstuma, eļļas, asām malām vai kustīgām daļām. Bojāti vai sapinušies strāvas vadi palielina elektriskās strāvas trieciena risku.
  - e) **Strādājot ar elektroinstrumentu ārpus telpām, nodrošiniet, lai arī izmantotie vadu pagarinātāji būtu piemēroti āra darbiem.** Āra darbiem paredzēta vadu pagarinātāja izmantošana samazina elektriskās strāvas trieciena risku.
  - f) **Ja nav iespējams izvairīties no elektroinstrumenta darbināšanas mitrā vietā, izmantojiet barošanas sistēmu, kas aizsargāta ar noplūdes strāvas aizsardzības ierīcēm (RCD).** Noplūdes strāvas aizsardzības ierīču izmantošana samazina elektriskās strāvas trieciena risku.
- #### 3) PERSONĪGĀ DROŠĪBA
- a) **Darbinot elektroinstrumentu, esiet modri, pievērsiet uzmanību tam, ko jūs darāt, un rīkojieties ar to saprātīgi. Nelietojiet elektroinstrumentu, ja**

esat noguruši vai atrodaties apreibinošu vielu, alkohola vai medikamentu ietekmē. Pat viens mirklis neuzmanības elektroinstrumenta lietošanas laikā var kļūt par cēloni nopietnām traumām.

- b) **Izmantojiet individuālos aizsarglīdzekļus. Vienmēr valkājiet acu aizsarglīdzekļus.** Ja tiek lietots darba specifikai atbilstošs aizsargaprīkojums, piemēram, maska ar putekļu filtru, neslīdoši darba apavi, ķivere vai austiņas, samazinās traumu gūšanas risks.
  - c) **Novērsiet nejausās ieslēgšanās iespējamību. Pirms iekārtas pievienošanas strāvas avotam un/vai akumulatoru blokam pārliecinieties, vai slēdzis atrodas izslēgtā stāvoklī.** Pārnēsājot elektroinstrumentu ar pirkstu uz slēdža vai iedarbinot elektroinstrumentu, kas jau ir ieslēgtā stāvoklī, var notikt nelaimes gadījums.
  - d) **Pirms elektroinstrumenta ieslēgšanas izņemiet visas noregulēšanas vai uzgriežņu atslēgas.** Regulēšanas instruments vai atslēga, kas palikusi elektroinstrumenta rotējošās daļās, var izraisīt traumas.
  - e) **Nepārvērtējiet savas spējas. Ieņemiet pareizu stāju un vienmēr saglabājiet līdzsvaru.** Tādējādi jūs varēsiet labāk apvaldīt elektroinstrumentu negaidītās situācijās.
  - f) **Valkājiet atbilstošu apģērbu. Nevalkājiet vaļīgu apģērbu vai rotaslietas. Sargājiet matus, apģērbu un cimdus no kustīgajām daļām.** Vaļīgs apģērbs, rotaslietas vai garī mati var iekerties instrumenta kustīgajās daļās.
  - g) **Ja iekārtas ir paredzētas savienošanai ar putekļu nosūkšanas un savākšanas iekārtām, pārliecinieties, vai tās ir pieslēgtas un tiek izmantotas pareizi.** Putekļu savākšanas ierīču izmantošana var samazināt ar putekļiem saistītos apdraudējumus.
  - h) **Nepieļaujiet, ka iekārtas bieža lietošana varētu izraisīt nevērīgu attieksmi darbā ar to, un neignorējiet ar iekārtas lietošanu saistītos drošības principus.** Viens brīdis neuzmanības var izraisīt nopietnas traumas.
- #### 4) ELEKTROINSTRUMENTA LIETOŠANA UN APKOPE
- a) **Nespiediet elektroinstrumentu ar spēku.** Lietojiet attiecīgajam darbam piemērotāko elektroinstrumentu. Piemērots elektroinstruments labāk un drošāk spēs izpildīt veicamo darbu, darbojoties tam paredzētajā ātrumā.
  - b) **Nelietojiet elektroinstrumentu, ja to nav iespējams ieslēgt un izslēgt ar slēdzi.** Ja elektroinstrumentu nav iespējams ieslēgt un izslēgt ar slēdzi, tas ir bīstams, tāpēc nekavējoties jāsaslabo.
  - c) **Pirms jebkādu pielāgojumu veikšanas, piederumu maiņas vai elektroinstrumenta novietošanas glabāšanā atvienojiet kontaktdakšu no barošanas avota un/vai izņemiet no elektroinstrumenta akumulatoru bloku, ja to var izdarīt.** Šādi piesardzības pasākumi palīdzēs novērst nejausu elektroinstrumenta ieslēgšanu.
  - d) **Ja elektroinstrumenti kādu laiku netiek lietoti, uzglabājiet tos bērniem nepieejamā vietā un neļaujiet ar elektroinstrumentu darboties personām, kas instrumentu nepārzina vai nav izlasījušas šīs instrukcijas.** Nemākulīgās rokās nonākuši elektroinstrumenti ir potenciāls briesmu avots.
  - e) **Veiciet elektroinstrumentam un piederumiem**

apkopi. Pārbaudiet, vai ir pareizi uzstādītas kustīgās daļas un vai tās neķeras, un vai elektroinstrumenta daļām nav bojājumu, kas var negatīvi ietekmēt tā darbību. Bojāts elektroinstrumentis ir jāsalabo pirms nākamās lietošanas reizes. Daudzu negadījumu cēlonis ir sliktā stāvoklī esošu elektroinstrumentu izmantošana.

- f) **Griezējinstrumentiem jābūt asiem un tīriem.** Rūpīgi kopti griezējinstrumenti retāk iestrēgst un ir vieglāk vadāmi.
- g) **Lietojiet elektroinstrumentu, tā piederumus un maināmos instrumentus, kā arī citus saistītos elementus atbilstoši šiem norādījumiem, ņemot vērā darba apstākļus un veicamo uzdevumu.** Elektroinstrumenta lietošana neparedzētiem mērķiem var radīt bīstamu situāciju.
- h) **Rokturiem un satveršanas daļām jābūt sausiem, tīriem un uz tiem nedrīkst būt eļļa vai smērviela.** Ja rokturi un satveršanas daļas ir mitras, tās slīdēs, un ar instrumentu vairs nebūs droši strādāt, kā arī apvaldīt neparedzētu apstākļu gadījumos.
- 5) **AKUMULATORA LIETOŠANA UN APKOPE**
  - a) **Uzlādējiet iekārtu tikai ar ražotāja noteikto lādētāju.** Lādētājs, kas paredzēts lietošanai tikai ar viena veida akumulatoru bloku, var radīt aizdegšanās draudus, ja to izmanto kopā ar citu akumulatoru bloku.
  - b) **Lietojiet elektroinstrumentus kopā tikai ar tiem paredzētiem akumulatoru blokiem.** Jebkura cita akumulatoru bloka lietošana var radīt traumu gūšanas un aizdegšanās risku.
  - c) **Kad akumulatoru bloks netiek izmantots, neglabājiet to citu metāla priekšmetu, piemēram, papīra saspaužu, monētu, atslēgu, naglu, skrūvju vai citu sīku metāla priekšmetu, kas var veidot savienojumu starp spailēm, tuvumā.** Akumulatora spaiļu īsslēgums var izraisīt aizdegšanos vai ugunsgrēku.
  - d) **Nepareizas rīcības gadījumā no akumulatora var iztecēt šķidrums; izvairieties no saskares ar to.** Ja tas nejauši nokļuvis uz ādas, noskalojiet ar ūdeni. Ja šķidrums iekļuvis acīs, nekavējoties meklējiet medicīnisko palīdzību. No akumulatora izkļuvušais šķidrums var izraisīt kairinājumu vai apdegumus.
  - e) **Nelietojiet bojātu vai pārveidotu akumulatoru bloku vai instrumentu.** Bojātu vai pārveidotu akumulatoru izmantošana var radīt neparedzamus apstākļus, kas rada aizdegšanās, sprādziena vai traumas gūšanas draudus.
  - f) **Nepakļaujiet akumulatoru bloku vai instrumentu uguns liesmu vai pārmērīgas temperatūras iedarībai.** Uguns liesmu iedarbība vai temperatūra virs 130 °C var izraisīt sprādzieni.
  - g) **Izpildiet visas uzlādēšanas instrukcijas un neuzlādējiet akumulatoru bloku vai instrumentu ārpus instrukcijās norādītajām temperatūras vērtībām.** Ja iekārta tiek uzlādēta nepareizi vai tiek pārsniegtas instrukcijās norādītās uzlādēšanas temperatūras vērtības, akumulators var sabojāties un palielināt aizdegšanās risku.
- 6) **SERVISS**
  - a) **Elektroinstrumenta remontdarbus drīkst veikt tikai kvalificēts speciālists, izmantojot tikai oriģinālās rezerves daļas.** Tādējādi tiks garantēts elektroinstrumenta lietošanas drošums.
  - b) **Nekad neveiciet bojātam akumulatoru blokam**

remontdarbus pašrocīgi. Bojāta akumulatoru bloka remontdarbus drīkst veikt tikai ražotājs vai pilnvaroti servisa darbinieki.

## BEZKONTAKTU RIPZĀGA DROŠAS LIETOŠANAS NORĀDĪJUMI

### DROŠĪBAS NORĀDĪJUMI, KAS JĀIEVĒRO, STRĀDĀJOT AR JEBKURU ZĀĢI

- a) **⚠ BĪSTAMI!** Turiet rokas drošā attālumā no zāģa darbības zonas un zāģripas. Otru roku novietojiet uz instrumenta palīgroktura vai motora korpusa. Turot ripzāģi ar abām rokām, pasargāsiet sevi no zāģripas radītiem savainojumiem.
- b) **Nepieskarieties ar rokām apstrādājamā materiāla apakšējai daļai.** Zāģa aizsargs nevar nodrošināt aizsardzību no zāģripas radītiem savainojumiem apstrādājamā materiāla apakšpusē.
- c) **Noregulējiet zāģēšanas dziļumu atbilstoši zāģējamā materiāla biežumam.** Apstrādājamā materiāla apakšpusē redzamās zāģa asmens zobu daļas augstumam jābūt mazākam par pilnu asmens zobu augstumu.
- d) **Zāģēšanas laikā nekad neturiet zāģējamo materiālu rokās un neatbilstiet to pret kāju.** Nostipriniet apstrādājamo materiālu uz stabilas virsmas. Lai mazinātu savainojumu gūšanas risku, zāģripas iestrēgšanu, kā arī lai nezaudētu vadību pār instrumentu, ir svarīgi pareizi atbalstīt apstrādājamo materiālu.
- e) **Ja zāģēšanas laikā pastāv iespēja elektroinstrumentam skart kādu aplēptu elektropārvades līniju, turiet zāģi tikai aiz tā izolētās satveršanas virsmas.** Ar spriegumam pieslēgtu vadu saskarē nonācis elektroinstrumentis var radīt spriegumu elektroinstrumenta atklātajās metāla daļās un pakļaut operatoru elektriskās strāvas triecienam.
- f) **Veicot garenzāģēšanu, lietojiet paralēlo vadotni vai izmantojiet priekšmeta taisno malu kā vadotni.** Tas palielina zāģēšanas precizitāti un samazina zāģa asmens iestrēgšanas iespējamību.
- g) **Vienmēr lietojiet zāģripas ar pareizo centrālās atveres izmēru un formu (rombeida vai apaļu).** Zāģripas, kuru centrālā atvere neatbilst zāģa darbārpstas noturvīrsmai, rotē ekscentriski, traucējot instrumenta normālu vadību.
- h) **Nekad neizmantojiet nolietotas vai bojātas zāģripu starplikas vai bultskrūves.** Ripu starplikas un bultskrūves ir speciāli paredzētas konkrētā zāģa ripām, lai nodrošinātu optimālu darba kvalitāti un drošību.

### PAPILDU DROŠĪBAS NORĀDĪJUMI, KAS JĀIEVĒRO, STRĀDĀJOT AR JEBKURU ZĀĢI

#### ATSITIENA CĒLOŅI UN AR TO SAISTĪTIE BRĪDINĀJUMI

- atsitieni ir pēkšņa zāģa reakcija uz iesprūdušu vai aizķērušos asmeni apstrādājamajā materiālā vai novirzoties no zāģējuma līnijas, izraisot nekontrolētu zāģa pacelšanos no zāģējamā materiāla virzienā pret operatoru;
- ja zāģējuma šķēlumam aizveroties asmens tiek saspīests vai iespiests, tas var apstāties, kā rezultātā zāģa motora reakcijas dēļ instruments strauji



pārvietojas operatora virzienā;

- ja asmens zāgējuma šķēlumā sašķiebjas vai novirzās no zāgējuma līnijas, zāga asmens aizmugurējās malas zobi var iestrēgt zāgējamā kokmateriāla virskārātā, liekot asmenim izrautes no zāgējuma vietas un pārvietoties operatora virzienā.

Atsitiens rodas zāga nepareizas lietošanas un/vai zāgēšanas pamatpaņēmieni pielietošanas vai neatbilstošu apstākļu dēļ, un no tā var izvairīties, ievērojot tālāk norādītos piesardzības pasākumus.

- Stingri turiet ripzāģi ar abām rokām, satverot to tādā veidā, lai izturētu atsitienu spēka iedarbību. Tāpat jūs nedrīkstat atstāties uz vienas līnijas ar zāģripu — stāviet vienā vai otrā pusē no zāģripas.** Atsitiens var izraisīt zāga atlēkšanu atpakaļ, tomēr operators var pārvaldīt atsitienu spēku, ja norādītie pasākumi tiek veikti pareizi.
- Ja zāģripa iestrēgst vai arī zāgēšana tiek pārtraukta kādu citu iemeslu dēļ, atlaidiet zāga slēdzi un turpiniet turēt instrumentu nekustīgi zāgējamajā materiālā, līdz pilnībā apstājas zāģripa. Nekādā gadījumā nemēģiniet izņemt zāģi no zāgējamajā materiālā un nevelciet zāģi atpakaļ, kamēr zāga asmens vēl atrodas kustībā, jo tas var izraisīt atsitienu.** Nosakiet zāga asmens iestrēgšanas iemeslus un veiciet pasākumus to novēršanai.
- Atkārtoti ieslēdzot zāģi laikā, kad tā asmens atrodas apstrādājamajā materiālā, centieties turēt asmeni zāgējuma šķēluma vidū un pārbaudiet, vai tā zobi nav iespedušies zāgējamajā materiālā.** Ja zāga asmens iestrēgst, tad, ieslēdzot ripzāģi, tā asmens var strauji pārvietoties augšup no apstrādājamā materiāla vai arī radīt atsitienu.
- Lai izvairītos no zāga asmens iestrēgšanas un atsitienu, zāģējot liela izmēra paneļus, tie ir jāatbalsta.** Liela izmēra paneļi zem sava svara mēdz ieliekties. Balsti jānovieto paneļa abos sānos tuvu zāgējuma līnijai un pie paneļa malas.
- Neizmantojiet neasus vai bojātus asmeņus.** Neuzasināti vai nepareizi iestiprināti asmeņi veido šauru zāgējuma šķēlumu, kas var izsaukt pastiprinātu berzi, asmens iestrēgšanu un zāga atsitienu.
- Pirms zāgēšanas uzsākšanas stingri pievelciet zāgēšanas dziļuma un zāgēšanas leņķa iestādījumu fiksejošās pogas.** Ja zāgēšanas laikā zāģripas stāvokļa iestādījumi izmainās, tas var izraisīt ripas iestrēgšanu un zāga atsitienu.
- Ievērojiet īpašu piesardzību, veicot zāgēšanu sienās vai citās slēgtās virsmās.** Izvirzītā ripa var pārgriezt neredzamus priekšmetus, izraisot zāga atsitienu.

#### APAKŠĒJĀ AIZSARGA FUNKCIJA

- Katru reizi pirms darba uzsākšanas pārbaudiet, vai zāga apakšējais aizsargs pilnībā aizveras. Nestrādājiet ar zāģi, ja tā apakšējais aizsargs nespēj brīvi pārvietoties un neaizveras uzreiz. Nemēģiniet nofiksēt zāga apakšējo aizsargu atvērtā stāvoklī.** Ja zāģis nejausi nokrīt, apakšējais aizsargs var saliekties. Šādā gadījumā ar speciālu ievēlošā roktura palīdzību paceliet asmens apakšējo aizsargu un pārbaudiet, vai tas spēj brīvi pārvietoties un neskar asmeni vai kādu citu instrumenta daļu; pārbaude jāveic pie visiem zāgēšanas dziļuma un leņķa iestādījumiem.
- Pārbaudiet apakšējā aizsarga atsperes darbību. Ja**

**aizsargs vai tā atspere nedarbojas pareizi, pirms darba uzsākšanas jāveic to apkope.** Zāga apakšējā aizsarga brīva pārvietošanās var tikt traucēta kāda bojājuma, gumijas nosēdumu vai sakrājušos netīrumu dēļ.

- Apakšējo aizsargu drīkst atvērt ar rokām tikai tad, kad tiek veikti tādi speciālie zāģējumi, kā zāgēšana ar asmens iegremdēšanu vai salikto zāģējumu veidošana. Šādos gadījumos ar ievēlošā roktura palīdzību atveriet asmens apakšējo aizsargu un, asmenim ieejot apstrādājamajā materiālā, tūlīt to nolaidiet.** Veicot visus pārējos zāģējumus, asmens apakšējam aizsargam jādarbojas automātiski.
- Pirms zāga novietošanas uz darbgalda vai grīdas raugiet, lai asmens aizsargs nosegtu asmeni.** Nenosegts asmens, kas pēc inerces vēl rotē, var likt zāģim pārvietoties atpakaļvirzienā, sagriežot visu, kas gadās tam ceļā. Neaizmirstiet, ka pēc slēdža atlaišanas zāģripa vēl kādu laiku turpina rotēt.

#### VISPĀRĒJĀ INFORMĀCIJA

- Šo instrumentu nedrīkst izmantot personas, kas jaunākas par 16 gadiem.
- Šis instruments nav paredzēts mitru priekšmetu zāgēšanai.
- **Neapstrādājiet materiālus, kas satur azbestu** (azbestam piemīt kancerogēnas īpašības).
- Materiāla, piemēram svīnu saturošas krāsas, dažu koka šķirņu, minerālu un metāla, putekļi var būt kaitīgi (saskare ar putekļiem vai to ieelpošana var izraisīt alerģiskas reakcijas un/vai elpošanas ceļu saslimšanas operatoram vai klātesošajiem); **izmantojiet putekļu masku un putekļsūcēju, ja to iespējams pievienot.**
- Dažu veidu putekļi ir klasificēti kā kancerogēni (piemēram, ozola vai dižskābarža putekļi), jo īpaši apvienojumā ar koksnes kondicionēšanas piedevām; **izmantojiet putekļu masku un putekļsūcēju, ja to iespējams pievienot.**
- Ievērojiet ar putekļu savākšanu saistītos nacionālos noteikumus, kas attiecas uz apstrādājamajiem materiāliem.
- Neizmantojiet šo zāģi kopā ar zāgēšanas galdū.
- Pirms instrumenta regulēšanas vai piederumu nomaiņas izņemiet no instrumenta akumulatoru.

#### PIEDERUMI

- Firma SKIL garantē instrumenta nevainojamu darbību tikai tad, ja tiek lietoti oriģinālie papildpiederumi.
- Lietojiet tikai tādus darbinstrumentus, kuru pielājamais darbības ātrums ir vismaz tikpat liels, kā instrumenta maksimālais brīvgaitas ātrums.
- Izmantojiet tikai tādus zāga asmeņus, kas atbilst šajā lietošanas instrukcijā norādītajiem īpašību datiem un ir pārbaudīti un marķēti saskaņā ar EN 847-1 standartu.
- Izmantojiet tikai zāga asmeņus, kuru diametrs ir 165 mm un vārpstas atvere ir 16 mm.
- Nekad neizmantojiet šim instrumentam slīpripas vai griezējripas.

#### PIRMS DARBA UZSĀKŠANAS

- Izvairieties no instrumenta bojājumiem, ko var radīt apstrādājamajā priekšmetā esošās skrūves, naglas vai citi līdzīgi priekšmeti; pirms darba uzsākšanas atbrīvojiet apstrādājamo materiālu no šādiem priekšmetiem.
- Pirms zāgēšanas nodrošiniet, lai zāgējuma trase no abām zāgējamā priekšmeta pusēm tiktu atbrīvota no jebkāda veida šķēršļiem.
- **Nostipriniet apstrādājamo detaļu** (to ir drošāk

nostiprināt ar spailēm vai skrūvspilēm, nevis turēt rokā).

- **Ar piemērota metālmeklētāja palīdzību pārbaudiet, vai apstrādes vietu nešķērso slēptas elektropārvades līnijas, kā arī gāzes vai ūdens caurules; šaubu gadījumā griezieties vietējā komunālās saimniecības iestādē** (darbinstrumentam skarot elektrotīkla fāzes līniju, var izcelties ugunsgrēks un strādājošais var saņemt elektrisko triecienu; gāzes vada bojājums var izraisīt sprādzieni; darbinstrumentam skarot ūdensvada cauruli, var tikt bojātas materiālās vērtības un strādājošais var saņemt elektrisko triecienu).

#### DARBA LAIKĀ

- Darba laikā instrumenta radītā trokšņa līmenis var pārsniegt 85 dB(A); lietojiet ausu aizsargus.
- Nelietojiet ripzāģi, ja uz tā nav nostiprināti visi paredzētie ripas aizsargi.
- Nezāģējiet ļoti mazus priekšmetus.
- Nestrādājiet ar ripzāģi, turot to virs galvas.
- Iestrēgšanas, kā arī elektriska vai mehāniska rakstura kļūmes gadījumā nekavējoties izslēdziet instrumentu un izņemiet akumulatoru.

#### PĒC LIETOŠANAS

- Pirms instrumenta novietošanas izslēdziet tā elektrodzinēju un nogaidiet, līdz ir pilnīgi apstājušās visas instrumenta kustīgās daļas.
- Pēc ripzāģa izslēgšanas nemēģiniet nobremzēt zāģripu, izdarot uz to spiedienu sānu virzienā.

#### AKUMULATORI

- **Komplektā iekļautais akumulators, ja tāds ir, nav pilnībā uzlādēts** (lai akumulators spētu nodrošināt pilnu jaudu, pirms elektroiekārtas pirmās lietošanas reizes akumulators ir jāuzlādē pilnībā)
- **Izmantojiet tikai instrumenta piegādes komplektā ietilpstošos akumulatorus un uzlādes ierīces**
  - SKIL akumulators: BR1\*31\*\*\*\*
  - SKIL uzlādes ierīce: CR1\*31\*\*\*\*
- Nelietojiet bojātu akumulatoru; tas nekavējoties jānomaina.
- Neizjauciet akumulatoru.
- Neatstājiet instrumentu/akumulatoru lietū.
- Pieļaujamā apkārtējā gaisa temperatūra (instruments/lādētājs/akumulators):
  - uzlādes laikā 4...40 °C
  - darbības laikā -20...+50 °C
  - uzglabāšanas laikā -20...+50 °C

#### UZ INSTRUMENTA ATTĒLOTO SIMBOLU SKAIDROJUMS

- ③ Pirms ekspluatācijas izlasiet instrukciju rokasgrāmatu
- ④ Ja akumulators tiks dedzināts, tas eksplodēs, tāpēc nekādā gadījumā to nededziniet
- ⑤ Uzglabājiet instrumentu/lādētāju/akumulatoru vietā, kur temperatūra nepārsniedz 50 °C
- ⑥ Neizmetiet elektroiekārtas un baterijas kopā ar sadzīves atkritumiem

#### LIETOŠANA

- Akumulatora uzlādēšana  
**! Izlasiet lādētāja komplektā iekļautos drošas lietošanas noteikumus un norādījumus**
- Akumulatora izņemšana/uzstādīšana ②
- Akumulatora uzlādes līmeņa indikators ⑦
  - lai noskaidrotu akumulatora uzlādes līmeni ⑦a, nospiediet akumulatora līmeņa rādītāja pogu AB
- ! ja pēc AB ⑦b pogas nospiešanas sāk mirgot akumulatora indikatora apakšējais līmenis, tas**

nozīmē, ka akumulators ir tukšs

**! ja pēc pogas AB ⑦c nospiešanas sāk mirgot 2 akumulatora indikatora līmeņi, tas nozīmē, ka akumulators neatrodas pieļaujamajā darba temperatūras diapazonā**

- Ēnu līnijas LED gaisma ⑧  
Jūsu instruments ir aprīkots ar ēnu līnijas LED gaismu, kas atrodas zem augšējā aizsarga. Tā nodrošina papildu apgaismojumu uz zāģa asmens un sagataves virsmas.  
LED gaisma atvieglo instrumenta vadīšanu pa iepriekš izētimētu zāģējuma līniju uz apstrādājamā priekšmeta.  
**! pirms darba vienmēr veiciet apstrādes mēģinājumu uz materiāla atgruzuma**  
LED gaisma automātiski ieslēgsies, viegli nospiežot sprūda slēdzi. Apgaismojums izslēdzas apmēram 10 sekundes pēc sprūda slēdža atlaišanas.  
**! ja instruments un/vai akumulatora bloks ir pārslogots vai pārkarsis, LED apgaismojums sāks strauji mirgot, un iekšējie sensori liks instrumentam izslēgties. Kādu laiku novietojiet instrumentu un akumulatora bloku atsevišķi vietā ar brīvu gaisa plūsmu, lai tos atdzesētu.**  
**! LED indikators mirgos lēnāk, nodrodot, ka akumulatoru bloka uzlādes līmenis ir zems. Uzlādējiet akumulatoru.**

Augšējā aizsargā iebūvētā LED tīrīšanas ripa X ir paredzēta LED gaismas tīrīšanai. Kad LED gaisma kļūst blāva, jo uz tās ir uzkrājušās zāģu skaidas, pagrieziet skalas LED tīrīšanas ripu X jebkurā virzienā, lai notīrītu zāģu skaidas un LED gaisma atkal degtu spilgtā krāsā.

- Akumulatora aizsardzība  
Ierīce tiek tūlīt izslēgta vai arī to nav iespējams ieslēgt, ja  
- **slodze ir pārāk liela** --> samaziniet slodzi un ieslēdziet to no jauna  
- **akumulatora temperatūra ir ārpus atļautā darba diapazona no -20 līdz +50 °C** --> nospiežot pogu AB ⑦c, sāk mirgot akumulatora 2 līmeņu rādītāja iedaļas; pagaidiet, līdz akumulatora temperatūra atkal ir atļautajā darba diapazonā  
- **akumulators ir gandrīz tukšs (aizsardzībai pret pilnīgu izlādi)** --> nospiežot pogu ⑦b, akumulatora līmeņa rādītājā ir atšēlota zemākā akumulatora līmeņa rādītāja iedaļa vai mirgojoša zemākā akumulatora līmeņa rādītāja iedaļa UB; uzlādējiet akumulatoru  
**! pēc instrumenta automātiskas izslēgšanās nedrīkst spiest tā ieslēdzēju, jo tā var sabojāt akumulatoru**
- Zāģripas uzstādīšana AA ②  
**! izņemiet no instrumenta akumulatoru**  
- Paņemiet no glabātuves B sešstūra atslēgu  
- nospiediet darbvārpstas bloķēšanas pogu C un pieturiet, kamēr izskrūvējiet ripas bultskrūvi D, pagriežot sešstūra atslēgu **PULKSTENRĀDĪTĀJA KUSTĪBAS VIRZIENĀ** (= tajā pašā virzienā, kurā uz zāģripas ir uzdrukāta bultiņa)  
**! nospiediet darbvārpstas bloķēšanas pogu C tikai tad, kad instruments ir apstājies**  
- atlaidiet darbvārpstas bloķēšanas pogu C  
- noņemiet atloku E  
**! pārliecinieties, vai atloku saspiešanas virsmas H ir pilnībā tīras un ir vērstas pret ripu**  
- izmantojot sviru G, atveriet apakšējo ripas aizsargu F un, noturot to atvērto, uzstādiat zāģripu, sekojot, lai

- zāgripas zobu vērsums un uz zāgripas attēlotās bultas virziens sakristu ar bultas virzienu, kas attēlota uz ripzāga ripas apakšējā aizsarga
- atļaidiet apakšējo aizsargu F
- uzstādiat atloku E
- nospiediet darbvārpstas bloķēšanas pogu C un pieturiet ripas skrūves pievilkšanas laikā, pagriežot ar priekšiem sešstūra atslēgu A par 1/8 apgriezienu (nodrošina zāgripas buksēšanu pārmērīgas pretestības gadījumā, tādējādi samazinot motora pārslodzi un zāga atsitieni)
- atļaidiet darbvārpstas bloķēšanas pogu C
- Zāgēšanas dziļuma regulēšana (0 līdz 57 mm) ⑨
  - nedaudz atskrūvējiet skrūvi K
  - paceliet/nolaidiet kāju J līdz vēlamajam zāgēšanas dziļumam atbilstoši indikatora L rādījumiem uz skalas
  - pieskrūvējiet skrūvi K
  - lai nodrošinātu optimālu apstrādes kvalitāti, ripa nedrīkst iziet caur zāgējamo priekšmetu vairāk par vienu zobu zem apstrādājamā materiāla
- Zāgēšanas leņķa regulēšana (0° līdz 45°) ⑩
  - nedaudz atskrūvējiet skrūvi M
  - nolieciet instrumentu sānu virzienā, uzstādiat vēlamo zāgēšanas leņķi atbilstoši indikatora N rādījumiem uz skalas
  - pieskrūvējiet skrūvi M
- ! **veidojot slīpos zāgējumus, zāgēšanas dziļums neatbilst uz zāgēšanas dziļuma skalas nolāsāmajai vērtībai**
- Zāgējuma līnijas indikatora P ⑪
  - kalpo, lai atvieglotu instrumenta vadīšanu pa iepriekš iezīmētu zāgējuma līniju
  - veidojot taisnos zāgējumus 0° leņķī un slīpos zāgējumus 45° leņķī, vadieties pēc atbilstošās indikatora līnijas
- ! **zāgēšanas laikā ripzāga pamatnes paplašinātajai daļai jāatrodas uz zāgējamā priekšmeta atbalstītās daļas**
- ! **zāgējuma platumu nosaka nevis zāga asmens korpusa biezums, bet gan tā zobu izvērsuma platums**
- ! **lai pārbaudītu reālās zāgējuma līnijas atbilstību iepriekš iezīmētajai, pirms darba vienmēr veiciet izmēģinājuma zāgējumus**
- Putekļu uzsūkšana ⑫
  - Pievienojiet putekļu sūcēja adapteri R putekļsūcēja portam Q, izmantojot krustiņveida galvas skrūvi
  - Lai putekļu uzsūkšanai izmantotu putekļsūcēju, rīkojieties šādi
  - savienojiet putekļsūcēja cauruli ar putekļsūcēja adapteru R
- ! **darba laikā vadiet ripzāgi tā, lai putekļsūcēja caurule netraucētu apakšējā ripas aizsarga F pārvietošanos vai zāgēšanas procesu**
- Putekļu maisiņš
  - putekļu maisiņš AC "NAV IEKĻAUTS STANDARTA KOMPLEKTĀCIJĀ"
- Instrumenta darbināšana
  - ievietojiet akumulatoru
  - vienmēr stingri ar vienu roku satveriet rokturi S un ar otru roku stingri satveriet T
  - uzsākot zāgēšanu, novietojiet instrumenta pamatnes priekšējo daļu uz zāgējamā priekšmeta virsmas

- ! **nodrošiniet, lai pirms ripzāga ieslēgšanas asmens zobi nepieskartos zāgējamajam priekšmetam**
- ieslēdziet instrumentu, vispirms piespiežot drošības slēdzi W, un tad pavelkot sprūda slēdzi V
- ! **kontaktējiet instrumenta asmeni ar zāgējamo priekšmetu tikai pēc tam, kad tā asmens griešanās ātrums ir sasniedzis nominālo vērtību**
- ripzāga apakšējais aizsargs F atveras automātiski, ripai ieejot zāgējamajā priekšmetā (apakšējais aizsargs jāatver manuāli ar sviras G palīdzību tikai sevišķos gadījumos, piemēram, veicot zāgēšanu ar ripas iegremdēšanu)
- ! **nemēģiniet darbinstrumentam piemērot spēku (izvērieties vienu un nepārtraukti spiedienu, lai izvairītos no asmens galu pārkaršanas)**
- pabeidzot zāgēšanu, izslēdziet instrumentu, atļaidzot slēdzi V
- ! **pirms instrumenta pacelšanas no zāgējamā priekšmeta nogaidiet, līdz tā ripa pilnīgi apstājas**

## PRAKTISKI PADOMI

- Vienmēr pavērsiet sagataves labo pusi uz leju, lai nodrošinātu minimālu šķelšanās iespējamību.
- Izmantojiet tikai pareizā tipa uzasinātas zāgripas ⑬
  - zāgējuma kvalitāte ir atkarīga no zobu skaita
  - ripas ar karbīda galiem salīdzinājumā ar parastajām ripām saglabā asumu līdz 30 lietošanas reizēm ilgāk
- Šķerszāgēšana/garenzāgēšana ⑭
  - Šķerszāgēšanu vai garenzāgēšanu var viegli veikt ar paralēlo Y veida vadotni.
  - salāgojiet vadlīniju ar 0° zāgējuma līnijas indikatoru P uz kājas
  - ievietojiet paralēlu Y veida vadotni caur spraugām abās pēdas pusēs līdz vēlamajam platumam un nostipriniet ar pogu Z
- ! **barjera nedrīkst traucēt apakšējā aizsarga un zāga asmens brīvu kustību**
- Zāgēšana ar iegremdēšanu ⑮
  - iestādiat vēlamo zāgēšanas dziļumu
  - sagāziet instrumentu uz priekšu, zāgējuma līnijas indikatoram P jāatbilst uz detaļas atzīmētajai vēlamajai griezuma līnijai
  - ar sviru G atveriet apakšējo aizsargu F
  - ieslēdziet ripzāgi un tuviniet tā rotējošo ripu zāgējamā priekšmeta virsmai, laižot lejup instrumenta aizmugurējo daļu un izmantojot tā priekšējo daļu kā atbalsta punktu
  - pakāpeniski iegremdējiet ripzāga ripu zāgējamajā priekšmetā un vienlaikus sāciet virzīt instrumentu uz priekšu zāgējuma virzienā
  - ripzāga ripai, ieejot apstrādājamajā materiālā, atļaidiet sviru G
- ! **nekad nevelciet instrumentu atpakaļvirzienā**
- Liela izmēra paneļu zāgēšana ⑯
  - atbalstiet priekšmetu zāgējuma vietas tuvumā, novietojot to uz grīdas vai darbgalda
- ! **iestādiat vēlamo zāgēšanas dziļumu ar tādu aprēķinu, lai asmens izietu cauri zāgējamajam priekšmetam, bet neskartu virsmu, uz kuras balstās apstrādājamais priekšmets**
- ja nepieciešamo griezuma platumu nav iespējams nodrošināt ar paralēlo vadotni, iespējējiet vai pienaglojiet uz zāgējamā priekšmeta virsmas plakanu

- koka līsti, ko zāģēšanas laikā izmantot kā vadotni, un izmantojiet kājas labo pusi pret šo vadotni ⑦
- Zāģēšana ar vadotnes sliedi ⑩
  - \*NAV STANDARTA KOMPLEKTĀCIJĀ
  - Vadotnes sliedes izmantošana nodrošina precīzus, taisnus un akurātus griezumus 45° vai 90° slīpumā. Pirms pirmās zāģēšanas reizes ar vadotnes sliedi gumijas lūpa ir jāpielāgo izmantotajam ripzāģim.
  - taisnā 90° griezuma gadījumā salāgojiet sliedes AD 90° slīpo pusi (vai 45° slīpo pusi, veicot 45° noslīpinājuma griezumus) ar nepieciešamo griezuma līniju, kas atzīmēta uz sagataves.
  - stingri piestipriniet vadotnes sliedi AD pie sagataves, izmantojot vadotnes sliedes skavas AF ⑩ \*NAV IEKĻAUTAS STANDARTA KOMPLEKTĀ
  - uzbīdīet zāģi uz vadotnes sliedes AD, pārliecinieties, ka zāģis var brīvi slidēt pa sliedi, nesvārstoties uz sāniem.
  - nosakot griešanas dziļumu, neaizmirstiet, ka jāņem vērā vadotnes sliedes biezums AD.
  - vadiet zāģi vienmērīgi un lēnām caur sliedes galu AD.
- Papildu informāciju skatīt timekļa vietnē [www.skil.com](http://www.skil.com)

## APKOPE/SERVISS

- Šis instruments nav paredzēts profesionālai lietošanai.
- Vienmēr uzturiet instrumentu tīru
  - ! **pirms tīrīšanas izņemiet no instrumenta akumulatoru**
- Vienmēr raugiet, lai vieta ap apakšējo aizsargu F ② būtu tīra (savāciet putekļus un skaidas, tos aizpūšot prom ar saspīestu gaisu vai sasluokot ar slotu).
- Pēc rīvēšanas lietošanas nekavējoties attīriet tā ripu (īpaši no sveķiem un līmes paliekām).
- Ja, neraugoties uz augsto izgatavošanas kvalitāti un rūpīgo pēc pārdošanas pārbaudi, instruments tomēr sabojājas, tas jānogādā remontam firmas SKIL pilnvarotā elektroinstrumentu remonta darbnīcā.
  - nogādājiet instrumentu neizjauktā veidā kopā ar iegādes dokumentiem tuvākajā tirdzniecības vietā vai firmas SKIL pilnvarotā pēc pārdošanas apkalpošanas un remonta iestādē (adreses un instrumenta apkalpošanas shēma ir sniegta interneta vietnē [www.skil.com](http://www.skil.com))
- Ievērojiet, ka garantijā neietilpst pārslodzes vai nepareizas instrumenta ekspluatācijas izraisītie bojājumi (SKIL garantijas noteikumus skatiet [www.skil.com](http://www.skil.com) vai vērsieties pie izplatītāja).

## APKĀRTĒJĀS VIDES AIZSARDZĪBA

Tikai ES valstīm

- Neizmetiet elektriskos instrumentus, piederumus un iesaiņojuma materiālus sadzīves atkritumos**
  - saskaņā ar Eiropas Savienības direktīvu 2012/19/ES par nolietotajām elektriskajām un elektroniskajām iekārtām un tās atspoguļojumiem nacionālajā likumdošanā, nolietotās elektroiekārtas ir jāsavāc, jāizjauc un jānogādā otrreizējai pārstrādei apkārtējai videi nekaitīgā veidā
  - simbols ⑥ atgādina par to, kad būs nepieciešams no tā atbrīvoties
- ! **pirms akumulatora utilizācijas tā kontakti jāaplīmē ar izolācijas lenti, lai nepieļautu īssavienojuma rašanos starp tiem**

## TROKSNIS / VIBRĀCIJA

- Veicot mērījumus atbilstoši EN 62841, šī instrumenta akustiskā spiediena līmenis ir 94 dB(A) un akustiskās jaudas līmenis ir 102 dB(A) (nenoteiktība K = 3 dB), bet vibrācija <2,5 m/s<sup>2</sup> (triaksiālā vektora summa; nenoteiktība K = 1,5 m/s<sup>2</sup>).
- Vibrācijas līmenis ir noteikts, izmantojot standartā EN 62841 paredzēto procedūru; to var izmantot, lai salīdzinātu instrumentus un provizoriski izvērtētu vibrācijas iedarbību, lietojot instrumentu minētajiem mērķiem
  - instrumenta izmantošana citiem mērķiem vai ar citiem vai nepietiekami koptiem piederumiem var ievērojami palielināt kopējo vibrācijas iedarbības pakāpi.
  - laika periodi, kad instruments ir izslēgts vai arī ir ieslēgts, taču darbs ar to nenotiek, var ievērojami samazināt kopējo vibrācijas iedarbības pakāpi, samazinot iedarbības līmeni.
- ! **pasargājiet sevi no vibrācijas iedarbības, veicot instrumenta un tā piederumu tehnisko apkopi, novēršot roku atdzišanu un pareizi organizējot darbu**

LT

## Bešepetēlis diskinis pjūklas

3551

### ĪVADAS

- Šis irankis skirtas medienai pjauti īsligai ir skersai tiesiais pjūvialis bei iki 45° kampu.
- Šis irankis neskirtais naudoti profesionalams.
- Perskaitykite ir išsaugokite šią naudojimo instrukciją ③.

## TECHNINIAI DUOMENYS ①

### ĪRANKIO DALYS ②

- A Šešiabriaunis raktas
- B Šešiabriaunio rakto dėtuve
- C Suklijo blokavimo mygtukas
- D Varžtas
- E Jungė
- F Apatinė apsauga
- G Apatinės apsaugos atidarymo svirtis
- H Prispaudimo plokštuma
- J Atraminė plokštelė
- K Rankenėlė pjovimo gyliui nustatyti
- L Pjovimo gylio žymeklis
- M Rankenėlė pjovimo kampui nustatyti
- N Pjovimo kampo žymeklis
- P Pjūvio žymeklis
- Q Dulkių ištraukimo anga
- R Dulkių siurblio prijungimo adapteris
- S Galinė rankena
- T Priekinė rankena
- U Kreipiantysis bėgelis
- V Pagrindinis jungiklis
- W Apsauginis jungiklis
- X LED valymo ratukas
- Y Lygiagreti atrama
- Z Lygiagrečios atramos reguliavimo rankenėlė

- AA Pjovimo diskas
- AB ABaterijos įkrovos indikatorius
- AC ADulkių surinkimo maišelis\*
- AD AKreipiantysis bėgelis\*
- AE AKreipiančiojo bėgelio spaustukas\*
- \* NĖRA STANDARTINIAME KOMPLEKTE

## SAUGA

### BENDRIEJI ĮRANKIO SAUGOS ĮSPĖJIMAI

**⚠ ĮSPĖJIMAS** Perskaitykite ir peržiūrėkite visus su šiuo elektriniu įrankiu pateiktus saugos nurodymus, instrukcijas, iliustracijas ir specifikacijas. Nesilaikant visų toliau išdėstytų nurodymų galima patirti elektros smūgi, sukelti gaisrą ir (ar) sunkiai susižaloti.

**Įsisaugokite visas instrukcijas su įspėjimais, nes jų gali prireikti ateityje.**

Įspėjimuose vartojamu terminu „elektrinis įrankis“ nurodomas iš elektros lizdo maitinamas (laidinis) arba baterija maitinamas (belaidis) elektrinis įrankis.

#### 1) SAUGA DARBO VIETOJE

- a) Darbo vieta turi būti švari ir gerai apšviesta. Jei darbo vieta netvarkinga ar blogai apšviesta, gali įvykti nelaimingas atsitikimas.
- b) Nedirbkite su elektriniu įrankiu sprogioje aplinkoje, pavyzdžiui, ten, kur yra degių skysčių, dujų arba dulkių. Elektriniai įrankiai gali kibirkščiuoti, o nuo kibirkščių gali užsidegti dulksės arba susikaupę garai.
- c) Dirbdami su elektriniu įrankiu, neleiskite artintis vaikams ir pašaliniais asmenims. Dėl dėmesio blaškymo galite nesuvaldyti įrankio.

#### 2) ELEKTROSAUGA

- a) Elektrinio įrankio kištukas turi tikti elektros lizdui. Niekada ir jokiais būdais nebandykite perdaryti kištuko. Su žemintais elektriniais įrankiais nenaudokite jokių kištuko adapterių. Originalūs kištukai, tiksliai tinkantys elektros tinklo lizdui, sumažina elektros smūgio pavojų.
- b) Nesilieskite prie žemintų paviršių, pavyzdžiui, vamzdžių, radiatorių, viryklių ir šaldytuvų. Jei jūsų kūnas bus žemintas, padidės elektros smūgio pavojus.
- c) Saugokite elektrinius įrankius nuo lietaus ir drėgmės. Į elektrinio įrankio vidų patekus vandeniui padidėja elektros smūgio pavojus.
- d) **Atsargiai elkitės su maitinimo laidu. Niekada neneškite ir netempkite elektrinio įrankio, laikydami už maitinimo laidu. Netraukite laikydami už maitinimo laidu, norėdami ištraukti kištuką iš elektros lizdo. Saugokite laidą nuo kaitros šaltinių, alyvos, aštrių briaunų ir judančių dalių.** Pažeidimas arba supainiojus laidus išauga pavojus patirti elektros smūgi.
- e) Kai elektriniu įrankiu dirbate lauke, naudokite laukui skirtą laidu ilgintuvą. Naudojant laukui skirtą maitinimo laidu, sumažėja pavojus patirti elektros smūgi.
- f) Jeigu elektrinio įrankio naudojimas drėgnoje vietoje yra neišvengiamas, naudokite maitinimo šaltinį su liekamąja srove valdomu atjungimo įtaisu (RCD). RCD naudojimas sumažina elektros smūgio pavojų.

#### 3) ASMENINĖ SAUGA

- a) Dirbdami su elektriniu įrankiu būkite budrūs, stebėkite, ką darote, ir vadovaukitės sveika nuovoka. Nedirbkite su elektriniu įrankiu, jei esate pavargę arba vartojote narkotikus, alkoholių ar medikamentus. Dirbant su elektriniais įrankiais pakanka vienos neatidomu akimirkos ir galima sunkiai susižaloti.
  - b) Naudokite asmeninės apsaugos priemones. Visada būkite su apsauginiais akiniais. Atitinkamomis sąlygomis naudojamos apsaugos priemonės, pvz., respiratorius, neslidūs apsauginiai batai, šalmas arba ausinės, sumažina pavojų susižaloti.
  - c) **Apsisaugokite nuo atsitiktinio įrankio įsijungimo. Prieš jungdami prie maitinimo šaltinio ir (ar) sudėtinės baterijos, prieš įrankį keldami arba nešdami įsitikinkite, kad jungiklis yra išjungimo padėtyje.** Nešant elektrinius įrankius uždėjus pirštą ant jungiklio arba netyčia įjungiant elektrinį įrankį su įjungtu jungikliu, gali įvykti nelaimingas atsitikimas.
  - d) **Prieš įjungdami elektrinį įrankį, patraukite j šalį visus reguliavimo raktus ir veržliarakčius.** Elektrinio įrankio sukamojoje dalyje likus raktui ar veržliarakčiui galima susižaloti.
  - e) **Nesistenkite pasiekti pernelyg toli. Visada stovėkite tvirtai ir išlaikykite pusiausvyrą.** Tuomet geriau suvaldysite elektrinį įrankį netikėtose situacijose.
  - f) **Dėvėkite tinkamus drabužius. Nedėvėkite laisvų drabužių ir nenešiokite laisvai kabančių papuošalų. Saugokite savo plaukus ir drabužius nuo judančių dalių.** Laisvus drabužius, papuošalus ar ilgus plaukus gali įtraukti judamosios dalys.
  - g) **Jeį yra įtaisai, skirti dulkių išsiurbimo ir surinkimo įtaisams prijungti, tinkamai juos prijunkite ir naudokite.** Naudojant dulkių surinkimo įrenginius, gali sumažėti su dulkiėmis susijusių pavojų.
  - h) **Dažnai naudodami įrankius pernelyg savimi nepasitikėkite ir neparaskite budrumo, kad paisytumėte saugaus įrankio naudojimo taisyklę.** Užtenka akimirkos, kad dėl neatsargaus veiksmo sunkiai susižalotumėte.
- #### 4) ELEKTRINIŲ ĮRANKIŲ NAUDOJIMAS IR PRIEŽIŪRA
- a) Elektrinio įrankio pernelyg nespauskite. Naudokite jūsų darbui tinkamą elektrinį įrankį. Veikdamas numatytuojų greičiu, tinkamas elektrinis įrankis darba atlieka veiksmingiau ir saugiau.
  - b) **Nenaudokite elektrinio įrankio, jeigu jo negalima įjungti ar išjungti jungikliu.** Bet koks elektrinis įrankis, kurio jungiklis neveikia, yra pavojingas, tad jį būtina sutaisyti.
  - c) **Prieš reguliuodami elektrinį įrankį, keisdami jo priedus arba padėdami jį į laikymo vietą, atjunkite kištuką nuo maitinimo šaltinio ir (ar) sudėtinę bateriją nuo įrankio.** Ši saugumo priemonė apsaugos jus nuo netyčinio elektrinio įrankio įjungimo.
  - d) **Nenaudojamus elektrinius įrankius laikykite vaikams neprieinamoje vietoje.** Su elektriniu įrankiu neleiskite dirbti asmenims, nesusipažinusiems su įrankiu arba šia instrukcija. Neapmokytų naudotojų naudojami elektriniai įrankiai kelia pavojų.
  - e) **Tinkamai prižiūrėkite elektrinius įrankius ir jų priedus. Patikrinkite, ar sukamos jū dalys išcentruotos ir nestringa, ar nėra sulūžusių dalių ir kitų sąlygų, galinčių turėti įtakos elektrinio įrankio**

veikimui. Jei elektrinis įrankis sugedęs, prieš naudodami jį suremontuokite. Daugelio nelaimingų atsitikimų priežastis yra netinkama elektrinių įrankių priežiūra.

- f) Pjovimo įrenginiai turi būti aštrūs ir švarūs. Tinkamai prižiūrėti pjovimo įrankiai aštriais ašmenimis rečiau stringa ir lengviau valdomi.
  - g) Elektrinį įrankį, priedus, antgalius ir kitas dalis naudokite pagal šią instrukciją, atsižvelgdami į darbo sąlygas ir atliekamą darbą. Naudojant elektrinius įrankius ne pagal paskirtį gali susidaryti pavojingos situacijos.
  - h) Įrankių rankenos ir sugriebimo paviršiai turi būti sausi, švarūs ir neištepti alyva ar tepalu. Dėl slidžių rankenų ir sugriebimo paviršių įrankį sunku saugiai valdyti ir jis gali išsprūsti netikėtomis aplinkybėmis.
- 5) AKUMULIATORINIŲ ĮRANKIŲ NAUDOJIMAS IR PRIEŽIŪRA**
- a) Kraukite naudodami tik gamintojo nurodytą įkroviklį. Naudojant įkroviklį, skirtą kito tipo sudėtinei baterijai, gali kilti gaisro pavojus.
  - b) Elektrinius įrankius naudokite tik su jiems skirtomis sudėtinėmis baterijomis. Naudojant kitokias sudėtines baterijas gali kilti sužalojimų ir gaisro pavojus.
  - c) Nenaudojama sudėtinė baterija turi būti laikoma atokiau nuo metalinių daiktų, tokių kaip sąvaržėlės, monetos, raktai, vinys, varžtai ar kiti smulkūs metaliniai daiktai, galintys sujungti abu baterijos gnybtus. Įvykus trumpajam jungimui tarp baterijos gnybtų galima nusideginti ar gali kilti gaisras.
  - d) Dėl netinkamų sąlygų iš baterijos gali ištekėti skystis – nelieskite jo. Skystičiui atsitiktinai patekus ant odos, nedelsiant nuplaukite vandeniu. Jeigu skystičio pateko į akis, kreipkitės ir į gydytojus. Iš baterijos ištekėjęs skystis gali dirginti arba nudeginti.
  - e) Nenaudokite pažeistos ar modifikuotos sudėtinės baterijos ar įrankio. Tokios netinkamos sudėtinės baterijos gali kelti gaisro, sprogingo ar sužalojimo pavojų.
  - f) Sudėtinės baterijos ar įrankio negalima deginti ar kaitinti. Bateriją deginant ar įkaitinus virš 130 °C ji gali sprogti.
  - g) Laikykitės įrankio ar sudėtinės baterijos įkrovimo instrukcijų ir įkrovimą vykdykite nurodytame temperatūrų diapazone. Priešingu atveju galite sugadinti sudėtinę bateriją ar net sukelti gaisrą.
- 6) TECHNINĖ PRIEŽIŪRA**
- a) Jūsų elektrinio įrankio techninės priežiūros darbus gali vykdyti tik kvalifikuotas remonto meistras, naudodamas tik identiškas atsargines dalis. Tokiu būdu elektrinis įrankis išliks saugus.
  - b) Niekada neremontuokite sugadintų sudėtinio baterijų. Baterijas remontuoti gali tik gamintojas arba įgalioto techninės priežiūros centro specialistai.

## BEŠEPETĖLIŲ DISKINIŲ PJŪKLIŲ SAUGOS INSTRUKCIJOS

### SAUGOS INSTRUKCIJOS VISŲ TIPŲ PJŪKLAMS

- a) **PAVOJUS:** neikiškite rankų į pjovimo zoną ir šalia disko. Antrąją ranką laikykite ant pagalbinės rankenos arba variklio korpuso. Jei pjūklą laikote

abiem rankomis, geležtė negali jų įpjauti.

- b) Nesistenkite pasiekti po darbo ruošiniu. Apsauga negali apsaugoti jūsų nuo pjūklo disko po ruošiniu.
- c) Sureguliuokite pjovimo gyri pagal darbo ruošinio storį. Ruošinio apačioje turi matytis tik vieno disko dantuko dalis.
- d) Pjovimo metu niekada nelaiykite ruošinio rankose ar kserai kojų. Pritvirtinkite ruošinį prie stabiliaus darbatalio. Svarbu tinkamai ruošinį atremti, kad iki minimumo sumažėtų kūno dalių sužalojimo, disko įstrigimo ar įrankio nesuvaldymo pavojus.
- e) Elektrinius įrankius laikykite tik už izoliuoto, laikymui skirto paviršiaus, nes pjaunant diskas gali prisiliesti prie paslėpto elektros laido. Pažeidus laidą, kuriuo teka elektros srovė, ji taip pat pradeda tekėti metalinėmis įrankio dalimis, ir tokiu atveju operatorius gali patirti elektros smūgį.
- f) Pjaudami prapjovas visada naudokite lygiagrečią pjovimo atramą arba statmeną krašto atramą. Taip pjūvis bus tikslesnis ir sumažės disko įstrigimo tikimybė.
- g) Visada naudokite tinkamo dydžio ir tvirtinimo prie veleno angos formos (ne apvalios, o rombo) pjovimo diskus. Jei pjovimo disko tvirtinimo anga netinka pjūklo velenui, diskas sukis ekscentriškai ir galite nesuvaldyti įrankio.
- h) Niekada nenaudokite pažeistų ar netinkamų disko poveržių ar varžtų. Originalios disko poveržlės ir varžtai buvo specialiai sukurti jūsų pjūklui, siekiant optimalaus veikimo ir veikimo saugumo.

## TELESNĖS SAUGOS INSTRUKCIJOS VISŲ TIPŲ PJŪKLAMS

### ATATRANKOS PRIEŽASTYS IR SUSIJĘ ĮSPĖJIMAI

- Atatranka yra staigi reakcija į suspaustą, įstrigusį ar neišcentruotą pjovimo diską, kuomet nesuvaldytas pjūklas iššoka iš ruošinio atgal link operatoriaus;
- kai diskas suspaudžiamas ar įstringa užsidarančioje prapjovoje, jis sustabdomas, o dėl variklio reakcijos pjūklas staigiai atmetamas atgal į operatorių;
- jei diskas persikreipia prapjovoje, dantukai disko galiniame krašte gali „įsikasti“ į viršutinį medienos paviršių, dėl ko diskas išstumiamas iš prapjovos ir atšoka atgal į operatorių.

Atatranka vyksta netinkamai naudojant įrankį ir (ar) dėl netinkamų darbinių procedūrų arba sąlygų. Jos galima išvengti imantis toliau nurodytų atsargumo priemonių.

- a) Pjūklą tvirtai laikykite abiem rankomis ir pasirinkite tokią rankų padėtį, kad galėtumėte pasipriešinti atatrankos jėgoms. Atsistokite taip, kad jūsų kūnas būtų pjovimo disko plokštumos šone, o ne vienoje linijoje. Dėl atatrankos pjūklas gali atšokti atgal, tačiau operatorius gali kontroliuoti atatrankos jėgas, jei imasi tinkamų atsargumo priemonių.
- b) Kai pjovimo diskas stringa ar dėl kokios nors priežasties sustabdoma pjovimą, atleiskite pagrindinį jungiklį ir palaukite, kol pjūklas visiškai sustos. Niekada nebandykite ištraukti pjovimo disko iš darbo ruošinio arba traukti pjūklą atgal, kol diskas dar sukasi, nes gali įvykti atatranka. Išsiaiškinkite ir imkitės taisomųjų veiksmų, kad pašalintumėte disko įstrigimo priežastį.
- c) Vėl paleisdami pjūklą, kurio pjovimo diskas likęs darbo ruošinyje, diską išcentruokite taip, kad jo

**dantukai nekabintų pjaunamos medžiagos.** Jei pjovimo diskas stringa, iš naujo paleidžiant pjūklą jis gali „išlipti“ iš prapjovos ar atšokti.

- d) **Pjudami paremkite dideles plokštes, kad iki minimumo sumažėtų pjovimo disko suspaudimo ir atatranks pavojus.** Didelės plokštės gali nulinkti nuo savo svorio. Attramas po plokštę reikia pastatyti iš abiejų pusių šalia pjūvio linijos ir šalia plokštės kraštų.
- e) **Nenaudokite atšpusių ar pažeistų diskų.** Nepagaląsto ar netinkamai nustatyto pjovimo disko prapjova siaura, todėl padidėja trintis, disko strigimas ir atatranks pavojus.
- f) **Pjovimo gylio ir nuožambio reguliavimo fiksavimo svirtys turi būti tvirtai priveržtos prieš pradėdami pjauti.** Jeigu pjovimo metu šios svirtis pasislenka, diskas gali įstrigti ir atšokti.
- g) **Būkite ypač atsargūs pjudami į esamas sienas ar kitas aklašias zonas.** Pjovimo diskas gali įpjauti klūtis, kurios gali sukelti atatranką.

#### **APATINĖS APSAUGOS FUNKCIJA**

- a) **Kiekvieną kartą prieš naudodami patikrinkite apatinę apsaugą, ar ji tinkamai užsidaro.** Nenaudokite pjūklo, jei apatinė apsauga laisvai nejuda ir akimirksniu neužsidaro. Niekada neužfiksokite apatinės apsaugos atidarytoje padėtyje. Netyčia numetę pjūklą galite sulankstyti jo apatinę apsaugą. Pakelkite apatinę apsaugą su atitraukimo rankena ir patikrinkite, ar ji laisvai juda ir neliečia pjovimo disko ar kurios nors kitos dalies, pasukus bet kuriuo kampu ar pasirinkus bet kurį pjovimo gyį.
- b) **Patikrinkite apatinės apsaugos spyruoklės veikimą.** Jei apsauga ir spyruoklė tinkamai neveikia, prieš naudojant jas reikia sutvarkyti. Apatinė apsauga gali prastai veikti dėl pažeistų dalių, lipnių nuosėdų ar susikaupusių nešvarumų.
- c) **Apatinę apsaugą galima atitraukti rankiniu būdu tik atliekant specialius pjūvius, tokius kaip įleidžiami ar sudėtiniai pjūviai.** Pakelkite apatinę apsaugą atitraukimo rankena ir, kai tik pjovimo diskas pradės pjauti darbo ruošinį, apatinę apsaugą reikia paleisti. Pjaunant visais kitais būdais apatinė apsauga turi veikti automatiškai.
- d) **Visada patikrinkite, ar apatinė apsauga dengia pjovimo diską, prieš padėdami pjūklą ant darbastalio ar grindų.** Neapsaugotas besisukantis diskas atmes pjūklą atgal ir jis pjaus viską, kas atsidurs jo kelyje. Atkreipkite dėmesį, kiek trunka, kas pjovimo diskas sustotų po pagrindinio jungiklio atleidimo.

#### **BENDRIEJI NURODYMAI**

- Šį įrankį gali naudoti tik asmenys nuo 16 metų amžiaus.
- Šis įrankis netinka pjauti šlapiuoju būdu.
- **Draudžiama pjauti medžiagas, kurių sudėtyje yra asbesto** (asbestas gali sukelti vėžį).
- Kai kurių medžiagų, kaip antai dažų, kurių sudėtyje yra švino, kai kurių medžių rūšių medienos, mineralų ir metalo dulksės gali būti kenksmingos (sąlytis su šiomis dulksėmis arba įkvėptos dulksės gali sukelti operatoriumi arba šalia esantiems žmonėms alerginių reakcijų ir (ar) kvėpavimo sistemos susirgimų); **mūvėkite apsaugos nuo dulkių kaukę ir dirbdami naudokite dulkių ištraukimo įrenginį, jei jį galima prijungti.**
- Kai kurių rūšių dulksės priskiriamos kancerogeninėms

(pvz., ažuolo arba buko medienos dulksės), ypač susimaišiusios su medienos taurinimui naudojamais priedais; **mūvėkite apsaugos nuo dulkių kaukę ir dirbdami naudokite dulkių ištraukimo įrenginį, jei jį galima prijungti.**

- Vadovaukitės šalyje taikomų direktyvų reikalavimais, skirtais medžiagoms, su kuriomis norite dirbti.
- Nenaudokite šio pjūklo kartu su pjovimo stalu.
- Prieš įrankį reguliuodami ar keisdami jo priedus, išimkite bateriją.

#### **PIRIEDAI**

- SKIL gali garantuoti nepriekaištingą įrankio veikimą tik tuo atveju, jei naudojama originali papildoma įranga ir priedai.
- Naudokite tik priedus, kurių leistinas greitis atitinka bent didžiausią įrankio greitį be apkrovos.
- Naudokite tik tokius pjovimo diskus, kurie atitinka šioje naudojimo instrukcijoje pateiktas specifikacijas, yra patikrinti pagal EN 847-1 ir atitinkamai paženklinėti.
- Naudokite tik 165 mm skersmens pjovimo diskus, kurių suklio skylė yra 16 mm.
- Su šiuo įrankiu niekada nenaudokite šlifavimo ar pjaustymo diskų.

#### **PIRĖS DARBA**

- Prieš pradėdami darbą iš ruošinio pašalinkite varžtus, vinis ir kitas detales, kad nesugadintumėte įrankio.
- Prieš pradėdami pjauti pašalinkite visas pjūvio linijoje esančias klūtis tiek ruošinio viršuje, tiek apačioje.
- **Ruošinį gerai įtvirtinkite** (spaustuvoje suspaustas ruošinys laikosi tvirtiau nei laikomas ranka).
- **Su tinkamais ieškikliais patikrinkite, ar darbo zonoje nėra paslėptų komunalinių tinklų vamzdžių, arba pagalbos kreipkitės į vietinius komunalinių paslaugų tiekėjus** (pažeidus elektros laidą, gali kilti gaisro ar elektros smūgio pavojus; pažeidus dujotiekio vamzdį, gali įvykti sprogimas; pažeidus vandentiekio vamzdį, galima sugadinti turtą arba gali kilti elektros smūgio pavojus).

#### **DARBO METU**

- Darbo metu triukšmo lygis gali viršyti 85 dB (A). Dėvėkite klausos apsaugos priemonės.
- Niekada nenaudokite įrankio be originalios apsauginės įrangos.
- Nemėginkite pjauti labai mažų ruošinių.
- Nedirbkite su įrankiu iškėlę jį virš galvos.
- Įrankiui įstrigus ar atsiradus mechaninio ar elektrinio pobūdžio trikdams, iš karto išjunkite įrankį ir išimkite bateriją.

#### **PO DARBO**

- Prieš padėdami įrankį išjunkite variklį ir palaukite, kol visos besisukančios dalys visiškai sustos.
- Išjungę diskinį pjūklą, jo disko niekada nebandykite sustabdyti prie ko nors priglaudami.

#### **BATERIJOS**

- **Pridedama baterija** (jei pridedama) yra iš dalies įkrauta (kad būtų išnaudota visa baterijos talpa, prieš pirmą kartą naudodami elektrinį įrankį iki galo ją įkraukite, įstatę į baterijų įkroviklį).
- **Su šiuo įrankiu naudokite tik šias baterijas ir įkroviklius:**
  - SKIL baterija: BR1\*31\*\*\*\*
  - SKIL įkroviklis: CR1\*31\*\*\*\*
- Nenaudokite pažeistų baterijų – jas būtina nedelsiant pakeisti.
- Baterijų neardykite.

- Nepalikite įrankio ir baterijos lietuje.
- Leistina aplinkos temperatūra (įrankio, įkroviklio, baterijos):
  - įkrovimo metu 4–40 °C;
  - darbo metu -20–50 °C;
  - laikymo metu -20–50 °C.

### SIMBOLIŲ ANT ĮRANKIO REIKŠMĖS

- ③ Prieš naudojant prietaisą perskaityti instrukcijų vadovą.
- ④ Įmestos į ugnį baterijos gali sprogti; draudžiama baterijas deginti.
- ⑤ Laikyti įrankį / įkroviklį / bateriją vietoje, kurioje temperatūra neviršija 50 °C.
- ⑥ Elektrinius įrankius ir baterijas draudžiama išmesti kartu su buitinėmis atliekomis.

## NAUDOJIMAS

- Baterijos įkrovimas  
**! Skaitykite saugos įspėjimus ir instrukcijas, pateiktas kartu su įkrovikliu.**
- Baterijos išėmimas ir įstatymas. ②
- Baterijos įkrovos lygio indikatorius ⑦
  - Paspauskite baterijos įkrovos indikatoriaus mygtuką AB, norėdami pamatyti baterijos įkrovos lygį ⑦a
  - ! Jei paspaudus mygtuką AB ⑦b pradeda mirksėti mažiausias baterijos įkrovos indikatorius, tai reiškia, kad baterija išsikrovusi.**
  - ! Jei paspaudus mygtuką AB ⑦c pradeda mirksėti 2 baterijos įkrovos indikatoriai, tai reiškia, kad aplinkos temperatūra neatitinka leistinos darbo temperatūros.**
- Šešėlio liniją apšviečianti LED lemputė ⑧
 

Jūsų įrankyje, po viršutine apsauga yra įtaisyta šešėlio liniją apšviečianti LED lemputė.

Ji papildomai apšviečia pjovimo diską ir ruošinio paviršių. LED lemputė nukreipia pjovimo disko šešėlį kaip kreipiamąjį įrankį, kad įrankį būtų galima vesti pagal norimą pjūvio liniją, pažymėtą ant ruošinio.

**! visuomet pirmiausia išbandykite pjovimo greitį, įjaudami bandomąjį ruošinio gabalėlį**

LED lemputė automatiškai įsijungs šiek tiek paspaudus pagrindinį jungiklį. Atleiskus pagrindinį įrankio jungiklį, jį užgesa praėjus maždaug 10 sekundžių.

**! LED lemputė greitai mirksės įrankį ir (ar) sudėtinę bateriją pelynęg apkrovos arba jiems pelynęg įkaitus. Tada vidiniai jutikliai įrankį išjungs. Leiskite įrankiui atvėsti arba įrankį ir sudėtinę bateriją atskirai padėkite, taip, kad juos atvėsintų oro srautas.**

**! Jei LED lemputė mirksi lėčiau, tai reiškia, kad sudėtinės baterijos įkrova yra maža. Įkraukite sudėtinę bateriją.**

Viršutinėje apsauginėje dalyje įmontuotas valymo ratukas X su LED apšvietimu skirtas LED lemputei valyti. Kai LED lemputės šviesa dėl ant jos susikaupusių pjūvenų tampa neryški, sukite LED lemputės valymo ratuką X bet kuria kryptimi, kad pašalintumėte pjūvenas ir LED lemputės šviesa vėl taptų ryški.
- Baterijos apsauga
 

Įrankis staiga išsijungia arba jo nepavyksta įjungti, jei

  - **apgrova per didelė** --> pašalinkite apgrovą ir vėl paleiskite;
  - **baterijos temperatūra neatitinka leistinos darbo temperatūros, kuri turi būti nuo -20 °C iki +50 °C**

--> paspaudus mygtuką AB ⑦c, pradeda mirksėti 2 baterijos įkrovos indikatoriai. Palaukite, kol baterijos temperatūra atitiks leistinos darbo temperatūros diapazoną;

- **baterija beveik išsikrovusi (apsauga nuo visiškai išsikrovimo)** --> paspaudus mygtuką AB, rodomas žemas baterijos lygis arba mirksi žemo įkrovos lygio indikatorius ⑦b. Bateriją reikia įkrauti.
- ! Įrankiui automatiškai išsijungus, toliau nespauskite pagrindinio jungiklio, nes galite sugadinti bateriją.**
- Pjovimo disko AA ② tvirtinimas  
**! išimkite iš įrankio bateriją;**
  - Išimkite šešiabriaunį raktą iš laikiklio B.
  - Nuspauskite suklio blokavimo mygtuką C ir laikykite nuspaudę, kol išimsite varžtą D, pasukdami šešiabriaunį raktą A LAIKRODŽIO RODYKLĖS KRYPTIMI (= ant pjovimo disko pažymėtos rodyklės kryptimi).
  - ! Suklio blokavimo mygtuką C spauskite tik įrankiui visiškai sustojus.**
  - Atleiskite suklio blokavimo mygtuką C.
  - Nuimkite jungę E.
  - ! Jungių prispaudimo plokštumos H turi būti visiškai švarios ir atsuktos į pjovimo diską.**
  - Svirtimi G atidarykite apatinę apsaugą F ir laikykite, kol uždėsite pjovimo diską taip, kad jo dantukai ir rodyklė būtų nukreipti ta pačia kryptimi, kaip ir rodyklė ant viršutinės apsaugos.
  - Atleiskite ir uždarykite apatinę apsaugą F.
  - Uždėkite jungę E.
  - Paspauskite suklio blokavimo mygtuką C ir laikykite nuspaudę, kol šešiabriauniu raktu A priveršite disko varžtą (priveržę ranka, dar pasukite 1/8 apsisukimo – taip diskas galės praslysti pelynęg padidėjus apkrovai ir sumažės variklio apkrova bei pjūklo atitranka).
  - Atleiskite suklio blokavimo mygtuką C.
- Pjovimo gylio nustatymas (0–57 mm) ⑨
  - Atsukite rankenėlę K.
  - Pakelkite arba nuleiskite atraminę plokštelę J į pageidaujamą pjovimo gylį pagal skalės indikatorius L.
  - Priveržkite rankenėlę K.
  - Optimali pjovimo kokybė pasiekama tuomet, kai pjovimo diskas išsičia ruošinio apačioje ne daugiau kaip per vieną dantuką.
- Pjovimo kampo reguliavimas (0–45°) ⑩
  - Atsukite rankenėlę M.
  - Įrankį pakreipkite norimu pjovimo kampu, orientuodamiesi pagal indikatorius N padėtį skalėje.
  - Priveržkite rankenėlę M.
  - ! atliekant įstrižus pjūvius, pavertus pjūklo diską kampu, gylio skalėje pažymėtos padalos neatitinka tikrojo pjovimo gylio**
- Pjūvio žymeklis P ⑪
  - Padeda tiksliai vesti įrankį pagal ant ruošinio užbrėžtą liniją.
  - Tiesiam 0° arba įstrižam 45° pjūviui reikia naudoti atitinkamą žymeklio liniją.
  - ! didesnė atraminės plokštumos dalis turi gulti ant paremtos ruošinio dalies**
  - ! pjūvio plotis priklauso nuo pjūklo dantų tako pločio, o ne nuo disko storio**
  - ! norėdami sužinoti tikrąjį pjūvio liniją, visuomet**



### **pirmiausiai atlikite bandomąjį pjūvį**

- Dulkių siurbimas ⑫  
Pritvirtinkite dulkių siurblio adapterį R prie dulkių siurbimo angos Q varžtu su kryžmine galvute.  
Jei naudojate dulkių siurbli:
  - prijunkite dulkių siurblio žarną prie dulkių siurblio adapterio R**! Dulkių siurblio žarna niekada neturi kliudyti apatinei apsaugai F ar pjovimo darbams.**  
Dulkių surinkimo maišelis:
  - Uždėkite dulkių surinkimo maišelį AC \*NĖRA STANDARTINIAME KOMPLEKTE
- Įrankio naudojimas
  - Įstatykite bateriją.
  - Visada viena ranka tvirtai laikykite galinę rankeną S, o kita – priekinę rankeną T.
  - Uždėkite prietaisą atraminės plokštelės priekine dalimi ant ruošinio.**! Žiūrėkite, kad pjūklo dantys nesiremtų į ruošinį**
  - Įrankį įjunkite pirmiausia nuspausdami apsauginį jungiklį W, po to paspausdami pagrindinį jungiklį V.**! Pjūklo diskas pirmiausia turi pilnai įsibėgėti, tik po to jį galima glausti prie ruošinio**
  - Apatinė apsauga E atsidaro automatiškai, kai pjovimo diskas įsipjauna į ruošinį (atliekant specialius pjūvius, tokius kaip įleidžiami, apatinę apsaugą atidarykite rankiniu būdu su svirtimi G).**! nespauskite įrankio (kad neperkaistų pjūklo dantys, spauskite lengvai ir tolygiai)**
  - Pabaigę pjūvį, išjunkite įrankį atleisdami pagrindinį jungiklį V.**! Prieš pakeldami įrankį nuo ruošinio patikrinkite, ar pjovimo diskas visiškai sustojo.**

## **NAUDOJIMO PATARIMAI**

- Visada gerąją ruošinio pusę dėkite į apačią, kad ji kuo mažiau skilintų.
- Naudokite tik tinkamo tipo aštrius pjovimo diskus ⑬
  - pjūvio kokybė priklauso nuo dantukų skaičiaus
  - pjūklo diskai su kietlydinio dantukais išlieka aštrūs iki 30 kartų ilgiau, nei įprastiniai diskai
- Skersiniai pjūviai ⑭  
Skersinius pjūvius lengva atlikti naudojant lygiagrečią atramą Y.
  - Sulygiuokite atramą su 0° pjovimo žymekliu P ant atraminės plokštelės.
  - įkiškite lygiagrečią atramą Y pro angą kurioje nors atraminės plokštelės pusėje iki norimo pločio ir užfiksuokite rankenėle Z.**! Pjūklo apsauginis aptvaras neturi trukdyti laisvai judėti apatinei apsaugai ir pjūklo diskui.**
- Smeigiamieji pjūviai ⑮
  - Nustatykite norimą pjovimo gylį.
  - Paverskite įrankį į priekį taip, kad pjūvio žymeklis P tiksliai atitiktų reikiamą pjūvio liniją, užbrėžtą ant ruošinio.
  - Svirtimi G atidarykite apatinę apsaugą F.
  - Prieš pat pjūklo dantukams prisiliečiant prie ruošinio, įjunkite pjūklą ir, iš lėto nuleisdami galinę įrankio dalį, įpjaukite ruošinį; priekinė atraminės plokštelės dalis visą tą laiką turi būti atremta į ruošinį ir naudojama kaip atramos vieta.
  - Įleidę pjovimo diską į ruošinį, po truputį pjūklą stumkite

ir į priekį.

- Kai diskas įsipjaus į ruošinį, atleiskite svirtį G.
- ! jokiū būdu netraukti pjūklo atgal**
- Didelių plokščių įpaustymas ⑯
  - Plokštę atremkite netoli pjūvio linijos, paguldę ją ant grindų, stalo ar darbatalio.**! pjovimo gylį nustatykite taip, kad perpjautumėte tik plokštę, bet neįpjautumėte atramos, ant kurios ji guli**
  - Jei lygiagrečios atramos nepakanka norimam pjovimo pločiui nustatyti, prie ruošinio prispauskite ar prikalkite tiesią medinę juostelę, kurią panaudokite kaip kreipiančiąją liniuotę; priglauškite prie jos dešininį atraminės plokštelės kraštą. ⑰
- Pjovimas naudojant kreipiantįjį bėgelį ⑱  
\* NĖRA STANDARTINIAME KOMPLEKTE  
Naudojant kreipiantįjį bėgelį galima atlikti tikslius ir tiesius pjūvius 45° arba nuožambiu 90° kampu.  
Prieš atliekant pirmąjį pjūvį su kreipiančiuoju bėgeliu, prie naudojamo diskinio pjūklo reikia pritaikyti guminę bėgelio briauną.
  - Jei norite atlikti tiesų 90° pjūvį, sulygiuokite bėgelio AD 90° nuožambia pusę (arba 45° nuožambia pusę, jei atliekate 45° nuožambų pjūvį) su norima pjūvio linija, pažymėta ant ruošinio.
  - Tvirtai prispauskite kreipiantįjį bėgelį AD prie ruošinio spaustuvais AE ⑲. \*NĖRA STANDARTINIAME KOMPLEKTE
  - Užmaukite pjūklą ant kreipiančiojo bėgelio AD, įsitikinkite, kad pjūklas gali laisvai slysti bėgeliu ir nesvyruoja į šonus.
  - Nustatydami pjovimo gylį, nepamirškite atsižvelgti į kreipiančiojo bėgelio AD storį.
  - Lėtai ir tolygiai stumkite pjūklą iki bėgelio AD galo.
- Daugiau informacijos rasite [www.skil.com](http://www.skil.com).

## **TECHNINĖ PRIEŽIŪRA IR REMONTAS**


- Šis gaminys neskirtas naudoti profesionaliai.
- Įrankis visada turi būti švarus.  
**! Prieš valydami išimkite iš įrankio bateriją.**
- Plotas aplink apatinę apsaugą F ② visada turi būti švarus (dulkes ir pjuvenas išpūskite suslėgtuoju oru arba nuvalykite šepetėliu).
- Po pjovimo iš karto nuvalykite pjovimo diską (ypač nuo dervų bei lakų liekanų).
- Jeigu įrankis, nepaisant gamykloje atliekamo kruopštaus gamybos ir kontrolės proceso, vis dėlto sugestų, jo remontas turi būti atliekamas įgaliotose SKIL elektrinių įrankių remonto dirbtuvėse.
  - Neišardytą įrankį kartu su pirkimo čekiu siųskite įrankio pardavėjui arba į artimiausią SKIL įmonės įgaliotą techninės priežiūros centrą (adresus bei atsarginių dalių brėžinius rasite [www.skil.com](http://www.skil.com)).
- Turėkite omeny, kad garantija netaikoma, jei gedimas atsiranda dėl perkrovos ar netinkamo naudojimo (dėl SKIL garantijos sąlygų žr. [www.skil.com](http://www.skil.com) arba kreipkitės į pardavėją).

## **APLINKOSAUGA**

Tik ES šalims

- **Neišmeskite elektrinių įrankių, jų priedų ir pakuočių kartu su buitėmis atliekomis**
  - pagal ES Direktyvą 2012/19/EB dėl naudotų elektrinių

ir електронinių prietaisų atliekų utilizavimo ir pagal galiojančius nacionalinius įstatymus netinkami naudoti elektriniai įrankiai turi būti surenkami atskirai ir pristatyti į tokių atliekų surinkimo vietas;

- simbolis  primins apie tai, kai tokią įrangą reikės išmesti.


**! Prieš išmesdami bateriją apvyniokite jos galus, kad nevyktų trumpasis jungimas.**

## TRIUKŠMAS / VIBRACIJA

- Išmatavus pagal EN62841, šio įrankio garso slėgio lygis yra 94 dB(A), garso galios lygis yra 102 dB(A) (neapibrėžtis K = 3 dB), o vibracija – <2,5 m/s<sup>2</sup> (triasių vektoriaus suma; neapibrėžtis K = 1,5 m/s<sup>2</sup>).
  - Vibracijos sklaidos lygis išmatuotas pagal standartą EN 62841 išdėstytais standartizuoto bandymo reikalavimus; ši vertė gali būti naudojama vienam įrankiui palyginti su kitu bei išankstiniams vibracijos poveikiui įvertinti, kai įrankis naudojamas paminėtais būdais:
    - naudojant įrankį kitokiais būdais arba su kitokiais bei netinkamai prižiūrimais priedais, gali labai **padidėti** poveikio lygis;
    - kai įrankis išjungtas arba yra įjungtas, tačiau juo nedirbama, gali labai **sumažėti** poveikio lygis.
- ! Apsisaugokite nuo vibracijos poveikio prižiūradami įrankį ir jo priedus, laikydami rankas šiltai ir derindami darbo ciklus su pertraukėlėmis.**

МК

## Кружна пила без четки 3551 ВОВЕД

- Овој алат е наменет за надолжно и попречно сечење на дрво со рамни засеци, како и со аголни засеци до 45°
- Овој алат не е наменет за професионална употреба
- Прочитајте го и зачувајте го ова упатство за ракување 

## ТЕХНИЧКИ ПОДАТОЦИ

### ЕЛЕМЕНТИ НА МАШИНАТА

- A** Шестоаголен клуч
- B** Простор за складирање на шестоаголниот клуч
- C** Копче за заклучување на вретеното
- D** Завртка
- E** Прирабница
- F** Долен штитник
- G** Лост за отворање на долниот штитник
- H** Површина за стегање
- J** Ножна плочка
- K** Копче за одредување на длабочината на сечење
- L** Индикатор на длабочината на сечење
- M** Регулатор за прилагодување на аголот за сечење
- N** Индикатор за аголот на сечење
- P** Индикатор за подесување на линијата на сечењето
- Q** Отвор за отстранување на прашината
- R** Адаптер за правосмукалка
- S** Задна рачка
- T** Предна рачка

- U** Прорез за шина водилка
  - V** Прекинувач за активирање
  - W** Сигурносен прекинувач
  - X** Диск за ЛЕД-чистење
  - Y** Странична ограда
  - Z** Копче за прилагодување на страничната ограда
  - AA** Сечило за пилата
  - AB** АИндикатор за нивото на батеријата
  - AC** АВреќа за прашина\*
  - AD** АШина водилка\*
  - AE** АСтегач за шина водилка\*
- \* СТАНДАРДНО НЕ Е ВКЛУЧЕНО

## БЕЗБЕДНОСТ

### ОПШТИ ПРЕДУПРЕДУВАЊА ЗА БЕЗБЕДНОСТ НА МАШИНИТЕ

 **ПРЕДУПРЕДУВАЊЕ** Прочитајте ги сите безбедносни предупредувања, упатства, слики и спецификации обезбедени со овој електричен алат. Непочитувањето на сите упатства подолу може да доведе до електричен удар, пожар и/или сериозна повреда.

**Чувајте ги сите предупредувања и упатства за понатамошно упатување.**

Поимот „електричен алат“, кој се користи во предупредувањата, се однесува на вашиот електричен алат (со приклучен кабел) или на електричен алат со погон на батерији (без приклучен кабел).

### 1) БЕЗБЕДНОСТ НА РАБОТНОТО МЕСТО

- Одржувајте го работното место чисто и добро осветлено.** Неуреден или темен работен простор може да предизвика незгоди.
- Немојте да работите со електрични алати во средини во кои има опасност од експлозија, како на пример во кои има запаливи течности, гасови или прашина.** Електричните алати создаваат искри коишто може да запалат прашина или испарувања.
- Држете ги децата и другите лица подалену додена ранувате со електричен алат.** Може да изгубите контрола ако нешто ви го одзема вниманието.

### 2) ЕЛЕКТРИЧНА СИГУРНОСТ

- Приклучоците за електричниот алат мораат да одговараат на штенерот. Никогаш на никаков начин не го менувајте приклучоцот.** Не користете никакви адаптери за приклучоци со (заземјени) електрични алати. Немодифицираните приклучоци и соодветните штекери ќе ја намалат опасноста од струен удар.
- Избегнувајте допир на телото со заземјени површини, како што се цевки, радијатори, шпорети и фрижидери.** Постои зголемена опасност од струен удар, доколку вашето тело е заземјено.
- Не ги изложувајте електричните алати на дожд или влага.** Продирањето на вода во електричниот уред ќе ја зголеми опасноста од струен удар.
- Немојте да го злоупотребувате кабелот за**

**напојување. Никогаш не го користете кабелот за напојување за носење, влечење или исклучување на електричниот алат.** Чувајте го кабелот за напојување подалеку од топлина, масло, остри ивици или подвижни делови. Оштетените или заплетканите кабли за напојување ја зголемуваат опасноста од струен удар.

- e) **Кога го употребувате електричниот алат надвор, користете продолжен кабел кој е соодветен за употреба на отворен простор.** Користењето на кабел соодветен за работа на отворен простор ја намалува опасноста од струен удар.
- f) **Доколку не може да се избегне работа со електричниот алат во влажна средина, користете заштитен уред што работи на резидуална струја (RCD).** Употребата на RCD ја намалува опасноста од струен удар.

### 3) ЛИЧНА ЗАШТИТА

- a) **Бидете внимателни, внимавајте што правите и постапувајте разумно додена работите со електричниот алат. Никогаш не работете со електричен алат ако сте уморни или под влијание на дрога, алкохол или лекови.** Момент на невнимание при работење со електрични алати може да доведе до сериозна лична повреда.
- b) **Носете лична заштитна опрема. Секогаш носете заштитни очила.** Носењето на заштитна опрема, како што е маска за прашина, безбедносни обувки кои не се лизгаат, заштитен шлем или штитници за уши, употребени во соодветни услови, ја намалуваат опасноста од лични повреди.
- c) **Спречете случајно вклучување. Осигурете се дена прекинувачот е на позицијата off (исклучено) пред приклучувањето на изворот на напојување и/или батеријата, подигнувањето или носењето на алатот.** Носењето на електричниот алат со вашиот прст на прекинувачот или вклучување на електрични алати со прекинувачот поставен на позиција on (приклучено) доведува до несреќи.
- d) **Пред вклучување на електричниот алат отстранете ги сите клучеви за подесување или алати за навртување.** Алат или клуч што е оставен прикачен на ротациониот дел на уредот, може да доведе до лична повреда.
- e) **Не посегнувајте преку одредената граница. Цело време одржувајте правилен став и рамнотежа.** На тој начин можете подобро да го контролирате електричниот алат во неочекувани ситуации.
- f) **Носете соодветна облека. Не носете широка облека или накит.** Чувајте ги носата и облеката подалеку од подвижните делови. Широката облека, накитот или долгата коса може да се фатат во подвижните делови.
- g) **Доколку се обезбедени уреди за приклучување на апарати за вшмукување и собирање прашина, осигурете се дека тие се правилно приклучени и користени.** Користењето на уреди за собирање прашина може да ги намали опасностите поврзани со прашината.
- h) **Не дозволувајте искуството стеннато со честата употреба на алатите да ве направи невнимателни и да ги игнорирате безбедносните принципи при**

**нивното користење.** Невнимателната активност може да предизвика сериозна повреда во дел од секунда.

### 4) УПОТРЕБА НА ЕЛЕКТРИЧНИ АЛАТИ И ГРИЖА ЗА НИВ

- a) **Не преоптоварувајте го електричниот алат. Користете ја правилната електрична алатна наменета за вашата работа.** Со соодветниот електричен алат ќе ја завршите работата подобро и побезбедно во однос на тоа за што е наменет.
- b) **Не користете го електричниот алат ако прекинувачот не може правилно да се вклучи и исклучи.** Секој електричен алат кој не може да се контролира со помош на приклучок е опасен и мора да се поправи.
- c) **Исклучете го електричниот алат од струја и/или извадете го комплетот со батерии, ако се одделува, пред да правите неканви прилагодувања, менувате дополнителна опрема или да го складирате електричниот алат.** Со овие превентивни безбедносни мерки се намалува опасноста од случајно вклучување на електричниот алат.
- d) **Складирајте ги електричните алати во мирување надвор од дофатот на деца и не им допуштајте работа со уредот на лица кои не се запознаени со него или кои го немаат прочитано ова упатство.** Електричните алати се опасни доколку со нив работат нестручни лица.
- e) **Одржувајте ги електричните алати и дополнителната опрема. Проверете дали има измествање или допирање на подвижните делови, дали некои делови се скршени или се во некоја друга состојба што влијае врз работата на електричниот алат. Ако е оштетен, однесете го алатот на поправка пред да го користите.** Многу несреќи се случуваат заради неодржуван електричен алат.
- f) **Алатите за сечење одржувајте ги остри и чисти.** Внимателно одржуваните алати за сечење со остри ивици помалку ќе се заглавуваат и полесно се контролираат.
- g) **Електричниот алат, дополнителната опрема, работните алати итн., треба да ги користите според овие упатства, земајќи ги во предвид работните услови и работата која треба да се заврши.** Употребата на електричниот алат за работи што се поинакви од неговата намена може да доведе до опасна ситуација.
- h) **Одржувајте ги рачките и површините за фаќање суви, чисти и без масло и маст на нив.** Рачките и површините за држење што се лизгаат не овозможуваат безбедно ракување и контрола на алатот во неочекувани ситуации.

### 5) КОРИСТЕЊЕ НА АЛАТ НА БАТЕРИИ И ГРИЖА ЗА НЕГО

- a) **Вршете полнење само со полначот што е пропишан од страна на производителот.** За полначот кој е соодветен за еден вид на батерии, постои опасност од пожар, доколку се употребува со други батерии.
- b) **Користете ги електричните алати само со посебно назначени батерии.** Користењето на било

кои други батерии може да доведе до опасност од повреда и пожар.

- c) **Кога батериите не се користат, држете ги настрана од метални предмети како што се спајалици за хартија, парички, клучеви, клинци, шrafoви или други, мали метални предмети кои можат да спојат еден пол со друг.** Краткиот спој на половите на батериите може да предизвика изгореници или пожар.
- d) **Во услови на злоупотреба може да дојде до исфрлање на течност од батеријата; избегнувајте контакт. Ако дојде до случаен контакт, измијте го местото со вода.** Ако течноста дојде во контакт со очите, дополнително побарајте и лекарска помош. Течноста која истекува од батеријата може да предизвика иритација или изгореници.
- e) **Не употребувајте комплет со батерии или алат којшто е оштетен или изменет.** Оштетените или изменетите батерии можат да реагираат непредвидливо и да предизвикаат пожар, експлозија или опасност од повреда.
- f) **Не изложувајте го комплетот со батерии или алатот на оган или висока температура.** Изложувањето на оган или температура над 130°C може да предизвика експлозија.
- g) **Следете ги сите упатства за полнење и не полнете го комплетот со батерии или алатот надвор од температуриот опсег наведен во инструкциите.** Неправилното полнење или полнењето на температура што е надвор од наведениот опсег, може да ја оштети батеријата и да ја зголеми опасноста од пожар.
- b) **СЕРВИСИРАЊЕ**
  - a) **Електричниот алат сервисирајте го најквалификувано лице кое користи само идентични резервни делови.** Со ова се обезбедува безбедно одржување на електричниот алат.
  - b) **Никогаш не поправајте ги оштетените комплети со батерии.** Поправката на комплетите со батерии треба да ја врши само производителот или некој овластен сервис.

## БЕЗБЕДНОСНИ УПАТСТВА ЗА КРУЖНИ ПИЛИ БЕЗ ЧЕТКИ

### БЕЗБЕДНОСНИ УПАТСТВА ЗА СИТЕ ПИЛИ

- a) **⚠ ОПАСНОСТ:** Држете ги рацете подалеку од областа за сечење и сечилото. Држете ја втората рака на помошната рачка, или на моторното нуџиште. Ако двете раце ја држат пилата, не може да бидат исечени со сечилото.
- b) **Не посегнувајте под работното парче.** Штитникот не може да ве заштити од сечилото под работното парче.
- c) **Прилагодете ја длабочината на сечењето на дебелината на работното парче.** Под работното парче треба да се гледа помалку од цел забец на сечилото.
- d) **Никогаш не држете го работното парче во вашите раце или преку ногата додена сечете.** Прицврстете го работното парче на стабилна платформа. Важно е да имате стабилна потпора

во текот на работата за да се намали изложување на телото, заглавување на сечилото или загуба на контролата.

- e) **Држете го електричниот апарат за изолираните површини за фаќање кога изведувате работи при кои алатот за сечење може да дојде во контакт со скриени жици.** При контакт со жица под напон, назащитените метални делови на електричниот алат исто така ќе бидат под напон и може да предизвикаат струен удар кај операторот.
- f) **При надолжно сечење, сегоаш користете ограда за надолжно сечење или водилка со рамен раб.** Така ќе ја подобрите прецизноста на сечењето и ќе го намалите ризикот од заглавување на сечилото.
- g) **Сегоаш користете сечила со соодветна големина и форма (ромб или круг) на отворите за осовината.** Сечилата што не се совпаѓаат со хардверот за монтажа на пилата на сечилото се вртат ексцентрично, предизвикувајќи губење на контролата.
- h) **Никогаш не користете оштетени или неисправни запчаници или резиња за сечилата.** Запчаниците и резињата за сечила се посебно дизајнирани за вашата пила, заради оптимални перформанси и безбедност при ракување.

## ДОПОЛНИТЕЛНИ БЕЗБЕДНОСНИ УПАТСТВА ЗА СИТЕ ПИЛИ

### ПРИЧИНИ ЗА ПОВРАТЕН УДАР И ПОВРЗАНИ ПРЕДУПРЕДУВАЊА

- повратниот удар претставува ненадејна реакција на прикљештено, заглавено или лошо порамнето сечило на пилата, што предизвикува подигање на неконтролираната пила од работното парче кон оној кој ракува со пилата;
- кога сечилото ќе се прикљешти или цврсто ќе се заглави при затворање на засекот, сечилото застанува и моторот забрзано ја води единицата наназад кон оној кој ракува со пилата;
- доколку сечилото се повлече навнатре или не е порамнето со површината која се сече, запците на задниот раб на сечилото може да се забијат во горната површина на дрвото и да предизвикаат дигање на сечилото од засекот и отскокнување кон оној кој ракува со пилата.

Повратниот удар произлегува како резултат од неправилно ракување и/или неправилни процедури или услови при работата со пилата, и може да се избегне со преземање на соодветни мерки на претпазливост кои се наведени во понатамошниот текст.

- a) **Одржувајте цврст зафат на пилата со двете раце и поставете ги рацете на тој начин со којшто ќе си овозможите да ја издржите силата на повратниот удар.** Поставете го телото на двете страни на сечилото, но не во линија со сечилото. Повратниот удар може да доведе до отскокнување на пилата наназад, но лицето кое ракува со неа може да ги контролира реакциите од силата на повратниот удар, ако ги преземе неопходните мерки на претпазливост.
- b) **Кога сечилото се заглавува или кога прекинувате со сечење од која било причина, исклучете**

ја пилата и држете ја без да ја поместувате додека сечилото не застане сосема. Никогаш не обидувајте се да ја извадите пилата од работното парче или да ја повлечувате наназад додека сечилото се движи, во спротивно може да дојде до повратен удар. Проверете и преземете корективни дејства за да ја елиминирате причината за заглавување на сечилото.

- c) **При рестартирање на пилата во работното парче, центрирајте го сечилото на пилата во прорезот така што забите на пилата да не се во контакт со материјалот.** Ако се заглави сечилото на пилата, може да оди нагоре или да се поврати од работното парче додека пилата се рестартира.
- d) **Потпрете ги големите панели за да го сведете ризикот од прикleshтување и повратен удар на сечилото на минимум.** Големите панели за работа имаат тенденција да се виткаат под сопствената тежина. Потпорите мора да се постават под панелот на двете страни, близу до линијата за сечење и близу работ на панелот.
- e) **Не користете тапи или оштетени сечила.** Ненаоштрени или неправилно поставени сечила може да доведат до тесен засек и да предизвикаат прекумерно триење, заглавување на сечилото или повратен удар.
- f) **Рачите за заклучување на длабочината на сечењето и подесување на косината мора да бидат цврсти и обезбедени, пред почетокот на сечењето.** Ако прилагодувањето на сечилото се помести додека сечете, тоа може да предизвика заглавување и повратен удар.
- g) **Бидете особено претпазливи при сечење во постоечките ѕидови или други подрачја кои не се гледаат.** Сечилото на пилата кое стрчи може да пресече предмети кои можат да предизвикаат повратен удар.

#### **ФУНКЦИЈА НА ДОЛНИОТ ШТИТНИК**

- a) **Проверете дали долниот штитник е добро затворен пред секоја употреба. Не вклучувајте ја пилата ако долниот штитник не се движи слободно и не се затвора веднаш. Никогаш не стегајте го или врзувајте го долниот штитник во отворена положба.** Долниот штитник може да се свитка ако пилата случајно падне. Подигнете го долниот штитник со рачката за вовлекување и проверете дали се движи слободно и дали ги допира сечилото или некој друг дел по сите агли и длабочини на сечење.
- b) **Проверете ја работата на пружината на долниот штитник. Ако штитникот и пружината не работат како што треба, тие мора да се сервисираат пред употреба.** Долниот штитник може да работи бавно заради оштетени делови, гумени наслагы или наталожен отпаден материјал.
- c) **Долниот штитник може да се вовлече рачно само за посебни засеци како што се „засеци со убод“ и „сложени засеци“.** Подигнете го долниот штитник со рачката за вовлекување и штом сечилото ќе влезе во материјалот, долниот штитник мора да се ослободи. За сите други видови на сечење, долниот штитник треба да работи автоматски.

- d) **Секогаш внимавајте долниот штитник да го покрие сечилото пред да ја спуштите пилата на клупа или на подот.** Незаштитено сечило во празен од ќе предизвика пилата да се повлече наназад, сечејќи се што е на нејзиниот пат. Бидете свесни за времето потребно сечилото да престане откако ќе се ослободи прекинувачот.

#### **ОПШТИ**

- Овој алат не треба да го користат лица под 16 години.
- Овој алат не е погоден за влажно сечење.
- **Не обработувајте никакви работни материјали кои содржат азбест** (азбестот важи за предизвикувач на рак).
- Прашината од материјали како боја која содржи олово, некои видови дрво, минерали и метали, може да биде штетна за здравјето (контактот со прашината или нејзиното вдишување може да предизвика алергиски реакции и/или болести на дишните органи за оној кој работи со алатот или луѓето во близина); **носете маска за прашина и работете со правосмукалки доколку можете да ги поврзете.**
- Некои видови на прашина се канцерогени (како на пример прашината од даб или бука), особено заедно со адитиви за одржување на дрвото; **носете маска за прашина и работете со правосмукалка доколку можете да ја поврзете.**
- Следете ги националните барања кои се однесуваат на прашина за материјалите со кои сакате да работите.
- Не ја користете оваа пила во комбинација со основа за пила.
- Отстранете ја батеријата од алатот пред секоје подесување или промена на дополнителната опрема.

#### **ДОПОЛНИТЕЛНА ОПРЕМА**

- SKIL може да признае гаранција само доколку е користена оригинална дополнителна опрема.
- Користете само дополнителна опрема чија дозволена брзина е во најмала рака еднаква на најголемата брзина при празен од на алатот.
- Користете само сечила за пила, кои одговараат на наведените податоци во ова упатство за употреба или се проверени и означени според EN 847-1.
- Користете само сечила за пили со дијаметар од 165 мм и отвор на вретеното од 16 мм.
- Никогаш не користете дискови за мелење/сечење со овој алат.

#### **ПРЕД УПОТРЕБА**

- Избегнувајте оштетувања од штрафови, шајки и други предмети во работното парче; тргнете ги пред да почнете со работа.
- Пред да почнете со сечење, отстранете ги сите пречки на и под местото каде сечете.
- **Зацврстете го работното парче** (работно парче кое е зацврстено со стеги или во менгеме е побезбедно отколку да го држите со раце).
- **Користете соодветни детектори за наоѓање на скриени инсталации или повинајте соодветна компанија за помош** (контактот со електричните линии може да доведе до струен удар; оштетувањата во гасоводна цевка може да резултираат со експлозија; пенетрирањето во водоводна инсталација може да доведе до оштета на предмети или електричен удар).

#### **ВО ТЕКОТ НА УПОТРЕБАТА**

- Нивото на бучава при работа може да надмине 85 dB(A); носете штитници за уши.
- Никогаш не користете го алатот без оригиналниот систем за заштита.
- Не се обидувајте да пресечете исклучително мали работни парчиња.
- Не работете со алатката над главата.
- Во случај да дојде до заглавување или електричен или механички дефект, веднаш исклучете го алатот и отстранете ја батеријата.

#### ПО УПОТРЕБА

- Исклучете го моторот пред да го спуштите алатот и проверете дали сите подвижни делови се комплетно застанати.
- Откако ќе ја исклучите кружната пила, никогаш не запирајте ја ротацијата на сечилото на пилата со примена на странична сила врз неа.

#### БАТЕРИИ

- **Обезбедената батерија, доколку ја има, е делумно наполнета** (за да се обезбеди целосен капацитет на батеријата, целосно наполнете ја батеријата во полначот на батеријата, пред за првпат да го употребите вашиот електричен алат)
- **Користете ги исклучиво следниве батерии и полначи со овој алат**
  - Батерија SKIL: BR1\*31\*\*\*\*
  - Полнач SKIL: CR1\*31\*\*\*\*
- Не ја користете батеријата кога е оштетена; таа треба веднаш да се замени.
- Не расклопувајте ја батеријата.
- Никогаш не изложувајте ги на дожд алатот/батеријата.
- Дозволена температура на околината (алат/полнач/батерија):
  - при полнење 4...40°C
  - при работа -20...+50°C
  - при складирање -20...+50°C

#### ОБЈАСНУВАЊЕ НА СИМБОЛИТЕ ЗА АЛАТОТ

- ③ Пред употреба прочитајте го прирачникот за употреба
- ④ Батериите може да експлодираат ако се изложат на оган, па затоа никако не палете ја батеријата
- ⑤ Секогаш чувајте ги алатот/полначот/батеријата на места со температура пониска од 50°C
- ⑥ Не фрлајте ги електричните алати и батериите заедно со домашниот отпад

#### УПОТРЕБА

- Полнење на батеријата
  - ! прочитајте ги безбедносните предупредувања и упатствата дадени со полначот
- Вадење/ставање на батеријата ②
- Индикатор за нивото на батеријата ⑦
  - притиснете го копчето за индикаторот за нивото на батеријата АВ за да се прикаже тековното ниво на батеријата ⑦а
  - ! ако по притиснање на копчето АВ ⑦b почне да трепка индикаторот за најниско ниво на батеријата, тогаш батеријата е празна
  - ! кога ќе почнат да трепкаат 2 нивоа на индикаторот на батеријата по притиснање на копчето АВ ⑦c, батеријата не е во рамките на дозволеният опсег за работна температура
- ЛЕД-светилка со сенчеста линија ⑧

Твојот алат е опремен со ЛЕД-светилка со сенчеста линија која се наоѓа под горниот штитник.

Ова обезбедува дополнително осветлување на сечилото на пилата и на површината на работното парче.

ЛЕД-светилката проектира сенка на сечилото на пилата за водење на електричниот алат низ саканата линија означена на работното парче.

**! секогаш прво испробајте на парче стар материјал**

ЛЕД-светилката автоматски ќе се вклучи со мало притискање на прекинувачот за активирање. Ќе се исклучи околу 10 секунди по ослободувањето на прекинувачот за активирање.

**! ЛЕД-светилката брзо ќе блесне кога алатот и/или батеријата ќе се преоптоварат или ќе станат премногу жешки и внатрешните сензори ќе го исклучат алатот. Оставете го алатот некое време или поставете ги алатот и батеријата одделно под воздушен проток за да се оладат.**

**! ЛЕД-светилката ќе свети побавно за да покаже дека нивото на полнење на батеријата е ниско. Наполнете ги батериите.**

Дискот за ЛЕД-чистење X, кој е вграден во горниот штитник е дизајниран за чистење на ЛЕД-светилката. Кога ЛЕД-светилката ќе стане слаба поради струготините кои се натрупани на неа, свртете го дискот за ЛЕД-чистење X во било која насока за да ги отстраните струготините и повторно направете ја ЛЕД-светилката светла.

- Заштита на батеријата
  - Алатот наеднаш се исклучува или не може да се вклучи, кога
    - оптоварувањето е преголемо --> отстранете го оптоварувањето и почнете повторно
    - температурата на батеријата не е во рамките на дозволеният опсег на работна температура од -20 до +50°C--> 2 нивоа на индикаторот за ниво на батеријата почнуваат да трепкаат кога ќе го притиснете копчето АВ ⑦c; почекајте батеријата да се врати во рамките на дозволеният опсег на работна температура
    - батеријата е скоро празна (заштита од целосно празнење) --> на индикаторот за нивото на батеријата ќе се прикаже ниско ниво на батеријата илди ќе трепка за ниско ниво на батеријата ⑦b кога ќе притиснете на копчето АВ; наполнете ја батеријата
    - ! не продолжувајте да притискате на прекинувачот за вклучување/исклучување откако алатот автоматски ќе се исклучи; батеријата може да се оштети
- Монтирање на сечилото за пилата АА ②
  - ! извадете ја батеријата од алатот
  - земете хексагоналан клуч А од складот В
  - притиснете го копчето за заклучување на вретеното С и држете го додека го отстранувате сечилото D со вртење на шестоаголниот клуч А ВО ПРАВЕЦ НА СТРЕЛКИТЕ НА ЧАСОВНИКОТ (= во истиот правец како и стрелката отпечатена на сечилото на пилата)
  - ! копчето за заклучување на вретеното С притиснете го само кога алатот целосно ќе застане

- пуштете го копчето за заклучување на вретеното C
- отстранете ја прирабницата E

**! проверете дали површините со стегите H на прирабниците се целосно чисти и свртени кон сечилото**

- отворете го долниот штитник F со лостот G и држете го додека го поставувате сечилото за пилата со заците и стрелката коишто се отпечатени на сечилото насочени во ист правец како и стрелката на долниот штитник
- олабавете го долниот штитник F
- поставете ја прирабницата E
- притиснете го копчето за заклучување на вретеното C и држете го притиснато додека го прицврстувате резот на сечилото D со помош на шестоаголен клуч A за 1/8 вртења по што треба да затегнете со прстите (така се осигурува лизгањето на сечилото на пилата кога ќе дојде до прекумерен отпор и оптеретување на моторот и повратен удар на пилата)

- пуштете го копчето за заклучување на вретеното C
- Подесување на длабочината на сечењето (0-57 мм) <sup>9</sup>

- разлабавете го копчето K
- подигнете/спуштете ја педалата J додека не ја подесите саканата длабочина за сечење, на скалата, со користење на индикаторот на длабочината на сечење L
- затегнете го копчето K
- заради оптимален квалитет на сечењето, сечилото на пилата не би требало да биде подолго од еден заб под работното парче

- Подесување на аголот на сечење (0-45°) <sup>10</sup>

- разлабавете го копчето M
- навалувајте го алатот додека не го подесите саканиот агол на сечење на скалата, со користење на индикаторот на аголот на сечење N
- затегнете го копчето M

**! при косо сечење, длабочината на сечењето не одговара на вредностите на прикажаната скала за длабочина на сечењето**

- Индикатор за подесување на линијата на сечењето P <sup>11</sup>

- за водење на електричниот алат низ саканата линија означена на работното парче
- за прав засек од 0° или за засек со наклон од 45° користете ја соодветната линија на индикаторот

**! шириот дел на нивото би требало да стои а потпирачот на местото каде се работи**

**! широчината на сечењето се определува со широчината на заците на сечилото, а не со широчината на сечилото**

**! секогаш најпрво изведете пробно сечење за да ја проверите вистинската линија на сечењето**

- Вшмукување прашина <sup>12</sup>  
Прицврстете го адаптерот за правосмукалка R на отворот за извлекување на прав Q на пилата со завртката за глава на Phillips  
За користење на правосмукалка
- поврзете го цревото за чистење на правосмукалната со адаптерот за правосмукалка R
- ! никогаш не дозволувајте цревото на правосмукалната да дојде во допир со долниот**

**штитник F или со операцијата на сечење**

Вреќа за прашина

- монтирана вреќа за прашина AC \*HE E  
СТАНДАРДНО ВКЛУЧЕНА

- Работа со алатот

- ставете ја батеријата
- секогаш држете ја задната рачка S цврсто со едната рака, а предната рачка T држете ја цврсто со другата рака
- поставете го електричниот алат со предниот крај на рамното ниво на работното парче

**! проверете заците на пилата да не се закачени на местото каде се работи**

- вклучете ја машината прво со притискање на безбедносниот прекинувач W и потоа повлечете го прекинувачот за активирање V

**! електричниот алат би требало да се наоѓа во полна брзина пред сечилото да дојде во допир со местото каде се работи**

- долниот штитник F автоматски се отвора кога сечилото продира во работното парче (рачно отворете го долниот штитник со помош на лостот G, само за посебни видови засеци, како на пример за засеци со заронување)

**! не применувајте сила врз алатот (применете лесен и континуиран притисок за да избегнете прегревање на врвовите на сечивата)**

- по завршувањето на сечењето, исклучете го алатот со пуштање на прекинувачот за активирање V

**! пред да го подигнете алатот од работното парче, проверете дали е дојдено до целосен прекин на работата на сечилото**

## СОВЕТИ ЗА ПРИМЕНА

- Добрата страна на работното парче секогаш вртете ја надолу, за да обезбедите минимално создавање на деланки.
- Користете само остри сечила за пила од соодветен тип <sup>13</sup>
  - квалитетот на засекот се подобрува со бројот на заците
  - сечилата со карбиден врв остануваат остри 30 пати подолго од обичните сечила
- Напречни засеци/засеци по должината <sup>14</sup>  
Напречните засеци или засеците по должина можат лесно да се изведат со водилката Y.
  - усогласете ја водилката со индикаторот за подесување на линијата на сечењето P од 0° на стапалото
  - вметнете ја водилката Y низ отворите на двете страни на стапалото до саканата ширина и прицврстете ја со копчето Z
- ! осигурете се дека оградата за надолжно и напречно сечење не му пречи на слободното движење на долниот штитник и сечилото на пилата**
- Сечење со заронување <sup>15</sup>
  - поставете ја посакуваната длабочина на сечење
  - навалете го алатот напред со индикаторот за линијата за сечење P израмнет со саканата линија за сечење означена на работното парче
  - отворете го долниот штитник F со користење на лостот G

- непосредно пред сечилото да го допре работното парче, вклучете го електричниот алат и постепено спуштајте го задниот крај на алатот, со користење на предниот крај на нивото како показател
- постепено движете го алатот надолу и нанавпред
- штом сечилото ќе продре во материјалот, пуштете го лостот G

**! НИКОГАШ НЕ ТУРНАЈТЕ ГО АЛАТОТ КОН НАЗАД**

- Сечење на големи плочи 16
- потпрете ја плочата близу до засекот, на подот, основата или работната маса

**! ПОДЕСЕТЕ ЈА ДЛАБОЧИНАТА НА СЕЧЕЊЕТО ТАКА ШТО КЕ СЕЧЕТЕ НИЗ ПЛОЧАТА, А НЕ НИЗ ПОТПОРАТА**

- во случај водилката да не ја овозможува саканата широчина за сечење, со спрега или со клинец закачете рамно парче дрво на работното парче, како водилка, и користете ја десната страна на педалата со оваа водилка 17
- Сечење со шина водилка 19
- \*НЕ Е СТАНДАРДНО ВКЛУЧЕНО
- Употребата на шина водилка овозможува прецизни, рамни, точни засеци, со наклон од 45° или 90°. Пред да го направите првиот пресек со шината водилката, гумениот раб мора да се прилагоди на кружната пила која се користи.
- за рамен засек од 90°, усогласете ја страната со наклон од 90° на шината AD (или страната со наклон од 45° кога правите засек со наклон од 45°) со саканата линија на сечење означена на работното парче.
- цврсто прицврстете ја шината водилката AD на работното парче користејќи ги стегите за шината водилка AE 18 \*НЕ СЕ СТАНДАРДНО ВКЛУЧЕНИ
- турнете ја пилата на шината водилка AD, осигурајте се дека пилата може слободно да се лизга на шината без да се замавнува на страна.
- при поставување на длабочината на сечење земете ја предвид дебелина на шината водилка AD
- водете ја пилата рамномерно со мала брзина низ крајот на шината водилка AD.
- За повеќе информации видете на [www.skil.com](http://www.skil.com)

## ОДРЖУВАЊЕ/СЕРВИСИРАЊЕ

- Оваа машина не е наменета за професионална употреба.
- Секогаш чувајте го алатот чист.
- ! ОТСТРАНЕТЕ ЈА БАТЕРИЈАТА ОД АЛАТОТ ПРЕД ЧИСТЕЊЕ**
- Секогаш одржувајте ја областа околу долниот штитник F 2 чиста (отстранете ги прашината и деланките со раздување со компримиран воздух или со четка).
- Исчистете го сечилото на пилата веднаш по употребата (особено од смола и лепак).
- Доколку алатот и покрај внимателното работење и контрола некогаш откаже, поправката мора да ја изврши некој овластен SKIL сервис за електрични алати.
- испратете го алатот нерасклопен, заедно со сметкопотврдата, до вашиот продавач или најблискиот овластен SKIL сервис (адресите и сервисниот дијаграм за алатот се наведени на [www.skil.com](http://www.skil.com))

- Имајте предвид дека оштетувањето настанато заради преоптоварување или неправилно ракување со алатот не е опфатено со гаранцијата (видете на [www.skil.com](http://www.skil.com) или прашајте го продавачот за условите на гаранцијата на SKIL).

## ЗАШТИТА НА ЖИВОТНАТА СРЕДИНА

Само за земјите од ЕУ

- **НЕ ФРЛАЈТЕ ГИ ЕЛЕКТРИЧНИТЕ АЛАТИ, ДОПОЛНИТЕЛНАТА ОПРЕМА И АМБАЛАЖАТА ЗАЕДНО СО ДОМАШНИОТ ОТПАД**
- според Европската Директива 2012/19/E3 за ослободување од електрична и електронска опрема и нејзина имплементација во согласност со националните закони, електричните алати кои го достигнале крајот на својот животен век мора да бидат собрани посебно и да бидат вратени во објект за рециклирање кој е компатибилен со животната средина
- симболот 6 ќе ве потсети на тоа, кога ќе дојде време да го отстраните
- ! ПРЕД ДА СЕ ФРЛИ БАТЕРИЈАТА ВО ОТПАД, ЗАШТИТЕТЕ ГИ НЕЈЗИНИТЕ ПОЛОВИ ЗА ДА СЕ СПРЕЧИ КРАТОК СПОЈ**

## БУЧАВА / ВИБРАЦИИ

- Измерено во согласност со EN 62841, нивото на звучен притисок на овој алат е 94 dB(A) и нивото на звучна моќност е 102 dB(A) (несигурност K = 3 dB), и вибрацијата <math>2.5 \text{ m/s}^2</math> (триакс векторна сума; несигурност K = 1,5 m/s<sup>2</sup>).
- Нивото на емитување на вибрации кое е наведено на задниот дел на ова упатство е измерено во согласност со стандардизираниот тест даден во EN 62841; може да се користи за да се спореди еден алат со друг, и како првична оценка за изложеноста на вибрации кога се користи алатот за споменатите примени
- користењето на алатот за разни примени, или со различна или неправилно чувана дополнителна опрема, може да доведе до значајно **зголемување** на нивото на изложеност.
- кога алатот е исклучен или кога алатот е вклучен но не врши некаква работа, може да дојде до значително **намалување** на нивото на изложеност.
- ! ЗАШТИТЕТЕ СЕ ОД ЕФЕНТИТЕ НА ВИБРАЦИИТЕ ПРЕКУ ОДРЖУВАЊЕ НА АЛАТОТ И НЕГОВАТА ДОПОЛНИТЕЛНА ОПРЕМА, ОДРЖУВАЊЕ НА ТОПЛИНАТА НА ВАШИТЕ РАЦЕ, И ОРГАНИЗИРАЊЕ НА ВАШАТА РАБОТА**

AL

**Sharrë disk pa karbonçina**

**3551**

**HYRJE**

- Ky mjet është bërë për prerje gjatësore dhe tërthore të drurit me prerje të drejta, si dhe prerje me kënde deri në 45°
- Ky mjet nuk është bërë për përdorim profesional
- Lexojeni dhe ruajeni këtë manual 3



## TË DHËNA TEKNIKE ①

### ELEMENTET E MAKINËS ②

- A Çelësi heksagonal
  - B Vendi i ruajtjes së çelësit heksagonal
  - C Butoni i bllokimit të boshtit
  - D Bulon
  - E Fllanxha
  - F Mbrojtësja e poshtme
  - G Leva për hapjen e mbrojtëses së poshtme
  - H Sipërfaqja e kapjes
  - J Pllaka e këmbës
  - K Çelës për vendosjen e thellësisë së prerjes
  - L Treguesi i thellësisë së prerjes
  - M Doreza për rregullimin e këndit të prerjes
  - N Treguesi i këndit të prerjes
  - P Treguesi i vijës së prerjes
  - Q Porta e nxjerrjes së pluhurave
  - R Përshtatësi i fshesës me korrent
  - S Doreza prapa
  - T Doreza përpara
  - U Shina e rregullatorit
  - V Çelësi i aktivizimit
  - W Çelësi i sigurisë
  - X Disku i pastrimit LED
  - Y Rregullatori paralel
  - Z Çelës për rregullimin e drejtuesit paralel
  - AA Thika e sharrës
  - AB ATreguesi i nivelit të baterisë
  - AC AQese pluhuri\*
  - AD AShina e rregullatorit\*
  - AE AKapëse e shinës së rregullatorit
- \* JO STANDARDE E PËRFSHIRË

## SIGURIA

### PARALAJMËRIME TË PËRGJITHSHME SIGURIE PËR PAJISJEN

**PARALAJMËRIM** Lexoni të gjitha paralajmërimet e sigurisë, udhëzimet, ilustrimet dhe specifikimet e paraqitura me këtë vegël pune. Mosrespektimi i të gjitha udhëzimeve të renditura më poshtë mund të rezultojnë në goditje elektrike, zjarr dhe/ose dëmtime të rënda.

### Ruani të gjitha paralajmërimet dhe udhëzimet për referencë në të ardhmen.

Termi "pajisje elektrike" në paralajmërimet i referohet pajisjes elektrike që përdoret nga priza (me kablo) ose pajisjes elektrike me bateri (pa kablo).

#### 1) SIGURIA E ZONËS SË PUNËS

- a) Mbajeni vendin e punës të pastër dhe të ndriçuar mirë. Zonat e çrregullta ose të errëta janë një ftesë për aksidente.
- b) Mos i përdorni pajisjet elektrike në situata me mundësi shpërthimi, si në prani të lëngjeve, gazeve ose pluhurave të djegshëm. Pajisjet elektrike shkaktojnë shkëndija që mund të ndezin pluhurat ose avujt.
- c) Mbajini fëmijët dhe personat e tjerë larg gjatë

përdorimit të veglës së punës. Tërheqja e vëmendjes mund të shkaktojë humbjen e kontrollit.

#### 2) SIGURIA ELEKTRIKE

- a) **Spinat e veglës së punës duhet të përputhen me prizën. Mos modifikoni kurrë spinën në asnjë mënyrë.** Mos përdorni asnjë spinë përshtatëse me veglat e punës me tokëzim. Spinat e pamodifikuara dhe prizat përshtatëse do të zvogëlojnë rrezikun e goditjes elektrike.
- b) **Shmangni kontaktin trupor me sipërfaqe të tokëzuar si tuba, radiatorë, soba dhe frigoriferë.** Ka një rrezik më të madh të goditjeve elektrike nëse trupi është i tokëzuar.
- c) **Mos ekspozoni veglat e punës në shi ose në kushte me lagështi.** Uji që hyn në veglën e punës do të rritë rrezikun e goditjes elektrike.
- d) **Mos abuzoni me kordonin. Mos e përdorni kurrë kordonin për transportin, tërheqjen ose heqjen e spinës së veglës së punës.** Mbajeni kordonin larg nga nxehtësia, vaji, anët e mprehta ose pjesët që lëvizin. Kordonët e dëmtuar ose e bllokuar rrisin rrezikun e goditjes elektrike.
- e) **Kur përdorni një vegël pune në mjedise të jashtme, përdorni një kordon zgjatues të përshtatshëm për përdorim në mjedise të jashtme.** Përdorimi i një kordoni të përshtatshëm për përdorime në mjedise të jashtme zvogëlon rrezikun e goditjes elektrike.
- f) **Nëse është e pashmangshme përdorimi i një mjeti me korrent në një vend me lagështi, përdorni një pajisje mbrojtëse nga rryma (RCD).** Përdorimi i një RCD pakëson rrezikun e goditjeve elektrike.

#### 3) SIGURIA PERSONALE

- a) **Qëndroni në gatishmëri, shikoni se çfarë po bëni dhe përdorni gjykimin kur përdorni një vegël pune. Mos e përdorni një vegël pune kur jeni i lodhur ose nën ndikimin e ilaçeve, alkoolit ose mjekimit.** Një moment humbje e vëmendjes gjatë përdorimit të veglave të punës mund të shkaktojë dëmtime të rënda personale.
- b) **Përdorni pajisje personale mbrojtëse. Mbani gjithmonë pajisje për mbrojtjen e syve.** Mjetet mbrojtëse, si maska e pluhurit, këpucët e sigurisë kundër rrëshqitjes, kaskat ose kufjet mbrojtëse të përdorura për situata të përshtatshme reduktojnë dëmtimet fizike.
- c) **Parandaloni ndezjen e rastësishme. Sigurohuni që çelësi është në pozicionin fikur para se të lidhni burimin e energjisë dhe/ose baterinë, para se të merrni ose të transportoni pajisjen.** Transportimi i veglave të punës me gishtin në çelës ose aktivizimi i veglave të punës që kanë çelësin të ndezur është një ftesë për aksidente.
- d) **Hiqni çdo çelës ose çelës përshtatës para ndezjes së veglës së punës.** Një çelës i lënë i lidhur me një pjesë rrotulluese të veglës së punës mund të shkaktojë dëmtime personale.
- e) **Mos u zgjasni. Mbani një vendosje të mirë të këmbëve dhe një ekuilibër të mirë në çdo moment.** Kjo gjë bën të mundur një kontroll më të mirë të veglës së punës në situata të papritura.
- f) **Vishuni në mënyrën e duhur. Mos vishni rroba të gjera ose bizhuteri. Mbajini flokët dhe rrobat larg nga pjesët e lëvizshme.** Rrobat e gjera, bizhuteritë ose flokët e gjata mund të kapen te pjesët e lëvizshme.
- g) **Nëse janë ofruar pajisje për lidhjen e pajisjeve të**

**mbledhjes dhe nxjerrjes së pluhurave, sigurohuni që ato të jenë të lidhura dhe të përdoren si duhet.**

Përdorimi i mbledhjes së pluhurave mund të zvogëlojë rreziqet në lidhje me pluhurat.

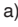
- h) **Mos lejoni që familjarizimi i fituar nga përdorimi i shpeshtë i veglave t'ju bëjë të ndiheni tepër të sigurt në vetvete dhe të shpërfillni parimet e sigurisë për pajisjet.** Një veprim i pakujdesshëm mund të shkaktojë dëmtime të rënda në më pak se një sekondë.
- 4) **PËRDORIMI DHE KUJDESI PËR VEGLËN E PUNËS**
- a) **Mos ushtroni forcë mbi veglën e punës. Përdorni veglën e punës të duhur për përdorimin tuaj.** Vegla e punës e duhur do të realizojë një punë më të mirë dhe më të sigurt dhe me shpejtësinë që ajo është e projektuar.
- b) **Mos përdorni veglën e punës nëse çelësi nuk e ndez apo e fik.** Çdo vegël pune që nuk mund të kontrollohet me anë të çelësit është e rrezikshme dhe duhet të riparohet.
- c) **Shkëputeni spinën nga burimi i energjisë dhe/ose hiqeni paketën e baterisë, nëse është e mundur, nga mjeti me korrent para se të bëni rregullime, ndryshoni aksesorët ose vendosni mjetet me korrent.** Këto masa parandaluese të sigurisë ulin rrezikun e ndezjes aksidentale të veglës së punës.
- d) **Mbani veglat e punës larg fëmijëve dhe mos lejoni personat e pamësura me veglën e punës ose këto udhëzime për përdorimin e pajisjes.** Veglat e punës janë të rrezikshme në duart e përdoruesve të patrajnuar.
- e) **Mirëmbajini veglat me korrent dhe aksesorët. Kontrolloni për mospërshatje ose bllokim të pjesëve lëvizëse, thyerje të pjesëve dhe gjendje të tjera që mund të ndikojnë në funksionimin e veglës së punës.** Nëse dëmtohet, riparoheni veglën e punës para përdorimit. Shumë aksidente shkaktohen nga veglat e punës jo të mirëmbajtura si duhet.
- f) **Mbajini pajisjet prerëse të pastra dhe të mprehta.** Pajisjet e prerjes të mirëmbajtura dhe me anë të mprehta kanë më pak mundësi për t'u bllokuar dhe janë më të lehta për t'u kontrolluar.
- g) **Përdorni veglat e punës, aksesorët dhe puntot, etj. në përputhje me këto udhëzime, duke marrë parasysh kushtet e punës dhe punën që do të kryhet.** Përdorimi i veglave për përdorime të ndryshme nga ato të përcaktuara mund të shkaktojë rreziqe.
- h) **Mbajini dorezat dhe sipërfaqet ku mbaheni të thata, të pastra dhe pa vajra ose graso.** Dorezat dhe sipërfaqet ku mbaheni, kur janë të rrëshqitshme, nuk ju lejojnë ta menaxhoni dhe ta kontrolloni në mënyrë të sigurt pajisjen në situata të papritura.
- 5) **PËRDORIMI DHE KUJDESI PËR VEGLËN ME BATERI**
- a) **Karikojeni vetëm me karikuesin e specifikuar nga prodhuesi.** Një karikues që është i përshtatshëm për një lloj baterie mund të krijojë rrezik për zjarr kur përdoret me një bateri tjetër.
- b) **Përdorni vetëm mjetet me bateri që kanë bateri të krijuara në mënyrë të posaçme për to.** Përdorimi i çdo baterie tjetër mund të krijojë rrezik për dëmtime dhe zjarr.
- c) **Kur bateria nuk është në përdorim, mbajeni larg nga objektet e tjera metalike si kapëset e letrës, monedhat, çelësat, gozhdët, vidat ose objektet e tjera të vogla metalike që mund të bëjnë lidhjen e një terminali me terminalin tjetër.** Bashkimi i

terminalëve së bashku mund të shkaktojë djegie ose zjarr.

- d) **Nëse kushtet janë të papërshtatshme, nga bateria mund të dalin lëngje; shmangni kontaktin.** Nëse kontakti ndodh padashur, shpëlajeni me ujë. Nëse lëngu ju bie në kontakt me sytë, kërkoni ndihmë mjekësore. Lëngu që del nga bateria mund të shkaktojë irritim ose djegie.
- e) **Mos përdorni bateri ose mjete që janë dëmtuar ose modifikuar.** Bateritë e dëmtuara ose të modifikuara mund të shfaqin sjellje të paparashikuara, duke shkaktuar zjarr, shpërthim ose rrezik dëmtimesh fizike.
- f) **Mos e ekspozoni një pako baterish ose një vegël ndaj zjarrit ose temperaturës shumë të lartë.** Ekspozimi ndaj zjarrit ose një temperature mbi 130°C mund të shkaktojë shpërthim.
- g) **Ndiqni të gjitha udhëzimet për karikimin dhe mos e karikoni baterinë ose veglën jashtë gamës së temperaturës që specifikohet tek udhëzimet.** Karikimi i papërshtatshëm ose në temperatura jashtë gamës së specifikuar mund të dëmtojë baterinë dhe të rritë rrezikun për zjarr.
- 6) **SHËRBIMI**
- a) **Shërbimi i veglës së punës duhet të kryhet nga një person i kualifikuar për riparimet duke përdorur vetëm pjesë ndërrimi identike.** Kjo gjë do të sigurojë ruajtjen e sigurisë së veglave të punës.
- b) **Mos u mundoni asnjëherë t'i riparoni bateritë e dëmtuara.** Riparimi i baterive duhet të kryhet vetëm nga prithuesi ose ofruesit e autorizuar të shërbimit.

## UDHËZIME SIGURIE PËR SHARRAT ME DISK PA KARBONÇINA

### UDHËZIME SIGURIE PËR TË GJITHA SHARRAT

- a) ** RREZIK: Mbajini duart larg nga zona e prerjes dhe lama.** Mbajeni dorën e dytë të doreza ndihmëse, ose te trupi i motorit. Nëse sharra mbahet me të dyja duart, nuk është e mundur që të priten prej saj.
- b) **Mos u zgjasni poshtë materialit të punës.** Mbrojtësja nuk mund t'ju mbrojtë nga lama poshtë materialit të punës.
- c) **Rregulloni thellësinë e prerjes sipas trashësisë së materialit të punës.** Poshtë materialit të punës duhet të duket më pak se një dhëmb i plotë i lamës.
- d) **Mos e mbani kurrë materialin e prerjes në duar ose në mes të këmbëve ndërsa prisni.** Sigurojeni materialin i punës në një platformë të qëndrueshme. Është e rëndësishme që ta mbështesni materialin si duhet për të minimizuar ekspozimin e trupit, bllokimin e lamës ose humbjen e kontrollit.
- e) **Kapeni mjetin e punës nga sipërfaqet e izoluar të kapjes, kur kryeni një veprim ku pajisja e prerjes mund të bjerë në kontakt me tela të fshehur.** Kontakti me një tel elektrik do të bëjë që pjesët metalike të ekspozuara të veglës së punës të përcjellin energjinë elektrike dhe të shkaktojnë goditjen e operatorit.
- f) **Kur grisni, përdorni gjithmonë një mbrojtës grisjeje ose një udhëzues me skaj të drejtë.** Kjo gjë përmirëson saktësinë e prerjes dhe zvogëlon mundësinë e bllokimit të lamës.
- g) **Përdorni gjithnjë disqe prerëse me madhësinë dhe**

formën e duhur (diamanti ose të rrumbullakëta) të vrimave. Disqet që nuk përputhen me pajisjen montuese të sharrës do të punojnë në mënyrë josimetrike me qendrën, duke shkaktuar humbje të kontrollit.

- h) **Mos përdorni kurrë rondele ose bulona të dëmtuar ose të pasaktë të lamës.** Rondelet dhe buloni i lamës janë projektuar posaçërisht për sharrën tuaj, për rendiment optimal dhe siguri në përdorim.

## UDHËZIME TË MËTEJSHME SIGURIE PËR TË GJITHA SHARRAT

### SHKAQET E GODITJES MBRAPSHT DHE PARALAJMËRIMET PËRKATËSE

- Goditja e kthimit është një reagim i papritur i një lame të shtrënguar, të bllokuar ose jo të ekuilibruar të sharrës, e cila bën që sharra e pakontrolluar të ngrihet lart duke u shkëputur nga materiali i punës në drejtim të operatorit;
- Kur disku kafshohet ose bllokohet fort nga gjerësia e prerjes, lama ndalon dhe reagimi i motorit e drejton njësinë me shpejtësi në drejtim të operatorit,
- nëse lama ngatërrohet ose është e paekuilibruar në prerje, dhëmbët në anën e pasme të lamës mund të ngulen në sipërfaqen e sipërme të drurit duke bërë që lama të dalë nga gjerësia e prerjes dhe të kërcejë në drejtim të operatorit.

Goditja e kthimit është rezultat i keqpërdorimit të pajisjes dhe/ose procedurave ose kushteve të papërshtatshme të funksionimit dhe mund të shmanget duke ndërmarrë masat paraprake që tregohen poshtë.

- a) **Mbajeni fort sharrën me të dyja duart dhe pozicionini krahët në mënyrë të tillë që t'u rezistoni forcave të goditjes mbrapsht. Poziciononi trupin tuaj në njërin anë të lamës, por jo në një vijë me lamën.** Goditja e kthimit mund të bëjë që sharra të kërcejë prapa por forcat e goditjes së kthimit mund të kontrollohen nga operatori nëse merrn masat paraprake të duhura.
- b) **Kur lama është e bllokuar ose kur ndërprisni prerjen për një arsye, lëshoni çelësin dhe mbajeni sharrën pa lëvizur brenda materialit deri sa lama të ndalojë plotësisht. Mos u përpiqni kurrë që ta hiqni sharrën nga materiali ose ta tërhiqni sharrën prapa kur lama është në lëvizje, përndryshe mund të ndodhë një goditje kthimi.** Kontrolloni dhe kryeni veprime korrigjuese për të eliminuar shkakun e bllokimit të lamës.
- c) **Kur e vini përsëri në punë sharrën të materiali i punës, vendosni lamën e sharrës në qendër të gjerësisë së prerjes dhe kontrolloni që dhëmbët e sharrës të mos jenë kapen të materiali.** Nëse lama e sharrës bllokohet, ajo mund të dalë ose të kthehet prapa nga materiali kur rifilloni punën me sharrën.
- d) **Mbështetini panelet e mëdha për të pakësuar rrezikun që disku të kafshohet dhe të kërcejë.** Panelet e mëdha kanë tendencën të open nën peshën e tyre. Mbështetëset duhet të vendosen poshtë panelit në të dy krahët në afërsi të vijës së prerjes pranë anës së panelit.
- e) **Mos përdorni lama jo të mprehta ose të dëmtuara.** Lamat jo të mprehta ose të vendosura jo mirë krijojnë një gjerësi të ngushtë të prerjes dhe shkaktojnë fërkim të tepërt, bllokim të lamës dhe goditje të kthimit.
- f) **Levat bllokuese rregulluese të pjerrësisë dhe**

thellësisë së lamës duhet të jenë të shtrënguara dhe të sigurta para se të bëni prerjen. Nëse rregullimi i diskut lëviz gjatë prerjes, ai mund të shkaktojë bllokim ose goditje të kthimit.

- g) **Kini shumë kujdes kur sharroni në mure ekzistuese ose zona të tjera të panjohura.** Lama e futur mund të presë objekte që mund të shkaktojnë goditje të kthimit.

### FUNKSIONI I MBROJTËSES SË POSHTME

- a) **Para çdo përdorimi, kontrolloni mbrojtësen e poshtme nëse mbyllet siç duhet. Mos e përdorni sharrën nëse mbrojtësja e poshtme nuk lëviz lirisht dhe nuk mbyllet menjëherë. Mos e shtrëngoni apo lidhni asnjëherë mbrojtësen e poshtme në pozicionin e hapur.** Nëse sharra bie aksidentalisht, mbrojtësja e poshtme mund të deformohet. Ngrijeni mbrojtësen e poshtme me dorezën e tërheqjes dhe sigurohuni që lëviz lirisht dhe nuk prek me lamën ose pjesë të tjera, në të gjitha këndet dhe thellësitë e prerjes.
- b) **Kontrolloni funksionimin e sustës së mbrojtëses së poshtme. Nëse mbrojtësja dhe susta nuk funksionojnë si duhet, ato duhet të riparohen para përdorimit.** Mbrojtësja e poshtme mund të punojë ngadalë për shkak të pjesëve të dëmtuara, depozitave ngjitëse ose grumbullimit të copëve.
- c) **Mbrojtësja e poshtme mund të tërhiqet manualisht vetëm për prerje të veçanta si "prerje me zhytje" dhe "prerje të kombinuara".** Ngrini mbrojtësen e poshtme me anë të dorezës së tërheqjes dhe menjëherë sapo lama të hyjë në material, mbrojtësja e poshtme duhet të lirohet. Për të gjitha sharrimet e tjera, mbrojtësja e poshtme duhet të funksionojë automatikisht.
- d) **Shikoni gjithmonë që mbrojtësja e poshtme të mbulojë lamën para se ta vendosni mbi tryezë ose dyshem.** Disku prerës i pambrojtur në lëvizje do të bëjë që sharra të ecë prapa duke prerë çdo gjë në rrugën e saj. Kini parasysh kohën që i duhet diskut prerës për të ndaluar pasai lëshohet çelësi.

### TË PËRGJITHSHME

- Kjo vegël nuk duhet të përdoret nga personat nën moshën 16 vjeç.
- Kjo vegël nuk është e përshtatshme për prerje në lagështi.
- **Mos punoni me materiale që përmbajnë azbest** (azbesti konsiderohet kancerogjen).
- Pluhurat nga materialet si boja me plumb, disa lloje drurësh, mineralesh dhe metalesh mund të jenë të dëmshme (kontakti ose thithja e pluhurave mund të shkaktojë reagime alergjike dhe/ose sëmundje respiratore për përdoruesin ose personat përreth); **mbani një maskë për pluhurat dhe punoni me një pajisje për heqjen e pluhurave kur mund të lidhet.**
- Disa lloje pluhurash janë klasifikuar si kancerogjene (si pluhuri i lisit dhe i ahut) veçanërisht në ndërthurje me lëndët shtesë për kondicionimin e drurit; **mbani një maskë për pluhurat dhe punoni me një pajisje për heqjen e pluhurave kur mund të lidhet.**
- Respektoni kërkesat kombëtare në lidhje me pluhurat për materialet me të cilat dëshironi të punoni.
- Mos e përdorni këtë sharrë së bashku me një tavolinë sharre.
- Hiqeni baterinë nga pajisja para se të bëni ndonjë rregullim ose të ndërroni ndonjë aksesori.

### AKSESORËT

- SKIL mund të garantojë funksionimin pa probleme të veglës vetëm kur përdoren aksesorët origjinalë.
- Përdorni vetëm aksesorë me një shpejtësi të lejuar që përshtatet të paktën me shpejtësinë më të lartë pa ngarkesë të pajisjes.
- Përdorni vetëm disqe sharre që përkasin me të dhënat karakteristike që tregohen në këto udhëzime përdorimi dhe që janë testuar dhe shënuar sipas EN 847-1.
- Përdorni vetëm tehe sharre me diametër 165 mm dhe një vrimë rrotulluese prej 16 mm.
- Asnjëherë mos përdorni disqe fërkimi/fresibël me këtë disk.

#### PARA PËRDORIMIT

- Shmangni dëmtimet që mund të shkaktohen nga vidat, gozhdat dhe elementet e tjera në materialin e punës; hiqni ato para se të filloni punën.
- Hiqni të gjitha pengesat mbi si dhe poshtë në rrugën e prerjes para se të filloni prerjen.
- **Siguroni materialin e punës** (një material i shtrënguar me një pajisje shtrëngimi ose morsa mbahet në mënyrë më të sigurt se sa me dorë).
- **Përdorni detektorë përkatës për të gjetur linjat e fshehura të shërbimit ose telefononi kompaninë lokale të shërbimeve për ndihmë** (kontakti me linjat elektrike mund të shkaktojë zjarr ose goditje elektrike; dëmtimi i një linje gazi mund të shkaktojë një shpërthim; shpimi i një tubi uji do të shkaktojë dëmtim të pronës ose një goditje elektrike).

#### GJATË PËRDORIMIT

- Niveli i zhurmës gjatë punës mund të kalojë 85 dB(A); mbani mbrojtëse për veshët.
- Mos e përdorni kurrë pajisjen pa sistemin origjinal mbrojtës.
- Mos u përipiqni të prisni materiale shumë të vogla.
- Mos punoni me veglën mbi kokën tuaj.
- Në rast të ndonjë bllokimi ose defekti elektrik ose mekanik, fikeni menjëherë mjetin dhe hiqeni baterinë.

#### PAS PËRDORIMIT

- Kur ta largoni pajisjen, fikeni motorin dhe sigurohuni që të gjitha pjesët lëvizëse të kenë ndaluar plotësisht.
- Pas fikjes së sharrës rrethore, mos e ndaloni kurrë rrotullimin e lamës së sharrës duke ushtruar një forcë anësore.

#### BATERITË

- **Nëse përfshihet bateria, ajo jepet e karikuar pjesërisht** (për të siguruar kapacitet të plotë të baterisë, karikojeni baterinë plotësisht në karikuesin e baterisë para se ta përdorni mjetin për herë të parë)
- **Përdorni vetëm bateritë dhe karikuesit e mëposhtëm me këtë mjet**
  - Bateria SKIL: BR1\*31\*\*\*\*
  - Karikues SKIL: CR1\*31\*\*\*\*
- Mos e përdorni baterinë nëse është e dëmtuar; ajo duhet të zëvendësohet menjëherë.
- Mos e çmontoni baterinë.
- Mos e ekspozoni mjetin/baterinë në shi.
- Lejohet temperatura e ambientit (vegël/karikuesin/bateri):
  - kur karikoni 4...40°C
  - gjatë punës -20...+50°C
  - gjatë magazinimit -20...+50°C

#### SHPJEGIMI I SIMBOLEVE NË MJET

- Lexoni manualin e udhëzimeve para përdorimit
- Bateritë mund të shpërthejnë kur hidhen në zjarr, prandaj mos i digjini bateritë për asnjë arsye
- Ruajeni veglën/karikuesin/baterinë në vende ku

temperatura nuk i kalon 50°C

- Mos i hidhni veglat elektrike dhe bateritë së bashku me mbeturinat shtëpiake

## PËRDORIMI

- Karikimi i baterisë
- ! **lexoni parajlmërimet dhe udhëzimet e sigurisë të dhëna me karikuesin**
- Heqja/vendosja e baterisë ②
- Treguesi i nivelit të baterisë ⑦
  - shtypni butonin tregues të nivelit të baterisë AB për të shfaqur nivelin aktual të baterisë ⑦a
  - ! **kur fillon të pulsojë niveli më i ulët i treguesit të baterisë pasi keni shtypur butonin AB ⑦b, bateria është bosh**
  - ! **kur 2 nivele të treguesit të baterisë fillojnë të pulsojnë pasi keni shtypur butonin AB ⑦c, bateria nuk është brenda temperaturës së lejuar**
- Dritë LED e vijës së hijes ⑧
  - Mjeti është i pajisur me një dritë LED që krijon një vijë hije poshtë mbrojtëses së sipërme.
  - Ajo siguron ndriçim shtesë mbi tehun e sharrës dhe mbi sipërfaqen e materialit të punës.
  - Drita LED lëshon një hije të tehut të sharrës për ta drejtuar veglën te vija e dëshiruar e prerjes që është shënuar në materialin e punës.
  - ! **gjithmonë provojeni në fillim në një material të padobishëm**
  - Drita LED ndizet automatikisht duke e shtypur lehtë çelësin. Fiket automatikisht pas rreth 10 sekondash pasi lëshohet çelësi.
  - ! **drita LED pulson shpejt kur mjeti dhe/ose bateria ngarkohen ose nxehen tepër dhe sensorët e brendshëm e fikin mjetin. Lërimi mjetin të pushojë për pak ose vendosini mjetin dhe baterinë veçmas në një vend të freskët që të ftohen.**
  - ! **drita LED pulson më ngadalë, duke treguar që niveli i karikimit të baterisë është i ulët. Hiqeni baterinë.**
  - Disku X i pastrimit të LED brenda mbrojtëses së sipërme është bërë për të pastruar dritën LED. Kur drita LED zbehet për shkak të tallashit të grumbulluar mbi të, rrotulloni diskun X të pastrimit të dritës LED në çfarëdo drejtimi për të hequr tallashin dhe për ta bërë dritën LED të fortë përsëri.
  - Mbrojtja e baterisë
    - Mjeti fiket papritur ose nuk ndizet kur
      - **ngarkesa është shumë e lartë** --> hiqeni ngarkesën dhe ndizeni përsëri
      - **temperatura e baterisë nuk është brenda nivelit të lejuar të temperaturës prej -20 deri në +50°C** --> 2 nivelet e treguesit të nivelit të baterisë fillojnë të pulsojnë kur shtypni butonin AB ⑦c; prisni derisa bateria të jetë brenda temperaturës së lejuar
      - **bateria është thuhajse bosh (për t'u mbrojtur nga dëmtimi për shkak të shkarkimit të thellë)** --> niveli i ulët i baterisë ose pulsimi për shkak të nivelit të ulët të baterisë ⑦b tregohet në treguesin e nivelit të baterisë kur shtypni butonin AB; karikoni baterinë
    - ! **mos vazhdoni të shtypni çelësin e ndezjes/fikjes pasi pajisja të fiket automatikisht; bateria mund të dëmtohet**
  - Montimi i lamës së sharrës ②

## ! hiqeni baterinë nga mjeti

- merrni çelësin gjashtëkëndor A nga vendi B
- shtypni butonin e kyçjes së aksit C dhe mbajeni ndërsa hiqni bulonin D duke rrotulluar çelësin hekzagon A **NË DREJTIM TË AKREPAVE TË ORËS** (= në të njëjtin drejtim që tregohet me shigjetë në diskun e sharrës)

## ! shtypni butonin e kyçjes së aksit C vetëm kur mjeti është i ndaluar plotësisht

- lironi butonin e kyçjes së aksit C
- hiqni flanaxhën E

## ! sigurohuni që sipërfaqet e kapjes H ose flanaxhat të jenë komplet të pastra dhe të drejtohen te disku

- hapni mbrojtësen e poshtme F me levën G dhe mbajeni ndërsa montoni diskun me dhëmbë, dhe shigjeta e printuar në diskun tregon të njëjtin drejtim si shigjeta në mbrojtësen e poshtme
- lironi mbrojtësen e poshtme F
- montoni flanaxhën E
- shtypni butonin e bllokimit të aksit C dhe mbajeni ndërsa shtrëngoni bulonin D me çelësin hekzagon A 1/8 rrotullim pak më fort se shtrëngimi me gishta (bën të mundur rreshqitje të diskut të sharrës kur has rezistencë të tepërt, duke pakësuar kështu mbingarkesën e motorit dhe kërcimin e sharrës)

- lironi butonin e kyçjes së aksit C
- Rregullimi i thellësisë së prerjes (0-57 mm) ⑨

- lironi çelësin K
- ngrini/ulni këmbëzën J derisa të vendoset thellësia e dëshiruar e prerjes në matës duke përdorur treguesin L të thellësisë së prerjes
- shtrëngoni çelësin K
- për prerje me cilësi optimale, disku nuk duhet të shkojë më shumë se një dhëmb nën materialin e punës

## • Rregullimi i këndit të prerjes (0-45°) ⑩

- lironi çelësin M
- anojeni mjetin derisa të vendoset këndi i dëshiruar i prerjes duke përdorur treguesin N
- shtrëngoni çelësin M

## ! për prerje të pjerrëta, thellësia e prerjes nuk përpunet me vlerën në shkallën e thellësisë së prerjes

## • Treguesi i vijës së prerjes P ⑪

- për drejtimin e veglës në vijën e dëshiruar të prerjes të shënuar në materialin e punës
- për një prerje të drejtë 0° ose të pjerrët 45°, përdorni vijën e treguesit përkatës

## ! pjesa e gjerë e këmbëzës duhet të qëndrojë në pjesën e mbështetur të materialit

## ! gjerësia e prerjes përcaktohet nga gjerësia e dhëmbëzave të lamës dhe jo nga gjerësia e trupit të lamës

## ! bëni gjithmonë prerje provë në fillim për të verifikuar vijën aktuale të prerjes

## • Thithja e pluhurit ⑫

- Vendosni përshtatësin e pastrimit të vakumit R në portin e nxjerrësit të pluhurit Q me vidën me kokë Phillips
- Për përdorimin e fshesës me korrent
- lidhni tubin e fshesës me korrent të adaptorit R i fshesës me korrent

## ! asnjëherë mos lejoni që tubi i fshesës me korrent të pengojë mbrojtësen e poshtme F ose veprimin e prerjes

Qese pluhuri

- vendosni qesen e pluhurit AC \*NUK PËRFSHIHET SI STANDARD

## • Funksionimi i veglës

- montoni baterinë
- mbajeni gjithnjë dorezën e pasme S fort me një dorë dhe dorezën përpara T fort me dorën tjetër
- vendoseni veglën me pjesën e përparme të këmbëzës rrafsh me materialin e punës

## ! sigurohuni që dhëmbëzat e sharrës të mos jenë në kontakt me materialin e punës

- ndizni veglën duke shtypur së pari çelësin e sigurisë W dhe më pas tërhiqni çelësin e aktivizimit V

## ! vegla duhet të arrijë shpejtësinë e plotë para të lama të hyjë në materialin e punës

- mbrojtësja e poshtme F hapet automatikisht kur disku futet në material (hapni mbrojtësen e poshtme manualisht duke përdorur levën G vetëm për prerjet e veçanta, si për shembull prerjet me zhytje)

## ! mos e sforconi pajisjen (ushtroni trysni të lehtë dhe në vazhdim për të shmangur mbinxehjen e majave të thikave)

- pasi të përfundoni prerjen, fikeni mjetin duke liruar çelësin V

## ! sigurohuni që disku të ketë ndaluar plotësisht para se ta hiqni veglën nga materiali i punës

## KËSHILLË PËR PËRDORIMIN

- Vendoseni gjithnjë poshtë anën e mirë të materialit për të garantuar cilfosje minimale
- Përdorni vetëm disqe të mprehta dhe tipin e duhur të tyre ⑬
- cilësia e prerjes përmirësohet nga numri i dhëmbëve
- disqet me maja karbidi qëndrojnë të mprehta deri në 30 herë më gjatë se disqet e zakonshme
- Prerja kryq/prerje gjatësore ⑭
- Prerjet kryq ose prerjet gjatësore janë të thjeshta me rregullatorin paralel Y.
- poziciononi vizën drejtuese me treguesin P të vijës së prerjes 0° në këmbëz
- futni një rregullator paralel Y në vrimat në njërën anë të këmbëzës të gjerësia e dëshiruar dhe fiksojeni me çelësin Z
- ! sigurohuni që mbrojtësja e çarjes të mos pengojë lëvizjen e lirshme të mbrojtëses së poshtme dhe diskut të sharrës
- Prerja me zhytje ⑮
- caktoni thellësinë e dëshiruar të prerjes
- anojeni mjetin përpara me treguesin e vijës së prerjes P të pozicionuar te vija e dëshiruar e prerjes e shënuar në material
- hapni mbrojtësen e poshtme F me levën G
- menjëherë para se lama të futet në material, ndizni veglën dhe ulni gradualisht pjesën e poshtme prapa të veglës duke përdorur fundin e këmbëzës si pikën menteshë
- lëvizni veglën gradualisht poshtë si dhe përpara
- sapo disku të futet në material, lironi levën G
- ! mos e tërhiqni kurrë veglën prapa
- Prerja e paneleve të mëdhenj ⑯
- mbështeteni panelin afër prerjes mbi dysheme, tavolinë ose bango
- ! caktoni thellësinë e prerjes në mënyrë që të prisni panelin por jo pjesën mbështetëse

- nëse drejtuesi paralel nuk lejon gjerësinë e dëshiruar të prerjes, fiksoni ose gozhdoni një copë druri të drejtë te materiali si drejtues, dhe përdorni anën e drejtë të këmbëzës të ky drejtues 17
- Prerja me një hekurudhë udhëzuese 19  
\*JO STANDARDE E PËRFSHIRË  
Përdorimi i një shine drejtuese ofron prerje të drejta, të sakta, qoftë në kënd 45°, qoftë në kënd të pjerrët 90°. Para se të bëni prerjen e parë me shinën drejtuese, buza e gomës duhet të përshtatet me sharrën rrethore të përdorur.
  - për një prerje të drejtë 90°, poziciononi anën e pjerrësisë 90° të shinës AD (ose anën e pjerrësisë 45° kur bëni prerje me pjerrësi 45°) me vijën e dëshiruar të prerjes të shënuar në materialin e punës.
  - fiksoni shinën drejtuese AE fort në materialin e punës duke përdorur kapëset e shinës drejtuese AE 18 \*NUK JANË TË PËRFSHIRA SI STANDARD
  - futeni sharrën në shinën drejtuese AD, sigurohuni që sharra mund të lëvizë lirshëm në shinë pa u lëkundur anash.
  - kur vendosni thellësinë e prerjes, mos harroni të lini vend për trashësinë e shinës drejtuese AD.
  - lëvizini sharrën në mënyrë të njëtrajtshme me ritëm të ngadaltë deri në fund të shinës drejtuese AD.
- Për më shumë informacion, vizitoni [www.skil.com](http://www.skil.com)

## MIRËMBAJTJA / SHËRBIMI

- Ky mjet nuk është bërë për përdorim profesional.
- Mbajeni gjithnjë mjetin të pastër.
- ! **hiqni baterinë nga mjeti para se të pastroni**
- Mbajeni gjithnjë vendin pranë mbrojtëses së poshtme F 2 të pastër (hiqni pluhurin dhe cifat duke fryrë me ajër me kompresion ose me furçë).
- Pastrojeni diskun e sharrës menjëherë pas përdorimit (veçanërisht nga ngjitësi me përzjerje apo i thjeshtë).
- Nëse pajisja ka defekt pavarësisht kujdesit në prodhim dhe procedurat e provave, riparimi duhet të kryhet nga një qendër e shërbimit pas shitjes për veglat e punës të SKIL.
  - dërgoni veglën të çmontuar së bashku me vërtetimin e blerjes te shitësi ose te qendra më e afërt e shërbimit të SKIL (adresat si dhe diagrami i shërbimit i veglës janë të paraqitura në [www.skil.com](http://www.skil.com))
- Kini parasysh se dëmtimet për shkak të mbingarkesës ose manovrimit të papërshtatshëm të veglës janë të përjashtuara nga garancia (për kushtet e garancisë së SKIL vizitoni [www.skil.com](http://www.skil.com) ose pyetni shitësin tuaj).

## MJEDISI

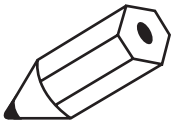
Vetëm për vendet e BE-së

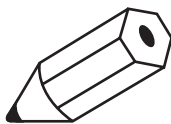
- **Mos i hidhni mjetet elektrike, aksesorët dhe paketimet e tyre bashkë me mbeturinat e zakonshme shtëpiake**
  - në respektim të Direktivës evropiane 2012/19/EC për pajisjet elektrike dhe elektronike si mbetje dhe zbatimin e saj në përputhje me ligjet kombëtare, pajisjet elektrike që kanë arritur në fund të jetëgjatësisë së tyre duhet të mbliidhen të ndara dhe të kthehen në një objekt riciklimi në përputhje me mjedisin
  - simboli 20 do t'ju kujtojë për këtë gjë kur të jetë nevoja për t'i hedhur
- ! **para hedhjes mbroni terminalat e baterisë me**

**ngjitës të fortë për të parandaluar qarkun e shkurtër**

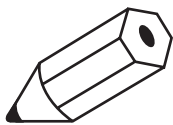
## ZHURMA / VIBRIMI

- I matur sipas EN 62841 niveli i presionit të zhurmës së këtij mjeti është 94 dB(A) dhe niveli i fuqisë së zhurmës është 102 dB(A) (toleranca K = 3 dB), dhe dridhja <math><2.5 \text{ m/s}^2</math> (shuma e vektorit triax; toleranca K = 1.5 m/s<sup>2</sup>).
- Niveli i emetimit të vibrimit është matur në përputhje me një provë të standardizuar të dhënë në EN 62841; ajo mund të përdoret për të krahasuar një vegël me një tjetër dhe si një vlerësim paraprak i ekspozimit ndaj vibrimit kur përdorni pajisjen për proceset e përmendura
  - përdorimi i pajisjes për procese të ndryshme, ose me aksesorë të ndryshëm dhe të mirëmbajtur keq, mund të rritë ndjeshëm nivelin e ekspozimit.
  - kohët kur pajisja është e fikur dhe kur është e ndezur por jo në punë, mund të zvogëlojnë ndjeshëm nivelin e ekspozimit.
- ! **mbroni veten nga efektet e dridhjeve duke mirëmbajtur pajisjen dhe aksesorët e saj, duke i mbajtur duart e ngrorta dhe duke organizuar mënyrën tuaj të punës**









قسمت پشٹی ابزار را با استفاده از انتهای جلوی پایه به عنوان نقطه لولا پایین بیاورید

- به تدریج ابزار را به سمت پایین و همچنین به جلو حرکت دهید

- به محض اینکه تیغه وارد جسم شد، اهرم G را رها کنید

! هرگز ابزار را عقب نکشید

برش ورق‌های بزرگ (11)

- صفحه را نزدیک به برش روی زمین، میز یا میز کار به صورت تکیه‌گاه قرار دهید

! عمق برش را طوری تنظیم کنید که اهرم فقط ورق را ببرد، نه تکیه‌گاه آنرا

- در صورتی که خط‌کش موازی اجازه نمی‌دهد عرض برش دخواه را بدست آورید.

یک تکه چوب صاف را به‌عنوان هدایت‌کننده به قطعه کاری یا گیره یا میخ

متصل کرده، و از سمت راست پایه در مقابل این هدایت‌کننده استفاده کنید

(12)

برش یا ریل راهنما (13)

\* طبق استاندارد نیست

استفاده از ریل راهنما برش دقیق، مستقیم و درست را در برش ارب ۵۴ درجه یا ۰۹

درجه امکان‌پذیر می‌کند.

قبل از انجام اولین برش با ریل خط‌کش، لبه لاستیکی باید با اهر مدور مورد استفاده

تطبیق داده شود.

- برای یک برش مستقیم ۰۹ درجه، سمت ارب ۰۹ درجه ریل AD (یا طرف ارب ۵۴

درجه هنگام برش ارب ۵۴ درجه) را با خط برش دخواه که روی قطعه کار

مشخص شده است، هم‌راستا کنید.

- ریل راهنمای AD را با استفاده از گیره‌های راهنما AE روی قطعه کار محکم

کنید (14) \*شامل استاندارد نیست

- اهر را روی ریل راهنمای AD بلغزانید. مطمئن شوید که اهر می‌تواند بدون اینکه

به طرفین تاب بخورد آزادانه روی ریل بلغزد.

- هنگام تنظیم عمق برش به یاد داشته باشید که ضخامت ریل راهنمای AD را

در نظر بگیرید.

- اهر را به طور یکنواخت با سرعت تغذیه آهسته به سمت انتهای ریل راهنمای

AD هدایت کنید

\* برای اطلاعات بیشتر به [www.skil.com](http://www.skil.com) مراجعه کنید

## نگهداری / سرویس

\* این ابزار برای استفاده حرفه‌ای مناسب نیست.

\* ابزار را همیشه تمیز نگه دارید.

! پیش از تمیز کردن باید باتری را از ابزار جدا کنید

\* همیشه محیط اطراف حفاظ ختانی F (1) را تمیز نگه دارید (گرد و غبار و تراشه‌ها

را با هوای فشرده یا برس تمیز کنید).

\* تیغه اهر را بلافاصله پس از استفاده تمیز کنید (به خصوص از صمغ و چسب).

\* اگر ابزار با وجود مراقبت‌های انجام‌شده در مراحل ساخت و آزمایش خراب شود، باید

توسط مرکز خدمات پس‌ازفروش ابزارهای برقی SKIL تعمیر شود.

- ابزار را به صورت باترینده همراه با رسید خرید به فروشنده یا نزدیک‌ترین مرکز

خدمات رسانی SKIL بفرستید (آدرس‌ها به همراه نموده‌انقشه‌های سرویس ابزار

در [www.skil.com](http://www.skil.com) موجود است)

\* توجه داشته باشید که خرابی و خسارت ناشی از اضافه‌بار یا کار کردن نادرست با

ابزار مشمول ضمانت نخواهند بود (برای اطلاع از شرایط ضمانت SKIL به نشانی

[www.skil.com](http://www.skil.com) مراجعه یا از فروشنده خود سؤال کنید).

## محیط زیست

فقط برای کشورهای اتحادیه اروپا

\* ابزارهای برقی، لوازم جانبی و بسته‌بندی آنها را نباید همراه با زباله‌های عادی خانگی

دور انداخت

- با توجه به مصوبه اروپایی ۲۰۱۲/۱۹/EC اروپا درباره لوازم برقی و الکترونیکی

مستعمل و اجرای این مصوبه مطابق با قوانین کشوری، ابزارهای برقی که به

پایان عمر مفید خود رسیده اند باید جداگانه جمع آوری شده و به یک مرکز

بازیافت مناسب و سازگار با محیط زیست انتقال یابند

- در صورت نیاز به دور انداختن ابزار، نماد (1) آن را به شما یادآوری می‌کند

! قبل از دور انداختن باتری، حتماً باید روی پایانه‌های باتری را با نوار چسب

سنگین بپوشانید تا اتصال کوتاه نکند

## سروصدا / ارتعاش

\* طبق استاندارد EN 1۲۸۴۱، میزان فشار صوتی این ابزار ۴۹ دسی‌ریل (A) و میزان توان

صوتی آن ۲۰۱ دسی‌ریل (A) (عدم قطعیت  $K = 3$  دسی‌ریل)، و میزان ارتعاشات آن کمتر

از ۰،۲ متر/مجدور ثانیه (جمع بردارهای سه جهت؛ عدم قطعیت  $K = 1$ ، ۰،۱ متر/مجدور

ثانیه).

\* میزان انتشار ارتعاشات بر اساس تست استاندارد شده‌ای که در EN 1۲۸۴۱ معرفی شده است اندازه‌گیری گردید؛ از این ارقام می‌توان برای مقایسه یک ابزار با دیگری و به عنوان ارزیابی اولیه در معرض قرارگیری ارتعاشات هنگام کار با ابزار در کاربری‌های فوق استفاده کرد

- استفاده از ابزار برای کاربردهای متفاوت، یا با لوازم و متعلقات متفاوت می‌لوازم و متعلقاتی که بد نگهداری شده‌اند، می‌تواند میزان در معرض قرارگیری را به‌طور قابل‌ملاحظه‌ای افزایش دهد.

- مواقعی که ابزار خاموش است یا روشن است ولی کاری با آن انجام نمی‌شود، میزان در معرض قرارگیری به‌طور قابل‌توجهی کاهش می‌یابد.

! نگهداری مناسب از ابزار و لوازم و متعلقات آن، گرم نگه‌داشتن دست‌های خود، و سازمان دهی الگوهای کاری می‌توانند خود را در برابر اثرات ارتعاش محافظت کنید

- برای نمایش سطح کنونی باتری (V) دکمه نشانگر شارژ باتری AB را فشار دهید
- ! اگر با فشار دادن دکمه BA (V) b، نشانگر پایین‌ترین سطح باتری شروع به چشمک زدن کند، باتری تخلیه شده است
- ! وقتی 2 سطح از نشانگر باتری بعد از فشار دادن دکمه BA (V) c شروع به چشمک زدن کند، باتری در محدوده دمای کاری مجاز نیست
- لامپ LED خط سایه (A)
  - ابزار شما مجهز به یک لامپ LED خط سایه واقع در زیر محافظ بالایی است. این لامپ نور اضافی روی تیفه اره و سطح قطعه کار را فراهم می‌کند.
  - لامپ LED سایه تیفه اره را برای هدایت ابزار روی خط مورد نظر برش مشخص شده در قطعه کار پیش می‌کند.
  - ! همیشه اول روی یک تکه بدرنخور آزمایش کنید
  - لامپ LED به طور خودکار با فشار جزئی کلید ماشه روشن می‌شود. تقریباً ۰.۱ ثانیه پس از رها شدن سوئیچ ماشه نیز خاموش می‌شود.
  - ! هنگامی که ابزار وایا بسته باتری بیش از حد بارگیری یا زیادی داغ شود، لامپ DEL به سرعت چشمک می‌زند و حسگرهای داخلی ابزار را خاموش می‌کنند. ابزار را مدتی استراحت دهید یا ابزار و بسته باتری را جداگانه زیر جریان هوا قرار دهید تا خنک شود.
  - ! لامپ DEL آهسته‌تر چشمک می‌زند تا نشان دهد که سطح شارژ بسته باتری کم است. بسته باتری را شارژ کنید.
- شماره‌گیر تیزکننده LED X تیفه اره در محافظ بالایی برای تمیز کردن لامپ LED طراحی شده است. وقتی نور لامپ LED به دلیل انباشته شدن خاک اره روی آن کم شود، شماره‌گیر تیزکننده X LED را در هر جهتی بچرخانید تا خاک اره تمیز شود و لامپ LED دوباره روشن شود.
- حفاظت از باتری
  - ابزار به طور ناگهانی خاموش می‌شود یا روشن نمی‌شود. وقتی که بار وارده خیلی زیاد است << بار را بردارید و دوباره راه‌اندازی کنید
  - دمای باتری در محدوده دمای کاری مجاز ۰۲- تا ۰۵+ درجه سانتیگراد نیست << ۲ سطح از نشانگر شارژ باتری هنگام فشار دادن دکمه C AB شروع به چشمک زدن می‌کنند؛ صبر کنید تا باتری به محدوده دمای کاری مجاز بازگردد
  - باتری تقریباً تخلیه شده است (برای محافظت در برابر تخلیه عمیق) << یک سطح باتری ضعیف یا سطح باتری ضعیف چشمک‌زن (V) b با فشار دادن دکمه AB روی نشانگر سطح باتری نمایش داده می‌شود؛ باتری را شارژ کنید
  - ! پس از خاموش شدن خودکار، ابزار کلید روشن/خاموش را مرتب فشار ندهید؛ امکان دارد باتری آسیب ببیند
  - سوار کردن تیفه اره AA (1)
    - ! باتری را از ابزار خارج کنید
    - کلید Hگز را از حافظه B بگیرد
    - ضامن قفل‌کننده شفت C را فشرده کنید و آن را حین باز کردن پدج B یا چرخاندن آچار آن را A در جهت حرکت عقربه‌های ساعت (در همان جهتی که پیکان چاپ شده روی تیفه اره نشان می‌دهد) نگه دارید
    - ! ضامن قفل‌کننده شفت C را فقط زمانی فشار دهید که ابزار کاملاً متوقف شده باشد
    - ضامن قفل‌کننده شفت C را آزاد کنید
    - فلنج E را جدا کنید
    - ! مطمئن شوید که سطوح بیست F فلنج‌ها کاملاً تمیز و به سمت تیفه باشند
    - حافظه ختانی F را با اهرم G باز کرده و ضمن اینکه تیفه اره را سوار می‌کنید
    - حفاظت را نگه دارید. دنده‌های تیفه اره و پیکان چاپ‌شده روی تیفه اره باید با پیکان روی حفاظ ختانی هم‌جهت باشد
    - حافظه ختانی F را آزاد کنید
    - فلنج E را سوار کنید
    - ضامن قفل‌کننده شفت C را فشرده کنید و وقتی پدج D را با آچار آلن به اندازه ۱/۸ دور بیشتر از حدی که با دست سفت می‌شود سفت می‌کنید نگه دارید (با این کار از لغزش تیفه اره هنگام روبرو شدن با مقاومت زیاد جلوگیری و بار وارد بر موتور و پس زدن اهرم کاهش می‌یابد)
    - ضامن قفل‌کننده شفت C را آزاد کنید
    - تنظیم عمق برش (۰۰-۷۵ میلی‌متر) (۹)
      - کلید گردان M را شل کنید
      - صفحه پای ل را بالا/پایین کنید تا عمق برش دخواه با استفاده از نشانگر عمق برش L در مقیاس تنظیم شود
      - دستگیره K را سفت کنید
      - برای بهینه شدن کیفیت برش، تیفه برش نباید بیشتر از یک دنده به داخل

قطعه کاری وارد شود

- تنظیم زاویه برش (۰-۵۴ درجه) (۱۰)
  - کلید گردان M را شل کنید
  - ابزار را کج کنید تا زاویه برش دخواه با استفاده از نشانگر N زاویه برش در مقیاس تنظیم شود
  - دستگیره M را سفت کنید
  - ! عمق برش در برش‌های اریب با مقدار روی مقیاس عمق برش یکسان نخواهد بود
  - نشانگر خط برش (۱۱)
    - برای هدایت ابزار در امتداد خط برش موردنظر که روی قطعه کار مشخص شده است
    - برای برش مستقیم ۰ درجه یا برش اریب ۴۵ درجه از خط نشانگر مرتبط استفاده کنید
    - ! بخش عرض پایه باید روی بخش تکیه داده شده قطعه کاری مستقر شود
    - ! عرض برش به عرض دنده‌های تیفه اره و نه عرض خود تیفه بستگی دارد
    - ! همیشه برای بدست آوردن خط اصلی برش چند برش آزمایشی بزنید
    - مکش گرد و غبار (۱۲)
      - آداپتور جاروبرقی R را با پیچ سر فیلیپس به درگاه Q غبارگیر وصل کنید
      - برای استفاده از جاروبرقی
      - شلنگ جاروبرقی را به آداپتور جاروبرقی R وصل کنید
      - هرگز نذارید شلنگ جاروبرقی یا حافظه ختانی F یا عمل برش تداخل پیدا کند
      - کیسه خاکه
      - نصب کیسه گرد و غبار AC شامل استاندارد نیست
      - راه‌اندازی ابزار
        - سوار کردن باتری
        - همیشه دسته عقبی S را محکم با یک دست و دسته جلویی T را محکم با دست دیگر بگیرید
        - ابزار را با انتهای جلویی صاف روی قطعه کار قرار دهید
        - ! مطمئن شوید که دنده‌ها های اره در قطعه کاری درگیر نباشند
        - برای روشن کردن ابزار ابتدا سوئیچ ایمنی W را فشار دهید و سپس کلید استارت V را بکشید
        - ! اول اجازه دهید ابزار به دور کامل خود برسد و بعد تیفه را وارد قطعه کاری کنید
        - حفاظت ختانی F موقعی که تیفه اره وارد قطعه کاری شود. به‌طور خودکار باز خواهد شد (حفاظت ختانی را به‌طور دستی با استفاده از اهرم G فقط برای اجرای برش‌های مخصوص مانند برش‌های عمیق باز کنید)
        - ! به ابزار فشار نیاورید (فشار آرام و پیوسته وارد کنید تا از داغ شدن نوک تیفه جلوگیری گردد)
        - بعد از برش زدن، ابزار را با رها کردن ضامن V خاموش کنید
        - ! قبل از اینکه ابزار را از قطعه کاری جدا کنید، مطمئن شوید که تیفه کاملاً متوقف شده باشد
  - **توصیه‌های کاربردی**
    - همیشه سمت خوب قطعه کاری را پایین قرار دهید تا جدا شدن تراشه از آن به حداقل برسد.
    - فقط از تیفه اره نیز از نوع مناسب استفاده کنید (۱۳)
      - کیفیت برش با تعداد دنده‌ها بهبود می‌یابد
      - تیفه‌هایی با لبه کاربیدی ۰۲ برابر بیشتر از تیفه‌های عادی تیزی خود را حفظ می‌کنند
      - برش‌های مقطعی/برش‌های طولی (۱۴)
        - اجام برش مقطعی یا برش‌های طولی با خاکشش موازی Y آسان است.
        - خط راهنما را با نشانگر خط برش ۰ درجه P روی پایه تراز کنید
        - خاکشش موازی Y را از طریق شنکافها در دو طرف پایه به عرض دخواه وارد و با دستگیره D محکم کنید
        - ! اطمینان حاصل کنید که حصار طولی با حرکت آزاد حفاظ ختانی و تیفه اره تداخلی ایجاد نمی‌کند
        - برش عمیق (۱۵)
          - عمق برش دخواه را تنظیم کنید
          - ابزار را به جلو کج کنید تا نشانگر خط برش P روی خط دخواه برش علامت‌گذاری شده روی قطعه کاری بیفتد
          - حفاظ ختانی F را با اهرم G باز کنید
          - درست قبل از اینکه تیفه وارد قطعه کار شود، ابزار را روشن کنید و به تدریج

می‌ایستد و واکنش حرکتی موتور باعث می‌شود که دستگاه با سرعت به سمت اپراتور برگردد:

- اگر تیغه در برش پیچ و تاب برده‌اش یا از تراز خارج شود. نداننده لبه پشتی تیغه می‌تواند وارد سطح پلاستی چوب شده و باعث شود که تیغه از شکاف برش خارج شده و به سمت اپراتور جهش کند.

پس زدن در نتیجه استفاده غلط و/یا بکارگیری نادرست و یا در شرایطی روی می‌دهد که با رعایت توصیه های ایمنی زیر می‌توان از بروز آن جلوگیری کرد.

ا) آره را محکم با هر دو دست گرفته و بازوهای خود را طوری قرار دهید تا در برابر نیروهای پس زننده مقاومت کنید. بدن خود را در دو طرف تیغه قرار دهید. اما نه در راستای تیغه. پس زدن می‌تواند باعث پرش آره به عقب شود. اما اگر اقدامات احتیاطی مناسب انجام شود. اپراتور می‌تواند نیروهای پس‌زننده را کنترل کند.

ب) هنگامی که تیغه گیر می‌کند یا به هر دلیلی برش قطع می‌شود. ضامن را رها کنید و آره را بی‌حرکت در جسم نگه دارید تا تیغه کاملاً متوقف شود. اگر تیغه هنوز حرکت می‌کند هرگز سعی نکنید آره را از قطعه کاری خارج کرده یا آره را عقب بکشید چون پس خواهد زد. جهت از بین بردن علت گیر کردن قطعه. تحقیق کنید و اقدامات اصلاحی انجام دهید.

ت) هنگام راه‌اندازی دوباره آره در قطعه کاری. تیغه آره را در مرکز شکاف برش قرار دهید و کنترل کنید که نداننده‌های آره با قطعه کاری درگیر نشده باشند. اگر تیغه آره گیر داشته باشد ممکن است در صورت از سر گرفتن کار آره. بلند شود یا از قطعه کاری پس بزند.

ث) برای صفحات بزرگ حائل و تکیه‌گاه قرار دهید تا خطر گیر کردن و پس زدن تیغه به حداقل برسد. صفحات بزرگ معمولاً زیر وزن خود شکم می‌دهند. تکیه‌گاه‌ها باید در زیر صفحه در دو طرف. نزدیک خط برش و نزدیک به لبه صفحه قرار گیرند.

ج) از تیغه‌های خنثی یا آسیب‌دیده استفاده نکنید. تیغه‌هایی که تیز نشده یا به درستی تنظیم نشده‌اند. شکاف باریکی ایجاد می‌کنند که باعث اصطکاک بیش از حد. گیر کردن و پس زدن تیغه می‌شود.

ح) اهرم‌های قفلی عمق تیغه و تنظیم زاویه برش باید پیش از برش محکم شوند. اگر تنظیم تیغه در حین برش جابه‌جا شود. ممکن است باعث گیر کردن و پس زدن شود.

خ) هنگام آره کردن در دیوارهای موجود یا سایر مناطق کور. احتیاط بیشتری به کار ببرید. تیغه بیرون زده ممکن است اجسامی را که می‌توانند باعث پس زدن شوند.

## عملکرد حفاظ ختانی

ا) پیش از هر بار استفاده. بسته شدن صحیح حفاظ ختانی را کنترل کنید. اگر حفاظ ختانی آزادانه حرکت نمی‌کند و بی‌درنگ بسته نمی‌شود یا آره کار نکنید. هرگز حفاظ ختانی را در حالت باز محکم نکنید یا گره نزنید. اگر آره تصادفاً به زمین بیفتد ممکن است حفاظ ختانی خم شود. دوشاخه را بکشید. حفاظ ختانی را

با دسته برگشتی بلند کنید و اطمینان حاصل کنید که آزادانه حرکت می‌کند و با هیچ زاویه یا عمق برش یا تیغه یا هیچ بخش دیگری تماس ندارد.

ب) عملکرد فنر حفاظ ختانی را بررسی کنید. اگر حفاظ و فنر به درستی کار نمی‌کنند. قبل از استفاده باید سرویس شوند. حفاظ ختانی ممکن است به دلیل قطعات آسیب دیده. رسوبات چسبناک یا چمغ زباله. کند عمل کند.

ت) حفاظ ختانی باید فقط در برش‌های خاص مانند برش جیبی و برش‌های مرکب به‌طور دستی برگردانده شود. به محض اینکه تیغه وارد قطعه کاری شد.

حفاظ ختانی را با دسته برگشتی بلند کنید. حفاظ ختانی باید آزاد شود. برای اهرم‌های دیگر. حفاظ ختانی باید به‌طور خودکار عمل کند.

ث) پیش از قرار دادن آره روی میز یا کف زمین. همیشه وقت کنید که حفاظ ختانی تیغه را پوشانده باشد. تیغه بدون محافظ رو به پایین باعث می‌شود آره به سمت عقب برود و هر چیزی را که در مسیرش قرار دارد. ببرد. بدانید که قفسه طول می‌کشند تا تیغه پس از رها شدن کلید متوقف شود.

## عمومی

- افراد کمتر از 11 سال نباید با این دستگاه کار کنند.
- این ابزار برای برش جیبی مناسب نیست.
- با مواد حاوی آزیست کار نکنید (آزیست سرطان‌زا است).
- ممکن است گرد و خاکی که از موادی مانند رنگ‌های حاوی سرب. برخی گونه‌های چوب. مواد معدنی و فلزات بلند می‌شود خطرناک باشد (مکن است تماس با این گرد و خاک یا تنفس آنها در کاربرد یا افراد نزدیک به محل کار واکنش‌های حساسیتی و/یا بیماری‌های تنفسی ایجاد کند؛ ماسک مخصوص گرد و خاک بزنید و در صورت امکان از یک وسیله مکش گرد و خاک استفاده کنید.
- برخی از گرد و خاک‌ها (مانند گرد و خاکی که از چوب بلوط یا راش بلند می‌شود) مخصوصاً در مجاورت افزودنی‌های مخصوص چوب. سرطان‌زا هستند؛ ماسک مخصوص گرد و خاک بزنید و در صورت امکان از وسیله مکش گرد و خاک استفاده کنید.

• الزامات ملی مرتبط با گرد و خاک را برای موادی که می‌خواهید با آنها کار کنید رعایت نمایید.

• از این آره در ترکیب یا میز آره استفاده نکنید.

• پیش از انجام هرگونه تنظیمات یا تعویض قطعات جانبی. باتری را از ابزار خارج کنید.

**قطعات جانبی**

- SKIL تنها در صورتی که از لوازم و متعلقات اصلی آن استفاده کنید. عملکرد بدون ایراد را تضمین می‌نماید.

• فقط باید قطعات جانبی با سرعت چرخش مجاز که معادل بالاترین سرعت بدون بار ابزار هستند به کار رود.

• فقط از تیغه آره‌ای استفاده کنید که با مشخصات ارائه‌شده در این دستورالعمل‌های کاربری مطابقت داشته و مطابق EN ۸۴۷-۱ مورد آزمایش و علامت‌گذاری قرار گرفته باشد.

• فقط از تیغه آره با قطر ۵۱ میلی متر و سوراخ دوک ۱۱ میلی متر استفاده کنید.

• هرگز در این ابزار از دیسک‌های تراش‌برش استفاده نکنید.

**قبل از استفاده**

• پیش. میخ و سایر عوامل می‌توانند به قطعه کاری شما آسیب بزنند؛ بنابراین پیش از شروع کار آن‌ها را بردارید.

• قبل از شروع برش. تمام موانع رو و همچنین زیر مسیر برش را بردارید.

• **قطعه کاری را محکم کنید** (اگر قطعه کاری را با گیره‌های جباری یا گیره‌های رومی‌ز ثابت کنید بسیار مطمئن‌تر از گرفتن آن با دست خواهد بود).

• برای پیدا کردن سیم و لوله‌های پنهان از شناساگرهای مناسب استفاده کنید یا با شرکت‌های خدمات محلی تماس بگیرید و از آن‌ها کمک بخواهید (تماس با سیم برقی موجب آتش‌سوزی و برق‌گرفتگی می‌شود؛ آسیب رساندن به لوله گاز سبب انفجار می‌شود؛ سوراخ کردن لوله آب به ساختمان آسیب می‌رساند و موجب خطر برق‌گرفتگی می‌شود).

**حین استفاده**

• میزان صدا هنگام کار ممکن است از ۵۸ دسی‌بل (A) تجاوز کند؛ محافظ گوش بگذارید.

• هرگز از ابزار بدون سیستم حفاظ محافظ اصلی استفاده نکنید.

• سعی نکنید قطعات بسیار کوچک را برش دهید.

• بالای سرب را ابزار نکنید.

• در صورت گیر کردن یا بروز اشکال برقی یا مکانیکی. فوراً ابزار را خاموش و باتری آن را جدا کنید.

**پس از استفاده**

• وقتی ابزار را کنار می‌گذارید. حتماً آن را خاموش و از توقف کامل تمام بخش‌های متحرک آن اطمینان حاصل کنید.

• پس از خاموش کردن آره مدور. هرگز چرخش تیغه آره را با نیروی جانبی وارد بر آن متوقف نکنید.

**باتری**

• باتری ارائه‌شده به‌طور کامل شارژ نیست (برای تضمین ظرفیت کامل باتری باید باتری را پیش از اولین استفاده از دستگاه به‌طور کامل با شارژر باتری شارژ کنید)

• تنها از باتری‌ها و شارژرهای زیر با این ابزار استفاده کنید

- باتری SKIL: BR1۰31\*\*\*\*

- شارژر SKIL: CR1۰31\*\*\*\*

• اگر باتری آسیب دیده بود از آن استفاده نکنید؛ باید فوراً آن را تعویض کنید.

• باتری را از هم باز نکنید.

• ابزار/باتری نباید در معرض باران قرار داده شود.

• دمای مجاز محیط (ابزار/شارژر/باتری):

- هنگام شارژ ۰۴...۰۰ درجه سانتی‌گراد

- در حین کار ۰۰...۰۵ درجه سانتی‌گراد

- در طول نگهداری ۰۰...۰۵ درجه سانتی‌گراد

**شرح علائم و نمادهای روی ابزار**

① پیش از کار حتماً دفترچه راهنما را مطالعه کنید

② اگر باتری‌ها در آتش انداخته شوند امکان انفجار آن‌ها وجود دارد. بنابراین هرگز و به هیچ دلیلی باتری را نسوزانید

③ ابزار/شارژر/باتری را در مکانی نگه دارید که دمای آن از ۰۵ درجه سانتی‌گراد تجاوز نمی‌کند

④ ابزار الکتریکی و باتری‌ها را نباید همراه با زباله‌های عادی خانگی دور انداخت

## استفاده

• شارژ کردن باتری

! **هشدارها و دستورالعمل‌های ارائه‌شده همراه شارژر را مطالعه کنید**

• درآوردن یا قرار دادن باتری ①

• نشانگر شارژر باتری ⑤

باشید و از عقل سلیم خود استفاده کنید. به هنگام خستگی یا هنگام مصرف مواد، الکلی یا دارو از ابزار الکتریکی استفاده نکنید. یک خطه غفلت هنگام کار با ابزار الکتریکی می‌تواند سبب وارد آمدن جراحتهای شدید شود. (ب) از تجهیزات ایمنی شخصی استفاده کنید. همواره از عینک ایمنی استفاده کنید. استفاده از تجهیزات ایمنی مانند ماسک تنفسی گرد و غبار، کفش ایمنی ضد لغزش، کلاه ایمنی و گوشی ایمنی متناسب با نوع کار با ابزار خطر مجروح شدن را تقلیل می‌دهد.

(ت) از روشن شدن ناخواسته ابزار جلوگیری کنید. پیش از اتصال به منبع برق ولتاژ یا بسته باطری، برداشتن یا حمل ابزار، اطمینان حاصل کنید که دکمه قطع و وصل در حالت خاموش قرار داشته باشد. در صورتیکه هنگام حمل دستگاه انگشت شما روی دکمه قطع و وصل باشد و یا دستگاه را در حالت روشن به برق برزید، ممکن است سوانح کاری پیش آید.

(ث) پیش از روشن کردن ابزار الکتریکی، هرگونه کلید یا آچار تنظیم‌کننده را بردارید. آچار یا کلیدهایی که روی بخش‌های چرخنده ابزار الکتریکی قرار دارند می‌توانند باعث ایجاد جرحات شوند.

(ج) هنگام کار با ابزار بیش از اندازه بدن خود را نکشید و متمایل نشوید. در همه حال جای پای محکم داشته باشید و تعادل خود را حفظ کنید. به این ترتیب می‌توانید ابزار الکتریکی را در وضعیت‌های غیرمنتظره بهتر تحت کنترل داشته باشید.

(ح) لباس مناسب بپوشید. از پوشیدن لباس‌های گشاد و شل یا زیورآلات خودداری کنید. مو و لباس خود را دور از قطعات متحرک نگاه دارید. احتمال گیر کردن لباس‌های گشاد، زیورآلات یا مو بلند در قطعات متحرک دستگاه وجود دارد.

(خ) در صورتیکه می‌توانید وسایل مکش گرد و غبار و یا وسیله جذب زائده را به دستگاه نصب کنید، باید مطمئن شوید که این وسایل نصب و به شیوه‌ای درست استفاده می‌شوند. استفاده از وسایل مکش گرد و غبار می‌تواند خطرات مربوط به غبار را کاهش دهد.

(د) اجازه ندهید آشنایی و تسلط حاصل از استفاده مکرر از ابزارها باعث شود حس کنید لازم نیست وقت داشته باشید و قوانین ایمنی ابزار را نادیده بگیرید. یک عمل از روی بی‌قرمی می‌تواند در کسری از ثانیه موجب جرحات شدید شود.

(ذ) استفاده و مراقبت از ابزار الکتریکی (ا) از وارد کردن فشار زیاد روی دستگاه خودداری کنید. بری هر کاری، از ابزار الکتریکی مناسب با آن استفاده کنید. به کار گرفتن ابزار الکتریکی مناسب باعث می‌شود بتوانید کار را بهتر و به شیوه‌ای ایمن‌تر و با سرعت طراحی‌شده برای آن انجام دهید.

(ب) یون‌کن هدفافس‌تان را از دوش‌پوش‌ها و شش‌ور دی‌ل‌ک اب رازبنا رگا اب نا ندرک شروماخ و شش‌ور ناکنامک یک ای‌کی‌رت‌کل را زازبا دوش ری‌م‌ع‌ت دی‌اب و شسرا کان‌ز‌رخ، دادران دو جوج دی‌ل‌ک

(ب) قبل از تنظیم ابزار الکتریکی، تعویض متعلقات و یا کنار گذاشتن آن، دوش‌ها را از برق کشید و ولتاژ آن را بررسی کنید. بسته باطری آن را خارج کنید. رعایت این اقدامات پیشگیرانه ایمنی خطر روشن شدن ناخواسته ابزار الکتریکی را کاهش می‌دهد.

(ت) ابزار الکتریکی را در صورت عدم استفاده از دسترس کودکان دور نگه دارید و اجازه ندهید افراد ناوارد و یا اشخاصی که این دفترچه راهنما را نخوانده‌اند، با این دستگاه کار کنند. قرار گرفتن ابزار الکتریکی در دست افراد ناوارد و بی تجربه خطرناک است.

(ث) از ابزار الکتریکی به خوبی نگهداری کنید. وجود هرگونه نامیزبانی یا گره‌خوردگی اجزای متحرک ابزار، شکستگی قطعات و هرگونه وضعیت دیگری که ممکن است بر بروز عملکرد ابزار تأثیر بگذارد را بررسی کنید. در صورت وجود آسیب، پیش از استفاده از ابزار آن را تعمیر کنید. بسیاری از اتفاقات به دلیل عدم نگهداری مناسب از ابزار الکتریکی روی می‌دهد.

(ج) ابزار هرس را نیز و تمیز نگه دارید. ابزار هرسی که خوب مراقبت شده و دارای لابه‌های تیز هستند، کمتر در قطعه کار گیر کرده و بهتر قابل‌هدایت می‌باشند.

(ح) ابزار الکتریکی، متعلقات و دیگر لوازم جانبی آن را مطابق با دستورات این دفترچه و همچنین با در نظر گرفتن شرایط و نوع کار مورد استفاده قرار دهید. استفاده کردن از ابزار الکتریکی برای کارهایی که برای آن طراحی نشده است می‌تواند بسیار خطرناک باشد.

(خ) دسته‌ها و سطوح دستگیرها را خشک، تمیز و عاری از روغن و گریس نگه دارید. در صورت لیز بودن دسته‌ها و سطوح دستگیرها امکان گرفتن و کنترل ایمن ابزار در شرایط غیرمنتظره وجود نخواهد داشت.

(ذ) استفاده و مراقبت از ابزار باطری (ا) باتری‌ها را منحصراً در دستگاه‌هایی شارژ کنید که توسط سازنده توصیه شده باشند. شارژی که برای یک نوع بسته باطری مناسب است، ممکن است اگر برای

شارژ بسته باطری دیگر استفاده شود خطر آتش‌سوزی ایجاد کند. نا آریب هک دی‌ونک هدفافس‌ای‌ای‌م‌ی‌رت‌اب را اهن‌ت، کی‌رت‌کل را زازبا رد دن‌اوت‌م‌ق م‌ر‌ق‌ت‌س‌تم‌ی‌ای‌ر‌ط‌راب را داف‌ت‌س‌ا، نه‌اه‌ش مت‌فرگ رظن رد ددرگ، زی‌وس‌ش‌ت‌ا و ت‌ح‌ا‌ر‌ج ر‌ب‌ن‌م

(ب) در صورت عدم استفاده از باطری باید آن را از اجسام فلزی دیگر، از جمله گیره‌های فلزی، سکه، کلید، پیچ، یا دیگر وسایل کوچک فلزی دور نگه دارید، زیرا برخورد این وسایل می‌تواند باعث ایجاد اتصال شود. ایجاد اتصال بین ترمینال‌های باطری می‌تواند باعث سوختگی یا ایجاد حریق شود.

(ت) استفاده بی‌رویه از باطری می‌تواند باعث خروج مایعات از آن شود؛ در چنین شرایطی از دست زدن به آن خودداری کنید. در صورت تماس اتفاقی با آن، دست خود را با آب بشویید. در صورت تماس با مایع با چشم، به پزشک مراجعه کنید. مایع خارج‌شده از باطری می‌تواند باعث التهاب پوست و سوختگی شود.

(ث) اگر یک بسته باطری یا ابزار آسیب دیده یا دستکاری شده است، نباید از آن استفاده کنید. باتری‌های آسیب‌دیده یا دستکاری‌شده ممکن است منجر به حوادث پیش‌بینی نشده، از جمله آتش‌سوزی، انفجار و جرحات، شوند.

(ج) بسته باطری یا ابزار را در معرض آتش یا دمای بسیار بالا قرار ندهید. قرار دادن در معرض آتش یا دمای بالاتر از ۳۱ درجه سانتیگراد می‌تواند باعث انفجار گردد. تمام دستورالعمل‌های شارژ را رعایت کنید و بسته باطری یا ابزار را در خارج از محدوده دمای ذکرشده در راهنما شارژ نکنید. شارژ نادرست یا شارژ کردن در دمای خارج از محدوده ذکرشده می‌تواند به باطری آسیب برساند و خطر آتش‌سوزی را بالا ببرد.

(ح) خدمات

(ا) برای سرویس ابزار الکتریکی به تعمیرکار ماهر رجوع کنید و تنها از وسایل یدکی یکسان استفاده کنید. این کار باعث خواهد شد که ایمنی ابزار الکتریکی شما تضمین گردد.

(ب) هرگز بسته‌های باطری آسیب‌دیده را سرویس نکنید. عملیات سرویس بسته‌های باطری باید فقط توسط سازنده یا مراکز خدماتی مجاز انجام شود.

دستورالعمل‌های ایمنی برای آره‌مور بدون برس

دستورالعمل‌های ایمنی برای همه اره‌ها

(ا) خطر: دست‌ها را از ناحیه برش و تیغه دور نگه دارید. دست دیگر خود را روی دسته کمکی یا محافظ موتور نگه دارید. اگر اره را با هر دو دست خود بگیرید، تیغه نمی‌تواند دست شما را ببرد.

(ب) به زیر قطعه کار دست نزنید. محافظ نمی‌تواند از شما در برابر تیغه زیر قطعه کار محافظت کند.

(ت) عمق برش را با ضخامت قطعه کار تنظیم کنید. کمتر از یک دانه کامل از دانه‌های تیغه باید در زیر قطعه کار قابل مشاهده باشد.

(ث) هرگز قطعه کاری که می‌خواهید برش بریزید را با دست یا در میان پاهای خود نگه‌دارید. قطعه کاری را به جای ثابتی محکم کنید. پشتیبانی مناسب از کار برای به حداقل رساندن تماس بدنی، اتصال تیغه یا از دست دادن کنترل مهم است.

(ج) در جایی که ممکن است ابزار برش در حین کار با سیم‌های پنهان تماس پیدا کند، ابزار الکتریکی را فقط از دسته و سطوح عایق آن بگیرید. تماس با سیم دارای جریان برق همچنین قطعات فلزی ابزار برقی را در معرض برق قرار می‌دهد و ممکن است موجب برق‌گرفتگی کاربر شود.

(ح) هنگام برش همیشه از یک حصار برش یا خط‌کش صاف لبه استفاده کنید. این کار باعث برش با دقت می‌شود و احتمال اتصال تیغه را کاهش می‌دهد.

(خ) همیشه از تیغه‌هایی با اندازه و شکل سوواخ‌های میانی مناسب ال‌وزی شکل در مقایسه با (گره) استفاده کنید. تیغه‌هایی که با قسمت‌های محل قرارگیری در اره تناسب نداشته باشند خارج از مرکز بوده و کنترل ابزار را از دست شما خارج خواهند ساخت.

(د) هرگز از واشر یا پیچ تیغه معیوب یا ناقص استفاده نکنید. واشر و پیچ تیغه برای عملکرد بهینه و ایمنی کار مخصوص اره شما طراحی شده‌اند.

دستورالعمل‌های ایمنی بیشتر برای همه اره‌ها

دلایل پس زدن ابزار و هشدارهای مربوطه

- پس زدن به حرکت ناگهانی در واکنش به گیر کردن محدود یا همه جانبه یا تراز نبودن تیغه اره باعث می‌شود که گاهتی می‌گردد اره به‌طور غیرقابل کنترلی بلند شده. از قطعه کاری بیرون آمده و به سمت اپراتور برود؛
- اگر تیغه با بسته شدن شکاف گیر کند یا محکم شود، تیغه از حرکت

- قم بارسال الآلة دون تفكيكها بالإضافة إلى إثبات الشراء إلى البائع أو أقرب مركز خدمة SKIL (العناوين بالإضافة إلى مخطط الخدمة متاحان على [www.skil.com](http://www.skil.com))
- كن على علم بأن التلف الناتج عن زيادة التحميل أو التعامل مع الآلة بطريقة خاطئة سيتم استبعاده من الضمان (لعرفة شروط ضمان SKIL انظر [www.skil.com](http://www.skil.com) أو قم بسؤال التاجر).

## البيئة المحيطة

لدول الاتحاد الأوروبي فقط

- لا تتخلص من الآلات الكهربائية والملحقات ومواد التغليف مع النفايات المنزلية
- وفقًا للتوجيه الأوروبي 2012/19/EC الخاص بنفايات المعدات الكهربائية والإلكترونية، وتطويره بالتوافق مع القانون المحلي، يجب جمع الأدوات الكهربائية منتهية الصلاحية بشكل منفصل وإرسالها إلى أحد منشآت إعادة التصنيع المتوافقة مع البيئة
- سيذكر الرمز ① بهذا عند الحاجة إلى التخلص من أية آلة
- ! قبل التخلص من البطارية، قم بحماية أطراف توصيل البطارية بشرط قوي لمنع حدوث دائرة قصر (فصل للدائرة)

## الضوضاء/الاهتزاز

- عند القياس بالتوافق مع المعيار EN 12841، يكون مستوى ضغط صوت هذه الآلة هو 49 ديسيبل (A) ومستوى قوة الصوت هو 201 ديسيبل (A) (نسبة الشكل K = 3 ديسيبل). والاهتزاز: 0,2 م/ثانية<sup>2</sup> (مجموع الكميات الموجهة ثلاثي المحاور؛ نسبة الشكل K=0,1 م/ثانية<sup>2</sup>).
- تم قياس مستوى انبعاثات الاهتزاز بالتوافق مع الاختبار المعياري المحدد في EN 12841؛ يمكن استخدامه لمقارنة آلة بالآلة أخرى وتقييم تهيئتها للتعرض للاهتزاز عند استخدام الآلة في التطبيقات الموضحة
- قد يؤدي استخدام الآلة في تطبيقات مختلفة أو مع ملحقات مختلفة أو ذات صيانة رديئة إلى زيادة مستوى التعرض بصورة كبيرة.
- إن الفترة الزمنية التي يتم خلالها إيقاف تشغيل الآلة أو عندما تكون قيد التشغيل لكنها لا تؤدي أي مهام، قد تؤدي إلى تقليل مستوى التعرض بصورة كبيرة.
- ! قم بحماية نفسك من تأثيرات الاهتزاز من خلال صيانة الآلة وملحقاتها. والحفاظ على يديك داغتين وتنظيم أعناق العمل لديك

FA

## أره مدور بدون برش

3551

## مقدمه

- این ابزار برای برش های طولی و متقاطع خوب با برش های مستقیم و همچنین برش های زاویه ای تا 45 درجه در نظر گرفته شده است.
- این ابزار برای استفاده حرفه‌ای مناسب نیست
- لطفاً این فردنچه را رهنما را مطالعه کنید و نزد خود نگه دارید ①

## داده‌های فنی ①

### اجزای ابزار ②

- A کلید هکسی
- B مخزنی برای آچار آلن
- C ضامن قفل کننده شفت
- D پیچ
- E فلنج
- F حفاظ ختانی
- G اهرم برای باز کردن حفاظ ختانی
- H سطح مهارکننده
- J سطح پایه
- K کلید گردان برای تنظیم عمق برش
- L نشانگر عمق برش
- M مهره تنظیم زاویه برش

- N نشانگر زاویه برش
- P نشانگر خط برش
- Q شلنگ مکش گرد و غبار
- R آداپتور جاروبرقی
- S دسته عقب
- T دسته جلو
- U شکاف ریل راهنما
- V کلید استارت
- W کلید ایمنی
- X شماره‌گیر تمیزکننده DEL
- Y حفاظ برش
- Z دستگیره برای تنظیم خطکش موازی
- AA تیغه اره
- BA نشانگر شارژ باتری
- CA کیسه خاک\*
- DA ریل راهنما
- EA گیره ریل راهنما
- \* طبق استاندارد نیست

## ایمنی

هشدارهای ایمنی عمومی دستگاه

⚠ هشدار تمامی هشدارهای ایمنی، دستورالعملها، تصاویر و مشخصات ارائه شده همراه با این ابزار برقی را مطالعه کنید. در صورت عدم رعایت هشدارهای زیر خطر برق‌گرفتگی، آتش سوزی و یا بروز جراحت‌های شدید وجود دارد.

همه هشدارها و راهنمایی‌ها را برای استفاده آتی نزد خود نگه دارید.

در این هشدارها عبارت "ابزار الکتریکی" به معنی ابزارهای الکتریکی فاقد باتری (با سیم برق) و یا ابزارهای الکتریکی باتری‌دار (شارژی) است.

1) ایمنی محل کار

أ) محیط کار باید تمیز و دارای روشنایی مناسب باشد. محیط کار نامرتب و کم نور می‌تواند باعث سوانح کاری شود.

ب) با ابزار الکتریکی در محیط‌هایی که در آن خطر انفجار وجود دارد، مانند محیط‌های حاوی مایعات، گازها و غبارهای محترقه، کار نکنید. ابزارهای الکتریکی جرقه‌هایی ایجاد می‌کنند که ممکن است غبارها یا بخارها را مشتعل کنند.

ت) در هنگام کار با ابزار الکتریکی، کودکان و اطرافیان را از محل کار دور نگاه دارید. حواس‌پرتی می‌تواند باعث شود کنترل از دستتان خارج شود.

2) ایمنی برق

أ) دوشاخه‌های ابزار الکتریکی باید با پریز همخوانی داشته باشند. دوشاخه را هرگز و به هیچ صورتی تغییر ندهید. برای ابزار ارت‌شده (دارای سیم اتصال به زمین) از دوشاخه‌های تبدیل استفاده نکنید. دوشاخه‌های بدون تغییر و پریزهای سازگار خطر برق‌گرفتگی را کاهش می‌دهند.

ب) از تماس بدنه با سطوح متصل به زمین یا ارت‌شده مانند لوله‌ها، رادیاتورها، اجاق گاز و یخچال اجتناب کنید. اگر بدن شما ارت شود یا به زمین متصل شود خطر برق‌گرفتگی افزایش می‌یابد.

ت) ابزار الکتریکی را در معرض باران یا در محیط‌های مرطوب قرار ندهید. نفوذ آب به ابزار الکتریکی خطر برق‌گرفتگی را افزایش می‌دهد.

ث) به سیم آسیب نرسانید. هرگز از سیم برای حمل، کشیدن یا پیرون آوردن دوشاخه ابزار الکتریکی از پریز استفاده نکنید. سیم ابزار را از گرما، روغن، لیمه‌های تیز و قطعات متحرک دور نگه دارید. سیم‌های آسیب‌دیده یا در هم پیچیده‌شده خطر برق‌گرفتگی را افزایش می‌دهند.

ج) به هنگام کار با ابزار الکتریکی در محیط باز از کابل رابط مناسب برای محیط باز استفاده کنید. استفاده از سیم مناسب برای استفاده در محیط باز خطر برق‌گرفتگی را کاهش می‌دهد.

ح) اگر کار با ابزار الکتریکی در محیطی مرطوب اجتناب‌ناپذیر است، از یک کلید حفاظتی جریان خطا و نشستی زمین (کلید قطع‌کننده اتصال با زمین) استفاده کنید. استفاده از کلید قطع‌کننده اتصال با زمین خطر برق‌گرفتگی را کاهش می‌دهد.

3) رعایت ایمنی اشخاص

أ) هنگام کار با ابزار الکتریکی هشیار باشید، به کاری که می‌کنید دقت داشته

- مفتاح الأنتيكة في اتجاه عقارب الساعة (د في نفس اتجاه السهم المطبوع على شفرة المنشارة)
- لا تقم بدفع زر قفل عمود الدوران إلا في أثناء توقف الآلة عن العمل تماماً
- حرر زر قفل عمود الدوران C
- اخلع الشفة E
- تأكد من أن أسطح التثبيت H للشفة نظيفة تماماً ومتجهة ناحية الشفرة
- افتح الواقي السفلي F باستخدام الذراع G وثبته بينما تقوم بتربكي شفرة المنشار بحيث تكون أسنان المنشار والسهم المطبوع على شفرة المنشار في نفس اتجاه السهم الموجود على الواقي السفلي
- حرر الواقي السفلي F
- قم بتربكي الشفة E
- ادفع زر قفل عمود الدوران C وثبته بينما تقوم بربط المسمار D بمفتاح الأنتيكة A لحوالي ٨/١ دورة بعد استكمال الربط بالإصبع (فهذا يضمن تقيوت شفرة المنشار عند تعرضها لمقاومة زائدة أو عند تعرض المحرك لحمل زائد أو حدوث رد فعل ارتدادي)
- حرر زر قفل عمود الدوران C
- ضبط عمق القطع (٧٥٠٠ مم) ④
- فك البكرة K
- ارفع/اخفض لوح القدم لـ J أن يتم ضبط عمق القطع المرغوب على المقياس باستخدام مؤشر عمق القطع L
- اربط البكرة K
- للحصول على أفضل جودة قطع يجب ألا تمتد شفرة المنشار لأكثر من سن واحدة أسفل قطعة العمل
- ضبط زاوية القطع (٥٤٠٠ درجة) ⑩
- فك البكرة M
- قم بإمالة الآلة إلى أن يتم ضبط زاوية القطع المرغوبة على المقياس باستخدام مؤشر زاوية القطع N
- اربط البكرة M
- عند القطع يعمل مشطوب. فإن عمق القطع لا يتوافق مع القيمة الموضحة على مقياس عمق القطع
- مؤشر خط القطع ⑪
- لتوجيه الآلة على امتداد خط القطع المطلوب الموضح على قطعة العمل للقطع المستقيم بزاوية ٠ درجة أو القطع ميل مشطوب بزاوية ٤٥ درجة. استخدم خط المؤشر المعني
- يجب أن يستتقر الجزء الأخرى من القدم على الجزء المدموم من قطعة العمل
- يتحدد عمق القطع تبعاً لعرض أسنان الشفرة، وليس تبعاً لعرض جسم الشفرة
- قم دائماً بإجراء قطع في البداية للتحقق من خط القطع
- شفط الغبار ⑫
- قم بتربكي مهابئ المكنتسة الكهربائية R في منفذ استخراج الغبار Q باستخدام مسمار براس فيليبس
- لاستخدام المكنتسة الكهربائية
- قم بتوصيل خرطوم المكنتسة الكهربائية بمهابئ المكنتسة الكهربائية R
- لا تسمح مطلقاً بتداخل خرطوم المكنتسة الكهربائية مع الواقي السفلي أو عملية القطع
- حقيبة الغبار
- قم بتربكي حقيبة الغبار AC غير مرفقة مع المنتج
- تشغيل الآلة
- قم بتربكي البطارية
- احرص دائماً على الإمساك بالمقبض الخلفي S بإحكام بإحدى يديك. والمقبض الأمامي T بإحكام باليد الأخرى
- ضع الآلة بحيث يكون الطرف الأمامي للقدم على قطعة العمل
- احرص على عدم احتشاش أسنان المنشار في قطعة العمل
- قم بتشغيل الآلة عن طريق الضغط أولاً على مفتاح الأمان W. ثم سحب المفتاح الزنبركي V
- يجب أن تصل الآلة إلى كامل سرعتها قبل دخول الشفرة في قطعة العمل
- ينفتح الواقي السفلي F تلقائياً عند دخول شفرة المنشار في قطعة العمل (يمكنك فتح الواقي السفلي يدوياً عن طريق استخدام الذراع G. وذلك فقط عند عمل قطوع خاصة. مثل القطع الغائر)
- لا تستخدم القوة المفرطة مع الآلة (استخدم ضغطاً خفيفاً ومستمرًا) لتجنب السخونة المفرطة خوفاً الشفرة)
- بعد إتمام عملية القطع، أوقف تشغيل الآلة عن طريق خريز المفتاح الزنبركي V
- تأكد من توقف الشفرة عن الحركة تماماً قبل رفع الأداة عن قطعة العمل

## نصائح الاستخدام

- قم دائماً بتوجيه الجانب الجيد من قطعة العمل إلى أسفل لضمان أقل تناثر لنفايات النشر.
- استخدم فقط شفرات المنشار الحادة من النوع الصحيح ⑬
- جودة القطع تتحسن بحسب عدد الأسنان
- تبقى الشفرات ذات الأسنان المصنوعة من مادة الكريبيد حادة حتى ٣٠ مرة أكثر من الشفرات العادية
- القطوع العرضية/القطوع الطولية ⑭
- من السهل تنفيذ القطوع العرضية أو القطوع الطولية باستخدام دليل القطع المتوازي Y.
- قم بمحاذاة دليل التوجيه مع مؤشر خط القطع بزاوية ٠ درجة P للوجود بالقاعدة
- أدخل دليل القطع المتوازي Y عبر الفتحات في كلا جانبي القاعدة وصولاً إلى العرض المرغوب. وثبته باستخدام البكرة Z
- تأكد من أن حاجز الشق لا يتداخل مع حرية حركة الواقي السفلي وشفرة المنشار
- القطع الغائر ⑮
- اضبط عمق القطع المطلوب
- قم بإمالة الآلة للأمام بحيث يتحاذى مؤشر خط القطع P مع خط القطع المطلوب الموضح على قطعة العمل
- افتح الواقي السفلي F باستخدام الذراع G
- قبل إدخال الشفرة في قطعة العمل مباشرة، قم بتشغيل الآلة واخلص الجزء الخلفي منها تدريجياً باستخدام الطرف الأمامي من القدم كمنطقة مفصلة
- حرك الآلة للأسفل وللأمام تدريجياً
- بمجرد دخول الشفرة في المادة المراد قطعها، حرر الذراع G
- لا تقم مطلقاً بسحب الآلة إلى الخلف
- قطع الألواح الكبيرة ⑯
- قم بدعم اللوح بالقرب من موضع القطع. سواء على الأرضية أو الطاولة أو منضدة العمل
- اضبط عمق القطع بحيث ينفذ القطع في اللوح وليس في الدعامة
- في حالة عدم تقديم دليل القطع المتوازي لعمق القطع المرغوب، قم بتثبيت قطعة الخشب مشابهة أو مسامير في قطعة العمل كدليل توجيهي.
- واستخدم الجانب الأيمن من القدم عكس اتجاه هذا الدليل ⑰
- القطع مع الاستعانة بفضيب التوجيه ⑱
- غير مرفق مع المنتج
- استخدام فضيب توجيه يحكم قطعاً دقيقة ومستقيمة ومضبوطة. سواء كانت القطوع مائلة بزاوية ٤٥ درجة أو ٩٠ درجة.
- قبل إجراء القطع الأول باستخدام مسار التوجيه، جّب مقاومة الشفة المطاطية مع المنشار المثري المستخدم.
- للقطع المستقيم بزاوية ٠٩ درجة، قم بمحاذاة الجانب المائل بزاوية ٠٩ درجة لسار التوجيه AD (أو الجانب المائل بزاوية ٥٤ درجة عند إجراء قطع مائل بزاوية ٥٤ درجة) مع خط القطع المطلوب المحدد على قطعة العمل.
- ثبت فضيب التوجيه AD بإحكام على قطعة العمل باستخدام مشابه مسار التوجيه AE ⑲ غير مرفق مع المنتج
- قم بتربكي المنشار على فضيب التوجيه AD. وتأكد من أن المنشار يمكن أن يتحرك بحرية على الترضيب من دون التراجع على الجانبين.
- عند ضبط عمق القطع، لا تنس أن تترك مساحة لسنمك لشفرة التوجيه AD.
- قم بتوجيه المنشار بشكل منتظم بمعدل لتقليم بطيء حتى نهاية فضيب التوجيه AD.
- لمزيد من المعلومات، زر موقعنا [www.skil.com](http://www.skil.com)

## الصيانة/الخدمة

- هذه الآلة غير معدة للاستخدام المهني.
- حافظ دائماً على نظافة الآلة.
- أزل البطارية من الآلة قبل التنظيف
- احرص دائماً على إبقاء المنطقة المحيطة بالواقي السفلي F نظيفة (تخلص من الغبار والنشائين عن طريق نفخه بوضحة الهواء المضغوط أو باستخدام فرشاة).
- نظف شفرة المنشار بعد الاستخدام مباشرة (ويجب تنظيفها من الراتين والصمغ بشكل خاص).
- إذا تعذر تشغيل الآلة على الرغم من الحذر الشديد في إجراءات التصنيع والاختبار، فيجب القيام بالإصلاحات بواسطة مركز خدمة ما بعد البيع للالات العاملة بالطاقة الخاصة بشركة SKIL.

ت) يمكن سحب الواقي السفلي للخلف يدويًا فقط لعمل القطوع الخاصة مثل "القطوع العميقة" و"القطوع المضاعفة". ارفع الواقي السفلي بسحب المقبض، وما أن تدخل الشفرة في القطعة، ينبغي خريز الواقي السفلي مرة أخرى. لجميع أعمال القطع الأخرى، ينبغي تشغيل الواقي السفلي تلقائيًا. (ث) احرص دائمًا على تغطية الواقي السفلي للشفرة قبل إزلال المنشار على التضد أو الأرضية. ستتنسب الشفرة غير المحمية والتازلة لأسفل في جعل المنشار يتحرك للخلف. قطعًا في شيء يعترض طريقه، كن على دراية بالوقت اللازم للشفرة حتى تتوقف بعد رفع الأصبع عن المفتاح.

#### عام

- لا يجب استخدام هذه الآلة من قبل الأشخاص الذين يقل عمرهم عن 16 عامًا.
- هذه الآلة غير ملائمة للقطع الرطب.
- لا تستخدم المنشار على مواد تشتمل على الأسبستوس (يعتبر الأسبستوس مادة مسرطنة).
- الغبار الناتج من المواد الكائلاة الذي يحتوي على رصاص وبعض أنواع الأخشاب والعمان والكوبالت المعدنية قد يكون ضارًا (ملاصقة أو استنشاق الغبار قد تتسبب في إصابة المتصل أو من يجاوره بأضرار حساسية وأو أمراض الجهاز التنفسي).
- قم بارتداء قناع للغبار مع العمل باستخدام جهاز شفط للغبار. طالما أمكن توصيله.
- ثمة أنواع معينة من الغبار تصنف على أنها مواد مسببة للسرطان (مثل غبار خشب البلوط والرمان). خاصة عند استخدامها مع مواد مضافة لعلاج الخشب: قم بارتداء قناع للغبار مع العمل باستخدام جهاز شفط للغبار. طالما أمكن توصيله.
- التزم بالمتطلبات الوطنية الخاصة بالغبار عند العمل باستخدام المواد المطلوبة.
- لا تستخدم هذا المنشار مع متنتفة النشور.
- احرص على إزالة البطارية من الآلة قبل إجراء أي عمليات ضبط أو تغيير على أي من الملحقات.

#### الملحقات

- تضمن SKIL التشغيل السلس للآلة عند استخدام الملحقات الأصلية فقط.
- استخدم فقط الملحقات بالسرعة المسموح بها. والتي تتوافق على الأقل أعلى سرعة للآلة من دون حمل.
- استخدم فقط شفرات المنشار التي تتوافق مع بيانات المواصفات الموضحة في تعليمات التشغيل هذه والتي تم اختبارها ووسمها كمنتج متوافق مع المعيار EN 1-4E7.
- لا تستخدم سوى شفرات المنشار التي يبلغ قطرها 511 م بحد أقصى وقطر فتحة عوده دوران تبلغ 11 م.
- لا تقم مطلقًا باستخدام أقراص التنجليخ/القطع مع هذه الآلة.

#### قبل الاستخدام

- لتجنب التلف الذي قد تتسبب فيه البرازي والمسامير والعناصر الأخرى الموجودة في القطعة التي تعمل بها، قبل فكهم، قبل بدء العمل.
- قبل بدء القطع، قم بإزالة جميع العوائق التي توجد أعلى وأسفل مسار القطع.
- ثبت قطعة العمل (القطعة التي يتم تثبيتها بمدات تثبيت أو في منجلة تكون ثابتة بشكل أكثر أمانًا عن إمساكها باليد).
- استخدم كاشفات ملائمة للعثور على خط المرافق الخفي أو اطلب شركة المرافق المحلية للحصول على مساعدة (التلامس مع خطوط إمداد الكهرباء قد يؤدي إلى حدوث حروق أو صدمة كهربائية، وتلف خط الغاز قد يؤدي إلى حدوث انفجار؛ واحتراق أنابيب المياه سيتسبب في حدوث ضرر في الممتلكات أو صدمة كهربائية).

#### أثناء الاستخدام

- قد يزيد مستوى الضوضاء أثناء العمل عن 85 ديسيبل(أ)، لذا قم بارتداء واقيات للأذن.
- يحظر نهائيًا استخدام الآلة من دون نظام واقيات الحماية الأصلي.
- لا خالو العمل على القطع صغيرة الحجم للغاية.
- لا تستخدم الآلة فوق مستوى الرأس.
- في حالة حدوث احتشار، أو خلل كهربائي أو ميكانيكي، أوقف تشغيل الآلة فورًا وأزل البطارية.
- بعد الاستخدام
- عند وضع الآلة جانبًا، أوقف تشغيل المحرك وتأكد من توقف جميع الأجزاء المتحركة بشكل تام.
- يعد إيقاف تشغيل المنشار الدائري، لا تقم مطلقًا بإيقاف دوران شفرة المنشار باستخدام قوة خارجية عليها.

#### البطاريات

- البطارية المرفقة -إن وجدت- مشحونة جزئيًا لضمان الحصول على كامل طاقة البطارية. قم بشحن البطارية بالكامل من خلال الشاحن قبل استخدام الآلة للمرة الأولى)
- استخدم البطاريات والشواحن التالية فقط مع هذه الآلة

- بطارية SKIL: BR1\*31 \*\*\*\*
- شاحن SKIL: CR1\*31 \*\*\*\*
- لا تستخدم البطارية إذا تعرضت للتلف؛ ويجب استبدالها على الفور.
- لا تقم بتفكيك البطارية بنفسك.
- لا تقم بتعريض الآلة للبطارية للمطر.
- درجة الحرارة المحيطة للسماح بها (الآلة/الشاحن/البطارية):
- أثناء الشحن ٤٠ إلى ٤٠ درجة مئوية
- أثناء التشغيل ٢٠٠ إلى ٥٠٠ درجة مئوية
- أثناء التخزين ٢٠٠ إلى ٥٠٠ درجة مئوية
- شرح الرموز الموجودة على الآلة
- ④ اقرأ دليل التعليمات قبل الاستخدام
- ④ قد تنفجر البطاريات عندما تتعرض للنار، لذا لا خرق البطارية لأي سبب
- ⑤ قم بتخزين الآلة/الشاحن/البطارية في أماكن لا تتجاوز درجة الحرارة فيها ٥٠ درجة مئوية
- ① لا تتخلص من الآلات الكهربائية والبطاريات مع النفايات المنزلية

#### الاستخدام

- شحن البطارية
- اقرأ إختيرات وتعليمات السلامة المرفقة مع الشاحن
- خلع تركيب البطارية ①
- مؤشر شحن البطارية ⑤
- اضغط على زر مؤشر شحن البطارية AB لعرض مستوى شحن البطارية الحالي
- a ⑤
- عند بدء مستوى الحد الأدنى المؤشر البطارية في الوميض بعد الضغط على الزر b. ⑤. فهذا معناه أن البطارية فارغة الشحن
- عند بدء مستويين من مؤشر البطارية في الوميض بعد الضغط على الزر c. ⑤. فهذا معناه أن البطارية ليست في نطاق درجة حرارة التشغيل المسموح بها
- مصباح خط الخط LED a ⑤
- تم تجهيز تلك مصباح خط ظل LED موجود أسفل الواقي العلوي. وهذا يقدم إضاءة إضافية على شفرة المنشار وسطح قطعة العمل.
- يقوم مصباح LED بإطلاق ظل لشفرة المنشار لتوجيه الآلة على امتداد خط القطع المطلوب الموضح على قطعة العمل.
- قبل الاستخدام، اختبر دائمًا على قطعة خردة
- يتم تشغيل مصباح LED تلقائيًا عن طريق عصر المفتاح الزنبركي برفق. وسينطفئ بعد حوالي ٠.1 ثوان بعد خريز المفتاح الزنبركي.
- سيومض مصباح DEL بسرعة عند تعرض الآلة وأو مجموعة البطارية حمل زائد أو سخونة مفرطة، وستقوم المستشعرات الداخلية بإيقاف تشغيل الآلة. اترك الآلة لتستريح لبعض الوقت أو ضع الآلة ومجموعة البطارية بشكل منفصل تحت مصدر لتدفق الهواء لتبريدهم.
- سيومض مصباح DEL بشكل أبطأ للإشارة إلى أن مستوى شحن مجموعة البطارية منخفض. أعد شحن مجموعة البطارية.
- تم تصميم بكرة تنظيف مصباح (X LED) المدمجة في الواقي العلوي لتنظيف مصباح LED. عندما يصبح ضوء LED خافتًا بسبب نشارة الخشب المتراكمة عليه، قم بتدوير قرص تنظيف مصباح (X LED) في اتجاه إزالة نشارة الخشب وجعل مصباح LED ساطعًا مرة أخرى.
- حماية البطارية
- تتوقف الآلة عن العمل بشكل مفاجئ أو لا يمكن تشغيلها في الحالات التالية
- الحمل زائد للغاية -- تخلس من الحمل وأعد التشغيل
- درجة حرارة البطارية ليست في نطاق درجة حرارة التشغيل المقبولة وهو ٢٠- إلى ٥٠- درجة مئوية -- يبدأ مستويين من مؤشر شحن البطارية في الوميض عند الضغط على الزر AB c. ⑤. انتظر حتى عودة البطارية إلى نطاق درجة حرارة التشغيل المقبولة
- شحن البطارية يكاد يكون فارغًا (للمحاية من التفريغ العميق للشحن) -- يتم عرض مستوى الشحن المنخفض للبطارية أو يومض مستوى شحن البطارية المنخفض ب ⑤ من خلال مؤشر شحن البطارية عند الضغط على الزر AB
- شحن البطارية
- لا تستمر في الضغط على زر التشغيل/الإيقاف بعد توقف الآلة بشكل تلقائي؛ لأن البطارية قد تكون تالفة
- تركيب شفرة المنشار AA ①
- أزل البطارية من الآلة
- أخرج فمضاح الأنكيه A من موضع التخزين B
- اضغط على زر قفل عمود التخزين C وبنته أثناء خلع المسمار D عن طريق إدارة



تخزين الآلات العاملة بالطاقة. إجراءات السلامة الوقائية هذه قد من خطر تشغيل الآلة العاملة بالطاقة بشكل خاطئ.

تحت الآلات العاملة بالطاقة غير المستخدمة بعيداً عن متناول أيدي الأطفال ولا تسمح للأشخاص غير المتدربين على استخدام الآلات العاملة بالطاقة أو على هذه التعليمات بتشغيل الآلة. الآلات العاملة بالطاقة تكون خطيرة في أيدي الأشخاص غير المدربين.

حافظ على الآلات العاملة بالطاقة والمحركات. خُفِّق من عدم محاذاة الأجزاء المتحركة أو ربطها. أو وجود كسور في الأجزاء. أو أي حالة أخرى قد تؤثر على عمل الآلة. إذا كان هناك تلف، فقم بإصلاح الآلة العاملة بالطاقة قبل استخدامها. فالعديد من الحوادث يكون سببها الآلات التي لم تتم صيانتها.

احتفظ بالأدوات القاطعة حادة ونظيفة. الأدوات القاطعة التي تتم صيانتها كما ينبغي للاحتفاظ بحوافها القاطعة حادة تكون أقل عرضة للانحناء وسهل التحكم فيها.

استخدم الآلة والمحركات والقمم وما شابههم وفقاً لهذه التعليمات. مع الأخذ في الاعتبار بظروف العمل والأعمال التي سيتم تنفيذها. قد يؤدي استخدام الآلة في أعمال غير تلك المخصصة لها إلى حوادث خطيرة.

احتفظ بالمقابض وأسطح الإمساك جافة ونظيفة وخالية من الزيوت والشحوم. لأن المقابض وأسطح الإمساك المنزقة لا تمنحك القدرة على التعامل والتحكم الآمنين في الآلة في المواقف غير المتوقعة.

استخدم الآلة العاملة بالبطارية والعناية بها لا تعد شحن الآلة إلا باستخدام الشاحن المحدث بواسطة الشركة الصانعة. فالشاحن الملائم لنوع ما من مجموعات البطارية قد يتسبب في نشوب حريق إذا تم استخدامه مع مجموعة بطارية أخرى.

استخدم الآلات العاملة بالطاقة مع مجموعات البطاريات المخصصة لها فقط. لأن استخدام أي مجموعات بطارية أخرى قد يؤدي إلى التعرض لإصابات أو نشوب حريق.

عند عدم استخدام مجموعة البطارية، احتفظ بها بعيداً عن الأغراض المعدنية الأخرى مثل مشابك الأوراق أو العملات المعدنية أو المفاتيح أو المسامير أو البراغي أو الأغراض المعدنية الصغيرة الأخرى التي قد تتسبب في عمل دائرة قصر (ماس كهربائي) بين أقطاب البطارية. عمل دائرة قصر (ماس كهربائي) بين أطراف البطارية قد يتسبب في حروق أو نشوب حريق.

في حالات التعامل السلي، قد يحدث ارتفاع للسوائل من البطارية؛ لا تلامسه. إذا حدثت ملامسة بشكل عرضي، فاغسلها بالماء. إذا لامس السائل العينين، فاطلب المساعدة الطبية على الفور. السائل الخارج من البطارية قد يتسبب في احتياج الجلد أو حدوث حروق به.

لا تستخدم مجموعة البطارية أو الآلة إذا كانا التالفين أو تم إدخال تعديلات عليهما. لأن البطاريات التالفة أو التي تم تعديلها قد تعمل بشكل غير متوقع، وهو ما قد يؤدي لنشوب حريق أو حدوث انفجار أو خطر التعرض لإصابة.

لا تقم بتعرض مجموعة البطارية أو الآلة للحرق أو درجات الحرارة الزائدة. التعرض لدرجات الحرارة الأعلى من ١٠٣ درجة مئوية قد يؤدي لحدوث انفجار.

اتبع تعليمات الشحن ولا تتسحن مجموعة البطارية أو الآلة في نطاق درجة حرارة خارج النطاق المحدد في التعليمات. قد يؤدي الشحن غير المضبوط أو في درجات حرارة خارج النطاق المسموح به إلى تلف البطارية وخطر نشوب حريق.

الصيانة (١) ينبغي إجراء الصيانة على الآلة بواسطة في إصلاح متخصص باستخدام قطع غيار أصلية مطابقة فقط. فهذا يضمن المحافظة على سلامة الآلة. لا تقم بصيانة مجموعات البطارية التالفة بأي حال من الأحوال. بل ينبغي أن تكون صيانة مجموعات البطارية من خلال الشركة الصانعة أو مقدمي الخدمة المعتمدين فقط.

تعليمات السلامة الخاصة بالمانشيري الدائرية بدون فرش

تعليمات السلامة الخاصة بجميع المانشيري

أ) خطر: احتفظ باليدين بعيداً عن منطقة القطع والشفرة. أبق يدك الأخرى على المقبض الإضافي أو هيكل المحرك، إذا كنت تمسك المنشار بكلتا اليدين. فلن تلحق بهما الشفرة.

ب) لا تضع يديك تحت القطعة التي تعمل عليها. لا يمكن للواقي أن يحجب من الشفرة أسفل القطعة التي تعمل عليها.

ت) عدل عمق القطع بحيث يتناسب مع سمك القطعة التي تعمل عليها. ينبغي ألا يظهر أكثر من سن كامل من أسنان المنشار أسفل القطعة التي تعمل عليها.

ث) لا تمسك قطعة العمل بيديك أو بين ساقك أبداً أثناء القطع. بل ضعها على منصة عمل ثابتة. من المهم عدم العمل كما ينبغي للحد من تعرض الجسم، أو

انتشاء الشفرة. أو فقد التحكم.

ج) أمسك بالآلة العاملة بالطاقة من أسطح الإمساك المعزولة، وذلك عند القيام بأعمال قد تلحق فيها أذى القطع بأسلاك مغمية. التلامس مع سلك تيار «جاري» قد يجعل الأجزاء المعدنية المكشوفة بالآلة «مكهربة»، ويتسبب في إصابة مُشغِّل الآلة بصدمة كهربائية.

ح) عند عمل شق، استخدم دائماً حاجز شق أو دليل توجيه على الحافة. يحسن ذلك من دقة القطع، ويحد من فرصة انتشاء الشفرة.

خ) استخدم دائماً شفرات وبجسم وشكل مناسبين (الموضِع مقابل المستدير) لفتحات التعريشة الشفرتا غير المتوافقة مع تصميم تركيبها بالمنشار. ستتحرك بشكل غير طبيعي متنسبة في فقد السيطرة.

د) لا تستخدم أبداً وردة أو مسمار شفرة تالف أو غير صحيح. وردة ومسمار الشفرة تم تصميمهما خصيصاً للمنشار، وذلك لتحقيق أقصى أداء وسلامة التشغيل.

تعليمات السلامة الإضافية الخاصة بجميع المانشيري

أسباب رد الفعل الارتدادي والتحذيرات ذات الصلة

- رد الفعل الارتدادي هو رد فعل مفاجئ عند انحسار أو انضغاط أو عدم محاذاة شفرة المنشار، وهو ما يتسبب خروج المنشار عن السيطرة بالارتفاع لأعلى والخروج من القطعة التي تعمل عليها في اتجاهك.

- عند انحسار أو انضغاط الشفرة بشكل حاد بسبب الشق، فإن الشفرة تنهار، ورد فعل المحرك يجعل الوحدة تتحرك بسرعة للخلف في اتجاه المستخدم.

- إذا صارت الشفرة منثنية أو غير متحاذية في القطع، فإن الأسنان في الحافة الخلفية للشفرة قد خُفِر في السطح العلوي للخشب مسببة قفز الشفرة خارج الشق وانزادها للخلف في اتجاه المستخدم.

رد الفعل الارتدادي يكون نتيجة لسوء استخدام المنشار، أو اتباع إجراءات أو شروط تشغيل غير صحيحة، ويمكن تجنبها باتخاذ الاحتياطات اللازمة كما هو موضح أدناه.

أ) أمسك بالمقبض بإحكام بكلتا يديك على المنشار مع جعل ذراعيك في وضع مناسب لقائمة بكمي رد الفعل الارتدادي. اجعل جسمك على جانب من جانبي الشفرة، وليس في محاذاتها. قد يتسبب رد الفعل الارتدادي في إرجاع المنشار للخلف، ولكن يمكن التحكم في قوى رد الفعل الارتدادي بواسطة المستخدم إذا تم اتباع الاحتياطات اللازمة.

ب) عند انتشاء الشفرة، أو عند إيقاف القطع لأي سبب من الأسباب، حرر الزر الزنبركي وأمسك المنشار بلا حراك في القطعة التي تعمل عليها حتى تتوقف الشفرة تماماً. لا تحاول أبداً إزالة المنشار من القطعة أو سحب المنشار للخلف بينما الشفرة تتحرك أو عند احتمالية حدوث رد فعل ارتدادي. خُفِّق من المشكلة واتخذ الإجراءات الصحيحة للتحلُّص من سبب انتشاء الشفرة.

ت) عند تصحيح العمل بالمنشار في القطعة، قم بتوسيط شفرة المنشار في الشق بحيث تصادح أسنان المنشار غير المتالفة في المادة. إذا انثنت شفرة المنشار، فقد تقفز لأعلى أو ترسد للخلف من القطعة التي تعمل عليها بعد إعادة تشغيل المنشار.

ث) ادعم الألواح الكبيرة للحد من خطر انحسار الشفرة أو حدوث رد فعل ارتدادي. تميل الألواح الكبيرة إلى الانزواء بفعل وزنها. ينبغي وضع الدعائم تحت اللوح على كلا الجانبين. بالقرب من خط القطع أو بالقرب من حافة اللوح.

ج) لا تستخدم شفرات ضعيفة أو تالفة. الشفرات غير الحادة أو غير المضبوطة كما ينبغي قد نشأ عنها شق ضيق، وهو ما يتسبب في احتكاك زائد وانتشاء الشفرة وحدث رد فعل ارتدادي.

ح) ينبغي ربط ذراع عمق الشفرة وقفل تعديل الحافة المائلة وتأمينها قبل البدء بالقطع. إذا تغير وضع ضبط الشفرة أثناء القطع، فقد يتسبب ذلك في انتشاء الشفرة وحدث رد فعل ارتدادي.

خ) كن حذراً زيادة عند القطع في الجوانب الحالية أو النطاقات غير النافذة الأخرى. قد تقطع الشفرة الناتئة الأشياء التي قد تتسبب في حدوث رد فعل ارتدادي.

وظيفة الواقي السفلي

أ) خُفِّق من إغلاق الواقي السفلي كما ينبغي قبل كل استخدام. لا تقم بتشغيل المنشار إذا كان الواقي السفلي لا يتحرك بحرية وينغلق بشكل فوري. لا تقم بشكل أو يربط الواقي السفلي في الوضع المفتوح. إذا سقط المنشار على الأرض بشكل عرضي، فإن الواقي السفلي قد ينثنى. ارفع الواقي السفلي بالمقبض القابل للشد. وتأكد من حركته بحرية مع عدم ملامسته للشفرة أو أي جزء آخر في جميع زوايا وأعماق القطع.

ب) خُفِّق من عمل زنبرك الواقي السفلي. إذا لم يكن الواقي الزنبركي يعملان كما ينبغي، فينبغي صيانتها قبل الاستخدام. قد يعمل الواقي السفلي ببطء بسبب الأجزاء التالفة أو التراكمات الصمغية أو الرواسب المتراكمة.

المثال في وجود سوائل أو غازات أو غبار قابلة للاشتعال. فقد تتسبب الآلات العاملة بالطاقة في صدور شرارة. والتي قد تتسبب في اشتعال الغبار أو الأبخرة القابلة للاشتعال.

(ت) احتفظ بالأطفال والمشاهدين بعيداً عن موقع استعمال الآلة العاملة بالطاقة. حيث أن الإلهاء قد يجعلك تفقد السيطرة على الآلة.

(٢) السلامة الكهربائية

(أ) ينبغي أن يتوافق قاييس الآلة العاملة بالطاقة مع مقياس التيار لا يجب إدخال تعديلات على القاييس بأي حال من الأحوال. لا تستخدم أي قوابيس مهايئة مع الآلات العاملة بالطاقة المؤرضة. ستؤدي القوابيس غير المعدّاة والمقاييس المتوافقة إلى الحد من خطر حدوث صدمة كهربائية.

(ب) تجنب ملامسة الجسم لأسطح مؤرضة مثل الأنابيب والمشعاع والمواقف والفلاجات. هناك خطر متزايد لحدوث صدمة كهربائية إذا كان جسمك مؤرضاً.

(ت) لا تقم بتعرض الآلات العاملة بالطاقة للمطر أو الأجواء الرطبة. حيث سيؤدي الماء الذي يدخل إلى الآلة العاملة بالطاقة إلى زيادة خطر حدوث صدمة كهربائية.

(ث) لا تعيد بسلك التيار. لا تقم أبداً باستخدام سلك التيار لحمل الآلة العاملة بالطاقة أو سحبها أو فصلها عن التيار. احتفظ بالسلك بعيداً عن مصادر الحرارة أو الزيت أو الجوف الحادة أو الأجزاء المتحركة. تؤدي أسلاك التيار التالفة أو المتشابكة إلى زيادة خطر حدوث صدمة كهربائية.

(ج) عند تشغيل آلة عاملة بالطاقة في مكان خارجي مفتوح. استخدم سلك تمديد ملائم للاستخدام الخارجي. استخدم سلك ملائم للاستخدام الخارجي يحد من خطر حدوث صدمة كهربائية.

(ح) إذا كان لابد من تشغيل الآلة في مكان رطب. فاستخدم مصدر تيار محمي بقاطع تيار متبقي (DCR). يؤدي استخدام قاطع التيار المتبقي إلى الحد من خطر حدوث صدمة كهربائية.

(٣) السلامة الشخصية

(أ) ابق متنبهاً. وانتهبه جيداً لما تفعله. وكن عقلانياً عند تشغيل آلة تعمل بالطاقة. لا تستخدم أداة آلة بالطاقة وأنت مجهد أو تحت تأثير المخدرات أو الكحوليات أو الأدوية. قد تؤدي لحظة من عدم الانتباه أثناء تشغيل الآلات العاملة بالطاقة إلى حدوث إصابات شخصية خطيرة.

(ب) استعن بمعدات الحماية الشخصية. وارتن دائماً أدوات حماية للعينين. سيؤدي استخدام أدوات الحماية كقفاز الغبار أو أحذية السلامة المضادة للانزلاق أو القبعة الصلبة أو أدوات حماية السمع في ظروف مناسبة إلى الحماية من الإصابات الشخصية.

(ت) اصنع بدء تشغيل الآلة غير المتعمد. احرص على أن يكون مفتاح الطاقة في وضع الإيقاف قبل توصيل الآلة بمصدر التيار أو مجموعة البطاريات. أو التقاط الآلة أو حملها. قد يؤدي حمل الآلات العاملة بالطاقة وأصبعك على مفتاح التشغيل أو شحن الآلات العاملة بالطاقة ومفتاح التشغيل في وضع التشغيل إلى وقوع حوادث.

(ث) لا تبي أي مفتاح تعديل أو مفتاح ربط قبل تشغيل الآلة العاملة بالطاقة. قد يؤدي ترك مفتاح ربط أو مفتاح عادي مركباً على جزء دوار بالآلة العاملة بالطاقة إلى وقوع إصابات شخصية.

(ج) لا تقف في مكان تضطر له يدك بعيداً. قف وأنت ثابت ومتوازن في جميع الأوقات. وهو ما يسمح بتحكم أفضل في الآلة العاملة بالطاقة في الظروف غير المتوقعة.

(ح) ارتد الملابس اللانصة. لا ترتد ملابس أو مجوهرات غير ثابتة. احتفظ بشعرك وملابسك بعيداً عن الأجزاء المتحركة. قد تعلق الملابس الفضفاضة أو المجوهرات أو الشعر الطويل في الأجزاء المتحركة.

(خ) إذا تم تقديم أجهزة خاصة بتوصيل أدوات استخراج وجمع الغبار. فاحرص على توصيلها واستخدامها على النحو اللازم. قد يؤدي استخدام جمع الغبار إلى الحد من المخاطر المرتبطة به.

(د) لا تدع الحجرية المكتسبة من الاستخدام التكرار للآلات يجعلك تتعامل دون الانتباه اللازم وتجاهل مبادئ السلامة المتعلقة بالآلة. فقد يتسبب أي إجراء غير مدروس في إصابات خطيرة في جزء من الثانية.

(٤) استخدام الآلة العاملة بالطاقة والعناية بها

(أ) لا تجبر الآلة العاملة بالطاقة على أعمال تفوق قدرتها. استخدم الآلة العاملة بالطاقة للملازم لأعمالك. ستقوم الآلة العاملة بالطاقة للملازم بأداء أعمالك بشكل أفضل وأكثر أماناً بالعدل الذي أعدت له.

(ب) لا تستخدم الآلة العاملة بالطاقة إذا كان مفتاح التشغيل لا يمكن نقله إلى وضع التشغيل أو وضع الإيقاف. أي آلة عاملة بالطاقة لا يمكن التحكم فيها بمفتاح التشغيل تعتبر خطيرة وينبغي إصلاحها.

(ت) افصل القاييس من مصدر التيار، وأو اخلع مجموعة البطاريات. إذا كانت قابلة للخلع. من الآلة العاملة بالطاقة قبل إجراء أي تعديلات أو تغيير ملحقات أو

## مقدمة

- هذه الآلة مخصصة للقطع الطولي والعرضي في الخشب مع عمل قطع مستقيمة بالإضافة إلى قطع زاوية حتى ٥٤ درجة
- هذه الآلة غير معدة للاستخدام المهني
- اقرأ دليل التعليمات هذا واحتفظ به (٣)

## ١ البيانات الفنية

### ٢ مكونات الآلة

A	مفتاح الأتكنيه
B	موضع تخزين مفتاح الأتكنيه
C	زر قفل عمود الدوران
D	مسمار مولوب
E	شفة
F	الواقي السفلي
G	ذراع لفتح الواقي السفلي
H	سطح التثبيت
J	القاعدة السفلية
K	بكرة لضبط عمق القطع
L	مؤشر عمق القطع
M	بكرة لضبط زاوية القطع
N	مؤشر زاوية القطع
P	مؤشر خط القطع
Q	مفخذ استخراج الغبار
R	مهايئ المكبسة الكهربائية
S	المقبض الخلفي
T	المقبض الأمامي
U	فتحة قضيب التوجيه
V	المفتاح الزنبركي
X	مفتاح الأمان
W	بكرة تنظيف مصباح DEL
Y	دليل القطع المنزوي
Z	بكرة لضبط دليل القطع المنزوي
AA	شفره المنشار
BA	مؤشر شحن البطارية
CA	حقيبة الغبار*
DA	قضيب التوجيه*
EA	مشبك قضيب التوجيه*

\* ليست مرفقة بشكل افتراضي

## السلامة

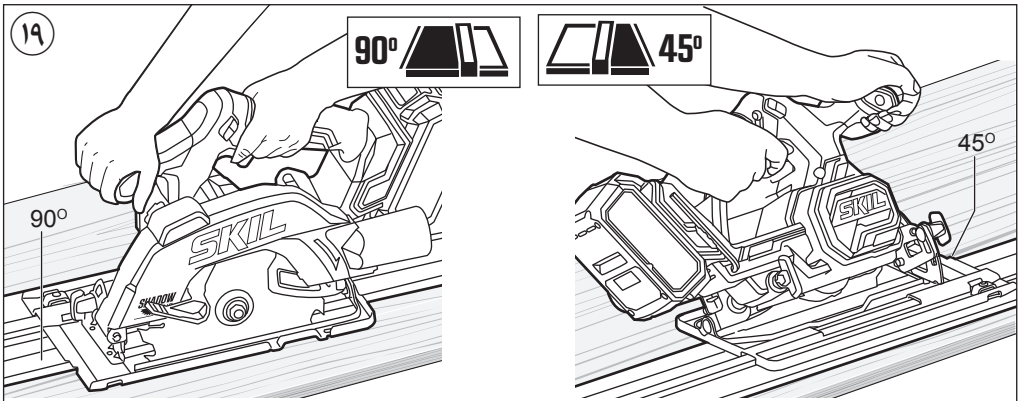
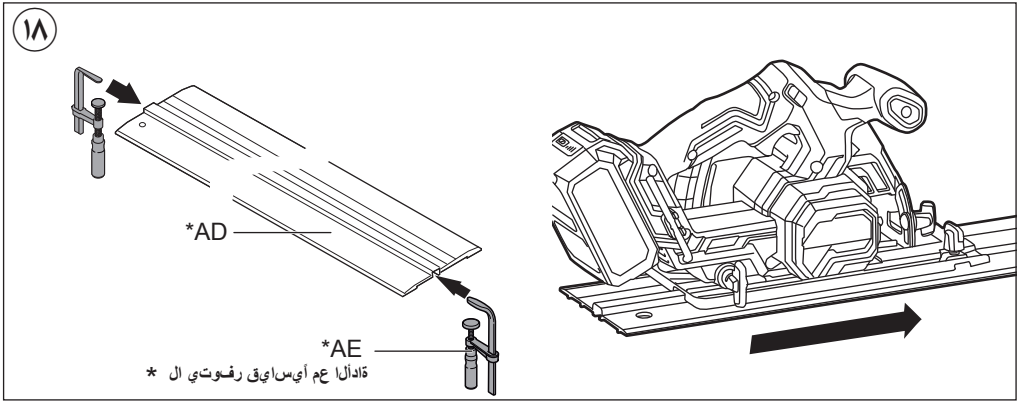
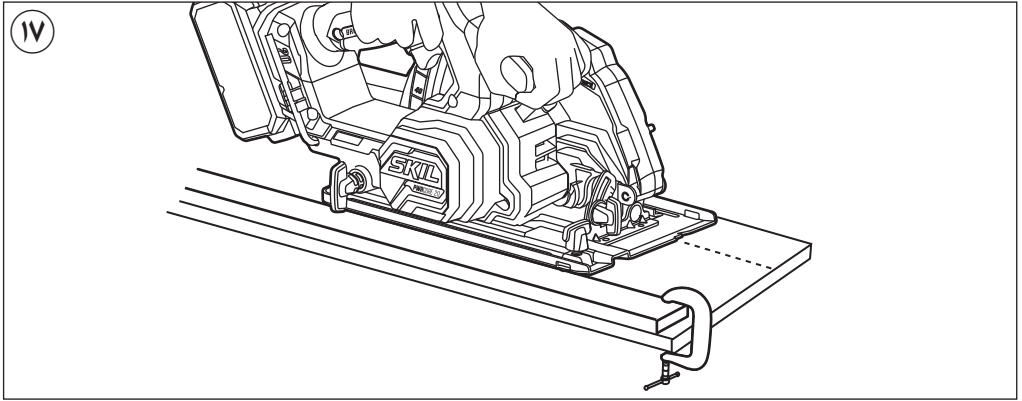
تحذيرات السلامة العامة الخاصة بالآلة

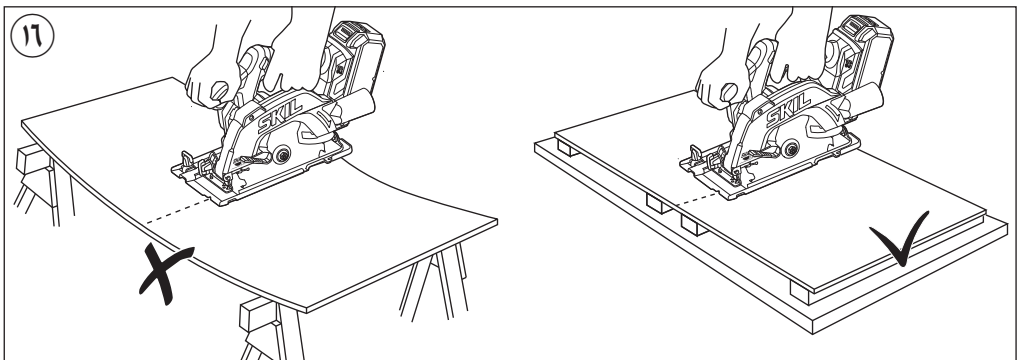
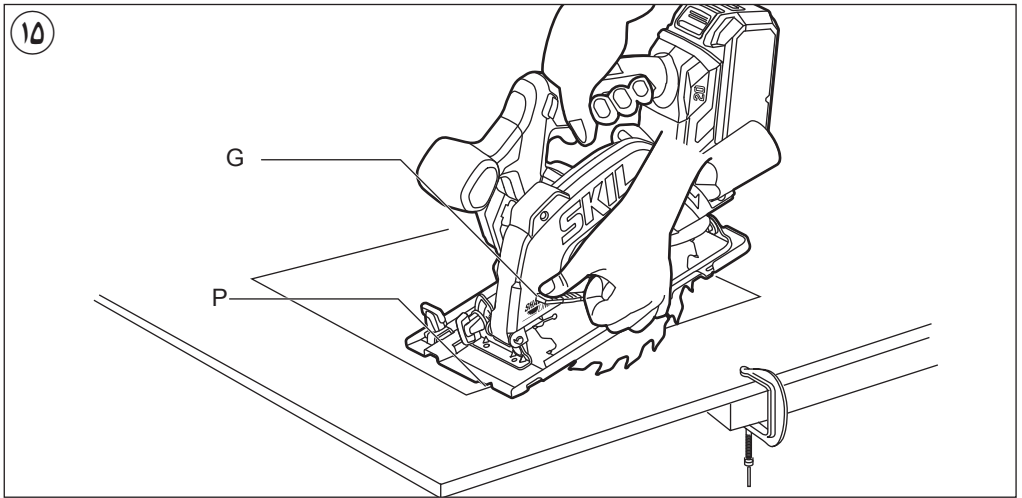
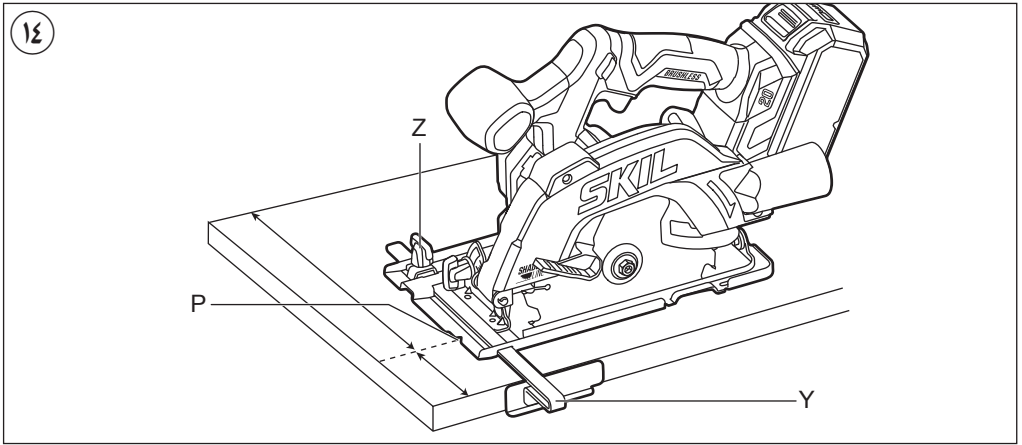
تحذير اقرأ جميع تحذيرات السلامة والتعليمات والرسوم التوضيحية والمواصفات المرفقة مع هذه الآلة. عدم اتباع جميع التعليمات الواردة أدناه قد يؤدي إلى حدوث صدمة كهربائية أو نشوب حريق أو التعرض للإصابة. أحدها أو جميعها.

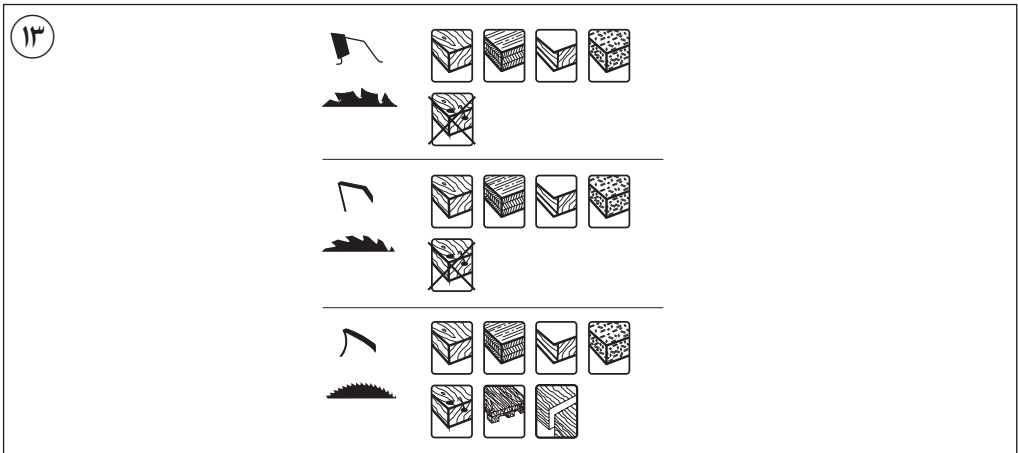
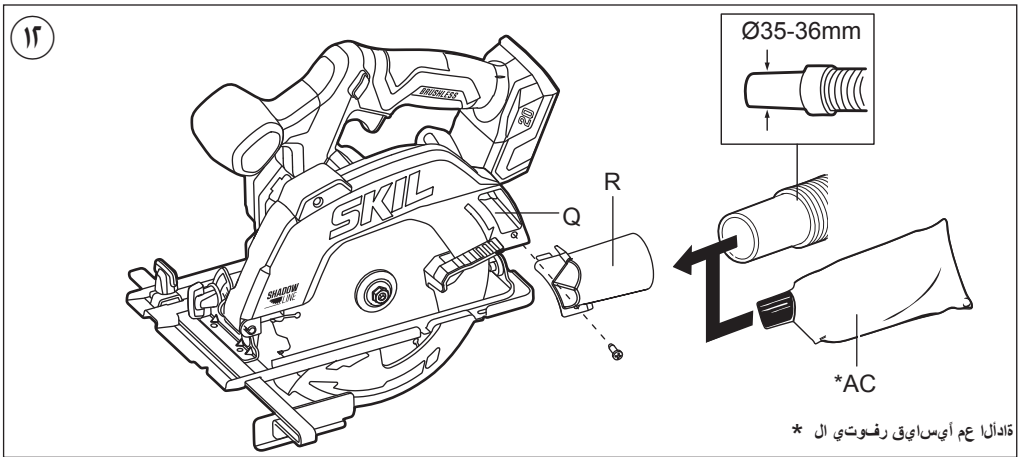
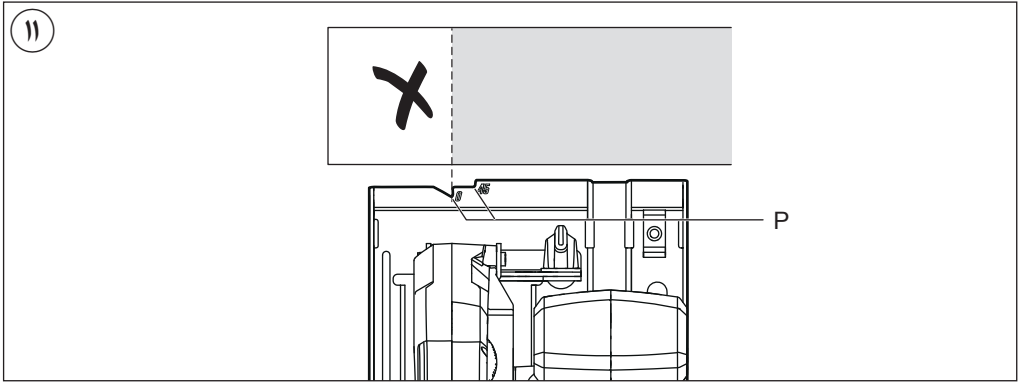
احتفظ بجميع التحذيرات والتعليمات لرجوع إليها في المستقبل.

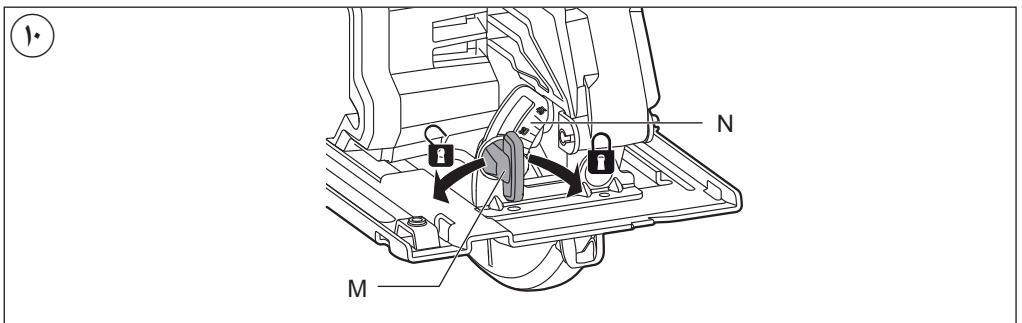
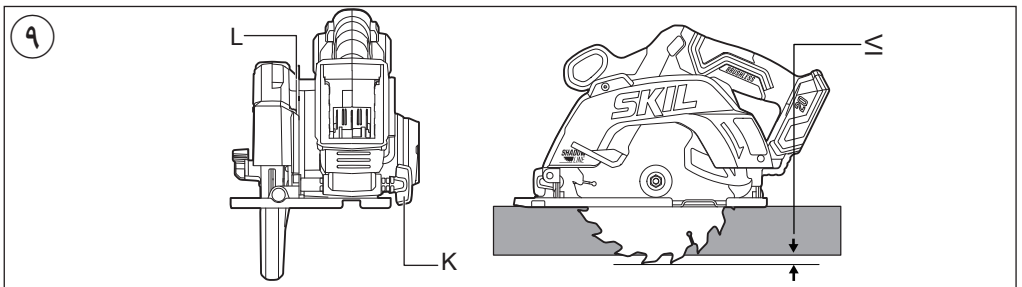
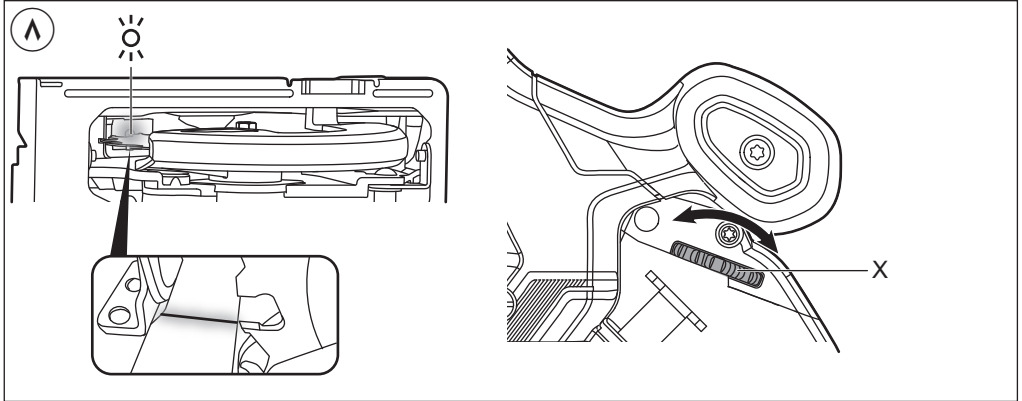
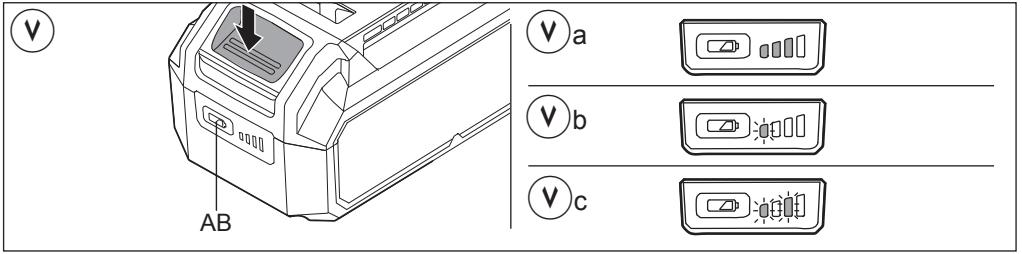
يشير مصطلح "آلة عاملة بالطاقة" في قسم التحذيرات إلى الآلة العاملة بالطاقة (الموصولة بسلك تيار) أو الآلة العاملة بالبطارية (غير الموصولة بسلك تيار).

- (١) سلامة منطقة العمل
- (أ) حافظ على منطقة العمل نظيفة ومضاءة جيداً حيث عادة ما تتسبب المناطق المظلمة أو التي بها ركام إلى وقوع حوادث.
- (ب) لا تقم بتشغيل الآلات العاملة بالطاقة في أجواء قابلة للانفجار. على سبيل









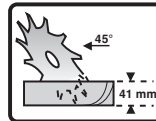
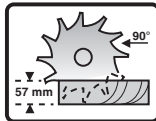
1

3551

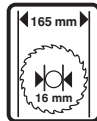
20V Max  
18  
Volt

2,0 Ah  
2,5 Ah  
  
2,9 kg

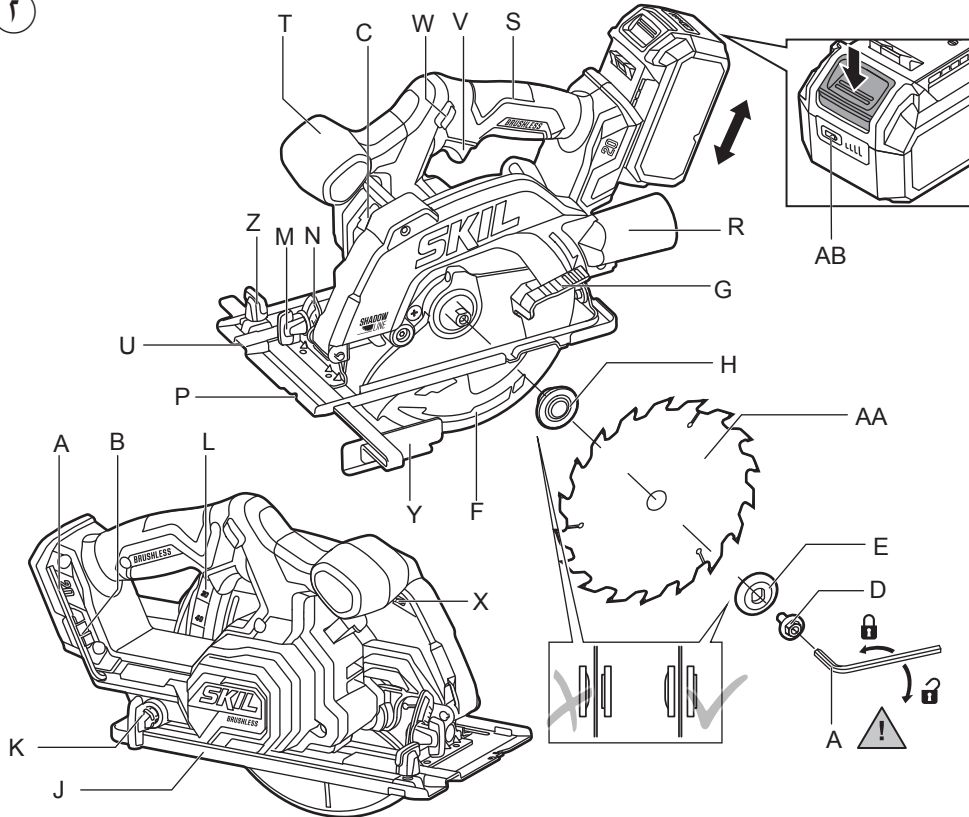
4,0 Ah  
5,0 Ah  
  
3,2 kg



  
n<sub>0</sub>  
5500  
/min



2



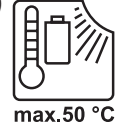
3



4



5

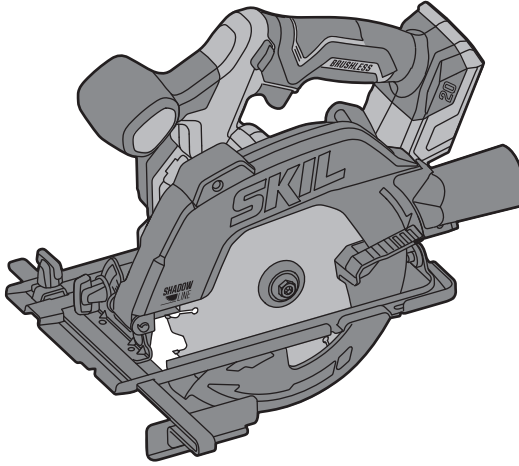


6



منشار دائري بدون فرش  
3551

**SKIL®**



دليل الاستعمال **AR**  
راهنمای اصلي **FA**

