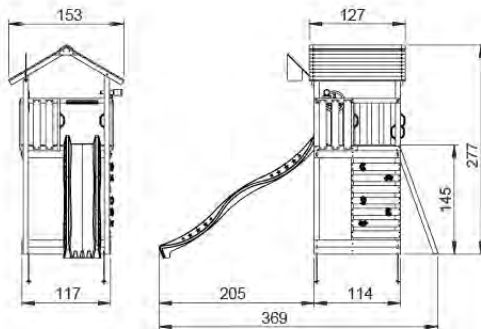
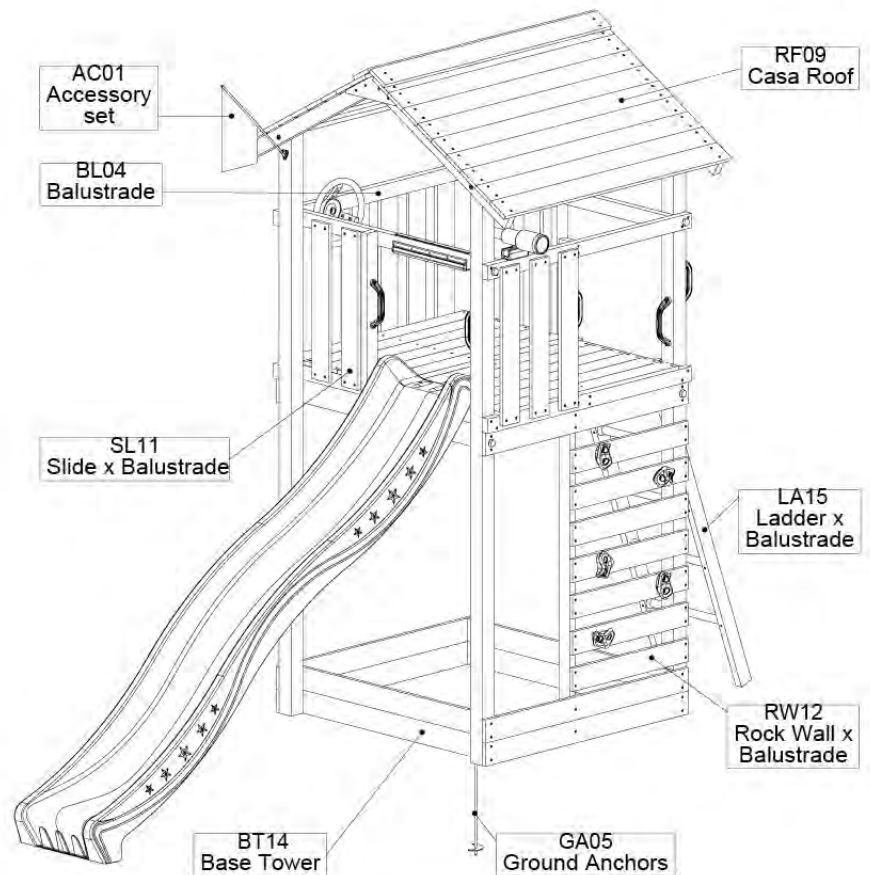
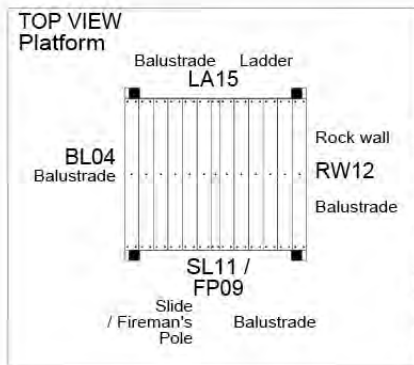
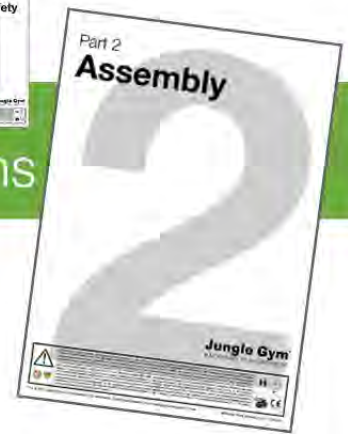


# Assembly

Instructions

## Jungle Cottage 2.1

801\_090



# Jungle Gym

BACKYARD PLAYGROUNDS

since 1988

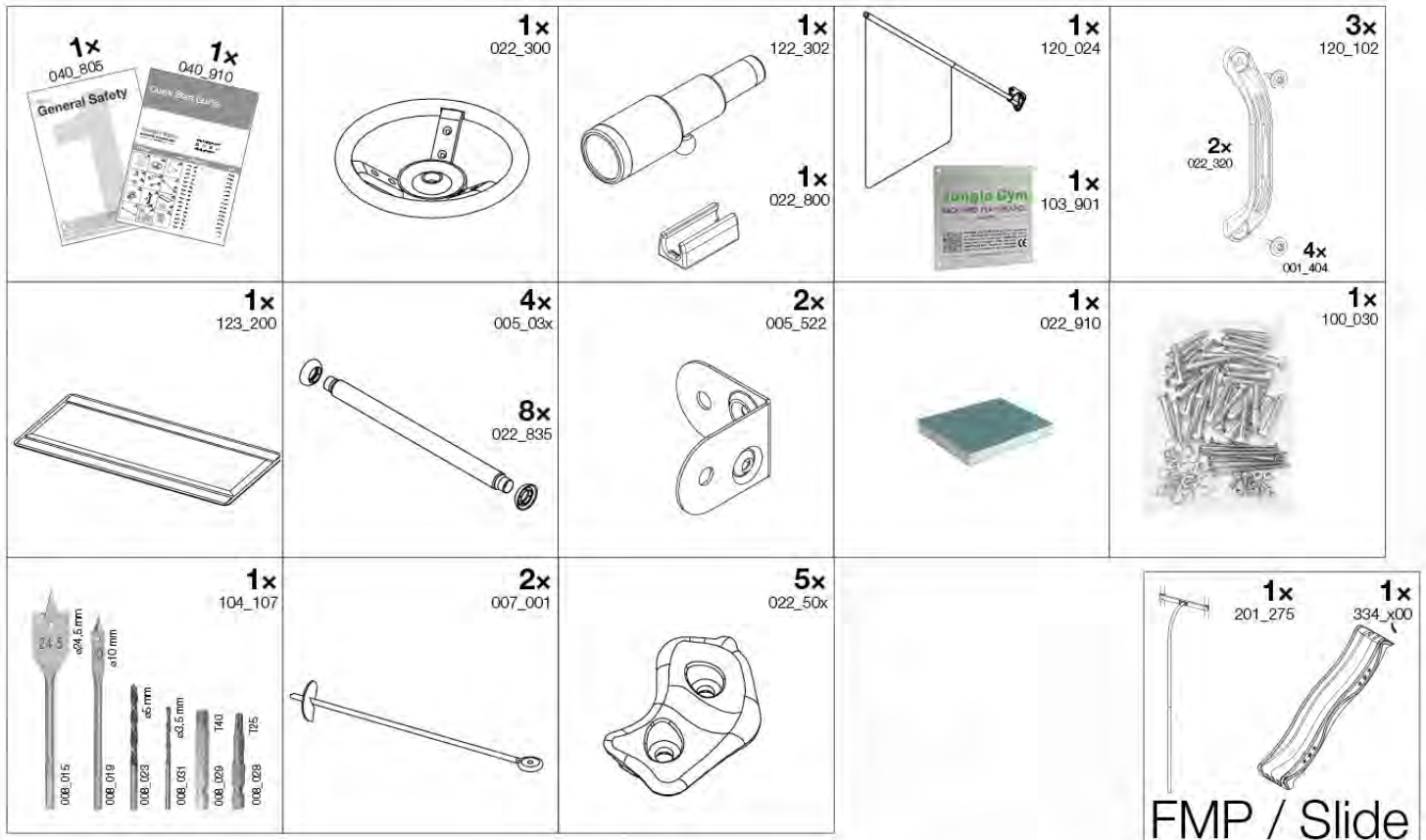


**EN.** Warnings. Only for domestic use. Maximum number of users is 6. **DE.** Achtung. Nur für den Hausgebrauch. Maximale Benutzerzahl: 6. **FR.** Attention. Réserve à un usage familial. Le nombre maximal d'utilisateurs est de 6. **NL.** Waarschuwingen. Uitsluitend voor huishoudelijk gebruik. Het maximale aantal gebruikers is 6. **VO.** Внимание. За употреба само в домашни условия. Максималният брой потребители е 6. **CS.** Varování. Jen pro domácí použití. Maximální počet uživatelů je 6. **DA.** Advarsel. Kun til privat brug. Maksimum antal brugere er 6. **EL.** Προειδοποίησης. Μόνο για οικιακή χρήση. Μέγιστος αριθμός χρηστών 6. **ES.** Advertencias. Solo para uso doméstico. Número máximo de usuarios: 6. **ET.** Hoiatused. Ainult koduseks kasutamiseks. Maksimaalne kasutajate arv on 6. **FI.** Varoitukset. Ainoastaan kotikäyttöön. Käyttäjää yhteensä enintään 6. **HR.** Upozorenja. Samo za kućansku uporabu. Maksimalan broj korisnika je 6. **HU.** Figyelmeztetések. Csak otthoni használatra! A használók max. száma: 6. **IS.** Varnaðarorð. Engöngu fyrir einkanoðkun í heimahúsum og á einkalóðum. Hámarksfjöldi notenda er 6. **IT.** Avvertenze. Solo per uso domestico. Massimo numero di utenti è 6. **LT.** Įspėjimai. Tik būtinai namuose naudoti. Maksimalus naudotojų skaičius 6. **LV.** Brīdinājumi. Izmanto tikai mājās. Maksimālais lietotāju skaits ir 6. **NO.** Advarsel. Kun for privat bruk. Maksimalt antall brukere er 6. **PL.** Ostrzeżenia. Wyłącznie do użytku domowego. Maksymalna liczba użytkowników to 6. **PT.** Avisos. Apenas para uso doméstico. O número máximo de utilizadores é 6. **RO.** Avertismente. Numai pentru uz domestic. Numărul maxim de utilizatori este 6. **RU.** Предостережения. Только для домашнего использования. Максимальное количество пользователей - 6. **SK.** Upozornenia. Iba na domáce použitie. Maximálne množstvo osôb je 6. **SL.** Opozorila. Samo za domačo uporabo. Maksimalno število uporabnikov je 6. **SR.** Upozorenja. Samo za kućnu upotrebu. Maksimalan broj korisnika je 6. **SV.** Varningar. Endast för hemmabruk. Det maximala antalet användare är 6. **TR.** Uyarılar. Sadece ev kullanımı için. Maksimum kullanıcı sayısı 6.



# 01 What's in the Delivery?

401\_080











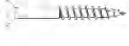
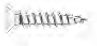





FMP / Slide

# 02 Hardware

Total HWP 100\_xxx Jungle Cottage 2.1

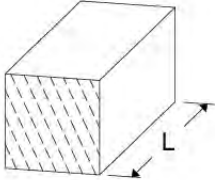
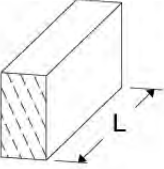
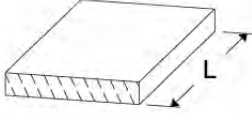
20211021

001_102	<b>10x</b>		M8 x 30mm	000_101	<b>10x</b>		ø2 x 20mm
001_417	<b>8x</b>		ø8 x 80mm	003_010	<b>10x</b>		M8x14.2mm
001_411	<b>4x</b>		ø8 x 60mm	004_050	<b>10x</b>		M8 x 22mm
001_406	<b>7x</b>		ø8 x 45mm	120_005	<b>8x</b>		M8
001_404	<b>4x</b>		ø8 x 30mm				
002_223	<b>62x</b>		ø5 x 80mm				
002_220	<b>344x</b>		ø5 x 45mm				
002_219	<b>6x</b>		ø5 x 30mm				
002_308	<b>2x</b>		ø5.0 x 20mm				
002_041	<b>3x</b>		ø4.5 x 20mm				
002_042	<b>4x</b>		ø3.5 x 13mm				

# 03 Timber

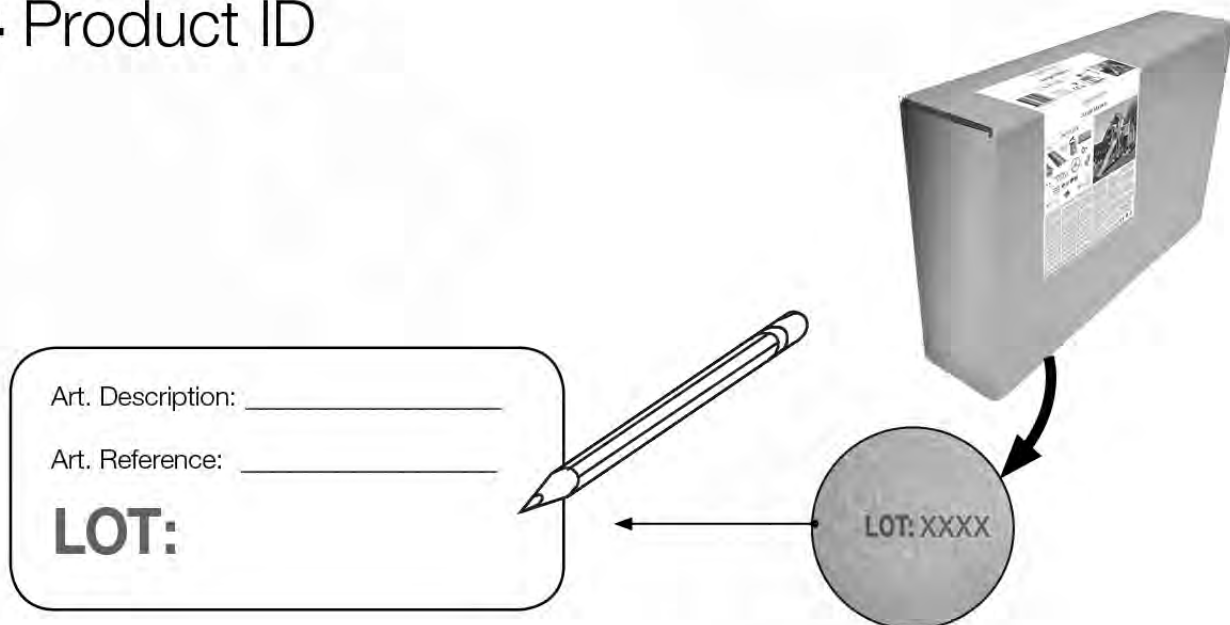
601\_092 Timber pack Jungle Cottage 2.1

L

<p><b>A</b></p> 	<p>A240</p>	<p>239cm - 240cm</p>	<p>4x</p>
<p><b>C</b></p> 	<p>C206 C150 C114 C84 C70</p>	<p>205cm - 206cm 149cm - 150cm 113cm - 114cm 83cm - 84cm 69cm - 70cm</p>	<p>1x 2x 9x 4x 2x</p>
<p><b>D</b></p> 	<p>D127 D114 D100 D65</p>	<p>126cm - 127cm 113cm - 114cm 99cm - 100cm 64cm - 65cm</p>	<p>23x 12x 14x 20x</p>

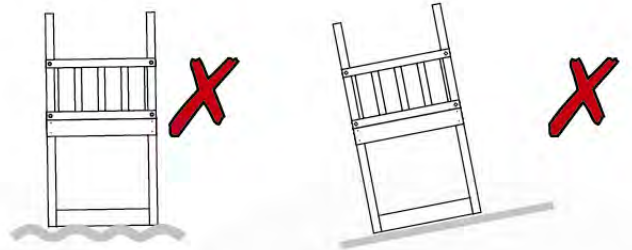
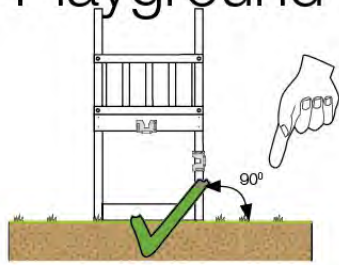
21-Oct-2021

# 04 Product ID

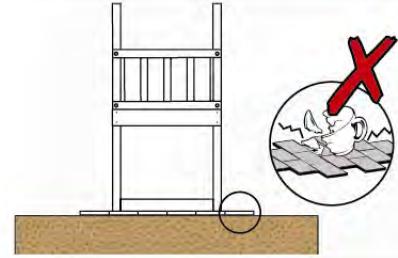
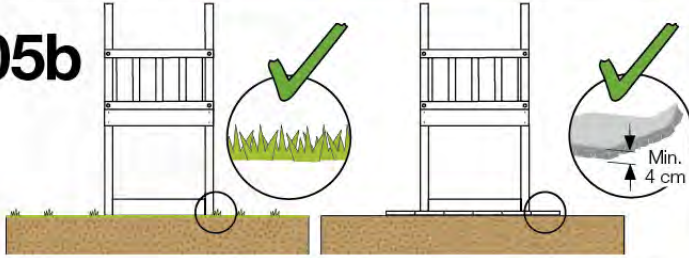


# 05 Safe Playground

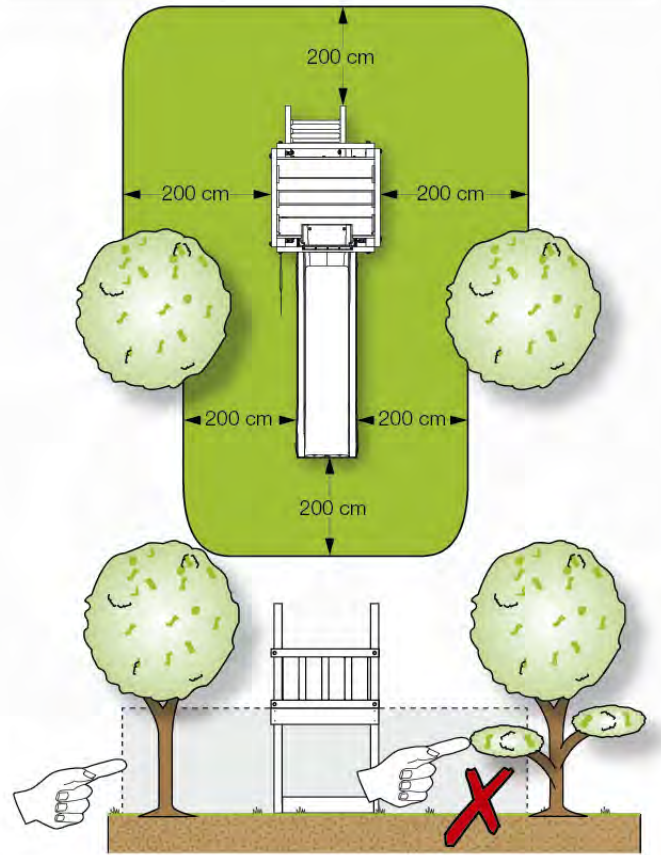
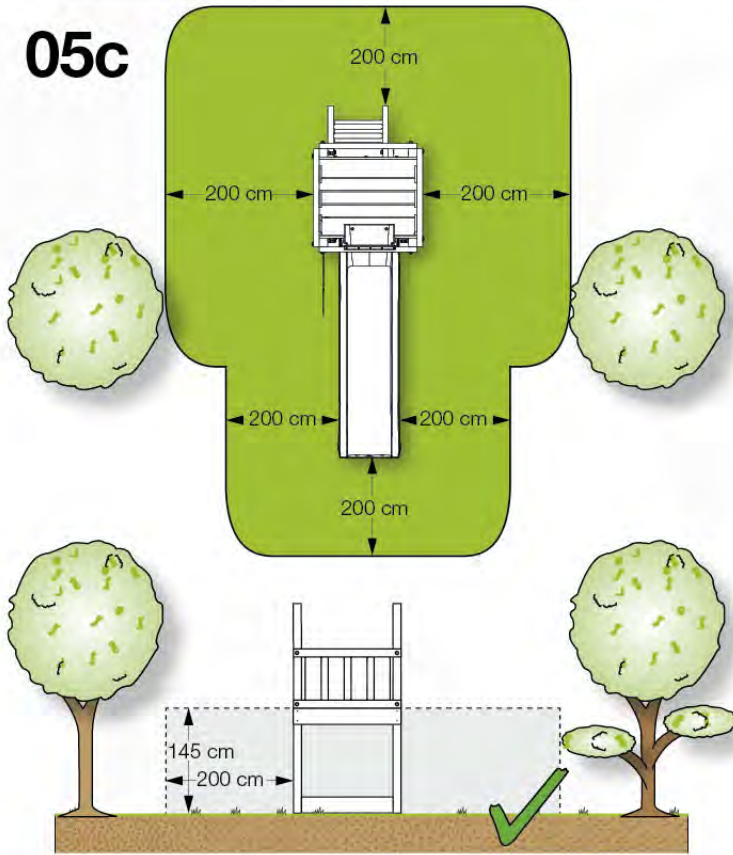
## 05a



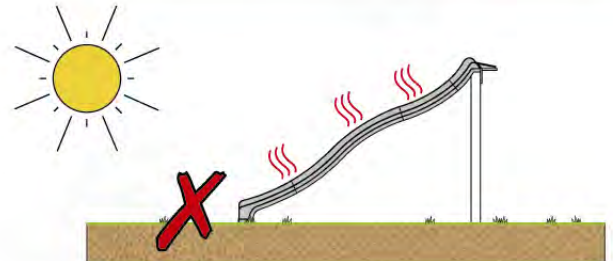
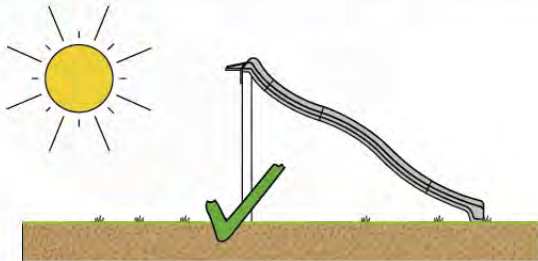
## 05b



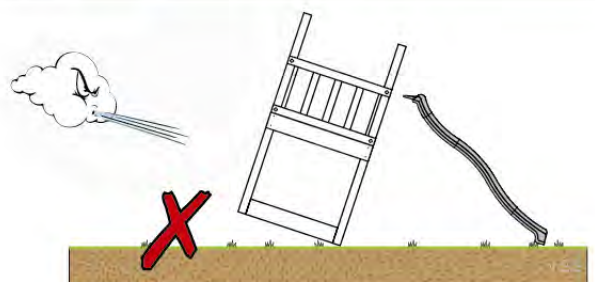
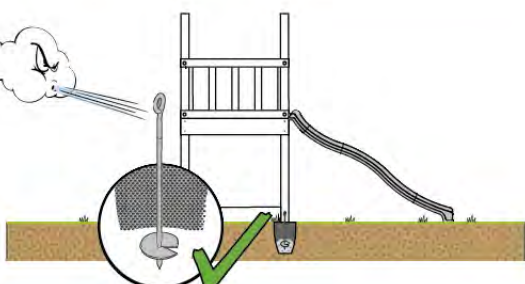
## 05c



## 05d

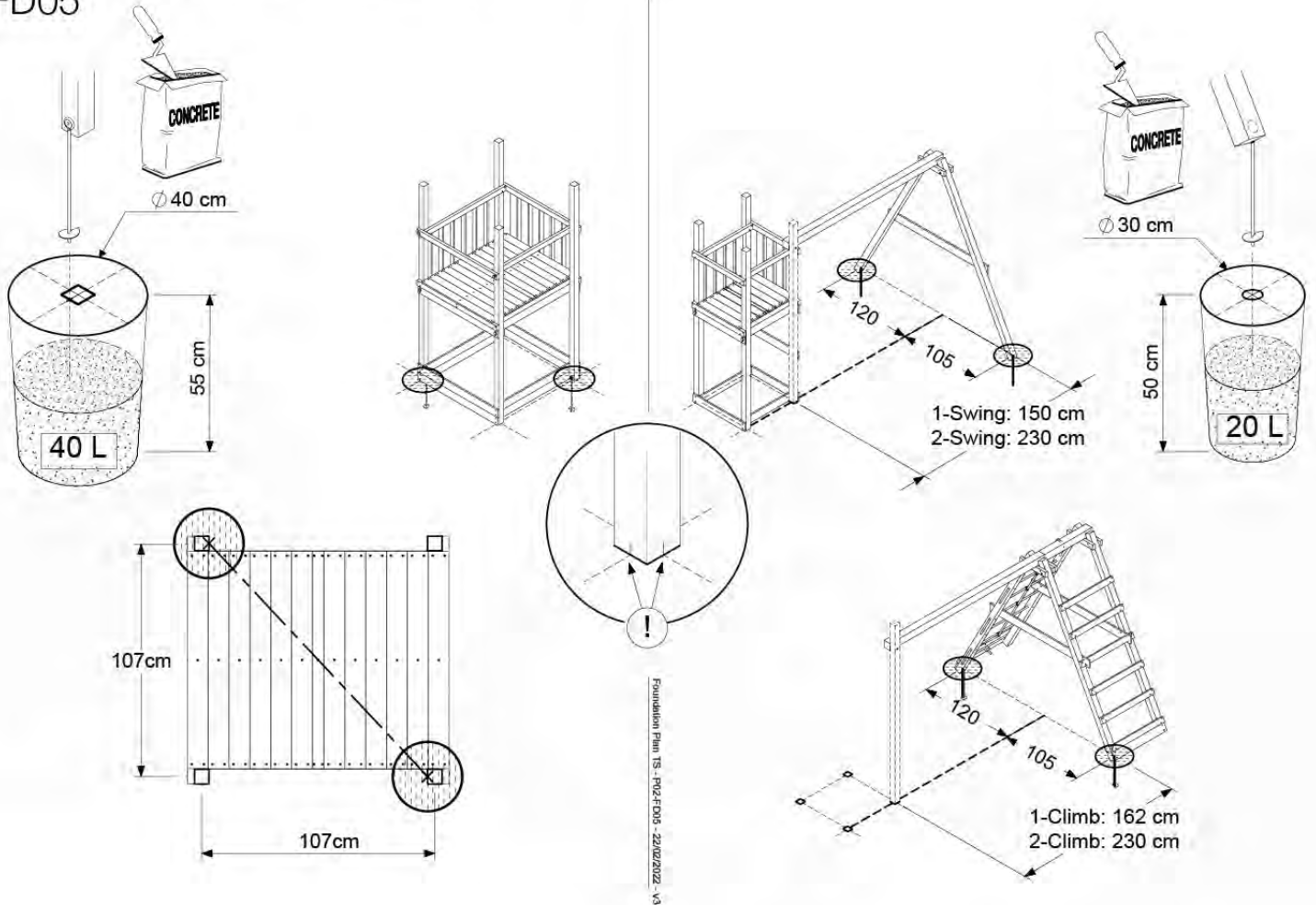


## 05e



# 06 Playground Foundation

FD05



# 07 Base Tower

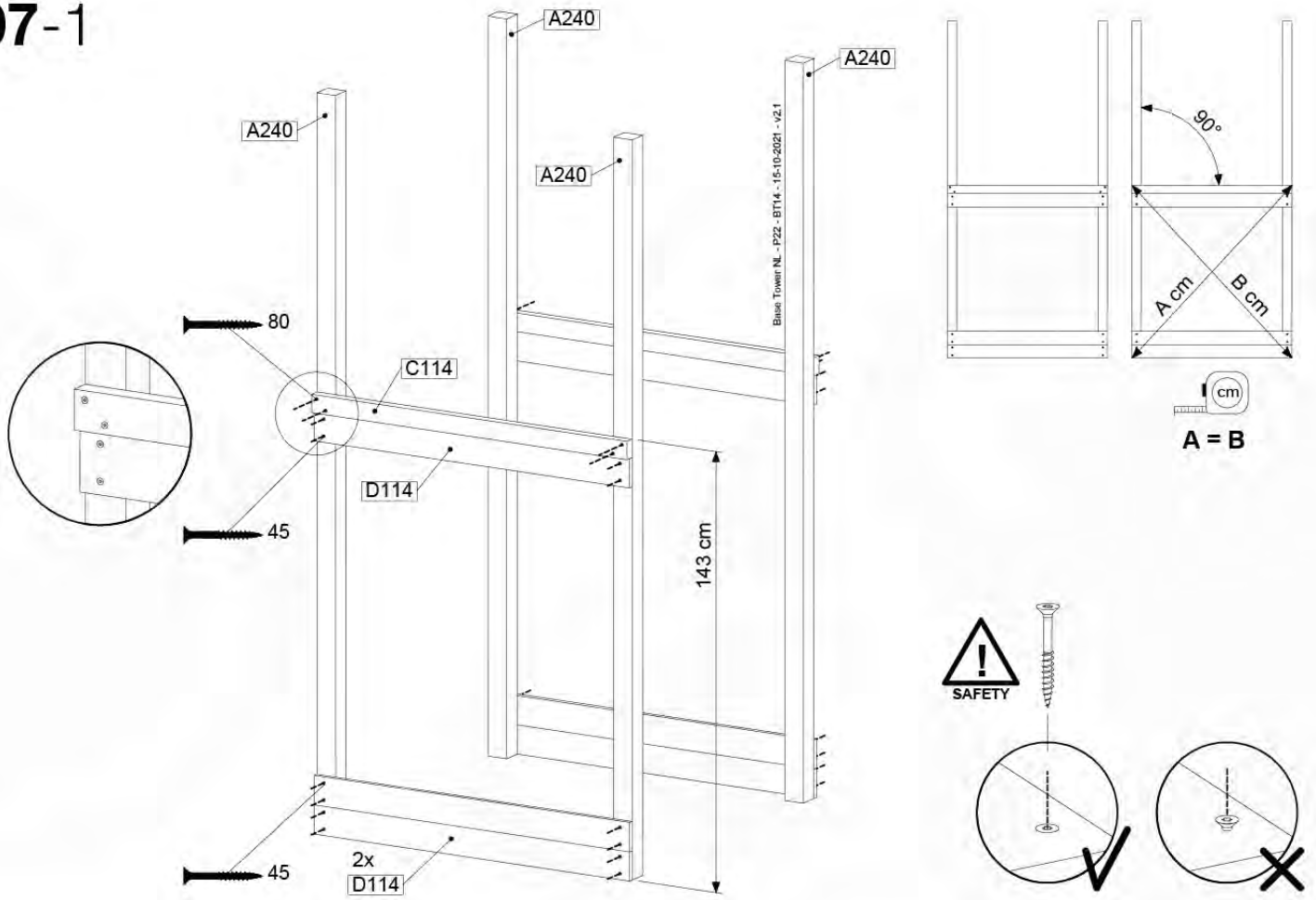
BT14

	PartNo	PartName	QTY.
Hardware pack	001_406	Stealth Screw 8x45	6
	001_417	Stealth Screw 8x80	4
	002_220	Gap Point Screw T25 - 5x45	118
	002_223	Gap Point Screw T25 - 5x80	20
	022_31x	bpc-base version 3	8
	022_84x	bpc cover	8
Other	007_001	Ground-anchor	2
Timber	A240	Post 70x70 L2400	4
	C114	Beam 1140 mm	5
	D100	Board 1000 mm	14
	D114	Board 1140 mm	12

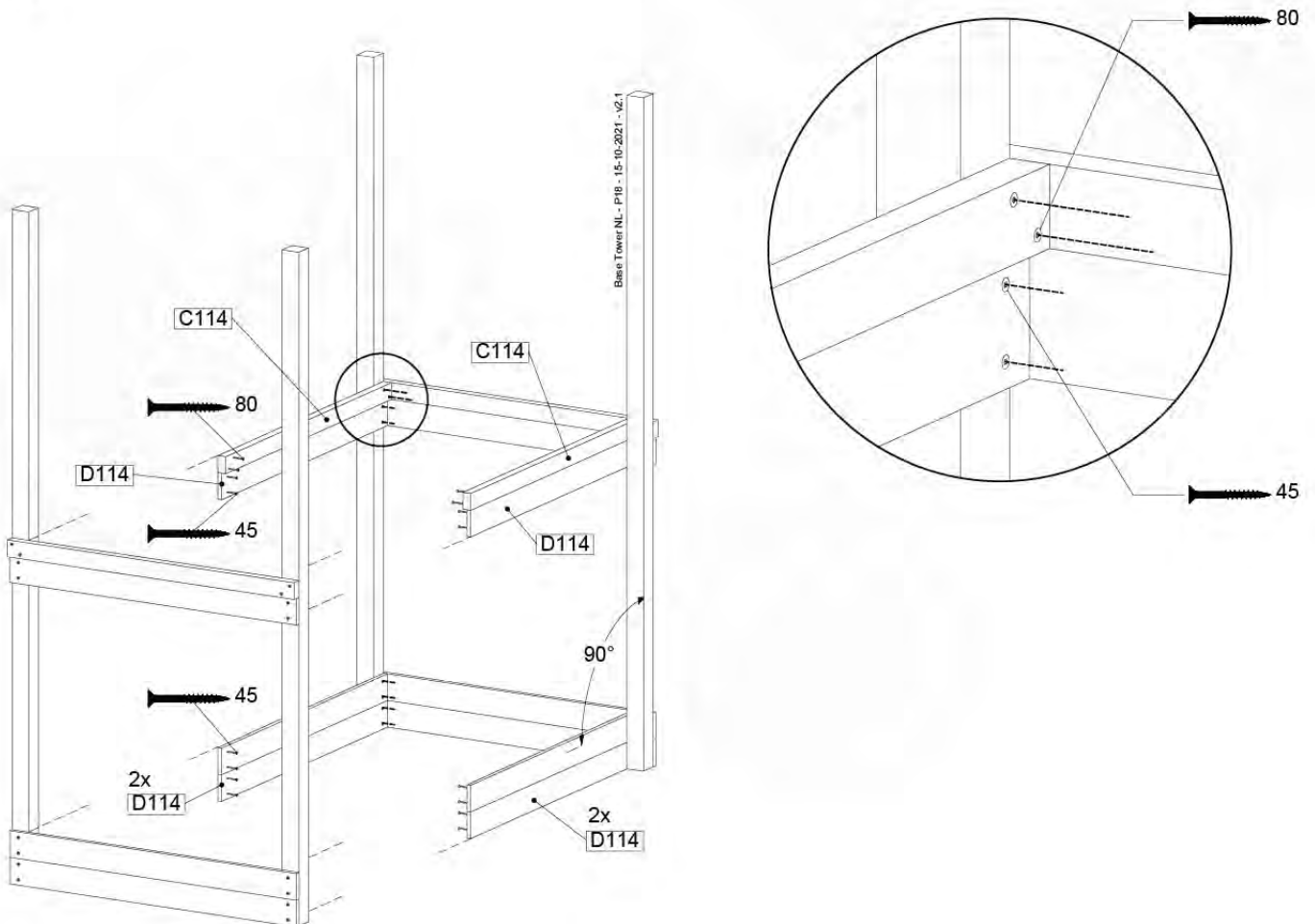
Base Tower NL - P21 - BT14 - 15-10-2021 - v2.1



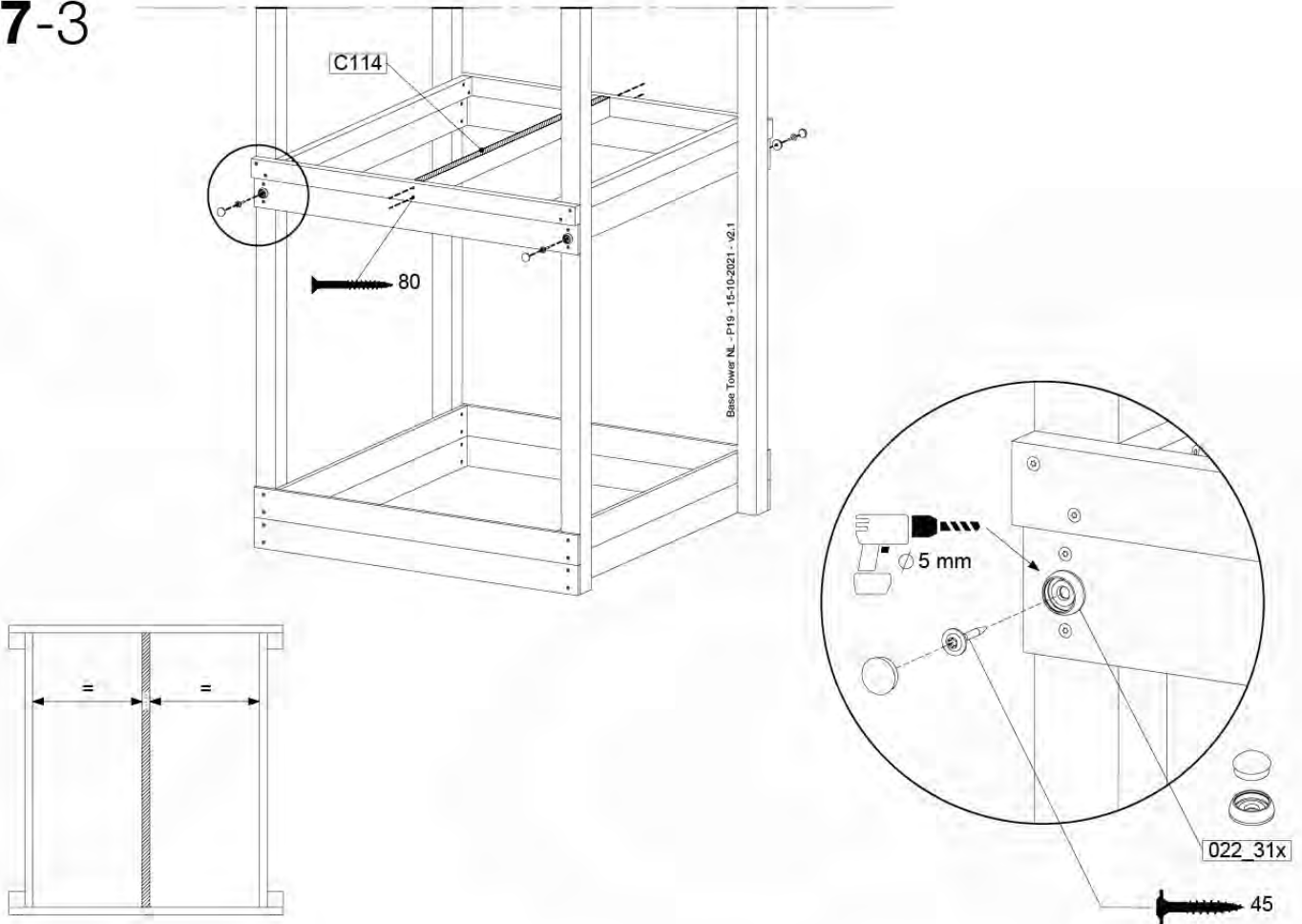
# 07-1



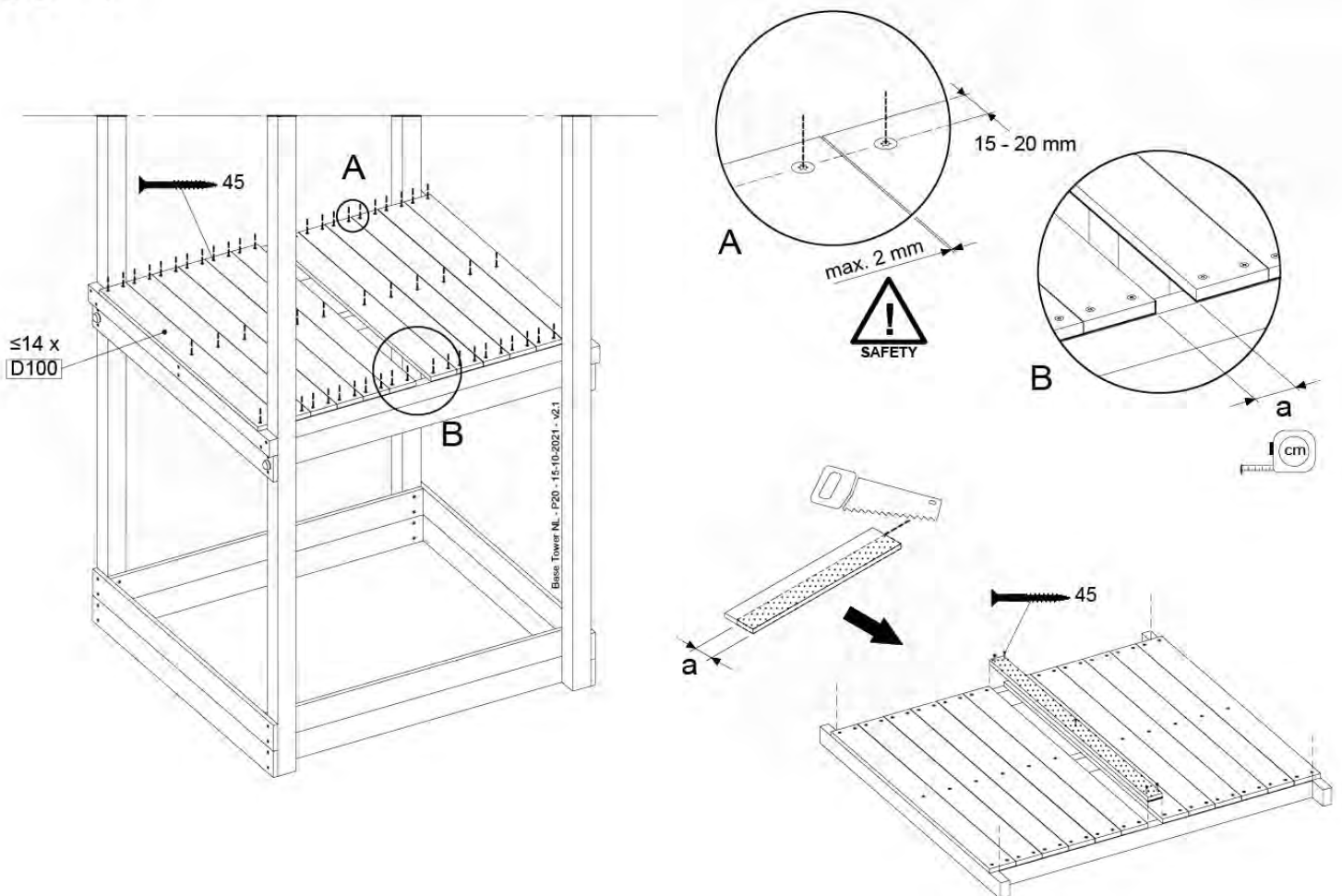
# 07-2



# 07-3

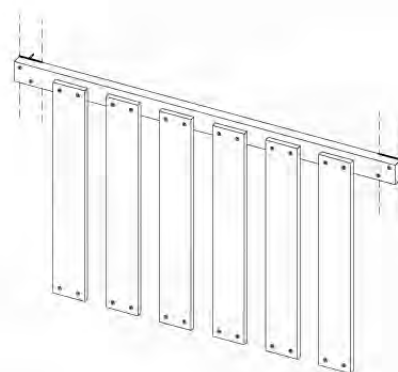


# 07-4



# 08 Balustrade

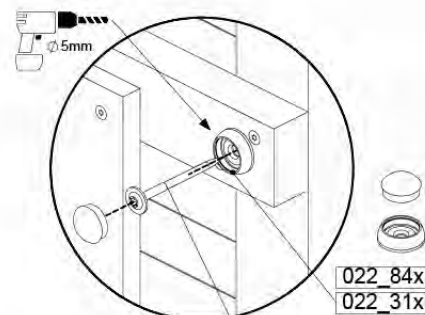
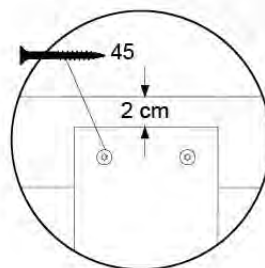
BL04



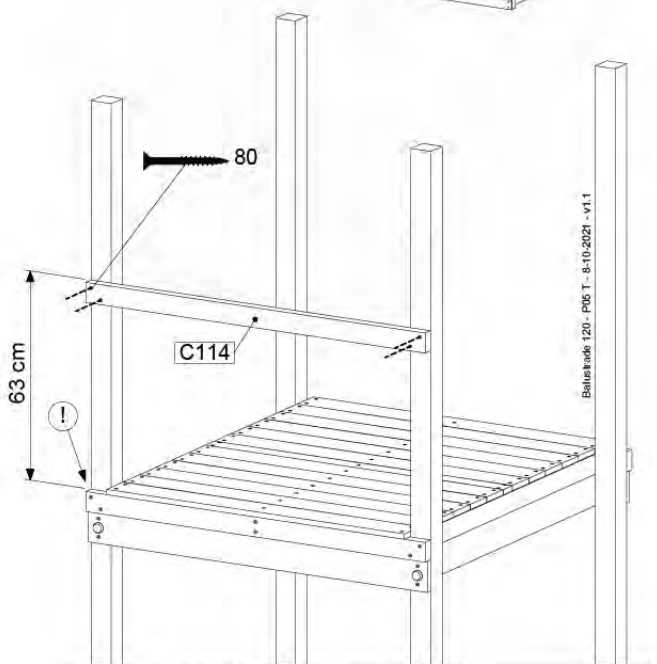
	PartNo	PartName	QTY.
Hardware Pack	002_220	Gap Point Screw T25 - 5x45	24
	002_223	Gap Point Screw T25 - 5x80	4
Timber	C114	Beam 1140 mm	1
	D65	Board 650 mm	6

Balustrade 120 - P03 T - 8-10-2021 - v1.1

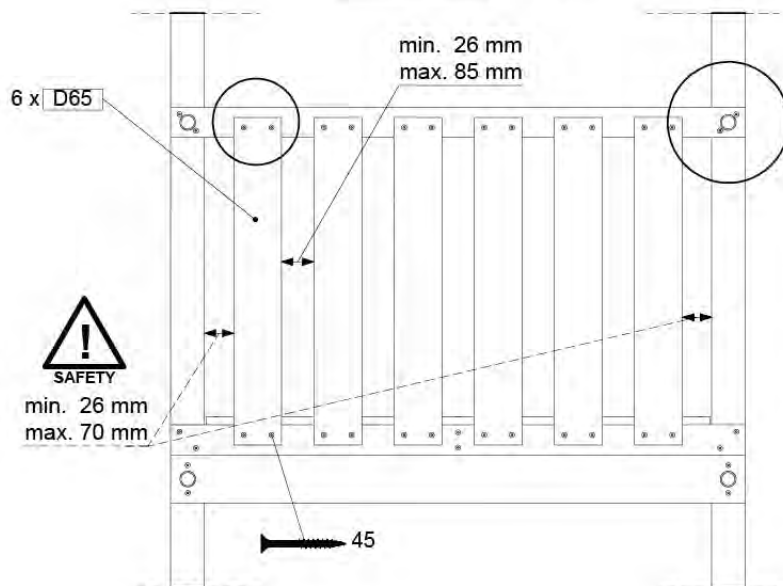
## 08-1



HARDWARE PACK TOWER → 80



Balustrade 120 - P06 T - 8-10-2021 - v1.1



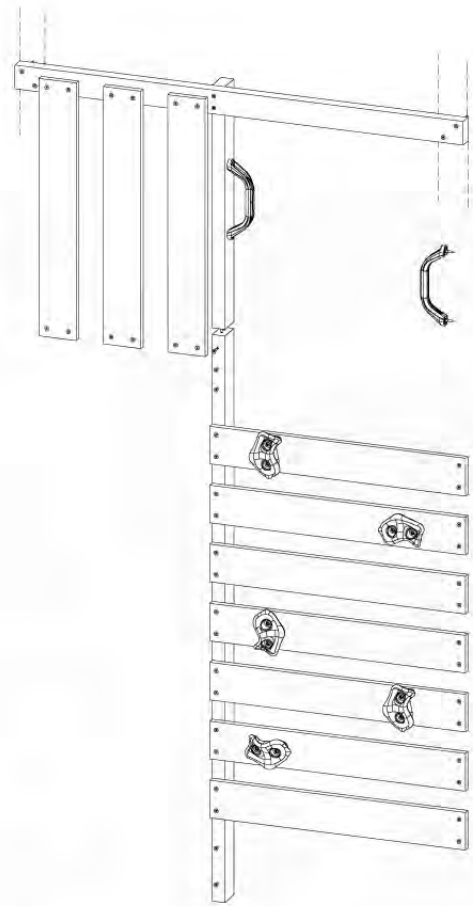


# 09 Rock Wall

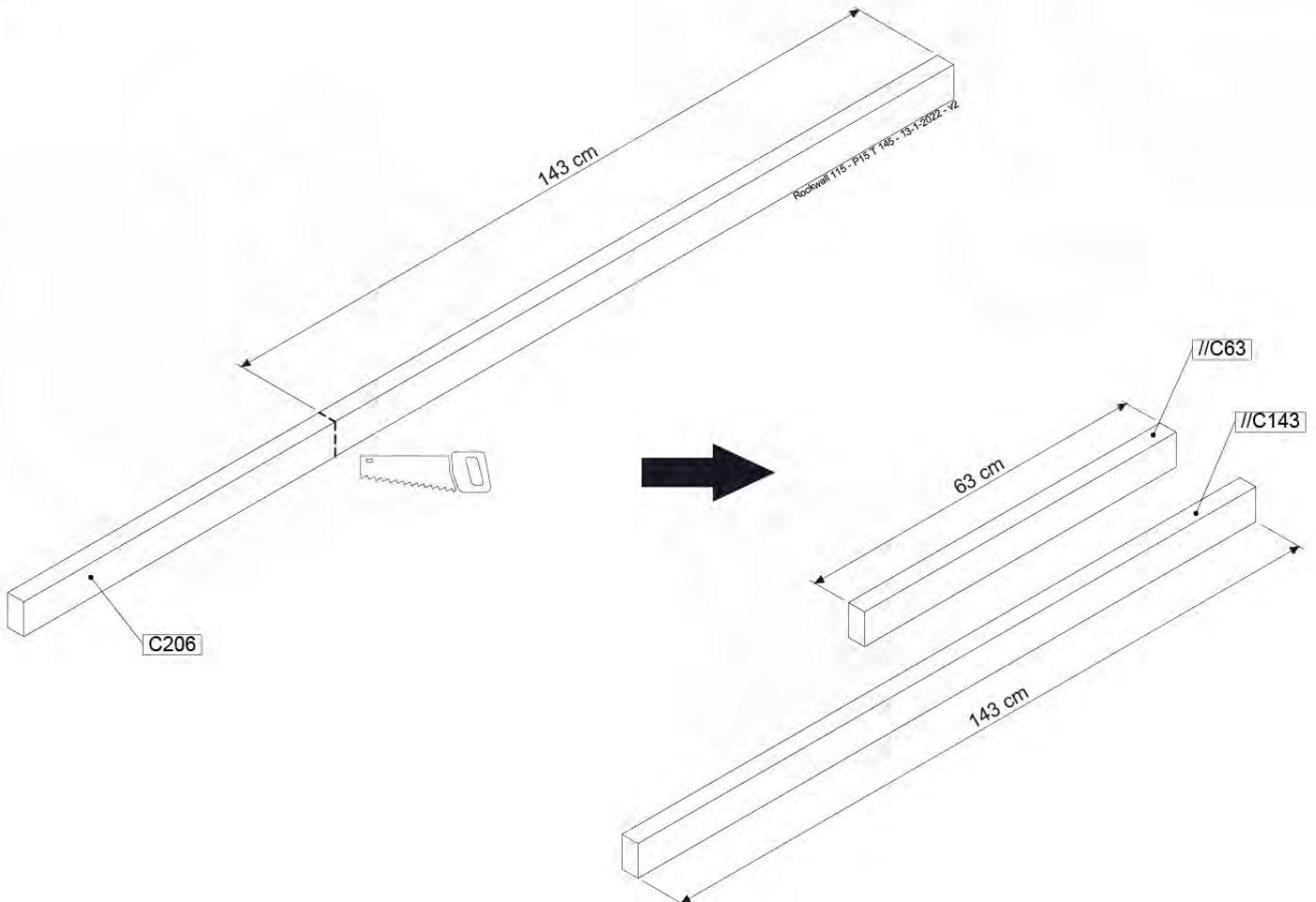
RW12

	PartNo	PartName	QTY.
Hardware Pack	001_102	Washer Head Screw T40 M8x30	10
	002_220	Gap Point Screw T25 - 5x45	44
	002_223	Gap Point Screw T25 - 5x80	9
	003_010	M8 spring lock washer	10
	004_050	M8 22mm Drive in Nut	10
Other	022_50x	Climbing Rock	5
	120_102	Handgrip set (complete 2x)	1
Timber	C114	Beam 1140 mm	1
	C206	Beam 2060 mm	1
	D65	Board 650 mm	10

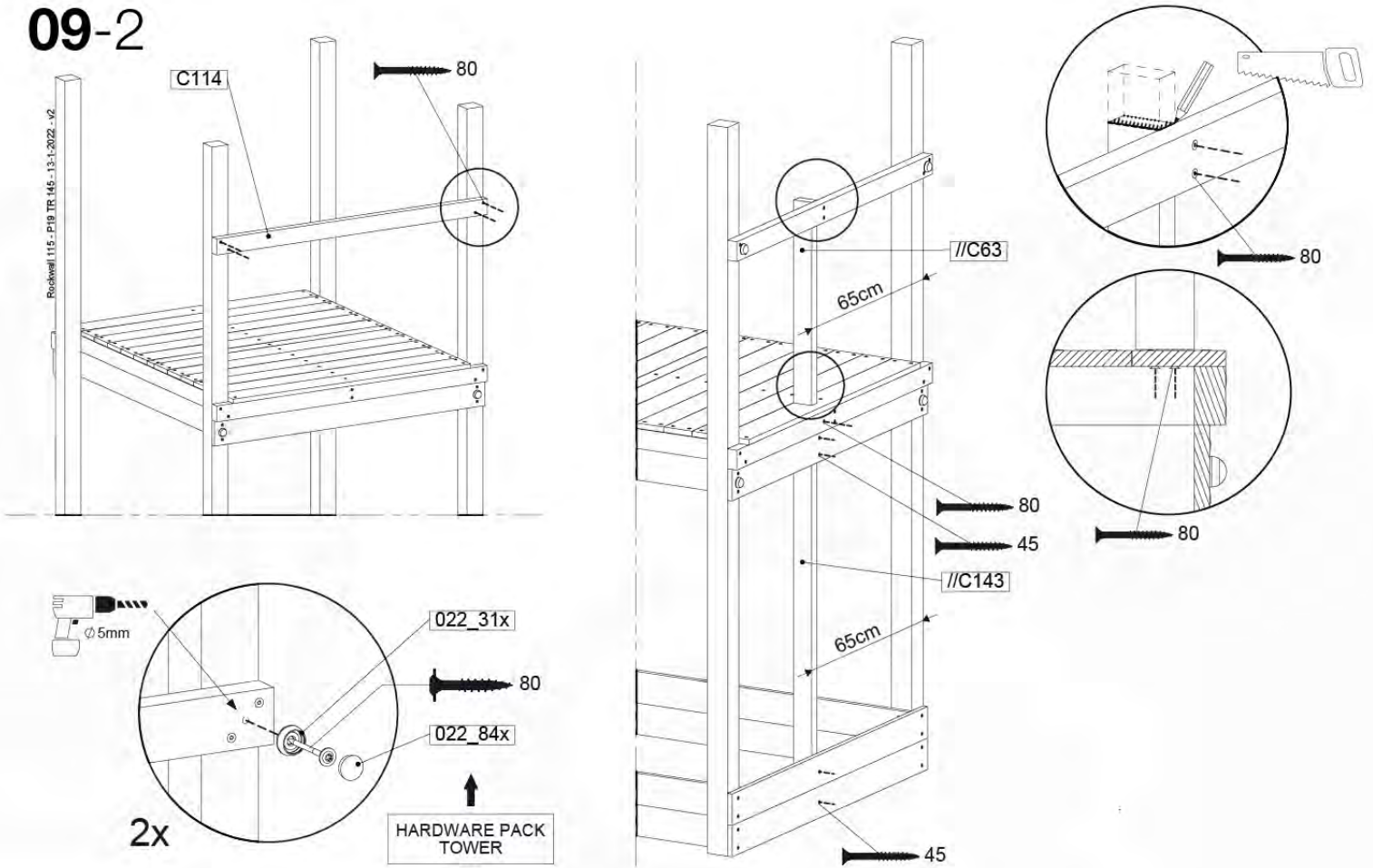
Rockwall 115 - P09 TR 145 - 13-1-2022 - v2



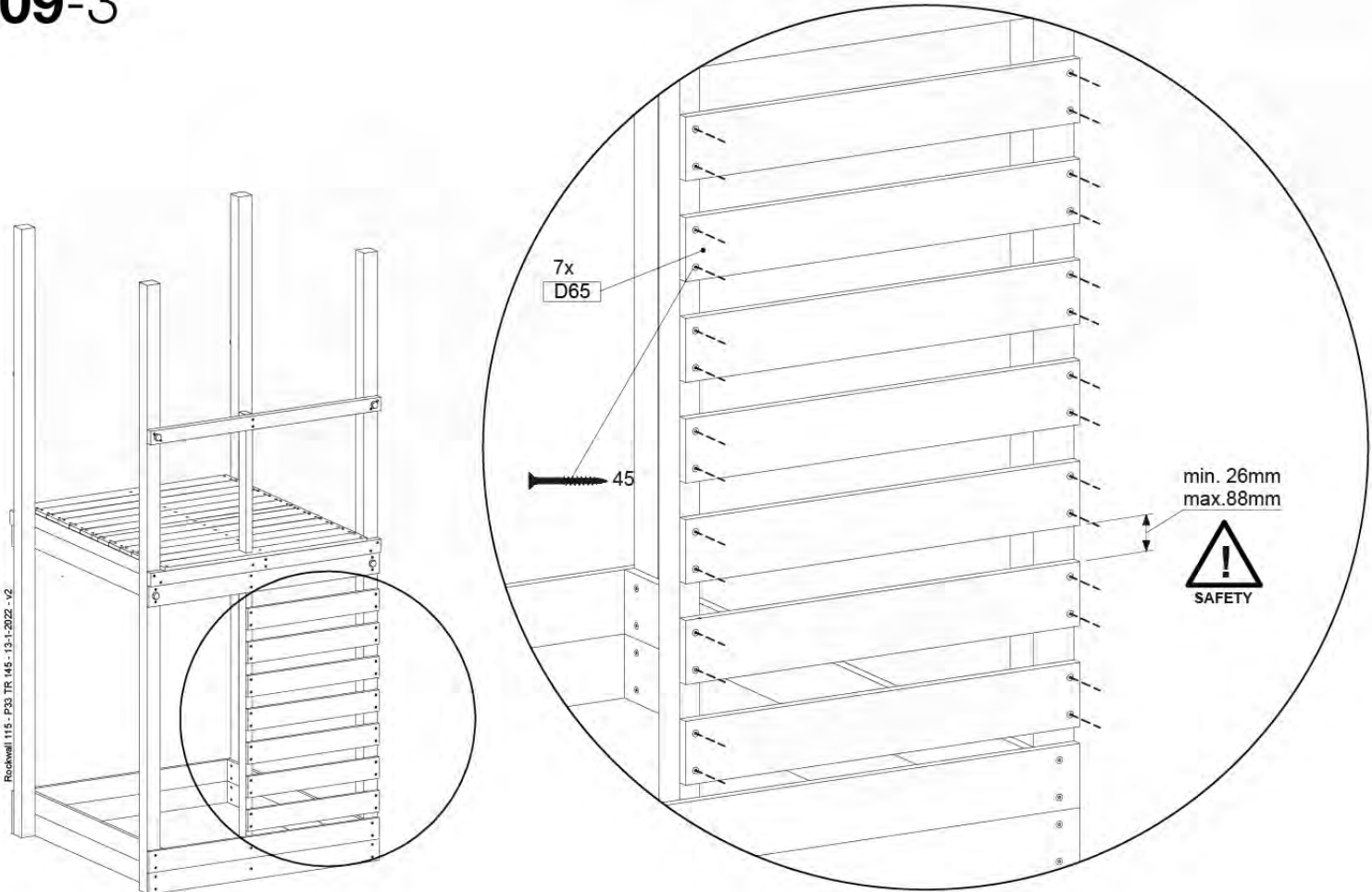
## 09-1



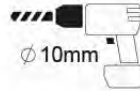
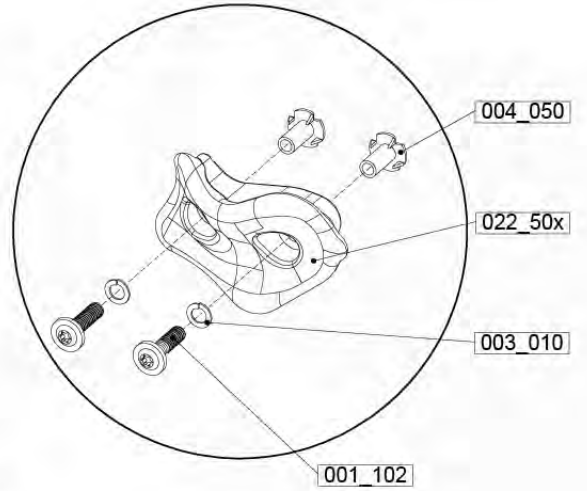
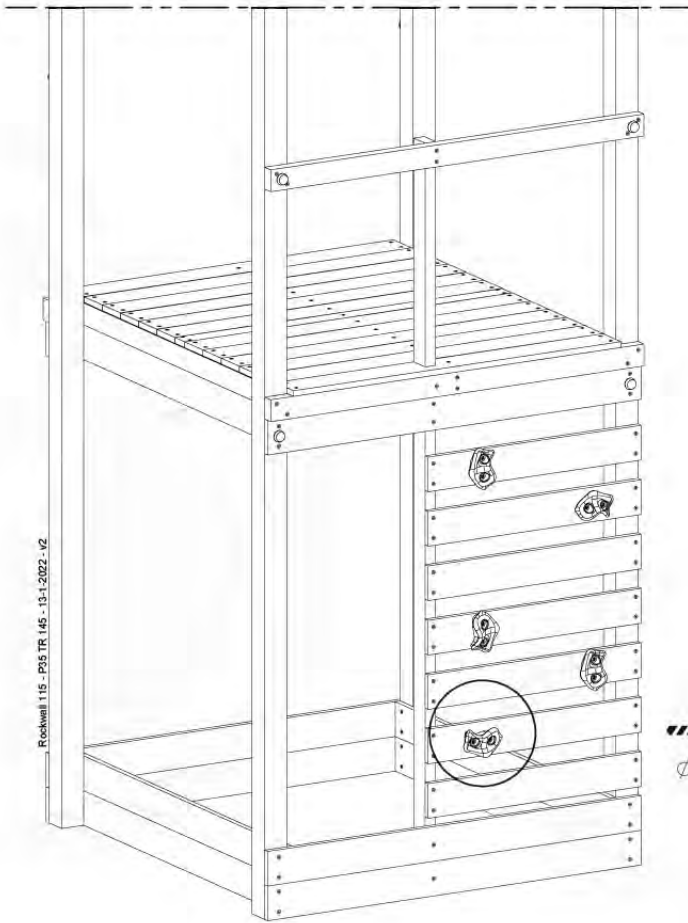
# 09-2



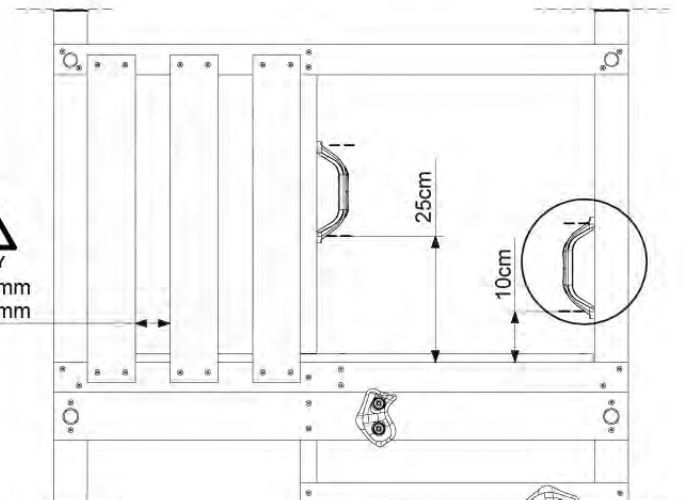
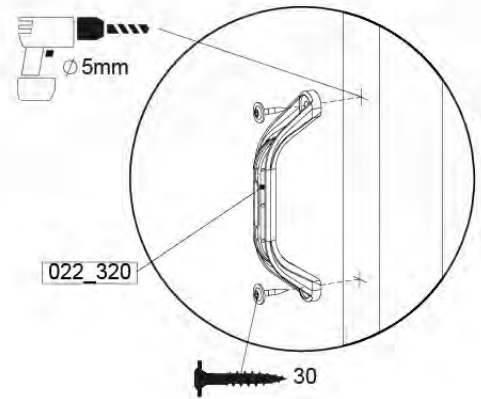
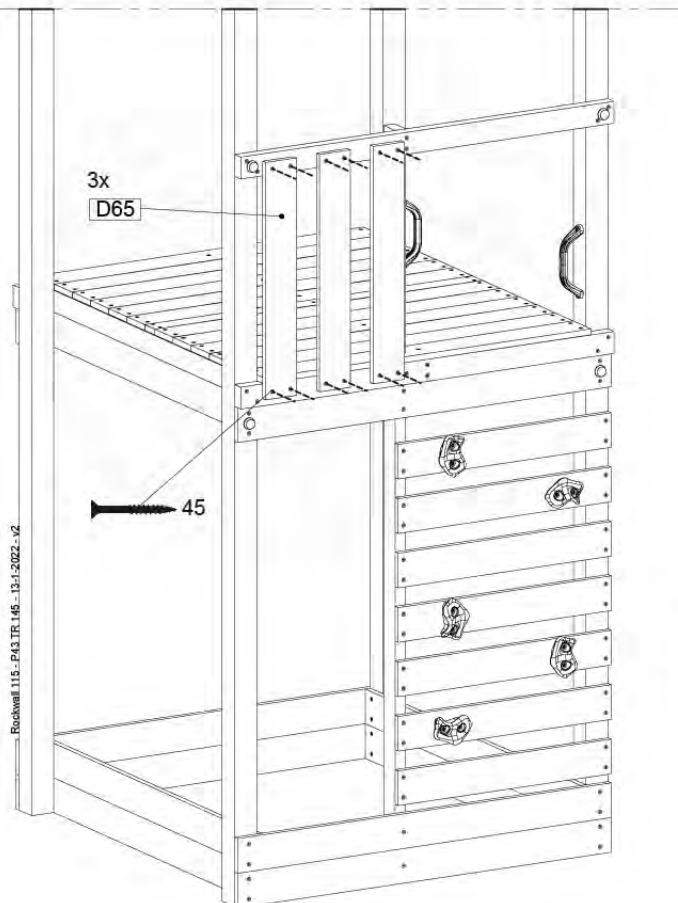
# 09-3



# 09-4

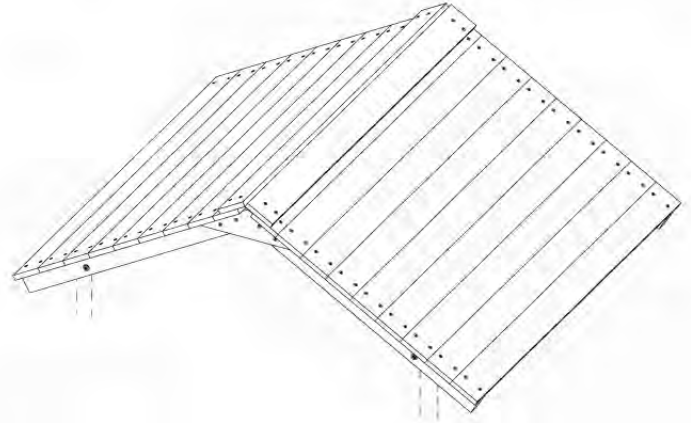


# 09-5



# 10 Roof

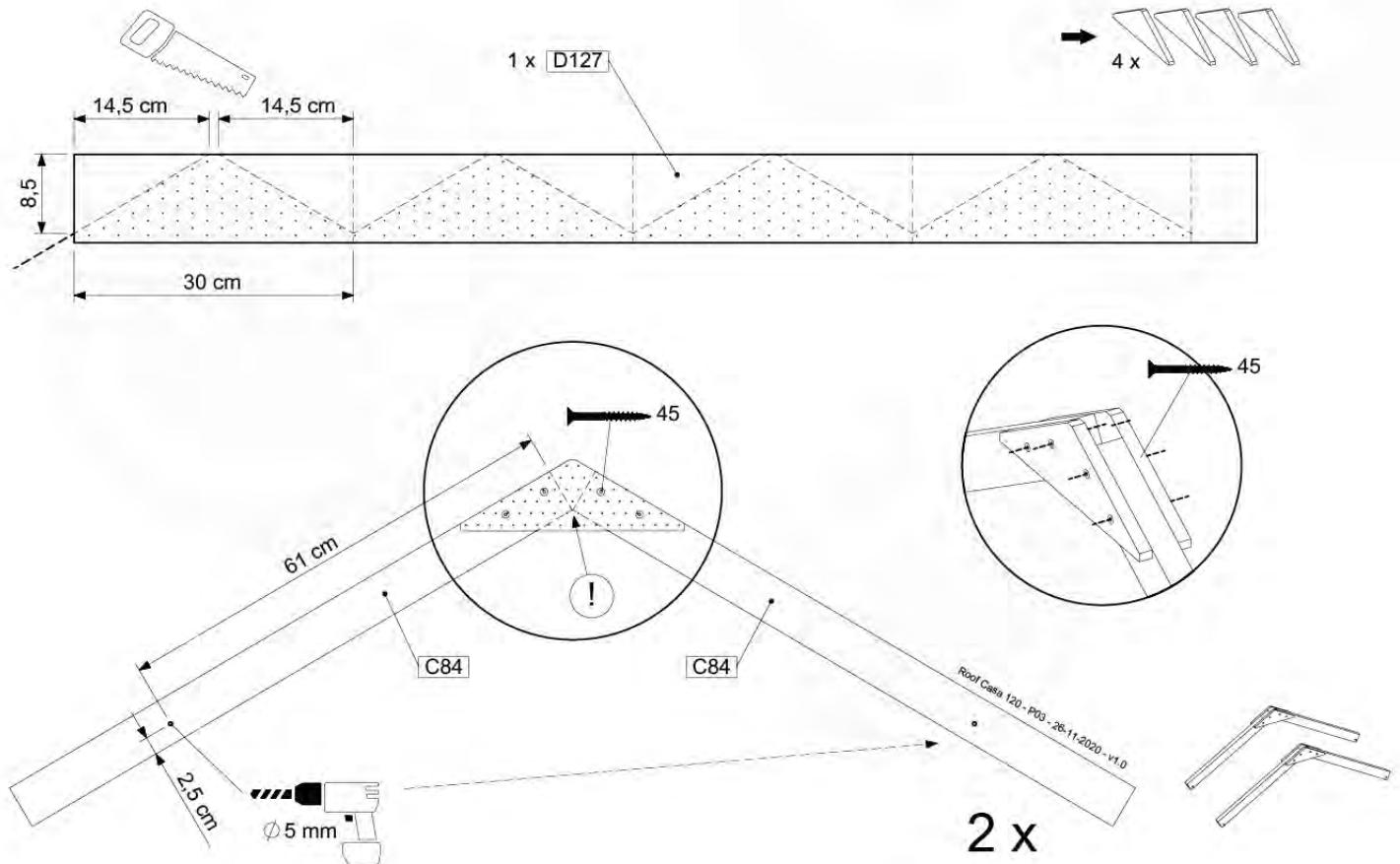
RF09



	PartNo	PartName	QTY.
Hardware Pack	001_417	Stealth Screw 8x80	4
	002_220	Gap Point Screw T25 - 5x45	96
	002_223	Gap Point Screw T25 - 5x80	8
Timber	C84	Beam 840 mm	4
	D127	Board 1270 mm	19-23

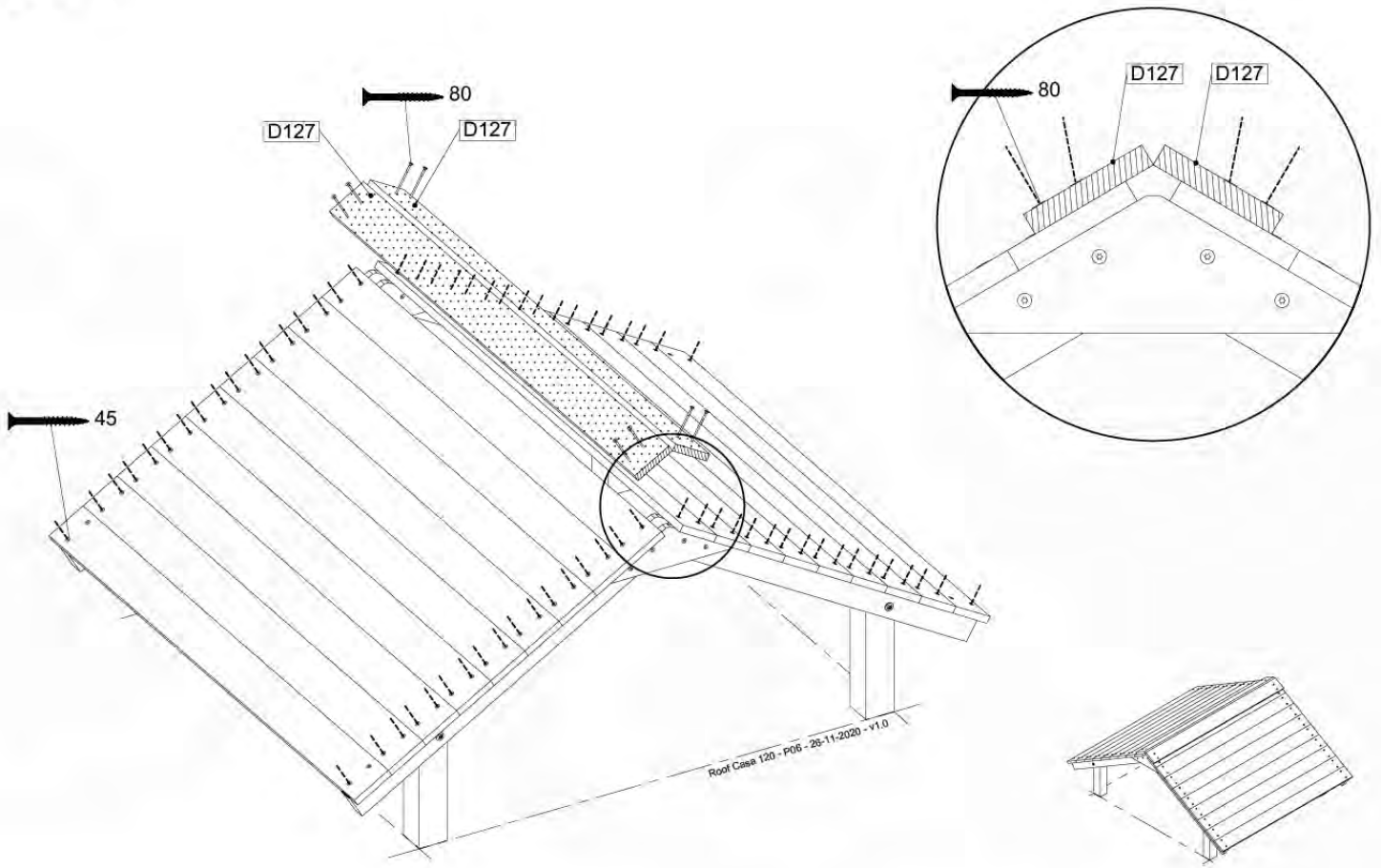
Roof Casa 120 - P03 - 26-11-2020 - v1.0

## 10-1



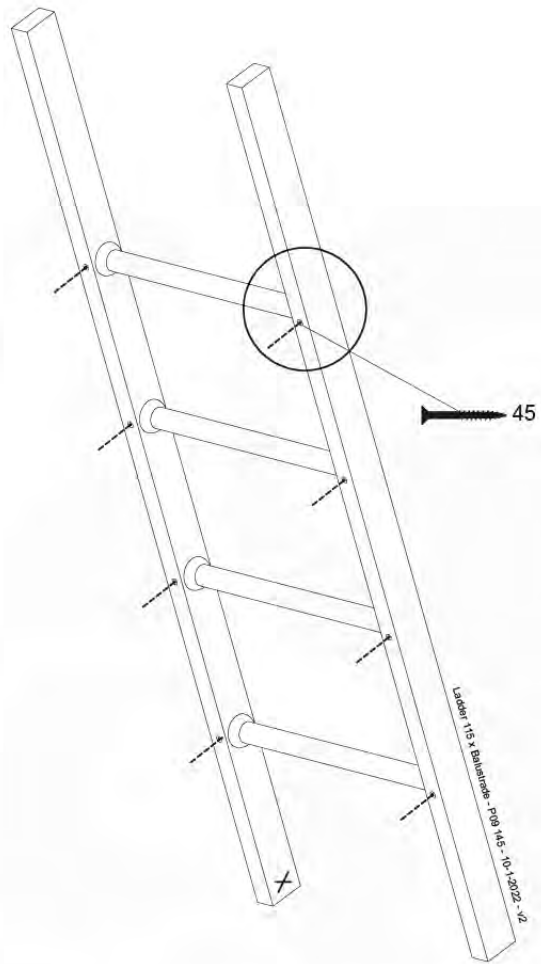
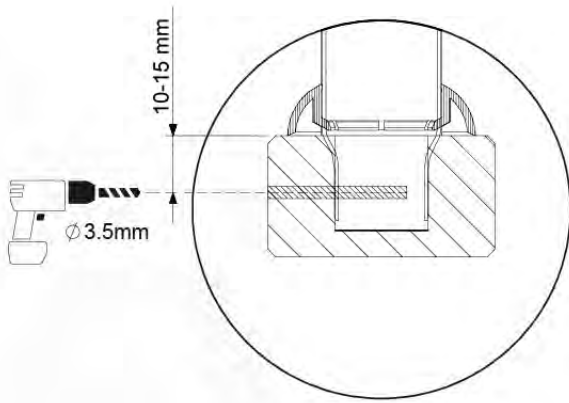


# 10-4

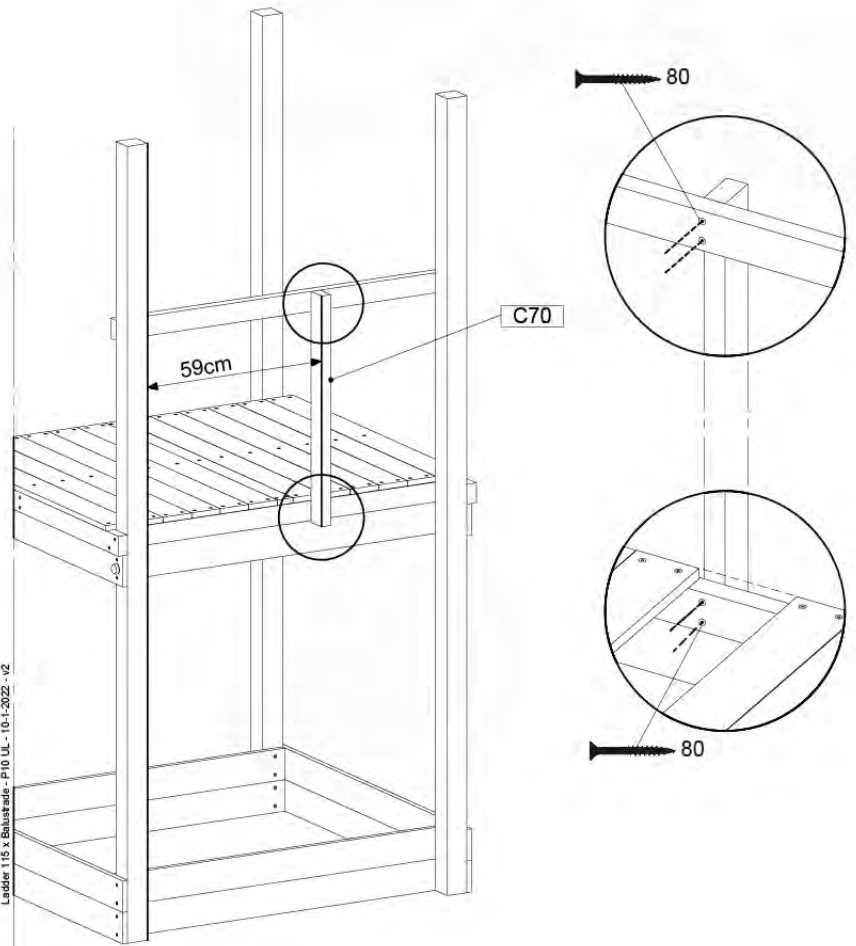
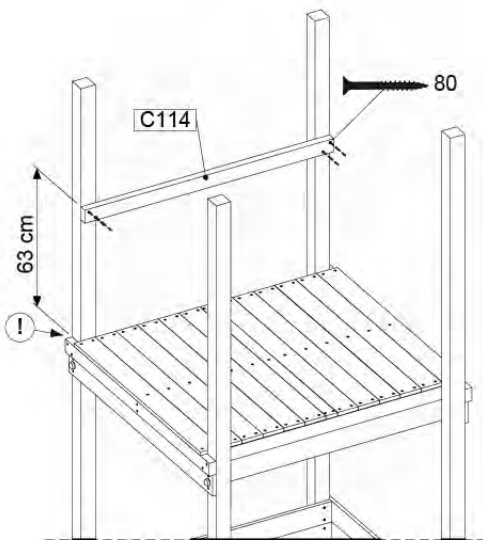




# 11-2

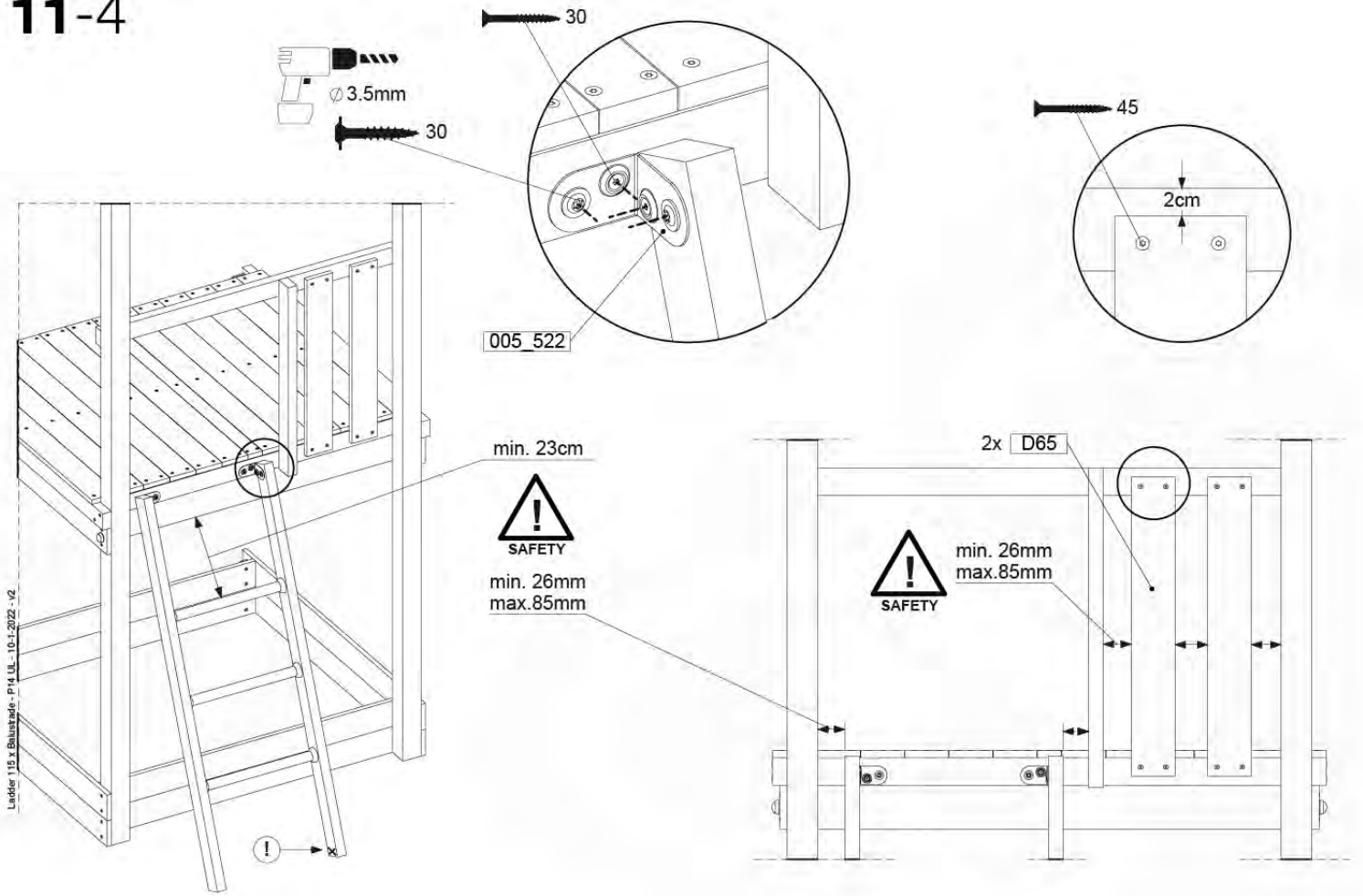


# 11-3

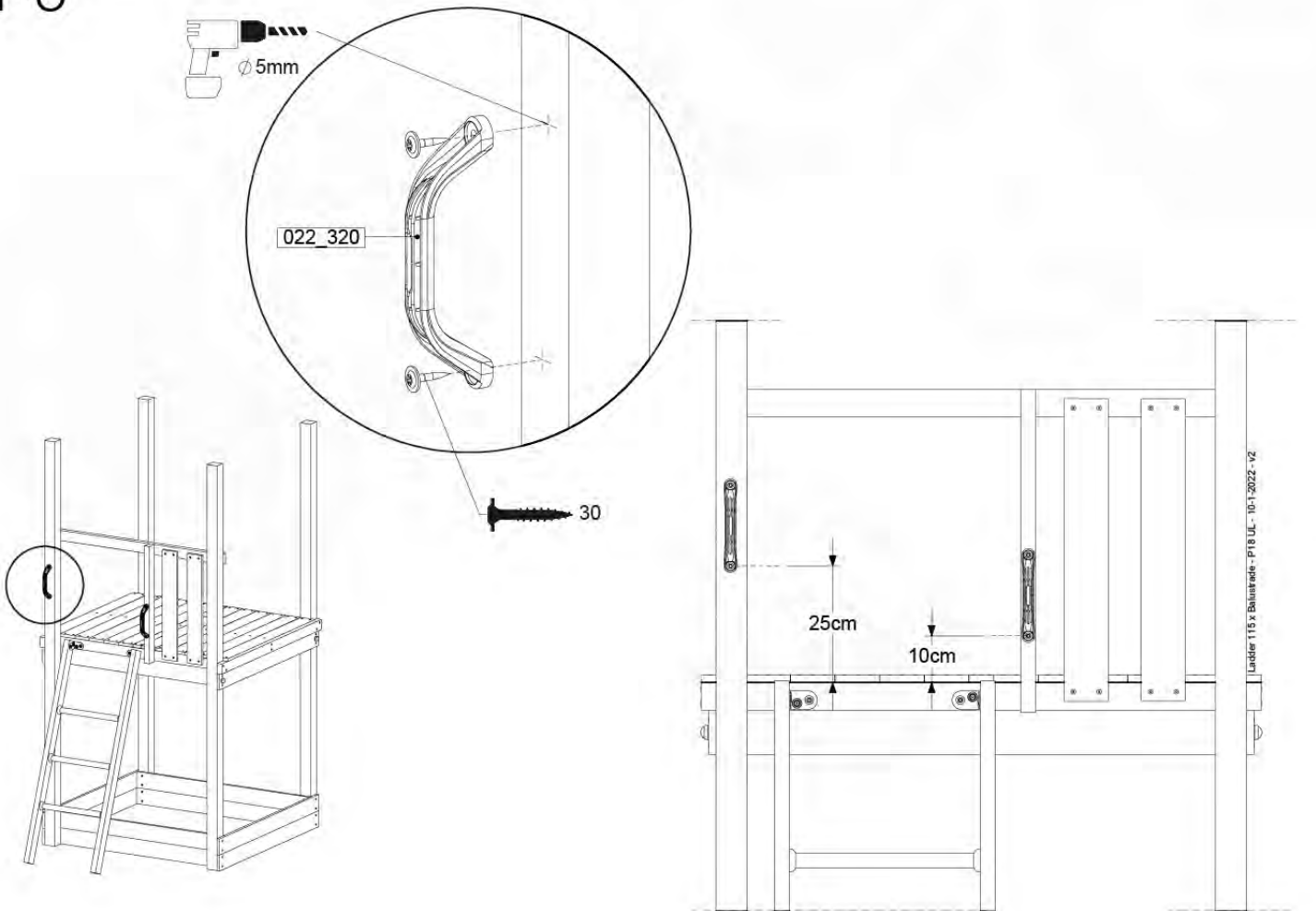




# 11-4



# 11-5



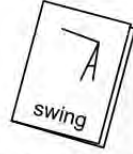
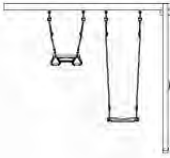
# 12 Swing Module / Climb Module



**13**



+

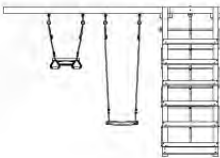


**13**

1-Swing Module / 2-Swing Module  
457\_101  
457\_102



+



**13**

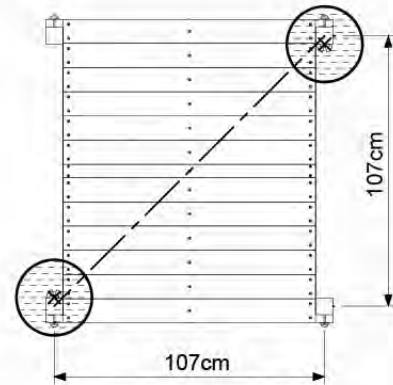
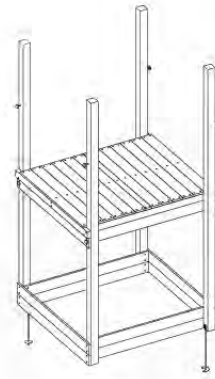
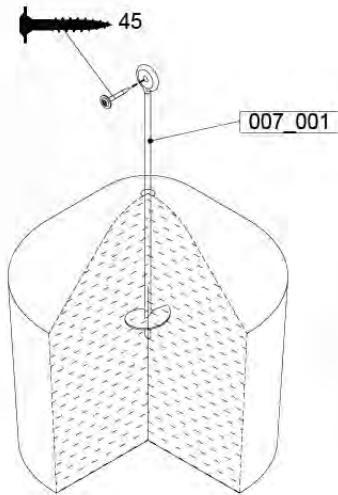
1-Climb Module / 2-Climb Module  
457\_105  
457\_106

# 13 Ground Anchors

GA05

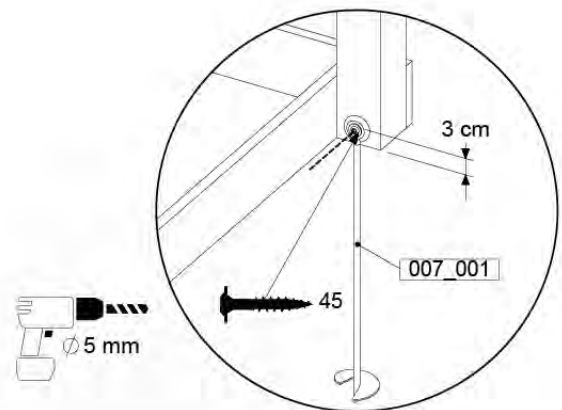
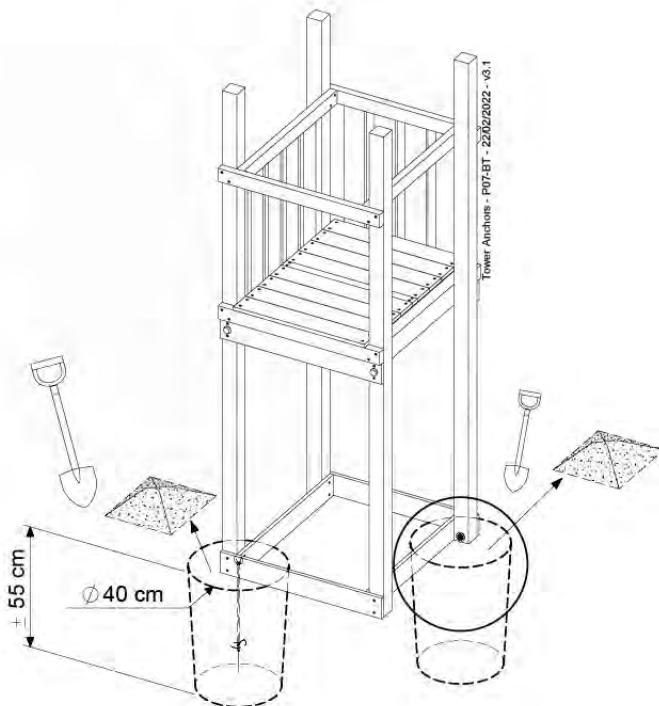
Parts:

Assembly Package Tower  
194\_300



Tower Anchors - P02-GA05 - 22/02/2022 - v3.1

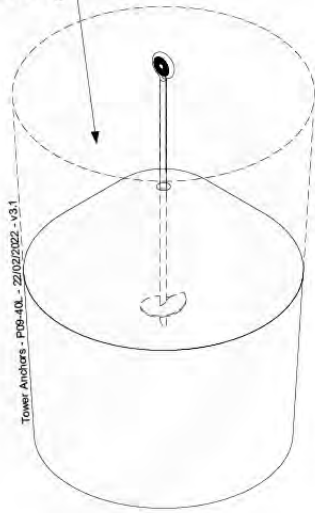
## 13-1



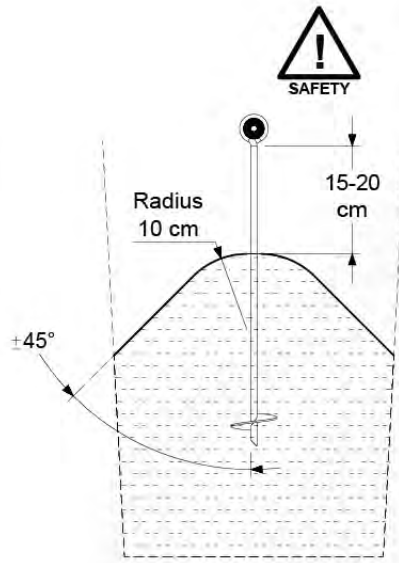
# 13-2



40 L  
/ 80 kg



1.

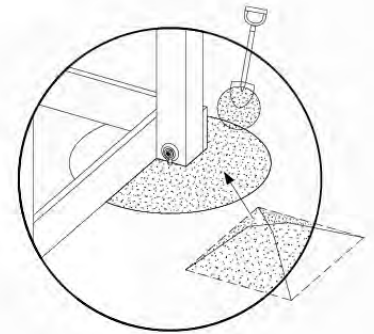


2.

24h



3.

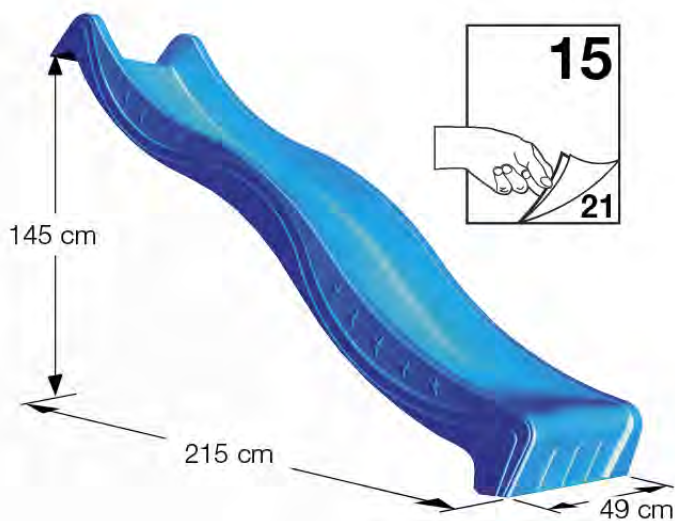


4.

# 14 Add-on

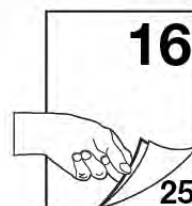
## Wavy Star Slide XXL

- 334\_100 Yellow
- 334\_200 Blue
- 334\_300 Green
- 334\_400 Red
- 334\_500 Fuchsia
- 334\_600 Dark Green



## Fireman's Pole

201\_275

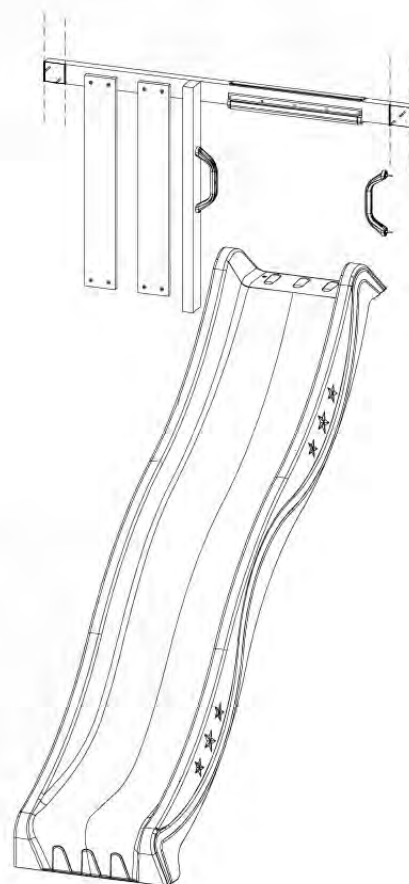


# 15 Slide Set

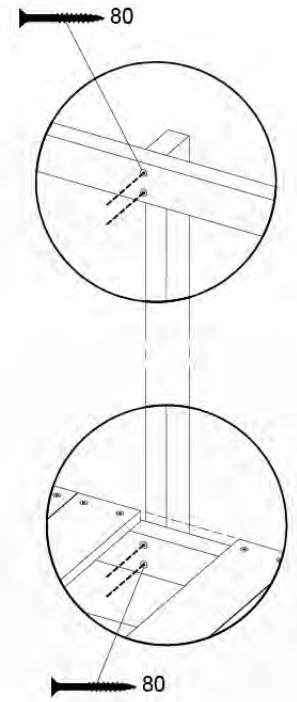
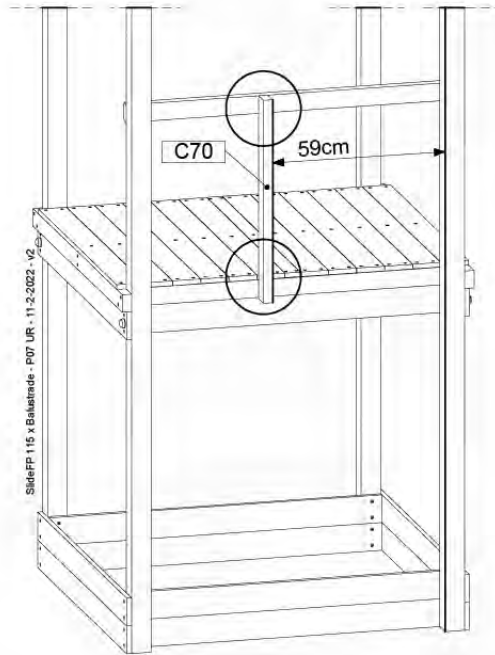
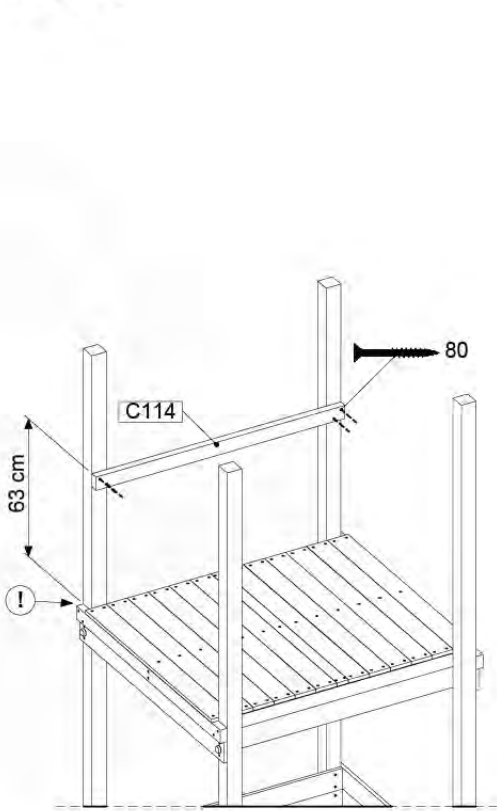
## SL11

	PartNo	PartName	QTY.
Hardware Pack	000_101	Nail Pan Head	10
	002_220	Gap Point Screw T25 - 5x45	8
	002_223	Gap Point Screw T25 - 5x80	8
	002_308	Gap Point Screw T25 - 5x20	2
Other	120_102	Handgrip set (complete 2x)	1
	123_200	Bumperpad	1
	324_xxx 334_xxx	Wavy Star Slide XL 2200 mm / Wavy Star Slide XXL 2650 mm	1
Timber	C114	Beam 1140 mm	1
	C70	Beam 700 mm	1
	D65	Board 650 mm	2

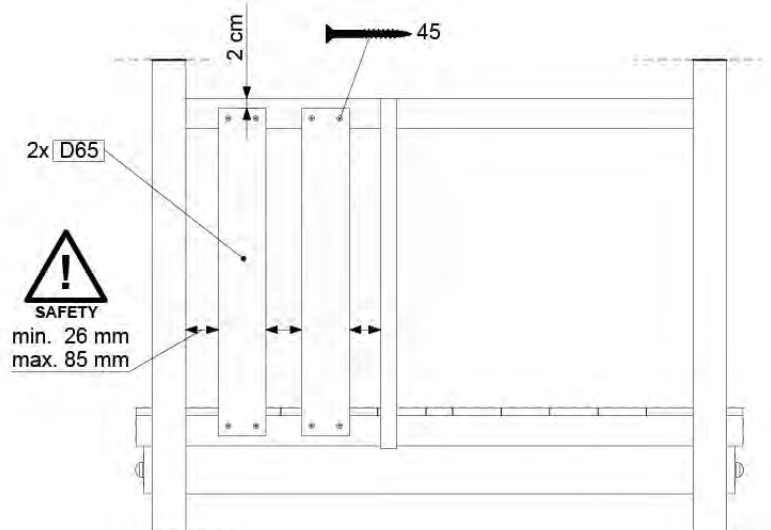
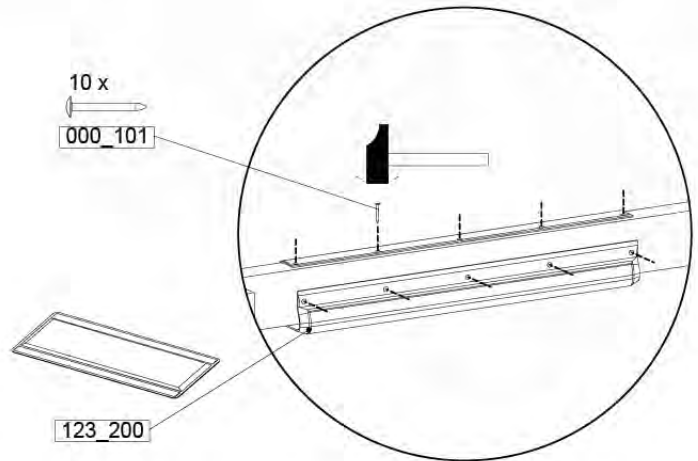
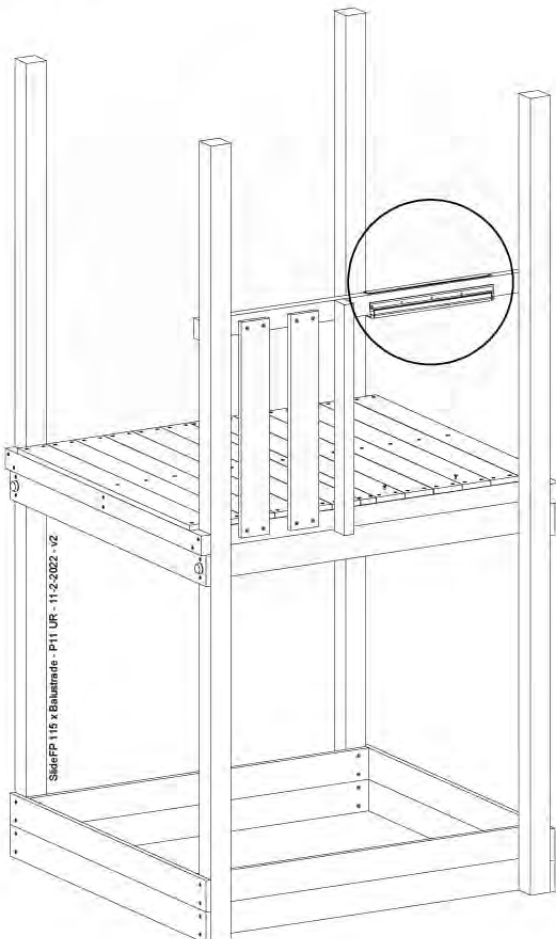
SlideFP 115 x Bhuustudio - P03 UR - 11.2.2022 - v2



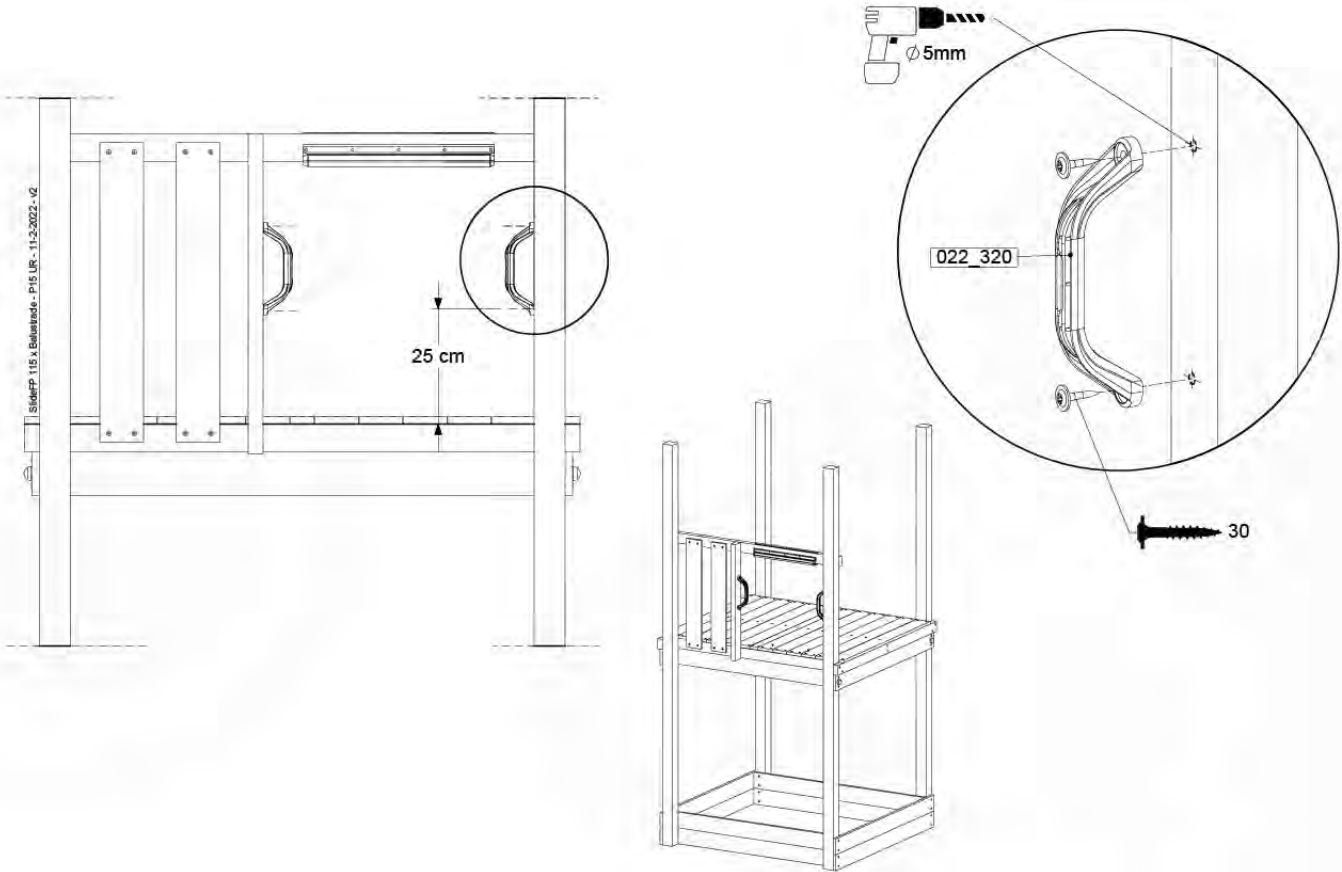
# 15-1



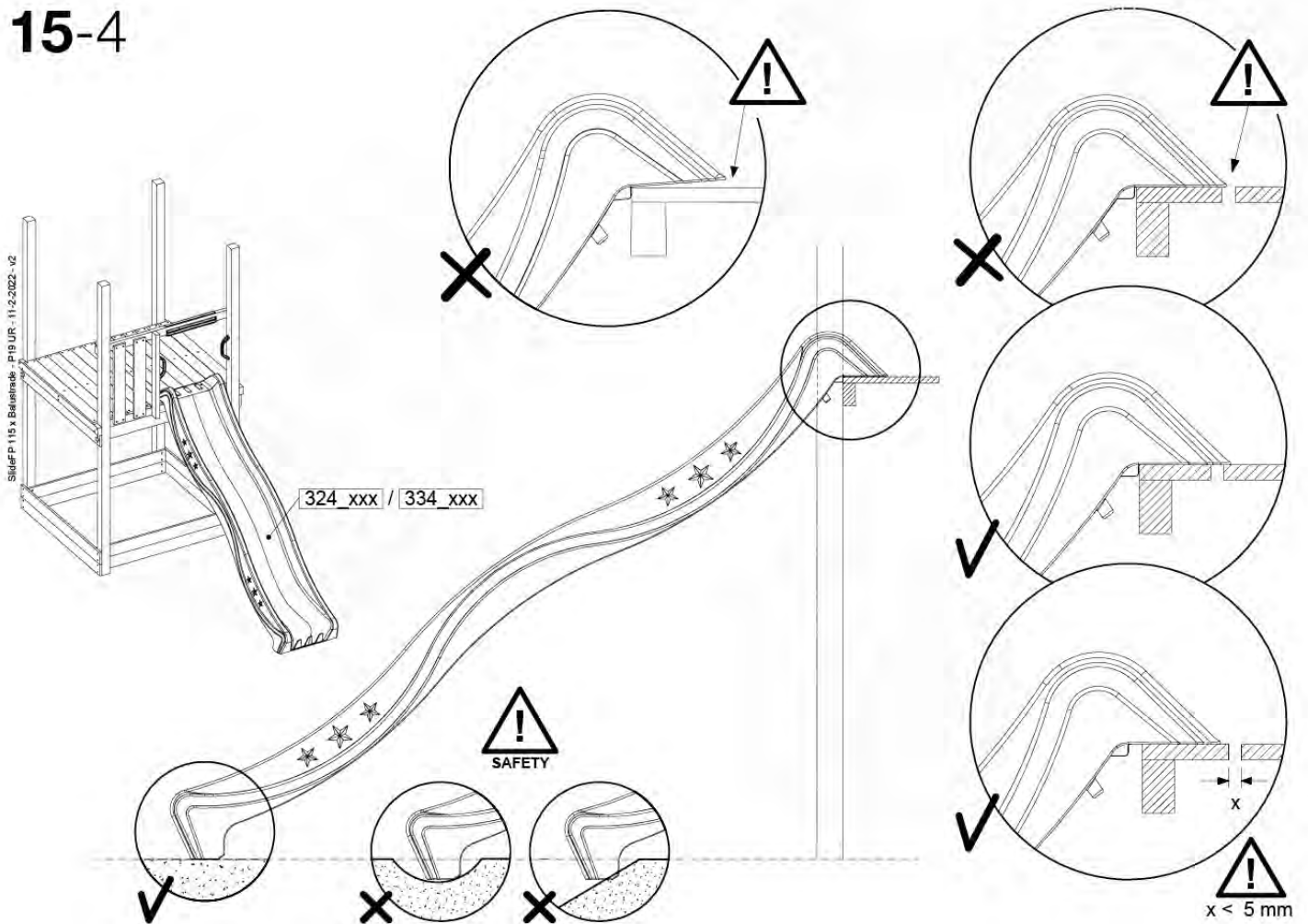
# 15-2



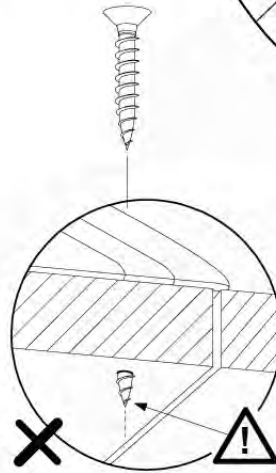
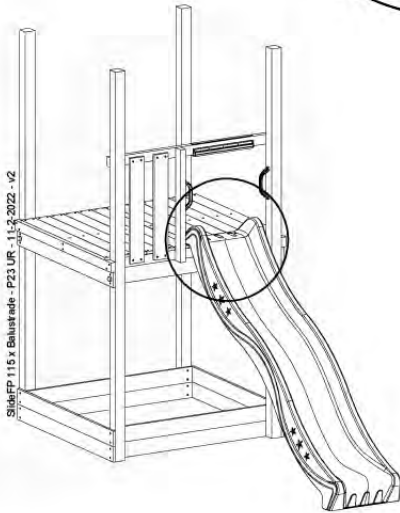
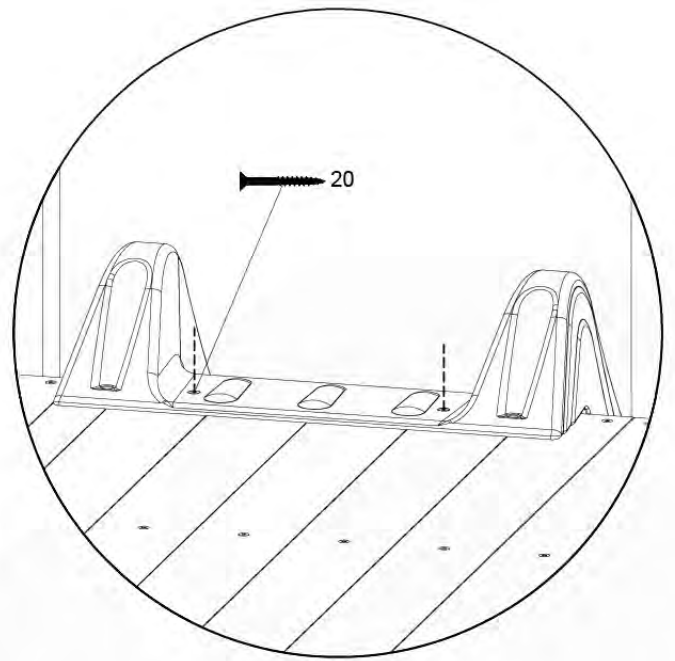
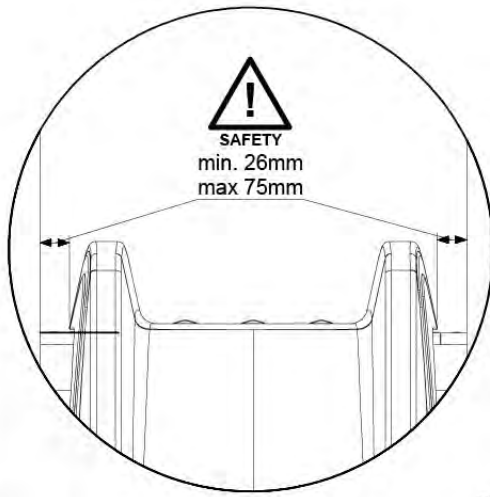
# 15-3



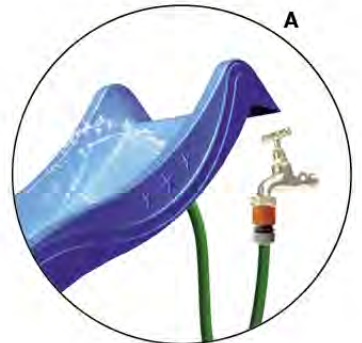
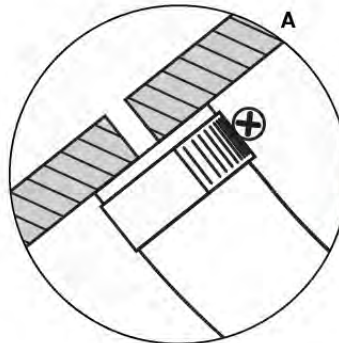
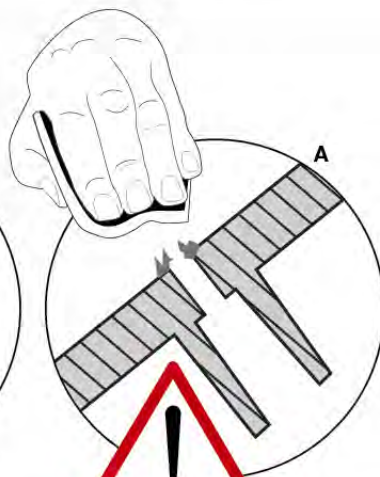
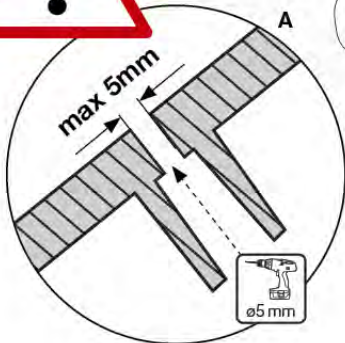
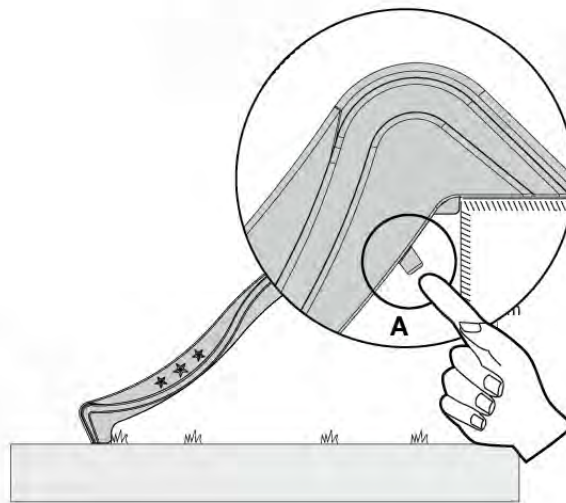
# 15-4



# 15-5



# 15-6



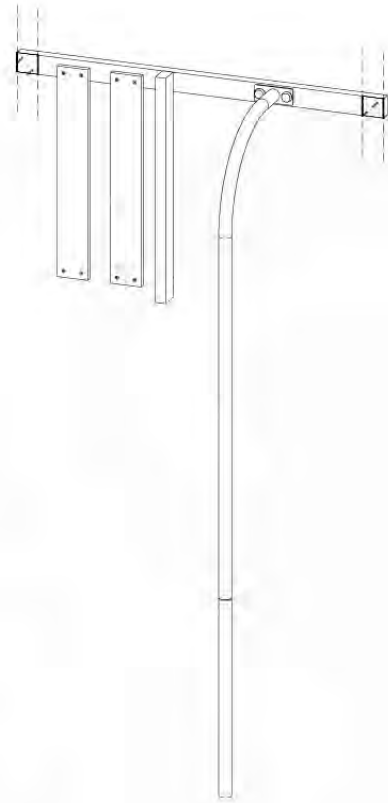


# 16 Firemans Pole

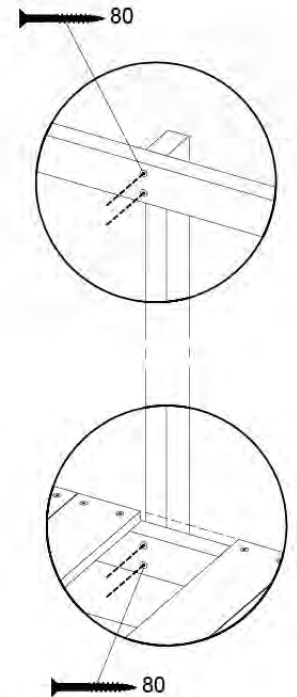
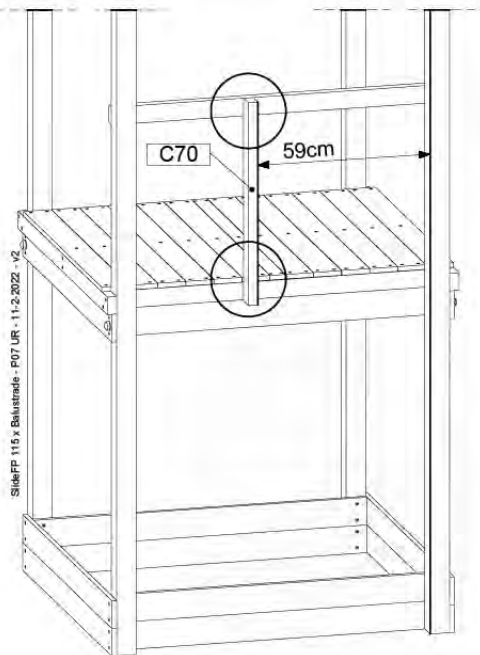
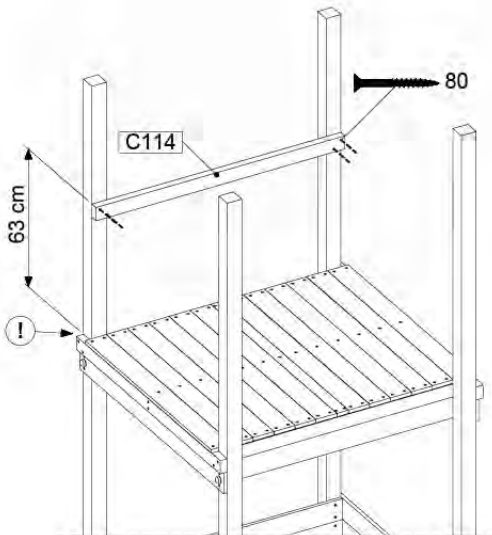
FP09

	PartNo	PartName	QTY.
Hardware Pack(s)	001_103	M8 Washer Head Screw 40mm	2
	002_220	Gap Point Screw T25 - 5x45	8
	002_223	Gap Point Screw T25 - 5x80	8
	003_010	M8 spring lock washer	2
	003_040	M8 Washer	2
	004_052	M8 Drive-in Nut 30mm	2
	004_054	M8 Drive-in Nut 45mm	2
	022_31x	bpc-base version 3	2
	022_84x	bpc cover	2
Other	102_915	Fireman's Pole	1
Timber	C70	Beam 700 mm	1
	C114	Beam 1140 mm	1
	D65	Board 650 mm	2

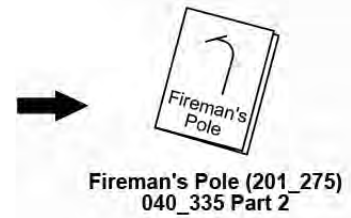
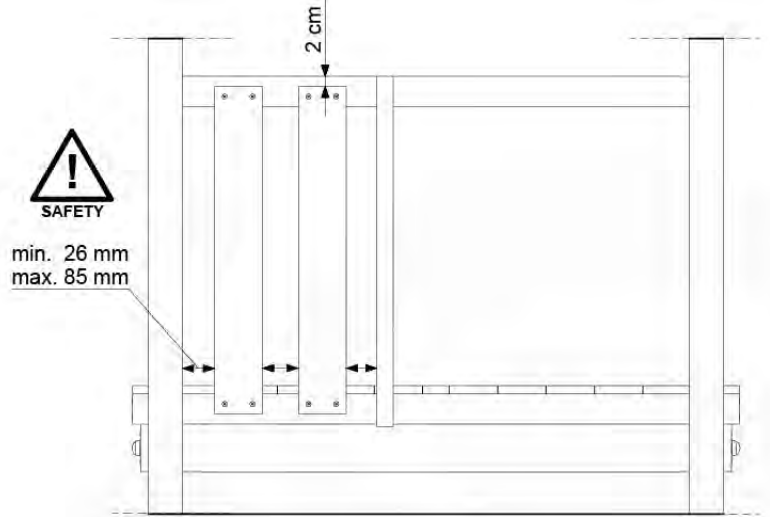
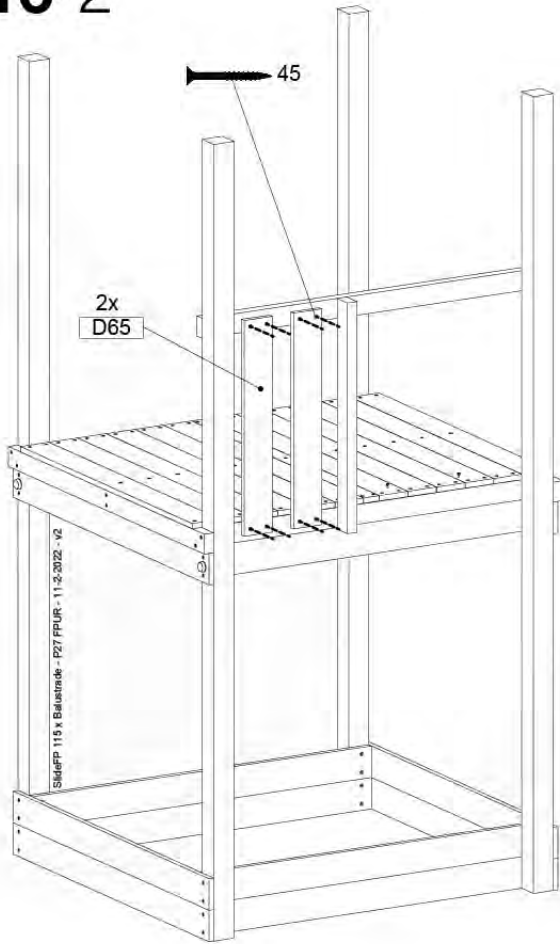
SlideFP 115 x Bauteile - P31 FFUR - 11.3.2022 - v2



## 16-1



# 16-2



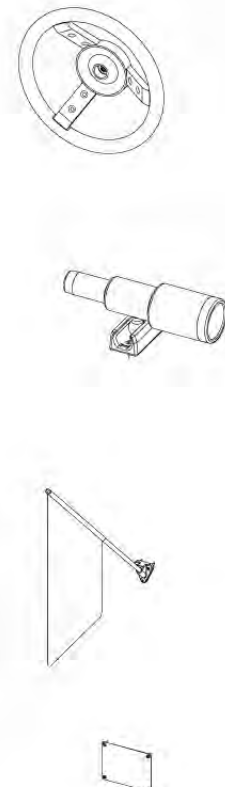
# 17 Accessories

AC01

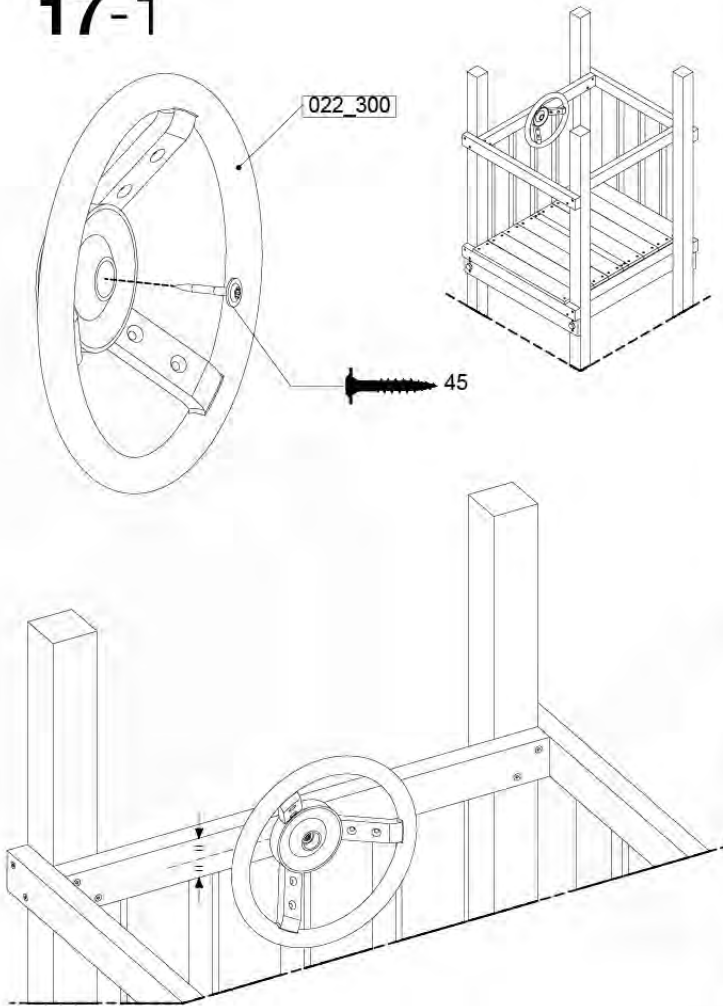
( 194\_119 )

	PartNo	PartName	QTY.
Hardware Pack 100_617	001_406	Stealth Screw 8x45	1
	002_041	Dome head screw 4.5 x 20 mm	3
	002_042	Dome head screw 3.5 x 13mm	4
	002_219	Gap Point Screw T25 - 5x30	2
Other	022_300	Steering Wheel	1
	022_800	Rail P/T 105	1
	022_910	Sandpad	1
	103_901	Logo ID Plate	1
	104_107	Tool Set Climbing Units	1
	120_024	Tower Flag	1
	122_302	Telescope	1

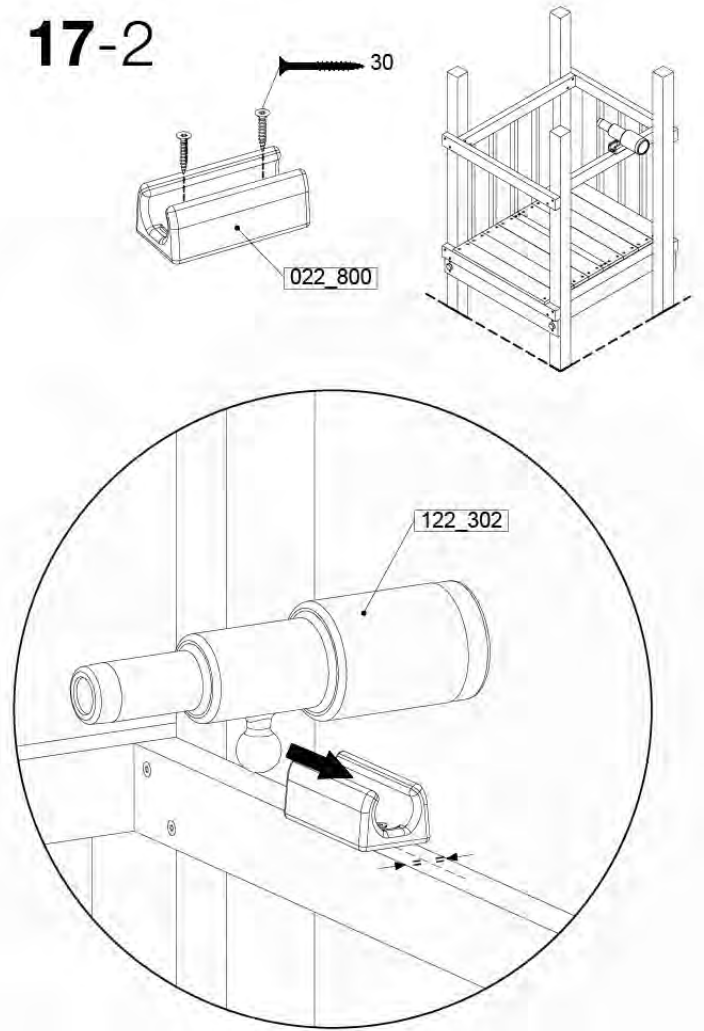
Accessory set - P02\_20-0-2021 - v4



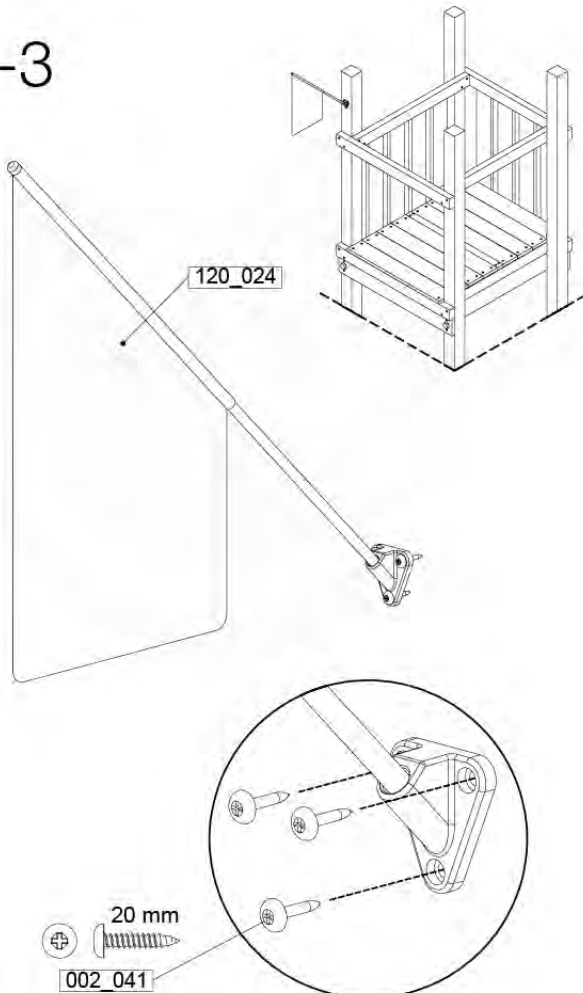
# 17-1



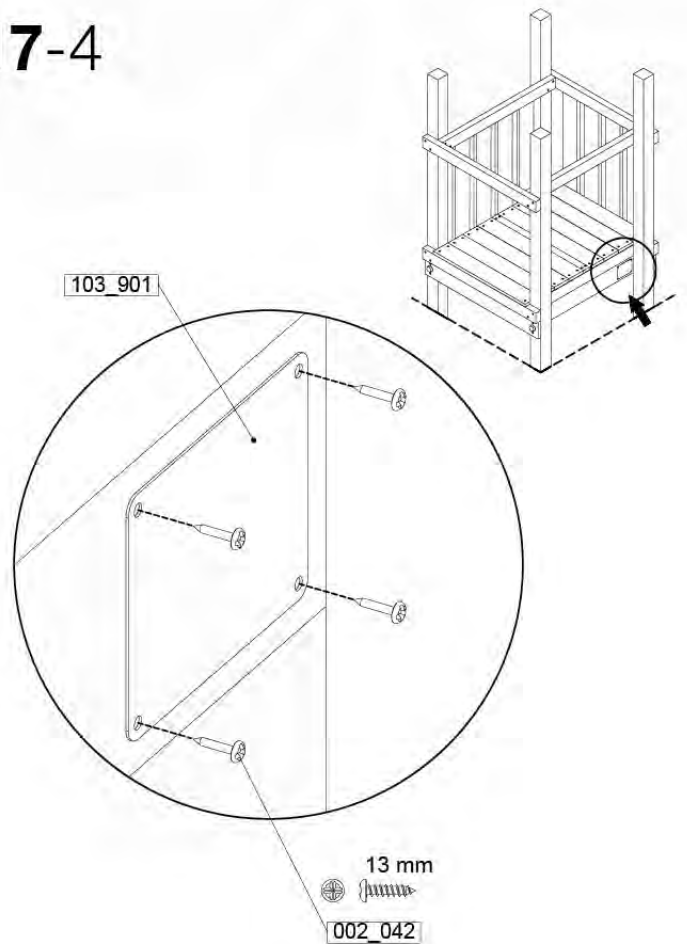
# 17-2



# 17-3



# 17-4

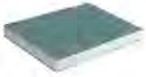


Accessories set - P03 - 29-9-2021 - v4

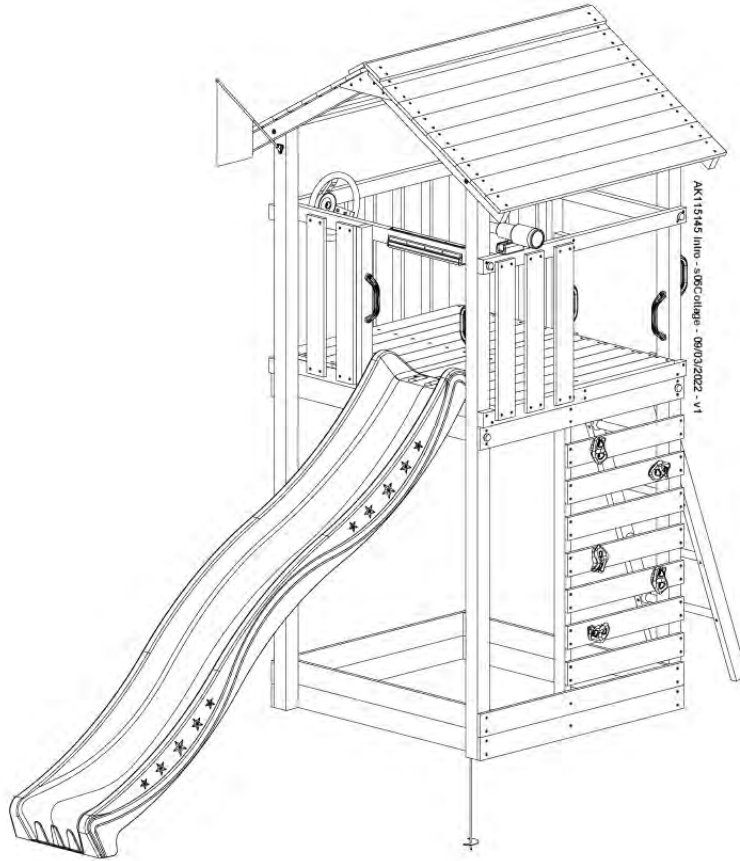
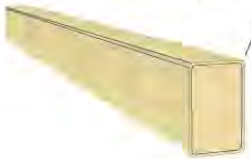
Accessories set - P04 - 29-9-2021 - v4

# 17-5

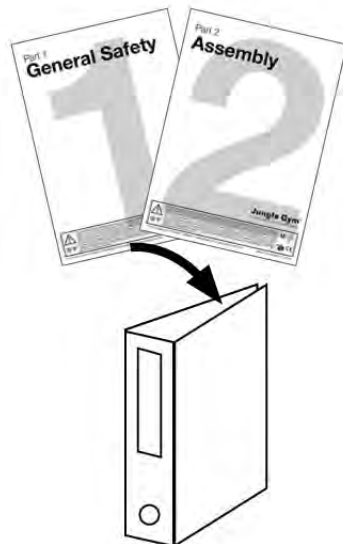
1x  
022\_910



Radius = 3 mm



# 18



# Declaration of Conformity

# Jungle Gym

## BACKYARD PLAYGROUNDS

since 1988

### Manufacturer details

Company Name

Jungle Gym B.V.

Tag-line

Backyard Playgrounds

Address

P.O. Box 75083, 1070 AB Amsterdam, Netherlands

### Activity toys for domestic use

Product Range Identification

Sub-Assembly

Universal Packs / Base Towers / Extension Towers / Roofs / Means of Exit/Access / Add-ons : 790\_001 ... 794\_911

Assembly

Playtowers : 801\_005 ... 200

Links : 870\_100 ... 105

Accessories : 123\_220 ... 250\_075

Playhouses : 830\_150 ... 253, 835\_251 ... 253

Swings : 801\_300, \_600, \_601

Slides (XL) : 324\_100 ... 600

Modules : 850\_180 ... 415

Slides (XXL) : 334\_100 ... 600

: 857\_103, 857\_108

Playtowers : 802\_202 ... 208

857\_151, 857\_158

803\_202 ... 210

809\_202 ... 804

### Applicable EC directives and standards

Chemical References

1. Migration of certain elements (17x + Chr VI + tin) as required in TSD 2009/48/EC and its amendments. Scrape off toy material. Tested according to EN 71-3:2019.

5. Content of 7 Phthalates (18x) according to REACH (EG) no.1907/2006, Annex XVII. Tested according to COC-CH-C1011-09.3 and EN 15777 / QMA 2011.1300

9. Content of 3 Flame retardants according to REACH (EG) no. 1907/2006, Annex XVII. Tested according to EN 62321-6.

2. Migration of solvents, monomers and plasticizers as specified in "Safety for Toys: Organic Chemical Compounds", EN 71-9: 2005 + A1: 2007. Tested according to EN 71-10: 2005 & EN 71-11: 2005.

6. Content of Cadmium according to REACH (EG) no. 1907/2006, Annex XVII. Tested according to EN 17294-2

10. NI release according to REACH (EG) no. 1907/2006, Annex XVII. Tested according to EN 71-3:2013+A1:2014.

3. Content of N-nitrosamines and N-nitrosatable substances as specified in EN standard 71-12: 2013. Tested according to EN 71-12: 2013.

7. Formaldehyde according to REACH (EG) no. 1907/2006, Annex XVII. Tested according to EN 14184

11. Sweat and Salvia resistance tested according to DIN 53160

4. Content of 18 PAHs (Polycyclic Aromatic Hydrocarbons) as referred in AfPS GS 2014:01 PAK (Replaced on 2019:01). Tested according to QMA 2011.1284

8. Azo dyes according to REACH (EG) no. 1907/2006, Annex XVII. Tested according to BVL B 82.02-2.

Mechanical physical properties + flamability

EN 71 - 1 : 2014 + A1: 2018 EN 71 - 2 : 2011 + A1: 2014 EN 71 - 8 : 2018

### Supplementary information

Conformity to the above specified directives and standards has been frequently verified and is continuously monitored by TÜV Süd, TÜV Rheinland LGA products, DEKRA (DE), STR Ltd (UK), LNE SA (FR), LMR Ltd (US) and IPS N.V. (BE) since 1994. Jungle Gym participates in the European Commission for standardisation for the safety of activity toys ( TC52 / WG 10).

### Declaration

I hereby declare under our sole responsibility that the products mentioned above, to which this declaration relates, complies with the above mentioned directives and standards.



Name

Mr. P. Schmit / Director

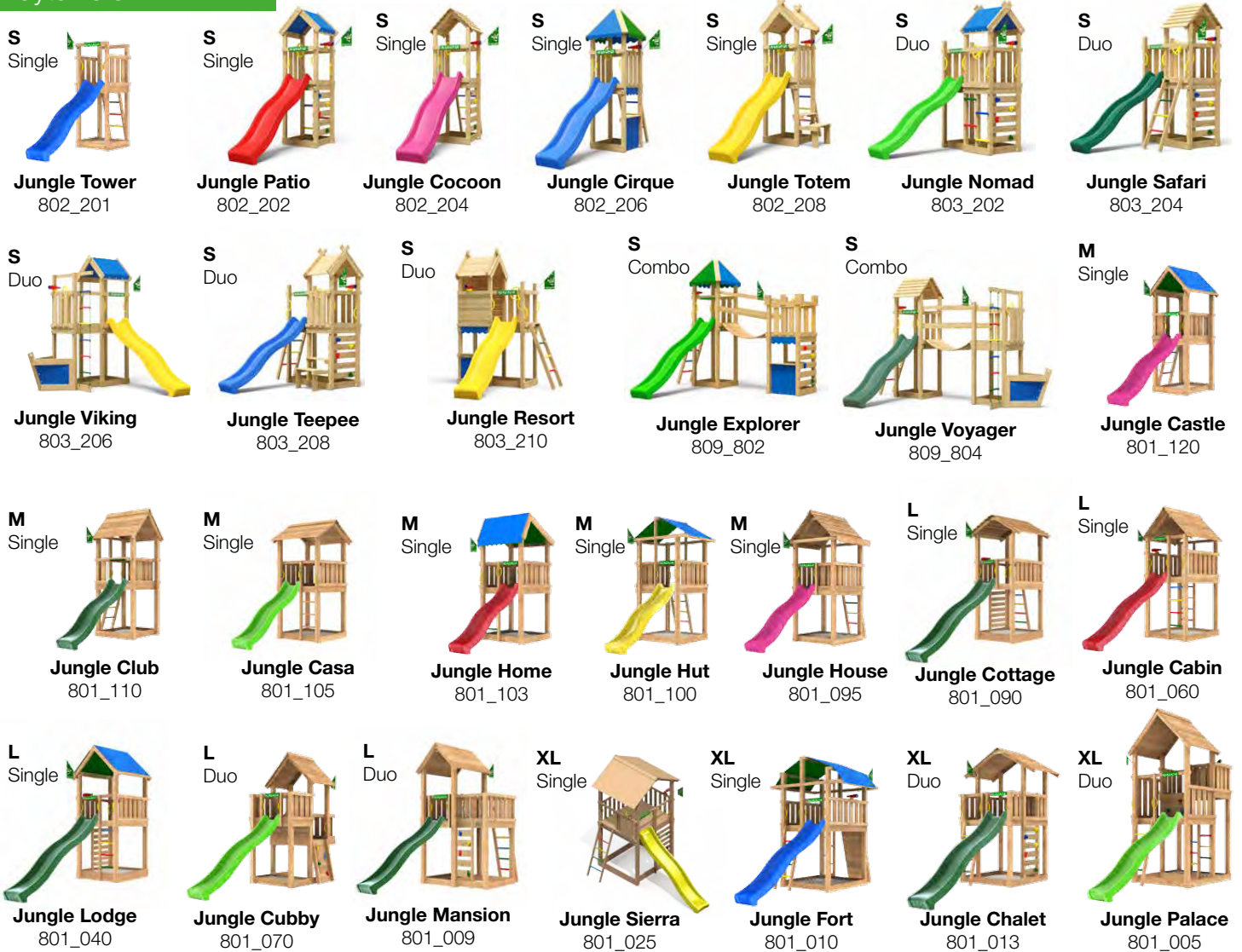
Issued date

Januari 2<sup>nd</sup>, 2023

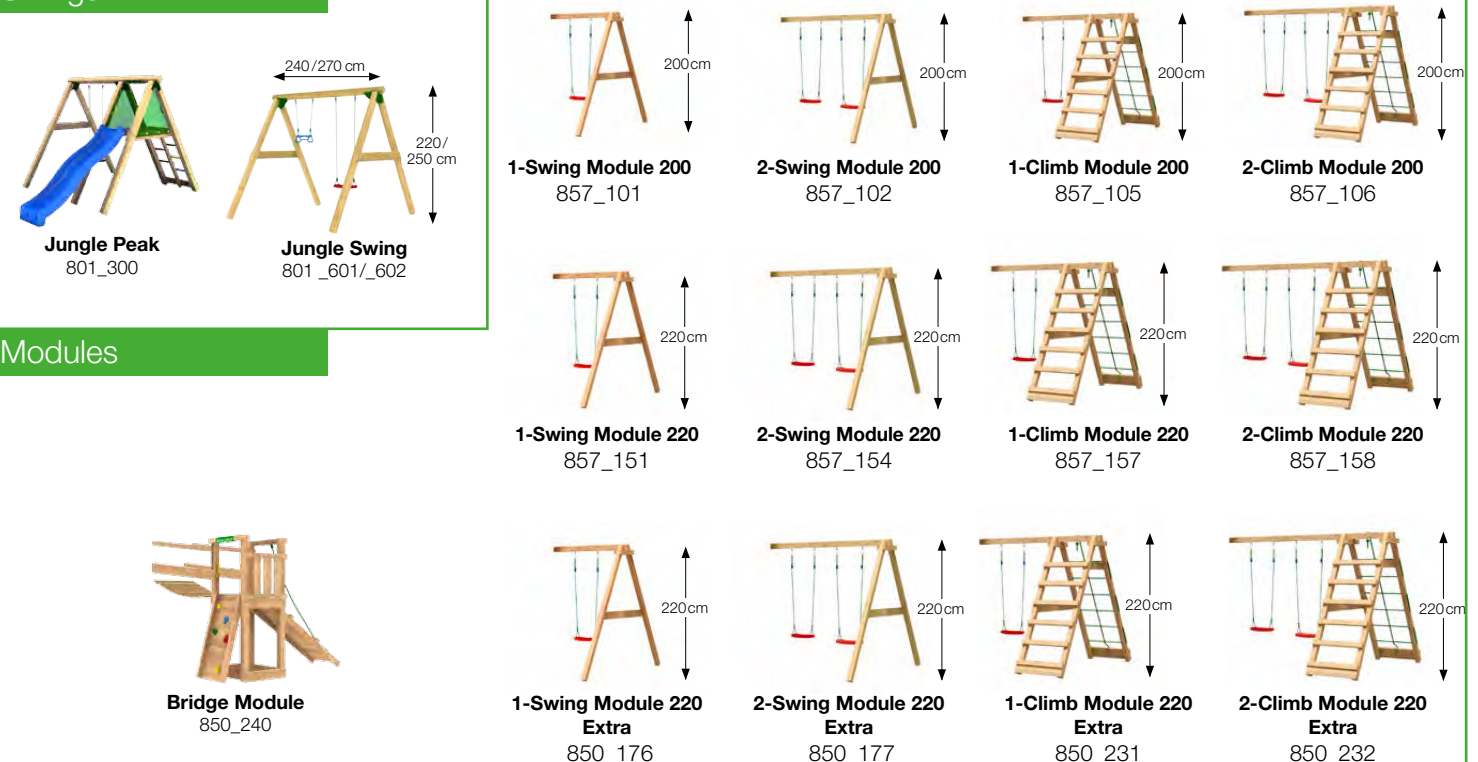
Signature of representative

# Construction Packages (Assembly)

## Playtowers



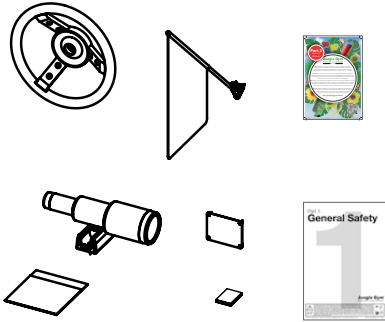
## Swings



## Modules

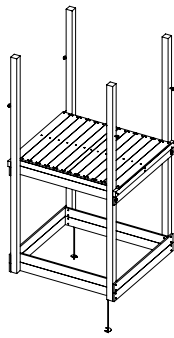
# Construction Packages (Sub-Assembly)

## Universal Packs (AC)



**Accessory set**  
194\_119

## Base Towers (BT)

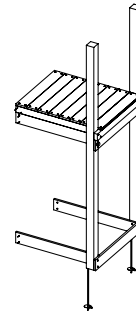


**Tower 80**  
790\_001  
790\_002  
790\_003  
790\_005

**Tower 115**  
792\_001  
792\_002  
792\_003

**Tower 140**  
794\_001

## Extension Towers (ET)

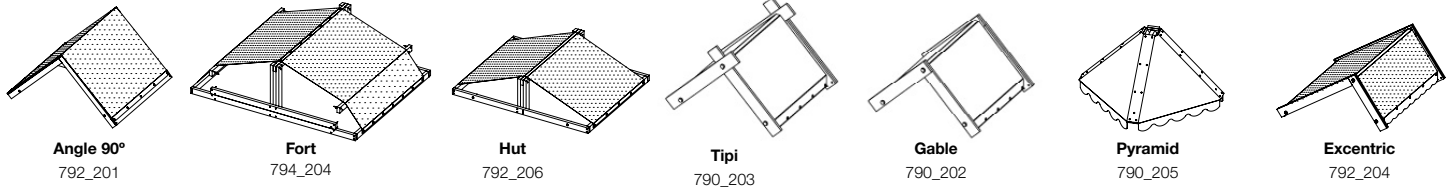


**Tower 80**    **Tower 140**  
790\_101    794\_102  
790\_102    794\_103  
794\_104

**Tower 115**  
792\_101    794\_105  
792\_102    794\_106  
792\_103    794\_108  
792\_104    794\_109  
792\_105    794\_110  
792\_106  
792\_107  
792\_108  
792\_109  
792\_110  
792\_111  
792\_112  
792\_113  
792\_114

## Roofs (RF)

### Roof tarp



**Angle 90°**  
792\_201

**Fort**  
794\_204

**Hut**  
792\_206

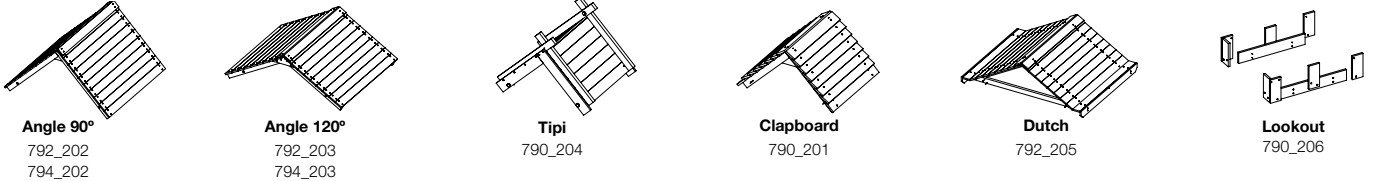
**Tipi**  
790\_203

**Gable**  
790\_202

**Pyramid**  
790\_205

**Excentric**  
792\_204

### Roof wood



**Angle 90°**  
792\_202  
794\_202

**Angle 120°**  
792\_203  
794\_203

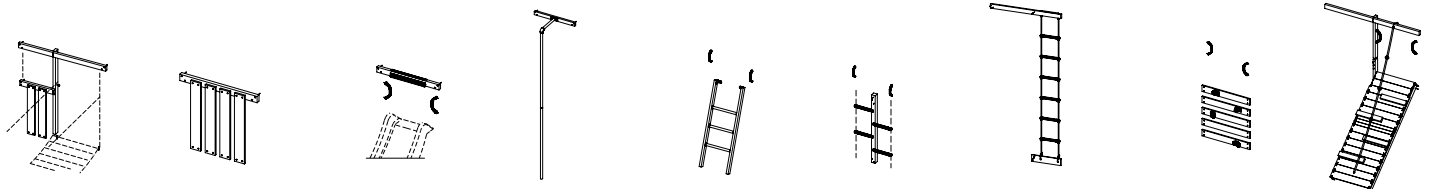
**Tipi**  
790\_204

**Clapboard**  
790\_201

**Dutch**  
792\_205

**Lookout**  
790\_206

## Means of Exit/Access



**Bridge Frames**  
**BF**  
792\_602  
794\_602

**Balustrades**  
**BL**  
790\_301  
792\_301  
794\_301  
794\_302

**Slides**  
**SL**  
790\_901  
792\_901  
792\_902  
792\_903  
794\_901

**Firemans Poles**  
**FP**  
790\_903  
792\_911  
792\_912  
792\_913  
794\_911

**Ladder**  
**LA**  
790\_433  
790\_434  
792\_431  
792\_432  
794\_431  
794\_432

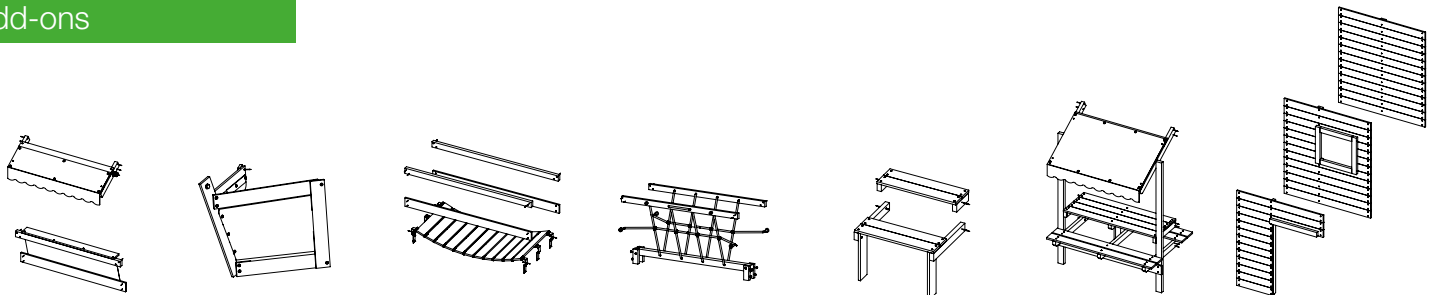
**Two Step Ladder**  
**TS**  
790\_413  
790\_414  
792\_411  
792\_412  
794\_411  
794\_412  
794\_413  
794\_414

**Rope ladder**  
**RL**  
790\_421  
792\_421  
792\_422  
794\_421

**Rock wall**  
**RW**  
790\_403  
790\_404  
792\_401  
792\_402  
794\_401  
794\_402

**Ramp**  
**RA**  
790\_441  
792\_441  
794\_441

## Add-ons



**Market**  
**MT**  
790\_502  
792\_502  
794\_502

**Boat front**  
**BO**  
790\_501

**Clatter bridge 80**  
**CB**  
790\_601

**Net bridge 80**  
**NB**  
790\_611

**Picnic 80**  
**PC**  
790\_503

**Picnic 115/140**  
**PC**  
792\_503  
794\_503

**Playhouse panels**  
**PH**  
790\_311    794\_311  
792\_313    794\_312  
792\_311    794\_313  
792\_312    794\_314  
792\_313  
792\_314

# Construction Packages (accessorie-assembly)

## Imagination



**Steering Wheel Yellow**  
201\_280



**Fun Phone**  
201\_285



**StarOscope™**  
201\_290



**Steering Wheel Boat**  
202\_473



**PeekOscope™**  
201\_295

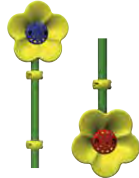


**Shutters 2x blue**  
250\_075



**Tic Tac Toe**  
450\_310

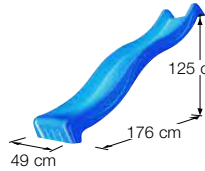
**Bucket**  
450\_320



**Talking Tube™**  
450\_330

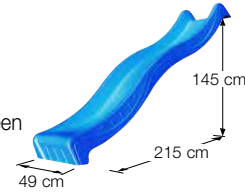
### Wavy Star Slide XL

- 324\_100 Yellow
- 324\_200 Blue
- 324\_300 Green
- 324\_400 Red
- 324\_500 Fuchsia
- 324\_600 Dark Green



### Wavy Star Slide XXL

- 334\_100 Yellow
- 334\_200 Blue
- 334\_300 Green
- 334\_400 Red
- 334\_500 Fuchsia
- 334\_600 Dark Green



## Swinging



**Sling Swing Kit Yellow**  
250\_001



**Monkey Bar Kit Blue**  
250\_013



**Baby Swing Kit Red**  
250\_025



**Swing Seat Kit Red**  
250\_034



**Twist Disk Kit Green**  
250\_053

## Climbing



**AP Two Step Ladder 80**  
194\_102



**AP Step Ladder 80\_125**  
194\_103



**AP Step Ladder 80\_145**  
194\_104



**AP Rock-Wall 80\_125**  
194\_105



**AP Rope Ladder**  
194\_115



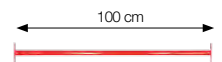
**AP Clatter Bridge**  
194\_116



**Climbing Rope**  
201\_060



**Fireman's Pole**  
201\_275



**Gymnastics bar**  
201\_273

## Functional



**Canvas blue/green**  
123\_220 ±136x 74cm  
123\_222 ±185x120cm



**Mesh green**  
123\_230



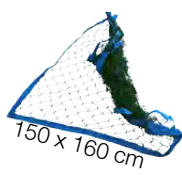
**Swing Hook Screw 2x**  
201\_115



**Bolt Caps 10x / 40x**  
White □ 202\_620 202\_629  
Yellow ■ 202\_621 202\_625  
Blue ■ 202\_622 202\_626  
Green ■ 202\_623 202\_627  
Red ■ 202\_624 202\_628



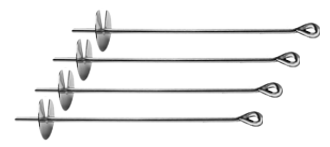
**Bumper Pad (2pcs)**  
202\_824



**Cat Stop™**  
201\_220



**Handgrips**  
■ 201\_250 Yellow  
■ 201\_260 Blue  
■ 201\_270 Green



**Ground Anchors**  
250\_070