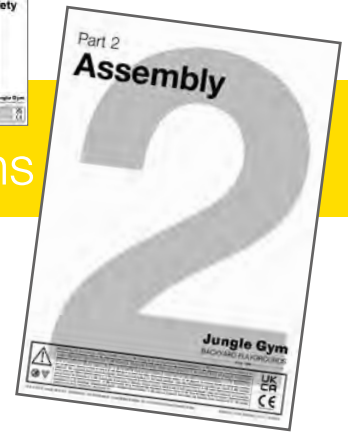


Part 2

Assembly

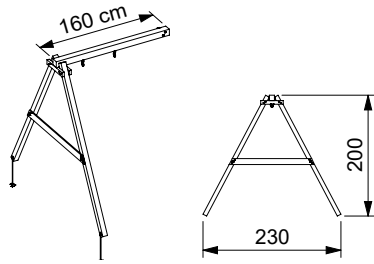
Instructions



Swing Module

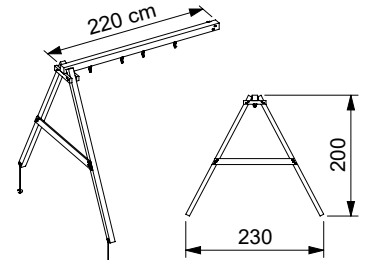
1-Swing Module 200

857_101



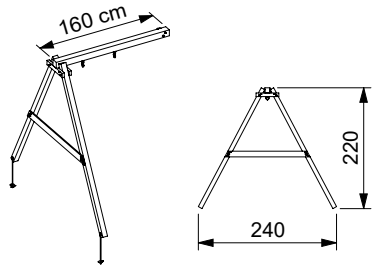
2-Swing Module 200

857_102



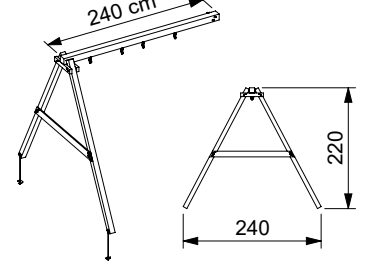
1-Swing Module 220

857_151



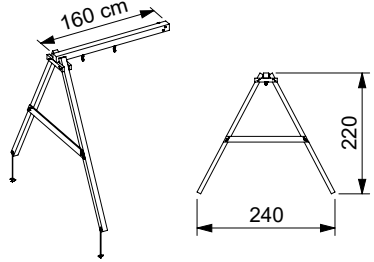
2-Swing Module 220

857_152



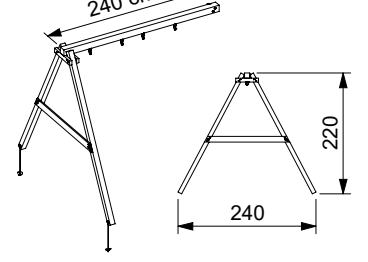
1-Swing Module 220 Extra

850_176



2-Swing Module 220 Extra

850_177



EN 71-1,-2,-3,-8&-9

1^h

Jungle Gym


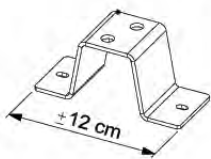
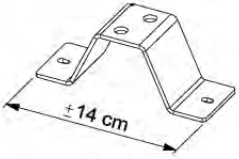




BACKYARD PLAYGROUNDS

since 1988

| | 1 position | 2 positions | | 1 position | 2 positions |
|---|------------|-------------|---|------------|-------------|
| EN. Warnings. Only for domestic use. Maximum number of users is: | 1 | 2 | LT. Įspėjimai. Tik buitiniam naudojimui. Maksimalus naudotojų skaičius : | 1 | 2 |
| DE. Achtung. Nur für den Hausgebrauch. Maximale Benutzerzahl: | 1 | 2 | HR. Upozorenja. Samo za kućansku uporabu. Maksimalan broj korisnika je : | 1 | 2 |
| FR. Attention. Réservé à un usage familial. Le nombre maximal d'utilisateurs est de : | 1 | 2 | HU. Figyelmeztetések. Csak otthoni használatra! A használók max. száma: : | 1 | 2 |
| NL. Waarschuwingen. Uitsluitend voor huishoudelijk gebruik. Het maximale aantal gebruikers is: | 1 | 2 | NO. Advarsler. Kun for privat bruk. Maksimalt antall brukere er : | 1 | 2 |
| BG. Внимание. За употреба само в домашни условия. Максималният брой потребители е: | 1 | 2 | PL. Ostrzeżenia. Wyłącznie do użytku domowego. Maksymalna liczba użytkowników to : | 1 | 2 |
| ES. Advertencias. Sólo para uso doméstico. Número máximo de usuarios: | 1 | 2 | PT. Avisos. Apenas para uso doméstico. O número máximo de utilizadores é : | 1 | 2 |
| CS. Varování. Jen pro domácí použití. Maximální počet uživatelů je : | 1 | 2 | RO. Avertismente. Numai pentru uz domestic. Numărul maxim de utilizatori este : | 1 | 2 |
| DA. Advarsler. Kun til privat brug. Maksimum antal brugere er : | 1 | 2 | RU. Предостережения. Только для домашнего использования. | 1 | 2 |
| ET. Hoiatused. Ainult koduseks kasutamiseks. Maksimalne kasutajate arv on : | 1 | 2 | Максимальное количество пользователей - : | 1 | 2 |
| EL. Προειδοποιήσεις. Μόνο για οικιακή χρήση. Μέγιστος αριθμός χρηστών : | 1 | 2 | SK. Upozornenia. Iba na domáce použitie. Maximálne množstvo osôb je : | 1 | 2 |
| IS. Varnaðarorð. Eingöngu fyrir einkanotkun í heimahúsum og á einkalóðum. Hámarksfjöldi notenda er : | 1 | 2 | SL. Opozorila. Samo za domačo uporabo. Maksimalno število uporabnikov je : | 1 | 2 |
| IT. Avvertenze. Solo per uso domestico. Massimo numero di utenti è : | 1 | 2 | FI. Varoitukset. Ainoastaan kotikäyttöön. Käyttäjää yhteensä enintään : | 1 | 2 |
| LV. Brīdinājumi. Izmantoj tikai mājās. Maksimālais lietotāju skaits ir : | 1 | 2 | SR. Upozorenja. Samo za kućnu upotrebu. Maksimalan broj korisnika je : | 1 | 2 |
| | | | SV. Varningar. Endast för hemmabruk. Det maximala antalet användare är : | 1 | 2 |
| | | | TR. Uyarılar. Sadece ev kullanımı için. Maksimum kullanıcı sayısı : | | |

01 What's in the Delivery?







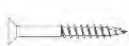
457_102

| | | | | |
|---|---|---|--|---|
| <p>1x 040_805 General Safety</p> <p>1x 040_170 Assembly</p>  | <p>1x 005_528</p>  <p>Module</p> | <p>1x 005_529</p>  <p>Module Extra</p> | <p>1x 100_160</p>  | <p>1x 104_403</p>  |
| <p>2x 007_001</p>  | <p>4x 101_003</p>  | | | |

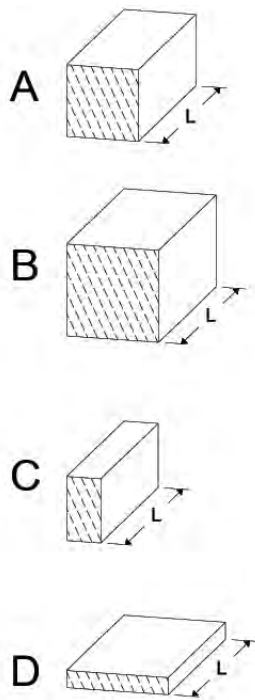
02 Hardware

100_160 HWP Swing module

20211025

| | | | | | | | |
|---------|------------|---|------------|---------|-----------|---|------|
| 001_422 | 3x |  | ø8 x 137mm | 023_031 | 2x |  | ø5mm |
| 001_417 | 4x |  | ø8 x 80mm | 120_005 | 2x |  | M8 |
| 001_406 | 4x |  | ø8 x 45mm | | | | |
| 002_223 | 6x |  | ø5 x 80mm | | | | |
| 002_220 | 12x |  | ø5 x 45mm | | | | |

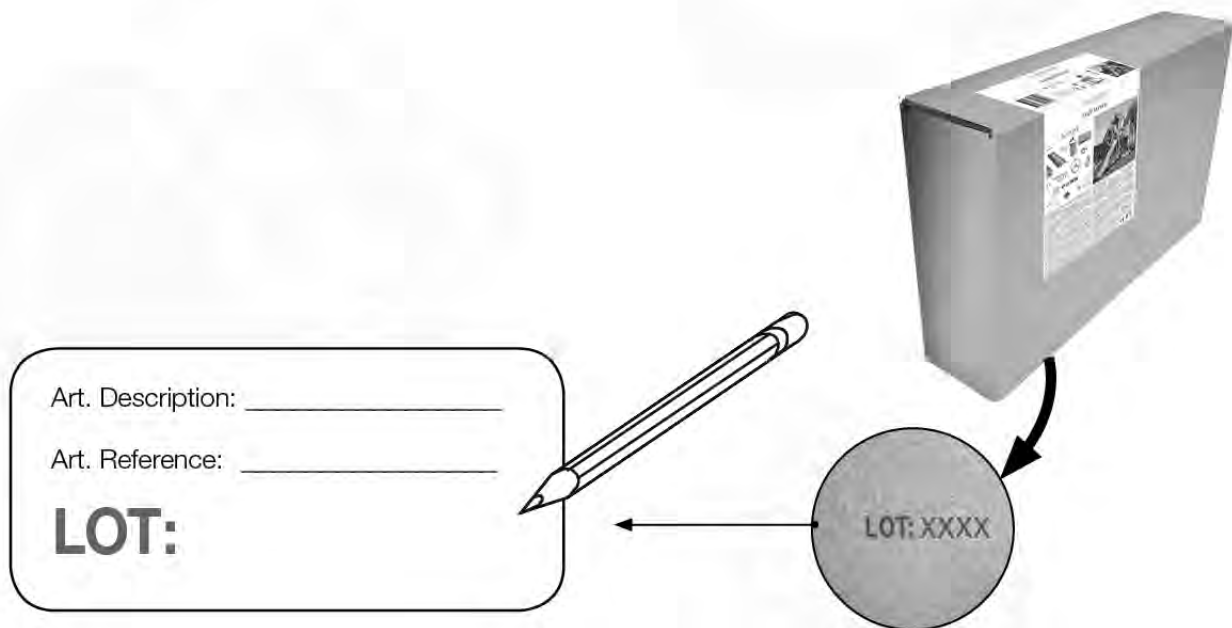
03 Timber



| | | 1-Swing Module 200 | 2-Swing Module 200 | 1-Swing Module 220 | 2-Swing Module 220 | 1-Swing Module 220 Extra | 2-Swing Module 220 Extra |
|----------------------|---|-----------------------|-----------------------|-----------------------|-----------------------|-----------------------------|-----------------------------|
| L | | 657_101 | 657_102 | 657_151 | 657_152 | 650_178 | 650_179 |
| A240 A220 | 239cm - 240cm 219cm - 220cm | 2 x | 2 x | 2 x | 2 x | | |
| B240 B220 B160 | 239cm - 240cm 219cm - 220cm 159cm - 160cm | 1 x | 1 x | 1 x | 1 x | 2 x 1 x | 3 x |
| C37 | 36cm - 37cm | 2 x | 2 x | 2 x | 2 x | 2 x | 2 x |
| D141 | 140cm - 141cm | 2 x | 2 x | 2 x | 2 x | 2 x | 2 x |

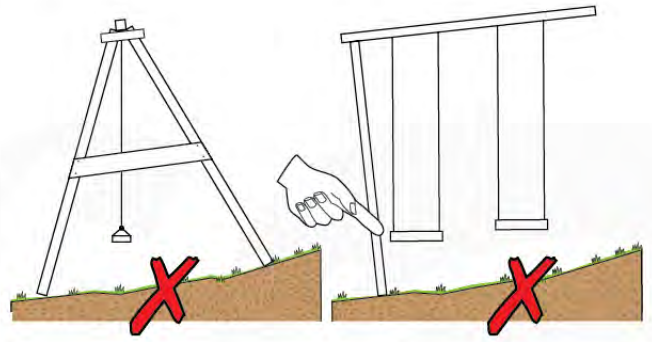
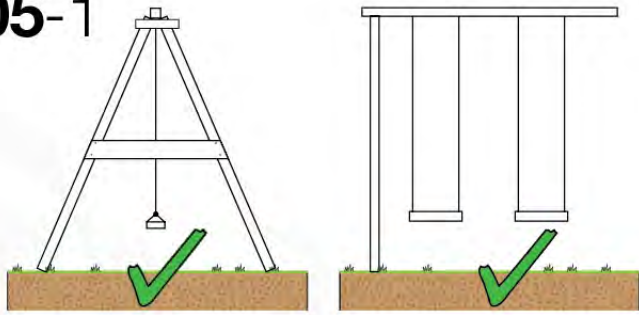
28-Oct-2021

04 Product ID

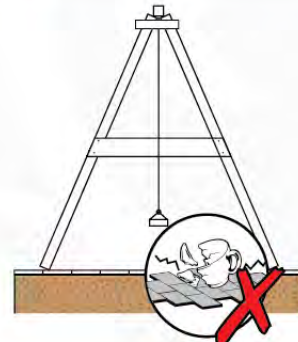
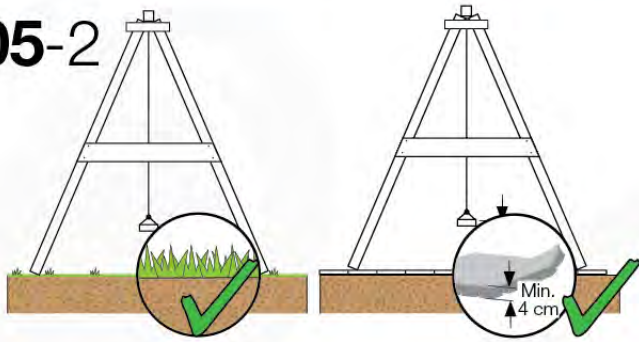


05 Safe Playground Planning

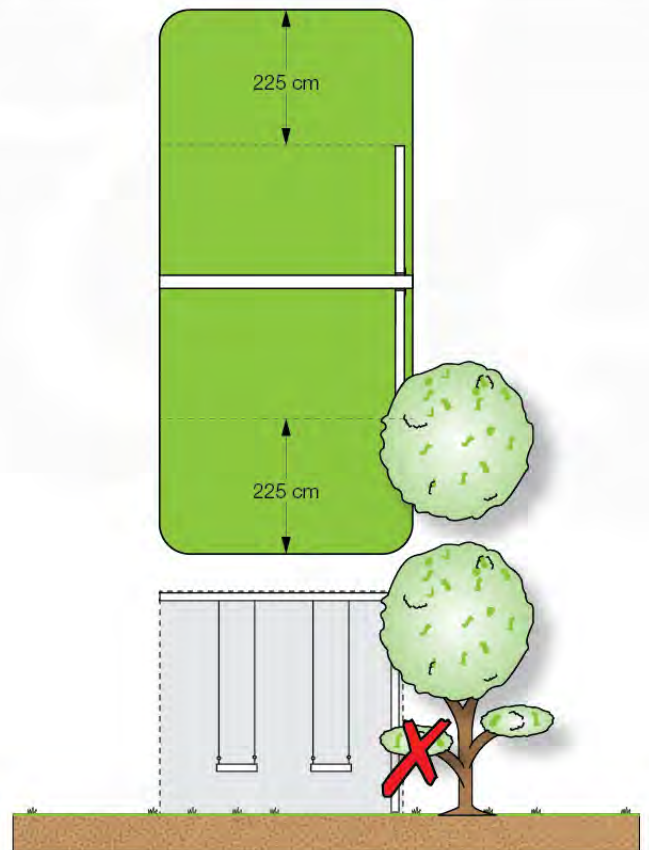
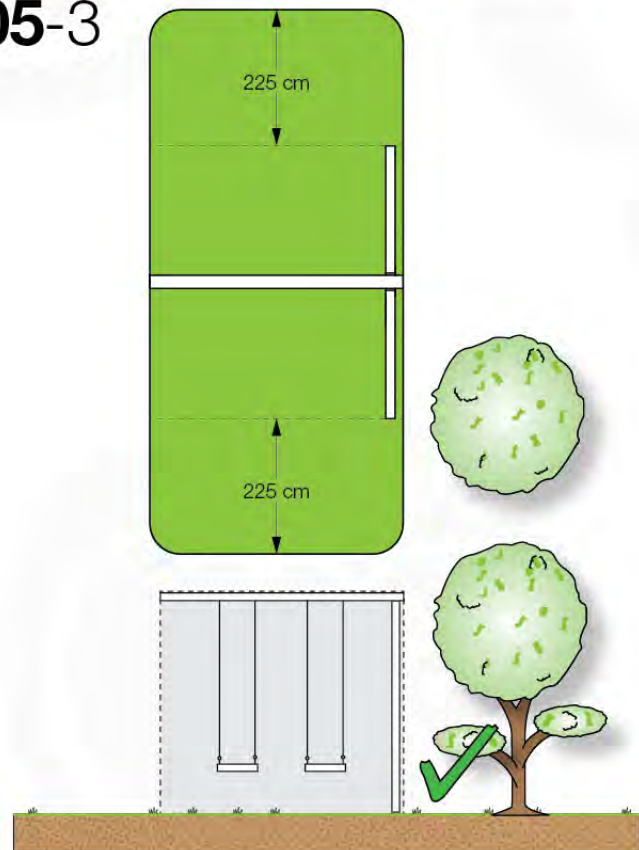
05-1



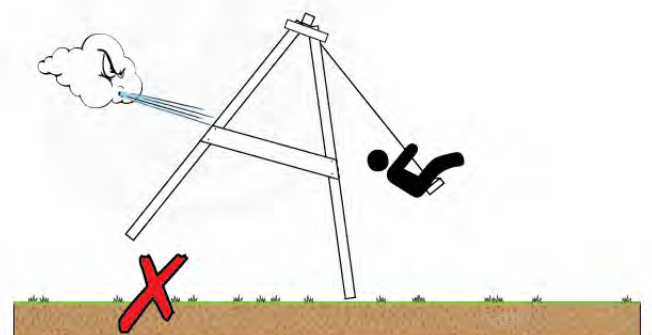
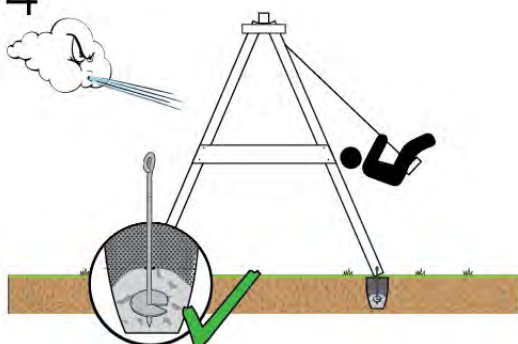
05-2



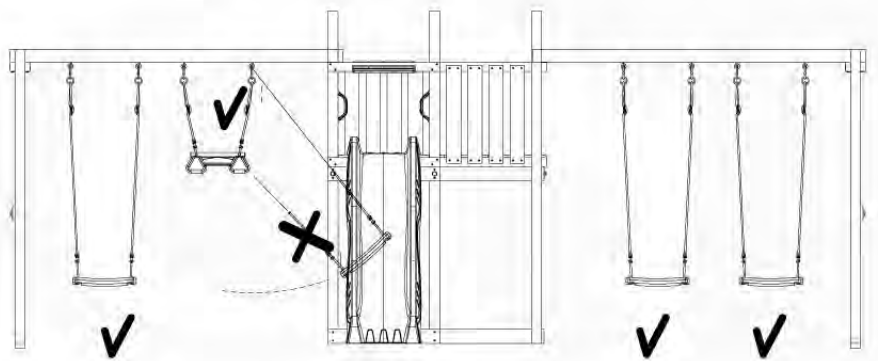
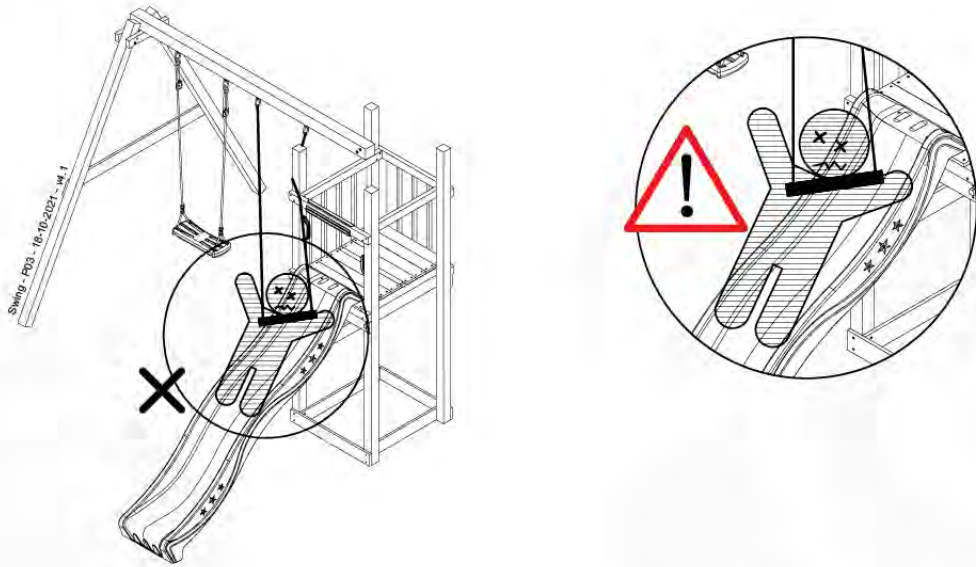
05-3



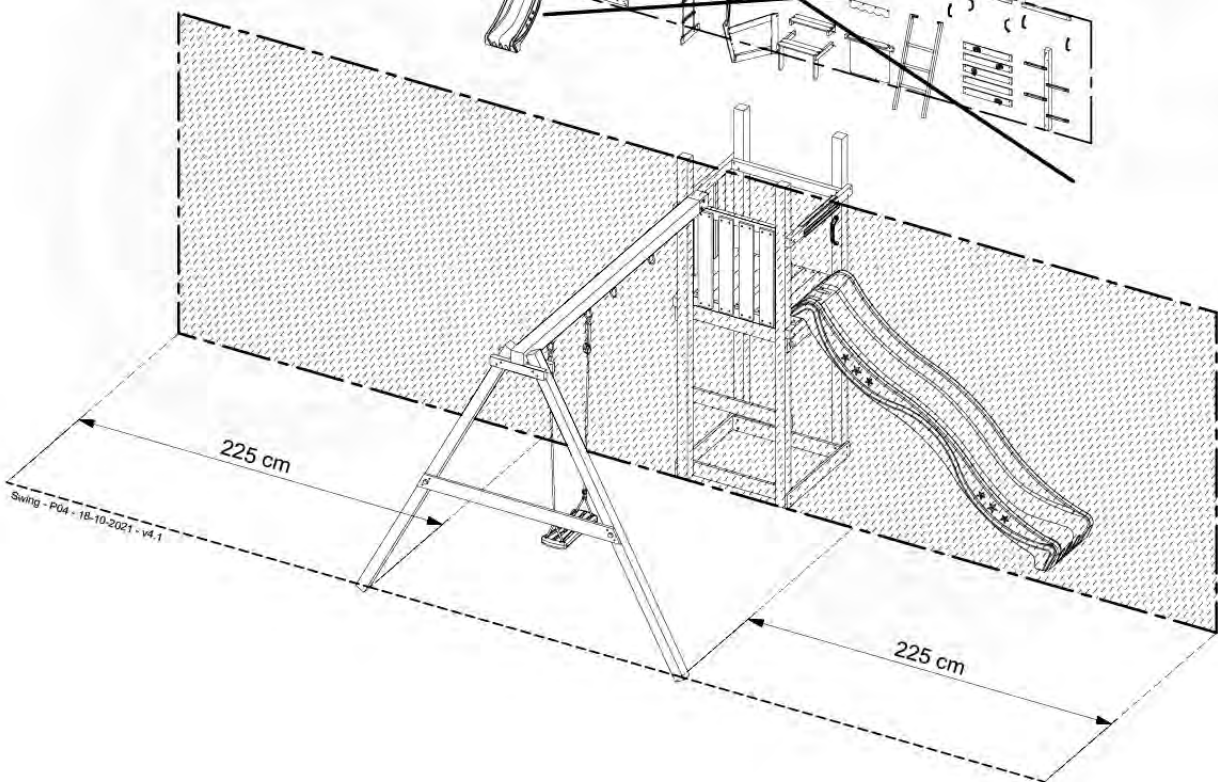
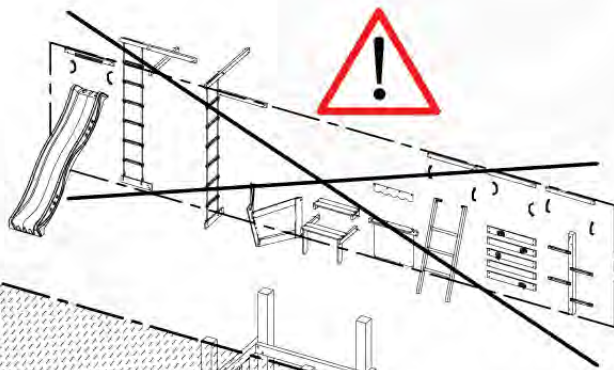
05-4



05-5



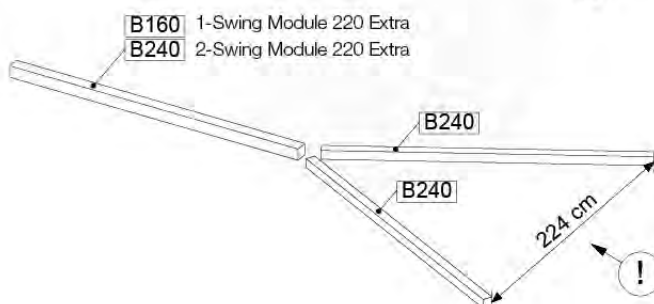
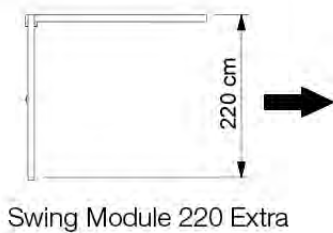
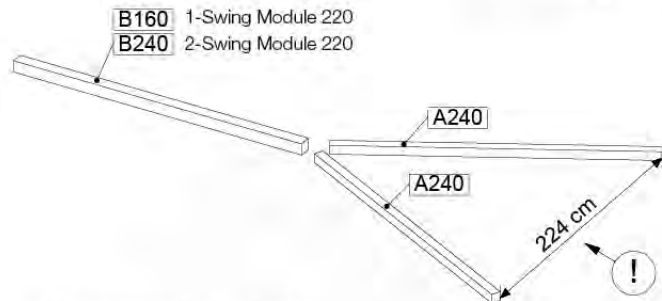
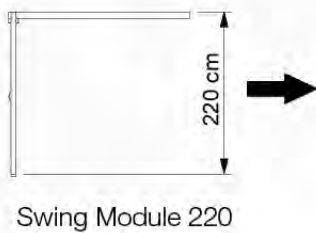
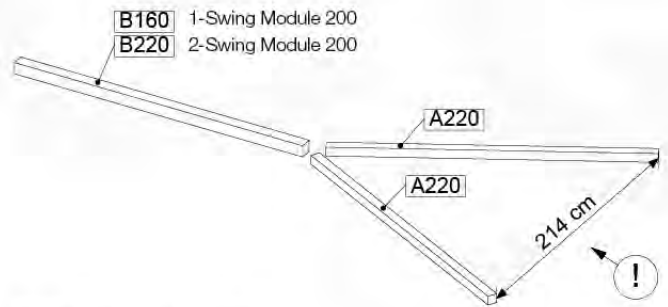
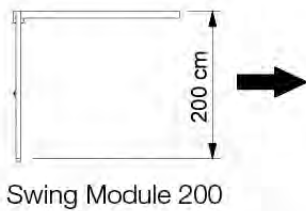
05-6



| | PartNo | PartName | QTY. |
|---------------|---------|----------------------------|------|
| Hardware Pack | 001_406 | Stealth Screw 8x45 | 4 |
| | 001_417 | Stealth Screw 8x80 | 4 |
| | 001_422 | Stealth Screw 8x137 | 3 |
| | 002_220 | Gap Point Screw T25 - 5x45 | 12 |
| | 002_223 | Gap Point Screw T25 - 5x80 | 6 |
| Other | 005_528 | Swing Beam Bracket 7x7 | 1 |
| | 005_529 | Swing Beam Bracket 9x9 | 1 |
| | 007_001 | Ground-anchor | 2 |
| Hardware Pack | 022_31x | bpc-base version 3 | 2 |
| | 022_84x | bpc cover | 2 |
| | 023_031 | Finishing Washer GPS 5.0 | 2 |
| Other | 101_003 | Swing hook with Carabiner | 4 |

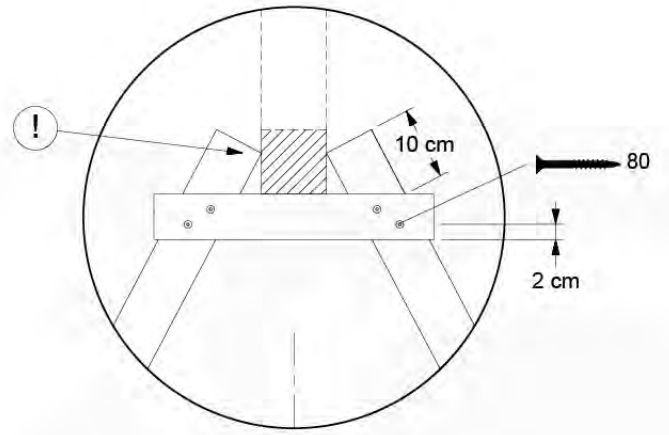
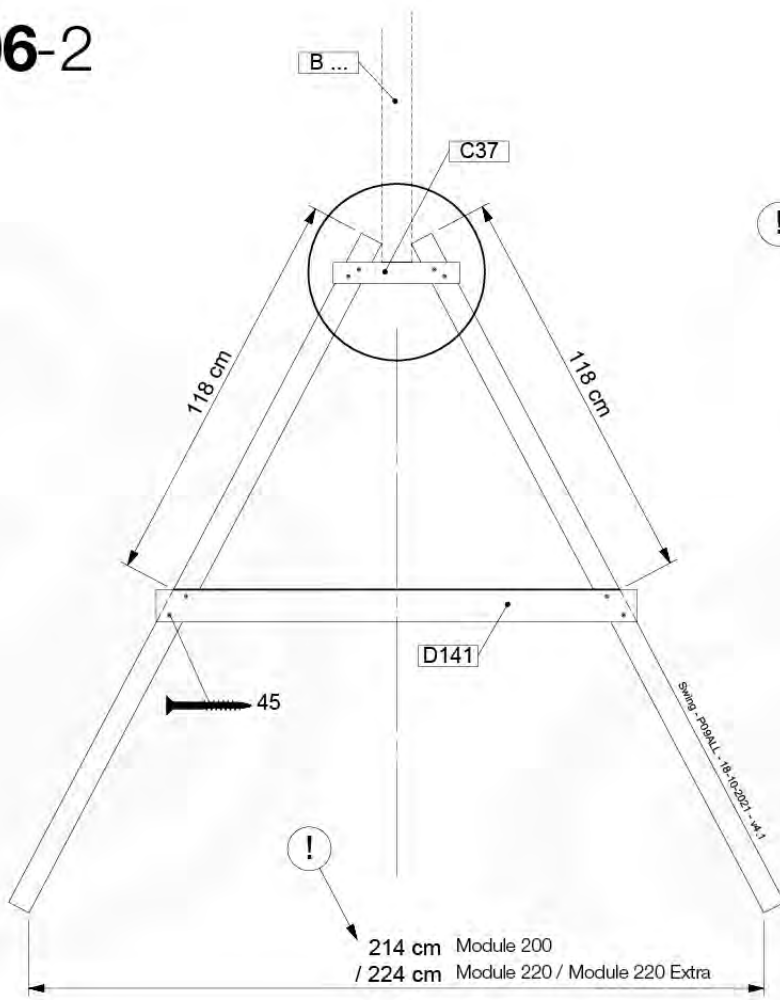
1 MW - 1.2020.01-91 - 2024 - 00000000

06-1

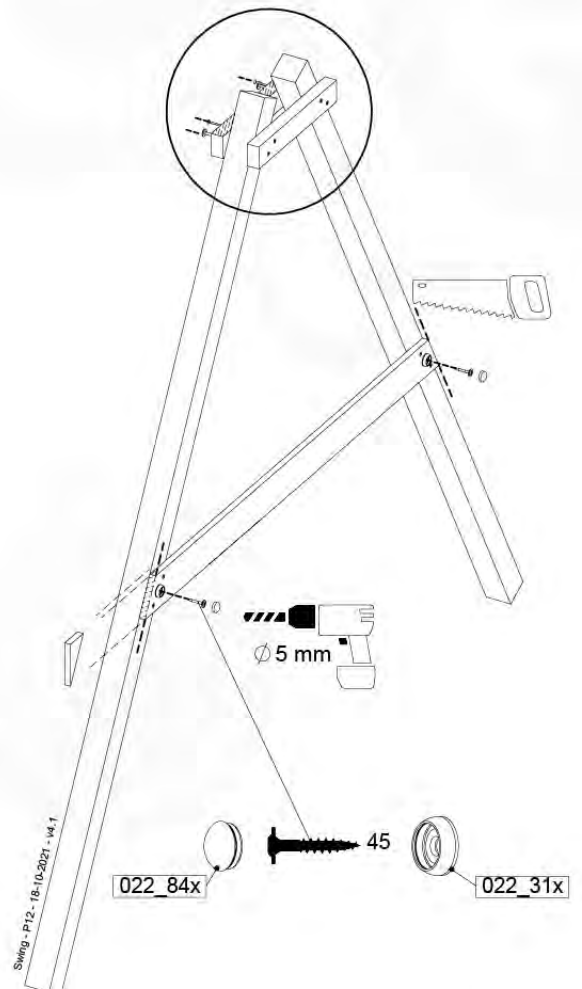
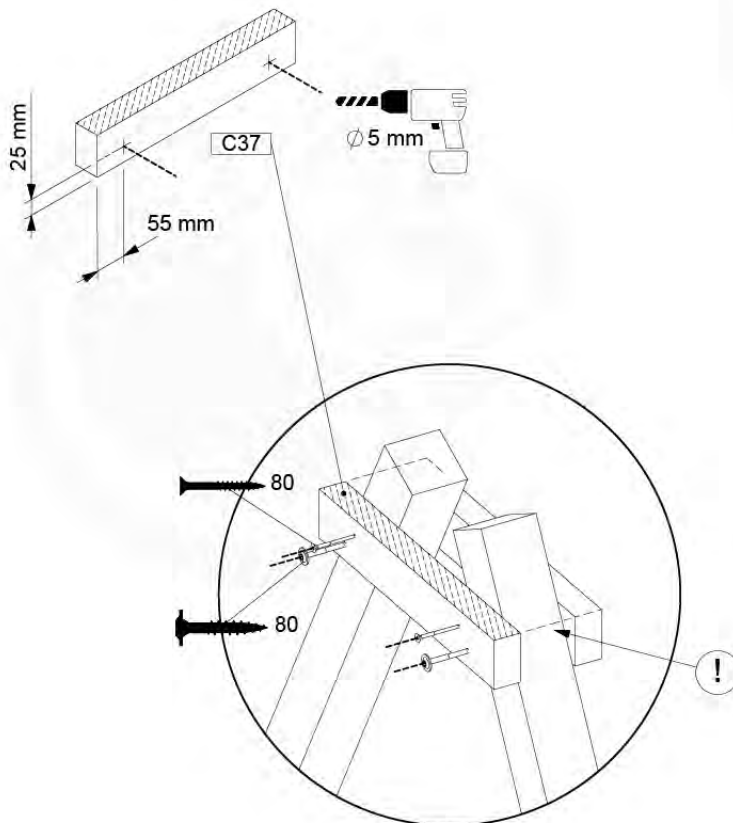


Swing - 2024 - 18102021 - 041

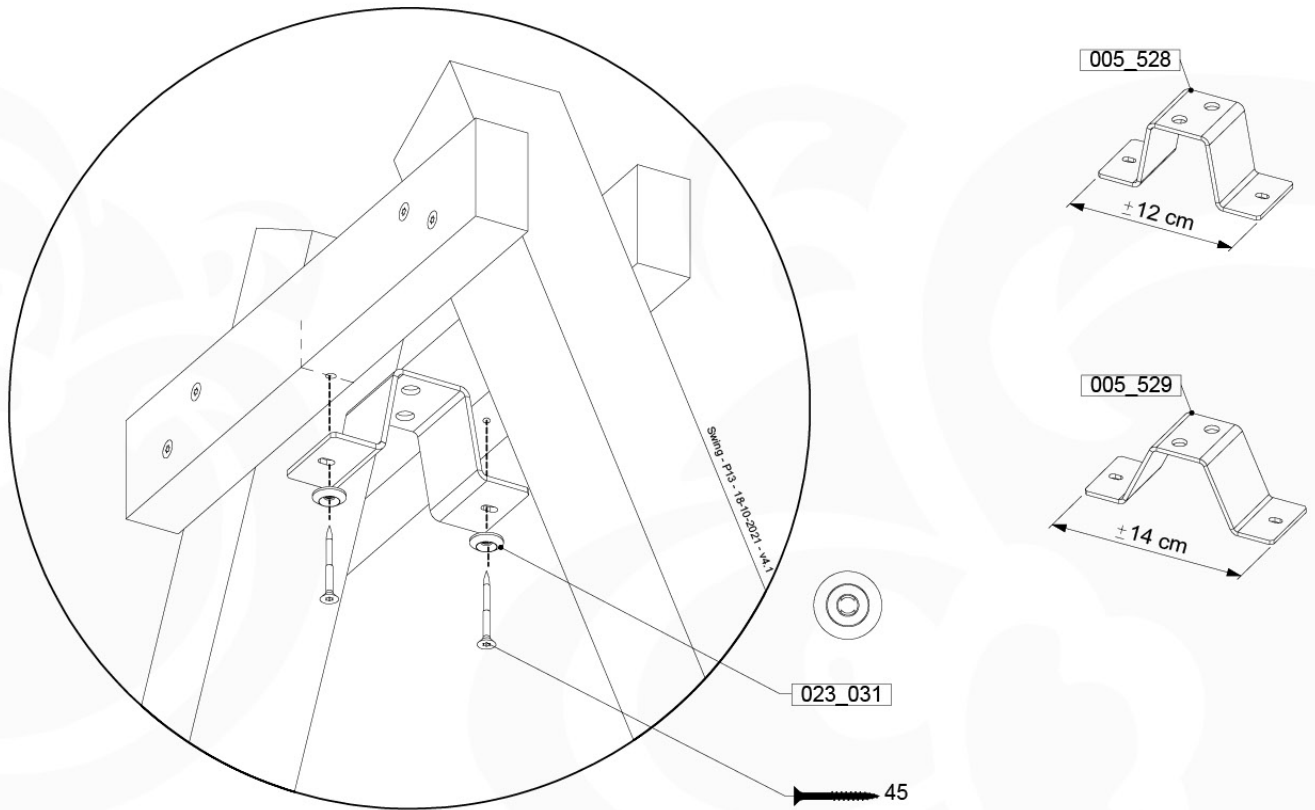
06-2



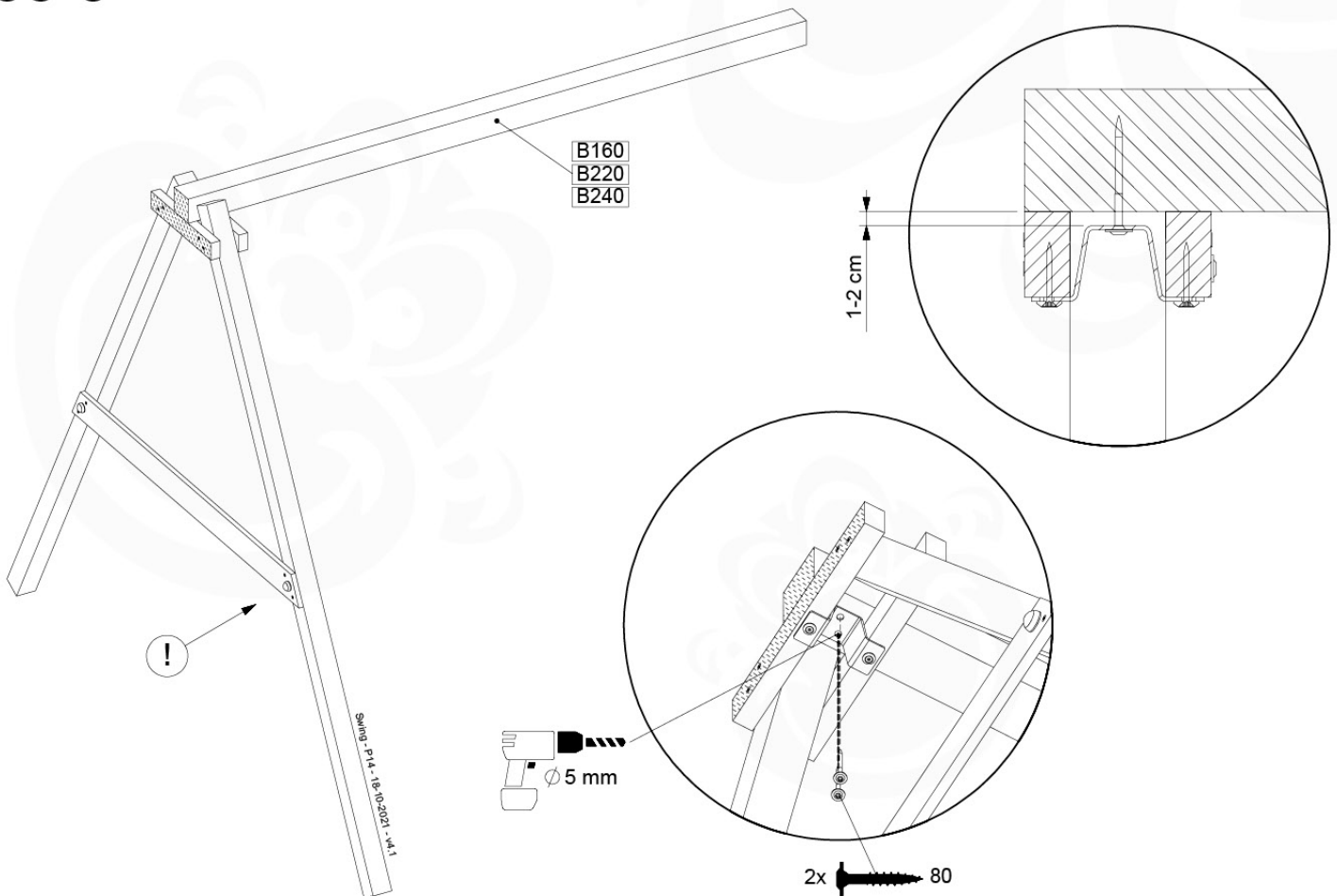
06-3



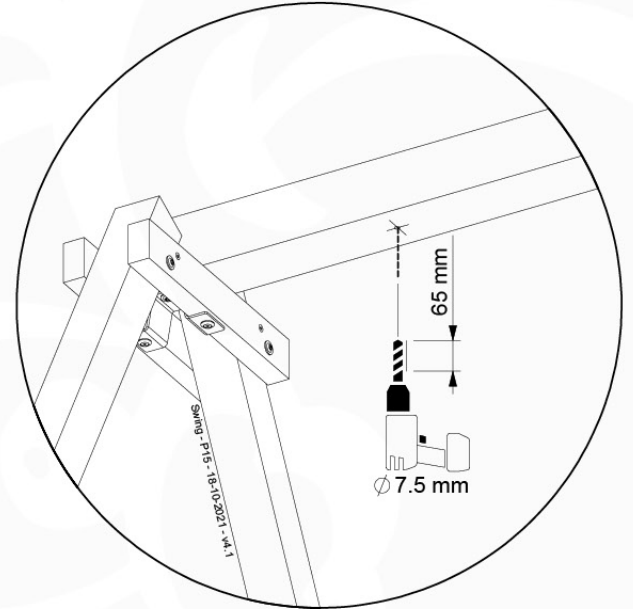
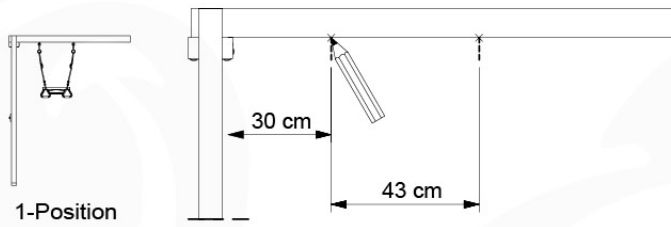
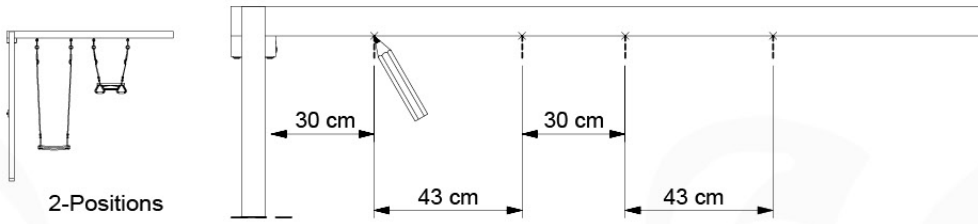
06-4



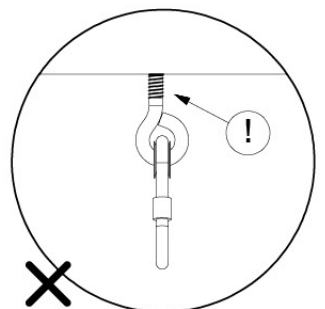
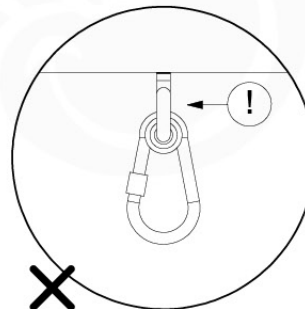
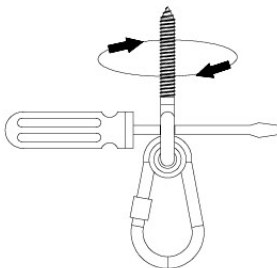
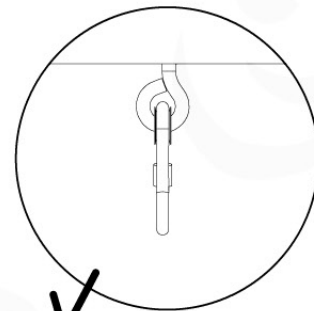
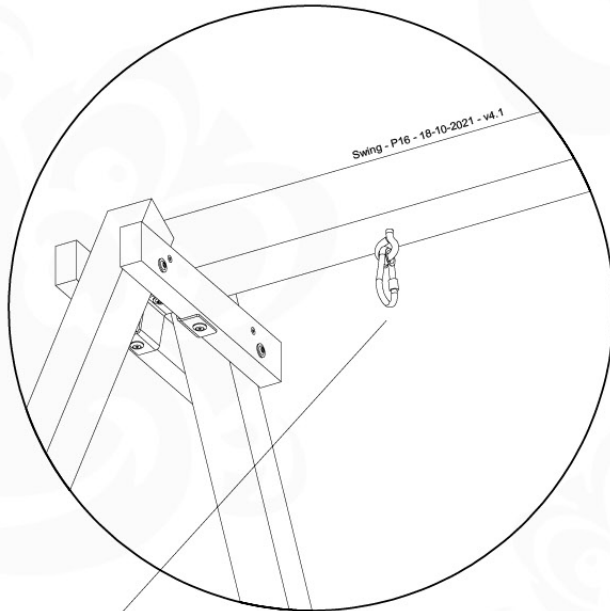
06-5



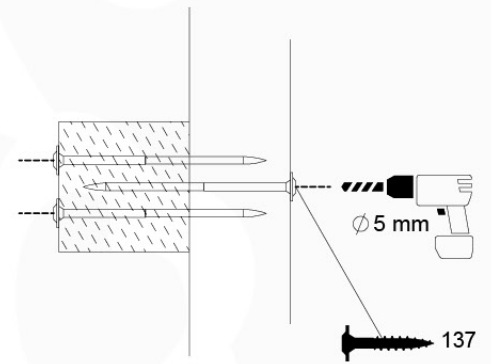
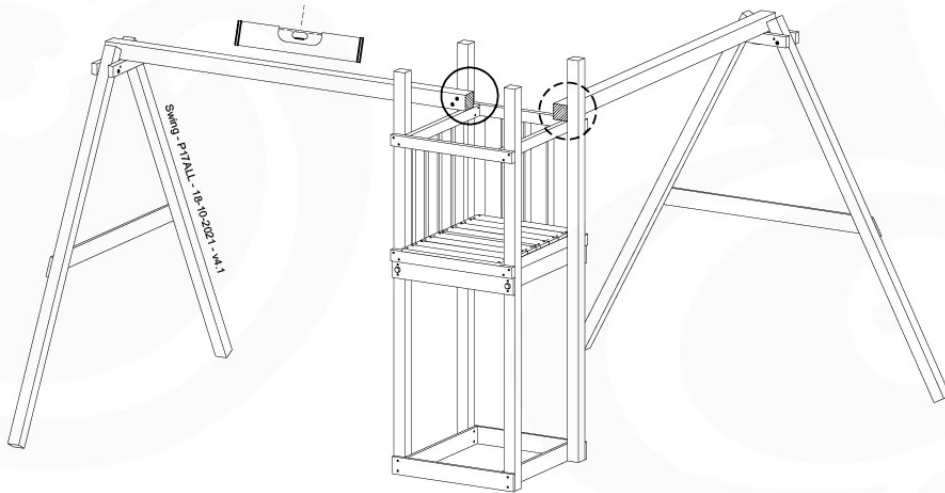
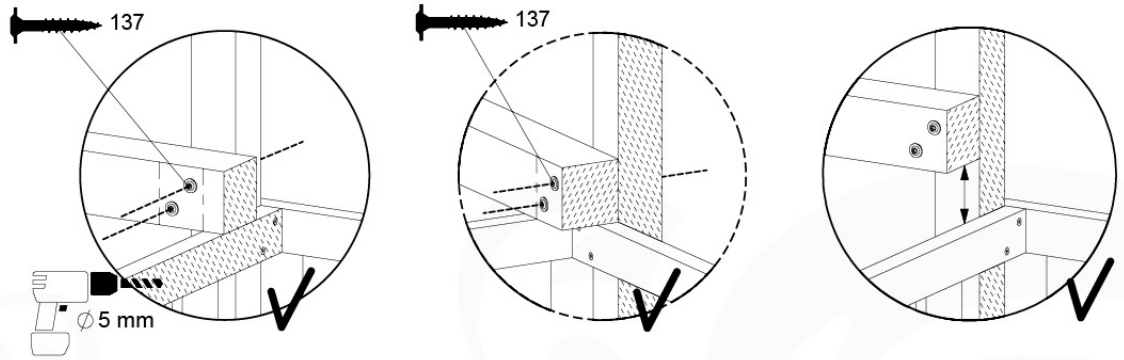
06-6



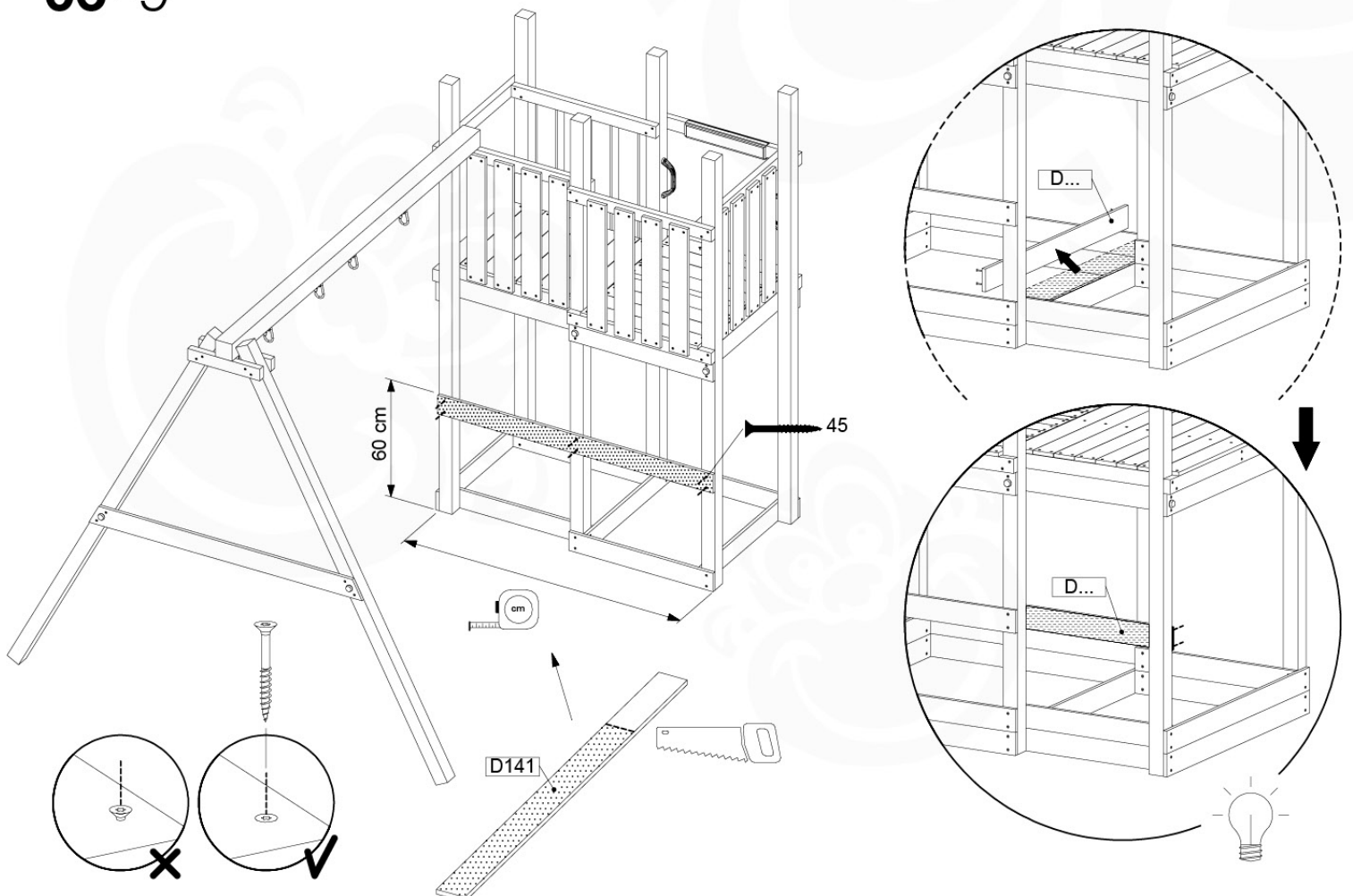
06-7



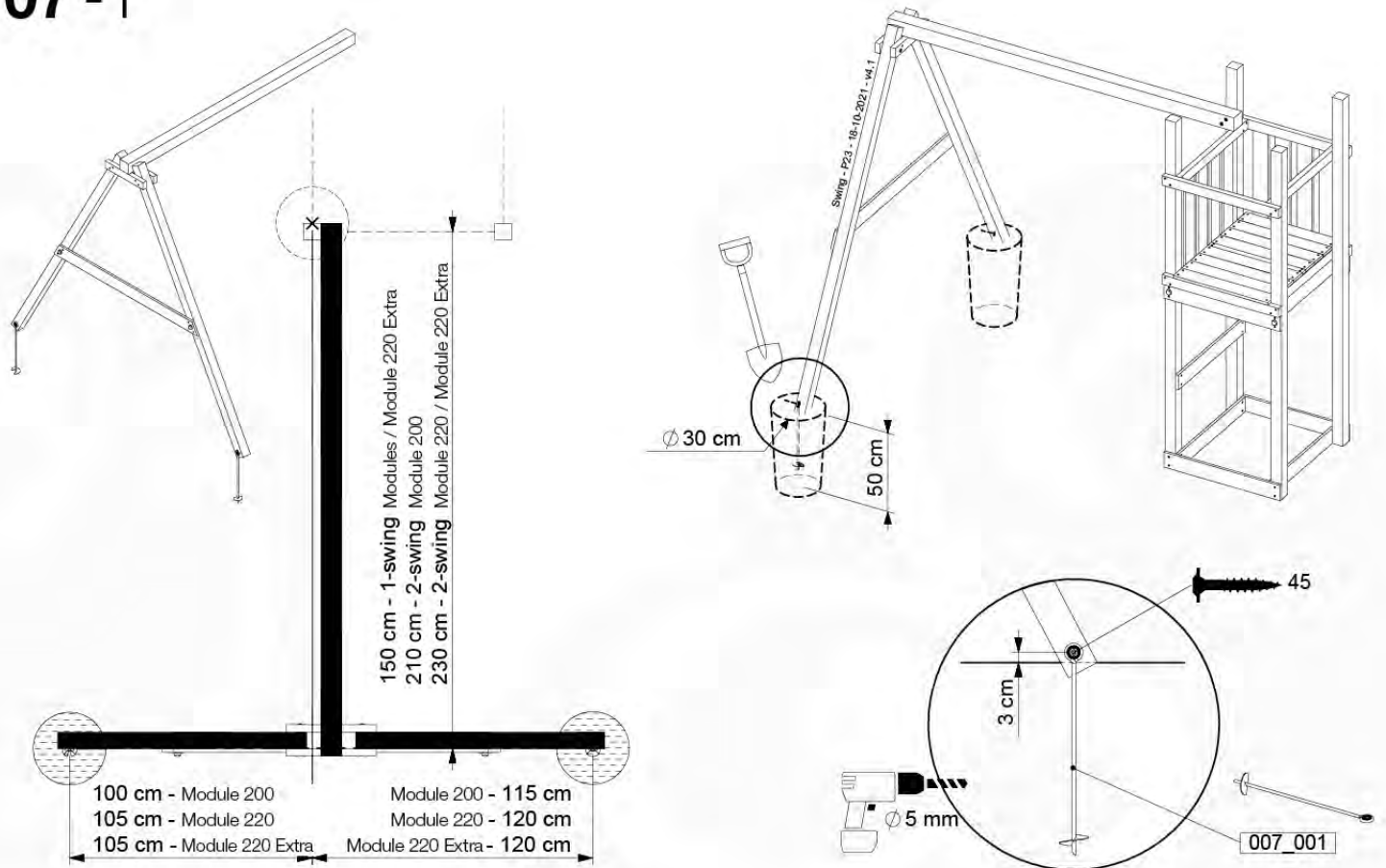
06 - 8



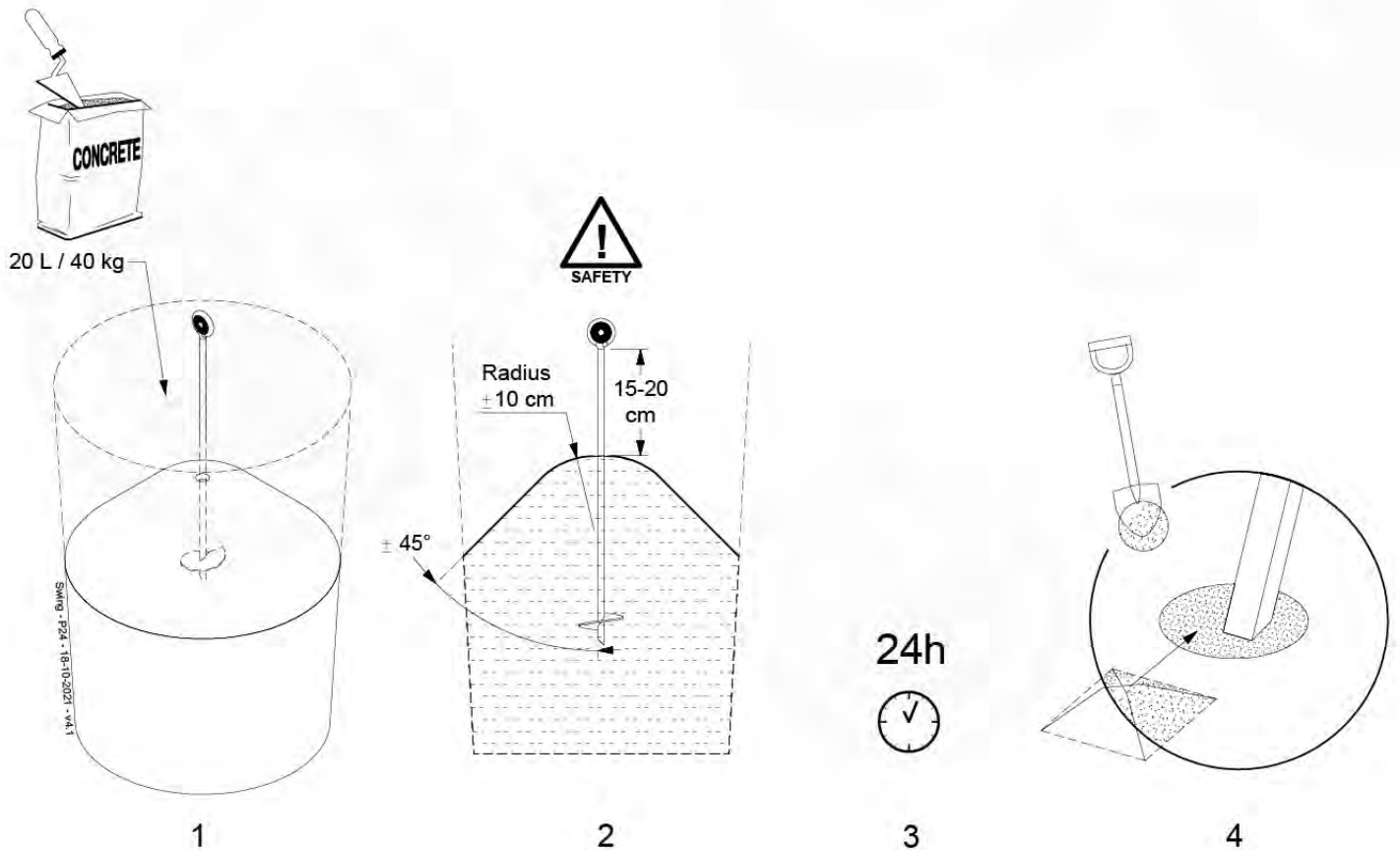
06 - 9



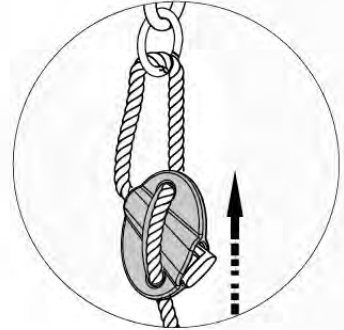
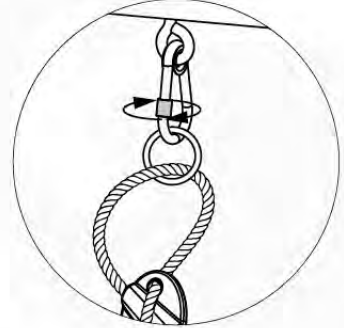
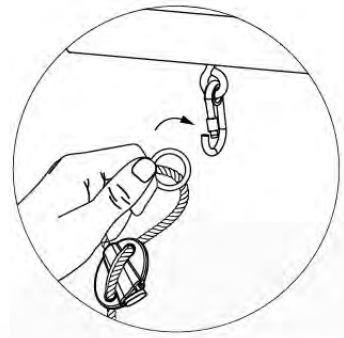
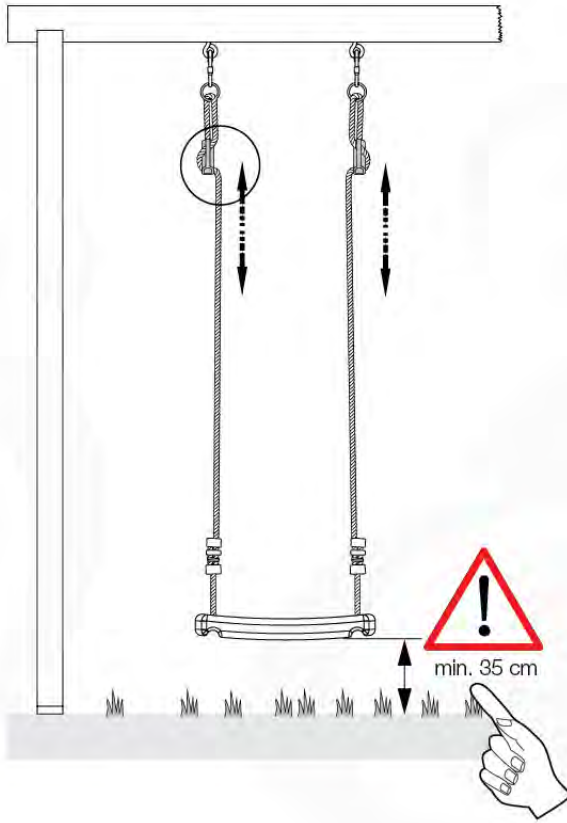
07 -1



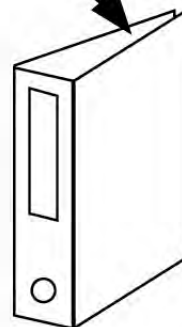
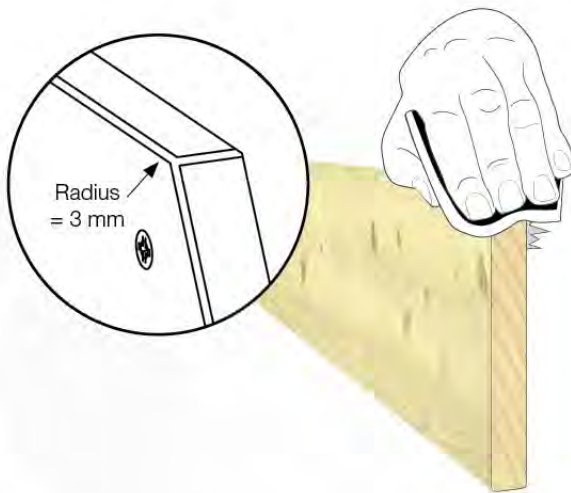
07 -2



08



09



Declaration of Conformity

Jungle Gym

BACKYARD PLAYGROUNDS

since 1988

Manufacturer details

Company Name

Jungle Gym B.V.

Tag-line

Backyard Playgrounds

Address

P.O. Box 75083, 1070 AB Amsterdam, Netherlands

Activity toys for domestic use

Product Range Identification

Construction Packages (Sub-Assembly)

Universal Packs / Base Towers / Extension Towers / Roofs / Means of Exit/Access / Add-ons : 790_001 ... 794_911

Assembly

Playtowers : 801_005 ... 200

Links : 870_100 ... 105

Accessories : 123_220 ... 250_075

Playhouses : 830_150 ... 253, 835_251 ... 253

Swings : 801_300, _600, _601

Slides (XL) : 324_100 ... 600

Modules : 850_180 ... 415

Slides (XXL) : 334_100 ... 600

: 857_103, 857_108

Playtowers : 802_202 ... 208

857_151, 857_158

803_202 ... 210

809_202 ... 804

Applicable EC directives and standards

General

- General Product Safety Directive 2001/95/EG
- Reach directive 1907/2006
- AfPS GS 2019:01 PAK

Activity Toys

- Toy Safety Directive (2009/48/EG)
- EN 71 Safety of Toys
 - EN 71-1:2014 + A1:2018 Safety of toys Mechanical and physical properties
 - EN 71-2:2020 Flammability
 - EN 71-3:2019 + A1:2021 Migration of certain elements
 - EN 71-8:2018 Safety of toys Activity toys for domestic use

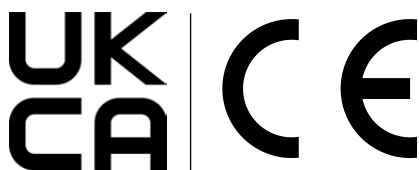
Supplementary information

Conformity to the above specified directives and standards has been frequently verified by TÜV Rheinland LGA products, DEKRA, LNE SA, since 1994.

Jungle Gym participates in the European Commission for standardisation for the safety of activity toys (TC52 / WG 10).

Declaration

I hereby declare under our sole responsibility that the products mentioned above, to which this declaration relates, complies with the above mentioned directives and standards.



Name

Mr. P. Schmit / Director

Issued date

Januari 2nd, 2023

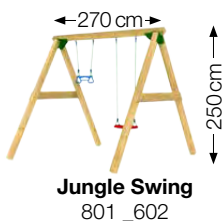
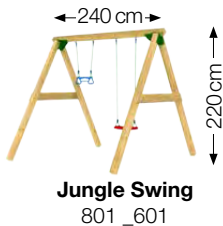
Signature of representative

Construction Packages (Assembly)

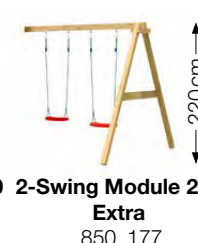
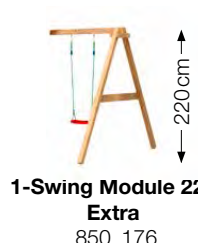
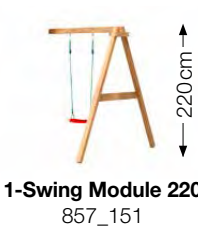
Playtowers



Swings



Swing Module



Climb Module



Bridge Module

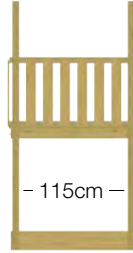


Construction Packages (Sub-Assembly)

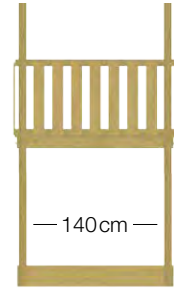
Base Towers (BT)



Small BT
790_001
790_002
790_003



Medium BT
792_002
792_003



Large BT
794_001

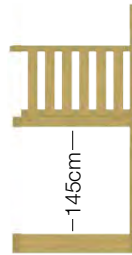
Extension Towers (ET)



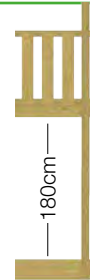
Small ET
790_101
790_102



Medium ET
792_101
792_102
792_103
792_104
792_105
792_106

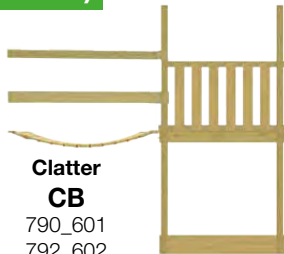


Large ET
792_107 792_113 794_107
792_108 792_114 794_108
792_109 794_102 794_109
792_110 794_103
792_111 794_104
792_112 794_105

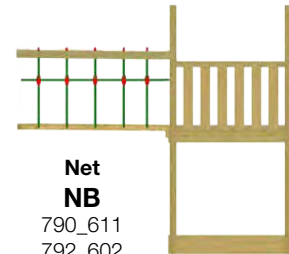


Small ET
794_110

Modules Bridges (CB+NB)



Clatter CB
790_601
792_602
794_602



Net NB
790_611
792_602
794_602

Modules Swings (SM)



1-Swing Module 200 SM
857_101



2-Swing Module 200 SM
857_102



1-Swing Module 220 SM
857_151



2-Swing Module 220 SM
857_152



1-Swing Module 220 Extra SM
850_176



2-Swing Module 220 Extra SM
850_177

Modules Climbs (CM)



1-Climb Module 200 CM
857_105



2-Climb Module 200 CM
857_106



1-Climb Module 220 CM
857_157



2-Climb Module 220 CM
857_158



1-Climb Module 220 Extra CM
850_231



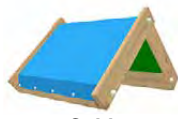
2-Climb Module 220 Extra CM
850_232

Construction Packages (Sub-Assembly)

Roofs (RF)



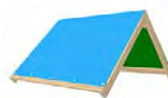
Tipi RF
790_203



Gable RF
790_202



Pyramid RF
790_205



Angle 90° RF
792_201



Angle 120° RF
792_206 (=115)
794_204 (=140)



Tipi RF
790_204



Clapboard RF
790_201



Lookout RF
790_206



Angle 90° RF
792_202 (=115)
794_202 (=140)



Angle 120° RF
792_203 (=115)
794_203 (=140)

Balustrade (BA/PH)



Balustrade panel BA
790_301
792_301
794_301
794_302



Hide panel PH
790_311
792_311
794_311



Wall panel PH
790_313
792_313
794_313



Roof panel PH
792_314
794_314



Window panel PH
792_202 (L)
794_202 (L)
792_203 (R)
794_203 (R)



Door panel PH
792_204 (L)
794_204 (L)
792_205 (R)
794_205 (R)

Slides (MOE)



Slide Yellow SL
324_100
334_100
790_901
792_901
794_901



Slide Blue SL
324_200
334_200
790_901
792_901
794_901



Slide Green SL
324_300
334_300
790_901
792_901
794_901



Slide Red SL
324_400
334_400
790_901
792_901
794_901



Slide Fuchsia SL
324_500
334_500
790_901
792_901
794_901



Slide Dark Green SL
324_600
334_600
790_901
792_901
794_901

Means of access (MOA)



Ladder LA
790_433
790_434
792_431
792_432
794_431
794_432



Two Step Ladder TS
790_413
790_414
792_411
792_412
794_411
794_412
794_413
794_414



Rope ladder RL
790_421
792_421
792_422
794_421



Rock wall RW
790_403
790_404
792_401
792_402
794_401
794_402

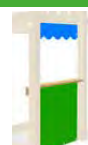


Ramp RA
790_441
792_441
794_441



FMP Exit FP
790_903
792_911
794_911

Add-ons (ADD)



Market MT
790_502
792_502
794_502



Boat front BO
790_501

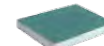


Picnic PC
790_503



Picnic PC
792_503
794_503

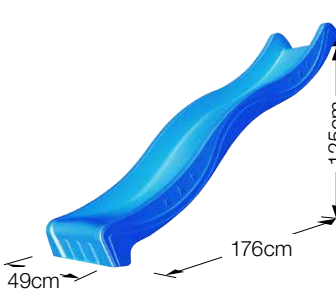
Universal Pack (AC)



Accessory set
194_119

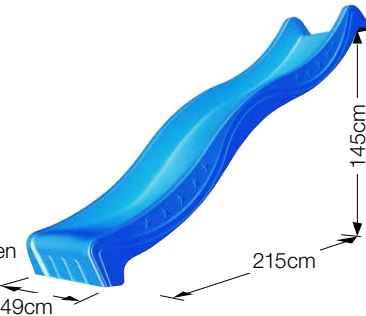
Accessories

Slides




Wavy Star Slide XL
 324_100 Yellow
 324_200 Blue
 324_300 Green
 324_400 Red
 324_500 Fuchsia
 324_600 Dark Green

125cm
176cm
49cm



Wavy Star Slide XXL
 334_100 Yellow
 334_200 Blue
 334_300 Green
 334_400 Red
 334_500 Fuchsia
 334_600 Dark Green

145cm
215cm
49cm



Fireman's Pole
201_275

2745cm

Climbing



AP Two Step Ladder 80
194_102



AP Step Ladder
194_103 (= 3 rungs)
194_104 (= 4 rungs)



AP Rock Wall 80_125
194_105



AP Rope Ladder
194_115



AP Clatter Bridge
194_116



Climbing Rope
201_060



Gymnastics bar
201_273

100cm

Imagination



Steering Wheel Yellow
201_280



Fun Phone
201_285



StarOscope™
201_290



PeekOscope™
201_295



Steering Wheel Boat
202_473



Tic Tac Toe
450_310



Bucket
450_320



Talking Tube™
450_330

Swinging



Sling Swing Kit Yellow
250_001



Monkey Bar Kit Blue
250_013



Baby Swing Kit Red
250_025



Swing Seat Kit Red
250_034



Twist Disk Kit Green
250_053

Functional



Swing Hook Screw 2x
201_115



Cat Stop
201_220

150 x 160 cm



Handgrips (2pcs)
 201_250 Yellow
 201_260 Blue
 201_270 Green



Bumper Pad (2pcs)
202_824



Ground Anchors
250_070



Shutters 2x blue
250_075

Components



Canvas blue/green
123_220 ±136x 74cm
123_222 ±185x120cm



Mesh green
123_230 ±120 x 185cm

Bolt Caps 10x / 40x

| | | | |
|--------|-----------|---------|---|
| White | □ 202_620 | 202_629 |  |
| Yellow | ■ 202_621 | 202_625 | |
| Blue | ■ 202_622 | 202_626 | |
| Green | ■ 202_623 | 202_627 | |
| Red | ■ 202_624 | 202_628 | |