

Part 1

# General Safety Instructions



<b>en</b>	Safety instructions	<b>fi</b>	Turvallisuusohjeet	<b>pl</b>	Bezpieczostni instrukcje
<b>de</b>	Sicherheitshinweise	<b>hr</b>	sigurnosne upute	<b>pt</b>	Ogólne wskazówki dotyczące bezpieczeństwa
<b>fr</b>	Instructions de sécurité	<b>hu</b>	Általános biztonsági utasítások	<b>ro</b>	Instrucțiuni generale privind siguranța
<b>nl</b>	Veiligheidsvoorschriften	<b>is</b>	Almennar öryggisleiðbeiningar	<b>ru</b>	инструкция по безопасности
<b>bg</b>	Общи правила за техника на безопасност	<b>it</b>	Indicazioni per la sicurezza	<b>sk</b>	Všeobecné bezpečnostné pokyny
<b>cs</b>	bezpečnostni instrukce	<b>ja</b>	一般的安全説明書	<b>sl</b>	Splošna varnostna navodila
<b>da</b>	Sikkerhedsinstruktioner	<b>lt</b>	Bendri saugos nurodymai	<b>sr</b>	Sigurnosno uputstvo
<b>el</b>	Υποδείξεις ασφαλείας	<b>lv</b>	Vispārīgās drošības norādes	<b>sv</b>	Säkerhets instruktioner
<b>es</b>	Instrucciones de seguridad	<b>no</b>	Sikkerhetshenvisinger	<b>tr</b>	Genel Güvenlik Talimatları
<b>et</b>	Üldised ohutusalsed juhised				

Manual Part 2



## Jungle Gym

BACKYARD PLAYGROUNDS

since 1988



**EN.** Warnings. Only for domestic use. **DE.** Achtung. Nur für den Hausgebrauch. **FR.** Attention. Réservé à un usage familial. **NL.** Waarschuwingen. Uitsluitend voor huishoudelijk gebruik. **BG.** Внимание. За употреба само в домашни условия. **CS.** Varování. Jen pro domácí použití. **DA.** Advarsler. Kun til privat brug. **EL.** Προειδοποιήσεις. Μόνο για οικιακή χρήση. **ES.** Advertencias. Sólo para uso doméstico. **ET.** Hoiatused. Ainult koduseks kasutamiseks. **FI.** Varoitukset. Ainoastaan kotikäyttöön. **HR.** Upozorenja. Samo za kućansku uporabu. **HU.** Figyelmeztetések. Csak otthoni használatra! **IS.** Varnaðarorð. Eingöngu fyrir einkanotkun í heimahúsum og á einkalóðum. **IT.** Avvertenze. Solo per uso domestico. **LT.** Įspėjimai. Tik buitiniam naudojimui. **LV.** Brīdinājumi. Izmantot tikai mājās. **NO.** Advarsler. Kun for privat bruk. **PL.** Ostrzeżenia. Wyłącznie do użytku domowego. **PT.** Avisos. Apenas para uso doméstico. **RO.** Avertismente. Numai pentru uz domestic. **RU.** Предостережения. Только для домашнего использования. **SK.** Upozomenia. Iba na domáce použitie. **SL.** Opozorila. Samo za domačo uporabo. **SR.** Upozorenja. Samo za kućnu upotrebu. **SV.** Varningar. Endast för hemmabruk. **TR.** Uyarılar. Sadece ev kullanımı için.

UK  
CA

CE

EN 71-1,-2,-3,-8&-9

# Playset information



# Proof of Purchase

Name Play set  
Name des Spielgerätes  
Nom de jouet  
Naam speeltoestel

Kind of timber used  
Art des gebrauchten Holzes  
Genres de bois utilisé  
Gebruikte houtsoort

Kind of ground surface material  
Material der Bodenbedeckung  
Matériau de surfaces absorbant les chocs  
Soort schokabsorberend materiaal

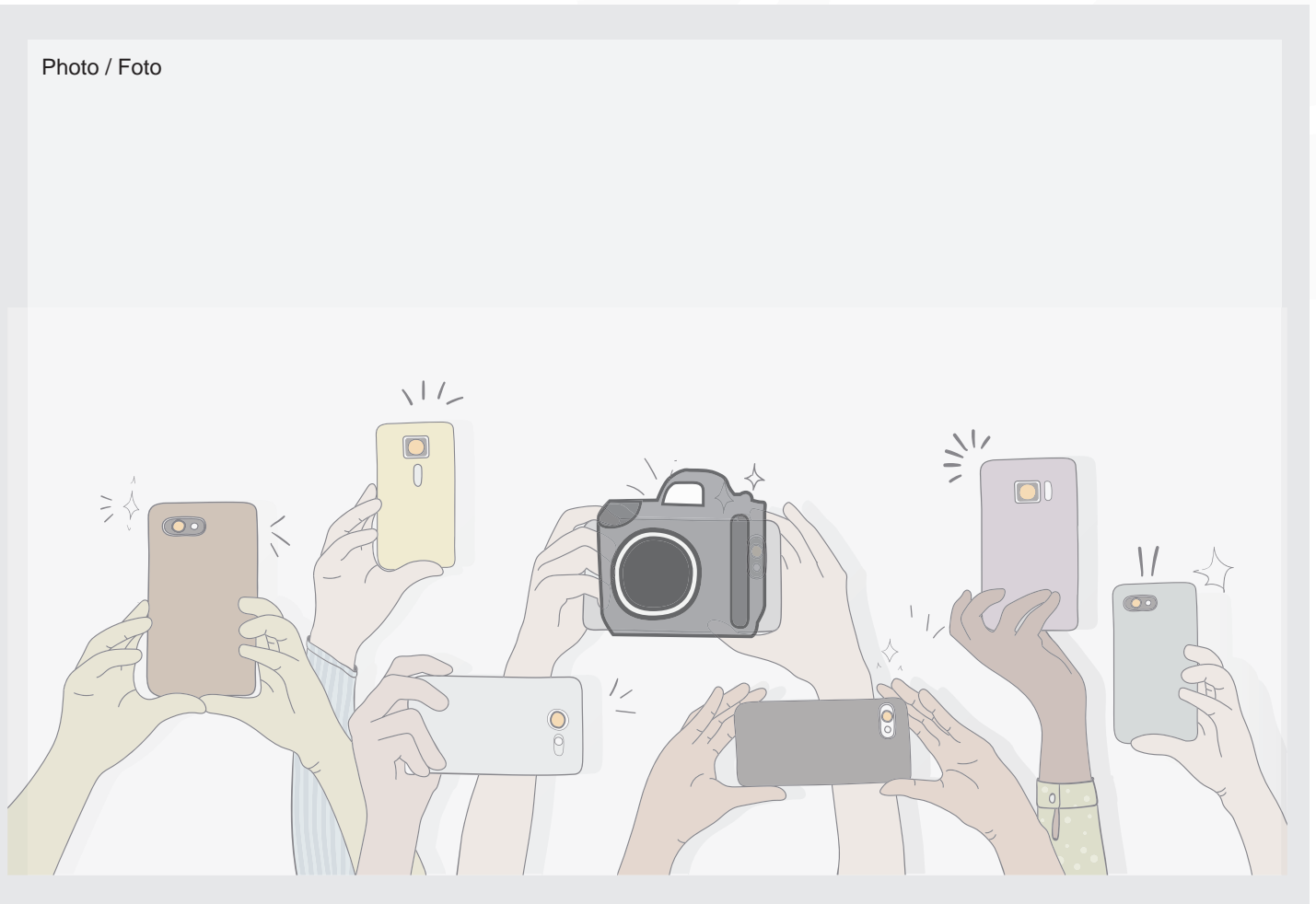
Extra modules/ accessories  
Extra Module / Zubehör  
Modules / accessoires Supplémentaire  
Extra modules/ accessoires

Point of sale address  
Adresse der Verkaufsstelle  
l'Adresse du point de vente  
Adres verkooppunt

Date of purchase / Kaufdatum  
Date d'achat / Aankoopdatum



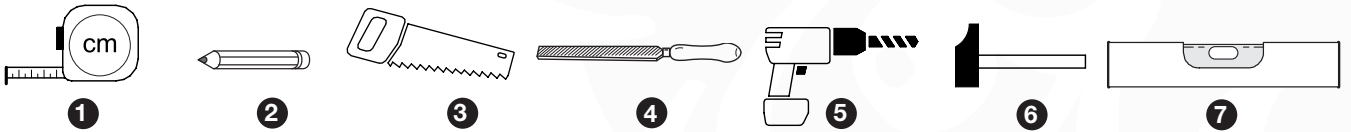
Photo / Foto



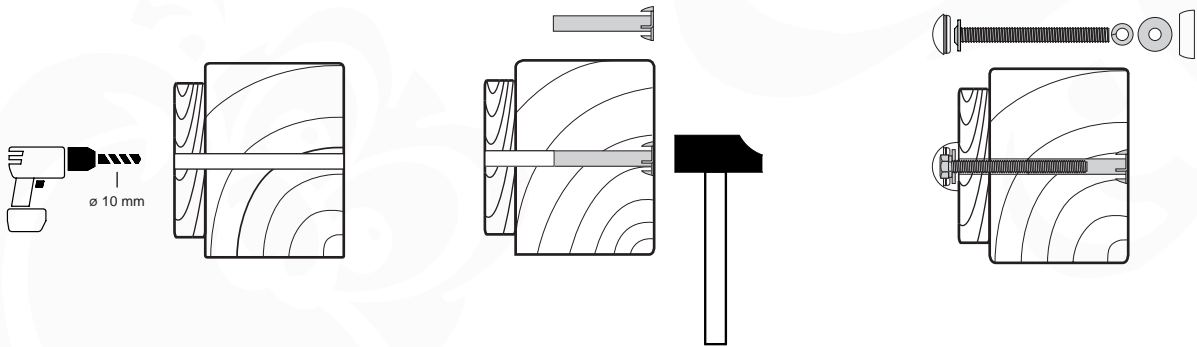
1



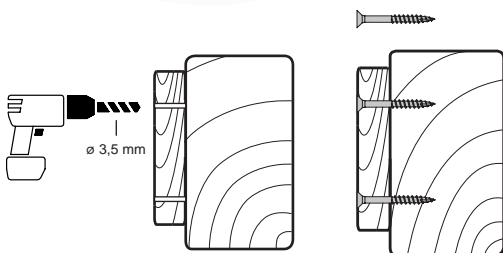
2



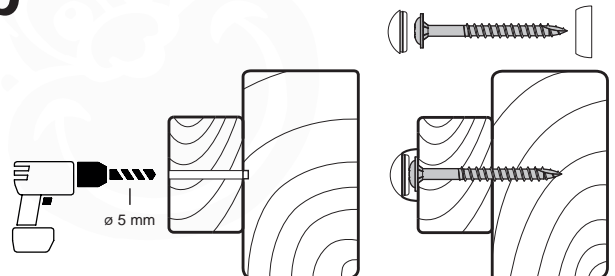
3



4a



4b



# GENERAL SAFETY INSTRUCTIONS

Congratulations on the purchase of this Jungle Gym® Do It Yourself kit. With this Jungle Gym® kit we are confident that you will be able to build a safe play set that will provide pleasure for your children for many years.

Jungle Gym® kits contain specially developed hardware. This material is designed with great care and with the safety of your children as a first matter of importance. The hardware has no sharp angles or protruding parts and is protected against all kinds of weather. All the parts in the kits are designed according to the EN 71-1,-2,-3, -8 & -9 (European Safety Standard) for domestic use, on the condition that the playground equipment is assembled and used properly in accordance with the manual. Do not deviate from these plans or alter the design.

Warnings. Only for domestic use. Only for outdoor use. Maximum user weight is 50 Kg. Not suitable for children under three years. Suitable for children from three to ten years.

This product is intended only for domestic use. Usage in a public setting such as a park, playground or school is a misuse of the product and may result in premature wear and also serious injury.

Carefully read these assembly instructions before you start with the assembly and save these instructions for future reference.

## SAFETY INSTRUCTIONS

### Timber

- Treat all sawed surfaces and ends with an outdoor wood preservative to prevent the wood from rotting; even when pressure treated wood is being used.
- Pay extra attention to parts that make contact with the ground.
- Treat all counter sunk holes and holes for the Rope ladder or Climbing rope with stain.

### Safe play area

- Place the playset on an unpaved steady surface, such as grass or a solid layer of sand. Do not install your play set over concrete, gravel, asphalt, or any other hard surface.
- The ground surface must be level. Installing your play set on sloping ground can cause it to lean or "rack". This leaning puts additional stress on all connections and joints and in time will cause those connections to loosen and fail.
- The safe play area refers to a zone extending 6' (200 cm) beyond the play set on all sides. A fall onto a hard surface can result in serious injury. Install the ground cover in the safe play zone. The following is a list of recommended ground covers.

Suggested material	Minimum uncompressed depth
Double shredded bark mulch	20" (50 cm)
Uniform wood chips	20" (50 cm)
Fine gravel	20" (50 cm)
Fine sand	20" (50 cm)
Grass	

- Remove all tripping hazards such as rocks, stumps, roots etc. from the safe play area.
- The safe play area must be free of all structures, fences, garage, house, overhanging branches, laundry lines, electrical wires and other obstacles to ensure safe play.
- Do not situate your play set in the direction of walks or gangways.
- Any edging used to contain the ground cover must be beyond the safe play area (Landscape timbers or other edgings).

### Safe installation

- Children should stay out of the work area until the safe play areas are cleared of obstacles, the play set has been completely installed, all hardware has been tightened and checked, and all tools and other items that don't belong in the play area have been picked up.
- When building this play set, at least two adults are required for lifting and holding beams, frames or other heavy assemblies in position before bolting or screwing.
- Check all the parts and group them systematically within reach.
- Compare these with the parts list.
- Wear proper clothing and safety equipment (e.g. safety glasses, dust mask and gloves) when you saw, drill, grind, stain or assemble the play set, especially when working with pressure treated timber.
- Follow the manufacturers' safety recommendations for the tools and equipment you use.
- Do not stand on the platform until the play set has been completely assembled; use a stepladder if you can not reach high enough.
- Avoid assembling your gym in poor weather conditions.
- The play set must be securely anchored to prevent the play set from turning over or shoving. If soil conditions permit stakes to be pulled out easily, cementing is required. Be sure that the ground anchors do not stick out of the ground because children can trip over them.
- After assembly be sure to use a metal saw to cut off any protruding threaded ends of bolts and other fasteners. Remove any sharp edges with a metal file.
- To prevent splinters, sand the wood with a piece of sandpaper
- Also smooth all corners with sandpaper or a metal file to a radius of 1/8" (3 mm).
- Do not attach extra items to this gym set, such as ropes, chains, heavy cord or other items.
- Do not combine products of other manufacturers with Jungle Gym® products because they may create safety hazards.
- Only use the Rope Locks™ in combination with Jungle Gym® swing hooks. Do not use the Rope Locks™ for other purposes, such as mountain climbing or pulling loads.
- The screw thread of the Swing Hook LS must be screwed into the wood fully and tight against the cross beam. It is important that you align the Swing Hook in the proper position. An improperly installed or misaligned swing hook will break or -pull out and cause injury!
- The distance between swinging accessories (for example a swing seat) and the ground should be at least 14" (35 cm).
- The distance between an accessory and the frame, should be at least 12" (30 cm).
- The distance between the Swing Hooks should be 18" (45 cm).
- The distance between swinging accessories should be 18" (45 cm).

- A Climbing rope or a Rope ladder always has to be secured at both top and bottom, because the free-hanging Rope could cause serious injury or death due to strangulation. Ropes should not be capable of looping back on themselves.

## INSPECTION AND MAINTENANCE

To ensure the safety of the users of the play set, the play set has to be subjected to the safety inspections mentioned below once at the beginning of each season and further twice monthly during the usage season. If the maintenance checks are not carried out regularly the activity toy could overturn or otherwise become a hazard.

### Wood components

- Inspect for splinters and possible other structural defects.
- Maintain the set with periodic applications of exterior wood preservative to prevent wood rot. Do not use paint or other finishes that can cause a slippery surface.

### Hardware

- Check all hardware to be sure it is tight. Caution: over-tightened hardware crushes the fibres of the wood resulting in split-boards.
- Check the remaining hardware, brackets and swing hooks also for rust, which can have effect on the strength. Replace when necessary.
- Check the ground anchors to be sure that they are secured. If necessary, reposition or replace.
- Check all coverings for bolts and sharp edges and replace when required.

### Accessories (if appropriate)

- Check Rope Locks™ to be sure they are properly installed onto the Jungle Gym® swing hooks. To check the Rope Locks HC, hang with your full bodyweight onto each individual swing rope for a couple of seconds. The Rope Locks SC can be checked by sitting on the accessory with your full bodyweight for a couple of seconds. Replace when necessary. If any squeaking occurs, the Rope Locks HC can be moistened with water or vegetable oil such as olive oil.
- Check swing seats and bars for integrity and check swing ropes for fraying or extreme creation of fibre. To examine the rope, open the strands of the Rope where any fraying has occurred and securely check whether the filaments are broken. Check safety belt of baby swing. Replace when necessary.
- Check the attachment of the slide onto the platform for any openings in which for instance clothing or strings from hooded jackets can get stuck which results in entangling.
- All accessories can be cleaned with warm water and a mild detergent. Heavily dirty slides can be cleaned with a high pressure cleaner. (Be careful not to damage the slide surface and timber.)

### Safe play area

- Check if the shock-absorbing surface isn't compressed too much, loosen if necessary. Fill up any holes, for example under swing seats.
- Check the play set stability.
- Check the environment for direct danger like overhanging branches, laundry lines, loose materials.

### Environmental protection

Wood parts of play sets should never be disposed of by burning. Dispose of all metal parts so as not to create a hazard. You should never burn pressure treated, stained or painted timber yourself, because of environmental pollution. Take it to your local disposal site.

## SAFE PLAY

### Attention:

- On site adult supervision must be provided for children of all ages and at all times.
- Teach the children to play safe.
- Dress children appropriately. Avoid accessories, clothing with drawstrings, loose fitting clothes and stringed items placed around the neck, which could become entangled or snagged on equipment. Also bike helmets should be taken off before playing on playground equipment.
- Last but not least: use common sense to avoid any possible unsafe situations.
- Jungle Gym® products are designed for use by children age 3 to 10 years old, unless indicated differently.

### Safe play (fig. 1)

1. Equipment should not be played upon in wet weather conditions because of potentially slippery surfaces. In periods of frost, even the softest ground can change into a very hard surface. Accessories should be removed and taken indoors when temperatures drop below 0° C (32° F).
2. Using the playground or the accessories in any other manner than the way intended could lead to damage or, even injury. Do not twist or wrap swings, chains, ropes or any other accessories. Twisting will reduce the strength of the accessories and may cause entrapment.
3. Caution children not to:
  - jump off swings while they are in motion
  - swing empty seats or other empty accessories
  - swing at an angle
  - hang upside down from any part of the gym set
  - grasp or stop another child on any moving equipment
  - walk close to, in front of, between or behind moving accessories
4. Caution children to sit in the centre of the swings with their full weight on the seats. Only one child per each planned occupant seat should be allowed. A standard tower: maximum 3 children are allowed to play on the play set with a maximum weight of 110 pounds (50 kg) each. A standard tower in combination with a swing: maximum 5 children are allowed to play on the play set with a maximum weight of 110 pounds (50 kg) each.
5. Climbing on top of the roof or on top of the Module must not be permitted. Serious injuries can result from falls.
6. The play area must be free of all structures and obstacles.
7. Each open area on a platform increases the risk of possible accidents. The risk can be significantly reduced with the addition of safety features like handles, safety bars and fence boards. Do not allow children to go

down the slide in any other manner than sitting. Avoid southern sunlight exposure to the slide.

8. All components may become hot when exposed to direct sunlight. Make sure the play set is not hot before allowing children to play. If necessary the play set can be cooled down with water, dry the play set before using. Be careful water on the slide can cause children to slide faster.
9. Do not attach anything to the play set that is not approved by Jungle Gym. Some examples of items NOT approved are dogruns, clothes lines, electrical devices, loose ropes or chains etc.

### Required tools (fig. 2)

1. Tape measure 2. Pencil 3. Hack/ wood saw 4. Wood- & metal file 5. Electric drill 6. Hammer 7. Spirit level

### Standard bolt connections (fig. 03)

- Drill a hole of  $\phi$  10 mm in the parts to be fastened.
- Drive the barrel of the weld nut into the hole with a hammer.
- The barrel of the weld nut should be inside the wood.
- Place the lock washer over the shank of the bolt, followed by the flat washer and bottom part of the boltcap. Start preliminary tightening of bolt into the weld nut by hand before using the 13 mm socket in your electric drill to tighten each bolt until the spring action of the lock washer is fully compressed between the head of the bolt and the flat washer. Close the bolt protection cap with its top.
- If the bolt appears to be too short, we advise to counter drill the upper part of the hole in the thickest part of the wood with the  $\phi$  22 mm drill, to a depth of 15 mm or more, so the bolt will be sunk after assembly. Treat the hole with stain. Because the bolt head is recessed now, there is no need to use the bolt protection cap.
- If the bolt appears too long, it is necessary to remove the protruding end by cutting it off using a metal saw. If any sharp edges appear, use a file.

### Pilot holes (fig. 4a-4b)

- In order to prevent the wood from splitting, drilling pilot holes are recommended for all screws. These pilot holes should be 10 mm shorter than the length of the screws.

### Wood screws (fig. 4a)

- Drill  $\phi$  3 mm pilot holes for wood screws.
- It is very important to make certain that the tops of all screws are flush with the surface of the wood and there are no protruding sharp edges.

### XL Stealth™ fasteners (fig. 4b)

- For a XL Stealth™ first drill a hole  $\phi$  5 mm through both parts to be fastened.
- Place the flat washer and bottom part of the bolt cap over the shank of the screw. Place screw in hole and use the T40 bit in your electric drill to tighten. Close the bolt protection cap with its top.

Caution: do not over tighten bolts and screws!

When hardwood is being used it may be necessary to drill pilot holes with a larger diameter, depending on the density of the wood.

040\_805\_GSI\_en\_0300\_20120911\_r1A

# ALLGEMEINE SICHERHEITSHINWEISE

Wir gratulieren Ihnen zum Kauf Ihres Jungle Gym® Selbst-bausatzes. Mit dem Erwerb dieses Jungle Gym® Selbstbausatzes können Sie innerhalb kurzer Zeit ein sicheres Spielgerät bauen, das jahrelange Spielfreude garantiert.

Jungle Gym® Sätze beinhalten speziell entwickelte Befestigungssysteme. Diese wurden mit größter Sorgfalt entwickelt, wobei die Sicherheit Ihrer Kinder stets im Vordergrund stand. Die Befestigungssysteme haben weder scharfe Kanten noch herausstehende Teile und sind gegen jede Form von Witterungseinflüssen geschützt. Die verwendeten Materialien entsprechen den Anforderungen der Europäischen Normen EN 71-1,-2,-3,-8 & -9 für den privaten Gebrauch. Eine sachgerechte Montage und Anwendung wird vorausgesetzt. Weichen Sie nicht von der Montageanleitung ab, und verändern Sie nichts am Design des Spielgerätes.

Achtung. Nur für den Hausgebrauch. Nur für Benutzung im Freien. Maximales Gewicht des Benutzers: 50 kg. Nicht für Kinder unter drei Jahren geeignet. Geeignet für Kinder von drei bis zehn Jahren.

Dieses Produkt ist ausschließlich für den Privatgebrauch – und nicht für den öffentlichen Gebrauch – hergestellt worden.

Lesen Sie diese Montageanleitung sorgfältig durch, bevor Sie mit dem Aufbau beginnen. Heben Sie diese Montageanleitung für eventuelle Anpassungen zu einem späteren Zeitpunkt auf.

## SICHERHEITSHINWEISE

### Holz

- Behandeln Sie alle Schnittflächen und Kopfstücke des Holzes mit Lasur, auch bei bereits imprägniertem Holz.
- Besondere sorgfältig sollten die Teile behandelt werden, die mit dem Boden in Kontakt kommen.
- Ebenso sollten Sie eingelassene Löcher für Schrauben, Strickleitern und Kletterseile mit Lasur behandeln.

### Sicherheitsbereich

- Legen Sie das Spielgerät auf einer ungepflastert stabilen Oberfläche, wie Gras oder einer festen Schicht aus Sand. Stellen Sie den Spielurm nicht auf Beton, Zierkies, Asphalt oder andere harte Flächen auf.
- Der Untergrund muß eben sein, ansonsten würden Verbindungen zu sehr belastet werden, und sie könnten sich auf Dauer lösen oder brechen.
- Der sogenannte Sicherheitsbereich sieht einen Abstand von 200 cm vom Spielgerät nach allen Seiten hin vor. Ein Sturz auf harten Boden kann schwere Verletzungen zur Folge haben. Sorgen Sie für einen weichen Boden innerhalb der Sicherheitszone. Die folgenden Untergründe empfehlen wir Ihnen:

Vorgeschlagenes Material	Tiefe (unverdichtet)
Borke	50 cm
Holzschnitzel	50 cm
feiner Kies	50 cm
feiner Sand	50 cm
Gras	

- Der Sicherheitsbereich muss frei von jeglichen Behinderungen wie Zäunen, Garagen, Häusern, Wäscheleinen und Elektrokabeln sein.
- Stellen Sie das Gerät nicht an Wegen oder Durchgängen auf.
- Wenn Sie z.B. Bahnschwellen oder Balken benutzen, um einem Verschieben des stoßdämpfenden Materials vorzubeugen, so müssen diese außerhalb des Sicherheitsbereichs liegen.

### Sicherheitsmaßnahmen beim Aufbau

- Sorgen Sie dafür, dass sich während des Aufbaus keine Kinder in der Nähe des Arbeitsplatzes aufhalten, bis das Gerät fertig montiert ist. Sie es auf Stabilität und Sicherheit geprüft haben und der Arbeitsplatz vollständig aufgeräumt ist.
- Das Spielgerät sollte von zwei Erwachsenen aufgebaut werden, da schwere Teile aufgerichtet und zum Verschrauben in Position gehalten werden müssen.
- Überprüfen Sie alle Teile, sortieren Sie sie und vergewissern Sie sich, dass kein Teil fehlt.
- Tragen Sie angemessene Schutzkleidung (z. B. Sicherheits-brille, Staubmaske und Handschuhe).
- Folgen Sie bei der Verwendung von Werkzeugen den Sicherheitsempfehlungen des Herstellers.
- Treten Sie nicht auf die Plattform bevor das Spielgerät komplett aufgebaut ist. Benützen bei Bedarf eine Trittleiter.
- Um ein Kippen oder Verschieben des Spielurms zu verhindern, muß dieser mit Grundankern im Boden befestigt werden. Sollte der Boden nicht fest genug sein, gießen Sie die Grundanker in Beton ein. Achten Sie darauf, daß die Anker vollständig im Boden verschwinden. Kinder könnten sich ansonsten daran verletzen.
- Entfernen Sie am Ende des Aufbaus mit einer Metallsäge alle hervorstehenden Gewindeenden von Schrauben und anderen Befestigungselementen. Bearbeiten Sie alle scharfen Kanten mit einer Metallfeile.
- Zur Vermeidung möglicher Holzsplitter schmirgeln Sie alle Ecken und Kanten mit einem Stück 80 Grind starkem Schmirgelpapier zu ein Radius von 3 mm.
- Bringen Sie keine zusätzlichen Elemente, wie z.B. Seile, Ketten, schwere Teile oder Ähnliches an.
- Kombinieren Sie Ihr Jungle Gym® Spielgerät nicht mit Produkten anderer Firmen.
- Verwenden Sie in Kombination mit den original Jungle Gym® Schaukelhaken ausschließlich Rope Locks™. Verwenden Sie die Rope Locks™ nicht für andere Zwecke wie z.B. zum Klettersport oder zum Ziehen von Lasten.
- Das Gewinde des Swing Hook LS muss völlig in das Holz hineingeschraubt werden und eng am Querbalken anliegen. Es ist wichtig, dass der Swing Hook korrekt angebracht wird, da er sonst brechen oder sich lösen kann und eine Verletzungsgefahr darstellt.
- Der Abstand zwischen einem Schaukelelement (z.B. einem Schaukelsitz) und dem Boden muß mindestens 35 cm betragen.
- Der Abstand zwischen einem Schaukelelement und dem Rahmen sollte mindestens 30 cm betragen.
- Der Abstand zwischen mehreren Schaukelelementen sollte 45 cm betragen.

- Kletterseile und Strickleitern müssen immer oben und unten befestigt sein, ansonsten könnte das freie Ende des Seils zu einer Schlinge geknotet werden, in der sich Kinder leicht verfangen oder erwürgen könnten.

## INSPEKTION UND PFLEGE

Um die Sicherheit der Benutzer zu garantieren, muß das Gerät vor jeder Spielsaison einmal und während der Spielsaison mindestens zweimal im Monat nach den unten angeführten Punkten geprüft werden. Die Wartungsüberprüfungen müssen regelmäßig durchgeführt werden. Anderenfalls kann das Aktiv-Spielzeug umfallen oder auf andere Weise zur Gefährdung werden.

### Holzleite

- Kontrollieren Sie das Holz auf Splitter und andere strukturelle Defekte.
- Regelmäßiges Streichen des Gerätes mit einer Außenbeize auf Ölbasis schützt vor Verwitterung. Verwenden Sie keine Farbe, die eine rutschige Oberfläche entstehen lassen könnte. Auf keinen Fall darf das Gerät lackiert werden.

### Befestigungsmaterialien

- Als Sicherheitsmaßnahme sollten alle Muttern und Schrauben auf ihre Festigkeit hin überprüft werden. Zu fest angezogene Befestigungsmaterialien lassen das Holz zersplittern und brechen.
- Kontrollieren Sie die Befestigungsmaterialien, Beschläge und Schaukelhaken auch auf Roststellen, die die Stabilität des Gerätes beeinträchtigen könnten. Im Zweifelsfall ersetzen Sie die Teile.
- Überprüfen Sie, dass die Bodenverankerungen sicher sind. Ersetzen Sie diese gegebenenfalls.

### Zubehör

- Prüfen Sie, dass die Rope Locks™ korrekt an den Jungle Gym® Schaukelhaken befestigt sind. Die Rope Locks HC™ können Sie kontrollieren, indem Sie sich einige Sekunden lang mit Ihrem vollen Gewicht an jedes Schaukelsitz hängen. Ersetzen Sie die Teile falls notwendig.
- Die Rope Locks SC™ können Sie kontrollieren indem Sie sich einige Sekunden lang auf das Gerät setzen. Falls ein Quietschen auftreten sollte, können Sie die Rope Locks HC™ mit Wasser oder einem pflanzlichen Öl, z.B. Olivenöl einschmieren.
- Kontrollieren Sie die Schaukelsitze und Trapeze auf Rißbildung und Brüche. Kontrollieren Sie die Seile auf Ausfransung und Zerfaserung. Um ein Seil genau zu begutachten, sollten Sie die Stränge dort, wo sie ausgefrant sind, öffnen und die einzelnen Stränge des Seils auf ihre Festigkeit hin untersuchen. Prüfen Sie den Sicherheitsgurt der Babyschaukel. Wenn nötig oder im Zweifel auswechseln.
- Kontrollieren Sie die Verbindung der Rutsche mit dem Untergrund und stellen Sie sicher, dass keine Spalten vorhanden sind. Seile könnten in ihnen stecken bleiben, was zu Verletzungen führen kann.
- Reinigung: Alle Elemente können mit Wasser und einem milden Haushaltsreiniger von Schmutz befreit werden. Starker Schmutz auf der Rutsche kann mit einem Hochdruckreiniger entfernt werden. Die Oberfläche der Rutsche und das Holz dürfen dabei nicht beschädigt werden.

### Sicherheitsbereich

- Kontrollieren Sie den Untergrund regelmäßig unter dem Gesichtspunkt der Falldämpfung. Prüfen Sie, dass das Material, das den Boden bildet, weich ist. Lockern Sie es gegebenenfalls auf und füllen Sie Löcher unter Schaukeln mit Erde.
- Kontrollieren Sie die Stabilität des Gerätes.
- Prüfen Sie die direkte Umgebung des Gerätes nach Gefahren wie Äste, Wäscheleinen und herumliegende Gegenstände.

### Umweltschutz

- Bei Entsorgung des Gerätes sind alle Metallteile zu entfernen und das Holz zur örtlichen Abfalldeponie zu bringen. Imprägniertes wie behandeltes Holz darf aus Gründen der Umweltverschmutzung nicht selbst verbrannt werden.

## SICHERHEIT BEIM SPIEL

### Achtung:

- Aufsicht durch einen Erwachsenen vor Ort ist für Kinder aller Altersgruppen jederzeit erforderlich.
- Unterrichten Sie die Kinder in der sicheren Anwendung der Geräte.
- Ziehen Sie Ihren Kindern geeignete Kleidung zum Spielen an.
- Vermeiden Sie jegliche Form von modischem Zubehör (z.B. Schals, Uhren, Schnüre usw.) und sehr weit sitzende Kleidung, die sich am Spielgerät verfangen könnte. Fahrradhelme sollten vor dem Spielen ebenfalls abgesetzt werden.
- Versuchen Sie nicht zuletzt, jeder denkbaren Gefahr vorzubeugen.
- Jungle Gym® Produkte sind für Kinder von 3 bis 10 Jahren entwickelt, es sei denn, etwas anderes ist angegeben.

### Sicherheit beim Spiel (bild 1)

1. Bei nassem Wetter sind die Geräte feucht und rutschig und somit nicht zum Spielen geeignet. Auch bei Frost kann sich ein weicher Boden in einen harten Untergrund verwandeln. Bei Temperaturen unter 0° C sollten Sie das Zubehör abnehmen und im Haus aufbewahren.
2. Die Spielgeräte und das Zubehör dürfen nur zweckentsprechend benutzt werden. Bei Mißachtung kann es zu Beschädigungen und Verletzungen kommen. Achten Sie darauf, dass Schaukeln, Ketten, Tauen oder anderes Zubehör nicht verdreht werden. Dadurch würden die Materialien strapaziert werden, und es kann außerdem zu Einklemmungen von Körperteilen kommen.
3. Kinder sollten niemals:
  - beim Schaukeln abspringen
  - leere Schaukeln oder anderes Zubehör schwingen lassen
  - schräg Schaukeln
  - über Kopf vom Klettergerüst herab hängen
  - andere Schaukelnde Kinder festhalten oder stoppen
  - vor, hinter oder zwischen beweglichen Spielelementen laufen
  - oder spielen
4. Kinder sollten immer mit ihrem vollen Gewicht in der Mitte der Schaukel sitzen. Es ist nur ein Kind pro vorhandenem Sitz erlaubt. Bei einem Standard-Kletterturm können maximal 3 Kinder – mit einem

Höchstgewicht von 50 Kg je Kind – zugleich auf dem Turm spielen. Bei einem Kletterturm, der mit einer Schaukel kombiniert ist, können maximal 5 Kinder – mit einem Höchstgewicht von 50 Kg je Kind – zugleich auf dem Turm spielen.

5. Lassen Sie Kinder niemals auf Dächern der Türme und die obere Leiter des Moduls klettern. Ein Sturz aus größerer Höhe kann Verletzungen verursachen.
6. Der Spielbereich muss frei von jeglichen Hindernissen sein.
7. Nicht gesicherte Bereiche an der Plattform stellen ein Unfallrisiko dar. Dieses Unfallrisiko wird durch das Anbringen von Handgriffen, Sicherheitsstützen oder Geländern verringert.
8. Kinder sollten nur im Sitzen rutschen. Vermeiden Sie direkte Sonneneinstrahlung auf die Rutsche. Alle Teile des Spielgerätes können bei direkter Sonneneinstrahlung sehr heiß werden. Stellen Sie sicher, daß das Spielgerät nicht heiß ist, bevor Sie Ihre Kinder darauf spielen lassen. Falls notwendig kann das Spielgerät mit kaltem Wasser abgekühlt und danach abgetrocknet werden. Vorsicht, Wasser auf der Rutsche kann dazu führen, dass Kinder schneller rutschen.

### Erforderliches Werkzeug für den Aufbau (bild 2)

- 1 Maßband, 2 Eileistift, 3 Handsäge, 4 Winkelmaß, 5 Bohrmaschine, 6 Hammer 7 Wasserwaage

### Anbringen von Schrauben und Muttern (bild 3)

- Bohren Sie ein Loch von 10 Millimetern Durchmesser in die Teile, die zusammengefügt werden sollen.
- Schlagen Sie den Zylinder der Mutter mit einem Hammer in das Loch. Der Zylinder der Mutter sollte ganz im Holz versinken. Platzieren Sie die Sicherheitsdichtung über den Schaft der Schraube, darüber die Abstandsscheibe und das Unterteil der Schutzkappe. Drehen Sie die Schraube zunächst mit der Hand in die Mutter. Ziehen Sie sie anschließend mit der 13-mm-Nuss mit Hilfe Ihrer elektrischen Bohrmaschine fest, bis die Sicherung der Sicherheitsdichtung vollkommen zwischen dem Kopf der Schraube und der Abstandsscheibe festgezogen ist. Schließen Sie die Schutzkappe mit der vorgesehenen Abdeckung.
- Sollte sich herausstellen, dass die Schraube zu kurz ist, raten wir, den oberen Teil des Lochs im dicksten Teil des Holzes mit einem 22-mm Bohrfutter auf eine Tiefe von circa 15 mm aufzubohren, so dass die Schraube nach dem Zusammenfügen ganz im Holz verschwindet. Behandeln Sie die Öffnung mit Holzfarbe. Da die Schraube nun versenkt ist, wird die Abdeckkappe nicht mehr benötigt.
- Ist die Schraube zu lang, schneiden Sie die Gewinde mit einer Metallsäge ab und glätten Sie alle scharfen Kanten mit einer Metallfeile.

### Vorböhrer der Löcher (bild 4a+4b)

Damit das Holz nicht zersplittert, raten wir Ihnen, alle Löcher für die Schrauben vorzubohren. Diese Löcher müssen 10 mm kürzer als die Schrauben selbst sein. Werden Sechskant-Holzschrauben verwandt, sollte man ein Loch mit einem Durchmesser von 10 mm vorbohren.

### Holzschrauben (bild 4a)

- Bohren Sie für Holzschrauben Löcher mit einem Durchmesser von 3 Millimetern vor.
- Es ist von größter Wichtigkeit, dass die Köpfe aller Schrauben bündig mit der Oberfläche des Holzes abschließen, und dass keine scharfen Kanten entstehen.

### XL Stealth™ holzschrauben (bild 4b)

- Für XL Stealth™ holzschrauben bohren Sie zunächst ein Loch mit einem Durchmesser von 5 Millimetern in beide Teile, die anein ander zu bringen sind.
- Platzieren Sie die Abstandsscheibe und das Unterteil der Schutzkappe auf den Schaft der Schraube. Stecken Sie die Schraube in das Loch und ziehen Sie sie mit einer T-40 bit und mit Hilfe Ihrer Bohrmaschine fest. Schließen Sie die Schutzkappe mit der Abdeckung.

Vorsicht: Überdrehen Sie die Schrauben und Muttern nicht!

Bei Gebrauch von Hartholz kann es notwendig sein mit einem größerem Durchmesser vor zu bohren, je nach Intensität des Holzes.

040\_805\_GSI\_de\_0300\_20120911\_n1A

# INSTRUCTIONS DE SÉCURITÉ

Félicitations! Vous venez d'acheter un kit comprenant les pièces et accessoires nécessaires pour construire un portique de jeux Jungle Gym®. L'achat de ce kit Jungle Gym® vous permet de monter en peu de temps dans votre jardin un portique de jeux pour le plus grand plaisir de vos enfants qui en profiteront de longues années en toute sécurité.

Les kits Jungle Gym® sont composés d'un matériel réalisé avec le plus grand soin tout en apportant une attention particulière à la sécurité de vos enfants. La matière, conçue pour résister aux influences climatiques, ne présente aucune forme, tel que, angles ou parties saillantes, susceptibles de les blesser. Les éléments utilisés dans les kits Jungle Gym® répondent aux Normes de Sécurité européennes pour usage privé EN 71-1, -2, -3, -8 & -9, dans les conditions d'application et de montage appropriées. Suivez les indications du manuel et n'apportez aucune modification au modèle.

Attention. Réservé à un usage privé. Uniquement pour un usage à l'extérieur. Le poids maximal de l'utilisateur est de 50 kg. Ne convient pas aux enfants de moins de trois ans. Convient aux enfants de trois à dix ans.

Ce produit est exclusivement conçu pour un usage familial individuel et privé. Il ne convient pas aux installations de jeux publics.

Lisez attentivement et intégralement ces instructions avant de commencer à construire et conservez ce manuel afin de pouvoir le consulter ultérieurement.

## CONSEILS DE SÉCURITÉ

### Bois

- Traitez toutes les surfaces de sciage et côtés de tête du bois avec une teinture à bois pour extérieur de bonne qualité afin d'éviter la putréfaction, il en est de même pour le bois imprégné. Accordez une attention toute particulière aux parties en contact avec le sol.
- Traitez également les trous de forage approfondis, ceux de l'échelle en corde et ceux de la corde à grimper.

### La périphérie de jeux

- Placez le portique sur une surface stable non pavée, comme l'herbe ou une couche solide de sable.
- Le sol doit être soigneusement nivelé. Évitez d'installer le portique sur un terrain en pente où l'ensemble serait incliné ou
- susceptible de "boîtier". La surcharge exercée par cette inclinaison sur les points d'assemblage risque à la longue de les détériorer.
- Afin de créer une zone de sécurité, laissez 200 cm de dégagement à la périphérie de jeux. N'installez pas le portique sur un sol en goudron, gravier et autres sols durs présentant le risque de graves blessures en cas de chute. Utilisez de préférence les revêtements suivants:

Matériau recommandé	Profondeur non compressée
Double paillis d'écorce	50 cm
Copeaux de bois	50 cm
Fin gravier	50 cm
Sable fi	50 cm
L'herbe	

- Placez le portique sur une surface plane et sans aucun obstacle tels qu'arbres, étendages, haies, bâtiments ou fils électriques
- Veillez à ne pas orienter le portique dans la direction de sentiers ou voies de passages.
- Installez le revêtement de sol sous le jeu. Toutes bordures (traverses ou autres) utilisées pour contenir le revêtement doit se trouver à l'extérieur de la zone de sécurité.

### Monter en toute sécurité

- Tenez les enfants éloignés pendant le montage et veillez à ce qu'ils ne jouent pas avec le portique tant que son installation n'est pas entièrement terminée, les fixations et les points d'assemblage doivent être soigneusement vérifiés, et la zone de sécurité déblayée et rangée.
- La construction de ce portique nécessite l'intervention d'un minimum de 2 adultes, afin de soulever et de maintenir le bois et autres pièces dans la bonne position et d'assurer une fixation parfaite des éléments.
- Contrôlez le contenu de la boîte ainsi que les bois et disposez-les de manière méthodique. Vérifiez avec la liste ci-jointe.
- Portez des vêtements de travail et un équipement de protection efficace (lunettes de sécurité, masque anti-poussière et gants) lorsque vous sciez, percez, poncez, peignez et assemblez, en particulier lorsque vous utilisez du bois imprégné sous pression.
- Suivez les instructions des fabricants de l'outillage et autre matériel que vous utilisez.
- Ne grimpez pas sur la plate-forme avant la fin du montage, utilisez une échelle si vous n'arrivez pas à accéder à une certaine hauteur.
- Le portique doit être soigneusement ancré dans le sol pour éviter de glisser ou de se renverser. Si le sol est meuble, coulez du béton autour des fixations d'ancrage. Attention, ils ne doivent pas dépasser la hauteur du sol sinon les enfants risqueraient de trébucher dessus.
- Une fois la construction achevée, sciez les parties métalliques saillantes (extrémités de boulons et autres) avec une scie à métaux et arrondissez les côtés tranchants avec une lime.
- Pour éviter les échardes, poncez les pièces en bois avec du papier de verre. Réduisez également tous les angles avec du papier de verre ou une lime jusqu'à un arrondi de 3 mm.
- Ne fixez au portique aucun objet supplémentaire, comme des cordes ou des chaînes.
- N'utilisez pas d'accessoires d'une autre marque en combinaison avec les produits Jungle Gym®, sous peine de nuire au niveau de sécurité.
- Utilisez uniquement les RopeLocks™ en combinaison avec les balançoires Jungle Gym®. N'utilisez pas les RopeLocks™ dans d'autres buts, escalades, varappe, ou pour se hisser ou encore traîner des charges.
- La pièce métallique du Swing Hook LS doit être fixée entièrement dans le poteau horizontal. Il est très important de soigner la fixation du Swing Hook. Dans le cas où il serait mal posé ou inversé, celui-ci pouvait se casser ou se détacher brusquement et causer des blessures.
- La distance entre les accessoires de balançoire (par exemple escarpolette) et le sol doit être de 35 cm minimum.
- La distance minimale entre l'accessoire extérieur et l'armature doit être de 30 cm.
- La distance entre les Swing Hooks de la balançoire doit être 45 cm.
- La distance entre les accessoires de balançoires doit être 45 cm.
- Les cordes à grimper et les échelles en corde doivent systématiquement être fixés en haut et en bas, dans le cas inverse l'extrémité libre de la corde risque de former un nœud coulant.

## INSPECTION ET ENTRETIEN

Afin de pouvoir garantir la sécurité des utilisateurs, le portique doit être soumis à un contrôle attentif de sécurité au début de chaque saison d'utilisation, puis deux fois par mois pendant cette saison, sur les points suivants. Si les contrôles de maintenance ne sont pas réalisés régulièrement, le jouet d'activité pourrait se renverser ou devenir autrement dangereux.

### Parties en bois

- Contrôlez la présence d'échardes ou de défauts éventuels de la structure.
- Traitez régulièrement avec une teinture pour bois extérieur afin de prévenir la putréfaction du bois. N'utilisez pas de peinture risquant de produire une surface glissante.

### Matériel de fixation

- Assurez-vous que toutes les vis et tous les écrous soient encore assez solidement fixés. Attention : un serrage trop fort occasionne la formation d'échardes et de fentes dans le bois.
- Contrôlez le reste du matériel de fixation, archets et crochets de balançoires, ainsi que la présence de rouille qui risque d'affecter leur solidité. En cas de doute, remplacez-les.
- Contrôlez l'ancrage au sol et veillez à ce que la fixation soit toujours résistante.

### Accessoires (le cas échéant)

- Contrôlez également si les Rope Locks™ sont bien montés et suspendus aux crochets de balançoire Jungle Gym®. Pour un bon contrôle des RopeLocks HC, accrochez-vous, pendant quelques secondes de tout votre poids à chacune des cordes de balançoire séparément. Procédez de la même façon pour les RopeLocks SC en pesant pendant quelques secondes de tout votre poids sur les accessoires concernés. En cas de doute, remplacez-les. Vous pouvez éviter le grincement des RopeLocks™ en les humidifiant avec de l'eau ou de l'huile végétale.
- Contrôlez les sièges de balançoire et les trapèzes sur la présence de fissures et vérifiez que les cordes de balançoire ne s'effilochent pas suite à un frottement. Dans ce cas par mesure de sécurité, desserrez la tresse des cordes à l'endroit de l'usure constatée, afin de pouvoir contrôler avec précision la solidité des fibres. En cas de doute, remplacez-les. Contrôlez la ceinture du Baby Swing. En cas de doute, remplacez-la.
- Contrôlez la fixation du toboggan sur la plate-forme, sur la présence éventuelle de fentes dans lesquelles les cordelettes de capuchons seraient susceptibles de se coincer, occasionnant un risque d'étranglement.
- Les accessoires peuvent être nettoyés avec un détergent doux. Il est éventuellement possible de nettoyer un toboggan très sale à l'aide d'un jet à haute pression, à condition de veiller à ne pas abîmer sa surface.

### La périphérie de jeux

- Vérifiez régulièrement que le sol ne soit pas trop tassé pour bien amortir les chocs. Ratissez si nécessaire. Comblez les trous, notamment sous des sièges de balançoire.
- Contrôlez la stabilité du portique.
- Assurez-vous que l'environnement direct du portique soit libre de tout obstacle, branches d'arbre, lignes d'étendage, objets instables etc.

### Protection de l'environnement

- Si vous décidez de supprimer le portique, enlevez toutes les parties métalliques et synthétique pour éviter tout risque de blessure et mettez le bois à la décharge. Il est interdit de brûler soi-même le bois imprégné, enduit ou peint, en raison des risques de pollution.

## JOUER EN SECURITE

### Attention:

- Veillez à ce que les enfants quel que soit l'âge jouent toujours sous la surveillance d'un adulte.
- Apprenez aux enfants à jouer en toute sécurité.
- Sauf indication contraire, les produits Jungle Gym® sont conçus pour des enfants de 3 à 10 ans.
- Veillez à ce que les enfants portent des vêtements adéquats pour jouer, bien attachés et sans cordelettes ou accessoires pouvant restés accrochés.
- Faites appel à votre bon sens pour éviter des accidents.

### Jouer en sécurité (fig. 1)

1. Par temps pluvieux, ne pas se servir des jeux, car ils peuvent devenir glissants. En cas de gel, ne pas oublier que même un sol meuble peut devenir très dur. Rentez les accessoires en cas de températures négatives.
2. N'utilisez pas le portique ou les accessoires dans un but autre que celui auquel ils sont destinés car ceci pourrait entraîner des dommages ou des blessures. Ne laissez pas les enfants tourillonner sur les accessoires. Ceci occasionne, en effet, une surcharge des cordes et entame leur résistance. De plus, les enfants risquent ainsi de se retrouver coincés dans les cordes.
3. Évitez impérieusement que les enfants :
  - sautent des balançoires en mouvement,
  - poussent les accessoires à vide,
  - se balancent en oblique ou latéralement,
  - se suspendent la tête en bas au portique,
  - s'agrippent mutuellement quand ils se balancent,
  - passent devant, entre ou derrière les accessoires en mouvement.
4. Faites asseoir les enfants de tout leur poids bien au centre de la balançoire et ne surchargez pas les accessoires par un nombre d'utilisateurs plus grand que prévu. Ne laissez pas plus de 3 enfants (3 x 50 kg max.) jouer ensemble sur une tour normale, et pas plus de 5 enfants (5 x 50 kg max.) sur une tour avec balançoire combinée.
5. Interdisez aux enfants de monter sur la toiture ou sur la structure du portique. Une chute peut provoquer des blessures graves.
6. Le zone de jeu doit être libre de chaque obstacle.
7. Veillez à bien délimiter l'aire de jeu sur chaque côté, en plaçant des barres de sécurité ou autre balustrade, pour éviter tout risque d'accident.
8. Ne laissez pas les enfants glisser sur le toboggan autrement qu'assis,

visage tourné vers l'avant. Évitez que le toboggan ne soit orienté vers le sud en raison de la chaleur du soleil. Avant que les enfants ne jouent, contrôlez que la surface ne soit pas trop chaude. Refroidissez-la éventuellement avec de l'eau puis séchez-la. Veuillez noter que l'eau sur le toboggan les enfants peut faire glisser plus rapidement.

### Outils nécessaires (fig. 2)

1. Mètre à ruban, 2. Crayon, 3. Scie à main, 4. Lime à bois et métal, 5. Perceuse électrique, 6. Marteau, 7. Niveau à bulle

### Assemblage standard des boulons (fig. 3)

- Percez un avant-trou de 10mm à l'endroit indiqué sur le plan.
- Insérez totalement la cheville dans l'avant-trou à l'aide d'un marteau. Prenez le boulon, glissez d'abord la rondelle élastique, puis la rondelle plate.
- Faites passer le boulon et ses 2 chevilles dans les Bolt Caps. Puis vissez le tout à l'aide d'une perceuse et de l'embout de 13mm fourni dans l'avant-trou à l'opposé de la cheville. Visser jusqu'à ce que la rondelle élastique soit écrasée entre le boulon et la rondelle plate.
- Dans le cas où le boulon sera trop court élargi l'avant-trou à l'aide de la mèche de 22 mm dans le bois le plus épais. Vous devez également procéder au traitement de ce trou par une lasure ou un vernis. Dans le cas présent, n'utilisez le Bolt Cap.
- Dans le cas où le boulon est trop long, coupez l'extrémité, une fois vissée. Limez, si nécessaire, les côtés pointus.

### Perçage d'un avant-trou (fig. 4a+4b)

- Pour éviter que le bois ne se fende, il est conseillé de percer un avant-trou de 3mm d'épaisseur et de 10mm plus court que la vis.

### Vis à bois (fig. 4a)

- Vissez les vis à bois. Faites attention : il est important que les vis soient enfoncées dans le bois et qu'elles n'aient pas de parties qui dépassent.

### XL Stealth™ vis à bois (fig. 4b)

- Percez d'abord un trou de 5mm au travers des deux bois.
- Avant d'insérer la vis, glissez la rondelle ainsi que le Bolt Cap, puis visser avec un bit T40. Enfin appliquez le bouchon du Bolt Cap sur la vis.

Attention: Ne pas serrer trop fort les boulons!

En cas d'utilisation de bois dur il sera peut être nécessaire de forer avec un plus grand diamètre, suivant la densité du bois.

040\_805\_GSI\_0300\_20120911\_n1A

# ALGEMENE VEILIGHEIDSINSTRUCTIES

Gefeliciteerd met de aanschaf van deze montage kit! Deze kit bevat het montage materiaal en de accessoires voor de bouw van een speeltoestel. Met de aanschaf van deze Jungle Gym® kit staat in korte tijd een veilig kinderspeeltoestel in uw tuin, dat jarenlang speelplezier garandeert voor uw kinderen.

Jungle Gym® kits zijn samengesteld uit onder andere speciaal ontwikkeld bevestigingsmateriaal. Bij de ontwikkeling is aan het veiligheidsaspect veel aandacht besteed. Het metalen bevestigingsmateriaal heeft geen scherpe hoeken of uitstekende delen en is beschermd tegen weersinvloeden. De gebruikte materialen in de kits van Jungle Gym® voldoen, bij een juiste toepassing en montage, aan de eisen en voorschriften inzake veiligheid en kwaliteit omschreven in de Europese richtlijn voor Speelgoed (EN 71-1, -2, -3, -8 & -9) voor privé-gebruik. Wijk daarom niet af van de handleiding en breng geen veranderingen aan in het ontwerp.

Waarschuwingen. Uitsluitend voor huishoudelijk gebruik. Alleen geschikt voor buitengebruik. Het maximale gewicht per gebruiker is 50 Kg. Niet geschikt voor kinderen jonger dan 3 jaar. Geschikt voor kinderen van drie tot tien jaar oud.

Dit product is alleen bedoeld voor particulier gebruik. Plaatsing van dit toestel in openbare gelegenheden en gebruik voor commerciële doeleinden is niet toegestaan.

Neem deze instructie aandachtig en volledig door voordat u begint met bouwen. Bewaar deze handleiding zodat u deze naderhand nog kunt raadplegen.

## VEILIGHEIDSADVIEZEN

### Houtkeuze

- Behandel alle zaagvlakken en kopsen kanten van het hout met een buitenbeits om het houtrot te voorkomen, ook bij geïmpregneerd hout.
- Besteed bijzondere aandacht aan delen die met de bodem in contact komen.
- Behandel ook eventuele verdiepte boutgaten en gaten voor de touwlander of het klimtouw.

### Veilige speelruimte

- Plaats het speeltoestel op een stabiele onverharde ondergrond, zoals gras of een stevige zandlaag. Plaats het toestel niet op asfalt, grind, beton of een andere harde ondergrond.
- Het toestel moet op een vlakke ondergrond geplaatst worden.
- Indien het toestel op een hellende ondergrond geplaatst wordt kan het scheef gaan staan. Dit geeft een onevenredige drukverdeling op de connectiepunten waardoor boutverbindingen in de loop van de tijd los kunnen gaan zitten.
- Om een veilige speelruimte te creëren dient aan alle zijden van het speeltoestel een vrije ruimte van 200 cm te zijn. Een val op harde ondergrond kan letsel veroorzaken. Hieronder staat een lijst met aanbevolen schok absorberende materialen:

Aanbevolen materiaal	niet samengeperste diepte
Boomschors	50 cm
Houtsnippers	50 cm
Fijn grind	50 cm
Grof zand	50 cm
Gras	

- Verwijder eventueel struikelgevaar zoals stenen, boomstronken, wortels enz. uit de veilige speelruimte.
- De veilige speelruimte moet vrij zijn van hekken, garage, overhangende takken, waslijnen, elektrische draden en andere obstakels.
- Stel het toestel zo op dat het zich niet in de looprichting van paden of doorgangen bevindt.
- Indien u het schokabsorberende materiaal op zijn plaats wilt houden met bijvoorbeeld bielen dan moet dat buiten het veilige speelveld gebeuren.

### Veilige montage

- Houd tijdens de montage kinderen uit de buurt totdat er geen obstakels meer in het speelveld zijn, het speeltoestel volledig gemonteerd is, alle schroeven, bouten en moeren vastgedraaid en gecontroleerd zijn en al het gereedschap en andere onderdelen die niet bij het speeltoestel horen opgeruimd zijn.
- Voor het bouwen van dit toestel zijn tenminste 2 volwassenen nodig, één om het hout in positie te houden en de ander om onderdelen vast te schroeven.
- Controleer de inhoud van de doos en alle houten onderdelen leg ze overzichtelijk neer.
- Draag werkkleding en doelmatige veiligheidsmiddelen (veiligheidsbril, stofmasker en handschoenen) als u zaagt, boort, beitst of bouwt. Zeker als u geïmpregneerd hout gebruikt. Volg de aanwijzingen van de fabrikanten van het gereedschap op dat u gebruikt.
- Ga niet op het platform staan voordat het toestel volledig gemonteerd is, gebruik een ladder als u ergens niet bij kunt.
- Veranker het toestel aan de bodem met grondankers om kantelen of schuiven te voorkomen. Als de bodem niet stevig genoeg is, stort de grondankers dan in beton. Let op dat de grondankers niet uitsteken. Kinderen kunnen hierover struikelen.
- Zaag na het bouwen alle uitstekende metalen delen af met een ijzeraag en verwijder scherpe kanten met een vijl.
- Ter voorkoming van splinters, schuur het hout van het toestel met een stuk schuurpapier. Rond ook alle hoeken af met schuurpapier of een vijl tot een straal van 3 mm.
- Bevestig geen extra voorwerpen aan het toestel zoals touwen kettingen.
- Combineer geen producten van andere producenten met de producten van Jungle Gym®, omdat dan de veiligheid in gevaar kan komen.
- Gebruik RopeLocks™ alleen in combinatie met schommelhaken van Jungle Gym®. Gebruik de RopeLocks™ niet voor andere doeleinden, zoals bergbeklimmen of het takelen / slepen van lasten.
- De schroefdraad van de Swing Hook LS moet volledig in het hout van de bovenbalk worden gedraaid. Het is belangrijk dat de haak in de juiste positie wordt gedraaid. (zie instructies Swing Hooks). Een verkeerd gemonteerde of onjuist geplaatste Swing Hook kan breken of losschieten en letsel veroorzaken!

- De afstand tussen een schommelaccessoire (bijvoorbeeld een schommelzitje) en de grond moet minimaal 35 cm zijn.
- De afstand tussen een accessoire en het frame moet minimaal 30 cm zijn.
- De afstand tussen de Swing Hooks moet 45 cm zijn.
- De afstand tussen de schommel accessoires moet 45 cm zijn.
- Een klimtouw of een touw ladder moet altijd onder en boven vastgemaakt worden, omdat anders het vrije uiteinde van het touw tot een strop geknoopt kan worden.

## INSPECTIE EN ONDERHOUD

Om voor de veiligheid van de gebruikers in te kunnen staan moet het toestel eenmaal bij aanvang en vervolgens 2 maal per maand tijdens het gebruikseizoen zorgvuldig aan de onderstaande veiligheidsinspectie worden onderworpen. Indien de onderhoudscontroles niet regelmatig uitgevoerd worden, zou het speeltoestel kunnen omvallen of anderszins gevaar opleveren.

### Houten onderdelen

- Controleer op splinters en mogelijke andere structurele schade.
- Een regelmatig onderhoud met een buitenbeits voorkomt houtrot. Gebruik geen verf die een glad oppervlak kan veroorzaken.

### Bevestigingsmaterialen

- Controleer alle schroeven en bouten of ze nog voldoende vast zitten. Let op: als schroeven of bouten te strak worden aangedraaid ontstaan er splinters en/of het hout splijt.
- Controleer het overige bevestigingsmateriaal, beugels en schommelhaken ook op roest die de sterkte aan zou kunnen tasten. Bij twijfel vervangen.
- Controleer de grondankers of deze nog vast zitten. Bij twijfel opnieuw vastzetten of vervangen.

### Accessoires (indien van toepassing)

- Controleer of de RopeLocks™ goed gemonteerd en opgehangen zijn aan de Jungle Gym® schommelhaken. Om de RopeLocks HC te controleren dient u met uw volle gewicht gedurende enige seconden aan ieder afzonderlijk schommel touw te hangen. De RopeLocks SC kunt u controleren door de betreffende accessoire gedurende enige seconden met uw volle gewicht te belasten. Vervang bij twijfel. Het piepen van de RopeLocks™ kan worden tegen gegaan door deze met water of een plantaardige olie te bevochtigen.
- Controleer de schommelzittingen en trapezen op scheuren of breuk. Controleer schommel touwen op rafelen of extreme vezelvorming die ontstaat als gevolg van het opdraaien van de schommel accessoires. Om dit goed te beoordelen dient u ter plaats van de geconstateerde slijtage de touwen open te draaien zodat de vezels van het schommel-touw nauwkeurig op breuk kunnen worden beoordeeld. Controleer de veiligheidsriem van de babyschommel. Bij twijfel vervangen.
- Controleer de bevestiging van de glijbaan aan het platform op spleten waarin bijvoorbeeld koordjes van capuchons kunnen blijven haken waardoor verstikkingsgevaar kan optreden.
- De accessoires kunnen worden gereinigd met een niet agressief schoonmaakmiddel. Een zwaar verontreinigde glijbaan kan eventueel schoongemaakt worden met een hogedrukreiniger, let op dat het glijbaanoppervlak niet beschadigd raakt.

### Veilige speelruimte

- Controleer de ondergrond regelmatig op de mate van schokabsorptie. Indien de ondergrond teveel samengeperst is dient het los geharkt te worden. Kuilen die ontstaan zijn bijvoorbeeld door het schommelen dienen opgevuld te worden.
- Controleer de stabiliteit van het toestel.
- Beoordeel de directe omgeving van het speeltoestel op direct gevaar zoals overhangende boomtakken, waslijnen, losliggende materialen.

### Milieu

Als u besluit het toestel weg te gooien, verwijder dan alle metalen en kunststof delen en breng het hout weg naar uw plaatselijke vuilverwerking. U mag geïmpregneerd, geverfd en gebeitst hout niet zelf verbranden met het oog op het milieu.

## VEILIG SPELEN

### Attentie:

- Laat kinderen altijd onder toezicht van een volwassene spelen.
- Leer kinderen veilig spelen.
- Zorg dat kinderen passend gekleed zijn voor het spelen. Let op dat ze geen loszittende kleding dragen, of kleding met touwvlechten of accessoires die klem kunnen komen zitten.
- Gebruik uw gezond verstand om ongelukken te voorkomen.
- De producten van Jungle Gym® zijn ontworpen voor kinderen van 3-10 jaar, tenzij anders aangegeven.

### Veilig spelen (fig.1)

- Tijdens nat weer zijn speeltoestellen niet geschikt om op te spelen omdat onderdelen dan glad kunnen worden. Tijdens vorst kan zelfs een zachte ondergrond veranderen in een kei harde laag. Bij vorst de accessoires binnenhalen.
- Gebruik het toestel of de accessoires niet anders dan waarvoor ze bestemd zijn. Dit kan leiden tot schade of letsel. Laat kinderen de accessoires niet opdraaien hierdoor wordt het touw extreem zwaar belast en heeft dus een kortere levensduur tot gevolg. Ook kunnen kinderen klem komen te zitten.
- Zorg ervoor dat kinderen niet van bewegende schommels springen.
  - Laat kinderen geen onbezette accessoires heen en weer schommelen.
  - Laat kinderen niet ondersteboven aan het toestel hangen. Zorg ervoor dat kinderen elkaar niet vastgrijpen tijdens het schommelen.
  - Zorg ervoor dat kinderen niet voor, tussen of naast andere in gebruik zijnde accessoires lopen.
- Laat kinderen met hun volle gewicht in het midden van de schommel zitten, en laat een accessoire gebruiken door het aantal kinderen waarvoor het ontworpen is. Bij een gewone klimtoren: laat maximaal 3 kinderen van maximaal 50 Kg per kind tegelijkertijd op het toestel spelen. Bij een klimtoren gecombineerd met een schommel: laat

maximaal 5 kinderen van maximaal 50 Kg per kind tegelijkertijd op het toestel spelen.

- Laat kinderen nooit op dakjes of bovenop Modules klimmen. Een val van grotere hoogte kan resulteren in letsel.
- Zorg dat er geen obstakels op en rond het speelterrein aanwezig zijn.
- Ieder op een gedeelte van een platform geeft een mogelijkheid tot ongelukken. Dit risico wordt aanmerkelijk lager als er handgrepen, veiligheidssteunen of balustrades toegepast worden.
- Laat kinderen op geen andere manier dan zittend met het gezicht naar voren van de glijbaan glijden. Voorkom dat de glijbaan op het zuiden gericht staat in verband met opwarming door de zon. Controleer voordat kinderen gaan spelen of oppervlakten niet te heet zijn. Eventueel afkoelen met water, daarna afdrogen. Let op, water op de glijbaan kan ervoor zorgen dat kinderen sneller glijden.

### Benodigd gereedschap (fig. 2)

- Rolmaat, 2. Potlood, 3. Handzaag, 4. Hout- en metaalvijl, 5. Boormachine, 6. Hamer 7. Waterpas

### Standaard boutverbinding (fig. 3)

- Boor een gat van 10mm in de vast te zetten delen.
- Breng de inslagmoer met de schacht aan in het geboorde gat en sla de tandjes in het hout.
- Plaats eerst de veerring en dan de sluitring over de schacht van de moerbout gevolgd door een Bolt Cap™.
- Schuif de moerbout door het gat en draai de bout eerst met de hand aan voordat u gebruik maakt van de bijgeleverde 13 mm dop in uw boormachine om de bouten verder aan te draaien totdat de veerring volledig is platgedrukt tussen de moer boutkop en de sluitring. Sluit de Bolt Cap.
- Indien de bout te kort is, kunt u met een speedboor van ø 22 mm het eerste deel van het boorgat in het dikste stuk hout verdiepen, zodat de boutkop verzonken is. Behandel het ontstane gat met beits. Aangezien de boutkop nu verzonken is, is het niet nodig een Bolt Cap™ te gebruiken.
- Indien de bout te lang is, dient u het uitstekende deel af te zagen.
- Vijl eventuele scherpe bramen weg.

### Voorboren (fig.4a+4b)

Om te zorgen dat het hout niet splijt wordt aangeraden om voor alle schroeven voor te boren. Boor 10mm minder diep dan de schroef lang is.

### Houtschroeven (fig. 4a)

- Boor, bij gebruik van hout Schroeven, eerst een gat van ø 3 mm in het deel wat u wilt bevestigen.
- Het is belangrijk dat de schroeven volledig in het hout zitten en dat er geen scherpe uiteinden zijn.

### XL Stealth™ houtdraadbouten (fig. 4b)

- Voor het aanbrengen van de XL Stealth™ houtdraadbout, boor eerst voor met 5mm in beide delen.
- Plaats de sluitring en bakje van de Bolt Cap over de bout.
- Plaats het geheel in het geboorde gat en fixeer de bout met behulp van de T40 bit. Bevestig daarna het dopje van de Bolt Cap.

Let op: Zorg dat u de bouten en schroeven niet te strak vastdraait!

Bij gebruik van hardhout kan het noodzakelijk zijn voor te boren met een grotere diameter, al naar gelang de dichtheid van het hout.

040\_805\_GSI\_ni\_0300\_20120911\_NA

# ОБЩИ ПРАВИЛА ЗА ТЕХНИКА НА БЕЗОПАСНОСТ

Честито за покупката на катерушката Jungle Gym® ! Сглобете я сами. Комплекът Jungle Gym® е игрови комплекс, който се сглобява за кратко време и радва децата години наред.

В комплексите Jungle Gym® визат специално разработени крепежни елементи. Тези принадлежности са конструирани особено грижливо с цел да бъдат абсолютно безопасни за децата. Крепежните елементи нямат остри ъгли или изпъкнали части и са защитени от всички видове атмосферни въздействия. Всички детайли на комплектите отговарят на EN 71-1, -2, -3, -8 и -9 (Европейски стандарт за безопасност) за лично ползване при условие, че даденото ръководство се спазва при монтаж и използване на оборудването за детска площадка. Строго следвайте рисунките и не променяйте конструкцията.

Внимание. За употреба само в домашни условия. Употреба само в домашни условия. Максималното тегло на потребителя е 50 Kg. Не подхождащо за деца под тригодишна възраст. Подходящо за деца на възраст от три до десет години.

Изделието е предназначено само за еднофамилни къщи. Общественото използване на комплекса или монтаж на обществени места са строго забранени.

Преди да започнете сглобяването внимателно прочетете настоящите инструкции и ги пазете за понататъшни справки.

## ИНСТРУКЦИИ ЗА БЕЗОПАСНОСТ

### дървен материал

- Покрийте всички срязани повърхности и краища с консервант за предпазване на дървото от плесеняване и при натоварвания.
- Същото се отнася и при използването на пресована под налягане дървесина.
- Особено се погрижете за елементите, които имат допир с грунда.
- Също така байцвайте отвътре всички пробити отвори и отворенията за закрепване на въжената стълба или въжето за катерене.

### предпазна зона

- Поставете Playset на неасфалтирани стабилна повърхност, която например трева или твърд слой пясък. Да не се изгражда детския игрови комплекс върху бетон, чакъл или друга твърда повърхност.
- Повърхността на земята трябва да бъде равна. Изграждането на игровия комплекс на склон може да доведе до наклоняване на конструкцията или създаване на допълнителни напрежения. Наклоняването създава допълнително вътрешно напрежение във всички свързващи елементи и съединения и предизвиква тяхното разхлабване и изпадане.
- Предпазната зона е ивица с ширина 200 см, разположена по периметъра на игралния комплекс. Падането върху твърда повърхност може да доведе до сериозни увреждания. Покрийте с грундова настилка и предпазната зона. По-надолу се посочват препоръчвани грундови настилки.

### Препоръчан материал

	дълбочина на мекия слой
Двойно смлени трици от дървесна кора	50 см
Дървесни стъргодини	50 см
Ситен чакъл	50 см
Дребнозърнест пясък	50 см
Трева	

- С цел осигуряване безопасността за игра съоръжения от рода на огради, гараж, сграда, надвиснали клони, въжета за пране, електрически линии и други препятствия не трябва да се намират в предпазната зона.
- През игровия комплекс да не минават пътеки или проходи.
- Всякакви бордюри за задържане на настилка трябва да се поставят извън предпазната зона (декоративни дървени огради и други заграждения).

### безопасно сглобяване

- Децата да не се допускат на работната площадка, докато от предпазната зона не се премахнат препятствията, комплексът не е сглобен напълно, не са затегнати и проверени всички крепежни елементи и не се приберат всички инструменти и други приспособления, които не се отнасят към детската площадка.
- При изграждане на детския комплекс са необходими поне двама възрастни, които да вдигат и държат гредите, рамите и други тежки монтажни елементи, докато те не са закрепени с болтове и винтове.
- Проверете всички детайли и слобки една по една, без да бързате. Проверете ги по спецификацията.
- При рязане, пробиване на отверстията, шлайфане, боядисване и сглобяване на комплекса трябва да се използва защитно облекло и предпазна екипировка (например, защитни очила, маска за защита от прах и ръкавици), особено при работа с пресован дървен материал. Спазвайте указанията за техника на безопасност на производителя при използване на инструментите и екипировката.
- Не се качвайте на платформата преди комплектът да е сглобен изцяло. При необходимост използвайте подвижна стълба.
- Здраво закрепете съоръжението, за да не се изкриви или падне. Ако по-чвата е твърде рохкава и стойките лесно излизат, да се циментират
- Трябва да сте сигурни, че стойките са добре закрепени в грунда, тъй като децата ще скачат върху тях.
- След завършване на сглобяването, проверете дали всички стърчащи краища на болтовете и другите крепежни елементи са изрязани с трион. Изгладете всички остри ръбове със ситна пила.
- За премахване на дървени трески, шлайфайте дървото със шкурка. Освен това, със шкурка или пила закръглете с радиус 3 мм всички ъгли.
- Не закачайте допълнителни спортни уреди към катерушката, като например, въжета, вериги, дебели въжета и други.
- Не правете съчетание от изделията на други производители с продукцията на Jungle Gym® - това ще наруши безопасността на съоръжението.
- Използвайте куки за лолки марка Jungle Gym® само в съчетание

с крепежните елементи Rope Locks™ . Не използвайте крепежните елементи Rope Locks™ за други цели, такива като пързалки или обтегачи.

- Винтът на Swing Hook LS трябва да бъде затегнат в дървото докрай и плътно притегнат към напречната греда. Важно е куката Swing Hook да бъде центрирана в правилно положение. Ако е поставената неправилно или не е центрирана, тя може да се счупи или да се извади и да предизвика нараняване!
- Уредите за люлеене (например, седалката на люлката) трябва да бъдат на височина поне 35 см от земята.
- Разстоянието между уредите и рамата трябва да бъде най-малко 30 см.
- Разстоянието между куките Swing Hooks трябва да бъде 45 см.
- Разстоянието между куките Swing Hooks трябва да бъде 45 см.
- Въжето за катерене и въжената стълба трябва здраво да се закрепят отгоре и отдолу, тъй като свободно висящото въже може да се усуче и да изплаши детето.

## ПРОВЕРКА И ПОДДРЪЖКА

За да се осигури безопасност на катерушката, съоръжението трябва да се проверява по реда, указан по-долу, в началото на всеки сезон и след това два пъти месечно, през времето, когато обикновено се използва. Ако проверките при поддръжка не се извършват редовно, съоръжението за игра може да прекарути или по друг начин да се превърне в опасност.

### Дървените компоненти

Проверявайте за трески и други възможни нарушения на структурата на материала. За предпазване на дървото от плесеняване поддръжката съоръжението, като периодично го покривате със защитно покритие за външно боядисване на дърво. Не използвайте боя, която може да предизвика подплъзване.

### Крепежи

Проверявайте всички затегнати крепежни елементи. Внимание! презатегнатите крепежни елементи разрушават дървесните влакна, предизвиквайки разслояването му. Проверявайте всички останали крепежни елементи - скоби и куки за лолки също така и за ръжда, която може да повлияе върху здравината им. При необходимост ги заменяйте. Проверявайте сигурността на закрепване на стойките в грунда, за да сте сигурни, че те са здрави. При необходимост ги преместете или ги заменете.

### Принадлежности (ако има)

- Проверявайте крепежите Rope Locks™ за правилно закрепване в куките за люлките на Jungle Gym®. За проверката на Rope Locks HC трябва за няколко секунди да увинтите поотделно на всяко въже за люлките с цялото си тегло. Крепежите Rope Locks SC се проверяват, като за няколко секунди се отпуснете върху уред с цялата си тежест. При необходимост ги заменяйте. Ако има скърцане, Rope Locks HC трябва да се навлажни с вода или да се намаже с растително масло, например с олио.
- Проверете дали седалките на люлката и решетките не са счупени, а също така проверете въжетата за люлеене за протриване и орфване. За здравината на въжето може да се съди, като в местата на протриването сплитите на въжето се разтворят и внимателно се огледат за орфване и скъсване. Проверете здравината на колана на бебешката люлка. При необходимост го заменете.
- Проверете закрепването на жлеба върху подложката за пукнатини, където могат да се закачат, например, качулки на якета и да предизвикат омотаването.
- Всички принадлежности се почистват с топла вода и мек прах за пране. Твърде замърсените жлебове се почистват с очистиел под високо налягане (внимавайте да не повредите повърхностите на жлебовете и дървото).

### предпазна зона

- Проверете дали амортизиращата повърхност не е прекалено стегната, при необходимост я направете по-рохкава. Заравнете всички ями, например, под люлките-седалки.
- Проверете стабилността на игровото съоръжение.
- Проверете за предмети и съоръжения от рода на нависнали клони, въжета за пране или отпадъчни материали, които представляват непосредствени заплахи.

### Грижи за безопасни условия

Излезлите от употреба дървени части на катерушката никога да не се изгарят. Изхвърлете всички ненужни метални части така, че да не създават опасност. Да не се изгаря байцван или боядисан пресован материал на мястото, за да не се замърси детската площадка. Изхвърлете го на общинското сметище.

## БЕЗОПАСНА ИГРА

### Внимание!

- Децата на каквато и да е било възраст трябва през цялото време да играят под надзора на възрастнен.
- Обучавайте децата на безопасна игра.
- Обличайте децата по подходящ начин. Избягвайте аксесоари, облекло с връзки, широки облекла и връзки на шията, които могат да се закачат за уредите. Освен това, да се свалят велосипедните каски преди игра на детската площадка.
- Последното, но не по важност: разчитайте на здравия разум, за да избегнете опасни ситуации.
- Изделията Jungle Gym® са предназначени за деца на възраст от 3 до 10 години, ако няма други указания.

### безопасна игра (рис. 1)

1. Съоръжението не трябва да се използва при влажни атмосферни условия, поради опасност от подхлъзване, а също така при залеждане, когато дори и най-меката настилка може да се превърне в много твърда повърхност. Уредите трябва да се свалят и да се съхраняват в помещението при температура под 0° C (32° F).
2. Използването на детската площадка или уредите не по назначе-

ние може да доведе до повреди и дори травми. Не свивайте и не завивайте люлките, веригите, въжетата и другите уреди. Свиване намалява здравината на уреда и може да задържи влага.

### 3. Не позволявайте на децата да:

- подкачат на люлките по време на движение
- люлеят празни седалки или други празни уреди
- се люлеят под въгл
- увисват с главата надолу върху някаква част на катерушката
- хващат или да спират друго дете, намиращо се върху движещ се уред
- се разождат наблизо отпред, между или отзад на движещи се уреди
- 4. Следете децата да седят в средата на люлките, като се отпускат с цялото си тегло върху седалките. Не допускате повече от едно дете да сяда на седалка Стандартната кула: най-много 3 деца с максимално тегло 50 кг всеки могат да играят на съоръжението. Стандартната кула, комбинирана с люлка: най-много 5 деца с максимално тегло 50 кг всеки могат да играят на съоръжението.
- 5. Децата де не се катерят и де не увисват на рамите. Падането може да предизвика сериозни увреждания.
- 6. На детската площадка да няма съоръжения и пречки.
- 7. Всички отворени площи и подиуми увеличават риска от нещастни случаи. Рискът може да бъде значително намален с помощта на допълнителни приспособления от рода на дръжки, парапети и заграждения.
- 8. Не позволявайте на децата да се спускат по пързалката по друг начин, освен в седнало положение. Пързалката да не попада под преки слънчеви лъчи от южната страна. Всички компоненти могат да се нагреят при пряка слънчева светлина. Проверете дали катерушката не е нагорещена преди децата да играят върху нея. При необходимост охладете катерушката с вода и я подсушете преди тя да бъде използвана.

### Необходими инструменти (рис. 2)

1. Рулетка, 2. Молвив, 3. Ножовка, 4. Пила за метал и дърво
5. Електрическа бормашина, 6. Чук 7. водомер

### Стандартни болтове съединения (рис. 3)

- Пробийте отверстие Ø 10 мм в детайла, който ще се закрепва.
- С помощта на чук набийте тялото на заварената гайка в отверстията. Изпъкналата част на гайката трябва да се скрие в дървото.
- Поставете стопорната шайба върху болта и след това – плоската шайба и болта. Ръчно притегнете болта към заварената гайка преди да притегнете всички болтове, използвайки 13-милиметров патрон на бормашината, докато пружината на стопорната шайба не бъде напълно притисната между главичката на болта и плоската шайба. Поставете защитната калачка върху болта.
- Ако болтът се окаже твърде къс, съветваме ви с 22-милиметров буртия да разширите отверстията отгоре на 15 мм или повече в дълбочина в най-дебелия дървен детайл така, че болтът да мине през сглобката. Обработете отверстието с байц. Понеже главата на болта сега не се показва, няма нужда от защитната калачка.
- Ако болтът е твърде дълъг, е необходимо стърчащия край да се изреже с ножовка. Загладете всички остри краища с пила.

### Направляващо отверстие (рис. 4а+4б)

За да не се разцепи дървото, препоръчва се да се пробият направляващи отверстия за всички винтове. Направляващите отверстия трябва да бъдат с 10 мм по-къси от дължината на винтовете.

### Винтове за дърво (рис. 4а+4б)

- Пробийте направляващи отверстия Ø 3 мм за винтовете.
- Много е важно главите на всички винтове да са изрязани с повърхността на дървото и да няма никакви остри краища.

### XL Stealth™ Винтове с квадратни глави (рис. 4б)

- За винта с квадратна глава първо се пробива отверстие Ø 5 мм през двата детайла, за да се затегне.
- Поставете плоската шайба и винта. Поставете винта в отверстието и с помощта на 40-милиметров патрон на електрическата бормашина го затегнете. Поставете защитната калачка върху винта.

Внимание! Не затягайте прекалено болтовете и винтовете!

Когато се използва твърда дървесина, е необходимо да се пробие помощна дупка с по-голям диаметър, в зависимост от плътността на дървесината.

040\_805\_GSI\_bu\_0300\_20120911\_PLA



## BEZPECNOSTNI INSTRUKCE

Gratulujeme k zakoupení této Jungle Gym® stavebnice systému „Do It Yourself“. Se stavebnicí Jungle Gym® budete schopni během chvíle postavit bezpečné dětské hřiště.

Jungle Gym® obsahuje speciálně vyvinuté součásti. Tento materiál je navrhován s důrazem na bezpečnost Vašich dětí. Součásti nemají žádné ostré hrany nebo vycínající části; vše je chráněno proti povetnostním vlivům. Všechny části obsažené v této stavebnici korespondují s EN 71-1, -2, -3, -8 & -9 (Evropský bezpečnostní standard) pro privátní použití, s předpokladem, že vybavení tohoto dětského hřiště je montováno a využíváno v souladu s navodem. Dodržte tyto plány a neměte design.

Varování. Jen pro domácí použití. Pouze pro venkovní použití. Maximální hmotnost uživatele je 50 kg. Nevhodné pro děti do tří let. Vhodné pro děti ve věku od tří do deseti let.

Tento produkt je určen pouze pro privátní použití. Instalace na veřejná prostranství je považována za zneužití tohoto produktu.

Pečlivě prostudujte tento návod ještě před tím, než začnete s montáží a návod posleze uschovejte k případnému opetovnému použití.

## BEZPECNOSTNI INSTRUKCE

### Dřevo

- Upravte všechny rezane povrchy a celá přirezu venkovním nátěrem s odolností proti hnilobě, rovněž může být použito tlakově impregnované dřevo.
- Venujte zvláštní pozornost částem, které budou v kontaktu se zemí.
- Ošetřete rovněž všechny otvory pro splhací lano, provazový zebrík apod. venkovní moridlem.

### Bezpečná hrací plocha

- Umístěte dětské hřiště na nezapevněné stabilní povrch, jako je tráva nebo pevná vrstva písku. Neinstalujte soupravu na beton, sádku, asfalt nebo jiné tvrdé povrchy.
- Povrch země pod sestavou musí být v rovíně. Postavení sestavy na sádku plochu může způsobit kolaps celé konstrukce, jelikož naklon plochy vytváří dodatečné napětí ve spojích, které mohou po čase selhat.
- Instalujte herní sestavu ne blíže než 2,00 m od jakékoli další konstrukce či překážky, jako jsou ploty, garáže, domy, vycínající větve, pradelní snury, nebo dráty el. napětí. Pad na tvrdý povrch by mohl způsobit vážné poranění. Nasledující je výpis vhodných povrchových materiálů

### Navržený materiál

2x rezaná mulcovací kura  
dřevěné odřezky stejného tvaru  
jemný sádek  
jemný písek  
tráva

### Návyřená výška

50 cm  
50 cm  
50 cm  
50 cm

- Neumísťujte Vás herní prvek v blízkosti komunikace.
- Ohranění herního prostoru (prázce, krajiny dřeva apod.) musí být az za bezpečnostní zónou herního prvku.

## BEZPEČNÁ INSTALACE

- Dbejte na to, aby se během montáže v prostoru nezdržovaly žádné děti dokud není zařízení kompletně smontováno, není vyzkoušena bezpečnost a stabilita a pracovní místo není uklizeno.
- Zařízení má být montováno dvěma dospělými osobami, které musí teže dily přidržovat ke sroubování.
- Zkontrolujte všechny díly, roztrďte je a přesveďte se, že žádné nechybí.
- Použijte nalezíte oblečení ochranné pomůcky (bezpečnostní brýle, prachovou masku, rukavice)
- Při použití naradí respektujte bezpečnostní pokyny výrobce
- Nevstupujte na zařízení, dokud není kompletně postaveno. Použijte zebrík.
- Abyste minimalizovali naklání a posouvání hrací veže, musí být veze připravena zamínnými kotvami do pudy. Pokud není puda dostatečně pevná, zabetonujte zemní kotvy. Dbejte, aby kotvy byly plně uchyceny v zemi. Jinak může dojít ke zranění dětí.
- Po ukončení montáže odstraňte pilou na zezezo všechny vycínající části sroubu a dalších spojovacích prostředků. Ostré hrany odstraňte pilníkem.
- k zamezení možnosti vzniku trisek zabruste všechny hrany a rohy smirkovým papírem 80 na polomer 3mm.
- Nemontujte k zarizeni zadne dalsi prvky, napr. site, retezky, tezke dily a pod.
- Nekombinujte Vas Jungle Gym® s výrobky jiných firem
- Provazové zámky RopeLocks používejte pouze v kombinaci s houpacovými haky. Nepoužívejte RopeLocks pro jiné účely, napr. pro horolezecký sport nebo ke zvedání zavazí.
- Zavítí Swing Hook LS musí být plně zasroubovány do dřeva a díly musí k sobě těsně dolehat. Je důležité, aby Swing Hook byly správně použity, jinak se mohou zlomit nebo způsobit nebezpečí úrazu.
- Odstup mezi houpacím elementem (napr. houpacím sedákem) a zemí musí být minimálně 35 cm.
- Vzdálenost mezi hracím elementem a ramem musí být 45 cm.
- Odstup mezi jednotlivými houpacími elementy musí být 45 cm.
- Splhací lana a provazové zebríky musí být neustále nahore a dole upevněny, jinak se může volný konec zakroutit a díte se může zamotat a zadusit brik.

## KONTROLA A UDRŽBA

K zajištění bezpečnosti uživatele herního zařízení je nutné provádět subjektivní kontroly zmíněné níže jednou na začátku sezóny a dále dvakrát měsíčně v průběhu sezóny, kdy je zařízení v provozu. U dřevěných komponentů zkontrolujte tvorbu trisek a další strukturální defekty. Pokud by nebyly prováděny pravidelné kontroly a údržba, zařízení se může převrátit nebo se jinak stát nebezpečným.

### Dřevěné části

- Udržujte herní set exteriérovým morením jako prevencí proti hnilobě.
- Nepoužívejte barevné laky, vzniká tak kluzký povrch.

### Hardware

- Zkontrolujte, zda jsou všechny části utažené. Upozornění: pretazění

sroubu způsobuje vytlačení vláken dřeva, což má za následek praskliny.

- Zkontrolujte zbyte části, kování a houpacové haky, jestli nepodlehají korozi, která by měla za následek snížení pevnosti prvku. Vyměňte je, je-li to nezbytné.
- Zkontrolujte kotvící prvky.

### Vybavení (je-li přiloženo)

- Zkontrolujte provazové zámky RopeLocks™ jestli jsou správně instalovány k houpacovému háku. Kontrolu provazových zámku proveďte zavěšením celé Vasi váhy na jednotlivé houpacové háky na několik vteřin. Provazový zámek může být zkontrolován sezením na houpacovém sedátku celou Vasi váhou na několik vteřin. Jestliže provazový zámek vydává skřipavý zvuk, můžete jej navlícnít nebo použít stolní olej.
- Zkontrolujte houpacová sedátka, zda-li jsou neposkozena a zkontrolujte houpacové provazy, zda-li nejsou prodřené, případně nevzniká-li vada materiálu. Správného usudku docílíte rozmotáním části lana, kde je to možné a dkladně prohlédnete, které vlákno je poskoženo. Lano v případě nutnosti vyměňte.
- Zkontrolujte spoj skluzavky k podestě hrací veže, jestli nevzniká mezera, do které by se mohlo Vase díte zachytit.
- Všechny díly by měly být očištěny horkou vodou a jemným čisticím prostředkem. Silně zaspínená skluzavka může být vycistěna vysokotlakým mytím. Buďte opatrní, aby jste neposkočili povrch skluzavky.

### Bezpečná hrací plocha

- Zkontrolujte, zda povrch dopadové zóny není příliš upechován. Vypněte díry, například pod houpacími.
- Zkontrolujte stabilitu prvku
- Zkontrolujte okolí, aby se nevyskytovaly vycínající předměty, snura na pradlo, volně ležící předměty.

### Ochrana životního prostředí

Dřevěné části soupravy by neměly být při odstraňování zpaleny. Není dovoleno palit tlakově morené nebo natřené dřevo z důvodu vzniku škodlivin. Odveďte vše na místní skládku odpadu.

## BEZPEČNÁ HRA

### Upozornění:

- Dospělá osoba musí mít pod dohledem všechny děti hrající si na tomto hřišti po celou dobu.
- Učte děti si bezpečně hrát.
- Oblekejte děti primerěně. Vyvarujte se oblečení se šnurkami a s povolenými cvocky, které mohou způsobit zachycení na herním setu.
- Poslední, ale ne méně důležitá rada: využijte přirozeného citu k vyvarování možnosti vzniku nebezpečí
- Produkty Jungle Gym® jsou konstruovány pro děti ve věku od 3 do 10 let, pokud není označeno jinak.

### Bezpečná hra (1)

- Vybavení dětského hřiště nemůže být využíváno za vlhkého počasí, jelikož povrch se v takovém případě stává kluzkým a i ten nejmenší povrch se může stát velmi tvrdým. Herní prvky by měly být odstraněny z venkovního prostředí, když teplota dosáhne 0° C.
- Nesprávné používání zařízení může vézt k poškození herního setu, či dokonce ke zranění. Nesmotavějte ani nesbalujte provazy, reťezy ani žádné jiné další vybavení. Zabalení snižuje pevnost vybavení a může dojít ke zranění.
- Upozornete děti, aby:
  - neseskakovali z houpácky, když je v pohybu
  - nespouštěli prázdnou houpáčku proti jinému vybavení
  - nehoupali se v úhlu
  - neveseli se vzhůru nohama ze zadního z prvku
  - nerozpohybovali ani nezastavovali jiné děti na pohybujících se zařízeních
  - nechodili v těsné blízkosti pohybujících se zařízení
- Upozornete děti, aby sedeli uprostřed houpacového sedátka celou svou váhou. Je dovoleno sezení pouze jednoho dítěte na jednom houpacovém sedátku. Standardní hrací veže: je dovoleno současně hrani maximálně 3 děti s maximální vahou 50 kg každého z nich.
- Splhání a houpaní na pevných dílech by nemelo být dopušteno. Z padu by mohla vznikat vážná zranění.
- Herní prostor musí být zbaven všech pevných předmětů a konstrukcí.
- Každá otevřená plocha na zvýšené podestě je rizikem nestěti. Tato rizika mohou být významně snížena umístěním bezpečnostních madel, bariér a zadržadlí.
- Nedovolujte dětem, aby se spouštěli po skluzavce jinak než v sezení. Vyvarujte se umístění skluzavky na jižní stranu. Všechny komponenty se mohou rozpáít, pokud jsou vystaveny přímému slunečnímu záření. Ujistěte se, že zařízení není horke, než si děti začnou hrát. Je-li to nutné, zařízení může být ochlázeno vodou, je ale nutné soustavu osušit, než si děti začnou hrát.

### Naradí potřebné ke stavbě (2)

- svinovací metr, 2 tuzka, 3 ramová pila, 4 pilník na dřevo, na kov
- elektrická vrtačka, 6 kladivo, 7 nivelír

### Standardní spoj (3) (p33)

- Umístete svorníkovou podložku přes dřík sroubu, následuje plocha podložka a krytka. Když sroub utáhnete, svorníková matka se stlačí mezi hlavou sroubu a plochou matku.
- Prostřete sroub skrz. Narazecí hlavu narazte z druhé strany kladivem do připravené díry. Vycínající části narazene matky by měly být ve dřevě. Použijte 13 mm zastrokový klíč pro Vasi vrtačku a utáhnete sroub tak, aby byla svorníková matka úplně stlačena mezi hlavou sroubu a plochou matku.
- Jestliže se sroub jeví příliš krátký, radíme Vám, aby jste vrchní část díry prohloubili vrtačkou o průměru 22 mm, tak bude sroub zapuštěn. Vzniklou díru ošetřete morením. Jelikož vam nyní hlava sroubu klesla, není třeba používat plastovou krytku.
- Jestliže se sroub zda být naopak moc dlouhý, je nutné precizující část urznout pilou na zezezo. Ostré hrany pak odstraňte pilníkem.

### Pilotní díry (4a+4b)

Jelikož chceme ochránit dřevo před praskáním, doporučujeme vam

předvrtat vodičí díry pro všechny srouby. Vodičí díry by měly být o 10 mm kratší než je délka sroubu.

### Srouby do dřeva (4a)

- Vyvrtejte vodičí díru o průměru 3 mm.
- Je velmi důležité se ujistit, že hlava sroubu splývá s povrchem dřeva a nevzniká proto žádná ostrá hrana.

### XL Stealth™ srouby s sestíhannou hlavouobrázek (4b)

- Pro srouby se XL Stealth™ sestíhannou hlavou vyvrtejte nejprve díru o průměru 5mm v obou dílech, které mají být spojeny.
- Umístete distanční kroužek a spodní část ochranné cepicky na tělo sroubu. Zastrčte sroub do díry a pevně utáhnete nastřným klíčem T40 bit za pomoci vrtačky. Uzavřete víčkem.

CS

Pozor: Srouby a matky nepretahujte!

Při použití tvrdého dřeva je nutné vrtat díry většího průměru podle tvrdosti dřeva.

040\_805\_GSL\_CS\_0300\_20120911\_r1A

# SIKKERHEDSINSTRUKTIONER

Tillykke med dit nye Jungle Gym® -samlesæt. Med Jungle Gym®-samlesættet kan du på kort tid bygge en sikker legeplads til glæde for børnene i mange år fremover.

Jungle Gym®-samlesættet omfatter specielt udviklede dele, som er designet med stor vægt på børnenes sikkerhed. Delene har ingen skarpe hjørner eller fremstående dele og er endvidere modstandsdygtige over for al slags vejr. Udstyret er godkendt efter EU-standarder for legepladser til privat brug, EN 71-1,-2,-3,-8 & -9, forudsat at legepladsen samles og anvendes i overensstemmelse med denne vejledning. Følg derfor nøje vejledningen, og ændr ikke på designet.

**da** Advarsel. Kun til privat brug. Kun til udendørs brug. Maksimum brugervægt er 50 Kg. Ikke egnet til børn under 3 år. Velegnet til børn fra 3 til 10 år.

Produktet er udelukkende beregnet til brug ved enfamiliehuse i villakvarterer. Hvis legepladsen bygges på offentlige arealer, er der helt klart tale om misbrug af produktet.

Læs byggevejledningen nøje, inden du påbegynder arbejdet.

## SIKKERHEDSFORSKRIFTER

### Træ

- Behandl alle savede overflader og ender med et træbeskyttelsesmiddel beregnet til udendørs brug, så træet ikke rådner. Trykimpregneret træ skal også påføres et træbeskyttelsesmiddel.
- Vær især opmærksom på de dele, som har kontakt med jorden.
- Behandl også alle undersønkede huller og hullerne til rebstigen eller klatrerbet med et træbeskyttelsesmiddel.

### Sikkerhedszone

- Placer legesæt på en ikke asfalteret stabil underlag, såsom græs eller et fast lag af sand. Anbring ikke legepladsen på asfalt, grus, beton eller andre hårde underlag.
- Jordoverfladen skal være plan. Hvis legepladsen opstilles på hældende grund, er der risiko for, at den begynder at hælde eller "trække sig skævt". Hvis legepladsen begynder at hælde, belastes alle forbindelser og sammenføjninger yderligere, og med tiden vil disse løsne sig og svigte.
- Sikkerhedszonen strækker sig 200 cm ud fra legepladsen til alle sider. Fald på sådanne underlag kan føre til person skade. Anbring om nødvendigt et absorberende underlag af løst materiale, f.eks.:

træflis	50 cm
fint grus	50 cm
groft sand	50 cm
træspåner	50 cm
græs	

- I sikkerhedszonen må der ikke forefindes nogen former for konstruktioner, hegn, garager, huse, overhængende grene, tørresnøre, elledninger eller andre genstande, der kan ned-sætte sikkerheden.
- Opstil legepladsen, så den ikke står i vejen for stier eller gennemgange.
- Gem byggevejledningen til senere brug.

### Safe installation

- Børn bør ikke opholde sig i arbejdsområdet, før sikkerhedszonen er ryddet for alle forhindringer, legepladsen er færdigbygget, alle skruer m.v. er strammet og kontrolleret, og alle redskaber og øvrige genstande, der ikke hører hjemme på legeområdet, er samlet op.
- Det kræver mindst to personer at bygge legepladsen, da der skal holdes og løftes under selve opbygningen.
- Kontrollér alle delene, og grupper dem, så de ligger inden for rækkevidde. Sammenlign delene i kassen med de dele, der er anvist i vejledningen, og kontrollér, at disse stemmer overens.
- Benyt passende tøj samt sikkerhedsudstyr (f.eks. sikkerhedsbriller, støvmaske og handsker), når De saver, borer eller bygger.
- Følg denne sikkerhedsanvisning angående anvendt værktøj og tilbehør.
- Undlad at stå på platformen, før legepladsen er færdigbygget. Brug en stige, hvis der er for højt op.
- Legepladsen fastgøres i jorden med jordankre for at undgå, at den vægter eller forskydes. Hvis jorden ikke er stærk nok, skal jordankrene støbes i beton. Sørg for, at jordankrene ikke stikker op, så man kan falde over dem.
- Når legepladsen er bygget, fjernes eventuelle fremstående dele, såsom bolte og andre beslag, med en metalsav. Afrund alle skarpe kanter med en metalfil.
- For at undgå splinter slibes træet med sandpapir. Alle hjørner og kanter afrundes med sandpapir eller en fil.
- Der må ikke monteres ekstra tilbehør på legepladsen såsom reb og kæder.
- Jungle Gym® må ikke kombineres med produkter fra andre producenter, da det nedsætter sikkerheden.
- Anvend kun RopeLocks™ sammen med gyngekroge fra Jungle Gym®. RopeLocks™ må ikke anvendes til andre formål såsom bjergbestigning, hejsning eller støbning.
- Gevindtet på LS-gyngekroge skal skrues helt ind i træet, så den strammes op mod tværbjælken. Det er vigtigt at justere gyngekroge, så den sidder korrekt. En forkert monteret eller justeret gyngekrog kan knække eller arbejde sig ud af træet og dermed forårsage skade!
- Afstanden mellem gynger (f.eks. sædet) og jorden skal være mindst 35 cm.
- Den indbyrdes afstand mellem gyngerne og stativet skal mindst være 30 cm.
- Afstanden mellem gyngekroge bør være 45 cm
- Afstanden mellem gynger o.lign. bør være 45 cm.
- Klatretov og rebstiger skal altid fastgøres både foroven og forneden. I modsat fald skal den frie ende knyttes til et galgetov.

## KONTROL OG VEDLIGEHOLDELSE

Af sikkerhedshensyn skal legepladsen kontrolleres ved ibrugtagning og derefter to gange om måneden i sæsonen. Kontrollen skal omfatte nedenstående punkter. Hvis der ikke foretages vedligeholdelseskontrol med jævne mellemrum, kan dette aktivitetslegetøj tippe eller på anden måde udgøre en fare for omgivelserne.

### Vigtige trækompnenter

- Undersøg legepladsen for splinter og eventuelle fejl i konstruktionen.

- For at beskytte træværket og undgå revner og råd som følge af fugt anbefales det, at der jævnligt vedligeholdes med træbeskyttelse. Dette gælder også impregneret træ. Det er kundens ansvar at vedligeholde træværket. Anvend ikke maling eller anden behandling, der kan gøre overfladen glat.

### Beslag

- Kontrollér, at alle skruer og møtrikker er spændt tilstrækkeligt. Vær opmærksom på, at strukturen i træet ikke ødelægges. Overspændte møtrikker og beslag kan forårsage ødelæggelser i træet.
- Kontrollér de øvrige beslag samt bøjler og gyngekroge for rust, som kan nedbryde materialet. Hvis De er i tvivl, skal beslagene udskiftes.
- Kontroller, at jordankrene er sikrede. Juster eller udskift dem efter behov.

### Tilbehør

- Kontrollér, at rebbeslagene (RopeLocks™) til gyngen er monteret korrekt. RopeLocks HC efterprøves ved at hænge i hvert enkelt tov i nogle sekunder. RopeLocks SC kontrolleres ved at belaste dem med din fulde vægt i nogle sekunder. Udskift efter behov. Hvis rebbeslagene (RopeLocks HC) piber, kan de fugtes med vand eller vegetabilsk olie, såsom olivenolie.
- Kontrollér, at sæderne på gyngen og trapezringen er intakte. Undersøg, om rebet er nedslidt, eller om der er opstået ek-strem fiberdannelse som følge af vridding af gyngeme, ved at åbne tovet på slidtagedstedet, så fibrene kan kontrolleres for brud. Udskift rebet, hvis du er i tvivl.
- Kontrollér fastgørelsen af glidebanen til platformen for revner, hvor f.eks. snore til hætter kan sætte sig fast, og i værste fald medføre kvælning.
- Tilbehøret rengøres med et mildt rengøringsmiddel. Hvis rutschebanen er meget snavset, kan den rengøres med en højtryksrenser. Pas på, at rutschebanens overflade ikke beskadiges.

### Sikkerhedszone

- Kontrollér jævnligt underlagets absorberende virkning.
- Kontrollér legepladsens stabilitet.
- Kontrollér de nærmeste omgivelser for faremomenter, f.eks. overhængende grene, tørresnøre og løstliggende materialer.

### Miljøbeskyttelse

Hvis legepladsen kasseres, fjernes alle metaldele og træet deponeres på den lokale forbrændingsanstalt. Af hensyn til miljøet må du ikke selv afbrænde de impregnerede dele.

## LEG SIKKERT

### Vær opmærksom på følgende:

- Der bør altid være en voksen i nærheden, når børnene leger – uanset deres alder.
- Lær børnene at lege sikkert på legepladsen.
- Jungle Gym® er produceret til børn i alderen 3 til 10 år, med mindre andet er angivet.
- Børnenes påklædning bør være egnet til udendørs leg. Undgå løst-hængende tøj og tilbehør med snore, som kan hænge fast i legeredskabet.
- Sidst, men ikke mindst: Brug fornuften, og vær opmærksom på farlige situationer.

### Leg sikkert (ill. 1)

- Legepladsen bør ikke anvendes i vådt vejr og i frostvejr, da overfladen kan være glat. Selv den blødeste sne kan blive til hård is. Tilbehøret bør opbevares indendørs, når temperaturen falder til under 0° C.
- Anvendelse af legeplads og tilbehør udover det anbefalede kan forårsage ting- eller personskaade. Gynger, kæder, reb og andet tilbehør må ikke vrides eller vikles, da dette reducerer tilbehørets styrke og levetid og kan medføre, at børnene sidder fast.
- Advar børnene om ikke at hoppe af gyngen under bevægelse; svinge en tom gyng eller andet tilbehør; gyng på tværs; hænge på hovedet på dele af legepladsen; stoppe eller hive i et andet barn, som er i bevægelse; gå for tæt på, foran, imellem eller bag ved legetøj i bevægelse.
- Børnene bør sidde midt på gyngen med deres fulde vægt på sædet. Der må ikke være flere børn på legepladsen, end den er beregnet til. På et almindeligt klatretårn må der højst lege tre børn samtidig på maks. 50 kg hver. På et klatretårn kombineret med en gyng må der højst lege fem børn samtidig på 50 kg hver.
- At klatre eller hænge på klatrestativet kan forårsage alvorlige skader ved fald.
- Legeområdet skal holdes fri for alle genstande og forhindringer.
- En åben platform øger risikoen for ulykker. Risikoen reduceres ved at montere sikkerhedsudstyr som f.eks. håndtag, sikkerhedstrømmer og afskærmning.
- Rutschebanen må kun anvendes i siddende stilling. Tilbehøret kan blive varmt, når det påvirkes af direkte sollys. Sørg derfor altid for, at tilbehøret ikke er for varmt, inden børnene begynder at lege, f.eks. ved at nedkøle det med koldt vand og derefter tørre det.

### Anbefalet værktøj til opbygning (ill. 02)

- Målebånd, 2. Blyant, 3. Håndsav, 4. Træ- og metalfil, 5. Boremaskine, 6. Hammer, 7. Vatterpas

### Standardboltsamling (ill. 3)

- Bør et ø10 mm hul ø i de dele, der skal samles.
- Slå en svejsemøtrik ned i hullet med en hammer. Den frem-springende krave på svejsemøtrikken skal være helt nede i træet.
- Anbring først låseskiven og derefter den flade skive og den nederste del af beskyttelseshætten på bolt. Skru indledningsvis bolt i med hånden, så den sidder fast i svejsemøtrikken. Stram derefter hver enkelt bolt ved hjælp af en elektrisk boremaskine og en 13 mm bit, indtil låseskivens fjed-ervirkning er helt neutraliseret mellem bolthovedet og den flade skive. Sæt den øverste del af beskyttelseshætten på skruen.
- Hvis bolten er for kort, anbefales det at undersøge den øverste del af hullet i den tykkeste del af træet ved hjælp af et Ø22 mm bor til en dybde af 15 mm eller mere, så bolten er forsynet efter montage. Behandl hullet med bejdse. Da bolthovedet nu er forsynet, er det ikke nødvendigt at sætte beskyttelseshætten på bolt.
- If the bolt appears too long, it is necessary to remove the protruding end by cutting it off using a metal saw. If any sharp edges appear, use a file.

- Hvis bolten er for lang, skal det fremspringende stykke fjernes ved hjælp af en metalsav. Fil eventuelle skarpe kanter.

### Pilothuller (ill. 4a+4b)

For at forhindre træet i at flække anbefales det at bore pilothuller til alle skruer. Pilothullerne bør være 10 mm kortere end skrueens længde.

### Træsruer (ill. 4a)

- Bør ø3 mm pilothuller til træskruerne.
- Det er meget vigtigt at sørge for, at alle skruvehovederne er i niveau med træet, og at der ikke er nogen fremtrædende skarpe kanter.

### XL Stealth™ franske skruer (ill. 4b)

- For at isætte en XL Stealth™ fransk skruer skal der først bores et ø5 mm hul gennem begge de dele, der skal samles.
- Anbring den flade skive og den nederste del af beskyttelse shætten på skruen. Anbring skruen i hullet, og stram den med en elektrisk boremaskine med en T40 bit. Sæt den øverste del af beskyttelseshætten på skruen.

Forsigtig! Undlad at overstramme bolte og skruer!

Når man anvender hårdt-træ, kan det være nødvendigt at forbore med en større diameter, afhængig af træets densitet (massefylde).

040\_805\_GSI\_da\_0300\_20120911\_n1A

## ΥΠΟΔΕΪΞΕΙΣ ΑΣΦΑΛΕΙΑΣ

Συγχαρητήρια για την αγορά του πακέτου συναρμολόγησης "Φτιάξτε τον Μόνος Σου" της εταιρίας Jungle Gym®. Αυτό το πακέτο περιέχει όλα τα μέρη και αξεσουάρ που χρειάζονται για να φτιάξετε την δική σας παιδική χαρά.

Το πακέτο Jungle Gym® περιέχει ειδικά σχεδιασμένα εξαρτήματα. Όλο το υλικό σχεδιάστηκε με μεγάλη προσοχή και με την ασφάλεια των παιδιών σας ως προτεραιότητα. Τα εξαρτήματα δεν έχουν κοφτερές γωνίες ή προεξέχοντα μέρη και είναι ιδιαίτερα ανθεκτικό σε κάθε είδους καιρικές συνθήκες. Όλα τα εξαρτήματα που αποτελούν τα πακέτα συναρμολόγησης ανταποκρίνονται στις επίσημες Ευρωπαϊκές Προδιαγραφές Ασφαλείας EN 71-1,-2,-3,-8 & -9 που αφορούν σε ιδιωτική χρήση, με την προϋπόθεση ότι η παιδική χαρά έχει συναρμολογηθεί σύμφωνα με τις οδηγίες που περιέχονται στο ειδικό εγχειρίδιο. Μην προσπαθήσετε να αλλάξετε τον τρόπο συναρμολόγησης ή το σχέδιο με δική σας πρωτοβουλία.

Προειδοποιήσεις. Μόνο για οικιακή χρήση. Μόνο για χρήση σε εξωτερικό χώρο. Μέγιστο βάρος χρήστη 50 Kg. Δεν είναι κατάλληλο για παιδιά κάτω των τριών ετών. Κατάλληλο για παιδιά από 3 έως 10 ετών.

Αυτό το προϊόν προορίζεται για αποκλειστικά ιδιωτική χρήση. Η εγκατάστασή του σε δημόσιο χώρο ή τη δημόσια χρήση αυτού αποτελεί καθαρά κατάχρηση.

Διαβάστε πολύ προσεκτικά τις οδηγίες συναρμολόγησης πριν ξεκινήσετε. Φυλάξτε τις οδηγίες για μελλοντική αναφορά.

## ΟΔΗΓΙΕΣ ΑΣΦΑΛΕΙΑΣ

### Ξυλεία

- Περάστε όλες τις κομμένες επιφάνειες με προστατευτικό βερνίκι κατά του σαπίσματος, ακόμη και αν χρησιμοποιείτε εμποτισμένη ξυλεία.
- Προσέξτε ιδιαίτερα τα μέρη που έρχονται σε επαφή με το έδαφος.
- Περάστε επίσης όλες τις οπές, καθώς και τις τρύπες που ανοίχτηκαν για την ανεμόσκαλα ή το σχοινί αναρρίχησης με το ξερνικό αυτό.

### ΑΣΦΑΛΗΣ ΠΑΙΔΙΚΗ ΧΑΡΑ

#### Προτεινόμενο υλικό

	Πάχος άνευ Συμπίεσης
Διπλά επεξεργασμένοι φλοιός δένδρων	50 κ
Λεπτομεταχυσμένο ξύλο	50 κ
Λεπτό χάλκι	50 κ
Λεπτή άμμος	50 κ
γραιοσί	

- Απλώστε το υλικό επικάλυψης στην περιοχή που θα τοποθετηθεί η παιδική χαρά. Φροντίστε ώστε οποιοδήποτε υποστηρικτικό του υλικού επικάλυψης (διαχωριστικά ξύλινα ρολά ή ξυλοσανίδες) να είναι υπερυψωμένο σε σχέση με την επιφάνεια της παιδικής χαράς.

#### ασφαλή εγκατάσταση

- Τα παιδιά θα πρέπει να βρίσκονται μακριά από την περιοχή που γίνονται οι εργασίες εγκατάστασης της παιδικής χαράς. Λέως ότου αυτή έχει στήσει, όλα τα εξαρτήματα σφικτούν και ελεγχθούν, και αφού απομακρυνθούν όλα τα εργαλεία που χρησιμοποιήθηκαν για τις εργασίες από την περιοχή.
- Όταν εγκαθιστάμε την παιδική χαρά, χρειάζονται τουλάχιστον δύο άτομα να σηκώνουν και να κρατούν τις δοκούς στήριξης, τα πλαίσια ή άλλα βαριά αντικείμενα στη θέση τους πριν αυτά στρωθούν ή βιδωθούν. Η κατασκευή της κούνιας θα σας πάρει 1 ώρα και ενός πύργου γύρω στα 4 ώρες.
- Ελέγξτε όλα τα μέρη και συγκεντρώστε τα έτσι ώστε να τα βλέπετε και να μπορείτε να τα φτάνετε. Συγκρίνατε αυτά με εκείνα της λίστας.
- Φορέστε κατάλληλα ρούχα και ειδικά προστατευτικά (π.χ. γυαλιά προστασίας, μάσκα και γάντια) όταν πριονίζετε, τρυπάτε, τριβete, βάφετε ή συναρμολογείτε την παιδική χαρά, ή όταν δουλεύετε με την επεξεργασμένη ξυλεία.
- Ακολουθείστε τις οδηγίες ασφαλείας του κατασκευαστή για τα εργαλεία που θα χρησιμοποιήσετε.
- Μη στέκεστε στην πλατφόρμα μέχρι η παιδική χαρά να έχει συναρμολογηθεί πλήρως. Για να φτάσετε ψηλά, χρησιμοποιήστε σκάλα.
- Η παιδική χαρά πρέπει να στρωθεί καλά για να μην υπάρχει κίνδυνος αναποδογυρίσματος ή μετακίνησής της. Εάν το έδαφος είναι χαλαρό και οι πάσσαλοι βγαίνουν εύκολα, πρέπει να ριζείτε τοίμινο για να πετύχετε στερεότητα. Βεβαιωθείτε ότι τα στήριγματα εδάφους δεν προεξέχουν ώστε να μην παραπατήσουν τα παιδιά.
- Αφού γίνει η συναρμολόγηση βεβαιωθείτε ότι κόψατε με ένα μεταλλικό πριόνι όλες τις προεξέχουσες άκρες των βιδών. Δουλέψτε κάθε αιχμηρή γωνία με μια μεταλλική λίμα.
- Τριψέτε με γυαλόχαρτο τις σκλήθρες. Επίσης λειάνετε όλες τις γωνίες με γυαλόχαρτο ή με μεταλλική λίμα κατά 3 χιλιοστά.
- Μην προσθέτετε εξαρτήματα που δεν ανήκουν στο πακέτο συναρμολόγησης, όπως παραπάνω σχοινιά, αλυσίδες, βαριά καλώδια ή άλλα αντικείμενα.
- Μην συνδυάζετε προϊόντα άλλων εταιριών με τα JungleGym® γιατί μπορεί να μειωθεί η ασφάλειά τους.
- Χρησιμοποιήστε μόνο RopeLocks™ σε συνδυασμό με τα άγκιστρα κούνιας JungleGym®. Μην χρησιμοποιείτε τα RopeLocks™ για άλλες περιπτώσεις, όπως αναρρίχηση ή τράβηγμα φορτίων.
- Η βιδωτή άκρη του γάντζου Swing Hook LS πρέπει να βιωθεί γέρα μέσα στο ξύλο κάθετα από το δοκάρι. Είναι σημαντικό ο γάντζος Swing Hook να ευθυγραμμιστεί στη σωστή θέση. Σε αντίθετη περίπτωση, υπάρχει κίνδυνος ο γάντζος να σπάσει ή να αποσπαστεί και να προκαλέσει τραυματισμό!
- Η απόσταση μεταξύ των εξαρτημάτων της κούνιας (π.χ. η το κάθισμα της κούνιας) και του εδάφους πρέπει να είναι τουλάχιστον 35 εκ.

- Η απόσταση μεταξύ των εξαρτημάτων της κούνιας και του σκελετού θα πρέπει να είναι τουλάχιστον 30 εκ.
- Η απόσταση μεταξύ των γάντζων Swing Hooks θα πρέπει να είναι 45 εκατοστά.
- Η απόσταση από τη μια κούνια στην άλλη θα πρέπει να είναι 45 εκατοστά.
- Το σχοινί αναρρίχησης ή η σκάλα αναρρίχησης θα πρέπει πάντα να δένονται σφικτά στην κορυφή και στο κάτω μέρος της κούνιας γιατί εάν είναι ελεύθερο μπορεί να μπλεχτεί και το παιδί να διπλωθεί.

## ΕΛΕΓΧΟΣ ΚΑΙ ΣΥΝΤΗΡΗΣΗ

Για την ασφάλεια των χρηστών της παιδικής χαράς, αυτή θα πρέπει να ελέγχεται βάση των οδηγιών ασφαλείας όπως αναφέρονται παρακάτω μια φορά στην αρχή κάθε σαζόν και στην συνέχεια δύο φορές το μήνα. Εάν οι ελεγχοί συντήρησης δεν πραγματοποιούνται τακτικά, το παιχνίδι αυτό μπορεί να αναποδογυρίσει ή να γίνει επικίνδυνος.

#### Ξύλινα αξεσουάρ

- Ελέγξτε για σκλήθρες και πιθανές κατασκευαστικές ατέλειες.
- Κάντε συντήρηση της παιδικής χαράς με περιοδικές επαλείψεις βερνίκου εξωτερικής χρήσης, ώστε τα ξύλα να μην σαπίσουν, εκτός αν είναι εμποτισμένα. Μην χρησιμοποιείτε χρώματα που καθιστούν τις επιφάνειες ολισθηρές.

#### εξαρτήματα

- Ελέγξτε όλα τα εξαρτήματα αν είναι καλά σφιγμένα. Προσοχή: Εάν σφικτούν πολύ, μπορεί να προκληθεί άνοιγμα του ξύλου στα δύο.
- Ελέγξτε επίσης τα εναπομείναντα εξαρτήματα, γωνίες και άγκιστρα για σκουριά, η οποία μπορεί να επηρεάσει την αντοχή τους. Εάν είναι απαραίτητο αντικαταστήστε τα.
- Ελέγξτε τα στήριγματα εδάφους.

#### λοιπά αξεσουάρ (εάν υπάρχουν)

- Ελέγξτε εάν τα RopeLocks έχουν τοποθετηθεί σωστά στα εξαρτήματα JungleGym άγκιστρα κούνιας. Για να ελέγξετε τα RopeLocks HC, κρεμαστείτε με όλο σας το βάρος σε κάθε ένα από τα σχοινιά για μερικά δευτερόλεπτα. Για να ελέγξετε τα RopeLocks SC καθίστε με όλο σας το βάρος για μερικά δευτερόλεπτα. Αντικαταστήστε τα, εάν είναι απαραίτητα.
- Εάν τρίζουν τα RopeLocks HC μπορείτε να τα βρέξετε με νερό, με φυτικό λάδι ή με ηλιέλαιο.
- Ελέγξτε τις θέσεις της κούνιας και των δοκών για την σταθερότητά τους και τα σχοινιά για εφτάμινα. Για να βεβαιωθείτε για την καλή κατάσταση των σχοινιών, ανοίξτε τα στα σημεία που τριβούνται περισσότερο και ελέγξτε τις εσωτερικές τους ίνες. Αντικαταστήστε τα εάν είναι απαραίτητα.
- Ελέγξτε τις ενώσεις της τσουλήθρας στην πλατφόρμα για ρωγμές στις οποίες μπορεί να προκληθεί μπλέξιμο.
- Όλα τα αξεσουάρ μπορούν να καθαριστούν με χλιαρό νερό και μαλακό απορρυπαντικό. Οι πολύ λερωμένες τσουλήθρες μπορεί να καθαριστούν με ατμοκαθαριστή ή μηχανήμα καθαρισμού υψηλής πίεσης. Προσοχή: υπάρχει κίνδυνος πρόκλησης ζημιάς στην επιφάνεια της τσουλήθρας.

#### επιφάνεια και άμεσο περιβάλλον

- Ελέγξτε εάν η επιφάνεια δεν είναι πολύ συμπιεσμένη. χαλαρώστε τη εάν είναι απαραίτητο. Γεμίστε τις τρύπες εάν υπάρχουν, για παράδειγμα κάτω από τα καθίσματα της κούνιας.
- Ελέγξτε την σταθερότητα του παιχνιδιού.
- Ελέγξτε το άμεσο περιβάλλον της παιδικής χαράς για τυχόν επικίνδυνα αντικείμενα, όπως κλαδιά, σχοινιά απλώματος ή υλικά που δεν έχουν βιδωθεί καλά.

#### ασφάλεια του περιβάλλοντος

Τα ξύλινα μέρη να μην καίγονται όταν πια δεν χρησιμοποιούνται. Απαλλαγείτε από όλα τα μεταλλικά μέρη για να μην υπάρχει κίνδυνος τραυματισμού. Πρέπει να αποφεύγετε η καύση της εμποτισμένης ή βαμμένης ξυλείας για να μην μολύνετε το περιβάλλον. Καλό είναι να μεταφέρονται σε ειδικά κέντρα απόεξφρωςής.

## ΑΣΦΑΛ'ΕΣ ΠΑΙΧΝ'ΙΑΙ

#### ΠΡΟΣΟΧΗ:

- Επιτήρηση των ανηλίκων που χρησιμοποιούν την παιδική χαρά είναι αναγκαία.
- Μάθετε τα παιδιά να παίζουν με ασφάλεια.
- Ντύστε τα παιδιά κατάλληλα. Αποφύγετε αξεσουάρ και ρούχα φαρδιά ή με κρόσια, τα οποία μπορεί να προκαλέσουν παγίδευση. Επίσης, θα πρέπει να έχετε αφαιρέσει από τα παιδιά τα κράνη ποδηλάτου.
- Τέλος: να είστε λογικοί για την αποφυγή πιθανών μη ασφαλών καταστάσεων.
- Τα προϊόντα Jungle Gym® έχουν σχεδιαστεί για παιδιά ηλικίας 3 έως 10 ετών, εκτός αν αναγράφεται κάτι διαφορετικό.

#### ασφαλέσ παιχνιδιά (εικ.01)

- Τα όργανα της παιδικής χαράς δεν πρέπει να χρησιμοποιούνται όταν ο καιρός είναι υγρός γιατί γίνονται γλιστερά, ενώ σε περιόδους ψύχους, ακόμα και οι πιο μαλακοί διάδρομοι μετατρέπονται σε πολύ σκληρές επιφάνειες. Τα αξεσουάρ πρέπει να αφαιρούνται και να αποθηκεύονται σε εσωτερικούς χώρους όταν οι θερμοκρασίες πέσουν κάτω από 0° C.
- Η χρήση της παιδικής χαράς για άλλο σκοπό από αυτόν που προορίζεται μπορεί να προκαλέσει ζημιά ή τραυματισμό. Μην στριφονίζετε ή δένετε τις κούνιες, τις αλυσίδες, τα σχοινιά ή όποιο άλλο εξάρτημα. Μπορεί να μειωθεί η αντίστασή τους ή και να παγιδεύσουν τους χρήστες.
- Μην επιτρέπετε στα παιδιά:
  - να πηδούν από τις κούνιες όταν βρίσκονται εν κινήσει.
  - να κουνούν τις άδειες κούνιες ή άλλα εξαρτήματα.
  - να κουνιούνται πλάγιως.

- να κρέμονται ανάποδα.
  - να σταματούν άλλο παιδί την ώρα που κουνιέται.
  - να περπατούν μπροστά, κοντά, ανάμεσα, ή πίσω από οποιοδήποτε όργανο.
- Βεβαιωθείτε ότι το παιδί κάθεται στο κέντρο της κούνιας. Μόνο ένα παιδί επιτρέπεται να κάθεται σε κάθε κάθισμα της κούνιας. Σε έναν κανονικό πύργο δεν μπορούν να παίζουν παραπάνω από 3 παιδιά, με ανώτατο βάρος 50 Kg έκαστο. Σε έναν κανονικό πύργο με μια κούνια επιτρέπονται το ανώτερο 5 παιδιά με βάρος όχι πάνω από 50 Kg έκαστο.
  - Δεν επιτρέπεται το σκαφάκι ή το κρέμασμα από τον σκελετό. Η πτώση μπορεί να προκαλέσει σοβαρούς τραυματισμούς.
  - Κάθε ανοιχτή πλατφόρμα αυξάνει τον κίνδυνο ατυχήματος. Ο κίνδυνος μειώνεται με τη λήψη κάποιας προφύλαξης, όπως χερούλια, μπάρες ασφαλείας ή φράχτη.
  - Μην αφήνετε τα παιδιά να τσαουλήσουν στην τσουλήθρα με οποιονδήποτε άλλον τρόπο εκτός από καθισμένα.
  - Αποφύγετε να εγκαταστήσετε την τσουλήθρα σε τέτοια θέση που να εκτεθείται στον ήλιο νοτίως. Υπάρχει κίνδυνος υπερθέρμανσης των εξαρτημάτων. Βεβαιωθείτε ότι δεν είναι πολύ ζεστή πριν παίξει το παιδί.

#### αποϊΟυμενα εργαλεια (εικ.02)

- Μέτρο, 2. Μολύβι, 3. Σιδερόπριονο, 4. Ξυλινό & μεταλλική λάμα, 5. Ηλεκτρικό τρυπάνι, 6. Σφυρί, 7. επίπεδο » ή «υδράργυρος

#### στανταρ ενωσεια μανδαλου (εικ.03)

- Για τα στριφάκια, πρώτα ανοίξτε τρύπα 10 χιλιοστών στο μέρος που θα τα τοποθετήσετε.
- Χτυπήστε τη ράβδο του συγκολλημένου περικόχλιου με σφυρί ώστε να μπει στην τρύπα. Η προεξέχουσα ράβδος του περικόχλιου πρέπει να μπει καλά μέσα στο ξύλο.
- Τοποθετήστε την ροδέλα ανάμεσα. Χτυπήστε το στρογγυλό μέρος του παξιμαδιού με ένα σφυρί μέσα στην τρύπα από την άλλη πλευρά. Το προεξέχον στρογγυλό μέρος του παξιμαδιού θα πρέπει να είναι μέσα στο ξύλο. Χρησιμοποιήστε την πρίζα 13 χιλιοστών στο ηλεκτρικό τρυπάνι σας για να σφίξετε κάθε μάνδαλο μέχρι η ροδέλα ασφαλείας να συμπιεσθεί πλήρως ανάμεσα στην κεφαλή του μανδάλου και την τετράγωνη ροδέλα.
- Εάν τα μάνδαλα είναι πολύ μικρά, σας συμβουλεύουμε να ανοίξετε στο πάνω μέρος την τρύπα στο χοντρύτερο σημείο του ξύλου με διάμετρο 22 χιλ., έτσι ώστε το μάνδαλο να βυθιστεί μετά την συναρμολόγηση. Περάστε την τρύπα που παραμένει με βερνίκι. Όταν η κεφαλή του μανδάλου έχει κρυφθεί, δεν χρειάζεται να χρησιμοποιήσετε το προστατευτικό καπάκι του.
- Εάν το μάνδαλο είναι πολύ μακρύ, είναι απαραίτητο να αφαιρέσετε την προεξέχουσα άκρη. Λειάνετε με λίμα.

#### πιλοτικες τρυπες (εικ. 4)

Για να προστατέψετε το ξύλο από ρωγμές, ανοίξτε πιλοτικές τρύπες για όλες τις βίδες. Άλλες οι πιλοτικές τρύπες είναι 10 χιλ. στενότερες από τις βίδες.

#### ιδεο για ξύλα (εικ. 4α)

- Ανοίξτε πιλοτικές τρύπες φ 3 mm για τις βίδες για ξύλα.
- Είναι σημαντικό να βεβαιωθείτε ότι οι κεφαλές από όλες τις βίδες είναι στο ίδιο επίπεδο με την επιφάνεια του ξύλου και ότι δεν προεξέχουν κοφτερές γωνίες.

#### XL Stealth™ Ξυλόβιδες (εικ. 4β)

- Για τις ξυλόβιδες, πρώτα ανοίξτε διαμετρική τρύπα φ5 mm και στα δύο μέρη που θα ενωθούν.
- Τοποθετήστε την ροδέλα ανάμεσα. Χτυπήστε το στρογγυλό μέρος του παξιμαδιού με ένα σφυρί μέσα στην τρύπα από την άλλη πλευρά. Το προεξέχον στρογγυλό μέρος του παξιμαδιού θα πρέπει να είναι μέσα στο ξύλο. Χρησιμοποιήστε την πρίζα T40 χιλιοστών στο ηλεκτρικό τρυπάνι σας για να σφίξετε κάθε μάνδαλο μέχρι η ροδέλα ασφαλείας να συμπιεσθεί πλήρως ανάμεσα στην κεφαλή του μανδάλου και την τετράγωνη ροδέλα.

Προσοχή: Μην σφίγγετε τα μπουλόνια και τις βίδες παραπάνω από όσο χρειάζεται!

Εάν χρησιμοποιήσετε σκληρό ξύλο μπορεί να είναι απαραίτητο το άνοιγμα πιλοτικών τρυπών μεγαλύτερης διαμέτρου, ανάλογα με την πυκνότητα του ξύλου.

040\_805\_GSI\_el\_0300\_20210911\_n1A

# INSTRUCCIONES GENERALES DE SEGURIDAD

Felicidades por la compra de este kit Jungle Gym® "hágalo usted mismo". Este kit contiene todas las partes y accesorios necesarios para construir su propio patio de recreo. Con la compra de este kit Jungle Gym® usted tiene la posibilidad de construir un juego seguro en poco tiempo: un placer garantizado para sus niños para muchos años.

El kit Jungle Gym® contiene piezas metálicas especialmente desarrolladas. Estas piezas metálicas fueron diseñadas cuidadosamente y teniendo muy en cuenta la seguridad de los niños como elemento prioritario. El equipo no tiene ángulos puntiagudos o partes que sobresalgan y está protegido contra todo tipo de inclemencias meteorológicas. Todos los componentes incluidos en los kits tienen la garantía de las normas EN 71-1,-2,-3, -8 & -9 (Estándar de seguridad Europea) para uso privado, bajo la condición de que el kit se construya y se use correctamente de acuerdo con el manual. No se aparte de estos planos ni cambie el diseño.

Advertencias. Sólo para uso doméstico. Sólo para uso en exteriores. Peso máximo del usuario: 50 kg. No conveniente para niños menores de tres años. Apto para niños de tres a diez años.

Este producto está destinado solamente para el uso en residencias familiares individuales. Su instalación pública o dominio público es claramente un mal uso de este producto.

Lea cuidadosamente estas instrucciones de montaje antes de comenzar con la construcción. Guarde estas instrucciones de montaje para tener una referencia en el futuro.

## INSTRUCCIONES DE SEGURIDAD

### Madera

- Trate todas las partes y extremidades con un lasur para prevenir que se pudran, también cuando se usa madera tratada al autoclave.
- Ponga atención especial a las partes que tienen contacto con el suelo.
- Trate todos los orificios, también los de la escala de cuerda y la cuerda para escalar con un lasur.

### Área de seguridad del juego

- Coloque el parque infantil en una superficie firme sin pavimentar, como la hierba o una sólida capa de arena. No instale su juego sobre concreto, grava, asfalto, tierra comprimida u otra superficie dura.
- La superficie del suelo debe ser plana. Si instala su juego en una pendiente puede provocar que se incline o se caiga. Esta inclinación hace presión adicional sobre todas las conexiones y ensambladuras y con el paso del tiempo resulta que esas conexiones se sueltan y fallan.
- El área de seguridad del juego es la zona que amplía en un radio de 200 centímetros el espacio ocupado por el juego fijado en todos los lados. Una caída sobre una superficie dura puede ocasionar serias heridas. Instale la cubierta del terreno en el área de seguridad. Lo siguiente es una lista de materiales recomendados para cubrir el suelo.

### Material sugerido

	profundidad descomprimida
Corteza (de árbol) doble desfibrada	50 cm
Virutas de madera uniformes	50 cm
Grava fina	50 cm
Arena fina	50 cm
Hierba	

- El área de seguridad del juego debe estar fuera de cualquiera estructura u obstrucción, como una valla, garaje, casa, ramas que sobresalgan, cuerdas para tender ropa o cables eléctricos.
- No sitúe su juego en la dirección de caminos o pasillos.
- Cualquier valla para contener la cubierta del terreno tiene que estar fuera del área segura para jugar (vigas para jardín o vigas de ferrocarril).

### Instalación segura

- Los niños deberán estar fuera del lugar de trabajo hasta que el terreno esté seguro para jugar y haya sido despejado de obstáculos, cuando el kit haya sido completamente instalado, todo el equipo haya sido fijado y controlado, y todas las herramientas y otros componentes, que no pertenecen al terreno para jugar hayan sido recogidos.
- Cuando se arma este juego, se requiere por lo menos dos personas para levantar y fijar barras, armazones u otro montaje pesado antes de empujar o atornillar.
- Controle todas las partes y agrúpelas sistemáticamente a su lado. Compárelas con la lista de componentes.
- Use ropa y equipo de seguridad correcta (Ej.: gafas de seguridad, máscara para el polvo y guantes) cuando usted sierra, taladre, lije, barnice o una el juego y especialmente cuando esté trabajando con madera tratada al autoclave.
- Siga las recomendaciones de seguridad del fabricante para las herramientas y el equipo que usted use.
- No use la plataforma hasta que el juego esté completamente montado. Use la escalera en caso de que no alcance las partes superiores.
- El juego tiene que estar sujeto firmemente para prevenir que se caiga o se mueva. Si las condiciones del terreno permiten que las estacas se saquen fácilmente del suelo, entonces se requiere en cimiento. Asegúrese que las vigas no sobresalgan del suelo porque los niños pueden caer sobre ellos.
- Después del montaje asegúrese de usar una sierra para metal para cortar todas las partes sobresalientes de pernos y otros fijadores. Haga desaparecer todos los bordes puntiagudos con una lima para metal.
- Para prevenir astillas lime la madera con un pedazo de papel liga. También suavice todos los ángulos con papel liga o una lima para metal en un radio de 3 milímetros.
- No coloque cosas extras en este juego gimnástico, tales como cuerdas, cadenas, cuerdas pesadas u otros.
- No combine productos de otros fabricantes con productos Jungle Gym®, porque puede disminuir la seguridad.
- Use solamente "Rope locks" (cierre de cuerda) en combinación con ganchos de columpio Jungle Gym®. No use los "Rope locks" (cierre de cuerda) para otros fines, como escalar montañas o tirar carga.
- El hilo de rosca del tornillo del Swing Hook se debe atornillar en la madera completamente y firmemente contra la viga cruzada. Es importante que usted alinee el Swing Hook en la posición apropiada. Un gancho incorrectamente instalado o mal alineado puede romper o sacar y causar lesión!

- La distancia entre accesorios para columpiarse (por ejemplo un asiento de columpio) y el área de juego debe ser por lo menos de 35 cm.
- La distancia entre accesorios debe ser por lo menos de 30 cm.
- La distancia entre los Swing Hooks debe ser de 45 cm.
- La distancia entre los columpios debe ser de 45 cm.
- Una cuerda para escalar o una escala de cuerda siempre tiene que estar asegurada tanto en la parte superior como inferior, porque la cuerda libre puede anudarse a una soga y los niños pueden quedar enredados.

## INSPECCIÓN Y MANUTENCIÓN

Para asegurar la seguridad de los usuarios del juego, este debe ser sometido a la inspección de seguridad, mencionada más abajo, una vez al comienzo de cada temporada y dos veces por mes durante la temporada de uso. Si las comprobaciones de mantenimiento no se efectúan regularmente, el columpio puede volcar o resultar peligroso.

### Componentes de madera

- Revise astillas y otros posibles defectos de construcción.
- Mantenga el juego con aplicaciones periódicas de lasur para prevenir que la madera se pudra. No use pintura que pueda causar una superficie resbalosa.

### Piezas metálicas

- Controle si todo el equipo está fijo o apretado. Atención: piezas metálicas demasiado apretadas aplastan las fibras de la madera, y pueden partir las tablas.
- Controle la corrosión de las piezas metálicas restantes, soportes y ganchos del columpio. Reemplácelas cuando sea necesario.
- Controle los fundamentos en el suelo para asegurarse que están seguros. Si fuese necesario repóngalo o reemplácelo.

### Accesorios (si fuese conveniente)

- Controle si los « Rope locks » (cierres de cuerda) están correctamente instalados sobre los Jungle Gym® ganchos del columpio. Para controlar los « Rope locks » (cierres de cuerda) de las cuerdas suspendidas, cuélguese de cada cuerda con todo su peso durante unos segundos. Reemplácelo si es necesario. Los « Ropelocks » (cierres de cuerda) de las cuerdas del columpio pueden ser controlados sentándose sobre el accesorio con todo su peso por algunos segundos. Si se es cucha algún chirrido se pueden humedecer los « Rope locks » (cierres de cuerda) de las cuerdas suspendidas con agua o con aceite vegetal o aceite de oliva.
- Controle los asientos del columpio y las barras si están completas y controle las cuerdas del columpio de desgastes o creación extrema de fibras. Para valorar correctamente la fiabilidad de la cuerda, abra los hilos donde ocurrieron los desgastes y controle cuidadosamente si los filamentos se han quebrado. Verifique la cinta del Baby Swing. Reemplácela cuando sea necesario.
- Controle la conexión del tobogán a la plataforma de grietas en las cuales, por ejemplo, pueden quedar atrapadas las cuerdas de capuchones lo que ocasionaría que se engancharan.
- Todos los accesorios pueden ser limpiados con agua caliente y un detergente suave. Los toboganes muy sucios pueden ser limpiados con una manguera de alta presión, tenga cuidado de no dañar la superficie en que se desliza.

### Área de seguridad del juego

- Controle si la superficie que amortigua los choques no está demasiado comprimida, suéltela si fuese necesario. Rellene cualquier hoyo, por ejemplo bajo los asientos del columpio.
- Controle la estabilidad de los juegos.
- Controle los alrededores de peligro directo; como por ejemplo ramas que sobresalgan, cuerdas para tender ropa o materiales sueltos.

### Protección ecológica

Las partes de madera de los juegos nunca deben ser quemados cuando se desechan. Deseche todas las partes de metal para no crear riesgos. No está permitido que usted mismo quemar madera prensada o pintada, por razones de contaminación ambiental. Llévela a la zona de desechos local.

## JUEGO SEGURO

### Atención:

- Supervise el lugar previsto para jugar a los niños de todas las edades en todo momento.
- Enseñe a los niños a jugar con seguridad.
- Vista a los niños correctamente. Evite accesorios y ropa con cuerdas para tirar y ropa suelta, que puedan quedar enredadas o enganchadas en el juego.
- Lo último en orden aunque no en importancia: use el sentido común para evitar cualquier posible situación peligrosa.
- Los productos Jungle Gym® están diseñados para ser utilizados por niños de 3 hasta 10 años, si no se indica de otra manera.

### Juegue seguro (il. 1)

1. No se debe jugar en el juego en condiciones meteorológicas húmedas debido a que las superficies son potencialmente resbaladizas o en periodos helados, puesto que el pavimento más suave puede cambiar en una superficie muy dura. Los accesorios deben ser sacados y llevados para adentro cuando las temperaturas bajan de los 0° C (32° F).
2. El uso del juego o de los accesorios para cualquier otro fin, puede causar daños y heridas. No tuerza o enrolle columpios, cadenas, cuerdas o cualquier otro accesorio. Torcer reducirá la resistencia de los accesorios.
3. Advierta a los niños de no:
  - Saltar de los columpios mientras están en movimiento
  - Mover los asientos vacíos u otros accesorios vacíos
  - Columpiarse en un ángulo
  - Colgarse de cualquier parte del juego gimnástico
  - Tomar o parar otro niño en un equipo que está en movimiento
  - Caminar cerca, frente, entre, o detrás de un accesorio que se mueve
4. Advierta a los niños, que se sienten en el centro de los columpios, con todo su peso en los asientos. Sólo un niño debe ser admitido por cada asiento planeado. Una torre estándar: se permite jugar en el juego un máximo de 3 niños con un peso máximo de 50 Kg. cada uno.

5. No se debe permitir que se suba o se cuelgue del armazón del juego. Podría herirse severamente en la caída.
6. El área del juego tiene que estar libre de estructuras y obstáculos.
7. Cada área abierta sobre una plataforma agranda el riesgo de posibles accidentes. El riesgo puede ser reducido significativamente tomando precauciones de seguridad como manillas, barras de seguridad y tablas de cercado.
8. No permita que los niños bajen del tobogán de ninguna otra manera que sentados.
9. Evite la exposición al sol del tobogán. Todos los componentes pueden calentarse cuando son expuestos al sol directo. Asegúrese que el juego no está caliente antes de permitir que jueguen los niños. Si fuese necesario se puede enfriar el juego con agua.

### Herramientas requeridas (il. 2)

- 1 Sierra, 2 Lápiz, 3 Cinta métrica, 4 Lima para madera y metal, 5 Taladro eléctrico, 6 Martillo, 7 Nivel de burbuja

### Conexión de tornillo estándar (il. 3)

- Perfore un agujero de 10 milímetros en las piezas que se sujetarán.
- Golpee el barril de la tuerca de la autógena con un martillo en el agujero. El barril que resalta de la tuerca de la autógena debe estar dentro de la madera.
- Coloque la arandela de cerradura sobre la caña del tornillo, seguida por la parte plana de la arandela e inferior de la tapa del tornillo.
- Comience el ajuste preliminar del tornillo en la tuerca de la autógena a mano antes de usar el zócalo de 13 milímetros en su taladro eléctrico para apretar cada tornillo hasta que la acción del resorte de la arandela de cerradura se comprima completamente entre el jefe del tornillo y la arandela plana. Cierre la tapa de protección del tornillo con su tapa.
- Si resulta que el tornillo es demasiado corto, aconsejamos un taladro de 22 milímetros para profundizar la primera parte del agujero en la zona más gruesa de la madera, de modo que la cabeza del tornillo esté galvanizado. Trate el agujero con protección de lasur. Ya que la cabeza del tornillo está galvanizada, no hay necesidad de utilizar la tapa de protección del tornillo.
- Si resulta que el tornillo es demasiado largo, será necesario sacar el extremo saliente cortándolo. Si aparecen bordes puntiagudos, use una lima..

### Orificios de guía (il. 4a+4b)

Para evitar que la madera se parta, se recomienda hacer orificios de guía para todos los tornillos. Estos orificios de guía son 10 milímetros más cortos que los tornillos.

### Tornillos de madera (il. 4a)

- Haga un agujero piloto de 3 milímetros para los tornillos de madera.
- Es muy importante asegurarse que las tapas de todos los tornillos sean rasantes con la superficie de la madera y que no hagan bordes agudos que resalten.

### XL Stealth™ tornillos del retraso (il. 4b)

- Para un XL Stealth™ tornillo del retraso primero perfore un agujero de 5 milímetros a través de ambas piezas que se sujetarán.
- Coloque el tornillo en agujero y utilice zócalo de T40 bit en su taladro eléctrico a apretar. Cierre la tapa de protección del tornillo con su tapa. Precaución: no apriete demasiado los pernos y los tornillos!

Precaución: No apriete demasiado los pernos y los tornillos!

Trabajando la madera tropical puede ser necesario pretaladrar con un diámetro más grande, dependiendo de la densidad de la madera.

040\_805\_GSI\_es\_0300\_20120911\_n1A

# ÜLDISED OHUTUSALASED JUHISED

Õnnitame Teid Jungle Gym® kokkupanemise mänguväljaku komplekti ostmise puhul. Jungle Gym® komplekti abil saate lühikese aja jooksul kokku panna ohutu mängukompleksi, mis pakub lastele rõõmu veel aastate jooksul.

Jungle Gym® komplekt koosneb spetsiaalselt valmistatud detailidest. Detailid on konstrueeritud suure hoolikusega ning esmatähtsaks on peetud laste ohutust. Detailidel puuduvad teravad nurgad ja väljatungivad osad; detailid on kaitsitud kõigi ilmastikujõude eest. Kõik komplekti osad vastavad Euroopa ohutusstandarditele EN 71-1, -2, -3, -8 ja -9 toodete kasutamisel isiklikuks otstarbeks tingimusel, et komplekt pannakse kokku ja seda kasutatakse kasutusjuhendi kohaselt. Vältige kõrvalekaldumist juhendist ning ärge muutke väljatöötatud konstruktsiooni.

**Hoiatused.** Ainult koduseks kasutamiseks. Ainult välisruumides kasutamiseks. Maksimaalne kasutaja kaal on 50 kg. Ei ole sobiv alla kolmeaastastele lastele. Sobib kolme- kuni kümneaastastele lastele.

Toode on ette nähtud kasutamiseks ainult ühepereeramu juures. Toote paigaldamist avalikku kohta või selle andmist üldiseks kasutamiseks loetakse toote väärkasutuseks.

Enne kokkupaneku alustamist lugege käesolev kokkupanekujuhend hoolikalt läbi. Säilitage juhend edaspidiseks.

## OHUTUSALASED JUHISED

### Puit

- Tödelge kõiki saetud pindu ja otsi välistõõks mõeldud puidummutusvahendiga, et takistada puidumädaniku tekkimist; seda ka juhul, kui kasutatakse rõhu all töödeldud puitu.
- Pöörake erilist tähelepanu kohtadele, mis on kontaktis maapinnaga.
- Tödelge peitsiga ka kõiki kruvipeade avasid ning köis- või ronimisredeli avasid.

### ohutu mängutsoon

- Asetage playset kohta sillutamata kindlale pinnale, nagu rohi või tahke kiht liiva. Ärge paigaldage kompleksi betoonile, kruusale, asfaldile, pinnasele või mõnele muule kõvale kattelale.
- Maapind peab olema tasane. Mängukompleksi ehitamine kaldpinnale võib põhjustada kogu ehitise viitvamise või mõnel muul viisil kahjustumise. Kallak põhjustab kõrgis ühendustes ja lülides lisapingeid ning aja jooksul võivad need lõtvuda ja puruneda.
- Ohutu mängutsooni laius kompleksi külgsuunas peab olema 200 cm. Kukkumine kõvale pinnale võib lõppeda tõsiste traumadega.
- Paigaldage kattermaterjal kogu ohutu mängutsooni ulatuses. Allpool on loetletud soovitatavad pinnakatted.

### Soovitatav materjal

Kahekordselt narmastatud puukoore müts	50 cm
Ühtlased puutlaastud	50 cm
Jäme liiv	50 cm
Peenike liiv	50 cm
Muru	

### Kokkurusumata materjali sügavus

50 cm
50 cm
50 cm
50 cm

- Ohutus tsoonis ei tohi olla ehitisi, tarasid, garaaže, maju; sinna ei tohi ulatuda oksad, pesunõõrid, elektrijuhtmed ega muud objektid.
- Ärge ehitage kompleksi teede või läbikäikude juurde.
- Paigaldage kattermaterjal kogu ohutu mängutsooni ulatuses. Kõik kattermaterjalist valmistatud äärsed peavad jääma väljapoole ohutut tsooni (ka puitäärsed ja muud tõkked).

### ohutu ülesseadmine

- Lapsed peavad olema tööpiirkonnast niikaua eemal, kuni kõik on valmis, et kuni mängukompleks on täielikult monteeritud, mängutsoon puhastatud kõrvalistest objektidest, kõik atraktsioonid hoolikalt kinnitatud ning kontrollitud, kõik mängukompleksi juurde mittekuuluvad tööriistad ja muud esemed ära viiud.
- Kompleksi monteerimiseks on vaja vähemalt kaht täiskasvanud inimest (talade töstmiseks ja hoidmiseks, raamide ja teiste raskekaaluliste sõlmede paigaldamiseks poltide või kruvide kinnitamise ajal).
- Kontrollige kõiki komplekti kuuluvaid osi ja rühmitage need kasutusotstarbe järgi käeulatusse. Kontrollige osade olemasolu osade nimekirja järgi.
- Kandke sobivat tööriietust ja individuaalseid kaitsevahendeid (nt kaitseprille, tolmu maski ja töökindaid). Seda tuleb teha saagi misel, puurimisel, lihvimisel, värvimisel ja kompleksi kokkupanekul ning eriti siis, kui töötate surve all töödeldud puitmaterjaliga.
- Järgige kasutatavate tööriistade ja seadmete valmistajate soovitusi.
- Ärge mine enne platvormile, kuni kogu kompleks on täielikult monteeritud; kui Te ei ulata küllalt kõrgele, siis kasutage treppredelit.
- Kompleks peab olema kindlalt ankurdatud maapinna külge, et vältida ümberminekut või nihkumist. Kui pinnas võimaldab postide kergelt väljatulekut maapinnast, siis tuleb postiaugud tsemmenteerida. Veenduge, et ankurdus ei ulatuks maapinnast välja, sest lapsed võivad sinna komistada.
- Pärast kokkupanekut lõigake rauasaaga ära kõik väljalatulvad keermestatud poldidotsad ja muud kinnitused. Kõrvaldage metall liivili abil kõik teravad servad.
- Pindudest tekkivate vigastuste vältimiseks tödelge puitpindu liivapaberiga. Siluge kõik nurgad liivapaberi või metalliivliga raadiuserni 3 mm.
- Ärge kasutage kompleksi juures täiendavaid lisatruktuure nagu köisi, kette, raskeid trosse vms.
- Ärge kombineerige teiste tootjate toodangut Jungle Gym® toodetega, kuna see võib vähendada mängukompleksi ohutust.
- Kasutage koos Jungle Gym® kiigeokksudega ainult Rope Locks™ kinnitust. Ärge kasutage Rope locks™ kinnitust muuks otstarbeks, nagu nt mägronimiseks ja koormuste töstmiseks.
- Swing Hook LS kiigeokksu kruvi keere tuleb täies ulatuses ja kindlalt keerata pöikitala sisse. Oluline on reguleerida kiigeokksu õigesse asendisse. Ebahõlgelt paigaldatud või reguleeritud konksud võivad puruneda või tulla talast välja ja põhjustada vigastusi.
- Kiikumisvahendi (nt kiigeistme) kõrgus maapinnast peab olema vähemalt 35 cm.
- Kiikumisvahendi ja raami vaheline kaugus peab olema vähemalt 30 cm.
- Kiigeokksude vaheline kaugus peab olema vähemalt 45 cm.
- Kiikumisvahendite vaheline kaugus peab olema vähemalt 45 cm.
- Ronimisvõhendi ja köisredel tuleb kinnitada nii ülalt kui alt, sest vabalt ripuvad köisid võivad moodustada silmuse ja lapsed võivad sinna kinni jääda.

## KONTROLLIMINE JA HOOLDUS

Mängukompleksi ohutuse tagamiseks tuleb kontrollida kompleksi ohutust iga kasutusperioodi alguses ja hiljem kasutamise käigus kaks korda kuus. Kui hoolduseks läbiviidavaid kontrolle ei tehta regulaarselt, võib mänguväljaku laguneda või muutuda muul moel ohtlikuks.

### puitosad

- Kontrollige, et poleks tekkinud pilpaid ning puuduksid muud defektid.
- Hooldamisel katke pinnad regulaarselt puidummutusvahendiga, et ennetada puidumädaniku tekkimist. Ärge kasutage värve, mis muudavad puidu pinna libedaks.

### atraktsioonid

- Kontrollige kõigi atraktsioonide kinnitust. Ettevaatust! Ülepingutamise võib põhjustada puidukiudude muljumist, mille tagajärjel võivad puitdetailid lõheneda.
- Kontrollige ülejäändu detaile, klambreid ja kiigeokkse roostetamise suhtes – viimane võib vähendada metalldetailide tugevust. Vajaduse korral vahetage defektseid osad uute vastu.
- Kontrollige pinnaseankruid, et veenduda nende kinniolekus. Vajaduse korral muutke ankrud asukohta või asendage uuega.

### täiendavad atraktsioonid (kui on kasutusel)

- Kontrollige, kas Rope Locks™ kinnitust on õigesti paigaldatud Jungle Gym® kiigeokksudele. Rope Locks HC kinnituste kontrollimiseks rippuge kogu keha täis-raskusega mõne sekundi jooksul ühe kiigeokse küljes. Rope Locks SC kinnituste kontrollimiseks istuge kiigel kogu keha täisraskusega mõne sekundi jooksul. Vajaduse korral vahetage defektseid osad uute vastu. Kui kiik hakkab kriuksuma, siis niisutage Rope Locks HC kinnitust vee või taimetõlliga (nt oliivõlliga).
- Kontrollige kiige istme ja varaste korrasolekut, kontrollige kiige köisi kulumise ja kiudude eraldumise suhtes. Köie korrasoleku üle otsustamiseks avage köie keere kulunud kohalt ja kontrollige, kas kiud ei ole katkenud. Kontrollige väikelaste kiige turvari hma. Vajaduse korral vahetage turvarihm uue vastu.
- Kontrollige, kas liugpinna ja platvormi vahelisel alal ei ole pragusid. Pragudesse võivad haakuda nt kapuutsiga jaki paelad ning laps võib kinni jääda.
- Kõiki atraktsioone võib puhastada sooja vee ja nõrga pesemisvahendiga. Tugevasti määrdunud liugpindu võib pesta kõrgsurve pesuvahendiga. Olge ettevaatlik ja hoiduge liugpinna ning puitdetailide kahjustamisest.

### ohutu mängutsoon

- Kontrollige, et lööke summutav pind poleks liialt kokku pressitud, vajadusel kobestage. Täitke kõik leitud augud (nt kiige istme all).
- Kontrollige kogu kompleksi püsivust.
- Kontrollige ohtude (nt kaugeleulatuvate okste, pesunõõride, lahtise materjali) puudumist kompleksi vahetus ümbruskonnas.

### keskkonnakaitse

Mängukompleksi puutosade utiliseerimisel ei tohi neid põletada. Metall-osad utiliseerige ohutult ja ettenähtud viisil. Rõhuga töödeldud, peitsitud või värvitud puutosade põletamine kodumajapidamises saastab keskkonda. Viige need kohaliku tööstusjäätmete kogumispunkti.

## MÄNGUKOMPLEKSI OHUTU KASUTAMINE

### tähelepanu!

- Laste mängimist, sõltumata nende vanusest, peab alati jälgima kohapeal viibiv täiskasvanu.
- Lastele tuleb õpetada kompleksi ohutut kasutamist.
- Lapsed peavad kandma mängimisel ohutuid rõivaid. Vältige selliseid aksessuaare, nõõritavaid ja lahtisi rõivaid ning ümber kaela olevaid sille ja paelu, mis võivad atraktsioonide külge kinni jääda. Enne mängima hakkamist tuleb ära võtta ka jalgrattakiivid.
- Võimalike ohtlike olukordade tekkimist aitab ära hoida terve mõistuse kasutamine.
- Jungle Gym® tooted on ette nähtud lastele vanuses 3–10 aastat, kui kasutusjuhendis pole öeldud teisiti.

### mängukompleksi ohutu kasutamine (joon. 1)

- Kompleksi ei tohi kasutada niisketes ilmastikuoludes pindade libedaks muutumise tõttu ning nullist madalamal temperatuuridel, kuna mängukompleksi pehme pinna-kate võib muutuda väga kõvaks. Kui temperatuur langeb alla 0 °C, siis tuleb atraktsioonid viia siseruumidesse.
- Mängukompleksi ja atraktsioonide kasutamine mitteettenähtud eesmärkidel võib kahjustada kompleksi tervikuna ja atraktsioonide ning lõppeda traumadega. Ärge väänake ega rullige kokku kiikesid, nõõredeleid, köisi ega muid atraktsioone. Väänamine vähendab köite tugevust ja võib põhjustada nende kinnijäämist.
- Hoiatage lapsi, et nad väldiks:
  - liikuvalt kiigelt mahahüppamist;
  - tühjade istmete ja muude atraktsioonide kiigutamist;
  - kiikumist nurga all;
  - ükskõik millisel atraktsioonil pea allapoole rippumist;
  - teise lapse või ükskõik millise liikuva mänguvahendi haaramist ja peatamist;
  - liikuvatele atraktsioonidele liialt lähedale minekut (ükskõik millisest suunast).
- Harjutage lapsi istuma kiigel nii, et nende raskuse järgselt jääks istme keskele. Ühel istmel võib korraga istuda ainult üks laps. Stan darne torn: mängukompleksil võib korraga olla 3 last kaaluga kuni 50 kg. Standardne torn koos kiigega: kompleksil võib korraga mängida 5 last kaaluga kuni 50 kg.
- Ronimine või rippumine mängukompleksi raamil on keelatud. Kukkumise tagajärjel võivad lapsed saada raskeid traumasid.
- Mänguväljaku ei tohi olla muid ehitisi ega tõkkeid.
- Platvormi iga tõkestamata piirkond suurendab võimalike õnnetuste ohtu. Ohtu saab tunduvalt vähendada täiendavate käepidemete, käsipuude ja piirete paigaldamisega.
- Ärge lubage lastel ennast alla libistada muul moel, kui ainult istudes. Vältige otsese lõunapäikese mõju liugpinnale. Päikese käes võivad kõik pinnad kuumeneda. Enne, kui lubate lapsed mängima, kontrollige, et mängukompleksi pinnad poleks liialt kuumad. Kui osutub vajalikuks pindu veega jahutada,

### vajaminevad tööriistad (joon. 2)

- Mõõdulint, 2. Pliats, 3. Käisasaag, 4. Puu- ja metalliiv
- Elektritrell, 6. Vasar, 7. liilikmõõt

### standardne poltide (joon. 3)

- Puurige kinnitavasse detaili ø10 mm ava.
- Lööge vasara abil avasse keermestatud puks (keevitatud mutter). Puks peab jääma täielikult puidu sisse.
- Asetage poltide vedruseid, seejärel lameseid ning poltide kate alumine osa. Algul keerake polt kääga keermestatud puksi. Seejärel kasutage poltide kinnikeeramiseks elektritrelli 13 mm padrunvõtit. Pingutage polte niipalju, et vedruseid oleks täielikult kokku surrutud poltide peale ja lameseibi vahele. Paigaldage poltide kate.
- Kui polt osutub lühikeseks, siis soovitage ava ülemise osa puu kõige paksemast kohast ø22 mm puuriga üle puurida (sügavusega 15 mm või enam, et polt pea ei ulatuks pärast kinnikeeramist avast välja). Tödelge ava peitsiga. Kuna poltide peale ei ulatu nüüd avast välja, siis pole poltide kate kasutamine vajalik.
- Kui polt osutub pikaks, siis tuleb poltide väljalatulvad keermestatud ots rauasaaga maha saagida. Kõrvaldage metalliivili abil kõik tekkinud teravad servad.

### juhtavad (joon. 4)

Puidu lõhenemise vältimiseks on soovitatav kõikide kruvide korral puurida puitu pinda juhtavad. Ava sügavus peab olema kruvist 10 mm võrra väiksem.

### puidukruvid (joon. 4a)

- Puurige puidukruvide jaoks puitu pinda ø3 mm avad.
- On väga oluline, et kõigi kruvide pead oleksid puuritud pinnaga ühetasasel ning puuduksid esileulatuvad teravad servad.

### XL Stealth™ kaelaga kruvid (joon. 4b)

- XL Stealth™ aelaga kruvide korral puurige esmalt mõlemasse omavahel ühendatavasse detaili ø5 mm ava.
- Asetage kruvide lameseibi ja kruvipea kate alumine osa. Asetage kruvi avasse ja keerake see elektritrelli ning T40 padrun võtme abil kinni. Paigaldage poltide kate.

Ettevaatust! Vältige poltide ja kruvide ülemäärast pingutamist!

Kõva lehtpuupuidu kasutamisel sõltuvalt puu tihedusest võib tekkida vajadus puurida sisse suurema diameetriga juhtavad.

040\_805\_GSI\_et\_0300\_20120911\_NA

## TURVALLISUUSOHJEET

Olet ostanut Jungle Gym® -leikkikenttäsarjan, joka sisältää kaikki tarvittavat osat ja varusteet. Liukumäki ja puutavara eivät sisälly sarjaan. Jungle Gym® -sarjasta saat rakennettua nopeasti turvallisen leikkikentän, josta lapset nauttivat vuosikautia. Asennusohjeissa luetellaan tarvittava puutavara.

Jungle Gym® -sarjojen metalliosat on suunniteltu erittäin turvallisiksi. Niissä ei ole teräviä kulmia eikä esiin työntyviä osia, ja ne on suojattu kaikenlaisilla sään vaikutuksilta. Sarjojen osat täyttävät eurooppalaisen turvastandardin EN 71-1,-2,-3, -8 & -9 (yksityiskäyttö) mukaiset vaatimukset, kun välineet kootaan ja niitä käytetään tämän oppaan ohjeiden mukaisesti. Älä poikkea piirustuksista tai muuta rakennetta.

**fi** Varoitukset. Ainoastaan kotikäyttöön. Vain ulkokäyttöön. Käyttäjän paino enintään 50 kg. Ei sovellu alle kolmivuotiaille. Tarkoitettu 3–10-vuotiaille lapsille.

Tuote on tarkoitettu kotikäyttöön. Asennus julkiselle paikalle tai yhteiskäyttöön on määräysten vastaista.

Lue kokoamisohjeet huolellisesti ennen kuin aloitat kokoamisen ja säilytä nämä ohjeet tulevaa käyttöä varten.

## TURVALLISUUSOHJEET

### Puutavaran

- Kiinnitä erityistä huomiota maan kanssa kosketuksiin joutuviin osiin.
- Suojaa kaikki sahaumat pinnat ja päät (myös kestopuun).
- Suojaa myös upotetut reiät sekä köysitikkaan tai kiipeilyköyden reiät.

### Turvallinen leikkialue

- Aseta Leikkisetti on päällystämätön ja vakaalle alustalle, kuten ruoho tai kiinteä kerros hiekkaa. Älä asenna leikkivälineitä kovalle pinnalle (asfaltti, betoni, sora).
- Asennuspaikan on oltava vaakasuora. Jos asennat leikkivälineen kaltevalle pinnalle, se voi kallistua. Liitokset kohdistuu tällöin lisärasitusta, jolloin ne löystyvät ajan mittaan ja antavat periksi.
- Turvallisella leikkialueella tarkoitetaan aluetta, joka ulottuu 200 cm leikkikentän ulkopuolelle leikkivälineen ympärillä. Putoaminen kovalle pinnalle voi vammauttaa pahasti. Kata turvallinen leikkialue kokonaisuudessaan. Älä luetellaan suositeltavia kateaineita.

Materiaali	syvyys tiivistämättömänä
Karike	50 cm
Puuhaake	50 cm
Hieno sora	50 cm
Hieno hiekka	50 cm
Ruohopinnalle	

- Turvallinen leikkipaikka saa olla kaikki rakenteet, aidat, autotalli, talo, yläpuolella oksat, pesula linjat, sähkö johdot ja muut esteet, joilla varmistetaan turvallinen pelata.
- Poista kaikki kompastumisvaaran kuten kivet, kannot, juuret jne. alkaen turvallisen leikkialue.
- Älä asenna leikkivälineitä polkujen tai käytävien suuntaisesti.
- Reunalaudat tai vastaavat on asennettava turvallisen leikkialueen ulkopuolelle.

### Turvallinen asennus

- Pidä lapset pois kokoamispaikalta, kunnes kaikki vaaralliset esteet on poistettu, sarja on täysin koottu, kaikki metallikiinnikkeet on kiristetty kunnolla ja tarkastettu, ja kaikki työkalut sekä muut leikkipaikalle kuulumattomat esineet on kerätty talteen.
- Sarjan rakentamiseen tarvitaan vähintään kaksi henkilöä nostamaan ja pitämään paikallaan palkkeja, runkoja tai raskaita osia ennen niiden ruuvaamista paikoilleen.
- Tarkasta kaikki osat ja kokoa ne järjestyksessä ryhmiksi ja riittävän lähelle asennusta varten. Vertaa niitä osaluetteloon.
- Käytä sopivia vaatteita ja suojavarusteita (esim. suojalaseja, hengitysuojainta ja käsineitä), kun sahaat, poraat, hioit, maalaat tai kokoat leikkivälineitä, ja erityisesti kun käsittelet painekyllästettyä puuta.
- Noudata työkalujen ja välineiden valmistajien ohjeita ja suosituksia.
- Älä seisoo tasanteella ennen kuin leikkiväline on koottu valmiiksi, käytä tikkaita apuna, mikäli et yletä riittävän korkealle.
- Välineet on kiinnitettävä vankasti, jotta ne eivät pääse kaatumaan. Jos maaperä on pehmeää, rakenteet on valettava kiinni sementtiin. Huolehdi siitä, että maa-ankkurit eivät ole maan pinnan yläpuolella, koska lapset voivat kompastua niihin.
- Katkaise ruuvien ja muiden kiinnittimien esiin työntyvät päät metallisahalla. Poista terävät reunat metalliviivalla.
- Hio puutavara hiomapaperilla. Pyöristä kaikki kulmat hiomapaperilla tai metalliviivalla.
- Älä kiinnitä välineisiin lisäosia, kuten köysiä tai ketjuja.
- Älä yhdistä muiden valmistajien tuotteita ja Jungle Gym® -tuotteita, koska turvallisuus voi heikentyä.
- Kiinnitä vain RopeLock™-lukkoja Jungle Gym® -keinin koukkuihin. Älä käytä RopeLock™-lukkoja muihin tarkoituksiin, esimerkiksi vuorikiipeilyyn tai kuormien vetämiseen.
- Swing Hook LS-kokkujen kierrepää täytyy ruuvata tiiviisti kiinni yläpalkkiin. On tärkeää muistaa kohdistaa koukku oikeaan asentoon. Väärin asennettu tai kohdistettu koukku voi särkyä, tai irrota ja aiheuttaa loukkaantumisia!
- Heiluvien välineiden (esimerkiksi keinin istuimen) etäisyyden maasta on oltava vähintään 35 cm.
- Välineiden ja rungon välisen etäisyyden täytyy olla vähintään 30 cm.
- Keinin koukkujen välisen etäisyyden täytyy olla 45 cm.
- Heiluvien osien välisen etäisyyden täytyy olla 45 cm.
- Kiipeilyköysi tai köysitikkaan on kiinnitettävä sekä ylä- että alapäästä, koska lapsi voi sotkeutua vapaasti riippuvaan köyteen.

## TARKASTUS JA HUOLTO

Leikkivälineiden turvallisuus on tarkistettava kauden alussa ja käytön aikana kaksi kertaa kuukaudessa. Jos kuntotarkistuksia ei tehdä säännöllisesti, leikkiväline saattaa kaatua tai olla muulla tavalla vaaraksi.

### Puuosat

- Etsi säleitä ja mahdollisia rakennevikoja.

- Lahosuojaa puutavara ajoittain. Älä käytä maalia, joka on kuivessaan liukasta.

### Metalliosat

- Tarkista kiinnitysten kireys. Varoitus: liiallinen kiristäminen puristaa puuta kokoon, jolloin se halkeilee.
- Tarkasta onko kiinnikkeissä, kannattimissa tai keinin koukuissa ruostetta, joka voi heikentää lujuutta. Vaihda tarvittaessa.
- Tarkista maa-ankkuruiden kiinnitys. Vaihda tai kiinnitä uudestaan paikolleen tarvittaessa.

### Varusteet (jos käytössä)

- Tarkasta, että RopeLock™-lukot on kiinnitetty oikein keinin koukkuihin. RopeLock HC-lukkojen tarkistus: riipu täydellä painollasi pari sekuntia erikseen jokaisen köyden varassa. RopeLock SC-lukot: istu väliin päälle täydellä painolla pariksi sekunniksi. Jos kuuluu kitinää, voitele RopeLock HC-lukot vai tai kasvipohjaisella öljyllä, esimerkiksi oliiviojyllä.
- Tarkista keinin istuimen ja tankojen sekä köysien kunto. Jos köydessä on merkkejä kulumisesta, tarkasta onko säikeitä katkennut. Tarkista Baby Swing-keinin turvavyö. Vaihda tarvittaessa.
- Tarkasta liukumäen kiinnitys. Kiipeilyköydet voivat tarttua kiinni ja aiheuttaa vaarallanteen.
- Kaikki varusteet voi pestä lämpimällä vedellä ja miedolla pesuaineella. Erittäin likaisen liukumäen voi pestä painepesurilla. Älä kuitenkaan vahingoita pintaa.

### Turvallinen leikkialue

- Tarkasta, että iskuja vaimentava pinta ei ole painunut liian tiiviiksi. Möyhennä tarvittaessa. Täytä esimerkiksi keinin alla olevat kuopat.
- Tarkasta välineiden vakausta.
- Tarkasta, onko ympäristössä riippuvia oksia, pyykkinaruja tai irtonaisia materiaaleja.

### Ympäristönsuojelu

Älä polta välineiden puuosia. Hävitä metalliosat turvallisesti. Painekyllästetty, petsattua tai maalattua puuta ei saa polttaa, koska ympäristö voi saastua. Toimita puutavara keräilyyhteisöön.

## TURVALLINEN KÄYTTÖ

### Huomio:

- Aikuisten on valvottava aina kaikenikäisten lasten leikkejä.
- Opetta lapset leikkimään turvallisesti.
- Jungle Gym® -tuotteet on suunniteltu kolmesta kymmenvuotiaalle lapsille, ellei ohjeissa ilmaista toisin.
- Älä pue lapsille asusteita, joissa on kiristysnyörejä, eikä löysiä vaatteita, koska ne voivat tarttua välineisiin.
- Vaaralliset tilanteet voidaan välttää maalaisjärkeä käyttämällä.

### Turvallinen käyttö (kuva 1)

1. Välineiden käyttöä on vältettävä kostealla säällä, koska pinnat voivat olla liukkaita, sekä myös pakkasella, jolloin pehmein pinta voi olla kirkova. Poista välineet ja varastoi ne lämpötilan laskiessa alle 0 °C.
2. Välineiden käyttö ohjeiden vastaisesti voi aiheuttaa tapaturman. Älä väännä tai kierrä köysiä, ketjuja tai muita varusteita. Niiden lujuus heikkenee ja niihin saattaa sotkeutua.
3. Neuvo lapsia:
  - Heiluvasta keinusta ei saa hypätä
  - Keinua tai muita välineitä ei saa heiluttaa tyhjänä
  - Vinossa keinumista on vältettävä
  - Välineistä ei saa riippua pää alapään
  - Liikkuvassa välineessä istuvaan lapseen ei saa tarttua eikä häntä saa pysäyttää
  - Liikkuvien välineiden lähelle, eteen, väliin tai taakse ei saa mennä.
4. Neuvo lapsia istumaan täydellä painolla keskellä keinin istuinta. Vain yksi lapsi kerrallaan saa käyttää yhtä keinua. Vakiotornissa saa leikkiä enintään kolme enintään 50 kg painosta lasta. Vakiotorni ja keinu: välineillä saa leikkiä enintään viisi enintään 50 kg painosta lasta. Välineiden rungossa ei saa riippua tai kiipeillä - putoamisvaara.
5. Välineiden rungossa ei saa riippua tai kiipeillä - putoamisvaara.
6. Leikkikentällä ei saa olla muita rakenteita eikä esteitä.
7. Jokaisen tason avoin osia lisää tapaturman vaaraa. Asenna tarvittaessa kahvoja tai kaiteita.
8. Neuvo lapsille, että mäkeä saa laskea vain istuen. Välineet voivat kuumentua voimakkaassa auringonpaisteessa. Tarkista lämpötila ennen leikkien aloittamista. Jäähdytä tarvittaessa vedellä.

### Tarvittavat työvälineet (kuva 2)

1. Mittanauha, 2. Timpurin kynä, 3. Metallisaha, 4. Puu- ja metalliviiva, 5. Sähköporakone, 6. Vasara, 7. Vatupassi

### Vakioruuviliitokset (kuva 3)

- Poraa ø 10 mm reiät kiinnitettäviin osiin.
- Vasaroi mutterin holkki reikäan. Mutterin ulostyöntävän holkinosan tulisi jäädä puun sisälle.
- Aseta joustolaatta pultin varren päälle ja aseta sen jälkeen tiivistelaatta ja pultin alaosa paikoilleen. Suorita ensikiristys kiristämällä pulttia mutterin käsin ennen sähköporan 13 mm hylsyn käyttöä kaikkien pulttien kiristämiseen siten, että joustolaatan jousiosa on tiiviisti pultin pään ja tiivistelaatan välissä. Kiinnitä pultin yläosan suoja paikoilleen.
- Mikäli pultti vaikuttaa liian lyhyeltä, kannattaa reiän ylempää osaa vastaporata puuosan paksuimmasta kohdasta ø 22 mm poralla 15 mm tai syvemmälle, jotta pultti uppoo riittävän syväle asennuksen lopuksi. Käsittele reikä peitsillä. Koska pultin pää on nyt upotettu, pultin yläosan suojaa ei tarvitse käyttää.
- Mikäli pultti vaikuttaa liian pitkältä, poista ulostyöntävä osa sahaamalla se iri rautasahalla. Hio terävät reunat tarvittaessa viillalla.

### Ohjausreiät (kuva 4a+4b)

Puun halkeilun estämiseksi ohjausreikien poraamista kaikille ruuveille suositellaan. Näiden ohjausreikien tulisi olla 10 mm ruuvien pituutta lyhyempiä.

### Puuruuvit (kuva 4a)

- Poraa ø 3 mm ohjausreiät puuruuveja varten.
- On tärkeää varmistaa, että kaikkien ruuvien päät ovat tasapinnassa puun pinnan kanssa ja teräviä reunoja ei ole.

### XL Stealth™ puristusruuvit (kuva 4b)

- XL Stealth™-uristusruuvia varten porataan ensin ø5 mm reikä molempiin kiinnitettäviin osiin.
- Tiivistelaatta ja ruuvien yläosa asetetaan pultin rungon päälle. Ruuvi asetetaan reikään ja kiristetään sähköporan T40 holkin avulla. Pultin yläosan suoja asetetaan paikoilleen.

Noudata varovaisuutta: älä kiristä pultteja ja ruuveja liian tiukalle!

Kovaputa käytettäessä voi olla tarpeen porata ohjausreiät hiukan isommiksi, puun tiheydestä riippuen

040\_805\_GSI\_IL\_0300\_20120911\_nIA

## SIGURNOSNE UPUTE

Čestitamo na kupnji ovoga Jungle Gym®. Ovim Jungle Gym® kompletom moći ćete napraviti siguran sklop za igru koji će Vašu djecu u travu zabavljati dug niz godina.

Svi proizvodi Jungle Gym konstruirani su u skladu s EN 71-1, -2, -3, -8 & -9 (Europski sigurnosni standard za igračke) za privatnu uporabu pod uvjetom da se sve sastavi i ispravno koristi u skladu s ovim uputama. Ne odstupajte od ovih nacrti niti ne mijenjajte konstrukciju.

Upozorenja. Samo za kućansku uporabu. Samo za vanjsku uporabu. Maksimalna težina korisnika je 50 kg. Nije prikladno za djecu mlađu od tri godine. Prikladno za djecu staru od tri do deset godina.

Ovaj proizvod namijenjen je samo za obiteljsku uporabu kod kuće. Korisćenje u javnom okruženju poput parka, dječjeg igrališta ili škole smatra se nenamjenskom uporabom proizvoda.

Brižljivo pročitajte ove upute za sastavljanje prije nego što počnete sa sastavljanjem i sačuvajte ih za buduću uporabu.

## SIGURNOSNE UPUTE

### Greda

- Sve rezane površine i krajeve obradite sredstvom za vanjsko konzerviranje drveta kako biste spriječili truljenje čak i kada koristite drvo obrađeno pod tlakom.
- Obratite posebnu pozornost na dijelove koji dolaze u dodir sa zemljom.
- Sve suprotne potopne rupe i rupe za Rope Ladder (ljestve od špage) ili Climbing Rope (uže za penjanje) obradite bojom.

### Sigurno područje za igru

- Postavite playset na nepopločan čvrstoj površini, kao što su travu ili čvrste sloj pijeska. Svoj komplet za igru ne postavljajte preko betona, šljunka, asfalta ili bilo koje druge tvrde površine.
- Površina tla mora biti ravna; čak i najmanja izbočina može uzrokovati dodatno naprezanje spojeva i zglobova.
- Sigurno područje za igru odnosi se na zonu koja se rasprostire
- 200 cm iza kompleta za igru na sve strane. U nastavku se nalazi popis preporučanih podnih obloga unutar sigurnoga područja za igru.

Predloženi materijal	Minimalna nekomprimirana dubina
Dvostruko ustijeni mač	50 cm
Jednolični komadići drveta	50 cm
Sitni šljunak	50 cm
Sitni pijesak	50 cm
Travu	

- Uklonite sve opasnosti od spoticanja kao što su kamenje, korijenje itd. sa sigurnog područja za igru.
- Na sigurnom području za igru ne smiju se nalaziti nikakve konstrukcije, ograde, garaže, kuće, viseće grane, konopci za rublje, električne žice druge prepreke.
- Ne postavljajte svoj komplet za igru u smjeru staza ili prolaza.
- Svaki korišteni rub koji sadrži podnu oblogu mora se nalaziti iza sigurnoga područja za igru (krajobrazno drveće ili drugi rubovi).

### Sigurna instalacija

- Djeca bi trebala ostati izvan područja rada dok se sigurno područje za igru ne očisti od prepreka, komplet za igru potpuno ugradi, svi sklopovi zategnu i provjere te pokupe svi alati i druge stvari koje ne spadaju u područje za igru.
- Za podizanje i držanje greda, okvira i drugih teških sklopovapotrebne su najmanje dvije odrasle osobe.
- Provjerite sve dijelove i grupirajte ih sustavno u području dosega. Usporedite ih s popisom dijelova.
- Nosite prikladnu odjeću i sigurnosnu opremu (npr. sigurnosne naočale, masku za prašinu, rukavice) dok pilite, bušite, brusite, bojite ili sastavljate.
- Slijedite sigurnosne preporuke proizvođača za alate i opremu koju koristite.
- Ne stojte na postolju dok komplet za igru u potpunosti ne sastavite.
- Izbjegavajte sastavljanje u lošim vremenskim uvjetima.
- Komplet za igru mora biti sigurno usidren kako bi se spriječio prekratanje ili guranje. Cementiranje je potrebno ako uvjeti tla dopuštaju da se stupovi izvuku s lakoćom. Uverite se da podna sidra ne strše iz tla.
- Nakon sastavljanja uverite se da koristite pilu za metal kako biste odrezali sve stršeće navojne krajeve vijaka i drugih stezača. Sveoštre bridove uklonite turpijom za metal.
- Kako biste spriječili odlamanje, drvo prebrusite brusnim papirom. Brusnim papirom ili turpijom za metal također izgladite sve uglove do polumjera od 3 mm.
- Ne umećite dodatne elemente u ovaj Jungle Gym® kao što su konopci, lanci, teški kabeli ili drugo.
- Ne kombinirajte proizvode drugih proizvođača s proizvodima Jungle Gym®.
- Rope Locks™ koristite samo u kombinaciji s Jungle Gym® Swing Hooks (kukama njihovke). Rope locks™ ne koristite za druge namjene kao što su planinarenje ili vuča tereta.
- Navoj vijaka Swing Hook LS (kuke njihovke LS) mora se potpuno zavrtnuti u drvo. Važno je da Swing Hook (kuka njihovke) postavite u pravilan položaj.
- Udaljenost između pribora njihovke (npr. sjedalice za njihovku) i tla trebala bi biti najmanje 35 cm.
- Udaljenost između pribora i okvira trebala bi biti najmanje 30 cm.
- Udaljenost između Swing Hooks(kuka njihovke) trebala bi biti najmanje 45 cm.
- Udaljenost između pribora za njihanje trebala bi biti najmanje 45 cm.
- Climbing Rope (Konopac za penjanje) ili Rope Ladder (ljestve od konopca) uvijek bi trebali biti osigurani kako na vrhu tako i na dnu jer slobodno viseći konopac možeuzrokovati davljenje. Konopci se ne bi smjeli sami zapetljati.

## PROVJERA I ODRŽAVANJE

- Da osigurate sigurnost, komplet za igru treba podvrgnuti gore spomenutim sigurnosnim provjerama jedanput na početku svake sezone te zatim dva puta mjesečno tijekom sezone korištenja. Premjestite ili

zategnite sve dijelove ako je potrebno. Zamijenite sve dijelove u slučaju oštećenja. Ako se servisne provjere ne obavljaju redovito, aktivacijska igračka može se prevrnuti ili uzrokovati opasnost na neki drugi način.

### Drvene komponente

- Provjerite odlamanje i moguće druge konstrukcijske kvarove.
- Drvo održavajte povremenom primjenom vanjskog sredstva za konzerviranje drveta kako biste spriječili truljenje. Ne koristite boju ili drugo sredstva za završnu obradu koja mogu uzrokovati sklisku površinu.

### Metalni dijelovi

- Provjerite sve metalne dijelove kako biste bili sigurni da su zategnuti. Oprez: previše zategnuti metalni dijelovi lome vlakna drveta zbog čega dolazi do napuklina u daskama.
- Provjerite korodiranost preostalih metalnih dijelova, nosača i kuka njihovke.
- Provjerite podna sidra kako biste bili sigurni da su zategnuta.
- Provjerite jesu li u pokrovima prisutni vijci i oštri bridovi.

### Pribor (ako je prikladno)

- Provjerite jesu li Rope Locks™ pravilno priključene na Jungle Gym® Swing Hooks (kuke njihovke). Provjerite Rope Locks SC (zasune za konopac HC),objesite se svojom punom težinom tijela na svaki pojedini konopac za njihovku nekoliko sekundi. Provjerite Rope Locks SC (zasuni za konopac SC) sjedeći na sklopu nekoliko sekundi. Ako dođe do bilo kakvog škripanja, Rope Locks HC (zasuni za konopac HC) mogu se navlažiti vodom ili biljnim uljem kao što je maslinovo ulje.
- Provjerite čvrstoću sjedalice i šipki njihovke. Provjerite konopcijihajlike na habanje ili ekstremno stvaranje vlakana. Kako biste provjerili konopac,provjerite kabele gdje je došlo do habanja zbog sigurnosti provjerite jesu li niti puknute. Provjerite sigurnosni remen Baby Swing (dječje njihovke).
- Provjerite priključak klizača na platformi s obzirom na otvore u kojima se primjerice mogu zaglaviti odjeća ili uzice jakni s kapuljačom.
- Sav pribor može se čistiti toplom vodom i blagim deterdantom. Teško onečišćeni klizači mogu se očistiti visokotlačnim čistačem. Budite oprezni kako ne biste oštetili kliznu površinu i drvo.

### Sigurno područje za igru

- Provjerite je li površina za apsorpciju udarca previše komprimirana, popustite je ako je potrebno. Napunite sve rupe (npr. pod sjedalnicama njihovke).
- Provjerite stabilnost kompleta za igru.
- Provjerite prisutnost visećih grana, konopaca za rublje, labavih materijala na sigurnom području za igru.

### Zaštita okoliša

- Sve metalne dijelove zbrinite bez stvaranja opasnosti. Ne spaljujte pod tlakom obrađeno, obojeno drvo sami, odnesite ga na mjesto za zbrinjavanje.

## SIGURNA IGRA

### Pozor

- Za djecu je svakodobno potreban nadzor odrasle osobe.
- Naučite djecu da se igraju sigurno.
- Obucite djecu prikladno, izbjegavajte pribor, odjeću s vrpčama za stezanje, labavu odjeću i stegnute predmete. Nošenje biciklističkih kaciga nije dopušteno.
- Postupajte razumno kako biste izbjegli bilo koju moguću nesigurnu situaciju.
- Proizvodi Jungle Gym® konstruirani su tako da ih mogu koristiti djeca starosti od 3 do 10 godina ako nije naznačeno drugačije.

### Sigurna igra (sl. 1)

- Na opremi se ne smije igrati u mokrim ili hladnim vremenskim uvjetima. Pribor treba odnijeti unutra ako temperature padnu ispod 0° C.
- Komplet za igru ili pribor ne koristite nenamjenski. Ne uvijajte niti ne omatajte njihovke, lance, konopce ili bilo koji drugi pribor. Uvijanje može smanjiti snagu pribora i uzrokovati zaglavljavanje.
- Upozorite djecu da NE:
  - skaču s njihovki dok se one kreću
  - ne njihšu prazne sjedalice ili drugi prazan pribor
  - njišu pod kutom
  - ne vise naglevažke iz bilo kojeg dijela kompleta za igru
  - hvataju ili zauzavljaju drugo dijete na bilo kojoj pokretnoj opremi
  - hodaju u blizini, ispred, između ili iza pokretljivog pribora
- Upozorite djecu da sjede u središtu pribora za njihanje sa svojom punom težinom na sjedalici. Dopušteno je samo jedno dijete po sjedalici. Standardni toranj: dopušteno je najviše3 djeteta na kompletu za igru u isto vrijeme s maksimalnom težinom svakoga od 50 kg. Standardni toranj + Add-on Jungle Gym Module (dodatni modul Jungle Gym): najviše 5 djece (svako maks. 50 kg).
- Penjanje na vrh krova ili na vrh okvira Modulene bi se smjelo dopuštati.
- Područje za igru mora biti oslobođeno od svih konstrukcija i prepreka.
- Sigurnosni rizici mogu se znatno smanjiti ako pravilno koristite priložene sigurnosne komponente poput rukohvata, sigurnosnih šipki i letvica za ogradu.
- Ne dopustite djeci da se ne spuštaju na bilo koji drugi način osim sjedeći i gledajući naprijed. Izbjegavajte izlaganje tobogana južnom sunčevu svjetlu. Sve komponente mogu postati vrlo vruće kada se izlažu direktnom sunčevu svjetlu. Uvjerite se da komplet za igru nije vruć prije nego što djeci dopustite igranje. Ako je potrebno, tobogan treba ohladiti vodom i osušiti prije korištenja. Ne koristite vodu na toboganu kako biste povećabilzinu.
- Ne priključujte ništa na komplet za igru što nije dopustila tvrtka Jungle Gym®, primjerice konopac za rublje, električne uređaje, labave konopce ili lance itd.

### Potrebni alati (sl. 2)

- Mjerna traka, 2. Olovka, 3. Šjekira/pila za drvo, 4. Turpija za drvo i metal, 5. Električna bušilica, 6. Čekić, 7. Vodena libela

### Standardni vijčani spojevi (sl. 3)

- Izbušite rupu ø 10 mm u dijelovima za pričvršćivanje. Postavite trup zavarenog utora u rupu.
- Postavite elastičnu podlošku preko tijela vijka te nakon toga plosnatu podlošku i donji dio kape vijka. Pripremno zatezanje vijka u zavarenu

maticu počnite rukom. Zatim upotrijebite 13 mm spojnicu u električnoj bušilici kako biste zategnuli svaki vijak dok se opružna akcija opružne podloške potpuno ne komprimira između glave vijka i plosnate podloške. Zatvorite osnovu vijka zaštitnim pokrovom.

- Ako je vijak prekratak, suprotno izbušite gornji dio rupe u najdebljem dijelu drveta svrdlom ø 22 do dubine od maks. 15 mm. Vijak će se zatim utisnuti nakon sastavljanja. Obradite rupu bojom. Budući da je glava vijka sada upuštena, nema potrebe za korištenjem zaštitnog pokrova za vijak.
- Ako je vijak predugačak, stršeći kraj treba ukloniti tako da ga odrežete pilom za metal. Ako se pojave oštri bridovi, upotrijebite turpiju.

### Vijci za drvo (sl. 4.a)

- Izbušite ø 3 mm provodne rupe za vijke za drvo. Rupe bi trebale biti 10 mm kraće od duljine vijaka. Za tvrdo drvo možda će biti potrebno izbušiti provodne rupe duljeg promjera ovisno o gustoći drveta.
- Uvjerite se da su glave svih vijaka poravnane s površinom i da nema oštrih bridova.

### XL Stealth™ stezači (sl. 4.b)

- Izbušite ø 5 mm provodnu rupu kroz oba dijela.
- Stavite osnovu pokrova vijka preko tijela vijka. Umetnite vijak i upotrijebite T40 nastavak za zatezanje. Zatvorite osnovu vijka zaštitnim pokrovom.

Oprez: vijke i matice ne zatežite previše!

Jungle Gym® kompleti sadrže dijelove kojima se u kombinaciji s drvom mogu napraviti kompleti za igru, ako se strogo slijede upute za sastavljanje, komplet za igru bit će skladan s EN 71-1, -2, -3, -8 i -9. Drvo nije priloženo. Tobogani se prodaju odvojeno. Upozorenje: ne instalirajte iznad betona, asfalta ili bilo koje druge tvrde površine. Prikladno samo za kućnu uporabu. Ovaj proizvod može odstupati od prikaza na fotografiji. Specifikacije podložno promjenama bez prethodne obavijesti

Kada se koristi tvrdo drvo, možda će biti potrebno bušiti pilot rupe s većim promjerom, ovisno o gustoći drveta.

040\_805\_GSI\_hr\_0300\_20120911\_n1a

hr

# ÁLTALÁNOS BIZTONSÁGI UTASÍTÁSOK

Gratulálunk, hogy a Jungle Gym® összeszerelhető készlet megvásárlása mellett döntött. Ennek a Jungle Gym® készletnek a segítségével gyorsan össze tudja állítani a biztonságos játékgarnitúrát, ami sok éven át garantáltan örömet okoz majd gyermekeinek.

A Jungle Gym® készletek különleges fejlesztésű vasalást tartalmaznak. Az anyagokat rendkívül körültekintően terveztük, melynek során gyermekeinek biztonságos elsődleges jelentőségű volt számunkra. A vasalásoknak nincsenek hegyes szögei vagy kiálló elemei, ugyanakkor az időjárás mindentelibe behatása ellen védettek. A készletek minden egyes eleme azért a feltételül felel meg a magáncélú felhasználásra vonatkozó EN 71-1,-2,-3,-8 & -9 (Európai Biztonsági Szabványnak), hogy a játszótéri berendezést a közikönyvnek megfelelően szerelik össze és alkalmazzák. Ezekről a tervezőktől ne térjen el, illetve az eredeti konstrukción ne változtasson.

Figyelmeztetések. Csak otthoni használatra! Csak kültéri használatra. A használat testsúlya max. 50 kg lehet. Csak három évnél idősebb gyermekek számára alkalmas. Három és tíz év közötti gyermekek számára.

Ezt a terméket kizárólag családi használatra szántuk. Nyilvános helyen történő felállítása nyilvánvalóan a termék nem rendeltetészerű használatát jelenti.

Összeszerelés előtt gondosan olvassa el a szerelési utasításokat, majd őrizze meg azt a jövőben történő tájékozódás céljából.

## BIZTONSÁGI UTASÍTÁSOK

### Fűrészáru

- A fa rothadástól történő megóvása érdekében minden fűrészelési felületen és végen alkalmazzon kültéri alkalmazásra szánt fa konzerváló anyagot; akkor is, ha nyomásképzett fát használ.
- Különösen figyeljen a talajjal érintkező elemekre.
- Ugyancsak kezeljen páccal minden süllyesztett furatot és a kötéllelérához vagy a mászkötélhez szükséges furatot is.

### Biztonságos játékerület

- Helyezze a playset egy burkolatlan stabil felületre, mint a fű, vagy egy szilárd réteg homokot. Ne telepítse játékgarnitúráját betonra, kavcsra, aszfaltra, vagy bármely más kemény felületre.
- A talaj felszíne legyen vízszintes. Ha játékgarnitúrát lejtős talajra telepíti, az megdőlhet vagy „kifordulhat”. Ez a megdőlés pedig további igénybevételt ró minden kötésre és kapcsolódásra, melynek eredményeként azok idővel meglazulnak és tönkremennek.
- A biztonságos játékerület olyan zónát jelent, amely minden oldalon 200 cm-nyivel túlnyúlik a játékgarnitúrán. A kemény felületre való esés súlyos sérülést okozhat. A talajtakarót a biztonságos játékerületen belül kell elhelyezni. A javasolt terepfedő anyagok jegyzéke a következő:

Javasolt anyag	Működés	50 cm-nél mélyebb
Kettős talajtakaró morzsolt fakéregből	50 cm	50 cm
Egységes faforgács	50 cm	50 cm
Finom kavics	50 cm	50 cm
Finom homok	50 cm	50 cm
Fűves		

- A biztonságos játék érdekében, a játékerület legyen mentes mindenféle építmenytől, kerítéstől, garázstól, háztól, benyúló faágtól, szártökötől, villanydróttól és egyéb akadálytól.
- A játékgarnitúrát ne telepítse járdák vagy átjárók irányába.
- Minden, a talajtakarót körbevevő szegély a biztonságos játékerületen túl kell, hogy legyen (tájtervezési faanyagok vagy más szegélyek).

### Biztonságos felállítás

- A gyermekek maradjanak távol a munkaterülettől, amíg a biztonságos játékerületről el nem távolítottak minden akadályt, a játékgarnitúrát teljesen fel nem állították, minden elemet meg nem húztak és le nem ellenőrizték, és minden szerszámot vagy egyéb, a játékerülethez nem tartozó elemet össze nem szedtek.
- A játékgarnitúra felépítéskor legalább két felnőttre van szükség, hogy a hosszartókat, kereteket vagy egyéb nehezebb szerelvényeket felemeljék és a helyükön tartsák az összecsavazás előtt.
- Minden darabot ellenőrizzen, majd csoportosítson úgy, hogy azok elérhetőek legyenek. Hasonlítsa össze azokat az alkatrészjegyzékkel.
- Viseljen megfelelő ruházatot és védőfelszerelést (pl. védőszemüveg, porvédőmaszk és kesztyű), amikor a játékgarnitúrát fűrészi, fúrja, csiszolja, pácolja vagy összeszereli; különösen akkor, ha nyomásképzett faanyaggal dolgozik.
- Kövessze a gyártónak az Ön által használt eszközökre és berendezésekre vonatkozó biztonsági javaslatát.
- Ne álljon a padozatra addig, amíg a játékgarnitúrát teljesen össze nem szerelték; használjon háztartási létrát, ha nem tud elég magasra nyúlni.
- A játékgarnitúrát biztonságosan ki kell horgonyozni, hogy megakadályozzuk a játékgarnitúra felborulását vagy elmozdulását. Ha a talaj állaga miatt a cölöpök könnyen kihúzhatóak, akkor azokat be kell betonozni. Ügyeljen rá, hogy a talajhorgonyok ne álljanak ki a földből, mert a gyermekek felbukhatnak bennük.
- Összeszerelés után fűrészelje le minden csavar és egyéb rögzítő elem kiálló, menetes végét. Reszelje le az éles peremeket.
- A szállásodás megakadályozására csiszolópapírral munkálja meg a fa felületét, s a sarkokat is csiszolja le csiszolópapírral vagy fémreszelővel 3 mm-es sugárhosszúságúra.
- Erre a tomaszer-állványra ne szereljen fel további elemeket, mint például köteleket, láncokat vagy egyebet.
- Ne kombinálja más gyártók termékeit a Jungle Gym® termékekkel, mert ezzel csökkenhet a biztonság.
- A Rope Locks™-ot (kötélrögzítő elemek) kizárólag a Jungle Gym® hintahorgokhoz használja. Ne használja a Rope Locks™ kötélrögzítő elemeket más célra, például hegymászáskor vagy teher emelésére.
- A Swing Hook LS horog csavarját szorosan, egészen a keresztartóig be kell csavarozni a fába. Fontos, hogy a Swing Hook-ot a megfelelő helyzetbe állítsa. A nem megfelelően felszerelt vagy rosszul beállított hintahorog eltörhet vagy kicsúszhat, és sérülést okozhat!
- A lengő tartozékok (például hintaülés) és a talaj közötti távolság legalább 35 cm legyen.

- A tartozék és a keret közötti távolság legalább 30 cm legyen.
- A hintahorgok közötti távolság 45 cm legyen.
- A lengő tartozékok közötti távolság 45 cm legyen.
- A mászkötélet vagy kötélletrát mindig rögzíteni kell felül és alul is, mivel a szabadon függő kötél rácsomózódhat valamelyik tartóelemre és a gyerekek belegabalyodhatnak.

## ELLENŐRZÉS ÉS KARBANTARTÁS

A játékgarnitúrát használók biztonságának érdekében a játékgarnitúrát minden szezon elején, továbbá havonta kétszer a használat időszakában, az alábbi biztonsági ellenőrzéseket kell alátámasztani. Ha nem végezi el rendszeresen a karbantartási ellenőrzéseket, a tevékenységet igénylő játék felborulhat vagy más módon veszélyt okozhat.

### Fából készült elemek

- Ellenőrizni kell szálkák és más, esetleges szerkezeti hibák szempontjából.
- A fa rothadásának megelőzésére időnként a garnitúrát kültéri fakonzerváló anyaggal kell kezelni. Ne használjon olyan festéket, ami csúszós felületet eredményezhet.

### Vasalás

- Minden vasalást ellenőrizni kell, hogy meg van-e húzva. Figyelem: a túlságosan meghúzott vasalás a fa rostjait összenyomja, mely a deszkák hasadásához vezet.
- Ellenőrizze, hogy nem rozsdásodik-e a többi vasalás, konzol és hintahorog, mert ez befolyásolhatja a teherbíró képességet. Ha kell, cserélje ki őket.
- Ellenőrizze a talajhorgonyokat, biztonságosak-e. Ha kell, helyezze át vagy cserélje ki őket.

### Tartozékok (értelemszerűen)

- Ellenőrizze, hogy a Rope Locks™ kötélrögzítő elemek megfelelően vannak-e felszerelve a Jungle Gym® hintahorgokra. A Rope Locks HC ellenőrzéséhez függeszteszen teljes testsúlyával pár másodpercig külön-külön mindegyik hintakötélre. A Rope Locks SC oly módon ellenőrizhető, hogy teljes testsúlyával pár másodpercig az érintett tartozékra ül. Ha kell, cserélje ki. Ha bármiféle nyirkorgás hallható, a Rope Locks HC vízzel vagy növényi olajjal, például olívaolajjal megnedvesítheti.
- Ellenőrizze, hogy a hintaülések és a tartók sértetlenek-e, valamint a hinta köteleit kopás vagy rendkívüli mértékű szálképződés szempontjából. A kötél állapotának kellő megítéléséhez húzza szét a kötél pásmáit ott, ahol az megkopott, és tüzetesen ellenőrizze, vajon a szálak nem szakadtak-e el. Ellenőrizze a bébihinta biztonsági övét. Ha kell, cserélje ki.
- Ellenőrizze, hogy a csúszdának a padozathoz való illesztésénél nincsenek-e olyan rések, amikbe például a csuklyás dzsekiokról leelőző zsinórok beszorulhatnak, s így azokba a gyermekek belegabalyodhatnak.
- Minden tartozékot meleg vízzel és enyhé hatású tisztítószerrel lehet tisztítani. (A nagyon szennyezett csúszdák tisztíthatók nagyon yomású tisztítógéppel. (Ügyeljen rá, hogy ne károsítsa a csúszda felületét és a fából készült elemeket.)

### Biztonságos játékerület

- Ellenőrizze, vajon az ütéselnyelő felület nincs-e túlságosan összenyomódva, ha kell, lazítsa meg. Töltsön ki minden lyukat, nyílást, például a hinta üléséi alatt.
- Ellenőrizze a játékgarnitúra stabilitását.
- Ellenőrizze, nincs-e a környezetben közvetlen veszélyforrás, mint például belgő faágak, szártököttek, elszórt anyagok.

### Környezetvédelem

A játékgarnitúrák fából készült elemeit kiselejtezőskor nem szabad meggyújtani. Minden fémből készült elemet úgy kell kiselejtezni, hogy azzal ne teremessenek veszélyhelyzetet. Környezetünkbenyező volta miatt tilos magának a nyomásképzett, pácozt vagy festett fának az elgetése. Vigye el helyette a helyi személtérakóba.

## BIZTONSÁGOS JÁTÉK

### Figyelem:

- Mindenkor s mindenféle korú gyermeknek felnőtt felügyeletét kell biztosítani a játék helyszínén.
- Tanítsa meg a gyermekeket, hogyan kell biztonságosan játszani.
- Megfelelően öltöztesse gyermekeit. Kerülje az olyan kiegészítőket, húzózsinóros vagy lógó ruházatot, illetve a nyakba kötött zsinórral ellátott ruhadarabokat, amelyek valamelyik felszerelési tárgyba belegabalyodhatnak vagy arra ráakadhatnak. A játszótéri beren dezések használata előtt a kerékpáros sisakot is le kell venni.
- Végül, de nem utolsósorban: a józan ész használatával minden lehetséges veszélyhelyzet elkerülhető.
- A Jungle Gym® termékeket, hacsak másként nincs feltüntetve, 3 és 10 év közötti gyermekeknek tervezték.

### Biztonságos játék (1. ábra)

- Nedves időjárási viszonyok esetén, mivel ilyenkor esetleg csúszósak a felületek, illetve fogys időben, amikor még a legpuhább burkolat is nagyon keményvé válhat, ezeken a berendezési tárgyakon ne játsszanak. Amikor a hőmérséklet 0°C (32°F) alá süllyed, a tartozékokat le kell szerelni és be kell vinni zárt térbe.
- A játszótéri berendezéseknek vagy a tartozékoknak bármely, az eredeti elképzélelétől eltérő alkalmazása kárt, vagy akár sérülést is okozhat. A hintákak, láncokat, köteleket, vagy bármely más tartozékot ne csavarják, illetve tekerjék össze. A csavarás a tartozékok teherbírást csökkenti, s azt eredményezheti, hogy oda valaki beszorul.
- Figyelmeztesse a gyermekeket, hogy:
  - ne ugorjanak le a hintáról, amíg az üres buszban van,
  - ne lengessék az üres hintát vagy a többi üres tartozékot,
  - ne hintázzanak rézsútosan,
  - ne függesztedjenek fejjel lefelé a játszótéri garnitúra egyetlen eleméről sem,
  - ne fogjanak vagy állítsanak meg másik gyereket mozgásban lévő felszerelési tárgyon,
  - ne menjenek mozgó tartozékok közelébe, elé, közé, illetve mögé.
- Figyelmeztesse a gyermekeket, hogy a hinta középeres üljének úgy,

hogy teljes testsúlyuk az ülésre nehezedjen. A hinta minden ülésén egyszerre csak egy gyerek lehet. Szabványos torony: legfeljebb 3 gyerek játszhat egyidőben a játékgarnitúrán úgy, hogy egyenkénti testsúlyuk legfeljebb 50 kg. Szabványos torony, hintával egybeépítve: legfeljebb 5 gyerek játszhat egyidőben a játékgarnitúrán úgy, hogy egyenkénti testsúlyuk 50 kg.

5. Tilos a játékgarnitúra keretere felmászni vagy azon függeszkedni. Ha ottan leessen, komoly sérülés lehet az eredménye.

6. A játékerületen nem lehetnek építmenyek, illetve akadályok.

7. A padozaton minden elkerítetlen terület lehetséges baleseti kockázatot rejt. A kockázat jelentős mértékben csökkenthető további biztonsági elemekkel történő kiegészítéssel, mint például fogantyúk, biztonsági rudak és elrekesztő deszkák.

8. Ne engedje, hogy a gyermekek a csúszdán máshogyan is lecsúszzanak, mint ülőhelyzetben. El kell kerülni, hogy a déli nap rásüssön a csúszdára. Annak minden eleme felforrósodhat, ha közvetlen napfénynek van kitéve. Ügyeljen rá, hogy a játékgarnitúra ne legyen forró, amikor a gyerekeket odaengedi. Ha kell, a játékgarnitúra víz segítségével lehűthető, de használat előtt ilyenkor szárítsa meg.

### Szükséges szerszámok (2. ábra)

- Mérszólag, 2. Ceruza, 3. Fémfűrés, 4. Fa- és fémreszelő
- Villanyfűrő, 6. Kalapács, 7. Lézeres vízmérték

### szabványos csavarkötések (3. ábra)

- Fúrjon ø10 mm átmérőjű lyukat a rögzítendő elemekbe.
- Kalapáccsal hajtsa be a furatba a hegesztett anya testét. A hegesztett anya kiálló teste legyen benne a fában.
- Tege rá a csavar szárára a biztosítógyűrűt, ezután következik a lapos alátét és a csavarsapka alsó része. Kezdje a csavarnak a hegesztett anyagban kézzel történő előzetes meghúzásával, mielőtt a villanyfűrő 13 mm-es szűkítőbetétjét használná minden egyes csavar meghúzására, egészen addig, amíg a biztosítógyűrű rugója teljesen össze nem nyomódik a csavarfej és a lapos alátét között. Zárja le a csavarvédő sapkát annak tetejével.
- Ha kiderül, hogy a csavar túl rövid, azt tanácsoljuk, hogy ø22 mm átmérőjű fúrval készítsen ellentartót a furat felső részével szembe a fa legvastagabb részén 15 mm vagy nagyobb mélységig, így a csavar összeszerelés után süllyesztett lesz. Kezelje páccal a furatot. Mivel a csavarfej most már süllyesztett, nincs szükség a csavarvédő sapka használatára.
- Ha a csavar túl hosszú, a kiálló véget fémfűrés segítségével le kell vágni. Ha éles peremek maradnak vissza, használjon reszelőt.

### Vezetőfuratok (4. ábra)

A fa hasadozásának megakadályozására minden csavar esetében ajánlott vezetőfuratokat fúrni. Ezek a vezetőfuratok a csavaroknál ø10 mm-rel legyenek rövidebbek.

### Facsavarok (4.a. ábra)

- Fúrjon ø3 mm átmérőjű vezetőfuratot a facsavarokhoz.
- Rendkívül fontos megbizonyosodni arról, hogy minden csavar teteje egy szintben van a fa felszínével és nincsenek kiálló, éles peremek.

### XL Stealth™ négylapfejű facsavarok (4.b. ábra)

- XL Stealth™ Négylapfejű facsavarokhoz előbb fúrjon ø5 mm átmérőjű furatot mindkét rögzítendő elemre át.
- Helyezze el a lapos alátétet és a csavarvédő sapka alsó részét a csavar szarán. Tege a csavart a furatba és meghúzásakor használja villanyfűrője T40-es szűkítőbetétét. Zárja le a csavarvédő sapkát annak tetejével.

Figyelem: ne húzza meg túlságosan a fejecsavarokat és csavarokat!

Mikor keményít meg használnak nagyon fontos a fa előfúrása egy nagyobb átmérőjű fúrval, függően a fűrőszeléstől.

040\_805\_GSI\_hu\_0300\_2021020911\_riA



# ALMENNAR ÖRYGGISLEIÐBEININGAR

Til hamingju með kaupin á Jungle Gym® Do It Yourself kit (Gerðu það sjálfur samstæðunni). Þessi Jungle Gym® samstæða mun gera þér kleift að setja saman útleiktækni á tilförlulega stuttum tíma; og tryggja þannig árangur barnanna þinna um komandi ár.

Jungle Gym® samstæðan inniheldur sérstaklega þróaðar festingar. Þessar festingar eru hannaðar af mikilli alúð með öryggi barna þinna að leiðarljósi. Þessar festingar hafa engar skarpar brúnir eða aðra hluti sem skaga út og eru varðar gegn hverskyns áhrifum veðrunar. Allir hlutirnir í þessari samstæðu eru samkvæmt EN 71-1,-2,-3, -8 & -9 (Evrópskir öryggisstaðlar) fyrir leiktækni til nota í afgirtum einkalóðum eða á lokuðum svæðum, með því skilyrði að leiktækni séu rétt sett saman og notuð í samræmi við leiðbeiningarnar. Vikið ekki frá þessum leiðbeiningum eða breytið hönnuninni.

Varnaðarorð. Eingöngu fyrir einkanotkun í heimahúsum og á einkalóðum. Eingöngu til nota utanhúss. Hámarksþyngd notanda er 50 kg. Ekki við hæfi barna yngri en þriggja ára. Hentar börnum á aldrinum þriggja til tíu ára.

Þessi vara er eingöngu ætluð til nota í afgirtum einkalóðum eða á lokuðum svæðum (þ.e. í garð sem eingöngu ein fjölskylda hefur afnot af). Uppsetning í almenningsgöðum eða sameignargöðum (t.d. fyrir utan fjölbýlishús) eru hreinlega misnotkun vörunnar.

Lesið þessar leiðbeiningar vandlega áður en byrjað er á uppsetningunni og geymið leiðbeiningarnar þannig að hægt sé að fletta upp í þeim seinna.

## ÖRYGGISLEIÐBEININGAR

### Timbur

- Berið fúavarnarefni á allt endatré eftir að timbur hefur verið sagað, líka á gagnvörðu timbri.
- Gætið sérstaklega að þeim hlutum timbursins sem komast í snertingu við jörð.
- Berið líka fúavarnarefni í allar holur sem eru boraðar.

### Öryggisleiksvæði

- Settu playset á stöðugu ekki malbikaður undirlagi, svo sem gras eða föstu lag af sandi. Staðsetjið ekki leiktækni á steypu, grótri möl, malbiki, grýtum jarðvegi eða öðru hörðu undirlagi.
- Undirlag verður að vera slétt. Uppsetning á leiktækni í halla getur valdið því að það getur hallað eða hrúnið. Hallinn verður auka álagi á allar samsetningar og samkeyti og með tímanum verður það til þess að leiktækni losnar á samskeytunum.
- Öruggt leiksvæði vísar til svæðis sem nær 200 cm út fyrir leiktækni á öllum hliðum. Fall á hart undirlag getur leitt af sér alvarleg slys.
- Setjið undirlagið á öryggisleiksvæðið. Eftirfarandi er listi yfir undirlag sem mælt er með.

Ráðlagt efni	Öppjoppuð djúpt
Mulinn garðaurgangur	50 cm
Trjáskurl	50 cm
Fín möl	50 cm
Finn sandur	50 cm
Grasi	

- Öryggisleiksvæði þarf að vera laust við allar byggingar, girðingar, skúra, hangandi trjágreinar, þvottasnútur eða aðrar hindranir til þess að tryggja öruggt leiksvæði.
- Staðsetjið ekki leiktækni í gönguleið
- Hvers kyns brúnir til þess að afmarka undirlagið verða að veruðan öryggisleiksvæðisins (t.d. bjálkar, stiklur, hellur eða kantar)

### Örugg uppsetning

- Lesið vandlega þessar leiðbeiningar áður en þið hefjist handa við samsetninguna. Haldið börnum í burtu á meðan á samsetningu bendur og allar hindranir hafa verið fjarlægðar, samsetningu er lokið, allar boltar og sknúfur hafa verið tryggilega hertar og yfirfarnar og öll verkfæri hafa verið fjarlægð af leiksvæðinu.
- Tvo fullorðna þarf til við samsetningu leiktækisins til þess að lyfta og stöðja við súlur, bita og aðra þunga hluti leiktækisins. Samsetning á rólu tekur um 1 klst. en allt að 4 klst. tekur að setja saman turn og kastala.
- Athugið alla samsetningarhluti og flokkið þá skipulega og staðsetjið í seilingarfarlægð. Berið þá saman við hlutalistaðinn í leiðbeiningunum.
- Notið nauðsynlegan hlífðarfatnað og hlífðarbúnað (gleraugu, hanska o.þ.h.) þegar þið sagið, borið, steypið undirstöður og setjið saman leiktækni.
- Fylgið leiðbeiningum framleiðenda um notkun þeirra verkfæra sem þið notið við samsetninguna.
- Standið ekki á pallinum fyrr en leiktækni hefur verið fullkomlega sett saman, notið tröppu ef ekki er hægt að ná nógu hátt upp.
- Leiktækni þarf að festa tryggilega niður til að koma í veg fyrir að það falli eða að hægt sé að fella það. Festið leiktæknið ávallt á steyptar undirstöður. Gætið þess að steyptu undirstöðurnar standi ekki upp fyrir jarðveginum.
- Eftir að samsetningu er lokið er nauðsynlegt að sarga alla útskagandi enda á boltum og öðrum festingum. Fjarlægjið allar skarpar járnbrúnir með járnþjöf.
- Til að forðast flisar úr timbrinu er nauðsynlegt að þússa yfirborðið með sandpappír og mykja allar brúnir þess þannig að brúnirnar hafi sem næst 3mm radíus.
- Bætið ekki auka hlutum við leiktækni eins og reipum, keðjum eða öðrum hlutum.
- Tengjið ekki vörur frá öðrum framleiðendum við Jungle Gym® leiktækni vegna þess að það getur dregið úr öryggi.
- Notið eingöngu RopeLocks™ með Jungle Gym® rólurókum. Notið ekki RopeLocks í öðrum tilgangi.
- Sknúfingurinn á rólufestingunum (Swing hook LS) verður að vera sknúfaður kyrrilega í láréttu bitann yfir rólunni. Mjög mikilvægt er að rólurókurinn sé settur í rétta stöðu. Rólurókur sem er ekki rétt komið fyrir getur losnað og dottið úr og valdið slysum.
- Bilið milli rólulíhuta (t.d. rólusetu) og jarðar verður að vera a.m.k. 35 cm.
- Bilið milli rólulíhuta (t.d. rólusetu) og rólurindrar verður vera a.m.k. 30 cm.
- Bilið á milli róluróka á að vera 45 cm
- Bilið á milli róla á að vera 45 cm
- Klifureipi eða klifurstigi þurfa altaf að vera fest bæði að ofan og neðan, vegna þess að laust reipi er hægt að hnýta í snöru og börn geta flækst í henni

## EFTIRLIT OG VIÐHALD

Til þess að tryggja öryggi þeirra sem nota leiktækni þarf að fylgja neðan-skráðum öryggisatriðum við eftirlit leiktækisins, við upphaf leiktímabils og tvisvar í hverjum mánuði á meðan á notkun leiktækisins stendur. Ef viðhaldsskoðun fer ekki fram reglulega getur leiktækni ollið eða valdið hættu með öðrum hætti.

### Timburhlutir

- Lítið eftir flisum og öðrum göllum í timbrinu.
- Viðhaldið fúavörn timbursins til að koma í veg fyrir fúa. Gætið þess að nota ekki málingarefni sem mynda hátt yfirborð.

### Festingar

- Athugið að allar festingar séu vel hertar. Athugið að ofhertar festingar merja timbrið þannig að flisar geta staðið út úr yfirborði þess.
- Athugið alla hluta leiktækisins og hugið að því hvort ryð hefur myndast sem rýrt getur styrk þeirra. Skiptið um hluti ef nauðsynlegt reynist.
- Hugið að undirstöðum.

### Fylgihlutir (ef við á)

- Athugið hvort RopeLocks™ eru rétt settir á Jungle Gym® rólurókana. Til að kanna hvort ekki er allt í lagi með RopeLocks HC er best að hanga í hvoru rólureipi fyrir sig af
- Fullum þunga í nokkrar sekúndur. Til þess að athuga ástand RopeLocks SC er hægt að setjast í róluna í nokkrar sekúndur. Skiptið um ef nauðsyn ber til.
- Ef eitthvað marr heyrst má bleyta RopeLocks HC með vatni.
- Athugið hvort rólusæti og stengur eru óskemmd og hvort rólureipi sé farið að trosna. Til þess að geta skoðað reipið gaumgæfilega, opnið þá þræðina í reipinu þar sem trosnunin er og athugið vel hvort þræðirnir séu slitnir. Athugið öryggisbeltið í barnarólunni. Skiptið um hluti ef nauðsynlegt reynist.
- Athugið festingar rennibrautar við timbrið og athugið hvort nokkrar sprungur hafa myndast í rennibrautinni þar sem að úlpuhettur gætu fest og valdið slysum.
- Alla fylgihluti má hreinsa með heitu vatni og mildum hreinsiefnum. Mjög óhreinir rennibrautir má hreinsa með háprýstvatni. (Gætið þess að skemma ekki yfirborð rennibrautar.)

### Öryggisleiksvæði

- Aðgætið hvort það jarðvegsyfirborð sem verður fyrir álagi hefur þjappast óheppilega mikið og losið um það ef nauðsynlegt reynist. Yllið upp í þær holur sem gætu hafa myndast, t.d. undir rólunni.
- Athugið hvort leiktækni sé stöðugt.
- Aðgætið nánasta umhverfi eins og t.d. trjágreinar sem hangið geta yfir leiktækni, þvottasnútur í óheppilegri nálægð og laust efni á leiksvæðinu.

### Umhverfisvernd

Aldrei ætti að kveikja í viðarhlutum úr leiktækni þegar losa á sig við þá. Losið ykkur við allar festingar þannig að þeir valdi ekki slysaheitu. Það er ekki leyfilegt að brenna gagnvarið timbur eða timbur sem hefur verið meðhöndlað á einhvern annan hátt vegna umhverfismengunar. Losið ykkur við það á næstu endurvinnslustöð eða sorpstöð.

## ÖRUGGUR LEIKUR

### Athugið:

- Fullorðnir ættu ætíð að leiðbeina börnum og fylgjast með þeim þegar þau leika sér í leiktækni.
- Kennið börnunum að leika sér á öruggan hátt.
- Klæðið börnin á viðeigandi hátt. Forðist laus bönd, reimar og annað sem flækst getur í leiktækni eða krækst í hluta þess. Einnig skal taka reiðhjólahljálma af áður en leikið er í leiktækni.
- Síðast en ekki síst beitið heilbrigðri skynsemi til að tryggja öryggi barnanna ykkar
- Jungle Gym® vörurnar eru framléiddar fyrir börn 3 til 10 ára, nema annað sé tekið fram.

### Öruggur leikur (skýringarmynd 1)

1. Leiktækni ætti ekki að nota í rigningu því að hlutar þess geta orðið hættulega hálr í bleytu eða í frosti því að jafnvel mýksta jarðvegsyfirborð getur breyst í mjög harðan flöt í frosti. Fylgihluti tækisins ætti að taka inn þegar hitinn fer niður fyrir frostmark.
2. Notkun leiktækisins eða fylgihluta þess á annan hátt en til er ætlast getur leitt til skemmda og jafnvel meiðsla. Ekki snúa upp á eða beygja róluna, keðjur, reipi eða aðra fylgihluti leiktækisins þar sem það getur dregið úr styrk þeirra og myndað slyslagidrur.
3. Varið börnin við að:
  - Stökva úr rólu á ferð.
  - Sveifla tómun rólum eða öðrum tómun fylgihlutum.
  - Sveifla sér til hliðar
  - Hanga á hvolvi á leiktækni.
  - Gripa í eða stöðva önnur börn sem eru að róla sér í leiktækni.
  - Ganga nálægt, fyrir framan, á milli eða fyrir aftan hluti á hreyfingu.
4. Brynið fyrir börnunum að sitja í miðjum rólunum með fullan líkamspungann á rólusætinu. Aðeins á eitt barn að sitja í hverju sæti í einu. Í hverjum turni ættu einungis 3 börn að leika sér í einu m.v. að hvert barn sé að hámarki 50 kg. Í turni sem róla er tengd við ættu einungis 5 börn að leika sér m.v. að hvert barn sé að hámarki 50 kg.
5. Bannað er að klifra eða hanga utan á leiktækjunum. Slíkt getur leitt til alvarlegra meiðsla.
6. Leiksvæðið á að vera laust við öll mannvirki og hindranir
7. Gætið þess að hafa sem minnst op á palli leiktækisins þar sem slíkt eykur ætíð hættu á slysum. Handföng, handrið o.þ.h. getur dregið verulega úr slysaheitu.
8. Leyfið börnunum aldrei að renna sér niður rennibrautina á annan hátt en sitjandi. Best er að snúa rennibraut ekki beint á móti sóli til að forðast að hún hitni óþægilega. Allir hlutir sem sólin skín á geta hitnað óþægilega. Gætið þess að leiktækni sé ekki óþægilega heitt áður en börnin leika sér í því. Kæla má leiktækni með vatni og þurrka það síðan fyrir notkun ef þurfa þykir.

### Nauðsynleg verkfæri (skýringarmynd 2)

1. Málband, 2. Blýantur, 3. Sög, 4. Þjalir fyrir járn og tré
5. Tréborar 3 og 5 mm ásamt rafmagnsborvél, 6. Hamar, 7. Vatnsgigill

### Staðlaðar stálboltfestingar (skýringarmynd 3)

- Borið Ø 10 mm holu í þann hluta sem á að festa í.
- Sláið boltahulsuna með hamri í holuna, þannig að tennurnar á hulsukraganum stingist í timbrið og hulsan sitji þannig tryggilega
- Setjið spenniskinnu upp á stálboltann, því næst sléttu skinnu og loks plastskinnuna fyrir plastlokkið upp á boltann. Byrjið að festa boltann með höndunum í boltahulsuna og herðið hann svo með 13 mm herslu-lykli í rafmagnsborvél, þar til plastskinnan stur þétt undir boltahausnum. Plastlokkinu yfir boltahausinn er síðan smelli á sinn stað.
- Ef boltinn er einhverra hluta vegna af stuttur má sökkva hausnum á honum í timbrið með því að bora með Ø 22 mm bor holu sem er 15 mm eða meira, þannig að boltinn falli inn eftir samsetningu. Notið viðarvörn í holuna. Vegna þess að boltinn fellur inn í timbrið er ekki þörf á plastlokki yfir boltahausinn
- Ef boltinn er hins vegar of langur er nauðsynlegt að stytta hann með jámsög þannig að hann standi ekki út úr hulsunni. Notið þjöf af kantarnir eru skarpir.

### Forborun fyrir sknúfur (skýringarmynd 4a+4b)

Til þess að koma í veg fyrir að timbri springi skal ávallt bora fyrir öllum sknúfum í timbrið. Holurnar sem boraðar eru skulu vera 10 mm styttri en sknúfan sem á að koma á hvern stað.

### Tréskrúfur (skýringarmynd 4a)

- Bora þarf 3mm gat fyrir trésknúfur
- Það er mjög mikilvægt að athuga að allar sknúfuhousar myndi beina línu við viðinn og það séu ekki neinar skarpir kantar.

### XL Stealth™ franskar sknúfur (skýringarmynd 4b)

- Fyrir franskar sknúfur þarf fyrst að bora 3mm holu í gegnum báða þá hluta sem eiga að festast saman.
- Setjið sléttu skinnu og loks plastskinnu fyrir plastlokkið upp á boltann. Setjið sknúfuna í holuna og herðið hann svo með T40 herslu-lykli í rafmagnsborvél. Plastlokkinu yfir boltahausinn er síðan smelli á sinn stað.

Varið : Ekki ofherða bolta og sknúfur!

Þegar harðviður er notaður getur verið nauðsynlegt að bora sverari holur en þegar mjúkvíður er notaður, allt eftir þéttleika harðviðarinnar.

040\_805\_GSI\_Is\_0300\_20120911\_r1A

## INDICAZIONI PER LA SICUREZZA

Complimenti per aver acquistato questo kit di montaggio! Grazie all'acquisto del kit Jungle Gym® sarete in grado di allestire in breve tempo nel vostro giardino un piccolo campo giochi, che farà divertire per anni i vostri bambini.

I kit Jungle Gym® sono composti di materiale di fissaggio realizzato appositamente. Nella fase di realizzazione si è prestata molta attenzione alla sicurezza. Il materiale metallico di fissaggio non ha, infatti, alcun angolo appuntito né parti sporgenti ed è resistente agli influssi atmosferici. I materiali utilizzati nei kit Jungle Gym® soddisfano i requisiti e le norme di sicurezza e di qualità definiti nella Direttiva Europea per i giocattoli (EN 71-1,-2,-3, -8 & -9) per utilizzo privato, purché utilizzati e montati in modo corretto. Non distorcete da quanto descritto nel manuale e non apportare alcuna modifica al progetto.

Avvertenze. Solo per uso domestico. Solo per uso esterno. Il massimo peso dell'utente è 50 Kg. Non adatto a bambini di età inferiore a 3 anni. Adatto a bambini con età compresa tra 3 e 10 anni.

Questo prodotto è da utilizzare solo in ambito familiare. Le installazioni in luoghi pubblici o per utilizzo pubblico non corrispondono al corretto uso di questo prodotto.

Leggere attentamente le presenti istruzioni fino in fondo, prima di iniziare la costruzione. Conservare il presente manuale così da poterlo consultare ogni volta che sarà necessario.

## NORME DI SICUREZZA

### Legname

- Per evitare che il legno, anche se impregnato, marcisca, trattare con mordente per esterni tutte le superfici segate e le parti di testa del legno.
- Prestare una particolare attenzione alle parti che entrano in contatto con il terreno.
- Trattare allo stesso modo anche eventuali fori provocati da viti e bulloni andati troppo a fondo e i fori per le scale di corda o per le corde di salita.

### Area di sicurezza

- Posizionare il playset su una superficie stabile sterrata, come erba o un solido strato di sabbia. L'attrezzatura non va collocata su una superficie dura quale cemento, ghiaia o asfalto.
- La superficie del terreno dev'essere piana. L'installazione dell'attrezzatura da gioco su terreno inclinato può far sì che essa si inclini o venga a trovarsi in posizione errata. Tale inclinazione può mettere sotto eccessiva pressione tutte le connessioni e le giunture e, col passare del tempo, farà sì che tali connessioni si allentino e non funzionino più correttamente.
- L'area di sicurezza del gioco si riferisce ad una zona che si estende a 200 cm in tutti i lati del gioco. Le cadute su un terreno duro possono causare lesioni. Qui di seguito viene riportato un elenco dei tipi di terreno raccomandati.

### Materiale suggerito

#### profondità prima della compattazione

Corteccia d'albero a trucioli fini	50 cm
Trucioli di legno uniformi	50 cm
Ghiaia fine	50 cm
Sabbia fine	50 cm
Erba	

- Collocare ogni attrezzo di gioco in modo del tutto isolato su una base piana, ad almeno 200 cm da ostacoli come alberi, corde per il bucato, recinzioni, edifici o fili elettrici
- Collocare l'attrezzatura in modo che non interferisca con sentieri o passaggi.
- Qualsiasi bordura utilizzata per contenere il terreno dev'essere posta oltre l'area di sicurezza prevista per il gioco (legno da giardinaggio o traversine da ferrovia)

### Montaggio in sicurezza

- I bambini devono restare lontani dall'area di lavoro fino a che lo spazio destinato al gioco non è stato privato degli ostacoli.
- L'attrezzatura da gioco è stata completamente montata, tutte le parti metalliche sono state correttamente fissate e verificate e tutti gli strumenti e altri oggetti che non devono trovarsi nell'area di gioco sono stati raccolti e messi via.
- Quando si costruisce questa attrezzatura da gioco, occorre che vi siano almeno due persone per sollevare e tenere fermi travi, cornici o altri elementi pesanti prima di fissare le viti o i bulloni. La costruzione richiede 1 ora per l'assemblaggio di un'altalena e fino a 4 ore per quello di una torre da scivolo
- Verificare tutte le parti e raggrupparle in modo sistematico in maniera che siano a portata di mano. Paragolarle con quanto riportato nell'elenco delle parti.
- Indossare indumenti da lavoro e strumenti di sicurezza efficaci (occhiali di sicurezza, una mascherina antipolvere e guanti) se si deve segare, perforare, levigare, trattare con mordente o assemblare, soprattutto quando si lavora il legno impregnato ad alta pressione.
- Seguire le indicazioni del produttore degli utensili utilizzati.
- Non salire in piedi sulla piattaforma fino a che l'insieme del gioco non sia completamente montato, usare la scala se non si riesce a raggiungere la parte alta della struttura.
- Ancorare l'attrezzatura al suolo con materiale fabbricato a tale scopo in modo da evitare che si rovesci o scivoli. Se il terreno non è sufficientemente solido, i picchetti di ancoraggio devono essere fissati con cemento. Fare attenzione, in tal caso, a che i picchetti non spuntino dal suolo, perché i bambini vi potrebbero inciampare.
- Una volta ultimata la costruzione, segare tutte le parti sporgenti con una sega per il ferro e levigare le parti appuntite con una lima.
- Al fine di evitare schegge, levigare le parti in legno con carta vetrata. Arrotondare tutti gli angoli con carta vetrata o con una lima fino ad ottenere un raggio pari a 3 mm.
- Non fissare all'attrezzatura altri oggetti come corde, catene o altri elementi.
- Non combinare prodotti di altri produttori con quelli di Jungle Gym®, perché ciò potrebbe compromettere la sicurezza delle attrezzature.
- Usare RopeLocks™ soltanto in combinazione con i ganci dell'altalena di Jungle Gym®. È proibito usare altrimenti i RopeLocks™, per esempio per l'alpinismo o per sollevare o trascinare pesi.

- Il filetto della vite del gancio dell'altalena deve essere avvitato nel legno fino in fondo nell'incrocio dei pali. È importante che si alinee il gancio dell'altalena nella posizione adeguata, installarla in modo improprio o mal allineata può far rompere o estrarre il gancio dell'altalena, provocando ferite.
- Tra un accessorio dell'altalena (per esempio un sedile di altalena) e il suolo vi deve essere una distanza pari ad almeno 35 cm.
- La distanza reciproca tra un accessorio e il telaio non deve essere inferiore a 30 cm.
- La distanza fra i ganci dell'altalena deve essere di 45 cm.
- La distanza fra gli accessori dell'altalena deve essere di 45 cm.
- Corde per arrampicarsi o scale di corda devono essere sempre fissate sopra e sotto, in modo da evitare che si possa fare un cappio con l'estremità libera.

## ISPEZIONE E MANUTENZIONE

Per poter garantire la sicurezza degli utenti, l'attrezzatura dovrà essere controllata accuratamente al momento della messa in esercizio, e poi due volte al mese durante il periodo di utilizzo ed una volta all'inizio della stagione, secondo le istruzioni qui sotto riportate attinenti all'ispezione di sicurezza. Il giocattolo potrebbe ribaltarsi e diventare un pericolo se non vengono eseguiti regolarmente i controlli di manutenzione.

### Parti in legno

- Accertarsi che non vi siano schegge né eventuali danni strutturali di altro tipo.
- Un trattamento regolare con del mordente per esterni aiuta a impedire che il legno marcisca. Non utilizzare una vernice che rende scivolose le superfici

### Materiali di fissaggio

- Controllare che tutti i bulloni e le viti non siano allentati. Attenzione: se le viti o i bulloni sono troppo serrati, si formano schegge e/o fenditure.
- Controllare che gli altri materiali di fissaggio, staffe e ganci dell'altalena non presentino tracce di ruggine tali da pregiudicare la resistenza del metallo. In caso di dubbi, sostituire le parti in questione.
- Controllare l'ancoraggio al suolo. Per essere sicuri che siano fissati, se necessario riposizionarli.

### Accessori (se utilizzati)

- Accertarsi che i ganci di RopeLocks™ siano stati montati ed appesi in modo corretto ai ganci dell'altalena di Jungle Gym®. Per controllare i Rope Locks HC si deve restare appesi per alcuni secondi con tutto il proprio peso a ciascuna delle corde dell'altalena. I RopeLocks SC si pos sono controllare caricando per alcuni secondi l'accessorio in questione con tutto il proprio peso Riposizionare quando necessario. Il cigolio dei RopeLocks™ può essere eliminato bagnando questi ultimi con acqua. O un olio vegetale come ad es. l'olio d'oliva
- Accertarsi dell'assenza di crepe e di rotture sui sedili dell'altalena e sui trapezi e verificare che le corde dell'altalena non siano sfilacciate e non presentino considerevoli formazioni di fibre a seguito della rotazione degli accessori dell'altalena. Per poter valutare bene il fenomeno, nel punto in cui si costata un eventuale logorio bisogna girare le corde in senso inverso alla rotazione subita; si potrà così verificare se le fibre della corda dell'altalena presentano rotture. Sostituire in caso di dubbi.
- Controllare che il dispositivo di ancoraggio dello scivolo alla piattaforma non presenti fessure alle quali si possano impigliare, per esem pio, i lacci dei cappucci, causando strangolamento.
- Gli accessori possono essere puliti con un detergente non abrasivo. Se lo scivolo è estremamente sporco, si potrà eventualmente pulirlo con un pultore ad alta pressione. Fare tuttavia attenzione a non danneggiare la superficie dello scivolo.

### Area di sicurezza

- Controllare che il terreno non sia troppo compresso. Se necessario, rastrellarlo. Riempire gli eventuali buchi, per esempio sotto i sedili dell'altalena.
- Controllare la stabilità dell'attrezzatura.
- Verificare che nelle immediate vicinanze dell'attrezzatura non siano presenti oggetti che possono costituire pericolo immediato (rami di alberi, corde per stendere la biancheria, materiali vari sparsi).

### Inquinamento ambientale

Se si decide di disfarsi dell'attrezzatura, rimuovere tutte le parti metalliche così da non creare situazioni pericolose. Portare il legno a un apposito centro di raccolta rifiuti locale. Per ragioni di rispetto dell'ambiente, il legno impregnato, trattato con mordente o dipinto non deve essere bruciato dagli utenti finali o da altre persone non addette al trattamento dei rifiuti.

## SICUREZZA DEL GIOCO

### Attenzione:

- Fare in modo che i bambini giochino sempre sotto sorveglianza di un adulto.
- Insegnare ai bambini a giocare in maniera sicura.
- Controllare che i bambini indossino degli indumenti adeguati. Verificare che non indossino alcun indumento allentato, con delle corde celle o con accessori che possono restare impigliati.
- Usare il buon senso per evitare incidenti.
- I prodotti Jungle Gym® sono destinati a bambini dai 3 ai 10 anni, a meno che non siano espressamente indicate altre età.

### Sicurezza del gioco (ill. 1)

- In caso di pioggia, non si può giocare con gli attrezzi, poiché alcune parti possono diventare scivolose. In caso di gelo, anche le superfici morbide possono trasformarsi in strati durissimi. Portare al chiuso gli accessori qualora la temperatura scenda sotto gli 0° C.
- Non utilizzare l'attrezzatura o gli accessori per scopi diversi dalla loro destinazione di utilizzo, altrimenti vi è il rischio di danni o lesioni. Accertarsi che i bambini non torcano gli accessori, perché ciò pregiudica la sicurezza delle corde e ne accorcia la durata. I bambini potrebbero anche rimanervi imprigionati.
- Fare in modo che i bambini non saltino giù da altalene in movimento.
- Proibire ai bambini di fare oscillare avanti e indietro gli accessori senza occupante.

- Proibire ai bambini di oscillare di traverso o in diagonale.
- Proibire ai bambini di penzolare capovolti dall'attrezzatura.
- Fare in modo che i bambini non si afferrino reciprocamente oscillando.
- Fare in modo che i bambini non passino davanti, fra o accanto ad altri accessori in movimento.
- Fare sedere i bambini con tutto il loro peso al centro dell'altalena. Controllare che il numero di bambini che giocano con un determinato accessorio non sia superiore a quello previsto. In una comune torre di salita possono giocare contemporaneamente non più di 3 bambini di peso non superiore a 50 Kg. Se una torre di salita è combinata con un'altalena, vi possono giocare contemporaneamente non più di 5 bambini di peso non superiore a 50 Kg.
- Non fare salire i bambini sulle scale superiori se vi sono altri bambini che stanno usando gli accessori inferiori. Eventuali cadute da tali altezze possono dar luogo a lesioni.
- The play area must be free of all structures and obstacles.
- In ogni parte aperta di una piattaforma possono verificarsi degli incidenti. Tale rischio risulta sensibilmente ridotto se si applicano maniglie, sostegni di sicurezza o ringhiere.
- Fare in modo che i bambini vadano giù dallo scivolo sempre seduti con il viso rivolto in avanti. Non posizionare lo scivolo verso sud per non esporlo a calore solare eccessivo. Prima che i bambini vadano a giocare, controllare che le superfici non siano troppo calde. Raffreddarle eventualmente con acqua, e poi asciugarle.

### Utensili necessari (ill. 2)

- Metro a nastro, 2. Matita, 3. Sega obliqua, 4. Lima per legno e metallo, 5. Trapano elettrico, 6. Martello, 7. Livello a bolla

### Giunzione bullonata standard (ill. 3)

- Trapanare con punta da ø10 mm nelle parti da fissare.
- Colpire il barilotto del dado con un Martello nel foro, La sporgenza del dado deve essere all'interno del legno
- Disporre della rondella del bloccaggio sopra la tibia del bullone, seguita dalla parte inferiore della rondella del bullone, iniziare il fissaggio preliminarmente del bullone a mano prima di usare l'avvitatore da 13 mm per stringere ogni bullone, fino all'azione della molla di bloccaggio che ha luogo con la compressione completa fra la testa del bullone e la rondella piana. Chiudere poi la testa del bullone con la sua protezione.
- Se il bullone sembra troppo piccolo, non posizionare lo scivolo verso sud per non esporlo a calore solare eccessivo. Prima che i bambini vadano a giocare, controllare che le superfici non siano troppo calde. Raffreddarle eventualmente con acqua, e poi asciugarle.
- Se il bullone è troppo lungo, si dovrà segarne la parte sporgente. Limare ogni eventuale sbavatura affilata.

### Trapanatura preliminare (ill.4a+4b)

Per fare in modo che il legno non si spacchi, si consiglia di eseguire una trapanatura preliminare in modo da agevolare l'inserimento delle viti. Praticare un foro di 10 mm più corto della vite.

### Viti da legno (ill. 4a)

- Trapanare con punta da ø3 mm per viti da legno.
- È molto importante avvitare fino in fondo, con la punta di tutte le viti rasentino la superficie del legno e non ci siano protuberanze taglienti.

### XL Stealth™ viti rivestite (ill. 4b)

- Per le XL Stealth™ viti rivestite, innanzitutto occorre usare il trapano con foro da ø5 mm nei punti fissati.
- Disporre la rondella e la protezione del bullone sopra la tibia della vite. Disporre la vite nel foro e usare la presa da T40, del trapano elettrico nella chiusura la protezione del bullone con il suo cappuccio.

Attenzione: non stringere troppo bulloni e viti!

Quando si usa il legno esotico può essere necessario perforare i fori pilota con una punta del trapano di maggior diametro, secondo la compattezza del legno.

040\_805\_GSI\_0300\_20120911\_r1A

## 一般的安全説明書

Jungle gym® Do It Yourself(ジャングルジムドゥ イットユアセルフ)キットをご購入いただきありがとうございます。このジャングルジムキットによって、短時間で何年間にもわたってお子さまが楽しめる安全なプレイセットを組立てることができま

ジャングルジムキットには特別に開発されたハードウェアが含まれています。この材料は入念に注意を払って、お子さまの安全が一番重要であるという意識の下に設計されています。このハードウェアには一切の鋭利な角や、どった部品は使用しておりませんし、気候による変動の可能性を排除しています。この遊戯用器具が本マニュアルに従って組立てられ、適正に使用されることを条件に、キットに含まれる部品は、すべて個人的使用に使用されるEN 71-1、-2、-3、8&9(欧州安全規格)に準拠しております。ここに示された図面から逸脱し、設計を変更してはなりません。

本製品は、1つの家族が家庭で使用することを目的としています。公共施設や公衆の場に設置することは本製品の明らかな誤用となります。

組み立てを始める前にこの説明書を注意深く読み、説明書は大切に保管しておいてください。

## 安全説明

### 木材

- 腐食を防ぐため、すべての鋸引き面と端面を戸外用木材防腐剤で処理します。また、加圧処理した木材を使用する場合も同様です。
- 地面に接する部品には特に注意します。
- 皿もみされた穴や、ロープ ラダー(なわばしご)またはクライミング
- ロープの穴はステイン処理すること。

### 安全遊技区域

- 安全遊技区域とは、プレイセットの全周囲から20 cm外側までの範囲を言います。
- 安全遊技区域には、構造物、フェンス、ガレージ、家、垂れ下がった枝、洗濯ひも、電線、およびその他の安全な遊技を妨げるおそれのあるものがあってはなりません。
- 歩道や通路の方向にプレイセットを設置してはなりません。
- 地表は水平であること。プレイセットを斜面に設置すると傾いたり、壊れたりする原因となります。この傾きは、すべての接合部に応力を生じ、その結果、接合がゆるみ、破損する原因となります。
- コンクリート、砂利、アスファルト、固めた土、またはその他の硬い面にプレイセットを設置してはなりません。硬い表面の上に落ちると重大なけがとなるからです。
- 以下は推奨するグラウンドカバーです。

### 推奨する材料

推奨する材料	固められていない層の最小深さ
二重にシュレッドされた樹皮	50 cm
均一な木材チップ	50 cm
細かい砂利	50 cm
細かい砂	50 cm
草	

- 安全遊技区域にグラウンドカバーを敷きつめます。グラウンドカバーを囲むために使うエッジ(造園用またはその他のエッジ)は安全区域の外側になければなりません。

### 安全な据付

- 安全遊技区域からじゃまものが取り除かれ、プレイセットが完全に据付けられ、すべてのハードウェアが締め付けられ、かつチェックされ、そしてすべての工具などが遊技区域から拾い集められるまで、お子さまを遊技区らせないようにしてください。
- このプレイセットを作っているあいだは、ボルトやねじを締める前に、ビームやフレームまたはその他のアセンブリを支持しているために、少なくとも2人の大人が必要です。
- すべてのパーツをチェックし、手の届く範囲内にきちんとグループごとに並べます。パーツをパーツリストと照合します。
- 鋸引き、穴明き、研磨、ステイン作業またはプレイセットの組立、特に加圧処理された木材を取扱う作業には適切な作業服と安全具(例えば、安全眼鏡、ダストマスクおよび手袋)を着用してください。
- 工具や器具の使用においては、それらのメーカーの安全指示に従ってください。
- プレイセットが完全に組立てられるまでは、プラットフォームに立ってはいけません。高いところに手が届かないときは、はしごを使用してください。
- プレイセットがひっくり返ったり、動いたりしないように、しっかりとアンカーしなくてはなりません。杭が簡単に抜けてしまうような土の状態にある場合は、セメントを打つ必要があります。子供たちがつまづくことのないように、グラウンドアンカーは地面から突き出していないように。
- 組立後、必ずボルトやその他の締結具の突出部分をメタルソーで切断してください。シャープなエッジにやすりをかけてください。
- 木部にさざくれが生じないように、サンドペーパーまたはやすりで仕上げてください。
- このジムセットには、ロープ、くさり、丸いひもなど、余計なものを取り付けてはなりません。
- ジャングルジム製品に他の製品を組合せると安全性が低下するので、お止めください。
- ジャングルジムのスイングフックとジャングルジムスイングロープの組合せには、Rope Locks™(ロープロック)をご使用ください。山登りや物を引っ張るといような他の目的のために、ロープロックを使用してはなりません。
- スイングフックLSのねじは木材に完全にねじ込み、クロスビームにしっかりと締め付けてください。スイングフックを適切な場所に合わせることも重要です。スイングフックを不適切に取り付けたり、場所が合っていないと、折れたり、抜けたりして、けがの原因となります！
- スイングングアクセサリ(例えば、スイングシート)と地面との距離は少なくとも35 cmは必要です。
- アクセサリとフレームの間の距離は少なくとも30 cmが必要で
- スイングフック間の距離は45 cmです。
- スイングアクセサリ間の距離は45 cmです。
- クライミングロープまたはロープラダー(なわばしご)は、必ず上下で固定してください。さもなければ自由に垂れているロープがぶをつくり、輪を構成して子供が絡まってしまふ危険があります。

## 検査とメンテナンス

プレイセットの使用者の安全を確実にするために、プレイセットは各シーズンの始めに、また使用シーズン中、月に2回ずつ、下記の安全検査を実施しなければなりません。(36)

### 木材部品

- 木材の裂けやその他の欠陥の有無の点検
- 木の腐食を防止するため、木材の外表面に定期的に防腐剤を塗布してセットを維持します。表面が滑りやすくする塗料を塗ってはなりません。

### ハードウェア

- 金属部品がよく締まっていることを確認します。ただし、締めすぎると木材の繊維が潰れて、板に裂け目を生じるので注意しなければなりません。
- 他の金属部品、プラケットおよびスイングフックに錆が出ていないか点検します。錆は強度に影響を及ぼします。必要に応じて交換します。
- グラウンドアンカーにゆるみがないか点検します。必要に応じて、位置を変えたり交換します。

### アクセサリ(該当する場合)

- ロープロックがジャングルジムスイングフックに適正に取り付けられていることを点検します。ロープロックHCを点検するには、数秒間、全身の重みをかけて各々のスイングロープにぶら下がります。ロープロックSCの点検には、数秒間、全身の重さをかけてそのアクセサリに座ります。必要に応じて交換してください。もしキーキーときしむ場合は、水またはオリブのような植物油でロープロックHCを濡らせます。
- スイングシートやバーがしっかりとしているか、スイングロープにほつれが出たり、繊維がほぐれていないかチェックします。ロープの安全性を確実に判定するには、ほつれが生じているところをあけて、繊維が切れていないかしっかりと調べます。ベイベーリングの安全ベルトを点検します。必要に応じて交換します。
- すべり台のプラットフォームへの取付部に隙間がないことを点検します。隙間があるとフードつきのジャケットのひもなどが引っかかって、子供に危険なことがあります。
- アクセサリはすべて、温水と弱性の洗剤できれいになります。ひどく汚れてしまったすべり台は、高圧水クリーナーで洗浄することができます。(すべり台の表面や木材を傷つけないように注意すること)

### 表面と直接的に危険な環境

- 衝撃吸収面が圧縮されすぎているか点検し、必要に応じて、柔らかさを取り戻します。スイングシートの下に穴があれば埋めます。
- プレイシートの安定性をチェックします。
- 垂れ下がっている木の枝、洗濯ひも、じゃまものなど直接的に危険な環境を点検します。

### 環境保護

プレイセットに使用した木材を廃棄する場合は、燃やしてはなりません。また、危険物とならかねない金属部品を取り外します。加圧処理、ステインまたは塗装した木材は、環境汚染の元となり得るので、自分で処理してはなりません。必ず地元の処理場へ運んでください。

## 安全な遊び方

### 注意:

- 子供たちの年齢にかかわらず、常に成人の監視が必要です。
- 安全な遊び方を子供たちに教えてください。
- 子供たちには適切な衣服を着用させます。アクセサリ、ひも付きの衣服、体にびったり合わない衣服、および首のまわりに器具に引っかかって締まるような紐のある衣服の着用は避けてください。プレイグラウンド用具を遊ぶ際には、バイクヘルメットは外してやりませ
- 最後に、危険を招きかねない遊び方は避けるよう常識を働かせてください。
- ジャングルジム製品は特に断りのない場合、3-10歳のお子さま用に設計されています。

### 安全な遊び方(ILL.01)

- 表面が滑りやすくなる雨降りの日や、乾かしぬ道が非常に硬い表面に変わる霜の多い季節はこの器具を使用しないでください。気温が0℃以下になったら、アクセサリを取り外して室内に移してください。
- この器具またはアクセサリを本来の使用目的以外の目的に使用すると、器具の破損またはけがの発生を招きます。ブランコ、チェーン、ロープまたはその他のアクセサリをねじったり、巻きつけたりしてはなりません。ねじるとはアクセサリの強度を弱めたり、子供に絡まってしまふ危険性があります。
- 次のことをしないように子供を指導します:
  - ブランコが動いているときに飛び降りないこと
  - 空のブランコのシートやその他の空のアクセサリをゆらせないこと
  - ななめにゆらせないこと
  - ジムセットのどの部分においてもさかさまにぶら下がらないこと
  - 動いている器具の上の子供を掴んだり止めないこと
  - 動いているアクセサリの近く、前方、中間または後方を歩かないこと
- ブランコのシートには、中央に子供の全体重が掛るように座らせます。シートは同時に1人しか乗せないこと。標準タワ:50 kg以下の体重の子供が3人までプレイセット上で遊ぶことができます。ブランコと組み合わせた標準タワ:50 kg以下の体重の子供が5人までセット上で遊ぶことができます。
- プレイセットのフレームにより登ったり、それにぶら下がることは禁止しなければなりません。さもなければ、落下によって重大なけがを生じることがあります。
- 遊び場には、他の構造物やじゃま物があってはなりません。
- プラットフォームの穴は事故の原因となります。ハンドル、安全バーおよびフェンスボードなどの安全機能をもたらせることにより、危険性は大幅に減少します。
- 子供をすべり台で滑らせる場合は、必ず座らせて滑らせませす。すべり台は強い直射日光に長いこと曝さないでください。長い間直射日光に曝すと部品がかなり熱くなります。子供を座らせる前に、プレイセットが熱すぎないように注意します。必要に応じて、プレイセットを水で冷やし、十分に乾かしてから使用します。あそびのために、すべり台を水でわざと濡らすことは止めてください。

### 必要な工具(ILL.2)

- 巻尺、2.鉛筆、3.ハックソー、4.木材やすりと鉄やすり、5.電気ドリル、6.ハンマー
- レベル器

### 標準のボルト結合(ILL.3)

- 締結すべき部品にφ10 mmの穴をあけます。
- ハンマーで溶接ナットの胴部をたたいて穴を打ち込みます。溶接ナットの突出している胴部は、木材に沈み込ませなければなりません
- ボルトのシャンクにワッシャをはめ、次にプラットフォームをはめ、ボルトキャップの底部を入れます。始めは指先でボルトを締め、固くなったら13 mmのソケットを電機ドリルに取り付けて、ボルトの頭とプラットフォームの間でロックワッシャがバネ力に抗して圧縮されるまで締め付

- けませ。ボルト保護キャブの頭を閉じます。
- ボルトが短すぎる場合は、もっとも厚い部分の木材をφ22 mmドリルを使って深さ15 mmぐらいまで穴の上部を穴ぐりして、組付け後ボルトが沈み込むようにします。穴はステイン処理します。ボルトの頭が沈んだので、この場合はボルト保護キャブは不要です。
- もし、ボルトが長すぎるようでしたら、メタルソーで端部を切り落とすことが必要です。鋭いエッジはやすりで落としてください。

### 下孔(ILL.4A,4B)

木材が割れるのを防ぐために、すべてのねじには下孔をドリル加工しておくことをお勧めします。下孔の深さはねじの長さより10 mm浅くします。

### 木ねじ(ILL.4A)

- 木ねじ用にはφ3 mmの下孔をあけます。
- すべてのねじの頭が木材の面と同一面にあり、鋭いエッジが露出していないことが非常に重要です。

### XL Stealth™ ラグねじ(ILL.4B)

- XL Stealth™ ラグねじには、結合する2つの部分双方にφ5 mmの孔をあけます。
- プラットフォームとボルトキャップの底部をねじのシャンクに通します。ねじを穴に通し、T 40のソケットを電気ドリルに取り付けて締付けませ。ボルト保護キャブの上部を閉じます。

注意: ボルトやねじを締めすぎないこと

ハードウッドを使用する場合は、木材の硬さに応じて下孔の直径を大きくする必要があります。

040\_805\_GSI\_0100\_20071018\_NJA

ja

## BENDRI SAUGOS NURODYMAI

Sveikiname įsigijus šį „Jungle Gym®“ „pasidaryk pats“ komplektą. Su šiuo „Jungle Gym®“ komplektu galėsite greitai sukonstruoti saugią žaidimų aikštelę, kurioje jūsų vaikai smagiai leis laiką daugybę metų.

„Jungle Gym®“ komplektą sudaro specialiai sukonstruotos detalės. Žaidimų aikštelės detalės yra sukurtos labai kruopščiai, turint galvoje jūsų vaikų saugumą. Detalės neturi aštrių kampų ar išsikišusių dalių ir yra apsaugotos nuo visų rūšių oro sąlygų poveikio. Visos komplekto detalės atitinka EN 71-1, -2, -3, -8 ir -9 (Europos saugos standartas) asmeniniam naudojimui, jei žaidimų aikštelė teisingai sumontuota ir naudojama laikantis instrukcijos pateiktų nurodymų. Nenukrypkitė nuo šių planų ir patys nekeiskite konstrukcijos.

Įspėjimai. Tik buitiniam naudojimui. Naudoti tik lauke. Maksimalus naudotojo svoris 50 kg. Netinka vaikams iki 3 metų. Tinka vaikams nuo trijų iki dešimties metų amžiaus.

Šis gaminy yra skirtas vienai šeimai. Jei gaminy įrengiamas viešai, kaip visiems skirta žaidimų aikštelė, jis naudojamas ne pagal paskirtį.

Prieš pradėdami montavimo darbus, atidžiai perskaitykite šiuos montavimo nurodymus ir pasidėkite šią instrukciją, kad prirėkuis vėliau galėtumėte ją pasinaudoti.

## SAUGOS NURODYMAI

### Mediena

- Visus nupjautus paviršius ir galus apdorokite medžio apsaugai lauko sąlygomis skirta priemone, kad apsaugotumėte medieną nuo puvio.
- Medieną šia priemone taip pat apdorokite ir tuo atveju, jeigu naudojate aukštų slėgiu apdorotą medieną.
- Atkreipkite ypatingą dėmesį į dalis, kurios liečiasi su žeme.
- Beicu taip pat apdorokite visas sujungimų angas bei angas virviniems kopėčioms ir virvei.

### Žaidimų saugos zona

- Padėkite playset ant neįrjstu stabilaus paviršiaus, pavyzdžiui, žolė arba kieto smėlio sluoksniu. Neįrenkite žaidimų aikštelės ant betono, žvyro, asfalto ar kito kieto paviršiaus.
- Žemės paviršius turi būti lygus. Jeigu statote žaidimų aikštelę ant šlaito, ji gali pakrypti ar pasvirti. Pasvirimas papildomai apkrauna visus sujungimus ir varžtus, todėl po kiek laiko sujungimai gali atsilpaaiduoti ir iširti.
- Žaidimų saugos zona vadinama zona 200 cm atstumu į visas puses nuo žaidimų aikštelės. Nukritus ant kieto paviršiaus galima sunkiai susizeisti. Žemiau pateikiamas rekomenduojamų paviršiaus dangų sąrašas. Šia medžiaga padenkite visą žaidimų aikštelės saugos zoną.

Siuola medžiaga	nesuspaustus medžiagos gylis
Dvigubo smulkinimo žievės mulčias	50 cm
Vienodo smulkumo medžio skiedros	50 cm
Smulkus žvyras	50 cm
Smulkus smėlis	50 cm
Žolės	

- Žaidimų aikštelės saugos zonoje neturi būti jokių konstrukcijų, tvorų, garažų, namų, nusvirusių šakų, virvių skalbiniams džiamti, elektros laidų ir kitokių kliūčių, kurios trukdytų vaikams saugiai žaisti.
- Neįrenkite žaidimų aikštelės taip, kad link jos eitų takai ar šaligatviai.
- Borteliai, kuriais apribojamas danga padengtas paviršius, turi būti už žaidimų aikštelės saugos zonos ribų (tai gali būti dekoratyvinės medienos ar kitokie borteliai).

### Saugos montavimas

- Neleiskite vaikams būti darbų zonoje, kol žaidimų aikštelės saugos zonoje yra kokių nors kliūčių, aikštelė nebaigta montuoti, detalės nepriveržtos ir nepatikrintos, įrankiai ir kiti daiktai, kurių neturėtų būti žaidimų aikštelėje, nesurinkti.
- Šią žaidimų aikštelę turi montuoti mažiausiai du suaugę žmonės, galintys pakelti ir laikyti sijąs, rėmus ir kitas sunkias konstrukcijas prieš jas priveržiant.
- atikrinkite visas dalis ir išsidėliokite jas taip, kad būtų lengva pasiekti ir galėtumėte jas sumontuoti reikalinga eilės tvarka. Patikrinkite jas pagal dalių sąrašus.
- jaudami, grėždami, obliuodami, beicuodami ar montuodami žaidimų aikštelės dalis, vilkėkite tinkamus drabužius ir apsaugos priemones (pavyzdžiui, apsauginius akinus, kaukę ir pirštines), ypač tuo atveju, jeigu dirbate su aukštu slėgiu apdorota mediena.
- Laikykites naudojamų įrankių ir prietaisų gamintojo saugos nurodymų.
- Nesistokite ant platformos, kol žaidimų aikštelė nėra iki galo sumontuota. Jeigu nepasiekiate, naudokite kopėteles.
- Kad neuviristų ar nepasislinktų iš savo vietos, žaidimų aikštelė turi būti saugiai pritvirtinta prie žemės. Jei stulpai iš žemės lengvai išsitraukia, juos reikia įbetonuoti. Pasirūpinkite, kad tvirtinimo prie žemės elementai neįsūtų iš žemės, nes vaikai gali už jų užkliūti.
- Sumontavę aikštelę nepamirškite metalo pjūkliu nupjauti visų pavojingai kyšančių varžtų ir kitų tvirtinimo detalių galų. Aštrias briaunas nudildykite metalo dilde.
- Kad vaikai neprisivarytų rakščiu, medį nušifuokite švitrinium popieriumi. Taip pat švitrinium popieriumi arba metalo dilde suapvalinkite iki 3 mm spindulio visus kampus.
- Prie šio rinkinio netvirtinkite papildomų elementų, pavyzdžiui, virvių, grandinių, laidų ar kitų elementų.
- Su „Jungle Gym®“ gaminiams nenaudokite kitų gamintojų gaminių, nes tai gali neigiamai paveikti jų naudojimo saugumą.
- Su „Jungle Gym®“ sūpynių kabliais naudokite tik virvių fiksatorius „Rope Locks™“. Nenaudokite „Rope locks™“ fiksatorių kitais tikslais, pavyzdžiui, alpinizmui ar kroviniams kelti.
- Sūpynių kablo LS sriegis turi būti iki galo įsuktas į medieną, kad tvirtai laikytusi skersinėje sijoje. Svarbu, kad sūpynių kablys būtų tinkamoje padėtyje. Netinkamai įtvirtintas arba netinkamoje padėtyje įtvirtintas sūpynių kablys gali sulūžti arba išsitraukti ir sukelti traumą!
- Atstumas tarp sūpynių elementų (pavyzdžiui, suapvalintų kėdutės) ir žemės turi būti ne mažesnis kaip 35 cm.
- Atstumas tarp elemento ir rėmo turi būti ne mažesnis kaip 30 cm.
- Atstumas tarp sūpynių kablų turi būti 45 cm.

- Atstumas tarp sūpynių elementų turi būti 45 cm.
- Kopimui skirta virvė ir virvinės kopėčios visada turi būti saugiai pritvirtintos ir viršuje, ir apačioje, nes laisvai kabanti virvė gali susimazgyti, ir vaikas gali joje susipainioti.

## PATIKRINIMAS IR PRIEŽIŪRA

Siekiant užtikrinti visų žaidimų aikštelės naudotojų saugumą, prasidedant sezonui ir toliau du kartus per mėnesį aikštelę reikia tikrinti pagal žemiau pateiktus saugos nurodymus. Jei techninė priežiūra atliekama nereguliariai, žaidimų įranga gali apvirsti ar sukelti pavojų kitokiui būdu.

### Medinės dalys

- Patikrinkite, ar nėra atplaišių ir kitokių galimų konstrukcinių defektų.
- Žaidimų aikštelę reguliariai apdorokite lauke esančiai medienai skirta priemone, kad apsaugotumėte medieną nuo puvio. Nenaudokite dažų, dėl kurių paviršiai gali pasidaryti slidūs.

### Metalinės dalys

- Patikrinkite, ar gerai užveržtos metalinės dalys. Įspėjimas: per stipriai priveržtos metalinės detalės trauška medienos pluoštą, todėl lentos gali suskilinėti.
- Patikrinkite metalines dalis, laikikius ir sūpynių kablius, ar jie nepradėjo rūdyti, nes dėl rūdžių jos gali pasidaryti slipnesnės. Jeigu reikia, atskiras dalis pakeiskite naujomis.
- Patikrinkite tvirtinimo žemėje elementus ir įsitinkinkite, kad jie gerai laikosi. Jeigu reikia, pakeiskite jų įvėžtą arba juos pačius.

### Priedai (jeigu yra)

- Patikrinkite „Rope Locks™“ virvių fiksatorius, ar jie tinkamai pritvirtinti prie „Jungle Gym®“ sūpynių kablų. Patikrinkite „Rope Locks HC“ fiksatorių kelioms sekundėms visu svoriu pakibdami ant kiekvienos sūpynių virvės. „Rope Locks SC“ fiksatorius galima patikrinti kelioms sekundėms visu svoriu atsisėdus ant detalės. Jei reikia, atskiras dalis pakeiskite naujomis. Jeigu dalys girgžda, „Rope Locks HC“ fiksatorius galima sudrėkinti vandeniu ar sutepti augaliniu aliejumi, pavyzdžiui, alyvų aliejumi.
- Patikrinkite sūpynių sėdynių ir skersinių vientisumą, pažiūrėkite, ar nenuspuro ir ar nenusitrynė sūpynių virvės. Norėdami patikimai virvę įvertinti, praskleiskite virvės ties tas ta vieta, kur ji nusitrynė, ir atidžiai patikrinkite, ar nesutrūkinėjo jos plaušeliai. Patikrinkite kūdikių sūpynių apsauginį diržą. Jei reikia, atskiras dalis pakeiskite naujomis.
- Patikrinkite čiuožyklos tvirtinimo prie platformos, ar neatsirado plyšių, kuriuose, pavyzdžiui, gali užstrigti ir įsipainioti drabužių su gobtuvais raišteliai.
- Visus priedus galima valyti šiltu vandeniu su švelnia valymo priemone. Labai purvinas čiuožyklas galima valyti aukšto slėgio purkštuvu (saugokitės, kad nepažeistumėte čiuožyklos paviršiaus ir medienos).

### Žaidimų saugos zona

- Patikrinkite, ar smūgius amortizuojantis paviršius per daug nesuspaustas, jeigu reikia, jį supurenkite. Užpilkite skylės ir duobes, pavyzdžiui, po sūpynių kėdėmis.
- Patikrinkite žaidimų aikštelės stabilumą.
- Patikrinkite žaidimų aikštelės zoną, ar nėra tokių tiesioginių pavojų, kaip žemai nusvirusios šakos, skalbinių virvės, nepritvirtinti objektai.

### Aplinkos apsauga

Kai žaidimų aikštelės medines dalis išmesite, jų nedeginkite. Metalines dalis išmeskite taip, kad tai nesukeltų pavojaus aplinkai. Apdorotos aukšto slėgiu, beicuotos arba impregnuotos medienos patiemis deginti negalima, nes taip teršiama aplinka. Nuvežkite ją į vietinę atliekų perdirbimo įmonę.

## SAUGOS ŽAIDIMAS

### Dėmesio!

- Aikštelėje žaidžiančius bet kokio amžiaus vaikus visada turi stebėti suaugęs asmuo.
- Išmokykite vaikus žaisti saugiai.
- Vaikus tinkamai aprenkite. Venkite priedų, drabužių su raišteliais, palaidų drabužių, ant kaklo kabinamų virvelių – jos gali susipainioti arba įsipainioti į aikštelės dalis. Prieš žaidžiant aikštelėje būtina nusimti dviratrininko šalmą.
- Svarbiausia – venkite bet kokių nesaugių situacijų, vadovaukitės sveiku protu.
- „Jungle Gym®“ gaminiai yra skirti vaikams nuo 3 iki 10 metų amžiaus, jeigu atskirai nėra nurodyta kitaip.

### Saugus žaidimas (01 pav.) (p33)

- Aikštelėje negalima žaisti drėgnu oru, nes paviršiai gali būti slidūs, ir esant neigiamai temperatūrai, nes tuo metu net ir pats minkščiausias paviršius pasidaro labai kietas. Kai temperatūra nukrenta žemiau 0°C, priedus reikia nuimti ir laikyti patalpoje.
- Naudojant žaidimų aikštelę ar jai skirtus priedus kam nors kitam, negu jie yra skirti, galima juos sugadinti ar net susižaloti pačiam. Nesukiokite ir nelankstykite sūpynių, grandinių, virvių ar kitų elementų. Sukimas gali sumažinti dalių stiprumą, jose galima susipainioti.
- Įspėkite vaikus:
  - nešokinėti nuo judančių sūpynių
  - nesupti tuščių sėdynių ar kitų dalių
  - nesisupti kampu
  - nekabėti pasikabinus žemyn galva nuo jokios aikštelės dalies
  - negriebti ir nestabdyti vaiko ar kokios nors judančios dalies
  - neiti arti, priešais, tarp ar už judančių dalių
- Patarkite vaikams sūpynėse sėdėti per vidurį, visu svoriu ant sėdynės. Ant vienos sėdynės gali sėdėti tik vienas vaikas. Standartinis bokštas: vienu metu bokšte gali žaisti daugiausia 3 vaikai, kurių kiekvieno svoris turi neviršyti 50 kg. Standartinis bokštas su sūpynėmis: vienu metu bokšte gali žaisti daugiausia 5 vaikai, kurių kiekvieno svoris turi neviršyti 50 kg.
- Neleiskite vaikams laiptoti ar kaboti ant žaidimų aikštelės konstrukcinių rėmų. Nukritus galima rimtai susižaloti.
- Žaidimų zonoje neturi būti jokių konstrukcijų ir kliūčių.
- Kiekviena palikta atvira platformos vieta didina galimų nelaimingų atsitikimų pavojų. Šį pavojų galima gerokai sumažinti įtaisant tokias apsaugines priemones, kaip rankenos, apsauginiai tureklai ir tvorelės.
- Neleiskite vaikams leistis nuo čiuožyklos kaip nors kitaip, ne sėdint.

Stenkitės, kad į čiuožyklą iš pietų pusės nekristų tiesioginiai saulės spinduliai. Veikiamos tiesioginių saulės spindulių, dalys gali įkaisti. Prieš leisdami vaikams žaisti, įsitinkinkite, kad žaidimų aikštelės dalys nėra įkaitusios. Jeigu reikia, prieš leidžiant vaikams žaisti, aikštelę galima atvėsinti vandeniu. Prieš leisdami į ją vaikus, aikštelę sausai nuvalykite arba palaukite, kol nudžius. Jei ir norėtumėte suteikti vaikams daugiau malonumo, nepilkite vandens ant čiuožyklos. Vaikai nulsys per greitai.

### Reikalingi įrankiai (2 pav.)

- Matavimo juosta, 2. Pieštukas, 3. Rankinis pjūklas, 4. Medžio ir metalo dildė, 5. Elektrinis sujungimas, 6. Plaktukas, 7. Duslintis

### Standartiniai sujungimai varžtais (3 pav.)

- Sujungiamose dalyse išgręžkite 10 mm skersmens skylės.
- Plaktuku į angą įkalkite vamzdelį su sriegiu ir galvute. Išsikišusiu vamzdelio su sriegiu galvutės dalis turi sulįsti į medį.
- Ant varžto užmaukite spyruoklinę poveržlę, plokščiąją poveržlę ir apatinę varžto dangtelio dalį. Iš pradžių varžtą į vamzdelį su sriegiu siek įsukite ranka, tada priveržkite visus varžtus elektriniu gręžtuvu, naudodami 13 mm antgalį, kol spyruoklinę poveržlę visiškai suspausite tarp varžto galvutės ir plokščiosios poveržlės. Uždenkite varžto galvutę viršutine dangtelio dalimi.
- Jeigu varžtas yra per trumpas, rekomenduojame pragręžti viršutinę pragręžtos varžtui angos dalį ties storiausia vieta 22 mm skersmens grąžtu (15 mm ar giliau), kad sukant varžtas įeitų gilyn. Angą nubėicuokite. Kadangi varžto galvutė yra įleista, apsauginio galvutės dangtelio naudoti nebereikia.
- Jeigu varžtas yra per ilgas, išsikišančią jo dalį reikia nupjauti metalo pjūkliu. Jeigu briaunos yra aštrios, nudildykite jas dilde.

### Papildomos skylės (4 pav.)

Kad mediena nesuktų, prieš įsukant medvaržčius rekomenduojama išgręžti skylės. Šios skylės turi būti o10 mm trumpesnės už medvaržčius.

### Medvaržčiai (4 a pav.)

- Medvaržčiams išgręžkite o3 mm skersmens skylės.
- Labai svarbu, kad visų medvaržčių galvutės būtų įsuktos iki pat medinės detalės paviršiaus ir neilktų išsikišusių aštrių briaunų.

### XL Stealth™ medvaržčiai su kvadratine galvute (4 b pav.)

- XL Stealth™ edvaržčiams su kvadratine galvute iš pradžių išgręžkite o6mm skersmens skylės per abi dalis, kurias tvirtinsite.
- Ant medvaržčio užmaukite plokščiąją poveržlę ir apatinę varžto dangtelio dalį. Įkiškite medvaržtį į skylę ir priveržkite jį elektriniu gręžtuvu su T40 atgaliniu. Uždenkite varžto galvutę viršutine dangtelio dalimi.

Įspėjimas: varžtų ir medvaržčių priveržkite per stipriai!

Jei naudojamas kietmedis, priklausomai nuo medienos tankio, gali prirėikti išgręžti didesnio skersmens bandomąsias angas.

040\_805\_GS\_It\_0300\_20120911\_nA

# VISPĀRĪGAS DROŠĪBAS NORĀDES

Apšveicam Jūs ar Jungle Gym® komplekta iegādi, kuru variet pats vienkārši salikt. Ar šo Jungle Gym® komplektu Jums būs iespēja īsā laikā konstruēt drošu spēļu ierīci: tas būs garantēta priekā avots Jūs bērniem daudz gadu garumā.

Jungle Gym® komplekts sastāv no īpaši izveidotām detaļām. Šis materiāls ir veidots ļoti rūpīgi, par galveno mērķi štādot Jūsu bērnu drošību. Detaļām nav asu stūru vai izciļņu un tās ir pasargātas no jebkura veida laika apstākļu iedarbības. Visas komplekta detaļas atbilst EN 71-1,-2,-3,-8 & -9 privātai lietošanai (Eiropas Drošības standarts) gadījumā, ja rotaļliet laukums ir salikts un tiek lietots pareizi saskaņā ar šo rokasgrāmatu. Nenovirzieties no šiem plāniem vai nemainiet konstrukciju.

Bridinājumi. Izmantot tikai mājās. Tikai lietošanai ārpus telpām. Maksimālais lietotāja svars ir 50 kg. Nav piemērots bērniem, kas jaunāki par trim gadiem. Piemērots bērniem vecumā no trīs līdz desmit gadiem.

Šis produkts ir paredzēts tikai ģimenes lietošanai. Uzstādīšana sabiedriskās vietās vai publiska lietošana ir pretrunā ar šī produkta būtību.

Uzmanīgi izlasiet konstruēšanas norādes pirms sākat salikt iekārtu un saglabāiet šīs norādes turpmākiem gadījumiem.

## DROŠĪBAS NORĀDES

### Kokmateriāli

- Apstrādājiet visas zāģējuma vietas un galus ar āra apstākļiem piemērotu koksnes aizsardzības līdzekli vai krāsu, arī ar spiedienu apstrādātu koksnī, kas tiek lietota.
- Pievirsiet īpašu uzmanību daļām, kas saskaras ar zemi.
- Apstrādājiet ar krāsu arī iegremdētos caurumus un caurumus virvju kāpnēm un rāpšanās virvei

### Drošs spēļu laukums

- Novietojiet Playset uz irdenas stabilas virsmas, piemēram, zāle vai cietā smilšu slāni. Neuzstādi spēļu ierīci uz betona, grants, asfalta vai citām cietām virsmām.
- Zemes virsmai ir jābūt līdzenai. Nelīdzenā vietā uzstādi iekārta var sasvīties vai deformēties. Sasvere rada papildus slodzi uz savienojumiem un saitēm un ar laiku tās var atslābt un izkrist.
- Drošam spēļu laukumam jābūt 200 cm brīvai zīnai ap spēļu iekārtu uz visām pusēm. Nokrišana uz cietas virsmas var radīt nopietnu ievainojumu. Uzklāt zemes pārsegumu visā spēļu laukuma drošības zonā. Turpinājumā sniedzam ieteicamo zemes segumu sarakstu.

Ieteicamais materiāls	nenoblietēts dziļums
Divreiz malta mizu mulča	50 cm
Vienveidīgas zāģa skaidas	50 cm
Tīra grants	50 cm
Tīras smiltis	50 cm
Zālāja	

- Drošā spēļu laukumā nedrīkst atrasties nekādas citas būves, žogi, garāžas, mājas, pārkarušies zari, veļas auklas, elektriskie vadi un citi priekšmeti, kas var ietekmēt spēļu laukuma drošību.
- Novietojiet spēļu iekārtu uz takām un ietvēm.
- Jebkurai apmalei jāatrodas aiz spēļu laukuma. (Zemes pacēlumi, dzīvžogi vai citas apmales.

### Droša uzstādīšana

- Bērni nedrīkst atrasties uzstādīšanas laukumā un spēļu laukuma drošības zonā līdz brīdim, kad tas nav atbrīvots no citiem objektiem un spēļu ierīce ir pilnībā uzstādīta, visas detaļas ir labi piestiprinātas un pārbaudītas, visi instrumenti un citi priekšmeti ir savākti un aiznesti no spēļu laukuma.
- Spēļu iekārtas uzstādīšanu ieteicams veikt diviem pieaugušiem cilvēkiem, kuri spēj pacelt un nostiprināt sijas, rāmjus un citas smagas sastāvdaļas atbilstoši avotiem, lietojot kāpnēs vai sastātnes.
- Sistemātiski pārbaudīt visu daļu un grupu komplektāciju, salīdzināt ar detaļu sarakstu.
- Zāģējot, urbjot, krāsojot un saliekot spēļu iekārtu lietot atbilstošu drošības aprīkojumu (aizsargbrilles, putekļu masku un cimdus), li seviski strādājot ar presētu koksnī.
- Sekot montāžā lietoto darbarīku un iekārtu ražotāja drošības norādēm.
- Nestāvēt uz platformas līdz spēļu iekārta nav pilnībā samontēta, ja nevariet sasniegt augstākos punktus, lietojiet kāpnēs vai sastātnes.
- Lai novērstu spēļu iekārtas apgāšanos vai šūpošanos, tai ir jābūt droši noenkurotai. Ja augšnes apstākļi neļauj pienācīgi nostiprināt enkurus, tos var iecementēt. Pārlicinieties, ka enkuri nevar izstīdīt no stiprinājuma vietas, jo bērni var uz tiem pakļupt.
- Pēc montāžas ar metāla zāģi nogrieziet visus izvērztos skrūvju un citu stiprinājumu galus. Ar metāla vīli nolīdzināt visas asās šķautnes.
- Lai novērstu skabargu iedurušanos, apstrādāt koka daļas ar smilšpapīru. Tāpat ar smilšpapīru vai metāls vīli apstrādāt visus stūrus 3 mm rādiusā.
- Nepievienot vingrošanas iekārtai papildus ierīces, piemēram, virves, ķēdes, cietas auklas vai citus priekšmetus.
- Nekombinēt citu ražotāju produktus ar Jungle Gym® produktiem, jo tas var samazināt drošības līmeni.
- Kombinācijā ar Jungle Gym® šūpoļu āķiem lietot tikai virves stiprinājums Rope Lock™. Nelietot virves stiprinājums Rope Lock™ citiem mērķiem, piemēram, kāpšanai kalnos vai smagumu celšanai.
- Šūpoļu āķu LS skrūve jāieskrūvē kokā pilnībā un jāpievelk cieši pie šķērslīnijas. Tas ir svarīgi, lai noregulētu Jūsu šūpoļu āķus pareizajā stāvoklī. Nepareizi uzstādīti vai noregulēti šūpoļu āķi var salūzt un izkrist un būt par iemeslu ievainojumiem!
- Attālumam starp šūpoļu piederumiem (piemēram, šūpoļu sēdekļa) un zemi jābūt vismaz 35 cm.
- Attālumam starp piederumiem un rāmi jābūt vismaz 30 cm.
- Attālumam starp šūpoļu āķiem jābūt 45 cm.
- Attālumam starp šūpoļošanai piederumiem jābūt 45 cm.
- Rāpšanās virvei un virvju kāpnēm allaž jābūt nostiprinātiem gan augš-, gan apakšgalā, jo brīvi karājošas virve var samezgoties cilpā un bērni var tajā sapīties.

## PĀRBAUDE UN APKOPE

Lai nodrošinātu spēļu ierīces lietotāju drošību, ir jāveic regulāras pārbaudes vienreiz katras sezonas sākumā un turpmāk divreiz mēnesi lietošanas sezonas laikā. Ja regulāri netiek veikti apkopes darbi, aktivtāšu rotaļlieta var apgāzties vai radīt cita veida apdraudējumu.

### Koka sastāvdaļas

- Pārbaudīt vai nav radušās skabargas vai kādi citi strukturāli defekti.
- Periodiski veikt iekārtas apkopi ar koksnes aizsardzības līdzekļiem, lai novērstu puvi. Nelietot krāsu, jo tā var veidot slidenu virsmu.

### Detaļas

- Pārbaudīt visu detaļu nospirogojumu. Uzmanību: pārsprigotas detaļas var salauzt koku, kas var radīt dēļu sašķelšanos.
- Pārbaudīt, vai nav vērojama rūsa uz pārējām detaļām, atbalstiem un šūpoļu āķiem, rūsa var samazināt to stiprumu. Ja nepieciešams, nomainīt.
- Pārbaudīt zemes enkuru drošību. Ja nepieciešams, novietot tos citā vietā vai nomainīt.

### Piederumi (ja ir uzstādīti)

- Pārbaudīt virvju stiprinājumus Rope Lock™, ja tie ir uzstādīti uz Jungle Gym® šūpoļu āķiem. Lai pārbaudītu virvju stiprinājumus HC, ar visu savu svaru uz pāris sekundēm iekertes katrā no abām šūpoļu auklām. Virvju stiprinājumus SC var pārbaudīt ar visu savu svaru pāris sekundes uzsēžoties uz piederumiem. Ja nepieciešams, nomainīt. Ja ir dzirdama čikstoņa, virvju stiprinājumus HC var samitrināt ar ūdeni vai augu eļļu, piemēram, olīveļļu.
- Pārbaudīt šūpoļu sēdekļu un barjeru saderību un pārbaudīt šūpoļu virvju nodilumu un šķiedru plīsumus. Lai iegūtu labu priekšstatu par virves stāvokli, atvērt virves šķiedras tur, kur redzams nodilums un rūpīgi pārbaudīt, kurā vietā pavedieni ir pārplisuši. Pārbaudīt drošības jostu mazulu šūpolēm. Ja nepieciešams, nomainīt.
- Pārbaudīt slidkalniņa stiprinājumus pie platformas, šeit var būt radušās spraugas, kur var iekertes apgērbā daļas, piemēram, poģas.
- Visus piederumus var tīrīt ar siltu ūdeni un neitrālu mazgāšanas līdzekli. Stipri netīras daļas var tīrīt ar augsta augstspiediena tīrītāju. (Esiēt uzmanīgs un nesabojājiet slidkalniņa un koka daļu virsmas.)

### Drošs spēļu laukums

- Pārbaudīt, vai tieciens absorbējošā virsma nav pārlietu sapresējusies, ja nepieciešams, uzirdināt. Aizpildīt visus iedobumus, piemēram, zem šūpoļu sēdekļiem.
- Pārbaudīt spēļu iekārtas stabilitāti.
- Pārbaudīt apkārtejo vidi, vai nav kādi tieši briesmu avoti, piemēram, pārkarušies zari, veļas auklas, izmētāti materiāli.

### Vides aizsardzība

Spēļu ierīces koka daļas pēc noņemšanas nekādā gadījumā nedrīkst sadedzināt. Visas metāla daļas likvidēt tā, lai neradītu bīstamību. Nav pieļaujama presētas, krāsotas, vai ķīmiski apstrādātas koksnes dedzināšana pašu spēkiem, jo apkārteja vidē var nokļūt kaitīgie izmeši. Nogādāt šīs daļas vietējā atkritumu pārstrādes vietā.

## DROŠAS SPĒLES

### Uzmanību:

- Visu vecumu bērnu rotaļas visu laiku vajadzētu uzraudzīt kādam no pieaugušajiem.
- Māciet bērniem rotaļāties droši.
- Apgērbiet bērnus atbilstoši. Izvairieties no apģērbā ar lielām poģām, brīvi kritošiem apģērbiem un ap kaklu apsietiem apģērbā gabaliem, kas var aizķerties vai sapīties aprikojumā. Tāpat arī velosipēdistu ķiveres ir jānoņem pirms rotaļāšanās ar spēļu laukuma aprīkojumu.
- Pēdējais, bet ne mazsvarīgais: ļaujiet veselajam saprātam izvairīties no jebkurām iespējamajām bīstamajām situācijām.
- Jungle Gym® produkti ir konstruēti bērniem no 3 līdz 10 gadiem, ja nav norādīts citādi.

### Drošas spēles (att. 1)

1. Ar aprīkojumu nevar rotaļāties mitrā laikā un salā, jo virsmas var kļūt slidenas, pat mīkstākais segums var kļūt par ļoti cietu virsmu. Piederumus ir jānoņem un jāienes iekštelpās, ja gaisa temperatūra ir zemāka par 0° C (32° F).
2. Lietojot rotaļu laukumu vai piederumus citādi, nekā tie paredzēti, var radīt bojājumus vai pat ievainojumus. Nedrīkst tīt vai sagriezt šūpoles, ķēdes, virves vai citus piederumus. Tīšana samazinās piederumu stiprību un var iekļēties.
3. Brīdināt bērnus – nedrīkst:
  - lekt no šūpolēm to kustības laikā
  - šūpot tukšas šūpoles vai citus piederumus
  - šūpoties leņķī
  - karāties ar galvu uz leju no jebkuras vingrošanas iekārtas vietas
  - ķert vai apturēt citus bērnus kustīgā aprīkojumā
  - staigāt tuvu pie kustošiem piederumiem no priekšpuses, sāniem vai aizmugures.
4. Brīdināt bērnus, ka jāšēž šūpoļu centrā ar visu svaru uz sēdekļa. Vienā sēdekļī ir pieļaujama tikai viena bērna sēdēšana. Standarta pilons: vienlaikus maksimāli 3 bērni drīkst atrasties spēļu iekārtā vienlaicīgi, katrs no tiem nedrīkst būt smagāks par 50 kg. Standarta pilons ar šūpolēm: maksimāli 5 bērni var rotaļāties spēļu iekārtā vienlaicīgi, katrs no tiem nedrīkst būt smagāks par 50 kg.
5. Kāpšana uz spēļu iekārtas rāmja vai karāšanās no tā ir jānoliez. Nokrītot var gūt nopietnus ievainojumus
6. Rotaļu laukumā nedrīkst atrasties nekādas celtnes un traucēkļi.
7. Katrs valējs laukums platformā palielina nelaimes gadījumu iespēju. Risku var ievērojami samazināt, uzstādot papildus drošības elementus, piemēram, rokturus, drošības apmales un ierobežojuma dēļus.
8. Neļaut bērniem slidināties no slidkalniņa savādāk, kā tikai sēdus stāvoklī. Izvairīties no dienvidu saules staru iedarbības uz slidkalniņa. Visas sastāvdaļas tiešu saules staru iedarbība var sakarst. Pārlicināties, ka spēļu iekārta nav sakarsusi, pirms ļaujiet bērniem ar to rotaļāties. Ja nepieciešams, spēļu iekārtu var atdzēsēt ar ūdeni, pirms lietošanas nožavēt. Neliet ūdeni uz slidkalniņa slidināšanās laikā.

### Ieteicamie darbarīki (att. 2)

1. Mērenite, 2. Zīmulis, 3. Zāģis, 4. Koka & metāla vīle
5. Elektriskais urbis, 6. Āmurs, 7. Garais līmenis

### Standarta bultskrūvju savienojumi (att. 3)

- Izurbt o 10 mm caurumus savienojamajās daļās.
- Ar āmuru iesist skrūves kāju caurumā. Izvirzītajai skrūves daļa ir jābūt pilnīgi iedziļtai kokā.
- Skrūves galam uzlikt sprostgredzenu, pēc tam plakano blīvi un uzgriežņa augšējo daļu. Sākt pakāpeniski nospiegot uzgriezni ar roku pirms lietojot elektrisko urbi ar 13 mm uznavu un pievelciat katru skrūvi tā, lai sprostgredzens ir pilnībā saspiests starp skrūves galviņu un plakano blīvi. Uzlikt bultskrūvei aizsardzības vāciņu.
- Ja bultskrūve ir pārāk īsa, mēs iesakām koka plānkājā daļā urbuma augšdaļu 15 mm vai lielākā dziļumā padziļināt ar o 22 mm urbi tā, lai bultskrūve būtu pilnībā iegremdēta pēc montāžas beigām. Apstrādāt caurumu ar krāsu. Šajā gadījumā nav jālieto bultskrūves drošības vāciņš, jo skrūves galviņa jau ir iegremdēta.
- Ja bultskrūve ir pārāk gara, nepieciešams lieko garumu nogriezt ar metāla zāģi. Ja rodas jebkāda asa šķautne, nolīdzināt to ar vīli.

### palīgcaurumi (att. 4a+4b)

Lai novērstu koka plaisāšanu, ieteicams izurbt palīgcaurumus visām skrūvēm. Šiem palīgcaurumiem jābūt 10 mm īsākiem par skrūves garumu.

### koka skrūves (att. 4a)

- Izurbt o 3 mm palīgcaurumus koka skrūvēm.
- Ir ļoti svarīgi, lai skrūvju augšgalā būtu vienā līmenī ar koka virsmu un neizceļas asas šķautnes.

### XL Stealth™ fiksācijas skrūves (att. 4b)

- XL Stealth™ fiksācijas skrūvei vispirms izurbt o 5 mm caurumu caur abām sastiprināmajām daļām.
- Uzlikt plakano blīvi un daļu no bultskrūves vāciņa skrūves kājai. Ievietot skrūvi caurumā un ar T40 elektriskā urbi uznavu nospiegot. Augšgalam uzlikt bultskrūves aizsardzības vāciņu.

Uzmanību: nepārsprigot bultskrūves un skrūves!

Gatavojot kokmateriālu, var rasties nepieciešamība ieurbt sākumcaurumus ar lielāka diametra urbi. Tas ir atkarīgs no kokmateriāla biežuma.

040\_805\_GSI\_lv\_0300\_20120911\_n1A

## SIKKERHETSINSTRUKSJONER

Gratulerer med din anskaffelse av Jungle Gym® lekeapparat. Med dette "gjør det selv" settet, kan du enkelt og raskt bygge et sikkert stativ som vil bli meget populært hos dine barn i mange år fremover.

Jungle Gym® sett inneholder spesielt utviklet beslag og festemateriell. Alle delene er designet med stor omtanke på barns sikkerhet. Det er ingen skarpe kanter eller utstikkende deler. Materialene er sikre uansett vær og temperatur. Alle delene i settet er produsert og godkjent i henhold til EN 71-1, -2, -3, -8 & -9 (ESS - European Safety Standard) for privat bruk, under forutsetning av at lekeapparatet monteres, og brukes i henhold til monteringsanvisningen. Ikke foreta avvik fra monteringsanvisningen, eller forsøk å endre design.

no

Advarsler. Kun for privat bruk. Kun for bruk utendørs. Maksimumsvekt for brukeren er 50 kg. Ikke egnet for barn under tre år. Egnet for barn fra tre til ti år.

Dette produktet er hensiktsmessig å bruke for enkelthusstander. All offentlig bruk av dette apparatet betegnes som misbruk.

Les nøye gjennom manualen før du starter monteringen. Ta vare på disse instruksjonene for eventuell bruk i fremtiden.

## SIKKERHETSINSTRUKSJONER

### Tommer

- Spesielt viktig er det for trykkimpregnert trevirke at det behandles med olje der hvor det er boret eller sagt. Deler som er i direkte kontakt med bakken, bør også behandles ekstra godt med olje.
- Alle hus og fresepor som er foretatt i trevirke må behandles med impregnering, for ikke å svekke kvaliteten på trevirket.

### Trygt lekeområde

- Plasser lekesett på en fast dekke jevn overflate, for eksempel gress eller et solid lag av sand. Monter ikke stativet på hardt underlag (betong, asfalt m.m.) da et fall på dette underlaget kan forårsake store skader.
- Grunnen hvor apparatet skal stå bør være plant. Hvis apparatet monteres på ujevnt underlag kan dette forårsake bevegelse i apparatet, og over tid forringe kvaliteten og sikkerheten.
- Et trygt lekeområde betyr at det skal være en sikkerhetssone på 200 cm rundt hele lekeapparatet. Fyll den støtdempende beskyttelsen i hele sikkerhetssonen. Dersom det er nødvendig, installer en egen støtdempende beskyttelse på bakken som for eksempel:

dobbelt oppskjært fuktig bark	dybde på 50 cm
trellis	dybde på 50 cm
fin sand	dybde 50 cm
fin grus	dybde 50 cm
gress	

- I sikkerhetssonen må det ikke være steiner, gjenstander, gjerder, garasje, hus, overhengende grener fra trær, klessnorer, elektriske ledninger eller andre ting som kan gjøre det farlig å bruke lekeapparatet.
- Stativet bør heller ikke monteres i nærheten av gangvei og lignende.
- Eventuelle fysiske avgrensninger for å holde sand etc. på plass, eller gjerder rundt lekeplassen, må monteres på sikker avstand fra lekeapparat, slik at disse ikke kommer i konflikt, og kan skape farlige situasjoner for barna under lek.

### Sikker montering

- Barn bør holde seg borte fra plassen til stativet er ferdig montert og alle løse deler er ryddet bort.
- Det kreves minst to personer for å bygge stativet. Det tar ca 1 time å montere et huskestativ, og ca 4 timer å montere et klatretårn.
- Kontroller alle delene, og se at det er riktig antall i henhold til anvisningen.
- Benytt hensiktsmessige klær og sikkerhetsutstyr (arbeids-briller, støvmaske og hansker), når du sager, driller, maler eller monterer stativet, spesielt viktig hvis du arbeider med trykkimpregnerte materialer.
- Følg produsentens sikkerhetsanbefalinger for verktøy og utstyr.
- Ikke stå på plattformen for apparatet er komplett ferdigmontert. Bruk stige hvis du ikke rekker høyt nok.
- Stativet må forankres forskriftsmessig til bakken for å unngå at det beveger seg under lek. Benytt Jungle Gym® Forankringsbolter for å unngå dette. Hvis grunnen er myk, bør forankring stopes i bakken. Påse at forankring ikke stikker over bakken, slik at barna ikke kan skade seg på dem.
- Etter montering, bør en metallsgag (baufil) benyttes for å kutte bort utstikkende deler fra bolter og annet festemateriell.
- Benytt sandpapir eller annet slipemateriale for å fjerne splinter, eller ujevne kanter i trevirket. Puss også endestokker og andre skarpe kanter bort fra trevirket.
- Ikke fest annet tilbehør til stativet som for eksempel kjetting, wire. Benytt heller ikke utstyr fra andre merker enn Jungle Gym på stativet, da dette kan forringe sikkerheten.
- Kombiner ikke produkter fra andre produsenter med Jungle Gym® produkter, da dette vil kunne minke sikkerheten.
- Ved evt. Montering av andre tau eller lignende, bør Jungle Gym® Taulås benyttes, sammen med Jungle Gym® Swing Hook.
- Huske-tauet på huske-kroken (Swing Hook LS) må skrues helt inn i trevirket, slik at det kommer helt inn til tverrbjelken
- Avstanden fra huske (eller tilsvarende bevegelige apparater), og ned til underlaget bør være min. 35 cm.
- Avstanden mellom huske og til ramme bør være min. 30 cm.
- Avstanden mellom huske-kroken skal være 45 cm.
- Avstanden mellom huskene/gyngene skal være 45 cm.
- Et klatretau bør sikres (festes) i begge ender, for å unngå at barn klemmes eller kveles i tauet.

## INSPEKSJON OG VEDLIKEHOLD

For å ivareta sikkerheten på lekeapparatet, må apparatet ha ettersyn i begynnelsen av hver brukssesong, og 2 ganger pr. måned under sesongen. Hvis vedlikeholdet ikke utføres regelmessig, kan leketøyet velte eller på annen måte utgjøre en fare.

### Trevirke

- Sjekk for splinter eller potensielle svakheter i trevirket.
- Ivareta trevirket med oljeimpregnering eller liknende for å unngå råte og/eller uttørring. Benytt ikke blank maling som gir glatt overflate.

### Beslag og festemateriell

- Kontroller at alle bolter og skruer sitter godt fast. (NB! Dersom bolter og lignende strammes for hardt kan dette forårsake at trevirket splintres.
- Kontroller at det ikke forekommer rust på noe av festemateriell-let. Bytt hvis nødvendig.
- Kontroller at festene i bakken sitter godt – slik at de ikke kan løse. Hvis de er løse, må du flytte festene i bakken, eller lage nye fester.

### Tilbehør

- Sjekk taulåser, at disse sitter forskriftsmessig fast. Heng med full kroppsvekt i tauene for å kontrollere at tauene ikke sklir ut av feste. Heng opp nye tau dersom de gamle er slitt. Hvis taulåsene knirker, kan de fuktes med vann eller vegetabilisk olje, som f.eks. olivenolje.
- Sjekk huskeseter og bjelker for helhet og sjekk husketau for slitasje i fibrene. For å gi god bedømmelse på kvaliteten til tauet, sjekk sikkerhetsbeltet på baby-husken. Erstatt ved behov.
- Kontroller festet for rutsjebanen, at denne ikke har sprekker eller gliper, som kan forårsake at barna kan henge seg fast med tøy, seler etc.
- Alle artikler kan rengjøres med varmt vann, og eventuell en mild såpe og svamp kan benyttes. Dersom noen av artiklene er spesielt skitne, kan høytrykkspylere benyttes.

### Trygt lekeområde

- Påse at underlaget ikke er hardpakket. Dette bør løses opp. Spesielt under huskene er det vanlig at det dannes seg "groper". Disse bør fylles igjen med støtdempende materiale.
- Kontroller stativets stabilitet.
- Kontroller omgivelsene for overhengende grener, tørketau m.m.

### Miljøvern

Brenn ikke resterende trevirke på stedet. Det er spesielt miljøfarlig og ulovlig å brenne behandlet trevirke, da spesielt tryk-impregnert trevirke. Impregnert avfall bør leveres til nærmeste avfallsdepot.

## SIKKER LEK

### NB

- Stativet må overvåkes av voksen person under bruk.
- Lær barna å leke sikkert
- Jungle-Gym er konstruert for barn i alderen 3-10 år, med mindre annet er indikert.
- Påse at barna er kledd hensiktsmessig. Strikk og løse artikler kan feste seg i apparatet og forårsake skade.
- Sist men ikke minst; bruk sunn fornuft, og påse at barna ikke blir utsatt for farlige situasjoner.

### Sikker lek (ill 1)

- Apparatet bør ikke benyttes i fuktig vær eller frost, da det kan forekomme glatte overflater på stativet. T.o.m. det mykeste underlaget kan bli hardt når det er kaldt. Stativets tilbehør bør demonteres og tas innendørs ved temperaturer under 0 gr. C.
- Benytt ikke apparatets tilbehør til annet enn hva det er beregnet for. Delene kan skades, og defekte deler kan forårsake skader. Ikke vri eller bøy husker, kjettinger, tau eller annet tilbehør. Slik behandling kan forårsake redusert kvalitet på tilbehøret, og forårsake skader.
- Barn bør ikke:
  - hoppe av husker i bevegelse.
  - Huske tomme husker eller andre huske-artikler
  - Huske utenom normalvinkel.
  - Henge opp/ned fra stativet.
  - Gripe eller stoppe andre barn som er i bevegelse i apparatet.
  - Være foran eller bak artikler som er i bevegelse.
- Oppfordre barna til å sitte midt på huskesetet, med full vekt på setet. Det bør ikke være mer enn et barn på hvert sete, klatretau, eller taustige av gangen. På et klatrestativ bør det ikke være mer enn 3 barn av gangen, med totalvekt på max. 50 kg. hver. Et klatrestativ med tilleggsmontert huskestativ bør ikke benyttes av mer enn 5 barn med maksvekt på 50 kg., samtidig.
- Barn bør ikke klatre eller henge fra stativets bærekonstruksjon (ramme), da barna kan skade seg ved fall.
- Lekeområdet må være fritt for alle slags gjenstander og hin-dringer.
- Hvert usikrede (åpne) steder på et klatrestativ øker risikoen for skade. Sikkerheten reduseres ved å montere håndtak, gelender m.m.
- Ikke tillatt barna å benytte rutsjebanen i annet enn sittende stilling. Unngå at rutsjebanen utsettes for sterkt sollys, da denne kan oppvarmes og barn kan brenne seg. Påse at denne ikke er overopphetet for bruk. Hvis nødvendig kan rutsjebanen kjøles ned med vann. Tørk stativet for bruk.

### Nødvendig verktøy (ill. 2)

- Målbånd, 2. Blyant, 3. Stikksag, 4. Tre og metall fil
- Elektrisk drill (evt. Kraftig batteridril), 6. Hammer, 7. Vater

### Standard bolt-koblinger (ill. 3)

- Bor et hull med ø 10 mm i de delene som skal festes.
- Slå gjengestykket (mottaksmutteren) inn i trevirket.
- Tre sprengskiven på bolten, og deretter, bolthetten, og til sist sokkelen for boltdekslet. Begynn å dra til bolten inn i mottaks-mutteren for hånd, og fortsett med en 13 mm fastskelbitset i din elektriske drill for å dra til hver bolt, helt til sprengskiven er fullstendig presset mellom hodet på bolten og planskiven. Lukk beskyttelseshetten på bolten med hetten.
- Hvis det viser seg at bolten er for kort, anbefaler vi å bore i motsatt retning i den øverste delen av hullet i den tykkeste de-len av trevirket, med et bor på ø22 mm, til en dybde på 15 mm eller mer, slik at bolten vil synke inn etter monteringen. Mal over det hullet som oppstår. Ettersom bolten nå er freset inn trenger du ikke bruke bolt-beskyttelseshetten.
- Hvil bolten er for lang, er det nødvendig å fjerne utstikker med en metallsgag. Hvis det dannes skarpe Utstikkere benytt metall-fil for å fjerne dette.

### Forbore (ill 4a+4b)

For å unngå at trevirket skal sprekke, forbore før montering. Du bør ikke forbore mer enn 10 mm kortere enn skruens lengde, for å sikre at skruen får tak i trevirket.

### Treskruer (ill. 4a)

- Bor ø3 mm pilot-hull for treskruer.
- Det er svært viktig å kontrollere at toppen på alle skruer går jevnt med overflaten på trevirket, slik at det ikke er noen skarpe kanter som stikker fram.

### XL Stealth™ gjennomgående skruer (ill. 4b)

- For XL Stealth™ gjennomgående skruer må du først bore et hull ø5 mm gjennom boltene som skal festes.
- Tre planskiven og sokkelen for boltdekslet på bolten. Plasser skruen i hullet, og skru med T40 fastnøkkelbitset i din elektriske drill for å dra til. Lukk beskyttelseshetten på bolten med toppen.

Viktig: Ikke dra til boltene og skruene for hardt!

Hvis du burker hardtre, anbefaler vi å forbore med tykkere diameter, avhengig av tettheten (hardheten) på trevirket.

040\_805\_GSI\_no\_0100\_20101018\_nIA

# OGÓLNE WSKAZÓWKI DOTYCZĄCE BEZPIECZEŃSTWA

Gratulujemy zakupu zestawu Jungle Gym® do samodzielnego montażu. Dzięki niemu będziecie Państwo mogli zbudować bezpieczny plac zabaw dla dzieci w krótkim okresie czasu: gwarantowaną przyjemność dla Państwa dzieci na wiele lat.

Zestaw Jungle Gym® zawiera specjalnie opracowane oprzyrządowanie, które zostało zaprojektowane z najwyższą starannością i, przede wszystkim, dbałością o bezpieczeństwo dzieci. Poszczególne elementy nie posiadają ostrych luków ani odstających części oraz zostały zabezpieczone przed wszelkimi wpływami środowiska. Wszystkie elementy w zestawie odpowiadają standardom EN 71-1,-2,-3,-8 & -9 (Europejskie Standardy Bezpieczeństwa) dotyczącym sprzętu przeznaczonego do użytku prywatnego pod warunkiem, że wszystkie elementy tego zestawu zostaną zmontowane i będą używane zgodnie ze wskazówkami podanymi w instrukcji obsługi, której należy ściśle przestrzegać. W szczególności nie należy zmieniać sposobu montażu i przeznaczenie elementów w zestawie.

Ostrzeżenia. Wyłącznie do użytku domowego. Tylko do użytku na zewnątrz pomieszczeń. Maksymalna masa ciała użytkownika to 50 kg. Nie nadaje się dla dzieci w wieku poniżej 3 lat. Dla dzieci pomiędzy trzecim a dziesiątym rokiem życia.

Produkt ten jest przeznaczony do użytku domowego. Nie wolno go instalować w miejscach publicznych.

Przez rozpoczęciem montażu prosimy starannie i szczegółowo zapoznać się z treścią niniejszej instrukcji oraz przechowywać ją w bezpiecznym i dostępnym miejscu.

## WSKAZÓWKI DOTYCZĄCE

## BEZPIECZEŃSTWA

### Drewno

- Należy również zwrócić szczególną uwagę na wszystkie części, które będą w bezpośrednim kontakcie z ziemią (gruntem).
- Wszystkie powierzchnie oraz końcówki należy potraktować środkiem ochronnym zewnętrznym celem zabezpieczenia drewna przed gniciem, także w przypadku drewna po obróbce ciśnieniowej.
- Bejca należy także zabezpieczyć wszystkie zagłębienia (na śruby) oraz otwory do przymocowania drabinki lub liny do wspinania się.

### Strefa bezpieczeństwa

- Umieść playset na nieutwardzonych stabilnej powierzchni, np trawy lub stałej warstwy piasku. Zestawu nie należy montować na powierzchni betonowej, żwirowej czy asfaltowej.
- Powierzchnia do montażu musi być płaska. Instalowanie zestawu na powierzchni spadzistej może spowodować, że cała konstrukcja wygnie się w którąś stronę. Wygięcie takie do także dodatkowe obciążenia wszystkich połączeń w konstrukcji, co z upływem czasu może spowodować, iż niektóre z nich poluzują się i wypadną.
- Strefa bezpieczeństwa to obszar na odległość 200 cm poza całym zmontowanym zestawem do zabawy, po wszystkich jego stronach.
- Upadek na taką twarą powierzchnię może spowodować poważnymi obrażeniami. Podkład należy umieścić w strefie bezpieczeństwa dla zestawu. Poniżej znajduje się wykaz zalecanych rodzajów nawierzchni.

### Zalecany materiał:

	Głębokość (nieskompresowana)
Podwójnie ścięta mierzwa kory	50 cm
Trociny (słinki drewna) jednolite	50 cm
Drobnziarnisty żwir	50 cm
Drobnziarnisty piasek	50 cm
Trawie	

- W strefie bezpieczeństwa nie mogą znajdować się żadne przedmioty czy przeszkody takie jak plot, garaż, dom, wystające gałęzie drzew, sznury na bieliznę, przewody elektryczne.
- Zestawu nie należy montować w kierunku ścieżek lub przejść.
- Jakiegokolwiek zabezpieczenia brzegów (drewna ozdobne lub inne) muszą znajdować się poza strefą bezpieczeństwa.

### Bezpieczna instalacja

- Na miejsce montażu zestawu nie należy wpuszczać dzieci, dopóki wszystkie prace montażowe nie zostaną zakończono, wszystkie części i elementy dokładnie sprawdzone, a narzędzia oraz inne przedmioty i ewentualne usunięte.
- Przy pracach montażowych potrzebne są co najmniej dwie osoby do podnoszenia i przytrzymywania belek i innych elementów konstrukcji zanim zostaną one zamocowane i przykręcone na stałe.
- Przed przystąpieniem do montażu należy sprawdzić czy w zestawie dostarczono wszystkie niezbędne elementy. Należy je pogrupować i ułożyć tak, aby były łatwo dostępne.
- Przy pracach montażowych (pilowaniu, wierceniu, ścieraniu czy bejcowaniu) należy mieć na sobie odpowiednią odzież ochronną (np. okulary ochronne, maski przeciwpyłowe, rękawice). Ma to szczególne znaczenie w przypadku pracy z drewnem po obróbce ciśnieniowej.
- Podczas montażu zestawu należy bezwzględnie przestrzegać zaleceń producenta, co do urządzeń i innego sprzętu wykorzystanego podczas prac.
- Przed całkowitym zakończeniem montażu nie należy stawać na konstrukcji. Aby osiągnąć do wyższych części konstrukcji należy stanąć na drabince.
- Cały zestaw należy dokładnie i stabilnie zmontować w takim sposób, aby nie możliwe było jego przewrócenie czy kołysanie. Jeśli gleba, na której zamontowany jest zestaw jest na tyle miękka, że ciężki i inne elementy drewniane łatwo z niej wychodzą, konieczne jest ich zacementowanie. Dla bezpieczeństwa dzieci, należy upewnić się, aby elementy mocowania zestawu (kotwiczki) do gruntu nie wystawały.
- Po zmontowaniu zestawu należy, przy użyciu pilnika do metalu, odpolować wszelkie wystające części śrub, sworzników i innych elementów użytych do mocowania. Ostre brzoży należy wygładzić pilnikiem.
- W celu uniknięcia drzazg i odprysków drewna, należy drewno wyszlifować papierem ściernym. Zaleca się także wygładzić, papierem ściernym lub pilnikiem, wszystkie rogi w promieniu 3 mm.
- Do zestawu nie należy doczepiać żadnego dodatkowego oprzyrządowania jak np. łańcuchy, liny ciężkie kable itd.

- Produktów Jungle Gym® nie należy łączyć z produktami oferowanymi przez innych wytwórców, gdyż mogłoby to obniżyć poziom bezpieczeństwa.
- Zatraski Rope Locks™ należy stosować wyłącznie z haczykami (zaczepami) przeznaczonymi dla Jungle Gym®. Zatrasków nie należy stosować do innych celów np. wspinaczki górskiej czy ciągnięcia ładunków.
- Gwint śrubowy zaczepu do huśtawki Swing Hook LS należy wkręcić do drewna do końca i mocno do belki poprzecznej. Ważne jest, aby zaczep do huśtawki Swing Hook był umocowany o odpowiedniej pozycji. W przeciwnym wypadku grozi to złamaniem się lub wypadnięciem zaczepu oraz poważną kontuzją!
- Odległość pomiędzy elementami huśtawki (np. siedzeniem huśtawki) a ziemią powinna wynosić min. 35 cm.
- Odległość pomiędzy tymi elementami a ramą konstrukcji powinna być nie mniejsza niż 30 cm.
- Odległość pomiędzy zaczepami do huśtawki powinna wynosić 45 cm.
- Odległość pomiędzy elementami huśtawki powinna wynosić 45 cm.
- Lina i drabinka do wspinania się muszą być zawsze zabezpieczone zarówno od góry jak i dołu. W przeciwnym wypadku, liny mogą się splątać, co może być niebezpieczne dla dzieci.

## KONTROLA I SERWISOWANIE

W celu zapewnienia bezpieczeństwa użytkowników zestawu, należy kontrolować jego sprawność zgodnie z poniższymi wskazówkami zawsze na początku każdego sezonu, a następnie w trakcie sezonu dwa razy w miesiącu. Jeżeli kontrola konserwacyjna nie są regularnie wykonywane, zabawka może się wywrócić lub stać się w inny sposób niebezpieczna.

### Części drewniane

- Drewniane elementy należy sprawdzić pod kątem drzazg, odprysków drewna i innych uszkodzeń konstrukcyjnych.
- W celu zabezpieczenia drewna przed gniciem należy systematycznie stosować środki konserwujące do zewnątrz. Nie należy w tym jednak stosować farby, które może spowodować, iż powierzchnia drewna będzie śliska.

### Oprzyrządowanie

- Należy sprawdzić prawidłowe zamocowanie wszystkich elementów oprzyrządowania. Uwaga: zbyt mocne zamocowanie powoduje, iż włókna drewna zgniatają się, w wyniku czego drewno ulega rozwarstwieniu.
- Należy także sprawdzić wszystkie inne elementy metalowe takie jak wspomniki i zaczepy (haki) do huśtawki pod kątem wystąpienia śladów gnicia. W razie potrzeby, należy te elementy wymienić.
- Kotwiczki (zaczepy do ziemi) także powinny zostać sprawdzone. W razie potrzeby, należy ją wymienić lub ponownie zamocować.

### Aksesoria (w razie konieczności)

- Należy sprawdzić, czy zatraski są prawidłowo zamontowane do haczyków (zaczepów) do huśtawki. W celu sprawdzenia zatrasków Rope Locks HC, przez kilka sekund należy rozhuścić każdą z lin całą masą ciała. Aby sprawdzić zatraski Rope Locks SC., należy uisnąć całym ciężarem ciała na huśtawkę na kilka sekund. W razie potrzeby, wymienić. Jeśli pojawią się jakiegokolwiek piski, zatraski Rope Locks HC można nawilżyć wodą lub olejem jadalnym (np. oliwą z oliwek).
- Sprawdzić należy także siedzenia huśtawek, słupki, oraz liny pod kątem nadmiernego strzępienia się włókien. W celu prawidłowej oceny jakości, w miejscu, w którym pojawiły się ślady strzępienia należy lekko odwinąć strzępki liny i sprawdzić, czy włókna nie są pęknięte. Należy sprawdzić także pas bezpieczeństwa w huśtawce dla niemowląt. W razie potrzeby, wymienić.
- Należy także sprawdzić zamocowanie ślizgawki na platformie pod kątem szczeliny, w których mogłyby zaplątać się części odzieży np. kurtki z kapturem.
- Wszystkie elementy i części można zmyć wodą z dodatkami delikatnych detergentów. Jeśli ślizgawka jest bardzo zabrudzona, w celu jej oczyszczenia można użyć wody pod ciśnieniem. Należy uważać, aby podczas czyszczenia nie uszkodzić powierzchni ślizgawki.

### Strefa bezpieczeństwa

- Należy sprawdzić, czy powierzchnia amortyzująca nie jest zbyt ścięnięta. W razie potrzeby, należy poluzować. Wszelkie otwory, dziury i zagłębienia np. bezpośrednio pod siedzeniem huśtawki należy zapieścić.
- Należy sprawdzić stabilność całego zestawu
- W okolicy zestawu nie mogą znajdować się żadne przeszkody np. odstające gałęzie, sznury na pranie itd.

### ochrona środowiska

Zużytych części drewnianych zestawu nie należy nigdy spalać. Wszystkich części metalowych należy pozbyć się w taki sposób, aby nie powodowały one zagrożenia. Nie wolno samemu spalać drewna po obróbce ciśnieniowej, drewna malowanego i bejcowanego, gdyż proces ten emituje zanieczyszczenia. W celu utylizacji zużytych elementów należy oddać je do punktu utylizacji odpadów.

## BEZPIECZNA ZABAWA

### Uwaga!

- Podczas zabawy, dzieciom w każdym wieku powinny towarzyszyć zawsze osoby dorosłe.
- Dzieci powinny wcześniej dowiedzieć się, jak należy bawić się bezpiecznie
- Dzieci należy także odpowiednio ubrać. Należy unikać odzieży z odstającymi, luźnymi częściami, które mogłyby się łatwo wplątać w różnych miejscach podczas zabawy.
- Podczas zabawy dzieci nie powinny także mieć wokół szyi zawieszonych żadnych luźnych przedmiotów. Przed korzystaniem z platformy, należy także ściągnąć kaski chroniące głowę podczas jazdy rowerem.

### Bezpieczna zabawa (rys. 1)

1. Z zestawu dzieci nie powinny korzystać w złych warunkach pogodowych. Niebezpieczne mogą być bowiem wszelkie śliskie nawierzchnie, a w okresie mrozów, nawet najbardziej miękka powierzchnia może bardzo stwardnieć. Urządzenia należy usunąć i przechowywać w pomieszczeniach zamkniętych jeśli temperatura na zewnątrz spadnie poniżej 0 stopni Celsjusza.

2. Korzystanie z urządzeń do zabawy w sposób inny, niż taki, do którego zostały one zaprojektowane może spowodować kontuzje lub poważne uszkodzenia ciała. Nie należy zginać ani skręcać łańcuchów, lin ani innych części zestawu. Skręcanie zmniejszy ich odporność i wytrzymałość, co może być niebezpieczne.

### 3. Należy ostrzec dzieci, aby:

- nie zeskakiwały z huśtawek podczas huśtania się
- nie huśtały pustych siedzeń huśtawek
- nie huśtały się pod kątem
- nie wisiwały do góry nogami z jakiegokolwiek części zestawu
- nie łapaly lub zatrzymywały innych dzieci podczas huśtawiania się
- nie podchodzili zbyt blisko do urządzeń w ruchu

4. Należy także ostrzec dzieci, aby na huśtawkach siedzieli w samym środku całą masą ciała. Na jednym siedzisku może bawić się tylko jedno dziecko. Wieszczka standardowa: mogą bawić się maksymalnie trzy osoby, każda o wadze ciała nie większej niż 50 kg. Wieszczka standardowa z huśtawką: może bawić się maksymalnie pięć osób, każda z nich o wadze ciała nie większej niż 50 kg.

5. Dzieciom nie wolno zwiasać na ramie konstrukcji. W razie upadku, dzieci mogą odnieść poważne obrażenia.

6. Wokół zestawu nie mogą znajdować się żadne przeszkody i inne konstrukcje.

7. Każda otwarta przestrzeń na platformie zwiększa ryzyko wypadków. Ryzyko to można znacznie zmniejszyć montując dodatkowej uchwyty, słupki i belki zabezpieczające.

8. Dzieciom nie wolno zjeżdżać ze ślizgawki inaczej niż na siedząco. Dodatkowo, ślizgawka nie powinna być wystawiona na działanie promieni słonecznych od południa. Zbyt duże nasłonecznienie może spowodować, że wszystkie elementy zestawu będą bardzo nagrzane. Należy się upewnić, że żaden z elementów zestawu nie jest gorący od słońca zanim dzieci zaczną się bawić. W razie potrzeby, można schłodzić wodą, a następnie wysuszyć. Nie należy polewać wodą ślizgawki w celu lepszej zabawy. Z mokrej ślizgawki dzieci będą zjeżdżać zbyt szybko, co może być niebezpieczne.

### Potrzebne narzędzia (rys. 2)

1. Taśma miernicza, 2. Ołówek, 3. Piłka ręczna, 4. Pilnik do drewna / pilnik do metalu, 5. Wiertarka elektryczna, 6. Młotek, 7. Poziomica

### Łączenie wkrętami standardowymi (rys. 3)

- W częściach, które mają zostać połączone wywierć otwór o średnicy 10 mm.
- Do otworu wbij młotkiem bezułkową (wystająca część) nakrętki. Odstająca część powinna być także schowana w środku w drewnie.
- Umieść podkładkę blokującą na trzonku wkrętu, następnie płaską nakrętkę i dolną część nasadki wkrętu. Wstępnie zaciśnij wkręt w podkładkę ręcznie a następnie przy pomocy 13 mm nakładki w wiertarkę elektrycznej zaciśnij każdy wkręt do momentu, kiedy zgjęcie podkładki blokującej będzie w pełni ściśnięte pomiędzy główką wkrętu a płaską podkładką. Na wkręt nałóż zatyczkę.
- Jeśli wkręt okaże się zbyt krótki, spróbuj przewiercić w przeciwnym kierunku górną część otworu w najgrubszej części drewna wiertłem o średnicy 22 mm, na głębokość 15 mm lub więcej, tak, aby wkręt mógł być wpuszczony w otwór po montażu. Otwór należy zabezpieczyć. Ponieważ teraz główka wkrętu jest już schowana w drewnie, nie trzeba nakładać zatyczki ochronnej na wkręt.
- Jeśli wkręt okaże się zbyt długi, należy odciąć wystającą końcówkę przy pomocy pilnika do metalu. Używając pilnika, oszlifuj wszelkie ostre krawędzie.

### Otwory prowadzące (rys. 4a+4b)

W celu zabezpieczenie drewna przed rozwarstwieniem się, zaleca się wywiercać otwory prowadzące dla wszystkich śrub. Otwory te powinny być 10 cm krótsze niż długość śruby.

### Wkręty do drewna (rys. 4a)

- Wywierć otwór prowadzący o średnicy 3 mm na wkręty do drewna.
- Bardzo ważne, aby upewnić się, że główki śrub są na jednakowym poziomie z powierzchnią drewna oraz że nie wystają żadnego ostrego brzoży.

### XL Stealth™ śruby wkręcane kluczem (rys. 4b)

Celem założenia Stealth™ śruby wkręcanej kluczem, najpierw wywierć otwór o średnicy ø5 mm przez obydwie części, które mają zostać połączone.

W przypadku stosowania drewna twardego (drewna drzew liściastych), koniecznym może okazać się nawiercenie otworów pilotowych o większej średnicy, w zależności od gęstości użytego drewna.

040\_805\_GSI\_pl\_0300\_20120911\_nJA

# INSTRUÇÕES DE SEGURANÇA

Parabéns pela compra do kit Jungle Gym®. Com a compra deste kit Jungle Gym® você estará em condições de construir um parque infantil seguro em pouco tempo: uma garantia de prazer e alegria para seus filhos durante muitos anos.

Os kits Jungle Gym® contém ferragens especiais desenvolvidas especialmente para este uso. Este material foi desenvolvido, tendo como primeira prioridade dar segurança à suas crianças.

As ferragens não têm partes pontiagudas e estão protegidas de qualquer intempérie. Todas as peças no kit seguem as normas EN 71-1, -2, -3, -8 & -9 (Padrão de Segurança da Comunidade Europeia), para uso privado, nas condições que o playground é montado e usado apropriadamente seguindo o manual de instruções. Siga corretamente as instruções e não altere o desenho.

Avisos. Apenas para uso doméstico. Apenas para uso no exterior. O peso máximo do utilizador é de 50 Kg. Contraindicado para crianças com menos de 3 anos. Adequado para crianças entre os três e os dez anos de idade.

Este produto é para uso residencial e familiar. Instalações públicas ou de domínio público são locais que se usados significa um mau uso de nosso produto.

Leia cuidadosamente estas instruções de montagem antes de iniciar a mesma. Guarde as instruções de montagem para possível uso futuro.

# INSTRUÇÕES DE SEGURANÇA

## Madeira

- Se comprar madeira não tratada, passe produto para proteger da umidade e preste atenção às partes que ficam em baixo da terra. Preste atenção especial nas partes que estarão em contato com o chão.
- Em todas as partes serradas e furadas, passe um selador para proteger melhor, mesmo no caso de usar madeira tratada.
- Passe selador nos furos feitos nas madeiras, inclusive nos para a escada de corda e nos para a corda de alpinista.

## A área de segurança

- Coloque o playset sobre uma superfície firme não asfaltado, como grama ou uma camada sólida de areia. Não instale seu parque infantil sobre cimento, asfalto ou qualquer outro piso duro.
- A zona de implantação do seu parque infantil deve estar nivelada. Instalar o seu parque infantil sob uma superfície desnivelada pode fazer com que este se incline, provocando uma tensão adicional em todas as conexões e junções que com o tempo provocarão fadiga adicional no material que farão com que estas fiquem debilitadas podendo vir a ceder.
- A área de segurança do seu parque infantil deverá ter 200 cm além da área que o parque ocupa, devendo ser ajustada em todos os sentidos. Uma queda sobre um piso duro pode resultar em fraturas e/ou contusões. Abaixo indicamos uma lista de pisos recomendados e suas profundidades.

Material sugerido	profundidade
Borracha sintética	50 cm
Grama natural	50 cm
Areia fina	50 cm
Casca de pinheiro	50 cm
Relva	

- A área do parque infantil deve estar afastada de vedações, cabos elétricos, estendais de roupa, ou elementos sólidos que possam provocar ferimentos numa eventual queda.
- Não situe seu parque infantil perto de zonas de passagem.
- No caso de querer delimitar a área, deve o fazer fora do espaço necessário para brincar, usando barretes ou postes de madeira tratada.

## Instalação segura

- Crianças devem estar longe da área de trabalho até que esta esteja limpa, sem obstáculos, e com o parque infantil devidamente montado, isto é, após todos os apertos das ferragens tenham sido devidamente verificados e todas as ferramentas e outros utensílios tenham sido retirados da área de brincar.
- Quando construir este parque infantil, são necessárias duas pessoas para erguer e segurar as madeiras aquando da montagem, furação e colocação de parafusos.
- Verifique todas as peças e agrupe-as de forma sistemática dentro de seu alcance. Compare as mesmas com a lista de peças.
- Use roupa apropriada e equipamento de segurança (i.e., óculos de segurança, máscara contra pó e luvas apropriadas) quando for serrar, furar, lixar, pintar ou montar o brinquedo, especialmente quando trabalhando com madeira tratada.
- Siga as instruções de segurança dos fabricantes com respeito às recomendações para o uso de ferramentas e equipamento.
- Não utilize a plataforma do parque infantil até que este esteja devidamente montado, usando uma escada se verificar que não consegue aceder às zonas mais altas.
- O conjunto montado deve estar bem ancorado no piso para evitar girar ou tombarem. Dependendo do solo, deverá ser cimentado. A ancoragem deve ser abaixo do nível do solo para que as crianças não corram o risco de se machucarem com a mesma.
- Após montar, não esqueça de serrar todas as sobras de parafusos e aparar as rebarbas com lima apropriada para metal.
- Para evitar rebarbas na madeira, use lixa de papel, lima ou grossa num raio de 3 mm.
- Não adicione itens extras a este conjunto de brinquedo, como cordas, correntes e outros itens.
- Não combine produto de outros fabricantes com os de Jungle Gym porque pode diminuir a segurança.
- Use somente RopeLocks em combinação com os ganchos da Jungle Gym®. Não use RopeLocks para outros fins.
- A linha do parafuso do gancho LS do balanço deve ser parafusada na madeira inteiramente e firmemente de encontro ao eixo transversal. É importante alinhar o gancho do balanço na posição apropriada. Um gancho impropriamente instalado ou desalinhado do balanço pôde quebrar ou saltar e podendo causar ferimentos ao utilizador

- Em relação à distância entre os balaioços, no caso do kit swing, a distância entre os assentos das balaioços, deve ser de 35 cm no mínimo.
- A distância mínima entre as ferragens de montagem do swing e do assento da balança, é de 30cm.
- A distância entre os ganchos do balaioço e os acessórios deve ser 45 cm
- A corda e a escada de escalar devem ser sempre fixas, tanto no topo como no chão, porque uma corda livre pode se entrelaçar, fazer um nó e a ficar amarrada na criança, podendo provocar ferimentos.

# MANUTENÇÃO E INSPEÇÃO

Para garantir a segurança dos usuários do parque infantil, o mesmo deve estar sujeito à inspeção de segurança mencionadas abaixo, sempre no início de cada estação (primavera, verão,...) e posteriormente duas vezes ao mês durante a estação de maior uso. Se as verificações de manutenção não forem realizadas regularmente, o brinquedo pode virar-se o tornar-se um perigo.

## Componentes de madeira

- Inspeccionar possíveis defeitos na madeira, podridão, ataque de fungos ou insetos, deformações e eventuais rebarbas.
- Manter o conjunto em bom estado, aplicando acabamentos para uso exterior para prevenir contra intempéries, nomeadamente velaturas de exterior. Não use tinta que possa causar superfície escorregadia.

## Ferragens

- Verifique se todas as partes metálicas estão bem apertadas. Cuidado: ferragem muito apertada penetra na fibra da madeira e pode partir a peça em dois. Verifique se as outras ferragens e acessórios estão com ferrugem o que poderia afectar o seu desempenho. Em caso de verificar algum problema, troque a peça.
- Verifique as âncoras do solo para ser certo que estão fixas. Se necessário, reposicione ou substitua. Verifique a estabilidade do aparelho, provocando força no sentido lateral, se o aparelho oscilar ou apresentar deslocamentos laterais, terá que, rever a ancoragem e as ligações entre as peças.

## Acessórios

- Verifique se os RopeLocks estão devidamente instalados nos ganchos Jungle Gym®. Para testá-los pendure-se com seu peso durante alguns segundos em cada uma das cordas, individualmente. Substitua quando necessário. Se a corda fizer barulho ao ser esticada, pode ser molhada com água ou óleo vegetal.
  - Para ter um melhor julgamento da qualidade de cada corda, abra e verifique se algum filamento está cortado. Se necessário, troque a corda.
  - Verifique a integridade dos assentos dos balaioços e das barras.
  - Verifique se a fixação do escorrega está em bom estado.
  - Todos os acessórios podem ser lavados com água quente e detergente. No caso dos escorregas, se estiverem muito sujos podem ser lavados com máquinas de água de pressão, mas com cuidado para não danificar a superfície escorregadia do mesmo.
- ## A área de segurança
- Verifique se a superfície de absorção de choques não está muito comprimida. Caso necessário faça alguns furos. (Por exemplo em baixo das balaioços). Geral
  - Verifique sempre a estabilidade do conjunto.
  - Verifique o ambiente para ver se há o perigo de contacto directo com ramos de árvores, estendais de roupa ou materiais indevidamente colocados na área do parque infantil.

## Protecção ambiental

As sobras de madeira, principalmente se forem tratadas contra umidade ou pintadas e não devem ser queimadas devido o controle de poluição ambiental. Coloque tudo na lixeira apropriada.

# BRINCAR COM SEGURANÇA

## Atenção:

- Deverá haver sempre a supervisão de um adulto durante o uso do parque infantil por crianças em qualquer idade.
- Ensinem as crianças a brincar de maneira segura. Vistam as crianças apropriadamente. Evitem roupas com acessórios metálicos que poderiam danificar o equipamento e ao mesmo tempo ferir a criança, ou alças ou acessórios de vestuário que se possam prender.
- E por último, use bom senso para evitar situações inseguras.
- Os produtos Jungle Gym® foram desenvolvidos para o uso de crianças entre três e dez anos de idade, salvo indicação contrária.

## Brincar com segurança (fig. 1)

1. O equipamento não deve ser usado em tempo chuvoso e húmido, devido ao aumento de potencialidade de deslizamento da superfície. Os acessórios devem ser removidos e colocados em local protegido quando as temperaturas estiverem menores que 0 ou superiores a 50 graus.
2. Usar o parque infantil ou acessório de qualquer maneira diferente da pré-estabelecida poderá vir a danificá-lo. Não torça ou amarre os balaioços, correntes, cordas ou qualquer outro acessório.
3. Cuidado para que as crianças não:
  - Saltem fora dos balaioços quando estes estiverem em movimento
  - Empurrem os balaioços ou qualquer outro equipamento vazio
  - Empurrem os balaioços em qualquer ângulo
  - Se pendurem de cabeça para baixo
  - Segurem ou parem a outra criança quando o equipamento estiver em movimento
  - Fiquem muito perto, em frente, atrás ou entre acessórios em movimento
4. Cuidar para que as crianças se sentem no centro do balanço com todo o peso sobre o assento. Somente uma criança por assento de balanço deve ser permitida. A torre padrão permite no máximo três crianças por vez com no máximo 50 kg cada. A torre padrão em combinação com os balaioços, permite no máximo cinco crianças brincarem no parque infantil ao mesmo tempo, desde que o peso de cada uma não exceda os 50 kg.
5. Não deve permitir que se pendurem nas madeiras de sustentação do parque. Quedas podem causar sérias fracturas e contusões.

6. A área do parque deve estar livre de eventuais obstáculos.
7. Cada área aberta na plataforma aumenta o risco de possíveis acidentes. O risco pode ser significativamente reduzido colocando-se acessórios como puxadores, barras de segurança ou cercas de madeira.
8. Não permita que as crianças se coloquem por baixo do escorrega. A zona de deslizamento pode em determinadas condições ficar excessivamente quente, deve verificar a temperatura destes amentos antes de permitir que as crianças os usem. Se necessário pode e diminuir a temperatura jogando água fria sobre os mesmos. Seque tudo antes de ser usado. Não deve utilizar água nos equipamentos com intuito de aumentar a velocidade de deslizamento. O facto de as crianças escorregarem muito rápido poderá causar contusões.

## Ferramentas requeridas (fig. 2)

1. Serrote, 2. Lápis, 3. Fita métrica, 4. Lima e grossa, 5. Berbequim eléctrico, 6. Martelo, 7. Nível de água

## Conexões e parafusos padrões (fig. 3)

- Faça um furo de 10 mm nas partes indicadas na figura.
- Utilize um martelo para ajudar a colocar o parafuso. A madeira deve ser escaçada para que a cabeça do parafuso fique dentro da madeira.
- Coloque a porca roscada do lado de fora da madeira e do outro lado coloque a parte de baixo do protetor de parafuso, a arruela maior, a arruela menor, o parafuso e, em seguida, feche com a capa do protetor do parafuso. Inicie manualmente a fixar o parafuso na porca roscada antes de utilizar sua parafusadeira eléctrica.
- Se o parafuso ficar muito curto, faça um furo de 22 mm na parte mais grossa da madeira a uma profundidade de 15 mm ou mais para que o parafuso fique embutido na madeira. Neste caso não é necessário colocar o protetor de parafusos.
- Se o parafuso ficar muito longo, é necessário remover a sobra com uma serra de metal. Recomenda-se o uso de lima para tirar farpas na parte cortada.

## Furo guia (fig. 4a-b)

Para prevenir que a madeira venha a rachar, deve-se efetuar um furo guia. Normalmente o furo guia é 10 mm mais curto do que o parafuso.

## Parafusos de madeira (fig. 4a)

- Faça um furo guia de 3 mm para os parafusos de madeira.
- É importante se certificar que a parte superior da cabeça do parafuso esteja totalmente paralela à madeira, não deixando nenhuma ponta fora da madeira.

## XL Stealth™ arafusos lag (fig. 4b)

- Para o caso de um XL Stealth™ parafuso LAG, faça um furo de 5 mm nas duas partes.
- Coloque a parte de baixo do protetor de parafuso, a arruela maior, a arruela menor, o parafuso e, em seguida, feche com a capa do protetor do parafuso.

ATENÇÃO: Não aperte em demasia os parafusos!

Quando estiver utilizando uma madeira mais dura é necessário fazer furos guia com um diâmetro maior, dependendo da densidade da madeira.

040\_805\_GSI\_pt\_0300\_20120911\_n1A



# INSTRUCȚIUNI GENERALE PRIVIND SIGURANȚA

Felicitări pentru achiziționarea acestui set de bricolaj Jungle Gym®. Cu acest set Jungle Gym® veți putea amenaja un loc sigur de joacă într-un timp foarte scurt: o plăcere garantată pentru copiii dumneavoastră timp de mai mulți ani.

Seturile Jungle Gym® conțin componente metalice special create. Acest material este conceput cu mare atenție, siguranța copiilor dumneavoastră având o importanță deosebită. Componentele metalice nu au colțuri ascuțite sau piese proeminente și sunt protejate împotriva tuturor tipurilor de influențe climatice. Toate piesele setului sunt în conformitate cu EN 71-1,-2,-3, -8 & -9 (Standardul European de Siguranță) pentru utilizare personală, cu condiția ca echipamentul pentru locul de joacă să fie asamblat și utilizat în mod corespunzător conform manualului. Nu vă abateți de la aceste scheme și nu modificați design-ul.

Avertismente. Numai pentru uz domestic. Numai pentru uz exterior. Greutatea maximă a utilizatorului este de 50 kg. Contraindicat copiilor mai mici de trei ani. Se pretează pentru copiii de la trei la zece ani.

Acest produs este destinat exclusiv utilizării domestice de către o singură familie. Instalațiile publice sau domeniul public reprezintă clar utilizări necorespunzătoare ale acestui produs.

Citiți cu atenție aceste instrucțiuni de asamblare înainte de a începe asamblarea și păstrați-le pentru a le consulta ulterior.

## INSTRUCȚIUNI PRIVIND

## SIGURANȚA

### Cherestea

- Aplicați pe toate suprafețele și marginile tăiate cu ferăstrăul o substanță pentru protecția exterioară a lemnului în scopul prevenirii putrezirii lemnului; acest lucru este valabil și în cazul utilizării lemnului tratat sub presiune.
- Acordați o atenție deosebită pieselor care asigură contactul cu pământul.
- Aplicați vopsea atât pe marginile orificiilor îngropate, cât și pe cele ale orificiilor pentru Rope ladder (Scara de frânghie) și Climbing rope (frânghia de câțărare).

### Spațiu sigur de joacă

- Așezați Playset pe o suprafață stabilă neasfaltată, cum ar fi iarba sau un strat solid de nisip. Nu instalați setul dumneavoastră de joacă pe beton, pietriș, asfalt, pământ sau pe orice suprafață dură.
- Suprafața terenului trebuie să fie dreaptă. Instalarea setului de joacă pe un teren în pantă poate provoca înclinarea sau "alunecarea" acestuia. Această înclinare exercită o solicitare suplimentară asupra tuturor legăturilor și articulațiilor și cu timpul va provoca slăbirea și cedarea acestor legături.
- Spațiul sigur de joacă se referă la o zonă care se întinde pe o suprafață de 200 cm în jurul setului de joacă. Căderea pe o suprafață dură poate avea ca rezultat vătămări grave. Amplasați materialul pentru acoperirea terenului în spațiul sigur de joacă. Mai jos este prezentată o listă cu materiale recomandate pentru acoperirea terenului.

### Materialul propus

	adâncime netasată
Strat protector dublu din bucăți de scoarță de copac	50 cm
Așchii uniforme	50 cm
Pietriș fi	50 cm
Nisip fi	50 cm
Gazon	

- Spațiul sigur de joacă trebuie să se afle departe de orice structuri, garduri, garaj, casă, crengi care atârnă, frânghii de rufe, fire electrice și alte obstacole pentru a asigura un loc de joacă sigur.
- Nu amplasați setul de joacă în direcția drumurilor sau gangurilor.
- Orice bordură utilizată la încadrarea materialului pentru acoperirea terenului trebuie să se afle dincolo de spațiul sigur de joacă. (Materialele lemnoase pentru amenajare sau alte borduri)

### Instalarea în siguranță

- Copiii trebuie să stea departe de spațiul de lucru până când spațiul sigur de joacă este debarasat de obstacole, setul de joacă a fost complet instalat, toate componentele metalice au fost strâns fixate și verificate și au fost luate toate instrumentele și alte articole care nu aparțin locului de joacă.
- La asamblarea acestui set de joacă, este nevoie de cel puțin doi adulți pentru ridicarea și susținerea bănelor, cadrelor sau altor ansambluri grele înainte de fixarea cu buloane sau șuruburi.
- Verificați toate piesele și grupele-le sistematic la îndemână. Comparați-le pe acestea cu lista de piese.
- Purtați îmbrăcăminte corespunzătoare și echipament de protecție (de exemplu ochelari de protecție, mască anti-praf și mănuși) atunci când tăiați cu ferăstrăul, perforați, polizați, vopsiți sau asamblați setul de joacă, în special atunci când lucrați cu lemn tratat sub presiune.
- Urmați recomandările producătorilor privind siguranța pentru instrumentele și dispozitivele pe care să le utilizați.
- Nu stați pe platformă până când setul de joacă nu a fost complet asamblat; utilizați o scară mobilă dacă nu ajungeți suficient de sus.
- Setul de joacă trebuie bine fixat pentru a evita răsturnarea sau împingerea acestuia. În cazul în care condițiile solului permit scoaterea cu ușurință a stâlpilor, este necesară cimentarea acestora. Asigurați-vă că ancorele de fixare la pământ nu ies din pământ deoarece copiii s-ar putea împiedica de acestea.
- După asamblare, asigurați-vă că utilizați un ferăstrău de mână pentru metale pentru a tăia toate capetele filetate proeminente ale bolțurilor și ale altor dispozitive de fixare. Îndepărtați orice margini ascuțite cu o pilă pentru metale.
- Pentru a evita producerea așchiilor, sablați lemnul cu o bucată de glaspapir. De asemenea neteziți toate colțurile cu glaspapir sau cu o pilă pentru metale pe o rază de 3 mm.
- Nu adăugați alte elemente la acest set de gimnastică, cum ar fi frânghii, lanțuri, cablu greu sau alte elemente.
- Nu combinați produsele altor fabricanți cu produsele Jungle Gym®

deoarece acest lucru poate afecta siguranța.

- Utilizați numai dispozitive de fixare a frânghiilor Rope Locks™ în combinație cu cârligile de suspendare a leagănelor Jungle Gym®. Nu utilizați dispozitive de fixare a frânghiilor Rope locks™ în alte scopuri, cum ar fi alpinismul montan sau tragerea greutăților.
- Filetul cârligului de suspendare a leagănelor LS (Swing Hook LS) trebuie înșurubat bine și în întregime în lemn pe bârna transversală. Este important ca dumneavoastră să așezați cârligul de suspendare a leagănelor (Swing Hook) în poziția corectă. Un cârlig de suspendare a leagănelor nu care a fost instalat și așezat în mod necorespunzător poate ceda sau poate ieși din pământ, cauzând vătămări!
- Distanța dintre accesoriile leagănelor (de exemplu un scaun al leagănelor) și pământ trebuie să fie de cel puțin 35 cm.
- Distanța dintre un accesoriu și cadru trebuie să fie de cel puțin 30 cm.
- Distanța dintre cârligile de suspendare a leagănelor (Swing Hooks) trebuie să fie de 45 cm.
- Distanța dintre accesoriile leagănelor trebuie să fie de 45 cm.
- O frânghie de câțărare (Climbing rope) sau o scară de frânghie (Rope ladder) trebuie întotdeauna fixată atât în partea superioară, cât și în cea inferioară, deoarece frânghia liberă (free-hanging Rope) se poate învârti într-o buclă, iar copiii se pot încurca.

## INSPECȚIE ȘI ÎNTREȚINERE

Pentru a garanta siguranța utilizatorilor setului de joacă, acesta trebuie supus inspecțiilor de siguranță menționate mai jos care au loc o dată la începutul fiecărui anotimp și apoi de două ori pe lună în anotimpul în care este utilizat acesta. Dacă verificările de întreținere nu sunt efectuate în mod regulat, jucăria pentru activități se poate bascula sau poate deveni un pericol în alt mod.

### Componente din lemn

- Verificați dacă există așchii și alte eventuale defecte structurale.
- Întrețineți echipamentul prin aplicarea regulată a substanțelor pentru protecția exterioară a lemnului în scopul prevenirii putrezirii lemnului. Nu utilizați vopsea care poate avea ca rezultat o suprafață alunecoasă.

### Componente metalice

- Verificați dacă toate componentele metalice sunt bine strânse. Atenție: componentele metalice care sunt strânse prea mult duc la ruperea fibrelor lemnului, având ca rezultat scânduri crăpate.
- Verificați de asemenea dacă restul componentelor metalice, consolele și cârligile de suspendare a leagănelor prezintă urme de rugină, lucru care poate afecta rezistența acestora. Încălziți-le, atunci când este cazul.
- Verificați ancorele de fixare la pământ pentru a vă asigura că acestea sunt bine poziționate. Dacă este nevoie, fixați-le în altă poziție sau înlocuiți-le.

### Accesorii (dacă este cazul)

- Verificați dacă dispozitivele de fixare a frânghiilor (Rope Locks™) sunt instalate în mod corespunzător în cârligile de suspendare a leagănelor ale setului de joacă Jungle Gym®. Pentru a verifica dispozitivele de fixare a frânghiilor HC (Rope Locks HC), agățați-vă cu toată greutatea de fiecare frânghie a leagănelor timp de câteva secunde. Dispozitivele de fixare a frânghiilor SC (Rope Locks SC) pot fi verificate dacă vă așezați pe accesoriu cu toată greutatea timp de câteva secunde. Încălziți-le, dacă este cazul. Dacă se aude orice fel de scârțâit, dispozitivele Rope Locks HC pot fi umezite cu apă sau ulei vegetal, cum ar fi ulei de măsline.
- Verificați rezistența scaunelor și barelor leagănelor și verificați dacă frânghiile leagănelor nu s-au uzat sau dacă nu s-au format prea multe fibre. Pentru a aprecia corect frânghia, desfășurați firele frânghiilor în locurile în care constatați o uzură și verificați cu atenție dacă sunt rupe filamentele. Verificați centura de siguranță a leagănelor pentru sugari. Încălziți-o, dacă este cazul.
- Verificați accesoriul toboganului de pe platformă pentru a vedea dacă există crăpături în care pot fi prinse, de exemplu, șireturile de la jachetele cu glugă, ceea ce duce la încurcarea acestora.
- Toate accesoriile pot fi curățate cu apă caldă și cu detergent cu pH neutru. Toboganele foarte murdare pot fi curățate cu un aspirator electric de înaltă presiune. (Aveți grijă să nu deteriorați suprafața toboganului și materialele lemnoase.)

### Spațiul sigur de joacă

- Verificați dacă suprafața de amortizare a șocurilor nu este comprimată prea mult, slăbiți-o dacă este necesar. Umpleți orice orificii, de exemplu cele de sub scaunele leagănelor.
- Verificați stabilitatea setului de joacă.
- Verificați împrejurimile pentru a vedea dacă există pericole directe cum ar fi crengi care atârnă, frânghii de rufe, materiale desfăcute.

### Protecția mediului înconjurător

Piese din lemn ale seturilor de joacă nu trebuie arse atunci când sunt eliminate. Eliminați toate piesele metalice în așa fel încât acestea să nu prezinte pericol. Este interzisă arderea lemnului tratat sub presiune, vopsit sau colorat, de către dumneavoastră, din cauza poluării mediului. Duceți-l la locul de eliminare din localitatea dumneavoastră.

## JOACA ÎN SIGURANȚĂ

### Atenție:

- În permanență adulții trebuie să asigure supravegherea locului de joacă pentru copiii de toate vârstele.
- Învățați-i pe copii cum să se joace în siguranță.
- Îmbrăcați copiii în mod corespunzător. Evitați accesoriile, îmbrăcăminte cu cordoane cu găici, hainele largi și articolele cu șireturi în jurul gâtului, care se pot încurca sau se pot agăța de echipament. De asemenea, înainte de a utiliza echipamentul de pe terenul de joacă, trebuie scoase câștile de protecție pentru bicicletă.
- Și nu în ultimul rând: faceți apel la bunul simț pentru a evita orice eventuală situație periculoasă.
- Produsele Jungle Gym® sunt concepute spre a fi utilizate de copii cu vârste cuprinse între 3 și 10 ani, dacă nu se indică altfel.

### Joacă în siguranță (figura 1)

1. Echipamentul nu trebuie utilizat în condiții climatice umede din cauza

eventualelor suprafețe alunecoase și, în perioadele de îngheț, chiar și cel mai moale pavaj poate deveni o suprafață foarte dură. Accesoriile trebuie îndepărtate și ținute în casă atunci când temperatura scade sub 0° C (32° F).

2. Utilizarea locului de joacă sau a accesoriilor în orice alt mod decât cel specificat poate duce la deteriorarea acestora, sau chiar la vătămări. Nu răsuclii sau acoperiți leagănele, lanțurile, frânghiile sau orice alte accesorii. Răsucirea va reduce rezistența accesoriilor și poate provoca prinderea acestora.

3. Atenție: copiii nu trebuie să:

- sară din leagăne atunci când sunt în mișcare
- să lege scaune goale sau alte accesorii goale
- să se lege într-o parte
- să stea atârnați cu capul în jos pe orice piesă a setului de gimnastică
- să prindă sau să oprească un alt copil din orice echipament în mișcare
- să meargă aproape de, în fața, între, sau în spatele accesoriilor în mișcare

4. Atenție: copiii trebuie să se așeze în centrul leagănelor cu toată greutatea pe scaune. Este permisă așezarea unui singur copil pe fiecare scaun conceput. Un pilon standard: maxim 3 copii au voie să utilizeze setul de joacă, cu o greutate maximă de 50 kg fiecare. Un pilon standard în combinație cu un leagăn: maxim 5 copii au voie să utilizeze setul de joacă, cu o greutate maximă de 50 kg fiecare.

5. Este interzisă câțărarea sau agățarea de cadrul echipamentului de joacă. Căderile pot avea ca rezultat vătămări grave.

6. Spațiul de joacă trebuie debarasat de toate structurile și obstacolele.

7. Fiecare spațiu liber de pe o platformă sporește riscul apariției unor posibile accidente. Riscul poate fi redus în mod semnificativ prin adăugarea unor dispozitive de siguranță, cum ar fi mânere, bare de siguranță și panouri de protecție.

8. Nu lăsați copiii să se dea pe tobogan altfel decât în poziția așezată. Evitați expunerea toboganului la soare în partea de sud. Toate componentele se pot încălzi atunci când sunt expuse la razele solare directe. Asigurați-vă că echipamentul de joacă nu s-a încălzit înainte de utilizarea acestuia de către copii. Dacă este nevoie, echipamentul de joacă poate fi răcit cu apă și uscat înainte de utilizare. Nu pulverizați apă pe tobogan pentru a spori plăcerea utilizării acestuia. Copiii alunecă prea repede, lucru care poate provoca accidente.

### Instrumente necesare (figura 2)

1. Ruletă, 2. Creion, 3. Bormașter, 4. Pila pentru lemn și metal, 5. Bormașină, 6. Ciocan, 7. Nivel de apă

### Îmbinări standard cu bolțuri (figura 3)

- Practicați o gaură de 10 mm în diametru în piesele care urmează să fie fixate.
- Introduceți în orificiu marginea cilindrică a piuliței de legătură cu ajutorul unui ciocan. Marginea cilindrică proeminentă a piuliței de legătură trebuie să se afle în interiorul lemnului.
- Amplasați șaiba de siguranță deasupra tijeii bolțului, urmată de șaiba plată și de partea inferioară a capacului bolțului. Începeți fixarea manuală preliminară a bolțului în piulița de legătură înainte de a utiliza burghiul de 13 mm al bormașinii pentru a strânge fiecare bolț până când acțiunea de arc a șabei de siguranță este complet comprimată între capul bolțului și șaiba plată. Închideți capacul de protecție a bolțului în partea superioară.
- Dacă bolțul pare a fi prea scurt, vă recomandăm ca, în partea superioară a orificiului din zona cea mai groasă a lemnului, să practicați o gaură de 22 mm în diametru, cu o adâncime de 15 mm sau mai mult, astfel încât bolțul să fie îngropat după asamblare. Aplicați vopsea pe orificiu. Datorită faptului că acum capul bolțului este îngropat, nu mai este necesară utilizarea capacului de protecție a bolțului.
- Dacă bolțul pare a fi prea lung, este necesară îndepărtarea capătului proeminent prin tăierea acestuia cu ajutorul unui ferăstrău de mână pentru metale. Dacă există margini ascuțite, utilizați o pilă.

### Găuri de ghidare (figura 4a + 4b)

Pentru a preveni crăparea lemnului, se recomandă practicarea unor găuri de ghidare pentru toate șuruburile. Aceste găuri de ghidare trebuie să fie cu 10 mm mai scurte decât lungimea șuruburilor.

### Șuruburi pentru lemn (figura 4a)

- Practicați găuri de ghidare de ø3 mm în diametru pentru șuruburile pentru lemn.
- Este foarte important să vă asigurați că părțile superioare ale tuturor șuruburilor sunt așezate la același nivel cu suprafața lemnului și că nu există nici o margine ascuțită proeminentă.

### XL Stealth™ buloane de ancorare (figura 4b)

- Pentru un XL Stealth™ bulon de ancorare practicați mai întâi o gaură de ø5 mm în diametru în ambele piese care urmează să fie fixate.
- Montați șaiba plată și partea inferioară a capacului bolțului deasupra tijeii bulonului. Montați bulonul în gaură și utilizați burghiul de T40 al bormașinii dumneavoastră pentru a fixa. Închideți capacul de protecție a bolțului în partea superioară.

Atenție: nu strângeți prea tare bolțurile și șuruburile!

Atunci când este folosit un lemn dur poate fi necesar să perforați găurile de ghidare cu un diametru mai mare, în funcție de densitatea lemnului.

040\_805\_GSI\_ro\_0300\_20120911\_r1A

## ИНСТРУКЦИЯ ПО БЕЗОПАСНОСТИ

Поздравляем с покупкой продукции Jungle Gym®. Данный сборочный комплект Jungle Gym® позволит Вам создать у себя во дворе безопасный игровой комплекс, который будет радовать Ваших детей многие годы.

Вся продукция «Джангл Джим» разработана в соответствии с EN 71-1,-2,-3,-8 и -9 (Европейский стандарт безопасности игрушек) для частного использования, при условии ее сборки и эксплуатации в соответствии с данным руководством. Следуйте рекомендациям по сборке и не вносите изменений в конструкцию.

**Предостережения.** Только для домашнего использования. Только для использования вне помещений. Максимальный вес пользователя - 50 кг. Максимальное количество пользователей - 12. Не подходит для детей младше трех лет. Подходит для детей от трех до десяти лет.

Данный продукт предназначен исключительно для частного домашнего использования. Продукт не предназначен для использования в общественных местах, таких как парк, уличная детская площадка или школа.

Перед началом сборки внимательно прочтите данную инструкцию и сохраните ее для последующего использования.

## ИНСТРУКЦИЯ ПО БЕЗОПАСНОСТИ

### Лесоматериалы

- Качество Вашего игрового комплекса будет в значительной мере зависеть очень от качества выбранной Вами древесины.
- Уделите особое внимание выбору верхней перекладины для (Модуля) Качелей. Для проверки прочности перекладины установите оба ее конца на небольшое возвышение (10 см) и попрыгайте на ней. Если перекладина не ломается и не раскачивается, она пригодна для использования. Небольшой прогиб является нормальным.
- Твердые породы древесины более устойчивы к повреждению насекомыми и древесной гнили, чем мягкая древесина. Мягкая древесина обязательно нуждается в обработке перед использованием на открытом воздухе. Для постройки Вашего игрового комплекса подойдут следующие виды древесины:
- Древесина с естественной устойчивостью против древесной гнили и насекомых, например Лиственница, Робиния, тропические твердолопастные породы, европейские твердолопастные породы, дуб, каштан, красный кедр, калифорнийская осина.
- Древесина прошедшая консервирующую обработку под давлением.

### Спросите у своего продавца пиломатериалов о других породах древесины, устойчивых к насекомым и древесной гнили.

- Даже при использовании древесины прошедшей консервирующую обработку под давлением для предотвращения древесной гнили необходимо обработать поверхность распила и концы балок консервантом для деревянных изделий наружного использования.
- Обратите особое внимание на части, которые соприкасаются с землей.
- Все отверстия для потайных болтов и отверстия для Веревочной лестницы и Каната для лазания необходимо обработать морилкой.

### Зона безопасности

- Поместите Playsæt на грунтовой устойчивую поверхность, таких как трава или твердый слой песка. Не устанавливайте игровой комплекс на поверхности из бетона, гравия, асфальта, или любой другой твердой поверхности.
- Поверхность земли должна быть абсолютно ровной; даже небольшой уклон повышает нагрузку на стыки и соединения.
- Зона безопасности обозначает пространство в 200 см со всех сторон игрового комплекса. Ниже приведен перечень рекомендуемых покрытий для зоны безопасности.

Предлагаемый материал	Минимальная глубина без утрамбовки
Мульча из коры двойного измельчения	50 см
Однородная древесная стружка	50 см
Мелкий гравий	50 см
Мелкий песок	50 см
Трава	

- Устраните из зоны безопасности все, на чем можно споткнуться – камни, корни и т.д.
- В зоне безопасности не должно находиться никаких конструкций, заборов, гаражей, домов, свисающих ветвей деревьев, бельевых веревок, электрических проводов и прочих помех.
- Не располагайте Ваш игровой комплекс в направлении проходов и дорожек.
- Любой бордюр, используемый для окантовки наземного покрытия, должен находиться за пределами зоны безопасности. (ландшафтные балки или прочие ограждения).

### Безопасность установки

- Дети не должны находиться в рабочей зоне до тех пор, пока зона безопасности не будет освобождена от всех препятствий, игровой комплекс полностью смонтирован, крепления затянуты и проверены, а рабочие инструменты убраны с территории детской площадки.
- Для подъема и установки балок, рам и тяжелых конструкций необходимо не менее двух взрослых.
- Проверьте все сборочные элементы и сгруппируйте их рядом с местом сборки. Сверьте их со сборочным листом.
- При распилке, сверлении, шлифовании, обработке морилкой и сборке необходимо использовать соответствующую одежду и средства защиты (например, защитные очки, маску от пыли, рукавицы).

- Следуйте рекомендациям производителей по безопасному использованию применяемых Вами инструментов и оборудования.
- Не вставайте на платформу до полного окончания сборки игрового комплекса.
- Не занимайтесь сборкой в плохих погодных условиях.
- Игровой комплекс должен быть надежно закреплен на грунте, чтобы предотвратить его наклон или опрокидывание. При рыхлости почвы, позволяющей легко извлечь опорные столбы из грунта необходимо их цементирование. Убедитесь, что грунтовые анкера не выступают над поверхностью земли.
- После сборки используйте ножовку по металлу для удаления выступающих резьбовых концов болтов и других крепежных материалов. Обработайте острые края напильником по металлу.
- Для предотвращения заноз обработайте древесину наждачной бумагой. Все углы необходимо обработать наждачной бумагой или напильником по металлу до радиуса в 3 мм.
- Не устанавливайте на «Джангл Джим» дополнительные предметы, таких как канаты, цепи, веревки и прочее.
- Не комбинируйте изделия Jungle Gym® с изделиями других производителей.
- Замки крепления веревок Rope Locks™ следует использовать только в комбинации с крюками для качелей Jungle Gym® Swing Hooks. Крепления веревок Rope Locks™ нельзя использовать для других целей, таких как скалолазание или подъем грузов.
- Резьбовая часть крюков для качелей Swing Hook LS должна быть полностью вкручена в дерево. Важно также, чтобы крюки Swing Hook были симметрично установлены в соответствующем положении.
- Расстояние между принадлежностями качелей (например, сиденьем) и землей должно быть не менее 35 см.
- Расстояние между подвижными элементами и несущей конструкции должно быть не менее 30 см.
- Расстояние между крюками Swing Hook должно составлять 45 см.
- Расстояние между подвижными элементами качелей должно составлять 45 см.
- Веревка для лазания Climbing Rope или веревочная лестница Rope Ladder должны быть постоянно закреплены сверху и снизу, поскольку свободно висящая веревка может привести к удушью. Веревки не должны иметь возможности захлестывания в петлю.

## ПРОВЕРКА И ОБСЛУЖИВАНИЕ

Для обеспечения безопасности необходимо проводить описанную ниже проверку безопасности игрового комплекса в начале каждого сезона и далее дважды в месяц в течение всего периода сезонного использования. При необходимости отрегулируйте или закрепите соответствующие элементы. Замените элементы комплекса в случае их повреждения. Если проверка технического состояния не будет проводиться регулярно, рабочее состояние игрушки может ухудшаться или становиться опасным.

### Деревянные элементы конструкции

- Проверьте наличие отслоений и других возможных повреждений.
- Для предотвращения гнили ухаживайте за деревянными конструкциями, периодически обрабатывая их консервантом для древесины. Не используйте краски или иные покрытия, которые могут сделать поверхность скользкой.

### Металлические элементы конструкции

- Проверьте прочность затяжки всех металлических креплений. Внимание: перетянутые крепления разрушают волокна древесины и приводят к ее расслоению.
- Проверьте прочие металлические элементы, кронштейны и петли качелей на наличие ржавчины.
- Проверьте надежность крепления грунтовых анкеров.
- Проверьте все заглушки болтов и острых углов.

### Принадлежности (если имеются)

- Проверьте правильность крепления Rope Locks™ на петлях качелей Jungle Gym® Swing Hooks. Для проверки замков крепления веревок Rope Locks HC, повисите несколько секунд всем своим весом на каждой из веревок качелей. Для проверки Rope Locks SC присядьте на деталь на несколько секунд. При возникновении скрипа Rope Locks HC можно смочить водой или растительным маслом, например оливковым.
- Проверьте целостность сиденья и рамы качелей. Проверьте веревки качелей на наличие износа и потерю волокон. Для обследования веревки разверните пряди, в которых обнаружена потертость и проверьте волокна на наличие разрывов. Проверьте ремешок безопасности на качелях для малышей Baby Swing.
- Проверьте плотность прилегания качелей к платформе на наличие щелей, в которых, например, могут застрять детали одежды или шнуры капюшона детской куртки.
- Все принадлежности можно мыть теплой водой с использованием мягкого моющего средства. Сильно загрязненную горку можно мыть моющим устройством высокого давления. Соблюдайте осторожность, чтобы не повредить поверхность желоба горки и деревянные элементы.

### Зона безопасности

- Убедитесь, что мягкое ударопоглощающее покрытие под качелями не слишком утрамбовано, при необходимости размять его. Зарывайте образовавшиеся ямки (например, под сиденьями качелей).
- Проверьте устойчивость конструкции игрового комплекса.
- Проверьте зону безопасности на отсутствие нависающих ветвей деревьев, веревок для белья и незакрепленных элементов.

### Охрана окружающей среды

- Утилизируйте все металлические элементы без ущерба для природы. Не сжигайте обработанную консервантами или морилкой древесину самостоятельно, вывезите ее на пункт утилизации.

## БЕЗОПАСНОСТЬ ИСПОЛЬЗОВАНИЯ

### Внимание

- При использовании игровым комплексом дети всех возрастов должны постоянно находиться под присмотром взрослых.
- Обучите детей безопасности при играх.
- Одевайте детей соответствующим образом; избегайте использования аксессуаров и одежды со шнурками, свободной одежды и шнуровки. Не допускается использование велосипедных шлемов.
- Руководствуйтесь здравым смыслом для предотвращения потенциально небезопасных ситуаций.
- Если не указано иное, изделия Jungle Gym® предназначены для детей в возрасте от 3-х до 10 лет.

### Безопасное использование (рис. 1)

1. Оборудование нельзя использовать при влажной и морозной погоде. При снижении температуры ниже 0° C принадлежность необходимо перенести в помещение.
2. Не используйте игровой комплекс и принадлежности не по назначению. Не сматывайте и не скручивайте качели, цепи, веревки и прочие принадлежности. Скручивание снижает прочность принадлежности и может стать причиной несчастного случая.
3. Предупредите детей о том, что НЕЛЬЗЯ:
  - прыгать с качелей, находящихся в движении
  - раскачивать пустые качели и другие предметы
  - качаться на качелях под углом
  - висеть вниз головой на любом элементе игрового комплекса
  - хватать или останавливать другого ребенка на любом движущемся предмете
  - находиться вблизи, перед, между или позади любых движущихся объектов
4. Объясните детям, что качелями нужно пользоваться сидя по центру, всем весом на сиденье. На сиденье может находиться только один ребенок. Стандартная башня: одновременно пользоваться игровым комплексом могут не более 3-х детей, весом не более 50 кг; каждый. Стандартная башня + Дополнительный модуль Add-on Jungle Gym Module: не более 5 детей (макс. 50 кг) каждый.
5. Нельзя забираться на крышу или на верх модуля.
6. Игровое пространство должно быть свободно от любых помех и препятствий.
7. Угроза безопасности существенно снижается при надлежащем использовании прилагаемых элементов безопасности, таких как поручни, перила и ограждения.
8. Не позволяйте детям съезжать с горки иначе как сидя лицом вперед. Избегайте воздействия южного солнца на покрытие горки. Под воздействием яркого солнечного света все элементы комплекса могут сильно нагреваться. Перед тем как допустить детей к игре на комплексе убедитесь, что он не слишком горячий. При необходимости горку можно охладить водой, просушив ее перед использованием. Ни используйте воду с целью увеличения скорости скатывания с горки. Не используйте Модуль Ведра для подъема болта 2,5 кг. Не прикрепляйте к игровому комплексу никаких предметов, не одобренных Jungle Gym, таких как бельевые веревки, электрические приборы, свободно висящие веревки или цепи и т.д.

### Необходимые инструменты (рис. 2)

1. Измерительная лента, 2. Карандаш, 3. Ножовка/пила по дереву
4. Напильник по дереву и металлу, 5. Электрическая дрель
6. Молоток, 7. Ривень с водяным бульбашками

### Стандартные болтовые соединения (рис. 3)

1. Просверлите в соединяемых элементах отверстия  $\varnothing$  10 мм. Поместите цилиндр сварной гайки в отверстие.
- Наденьте пружинную шайбу на стержень болта, потом наденьте плоскую шайбу и нижнюю часть заглушки болта. Вручную наживите болт в сварную гайку. Потом используйте головку на 13 мм и с помощью электродрели затяните каждый болт до полного сжатия пружинной шайбы между головкой болта и плоской шайбой. Закройте основание болта заглушкой.
- Если болт окажется слишком коротким рассверлите верхнюю часть отверстия в самой широкой части деревянной балки сверлом  $\varnothing$  22 мм. на глубину не более 15 мм. В этом случае после сборки болт окажется утопленным в дерево. Обработайте отверстие морилкой. Поскольку теперь болт будет утоплен, использовать заглушку нет необходимости.
- Если болт оказался слишком длинным отрежьте его выступающую часть ножовкой по металлу. Если остались острые края – обработайте их напильником.

### Шурупы (рис. 4а)

1. Просверлите направляющие отверстия  $\varnothing$  3 мм для шурупов. Отверстия должны быть на 10 мм короче длины шурупов. Для твердых пород дерева, возможно, придется сверлить направляющие отверстия большего диаметра, в зависимости от плотности древесины.
- Убедитесь, что головки шурупов не выступают над поверхностью и не имеют острых краев.

### Крепления XL Stealth™ (рис. 4б)

- Просверлите направляющее отверстие  $\varnothing$  5 мм через оба элемента.
- Наденьте основание заглушки болта на его стержень. Установите шуруп и используйте инструмент T40 для затяжки. Закройте болт заглушкой.

Внимание: не перетягивайте болты и шурупы!

040\_805\_GSI\_ru\_0200\_20120911\_NA

## VŠEOBECNÉ BEZPEČNOSTNÉ POKYNY

Gratulujeme vám k zakúpeniu tejto stavebnice Jungle Gym® Do It Yourself (Urob si sám). Pomocou tejto stavebnice Jungle Gym® budete schopní zostaviť v krátkom čase bezpečnú ihriskovú konštrukciu: zaručenú zábavu pre vaše deti na veľa rokov.

Stavebnica Jungle Gym® obsahuje špeciálne vyvinuté komponenty. Tento materiál bol konštruovaný s veľkou starostlivosťou tak, aby bezpečnosť vašich detí bola na prvom mieste. Jednotlivé konštrukčné diely nemajú ostré hrany alebo vyčnievajúce časti a sú chránené proti všetkým druhom počasia. Všetky diely stavebnice zodpovedajú EN 71-1, -2, -3, -8 & -9 (Európska bezpečnostná norma) pre súkromné použitie, za podmienky, že vybavenie ihriska je zmontované a používané správne, podľa tejto príručky. Nerobte zmeny voči týmto výkresom a nemeňte konštrukciu.

Upozornenia. Iba na domáce použitie. Len na vonkajšie použitie. Maximálna váha osoby je 50 kg. Nevhodné pre deti do troch rokov. Vhodné pre deti od 3 do 10 rokov.

Tento výrobok je určený len pre prívätne používanie v jednej rodine. Inštalácia pre verejnosť pre obyvateľov sídliska znamená porušenie účelu použitia.

Skôr ako začnete z montážou prečítajte si dôkladne tieto pokyny a odložte si ich tak aby ste sa k nim mohli v budúcnosti vrátiť.

## BEZPEČNOSTNÉ POKYNY

### Drevo

- Všetky rezné plochy a konce napustíte ochranným prostriedkom na drevo do vonkajšieho prostredia, aby ste zabránili hnitiu; urobte tak tiež ak použijete drevo upravené pod tlakom.
  - Mimoriadne pozornosť venujte častiam, ktoré prichádzajú do styku so zemou.
  - Natrite farbou tiež všetky zapustené otvory a otvory pre lanový rebrik alebo pre lana so šplhanie.
- ### Bezpečný priestor na hranie
- Umiestnite playset na nespavom stabilný povrch, ako sú tráva alebo pevná vrstva piesku. Nemontujte Vašu ihriskovú konštrukciu na betón, štrk, asfalt, alebo akýkoľvek tvrdý povrch.
  - Povrch zeme musí byť rovný. Inštalácia vašej ihriskovej konštrukcie na svahu môže spôsobiť jej nakláňanie alebo „roztahovanie“. Toto nakláňanie spôsobí dodatočné namáhanie všetkých spojov a po čase sa tieto môžu uvoľniť a stratiť svoju funkciu.
  - Bezpečný priestor na hranie siaha 200 cm za všetky strany ihriskovej konštrukcie. Pád na tvrdý povrch môže spôsobiť vážne poranenia. Kryciu povrchovú vrstvu vytvorte po celej bezpečnej hracej zóne. V ďalšom je uvedený zoznam doporučených povrchov.

### Navrhovaný materiál

Dvkrát drevená mulčovacia kôra
Rovnomerne drevené stružliny
Jemný štrk
Jemný piesok
Trávnik

### nezhotovená hĺbka

50 cm
50 cm
50 cm
50 cm

- V bezpečnom priestore na hranie sa nesmú nachádzať žiadne konštrukcie, ploty, garáže, domy, visiace vetvy, šnúry na prádlo, elektrické káble a iné prekážky, aby bolo hranie bezpečné.
- Neorientujte ihriskovú konštrukciu v smere chodníkov alebo priechodov.
- Akékoľvek orámovanie použité pre ohraničenie krycej vrstvy povrchu musí byť mimo bezpečnej hracej zóny. (Lemovacia guľatina alebo iné ohraničenie)

### Bezpečná montáž

- Deti sa musia zdržiavať mimo pracovného priestoru až dovtedy, kým sa v hracom priestore nenachádzajú žiadne prekážky, ihrisková konštrukcia je kompletne zmontovaná, všetky spojovacie časti boli dotiahnuté a prekontrolované a všetko náradie a iné predmety, ktoré nepatria na ihrisko, boli odstránené.
- Pri stavbe ihriskovej konštrukcie sú potrebné minimálne dve dospelé osoby na dvíhanie a pridržovanie nosníkov, rámov, alebo iných ťažkých zostáv v polohe, kým sa upevnia čapmi alebo skrutkami.
- Skontrolujte všetky diely a usporiadajte ich systematicky podľa skúpin tak, aby ste ich mali v dosahu. Porovnajte ich so zoznamom dielov.
- Pri práci majte oblečený správny pracovný odev a používajte ochranné pomôcky (napr. bezpečnostné okuliare, masku proti prachu a rukavice) pri pílení, vŕtaní, brúsení, natieraní, alebo montáži konštrukcie, hlavne ak pracujete s drevom upraveným pod tlakom.
- Pri používaní nástrojov a náradia dodržiajte bezpečnostné odporúčenia výrobcov.
- Nestúpajte na plošinu, kým nie je ihrisková konštrukcia úplne zmontovaná; používajte schodky, ak nemôžete dostatočne vysoko dosiahnuť.
- Ihrisková konštrukcia musí byť bezpečne ukotvená, aby sa zabránilo jej prevrhnutiu, alebo posúvaniu. Ak pôdne podmienky umožňujú ľahké vytiahnutie kolkov, je potrebné ich zabezťovať. Zabezpečte aby ukotvovacie prvky netrčali zo zeme, pretože deti by sa mohli o ne potknúť.
- Po montáži odrezte pomocou pilky na železo všetky vystupujúce závitové konce skrutiek a ostatných upevňovacích prvkov. Všetky ostré hrany odstráňte pilníkom na kov.
- Aby ste predišli zadieraniu triesok, zahľadte drevo brúsny papierom. Taktiež všetky hrany zaoblite brúsny papierom, alebo kovovým pilníkom na polomer 3 mm.
- Na túto cvičebnú konštrukciu nepripájajte žiadne ďalšie časti, ako sú lana, refaze, ťažké povrazy a iné veci.
- Nekombinujte výrobky iných výrobcov s výrobkami Jungle Gym®, pretože to môže ohroziť bezpečnosť.
- V kombinácii s Jungle Gym® hojdačkovými hákami používajte len Rope Locks™ (lanové zámky). Rope locks™ nepoužívajte na iné účely, ako napr. pre horolezectvo alebo ťahanie bremien.
- Závitová časť háku hojdačky (Swing Hook LS) musí byť zaskrutkovaná do dreva úplne a prítiahnutá priechovým nosníkom. Dôležité je aby ste Swing Hook nastavili do správnej polohy. Nesprávne namontovaný, alebo ustavený Swing Hook (háč hojdačky) sa môže odlomiť alebo vytiahnuť a spôsobiť úraz!
- Vzdialenosť medzi príslušenstvom hojdačky (napr. sedačkou hojdačky)

a zemou by mala byť minimálne 35 cm.

- Vzdialenosť medzi príslušenstvom a rámom musí byť minimálne 30 cm.
- Vzdialenosť medzi hákami hojdačky (Swing Hooks) musí byť 45 cm.
- Vzdialenosť medzi časťami hojdačky musí byť 45 cm.
- Lano na šplhanie a lanový rebrik musia byť vždy zaistené hore aj dole, pretože voľne visiace lano sa môže zauzliť do držiaka a deti sa môžu doňho zamotať.

## KONTROLA A ÚDRŽBA

Pre bezpečnosť užívateľov ihriskovej konštrukcie je potrebné vykonávať dolu uvedenú bezpečnostnú kontrolu na začiatku každej sezóny a potom dva krát mesačne počas užívacej sezóny. Ak sa nevykonávajú pravidelné údržbové kontroly, hračka sa môže prevrátiť alebo môže byť inak nebezpečná.

### Komponenty z dreva

- Skontrolujte odštiepenia a iné možné vady konštrukcie.
- Údržbu konštrukcie vykonávajte pravidelnou aplikáciou ochranného prostriedku na drevo vo vonkajšom prostredí, aby ste zabránili hnilobe. Nepoužívajte nátery, ktoré by mohli vytvoriť klzký povrch.

### Kovové komponenty

- Skontrolujte všetky spojovacie časti, či sú dotiahnuté. Pozor: príliš dotiahnuté kovové časti narušia vlákna dreva a spôsobia rozštiepenie.
- Skontrolujte tiež ostatné kovové časti, konzoly, hojdačkové háky na zhrdzavenie, ktoré môže ovplyvňovať ich pevnosť. Ak je to potrebné, vadné časti vymeňte za nové.
- Skontrolujte ukotvenie v zemi a presvedčte sa, či je zaistené. Ak je to potrebné, kotviace časti prestavte, alebo vymeňte.

### príslušenstvo (ak prichádza do úvahy)

- Skontrolujte Rope locks™ (zámkový lana), či sú správne nasadené na Jungle Gym® hojdačkových hákoch. Pri kontrole Rope locks HC (zámkový lana) sa zaveste celou svojou váhou na každé jednotlivé lano hojdačky na niekoľko sekúnd. Rope Locks
- SC je možné skontrolovať posadením sa na zariadenie a pôsobením celou svojou váhou počas niekoľkých sekúnd. Ak je to potrebné, vadné časti vymeňte za nové. Ak dochádza k vrzganiu, je možné Rope Locks HC navlhčiť vodou alebo rastlinným olejom, napr. olivovým olejom.
- Skontrolujte neporušenosť sedačky, tyčky a lana hojdačky či nedochádza k rozstrapkaniu a k extrémnemu oddelovaniu vláken. Pre správne posúdenie lana oddelte jednotlivé pramene tam, kde došlo k rozstrapkaniu a dôkladne skontrolujte, či nie sú prerušené jednotlivé vlákna. Skontrolujte bezpečnostný pás hojdačky pre malé deti. Ak je to potrebné, vadné časti vymeňte za nové.
- Skontrolujte upevnenie šmykačky k plošine, či nevznikli škáry, do ktorých by sa napr. mohli zachytiť šnúry vetrovík s kapučňou a spôsobiť zamotanie.
- Všetko príslušenstvo je možné čistiť teplou vodou a slabým roztokom saponátu. Veľmi znečistené šmykačky je možné čistiť vysokotlakým umývacím zariadením. (Dajte pozor, aby ste nepoškodili povrch šmykačky a drevené časti.)

### Bezpečný priestor na hranie

- Skontrolujte, či pružný povrch nie je príliš ztuhnutý, v prípade potreby ho skyprite. Vypĺňte všetky jamy, napr. pod sedačkou hojdačky.
- Skontrolujte stabilitu ihriskovej konštrukcie.
- Skontrolujte okolie, či sa nevyškylujú priame nebezpečenstvo, ako visiace konáre, šnúry na prádlo a voľne umiestnené predmety.

### Ochrana životného prostredia

Drevené časti ihriskovej konštrukcie nesmú byť pri likvidácii nikdy spaľované. Všetky kovové časti likvidujte tak, aby nevzniklo nebezpečenstvo. Nie je dovolené aby ste sami spaľovali drevo upravené pod tlakom, napúšťané a farbené, z dôvodu znečistenia životného prostredia. Odveďte ho na miestne likvidačné skladište.

## BEZPEČNÁ HRA

### Pozor:

- Na ihrisku musí byť po celý čas hry zabezpečený dozor dospelého osoby pre deti všetkých vekových kategórií.
- Naučte deti bezpečnej hre.
- Deti vhodne oblečte. Vyhnite sa prívieskom, odevom s vyťahovacími šnúrkami, voľným odevným doplnkom a retiazkou okolo krku, ktoré by sa mohli zamotať alebo zachytiť o časti zariadenia. Taktiež cyklistické prilby treba odložiť pred tým, ako sa deti začnú hrať na ihriskovom zariadení.
- V neposlednom rade: používajte zdravý rozum, aby ste sa vyhlili vzniku akýchkoľvek možných nebezpečných situácií.
- Jungle Gym® výrobky sú určené pre deti od 3 do 10 rokov, mimo prípadov, keď je to priamo uvedené.

### Bezpečná hra (ill. 1)

- Na zariadení by sa deti nemali hrať pri vlhkom počasi, z dôvodu možnosti šmyklavých povrchov a ani v období mrazov, kedy sa aj najmäkší podklad môže zmeniť na veľmi tvrdý povrch. Keď teploty klesnú pod 0°C (32°F), treba príslušenstvo odmontovať a uložiť vo vnútorných priestoroch.
- Používanie ihriska alebo zariadení akýmkoľvek iným spôsobom, ako pre ktorý sú určené, môže viesť k poškodeniam, alebo dokonca k úrazom. Neskrúčajte alebo neobalujte hojdačky, refaze, lana alebo iné príslušenstvo. Skrútenie znižuje pevnosť príslušenstva a môže spôsobiť zachytenie.
- Upozornite deti, že nemajú:
  - škákať na hojdačke, keď sa hodiajú
  - hodať prázdne sedačky, alebo iné prázdne príslušenstvo
  - sa hodať šikmým smerom
  - visieť hlavou dolu na žiadnej časti cvičebného zariadenia
  - chytať alebo zastavovať iné dieťa, ktoré je na hociakom pohybovacom sa zariadení
  - prechádzať blízko povedľa, pred, alebo za pohybovúcim sa príslušenstvom
- Upozornite deti, aby sedeli v strede hojdačky celou váhou na sedačke. Dovoľte, aby len jedno dieťa sedelo na každom určenom mieste.

Štandardná konštrukcia : na ihriskovom zariadení je povolená hra max. 3 detí, pričom maximálna váha každého dieťaťa je 50 kg. Štandardná konštrukcia v kombinácii s hojdačkou: na ihriskovom zariadení je povolená hra maximálne 5 detí s maximálnou váhou každého dieťaťa 50 kg.

- Nedovoľte deťom lezenie alebo vŕhanie sa na rám ihriskovej konštrukcie. Pádov by mohlo dôjsť k vážnym úrazom.
- V hracom priestore sa nesmú vyskytovať žiadne iné konštrukcie a prekážky.
- Každý otvorený priestor na plošine zvyšuje riziko možného úrazu. Toto riziko môže byť značne znížené dodatočnými bezpečnostnými prvkami, ako sú rukoväte, bezpečnostné tyče a ohradové zábrany.
- Nedovoľte deťom schádzať po šmykačke akýmkoľvek iným spôsobom ako v svede. Orientujte šmykačku tak, aby na ňu nedopadalo južné slnečné svetlo. Všetky komponenty sa môžu rozhorúčiť a sú vystavené priamemu slnečnému žiareniu. Skôr, ako dovolíte deťom aby sa na ihriskovej konštrukcii hrali, presvedčte sa, či nie je horúca. V prípade potreby ihriskovú konštrukciu môžete ochladiť vodou. Pred použitím ju však osušte. Nestriekajte vodu na šmykačku, aby ste zväčšili radosť deťom pri spúšťaní. Deti by sa spúšťali príliš rýchlo, čo by mohlo viesť k úrazom.

### Požadované náradie (ill.2)

1. Meracie pásmo, 2. Ceruzka, 3. Rámová píla na kov, 4. Pilník na drevo a železo, 5. Elektrická vŕtačka, 6. Kládvo, 7. Vodomerňa líbela

### Štandardné skrutkové spoje (ill.3)

- Do častí, ktoré majú byť spojené, navŕtajte diery ø10 mm.
- Zatlčte valcovú časť navarenej matice kládvo do otvoru. Vystupujúca valcová časť navarenej matice musí byť zapustená do dreva.
- Na driek skrutky nasuňte poistnú podložku, za ňu plochú podložku a spodnú časť čiapečky skrutky. Skrutku zaskrutkujte do navarenej matice najprv ručne, až potom použite 13 mm nástrčný kľúč, upevniny v elektrickej vŕtačke, ktorým každú skrutku dotiahnete tak, aby poistná podložka bola úplne stlačená medzi hlavou skrutky a plochou podložkou. Zatvorte vrchnú časť ochrannej krytky skrutky.
- Ak sa ukáže, že skrutka je krátka, doporučujeme zapustiť vŕtačkou hornú časť otvoru v najhrubšej časti dreva vŕtákom ø 22 mm do hĺbky 15 mm alebo viac tak, aby skrutka po zmontovaní bola zapustená. Otvor natrite farbou. Pretože hlava skrutky je teraz skrytá, nie je potrebné použiť ochrannú krytku skrutky.
- Ak je skrutka príliš dlhá, je potrebné odstrániť jej vystupujúci koniec orezaním pomocou pilky na železo. Ak vzniknú ostré hrany, odstráňte ich pilníkom.

### Vodiace otvory (ill.4a + 4b)

Aby sa predišlo rozštiepeniu dreva, pre všetky skrutky sa doporučuje vytvárať vodiace otvory. Tieto vodiace otvory musia byť 10 mm kratšie ako je dĺžka skrutky.

### Skrutky do dreva (ill. 4a)

- Navŕtajte vodiace otvory ø3 mm pre skrutky do dreva.
- Dôležité je zabezpečiť aby horné plochy všetkých skrutiek boli v rovine povrchu dreva a aby nevystupovali ostré hrany.

### XL Stealth™ skrutky so štvorcovou hlavou (ill. 4b)

- Pre XL Stealth™ skrutku so štvorcovou hlavou vytvárajte najprv otvor ø5 mm do obidvoch častí, ktoré treba spojiť.
- Nasuňte plochú podložku a spodnú časť čiapečky skrutky na driek skrutky. Vsuňte skrutku do otvoru a použite T40 nástrčkový kľúč, upevniny do elektrickej vŕtačky k dotiahnutiu. Zatvorte vrchnú časť ochrannej krytky skrutky.

Pozor: Čapy a skrutky nadmerne nedotahujte!

Ak sa používa tvrdé drevo, bude možno potrebné vyvŕtať vodiace diery so širším priemerom, v závislosti od hustoty dreva.

040\_805\_GSI\_sk\_0300\_20120911\_n1A

# SPLOŠNA VARNOSTNA NAVODILA

Čestitamo za nakup opreme Jungle Gym® Do It Yourself kit. S opremo Jungle Gym® boste lahko v kratkem času sestavili varno igralno opremo: zajamčeno veselje za vašega otroka za mnoga leta.

Oprema Jungle Gym® vsebuje aparature, ki so narejene posebej za ta namen. Sestavine so konstruirane z veliko prizadevnostjo, pri katerem je bila varnost vašega otroka na prvem mestu po pomembnosti. Oprema nima nobenih ostrih kotov ali štrlečih delov in je zaščitena pred vsemi vremenskimi vplivi. Vsi sestavni deli so narejeni po predpisih EN 71-1, -2, -3, -8 & -9 (European Safety Standard) za osebno porabo, pod pogojem, da oprema je za igrišče sestavljena in uporabljena pravilno po navodilih v priročniku. Ne oddaljujte se od teh načrtov in ne spreminjajte konstrukcijo.

Opozorila. Samo za domačo uporabo. Le za zunanjo uporabo. Maksimalna teža uporabnika je 50 kg. Ni primerno za otroke, mlajše od treh let. Primerno za otroke stare od tri do deset let.

Ta izdelek je namenjena samo za uporabo v eno-družinski zasebni hiši. Montaža te opreme na javnih mestih ali za javno porabo se smatra kot čista zloraba tega izdelka.

Natančno preberite ta navodila preden začnete z montažo in jih shranite za kasnejšo uporabo.

## VARNOSTNA NAVODILA

### Les

- Obdelajte vse požagane površine in konce lesa z zunanjim varovalnim sredstvom za les, da bi zaščitili lesa pred gnitjem; tudi takrat, ko uporabite tlačno obdelan les.
- Bodite dodatno pozorni na tiste dele, ki imajo stik z zemljo.
- Tudi vse proti luknje in luknje za vrvjo za gugalnico ali vrvjo za plezanje je treba obdelati z barvo.

### Varno igralno področje

- Kraj Playsat na Nekaldmisan trdno površino, kot je trava in trdno plast peska. Ne postavljajte vaše igralne opreme na betonirano, gramozno, asfaltrano ali kakšno drugo trdo površino.
- Površina tal mora biti poravnana. Postavljanje igralne opreme na poševni zemlji lahko povzroči zanašanje. To zanašanje predstavlja dodatno obremenitev na vseh vezih in spojih in s časom bo povzročilo njihovo zrahljanje in poslabšanje.
- Varno igralno področje je površina 200 cm okrog in okrog igralne opreme. Padec na trdo površino lahko povzroča hude poškodbe. Varnostno igralno cono pokrijete z varovalnim materialom. Spodaj je podan seznam priporočenih materialov za pokrivanje tal.

### Predlagan material

#### nepotlačena debelina plasti

Dvojna nastelja razkosane skorje	50 cm
Enakomerni leseni drobc	50 cm
Drobni gramoz	50 cm
Drobni pesek	50 cm
Trave	

- V varni igralni površini ne sme biti nobenih struktur, ograj, garaže, hiše, visečih vej, vrvic za obešanje perila, električnih kablov ali drugih ovir.
- Ne postavljajte igralne opreme v smeri sprehajališč ali pohodov.
- Robovi za zadrževanje varovalnega materiala morajo biti izven varnostne igralne cone. (leseni ali drugi robovi)

### Varna montaža

- Otroci Morajo ostati izven delovnega področja dokler niso vse ovire iz varne igralne cone odstranjene, igralna oprema dokončno postavljena in vsi deli dobro pritrjeni in preverjeni, in vsa orodja in druge stvari, ki ne pripadajo igralni coni pospravljene.
- Pri gradnji igralne opreme sta potrebna najmanj dva odrasla za dviganje in držanje nosilcev, okvirjev ali drugih težkih sestavnih delov na mestu za vijačenje.
- Preglejte vse sestavne dele in jih sistematično razvrstite po skupinah tako, da bodo lažje dosegljivi. Primerjajte jih s seznamom del.
- Obledite primerno obleko in nosite zaščitno opremo (zaščitna očala, maska proti prahu in rokavice), kadar žagate, vrtae, brusite, pobarvate ali montirate igralno opremo, posebno pa, ko delate z tlačno obdelanim lesom.
- Upoštevajte varnostna navodila proizvajalca orodja in naprav, ki jih uporabljate.
- Ne stojte na ploščad, dokler igralna oprema ni dokončno montirana; uporabite stopničasto lestev, če ne morete doseči visoko.
- Igralna oprema mora biti zanesljivo zasidrana, da ne bi prišlo do prevrnitve ali porivanja. Če narava zemlje omogoča, da se da kole z lahko potegniti je potrebno cementiranje. Prepričajte se, da sidra ne pomolijo ven iz zemlje, ker se otroci lahko na njih spotaknjo.
- Po montaži uporabite kovinsko žago za žaganje vseh štrlečih konic vijakov in drugih zaponk. Vse ostre robove gladite s kovinsko pilo.
- Odstranite vse odkrške z brušenja lesa z brusilnim papirjem. Gladite tudi vse vogale z brusilnim papirjem in jih plitite na minimalni radij 3 mm.
- Ne dodajajte dodatne predmete na telovadno opremo, kakor vrvice, verige, težke vezi ipd.
- Ne sestavite izdelke drugih proizvajalcev z izdelki Jungle Gym®, ker to lahko zmanjša varnost.
- Uporabite Rope Locks™ v kombinaciji z kavli za gugalnico od Jungle Gym®. Ne uporabite Rope locks™ za druge namene, kakor plezanje na hribe ali za vlečanje bremena.
- Navojni vijak Swing Hook LS mora biti do konca vijačen v lesu in čvrsto nategnjen proti križnim prečnikom. Važno je, da poravnate Swing Hook v pravilni položaj. Nepravilno nameščen ali nepravilno kavelj se lahko zlomi ali iztrga in povzroči poškodbe.
- Razdalja med gugalnimi dodatki (npr. gugalni sedež) in tal mora biti najmanj 35 cm.
- Razdalja med dodatkom in okvirjem pa mora biti najmanj 30 cm.
- Razdalja med Swing Hooks (med kavli gugalnice) mora biti 45 cm.
- Vrv za plezanje ali lestev iz vrvi mora biti vedno čvrsto pritrjena na obeh koncih, zgoraj in spodaj, ker se lahko prosto viseča vrvica zavozla in lahko otroka omreži.

## PREGLEDE IN VZDRŽEVANJE

Za zagotavljanje varnosti uporabnikov igralne opreme je nujno opraviti spodaj omenjene preglede na igralni opremi najmanj enkrat na začetku vsake sezone in potem dva krat na mesec med sezono. Če se vzdrževalne kontrole ne izvajajo redno, se igrača lahko prevrne ali povzroči nevarnost na drugi način.

### Leseni komponenti

- Preglejte za odkrške in druge morebitne strukturne napake.
- Vzdržujte opremo s periodično uporabo zunanje zaščite za les za preprečitev lesenega gnitja. Ne uporabite barve, ki ustvarjajo spolzke površine.

### Aparaturna oprema

- Preverite vse aparaturne opreme, če so čvrsto pritrjene. Opozorilo: Prekomerno zategnjena aparaturna lahko drobi vlakna lesa in povzroči razpokline v lesenih ploščah.
- Preverite ostale aparature, konzole in gugalne kavelje tudi zaradi rje, ki vpliva na njihovo moč. Zamenjajte, če je potrebno.
- Preverite sidra in se prepričajte, da so varne. Če je potrebno, jih še enkrat namestite ali zamenjajte.

### Dodatki (če so primerni)

- Preglejte Rope Locks™, če so pravilno nameščene na kaveljih Jungle Gym®-a. Preverite Rope Locks HC tako, da se z vso svojo telesno težo obesite na vsaki posamezni vrvi gugalnice za nekaj sekund. Rope Locks CC lahko preverite tako, da sedite na dodatno opremo z vso svojo telesno težo za nekaj sekund. Zamenjajte, če je potrebno. Če se pojavi škripanje, lahko Rope Lock HC olajšate z vodo ali rastlinskimi oljem kakor je oljivo olje.
- Preverite gugalne sedeže in droge za neokrnjenost in preverite gugalne vrvi za odrgnine ali ekstremsne tvorbe vlaken. Za dobro presojo vrvi, odprite sukajj vrvi tam, kjer se tvorijo odrgnine in pregledajte, če so vlakna odtrgana. Preverite varnostni pas za otroško gugalnico. Zamenjajte, če je potrebno.
- Preverite priključitev tobogana na ploščadi za špranje, v katerih na primer vezalni trak kapuce na bundi lahko zatakne in povzroči težave.
- Vso dodatno opremo lahko čistite z toplo vodo in blagim detergentom. Močno umazanega tobogana lahko čistite z visoko tlačnim čistilnikom. (Paziti morate, da pri tem ne poškodujete površine in lesa.)

### Varno igralno področje

- Preverite, če je bližina površina preveč stisnjena, zarahljajte, če je potrebno. Napolnite vsako luknjo, na primer pod sedežem gugalnice.
- Preverite stabilnost igralne opreme.
- Preglejte okolje za neposredno nevarnost, kakor viseče veje, vrvice za obešanje perila, prosto ležeči predmeti.

### Varstvo okolja

Leseni deli igralnih oprem ne smete nikoli zažgati, ko jih odstranite. Odstranite vse kovinske dele tako, da ne predstavljajo nevarnost. Ni dovoljeno, da sami zažigate tlačno obdelani, zamazani ali pobarvani les zaradi onesnaževanje okolja. Odnosite odpadke na lokalno odlagališče.

## VARNA IGRA

### Pozor:

- Ves čas mora biti prisotno nadzorstvo odraslega človeka za otroke vseh starosti.
- Učite otrokom varno igrati.
- Otroke primerno oblačite. Izogibajte se dodatkom, oblekom z vpeljalnimi pasovi, širokim oblekam in vezalnimi trakovam okrog vratu, ki se lahko zatikajo ali zapletejo na opremo. Tudi čelado za kolo je treba sneti pred igranjem na opremo v igrišču.
- Nazadnjem, vender pomembno: uporabite zdravo pamet in se izogibajte vse morebitne situacije, ki niso varne.
- Izdelki so konstruirani za otroke v starosti 3 do 10 let, če drugače ni označeno.

### Varna igra (III.01)

1. V mokrih vremenskih razmejah se ne sme igrati na igralnih opreмах zaradi potencialnih plozkih površin in sploh v času pomrznitve, kadar lahko najbolj metka površina spremeni v zelo trdo površino. Kadar temperatura pade pod 0°C (32°F), je treba dodatno opremo razmontirati in shraniti v zaprt prostor.
2. Uporaba igrišča ali dodatnih oprem v druge namene kot so določene lahko pelje do poškodbe. Ne obračajte ali zavijajte nihala, verige, vrvi ali druge dodatke. To zmanjšuje njihovo moč in otrok se lahko ujame v past.
3. Opozorite otroke, da ne smejo:
  - skočiti iz gugalnice med guncanjem
  - zibati prazne sedeže gugalnice ali kakšno drugo opremo
  - guncati pod kotom
  - se obesiti z glavo navzdol na kateregakoli dela gimnastične opreme
  - prejeti ali ustaviti drugega otroka na premikajočo opremo
  - hoditi blizu, pred, med ali za premikajočo dodatno opremo
4. Opozorite otroke, da morajo sedeti na sredi gugalnice z vso težo svojega telesa na sedežu. Samo en otrok na enem sedežu je dovoljen. Standardni stolp: maksimalno 3 otroci z maksimalno težo 50 kg na vsakega, lahko igrajo na igralno opremo. Standardni stolp skupaj z gugalnico: maksimalno 5 otrok lahko se lahko igra na igralni opremi z maksimalno posamezno težo 50 kg.
5. Plezati ali obesiti se na okvir igralne opreme ne sme biti dovoljeno. Lahko pride do resnih poškodb zaradi padca.
6. Od igralne površine je treba odstraniti vse strukture in ovire.
7. Vsaka odprta površina na ploščadi povečuje nevarnost za možne nesreče. Tveganje se da znatno zmanjšati z dodatnimi varnostnimi ukrepi, kot so: opremljenje z ročaji, varnostnimi drogi in ograjnimi deskami.
8. Ne dovolite otrokom, da gredo dol po toboganu na kakšen drug način kot z sede. Izogibajte se izpostavljanju tobogana južnemu soncu. Vsi deli se lahko segrejejo, če so postavljeni direktno na sonce. Prepričajte se, da igralna oprema ni vroča, preden dovoljite otroku, da se začne igrati. Če je potrebno lahko igralno opremo ohladite z vodo in jo posušite pred uporabo. Ne razpršite vodo na tobogan za večji vžitek pri igranju. Otroci bodo drsili hitreje, kar lahko povzroči poškodbe.

### Potrebna orodja (III. 2)

1. Merilni trak, 2. Svinčnik, 3. žaga, 4. Pilo za les in kovino
5. Električni vrtni stroj, 6. Ključivo, 7. Vodna tehtnica

### Standardne vijačne vezi (III. 3)

- Zvrtajte luknjo premera 10 mm v delih, ki jih je treba privezati.
- Cevno matico vrnite v luknjo z udarcem kladiva. Cevna matica mora biti porinjena do konca v les.
- Namestite vodno podložko na ravnem delu vijaka, nato pa ravno podložko in spodnji del kape vijaka. Začnite preliminarno za tesnjenjem vijaka v cevno matico z roko pred uporabo 13 mm ključne mufe na vaš električni vrtni stroj za zatesnjenje vsakega vijaka dokler vzmetni del vzmetne podložke ni do konca stisnjen med glavo vijaka in ravno podložko. Zaprite zaščitno kapo vijaka.
- Če je vijak prekratek, predlagamo vrtnanje zgornjega dela luknje v naj-debelejšem delu lesa z svedrom premera 22 mm, do globine 15 mm ali več, tako, da bo vijak poglobljen po sestavljanju. Obdelajte luknjo z zamazem. Ker je zdaj glava vijaka skrita, ni potrebno uporabiti zaščitno kapo vijaka.
- Če pa je vijak predolg, je potrebno odstraniti štrleči del z odžaganjem s pomočjo kovinske žage. Če so kakšni ostri robovi, uporabite pilo.

### Pilotne luknje (III. 4a+4b)

Da bi preprečili razcepljenje lesa, priporočamo vrtnanje pilotnih lukenj za vse vijake. Te pilotne luknje morajo biti 10 mm krajše od dolžine vijaka.

### Leseni vijaki (III. 4a)

- Zvrtaj pilotno luknjo premera ø3 mm za lesne vijake.
- Zelo važno je, da so vrhovi vseh vijakov poravnani s površino lesa in, da ni nikjer nobenih štrlečih ostrih robov.

### XL Stealth™ temeljni vijaki (III. 4b)

- Za XL Stealth™ temeljni vijak zavrtajte luknjo premera ø5 mm skozi oba dela, ki jih je treba pritrditi.
- Namestite ravno podložko in spodnji del kape vijaka na steblo vijaka. Namestite vijak v luknjo in uporabite T40 vložek ključa na električni vrtni stroj za zatesnjenje vijaka. Zaprite zaščitno kapo vijaka.

Opozorilo: vijakov ne zategujete prekomerno!

Kadar se uporablja trd les, bo verjetno potrebno izvržati poskusne luknje s širšim premerom, odvisno od gostote lesa.

040\_805\_GSI\_sl\_0300\_20120911\_n1A

# SIGURNOSNO UPUTSTVO

Čestitamo na kupovini Jungle Gym® proizvoda. Ovim Jungle Gym® kompletom moći ćete napraviti siguran sklop za igru koji će Vašu decu u vrtu zabavljati dug niz godina.

Svi proizvodi Jungle Gym konstruirani su u skladu s EN 71-1, -2, -3, -8 & -9 (Evropski sigurnosni standard za igračke) za privatnu upotrebu pod uslovom da se sve sastavi i ispravno koristi u skladu s ovim uputstvom. Ne odstupajte od ovih nacrti niti ne menjaite konstrukciju.

Upozorenja. Samo za kućnu upotrebu. Samo za spoljašnju upotrebu. Maksimalna težina korisnika je 50 kg. Nije prikladno za decu mlađu od tri godine. Prikladno za decu staru od tri do deset godina.

Ovaj proizvod namenjen je samo za porodičnu upotrebu kod kuće. Koristištenje u javnom okruženju poput parka, dečjeg igrališta ili škole smatra se nenamenskom upotrebom proizvoda.

Brižljivo pročitajte ovo uputstvo za sastavljanje pre nego što počnete sa sastavljanjem i sačuvajte ga za buduću upotrebu.

## SIGURNOSNO UPUTSTVO

### Greda

- Sve rezane površine i krajeve obradite sredstvom za spoljašnje konzerviranje drveta kako biste sprečili truljenje čak i kada koristite drvo obrađeno pod pritiskom.
- Obratite posebnu pažnju na delove koji dolaze u dodir sa zemljom.
- Sve suprotne potopne rupe i rupe za Rope Ladder (lestve od špage) ili Climbing Rope (uže za penjanje) obradite bojom.

### Sigurno područje za igru

- Postavite playset na nepopločanu čvrstu površinu, kao što su trava ili čvrsti sloj peska. Svoj komplet za igru ne postavljajte preko betona, šljunka, asfalta ili bilo koje druge tvrde površine.
- Površina tla mora biti ravna; čak i najmanja izbočina može uzrokovati dodatno naprezanje spojeva i zglobova.
- Sigurno područje za igru odnosi se na zonu koja se rasprostire 200 cm iza kompleta za igru na sve strane. U nastavku se nalazi popis preporučenih podnih obloga unutar sigurnoga područja za igru.

### Predloženi materijal Minimalna nekomprimirana dubina

Dvostruko usitnjeni malč:	50 cm
Jednolični komadići drveta:	50 cm
Sitni šljunak:	50 cm
Sitni pesak:	50 cm
Travu	

- Uklonite sve opasnosti od spoticanja kao što su kamenje, korenje itd.sa sigurnog područja za igru.
- Na sigurnom području za igru ne smeju se nalaziti nikakve konstrukcije, ograde, garaže, kuće, viseće grane, konopci za veš, električne žice i druge prepreke.
- Ne postavljajte svoj komplet za igru u smeru staza ili prolaza.
- Svaki korišteni rub koji sadrži podnu oblogu mora se nalaziti iza sigurnoga područja za igru (krajobrazno drveće ili drugi rubovi).

### Sigurna instalacija

- Deca bi trebala ostati izvan područja rada dok se sigurno područje za igru ne očisti od prepreka, komplet za igru potpuno ugradi, svi sklopovi zategnu i proverite, te pokupe svi alati i druge stvari koje ne spadaju u područje za igru.
- Za podizanje i držanje greda, okvira i drugih teških sklopova potrebne su najmanje dve odrasle osobe.
- Proverite sve delove i grupišite ih sastavno u području rada. Uporedite ih s popisom delova.
- Nosite prikladnu odeću i sigurnosnu opremu (npr. sigurnosne naočare, masku za prašinu, rukavice) dok sečeete, bušite, brusite, bojite ili sastavljate.
- Sledite sigurnosne preporuke proizvođača za alate i opremu koju koristite.
- Ne stojte na postolju dok komplet za igru u potpunosti ne sastavite.
- Izbegavajte sastavljanje u lošim vremenskim uslovima.
- Komplet za igru mora biti sigurno ankerisan kako bi se sprečilo pokretanje ili guranje. Cementiranje je potrebno ako uslovi tla dopuštaju da se stubovi izvuku s lakoćom. Uverite se da ankeri ne vire previše iz tla.
- Nakon sastavljanja, uverite se da koristite testeru za metal kako biste odrezali sve viškove navojnih krajeva vijaka i drugih stezača. Sve oštre viškove uklonite turpijom za metal.
- Kako biste sprečili odlamanje, drvo prebrusite brusnim papirom. Brusnim papirom ili turpijom za metal, takođe, izgladite sve uglove do polimera od 3 mm.
- Ne umećite dodatne elemente u ovaj Jungle Gym® kao što su konopci, lanci, teški kabeli ili drugo.
- Ne kombinujte proizvode drugih proizvođača s proizvodima Jungle Gym®.
- Rope Locks™ koristite samo u kombinaciji s Jungle Gym® Swing Hooks (kukama njihovke). Rope locks™ ne koristite za druge namene kao što su planinarenje ili vuča tereta.
- Navoj vijka Swing Hook LS (kuke njihovke LS) mora se potpuno zavrtiti u drvo. Važno je da Swing Hook (kuku njihovke) postavite u pravilan položaj.
- Udaljenost između pribora njihovke (npr. sedalice za njihovku) i tla trebala bi biti najmanje 35 cm.
- Udaljenost između pribora i okvira trebala bi biti najmanje 30 cm.
- Udaljenost između Swing Hooks (kuka njihovke) trebala bi biti najmanje 45 cm.
- Udaljenost između pribora za njihanje trebala bi biti najmanje 45 cm.
- Climbing Rope (Konopac za penjanje) ili Rope Ladder (lestve od konopca) uvijek bi trebali biti osigurani kako na vrhu tako i na dnu, jer slobodno viseći konopac može uzrokovati davljenje. Konopci se ne bi smeli sami zapetljati.

## PROVERA I ODRŽAVANJE

Da osigurate sigurnost, komplet za igru treba podvrgnuti gore spomenutim sigurnosnim proverama, jedanput na početku svake sezone te zatim dva puta mesečno tokom sezone korišćenja. Premestite ili zategnite sve delove ako je potrebno. Zamenite sve delove u slučaju oštećenja. Ako se servisne provere ne obavljaju redovno, aktivacijska igračka može se prevrnuti ili uzrokovati opasnost na neki drugi način.

### Drvene komponente

- Proverite odlamanje i moguće druge konstrukcijske kvarove.
- Drvo održavajte povremenom primenom spoljašnjeg sredstva za konzerviranje drveta kako biste sprečili truljenje. Ne koristite boju ili druga sredstva za završnu obradu koja mogu uzrokovati sklisku površinu.

### Metalni delovi

- Proverite sve metalne delove kako biste bili sigurni da su zategnuti. Oprez: previše zategnuti metalni delovi lome vlakna drveta zbog čega dolazi do napuklina u daskama.
- Proverite korodiranost preostalih metalnih delova, nosača i kuka njihovke.
- Proverite ankere kako biste bili sigurni da su zategnuti.
- Proverite jesu li u pokrovima prisutni vijci i oštri krajevi.

### Pribor (ako je prikladno)

- Proverite jesu li Rope Locks™ pravilno montirani na Jungle Gym® Swing Hooks (kuke njihovke). Proverite Rope Locks SC (zasune za konopac HC), okačite se svojom punom težinom tela na svaki pojedini konopac za njihovku nekoliko sekundi. Proverite Rope Locks SC (zasuni za konopac SC) sedeci na sklopu nekoliko sekundi. Ako dođe do bilo kakvog škripanja, Rope Locks HC (zasuni za konopac HC) mogu se navlažiti vodom ili biljnim uljem kao što je maslinovo ulje.
- Proverite čvrstoću sedalica i šipki njihovke. Proverite konopce njihovke na habanje ili ekstremno stvaranje vlakana. Kako biste proverili konopac, proverite kabele gde je došlo do habanja i zbog sigurnosti proverite jesu li niti puknute. Proverite sigurnosni kaiš Baby Swing (dečje njihovke).
- Proverite priključak klizača na platformi s obzirom na otvore u kojima se npr. mogu zaglaviti odeća ili uzice jakni s kapuljačom.
- Sav pribor može se čistiti toplom vodom i blagim deterdžentom. Teško zaprljani klizači mogu se očistiti čistačem visokog pritiska. Budite oprezni kako ne biste oštetili kliznu površinu i drvo.

### Sigurno područje za igru

- Proverite je li površina za apsorpciju udarca previše komprimirana, popustite je ako je potrebno. Napunite sve rupe (npr. pod sedalicama njihovke).
- Proverite stabilnost kompleta za igru.
- Proverite prisutnost visećih grana, konopaca za veš, labavih materijala na sigurnom području za igru.

### Zaštita okoline

- Sve metalne delove zbrinite bez stvaranja opasnosti. Ne spaljujte pod pritiskom obrađeno, obojeno drvo sami, odnesite ga na mesto za zbrinjavanje.

## SIGURNA IGRA

### Pažnja

- Za decu je sve vreme potreban nadzor odrasle osobe.
- Naučite decu da se igraju sigurno.
- Obucite decu prikladno, izbegavajte pribor, odeću s vrpčama za stezanje, labavu odeću i stegnute predmete. Nošenje biciklističkih kaciga nije dopušteno.
- Postupajte razumno kako biste izbegli bilo koju moguću nesigurnu situaciju.
- Proizvodi Jungle Gym® konstruirani su tako da ih mogu koristiti deca starosti od 3 do 10 godina ako nije naznačeno drugačije.

### Sigurna igra (sl. 1)

- Na opremi se ne sme igrati u mokrim ili hladnim vremenskim uslovima. Pribor treba odneti unutra ako temperature padnu ispod 0° C.
- Komplet za igru ili pribor ne koristite nenamenski. Ne uvijajte niti ne omotavajte njihovke, lance, konopce ili bilo koji drugi pribor. Uvijanje može smanjiti snagu pribora i uzrokovati zaglavljnje.
- Upozorite decu da NE:
  - skaču s njihovki dok se one kreću
  - ne nišu prazne sedalice ili drugi prazan pribor
  - niju pod uglom
  - ne vise naglavačke iz bilo kojeg dela kompleta za igru
  - hvataju ili zaustavljaju drugo dete na bilo kojoj pokretnoj opremi
  - hodaju u blizini, ispred, između ili iza pokretnog pribora
- Upozorite decu da sede u središtu pribora za njihanje sa svojom punom težinom na sedalici. Dopušteno je samo jedno dete po sedalici. Standardni toranj: dopušteno je najviše 3 deteta na kompletu za igru u isto vreme s maksimalnom težinom svakoga od 50 kg. Standardni toranj + dodatak Jungle Gym Module (dodatni modul Jungle Gym): najviše 5 dece (svako maks. 50 kg).
- Penjanje na vrh krova ili na vrh okvira Modula ne bi se smelo dopuštati.
- Područje za igru mora biti oslobođeno od svih konstrukcija i prepreka.
- Sigurnosni rizici mogu se znatno smanjiti ako pravilno koristite priložene sigurnosne komponente poput rukohvata, sigurnosnih šipki i letvica za ogradu.
- Ne dopustite deci da se ne spuštaju na bilo koji drugi način osim sedeci i gledajući napred. Izbegavajte izlaganje tobogana južnom sunčevu svetlu. Sve komponente mogu postati vrlo vruće kada se izlažu direktnom sunčevu svetlu. Uverite se da komplet za igru nije vruć pre nego što deci dopustite igranje. Ako je potrebno, tobogan treba ohladiti vodom i osušiti prije korišćenja. Ne koristite vodu na toboganu kako biste povećali brzinu. Ne priključujte ništa na komplet za igru što nije dopustila tvrtka Jungle Gym®, npr. konopac za veš, električne uređaje, labave konopce ili lance itd.

### Potrebni alati (sl. 2)

- Merna traka, 2. Olovka, 3. Sekira/testera za drvo, 4. Turpija za drvo i metal, 5. Električna bušilica, 6. Čekić, 7. Libela

### Standardni vijčani spojevi (sl. 3)

- Izbušite rupe ø 10 mm u delovima za pričvršćivanje. Postavite trup zavarenog mesta u rupu.
- Postavite elastičnu podlošku preko tela vijka i nakon toga pljosnату podlošku i donji deo kape vijka. Pripremo zatezanje vijka u zavarenu maticu počnite rukom. Zatim upotrebite 13 mm spojnicu u električnoj bušilici kako biste zategnuli svaki vijak dok se opružna akcija opružne podloške potpuno ne komprimira između glave vijka i pljosnate podloške. Zatvorite osnovu vijka zaštitnim pokrovom.
- Ako je vijak prekratak, suprotno izbušite gornji deo rupe u najdebljem delu drveta burgijom ø 22 do dubine od maks. 15 mm. Vijak će se zatim utisnuti nakon sastavljanja. Obradite rupu bojom. Budući da je

glava vijka sada upuštena, nema potrebe za korištenjem zaštitnog pokrova za vijak.

- Ako je vijak predugačak, kraj koji viri treba ukloniti tako da ga odrežete testerom za metal. Ako se pojave oštri krajevi, upotrebite turpiju.

### Vijci za drvo (sl. 4.a)

- Izbušite ø 3 mm provodne rupe za vijke za drvo. Rupe bi trebale biti 10 mm kraće od dužine vijaka. Za tvrdo drvo možda će biti potrebno izbušiti provodne rupe dužeg promera zavisno od gustoće drveta.
- Uverite se da su glave svih vijaka poravnane s površinom i da nema oštrih krajeva.

### XL Stealth™ stezači (sl. 4.b)

- Izbušite ø 5 mm provodnu rupu kroz oba dela.
- Stavite osnovu pokrova vijka preko tela vijka. Umetnite vijak i upotrebite T40 nastavak za zatezanje. Zatvorite osnovu vijka zaštitnim pokrovom.

Oprez: vijke i matice ne zatežite previše!

Jungle Gym® kompleti sadrže dijelove kojima se u kombinaciji s drvetom mogu napraviti kompleti za igru, akose strogo slijede upute za sastavljanje, komplet za igru bit će sukladan s EN 71-1, -2, -3, -8 i -9. Drvo nije priloženo. Tobogani se prodaju odvojeno. Upozorenje: ne instalirajte iznad betona, asfalta ili bilo koje druge tvrde površine. Prikladno samo za kućnu upotrebu. Ovaj proizvod može odstupati od prikaza na fotografiji. Specifikacije podložne promjenama bez prethodne obavijesti

Kada se koristi tvrdo drvo, možda će biti potrebno bušiti pilot rupe sa većim prečnikom, u zavisnosti od gustine drveta.

040\_805\_GSI\_sr\_0100\_20170607\_nIA

SI

# SÄKERHETSINSTRUKTIONER

Gratulerar till köpet av en gör-det-själv-sats från Jungle Gym®. Med Jungle Gym®-satsen kan du bygga en säker lekplats på kort tid: ett garanterat glädjeförnöje för dina barn under många år.

Jungle Gym®-satserna är speciellt framtagna. Materialet är omsorgsfullt utvecklat med barnens säkerhet för ögonen. Materialet har inga vassa kanter eller delar som sticker fram och det har behandlats för att stå emot väder och vind. Alla delar i satsen uppfyller kraven enligt EN 71-1,-2,-3,-8 & -9 (European Safety Standard) för privat bruk, under förutsättning att lekplatsutrustningen byggs och används enligt instruktionsboken. Följ instruktionsboken och ändra inte på byggkonstruktionerna.

SV

Varning: Endast för hemmabruk. Endast för användning utomhus. Den maximala användarvikten är 50 kg. Inte lämplig för barn under tre år. Lämplig för barn mellan tre och tio år.

Produkten är avsedd endast för privat bruk. Montering för offentligt bruk eller på offentligt plats är ett påtagligt missbruk av produkten.

Läs igenom instruktionerna noggrant innan du börjar bygga. Spara de här bygginstruktionerna för framtida bruk.

# SÄKERHETSINSTRUKTIONER

## Timmer

- Behandla alla sågytor och ändrar med utomhus lasyr för att förhindra tråröta, även om du använder tryckbehandlat virke.
- Var extra noggrann med delarna som rör vid marken.
- Behandla även alla nersänkta hål och hål för repstegar eller klätterrep med lasyr.

## Safe play area

- Placera Playset på en obelagd och stadigt underlag, exempelvis gräs eller ett fast skikt av sand. Bygg inte din lekplats på betong, grus, asfalt jord eller andra hårda ytor.
- Markytan måste vara jämn. Om du bygger lekplatsen på sluttande mark kan den luta och bli ostadig. Lutningen leder till att alla förbindelser och leder utsätts för högre påfrestningar, vilket så småningom kan leda till att de luckras upp och går sönder.
- Säker lektyta refererar till en zon som är mer än 200 cm utanför själva lekställningen på alla sidor. Fall på hårda ytor kan leda till
- svåra skador. Installera marktäckning i den säkra lekzonen. Här följer en lista över marktäckande material som rekommenderas.

## Föreslaget material

Föreslaget material	okomprimerat djup
Barkmull	50 cm
Träflisor	50 cm
Fint grus	50 cm
Fin sand	50 cm
Gräs	

- Den säkra lekytan ska vara fri från närmaste byggnad eller hinder, såsom staket, garage, hus, låga grenar, tvättlinor eller elektriska ledningar.
- Placera inte din lekplats i riktning mot trottoarer eller gångar.
- Eventuella kanter runt marktäckning måste ligga utanför det säkra lekområdet. (t.ex. plankor)

## Säker installation

- Barn bör inte vistas i byggområdet förrän alla verktyg och annat som används vid byggandet är borttagna och lekplatsen är helt monterad med åtdragna och kontrollerade skruvar och bultar.
- Det krävs minst två personer vid lekplatsbygget för att lyfta och hålla i bjälkar, ställningar och andra tunga tillbehör som ska fästas med bultar eller skruvas fast. Det tar en timme att bygga en gungställning och upp till fyra timmar att bygga ett klättertorn.
- Kontrollera delarna och gruppera dem systematiskt så att du har dem inom räckhåll. Jämför dem med listan över delar.
- Använd rätt kläder och säkerhetsutrustning (t.ex. skyddsglasögon, munskydd och handskar) när du sågar, borrar, slipar, betsar eller sätter ihop lekplatsen - framför allt när du arbetar med tryckbehandlat virke.
- Följ tillverkarens säkerhetsrekommendationer för verktygen och utrustningen du använder.
- Stå inte på plattformen förrän lekplatsen är komplett ihopsatt; använd stege om du inte når högt nog.
- Lekplatsen måste förankras säkert för att ställningen inte ska kunna välta eller skaka. Om marken är så lös att pålar lätt kan ryckas upp, behövs cementering. Se till att inga markkankare sticker upp ur marken eftersom barn lätt kan snubbla över dem.
- När du satt ihop lekplatsen, bör du använda en metallsåg för att såga av alla utstickande gängade ändrar av bultar och andra fästordningar. Slipa bort alla vassa kanter med en metallfil.
- Sandpappra träet för att förebygga flisor. Slåta även till alla hörn med sandpapper eller en metallfil till en radie på 3 mm.
- Sätt inte fast ytterligare föremål, såsom rep, kedjor, tjocka snören eller dylikt, på den här lekplatsen.
- Kombinera inte produkter från andra tillverkare med Jungle Gym®-produkter. Det kan äventyra säkerheten.
- Använd bara RopeLocks™ tillsammans med gungkrokar från Jungle Gym®. Använd inte RopeLocks™ för andra syften, till exempel bergs-klättring eller att dra tunga laster.
- Skruvöglan till Swing Hook LS ska skruvas helt in i och dikt mot tvärbjälkens trä. Det är viktigt att Swing Hook öglorna sitter i linje och i korrekt läge. En felaktig montering eller öglor som inte sitter i linje kan gå sönder, dras ut eller på annat sätt försaka skador!
- Avståndet mellan gungtillbehör (t.ex. en gungsits) och marken bör vara minst 35 cm.
- Avståndet mellan två gungor eller mellan gunga och ställningsram bör vara minst 30 cm.
- Avståndet mellan Swing Hook öglorna ska vara 45 cm.
- Avståndet mellan gungtillbehören ska vara 45 cm.
- Klätterrep och repstegar måste alltid fästas både upptill och nertill eftersom ett fritt hängande rep kan knytas till en snara och barn kan fastna och kvävas.

# KONTROLL OCH UNDERHÅLL

För användarsäkerhetens skull måste lekplatsen säkerhetsgranskas enligt nedan - en gång i början av säsongen och ytterligare två gånger per månad under användningssäsongen. Om underhållskontrollerna inte utförs regelbundet kan lekplatsen välta eller på annat sätt bli farlig.

## Träkomponenter

- Kontrollera flisor och eventuella andra defekter i träets struktur.
- Underhåll ställningen genom att betsa den utvändigt regelbundet för att förebygga tråröta. Använd inte målarfärg som kan göra ytan hal.

## Monteringsmaterial

- Kontrollera alla monteringsdelar så att de är ordentligt åtdragna. Varning: Skruvar och bultar som dras åt för hårt krossar träets fibrer och leder till att det spricker.
- Kontrollera även rost, som kan påverka styrkan hos övriga material, beslag och gungkrokar. Byt ut dem vid behov.
- Kontrollera markkankaren för att försäkra dig om att de är säkrade. Byt ut eller flytta om nödvändigt.

## Tillbehör (vid behov)

- Kontrollera RopeLocks™ så att de sitter rätt på Jungle Gym®-gungkrokarerna. För att kontrollera RopeLocks HC, hänger du dig med hela din kroppsvikt på varje enskilt grepp i några sekunder. RopeLocks SC kan kontrolleras genom att man sitter på tillbehöret med hela sin kroppsvikt i några sekunder. Byt ut om nödvändigt.
- Om det hörs gnissel, kan man fukta RopeLocks HC med vatten, eller vegetabilisk olja så som olivolja.
- Kontrollera stabiliteten hos gungsitsar och bjälkar och kontrollera att gungrepen inte börjat trasas sönder eller luckras upp i fibrer. För att bättre bedöma repets tillstånd, kan du dra isär det där det är slitet och titta noga om fibrerna är avslitna. Kontrollera babygungans säkerhetsbälte. Byt ut det vid behov.
- Kontrollera rutschbanans fäste mot plattformen så att ingenting sticker upp som till exempel kapuschongsnören kan fastna i - vilket kan leda till kvävning.
- Alla tillbehör kan rengöras med varmt vatten och ett mildt rengöringsmedel. Svårt nersmuttsade rutschbanor kan rengöras med högtryck svävt. Var försiktig så att du inte skadar rutschbanans ytskikt.

## Safe play area

- Kontrollera att det stötdämpande markskiktet inte är alltför komprimerat. Luckra upp det om det behövs. Fyll i eventuella hål, till exempel under gungsitsar.
- Kontrollera ställningens stabilitet.
- Kontrollera riskmoment i omgivning, t ex låga grenar, tvättlinor, lösa material.

## Miljöskydd

Trädelar av lekplatser bör aldrig tändas när de kastas. Gör dig av med alla metalldelar på ett säkert sätt. Man får inte bränna tryckbehandlat, betsat eller målat virke själv eftersom det är miljöfarligt. Ta med det till din lokala miljöstation.

# SÄKER LEK

## Obs:

- Vuxna måste övervaka leken på plats. Det gäller barn i alla åldrar och vid alla tillfällen.
- Lär barnen att leka säkert.
- Klä barnen rätt. Undvik accessoarer och kläder med dragnören och stora kläder, som kan fastna eller rivas sönder på utrustningen.
- Sist men inte minst: Använd sunt förnuft för att undvika eventuella faromoment.
- Jungle Gym®-produkter är avsedda för barn i ålderna 3-10 år, om inte annat anges.

## Säker lek (III. 1)

- Utrustningen bör inte lekas på vid våt väderlek eftersom ytorna kan bli hala. Vid frost kan även den mjukaste mark förvandlas till en mycket hård yta. Tillbehör ska tas av och förvaras inomhus när temperaturen underskrider 0° C (32° F).
- Om lekplatsen eller tillbehören används på något annat sätt än det de är avsedda för, kan det leda till material- eller personskador. Snurra och vrid inte gungor, kedjor, rep eller andra tillbehör. Att snurra dem gör tillbehören mindre hållbara och kan leda till kvävning.
- Säg till barnen att inte:
  - hoppa ner från gungor som är i rörelse
  - gunga tomma gungsitsar eller andra tomma tillbehör
  - gunga snett
  - hänga upp och ner från någon del av ställningen.
  - ta tag i eller hejda ett annat barn på ett tillbehör som rör sig
  - gå nära, framför, mellan eller bakom tillbehör som rör sig
- Säg till barnen att sitta mitt på gungorna, med hela sin vikt på sitsarna. Platser bör användas som beräknat av tillverkaren, av ett barn i taget. Ett standardtorn: max 3 barn får leka på ställningen. Maxvikten per barn är 50 kg. Ett standardtorn kombinerat med en gunga: max 5 barn får leka på ställningen. Maxvikten per barn är 50 kg.
- Man bör inte låta barn klättra eller hänga på själva ställningsramen. Fall kan leda till svåra skador.
- Lekytan ska vara fri från alla typer av föremål eller hinder.
- Varje öppen yta på en plattform ökar olycksrisken. Flisken kan minskas avsevärt genom att man sätter upp säkerhetsutrustning, såsom handtag, säkerhetsräcken och brädor.
- Låt inte barnen åka rutschbana på något annat sätt än sittande. Undvik att utsätta rutschbanan för soljussöderifrån. Alla delar kan bli varma när de utsätts för soljuss. Kontrollera att lekplatsen inte är varm innan du låter barnen leka. Om det behövs, kan ställningen kylas av med vatten. Torka den innan den används. Spruta inte vatten på rutschbanan för att öka lekglädjen. Barnen åker då för fort och det kan leda till skador.

## Verktyg som krävs (III. 2)

- Måttband, 2. Blyertspenna, 3. Metallsåg, 4. Trä- och metallfil
- Elektrisk bormaskin, 6. Hammare, 7. Vattenpass

## Standardbultkopplingar (III. 3)

- Borra ett 10 mm hål i de delar som ska monteras.
- Driv in den svetsade mutterhylsan i hålet med en hammare. Den utskjutande hylsan på den svetsade muttern ska vara inne i träet.
- Placera låsbrickan över bultens skaft följd av planbrickan och den undre delen av bultöverfallet. Dra åt bulten i den svetsade muttern för hand innan du använder en 13 mm hylsa i din elektriska skruvdragare för att dra åt bultarna tills låsbrickorna är så hårt komprimerade mellan bultbultvudet och planbrickan att de är helt plana. Stäng bultöverfallets överdel.
- Om bulten verkar för kort rekommenderar vi att du borrar upp den övre delen av hålet, i den tjockaste delen av träet, med ett 22 mm borr till ett djup på 15 mm eller mer så att bulten sjunker ner efter montering. Stryk lasyr i det borrade hålet. Eftersom bulten nu är nersänkt behöver överfallet inte användas.
- Om bulten verkar för lång, måste den överskjutande biten klippas av. Om det bildas några vassa kanter, använder du en fil.

## Förborrning (III. 4a + 4b)

För att träet inte ska splittras, bör du alltid förborra innan du skruvar. De här förborrade hålen är 10 mm kortare än skruven.

## Träskruv (III. 4a)

- Borr 3mm för träskruv.
- Det är viktigt att skruvskaften är inte sticker upp ovanför träytan, samt att den ej har några skarpa uppstickande kanter.

## XL Stealth™ träskruv med rund skalle (III. 4b)

- För XL Stealth™ träskruvarna med rund skalle borrar ett 5 mm hål genom båda delarna som ska sättas fast.
- Placera en planbricka och den undre delen av bultöverfallet på skruvskaftet. Placera skruven i hålet och använd en T40 hylsa och en elektrisk skruvdragare. Stäng bultöverfallet med en övre del.

Varning: dra inte åt skruvarna och bultarna för hårt!

När man använder hårdträ kan det vara nödvändigt att borra hålen något större beroende på träets densitet.

040\_805\_GSI\_0300\_20120911\_NJA

## GENEL GÜVENLİK TALİMATLARI

Jungle Gym® "Kendin Yap" kitini aldığınız için tebrik ederiz. Bu kit ile kısa sürede güvenli bir oyun seti yapabileceksiniz: Bu çocuklarınız için uzun yıllar sürecek garantili bir keyif olacaktır.

Jungle Gym® kiti özel üretilmiş bir donanım içermektedir. Bu donanım, büyük ölçekli dizayn edilmiş en büyük önem çocuklarınızın güvenliğine verilmiştir. Donanımın sivri uçları veya çıkıntılı parçaları yoktur; tüm hava etkilerine karşı da korunmuştur. Donanımdaki tüm parçalar, oyun parki ekipmanının kullanım klavuzuna uygun monte edilmiş ve kullanılması koşullarıyla, kişisel kullanım için EN 71-1,-2,-3, -8 & -9 (Avrupa Güvenlik Standardı) ile uyumludur. Bu planları veya dizaynı değiştirmeyiniz.

Uyarılar. Sadece ev kullanımı için. Sadece dışarda kullanım için. Maksimum kullanıcı ağırlığı 50 kg'dır. 3 yaşının altındaki çocuklar için uygun değildir. Üç ila on yaş arası çocuklara yöneliktir.

Bu ürün, tek bir ailenin evinde/bahçesinde kullanımı için üretilmiştir. Ürün, kamu kullanımı veya halka açık yerlerde kullanım için uygun değildir.

Montaja başlamadan önce, montaj talimatlarını dikkatlice okuyunuz. Bu talimatları ileride de faydalanabilmek amacıyla saklayınız.

## GÜVENLİK TALİMATLARI

### Kereste

- Ağacı çürütmekten korumak için tüm kesilmiş yüzeylere, uçlara ve basınç gören bölgelere vernik sürülmelidir.
- Yer ile temas edecek parçaları seçerken ekstra özen gösteriniz.
- Tırmanma ipi, tezgah ve ip merdivenin deliklerine de vernik sürülmelidir.

### Güvenli oyun alanı

- Oyun setinin yanlarından 200 cm'lik mesafede olan alan güvenli oyun alanıdır. Sallanan bir parçanın önü ve arkasındaki güvenli oyun alanı da 200 cm'lik mesafedir.
- Güvenli oyun alanı; farklı yapılar, çit, garaj, ev, ağaç dalları, çamaşır ipleri, elektrik telleri, vb. oyun alanının güvenliğini bozacak engellerden uzaktaki bir yerde durmalıdır.
- Oyun setini yürüyüş ve geçiş yollarının üzerine koymayınız.
- Oyun setinin bulunduğu yüzey düz olmalıdır. Eğimli bir yere koyarsanız bükülebilir veya zarar görebilir.
- Bu bükülme tüm bağlantı noktalarına ekstra yük binmesine neden olur ve zaman içinde bağlantılar zayıflayabilir veya kopabilir.
- Oyun setini, beton, çakıl, sert toprak, asfalt, vb. sert yüzeylerin üzerine koymayınız. Sert bir yüzeye düşüş ciddi yaralanmalara sebep olabilir. Aşağıdaki liste uygun yüzey örneklerini içerir:

### Önerilen Yüzey Malzemesi

Muntazam Ağaç Çubuklar  
İnce Çakıl  
İnce Kum  
Çimen

### Basıncsız Derinlik

50 cm  
50 cm  
50 cm

- Yer kaplamasını güvenli oyun alanı içine yerleştirin. Yüzey kaplamasını kapsayan kenarlar güvenli oyun alanının ötesinde olmalıdır. (Çevre keresteleri veya diğer kenarlar)

### Güvenli kurulum

- Çocuklar; ancak güvenli oyun alanı tüm engellerden temizlendikten, oyun seti tamamen kurulduktan, tüm parçalar tamamen yerine yerleştirildikten ve kontrol edildikten, oyun alanına ait olmayan tüm araç-gereçler kaldırıldıktan sonra oyun alanına yaklaşmalıdır.
- Bu oyun setini kurarken; parçaları kaldırmak ve tutmak, çerçeve ve diğer ağır parçaları monte etmek, malzemeleri vidalama aşamasında hazır pozisyonda tutmak için en az iki yetişkin gereklidir.
- Tüm parçaları kontrol ediniz ve sistematik olarak erişebileceğiniz yerlerde gruplayınız. Bu parçaları parça listesi ile karşılaştırınız.
- Kesme, vidalama, vernikleme, montaj işlemlerini yaparken, özellikle de basınçlı kereste ile çalışırken uygun giysiler giyiniz ve güvenlik ekipmanları kullanınız. (Ör: Güvenlik gözlüğü, toz maskesi, eldiven, vb.)
- Araç-gereçleri kullanım klavuzlarına uygun kullanınız.
- Oyun seti tamamen monte edilmeden platformun üzerinde durmayınız; yeterince yüksekçe erişemezseniz bir merdiven kullanınız.
- Oyun setinin dönmesi veya düşmesinin önlenmesi için setin sağlamca monte edilmiş olması gereklidir. Eğer yer zemini oyun setini tutan direklerin yerinden kolayca çıkmasına izin veriyorsa çimento dökmek gereklidir. Direkleri yere tutturduğunuz noktaların zemin ile aynı yüzeyde olmasını sağlayınız, aksi takdirde çocuklar bu çıkıntılara takılabilir.
- Montajdan sonra tüm uçları çıkıntıları metal kesici ile düzeltin. Olası sivri uçları metal törpüsü ile düzeltiniz.
- Kıymıklar yok etmek için tahtayı zımpara kağıdı ile zımparalayın. Ayrıca tüm köşeleri zımpara kağıdı veya metal törpüsü (3 mm yarıçaplı) ile düzeltiniz.
- Oyun setine ip, zincir, sicim, tel, kablo, vb. ekstra malzemeler eklemeyiniz.
- Başka üreticilerin ürünlerini Jungle Gym® ürünleri ile birleştirmeyiniz; bu güvenliği azaltabilir.
- Jungle Gym® salıncak askıları ile sadece Rope Locks™ iplerini kullanın. Rope locks™ iplerini yük taşıma veya tırmanma gibi farklı aktiviteler için kullanmayınız.
- Salıncak Askısı LS tahtaya tamamen ve sıkıca vidalanmalıdır. Salıncak Askısı'nın uygun noktada hizalanması önemlidir. Sıkıca monte edilmiş veya doğru hizalanmamış salıncak askısı kırılabilir veya yerinden çıkabilir ve yaralanmalara sebep olabilir.
- Salıncak parçaları (Ör: salıncığın oturmağı) ile yer arasında en az 35 cm mesafe olmalıdır.
- Herhangi bir parça ile çerçeve arasında en az 30 cm mesafe olmalıdır.
- Salıncak parçaları arasındaki mesafe ise en az 45 cm olmalıdır.
- Bir tırmanma ipi veya ip merdiven her zaman altta veya üstte bağlanmalı olmalıdır; serbest kalan bir ip çocukların vücutlarına dolanabilir ve çok tehlikeli olabilir.

## KONTROL VE BAKIM

Oyun seti kullanıcılarının güvenliğini garanti altına almak için; setin kullanıldığı süre boyunca her mevsim başlangıcında ve her ay iki kere aşağıdaki güvenlik kontrollerinin geçilmesi gereklidir. Bakım kontrollerinin düzenli olarak gerçekleştirilmemesi halinde aktivite oyuncağı devrilebilir veya tehlikeli hale gelebilir.

### Tahta malzemeler

- Kıymık ve olası yapısal bozuklukları kontrol ediniz.
- Ağacın çürümesini önlemek için oyun setine periyodik olarak vernik uygulayarak bakım yapınız. Kaygan bir zemin yaratacak boyalar kullanmayınız.

### Donanım

- Bütün donanımın bağlantılarının sıkılığını kontrol ediniz. Dikkat: Parçaların fazla sıkı olması ağacın dokusunu çatlatarak tabakaların ayrılmasına sebep olur.
- Geri kalan donanımı kontrol ediniz. Direk ve salıncak askısı paslanabilir, bunlar da oyun setinin sağlığını etkileyebilir. Gerekliğinde değiştiriniz.
- Zemin bağlantılarının sağlam olduklarından emin olunuz. Gerekirse bağlantıların yerini veya malzemelerini değiştiriniz.

### Diğer parçalar (varsaa)

- Rope Locks™ iplerinin Jungle Gym® salıncak askıları ile bağlantılarını kontrol ediniz. Rope Locks HC ipini kontrol etmek için, her salıncak ipinde birkaç saniye boyunca tüm vücut ağırlığınızı vererek sallanınız. Gerekliğinde değiştiriniz. Herhangi bir gıcırtı duyarsanız, Rope Locks HC, su veya zeytinyağı gibi bir bitkisel yağ ile nemlendirilebilir.
- Salıncak oturmağı ve çubuklarının sağlığını, salıncak iplerinin yıpranmış olup olmadığını ve yapı bozuklukları olup olmadığını kontrol ediniz. İpin durumunu anlayabilmek için, yıpranma olan yerden ipin bağlantısını açınız ve bağlantıların kopup kopmadığını tespit ediniz. Bebek salıncığı için emniyet kemeri kontrol ediniz. Gerekliyse değiştiriniz.
- Kaydırma platformu bağlantı noktasında çatlak olup olmadığını kontrol ediniz. Örneğin bu noktalara kapak kılıflarından ipler sıkışabilir, bu da iplerin vücuda dolmasına sebep olabilir.
- Tüm parçaları ılık su veya yumuşak deterjan ile temizlenmesi gerekir. Çok kirli kaydıraklar basınçlı bir temizleyici ile temizlenebilir. (Kaydırak yüzeyine veya kerestelere zarar vermeye dikkat ediniz.)

### Yüzey ve çevre

- Darbe alan yüzeyin fazla sıkışması dikkat ediniz, gerekliyse gevşetiniz. Varsa delikleri doldurunuz (Ör: Salıncak oturmağının altındaki delikler)
- Oyun setinin dengesini ve sağlığını kontrol ediniz.
- Oyun setinin çevresini, yakındaki ağaç dalları, çamaşır ipleri, gevşek malzemeler gibi tehlike oluşturabilecek durumlar açısından kontrol edin.

### Çevre koruma

Oyun setinin tahta bölümleri imha edilmeden asla yakılmamalıdır. Metal bölümleri de risk oluşturmayacak şekilde imha ediniz. Basınç uygulanmış, verniklenmiş veya boyanmış keresteyi yakmanız çevre kirliliği dolayısıyla yasaktır. Bu parçaları yerel imha birimimize götürünüz.

## GÜVENLİ OYUN

### Dikkat:

- Her yaştaki çocuk için her zaman yetişkin gözetimi sağlanmalıdır. Çocuklara güvenli oynamayı öğretiniz.
- Çocukları uygun giydirmeniz. Aksesuarlar, ipleri olan giysiler, çok bol kıyafetler ve boyun çevresinde ip olması vücuda dolma riski olduğu için bu tip giysileri kullanmaktan kaçınınız. Ayrıca vidalama aşamasından önce bisiklet kasklarının çıkarılması gereklidir.
- Oluşabilecek her türlü tehlikeden kaçınmak için sağduyunuza kulak veriniz.
- Jungle Gym® ürünleri, farklı şekilde belirtilmedikçe 3-10 yaş aralığında çocukların kullanımı için tasarlanmıştır.

### Güvenli oyun (III.01)

- Yağmurlu havalarda (veya zeminleri ıslatabilecek çığ, buzlanma, kar, vb hava koşullarında) kaygan zeminler oluşabileceği için oyun seti kullanılmamalıdır; bu havalarda en yumuşak zemin bile çok sert bir zemine dönüşebilir. Hava sıcaklığı 0° C (32° F) nin altına düştüğünde oyun setinin çıkabilir parçaları içeriye alınmalıdır.
- Oyun seti veya parçalarının belirtilen şeklin dışında kullanılması hasara veya yaralanmaya yol açabilir. Salıncaklar, zincirleri veya diğer parçaları döndürmeyiniz, birbiri etrafına sarmayınız. Döndürmek parçaların gücünü azaltmak suretiyle tuzak etkisi yapabilir.
- Dikkat: Çocukların yapmaması gerekenler:
  - Hareket halindeki salıncaktan atlama
  - Boş salıncak oturmağı sallama
  - Salıncığı herhangi bir açıyla sallama
  - Oyun setinin herhangi bir yerinde baş aşağı sallanma
  - Hareket halindeki bir ekipmanın üstündeki başka bir çocuğa müdahale etmek veya durdurma
  - Hareket halindeki ekipmanların yakınında, önünde, arkasında veya arasında dolama
- Dikkat: Çocukların tüm ağırlıklarını salıncak oturaklarının orta noktasına vererek oturması gereklidir. Her oturmağı bir çocuk oturmalıdır. "Standart bir kule oyun seti"nde; en fazla 50'şer kilodan maksimum 3 çocuk oynayabilir. "Salıncaklı standart bir kule oyun seti"nde; en fazla 50'şer kilodan 5 çocuk oynayabilir.
- Oyun setinin çerçevesine tırmanılmasına veya çerçevesinde sallanılmasına izin verilmemelidir. Buradan düşülme ciddi yaralanmalara olabilir.
- Oyun alanı tüm engellerden ve tehlikeli olabilecek yapılardan temizlenmiş olmalıdır.
- Platform üzerindeki her açık alan kaza riskini artırır. Bu risk; tutacaklar, güvenlik çubukları veya çitler gibi ilevelerin yapılmasıyla ciddi miktarda azaltılabilir.
- Çocukların oturur pozisyonun dışında kaydırdan kaymalarına izin vermemeniz. Kaydırak üzerine güneş ışığı aldıklarında ısınabilirler. Çocukların oynamalarına izin vermeden önce oyun setinin fazla ısınmadığından emin olunuz. Gerekirse oyun seti su ile soğutulabilir, bu durumda kullanımdan önce kurulanmalıdır. Çocukların keyfini arttırmak için kaydırak üstüne su dökmeyiniz. Bu durumda çocuklar çok hızlı kayarlar, bu da yaralanmalara sebep olabilir.

### Gerekten araçlar (III. 2)

1. Mezura, 2. Kurşun kalem, 3. Testere, 4. Ağaç ve Matel Törpüsü, 5. Elektrikli matkap, 6. Çekiç, 7. Su terazisi

### Standart vida bağlantıları (III. 3)

- Vidalanacak noktalara matkapla 10 mm'lik delikler açın.
- Vida somununu çekiçe deliğe vurunuz. Çıkıntı yapan vida somunlarının tahtanın içinde olması gereklidir.
- Rondelayı önce vidanın ortasına, sonra vida kapağının altına yerleştiriniz. Önce vidayı elle sıkın, sonra rondelayı yay etkisi ronzela ile vidanın üst kısmını tamamen sıkıştırmak için matkabın 13 mm'lik ucunu kullanınız. Vidanın üst kısmını koruyucu ile kapatınız.
- Eğer vida çok kısaysa, matkapla açacağınız deliği 15 mm veya daha derin olacak şekilde açmanız, deliğin tahtanın en kalın noktasında olmasını ve 22 mm'lik matkap ucu kullanmanızı tavsiye ederiz; böylece montajdan sonra vida tahtanın içine gömülür. Bu durumda vidanın üstüne koruyucu koymaya gerek yoktur, ancak bu deliği vernikleme gereklidir.
- Eğer vida çok uzunsa, bir metal kesici ile uzun kısmını kesmek gereklidir. Herhangi bir keskin uç olursa törpü kullanınız.

### Kılavuz delikler (III. 4a + 4b)

Tahtanın ayrılmasını önlemek için tüm vidalar için kılavuz delikler oluşturulması önerilir. Bu kılavuz deliklerin uzunluğu vidalardan 10 mm daha kısa olmalıdır.

### Tahta vidaları (III. 4a)

- Tahta vidaları için 3 mm'lik kılavuz delikler açınız.
- Vidaların üstlerinin tahta yüzeyi ile aynı seviyede olması ve çıkıntı yapan keskin uçların olmaması çok önemlidir.

### XL Stealth™ izolasyon vidaları (III. 4b)

- XL Stealth™ izolasyon vidaları için matkapla öncelikle iki taraftan tutturulacak 05 mm'lik bir delik açınız.
- Rondelayı ve civata başını vidanın ortasının üstüne yerleştiriniz. Vidayı deliğe yerleştiriniz ve sıkıştırmak için matkabın T 40'lik ucunu kullanınız. Vidanın üstünü koruyucu başlık ile kapatınız.

Dikkat: Civata ve vidaları çok fazla sıkımayınız!

Ağaç kullanılırken parçanın sertliğine göre pilot delikleri daha geniş bir çapta açmak gerekebilir.

040\_805\_GSI\_tr\_0300\_20120911\_n1A

## MANUFACTURERS LIMITED WARRANTY

Subject to normal use this product is guaranteed by Jungle Gym®, to the original purchaser for a period of 2 years from date of purchase, on the following conditions:

- That those defects are attributable to flaws or defects in materials or manufacturing defect.
- That the directions of both part 1 and 2 of our instruction manual have been thoroughly observed and followed.
- That the products only have been used for the construction of play sets for single-family residential purposes.

**This limited warranty does not cover:**

- The labour or cost of labour for replacement of the defective item.
- The cost of freight for replacement part after the initial 30 day period.
- Any incidental or consequential damages.
- Items damaged due to vandalism, neglect, improper usage, improper installation, normal wastage, extreme weather conditions or other abnormal conditions.
- Cosmetic defects that do not affect the structural integrity of the unit.
- Cases of fading of colours or minor deviations that cannot be technically anticipated or prevented are generally accepted in trade.
- Any modifications added to components and accessories.

**Warranty procedure**

Within a 30-day period Jungle Gym will replace defective merchandise free of charge, provided that the defective part be returned for inspection, freight collect. Jungle Gym will return the part freight prepaid. After the 30-day period, return the defective part freight prepaid and Jungle Gym will ship it back to you freight collect. The place of purchase must be contacted for authorization to return the defective part. No merchandise will be accepted without prior written approval from Jungle Gym. All returns must be accompanied by a dated proof of purchase. In cases when a defective part is returned to Jungle Gym, please ensure that the part is protected against transport damage.

**Customer responsibilities**

- It is the customer's responsibility to perform regular inspections and maintenance to ensure that the product is not prematurely ageing. These inspections and maintenance are mentioned in this manual.
- The customer has to take all precautions to safeguard the safety of the children.

Jungle Gym disclaims all other representations and warranties of any kind, expressed or implied, in fact or in law, including, without limitation, the implied warranty of merchantability and the implied warranty of fitness for a particular purpose.

The statement above does not affect a consumer's statutory rights. Because some jurisdictions in some countries do not permit the exclusion or limitations set forth above, they may not apply in all cases. Jungle Gym® reserves the right to make changes in materials and design without prior notice.

040\_805\_LMW\_en\_0100\_20071018\_nA

## FABRIEKSGARANTIE

Jungle Gym® garandeert de door haar geleverde componenten voor fabrieksfouten gedurende een periode van 2 jaar na aankoopdatum. Dit geldt alleen voor de eerste eigenaar, onder de volgende voorwaarden:

- De defecten worden veroorzaakt door materiaal- of fabrieksfouten.
- De aanwijzingen in deel 1 en 2 van de handleiding zijn nauwgezet opgevolgd.
- De componenten zijn slechts gebruikt voor het bouwen van een speeltoestel voor particulier gebruik.

**Deze garantiebepaling sluit aanspraak in de volgende gevallen uit:**

- Loonkosten ontstaan door vervanging van een defect onderdeel.
- Gevolgschade door gebruikmaking van het toestel.
- Schade als gevolg van vandalisme, oneigenlijk gebruik, verkeerde montage of installatie, slijtage door nalatig onderhoud of slijtage dat als normaal kan worden beschouwd, extreme weersomstandigheden en andere abnormale omstandigheden.
- Verkeuren of afwijkingen van ondergeschikte aard die technisch niet te voorkomen zijn en volgens het handelsgebruik algemeen worden aanvaard.
- Indien er veranderingen gedaan zijn aan onderdelen of accessoires.

**Aanspraak maken op garantie:**

Binnen de periode van 30 dagen zal Jungle Gym het defecte onderdeel kosteloos vervangen, mits het kapotte onderdeel terug wordt gezonden voor inspectie. Na de periode van 30 dagen is de klant verantwoordelijk voor evt. portokosten.

Neem vóór het terugsturen van een onderdeel altijd contact op met het verkooppunt voor toestemming. Zonder schriftelijke toestemming met autorisatienummer van Jungle Gym aan het verkooppunt wordt het teruggestuurde onderdeel niet geaccepteerd. Zonder aankoopbewijs wordt het teruggestuurde onderdeel niet geaccepteerd. Als u het te vervangen artikel verzendt, moet het van een verpakking zijn voorzien waarbij transportschade niet mogelijk is.

**Verantwoordelijkheden van de eigenaar**

- De eigenaar van het toestel dient zelf periodieke controles uit te voeren en onderhoud te plegen om voortijdige slijtage te voorkomen. De inspectie en onderhoud van het toestel wordt beschreven in deze handleiding.
- De eigenaar moet alle mogelijke voorzorgsmaatregelen nemen om de veiligheid van de kinderen te waarborgen.

Deze garantiebepalingen doen geen afbreuk aan de wettelijke rechten van de klant volgens de geldende nationale wetgeving.

Jungle Gym® behoudt zich het recht voor om wijzigingen in ontwerp, handleiding of uitvoering aan te brengen zonder dit vooraf kenbaar te maken.

040\_805\_LMW\_nl\_0100\_20071018\_nA

## EINGESCHRÄNKTE GARANTIE DES HERSTELLERS

Bei sachgemäßer Behandlung hat der Käufer auf dieses Produkt von Jungle Gym® eine Garantie von 2 Jahre ab dem Zeitpunkt des Kaufes. Die Voraussetzungen für die Garantie sind:

- Dass die Defekte auf Materialfehler oder Herstellungsfehler zurückgehen
- Dass alle in Teil 1 und Teil 2 der Anleitung aufgeführten Vorschriften beachtet und befolgt wurden.
- Dass die Produkte für den Bau von Spiel-Sets verwendet wurden, die von einem einzigen Ein-Familien-Haushalt genutzt werden

**Diese eingeschränkte Garantie beinhaltet nicht:**

- die Arbeitszeit für das Ersetzen von defekten Teilen
- den Schadensersatz bei Schäden, die durch Defekte hervorgerufen wurden
- den Ersatz von Teilen, die durch Vandalismus, Missachtung, unsachgemäße Behandlung, unkorrekten Aufbau, normale Abnutzung oder Abnutzung durch nachlässige Pflege, extreme Wetterbedingungen oder sonstige abnormale Bedingungen beschädigt worden sind.
- Verfärbungen oder sonstige unwesentliche Abweichungen die technisch nicht zu verhindern sind und im allgemeinen Handelsgebrauch anfallen können.
- Den Ersatz von defekten Teilen, wenn Elemente oder Zubehör verändert wurden.

**Vorgehensweise bei Anspruch auf Garantie**

Innerhalb einer Frist von 30 Tagen ersetzt Jungle Gym® kostenlos defekte Ware. Voraussetzung ist das Einschicken der defekten Ware. Die Gebühr zahlt der Empfänger Jungle Gym®. Jungle Gym® übernimmt ebenfalls die Frachtkosten für das Zusenden der Ersatzware. Nach der 30-Tage-Frist übernehmen Sie als Kunde die gesamten Frachtkosten. Senden Sie die defekte Ware an Jungle Gym®. Jungle Gym® sendet Ihnen die Ersatzware zu, die Frachtkosten gehen zu Lasten des Kunden. Die Verkaufsstelle muss vor dem Einsenden der defekten Ware kontaktiert werden und ihr Einverständnis für das Einsenden des defekten Teiles geben. Ohne die schriftliche Zustimmung und die Zuteilung einer Berechtigungsnummer von Jungle Gym® an die Verkaufsstelle wird keine Ware von Jungle Gym® angenommen. Alle Reklamationen müssen von einer datierten Quittung begleitet werden. Wenn Sie den reklamierten Artikel versenden, muß die Verpackung so gewählt werden, dass Transportschäden Ausgeschlossen sind.

**Kundenverantwortung**

- Es obliegt der Verantwortung des Benutzers, die Geräte zu pflegen und regelmäßige Inspektionen durchzuführen, um zu gewährleisten, dass das Produkt nicht frühzeitig altert. Die Richtlinien für die Pflege und die Inspektionen werden in dieser Anleitung erläutert.
- Der Benutzer ist dazu angehalten, alle Vorkehrungen zu treffen, um die Sicherheit der Kinder zu gewährleisten.

Diese Aussage beeinträchtigt nicht die statutarischen Rechte des Kunden. In Ländern, in denen die Rechtsprechung Ausnahmen und Begrenzungen, wie sie oben erwähnt werden, nicht zulässt, sind diese wirkungslos. Jungle Gym® behält sich vor, ohne vorherige Ankündigung Änderungen hinsichtlich des Materials und des Designs vorzunehmen.

040\_805\_LMW\_de\_0100\_20071018\_nA

## ОГРАНИЧЕНА ГАРАНЦИЯ НА ПРОИЗВОДИТЕЛИТЕ

Jungle Gym® дава гаранция за продукта на първоначалния купувач за срок от 2 години, считано от датата на закупуването, при следните условия:

- дефекти на изделието, предизвикани от некачествени материали или производствени дефекти.
- при стриктно спазване на указанията, намиращи се в част 1 и 2 на това ръководство.
- продуктите се използват само за изграждане на игрово съоръжение за еднофамилна къща.

**Тази ограничена гаранция не покрива:**

- труд или стойността на труда за замяна на дефектните възли.
- никакви странични или косвени загуби.
- увреждания на възлите, настъпили в резултат на вандализъм, небрежност, неправилна употреба, неправилно сглобяване, нормално износване, екстремални атмосферни условия и ненормални условия. никакви допълнителни подобрения на компоненти и уреди

**Прилагане на гаранцията**

В рамките на 30 дни дефектната стока се заменя от Jungle Gym® безплатно при условие, че купувачът върне дефектната част за проверка, като стойността на превоза му се осребрява. Jungle Gym® връща предварително заплатената стойността за превоз. След 30 дни купувачът връща дефектната част, като заплати превоза, и Jungle Gym® я изпраща обратно като осребрява на купувача транспортните разходи. При връщане на дефектната част е необходимо купувача да се свърже с търговската точка за получаване на разрешение. Никаква стока не се приема преди Jungle Gym да издаде писмено съгласие със съответния номер на търговския пункт, където е направена първоначалната покупка. При връщането частта трябва да бъде съпроводена от документ, удостоверяващ датата на покупка.

**Задължения на потребителя**

- Потребителят е задължен редовно да извършва проверки и поддръжка на изделието, за да осигури нормален срок на експлоатация на изделието. Начина за проверките и поддръжката са посочени в настоящото ръководство.
- Потребителят трябва да вземе всички предпазни мерки за осигуряване на безопасността на децата.

Горното положение не оказва влияние върху законните права на потребителя. Гореуказаните изключения или ограничения не могат да се прилагат във всички случаи по причина, че те са в разрез с законодателствата на някои държави.

Jungle Gym® си запазва правото да променя материалите и конструкцията без предварително уведомяване.

040\_805\_LMW\_bg\_0100\_20071018\_nA

## GARANTIE DE FABRICATION

Jungle Gym® vous assure une garantie de 2 années après l'achat sur les défauts dû à une erreur de fabrication. Celle-ci est valable pour le premier propriétaire, sous les conditions suivantes:

- Les défauts sont à l'origine d'une erreur de fabrication.
- Les indications dans le manuel doivent être scrupuleusement suivies.
- Les pièces détachées doivent être utilisés uniquement pour le montage d'un jeu d'enfants à l'usage privé.

**La garantie ne couvre pas:**

- Les charges salariales pour le remplacement d'une pièce cassée.
- Des dégâts la suite de l'usage du portique.
- Des dégâts suite à des actes de vandalisme, négligence, usage non précédemment décrit, montage ou installation ne suivant pas les recommandations prescrites, usure suite à une négligence dans l'entretien, ou une usure qui peut être considérée comme normale, intempéries extrêmes et autres circonstances anormales.
- Décolorations ou anomalies de type secondaires qui ne peuvent être prévus techniquement et qui commercialement sont acceptées en général
- Tout changement de pièces ou d'accessoires.

**Demande de SAV**

Jungle Gym remplacera la pièce cassée sans frais dans les 30 jours suivant l'achat, à condition que la pièce cassée soit renvoyée (contre remboursement) pour inspection. Après la période de 30 jours, le client est responsable pour les frais de port éventuels.

Avant de renvoyer la pièce, prenez toujours contact avec votre point de vente pour obtenir leur accord avant expédition.

Sans leur accord écrit avec un numéro d'autorisation de Jungle Gym donné au point de vente, la pièce renvoyée ne sera pas acceptée. Lorsque vous renvoyez l'article, il doit être emballé de manière à ce que aucun dégat ne soit possible durant le transport.

**Responsabilités du propriétaire**

- C'est à la responsabilité du propriétaire du jeu d'enfants de contrôler régulièrement et d'entretenir le portique afin d'éviter une usure précoce. Ces inspections et entretien sont décrits précédemment dans ce manuel.
- Le propriétaire doit prendre chaque précaution afin d'assurer la sécurité des enfants.

La description ci-dessus n'affecte en rien les droits principaux du consommateur. En effet selon les pays, la législation ne permet pas d'imposer certaines restrictions, dans ce cas présent elles ne seront pas applicables.

Les produits de Jungle Gym seront fournis sous réserve des changements techniques et des changements de modèles.

040\_805\_LMW\_fr\_0100\_20071018\_nA

## ZARUCNI PODNIMKY

Pri normalnim pouzivanju ma kupujuci na produkt Jungle Gym® zaruku 2 roky od data prodaje. Predpoklady pro uplatneni zaruky jsou:

- ze dily s materialovou nebo vyrobní vadou budou predloženy
- ze bylo splněny vsechny pokyny dilu 1 a 2 navodu
- ze výrobek byl pouzivan pouze v jedne domacnosti

**Tato zaruka se nevztahuje na:**

- na praci s vymenou vadneho dilu
- na nahradu skody, ktera vznikla defektem
- na dily poskozene vandalismem, nespravnym uzivanim, nespravnou instalaci, normalnim opotrebenim, extremnimi klimatickymi podminkami a jinymi abnormálními podminkami.
- na vymenu dilu, jestlize bylo zmeneno prislusenství

**Postup pri uplatneni reklamace**

Ve lhute do 30 dnu vymeni Jungle Gym® bezplatne defektni dily. Predpokladem je zaslat defektni dily. Poplatky plati prijemce. Jungle Gym® prebira naklady na prepravu pro zaslaní nahradního zboží. Po 30 dnech lhute prevezmete jako zakaznik naklady na dopravu. poslete defektni zboží Jungle Gym®u. Junglr Gym vam posle nahradni dil, naklady na dopravu jdou na vrub zakaznika. Prodejni misto musi byt odeslatel defektniho zboží kontaktovano a musi byt dan souhlas k odeslati defektniho dilu. Bez pisemneho souhlasu prodejního mista a jim prideleného cisla nebude zadny dil Jungle Gym®em prijat. Vsechny reklamace musi doprovazet datovany uceť.

**Odповедnost zakaznika**

- Je zakaznikova zodpovednost provadet udrzbu a pravidelne prohlidky, aby se ujistil, ze vyrobek predcasne nestarne. Pokyny pro udrzbu a kontroly jsou uvedeny v tomto navodu.
- Uzivateli je povinen provadet vsechna opatreni, aby bylo dosazeno bezpecnosti deti.

Tento navod nezkraduje statutarni prava zakaznika. V zemich, ve kterych ma pravni vyklad vyjimky a omezeni jaku jsou vyse popsany, tyto neprijousti a jsou neucinne.

Jungle Gym® si vyhrazuje pravo zavadet materialove a designove zmeny.

040\_805\_LMW\_cs\_0100\_20071018\_nA



## PRODUCENTENS BEGRÆNSEDE GARANTI

Under forudsætning af, at legepladsen er anvendt på normal vis, yder Jungle Gym® den oprindelige køber 2 år garanti fra kobstidspunktet på delene i Jungle Gym® samlesættet og ud fra følgende betingelser:

- Defekterne skyldes fejl eller mangler i materialer eller udførelse.
- Anvisningerne i både del 1 og 2 af denne byggevejledning er fulgt nøje.
- Produkterne er udelukkende anvendt til konstruktion af legepladser til privat brug.

### Den begrænsede garanti dækker ikke:

- Arbejde eller arbejdsomkostninger i forbindelse med udskiftningen af den defekte del.
- Tilfældige skader eller følgeskader.
- Dele, der er blevet beskadiget som følge af hærværk, manglende pleje, forkert brug, forkert montering, normalt slid, ekstreme vejrforhold eller andre usædvanlige omstændigheder.
- Ændringer udført på dele og tilbehør.

### Garantiprocedure

Jungle Gym® påtager sig inden for en periode på 30 dage at erstatte defekte varer uden beregning, forudsat at kunden returnerer den defekte del for nærmere undersøgelser (fragten betales af Jungle Gym®). Jungle Gym® godtgør eventuelt forudbetalte fragtkomkostninger. Hvis der er gået mere end 30 dage, skal kunden returnere den defekte del for egen regning, hvorefter Jungle Gym® returnerer den, ligeledes for kundens regning. Det påhviler kunden at kontakte den forretning, hvor legepladsen er blevet købt, for at få tilladelse til at returnere den defekte del. Jungle Gym® accepterer ingen returvarer, medmindre Jungle Gym® først har givet den forretning, hvor legepladsen er blevet købt, tilladelse hertil. Denne tilladelse skal indeholde et autorisationsnummer. Alle returvarer skal ledsages af et dateret kobsbevis.

### Kundeansvar:

- Det er kundens ansvar at efterse og vedligeholde legepladsen regelmæssigt, så den ikke ældes for tidligt. Eftersyn og vedligeholdelse beskrives nærmere i denne manual.
- Kunden skal tage alle forholdsregler for at sikre børnenes sikkerhed.

Ovennævnte erklæring påvirker ikke kundens lovmæssige rettigheder. Eftersom enkelte retskredse i visse lande ikke accepterer ovennævnte ansvarsfraskrivelse eller begrænsninger, gælder de muligvis ikke i alle situationer.

Jungle Gym® forbeholder sig ret til at ændre materiale og design uden forudgående varsel.

040\_805\_LMW\_da\_0100\_20071018\_niA

## GARANTÍA LIMITADA DE LOS FABRICANTES

Conforme a uso normal este producto está garantizado por Jungle Gym® al comprador original por un periodo de 2 años a partir de la fecha de la compra, en las condiciones siguientes:

- Que esos defectos sean atribuibles a grietas o a defectos en el material o al defecto de producción.
- Que las direcciones de la parte 1 y 2 de nuestro manual de instrucción se hayan observado y seguido a fondo.
- Que los productos se hayan utilizado solamente para los que la construcción del juego fija para los propósitos residenciales unifamiliares.

### Esta garantía limitada no cubre:

- La mano de obra o el costo de la mano de obra en caso de sustitución de piezas con defectos.
- Cualquier daño fortuito o consecuente.
- Los artículos dañados debido al vandalismo, a la negligencia, al uso incorrecto, a la instalación incorrecta, al despilfarrar normal, a las condiciones atmosféricas extremas o a otras condiciones anormales.
- Cualquier modificación agregada a los componentes y a los accesorios.

### Procedimiento de la garantía

Dentro del periodo de 30 días Jungle Gym® sustituirá la mercancía defectuosa gratuitamente, a condición de que la pieza defectuosa sea devuelta para la inspección, enviado por flete a cobrar. Jungle Gym® volverá a la pieza con flete pagado por adelantado. Después del período de 30 días, devuelva la pieza defectuosa por flete pagado en adelantado y Jungle Gym® la enviará de nuevo a usted con flete a cobrar. En el lugar de la compra se debe entrar en contacto para pedir la autorización para que vuelvan la pieza defectuosa. No se aceptará ninguna mercancía sin la aprobación escrita anterior de la tienda de compra original, cual contendrá un número de la autorización. Todas las devoluciones se deben acompañar por una prueba de la fecha de la compra.

### Responsabilidades del cliente

- Es la responsabilidad del cliente realizar inspecciones y mantenimiento regulares para asegurarse de que el producto no está envejeciendo prematuramente. Estas inspecciones y el mantenimiento se mencionan en este manual.
- El cliente debe tener toda la precaución de garantizar la seguridad de los niños. La declaración arriba no afecta los derechos estatutarios de un consumidor.

Debido a algunas jurisdicciones en algunos países no permiten la exclusión o las limitaciones dispuestas arriba, no pueden aplicarse en todos los casos.

Jungle Gym® se reserva el derecho de realizar cambios en materiales y de diseños sin previo aviso.

040\_805\_LMW\_es\_0100\_20101018\_niA

## ΠΕΡΙΟΡΙΣΜΕΝΗ ΕΓΓΥΗΣΗ ΤΗΣ ΚΑΤΑΣΚΕΥΑΣΤΡΙΑΣ ΕΤΑΙΡΙΑΣ

Το παρόν προϊόν καλύπτεται από την εγγύηση της κατασκευαστικής εταιρίας Jungle Gym®, εφόσον γίνεται κανονική χρήση αυτού, για μια περίοδο 2 ρ ή από την ημερομηνία αγοράς υπό τις ακόλουθες προϋποθέσεις:

- Η οποιαδήποτε βλάβη οφείλεται σε ελάττωμα των υλικών ή κακή κατασκευή.
- Οι οδηγίες των μερών 1 και 2 αυτού του εγχειριδίου έχουν ακολουθηθεί πιστά.
- Ότι τα προϊόντα έχουν χρησιμοποιηθεί μόνο για την κατασκευή της παιδικής χαράς στο χώρο του σπιτιού.

### Η παρούσα περιορισμένη εγγύηση δεν καλύπτει:

- Τις εργασίες ή τα εργατικά σε περίπτωση αντικατάστασης του ελαττωματικού εξαρτήματος.
- Οποιαδήποτε τυχαία ζημιά.
- Καταστροφές σε εξαρτήματα εξαιτίας βανδαλισμού, αμέλειας, ακατάλληλης χρήσης, κακής εγκατάστασης, φυσικής φθοράς, ακραία καιρικά φαινόμενα ή άλλες μη φυσιολογικές συνθήκες.
- Οποιοδήποτε μετατροπές στα εξαρτήματα ή τα αξεσουάρ.

### Διαδικασία εκμετάλλευσης της εγγύησης

Μέσα σε 30 ημέρες, η εταιρία Jungle Gym® θα αντικαταστήσει το ελαττωματικό προϊόν χωρίς χρέωση, με την προϋπόθεση ότι το ελαττωματικό μέρος θα επιστραφεί για έλεγχο με τα έξοδα αποστολής πληρωτέα από τον παραλήπτη. Η εταιρία Jungle Gym® θα επιστρέψει το επιδιορθωμένο μέρος με δική της χρέωση. Μετά από την έλευση 30 ημερών, η αποστολή του ελαττωματικού μέρους θα γίνεται με χρέωση του αποστολέα, τον οποίο βαρύνουν και τα έξοδα επιστροφής. Θα πρέπει επίσης να γίνει επαφή με το κατάστημα που έγινε η αγορά ώστε να δοθεί εξουσιοδότηση επιστροφής του ελαττωματικού μέρους. Κανένα προϊόν δεν θα γίνεται δεκτό χωρίς να δοθεί προηγουμένη έγκριση από την εταιρία Jungle Gym® στο κατάστημα που πραγματοποιήθηκε η αγορά του προϊόντος, το οποίο και φέρει αριθμό εξουσιοδότησης. Όλες οι επιστροφές θα πρέπει να συνοδεύονται από απόδειξη ημερομηνίας αγοράς.

### Υποχρέωση του πελάτη

- Είναι υποχρέωση του πελάτη να ελέγξει και να συντηρεί τακτικά το προϊόν προκειμένου να διασφαλίσει την αποφυγή πρώιμης φθοράς. Ο ενδεδειγμένος τρόπος ελέγχου και συντήρησης περιγράφεται σε αυτό το εγχειρίδιο.
- Ο πελάτης οφείλει να λάβει όλες τις απαραίτητες προφυλάξεις που αφορούν στην ασφάλεια των παιδιών.

Η παραπάνω δήλωση δεν καθιστά τα νόμιμα δικαιώματα του πελάτη επισφαλής. Επειδή οι νόμοι κάποιων χωρών δεν επιτρέπουν τις απαγορεύσεις ή τους περιορισμούς που περιγράφονται εδώ, υπάρχει περίπτωση αυτοί να μην ισχύουν σε όλες τις περιπτώσεις.

Η εταιρία Jungle Gym® διατηρεί το δικαίωμα να προβεί σε αλλαγές στα υλικά ή στον σχεδιασμό του προϊόντος χωρίς προηγούμενη ειδοποίηση.

040\_805\_LMW\_el\_0100\_20101018\_niA

## VALMISTAJAN MYÖNTÄMÄ RAJOITETTU TAKUU

Normaalissa käytössä tätä tuotetta koskee Jungle Gym®:in myöntämä takuu tuotteen lainkäyttöön, epäsäännöllisen käytön ja rajoitettua lukien. Takuuseen sovelletaan seuraavia ehtoja:

- Puutteet johtuvat materiaalin tai valmistukseen liittyvistä virheistä.
- Käyttöohjeiden osien 1 ja 2 ohjeisiin on tutustuttu ja niitä on noudatettu perusteellisesti.
- Tuotteita on käytetty ainoastaan leikkivälineiden rakentamiseen kotikäytössä.

### Rajoitettu vastuu ei kata:

- Työvoimaa tai työvoimakustannuksia, jotka liittyvät virheellisen osan vaihtoon.
- Mitään satunnaisia tai seuraamuksellisia vahinkoja.
- Vandalismin, huolimattomuuden, epäasianmukaisen käytön ja asennuksen, luonnollisen kulumisen, äärimmäisten sääolosuhteiden tai muiden poikkeavien olosuhteiden aiheuttamia vaurioita.
- Osien tai laitteiden muutoksia.

### Takuukäsittely

Jungle Gym® vaihtaa viallisen tuotteen veloituksetta 30 päivän kuluessa edellyttäen, että viallinen osa palautetaan tarkastusta varten rahti perillä-periaatteen mukaisesti. Jungle Gym® palauttaa osan rahittavasti. 30 päivän kuluessa viallinen osa voidaan palauttaa rahittavasti ja Jungle Gym® toimittaa osan lähettäjälle rahti perillä-periaatteen mukaisesti. Ostopaikkaan täytyy ottaa yhteyttä viallisen osan palauttamiseen liittyvän hyväksynnän saamiseksi. Alkuperäinen ostopaikka ei hyväksy tuotetta ilman Jungle Gym®:in edeltävää ja hyväksyntänumeron sisältävää kirjallista suostumusta. Kaikkiin palautuksiin täytyy liittää päivitys otostote.

### Asiakkaan vastuu

- Asiakkaan vastuulla on säännöllisten tarkistusten ja huoltojen suorittaminen tuotteen ennenaikaisen vanhentumisen estämiseksi. Kyseiset tarkastukset ja huollot on esitelty käyttöohjeissa.
- Asiakkaan täytyy ryhtyä kaikkiin varotoimiin lasten turvallisuuden takaamiseksi.

Edellä esitetty ei vaikuta kulluttajan lainmukaisiin oikeuksiin. Koska joidenkin maiden lainsäädäntö ei hyväksy edellä esitettyjä poikkeuksia ja rajoituksia, niitä ei välttämättä voida soveltaa kaikissa tapauksissa.

Jungle Gym® pidättää oikeuden tehdä materiaaleja ja suunnittelua koskevia muutoksia ilman edeltävää ilmoitusta.

040\_805\_LMW\_fi\_0100\_20101018\_niA

## TOOTJAPOLNE PIIRATUD GARANTI

Jungle Gym®annab esmaostjale käesoleva toote ettenähtud viisil kasutamise korral 2 aastat pikkuse garantii toote remontimiseks järgmistel tingimustel:

- avastatud vead on põhjustatud materjalidefektidest või ebaõigest valmistamisest;
- järgitud on kasutusjuhendi 1. ja 2. osas toodud juhiseid;
- toodet on kasutatud mängukompleksi ehitamiseks üh pereeramu tarbeks.

### Piiratud garantii ei kompenseeri järgmisi kulusid:

- tööjõukulu defektse toote väljavahetamiseks;
- üksikõik milliseid juhulikke või kaudseid kahjusid;
- kahjusid, mis tekkinud vandalismi, hooletuse, ebaõige kasutamise, ebaõige paigaldamise, tavalise kulumise, ilmastikumõjude või muude mittetavapärase tingimuste tõttu;
- toote modifitseerimisele tehtud kulutusi.

### Garantiiprotseduur

Jungle Gym® vahetab defektse toote tasuta välja 30 päeva jooksul, kui toode tagastatakse kontrollimiseks koos makstud saatekuludega. Jungle Gym® tagastab toote koos saatekuludega tasumisega. Pärast 30 päeva möödumist tagastage defektne toode koos saatekuludega ning Jungle Gym® saadab selle tagasi tasuta saatekuludega. Defektse toote tagastamine tuleb ostukohast eelnevalt saada tagasisaamtist lubav kinnitus. Ühtegi toodet ei võeta vastu ilma Jungle Gym®i kirjaliku autoriseerimismumbrist sisaldava kinnitusega, mis saadetakse ostukohta. Kõigi tagastatud toodetega tuleb kaasa anda ostuküürupeavaga ostuõhkek.

### Kasutaja vastutus

- Kasutaja vastutab toote korrapärase kontrollimise ja hoolduse eest, mille eesmärgiks on ära hoida toote enneaegne vananemine. Nimetatud kontrolli ja hooldust on kirjeldatud käesolevas kasutusjuhendis.
- Kasutaja peab rakendama kõiki ettevaatusabinõusid laste ohutuse tagamiseks.

Ülaltoodud ei piira mingil viisil kasutaja seaduslikke õigusi. Kuna mõnes riigis pole ülaltoodud erandid või piirangud lubatud, siis ei pruugi need alati rakenduda.

Jungle Gym® jätab endale õiguse teha muudatusi materjalides ja konstruktsioonis eelneva hoiatusega.

040\_805\_LMW\_et\_0100\_20071018\_niA

## OGRANIČENO JAMSTVO PROIZVOĐAČA

Pod uvjetom uporabe proizvoda sukladno njegovoj namjeni Jungle Gym® kupcu daje jamstvo u trajanju od 2 godine pod sljedećim uvjetima:

- da se nedostaci odnose na pogreške ili defekte na materijalima ili na tvorničke pogreške;
- da je korisnik detaljno proučio i pratio sve upute iz točaka 1 i 2 iz korisničkih uputa.
- da su proizvodi korišteni samo za sastavljanje seta za igranje u svrhu uporabe od strane samo jedne obitelji.

### Ovo ograničeno jamstvo ne pokriva:

- radove ili troškove rada na zamjeni defektnog elementa.
- troškove otpreme u svrhu zamjene dijelova nakon isteka inicijalnog perioda od 30 dana.
- bilo kakva slučajna ili posljedična oštećenja.
- oštećenja nastala uslijed vandalizma, nemara, neprimjerene uporabe, nepropisnog postavljanja, uobičajenog habanja, ekstremnih vremenskih uvjeta ili ostalih neobičajenih uvjeta.
- estetska oštećenja koja se ne odnose na strukturni integritet jedinice.
- slučajneve biljeđenja boje ili manje nedostatak koji nisu tehnički uvjetovani ili se ne mogu sprječiti i koji se obično prihvaćaju u robnoj razmjeni.
- bilo kakve modifikacije komponenta i dodataka.

### Postupak korištenja jamstva

Jungle Gym® će u periodu od 30 dana bez naplate zamijeniti defektnu robu pod uvjetom da se defektni dio pošalje na pregled. Primatelj u tom slučaju preuzima troškove otpreme. Jungle Gym® će o vlastitom trošku vratiti robu. Nakon isteka perioda od 30 dana pošaljite defektni dio uz podmirenje troškova otpreme te će Vam Jungle Gym® vratiti robu. U tom slučaju primatelj preuzima troškove otpreme. Od prodajnog je mjesta potrebno zatražiti odobrenje za vraćanje defektnog dijela. Roba neće biti prihvaćena bez prethodnog pisanog odobrenja Jungle Gym-a. Sva vraćena roba mora imati pisani dokaz o kupnji i datumu kupnje. Ako vraćate defektni dio Jungle Gym-u, molimo Vas da ga zaštitite od oštećenja tijekom transporta.

### Odgovornost kupca

- Odgovornost je kupca da redovito pregleda i održava proizvod kako bi ga zaštitio od preranog habanja. Ti su pregledi i postupci održavanja navedeni u ovom priručniku.
- Kupac mora poduzeti sve mjere za zaštitu i sigurnost djece.

Jungle Gym ne priznaje ostale garancije i jamstva bilo koje vrste, izričito ili implicirano, činjenična ili zakonska, uključujući, bez ograničenja, implicirana jamstva za uporabljivost i izvodljivost za određenu robu.

Gornja odredba ne utječe na zakonska prava kupca. Budući da jurisdikcije određenih država ne dozvoljavaju gornja isključenja ili ograničenja, ona se eventualno ne primjenjuju u svim slučajevima. Jungle Gym® zadržava pravo na izmjene materijala i dizajna bez prethodne najave.

040\_805\_LMW\_hr\_0100\_20101018\_niA

A GYÁRTÓ KORLÁTOZOTT GARANCIÁJA

A termék rendeltetésszerű használatára esetén az eredeti vásárló felé a Jungle Gym® garanciát vállal a vásárlás keltétől számított 2 év, a következő feltételekkel:

- A felmerülő hibák az anyagban jelentkező hibáknak, illetve hiányosságoknak vagy gyártási hibáknak tulajdoníthatók.
• Kezelési utasításunk 1. és 2. sz. részének útmutatásait alaposan elolvasták és maradéktalanul betartották.
• A termékeket kizárólag családi célra szolgáló játékgarnitúrák összeállítására használták.

Ez a korlátozott garancia nem vonatkozik:

- a hibás elem pótlásához szükséges munkára vagy munkabérré,
• bármely véletlenül vagy közvetlenül okozott kárra,
• a vandalizmus, hanyagság, nem rendeltetésszerű használat, nem rendeltetésszerű telepítés, szokásos elhasználódás, rendkívüli időjárási viszonyok vagy más, abnormális feltételek következtében sérült darabokra,
• bármely, az alkatrészekben és tartozékokon eszközölt módosításra.

Garancia érvényesítési eljárás

30 napon belül a Jungle Gym® ingyenesen kicseréli a hibás árut feltéve, hogy a hibás darabot ellenőrzés céljából – a fuvarköltségeknek a Jungle Gym® általi megtérítésével - visszaküldik. A Jungle Gym® az érintett darabot - a fuvarköltség előre kifizetésével - visszajuttatja. A 30 napos garanciális idő leletét követően a hibás darabot a fuvarköltség előre kifizetésével kell visszaküldeni, és a Jungle Gym® azt az Ön fuvarköltségére fogja Önnek visszaküldeni. A hibás darab visszaküldését a vásárlás helyén kell engedélyeztetni. A Jungle Gym® előzetes írásos hozzájárulása nélkül – mely tartalmazza az engedély számát - az eredeti vásárlás helye semmilyen árut nem vesz vissza. Minden visszaküldött áruhoz csatolni kell a vásárlást igazoló, dátummal ellátott bizonylatot.

A vevő felelőssége

- A vevő feladata rendszeres ellenőrzéseket és karbantartást eszközözni annak biztosítására, hogy a termék idő előtt ne használódjon el. Ezeket az ellenőrzéseket és a karbantartást ez a kézikönyv említi.
• A vevő minden óvintézkedést tegyen meg a gyermekek biztonságának védelme érdekében.

A fenti nyilatkozat nem érinti a fogyasztó törvényes jogait. Mivel bizonyos országokban bizonyos jogintézmények nem teszik lehetővé a fent rögzített korlátozásokat, illetve kizárást, azok esetleg nem minden esetben érvényesek.

A Jungle Gym® fenntartja magának azt a jogot, hogy az anyagok és a modell tekintetében előzetes értesítés nélkül változtatásokat eszközölhessen.

040\_805\_LMW\_hu\_0100\_20101018\_huA

TAKMÖRKUD ÁBYRGÐ FRAMLEIÐANDÁ

Jungle Gym® ábyrgist þessa vöru gagnvart kaupanda í 2 ár frá söluþegi sé leiktækjó notað á eðlilegan hátt miðað við eftirtalin skilyrði:

- Að um sé að ræða galla í efni eða framleiðslugalla
• Að leiðbeiningum í hluta 1 og 2 hafi verið fylgt til hins fresta.
• Að leiktækjó hafi einungis verið notað í áfgjurt umkjalöðum eða á lokuðum svæðum.

Þessi takmarkaða ábyrgð gildir ekki um eftirfarandi:

- Vinnu við að skipta um gallaða hluti.
• Afleitt tjón af völdum gallaðra hluta.
• Skemmdir á hluta vegna óvandræða vinnubrögða, vanrækslu, rangrar notkunar, rangrar samsetningar, eðlilegs slits, slæms veðurs eða annara óeðlilegra aðstæðna.
• Breytingar á hlutum eða fylgihlutum.

Framkvæmd ábyrgðar

Innan 30 daga leggur Jungle Gym® til nýja hluti í stað þess gallaða án endurgjalds, gegn því að gölluðum hlutum sé skilað til skoðunar, fragt greiðist af framleiðanda. Jungle Gym® greiðir flutningsgjald fyrir nýja hluti. Vöskiptavinur snúi sér til söluaðila leiktækisins sem ákveður hvort gallaðir hlutir eru sendir til framleiðanda. Áður en gölluð vara er send til framleiðanda þarf að leggja fyrir skriflegt samþykki Jungle Gym® sem sendir móttökumener fyrir sendingunni. Kaupandi vörurnar framvísi sölukvittun.

Ábyrgð kaupanda

- Það er á ábyrgð kaupanda að framfylgja reglulegu eftirliti og viðhaldi á leiktækinu til að tryggja eðlilega endingu þess. Þetta kemur fram í leiðbeiningunum.
• Kaupandi ber ábyrgð á öryggi barnanna sem nota leiktækjó.

Lög og reglur í viðkomandi landi eru æðri ofangreindu.

Jungle Gym® áskilur rétt til breytinga á efni og hönnun leiktækjanna án fyrirvara.

040\_805\_LMW\_is\_0100\_20101018\_niA

GARANZIA DEL COSTRUTTORE

Jungle Gym® garantisce i componenti forniti da eventuali difetti di fabbricazione per la durata di 2 anni dalla data d'acquisto. Ciò vale esclusivamente per il primo proprietario o a condizione che:

- i difetti siano dovuti a difetti dei materiali o a difetti di fabbricazione.
• E' importante che le istruzioni riportate nel presente manuale sia nella parte 1 che nella 2 siano state seguite scrupolosamente.
• i componenti siano stati utilizzati esclusivamente per la costruzione di attrezzatura da gioco ad uso privato.

La presente garanzia esclude qualsiasi rivendicazione nei casi di:

- costi di manodopera derivanti dalla sostituzione di un elemento difettoso;
• danni indiretti derivanti dall'utilizzo dell'attrezzo;
• danni causati da atti vandalici, uso improprio, installazione o montaggio erroneo, normaleusura, condizioni climatiche estreme ed altre circostanze anomale; qualora si fossero apportate delle modifiche ad elementi o accessori;

Come ricorrere alla garanzia

In un periodo di 30 gg Jungle Gym® sostituirà il pezzo difettato gratuitamente a condizione che il pezzo venga ritornato alla casa madre per un'ispezione, trasporto a carico del destinatario. Jungle Gym® restituirà il pezzo prepagato dal trasporto. Dopo 30 giorni dal ritorno del pezzo difettoso con consegna prepagata, spedirà indietro il pezzo. Il punto vendita deve essere contattato per autorizzare il ritiro del componente difettoso. Nessun pezzo verrà ritirato senza autorizzazione scritta della Jungle Gym® al punto vendita originario dell'acquisto, il quale conterrà un numero di autorizzazione. Tutti i ritorni devono essere accompagnati da un documento datato comprovante l'acquisto.

Responsabilità del proprietario

- Il proprietario dell'attrezzo è tenuto ad effettuare i controlli periodici e la manutenzione al fine di evitare un'usura prematura. Le operazioni di controllo e di manutenzione sono descritte nella del presente manuale.
• Il proprietario deve adottare tutte le misure preventive al fine di garantire la sicurezza dei bambini.

Quanto sopra dichiarato non riguarda i diritti statuari del consumatore. In quanto alcune giurisdizioni di alcuni paesi non permettono l'esclusione o la limitazione di quanto dichiarato sopra, di conseguenza non di puo' applicare in tutti i casi

Jungle Gym® si riserva il diritto di apportare modifiche al progetto, al manuale o al modello senza darne comunicazione preventiva.

040\_805\_LMW\_it\_0100\_20101018\_niA

メーカーの限定保証

本製品は、正常に使用され、下記の条件を満たす場合、ジャングル ジムによって購入から2年未満、原購入者に対して保証されます:
• 欠陥が材料の欠陥または製造上の欠陥に起因する
• 当社の取扱説明書の1、2部分の指示が完全に守られた場合
• 製品が単一の家での目的でプレイセットの構成に適した使用がなされた場合

上記の限定保証は下記をカバーしません:

- 不良品の交換に必要とされる労力または労力のコスト
• 偶発的ないし間接的損害
• バンダリズム、不注意、不当な使用、不適切な設置、正常な損耗、異常気象または異常な状況に起因して損傷したものの
• ユニットの構造的な健全性に無関係な表面的な損傷
• 技術的に予想不可能または防止できないような色あせまたは軽微な傷は一般的な業界では許容されています。
• 製品に対する変更、またはジャングル ジムが販売したものではありません追加部品およびアクセサリ

保証手続き

欠陥部品は30日以内に無料でジャングル ジムが交換します。ただし、欠陥部品は点検のために送料着払いで返品されることを条件とします。30日以降は、お客様が送料を負担して返品し、ジャングル ジムは送料着払いでお客さまに返送します。欠陥部品の返品の許可は、購入した店で入手してください。事前に返品許可(許可番号が記載されたもの)をジャングル ジムが元々購入した店に与えていない商品は受取りを拒否されます。返品はすべて日付の入った購入証明が添付されなければなりません。欠陥品をジャングル ジムに返品する場合は、部品が運送中に破損しないように保護してください。

お客さまの責任

- 製品が早期老化を発生しないように、定期的な点検とメンテナンスを実施することはお客さまの責任です。点検とメンテナンスは本説明書に記載されています。
• お客さまはお子さまの安全を守るべくあらゆる注意を払うものとします。

ジャングル ジムはあらゆる種類の明示的または暗示的な、事実状のまたは法律上の、上記以外の表明および保証を拒否し、それには、無制限に、商品性に関する暗示の保証および特定の目的に対する暗示の保証を含むものとします。

上記の叙述はお客さまの制定法上の権利に影響を及ぼすものではありません。一部の国の裁判権は、上述のような除外または限定を許さないので、上記の叙述はすべての場合に適用されるわけではありません。

040\_805\_LMW\_it\_0100\_20101018\_itA

ジャングル ジムは材料および設計を事前に通知することなく変更する権利を保留します。

040\_805\_LMW\_jp\_0100\_20101018\_niA

RIBOTA GAMINTOJO GARANTIJA

Naudojant įprastomis sąlygomis, pirmąjį pirkejųi „Jungle Gym®“ suteikia šiam produktui garantiją 2 metai nuo pirkimo datos, šiomis sąlygomis:
• Jeigu defektai yra susiję su medžiagų ydomis ar defektais arba gamybos defektais.
• Jeigu buvo nuosekliai laikomasi ir 1, ir 2 mūsų pateiktos instrukcijos dalyje pateiktų nurodymų.
• Jeigu gaminiai buvo naudojami tiktais vienos šeimos asmeniniams tikslams skirtai žaidimų aikštelėi.

Ši ribota garantija neapima:

- Darbų arba išlaidų, patirtų dėl defektų turinčios dalies keitimo.
• Jokios atsitiktinės žalos ar žalos, kuri yra defekto pasekmė.
• Gaminijų, pažeistų dėl vandalizmo aktų, aplaidumo, netinkamo naudojimo, netinkamo montavimo, įprasto nusidėvėjimo, ekstremalių oro sąlygų ar kitokių neįprastų sąlygų.
• Jokį šių komponentų ir priedų modifikacijų.

Garantinė procedūra

Per 30 dienų laikotarpį „Jungle Gym®“ pakeis defektų turintį gaminį nemokamai, jeigu defektų turinti dalis bus grąžinta apžiūreti (už pristatymą apmokant gavėjui). „Jungle Gym®“ grąžins už transportavimą sumokėtą avansą. Praėjus 30-ies dienų laikotarpiui, grąžinkite defektų turinčią dalį iš anksto sumokėdami už transportavimą, ir „Jungle Gym®“ grąžins jums dalį, už kurios transportavimą turėsite sumokėti ją atsiimdami. Prieš grąžinant defektų turinčią dalį reikia susisiekti su mūsų prekės pardavėju ir gauti jo patvirtinimą. Prekę nebus priimama be išankstinio rašytinio „Jungle Gym®“ patvirtinimo, išduoto pardavėjui pirmojo prekės pardavimo vietoje, kuriame bus nurodytas patvirtinimo (leidimo) numeris. Prie visų grąžinamų prekių turi būti pridėtas pirkimą patvirtinantis dokumentas su data.

Pirkėjo pareigos

- Kad gaminys per greitai nesudėvėtų, pirkėjas privalo jį reguliariai tikrinti ir prižiūrėti. Šios patikrinimo ir priežiūros procedūros yra aprašytos šioje instrukcijoje.
• Pirkėjas turi imtis priemonių, užtikrinančių vaikų saugumą.

Aukščiau pateiktas teiginys neturi įtakos juridinems pirkėjo teisėms. Kadangi kai kuriose šalyse tam tikri teisės aktai neleidžia taikyti aukščiau nurodytų išimčių ar apribojimų, jie gali būti taikomi ne visais atvejais.

„Jungle Gym®“ pasilieka teisę be išankstinio įspėjimo keisti medžiagas ir konstrukciją.

040\_805\_LMW\_it\_0100\_20101018\_itA

RAŽOTĀJA IEROBEŽOTĀ GARANTIJA

Šī produkta normālu darbību garantē Jungle Gym® pirmajam pircējam 2 gadi periodā no iegādes dienas, ja ievēroti šādi apstākļi:

- Ja defekti izskaidrojami ar bojājumiem vai defektiem materiālos vai ražošanas procesā.
• Ja rokasgrāmatas 1. un 2. nodaļas ir rūpīgi ievērotas un norādes izpildītas.
• Ja produkti ir lietoti tikai spēļu iekārtas konstruēšanā ģimenes lietošanai.

Ši ierobežotā garantija nesedz:

- Darbu vai darba izmaksas defektīvo priekšmetu remontam.
• Jebkādu negadījumu vai secīgus bojājumus.
• Priekšmetus, kas bojāti vandāļiem, nolaidības, nepareizas lietošanas, nepareizas uzstādīšanas, normāla nodiluma, ekstrēmu laika apstākļu un citu nestandarta situāciju rezultātā.
• Ja veikti jebkādi uzlabojumi sastāvdaļām un priekšmetiem.

Garantijas procedūra

30 dienu laikā Jungle Gym® bez maksas nomainīs bojāto precī, nodrošinot, ka bojātā daļa tiks atgriezta pārbaudei, frakts tiek iekasēts. Jungle Gym® atgriežs daļu frakta priekšapmaksas. Pēc 30 dienu perioda bojātās daļas atgriešanas frakts tiek iepriekš apmaksāts un Jungle Gym® sūtīs to atpakaļ Jums frakta apmaksai. Ar iegādes vietu ir jāsasazinās, lai autorizētu bojātās daļas atgriešanu. Neviena prece netiks apstiprināta bez iepriekšēja Jungle Gym® rakstīta apstiprinājuma oriģinālās iegādes vietai, kas ietver autorizācijas numuru. Visas atgriešanas ir jāpavada ar apstiprinātu iegādes datumu.

Klienta atbildība

- Klienta atbildība ir veikt regulāras pārbaudes un apkopes, kas novērš produkta priekšlaicīgu nolietošanos. Pārbaudes un apkopes ir aprakstītas šajā rokasgrāmatā.
• Klientam ir jāveic drošības profilakses pasākumi, lai nodrošinātu bērnu drošību.

Augstāk aprakstītie noteikumi neietekmē klienta likumīgās tiesības. Dažu valstu jurisdikcija nepieļauj augstāk aprakstītos izņēmumus vai ierobežojumus, tādēļ tie netiek pielietoti visos gadījumos.

Jungle Gym® patur sev tiesības veikt izmaiņas materiālos un konstrukcijā bez iepriekšēja brīdinājuma.

040\_805\_LMW\_lv\_0100\_20101018\_lvA

## PRODUSENTENS BEGRENSEDE GARANTI

Når dette produktet brukes på normal måte, garanteres det av Jungle Gym® overfor den opprinnelige kjøper i en periode på 2 år etter kjøpsdato, på følgende betingelser:

- At mulige defekter skyldes flaws(??) eller defekter i materialer eller produksjonsdefekter.
- At anvisningene i både del 1 og 2 i vår instruksjonsmanual har blitt nøyaktig lest og fulgt.
- At produktene bare har blitt brukt til å konstruere lekeapparater for enkeltfamilier til privat bruk.

### Denne begrensede garantien dekker ikke:

- Arbeidet eller arbeidskostnadene ved erstatning av den defekte delen.
- Enhver tilfeldig skade eller derav følgende skader.
- Gjenstander som har blitt utsatt for hærverk, manglende oppsyn, feilaktig bruk, feilaktig montering, normal slitasje, ekstreme værforhold eller andre unormale forhold.
- Enhver endring som er gjort på komponenter og tilbehør.

### Garanti-prosedyre

Innenfor en periode på 30 dager vil Jungle Gym® erstatte defekte deler kostnadsfritt, dersom den defekte delen sendes inn til inspeksjon. Defekt del sendes i postoppkrav til Jungle Gym®. Jungle Gym® vil sende delen tilbake i en frankert konvolutt. Etter 30 dager kan du sende den defekte delen til Jungle Gym®, men du må selv betale porto. Jungle Gym® vil sende delen tilbake til deg i postoppkrav. Du må ta kontakt med salgsstedet for å få tillatelse til å sende delen tilbake. Jungle Gym® tar ingen deler tilbake hvis de ikke har gitt sin skriftlige tillatelse på forhånd til stedet der apparatet ble solgt første gang. Sendingen vil da få et autorisasjonsnummer. Alle deler som returneres til Jungle Gym®, må vedlegges et bevis på kjøpsdato.

### Kundens ansvar

- Det er kundens ansvar å utføre regelmessige inspeksjoner, og å vedlikeholde produktet slik at det ikke slites ut for tidlig. Disse inspeksjonene og vedlikeholdet er nevnt i denne manualen.
- Kunden må ta alle forholdsregler som gjelder barns sikkerhet.

Erklæring ovenfor påvirker ikke kundens rettigheter som forbruker. Ettersom lovgivningen i noen land ikke tillater de unntak og begrensninger som er nevnt ovenfor, er det mulig at de ikke gjelder i det hele tatt

Jungle Gym® forbeholder seg retten til å endre materialer, og design, uten å informere på forhånd.

040\_805\_LMW\_no\_0100\_20101018\_noA

## GARANȚIE LIMITATĂ A PRODUCĂTORILOR

Supus unei utilizări normale, acest produs este garantat de Jungle Gym® cumpărătorului inițial pentru o perioadă de 2 ani de la data cumpărării, cu următoarele condiții:

- Ca defecțiunile respective să fie datorate unor crăpături sau defecte ale materialelor sau unor defecte de fabricație.
- Ca indicațiile pentru piesele 1 și 2 din manualul cu instrucțiuni să fi fost respectate și urmate cu strictețe.
- Ca produsele să fi fost utilizate numai la asamblarea seturilor de joacă exclusiv pentru utilizarea domestică a acestora de către o singură familie.

### Această garanție limitată nu acoperă:

- Manopera sau costul manoperei pentru înlocuirea articolului defect.
- Orice pagube incidentale sau indirecte.
- Articole deteriorate din cauza vandalismlui, neglijenței, utilizării necorespunzătoare, instalării necorespunzătoare, uzurii normale, condițiilor climatice extreme sau a altor condiții anormale.
- Orice modificări efectuate în plus la componente și accesorii.

### Procedura de garanție

În termen de 30 de zile, compania Jungle Gym® va înlocui gratuit produsele defecte, cu condiția ca piesele defecte să fie returnate pentru control, cu plata costurilor de transport. Jungle Gym® va returna piesa cu costul transportului preplătit. După o perioadă de 30 de zile, returnați piesa defectă cu costul transportului preplătit, iar Jungle Gym® vă va trimite înapoi piesa respectivă, cu plata costurilor de transport. Trebuie contactat magazinul de unde a fost cumpărat produsul pentru a obține autorizarea de returnare a piesei defecte. Nici un produs nu va fi acceptat fără aprobarea scrisă prealabilă a companiei Jungle Gym® acordată magazinului de unde a fost cumpărat inițial produsul, care va include un număr de autorizare. Toate produsele returnate trebuie însoțite de dovada datată a cumpărării acestora.

### Responsabilitățile clientului

- Clientul este responsabil pentru efectuarea unor inspecții și operațiuni de întreținere periodice pentru a se asigura că produsul nu se uzază prematur. Aceste inspecții și operațiuni de întreținere sunt menționate în prezentul manual.
- Clientul trebuie să ia toate măsurile de precauție necesare pentru a garanta siguranța copiilor.

Declarația de mai sus nu afectează drepturile legale ale unui client. Datorită faptului că anumite jurisdicții din unele țări nu permit excluderea sau limitările stabilite mai sus, este posibil ca acestea să nu se aplice în toate cazurile.

Jungle Gym® își rezervă dreptul de a aduce modificări materialelor și designului fără o notificare prealabilă.

040\_805\_LMW\_ro\_0100\_20101018\_nA

## GWARANCJA PRODUCENTA

Pod warunkiem normalnego użytkowania, producent Jungle Gym® udziela gwarancji pierwszemu właścicielowi zestawu na okres 2 lata od daty zakupu, pod warunkiem, że:

- wszelkie uszkodzenia są spowodowane wadami materiałowymi lub produkcyjnymi
- właściciel przestrzegał zaleceń zarówno części 1 jak i 2 instrukcji obsługi
- produkt został użyty do skonstruowania zestawu do zabawy wyłącznie w warunkach domowych, do użytku prywatnego

### Gwarancja nie obejmuje:

- wszelkich prac ani kosztów robocizny przy wymianie uszkodzonych części
- uszkodzeń przypadkowych
- części i elementów uszkodzonych przez wandalii, poprzez zaniedbanie, nieprawidłową instalację, normalne zużycie i ekstremalne warunki pogodowe
- uszkodzeń powstałych w wyniku dokonywania jakichkolwiek modyfikacji części i elementów zestawu

### Procedura gwarancyjna

Producent Jungle Gym® wymieni bezpłatnie wadliwy towar na nowy w terminie 30 dni, pod warunkiem, iż wadliwa część zostanie dostarczona do producenta w celu kontroli, za odpłatnością przy odbiorze kurierowi. Jungle Gym® zwróci część opłaconą przesyłką. Po upływie 30-dniowego terminu, należy zwrócić wadliwą część przesyłką opłaconą a Jungle Gym® odeśle ją z powrotem, za odpłatnością przy odbiorze kurierowi... Aby przekazać uszkodzoną część do producenta na gwarancji, należy wcześniej skontaktować się miejscem zakupu zestawu w celu dokonania autoryzacji. Bez wcześniejszego pisemnego potwierdzenia wysłanego przez Jungle Gym® do miejsca zakupu zestawu., które będzie zawierać numer autoryzacyjny, żadna wadliwa część nie zostanie przyjęta do wymiany. Do każdej reklamacji należy dołączyć dowód zakupu.

### Obowiązki klienta

- Klient jest odpowiedzialny za dokonywanie regularnych przeglądów i serwisowanie urządzeń zestawu celem zapewnienia ich przez zbyt wczesnym zużyciem. Wskazówki dotyczące przeglądów i serwisowania podane są w instrukcji obsługi.
- Klient jest zobowiązany przedsięwziąć wszelkie kroki celem zapewnienia bezpieczeństwa dzieciom.

Powyższe stwierdzenia nie eliminują statutowych praw Klienta. Niektóre z powyższych ograniczeń mogą nie być stosowane w niektórych krajach.

Jungle Gym® zastrzega sobie prawo do dokonywania zmian w materiałach i projekcie urządzeń zestawu bez obowiązku wcześniejszego powiadomienia o tym fakcie.

040\_805\_LMW\_pl\_0100\_20101018\_pA

## ОГРАНИЧЕННАЯ ГАРАНТИЯ ПРОИЗВОДИТЕЛЯ

При условии целевого использования Jungle Gym® предоставляет первоначальному покупателю данного изделия гарантию сроком на 2 года от даты покупки на следующих условиях:

- При условии, что такие дефекты связаны с дефектами или недостатками материалов или дефектами производства.
- При условии точного соблюдения и следования требованиям всех частей 1 и 2 данной инструкции.
- При условии, что изделие использовалось только для строительства игрового комплекса для частного использования одной семьей.

### Данная ограниченная гарантия не покрывает:

- Работу или стоимость работы по замене дефектного элемента.
- Стоимость доставки заменяемой детали по истечении изначального 30-дневного срока.
- Никаких побочных или косвенных убытков.
- Детали, поврежденные вследствие вандализма, небрежности, нецелевого использования, неправильной установки, естественного износа, экстремальных погодных условий или иных ненормальных условий.
- Косметические дефекты, не влияющие на структурную целостность изделия.
- Случаи выцветания краски или незначительных отклонений, которые не могли быть технически предусмотрены или предотвращены, и являются в целом приемлемыми в данной отрасли.
- Любые изменения, внесенные в компоненты и принадлежности.

### Порядок гарантийного обслуживания

В течение 30-дневного периода Jungle Gym® бесплатно заменит дефектные изделия, при условии отправки дефектной детали для проверки с оплатой доставки получателем. Jungle Gym® возместит предоплаченные расходы по отправке детали. По истечении 30-дневного периода, возврат дефектных деталей осуществляется с оплатой доставки отправителем. Jungle Gym® отправит Вам замену с оплатой за счет получателя. Перед возвратом дефектной детали необходимо связаться с точкой продажи для предварительного согласования возврата. Никакие изделия не будут приняты без предварительного письменного одобрения от Jungle Gym®. Все возвраты должны сопровождаться датированным подтверждением покупки. В случае возврата дефектной детали в Jungle Gym®, необходимо обеспечить ее защиту от повреждений при перевозке.

### обязанности клиента

- Обязанностью клиента является проведение регулярных проверок и обслуживания изделия для предотвращения его преждевременного износа. Процедура проверки и обслуживания описана в данной инструкции.
- Клиент должен принимать все меры для обеспечения безопасности детей.

Jungle Gym® отказывается от всех других представлений и гарантий,

## GARANTIA LIMITADA DO FABRICANTE

O produto é garantido pela Jungle Gym®, desde que utilizado em condições normais, num período de 2 anos desde a data da compra, nas seguintes circunstâncias:

- Os defeitos apresentados no artigo fornecido sejam provenientes do material ou do fabrico
- As instruções de montagem sejam rigorosamente cumpridas
- O kit destina-se única e exclusivamente à utilização familiar

### A garantia do fornecedor não cobre

- O trabalho ou o custo do trabalho para a reposição do artigo defeituoso
- Alguns danos acidentais ou consequentes
- Danos causados ao equipamento por actos de vandalismo, negligência, utilização inadequada, instalação imprópria, condições atmosféricas extremas ou outras condições consideradas anormais, e modificações adicionadas aos componentes e aos acessórios do artigo fornecido

### Procedimento da garantia

Num período de 30 dias a Jungle Gym® substituirá a mercadoria defeituosa livre de custos desde que o material defeituoso seja devolvido para verificação. O custo da devolução do artigo será restituído ao cliente no caso de se verificar o defeito. O cliente deve efectuar uma reclamação antes de devolver a mercadoria. Nenhuma devolução será aceite sem autorização prévia. Todas as devoluções devem ser acompanhadas pela prova de compra.

### Responsabilidades do cliente

- É da responsabilidade do cliente executar inspeções e a manutenção regulares para se assegurar que o produto não esteja a envelhecer prematuramente. Estas inspeções e a manutenção são mencionadas neste manual.
- O cliente deverá inspecionar todos os componentes do parque que uma vez danificados, possam por em causa a segurança das crianças.

As indicações acima mencionadas não interferem nos direitos do consumidor. Porque em algumas jurisdições de alguns países não permitem a exclusão ou as limitações acima mencionadas, estas não se podem aplicar em todos os casos.

A Jungle Gym® reserva o direito de efectuar alterações e projectá-las sem aviso prévio.

040\_805\_LMW\_pt\_0100\_20101018\_nA

## OBMEDZENÁ ZÁRUKA POSKYTOVANÁ VÝROBCOM

Za predpokladu normálneho použitia Jungle Gym® dáva záruku na tento výrobok prvému kupujúcemu na dobu 2 roky od dátumu predaja za nasledujúcich podmienok:

- Závädy sú dôsledkom chýb materiálov, alebo výroby.
- Pokyny z časti 1 a z časti 2 našej príručky boli kompletne dodržiavané a zachovávané.
- Výrobky boli používané pre stavbu ihriskovej konštrukcie pre private použitie v jednej rodine.

### Táto obmedzená záruka sa nevzťahuje na:

- Prácu alebo náklady a za prácu, potrebnú na výmenu vadnej časti.
- Žiadne vedľajšie a následné škody.
- Položky poškodené vandalizmom, nebalostou, nesprávnym používaním, nesprávnou montážou, normálnym opotrebením, extrémnymi poveternostnými podmienkami, alebo inými abnormalnými podmienkami.
- Akékoľvek dodatočné úpravy komponentov a príslušenstva.

### Postup pri reklamácií

Do 30 dní Jungle Gym® vymení vadný tovar bezplatne za predpokladu, že vadná časť bude vrátená pre účel kontroly zaslaním na dobierku. Jungle Gym® súčiasťou vráti s uhradením prepravných nákladov. Po uplynutí 30-dňovej doby vráťte vadnú časť a zašlite ju s úhradou prepravných nákladov; Jungle Gym® Vám ju zašle naspäť formou dobierky. Je potrebné spojiť sa s predajňou, kde bolo zariadenie zakúpené a získať súhlas k vráteniu vadnej časti. Žiadny tovar nebude prijatý bez predchádzajúceho písomného súhlasu od Jungle Gym® pre predajňu, ktorá výrobok predala prvému zákazníkovi. Tento súhlas bude obsahovať autorizačné číslo. Každé vrátenie vadných dielov musí byť doložené dokladom o zakúpení s dátumom zakúpenia.

### Zodpovednosť zákazníka

- Zákazník je zodpovedný za vykonávanie pravidelných kontrol a údržby tak, aby nedošlo k predčasnému zastornutiu (znehodnoteniu) výrobku. Kontroly a údržba sú popísané v tejto príručke.
- Zákazník musí vykonať všetky opatrenia aby zaisil bezpečnosť detí.

Hore uvedené prehlásenie neovplyvňuje zákonom stanovené práva zákazníka. Pretože niektoré zákonodarstvo v určitých krajinách nepovoluje here uvedené výnimky alebo obmedzenia, nie je možná ich aplikácia vo všetkých prípadoch.

Jungle Gym® si vyhradzuje právo na zmeny materiálov a konštrukcie bez predchádzajúceho upozornenia.

040\_805\_LMW\_sk\_0100\_20101018\_nA

## PROIZVAJALČEVA OMEJENA GARANCIJA

Pogojeno z normalno uporabo tega izdelka velja garancija Jungle Gym® za kupca za dobo 2 leti od datuma nakupa pod naslednjimi pogoji:

- Da so tiste napake pripisljive pomanjkljivostim ali napakam v materialu ali proizvodnem postopku.
- Da so dosledno upostevavana in izvedena navodila v obeh delih, 1 in 2 našega priručnika navodil.
- Da so izdelki uporabljeni samo za gradnjo igralne opreme za eno družinsko stanovanjsko hišo.

### Ta omejena garancija ne pokriva:

- Delo ali stroške dela za zamenjavo elementov z napakami.
- Kakršenkoli slučajni ali posledični poškodbi.
- Elementi poškodovani zaradi vandalizma, zanemarjenosti, nepravilne uporabe, napačne montaže, normalne obrabe, ekstremnih vremenskih razmer ali drugih nenormalnih pogojev.
- Vsaka modifikacija na komponente ali dodatnih opem.

### Garancijski postopek

V 30-ih dneh bo Jungle Gym® brezplačno zamenjal pomanjkljivo blago pod pogojem, da vrnete pomanjkljivi del z prevozom po vzetju za inspekcijo. Jungle Gym® bo poslal del z predplačnim prevozom. Po 30 dneh, vrnete pomanjkljivi del z predplačnim prevozom in Jungle Gym® ga bo poslal nazaj po prevozom plačljiv po vzetju. Morate kontaktirati mesto nakupa zaradi odobritve za vračanje pomanjkljivega dela. Nobeno blago ne bo sprejeto brez predhodne pismene odobritve od Jungle Gym® na mestu originalnega nakupa, ki vsebuje številko odobritve. Vse vrnjene pošiljke morajo biti opremljene z datiranim dokazom nakupa.

### Odgovornosti kupca

- Kupec je odgovoren za izvajanje redne pregleda in vzdrževanje, da se prepreči, da se izdelek pregodaj ne postara. Te pregledi in vzdrževanja so navedena v tem priručniku.
- Kupec mora skrbeti za vse varnostne ukrepe za jamstvo varnosti otrok.

Zgornja izjava nima vpliva na zakonite pravice kupca. Ker nekatere jurisdikcije v nekaterih državah ne dovolijo izključitev ali omejenost, kakor so določene zgoraj, le te ne veljajo v vseh primerih.

Jungle Gym® pridržuje pravice za spremembe v materialu in konstrukciji izdelkov brez predhodnega obvestila.

040\_805\_LMW\_sl\_0100\_20101018\_nA

## OGRAIČENÁ GARANCIJA PROIZVOĐAČA

Pod uslovima upotrebe proizvoda saglasno njegovoj nameni Jungle Gym® kupcu daje garanciju u trajanju od 2 godine pod sledećim uslovima:

- Da se nedostatci odnose na greške ili defekte na materijalima ili na fabričke greške.
- Da je korisnik detaljno proučio i pratio sva uputstva iz tačka 1 i 2 iz korisničkih uputstva.
- Da su proizvodi korišćeni samo za sastavljanje seta za igranje u svrhu upotrebe od strane same jedne porodice.

### Ovo ograničena garancija ne pokriva:

- Radove ili troškove rada na zameni defektog elementa.
- Troškove dostave u svrhu zamene delova nakon isteka inicijalnog perioda od 30 dana.
- Bilo kakva slučajna ili posledična oštećenja.
- Oštećenja nastala usled vandalizma, nemara, neprimerene upotrebe, nepropisnog postavljanja, uobičajenog habanja, ekstremnih vremenskih uslova ili ostalih neuobičajenih uslova.
- Estetska oštećenja koja se ne odnose na strukturni integritet jedinice.
- Slučajevne bleđenja boje ili manje nedostatke koji nisu tehnički uslovljeni ili se ne mogu sprečiti i koji se obično prihvataju u robnoj razmeni.
- Bilo kakve modifikacije komponenta i dodataka.

### Postupak korišćenja garancije

Jungle Gim će zamijeniti neispravnu robu u roku od 30 dana bez naknade, pod uslovom da se neispravni dio pošalje na pregled. Primalac u tom slučaju preuzima troškove isporuke. Jungle Gym će o vlastitom trošku vratiti robu. Nakon isteka perioda od 30 dana pošaljite neispravan deo uz podmirenje troškova isporuke te će Vam Jungle Gym vratiti robu. U tom slučaju primatelj preuzima troškove isporuke. Od prodajnog je mesta potrebno zatražiti odobrenje za vraćanje neispravnog dela. Roba neće biti prihvaćena bez prethodnog pisanog odobrenja Jungle Gym-a. Sva vraćena roba mora imati pisani dokaz o kupovini i datumu kupovine. Ako vraćate neispravni deo Jungle Gym-u, molimo Vas da ga zaštitite od oštećenja tokom transporta.

### Odgovornost kupca

- Odgovornost je kupca da redovno pregleda i održava proizvod kako bi ga zaštitio od preranog habanja. Ti su pregledi i postupci održavanja navedeni u ovom priručniku..
- Kupac mora preduzeti sve mere za zaštitu i sigurnost dece.

Jungle Gym ne priznaje ostale predstave i garancije bilo koje vrste, izričita ili implicirana, činjenična ili zakonska, uključujući, bez ograničenja, implicitnu garanciju za upotrebljivost i izvodljivost za određenu svrhu. Gornja odredba ne utiče na zakonska prava kupca. Budući da jurisdikcije određenih država ne dozvoljavaju gornja isključenja ili ograničenja, ona se eventualno ne primenjuju u svim slučajevima. Jungle Gym® zadržava pravo na izmene materijala i dizajna bez prethodne najave.

040\_805\_LMW\_sr\_0100\_20181108\_nA

## TILLVERKARENS BEGRÄNSADE GARANTI

Förutsatt att denna produkt används på normalt sätt lämnar Jungle Gym® garanti till den ursprungliga köparen under en period av 2 år från inköpsdagen med följande förutsättningar:

- Att dessa eventuella fel är att härröra till material- eller tillverkningsfel.
- Att både del 1 och del 2 i våra instruktioner studerats noggrant och följs till punkt och pricka.
- Att produkten endast använts på det sätt den är avsedd för i ett familjeshem

### Den begränsade garantin omfattar inte:

- Arbetet eller arbetskostnaden för att byta ut den defekta varan.
- Några som helst indirekta skador och följdskador.
- Delar skadade på grund av vandalisim, underlätelse, felaktig användning, felaktig montering, normal förlitning, extrema väderförhållanden eller andra onormala förhållanden.
- Några som helst ändringar av delar och tillbehör.

### Garantiproceduren

Inom en 30-dagars period ersätter Jungle Gym® defekta delar utan kostnad förutsatt att de defekta delarna returneras för inspektion (mottagaren betalar frakten). Jungle Gym® returnerar delarna med frakten förbetald. Efter denna 30-dagars period kan defekta delar returneras med frakt förbetald och Jungle Gym® returnerar korrekta delar mot postförskort eller liknande. Kontakta alltid inköpsstället för att få tillåtelse att returnera de defekta delarna. Inga delar accepteras utan skriftligt godkännande från Jungle Gym® till platsen för det ursprungliga inköpet. Godkännandet ska innefatta ett godkännandenummer. Alla retur ska åtföljas av ett daterat inköpskvitto.

### Kundens skyldigheter

- Kunden är skyldig att regelbundet kontrollera och underhålla produkten så att den inte slits ut i förtid. Kontroll och underhåll av produkten nämns i handbokens allmänna del.
- Kunden måste vidta alla säkerhetsåtgärder för att garantera barnens säkerhet.

Uttalandet ovan påverkar inte konsumentens lagstadgade rättigheter. Eftersom lagen i vissa länder inte tillåter utslutningar eller begränsningar så som satta ovan kan det vara så att de inte är tillämpliga vid alla tillfällen.

Trädgårdsvirket som behövs och instruktioner för sågning.

040\_805\_LMW\_sv\_0100\_20101018\_nA

## ÜRETICILERIN LİMITLİ GARANTISI

Ürün, doğru kullanılması ve aşaiğidaki koşulların yerine getirilmesi halinde Jungle Gym® tarafından satın alındığı tarihten itibaren 2 yıl boyunca garantilidir:

- Hata malzemenin veya üretimdeki bir aksaklıktan kaynaklanıyorsa,
- Kullanım klavuzununun 1. ve 2. bölümleri eksiksiz anlaşılmış ve uygulanmış ise,
- Ürün parçalarının sadece tek bir aile evinde/bahçesinde kullanılmak üzere oyun seti yapılmışında kullanılması halinde.

### Limitli garanti aşaiğidakileri kapsamaz:

- Hatalı ürünün işçiliği veya işçilik ücreti,
- Tesadüfi veya bağıntılı hasarlar,
- Şiddet, ihmâl, yanlış kullanım, normal aşınma, aşırı hava koşulları veya diğer anormal koşullar,
- Parçaların yapılmış herhangi bir modifikasyon.

### Garanti prosedürü

Jungle Gym®, hatalı ürünün kontrol için geri gönderilmesi halinde (nakliye ücreti Jungle Gym® tarafından ödenecektir), bozuk ürünü ücretsiz olarak 30 gün içinde değiştirecektir. Jungle Gym® parçayı nakliye ücretini karşılayarak geri gönderecektir. Hatalı ürün, 30 gün geçtikten sonra gerigönderilirse, nakliye ücreti müşteri tarafından karşılanacaktır. Jungle Gym® ürünü geri gönderirken de nakliye ücretini karşılamayacaktır. Hatalı ürünün geri gönderilebilmesi için satın alınan yer ile iletişime geçilip onay alınması gereklidir. Onay numarasının da dahil edildiği yazılı onay olmalıdır. Jungle Gym® hiçbir malı kabul etmeyecektir. İade edilen tüm ürünlerde onaylı satın alınma tarihinin de yazması gereklidir.

### Müşterinin sorumlulukları

- Ürünün daha uzun kullanılabilmesini sağlamak için periyodik kontrolleri ve bakımı yapmak müşterinin sorumluluğudur. Kontrol ve bakımlar bu kullanım klavuzunda belirtilmiştir.
- Müşteri, çocukların güvenliğini sağlamak için tüm önlemleri almak zorundadır.

Yukarıdaki cümle, müşterinin yasal haklarını etkilemez. Bazı ülkelerdeki yargı makamları yukarıdaki limit ve kısıtlamaları kabul etmediği için, tüm davalarda geçerli sayılamazlar.

Jungle Gym® tüm malzeme ve tasarımlarda önceden bilgi vermemek için değişiklik yapma hakkını saklı tutar.

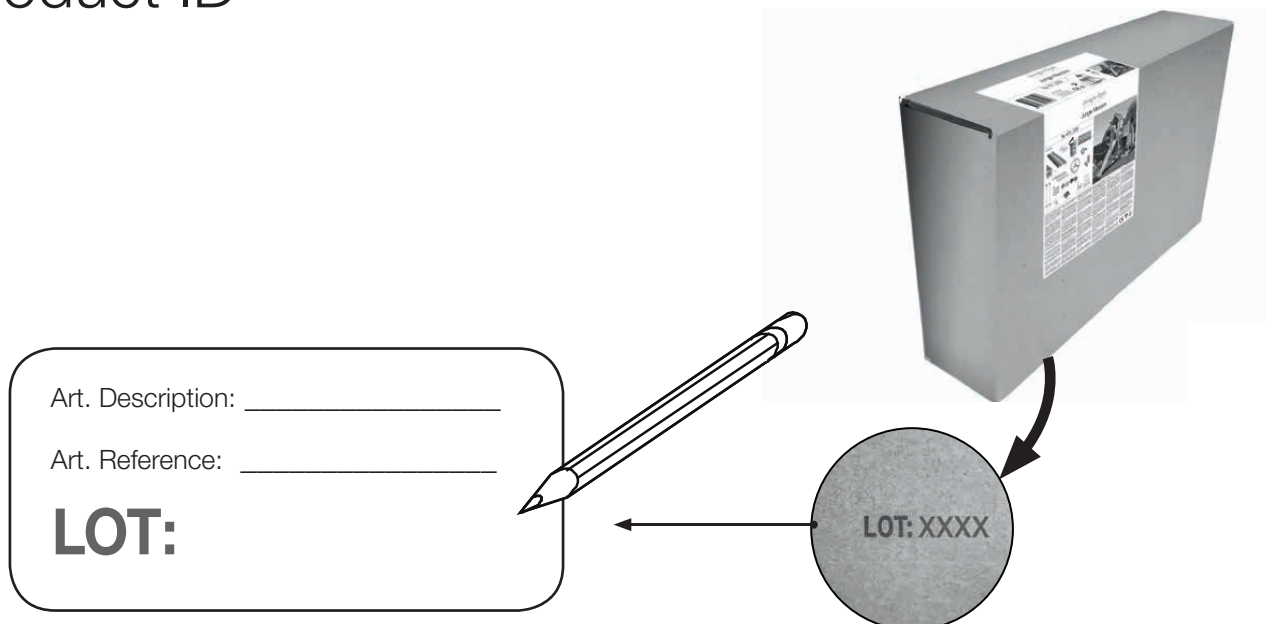
040\_805\_LMW\_tr\_0100\_20101018\_nA







# Product ID



# Jungle Gym

BACKYARD PLAYGROUNDS

— since 1988 —

P.O. Box 75083  
1070 AB Amsterdam  
The Netherlands

Do not reproduce under penalty of law.  
Availability of Jungle Gym® products may vary between distributors  
and countries. Subject to alterations and printing errors.  
Printed in China.