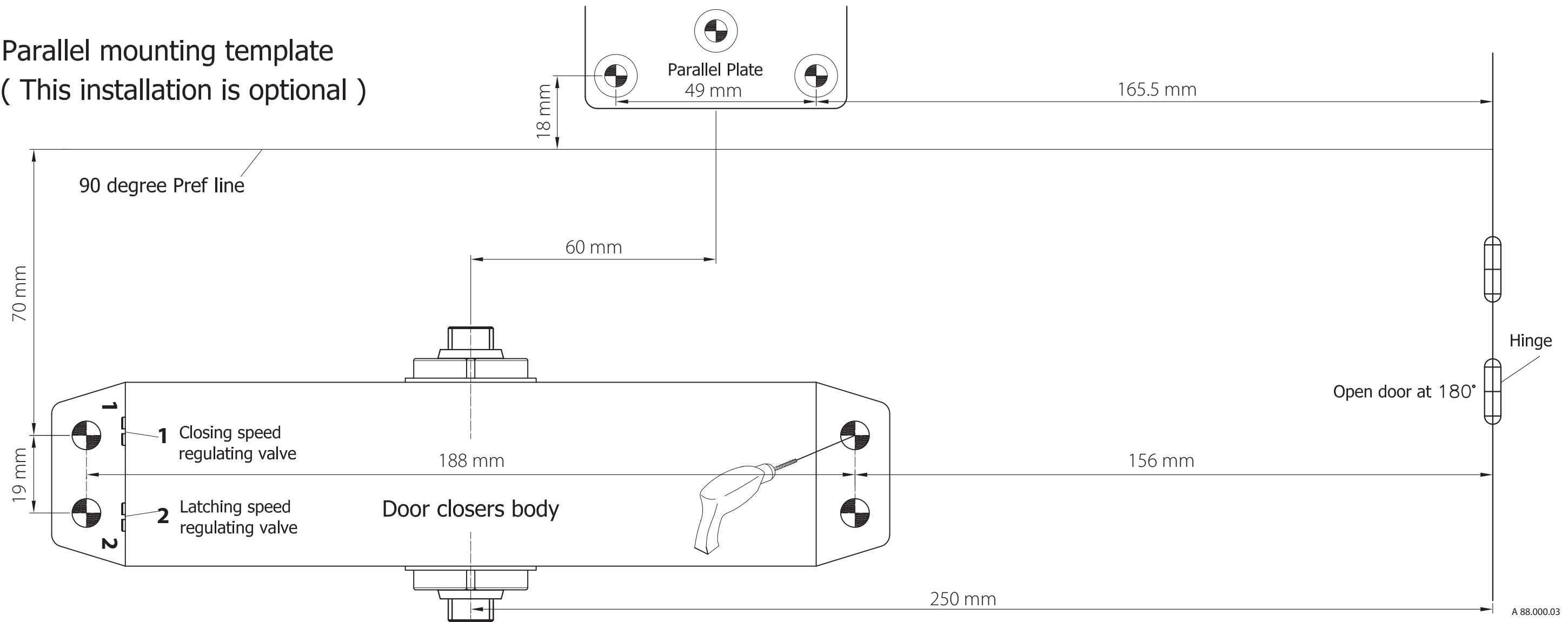
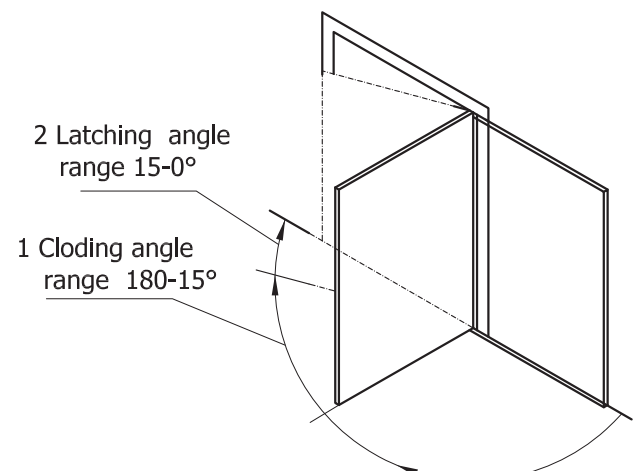
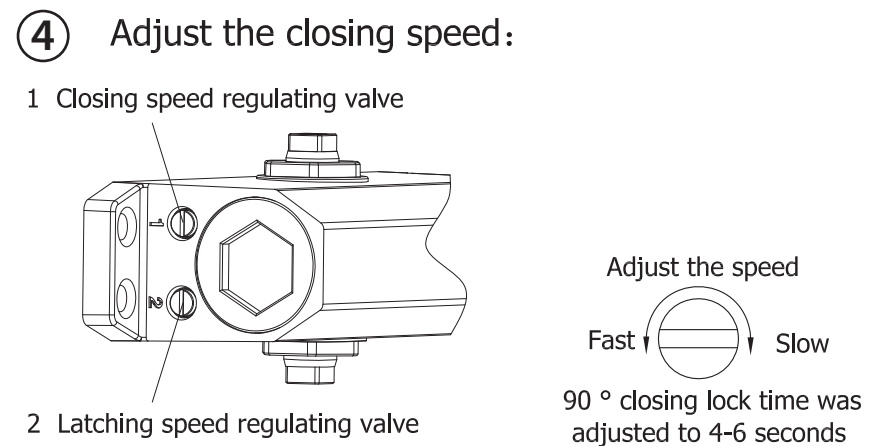
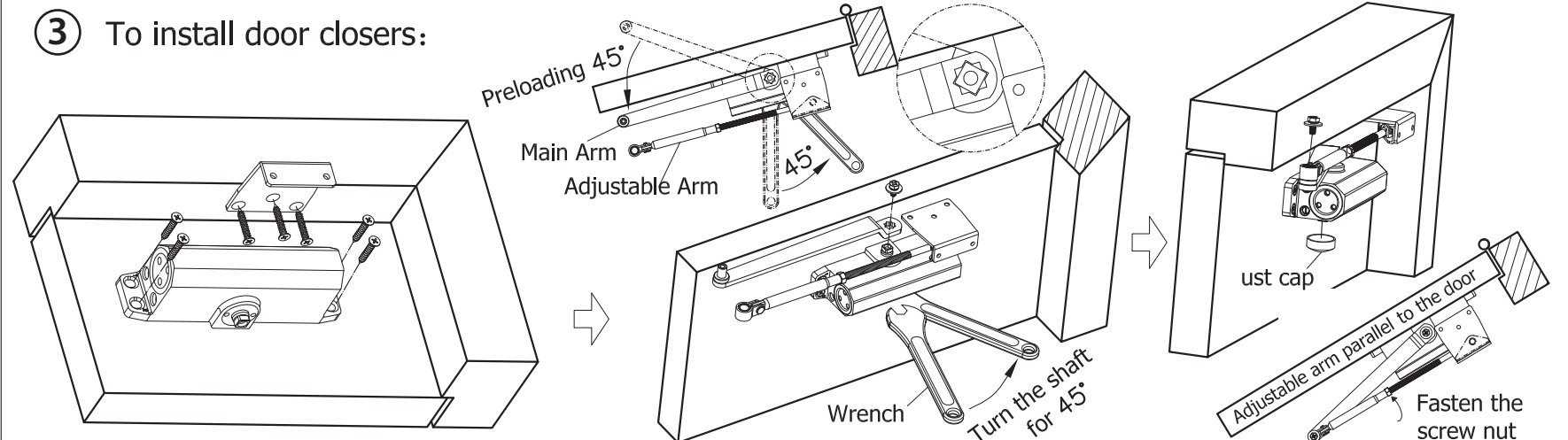
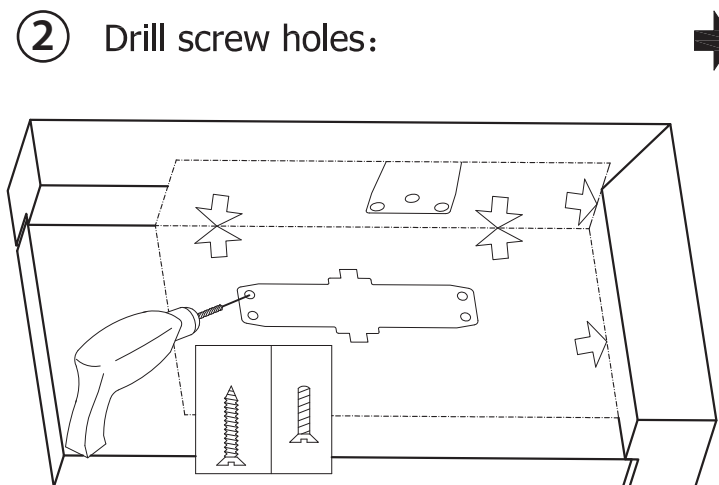
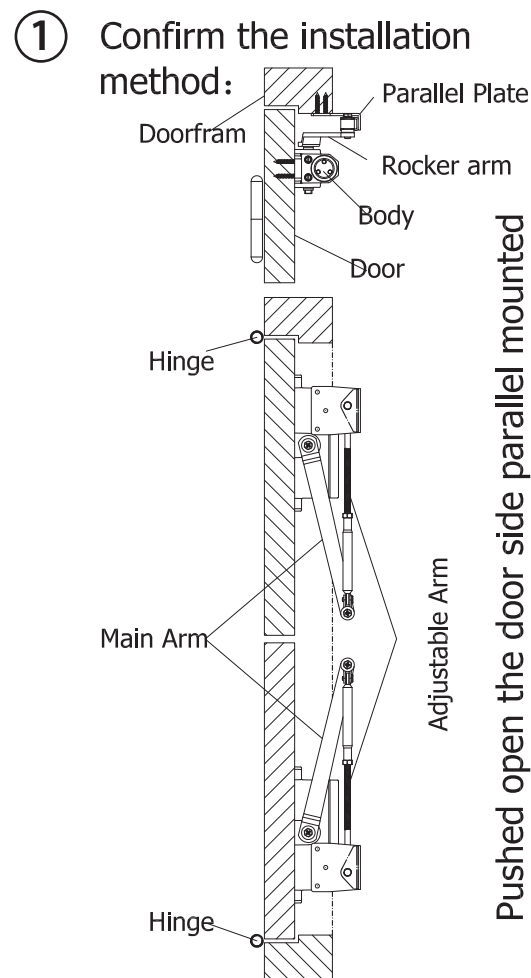


Parallel mounting template (This installation is optional)



A 88.000.03
1604. YS



- 5** Attention !!!
1. Please do NOT turn the shaft gear over 180 degree before the door closer installation.
 2. Please do NOT beat the shaft gear heavily when install the arm.
 3. Please do NOT force the door to close as the door closer has self-dosing function.
 4. Please tighten all the screws part after 15 days of using.
 5. Please do NOT twist the speed adjust valve out of the closer body when adjusting.
 6. Please Pay attention to the speed adjust when summer and winter every year.