



EN BUILT IN FIREPLACE FEY

NL INBOUWHAARD FEY

FR CHEMINÉE ENCASTRABLE FEY

DE EINBAUKAMIN FEY



EN Instruction manual

NL Handleiding

FR Manuel d'instructions

DE Bedienungsanleitung


made easy

Important:

Please read the instruction manual carefully before installing or using the electric fireplace and please keep it for future reference. This manual is part of the device and should be stored with it. If sold to a third party, this manual should be supplied with the product. Liability will not be accepted, and the warrant shall not apply in case of improper use or failure to follow the safety instructions. For assistance or additional information, contact a qualified technician, the help desk, or the point of sale.

SECTION 1: WARNINGS & ELECTRIC SPECIFICATIONS


1.1 Important Safety Instructions

 **This symbol alerts you to potential hazards that can kill or hurt you and/or others**


DO NOT:

- Install or operate a damaged heater
- Modify the heater
- Operate the heater without fully assembling all components


WARNING!

 **Improper installation, adjustment, alteration, service, or maintenance can cause injury or property damage.** Refer to the owner's information manual provided with this heater. For assistance or additional information consult a qualified installer, a service agency or your dealer.

WARNING!

 When using electrical heaters, basic precautions should always be followed to reduce the risk of fire, electric shock, and injury to persons, including the following:

- Do not use this heater in the immediate surroundings of a bath, a shower, or a swimming pool.
- Do not switch on the electric fire until it has been properly installed, as described in the manual (however, it is important to test the fire before you built it in).
- Never leave the appliance burning while you are away.
- Never leave the appliance connected to the power supply while you are away.
- The appliance is intended for domestic use and must not be used for industrial purposes.
- Do not use the appliance with wet hands.
- For indoor use only. This appliance is not suitable for use outside the house and only suitable for well insulated spaces or occasional use.
- Do not use the appliance on or near hot surfaces.
- The appliance may only be cleaned when the electric fire has been disconnected from the mains/socket and when the electric fire has cooled down completely.
- Never clean the electric fireplace with aggressive cleaning agents.
- Never use accessories not recommended by Livn. It may endanger the user or damage the electric fireplace.

- Do not use this fire as a free-standing appliance. It must always be fixed to the wall, fireplace mantel, etc.
- This appliance must not be supplied through an external switching device, such as a timer, or connected to the circuit that is regularly switched on and off by utility in order to avoid a hazard due to the inadvertent resetting of the thermal cut out.
- To reduce the risk of fire, keep textiles, curtains, or any other flammable material a minimum distance of 1 meter from the air outlet.
- Keep the power cord away from hot surfaces and hot conditions. Do not route the power lead in front of the appliance.
- This heater must be earthed. If in any doubt consult a suitable competent person.
- This heater must not be located immediately below a socket-outlet.
- This appliance can be used by children aged from 8 years and above, and persons with reduced physical, sensory or mental capabilities or lack of experience and knowledge if they have been given supervision or instruction concerning use of the appliance in a safe way and understand the hazards involved.
- Children shall not play with the appliance.
- Cleaning and user maintenance shall not be made by children aged from 8 years and above without supervision.
- Children of less than 3 years should be kept away unless continuously supervised.
- Children aged from 3 years and less than 8 years shall only switch on/off the appliance provided that it has been placed or installed in its intended normal operating position and they have been given supervision or instruction concerning use of the appliance in a safe way and understand the hazards involved. Children aged from 3 years and less than 8 years shall not plug in, regulate, and clean the appliance or perform user maintenance.
- Some parts of this product can become very hot and cause burns. Particular attention has to be given where children and vulnerable people are present.
- DO NOT use this appliance in small rooms that are occupied by persons not capable of leaving the room on their own, unless constant supervision is provided.
- Do not cover: In order to avoid overheating, do not cover the heater.
- The meaning of figure in marking is "WARNING: DO NOT COVER". 
- Do not use the electric fire with a damaged plug or cord, after a malfunction, after a fall or when the fire has been damaged in any way.
- Make sure that the power cord never passes sharp edges, comes into contact with hot surfaces or gets tangled.
- Do not let the power cord run under carpets, rugs, etc.
- Warning: in order to avoid overheating, do not allow the appliance to be covered or let the air inlet/outlet become obstructed.
- Do not disconnect the appliance from the power while it is in operation. Use the functions of the remote control to switch off the fire and make sure that the main switch is in the OFF ("o") position before removing the plug from the socket.
- If the power cord is damaged, it must be repaired by the manufacturer, its authorized service centre or professional person.
- Keep the power plug accessible after installation.
- Never immerse the product in water or other liquids.
- Do not use this fire in rooms that have explosive gas in them (for example petrol), or if you are using solvents, glue, aerosol spray or in flammable paints, as these may catch fire.

- DO NOT use if there are visible signs of damage to the appliance.
- DO NOT use this appliance if it has been dropped.

1.2 Specifications

Model No.:	Fey (EF248A)
Supply Voltage:	AC 230-240V, 50Hz, 1830-2000W
Maximum power consumption:	2KW
Power for flame effect:	10.0W
Power for Fuel Bed effect:	5.9W

Heat Output:

Nominal heat output (Pnom):	2KW
Minimum heat output(indicative) (Pmin):	1KW
Maximum continuous heat output (Pmax):	2KW

Auxiliary Electricity Consumption:

At nominal heat output (elmax):	12.5W
At minimum heat output (elmin):	12.0W
In standby mode (elSB):	0.49W

Type of heat output / room temperature control

Single stage heat output and no room temperature control	No
Two or more manual stages, no room temperature control	No
With mechanic thermostat room temperature control	No
With electronic room temperature control	Yes
Electronic room temperature control plus day timer	Yes
Electronic room temperature control plus week timer	Yes

Other Control Options

Room temperature control, with presence detection	No
Room temperature control, with open window detection	Yes
With distance control option	Yes
With adaptive start control	Yes
With working time limitation	No
With black bulb sensor	No

SECTION 2: INSTALLATION

Tools required

Magnetic Screw Driver
Rotary Hammer

Content of the package





Mounting materials, remote control, batteries, user manual, electric fireplace




2.1 Unpacking the Fireplace



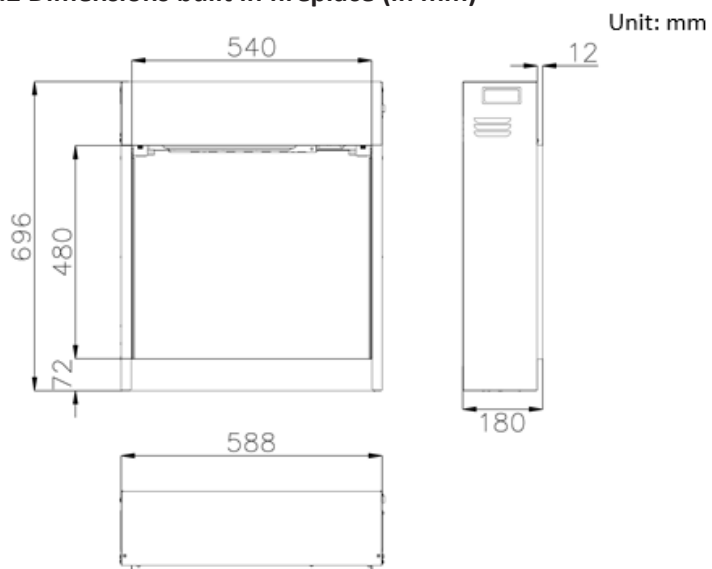
WARNING! Do NOT use this appliance if any part has been under water. Immediately call a qualified service technician to inspect and to replace any part of the electrical system if necessary. Keep plastic wrapping away from children.

- Open the packaging carefully and remove the foam; make sure that the appliance is intact, has no signs of damage caused by transport, and no part of it has been exposed to water. If in doubt, do not use the appliance and contact an authorized service centre.
- Remove and discard the plastic bag.
- Be responsible when handling the packing materials.
- Keep the original packaging because this may be needed if you have a complaint about the product or for future transport and/or storage.
- Make sure that all parts are removed from the packing.
- Keep little children away before and during installation. Be aware that the little children do not be in contact with the parts.
- The electric fireplace can be installed almost anywhere in your home. Please, read and follow the instructions carefully by choosing a location. For the best result, install the electric fireplace not in direct sunlight.
- The appliance should be connected to an earthed electrical outlet that can be easily accessed to disconnect the device.

 <p>Remote Handset (1)</p>	 <p>AAA Battery (2)</p>	 <p>Instruction (1)</p>	 <p>Mounting bracket (2)</p>
---	--	--	--

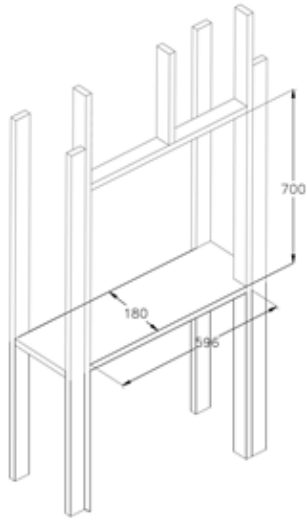
 <p>Screw ST4*12 (8)</p>	 <p>Resin Log (1 set)</p>	 <p>Grey stones(1 set)</p>	
---	--	---	--

2.2 Dimensions built in fireplace (in mm)

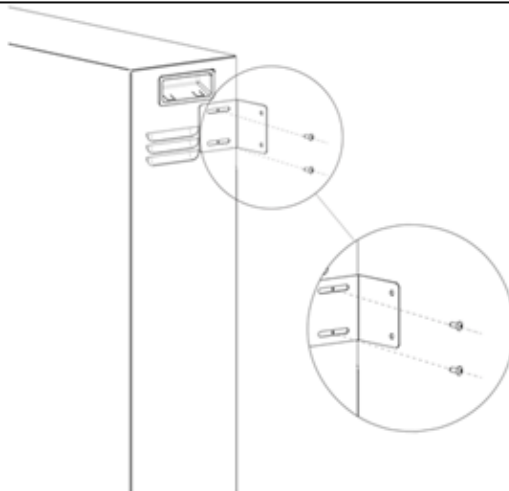


Optional built-in installation of the fireplace

STEP 1.

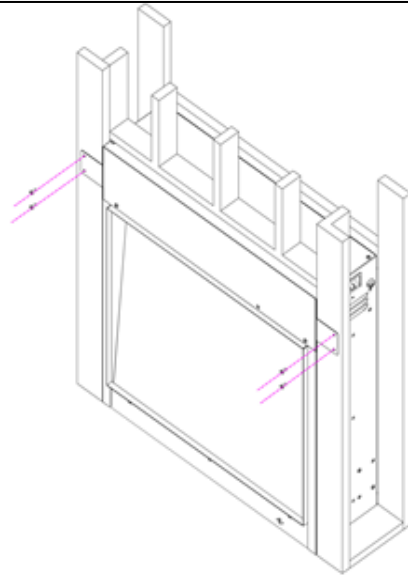


STEP 2.



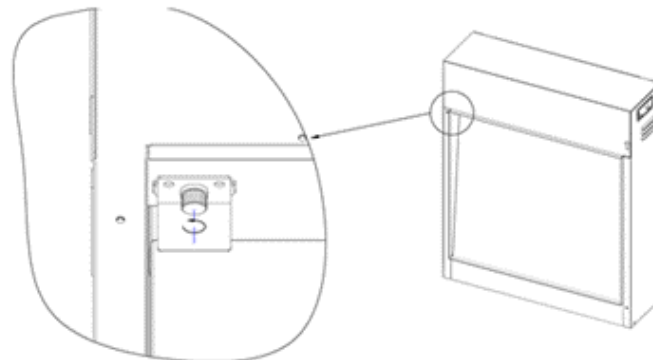
Take out the 2 fixing brackets and 4pcs ST4x12 screws to fix on the left and right-side panel of the unit.

STEP 3.



Use 4 ST4x12 screws to fix the fireplace on the frame

STEP 4.



Take out the screws on the corners of the firepit and use glass hook to take out the glass carefully.

STEP 5.



Carefully spread the grey stones across the fuel bed. Then arrange the logs along the inset window ledge at the front of the firebox. Replace the glass and screw the screws on the corners tight.

Note: Ensure that you leave adequate room to remove and replace the front screen or other parts.

SECTION 3: OPERATING INSTRUCTIONS

WARNING: Do not operate the appliance if it is damaged or has malfunctioned. If you suspect the appliance is damaged or has malfunctioned, call a qualified service engineer to inspect the appliance, and replace any part of the electrical system, if necessary, before re-use.

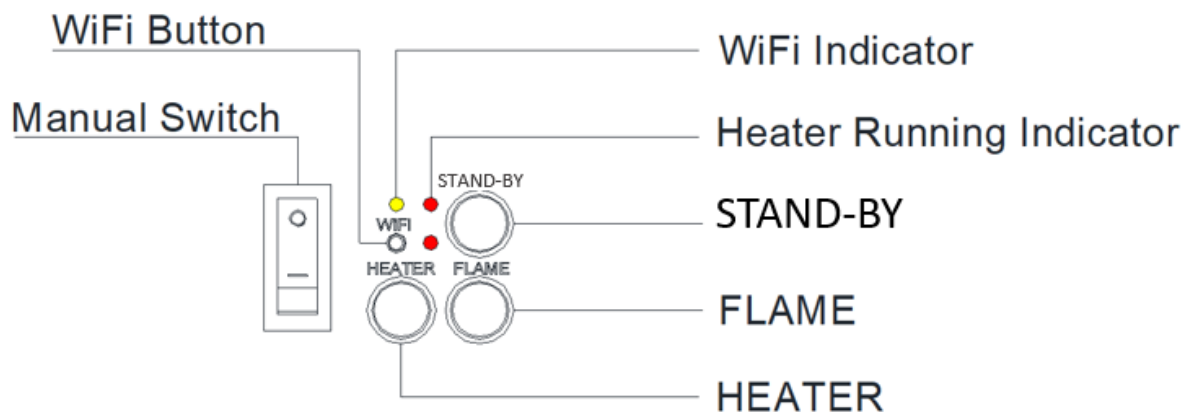
MAKE SURE that the plug fits tightly into the outlet. Faulty wall outlet connections or loose plugs can cause the outlet to overheat.

This appliance can be operated by both remote control and manual buttons. Once the unit has been properly connected to an earthed electrical outlet, turn on the main switch located on the top right-hand side of the front of the appliance. A beep should be heard when the power is first applied.

NOTE! To use both remote and manual functions the manual on/off switch must be in 'ON' position.

In order to protect the product not becoming too hot, there is 10 seconds delay when turning on the heater; also, there is 10 seconds delay when turning off the heater fan.

3.1 Operating by Manual Button



NOTE! The manual button on the fire box unit will not provide you with all function control, and its purpose is to control some basic function when you lose the remote handset. Please use the remote handset to carry out all functions.

MANUAL SWITCH

Press the switch to switch the appliance ON or OFF.

STAND-BY BUTTON

Press "STAND-BY" to enter standby mode.

FLAME BUTTON

Press "FLAME" button to select the colour of flame (3 colours) or return to the OFF position. Press for 3 seconds to cancel the beep sound every time you press the button, two short beeps indicate it is cancelled.

HEATER BUTTON

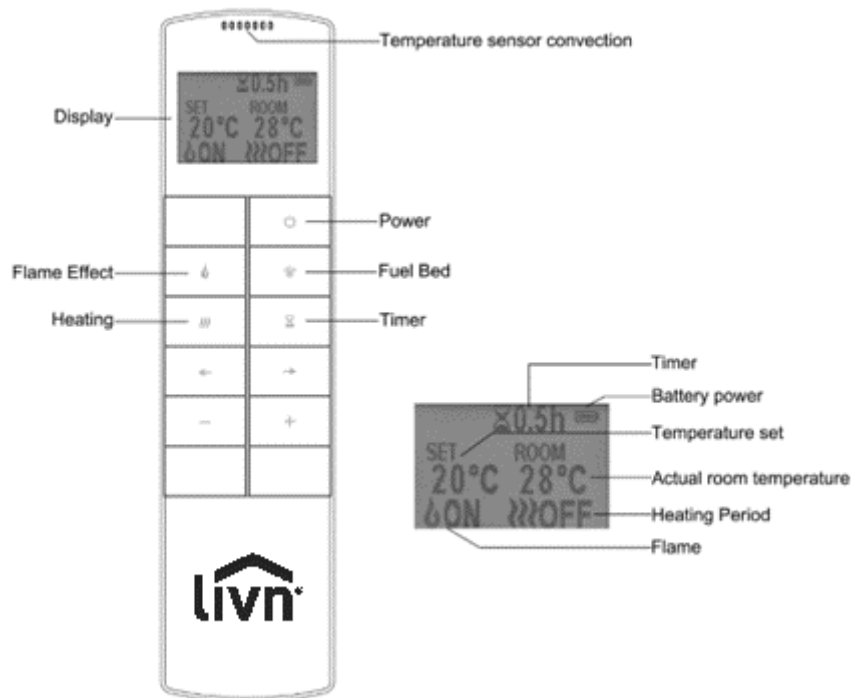
Press “HEAT BUTTON” to cycle through LOW heater, HIGH heater and OFF.

WIFI BUTTON

Press to enter Wi-Fi mode.

3.2 Operating by Remote Handset

- Make sure the batteries are installed properly in the remote control.
- The effective range of the remote control is up to 15 meters or 49 feet.




NOTE: This is a thermostatic remote control. The remote should be in the same room as fireplace and placed on a flat surface. It must be placed away from the heater so the hot air will not blow on it and affect thermostatic reading.


The communication frequency between the fire and remote has already been set up. If you cannot use the remote with the fire, please follow instructions Step 3.2.16 to initiate this connection in point.

Turn on/off

3.2.1 Press  to turn the flame and fuel bed effect on or off.

3.2.2 Press  to turn off the auto mode when the heater is in Heating AUTO mode.


Flame Effect

3.2.3 Press  turn the flame on/off.


3.2.4 Press the ‘←’ and ‘→’ button to select the 3 kinds of flame effect or OFF.

3.2.5 Press the ‘+’ and ‘-’ button to select the 5 brightness of flame effect and OFF settings.



Fuel Bed Colour Adjustment

- 3.2.6 Press  to turn the fuel bed on / off.
- 3.2.7 Press the '←' and '→' button to select one of the 9 fuel bed colour options and OFF.
- 3.2.8 Press the '+' and '-' button to increase the fuel bed brightness (5 options).

Heating function

- 3.2.9 Press  to turn on the heater. There are 4 heating modes: LOW, HIGH, OFF and AUTO.
- 3.2.10 Press the '+' and '-' button to set the temperature from 5-40°C.

Timer

- 3.2.11 Press  to turn on the timer.
- 3.2.12 First press  to set the time to 0.5H, press the button again to cycle through 1H, 2H, 3H, 4H, 5H, 6H, 7H, 8H, 9H, 10H, OFF.
- 3.2.13 While the heater is in AUTO mode, set timer to turn all functions OFF including Heating AUTO mode.

Window Open Detection

- 3.2.14 When the transmitter detects a rapid drop in room temperature, it will be judged as a window open, the warning icon will be displayed, and the heating will be turned off automatically.
- 3.2.15 After the indoor temperature has risen or a manual override of the warning (by operating remote control) has been done, the fire will return to normal working state.



Set up the communication between the remote and appliance

- 3.2.16 The below operations should be carried out before programming, when changing to a new remote or in the event the appliance cannot be controlled by the remote:
- Press the POWER ON/OFF button on the control panel for 3 seconds after turning on the appliance, you will hear two long beeps from the unit.
 - Then within 10 seconds press the POWER ON/OFF button on the remote, a long beep indicates that setting up the communication between the remote and appliance is done.
 - If not, repeat the steps above.
- 3.2.17 Resetting the code for remote control is necessary if the appliance operates wrongly or the remote control does not operate correctly.
- Open the back cover of the remote control.
 - Press the Reset button on remote handset.



SECTION 4: MAINTENANCE



Warning: Before any maintenance and/or cleaning the exterior of the fireplace, disconnect the unit from the power supply and leave until cooled off.

4.1 Remote Handset Battery Replacement

Full battery 

Half full battery 

When the batteries are out of power and need replacing immediately 

Battery replacement is recommended after 1 year. The batteries are 1.5V alkaline AAA batteries.

Dispose of old batteries at an appropriate recycling facility.

4.2 Cleaning the Fireplace

You can clean the exterior of the fireplace with a soft, damp, lint-free cloth. Do not use cleaning or polishing products. To remove fingerprints or other marks on the front glass panel, use a soft, damp, lint-free cloth with a good quality household glass cleaner. The front glass panel should always be completely dried with a clean, lint-free cloth or paper towel.



Caution: Do not use abrasive cleaners on the glass panel. Do not spray liquids directly onto any surface of the unit.



Caution: Other maintenance must be performed by a competent electrician.

4.3 Environment



Meaning of crossed-out wheeled dustbin:

Do not dispose of electrical appliances as unsorted municipal waste, use separate collection facilities.

Contact your local government for information regarding the collection systems available. If electrical

appliances are disposed of in landfills or dumps, hazardous substances can leak into the groundwater and get into the food chain, damaging your health and well-being. When replacing old appliances with new ones, the retailer is legally obligated to take back your old appliance for disposals at least free of charge.



This fire complies with the Safety Standards EN 60335-1 and EN 60335-2-30 which covers the essential requirements of the Low Voltage Directive 2014/35/EU and the EMC standards EN 55014-1; EN 55014-2; EN 61000-3-2 and EN 61000-3-3 which covers the essential requirements of the European Electro Magnetic Compatibility 2014/30/EU and the RED standards EN300220-2, EN301489-1, EN301489-3 and EN6247 which covers the essential requirements of the European Radio Equipment Directive 2014/53/EU.

GIMEG Nederland B.V. –Atoomweg 99 – 3542 AA – Utrecht – The Netherlands

Control System Technical Data			
	Main control board	Wi-Fi Module	Remote Control
Hardware	RC01-055B00 V0	WR3 V1.0	RF290H V1.1
Software/Logiciel	TC01-055B01 V0	/	RCS19-V01.06
Frequency	FSK 433.92MHz	2.4GHz	FSK 433.92MHz
Maximum Transmit Power	10mW	100mW	10mW

Belangrijk:

Lees de handleiding zorgvuldig door voordat u de elektrische open haard installeert of gebruikt, en bewaar hem voor toekomstig gebruik. Deze handleiding maakt deel uit van het apparaat en moet bij het apparaat worden bewaard. Als u het apparaat doorverkoopt, dient u deze handleiding bij het product mee te leveren. Bij onjuist gebruik of het niet opvolgen van de veiligheidsinstructies is de fabrikant niet aansprakelijk voor de gevolgen hiervan en vervalt het recht op garantie. Neem voor hulp of aanvullende informatie contact op met een gekwalificeerde servicemonteur, de helpdesk of uw verkoper.

DEEL 1: WAARSCHUWINGEN & ELEKTRISCHE GEGEVENS

1.1 Belangrijke veiligheidsinstructies



Dit symbool waarschuwt u voor mogelijke gevaren die u en/of anderen kunnen doden of verwonden

NOOIT DOEN:

- Een beschadigde kachel installeren of gebruiken
- Het verwarmingselement veranderen
- De kachel gebruiken zonder volledig samenvoegen van alle onderdelen

WAARSCHUWING!



Onjuiste installatie, aanpassing, wijziging, service of onderhoud kan letsel of materiële schade veroorzaken. Raadpleeg voor informatie de handleiding die bij deze kachel zit. Voor hulp of meer informatie neem contact op met een erkende installateur, een servicecenter of uw dealer.

WAARSCHUWING!



Bij gebruik van elektrische kachels moeten de voorzorgsmaatregelen altijd zorgvuldig opgevolgd worden om het risico op brand, elektrische schok en persoonlijk letsel te beperken.

- Gebruik deze kachel nooit in de onmiddellijke nabijheid van een bad, een douche of een zwembad.
- Schakel de elektrische haard pas in totdat het goed is geïnstalleerd, zoals beschreven in de handleiding (wel is het belangrijk om de haard te testen alvorens deze wordt ingebouwd).
- Laat de elektrische haard nooit branden terwijl u weg bent.
- Laat de elektrische haard nooit aangesloten op het stroomnet terwijl u weg bent.
- De elektrische haard is bedoeld voor huishoudelijk gebruik en mag niet worden gebruikt voor industriële doeleinden.
- Gebruik de elektrische haard niet met natte handen.
- Gebruik de elektrische haard niet buiten.
- Gebruik de elektrische haard niet op of in de buurt van hete oppervlakten.
- De elektrische haard mag pas schoon gemaakt worden, als de elektrische haard is ontkoppeld van het netstroom/stopcontact en als de elektrische haard volledig is afgekoeld.
- Maak de elektrische haard nooit schoon met agressieve schoonmaakmiddelen.

- Gebruik nooit accessoires die niet zijn aanbevolen door Livn. Het kan gevaar opleveren voor de gebruiker of schade aan de elektrische haard.
- Deze kachel moet geaard zijn. Neem bij twijfel contact op met een hiervoor bevoegd persoon.
- Gebruik deze haard niet als vrijstaand toestel. Het moet altijd aan de muur, schouwombouw, etc. worden bevestigd.
- Om onbedoeld resetten van de thermische beveiliging te vermijden, dient dit toestel niet te worden verbonden aan een externe schakelinrichting, zoals een timer of verbonden circuit dat regelmatig aan en uit wordt geschakeld. Het toestel moet ten alle tijden direct aangesloten worden op een wandcontactdoos.
- Deze kachel mag niet direct onder een stopcontact worden gemonteerd.
- Dit apparaat mag worden gebruikt door kinderen vanaf 8 jaar en ouder en personen met verminderde lichamelijke, zintuiglijke of geestelijke vermogens of gebrek aan ervaring en kennis mits onder begeleiding of als ze goed worden geïnstrueerd over het gebruik van het apparaat op een veilige manier en ze begrijpen wat de gevaren zijn.
- Kinderen mogen niet met het apparaat spelen.
- Reiniging en onderhoud door kinderen boven de 8 jaar alleen onder toezicht.
- Kinderen onder 3 jaar moeten worden weggehouden van de kachel tenzij onder continue begeleiding van een ouder.
- Kinderen tussen 3 jaar en 8 jaar mogen alleen het apparaat aan/uit zetten, mits deze geïnstalleerd is zoals aangegeven in de handleiding en ze onder toezicht staan of worden geïnstrueerd over het gebruik van het apparaat op een veilige manier en begrijpen wat de mogelijke gevaren zijn. Kinderen tussen 3 jaar en 8 jaar mogen het apparaat niet aansluiten, regelen of reinigen, of hier onderhoud op uitvoeren.
- Sommige delen van dit apparaat kunnen zeer heet worden en brandwonden veroorzaken. Vooral kinderen en kwetsbare mensen moeten hiertegen beschermd worden door een verantwoord persoon.
- Gebruik dit apparaat NIET in kleine ruimten waar mensen aanwezig zijn die de kamer niet zelfstandig kunnen verlaten, tenzij er constant toezicht is.
- Bedek nooit de kachel, dit om oververhitting te voorkomen.
- Dit gemarkeerde figuur betekent: "WAARSCHUWING: NIET BEDEKKEN". 
- Gebruik de elektrische haard niet met een beschadigde stekker of snoer, na een storing, na een val of wanneer de haard op enige wijze is beschadigd. Controleer regelmatig of het snoer en de kachel geen beschadigingen hebben.
- Als de voedingskabel is beschadigd, moet deze door de fabrikant, een erkend servicecentrum of een professioneel persoon worden gerepareerd.
- Om de kans op brand uit te sluiten, houd alle brandbare materialen (waaronder meubels, gordijnen, textiel) op minimaal 1 meter afstand van het verwarmingselement.
- Zorg ervoor dat het netsnoer nooit over scherpe randen gaat, in aanraking komt met hete oppervlakten of in de knoop komt.
- Laat het netsnoer niet draaien onder tapijten, tapijten etc.
- De stekker moet altijd bereikbaar blijven na installatie.
- Dompel het product nooit in water andere vloeistoffen.
- Sluit de elektrische haard niet aan op een tijdschakelaar of een stroomvoorziening die regelmatig in- en uitschakelt door een programma.

- Koppel de haard niet los van de stroom wanneer deze in werking is. Gebruik de functies van de afstandsbediening om de haard uit te schakelen en zorg ervoor dat de hoofdschakelaar in de OFF (“o”) positie staat, voordat u de stekker uit het stopcontact haalt.
- Houd het elektra snoer weg van het verwarmingselement. Begeleid het elektra snoer nooit over de voorzijde van de haard.
- Gebruik de haard niet in een ruimte waar explosieve stoffen bewaard worden (zoals petroleum).
- Gebruik dit apparaat NIET als er zichtbare tekenen van schade aan het apparaat zijn.
- Gebruik dit apparaat NIET als het is gevallen.

1.2 Specificaties

Model no.:	Fey (EF248A)
Voedingsspanning:	AC 230-240V, 50 Hz, 1830-2000W
Maximaal verbruik:	2kW
Verbruik van vlameffect:	10.0W
Verbruik van brandbed-verlichting:	5.9W

Warmte opbrengst:

Nominale warmteopbrengst (Pnom):	2KW
Minimale warmteopbrengst (stand 1) (indicative) (Pmin):	1KW
Maximale warmteopbrengst (stand 2) (Pmax):	2KW

Elektriciteitsverbruik (zonder warmteopbrengst):

Bij nominale warmteafgifte (elmax):	12.5W
Bij minimale warmteafgifte (elmin):	12.0W
Stand-by modus (elSB):	0.49W

Type warmteafgifte / regeling van de kamertemperatuur

Single stage heat output and no room temperature control	No
Two or more manual stages, no room temperature control	No
With mechanic thermostat room temperature control	No
With electronic room temperature control	Yes
Electronic room temperature control plus day timer	Yes
Electronic room temperature control plus week timer	Yes

Andere besturingsopties

Room temperature control, with presence detection	No
Room temperature control, with open window detection	Yes
With distance control option	Yes
With adaptive start control	Yes
With working time limitation	No
With black bulb sensor	No

DEEL 2: INSTALLATIE

Benodigd gereedschap

Magnetische schroevendraaier
Boormachine

Inhoud van de verpakking





Montagematerialen, afstandsbediening, batterijen, gebruikshandleiding, elektrische inbouwhaard




2.1 Uitpakken van de haard



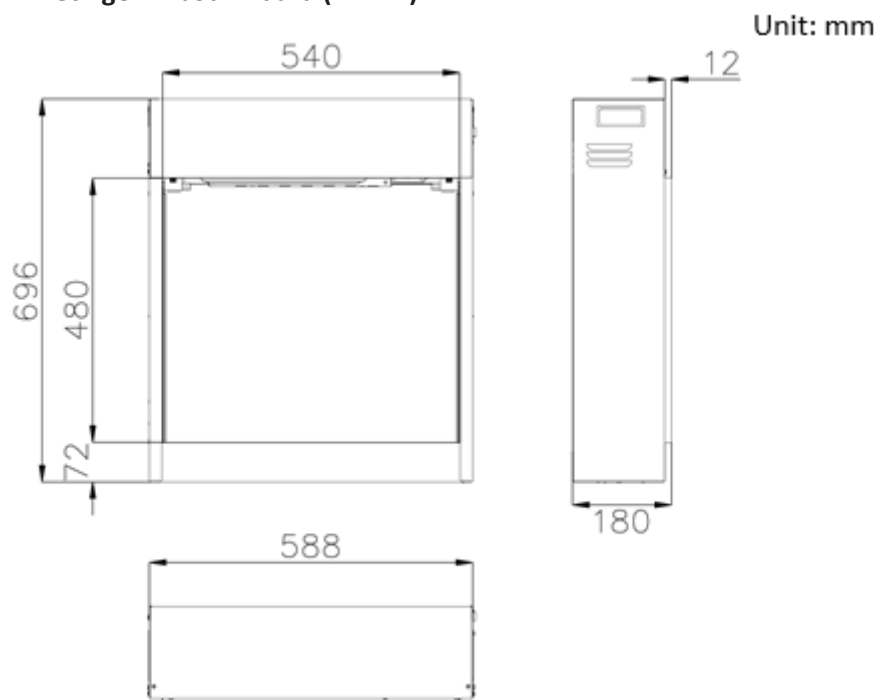
Waarschuwing! Gebruik het apparaat nooit als een van de onderdelen nat is geweest. Neem dan eerst contact op met een gekwalificeerd onderhoudstechnicus voor controle en/of vervanging van elektrische onderdelen indien nodig. Houd de plastic verpakking uit de buurt van kinderen.

- Open de verpakking voorzichtig en verwijder het schuim; controleer of het apparaat intact is, geen tekenen van transportschade vertoont en of geen enkel onderdeel ervan blootgesteld is geweest aan water. Neem het apparaat bij twijfel niet in gebruik en neem contact op met een erkend servicecentrum.
- Verwijder de plastic zak en gooi deze weg.
- Wees verantwoordelijk bij het hanteren van het verpakkingsmateriaal.
- Bewaar de originele verpakking want u heeft deze misschien nodig als u een klacht heeft over het product of als u het in de toekomst wilt transporteren en/of opslaan.
- Controleer of u alle onderdelen uit de verpakking heeft genomen voordat u de verpakking opbergt.
- Houd kleine kinderen uit de buurt voor en tijdens de installatie. Laat kleine kinderen niet in aanraking komen met de losse onderdelen tijdens montage.
- De elektrische haard kan bijna overal in huis geplaatst worden. Lees en volg de instructies zorgvuldig bij het kiezen van een locatie. Voor het beste resultaat, installeer de elektrische haard niet in direct zonlicht.
- Sluit het apparaat aan op een geaard stopcontact dat goed toegankelijk is, zodat u het apparaat gemakkelijk kunt loskoppelen.

 <p>Remote Handset (1)</p>	 <p>AAA Battery (2)</p>	 <p>Instruction (1)</p>	 <p>Mounting bracket (2)</p>
---	--	--	--

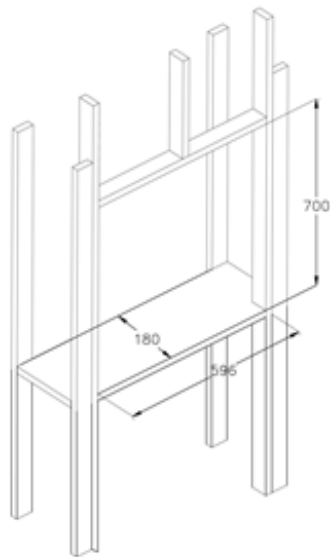
 <p>Screw ST4*12 (8)</p>	 <p>Resin Log (1 set)</p>	 <p>Grey stones(1 set)</p>	
---	--	---	--

2.2 Afmetingen inbouwhaard (in mm)

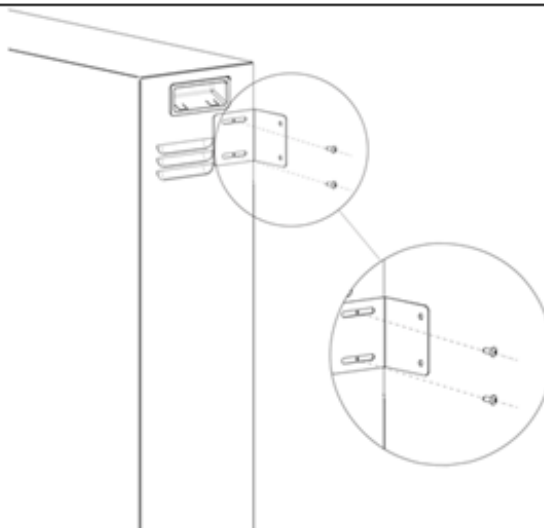


Het (evt.) maken van een frame voor de inbouwhaard

STAP 1.

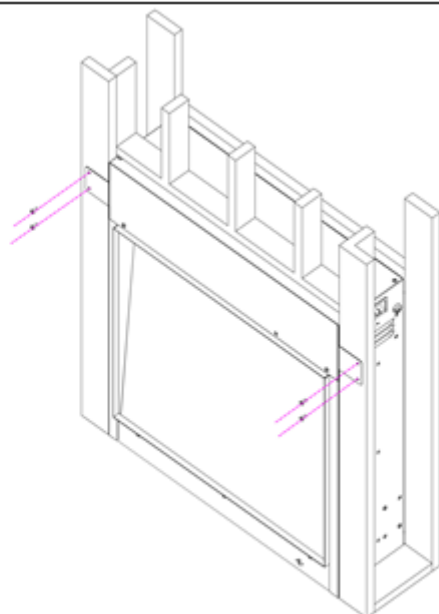


STAP 2.



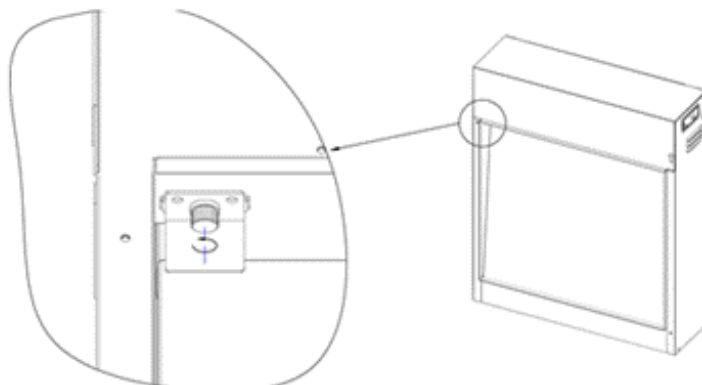
Neem de 2 montagebeugels en schroef deze op de inbouwhaard (met 4 stuks ST4x12 schroeven) aan zowel de linker- als rechterzijde.

STAP 3.



Schroef de montagebeugels vast aan het framework (4x ST4x12)

STAP 4.



Schroef de schroefjes in de hoeken los zodat de glasplaat loskomt. Haal het glas voorzichtig uit het frame.

STAP 5.



Leg de kiezelstenen en houtblokken onderin de haard en zorg voor een mooie compositie. Na het plaatsen van de houtblokken en stenen kan het glas weer voorzichtig teruggeplaatst worden. Schroef de schroefjes in de hoeken weer vast.

Opmerking: zorg ervoor dat u voldoende ruimte overlaat om de glasplaat of andere onderdelen te verwijderen en te vervangen.

DEEL 3: BEDIENINGSVOORSCHRIFTEN

WAARSCHUWING: Gebruik het apparaat niet als het beschadigd of defect is. Als u vermoedt dat het apparaat beschadigd is of niet goed werkt, neem dan contact op met een gekwalificeerde onderhoudsmonteur om het apparaat te laten inspecteren en vervang indien nodig onderdelen van het elektrische systeem voordat u het apparaat weer gebruikt.

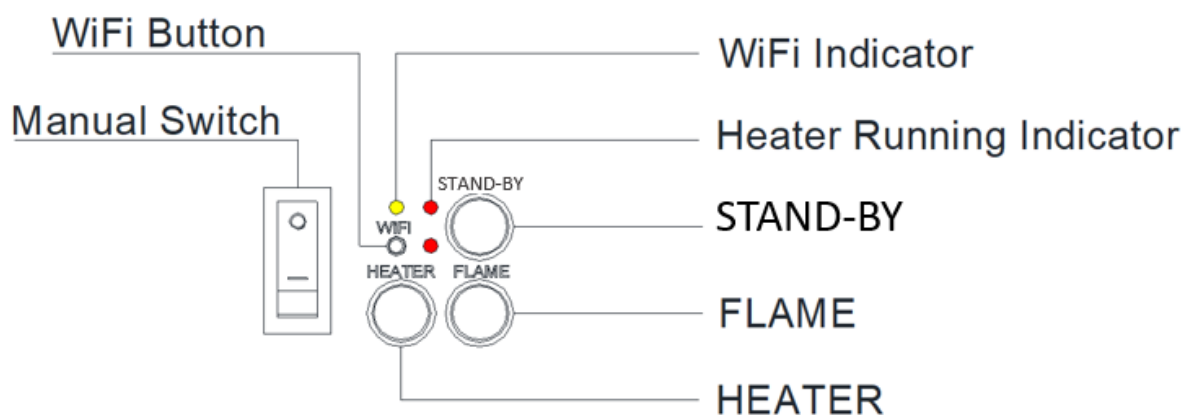
CONTROLEER of de stekker goed in het stopcontact past. Door slecht contact of een los zittende stekker kan het stopcontact oververhit raken.

De elektrische haard kan worden bediend door de schakelaars aan de rechter bovenzijde aan de voorkant van de elektrische haard of met de meegeleverde afstandsbediening. Zodra de elektrische haard is aangesloten op een geaard stopcontact, kan de Aan/Uit schakelaar worden ingeschakeld. Een pieptoon zal te horen zijn op het moment dat deze wordt ingeschakeld.

Belangrijk! Om zowel de handmatige bediening als de afstandsbediening te kunnen gebruiken moet de aan/uit schakelaar op "aan" staan.

Om oververhitting tegen te gaan, is er een vertraging van 10 seconden wanneer de verwarming wordt in- en uitgeschakeld.

3.1 Gebruiksaanwijzing handmatige bediening



Belangrijk! De handmatige functietoets heeft niet dezelfde uitgebreide mogelijkheden als de afstandsbediening. Het doel is om de belangrijkste functies te kunnen bedienen in geval de afstandsbediening verloren is. Gebruik de afstandsbediening om alle functies in- en uit te schakelen.

MANUAL SWITCH

Deze schakelaar zet de elektrische haard aan/uit. Deze knop moet naar de AAN positie staan om de functies van de haard, inclusief de afstandsbediening, te kunnen bedienen.

STAND-BY KNOP

Druk op "STAND-BY" om de Stand-by-modus in te schakelen.

FLAME KNOP

Door het indrukken van de vlam (Flame) knop kunnen 3 vlamkleuren gekozen worden. Druk 3 seconden op deze toets om de pieptoon te annuleren welke u hoort wanneer u op de toets drukt. Twee korte pieptonen geven aan dat het geluid is geannuleerd.

HEATER KNOP

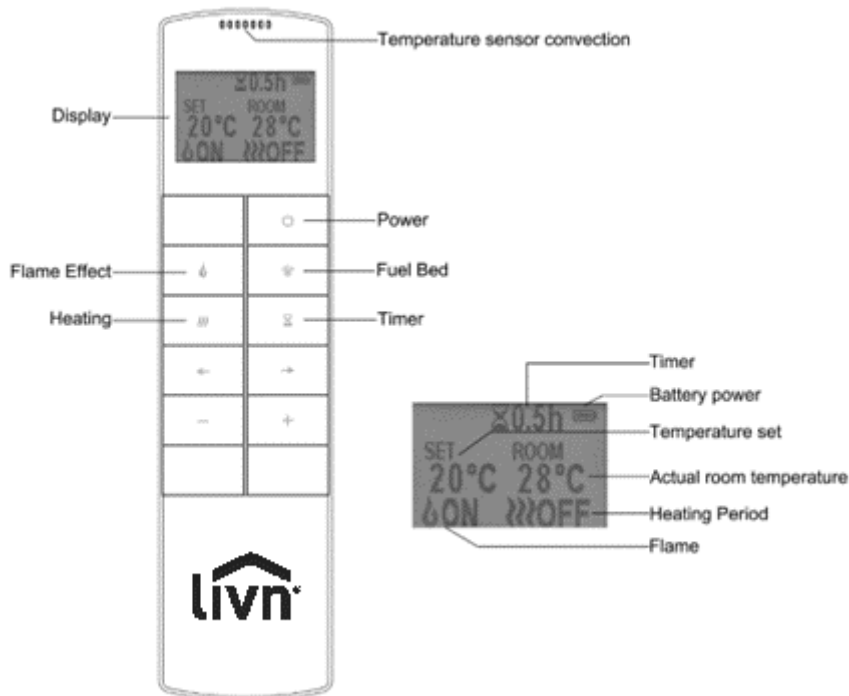
Druk op de "HEAT BUTTON" om te kiezen tussen de standen LOW (laag), HIGH (hoog) en OFF (uit).

WIFI KNOP

Druk op de WIFI-knop om naar de Wifi-modus te gaan.

3.2 Gebruiksaanwijzing afstandsbediening

- Zorg ervoor dat de batterijen juist gemonteerd zijn in de afstandsbediening.
- Het effectieve bereik van de afstandsbediening is tot 15 meter.




Belangrijk! Dit is een afstandsbediening met thermostaat. De afstandsbediening dient ten alle tijden in dezelfde ruimte te zijn als waar de haard zich bevindt en geplaatst te worden op een vlakke ondergrond. Daarnaast moet deze uit de buurt van de kachel worden geplaatst, zodat de hete lucht er niet op kan blazen en de thermostatische aflezing niet kan beïnvloeden.


De communicatie frequentie tussen de afstandsbediening en haard is automatisch voor ingesteld. Mocht de verbinding zijn verbroken volg dan stap 3.2.16.

Aan- uit zetten van de haard


3.2.1 Druk op  om de haard met het vlammeffect en heater in of uit te schakelen.

3.2.2 Druk op  om de automatische modus uit te schakelen wanneer de verwarming in de AUTO-verwarmingsmodus staat.

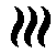
Vlameffect

- 3.2.3 Druk op  om de vlammen in of uit te schakelen.
- 3.2.4 Druk op de '←' of '→' knop om een van de drie vlaminstellingen of OFF te selecteren.
- 3.2.5 Druk op de '+' en '-' knop om een van de 5 vlamintensiteiten te selecteren of de vlam uit te zetten.



Vlambed kleuraanpassing

- 3.2.6 Druk op  om in het vlambed in of uit te schakelen.
- 3.2.7 Druk op '←' en '→' om een van de 9 verschillende vlambed kleuren te selecteren of deze uit te zetten.
- 3.2.8 Druk op de '+' en '-' knop om een van de 5 licht intensiteiten te selecteren of deze uit te zetten.

Verwarmingsfunctie

- 3.2.9 Druk op  om de verwarming aan te zetten. Er zijn 4 verwarmingsstanden: LOW, HIGH, OFF en AUTO.
- 3.2.10 Druk op de '+' en '-' toets om de temperatuur in te stellen van 5-40°C.

Timerfunctie

- 3.2.11 Druk op  om de timer aan te zetten.
- 3.2.12 Druk eerst op  om de tijd in te stellen op 0,5H, druk dan nogmaals op de knop om te wisselen tussen 1H, 2H, 3H,4H, 5H, 6H, 7H, 8H, 9H, 10H, OFF.
- 3.2.13 Terwijl het verwarmingselement in de AUTO-modus staat, stelt u de timer in om alle functies UIT te schakelen, inclusief de AUTO-verwarmingsmodus.

Detectie van ramen open

- 3.2.14 Als de afstandsbediening veel luchtstroom in de ruimte detecteert, zal deze de waarschuwing 'window open' tonen. De warmtefunctie wordt dan automatisch uitgeschakeld.
- 3.2.15 Wanneer de temperatuur binnen weer is gestegen of na een handmatige opheffing van de waarschuwing (via afstandsbediening), keert de verwarmingsfunctie terug naar de normale werking.



Instellen van frequentie tussen haard en afstandsbediening

- 3.2.16 De onderstaande bewerkingen moeten worden uitgevoerd voor het programmeren, wanneer wordt overgeschakeld naar een nieuwe afstandsbediening of als het apparaat niet kan worden bediend door de afstandsbediening:
- Houd de POWER ON/OFF knop op het apparaat gedurende 3 seconden ingedrukt, tot u 2 korte pieptonen hoort van het apparaat.
 - Druk vervolgens binnen 10 seconden op de POWER ON/OFF knop op de afstandsbediening, het programmeren is voltooid als u een lang geluidssignaal hoort van het apparaat.
- 3.2.17 Het resetten van de code voor afstandsbediening is noodzakelijk als het apparaat verkeerd werkt of de afstandsbediening niet correct werkt.
- Open de achterklep van de afstandsbediening.
 - Druk op de Reset-knop op de afstandsbediening (zie afbeelding rechts).



DEEL 4: ONDERHOUD



Waarschuwing: Voordat onderhoud aan en/of het schoonmaken van de buitenzijde van de elektrische haard, moet de stekker uit het stopcontact worden gehaald. De elektrische haard even laten afkoelen, wanneer deze direct daarvoor heeft aangestaan.

4.1 AFSTANDSBEDIENING

Volle batterij

Halfvolle batterij

Batterijen zijn leeg en dienen direct vervangen te worden

Na 1 jaar wordt het aangeraden om de batterijen te vervangen. In de afstandsbediening gaan AAA-batterijen. Breng lege batterijen naar een inzamelpunt.

4.2 Reiniging van de elektrische haard

U kunt de buitenkant van de open haard met een zachte, vochtige, niet-pluizende doek. Gebruik geen schoonmaakmiddelen of gepolijste producten. Voor het verwijderen van vingerafdrukken of andere vlekken op de voorzijde van het glazen paneel, gebruik dan een zachte, vochtige, pluivrije doek met een goede kwaliteit huishoudelijke glasreiniger. De voorste ruit moet altijd volledig worden gedroogd met een schone, niet-pluizende doek of papieren handdoek.



Let op: Gebruik geen schuurmiddelen op het glazen paneel. Spuit geen vloeistoffen direct op elk oppervlak van het toestel.



Waarschuwing: een erkende monteur moet ander onderhoud uitvoeren.

4.3 Milieu



Gooi elektrische apparaten niet weg als ongesorteerd gemeentelijk afval, maar gebruik aparte inzamelingsvoorzieningen. Raadpleeg uw lokale overheid voor informatie over de collectie-systemen die beschikbaar zijn. Als elektrische apparaten worden weggegooid op stortplaatsen, kunnen gevaarlijke stoffen in het grondwater lekken en in de voedselketen terechtkomen, waardoor uw gezondheid en welzijn worden geschaad. Bij het vervangen van oude apparaten door nieuwe is de winkelier wettelijk verplicht om uw oude apparaat ten minste kosteloos terug te nemen voor verwijdering.



Deze haard voldoet aan de veiligheidsnormen EN 60335-1 en EN 60335-2-30 die betrekking hebben op de essentiële vereisten van de laagspanningsrichtlijn 2014/35/EU en de EMC-normen EN 55014-1; EN 55014-2; EN 61000-3-2 en EN 61000-3-3, die de essentiële vereisten van de Europese elektromagnetische compatibiliteit 2014/30/EU en de RED-normen EN300220-2, EN301489-1, EN301489-3 en EN6247 dekt, die de essentiële eisen dekt vereisten van de Europese Radioapparatuurrichtlijn 2014/53/EU.

GIMEG Nederland B.V. – Atoomweg 99 – 3542 AA – Utrecht – Nederland

Control System Technical Data			
	Main control board	Wi-Fi Module	Remote Control
Hardware	RC01-055B00 V0	WR3 V1.0	RF290H V1.1
Software/Logiciel	TC01-055B01 V0	/	RCS19-V01.06
Frequency	FSK 433.92MHz	2.4GHz	FSK 433.92MHz
Maxmium Transmit Power	10mW	100mW	10mW

Veillez lire attentivement le manuel d'instructions avant d'installer ou d'utiliser la cheminé électrique, et veuillez le conserver pour référence future. Ce manuel fait partie intégrante du produit et doit être conservé. En cas de vente à un tiers, ce manuel doit être fourni avec le produit. Nous déclinons toute responsabilité et la garantie ne s'appliquera pas en cas d'utilisation inadéquate ou de non-respect des consignes de sécurité. Pour une assistance ou des informations complémentaires, veuillez contacter un technicien qualifié, l'assistance technique ou le point de vente.

SECTION 1 : AVERTISSEMENTS ET CARACTÉRISTIQUES ÉLECTRIQUES

1.1 Consignes de sécurité importantes



Ce symbole vous signale les dangers potentiels qui peut tuer ou vous blesser et / ou d'autres.

NE PAS FAIRE :


- Installer ou utiliser la chauffe endommagée.
- Modifier chauffe.
- Fonctionner le chauffe-eau sans montage entièrement tous les composants.

ATTENTION !



Une installation, un réglage, une modification, un service ou d'entretien peuvent causer des blessures ou des dommages matériels. Reportez-vous au manuel d'information du propriétaire fourni avec cet appareil. Pour de l'aide ou des renseignements supplémentaires, consultez un installateur qualifié, un service agence ou votre revendeur.

- Ne pas utiliser cet appareil dans les environs immédiats d'une baignoire, d'une douche ou d'une piscine.
- N'utilisez pas le foyer électrique tant qu'il n'a pas été correctement installé, comme décrit dans le manuel (cependant, il est important de tester le foyer avant de l'encastrier).
- Ne plongez jamais le produit dans l'eau ou dans d'autres liquides.
- N'utilisez pas le foyer électrique à l'extérieur.
- N'utilisez pas le foyer électrique sur ou à proximité de surfaces chaudes.
- Cet appareil doit être relié à la terre. En cas de doute consulter une personne compétente appropriée.
- Cet appareil ne doit pas être situé immédiatement en dessous d'une prise de courant.
- Cet appareil peut être utilisé par des enfants âgés de 8 ans et plus et des personnes dont les capacités physiques, sensorielles ou mentales ou manquant d'expérience et de connaissances si elles ont été formées et encadrées pour l'utilisation de cet appareil en toute sécurité et de comprendre la risques encourus.
- Afin d'éviter un risque dû à la remise à zéro accidentelle de la découpe thermique, cet appareil ne doit pas être alimenté par un dispositif de commutation externe, comme une minuterie, ou connectée à un circuit qui est régulièrement allumé et éteint par l'utilitaire.
- Placez le foyer électrique à une distance d'au moins 1 mètre des meubles, rideaux et autres matériaux inflammables.

- Le foyer électrique est conçu pour un usage domestique et ne doit pas être utilisé à des fins industrielles.
- Ne pas utiliser le foyer électrique avec les mains mouillées.
- Ne laissez jamais le foyer électrique allumé lorsque vous êtes absent.
- Ne laissez jamais le foyer électrique branché sur le réseau électrique lorsque vous êtes absent.
- Les enfants ne doivent pas jouer avec l'appareil.
- L'appareil doit être branché à une prise électrique mise à la terre et facilement accessible pour pouvoir le débrancher.
- N'utilisez pas ce foyer comme appareil autonome. Il doit toujours être fixé au mur, au habillage de cheminée, etc.
- Nettoyage et entretien utilisateur ne sont pas fabriqués par des enfants sans surveillance.
- Les enfants de moins de 3 ans doivent être tenus à l'écart sans surveillance en continu.
- Les enfants âgés de 3 ans et moins de 8 ans doivent seulement allumer /éteindre l'appareil à condition qu'il ait été placé ou installé dans sa position normale de fonctionnement prévu et ils sont sans surveillance ou instruction concernant l'utilisation de l'appareil en toute sécurité et de comprendre les risques encourus. Les enfants âgés de 3 ans et moins de 8 ans ne sont pas brancher, de régler et nettoyer l'appareil ou d'effectuer la maintenance utilisateur.
- Certaines parties de ce produit peuvent devenir très chaude et causer des brûlures. Une attention particulière doit être donnée où les enfants et les personnes vulnérables sont présents.
- N'utilisez PAS l'appareil dans des pièces de petite taille en présence de personnes incapables d'en sortir par leurs propres moyens, sauf si une surveillance constante est assurée.
- Ne pas couvrir : Afin d'éviter une surchauffe, ne pas couvrir le radiateur.
- Le sens du chiffre dans le marquage est "ATTENTION : NE PAS COUVRIR". 
- N'utilisez pas le foyer électrique avec une prise ou un cordon électrique endommagé, après une panne, après une chute ou lorsqu'il a été endommagé d'une quelconque façon. Contrôlez régulièrement si le cordon électrique ne présente aucun endommagement.
- Si le cordon d'alimentation est endommagé, il doit être réparé par le fabricant, son centre de service autorisé ou une personne professionnelle.
- Ne nettoyez jamais le foyer électrique avec des détergents mordants.
- N'utilisez jamais d'accessoires qui ne soient recommandés par Livn. Il pourrait en résulter un danger pour l'utilisateur ou des dommages au foyer électrique.
- Veillez à ce que le cordon électrique ne passe jamais sur des bords tranchants ou n'entre jamais en contact avec des surfaces chaudes ni ne s'emmêle.
- Ne débranchez pas l'alimentation électrique du foyer lorsqu'il est en marche. Utilisez les fonctions de la télécommande pour arrêter le foyer électrique et assurez-vous que l'interrupteur principal est en position OFF (« o ») avant de débrancher la fiche de la prise électrique.
- Le foyer électrique ne peut être nettoyé que lorsqu'il est déconnecté du réseau électrique/de la prise de courant et lorsque le foyer électrique est entièrement refroidi.
- Ne faites pas passer le cordon électrique sous des tapis, carpettes, etc.
- Gardez la fiche d'alimentation accessible après l'installation.
- Ne branchez pas le foyer électrique sur un temporisateur ou un dispositif électrique qui s'allume et s'éteint régulièrement via un programme.

- Maintenez le cordon électrique éloigné de l'élément chauffant. Ne faites jamais passer le cordon électrique par-dessus le devant du foyer.
- N'utilisez pas le foyer dans une pièce où se trouvent des substances explosives (telles que du pétrole).
- N'utilisez PAS l'appareil s'il présente des signes visibles de dommage.
- N'utilisez PAS cet appareil s'il a chuté.

1.2 Spécifications

Model No.:	Fey (EF248A)
Tension:	AC 230-240V, 50Hz, 1830-2000W
Maximum power consumption:	2KW
Watts au flame:	10.0W
Watts au fuel bed:	5.9W

Heat Output:

Nominal heat output (Pnom):	2KW
Minimum heat output(indicative) (Pmin):	1KW
Maximum continuous heat output (Pmax):	2KW

Auxiliary Electricity Consumption:

At nominal heat output (elmax):	12.5W
At minimum heat output (elmin):	12.0W
In standby mode (eISB):	0.49W

Type of heat output / room temperature control

Single stage heat output and no room temperature control	No
Two or more manual stages, no room temperature control	No
With mechanic thermostat room temperature control	No
With electronic room temperature control	Yes
Electronic room temperature control plus day timer	Yes
Electronic room temperature control plus week timer	Yes

Other Control Options

Room temperature control, with presence detection	No
Room temperature control, with open window detection	Yes
With distance control option	Yes
With adaptive start control	Yes
With working time limitation	No
With black bulb sensor	No

SECTION 2 : INSTALLATION

Outils nécessaires

Magnétique Phillips tournevis





Marteau rotatif




2.1 Déballage du Foyer



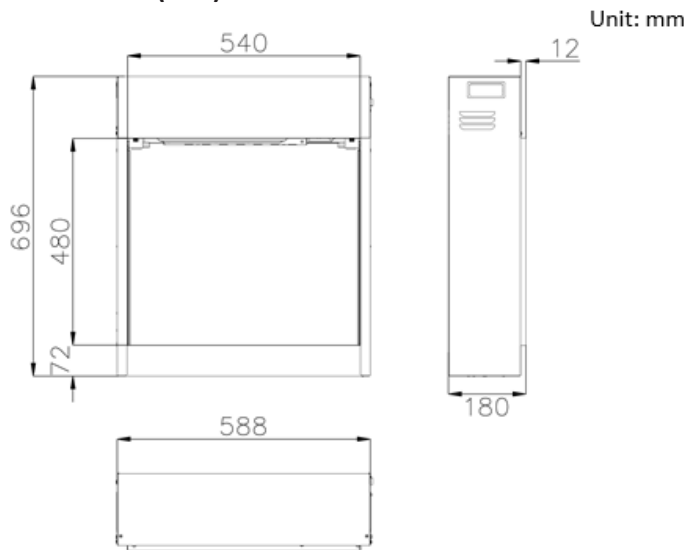
ATTENTION ! Ne pas utiliser cet appareil si une partie quelconque a été submergée appelez immédiatement un technicien de service qualifié pour inspecter et pour remplacer toute pièce de l'électrique système si nécessaire.

- Gardez en plastique enveloppant la portée des enfants.
- Ouvrez l'emballage avec précaution et retirez la mousse ; assurez-vous que l'appareil est intact, qu'il ne présente pas de signes de dommage causé par le transport et qu'aucune partie n'a été exposée à l'eau. En cas de doute, n'utilisez pas l'appareil et contactez un centre de maintenance agréé.
- Retirez et jetez le sac en plastique.
- Être responsable lors de la manipulation des matériaux d'emballage.
- Conservez l'emballage d'origine, car vous pourriez en avoir besoin si vous avez une réclamation au sujet du produit ou à des fins de transport et/ou entreposage futur.
- Assurez-vous que tous les éléments ont été retirés de l'emballage.
- Maintenir les enfants à l'écart avant et pendant le montage. Ne pas laisser les petits enfants toucher aux pièces détachées.
- Votre nouveau foyer électrique peut être installé pratiquement partout dans la maison. Toutefois, lorsque vous choisissez un emplacement, les instructions générales suivantes doivent être attentivement lues et respectées. Pour le meilleur résultat, veuillez ne pas installer le foyer électrique exposé directement à la lumière du soleil.
- L'appareil doit être connecté sur une prise électrique mise à la terre, qui doit être facilement accessible pour pouvoir débrancher l'appareil.

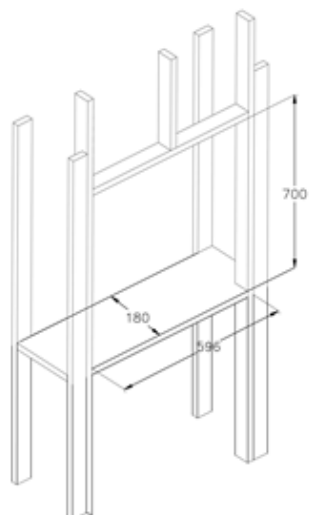
 <p>Remote Handset (1)</p>	 <p>AAA Battery (2)</p>	 <p>Instruction (1)</p>	 <p>Mounting bracket (2)</p>
---	--	--	--

 <p>Screw ST4*12 (8)</p>	 <p>Resin Log (1 set)</p>	 <p>Grey stones(1 set)</p>	
---	--	---	--

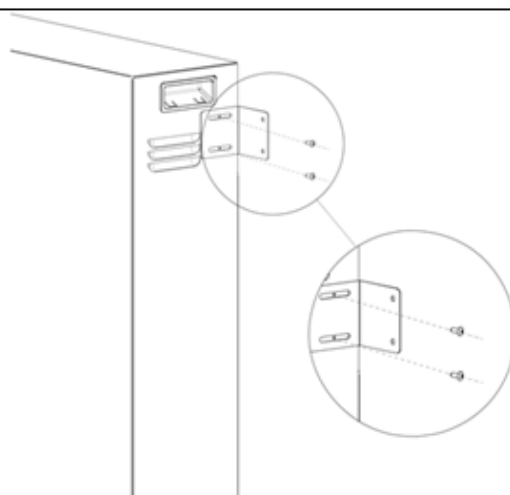
2.2 Dimensions (mm)



ÉTAPE 1.

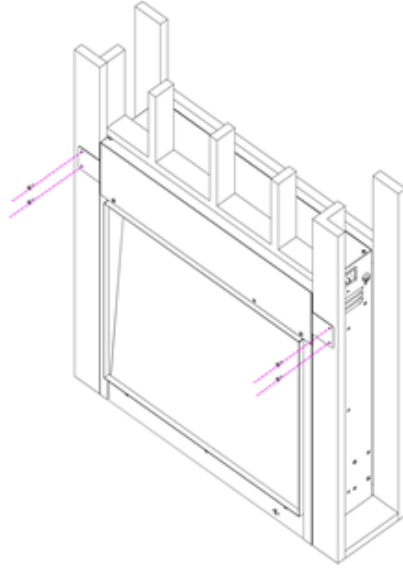


ÉTAPE 2.



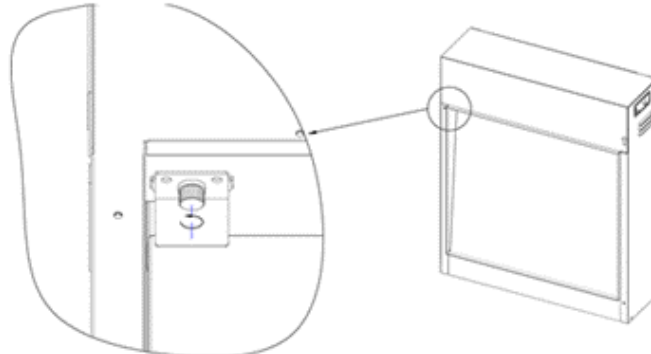
Retirez les 2 support de fixation et les vis 4pcs ST4x12 pour les fixer sur le panneau latéral gauche et droit de l'unité.

ÉTAPE 3.



Utilisez 4 vis ST4x12 pour fixer le foyer sur le cadre, comme illustré à la figure 3

ÉTAPE 4.



Sortez délicatement la garniture, retirez la vis des deux côtés et utilisez le crochet en verre pour retirer le verre avec précaution.

ÉTAPE 5.



Étaler soigneusement les pierres grises sur le lit de carburant. Disposez ensuite les bûches le long du rebord de la fenêtre encastrée à l'avant de la chambre de combustion. Remplacez le verre. Serrez bien les vis des coins.

SECTION 3 : MODE D'EMPLOI

ATTENTION : n'utilisez pas l'appareil s'il est endommagé ou s'il a subi une défaillance. Si vous soupçonnez l'appareil d'être endommagé ou d'avoir subi une défaillance, appelez un technicien de maintenance pour inspecter l'appareil, et remplacez toute pièce du système électrique le cas échéant, avant de réutiliser l'appareil.

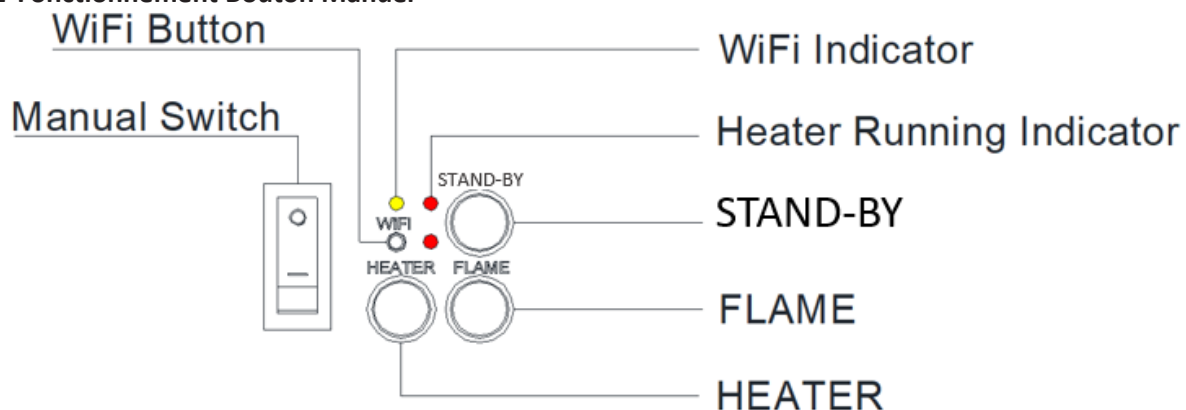
ASSUREZ-VOUS que la fiche s'adapte parfaitement dans la prise. Des connexions de prise murale défectueuses ou des fiches mal insérées peuvent provoquer une surchauffe de la prise de courant.

REMARQUE : Veillez à laisser suffisamment d'espace pour retirer et remplacer l'écran avant ou le panneau avant optionnel.

Cet appareil peut être utilisé à la fois par la télécommande et le bouton manuel. Une fois que l'appareil est correctement connecté à une prise électrique mise à la terre, allumez l'interrupteur principal situé sur le côté gauche de l'appareil. Un signal sonore doit être entendu lors de la première mise sous tension.

REMARQUE ! Pour utiliser les fonctions de la télécommande et manuel le manuel interrupteur marche / arrêt doit être en 'ON' la position. Afin de protéger le produit ne devienne trop chaud, il y a retard 10 secondes.

3.1 Fonctionnement Bouton Manuel



REMARQUE ! Le bouton manuel sur l'unité de la boîte à feu vous donne pas tous les contrôles de fonction, et son proposer est de contrôler certaines fonctions de base lorsque vous perdez la télécommande. S'il vous plaît utiliser la main à distance fixé pour mener à bien toutes les fonctions

MANUAL SWITCH (INTERRUPTEUR MANUEL)

Cet interrupteur permet d'appareil on / off.

MANUEL DE STAND-BY

En appuyant sur le bouton STAND-BY pour passer en mode veille.

FLAME (BOUTON DE LA FLAMME)

En appuyant sur le bouton d'effet de flamme de l'unité permet de faire défiler effet de flamme (3 couleurs et OFF). Si vous avez besoin pour contrôler les effets de contre-jour, veuillez utiliser la télécommande. Appuyez le bouton FLAME pendant 3 secondes pour annuler le bip sonore à chaque fois que vous appuyez sur le bouton, deux bips courts indiquent qu'il est annulé.

HEATER

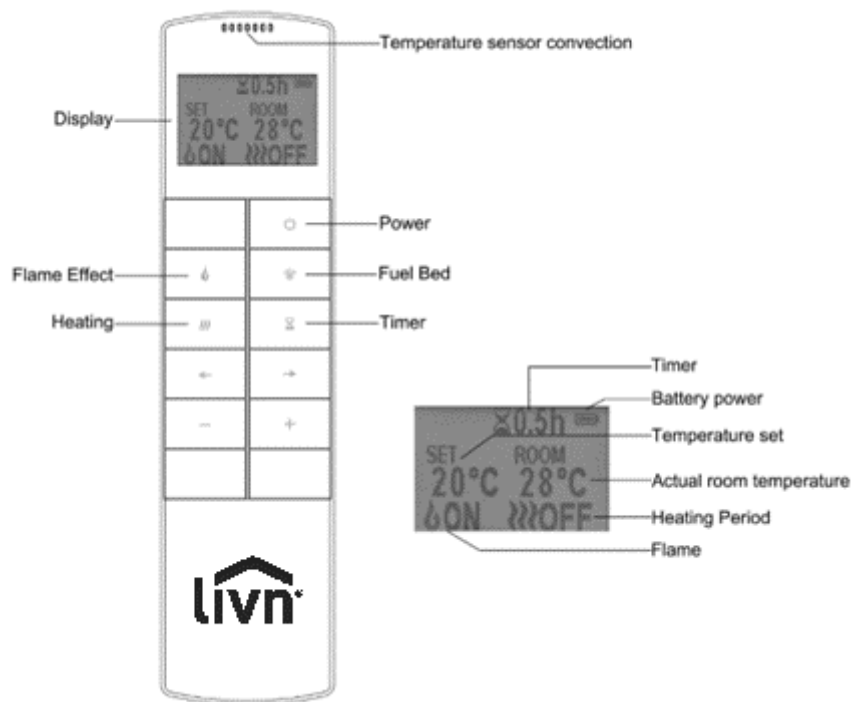
En appuyant sur le bouton HEATER de faire défiler les modes de chauffage LOW, HIGH et OFF.

WIFI

En appuyant sur le bouton WIFI pour passer en mode Wifi.



3.2 Mode d'emploi de la télécommande

- Veillez à ce que les piles soient montées correctement dans la télécommande.
- La portée effective de la télécommande s'étend jusqu'à 15 mètres.




Important ! Il s'agit d'une télécommande avec thermostat. La télécommande doit se trouver à tout moment dans la pièce où se situe le poêle et elle doit être placée sur une surface plane. La fréquence de communication entre la télécommande et le poêle est pré réglée automatiquement. Si la connexion est interrompue, suivez les instructions de l'étape 3.2.15.


Mise en marche/arrêt du poêle

- 3.2.1 Appuyez sur  pour mettre en marche le poêle avec l'effet de flammes, ou pour arrêter le poêle.
- 3.2.2 Appuyez sur  pour mettre en marche ou arrêter le poêle avec l'effet de flammes, avec le mode quotidien ou hebdomadaire.


Effet de flammes

- 3.2.3 Appuyez sur  pour allumer/éteindre de flammes.
- 3.2.4 Appuyez sur les boutons « ← » et « → » afin de sélectionner l'un des 3 réglages de flammes ou OFF.
- 3.2.5 Appuyez sur les boutons « + » et « - » pour sélectionner de intensités de flamme.



Éclairage de fond

- 3.2.6 Appuyez sur le bouton  pour accéder au menu d'éclairage de fond
- 3.2.7 Appuyez sur « ← » et sur « → » pour sélectionner l'une des 9 couleurs de fond différentes ou OFF.
- 3.2.8 Appuyez sur les boutons « + » et « - » pour sélectionner l'une des 5 niveaux de luminosité ou pour désactiver la fonction.

Ajustement de la température

- 3.2.9 Appuyez sur le bouton  pour allumer le chauffage. Le 4 modes de chauffage : LOW, HIGH, OFF et AUTO.
- 3.2.10 Appuyez sur le bouton « + » ou « - » pour régler la température de 5 à 40°C,

Minuterie / Timer

- 3.2.11 Appuyez sur le bouton  pour mettre en marche la minuterie.
- 3.2.12 Appuyez d'abord sur le bouton  pour régler le temps à 0.5H. Ensuite, appuyez à nouveau sur le bouton pour faire défiler 1H, 2H, 3H, 4H, 5H, 6H, 7H, 8H, 9H, 10H, OFF.
- 3.2.13 Lorsque le chauffage est en mode AUTO, réglez la minuterie pour éteindre toutes les fonctions, y compris le mode AUTO du chauffage.

Détection de fenêtres ouvertes

- 3.2.14 Lorsque la télécommande détecte un courant d'air important, elle émet un avertissement de fenêtre ouverte. La fonction de chauffage est alors activée automatiquement.



Réglage de la fréquence entre le poêle et la télécommande

- 3.2.15 Les opérations ci-dessous doivent être exécutées pour la programmation, lorsque vous passez à une nouvelle télécommande ou lorsque l'appareil ne peut pas être commandé par la télécommande :
- Maintenez le bouton POWER ON/OFF (réinitialisation) sur l'appareil enfoncé pendant 3 secondes jusqu'à ce que l'appareil émette 2 signaux sonores brefs. À ce moment, relâchez le bouton.
 - Ensuite, dans les 10 secondes qui suivent, appuyez sur le bouton POWER ON/OFF de la télécommande, la programmation est achevée lorsque l'appareil émet un signal sonore long.
 - Si ce n'est pas le cas, répétez les étapes ci-dessus.
- 3.2.16 La réinitialisation du code pour la télécommande est nécessaire si l'appareil ou la télécommande fonctionne de manière incorrecte.
- Ouvrez le couvercle à l'arrière de la télécommande.
 - Appuyez sur le bouton Reset sur la télécommande.



SECTION 4 : ENTRETIEN



Avertissement : Avant l'entretien et/ou le nettoyage de l'extérieur du poêle électrique, la fiche doit être retirée de la prise de courant. Laissez d'abord refroidir le poêle.

4.1 TÉLÉCOMMANDE

Pile pleine

Pile à moitié pleine

Les piles sont vides et doivent être remplacées immédiatement

Au bout de 1 an, il est recommandé de remplacer les piles. La télécommande accueille des piles AAA. Apportez les piles vides à un point de collecte.

4.2 Nettoyage du poêle électrique

Vous pouvez nettoyer l'extérieur du poêle avec un chiffon doux, humide, non pelucheux. N'utilisez pas de détergent ni de produits à polir. Pour éliminer les traces de doigts ou autres taches sur le panneau avant en verre, utilisez un chiffon doux, humide, exempt de peluches, avec un nettoyant pour vitres domestique de bonne qualité. La vitre avant doit toujours être complètement séchée avec un chiffon propre non pelucheux ou une serviette en papier.



Attention : N'utilisez pas de produits abrasifs sur le panneau en verre. Ne pulvérisez pas de liquides directement sur la surface de l'appareil.



Avertissement : toute autre tâche de maintenance doit être exécutée par un mécanicien agréé.

4.3 Environnement



Jetez les appareils électriques en tant que déchets non triés, utilisez des équipements de collecte séparée. Consultez votre administration locale pour des informations sur les systèmes de collecte disponibles. Si des appareils électriques sont jetés dans des décharges, des substances dangereuses peuvent s'échapper dans la nappe phréatique et se retrouver dans la chaîne alimentaire, provoquant des dégâts au niveau de votre santé et de votre bien-être. Lors du remplacement d'anciens appareils par des appareils neufs, le commerçant est tenu légalement de reprendre votre ancien appareil à des fins de désinvestissement, au minimum à titre gratuit.



Ce poêle répond aux normes de sécurité EN 60335-1 et EN 60335-2-30 qui concernent les exigences essentielles de la Directive basse tension 2014/35/EU et aux normes CEM EN 55014-1, EN 55014-2, EN 61000-3-2 et EN 61000-3-3, qui couvrent les exigences essentielles de la norme européenne de compatibilité électromagnétique 2014/30/EU, et aux normes RED EN300220-2, EN301489-1, EN301489-3 et EN6247, qui couvrent les exigences essentielles de la directive européenne relative aux équipements radio 2014/53/EU.

GIMEG Nederland B.V. – Atoomweg 99 – 3542 AA – Utrecht – Pays-Bas

Control System Technical Data			
	Main control board	Wi-Fi Module	Remote Control
Hardware	RC01-055B00 V0	WR3 V1.0	RF290H V1.1
Software/Logiciel	TC01-055B01 V0	/	RCS19-V01.06
Frequency	FSK 433.92MHz	2.4GHz	FSK 433.92MHz
Maxmium Transmit Power	10mW	100mW	10mW

Wichtig:

Lesen Sie das Benutzerhandbuch bitte sorgfältig durch, bevor Sie den elektrischen Kamin installieren oder verwenden, und bewahren Sie es als Nachschlagewerk für die Zukunft auf. Dieses Handbuch gilt als Bestandteil des Geräts und muss auch mit diesem zusammen aufbewahrt werden. Wenn das Gerät an einen Dritten verkauft wird, muss dieses Handbuch gemeinsam mit dem Produkt übergeben werden. Bei unsachgemäßem Umgang mit dem Gerät oder der Nichtbeachtung der Sicherheitshinweise wird jegliche Haftung ausgeschlossen und die Garantie verfällt. Wenn Sie Hilfe oder weitere Informationen benötigen, wenden Sie sich bitte an einen qualifizierten Techniker, den Helpdesk oder Ihren Händler.

ABSCHNITT 1: WARNUNGEN UND ELEKTRISCHE SPEZIFIKATIONEN

1.1 Wichtige Sicherheitshinweise



Dieses Symbol warnt Sie vor möglichen Gefahren das kann töten oder verletzen und / oder anderen.

NICHT:

- Installieren oder betreiben beschädigte Heizung
- Änderung Heizung
- Betreiben Sie das Heizgerät ohne voll Montage aller Komponenten

WARNUNG!




Bei der Verwendung von elektrischen Heizungen, sollten stets grundlegende Vorsichtsmaßnahmen getroffen, um das Risiko von Feuer, Stromschlag und Verletzungen von Personen, einschließlich der folgenden Reduzieren:

WARNUNG!



Unsachgemäße Installation, Einstellung, Veränderung oder Wartung kann zu Verletzungen oder Sachschäden führen. Siehe an den Eigentümer der Informationen manuell mit dieser Heizung vorgesehen. Für Hilfe oder weitere Informationen konsultieren Sie einen qualifizierten Installateur, Service Agentur oder Ihren Händler.

- Verwenden Sie nicht diese Heizung in der unmittelbaren Umgebung einer Badewanne, einer Dusche oder eines Schwimmbeckens.
- Tauchen Sie das Gerät nie in Wasser oder anderen Flüssigkeiten unter.
- Der Elektrokamin darf erst dann eingeschaltet werden, wenn er wie in der Anleitung beschrieben richtig installiert ist (es ist jedoch wichtig, den Kamin zu testen bevor es eingebaut wird).
- Der Elektrokamin darf nie mit nassen Händen verwendet werden.
- Der Elektrokamin darf nicht im Freien verwendet werden.
- Die Heizung muss geerdet werden. Im Zweifelsfall konsultieren Sie einen geeigneten zuständigen Person.
- Benutzen Sie diesen Kamin nicht als freistehendes Gerät. Es sollte immer an der Wand, Kaminumbau usw. befestigt werden.

- Um eine Gefährdung durch unbeabsichtigtes Rücksetzen des Temperaturbegrenzers zu vermeiden, kann dieses Gerät nicht über eine externe Schaltvorrichtung, wie zum Beispiel einen Zeitgeber, angeschlossen werden, oder mit der Steuerschaltung, die regelmäßig ein- und ausgeschaltet durch Gebrauchsmuster.
- Das Heizgerät darf nicht unmittelbar unter einer Steckdose befinden.
- Das Gerät kann von Kindern ab 8 Jahren und darüber und Personen mit eingeschränkten physischen, sensorischen oder geistigen Fähigkeiten oder mangels Erfahrung und Wissen, wenn sie wurden Aufsicht oder ausführliche Anleitung zur Benutzung des Geräts in einer sicheren Weise gegeben Jahren verwendet werden und zu verstehen, die damit verbundenen Gefahren.
- Kinder dürfen nicht mit dem Gerät spielen.
- Zwischen dem Elektrokamin und Möbeln, Gardinen und anderem brennbarem Material muss ein Abstand von mindestens 1 m eingehalten werden.
- Lassen Sie den Elektrokamin nie unbeaufsichtigt brennen.
- Lassen Sie den Elektrokamin nie unbeaufsichtigt an das Stromnetz angeschlossen zurück.
- Der Elektrokamin ist für den häuslichen Gebrauch bestimmt und darf nicht zu industriellen Zwecken verwendet werden.
- Bevor der Elektrokamin gereinigt werden darf, muss er erst vom Stromnetz bzw. von der Steckdose getrennt werden. Außerdem muss er erst völlig ausgekühlt sein.
- Reinigen Sie den Elektrokamin nie mit aggressiven Reinigungsmitteln.
- Verwenden Sie kein Zubehör, das nicht von Livn empfohlen wird. Dies kann für den Benutzer des Elektrokamins gefährlich sein oder Schäden am Kamin verursachen.
- Der Elektrokamin darf nicht auf oder in der Nähe von heißen Oberflächen verwendet werden.
- Reinigung und Wartung durch den Benutzer ist nicht von Kindern ohne Aufsicht erfolgen.
- Kinder von weniger als 3 Jahren sollten ferngehalten werden, es sei denn kontinuierlich überwacht.
- Kinder ab 3 Jahren und weniger als 8 Jahren dürfen nur Ein-/ Ausschalten des Gerätes, sofern sie gesetzt worden ist oder installiert in seinen beabsichtigten normalen Position und eine angemessene Aufsicht oder ausführliche Anleitung zur Benutzung des Geräts in einer sicheren Weise gegeben und verstehen die damit verbundenen Gefahren. Kinder ab 3 Jahren und weniger als 8 Jahren dürfen nicht in stecken, zu regulieren und das Gerät reinigen oder Wartung durch den Benutzer führen.
- Einige Teile dieses Produkts können sehr heiß werden und Verbrennungen verursachen. Besondere Aufmerksamkeit ist gegeben, wo Kinder und gefährdete Personen vorhanden sind.
- Verwenden Sie dieses Gerät NICHT in kleinen Räumen, in denen sich Menschen befinden, die den Raum nicht selbstständig verlassen können, es sei denn, diese werden ständig beaufsichtigt.
- Nicht abdecken: Um eine Überhitzung zu vermeiden, decken nicht die Heizung.
- Die Bedeutung der Zahl in Kennzeichnung "ACHTUNG: NICHT ABDECKEN"  .
- Bei beschädigtem Stecker oder Netzkabel, nach einer Störung, nach einem Fall oder bei irgendwelchen Schäden am Gerät darf der Elektrokamin nicht verwendet werden. Überprüfen Sie das Kabel regelmäßig auf Beschädigungen.
- Wenn das Netzkabel beschädigt ist, muss es durch den Hersteller, seinen autorisierten Service-Center oder professionelle Person repariert werden.
- Trennen Sie den Kamin nicht vom Strom, wenn er in Betrieb ist. Verwenden Sie die Funktionen der Fernbedienung, um den Kamin auszuschalten und vergewissern Sie sich,

dass sich der Hauptschalter in der Position OFF („o“) befindet, bevor Sie den Stecker aus der Steckdose ziehen.

- Lassen Sie das Netzkabel nicht verdreht unter Teppichen, Teppichböden usw. hindurch laufen.
- Der Stecker muss nach der Installation immer zugänglich sein.
- Das Netzkabel darf nie über scharfe Kanten laufen, mit heißen Oberflächen in Kontakt kommen oder verknotet sein.
- Halten Sie das Stromkabel vom Heizelement fern. Führen Sie das Stromkabel niemals über die Vorderseite des Kamins.
- Benutzen Sie das Feuer nicht in einem Raum, in dem explosive Stoffe (z. B. Erdöl) aufbewahrt werden.
- Verwenden Sie dieses Gerät NICHT, wenn es sichtbare Anzeichen für eine Beschädigung gibt.
- Verwenden Sie dieses Gerät NICHT, wenn es fallengelassen wurde.

1.2 Spezifikationen

Model No.:	Fey (EF248A)
Supply Voltage:	AC 230-240V, 50Hz,1830-2000W
Maximaler Energieverbrauch:	2KW
Kraft für Flammeneffekt:	10.0W
Kraft für Flammenbetteffekt:	5.9W

Wärmeabgabe:

Nominale Wärmeabgabe (Pnom):	2KW
Minimale Wärmeabgabe (indicative) (Pmin):	1KW
Maximale kontinuierliche Wärmeabgabe (Pmax):	2KW

Stromverbrauch:

Bei nominaler Wärmeleistung (elmax):	12.5W
Bei minimaler Wärmeleistung (elmin):	12.0W
Standby-Modus (elSB):	0.49W

Art der Wärmeabgabe / Raumtemperaturregelung

Single stage heat output and no room temperature control	No
Two or more manual stages, no room temperature control	No
With mechanic thermostat room temperature control	No
With electronic room temperature control	Yes
Electronic room temperature control plus day timer	Yes
Electronic room temperature control plus week timer	Yes

Andere Steuerungsoptionen

Room temperature control, with presence detection	No
Room temperature control, with open window detection	Yes
With distance control option	Yes
With adaptive start control	Yes
With working time limitation	No
With black bulb sensor	No

ABSCHNITT 2: INSTALLATION

Notwendige Werkzeuge

Magnetschraubendreher
Bohrmaschine

Inhalt des Pakets

Montagematerial, Fernbedienung, Batterien, Bedienungsanleitung, elektrischer Kamin








2.1 Auspacken des Kamins



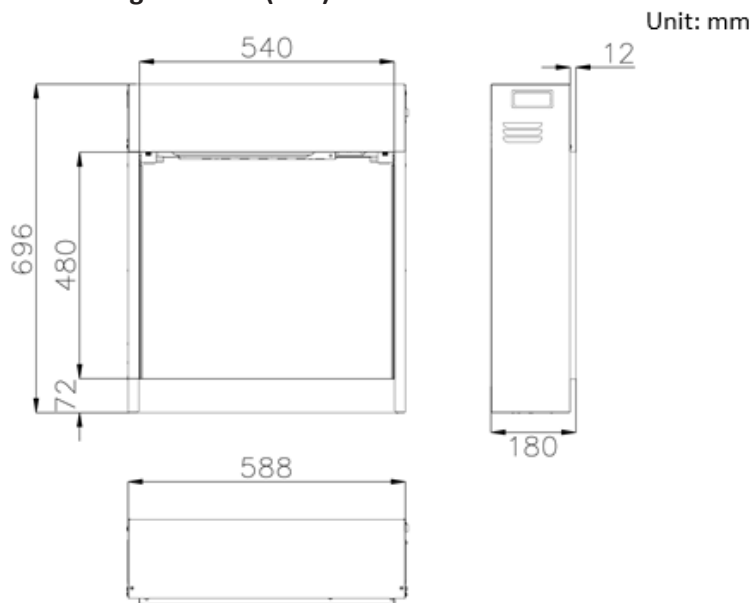
WARNUNG! Verwenden Sie dieses Gerät nicht, wenn ein Teil unter Wasser gestanden hat.

Sofort eine qualifizierte Service-Techniker zu überprüfen und zu ersetzen einen Teil der elektrischen System gegebenenfalls. Halten Plastikverpackung von Kindern fern.

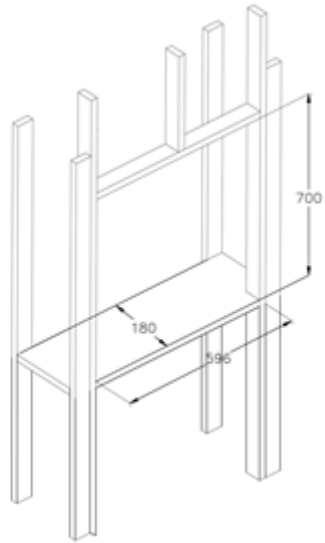
- Öffnen Sie die Verpackung vorsichtig und entfernen Sie das Styropor. Stellen Sie sicher, dass das Gerät intakt ist, dass es keine Anzeichen für eine durch den Transport verursachte Beschädigung aufweist und dass kein Teil des Geräts Wasser ausgesetzt war. Falls Sie Zweifel haben, dürfen Sie das Gerät nicht verwenden. Nehmen Sie dann Kontakt mit einem autorisierten Kundendienst auf.
- Entfernen und Entsorgen der Plastiktüte.
- Verantwortlich beim Umgang mit den Verpackungsmaterialien.
- Bewahren Sie die Originalverpackung auf; Sie benötigen diese möglicherweise bei einer Reklamation im Zusammenhang mit dem Produkt oder um das Produkt in der Zukunft zu transportieren und/oder zu lagern.
- Vergewissern Sie sich, dass alle Teile aus der Verpackung entfernt wurden.
- Lassen Sie kleine Kinder vor und während der Montage nicht in die Nähe kommen. Lassen Sie kleine Kinder nicht mit den Teilen in Berührung kommen.
- Ihr neuer Elektrokamin kann fast überall im Haus installiert werden. Bei der Auswahl des Standorts müssen jedoch die allgemeinen Anweisungen sorgfältig gelesen und befolgt werden. Das beste Ergebnis wird erzielt, wenn Sie den Elektrokamin nicht direkt in die Sonne aufstellen.
- Das Gerät muss an eine geerdete Steckdose angeschlossen werden; diese Steckdose muss immer gut zugänglich sein, sodass das Gerät schnell von der Stromversorgung abgetrennt werden kann.

 <p>Remote Handset (1)</p>	 <p>AAA Battery (2)</p>	 <p>Instruction (1)</p>	 <p>Mounting bracket (2)</p>
 <p>Screw ST4*12 (8)</p>	 <p>Resin Log (1 set)</p>	 <p>Grey stones(1 set)</p>	

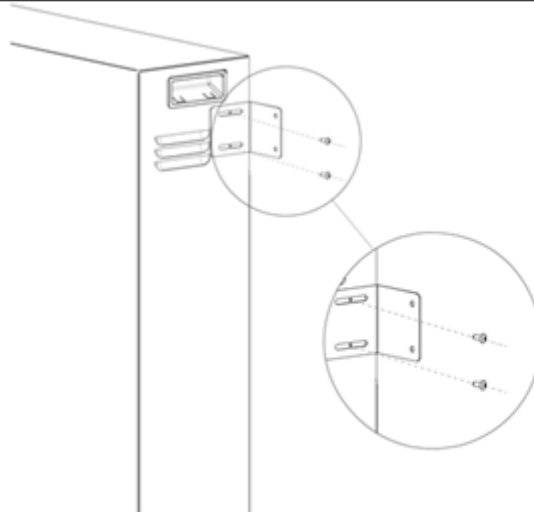
2.2 Abmessungen Kamin (mm)



SCHRITT 1.

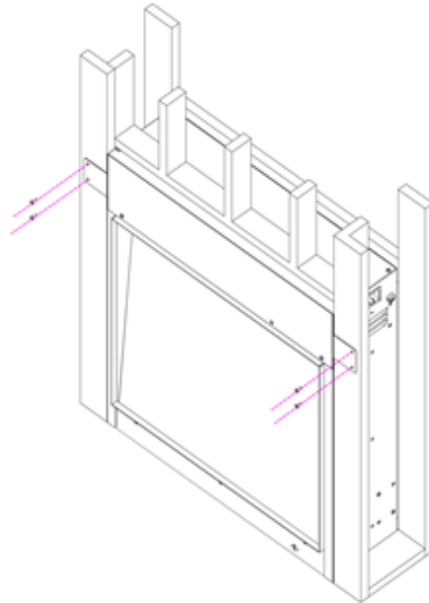


SCHRITT 2.



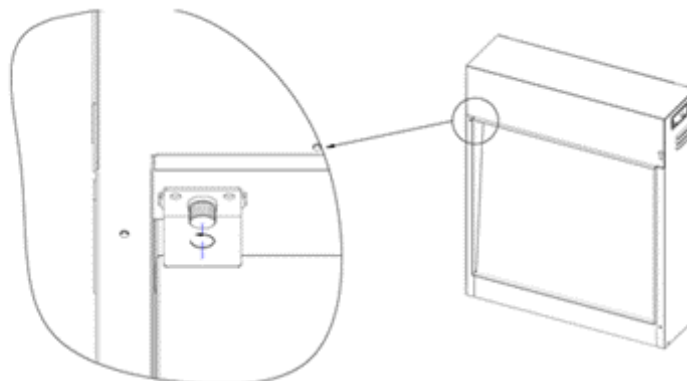
Entfernen Sie die 2 Befestigungswinkel und die 4 ST4x12 Schrauben, um sie an der linken und rechten Seitenwand des Geräts zu befestigen.

SCHRITT 3.



Verwenden Sie 4 Schrauben ST4x12, um de Kamin am Rahmen zu befestigen, wie in Abbildung 3 gezeigt.

SCHRITT 4.



Entfernen Sie vorsichtig die Verkleidung, entfernen Sie die Schraube von beiden Seiten und verwenden Sie den Glashaken, um das Glas vorsichtig zu entfernen

SCHRITT 5.



Die grauen Steine vorsichtig auf dem Flammenbett verteilen. Dann legen Sie die Stämme entlang der Kante des Fensters an der Vorderseite der Feuerkammer. Das Glas ersetzen. Schrauben Sie die Schrauben an den Ecken fest.

Hinweis: Achten Sie darauf, genügend Platz zu lassen, um das Frontdisplay oder anderer Teile zu entfernen und zu ersetzen.

ABSCHNITT 3: BETRIEBSANLEITUNGEN

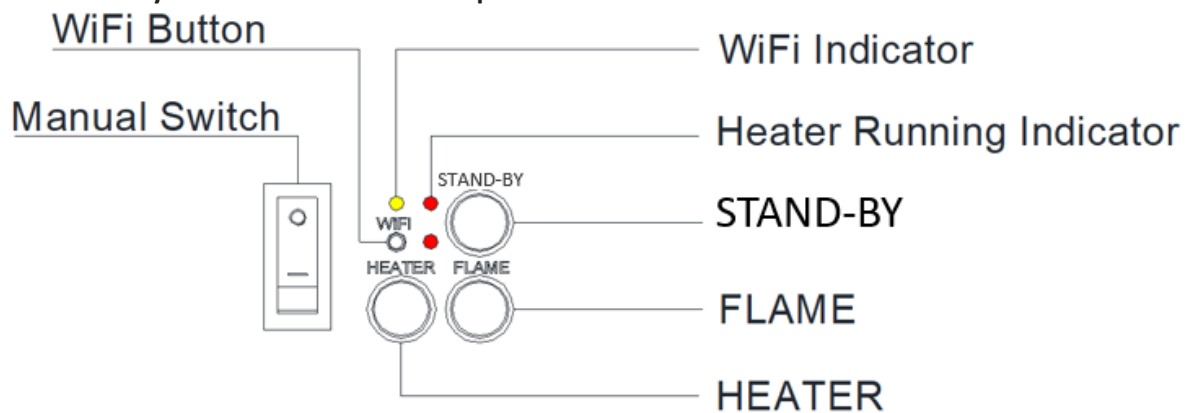
WARNUNG: Verwenden Sie das Gerät nicht, wenn es beschädigt ist oder eine Störung aufweist. Wenn Sie vermuten, dass das Gerät beschädigt ist oder eine Störung hat, müssen Sie das Gerät von einem qualifizierten Servicetechniker überprüfen und gegebenenfalls defekte Teile des elektrischen Systems ersetzen lassen, bevor Sie das Gerät wieder verwenden.

VERGEWISSERN SIE SICH, dass der Stecker fest in die Steckdose gesteckt ist. Durch mangelhafte Anschlüsse an die Steckdose oder gelöste Stecker kann die Steckdose zu heiß werden.

Dieses Gerät kann sowohl von Fernbedienung und manuelle Taste betätigt werden. Sobald das Gerät ordnungsgemäß an eine geerdete Steckdose angeschlossen, auf dem Hauptschalter auf der rechten Seite des Gerätes befindet sich wiederum. Ein Piepton sollte gehört werden, wenn das Gerät zum ersten angelegt wird.

HINWEIS! So verwenden sowohl Fernbedienung und manuelle Funktionen der manuellen Ein / Aus-Schalter muss in 'ON' Position sein. Um das Produkt zu schützen nicht zu heiß wird, gibt es 8 Sekunden Verzögerung beim Einschalten der Heizung, auch gibt es 10 Sekunden Verzögerung beim Ausschalten des Heizgebläse.

3.1 Betriebssystem durch manuelle Knop



HINWEIS! Die manuelle Taste auf der Feuer-Kiste Gerät nicht versorgen Sie mit allen Funktionskontrolle, und seine Vorschlagen, ist, einige grundlegende Funktion zu steuern, wenn Sie die Fernbedienung verlieren. Bitte benutzen Sie die Fernbedienung in die Durchführung aller Funktionen.

MANUAL SWITCH (MANUELLER SCHALTER)

Mit diesem Schalter können Sie das Gerät ein- oder ausschalten.

STAND-BY TASTE

Drücken Sie "STAND-BY" um in den Standby-Modus zu gelangen.

FLAME (FLAMME TASTE)

Drücken Sie die FLAME Taste, um die Flammenfarbe (3 Farben) auszuwählen oder in die AUS-Stellung zurückzukehren. Wenn Sie steuern müssen Hintergrundbeleuchtung Effekte nutzen Sie bitte die Fernbedienung.

Drücken Sie die Taste 3 Sekunden lang, um den Signalton bei jedem Drücken der Taste abzuschalten; zwei kurze Signaltöne zeigen an, dass er abgeschaltet ist.

HEATER (HEIZUNG TASTE)

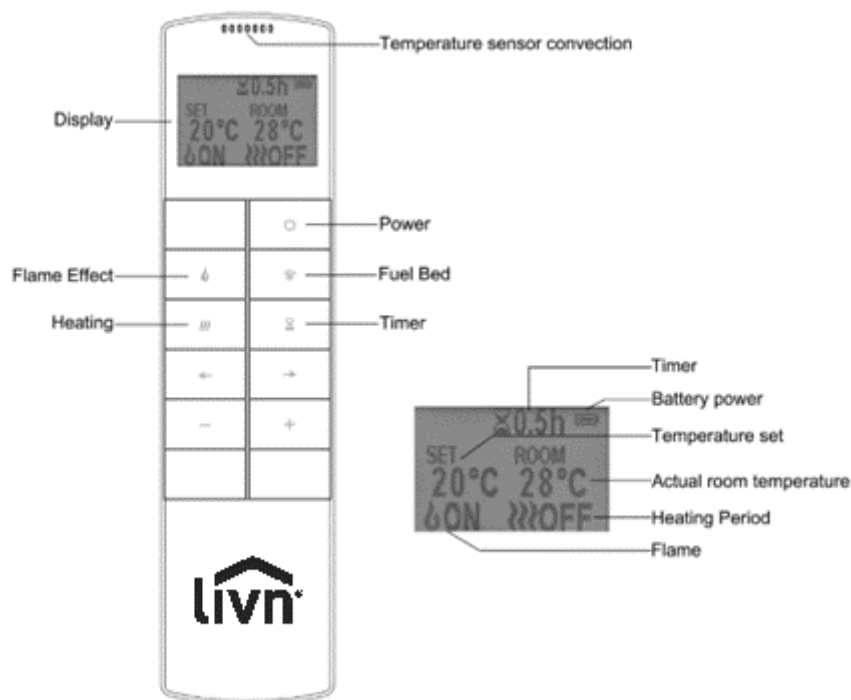
Drücken Sie die Taste "HEATER", um zwischen LOW heater, HIGH heater und OFF zu wechseln.

WIFI

Drücken Sie diese Taste, um den WiFi-Modus zu aktivieren.

3.2 Anleitung Fernbedienung

- Vergewissern Sie sich, dass die Batterien richtig in die Fernbedienung eingelegt sind.
- Die effektive Reichweite der Fernbedienung beträgt bis zu 15 Meter.



Wichtig! Dies ist eine Fernbedienung mit Thermostat. Die Fernbedienung sollte sich immer im selben Raum befinden, in dem sich der Kamin befindet und auf einer ebenen Fläche stehen.


Die Kommunikationsfrequenz zwischen Fernbedienung und Kamin wird automatisch voreingestellt. Wenn die Verbindung unterbrochen ist, befolgen Sie Schritt 3.2.16.

Ein- und Ausschalten des Kamins


3.2.1 Drücken Sie auf um den Kamin mit Flammeneffekt ein- oder auszuschalten.

3.2.2 Drücken Sie auf um den Automatikmodus auszuschalten, wenn sich das Heizgerät im Modus Heizen AUTO befindet.


Flammeneffekt

- 3.2.3 Drücken Sie auf die  Taste, um die Flamme ein- oder auszuschalten.
- 3.2.4 Drücken Sie auf die '←' und '→', um eine der drei Flammeneinstellungen oder OFF zu wählen.
- 3.2.5 Drücken Sie auf die '+' und '-' Taste, um der Flammenintensitäten (5 Helligkeitsstufen) auszuwählen oder auszuschalten.



Hintergrundbeleuchtung

- 3.2.6 Drücken Sie auf die  Taste, um das Menü für die Hintergrundbeleuchtung aufzurufen.
- 3.2.7 Drücken Sie auf die '←' und '→' Taste, um eine der 9 verschiedenen Hintergrundfarben auszuwählen oder auszuschalten.
- 3.2.8 Drücken Sie auf die '+' und '-' Taste, um eine der 5 Flammenintensitäten auszuwählen, die ausgeschaltet werden sollen.

Heizfunktion

- 3.2.9 Drücken Sie auf  um die Heizung einzuschalten. Es gibt 4 Heizeinstellungen: LOW, HIGH, OFF und AUTO.
- 3.2.10 Drücken Sie auf die '+' oder '-' Taste, um die Temperatur von 5-50°C einzustellen.

Timer

- 3.2.11 Drücken Sie auf  um der Timer einzuschalten.
- 3.2.12 Drücken Sie zuerst die  Taste, um die Zeit auf 0.5 Stunden (0.5H) einzustellen, drücken Sie die Taste erneut, um zwischen 1H, 2H, 3H, 4H, 5H, 6H, 7H, 8H, 9H, 10H, und OFF zu wechseln.
- 3.2.13 Während sich das Heizgerät im AUTO-Modus befindet, stellen Sie den Timer so ein, dass alle Funktionen einschließlich des AUTO-Modus, ausgeschaltet werden.

Erkennung von geöffnetem Fenster

- 3.2.14 Wenn die Fernbedienung viel Luftstrom erkennt, öffnet sie das „Warnfenster“ (Window open). Die Heizfunktion wird dann automatisch eingeschaltet.
- 3.2.15 Wenn die Innentemperatur wieder angestiegen ist oder nachdem die Warnung manuell entfernt wurde (über die Fernbedienung), kehrt die Heizfunktion zum normalen Betrieb zurück.



Einstellen der Frequenz zwischen Kamin und Fernbedienung

- 3.2.16 Die nachstehend aufgeführten Vorgänge sind vor der Programmierung, beim Umschalten auf eine neue Fernbedienung oder wenn das Gerät nicht über die Fernbedienung gesteuert werden kann, durchzuführen:
- Drücken und halten Sie die POWER ON/OFF-Taste am Gerät 3 Sekunden lang fest, bis Sie 2 kurze Signaltöne vom Gerät hören, dann die Taste loslassen.
 - Drücken Sie dann innerhalb von 10 Sekunden die POWER ON/OFF Taste auf der Fernbedienung. Die Kommunikation zwischen der Fernbedienung und dem Gerät ist hergestellt, wenn Sie einen langen Signaltone vom Gerät hören.
- 3.2.17 Das Zurücksetzen des Codes für die Fernbedienung ist erforderlich, wenn das Gerät fehlerhaft arbeitet oder die Fernbedienung nicht ordnungsgemäß funktioniert.
- Öffnen Sie die hintere Abdeckung der Fernbedienung.
 - Drücken Sie die Reset-Taste auf der Fernbedienung.



TEIL 4: WARTUNG



Warnung: Vor der Wartung und/oder Reinigung der Außenseite des elektrischen Kamins muss das Netzkabel aus der Steckdose gezogen werden. Lassen Sie den elektrischen Kamin abkühlen.

4.1 FERNBEDIENUNG

Volle Batterie

Halb volle Batterie

Die Batterien sind leer und sollten sofort ausgetauscht werden

Nach 1 Jahr wird empfohlen, die Batterien auszutauschen. Für die Fernbedienung werden AAA-Batterien benötigt. Altbatterien zu einer Sammelstelle bringen.

4.2 Reinigung des elektrischen Kamins

Sie können für die Außenseite des Kamins ein weiches, feuchtes, fusselfreies Tuch benutzen. Verwenden Sie keine Reinigungsmittel oder polierten Produkte. Um Fingerabdrücke oder andere Flecken auf der Frontglasscheibe zu entfernen, verwenden Sie ein weiches, feuchtes, fusselfreies Tuch mit einem hochwertigen Haushaltsglasreiniger. Die Frontscheibe sollte immer vollständig mit einem sauberen, fusselfreien Tuch oder Papiertuch getrocknet werden.



Warnung: Verwenden Sie keine Schleifmittel auf der Glasscheibe. Sprühen Sie keine Flüssigkeiten direkt auf die Oberfläche des Geräts.



Warnung: Ein autorisierter Techniker muss andere Wartungsarbeiten durchführen.

4.3 Umwelt



Elektrogeräte müssen über getrennte Sammelstellen entsorgt werden. Bitte erkundigen Sie sich bei Ihrer Gemeinde nach den verfügbaren Sammelsystemen. Wenn Elektrogeräte auf einer Mülldeponie landen, können gefährliche Stoffe ins Grundwasser und in die Nahrungskette gelangen, was Ihrer Gesundheit und Ihrem Wohlbefinden schaden kann. Beim Austausch von Altgeräten gegen neue Geräte ist der Händler gesetzlich verpflichtet, Ihr Altgerät zumindest kostenfrei zurückzunehmen.



Dieser Kamin entspricht den Sicherheitsnormen EN 60335-1 und EN 60335-2-30 bezüglich der grundlegenden Anforderungen der Niederspannungsrichtlinie 2014/35/EU und den EMV-Normen EN 55014-1; EN 55014-2; EN 61000-3-2; EN 61000-3-2 und EN 61000-3-3-3, die die grundlegenden Anforderungen der Europäischen Elektromagnetischen Komptabilität 2014/30/EU und die RED-Normen EN300220-2, EN301489-1, EN301489-3 und EN6247 erfüllen und auch den Anforderungen der Europäischen Funkanlagen-Richtlinie 2014/53/EU entsprechen.

GIMEG Nederland B. V. – Atoomweg 99 – 3542 AA - Utrecht – Niederlande

Control System Technical Data			
	Main control board	Wi-Fi Module	Remote Control
Hardware	RC01-055B00 V0	WR3 V1.0	RF290H V1.1
Software/Logiciel	TC01-055B01 V0	/	RCS19-V01.06
Frequency	FSK 433.92MHz	2.4GHz	FSK 433.92MHz
Maximum Transmit Power	10mW	100mW	10mW



www.livn.nl