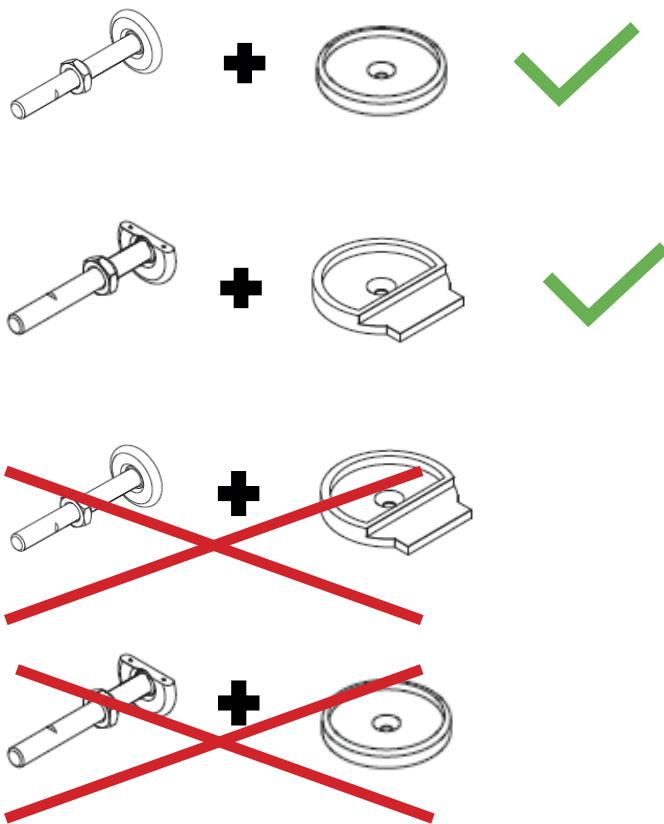


Additional Instruction for assembly



Additional Instruction for assembly

