

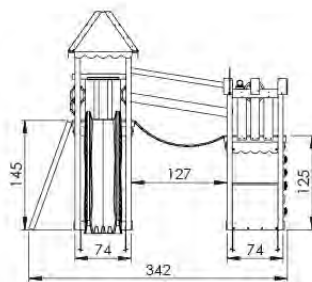
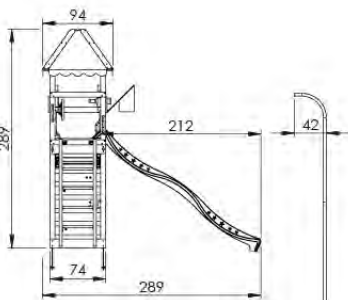
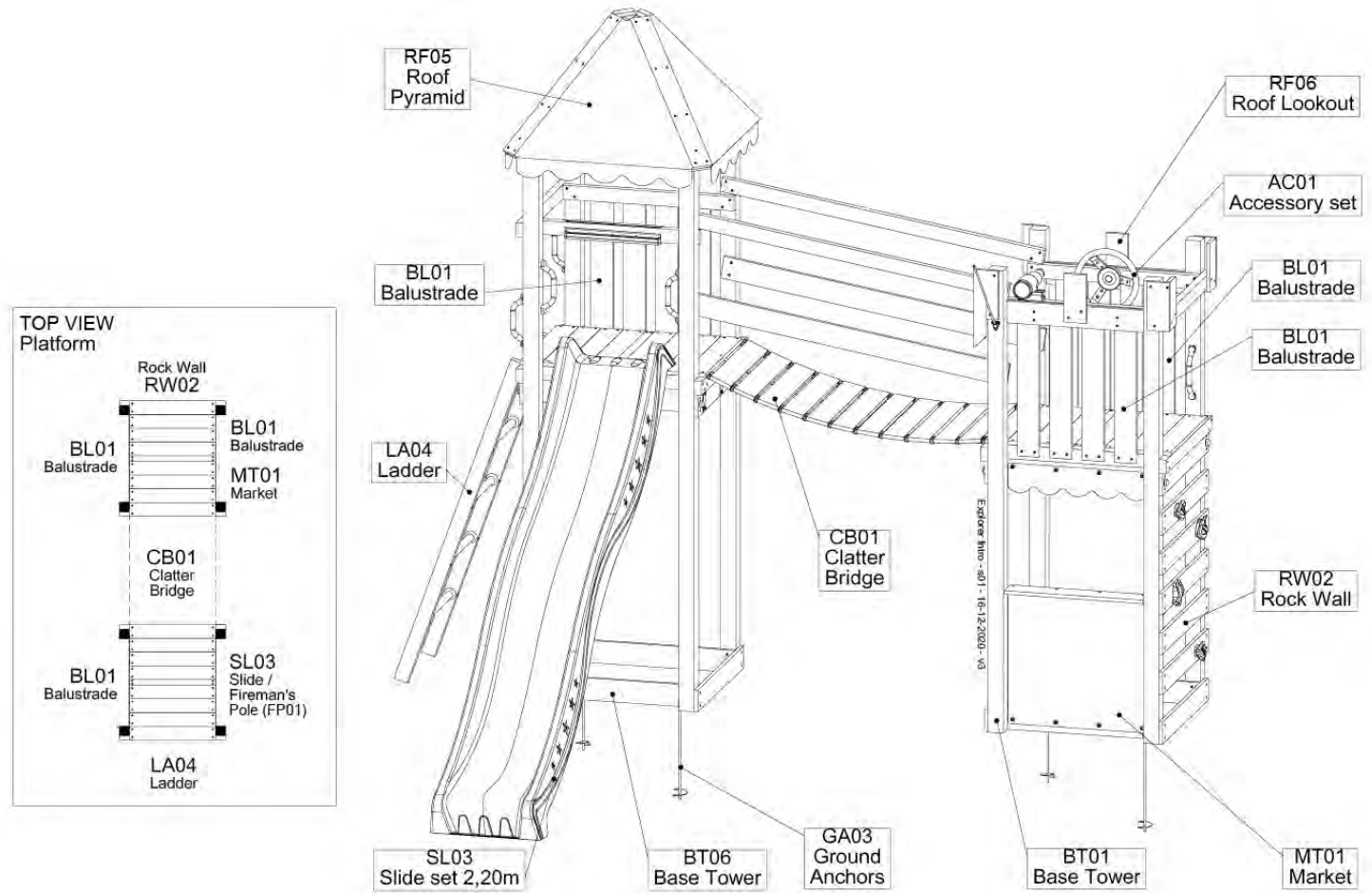
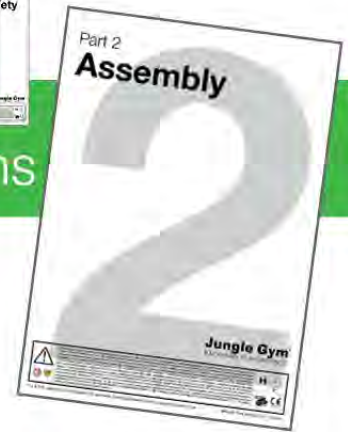
Part 2

Assembly

Instructions

Jungle Explorer

809_802



Jungle Gym

BACKYARD PLAYGROUNDS

since 1988

	<p>EN. Warnings. Only for domestic use. Maximum number of users is 7. DE. Achtung. Nur für den Hausgebrauch. Maximale Benutzerzahl: 7. FR. Attention. Réserve à un usage familial. Le nombre maximal d'utilisateurs est de 7. NL. Waarschuwingen. Uitsluitend voor huishoudelijk gebruik. Het maximale aantal gebruikers is 7. VO. Внимание. За употреба само в домашни условия. Максималният брой потребители е 7. CS. Varování. Jen pro domácí použití. Maximální počet uživatelů je 7. DA. Advarsel. Kun til privat brug. Maksimum antal brugere er 7. EL. Προειδοποίησης. Μόνο για οικιακή χρήση. Μέγιστος αριθμός χρηστών 7. ES. Advertencias. Solo para uso doméstico. Número máximo de usuarios: 7. ET. Hoiatused. Ainult koduseks kasutamiseks. Maksimaalne kasutajate arv on 7. FI. Varoitukset. Ainoastaan kotikäyttöön. Käyttäjää yhteensä enintään 7. HR. Upozorenja. Samo za kućansku uporabu. Maksimalan broj korisnika je 7. HU. Figyelmeztetések. Csak otthoni használatra! A használók max. száma: 7. IS. Varnaðarorð. Engöngu fyrir einkanoðun í heimahúsum og á einkalóðum. Hámarksfjöldi notenda er 7. IT. Avvertenze. Solo per uso domestico. Massimo numero di utenti è 7. LT. Įspėjimai. Tik būtinam naudojimui. Maksimalus naudotojų skaičius 7. LV. Brīdinājumi. Izmantoj tikai mājās. Maksimālais lietotāju skaits ir 7. NO. Advarsel. Kun for privat bruk. Maksimalt antall brukere er 7. PL. Ostrzeżenia. Wyłącznie do użytku domowego. Maksymalna liczba użytkowników to 7. PT. Avisos. Apenas para uso doméstico. O número máximo de utilizadores é 7. RO. Avertismente. Numai pentru uz domestic. Numărul maxim de utilizatori este 7. RU. Предостережения. Только для домашнего использования. Максимальное количество пользователей - 7. SK. Upozornenia. Iba na domáce použitie. Maximálne množstvo osôb je 7. SL. Opozorila. Samo za domačo uporabo. Maksimalno število uporabnikov je 7. SR. Upozorenja. Samo za kućnu upotrebu. Maksimalan broj korisnika je 7. SV. Varningar. Endast för hemmabruk. Det maximala antalet användare är 7. TR. Uyarılar. Sadece ev kullanımı için. Maksimum kullanıcı sayısı 7.</p>	<p>8h</p>

01 What's in the Delivery?

409_802

<p>1x 040_805</p> <p>1x 040_080</p>	<p>1x 022_300</p>	<p>1x 120_024</p>	<p>4x 022_5xx</p>	<p>3x 120_102</p> <p>6x 022_320</p> <p>12x 001_104</p>
<p>4x 007_001</p>	<p>1x 122_302</p> <p>1x 022_800</p>	<p>4x 005_03x</p> <p>8x 022_835</p> <p>2x 005_522</p>	<p>1x 123_200</p> <p>1x 103_901</p>	<p>1x 100_605</p> <p>1x 100_607</p> <p>1x 100_610</p> <p>1x 100_611</p> <p>1x 100_614</p> <p>1x 100_617</p> <p>1x 100_903</p> <p>1x 100_904</p> <p>2x 100_600</p> <p>3x 100_601</p>
<p>1x 104_107</p>	<p>1x 022_910</p>	<p>3x 121_114</p> <p>26x 022_911</p> <p>2,10 m</p>	<p>3x 123_220</p> <p>1x 201_275</p> <p>1x 334_x00</p> <p>73,5 cm</p> <p>Canvas</p> <p>FMP / Slide</p>	

02 Hardware

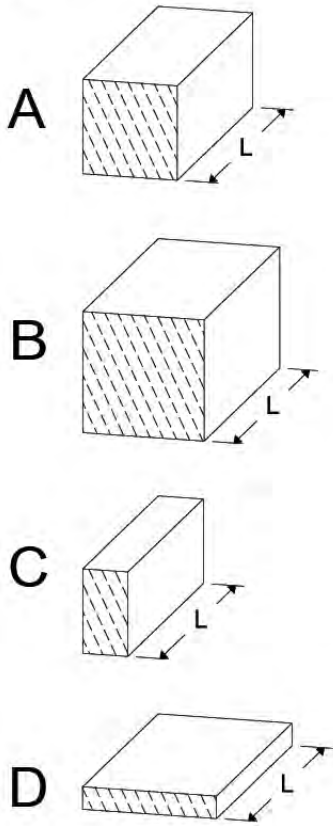
Total HWP 100_xxx Jungle Explorer

20211028

001_102 10x		M8 x 30mm	000_101 10x		ø2 x 20mm
001_406 13x		ø8 x 45mm	003_010 10x		M8x14.2mm
001_404 4x		ø8 x 30mm	003_034 72x		M6x17.7mm
002_223 80x		ø5 x 80mm	004_050 10x		M8 x 22mm
002_220 258x		ø5 x 45mm	023_031 8x		ø5mm
002_219 70x		ø5 x 30mm	120_005 8x		M8
002_308 10x		ø5.0 x 20mm			
002_036 72x		ø6.3 x 16mm			
002_041 3x		ø4.5 x 20mm			
002_042 4x		ø3.5 x 13mm			

03 Timber

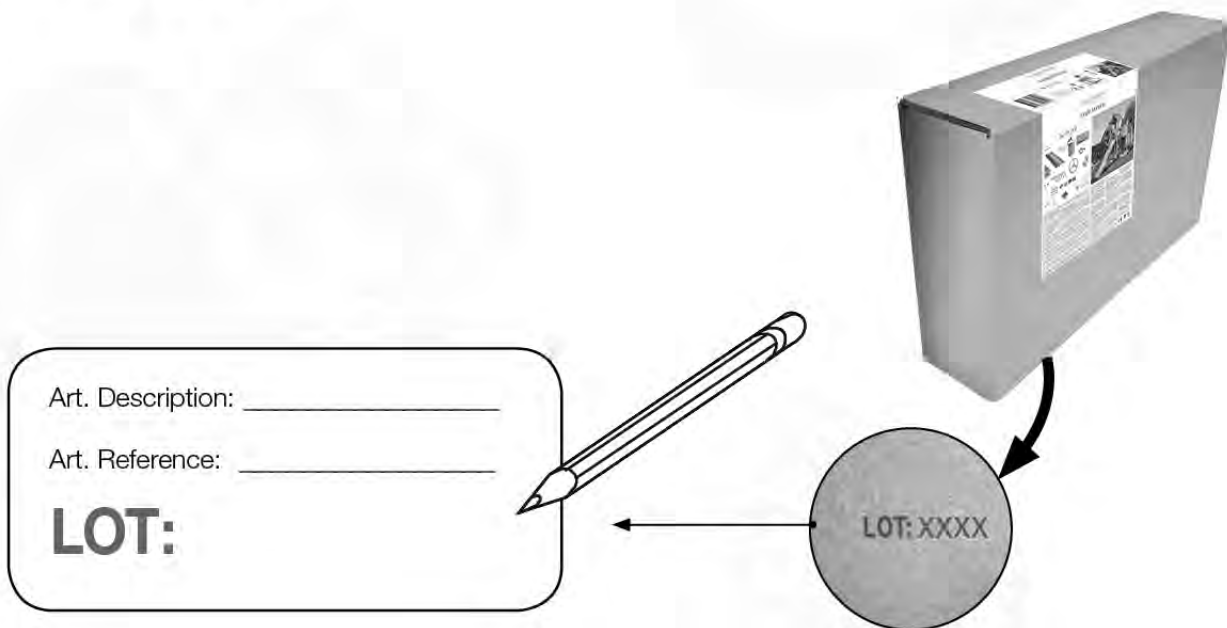
609_802 Timber pack Jungle Explorer



L		
A240	239cm - 240cm	4 x
A200	199cm - 200cm	4 x
C150	149cm - 150cm	2 x
C141	140cm - 141cm	2 x
C74	73cm - 74cm	15 x
C62	61cm - 62cm	1 x
D141	140cm - 141cm	2 x
D74	73cm - 74cm	29 x
D65	64cm - 65cm	12 x
D60	59cm - 60cm	35 x
D21	20cm - 21cm	10 x

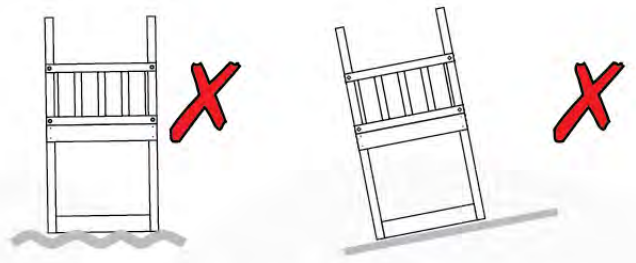
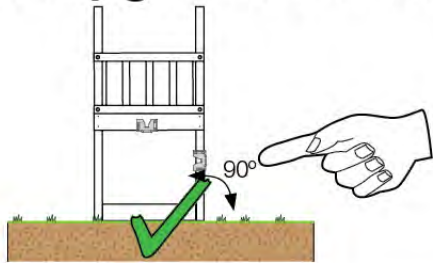
28-Oct-2021

04 Product ID

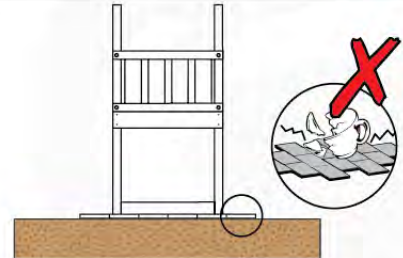
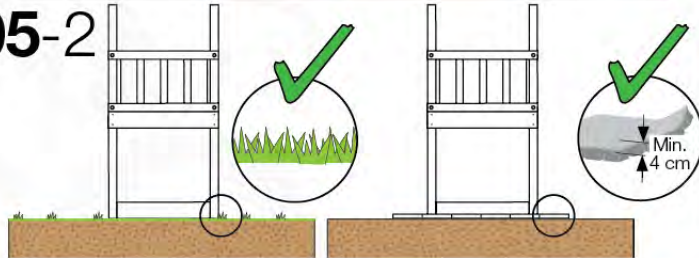


05 Safe Playground Planning

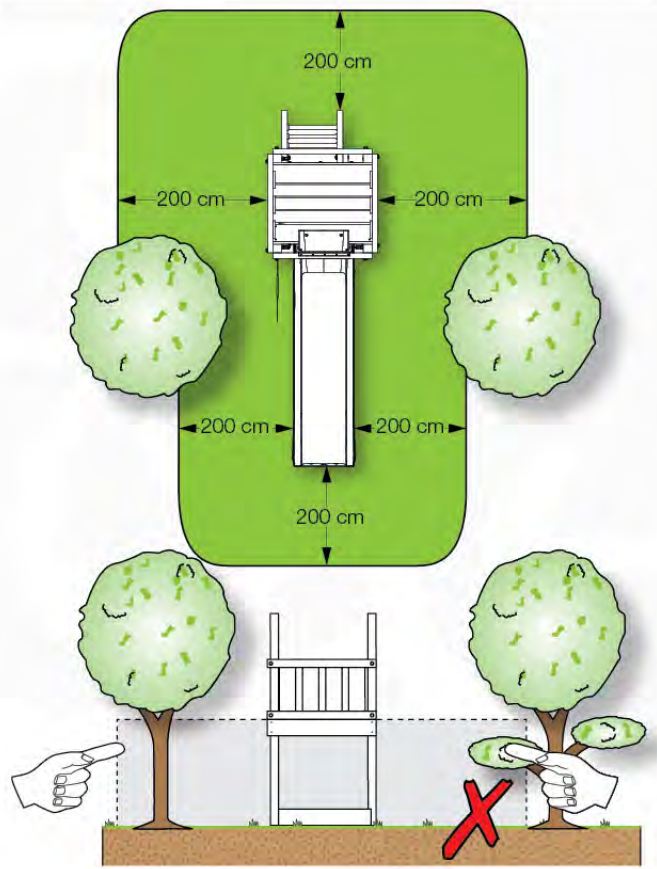
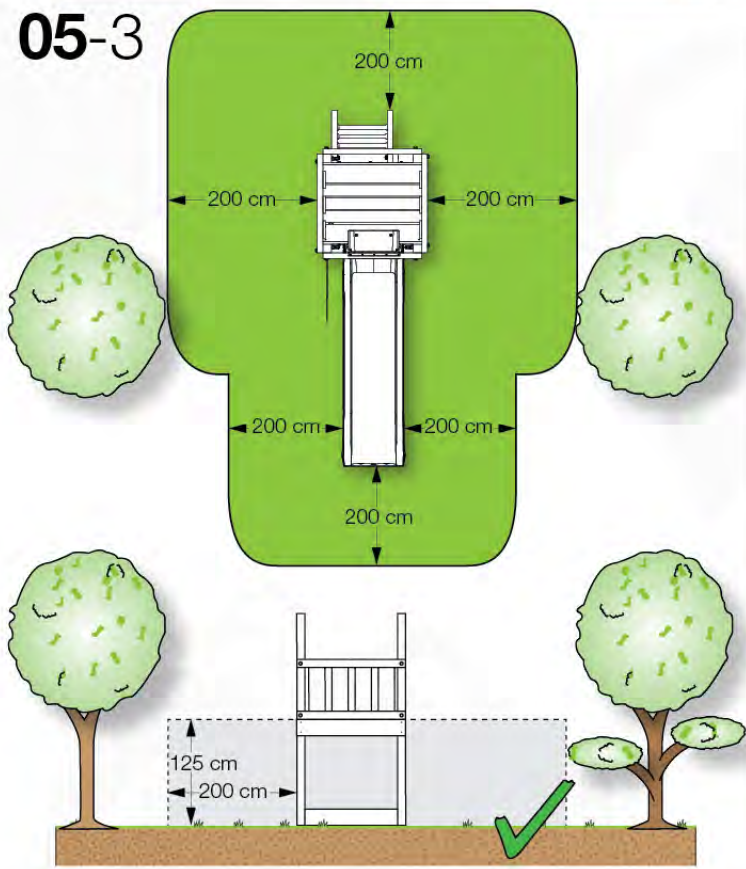
05-1



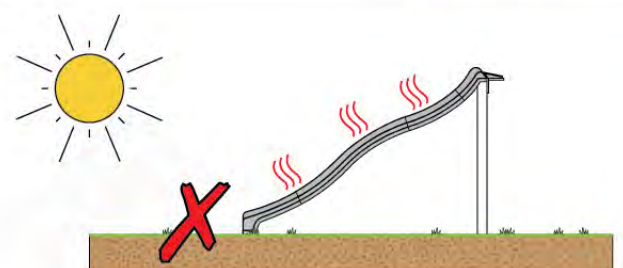
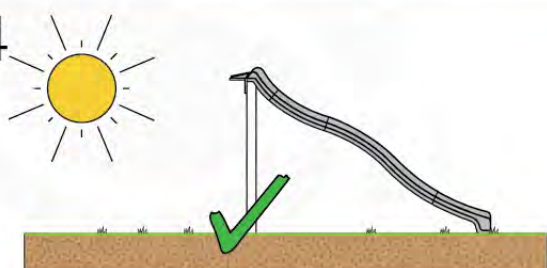
05-2



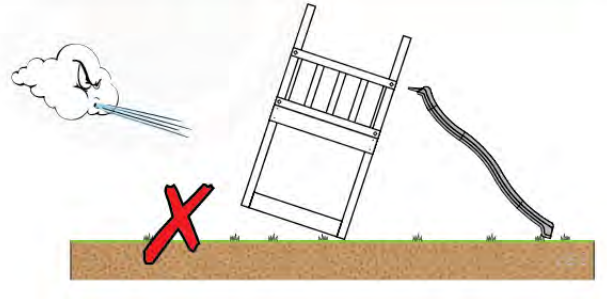
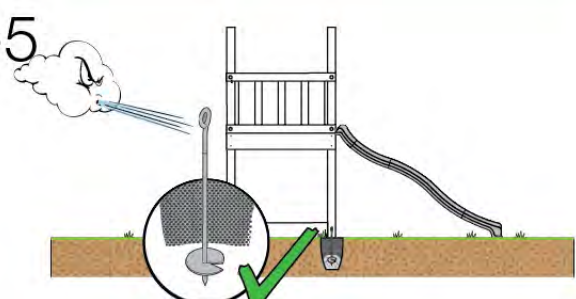
05-3



05-4



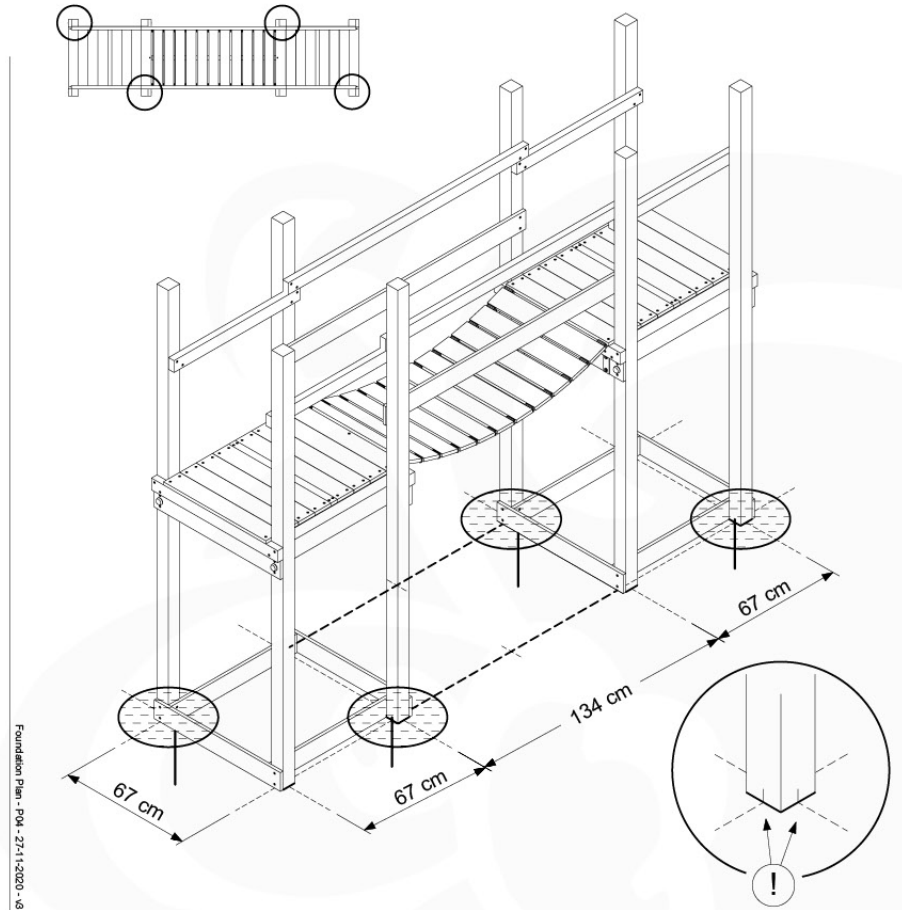
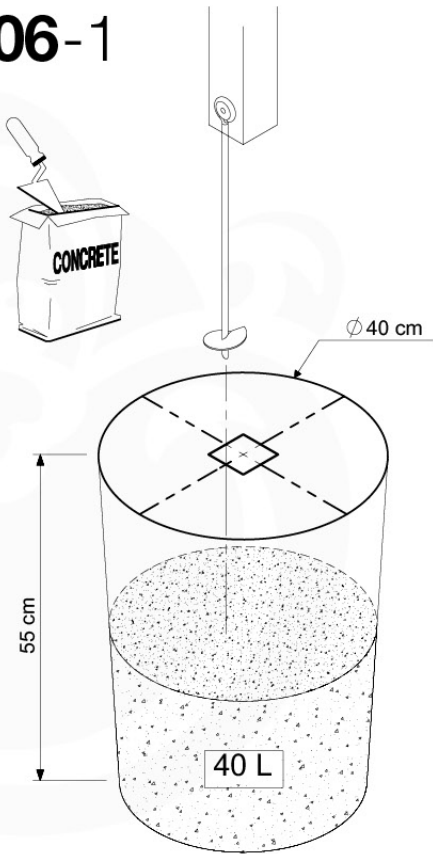
05-5



06 Playground Foundation

FD03

06-1



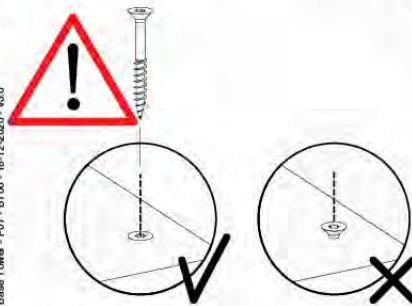
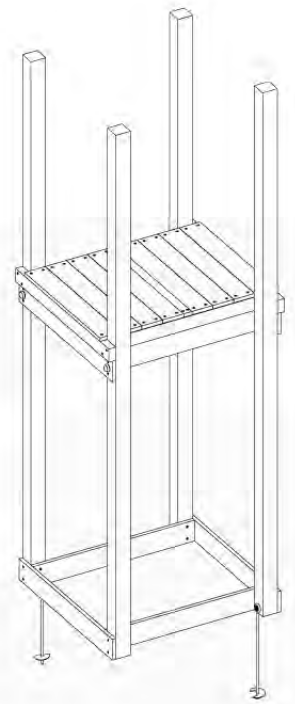
07 Base Tower

BT06

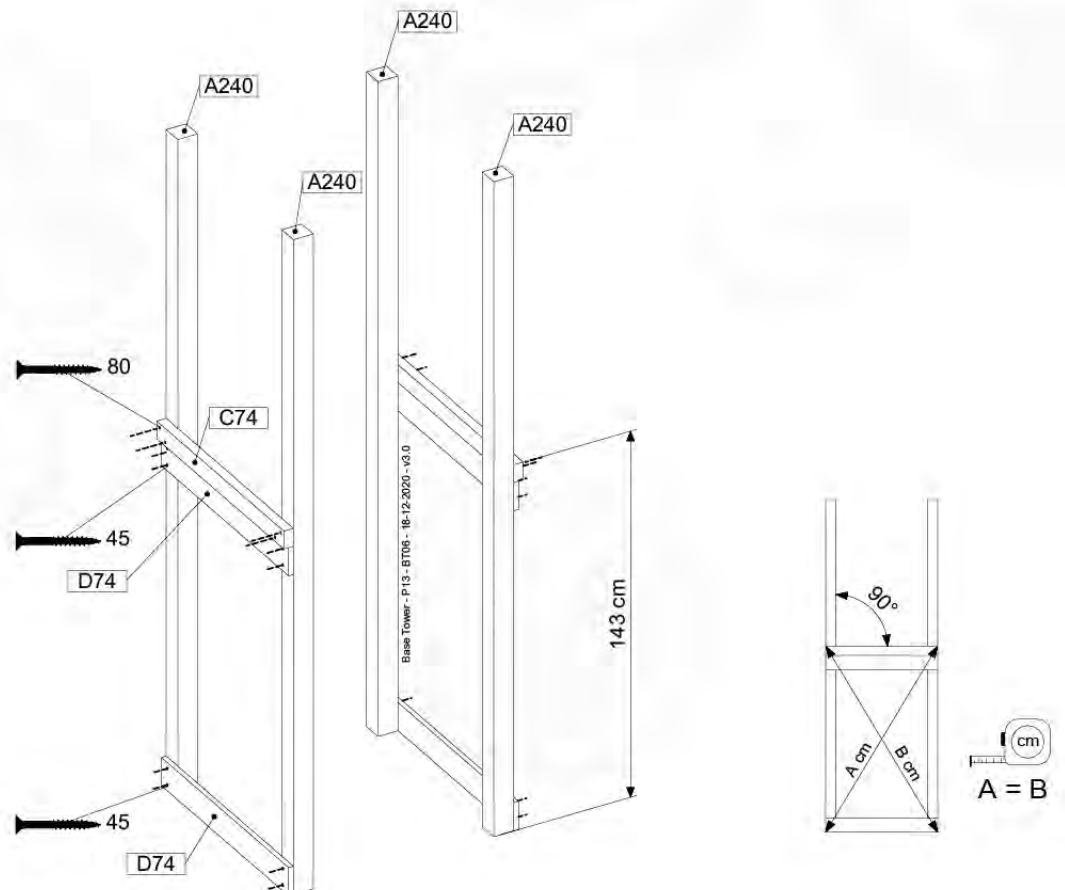
(194_100)

	PartNo	PartName	QTY.
Hardware Pack 100_600	001_406	Stealth Screw 8x45	6
	002_220	Gap Point Screw T25 - 5x45	72
	002_223	Gap Point Screw T25 - 5x80	16
Other	007_001	Ground-anchor	2
Hardware Pack 100_600	022_31x	bpc-base version 3	4
	022_84x	bpc cover	4
Wood	A240	Post 70x70 L2400	4
	C74	Beam 740 mm	4
	D60	Board 600 mm	10
	D74	Board 740 mm	8

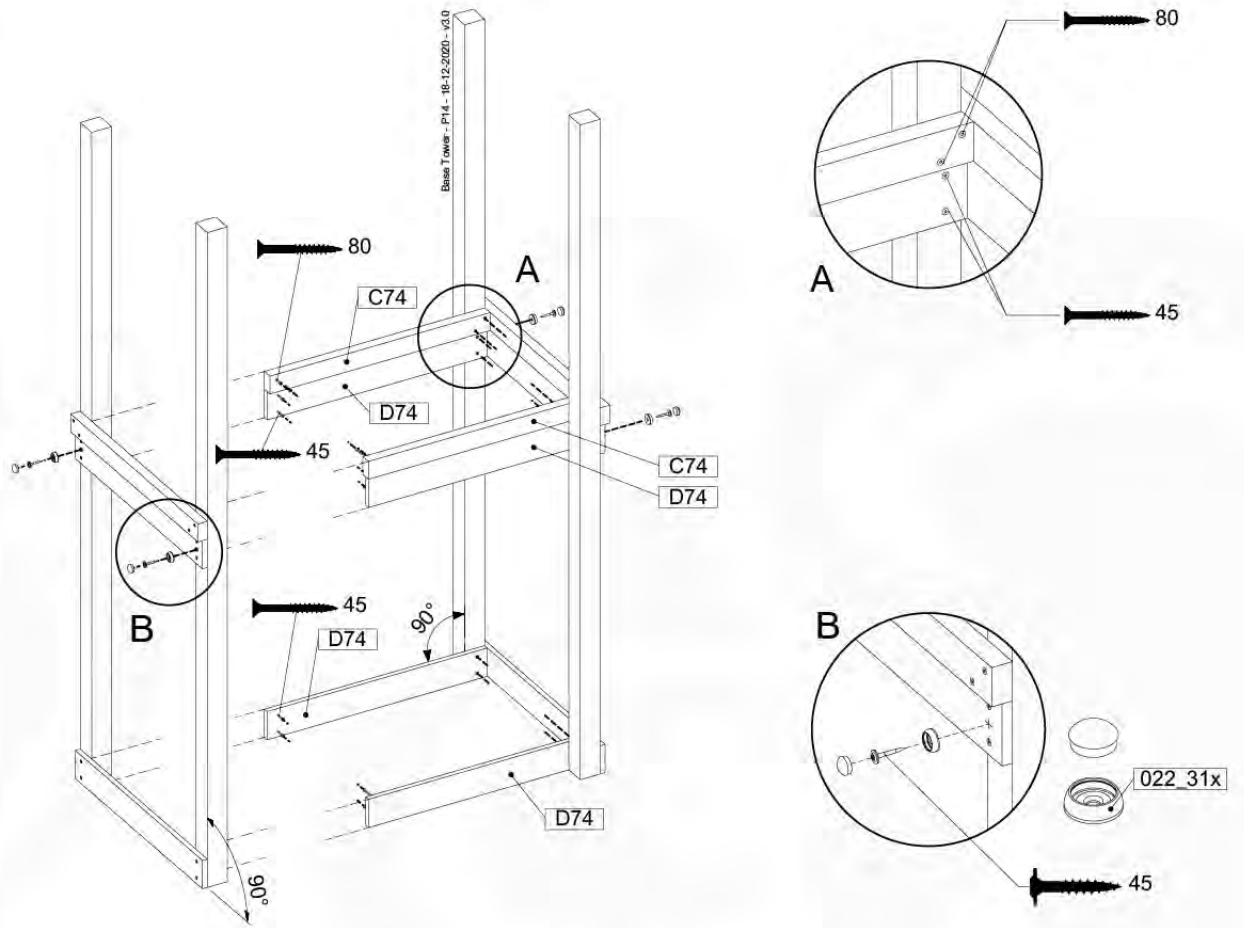
Base Tower - P07 - BT06 - 18-12-2020 - v3.0



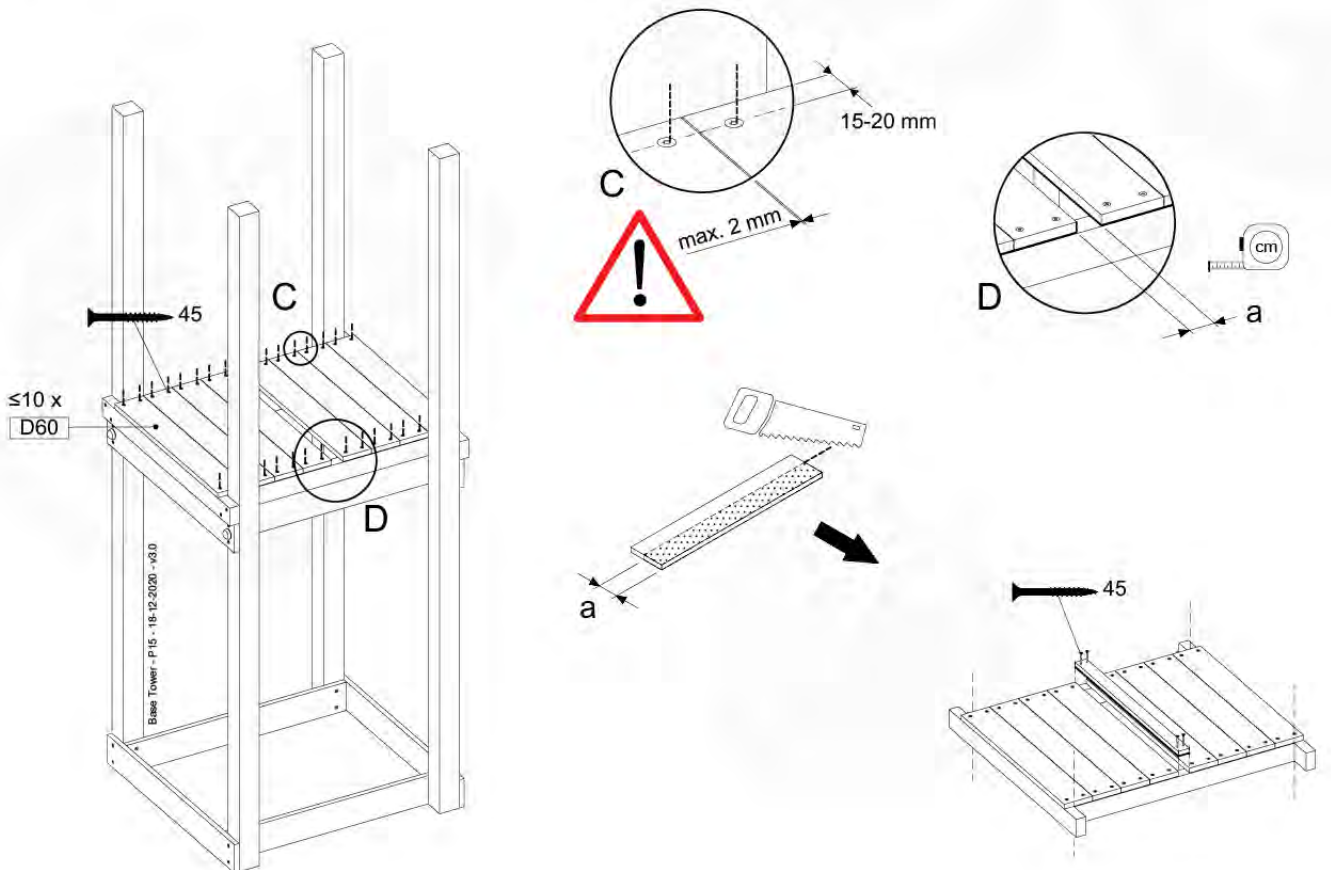
07-1



07-2



07-3



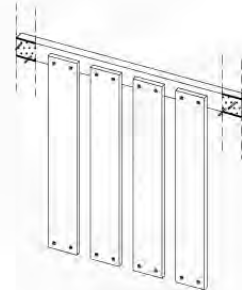
08 Balustrade (1x)

BL01

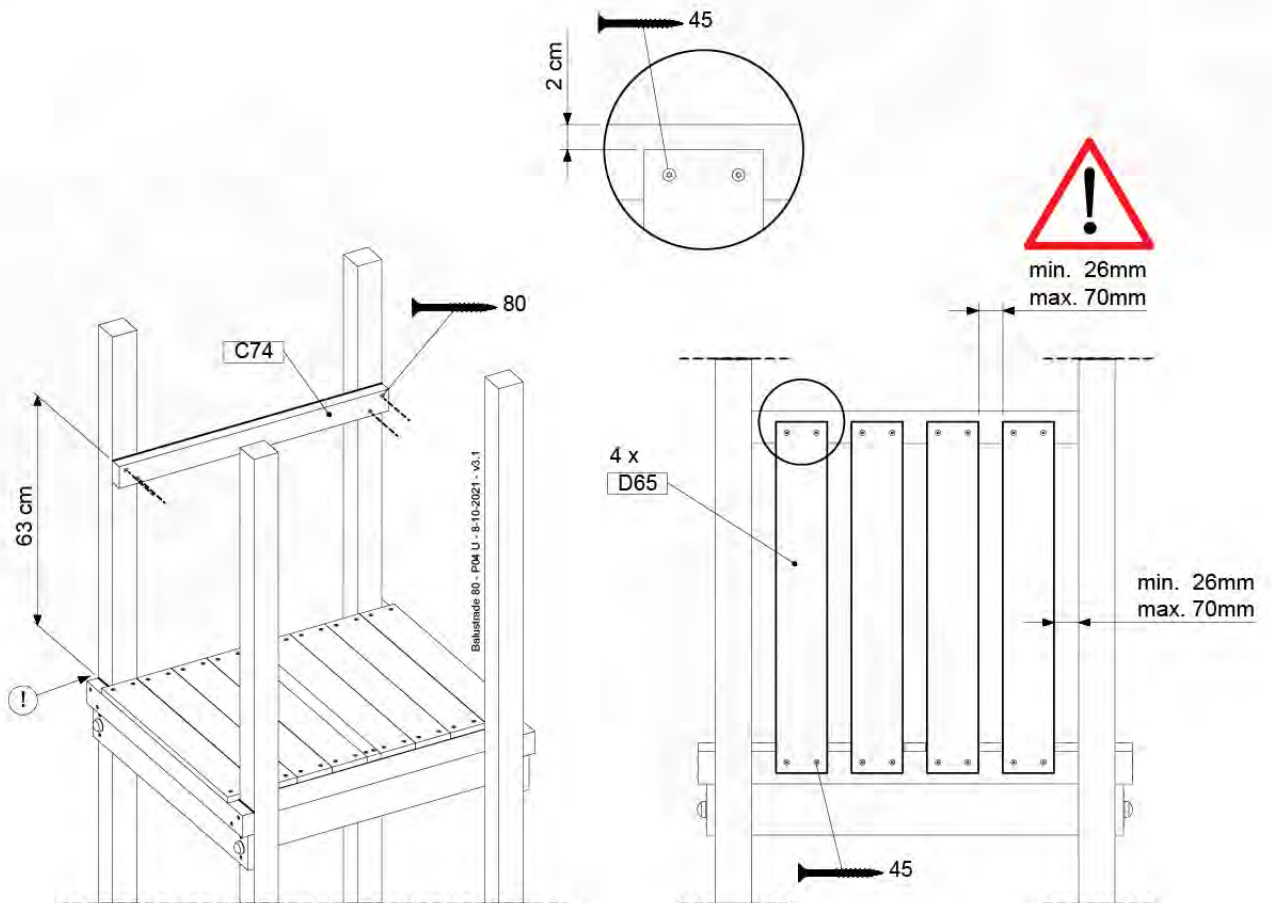
(194_101)

	PartNo	PartName	QTY.
Hardware Pack 100_601	002_220	Gap Point Screw T25 - 5x45	16
	002_223	Gap Point Screw T25 - 5x80	4
Wood	C74	Beam 740 mm	1
	D65	Board 650 mm	4

Balustrade 80 - PO2 U - 8-10-2021 - v3.1



08-1



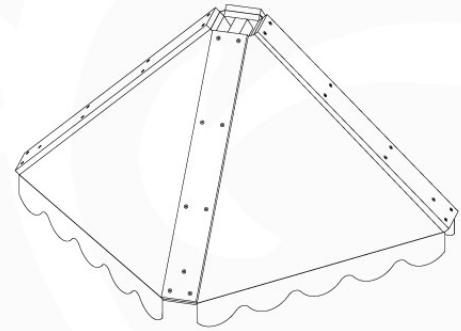
09 Roof Pyramid

RF05

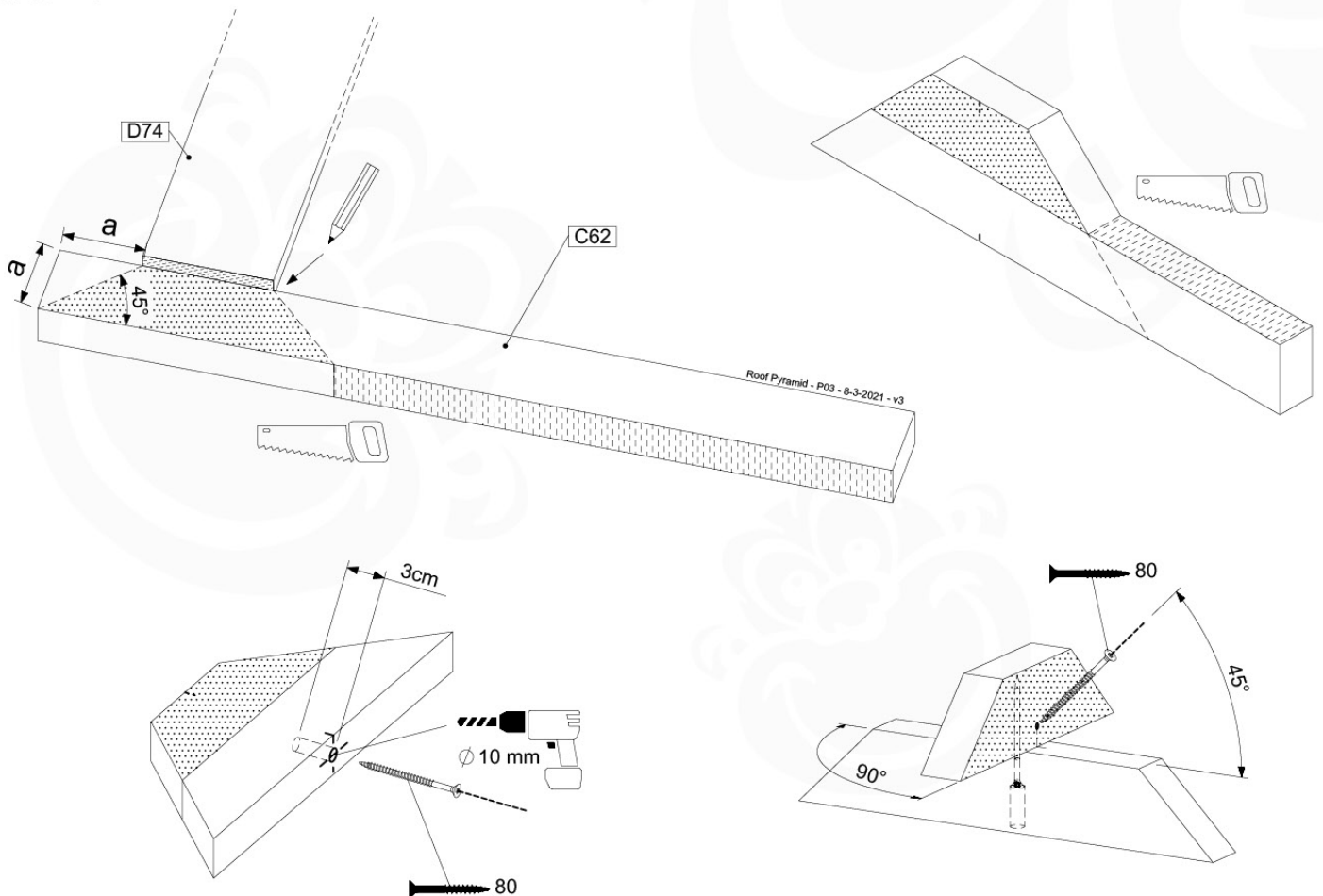
(194_109)

	PartNo	PartName	QTY.
Hardware Pack 100_607	002_219	Gap Point Screw T25 - 5x30	32
	002_220	Gap Point Screw T25 - 5x45	8
	002_223	Gap Point Screw T25 - 5x80	6
Other	123_220	Canvas sheet 735 x 1365mm (fits 2 sides)	2
Wood	C62	Beam 620 mm	1
	D74	Board 740 mm	8

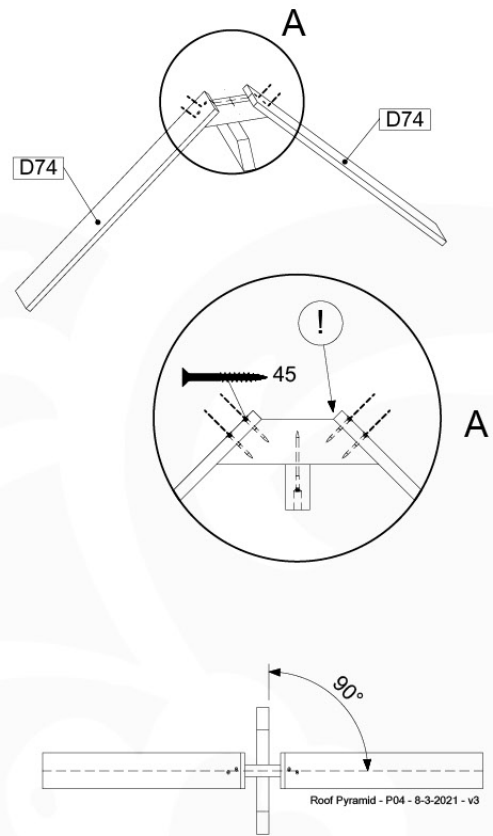
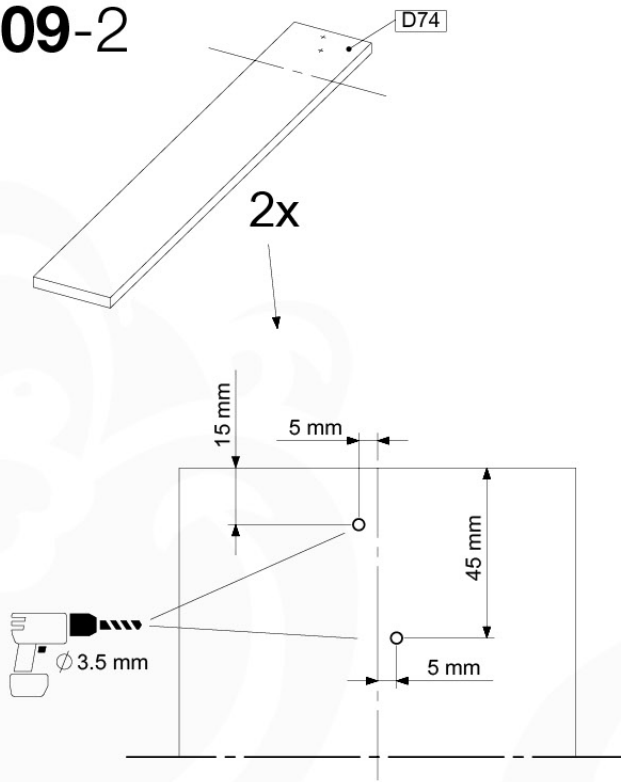
Roof Pyramid - P02 - 8-3-2021 - v3



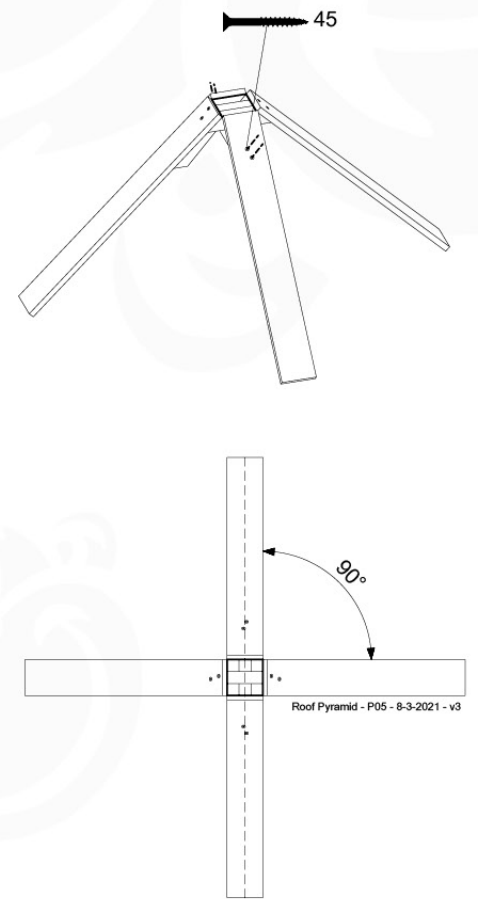
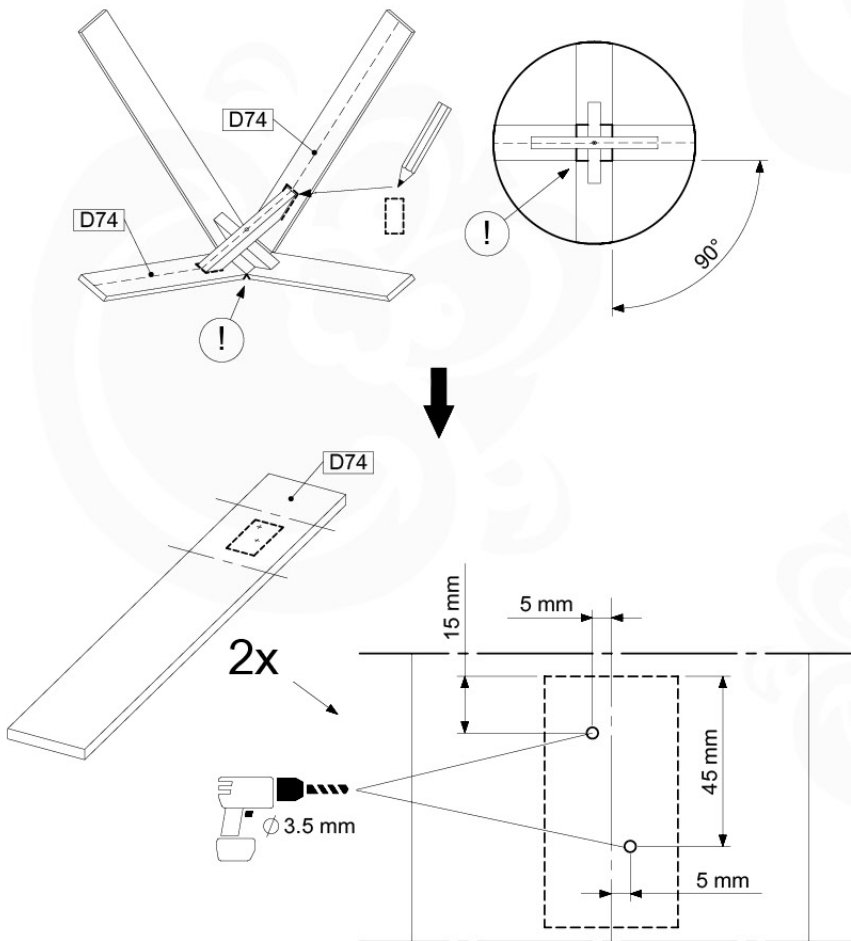
09-1



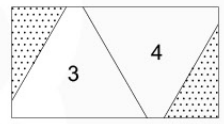
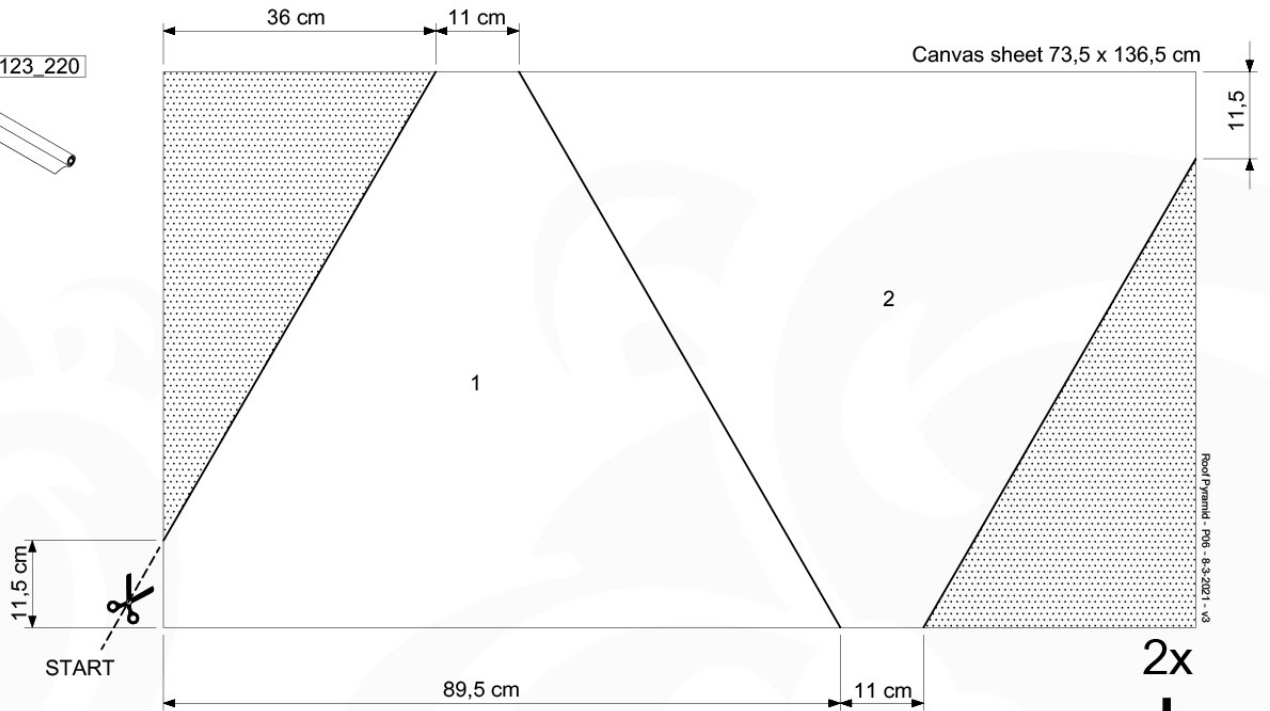
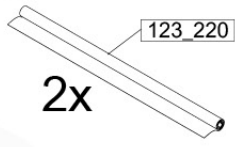
09-2



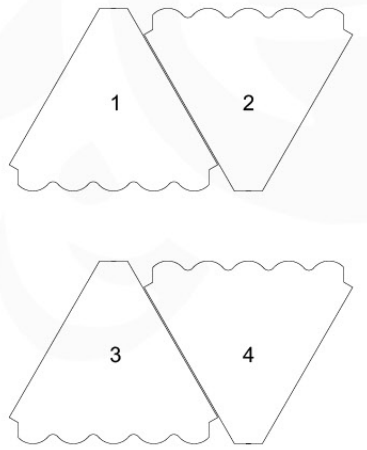
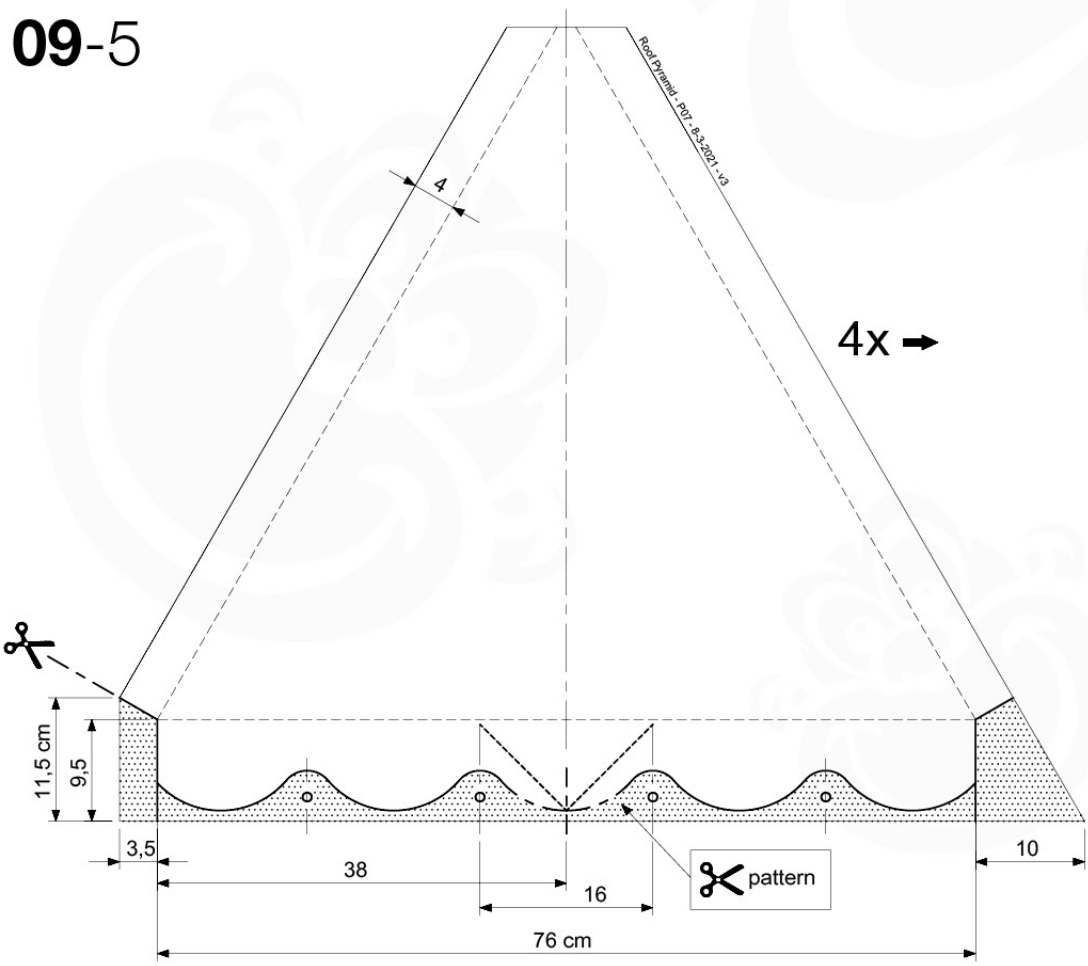
09-3



09-4



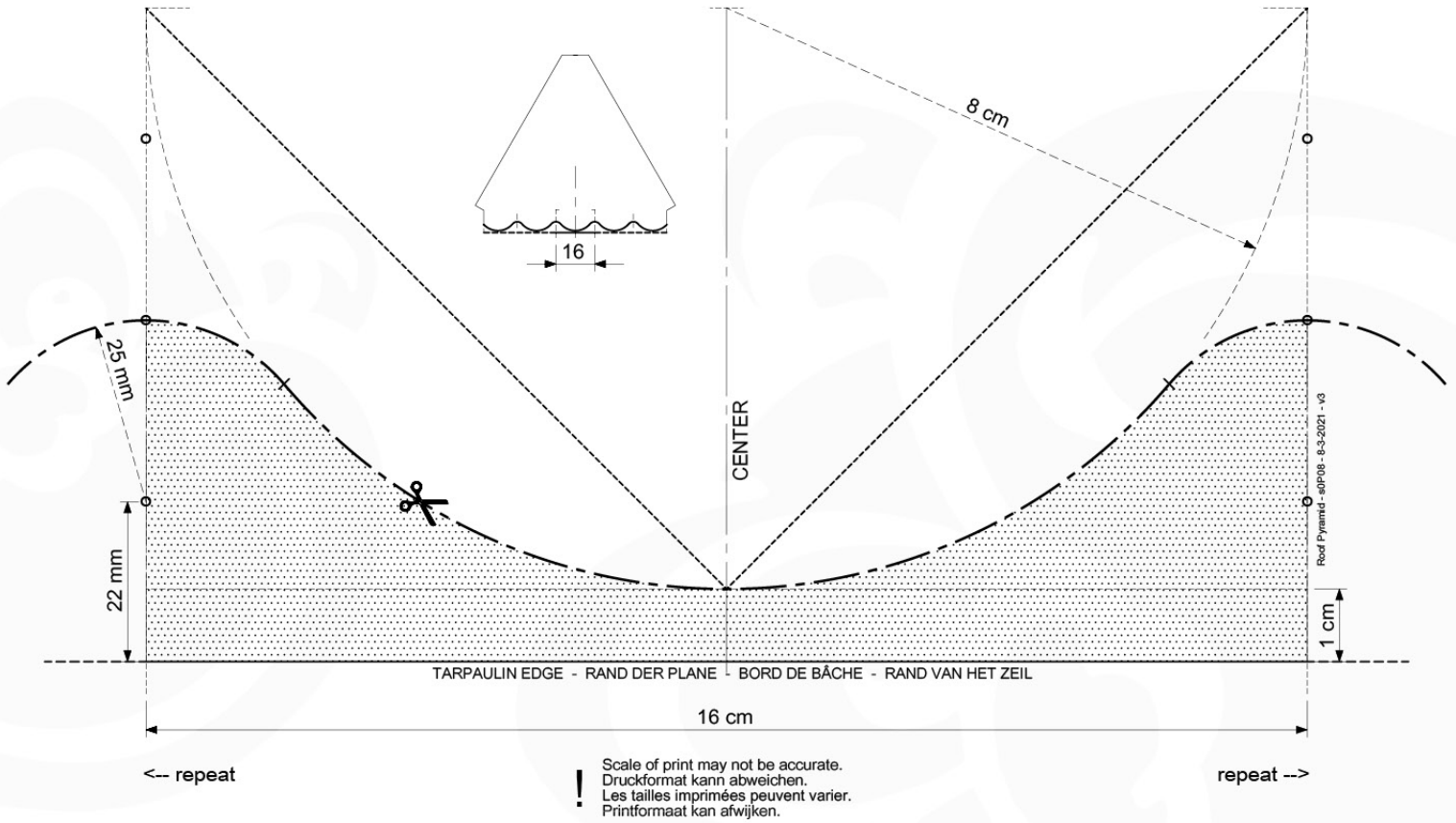
09-5



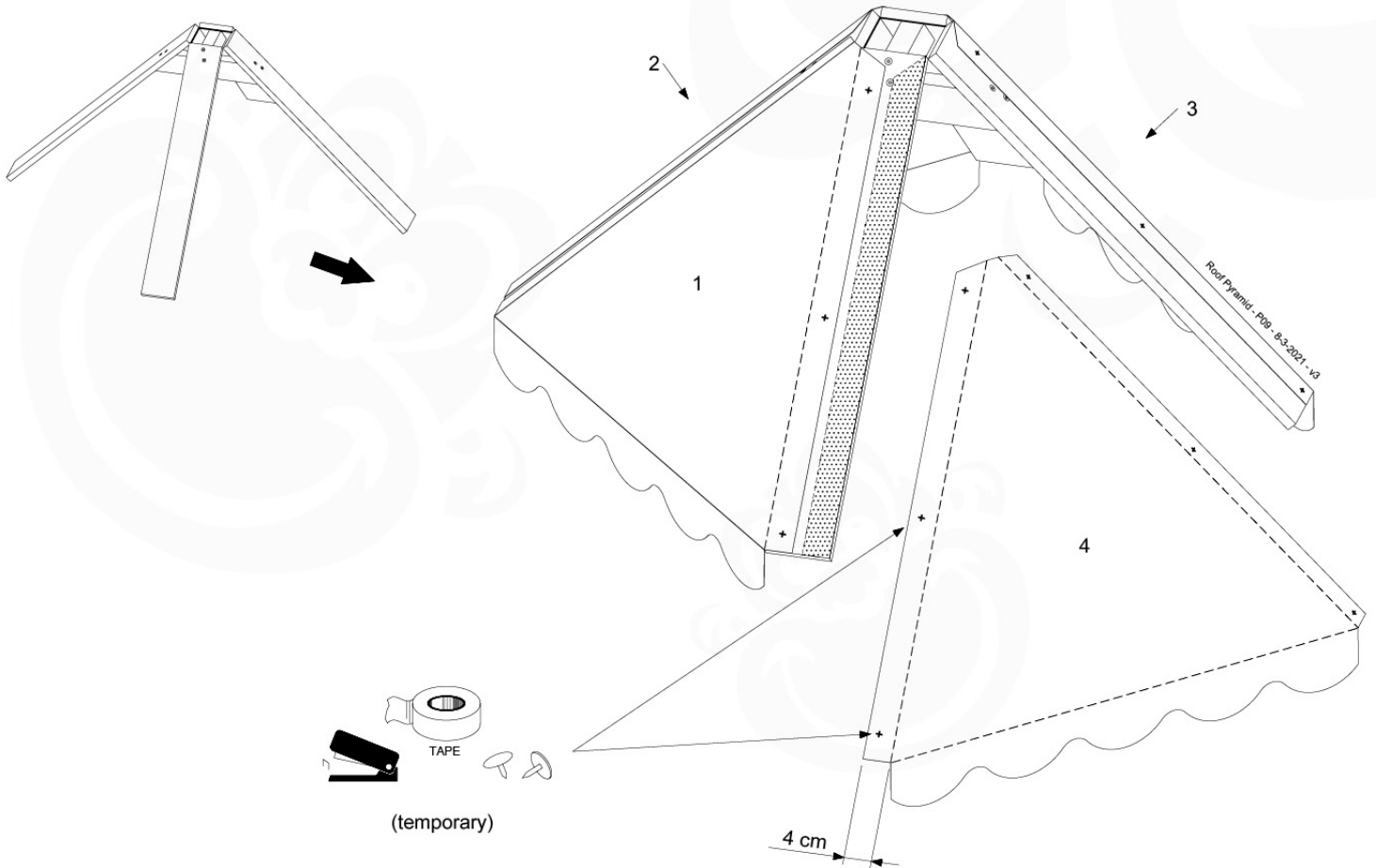
4x →

09-6

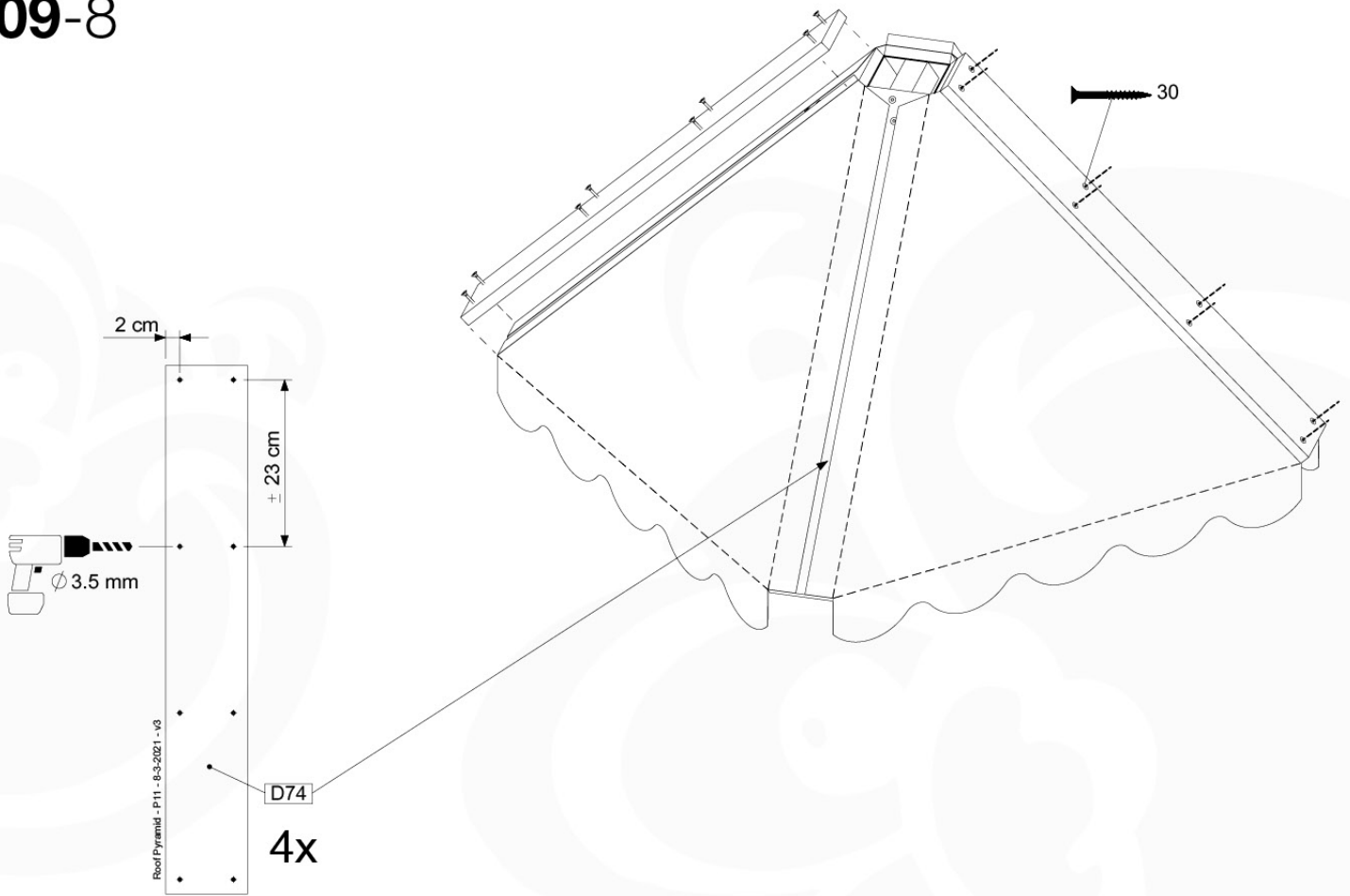
EXAMPLE PATTERN FOR ROOF SIDES - BEISPIELVORLAGE FÜR DACHMARKISE - SCHÉMA SUGGÉRÉ DE DÉCOUPE - VOORBEELDSJABLOON DAKLUIFEL



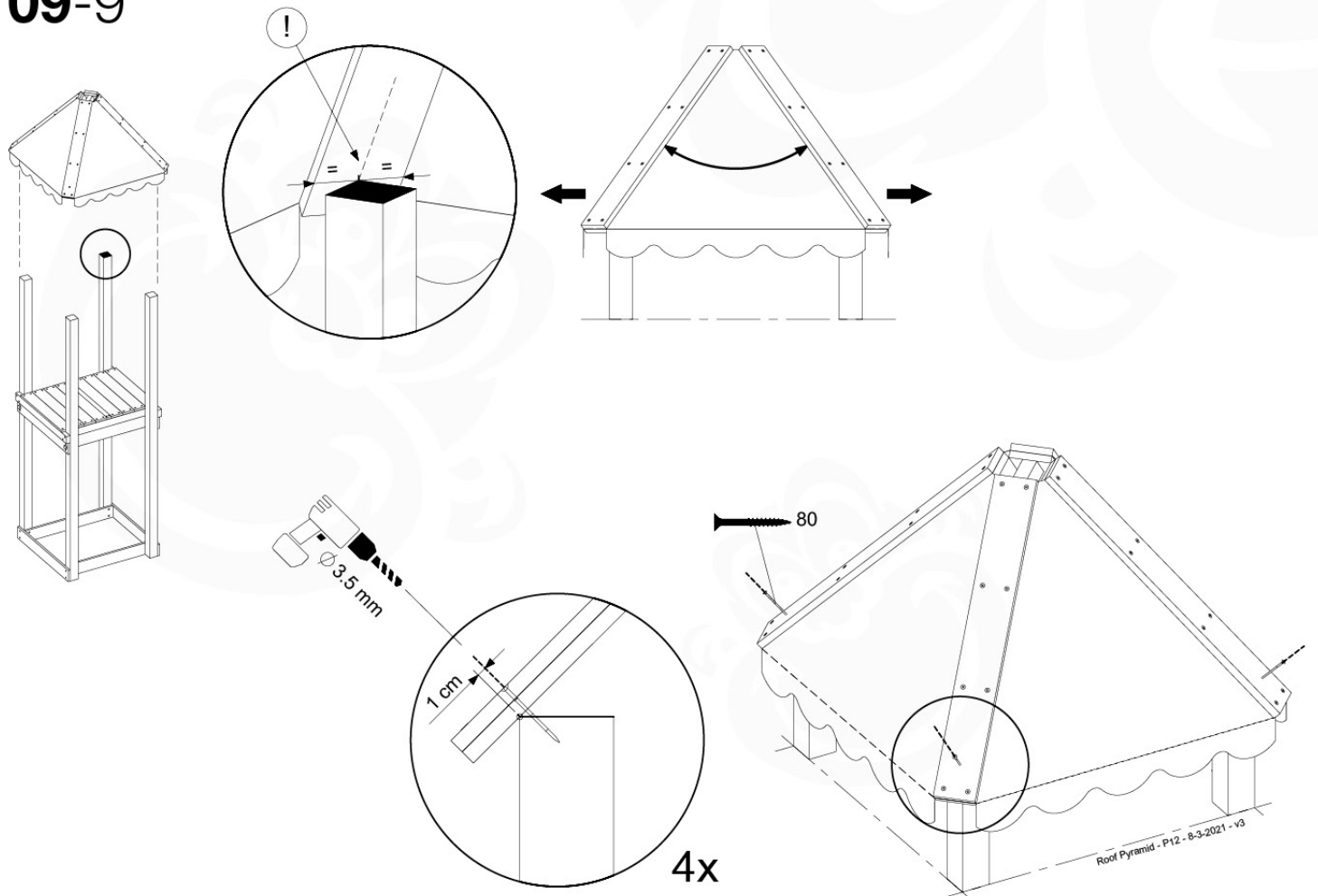
09-7



09-8



09-9



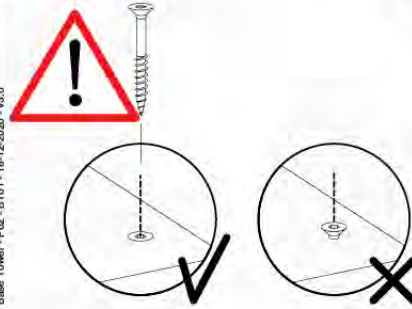
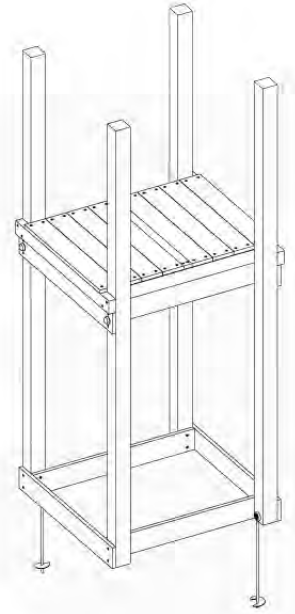
10 Base Tower

BT01

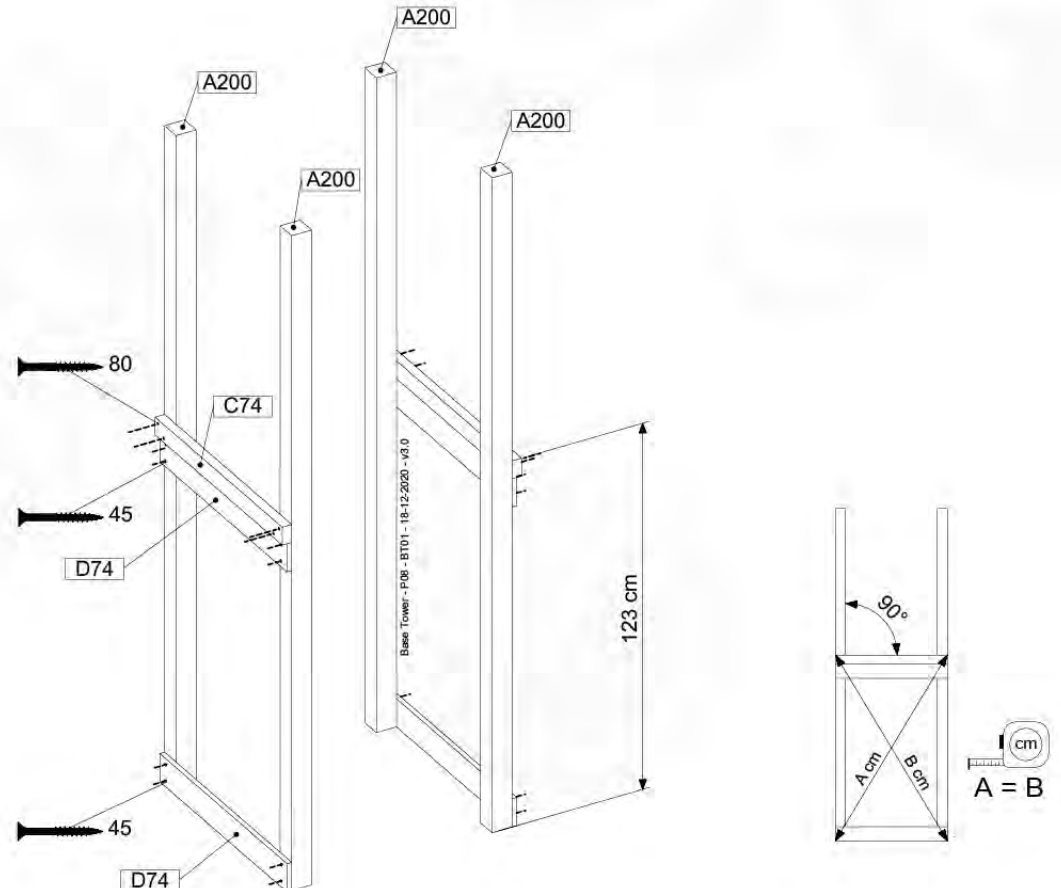
(194_100)

	PartNo	PartName	QTY.
Hardware Pack 100_600	001_406	Stealth Screw 8x45	6
	002_220	Gap Point Screw T25 - 5x45	72
	002_223	Gap Point Screw T25 - 5x80	16
Other	007_001	Ground-anchor	2
Hardware Pack 100_600	022_31x	bpc-base version 3	4
	022_84x	bpc cover	4
Wood	A200	Post 70x70 L2000	4
	C74	Beam 740 mm	4
	D60	Board 600 mm	10
	D74	Board 740 mm	8

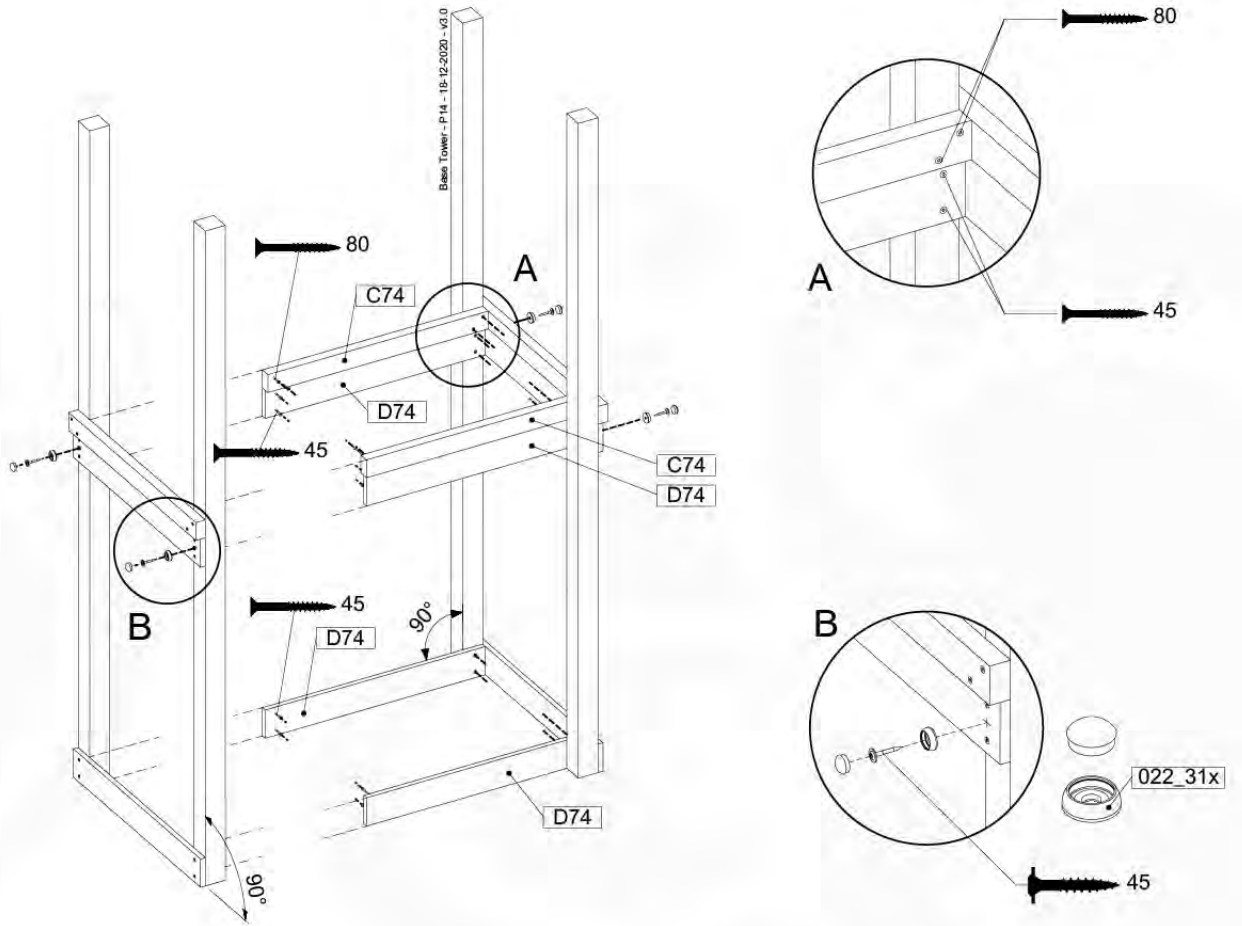
Base Tower - P02 - BT01 - 18-12-2020 - v3.0



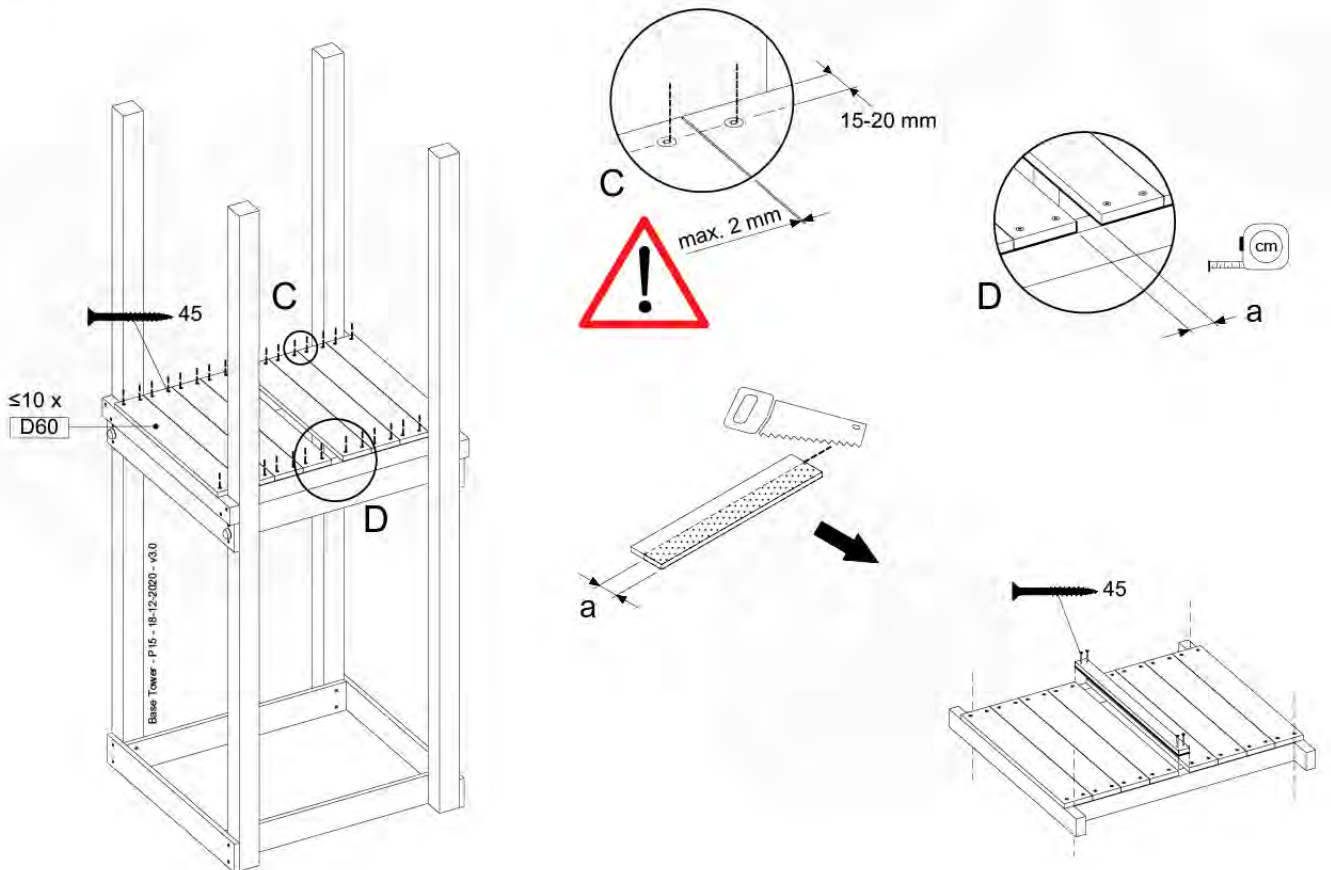
10-1



10-2



10-3



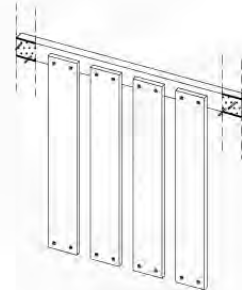
11 Balustrade (2x)

BL01

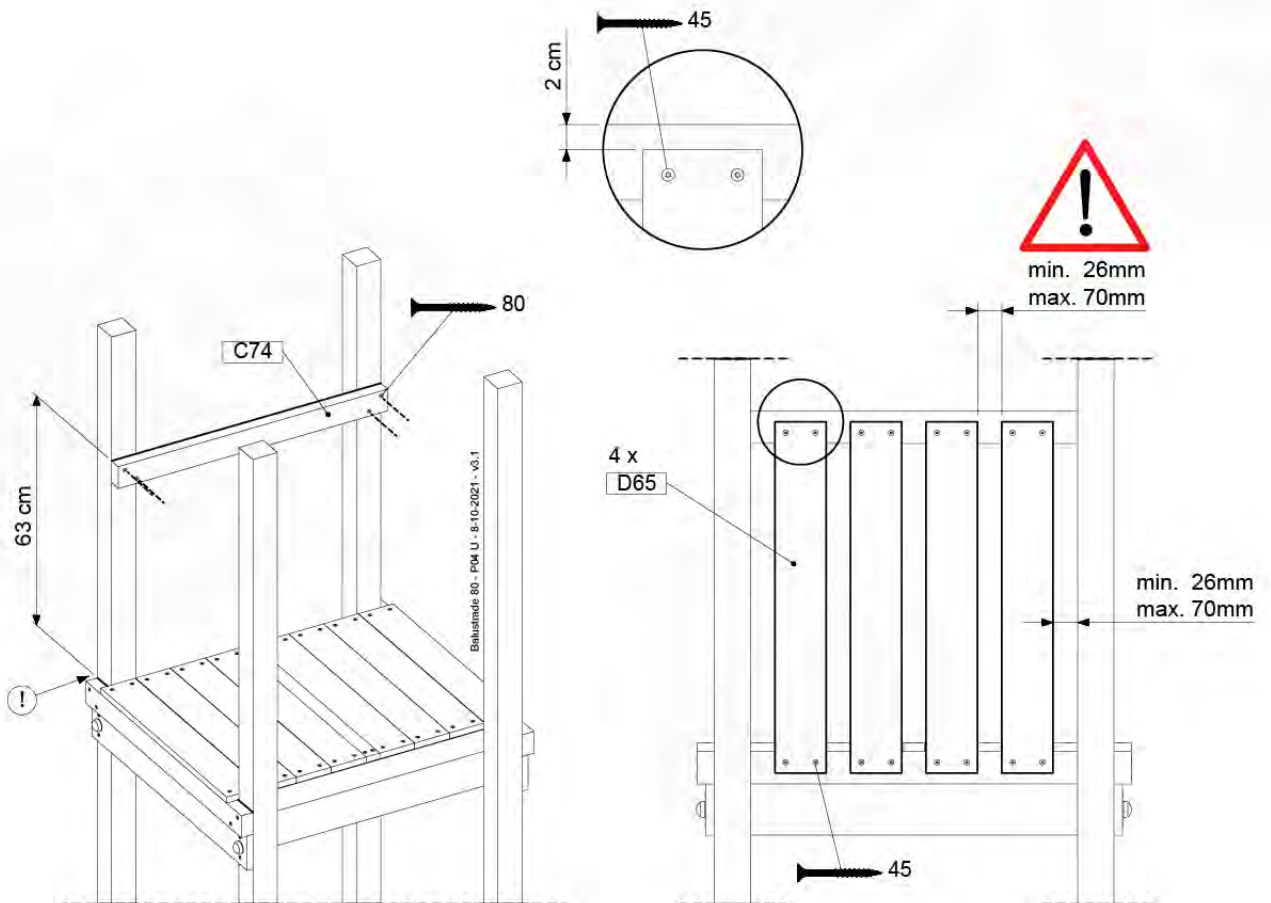
(194_101)

	PartNo	PartName	QTY.
Hardware Pack 100_601	002_220	Gap Point Screw T25 - 5x45	16
	002_223	Gap Point Screw T25 - 5x80	4
Wood	C74	Beam 740 mm	1
	D65	Board 650 mm	4

Balustrade 80 - PO2 U - 8-10-2021 - v3.1



11-1



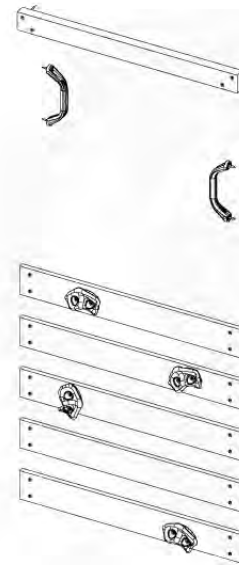
12 Rock Wall

RW02

(194_105)

	PartNo	PartName	QTY.
Hardware pack 100_604	001_102	Washer Head Screw T40 M8x30	8
	002_220	Gap Point Screw T25 - 5x45	24
	002_223	Gap Point Screw T25 - 5x80	4
	003_010	M8 spring lock washer	8
	004_050	M8 22mm Drive in Nut	8
Other	022_50x	Climbing Rock	4
	120_102	Handgrip set (2x Complete)	1
Timber	C74	Beam 740 mm	1
	D74	Board 740 mm	5

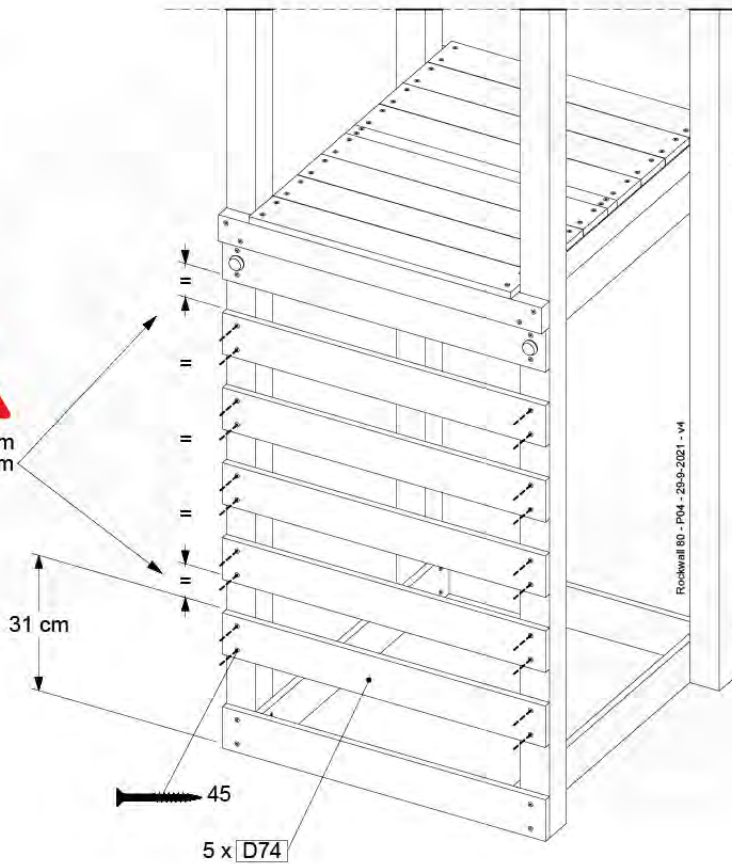
Rockwall 80 - P02 - 25-9-2021 - v4



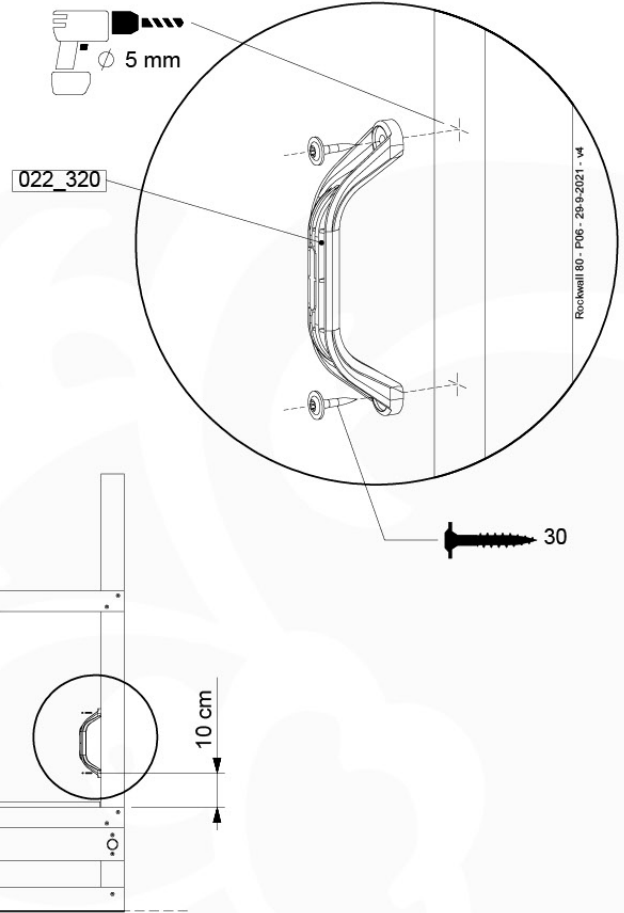
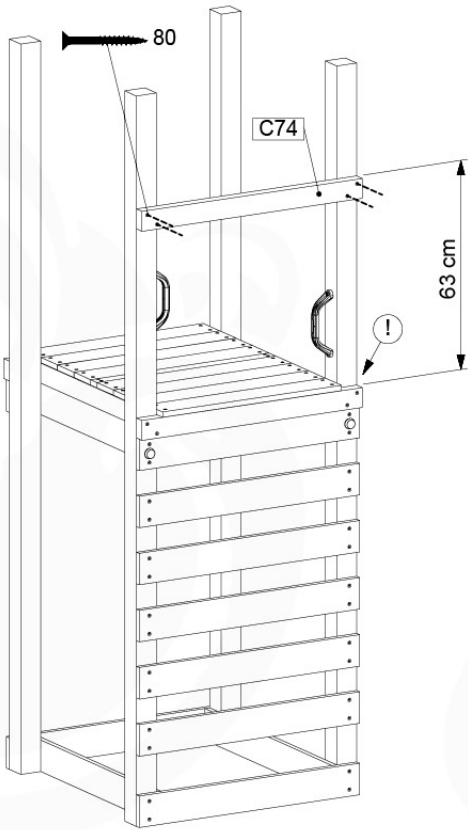
12-1



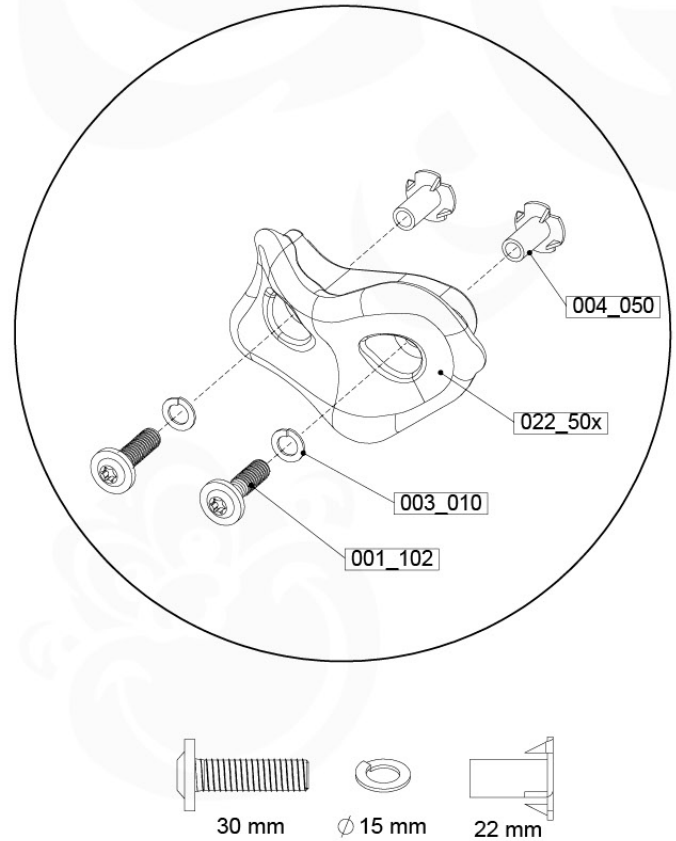
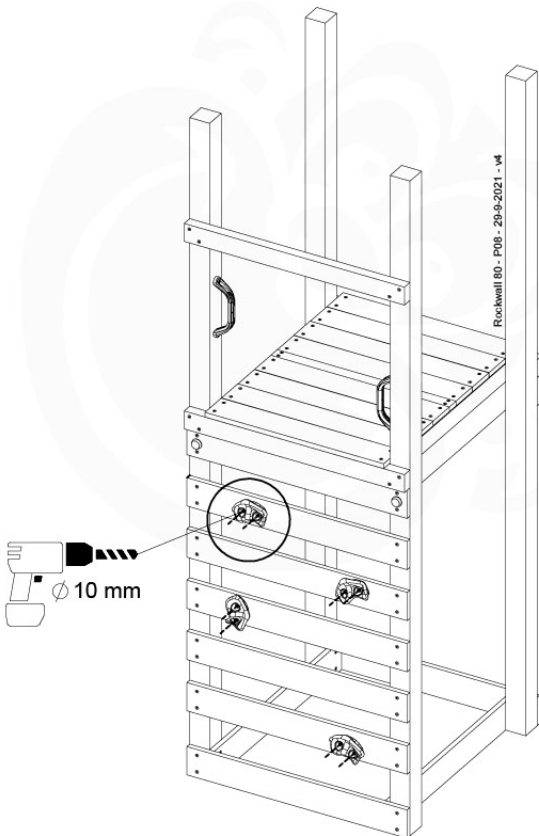
min. 2,6 cm
max. 8,8 cm



12-2



12-3



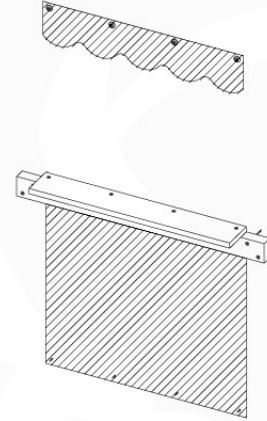
13 Market

MT01

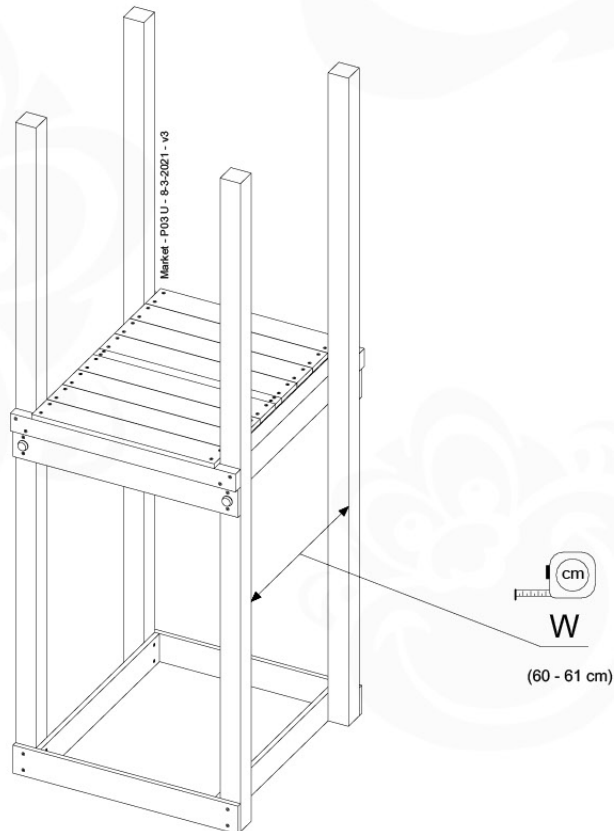
(194_113)

	PartNo	PartName	QTY.
Hardware Pack 100_611	002_220	Gap Point Screw T25 - 5x45	4
	002_223	Gap Point Screw T25 - 5x80	4
	002_308	Gap Point Screw T25 - 5x20	8
	023_031	Finishing Washer GPS 5.0	8
Other	123_220	Canvas sheet 735x1365	1
Wood	C74	Beam 740 mm	1
	D60	Board 600 mm	1

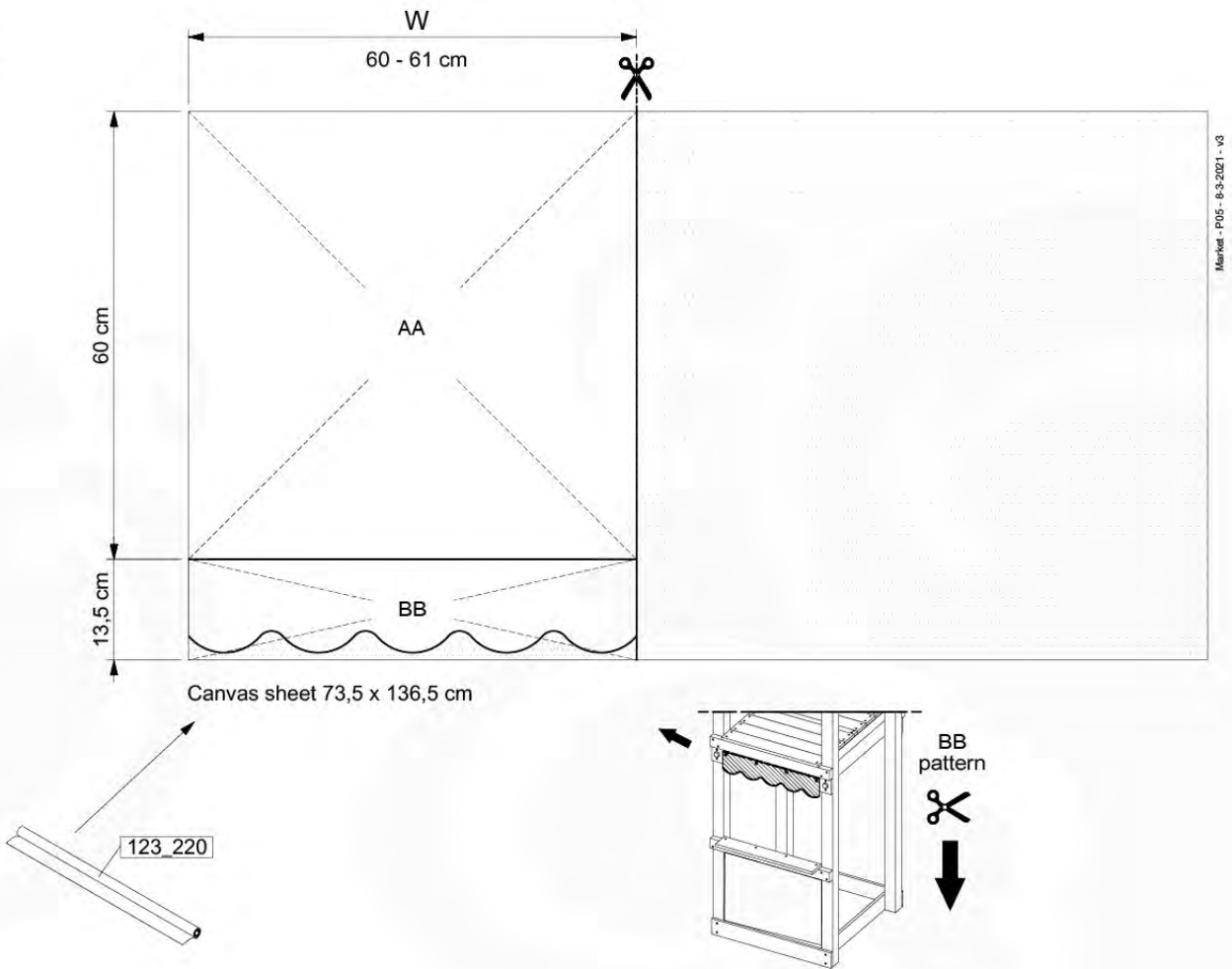
Market - P02 - 8-3-2021 - v3



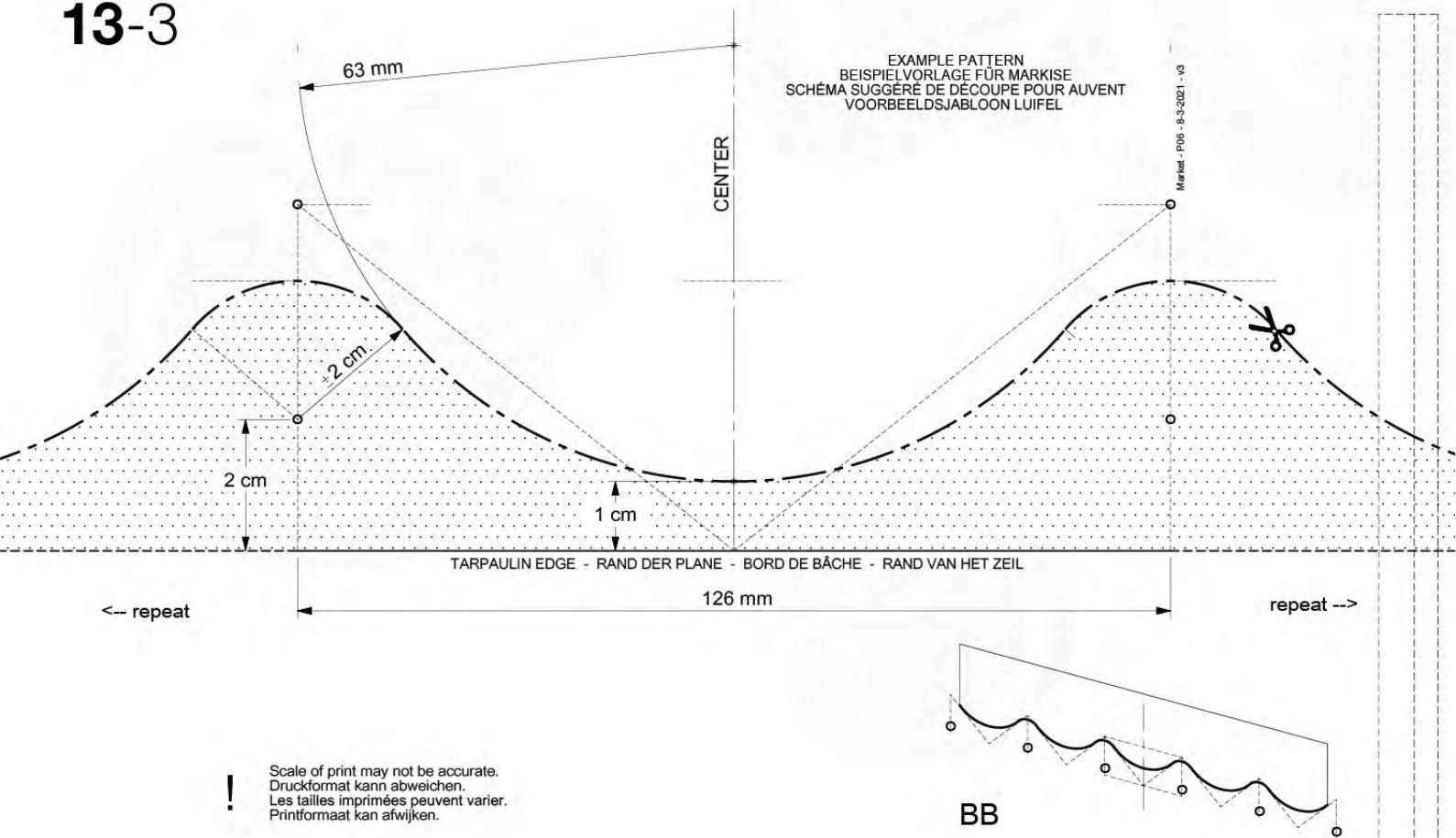
13-1



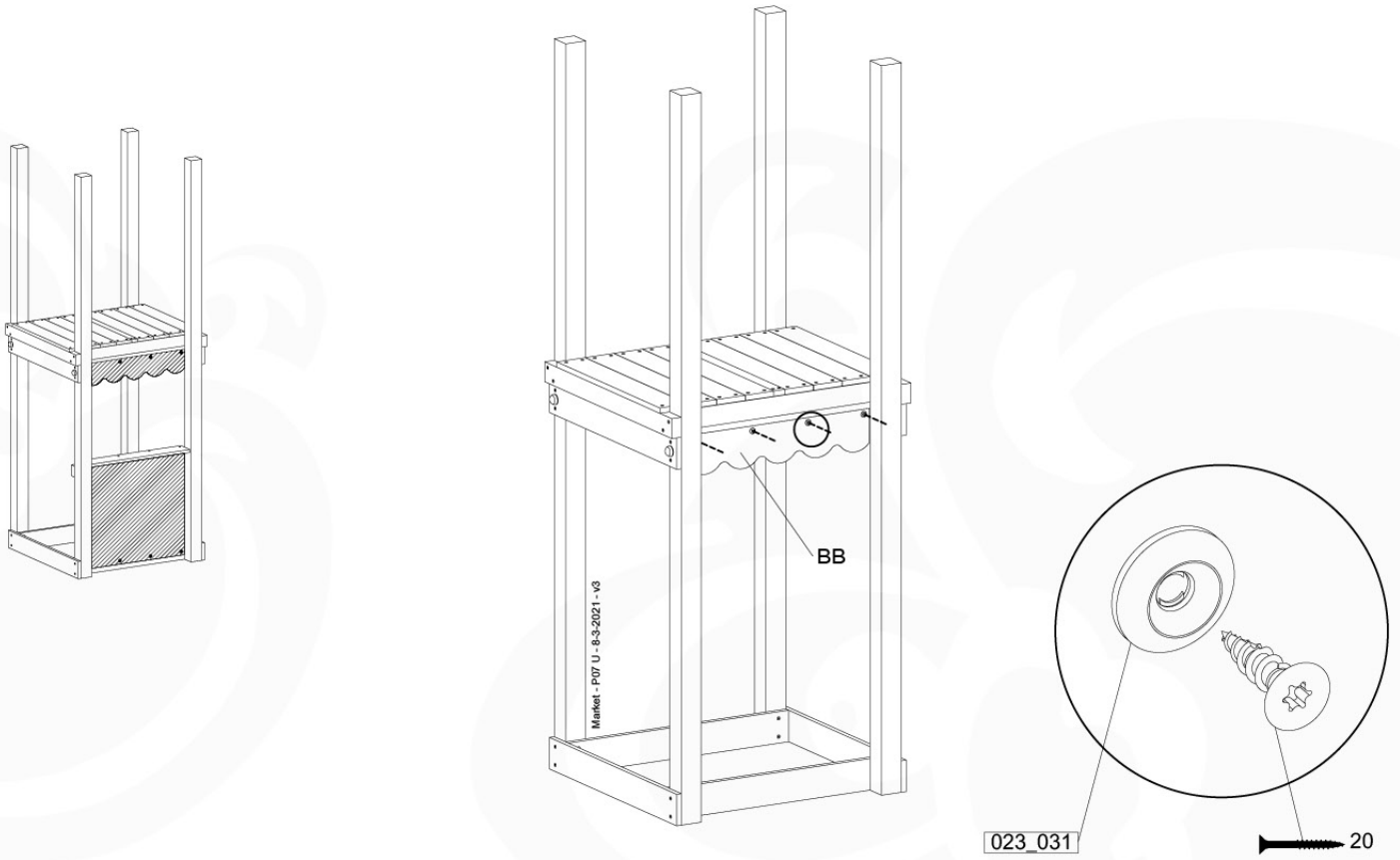
13-2



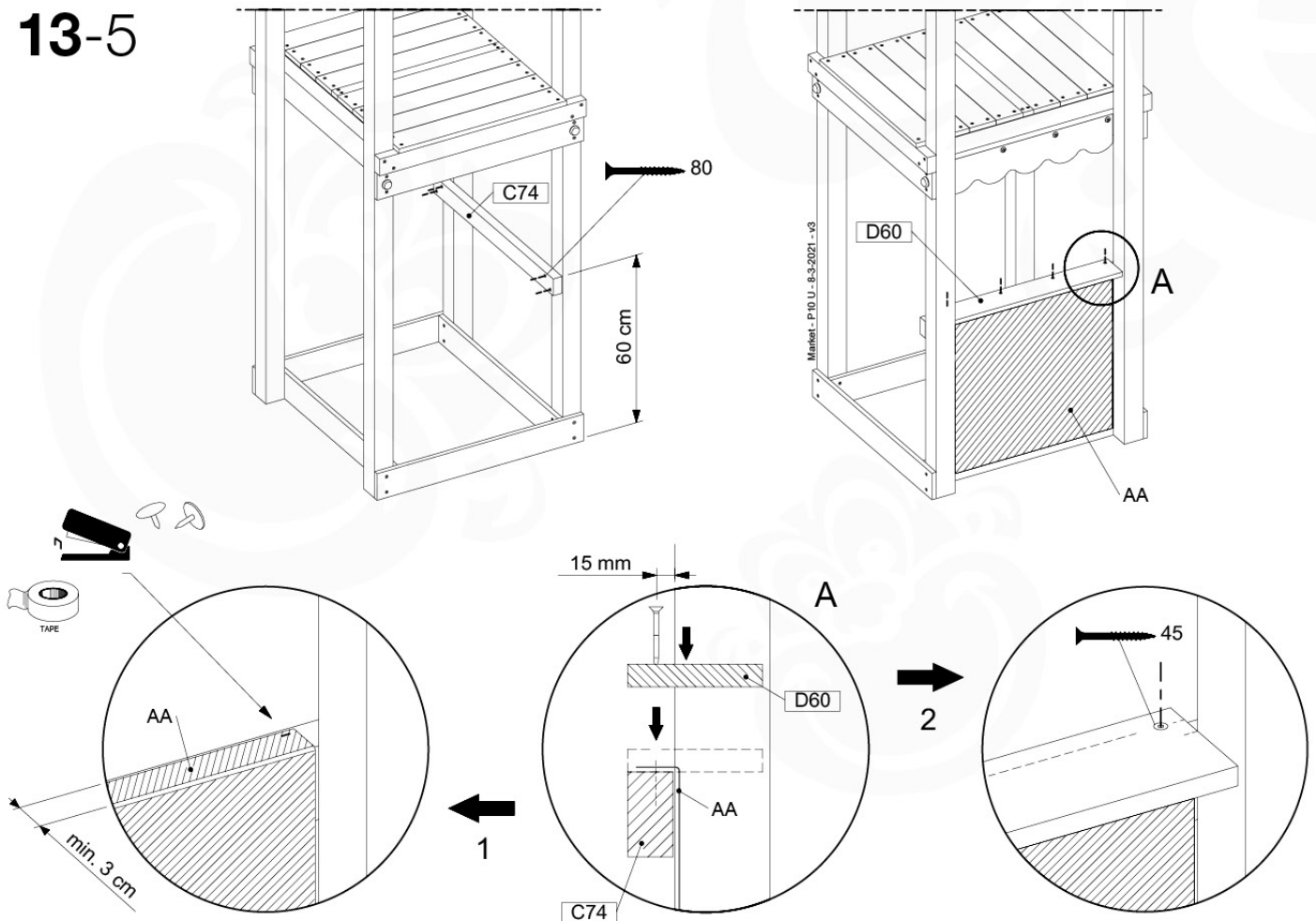
13-3



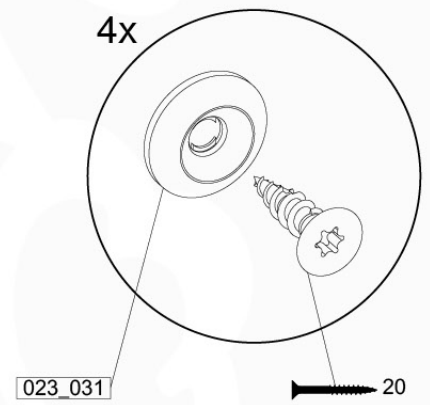
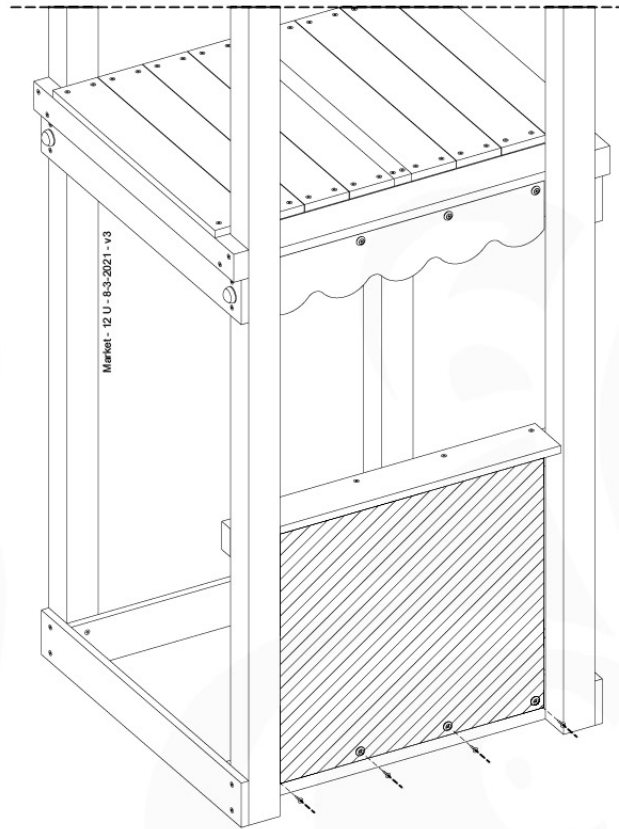
13-4



13-5



13-6



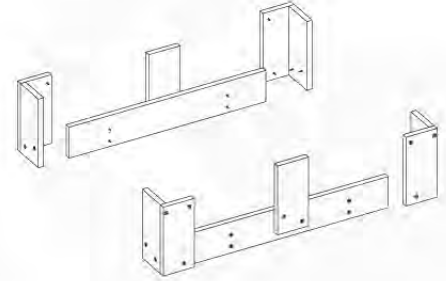
14 Roof Lookout

RF06

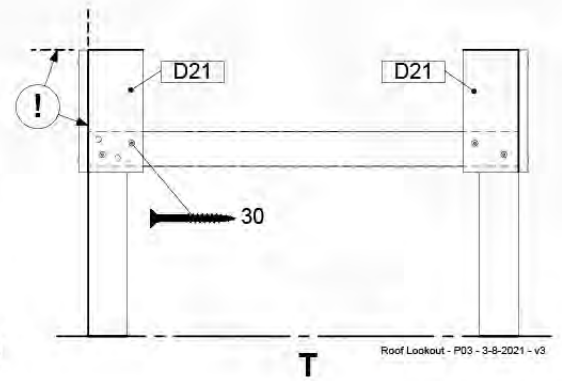
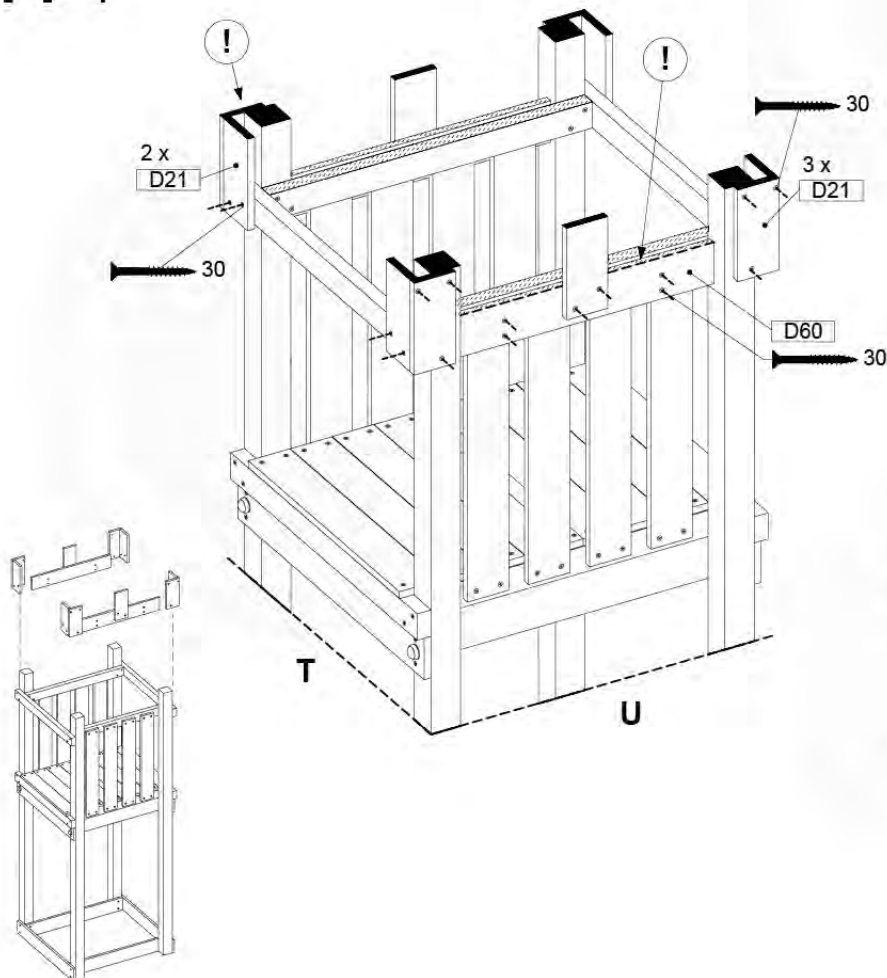
(194_112)

	PartNo	PartName	QTY.
Hardware Pack 100_610	002_219	Gap Point Screw T25 - 5x30	32
Wood	D21	Board 210 mm	10
	D60	Board 600 mm	2

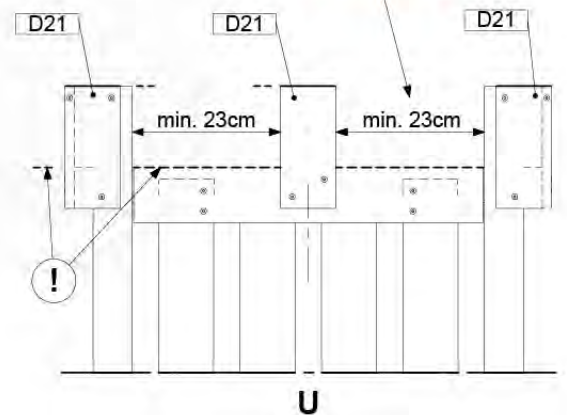
Roof Lookout - P02 - 3-8-2021 - v3



14-1



Roof Lookout - P03 - 3-8-2021 - v3



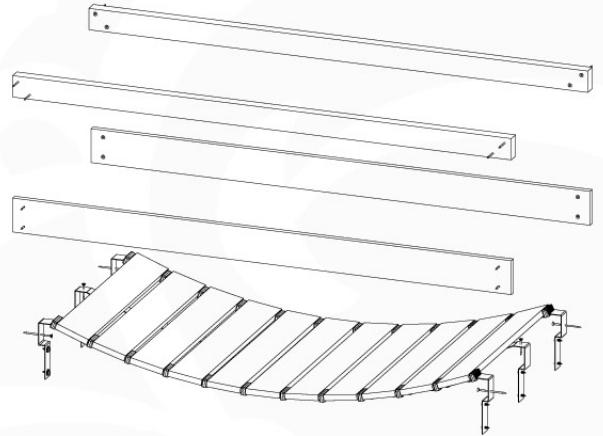
15 Clatter Bridge

CB01

(194_116)

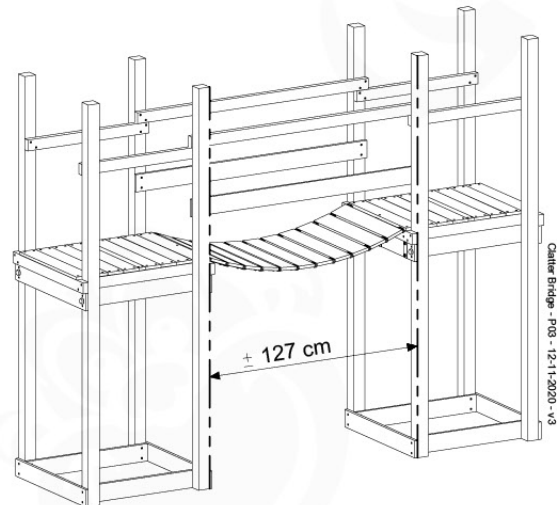
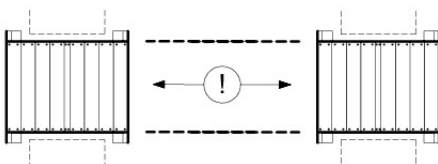
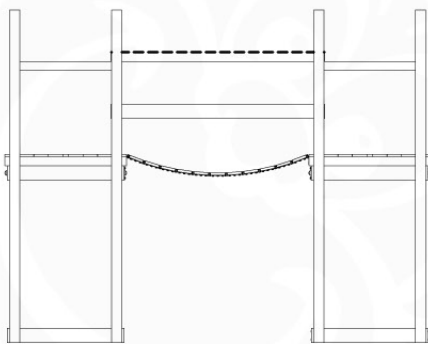
	PartNo	PartName	QTY.
Hardware Pack 100_614	002_036	16mm Pan Head Tapping Screw T25	72
	002_220	Gap Point Screw T25 - 5x45	10
	002_223	Gap Point Screw T25 - 5x80	12
	003_034	M6 Washer	72
Other	022_911	Bridge Spacer	26
	121_114	BridgeLink Strap 210cm	3
Wood	C141	Beam 1410 mm	2
	D60	Board 600 mm	12
	D141	Board 1410 mm	2

Clatter Bridge - P02 - 12-11-2020 - v3

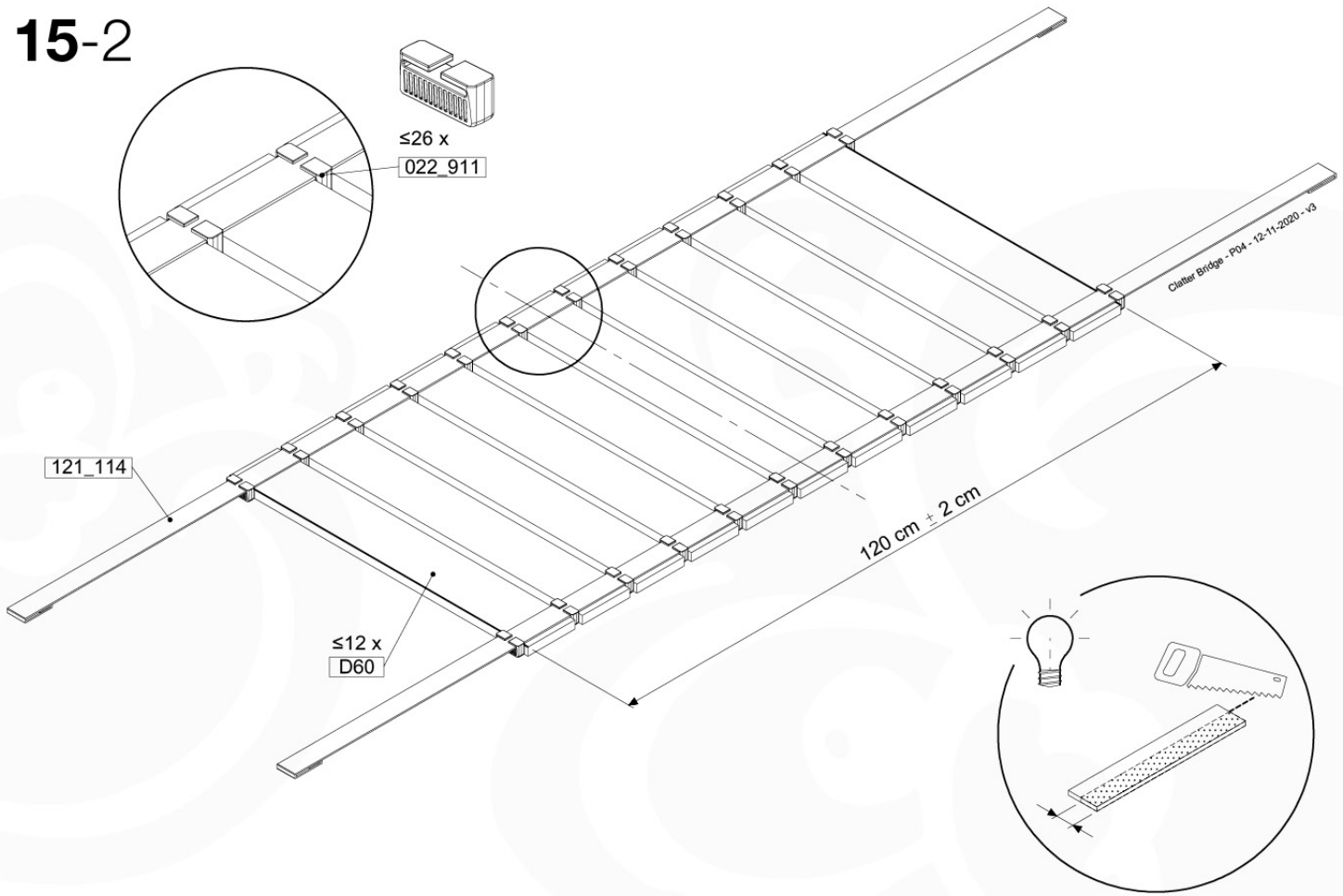


© 2022 Jungle Gym B.V. All Rights Reserved.

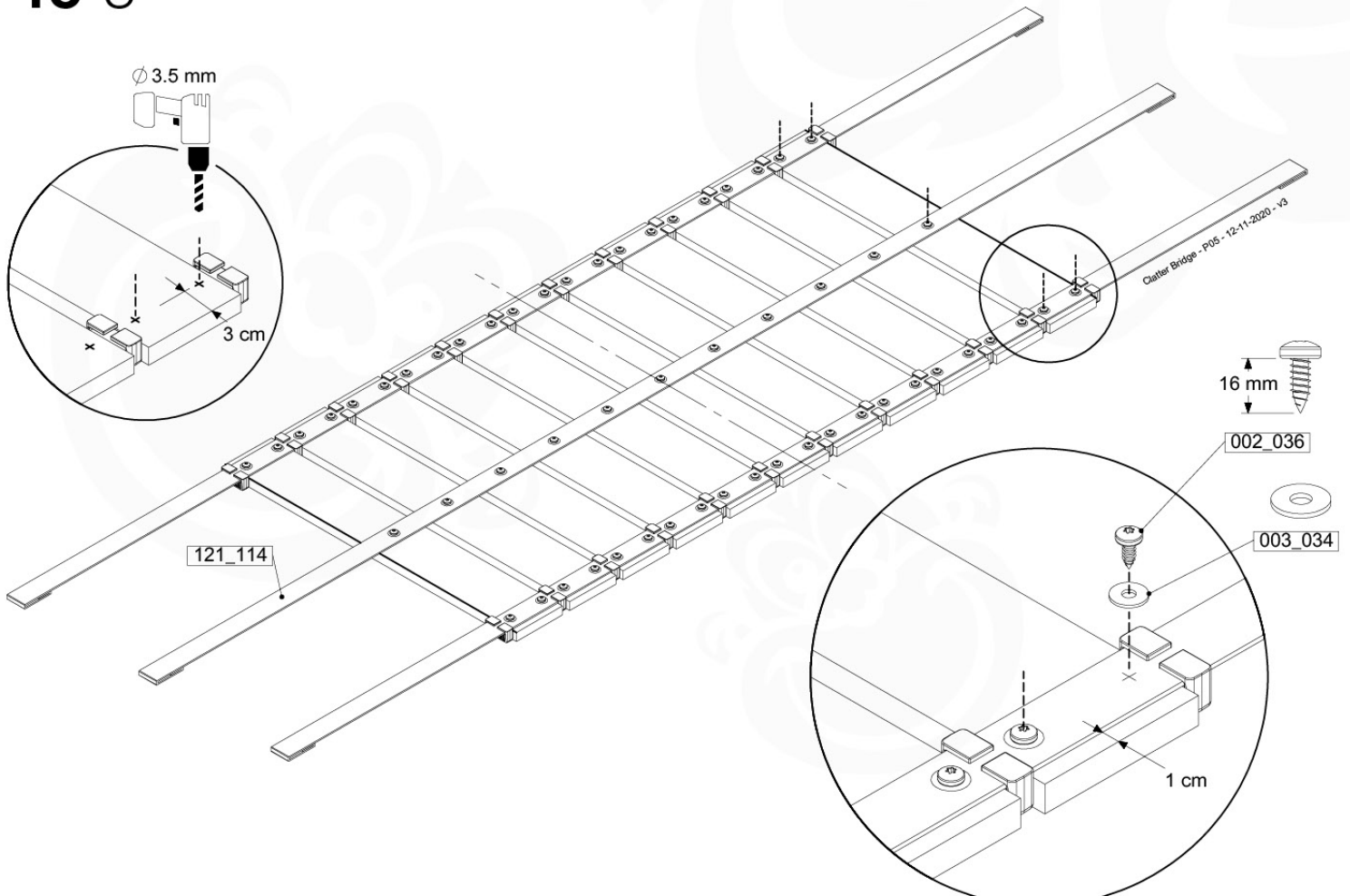
15-1



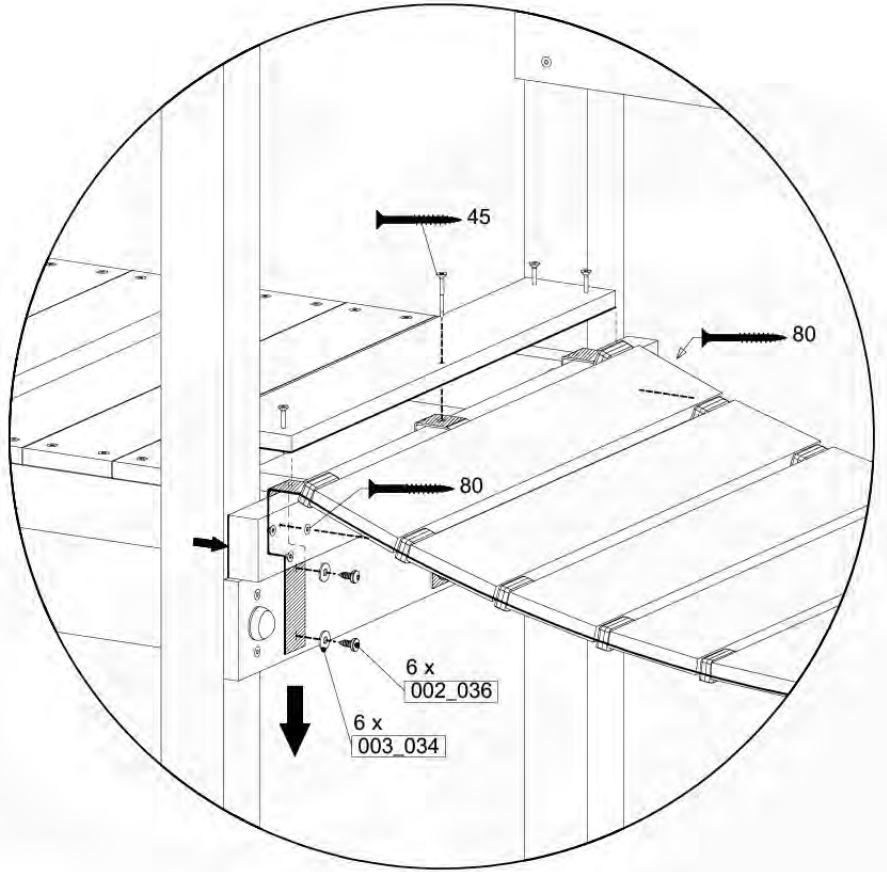
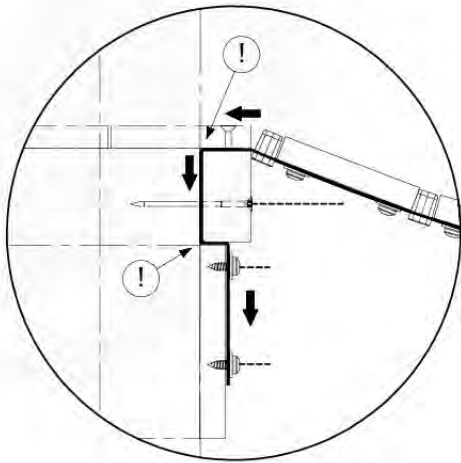
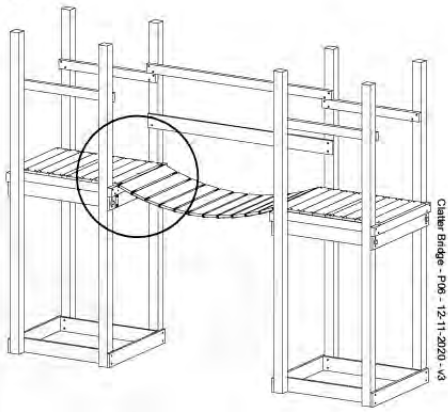
15-2



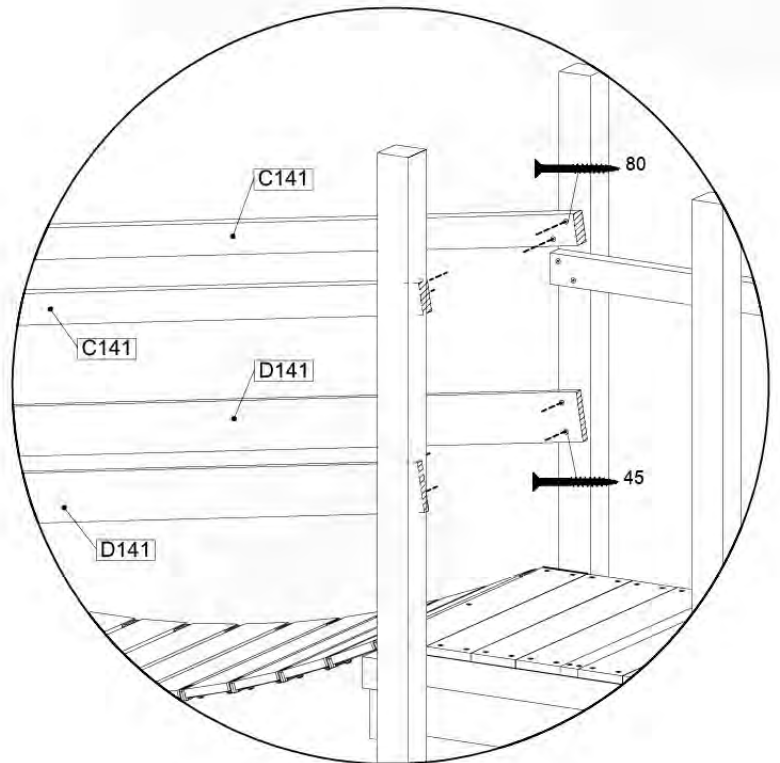
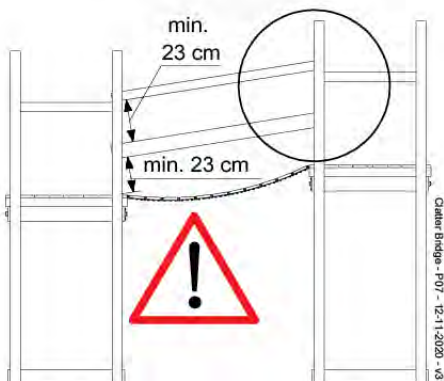
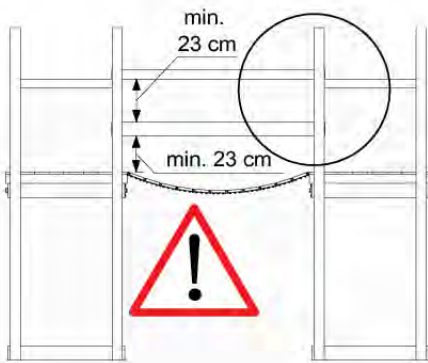
15-3



15-4



15-5



16 Ladder

LA04

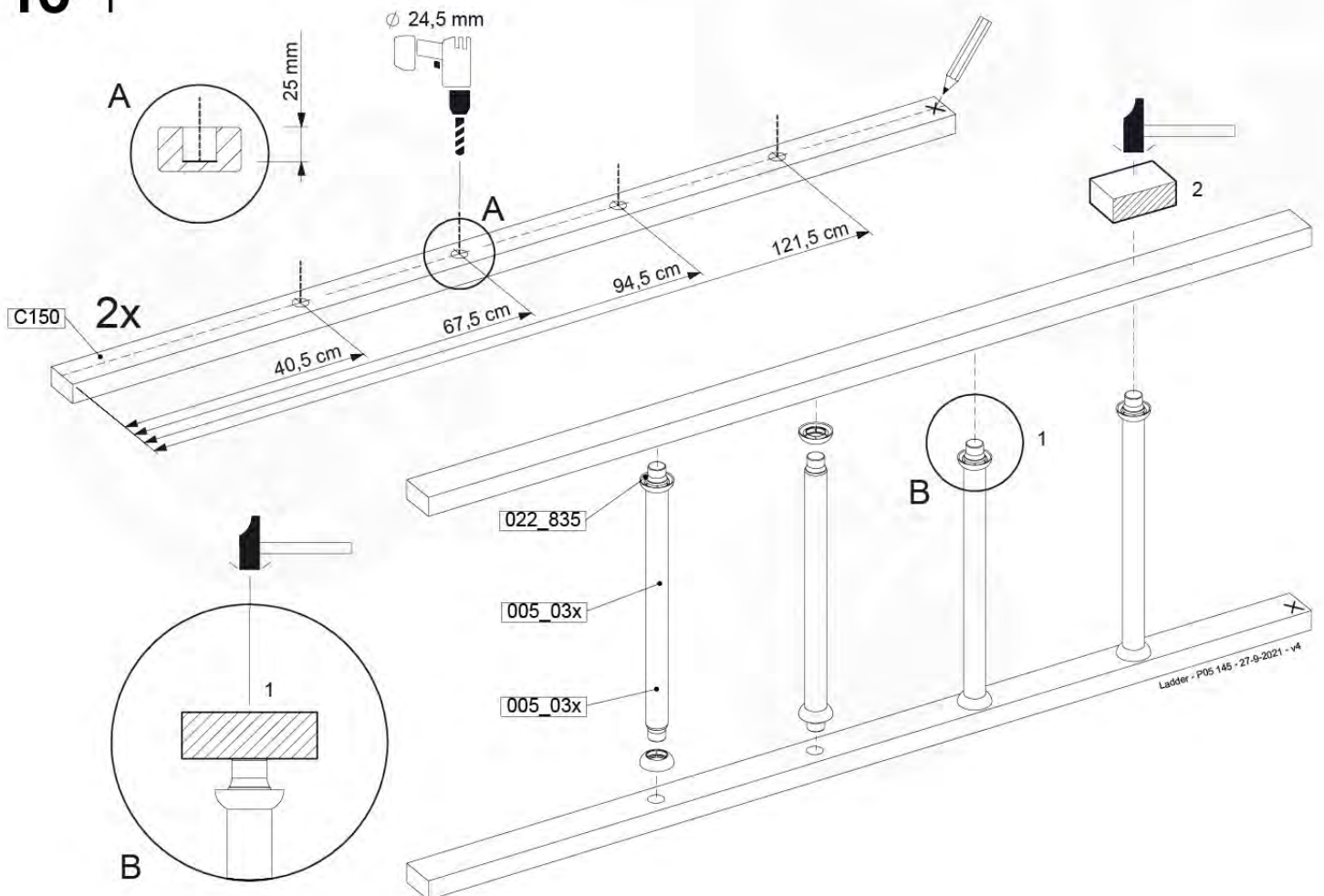
(194_104)

	PartNo	PartName	QTY.
Hardware Pack 100_603	001_404	Stealth Screw 8x30	4
	002_219	Gap Point Screw T25 - 5x30	4
	002_220	Gap Point Screw T25 - 5x45	8
	002_223	Gap Point Screw T25 - 5x80	4
Other	005_03x	Ladder Rung Y/B/G/R	4
	005_522	Connection Bracket Mini Market	2
	022_835	Rung Cap	8
	120_102	Handgrip set (2x Complete)	1
Wood	C74	Beam 740 mm	1
	C150	Beam 1500 mm	2

Ladder - P05 145 - 27-9-2021 - v4

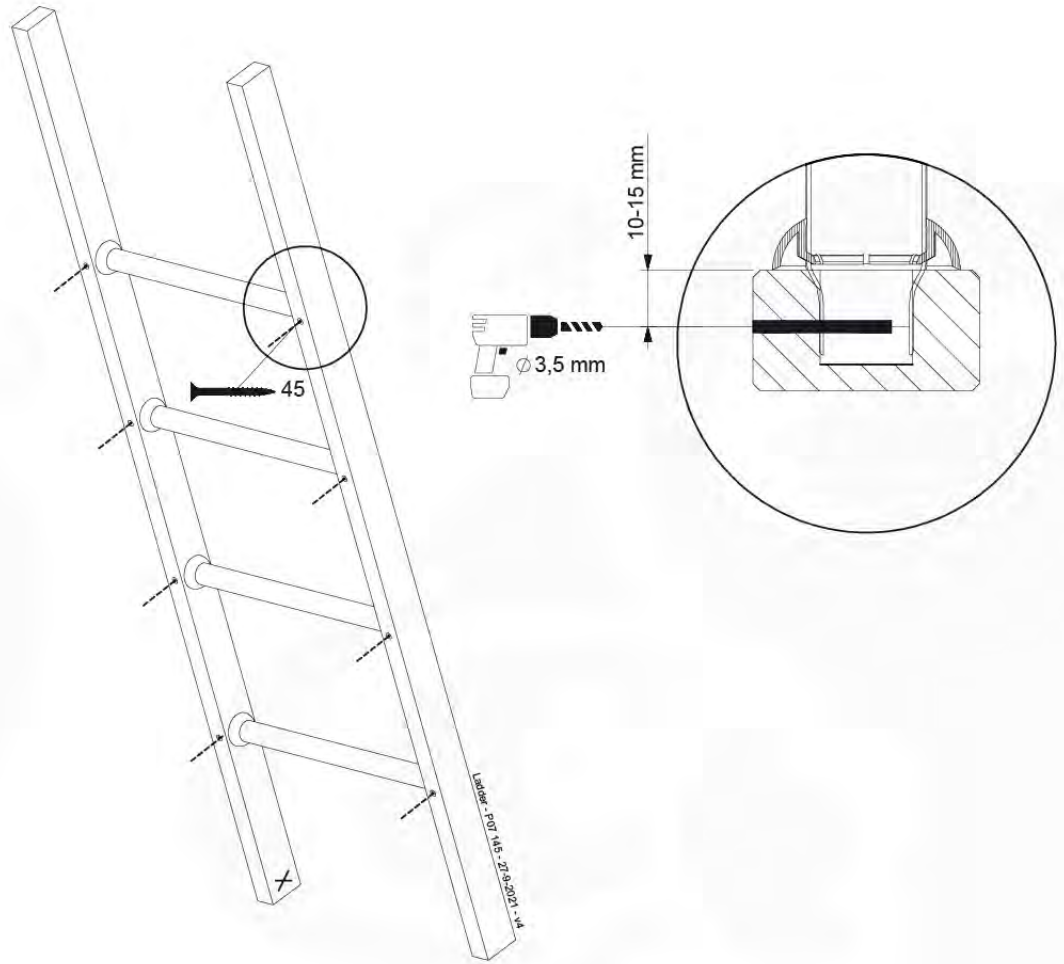


16-1

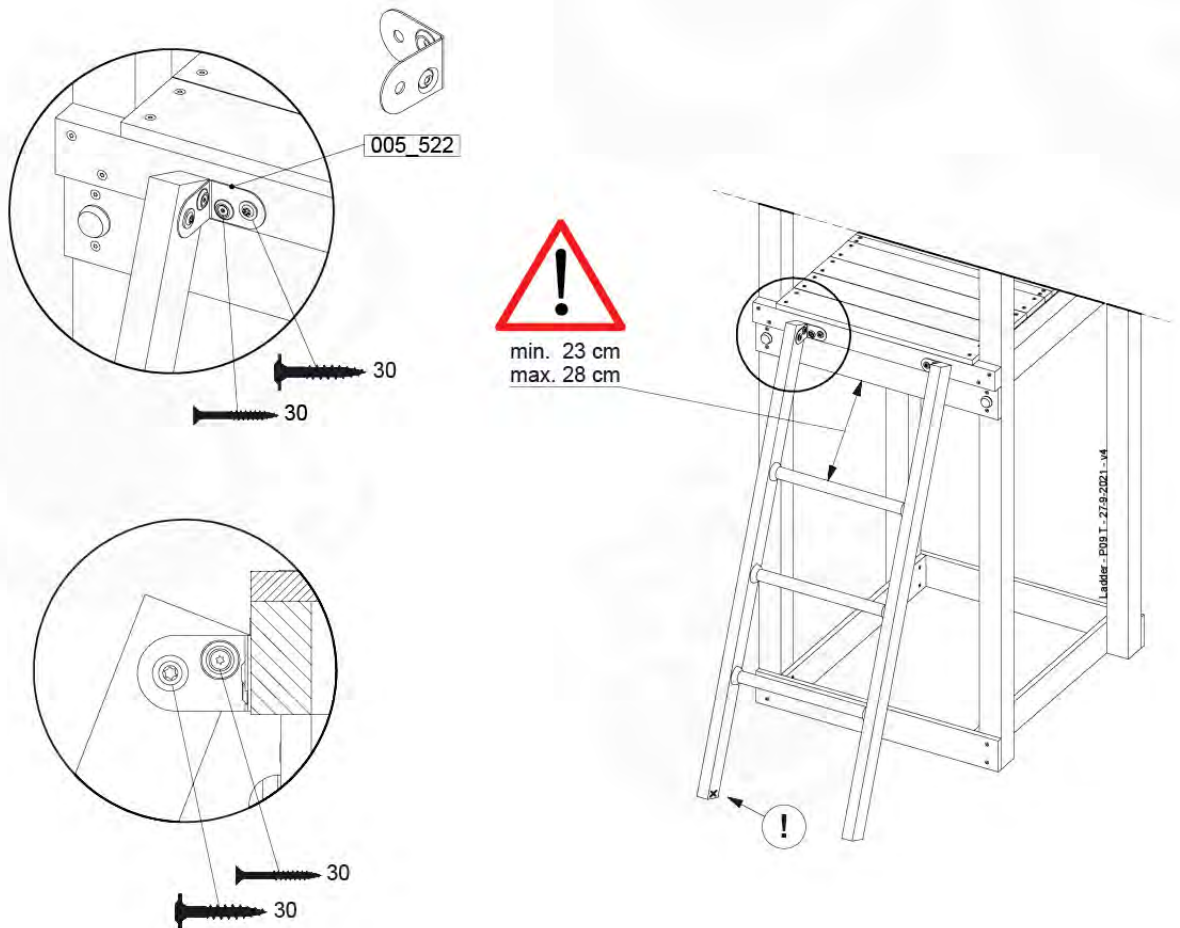


Ladder - P05 145 - 27-9-2021 - v4

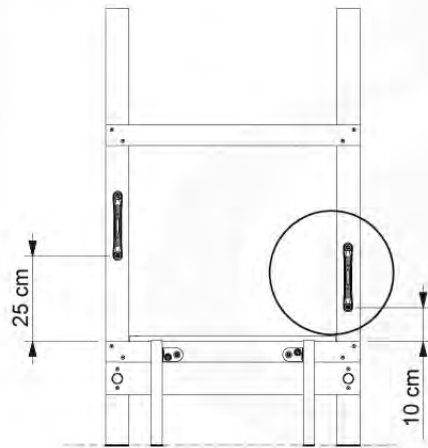
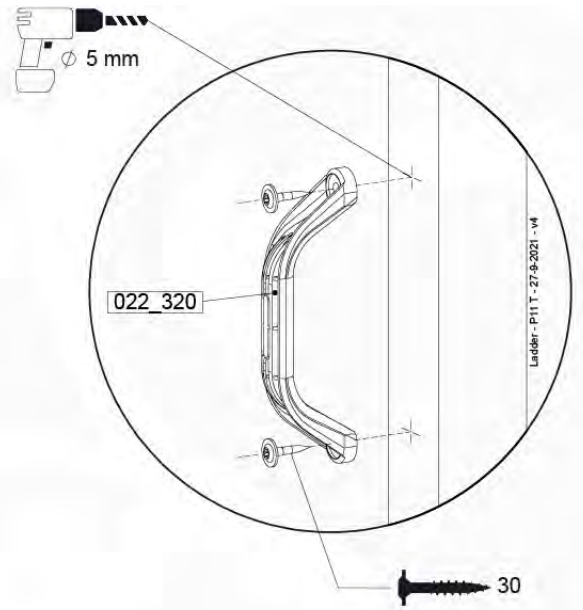
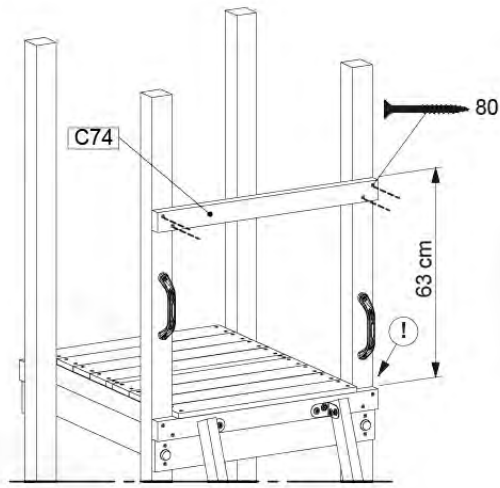
16-2



16-3



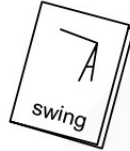
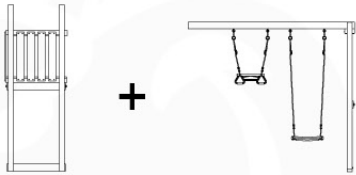
16-4



17 Swing Frame / Climb Frame

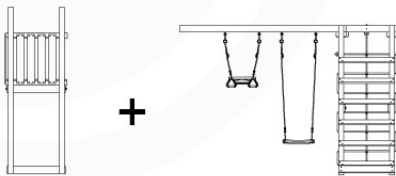


18



18

1-Swing frame / 2-Swing frame
457_101
457_102



18

1-Climb frame / 2-Climb frame
457_105
457_106

18 Ground Anchors

GA03

Parts:

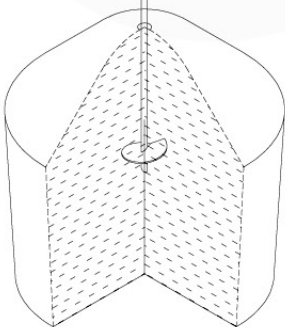
Assembly Package Tower
194_100



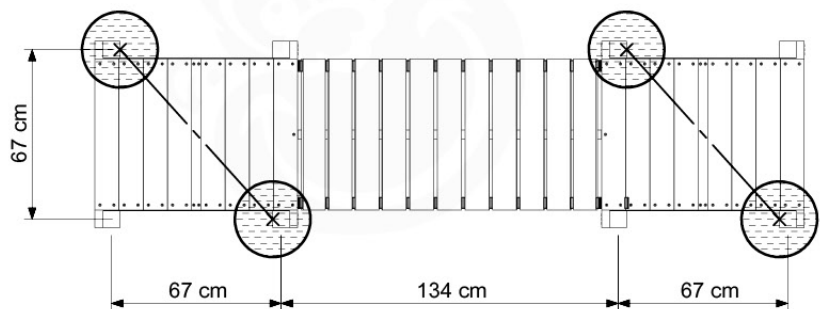
45



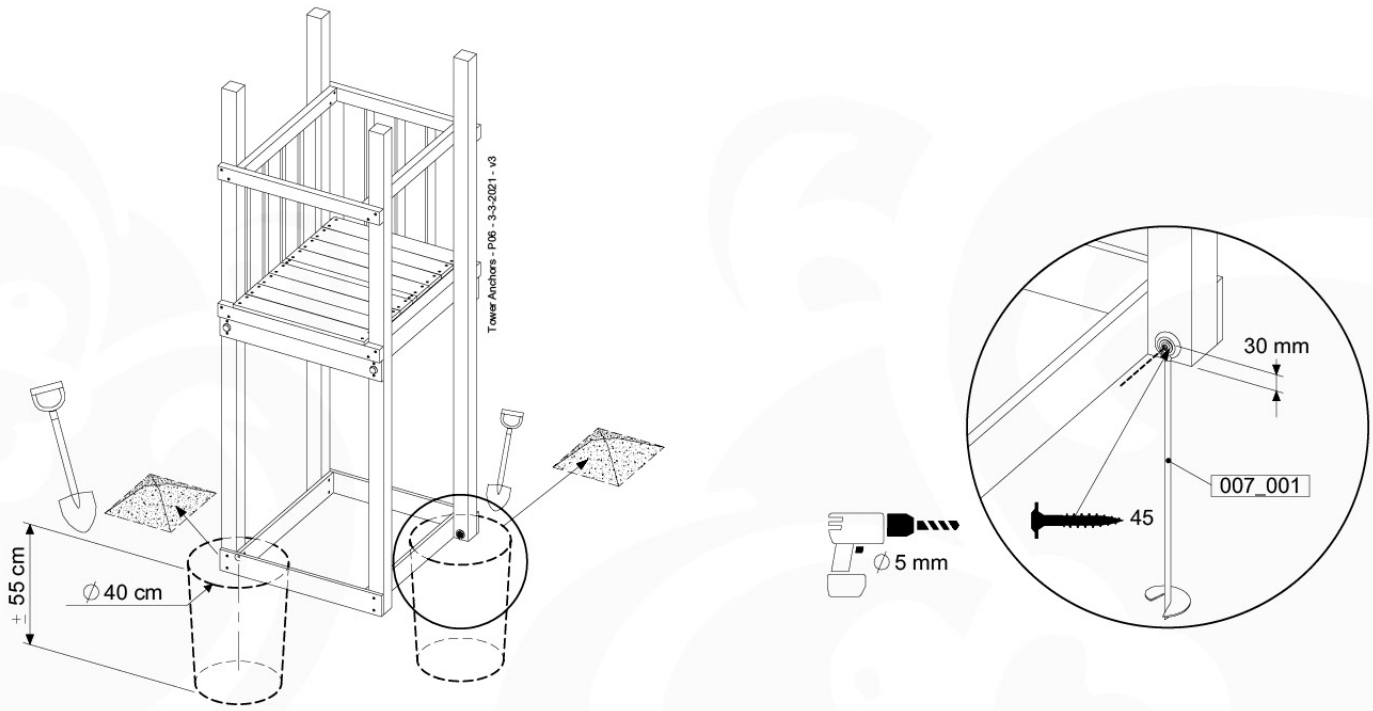
007_001



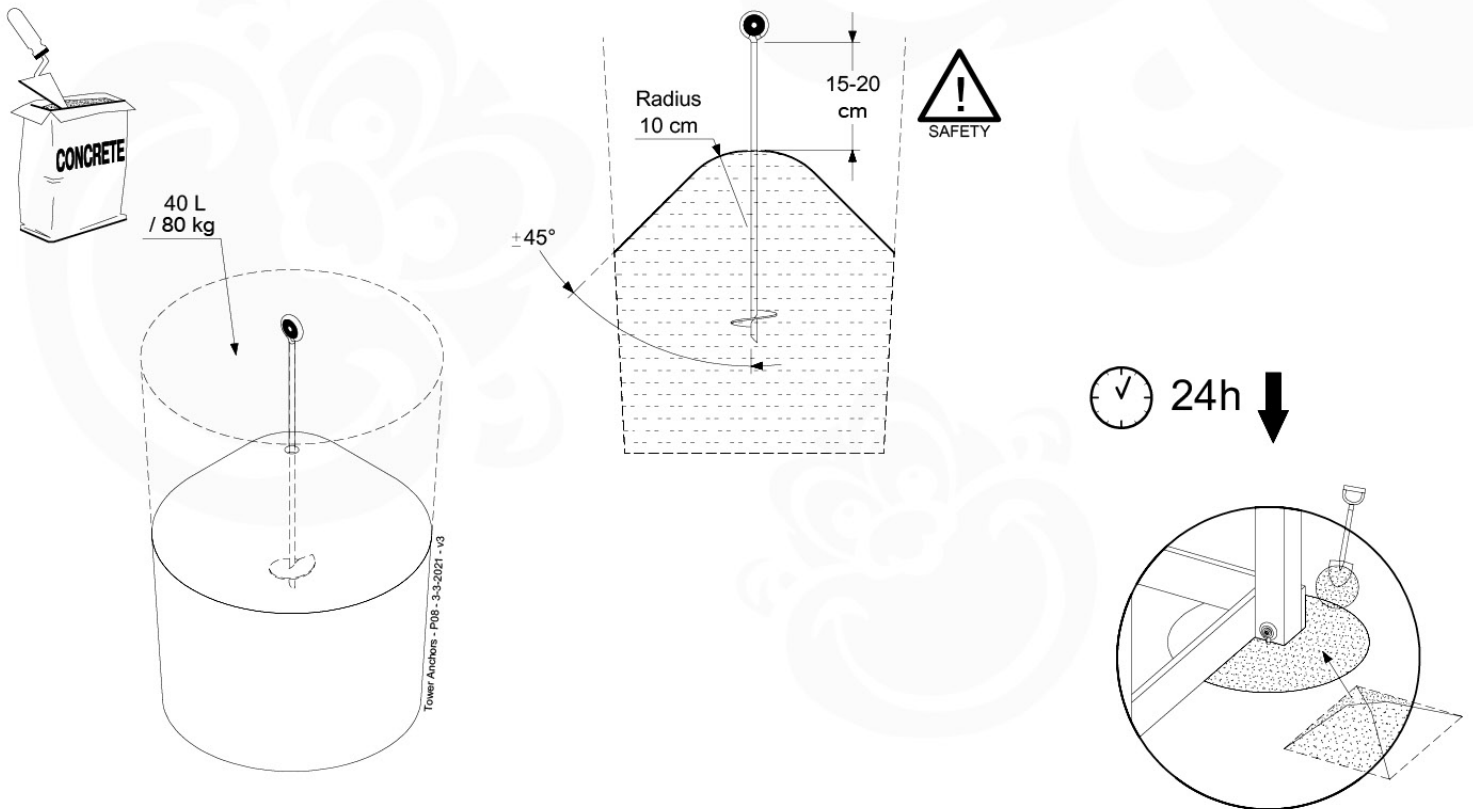
Tower Anchors - P04 - 3.9.2021 - 03



18-1



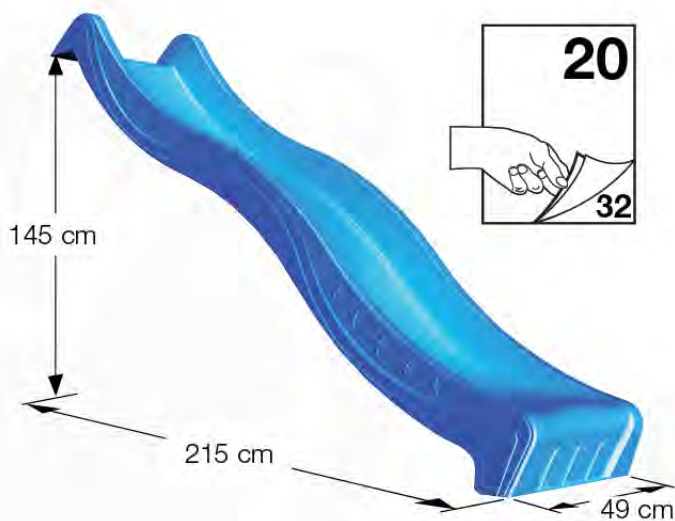
18-2



19 Add-on

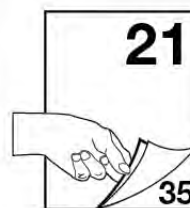
Wavy Star Slide XXL

- 334_100 Yellow
- 334_200 Blue
- 334_300 Green
- 334_400 Red
- 334_500 Fuchsia
- 334_600 Dark Green



Fireman's Pole

201_275



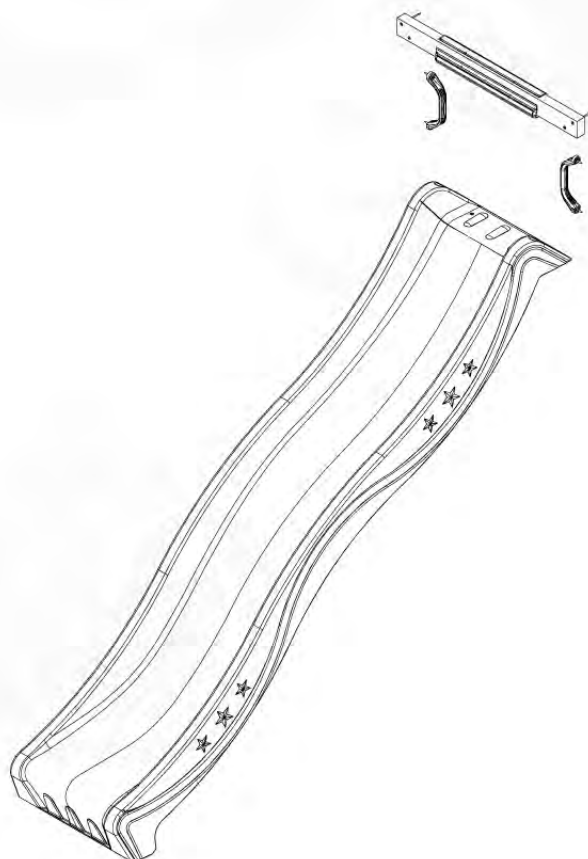
20 Slide Set

SL03

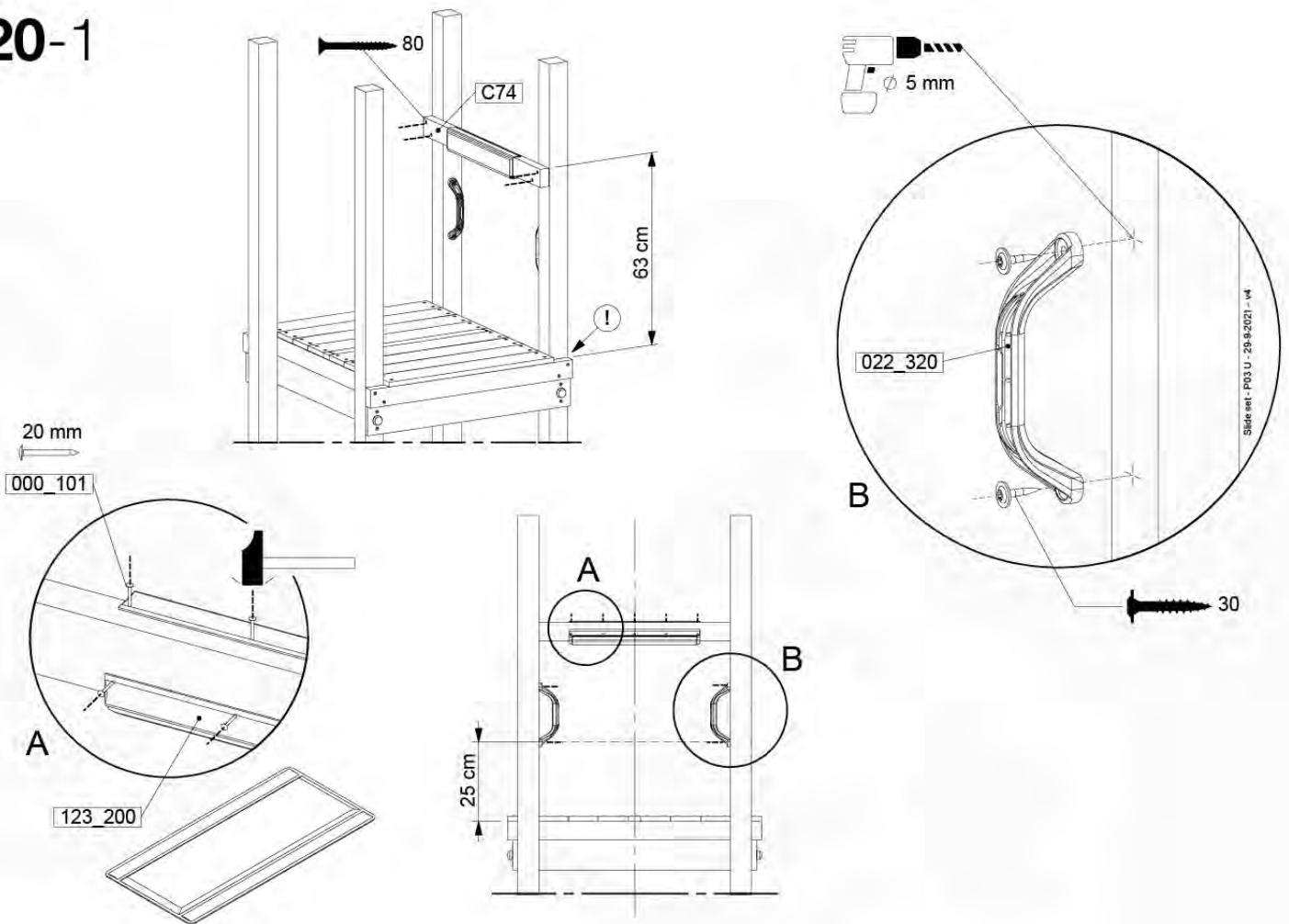
(194_107)

	PartNo	PartName	QTY.
Hardware Pack 100_605	000_101	Nail Pan Head	10
	002_223	Gap Point Screw T25 - 5x80	4
	002_308	Gap Point Screw T25 - 5x20	2
Other	120_102	Handgrip set (2x Complete)	1
	123_200	Bumperpad	1
	324_xxx 334_xxx	Wavy Star Slide XL 2200 mm / Wavy Star Slide XL 2650 mm	1
Timber	C74	Beam 740 mm	1

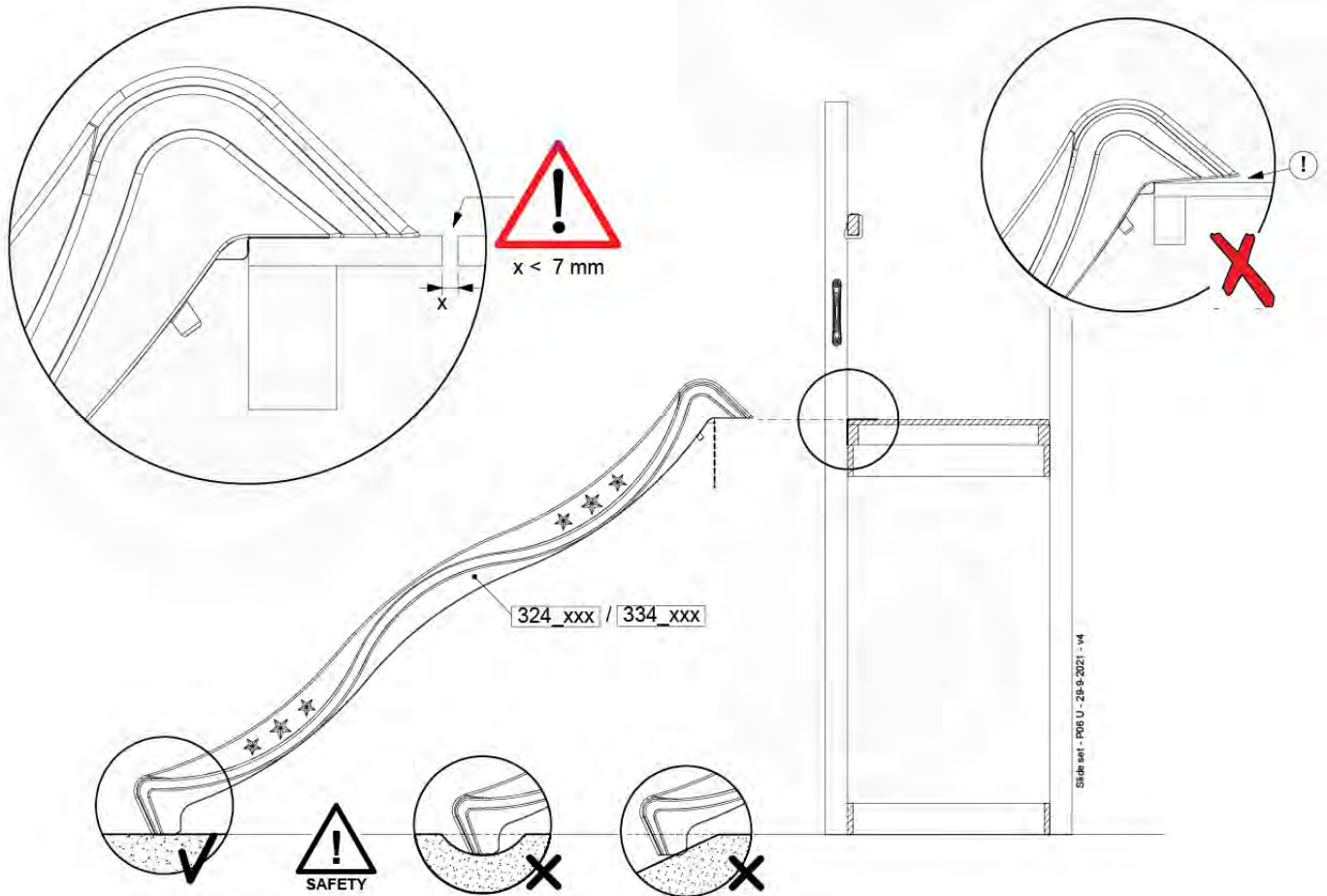
Slide set - P02 - 29-9-2021 - v4



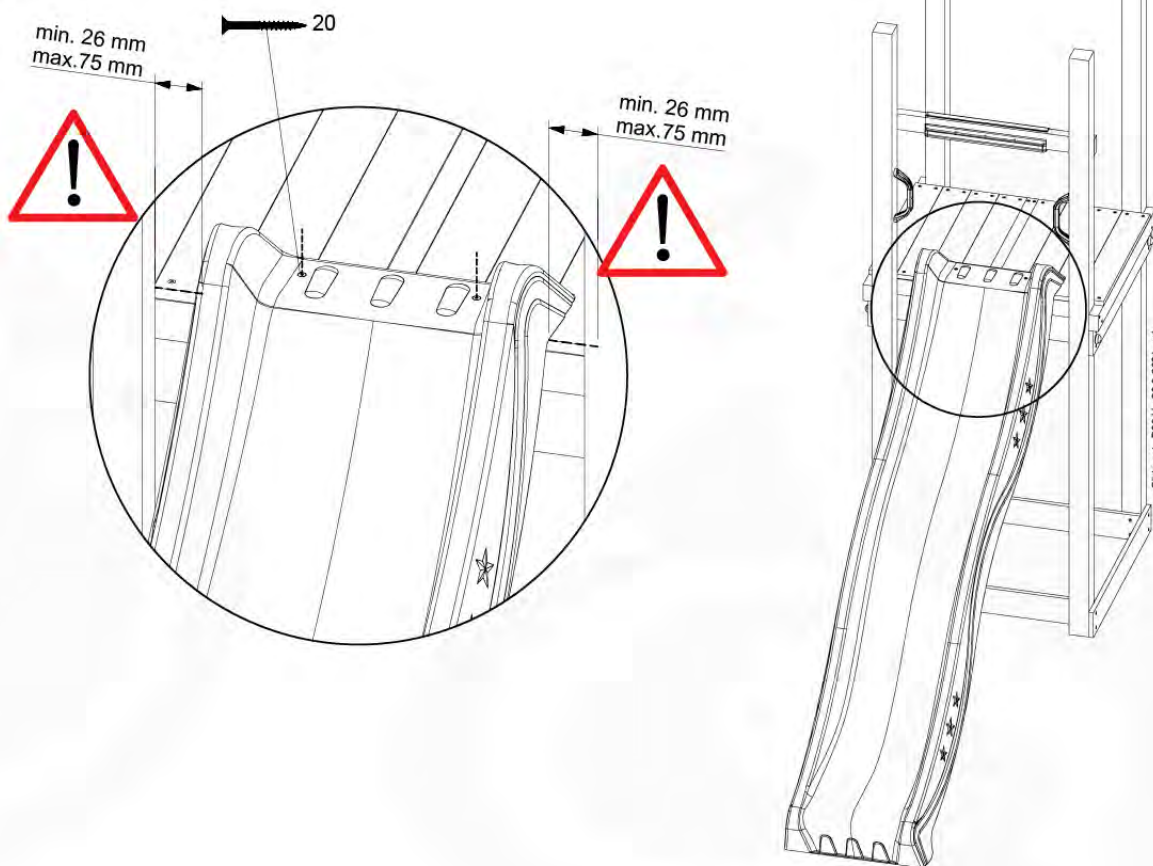
20-1



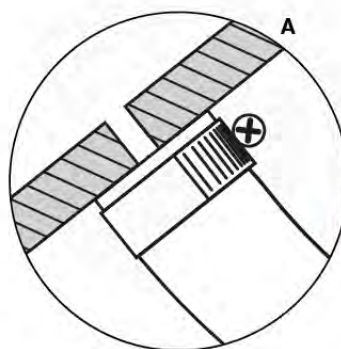
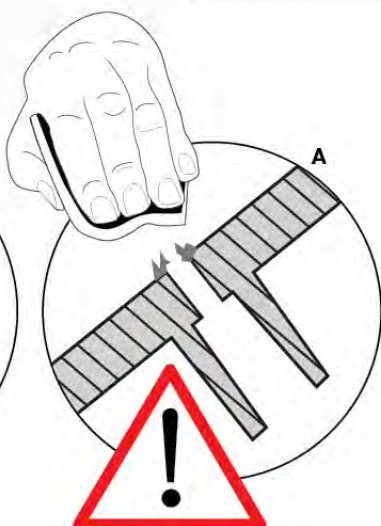
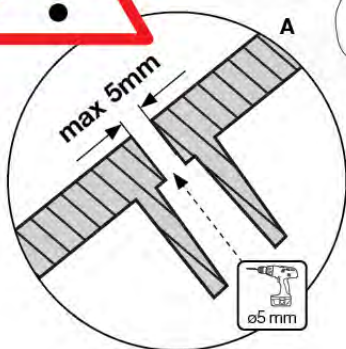
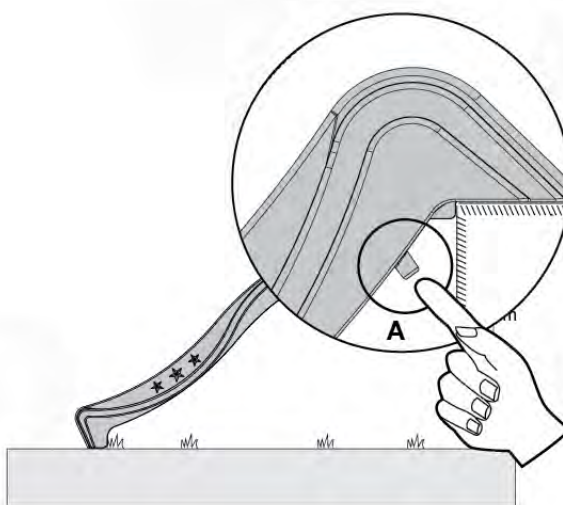
20-2



20-3



20-4



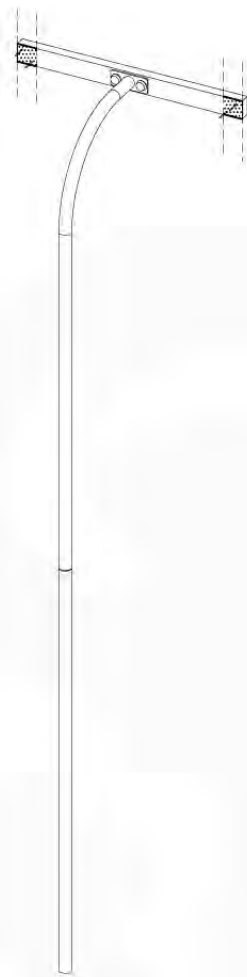
21 Firemans Pole

FP01

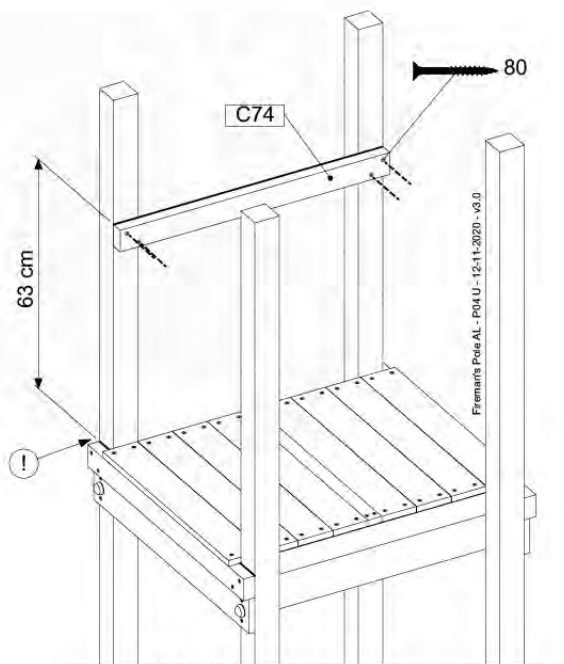
(201_275)

	PartNo	PartName	QTY.
Hardware Pack 100_346	001_103	M8 Washer Head Screw 40mm	2
	002_223	Gap Point Screw T25 - 5x80	4
	003_010	M8 spring lock washer	2
	003_040	M8 Washer	2
	004_052	M8 Drive-in Nut 30mm	2
	004_054	M8 Drive-in Nut 45mm	2
	022_31x	bpc-base version 3	2
	022_84x	bpc cover	2
Other	102_915	Fireman's Pole	1
Timber	C74	Beam 740 mm	1

Fireman's Pole AL - P04 U - 12-11-2020 - v3.0



21-1



Fireman's Pole (201_275)
040_335 Part 2

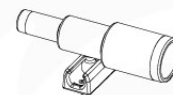
22 Accessories

AC01

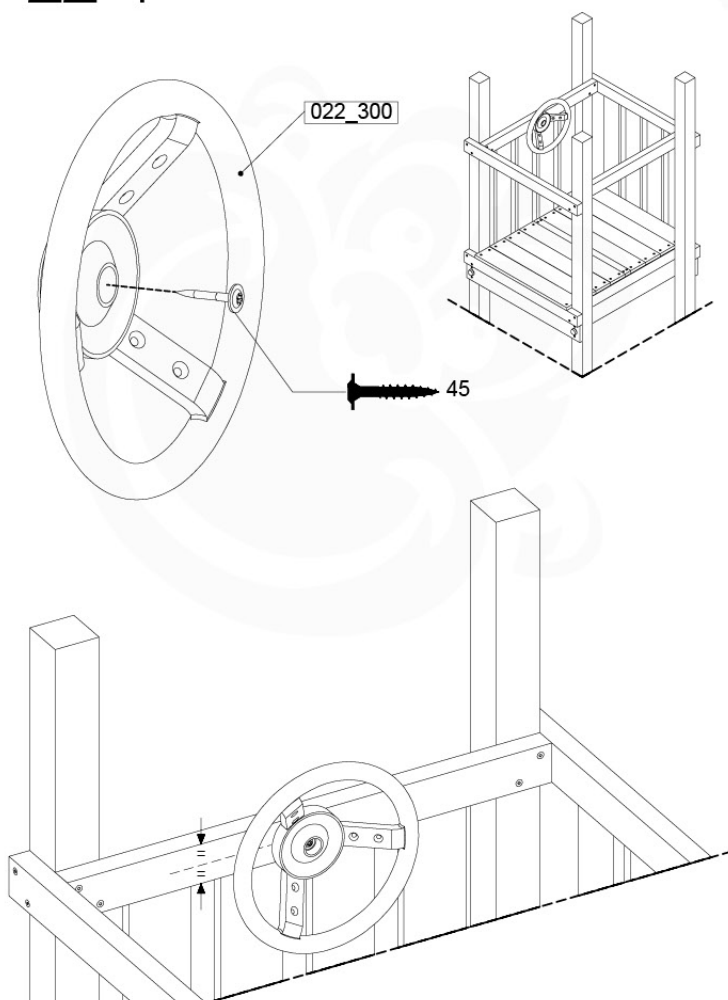
(194_119)

	PartNo	PartName	QTY.
Hardware Pack 100_617	001_406	Stealth Screw 8x45	1
	002_041	Dome head screw 4.5 x 20 mm	3
	002_042	Dome head screw 3.5 x 13mm	4
	002_219	Gap Point Screw T25 - 5x30	2
Other	022_300	Steering Wheel	1
	022_800	Rail P/T 105	1
	022_910	Sandpad	1
	103_901	Logo ID Plate	1
	104_107	Tool Set Climbing Units	1
	120_024	Tower Flag	1
	122_302	Telescope	1

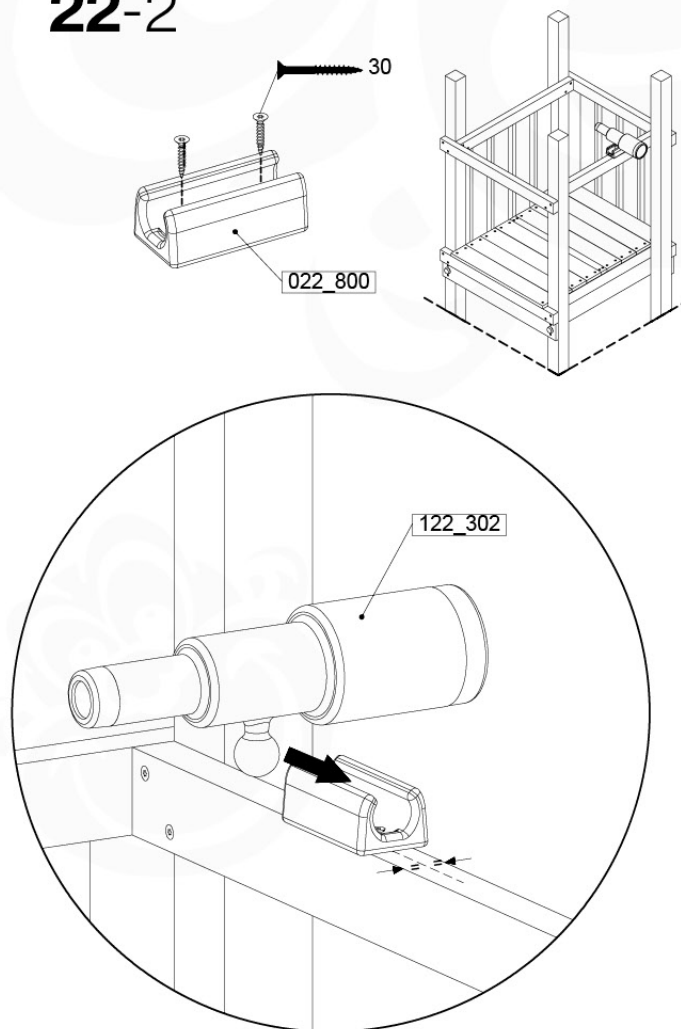
Accessory set - P02 - 29-9-2021 - 14



22-1

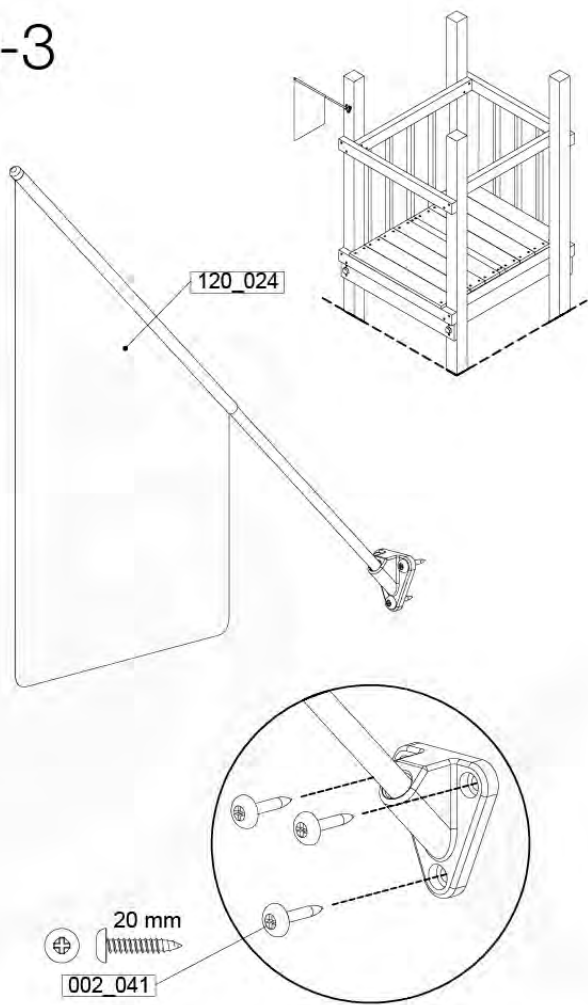


22-2

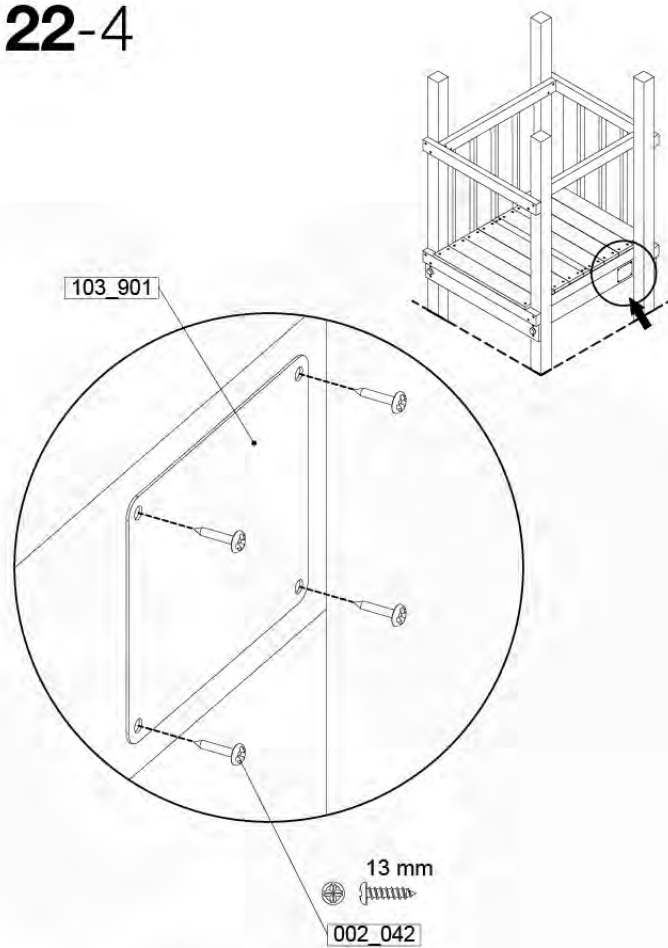


Accessory set - P03 - 29-9-2021 - 14

22-3



22-4



Assembly set - Pk1 - 101 Ansooski

22-5

1x
022_910

