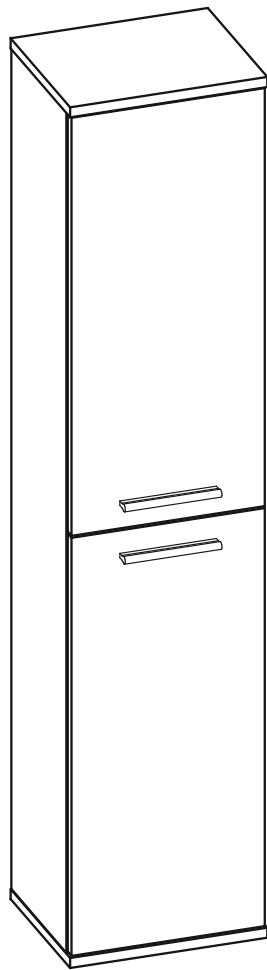


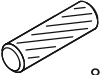
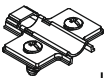
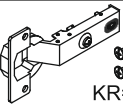






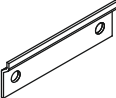


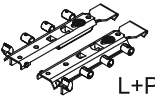
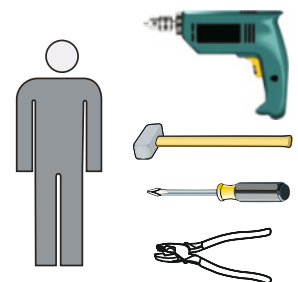


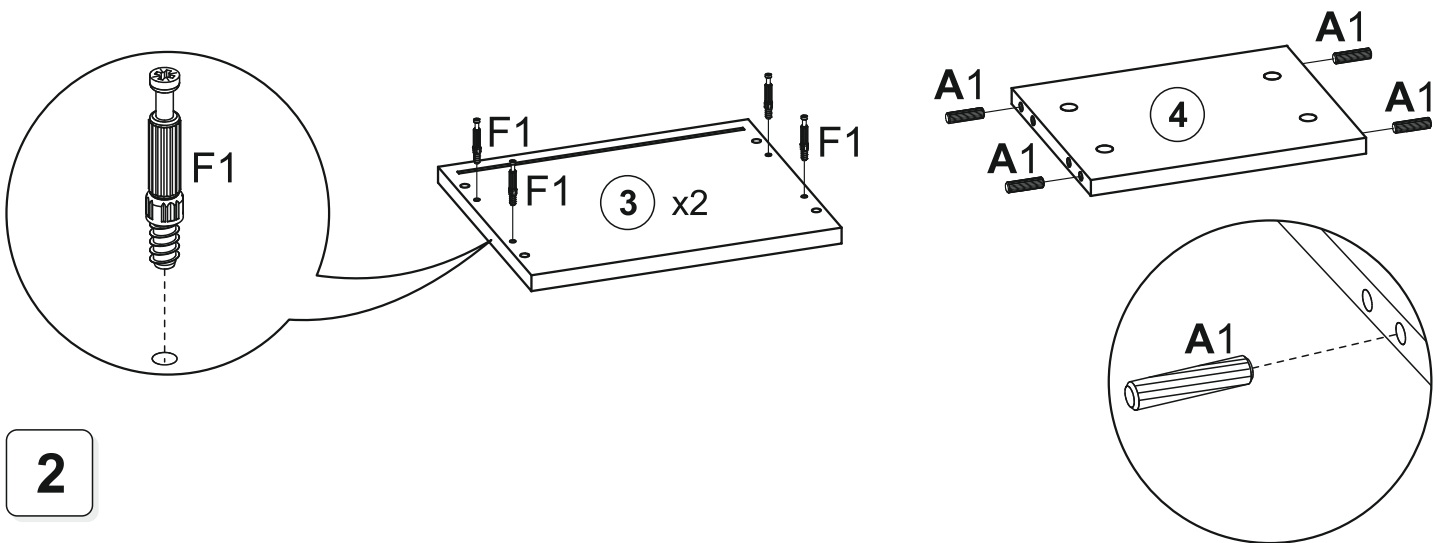
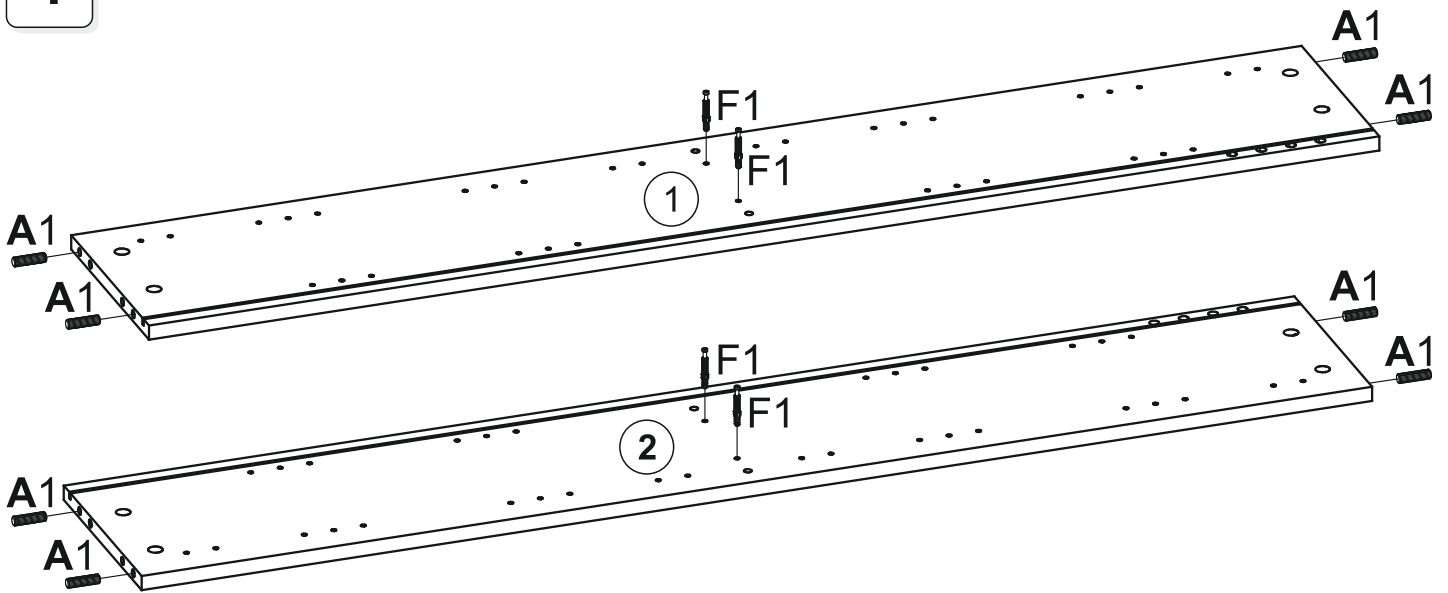
# Column 2D



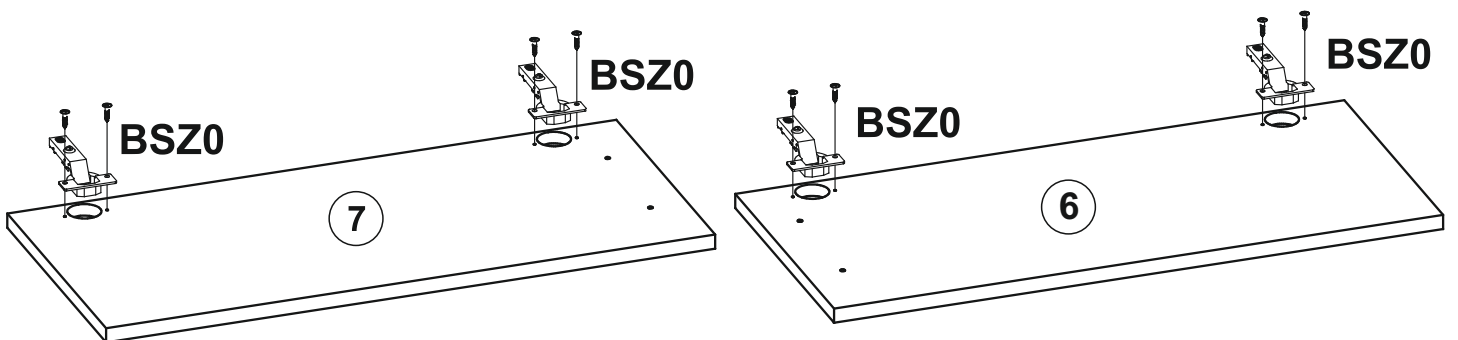
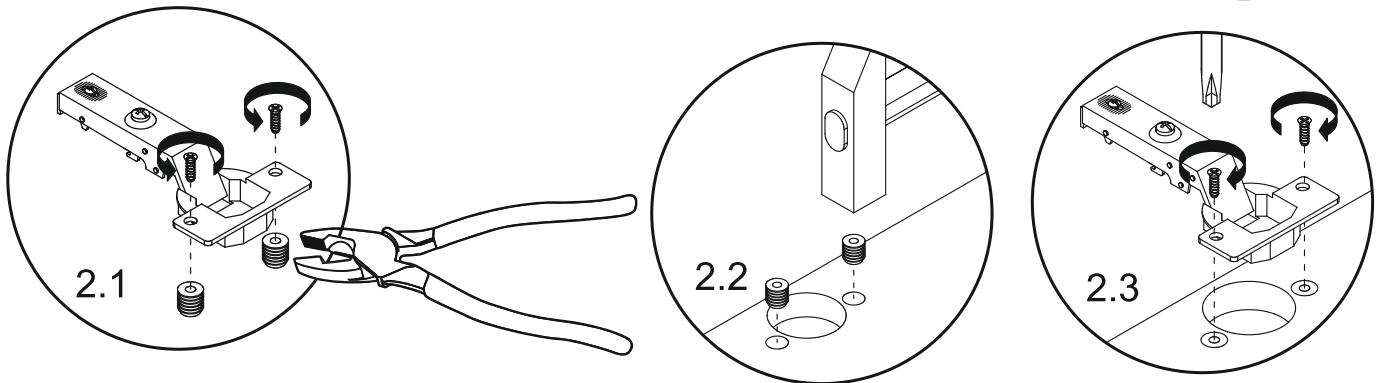
<b>H</b>  x 2	<b>I8</b>  UP4x27 x 4	<b>A1</b>  8x32 x 12			
<b>BS2</b>  H=2 x 4	<b>BSZ0</b>  KR=0 x 4	<b>D3</b>  x 16	<b>E0</b>  x 12	<b>E1</b>  x 12	<b>F1</b>  x 12
<b>P0</b>  x 40	<b>P2</b>  ø 18 x 2	<b>P11</b>  x 2	<b>R4</b>  x 4	<b>R8</b>  x 4	<b>ZR4</b>  L+P x 1



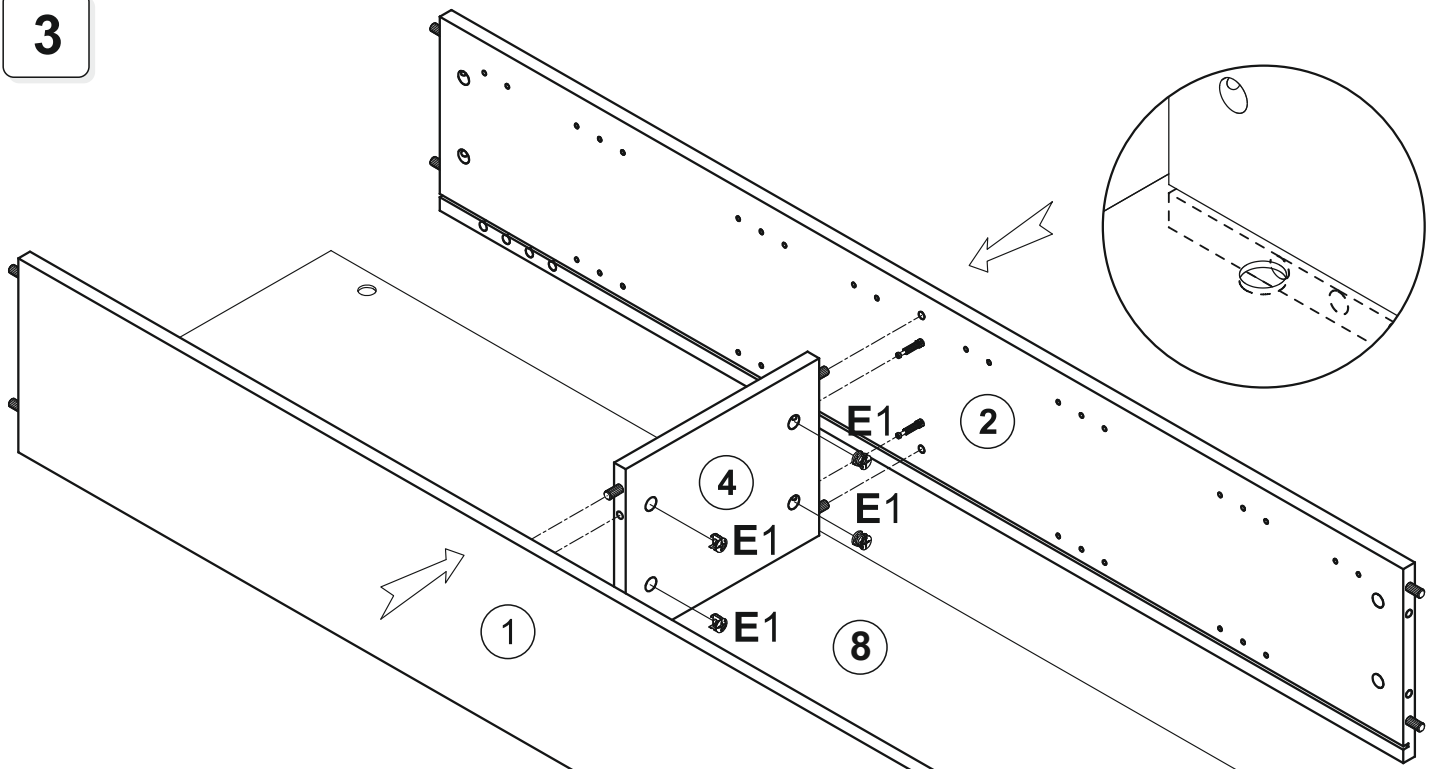
1



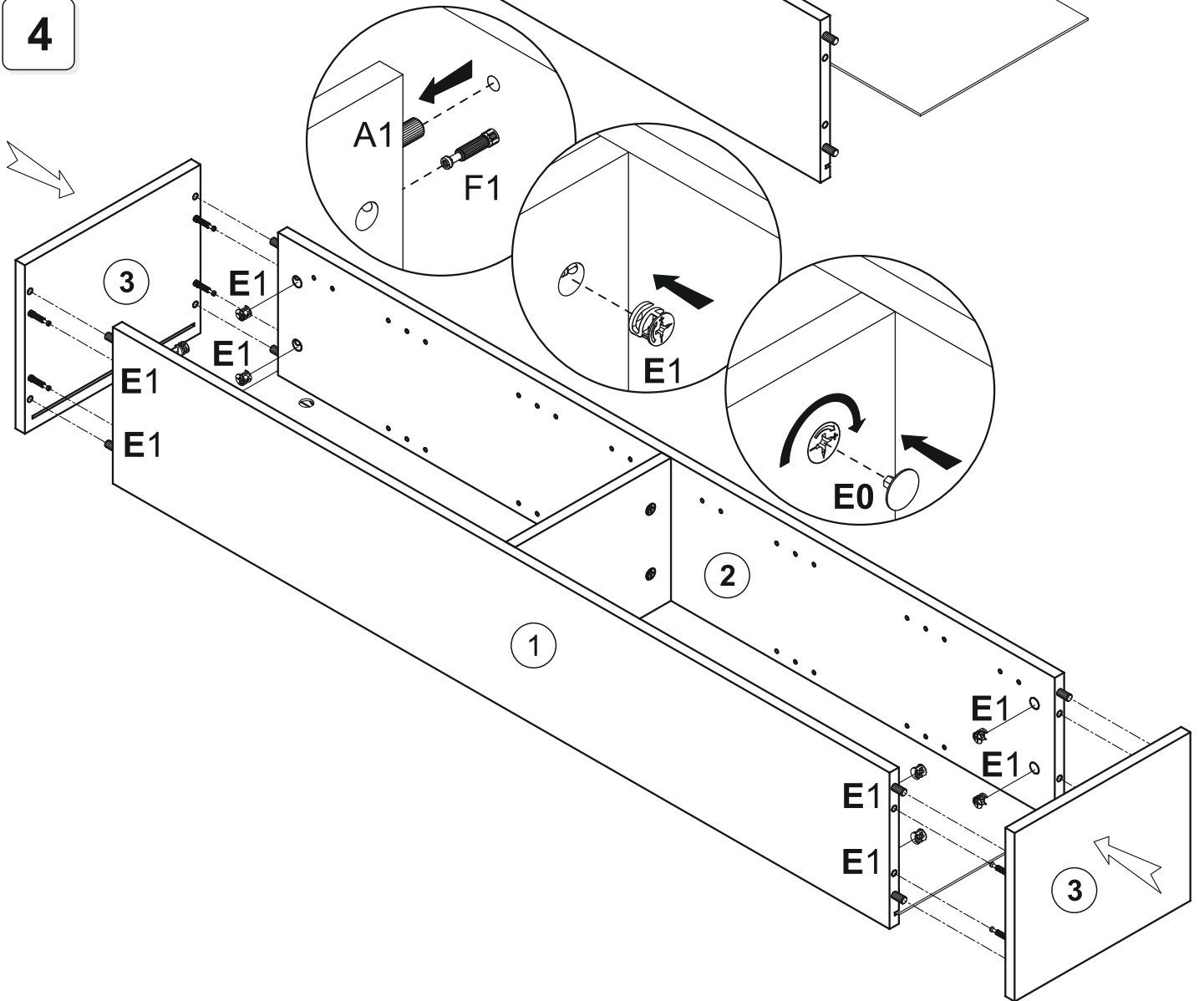
2



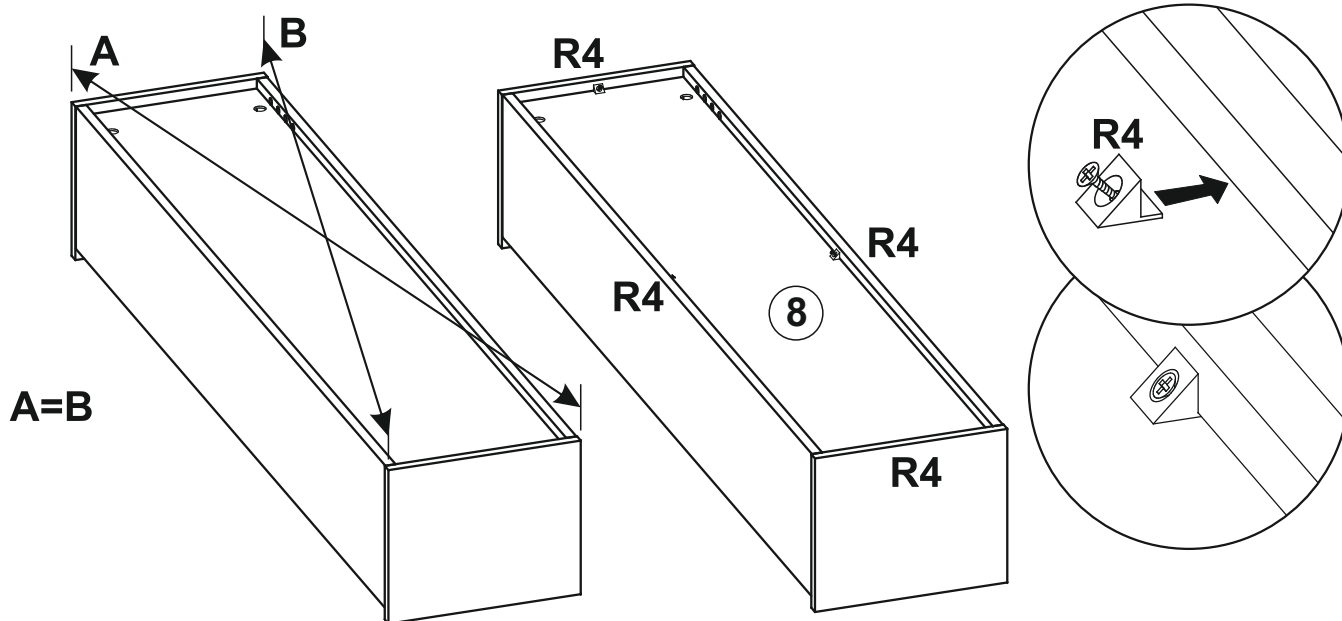
3



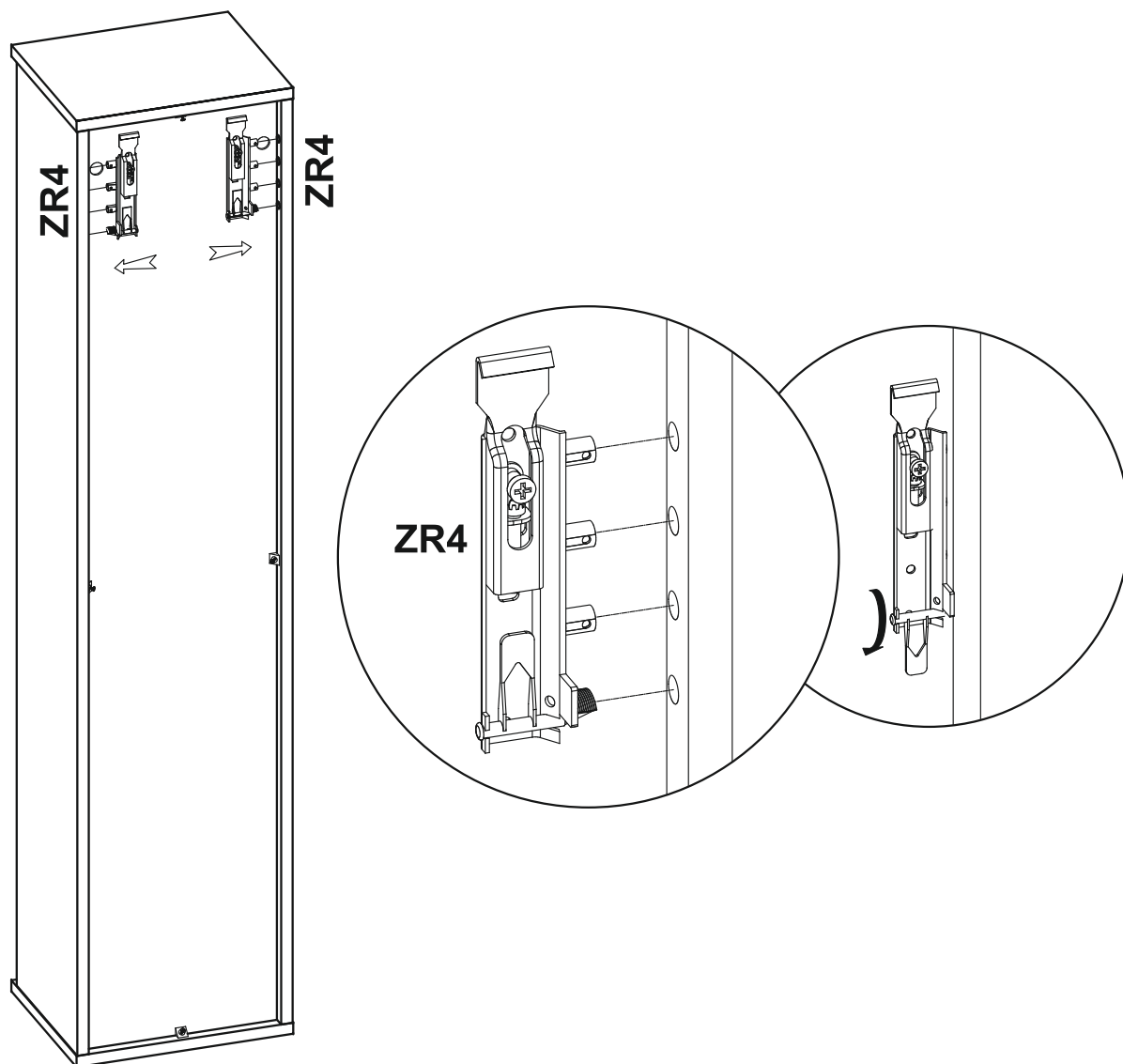
4



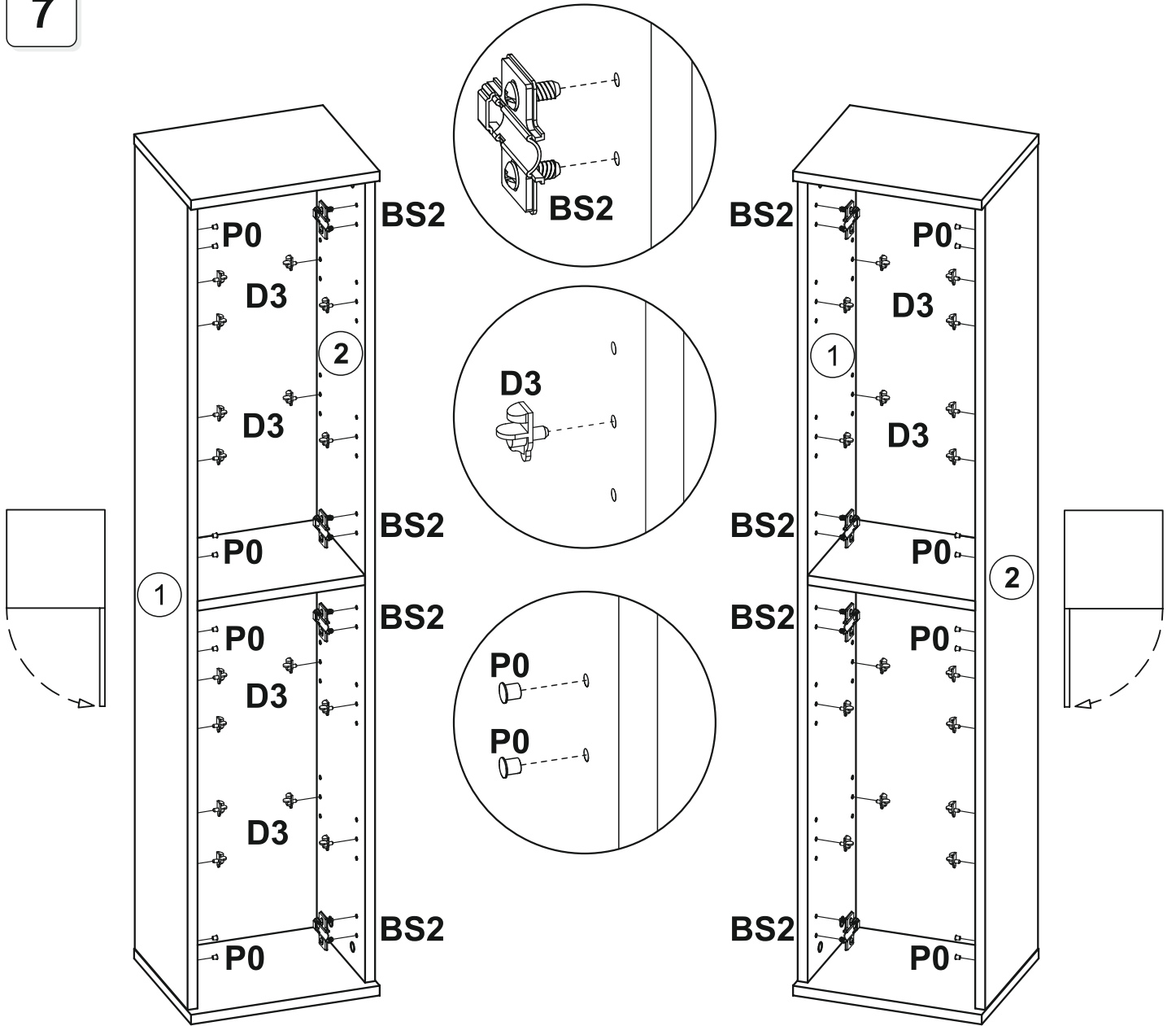
5



6



7



8

