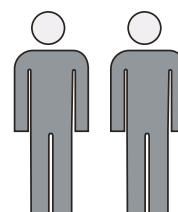
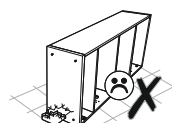
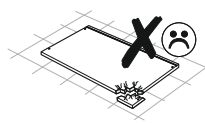
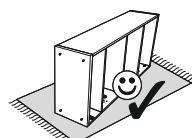
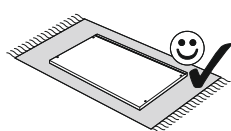
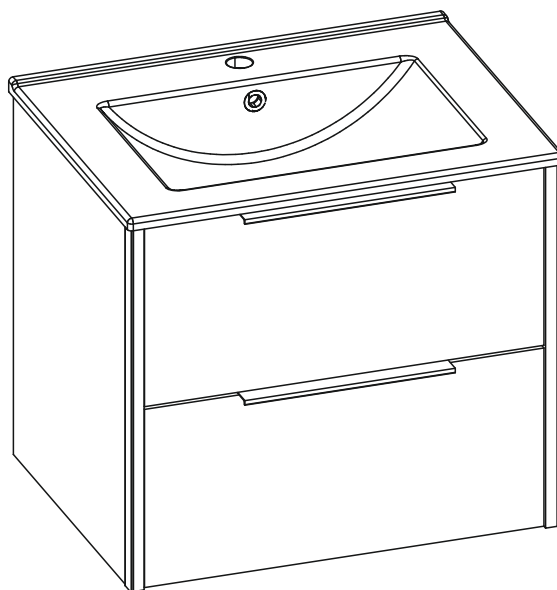
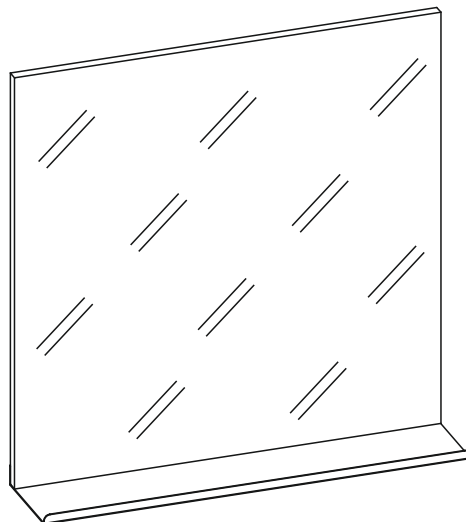
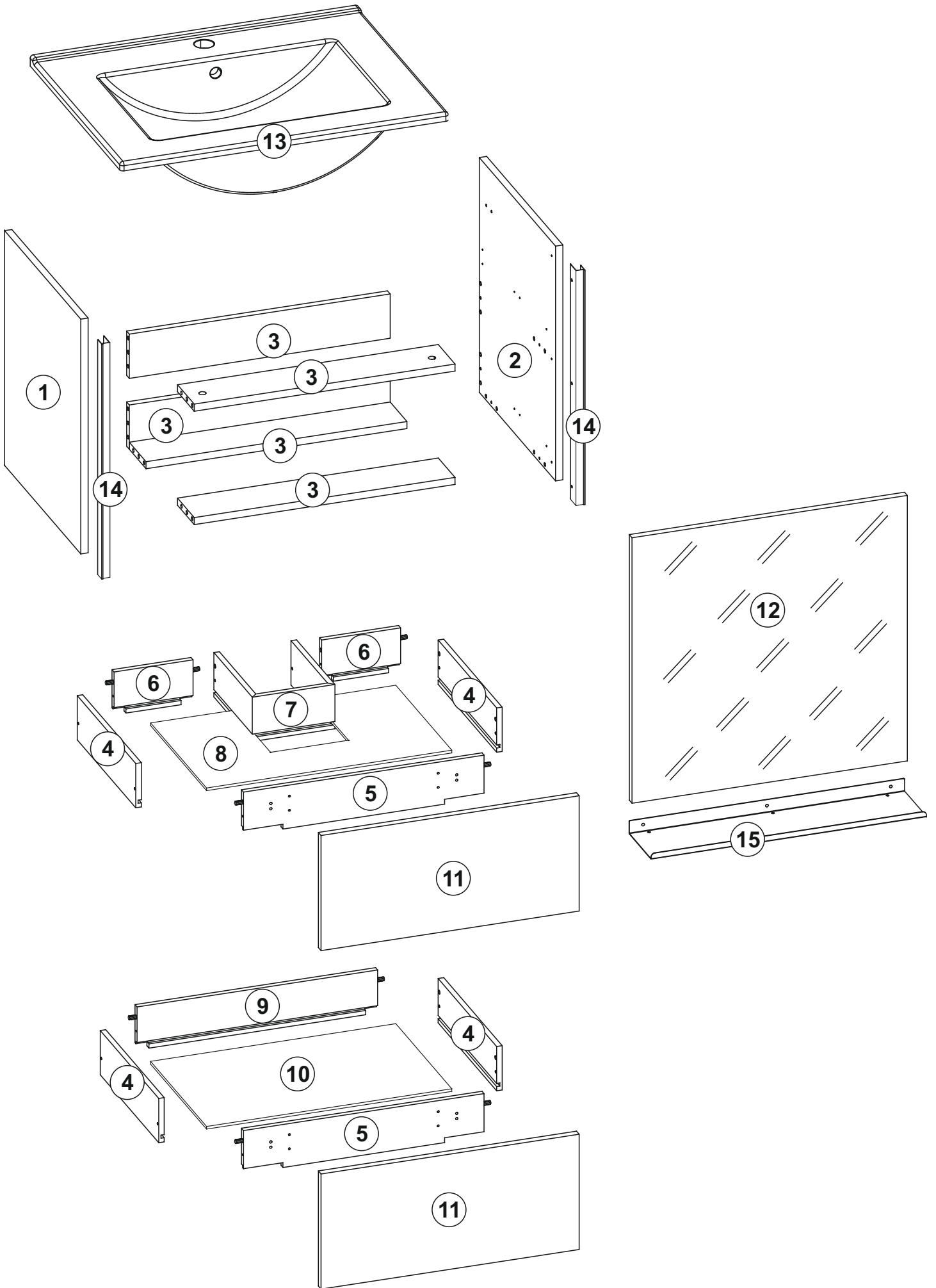

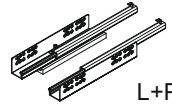
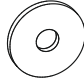
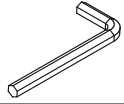

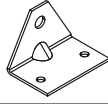




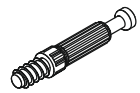
ARIA 2DR

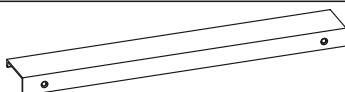


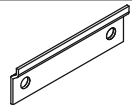



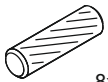
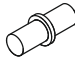

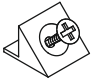

| | | |
|---|--|---|
| N8 | PHQ35 | P13 |
|  US3,5x18 |  L+P |  |
| x 16 | x 2 | x 12 |

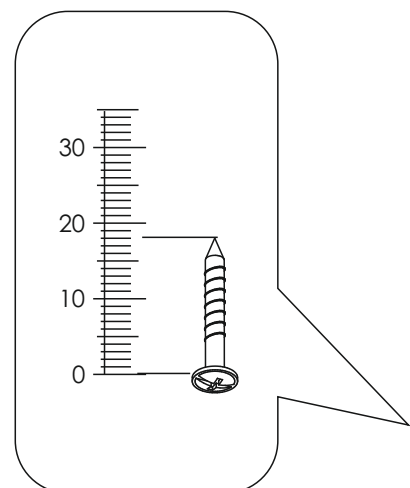
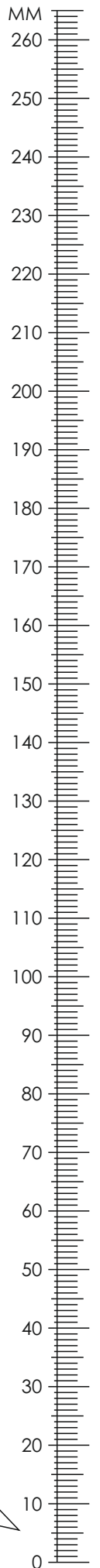
| | | | |
|---|---|---|---|
| M3 | G2 | W9B | N5 |
|  |  5 x 40 |  |  US3,5x16 |
| x 1 | x 10 | x 2 | x 14 |

| | |
|---|---|
| E1 | F1 |
|  |  |
| x 10 | x 10 |

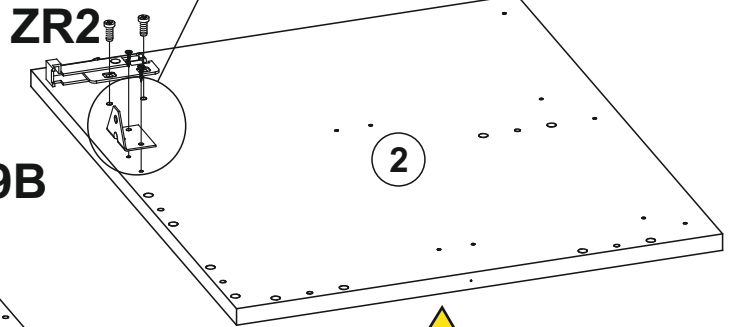
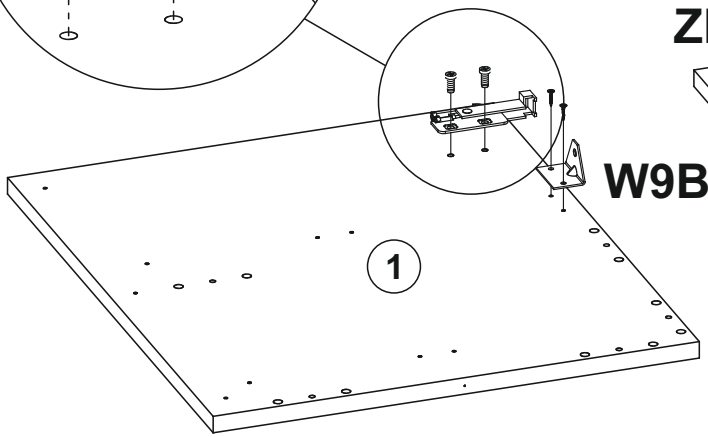
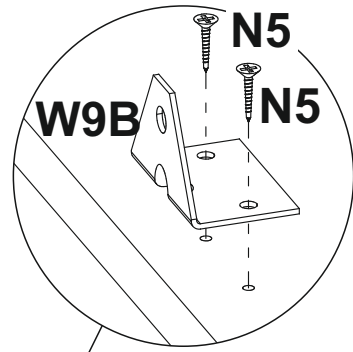
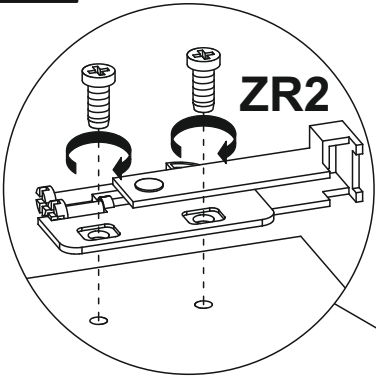
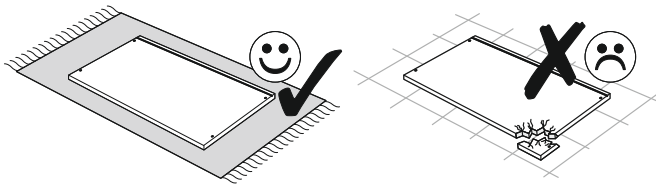
| |
|--|
| H |
|  |
| x 2 |

| | |
|--|---|
| P11 | ZR2 |
|  |  L+P |
| x 2 | x 1 |

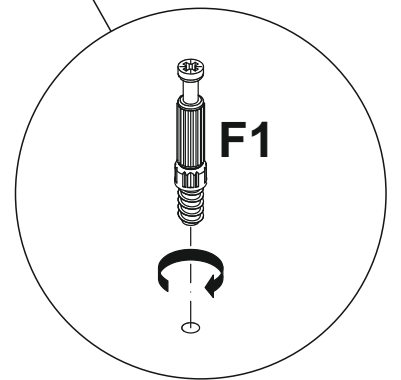
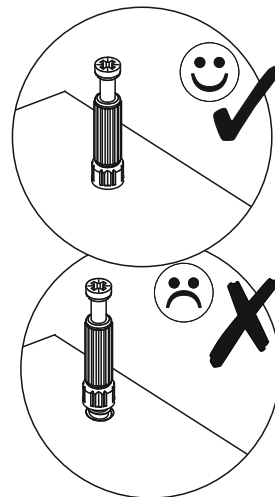
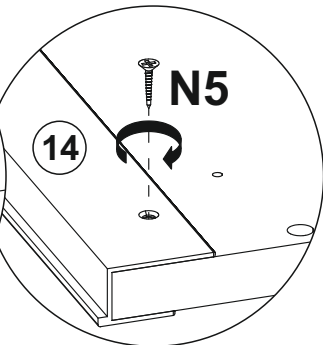
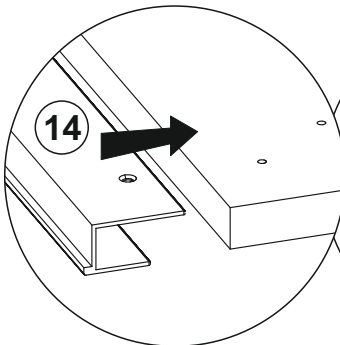
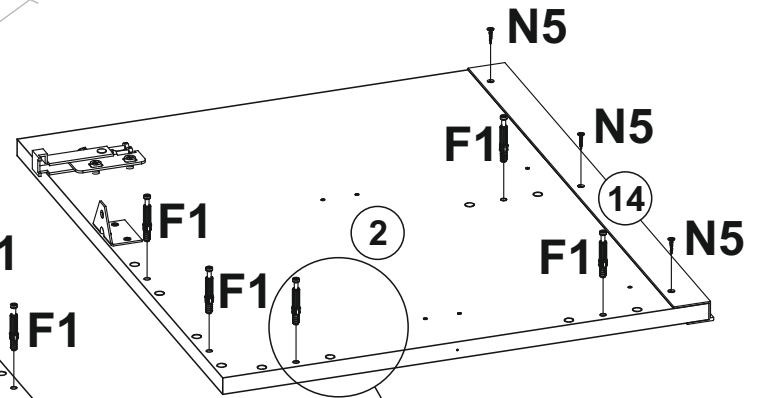
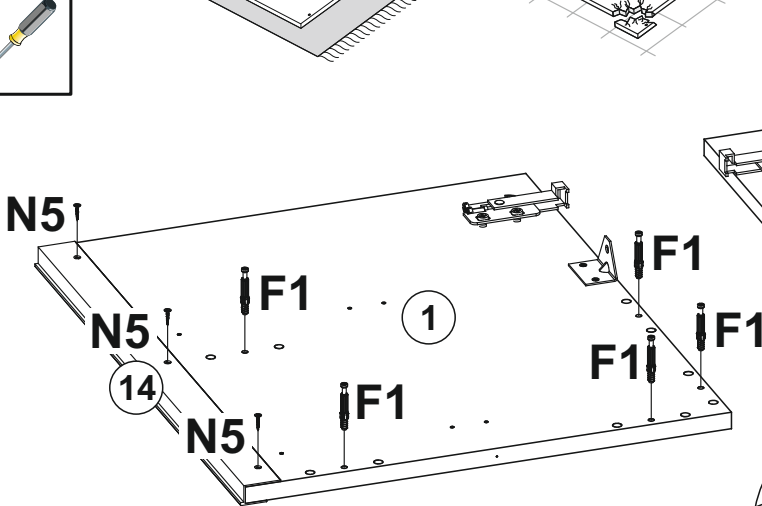
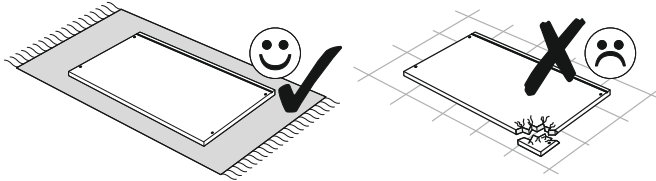
| | | | | |
|---|---|--|---|--|
| A1 | D1 | I10 | R4 | R8 |
|  8x30 |  |  UP 4x23 |  |  ø8 |
| x 20 | x 4 | x 8 | x 4 | x 4 |

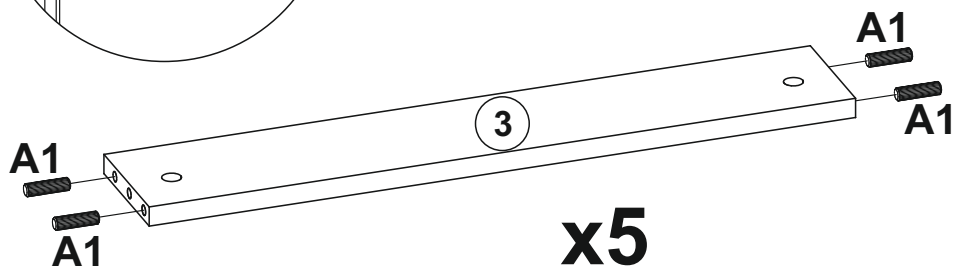
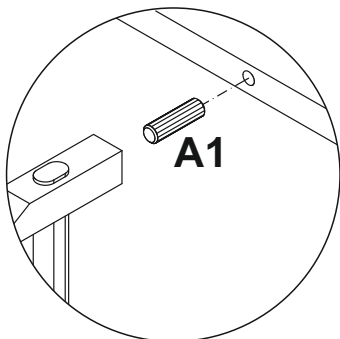
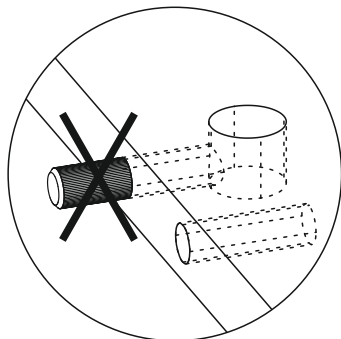
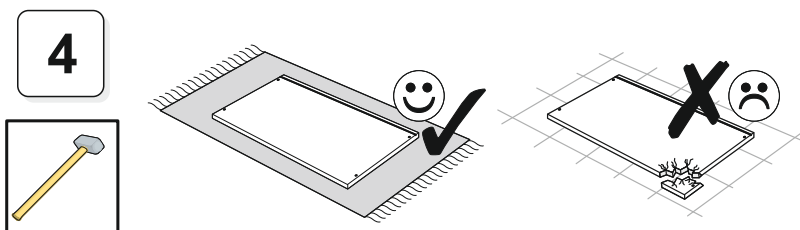
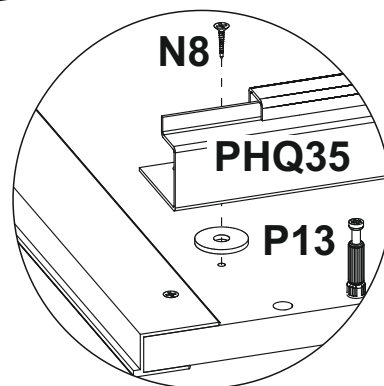
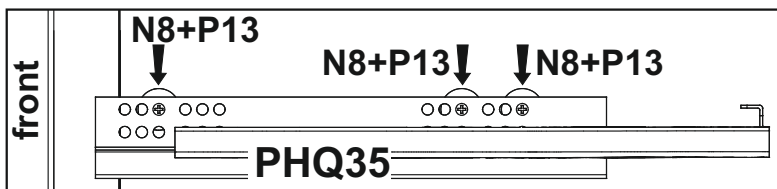
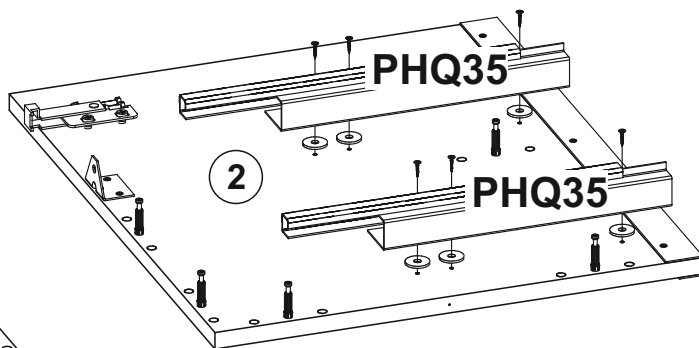
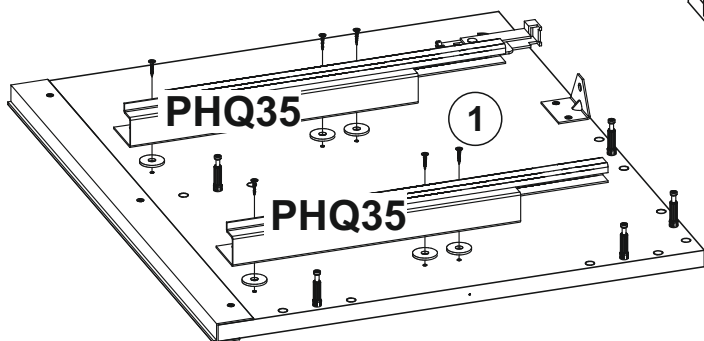
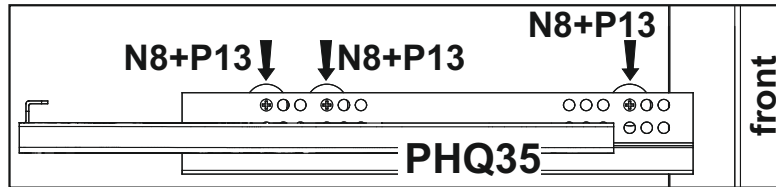
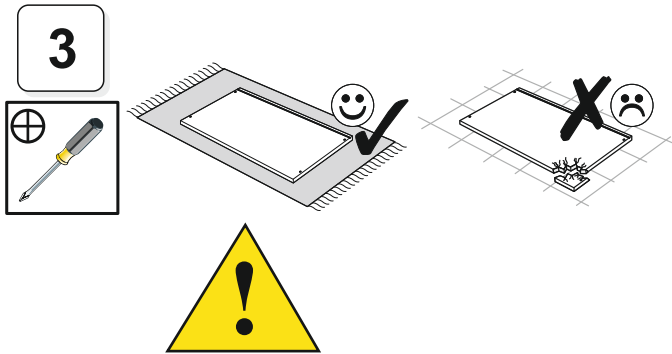


1

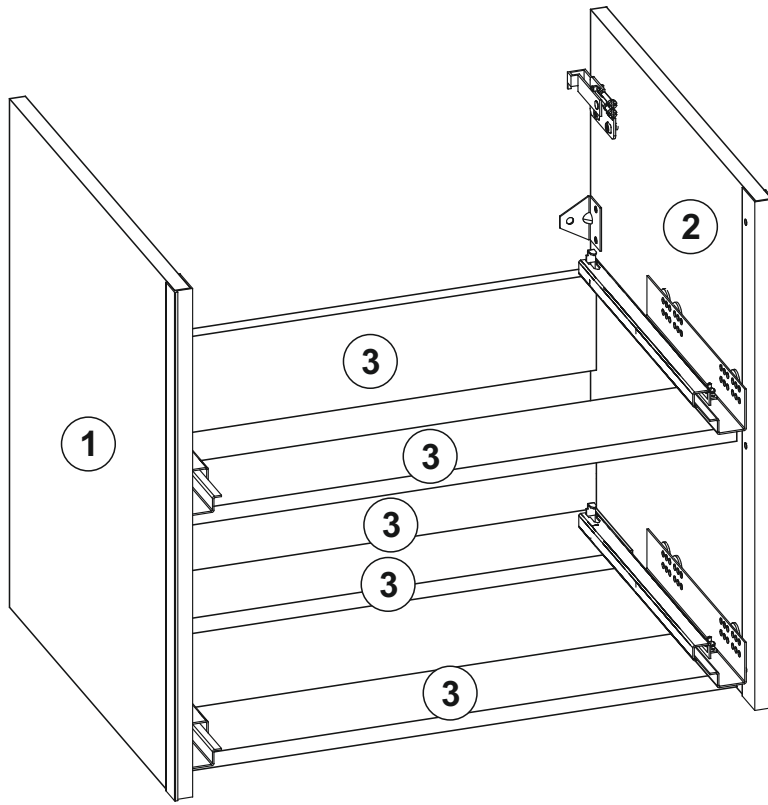


2

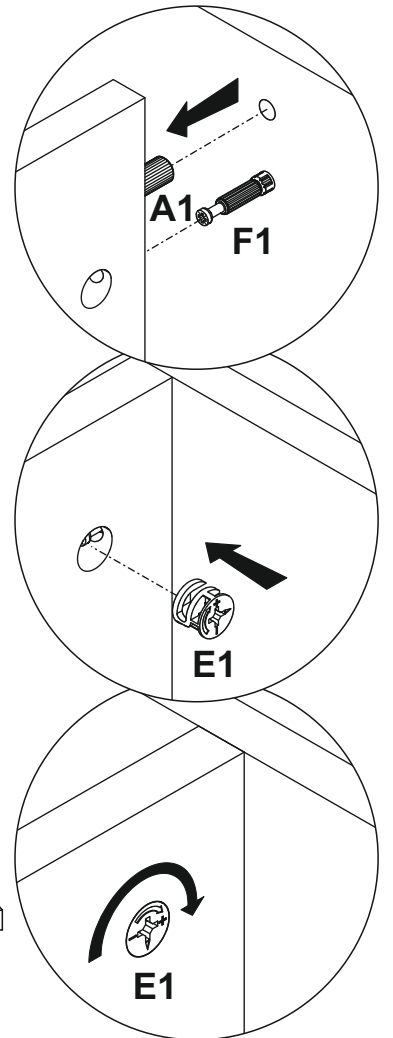
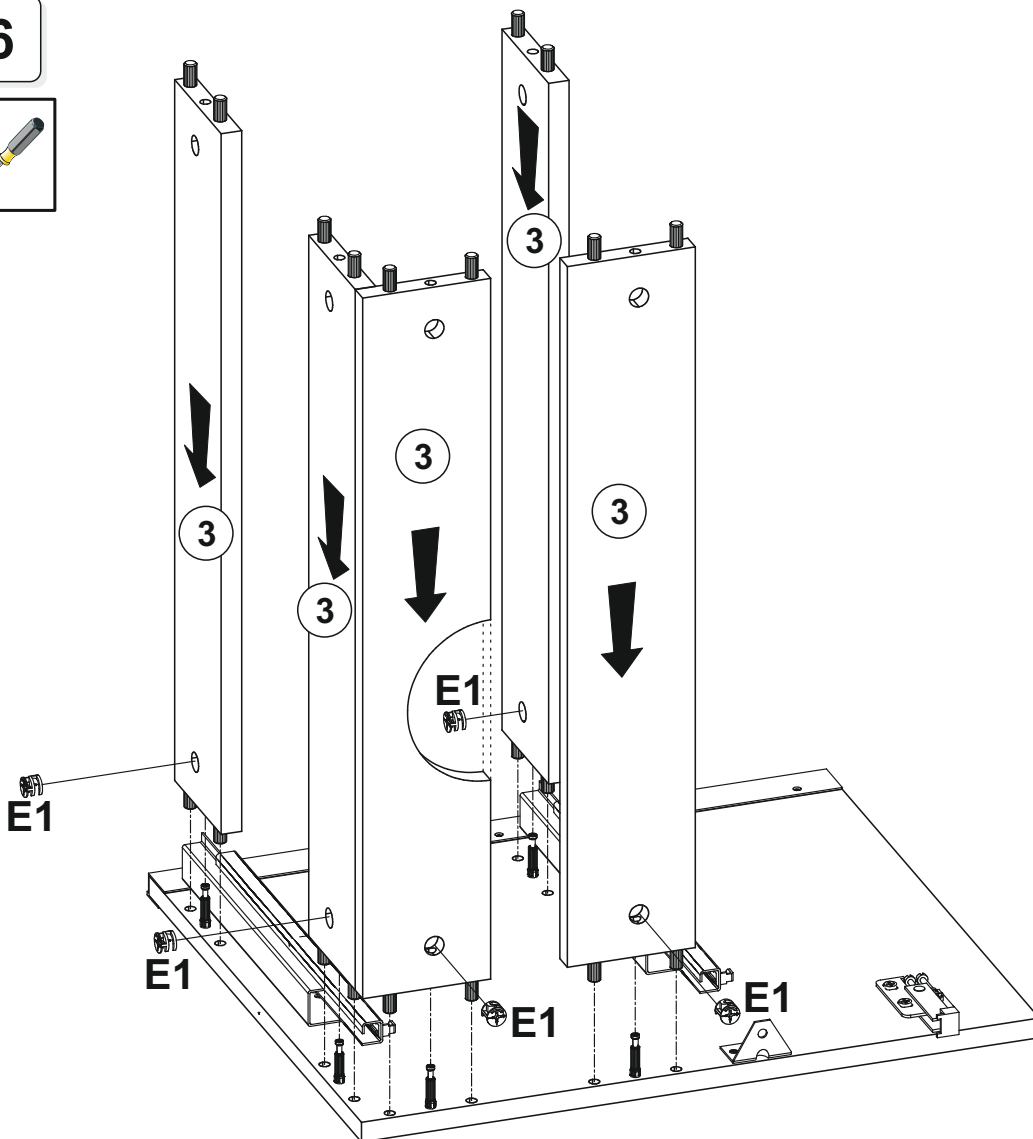




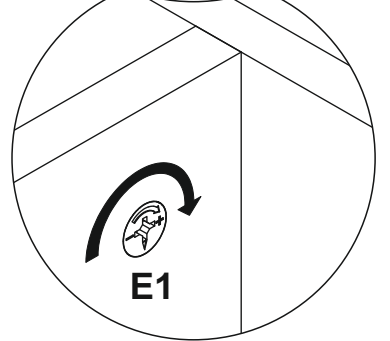
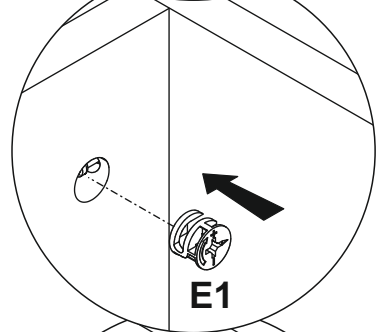
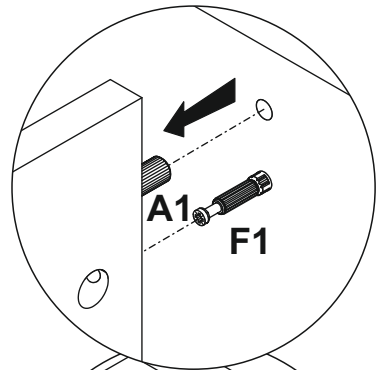
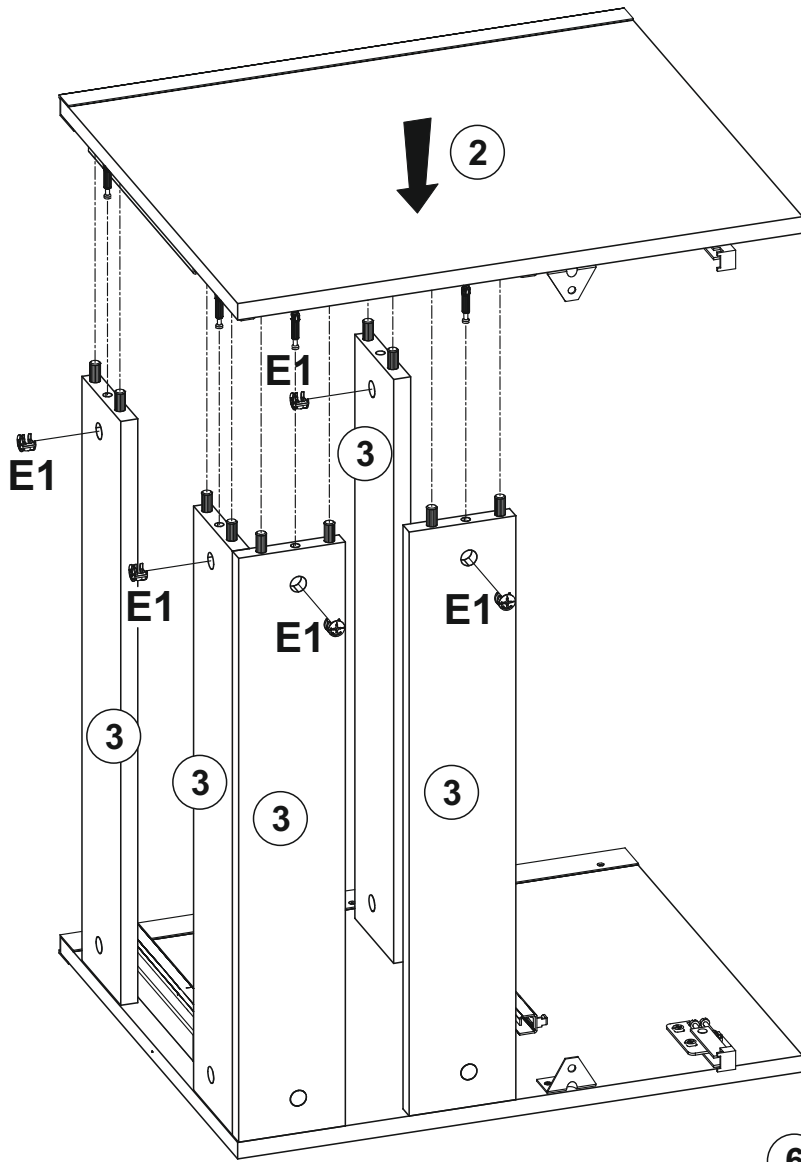
5



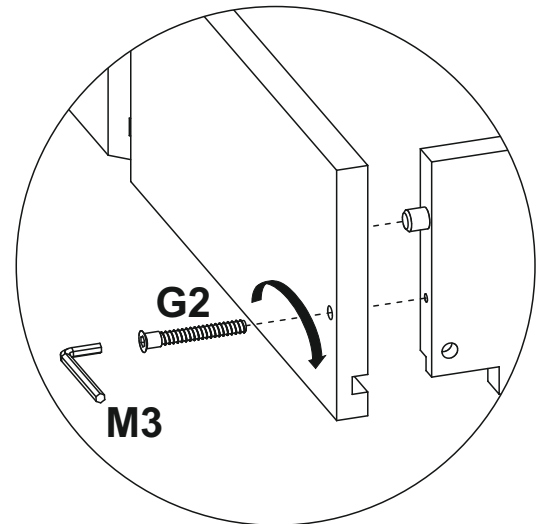
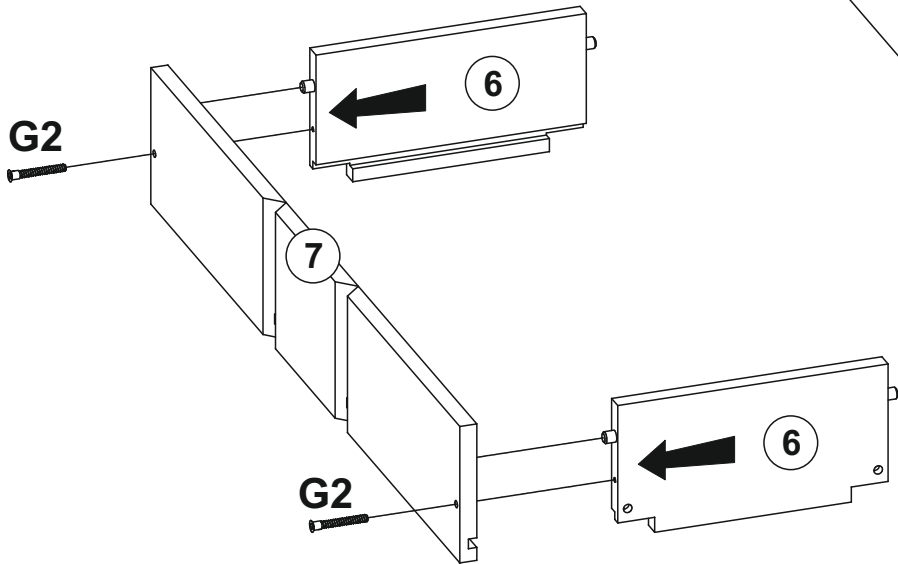
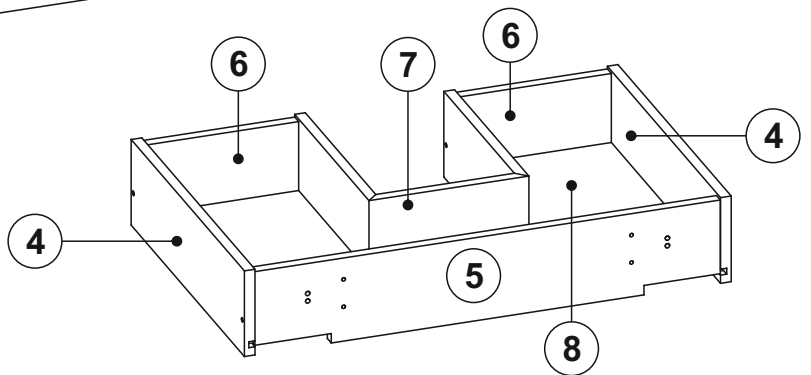
6



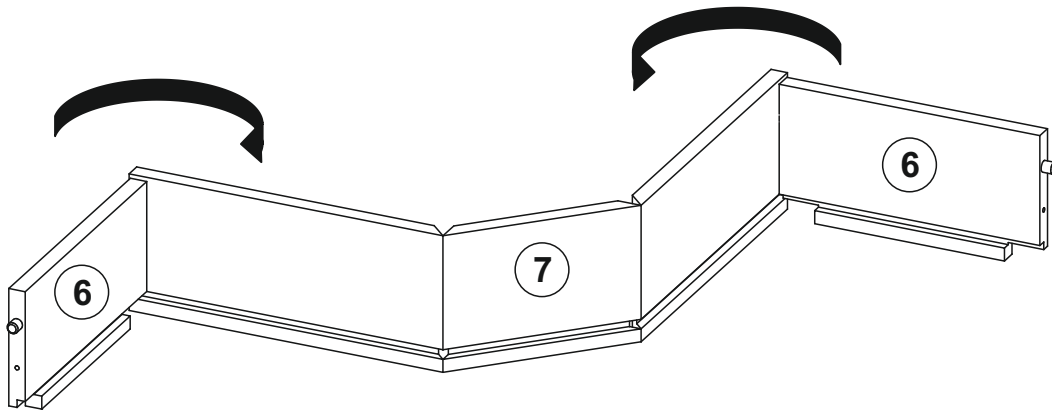
7



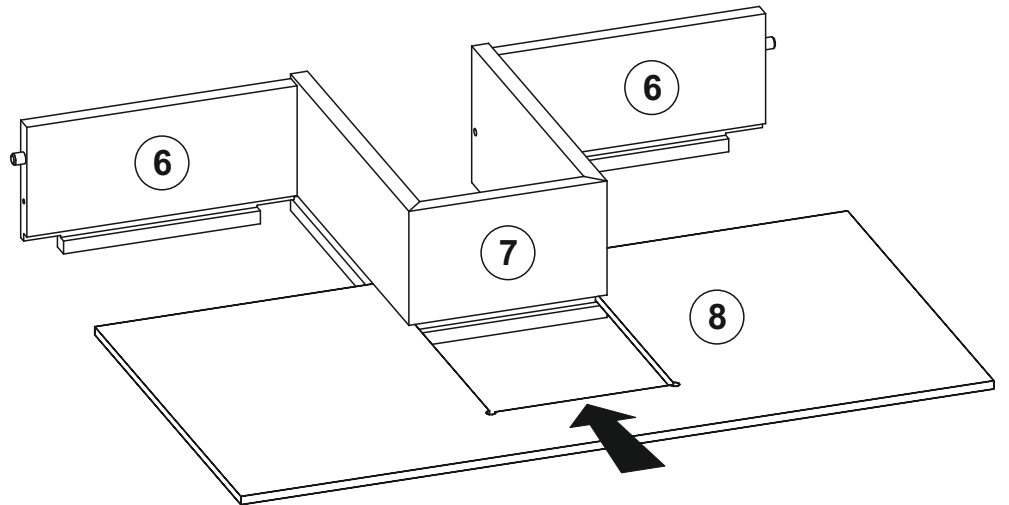
8



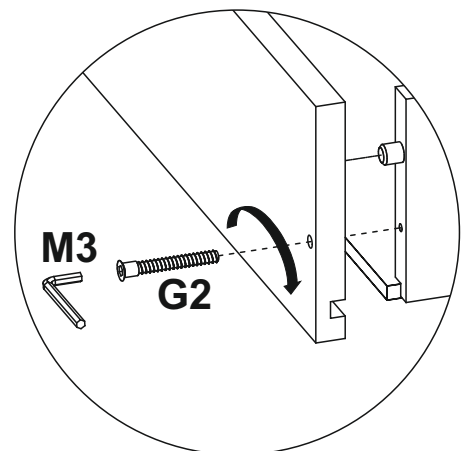
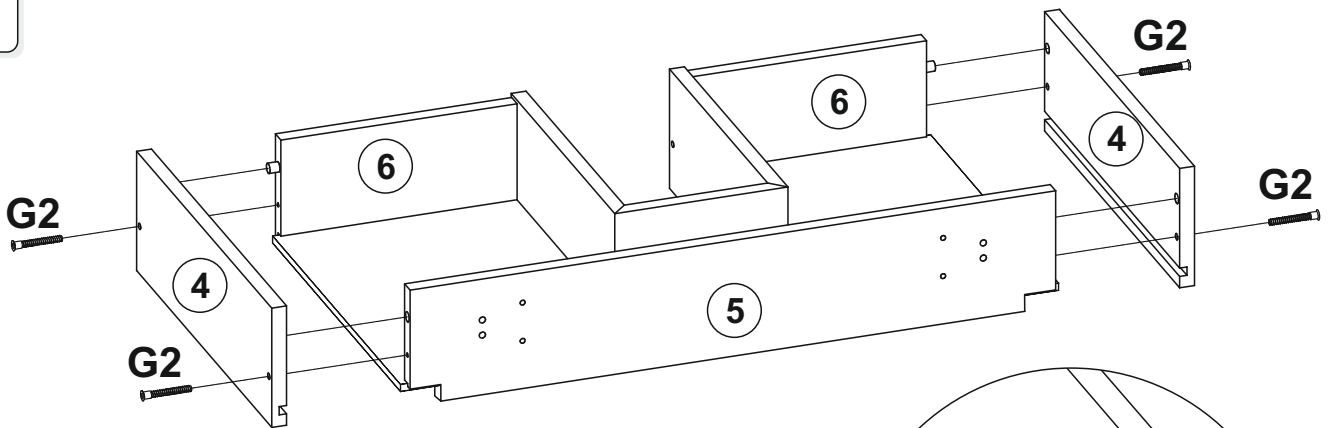
9



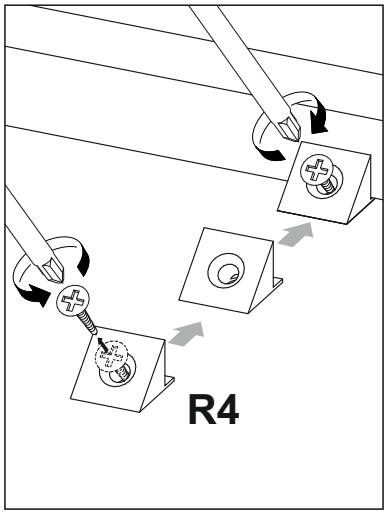
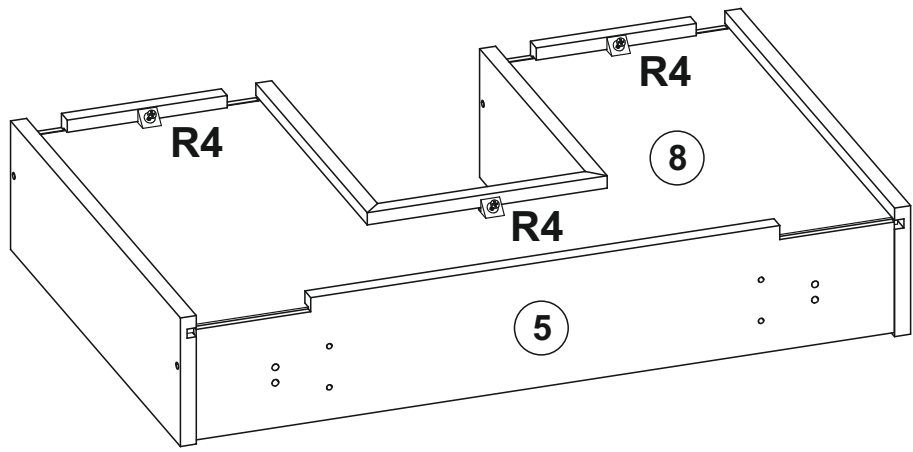
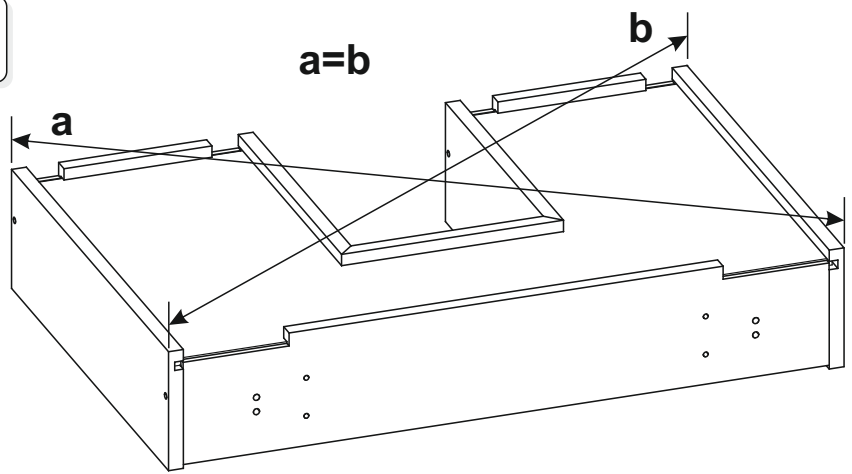
10



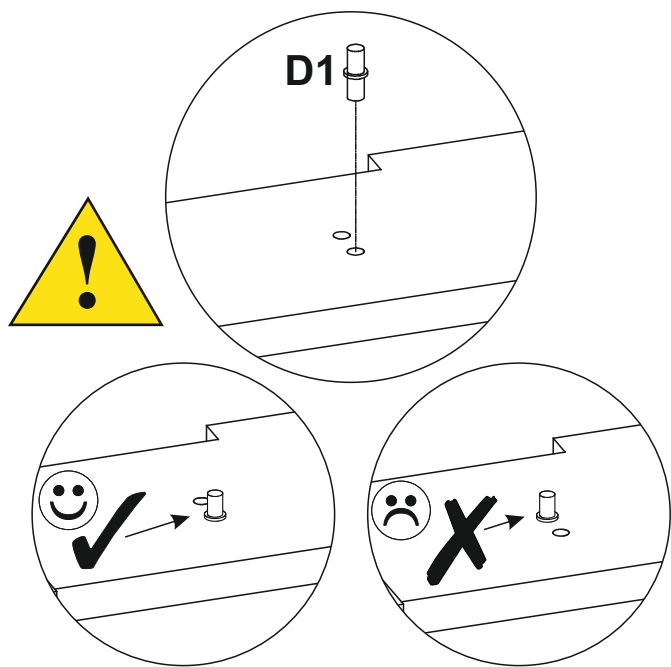
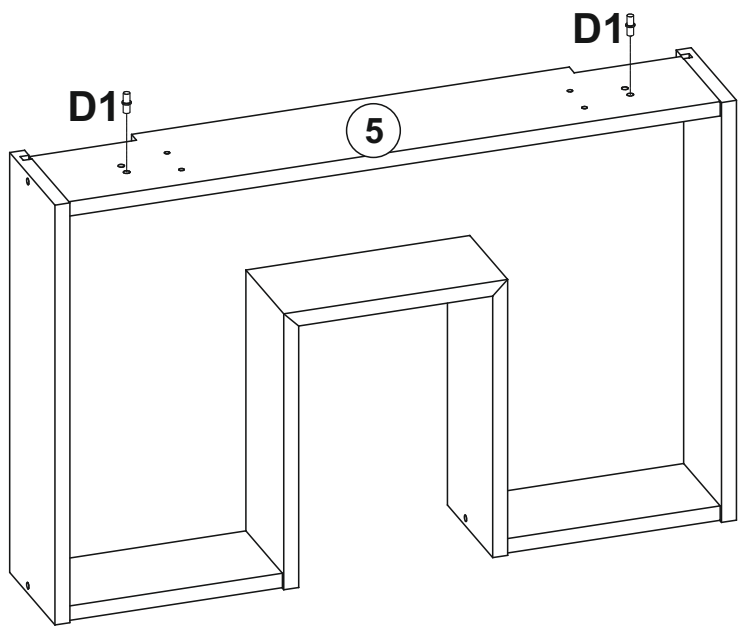
11



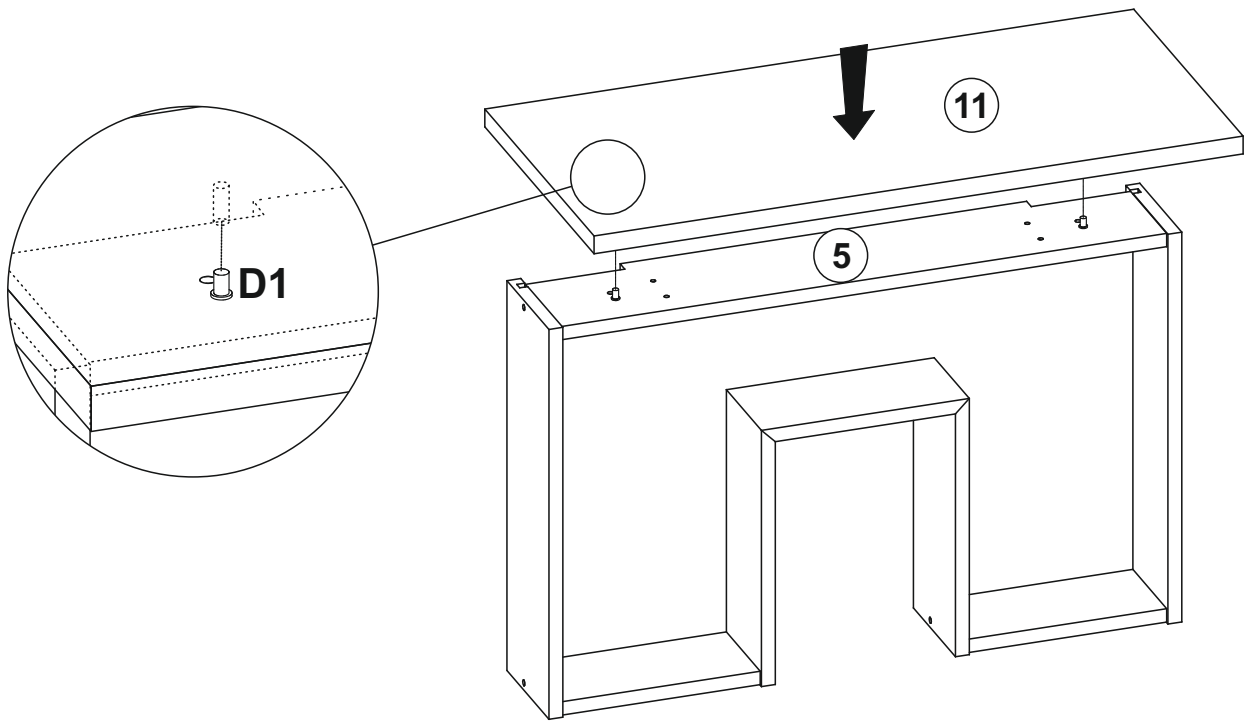
12



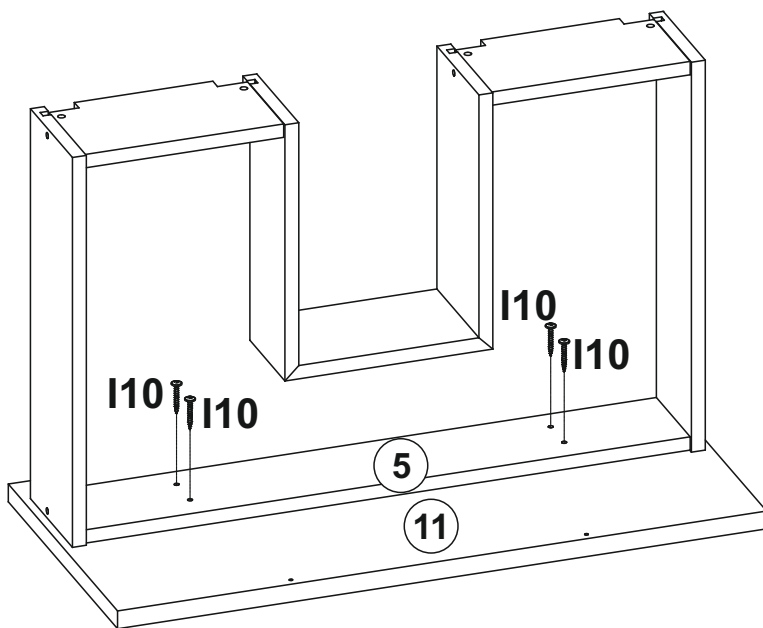
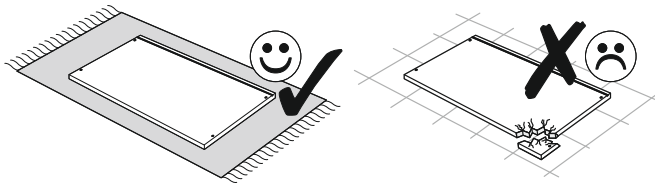
13



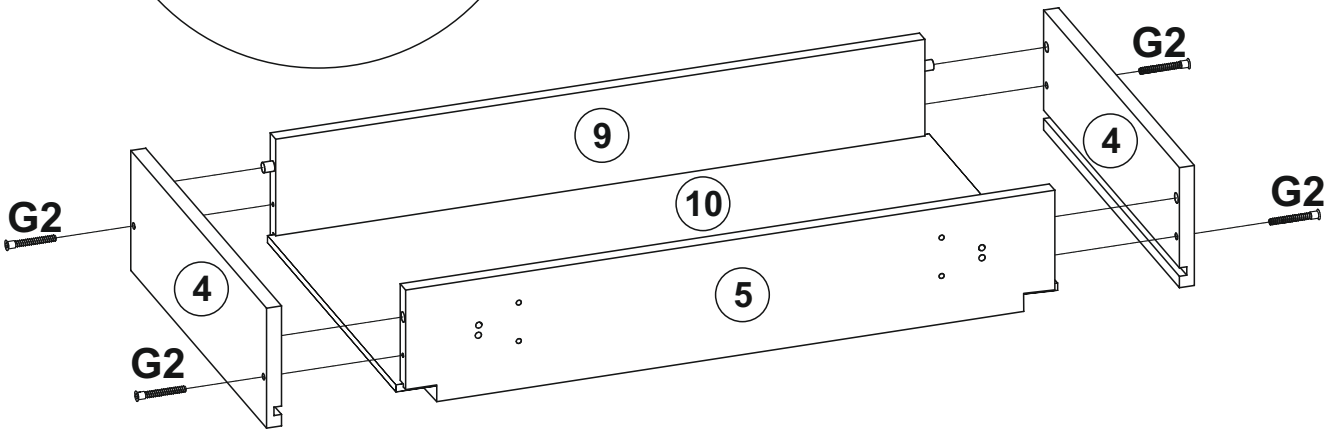
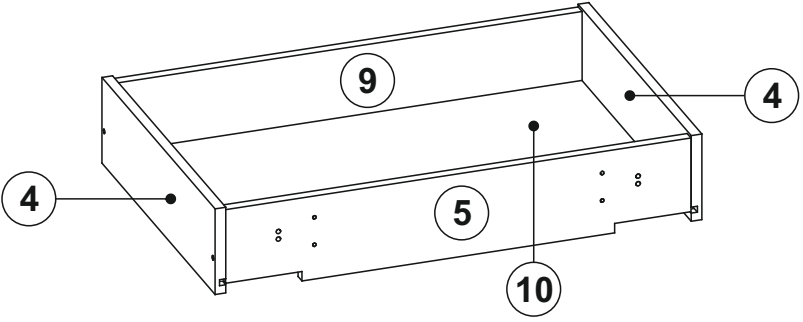
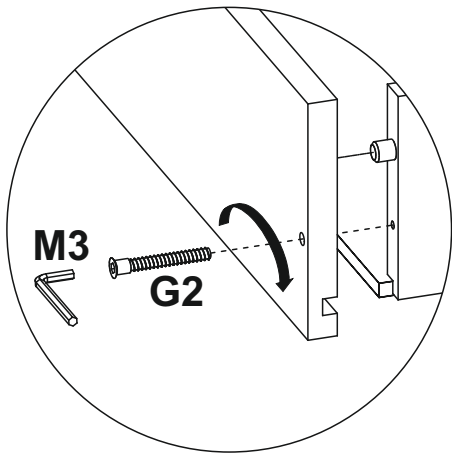
14



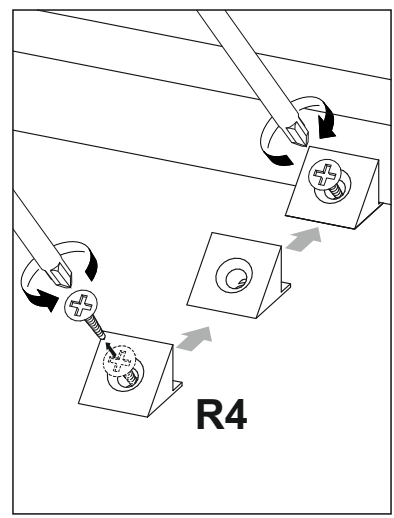
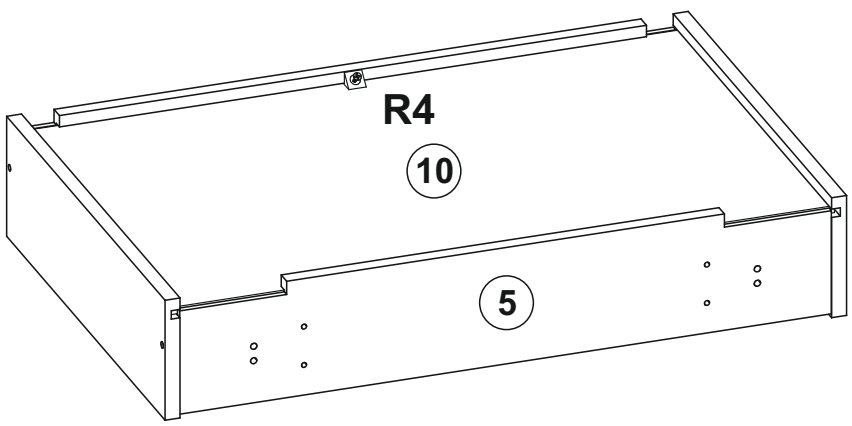
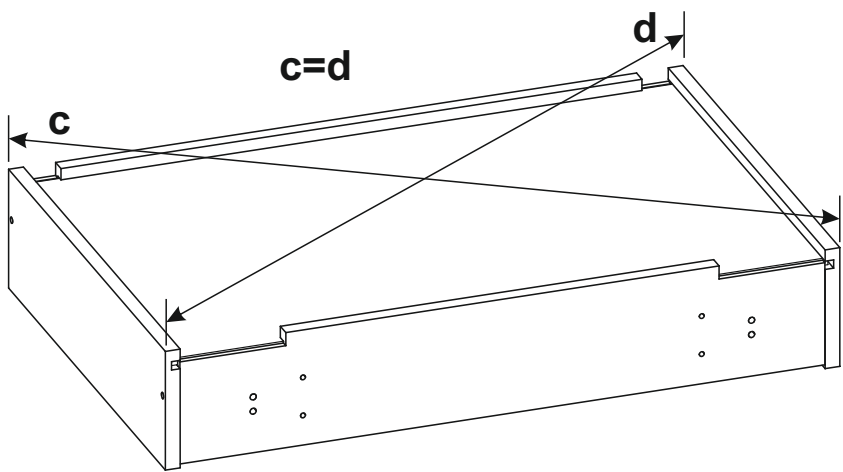
15



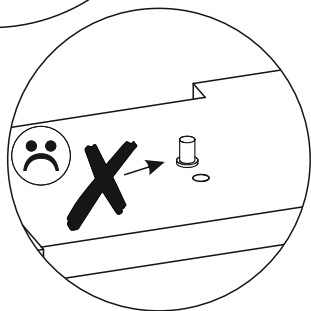
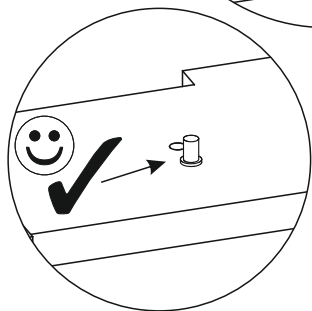
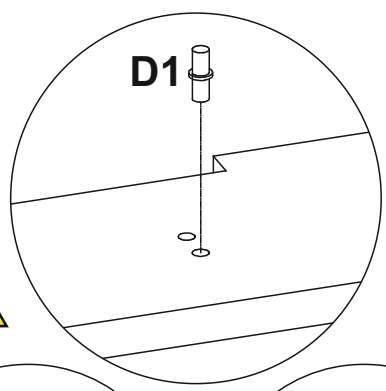
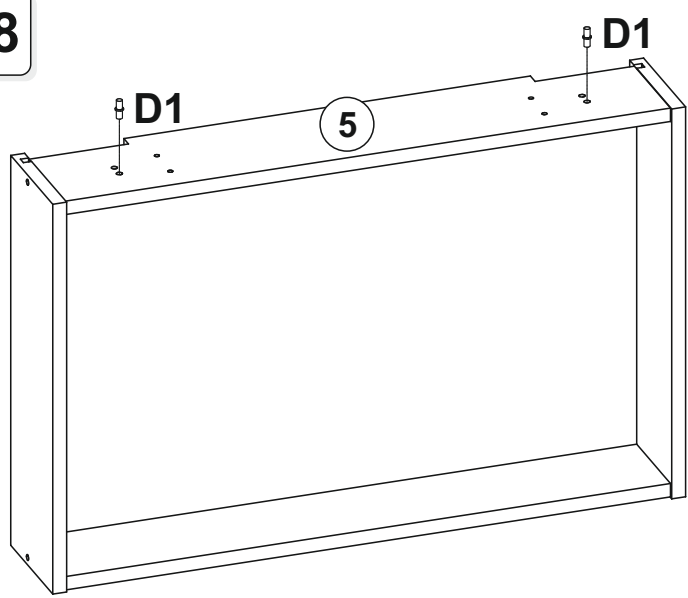
16



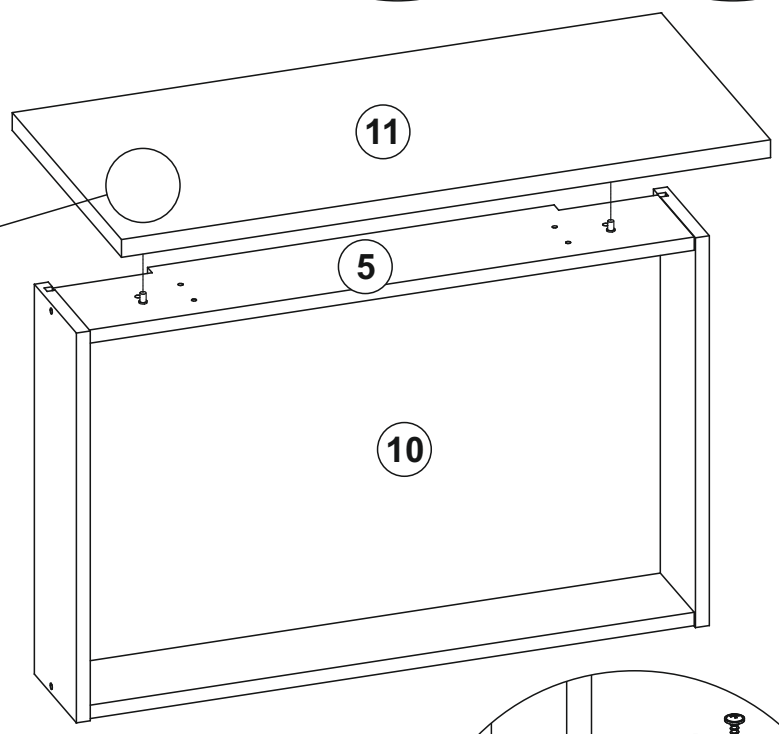
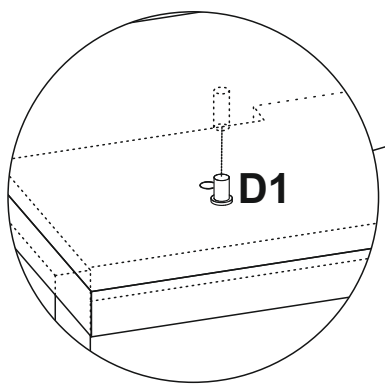
17



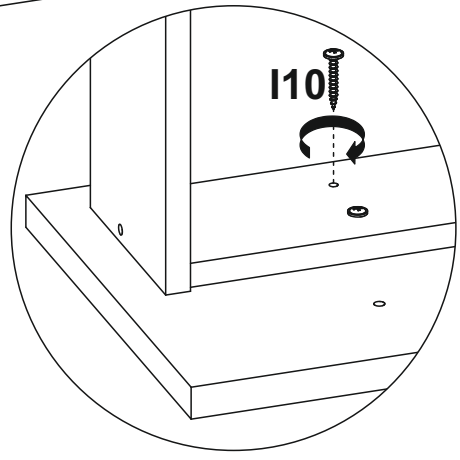
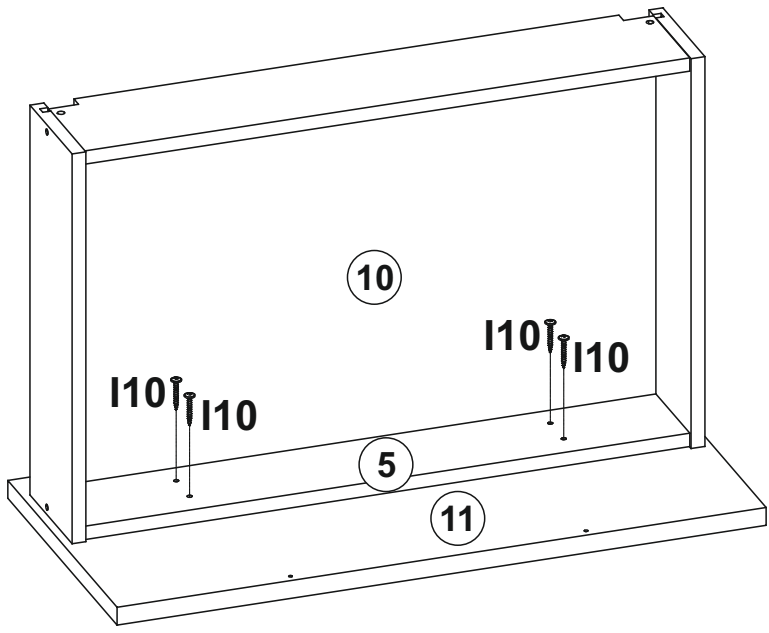
18



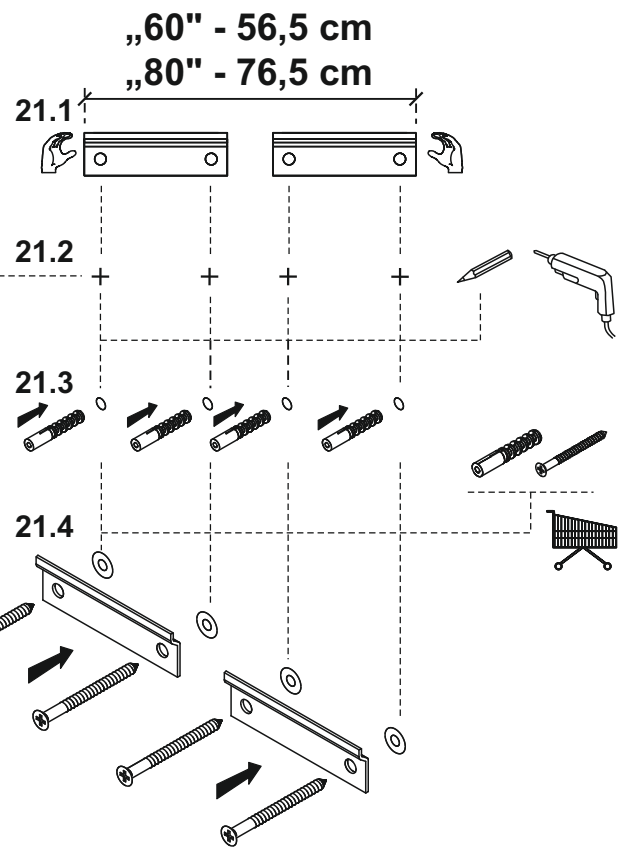
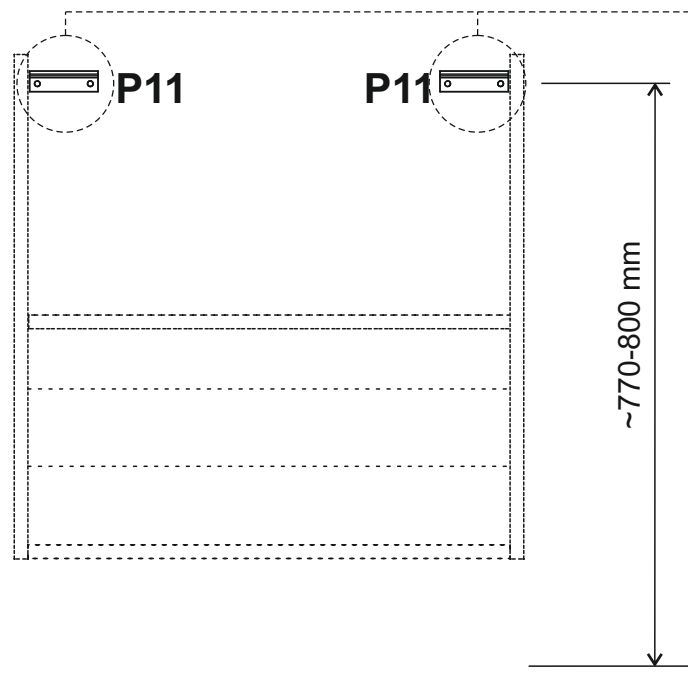
19



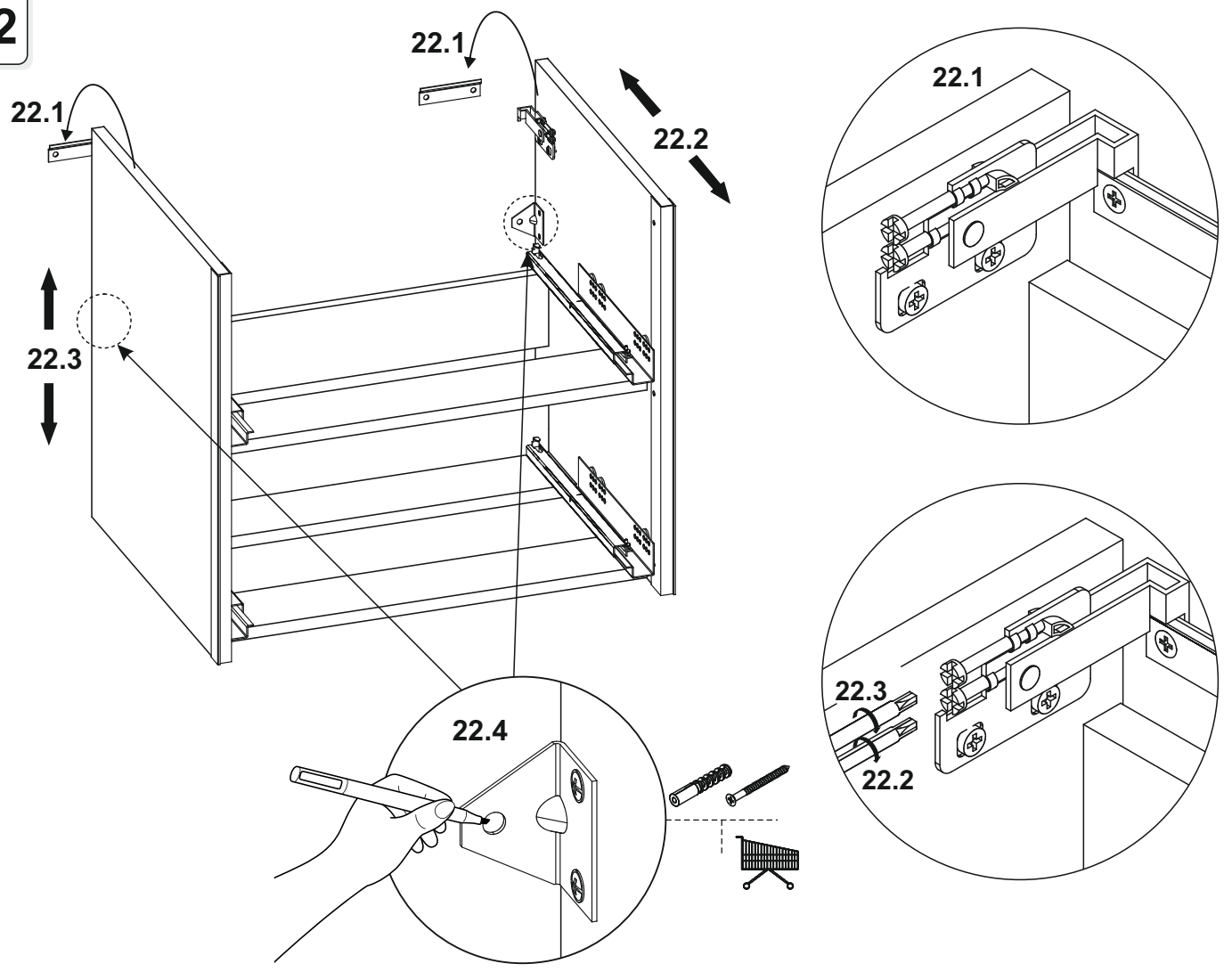
20



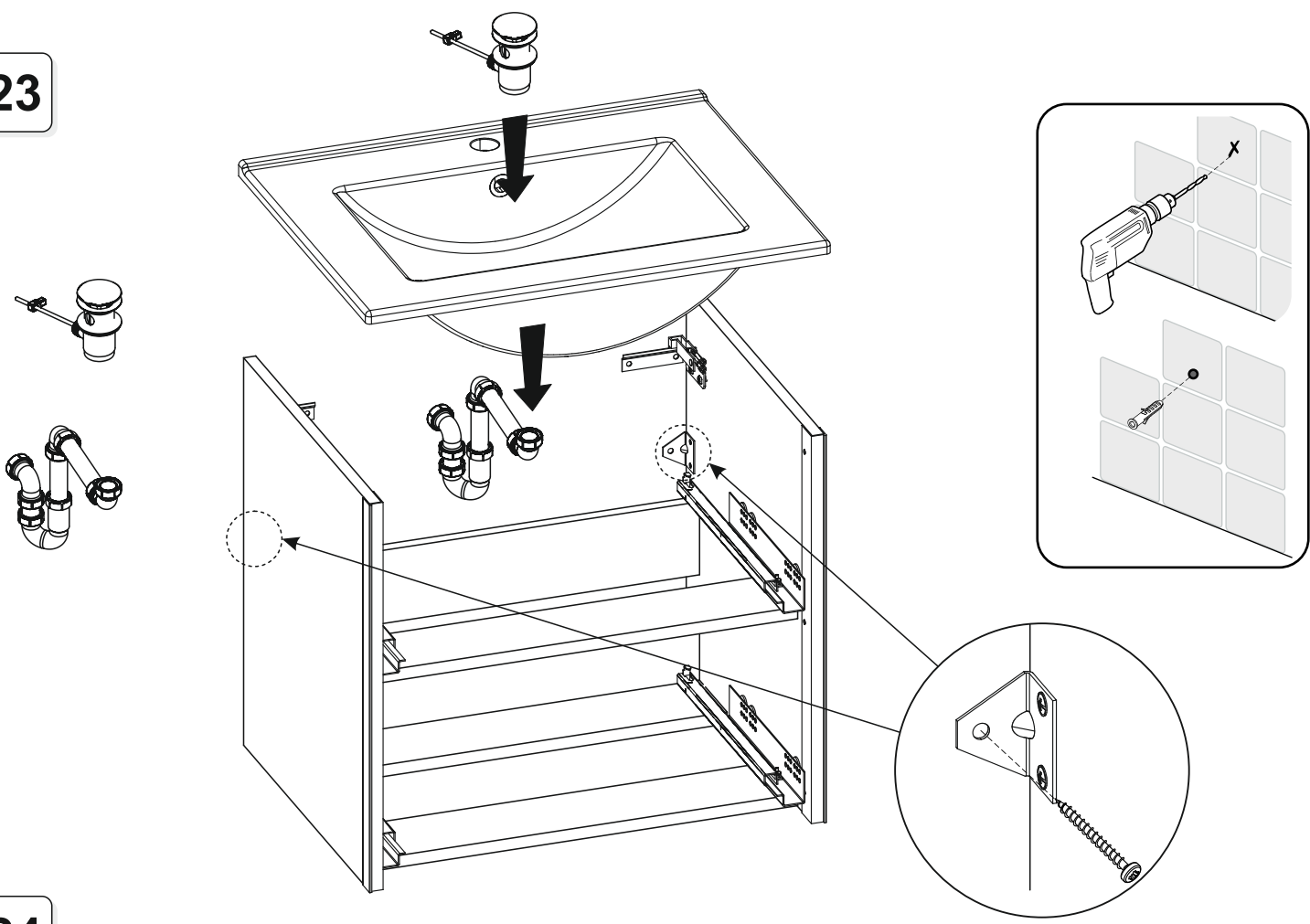
21



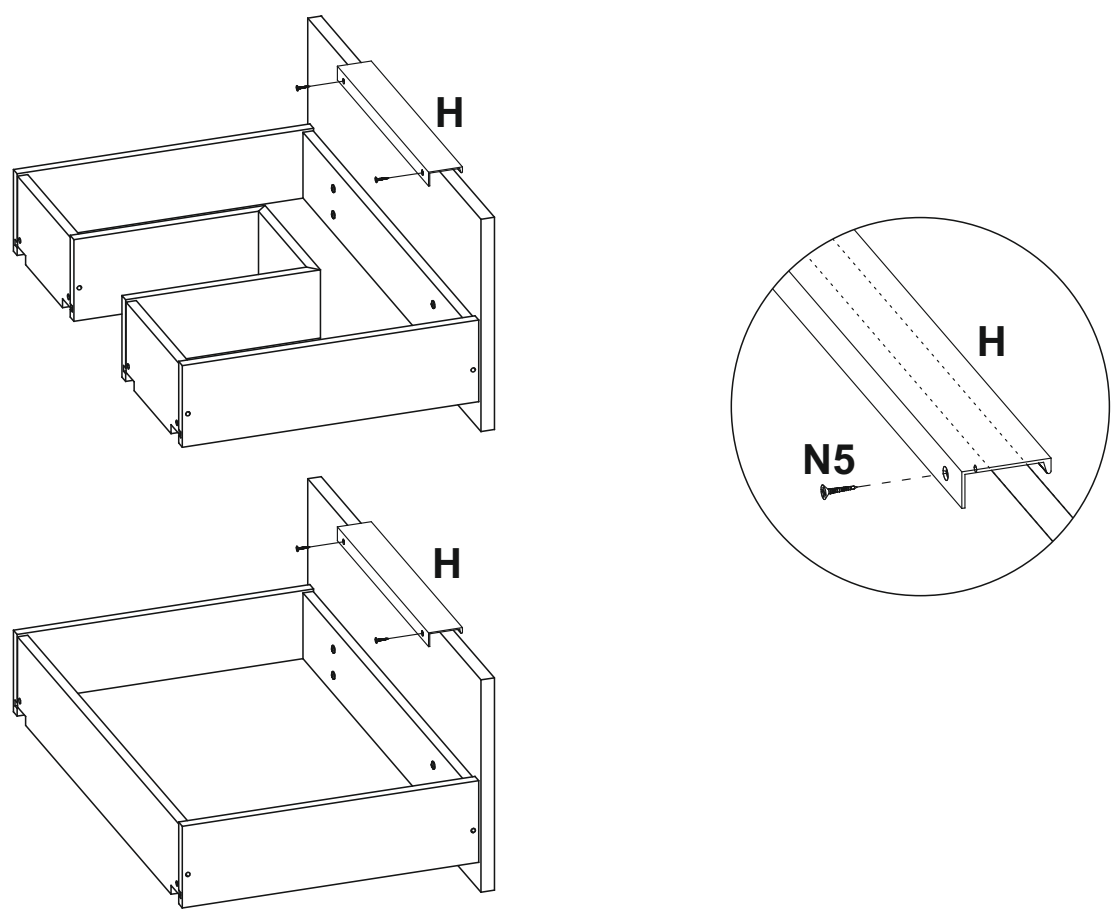
22



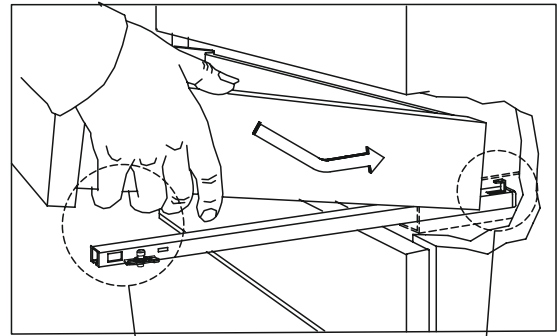
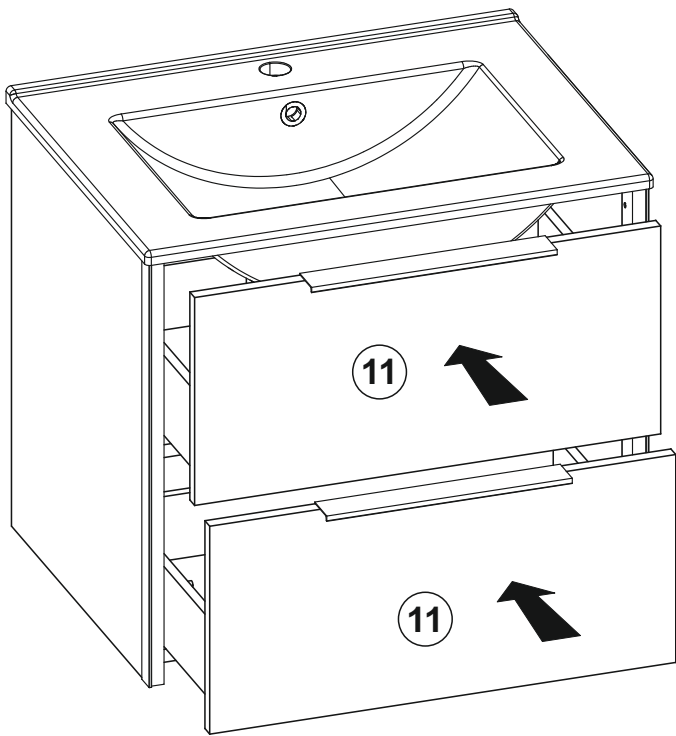
23



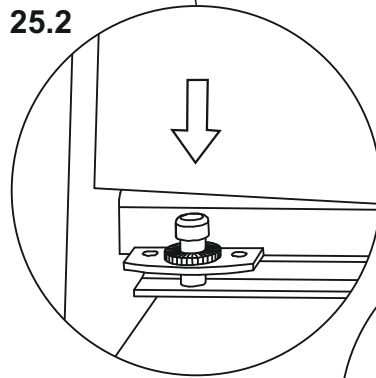
24



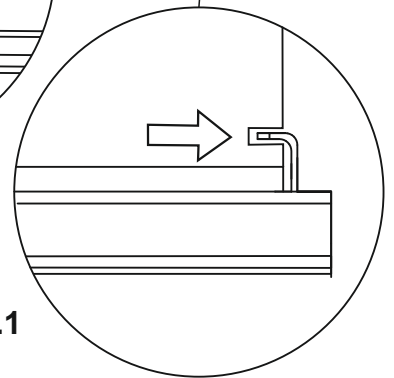
25



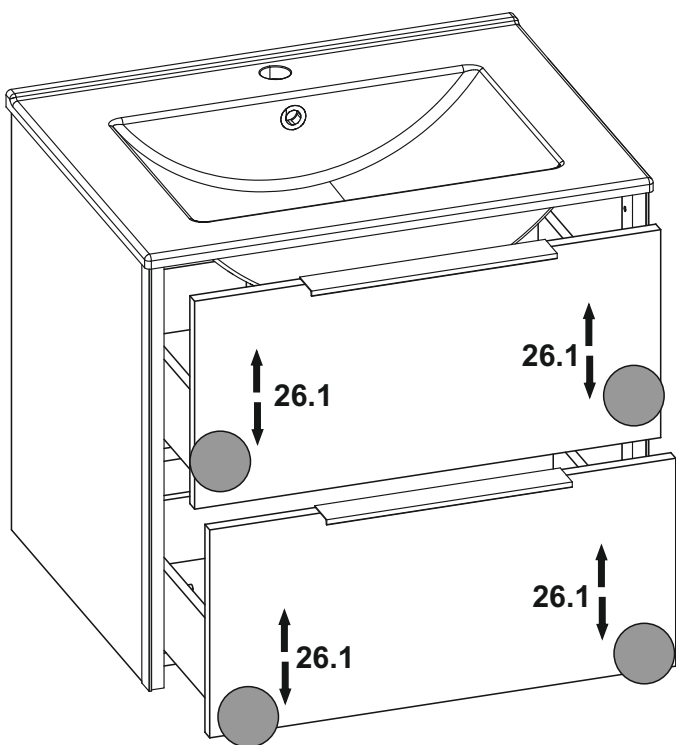
25.2



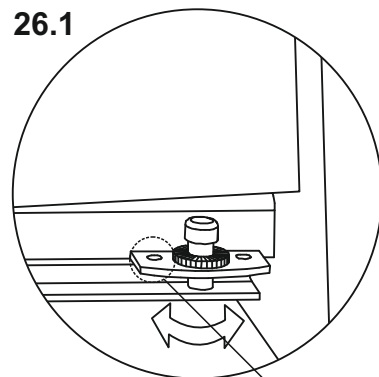
25.1



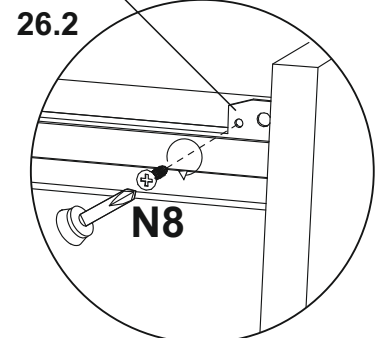
26



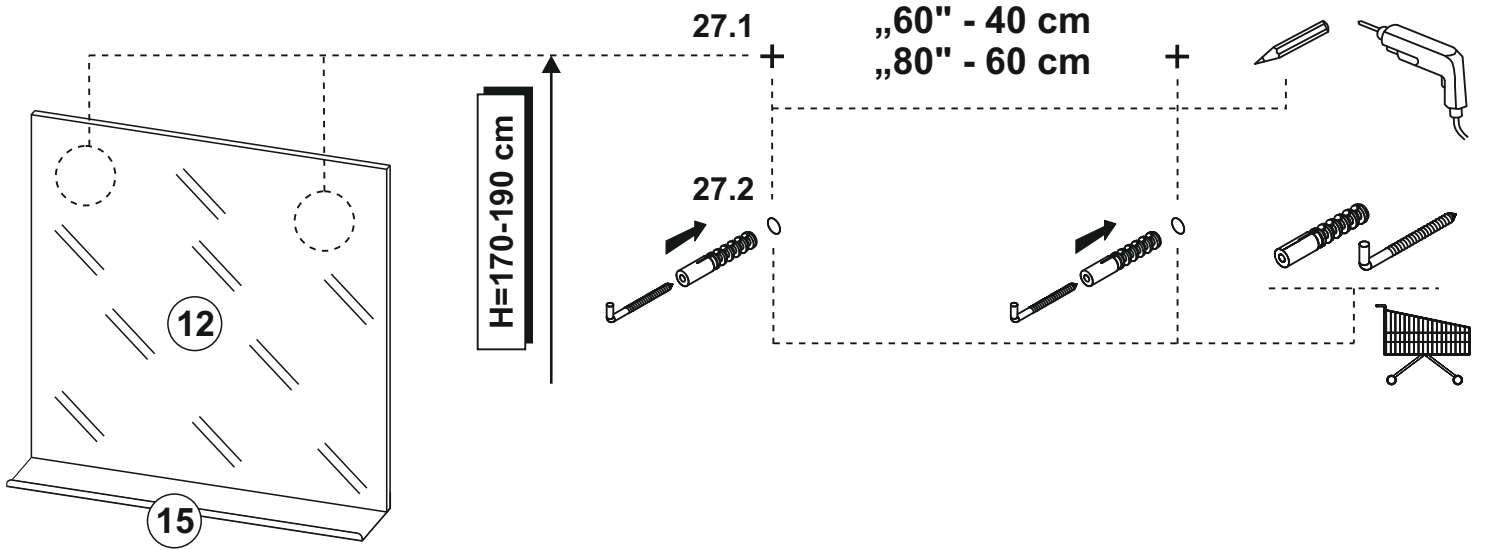
26.1



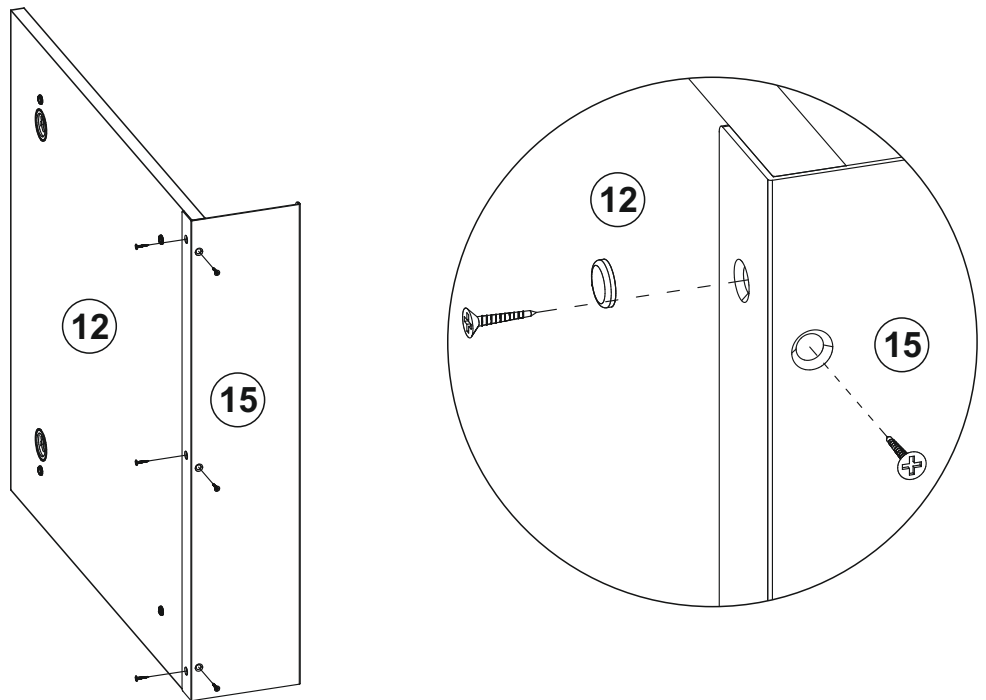
26.2



27



28



29

