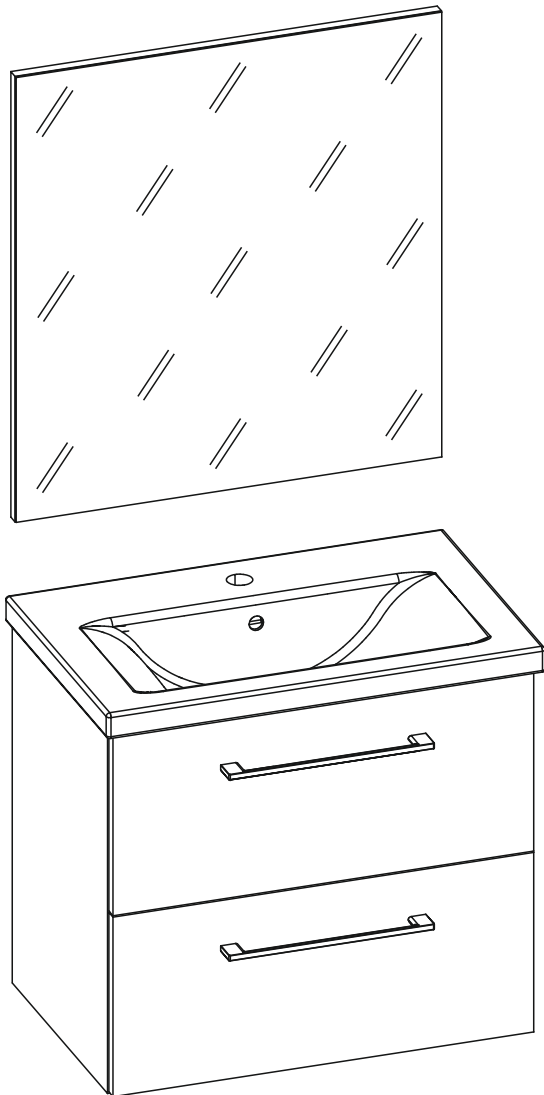
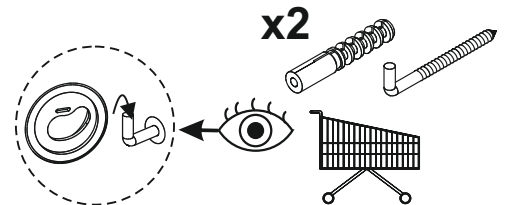
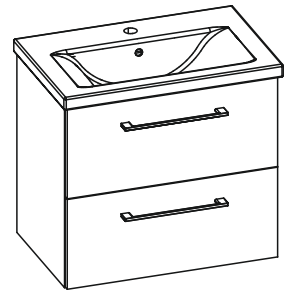
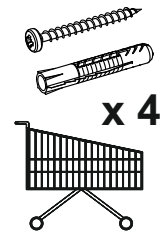


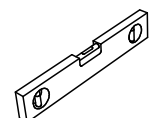
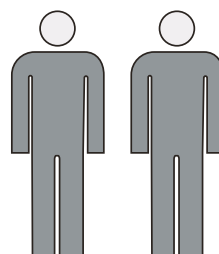
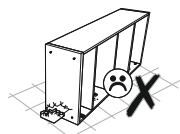
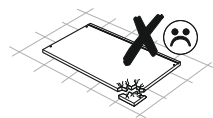
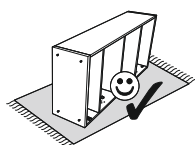
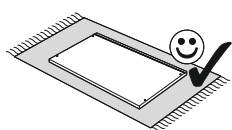
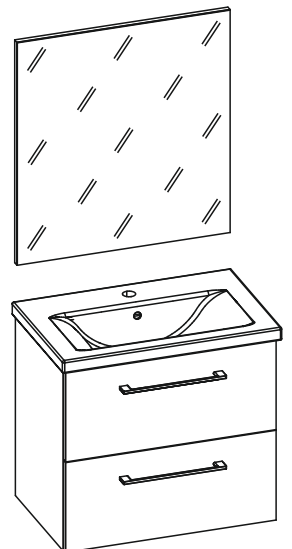
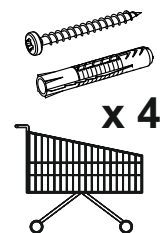
# 60 2DR / 80 2DR

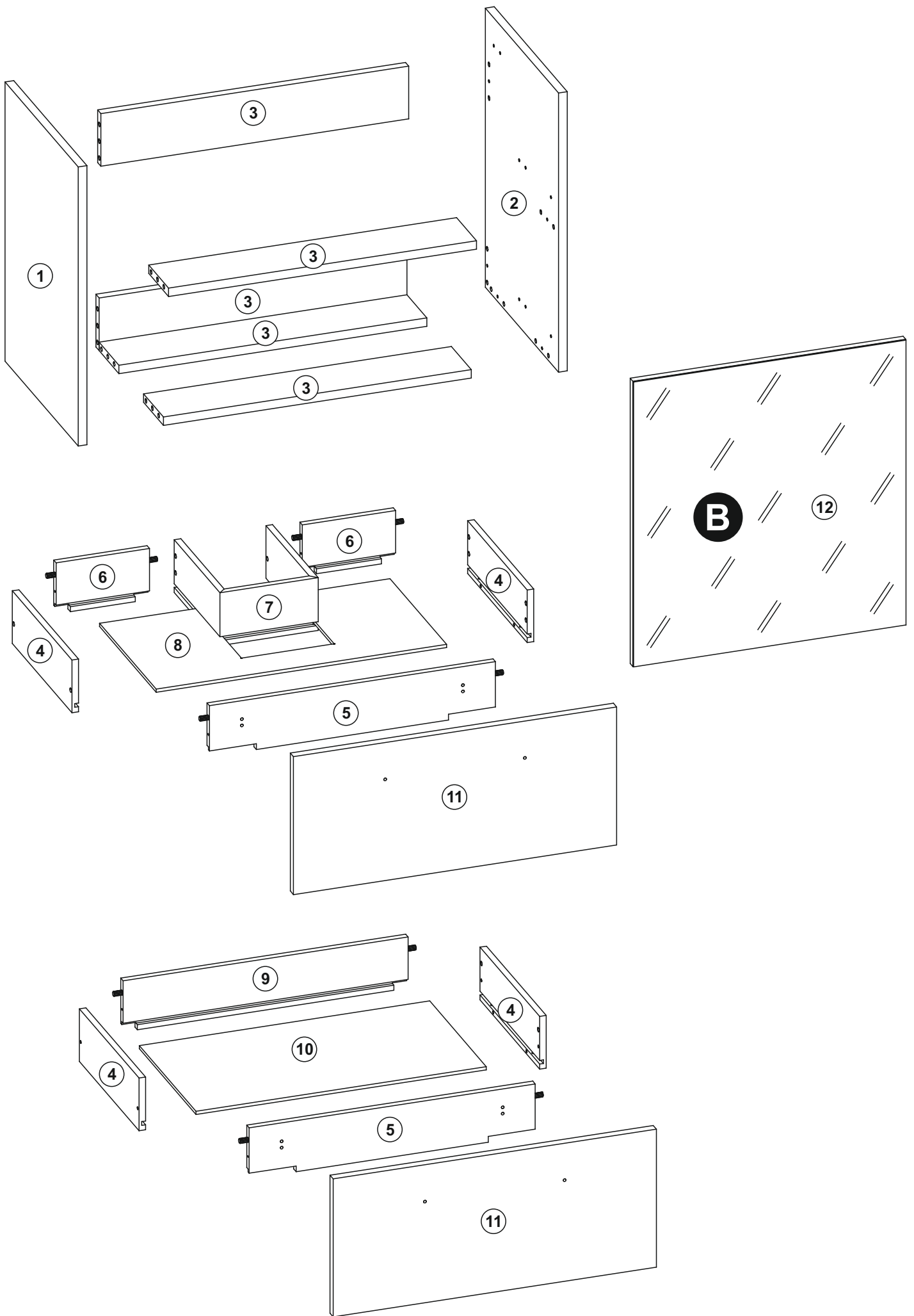



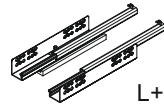

**A**

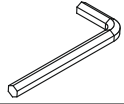




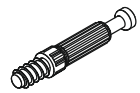
**B**

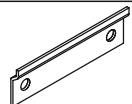
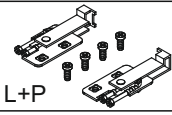


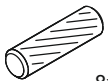
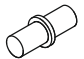

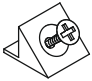





<b>C4</b>	<b>PHQ30</b>	<b>M4</b>
		
Euro 6,3x13	L+P	US3,5x20
x 12	x 2	x 4


<b>M3</b>	<b>G2</b>
	
	5 x 40
x 1	x 10

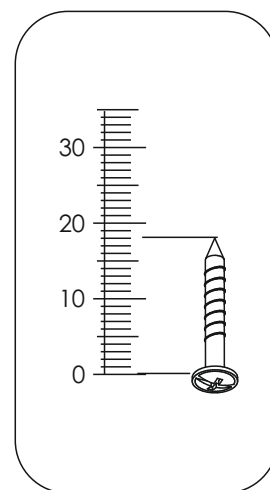
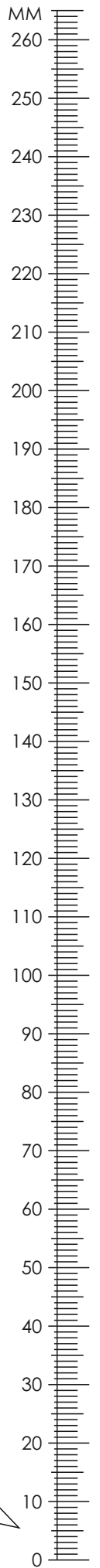
<b>E1</b>	<b>F1</b>
	
x 10	x 10

<b>P11</b>	<b>ZR2</b>
	
	L+P
x 2	x 1

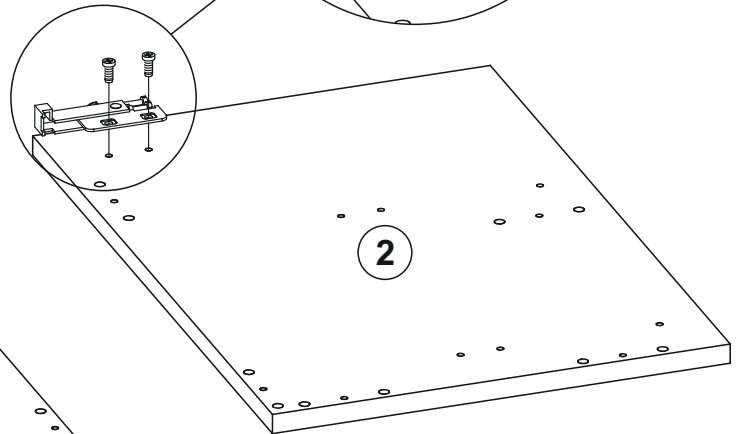
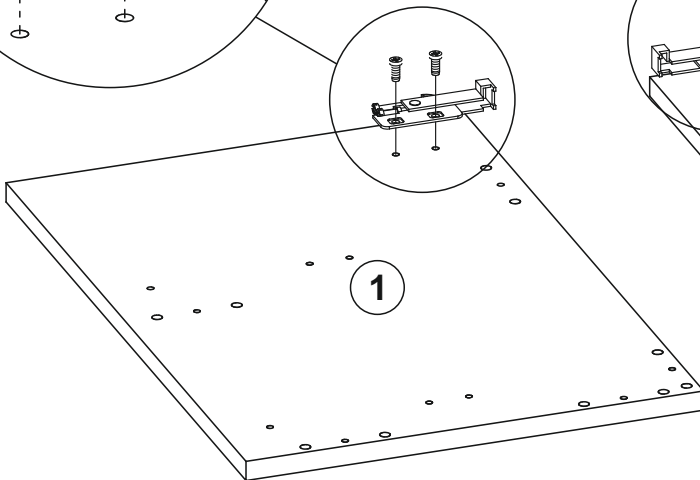
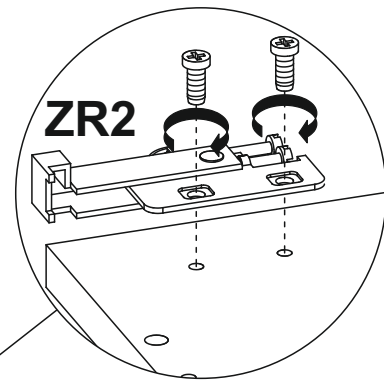
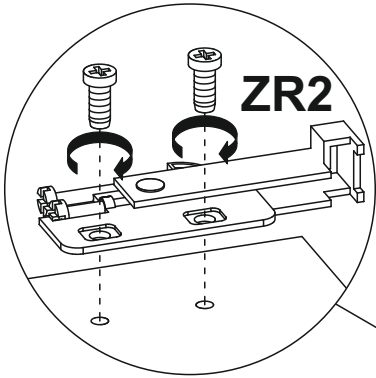
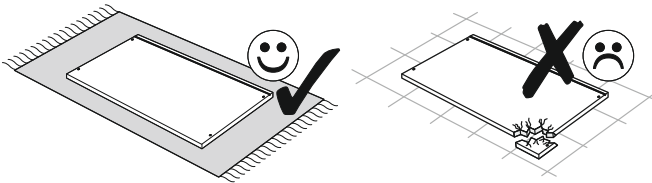
<b>A1</b>	<b>D1</b>	<b>I10</b>	<b>R4</b>	<b>R8</b>	<b>K1</b>
					
8x30		UP 4x23		ø8	M4x22
x 20	x 4	x 8	x 4	x 4	x 4

<b>H1</b>

x 2

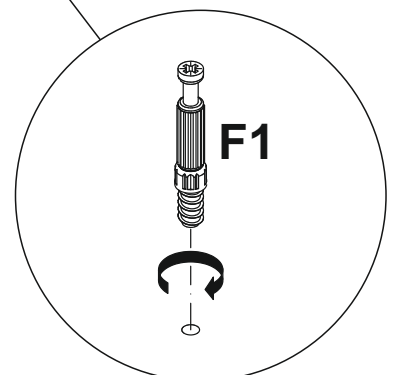
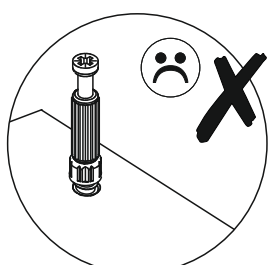
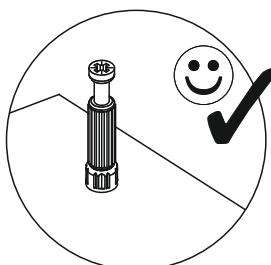
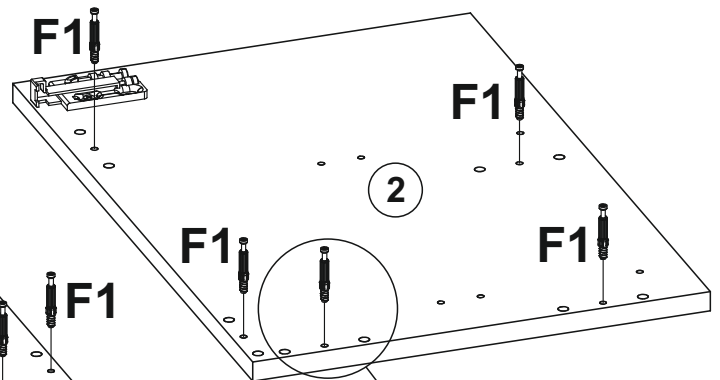
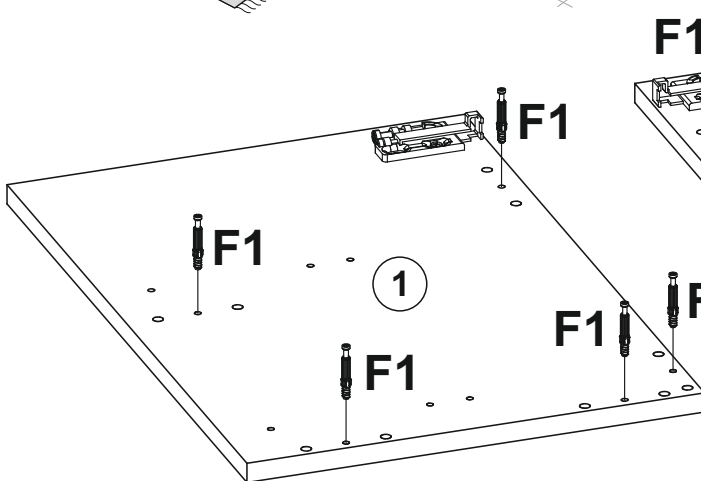
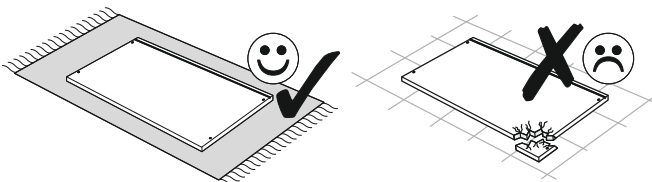
<b>H2</b>

x 2



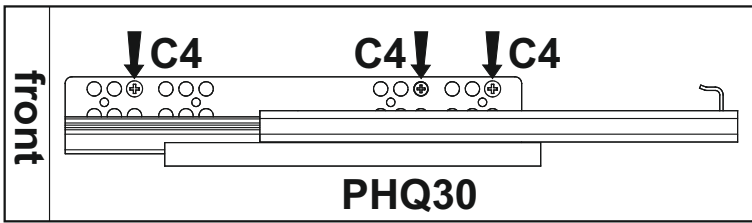
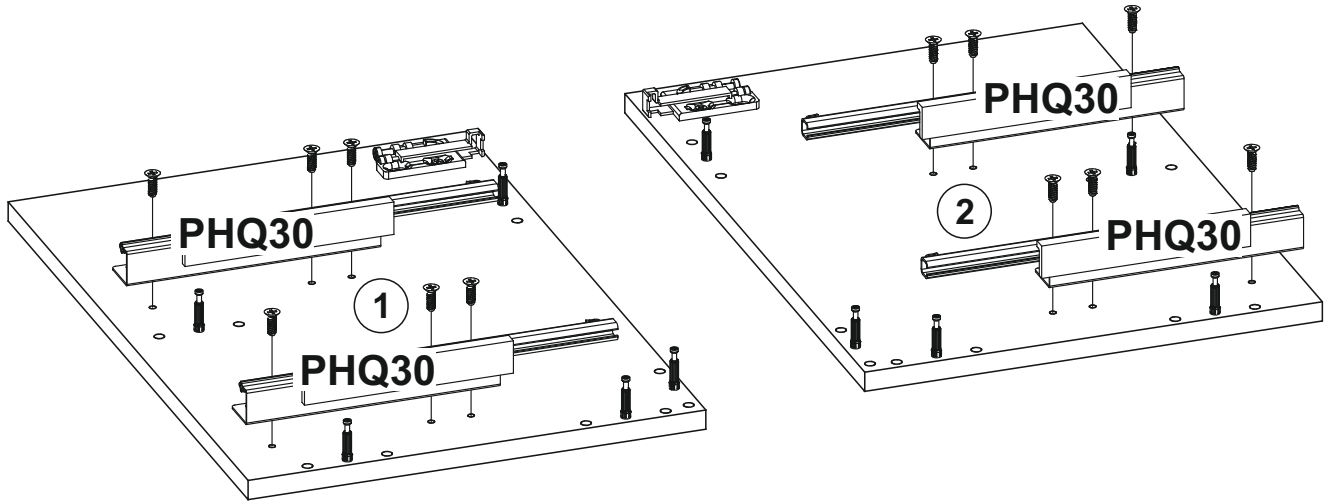
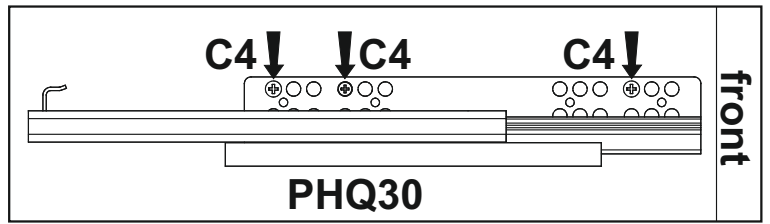
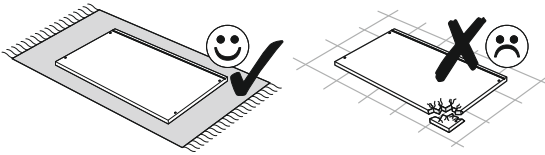
1



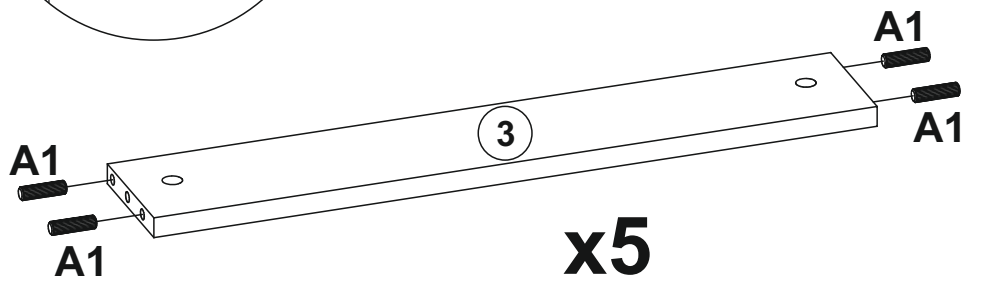
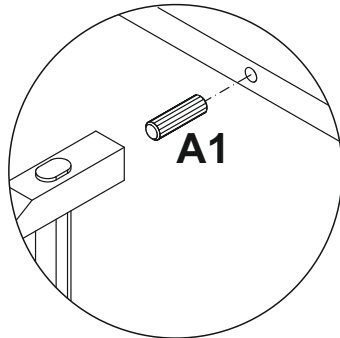
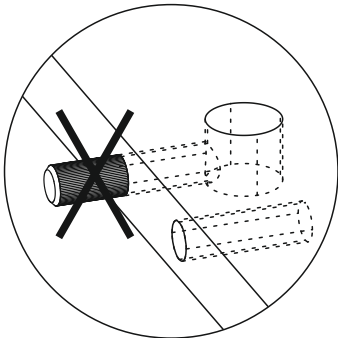
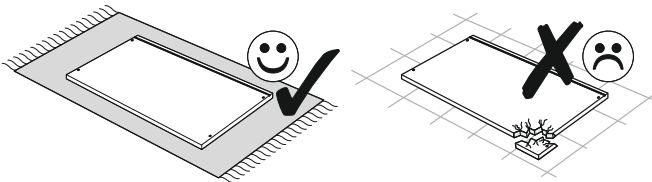
2



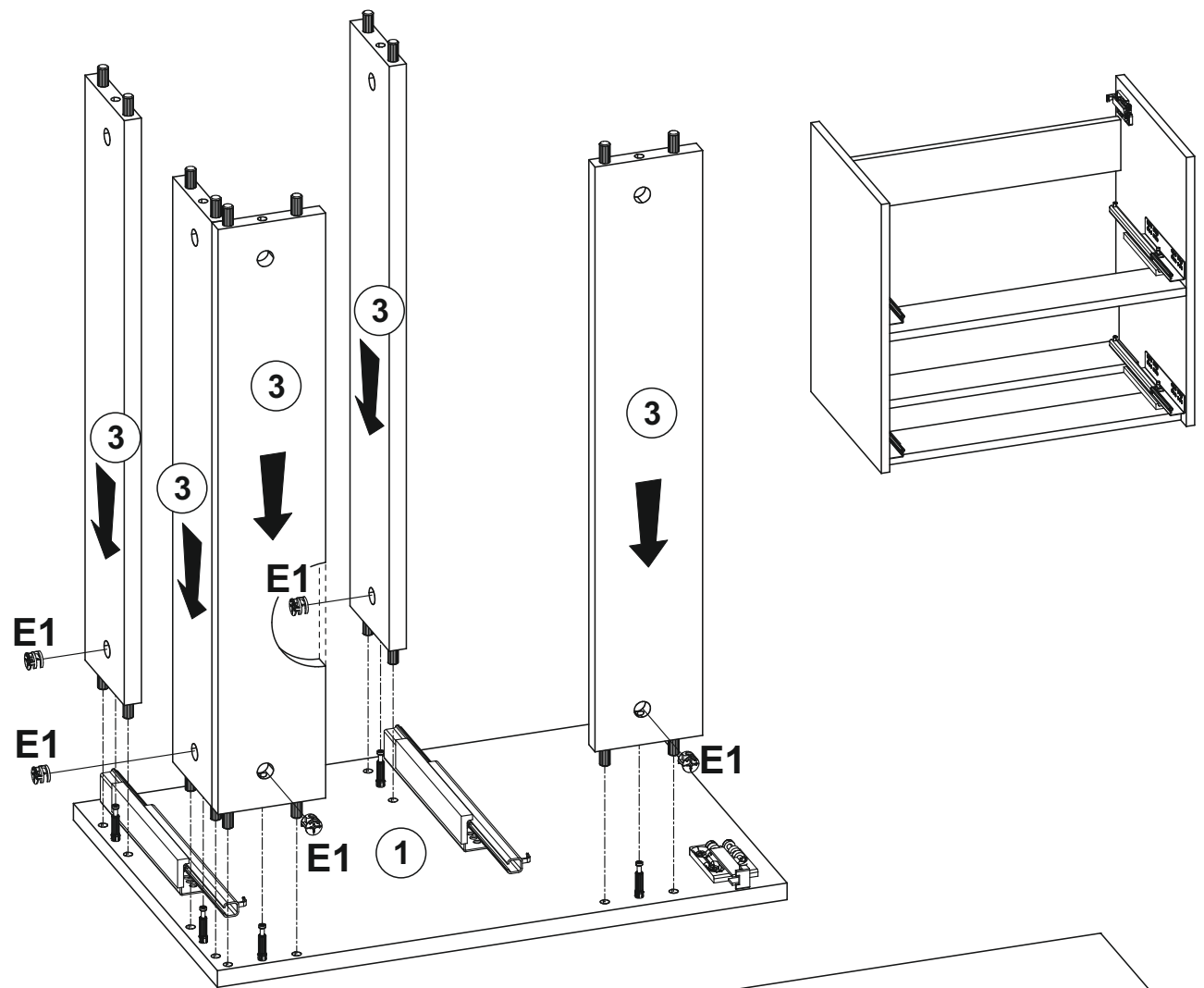
3



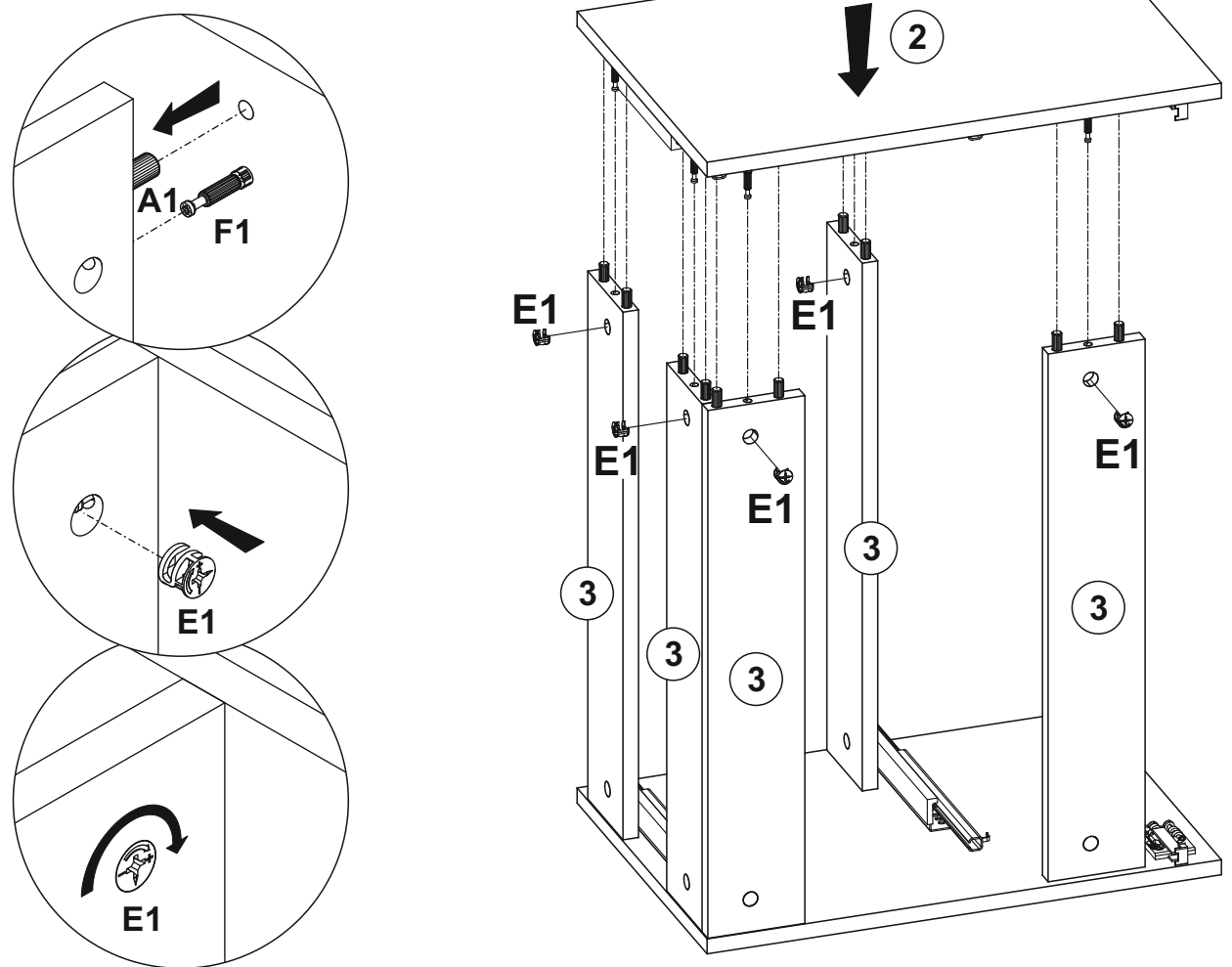
4



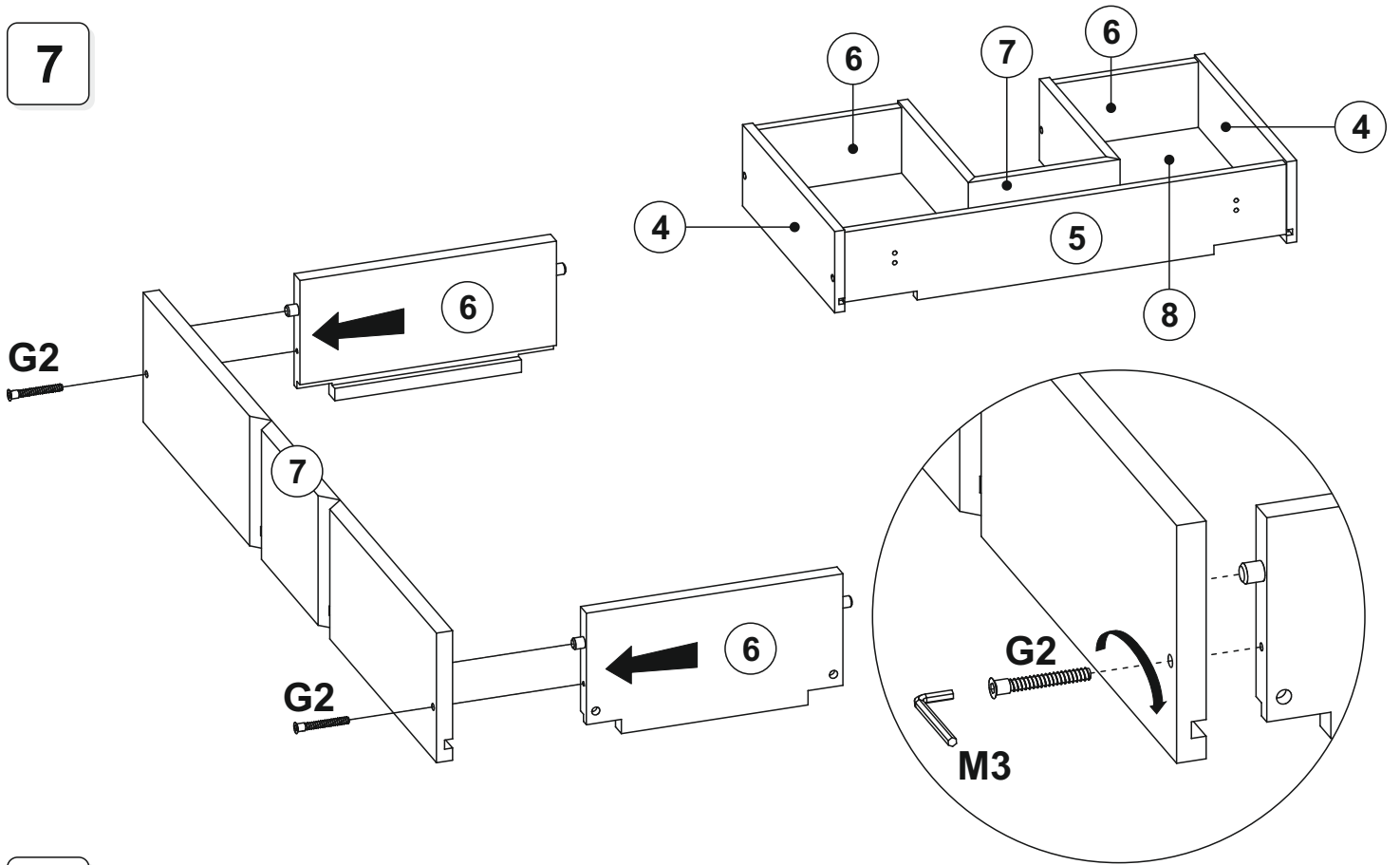
5



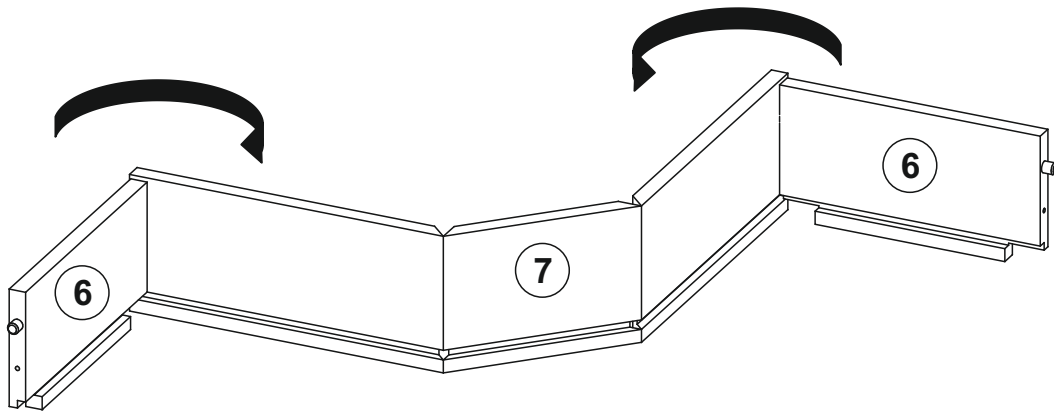
6



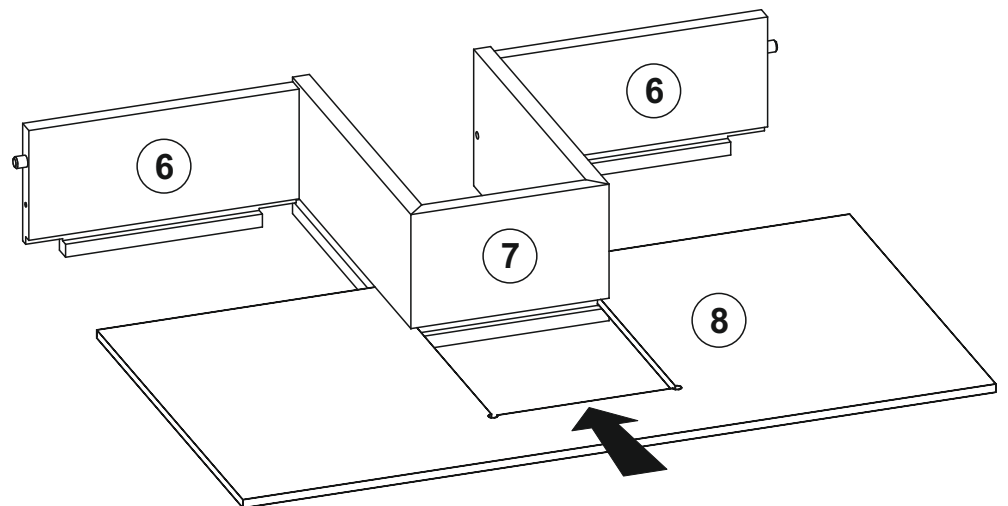
7



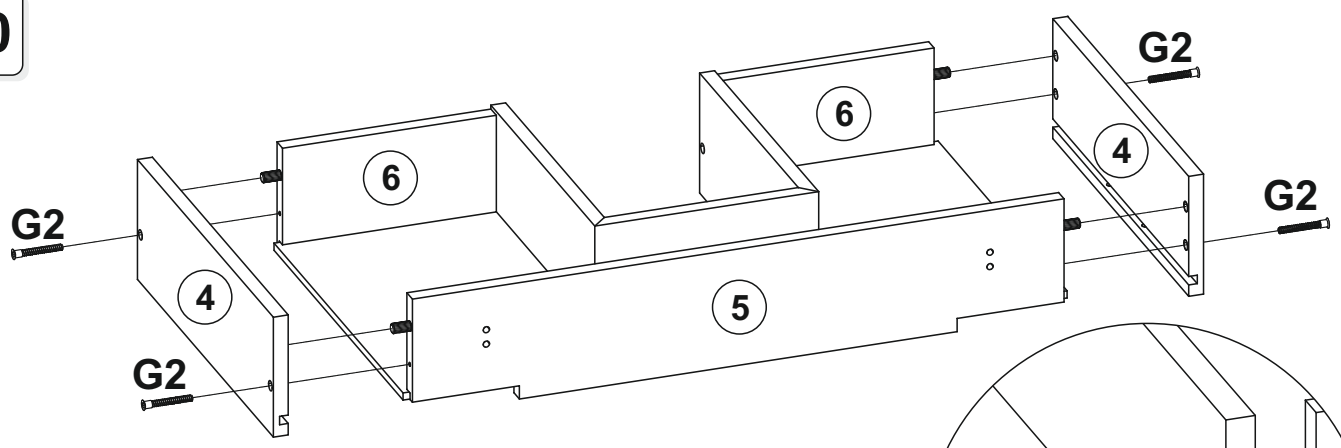
8



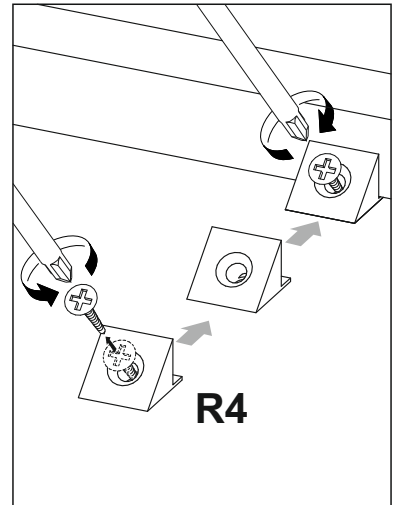
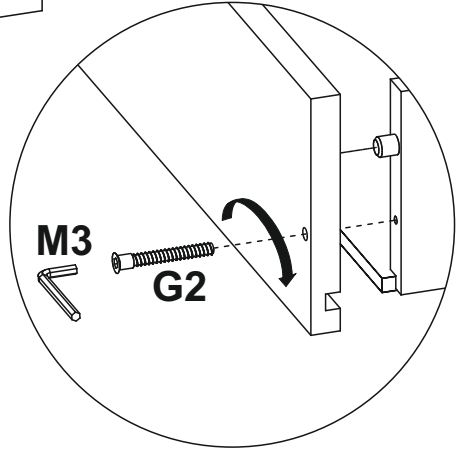
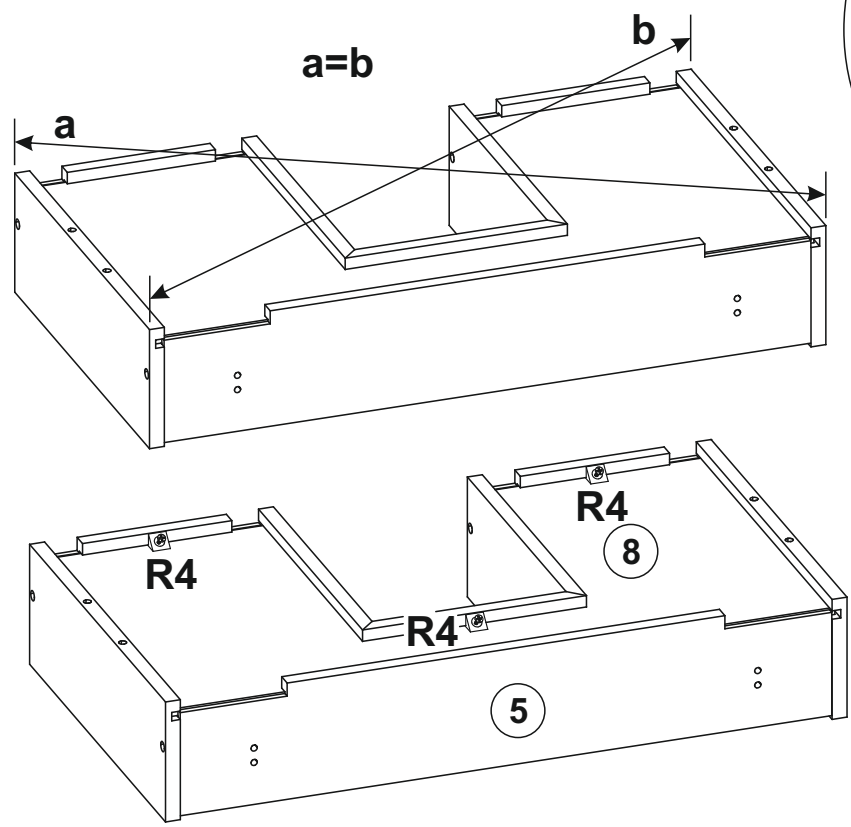
9



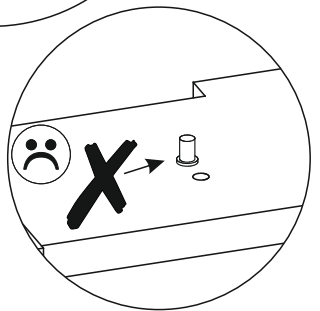
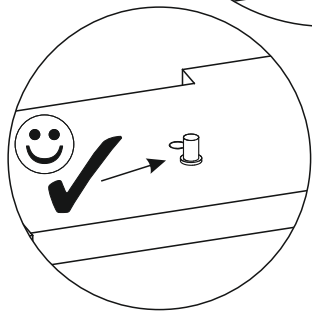
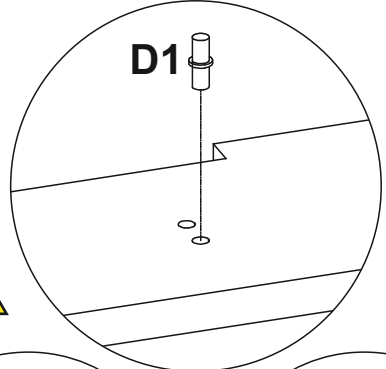
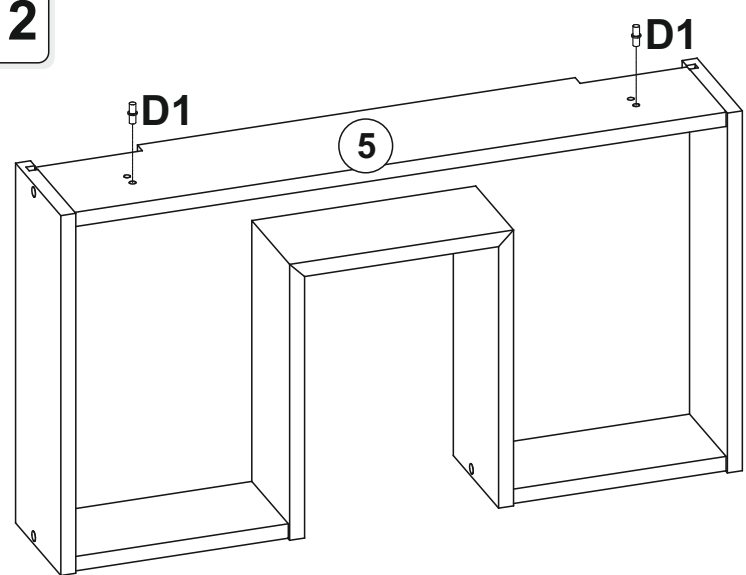
10



11

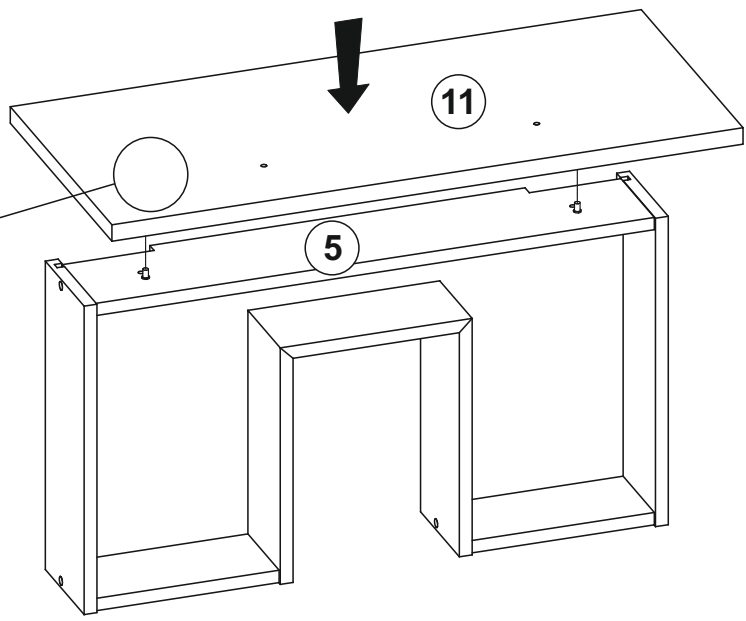
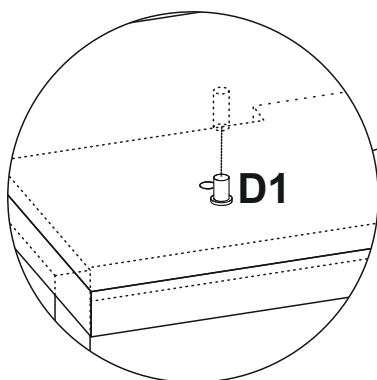


12

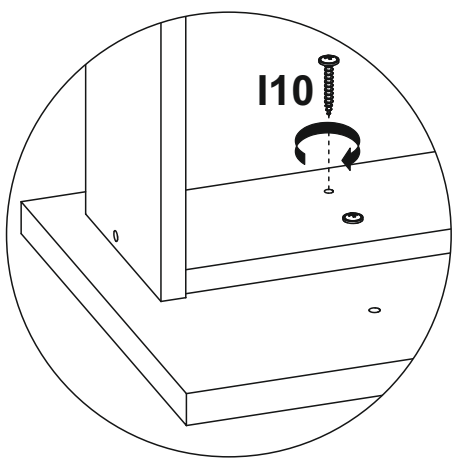
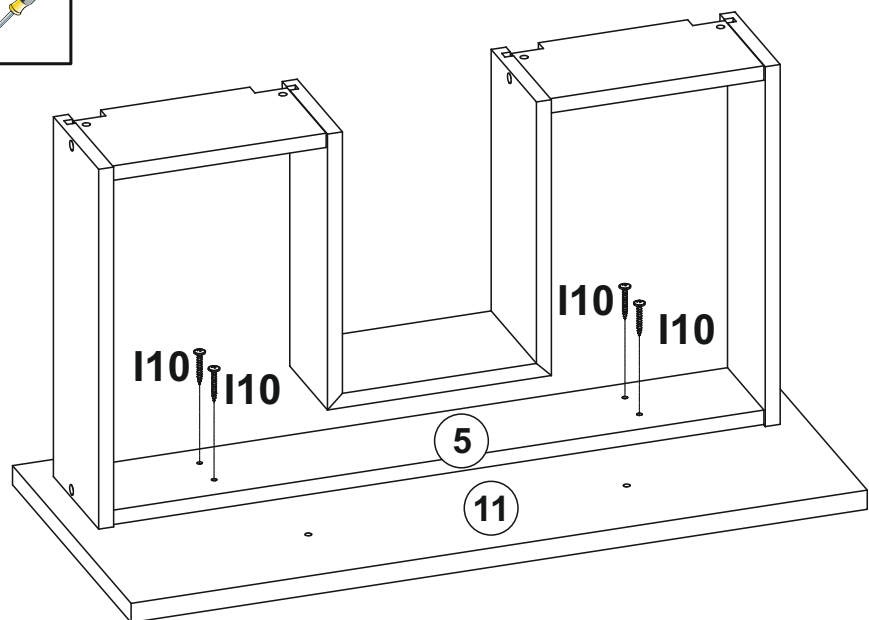
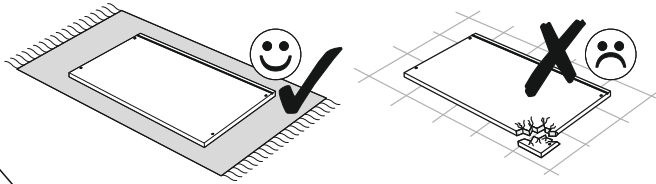




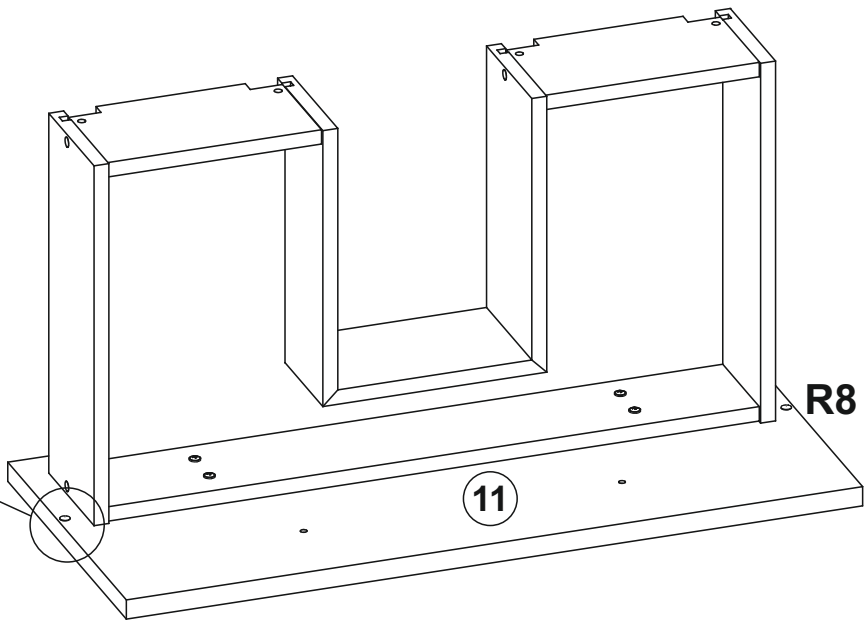
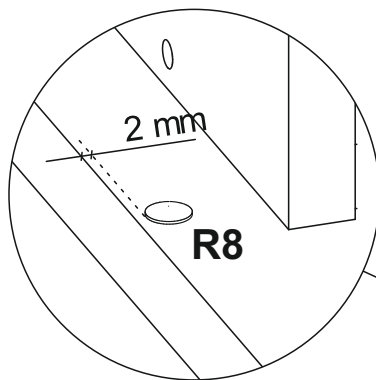
13



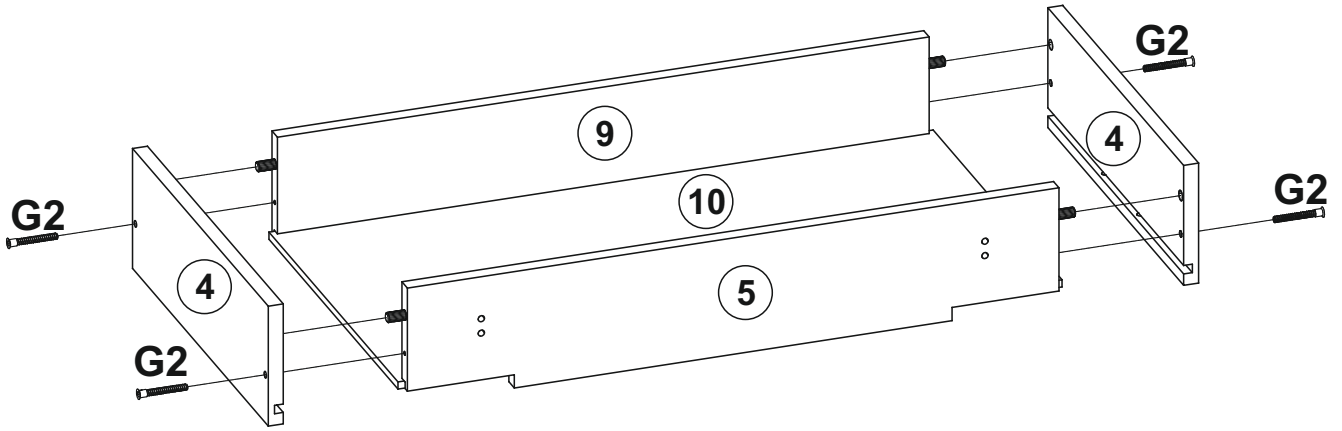
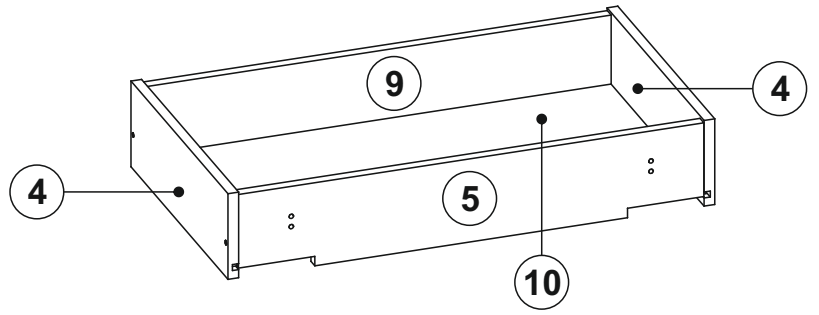
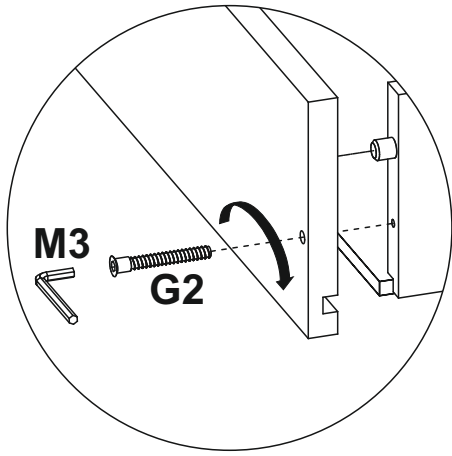
14



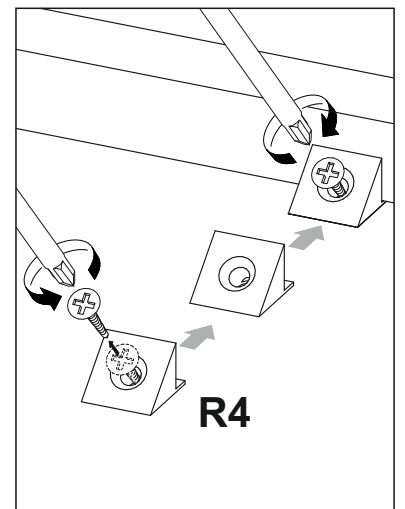
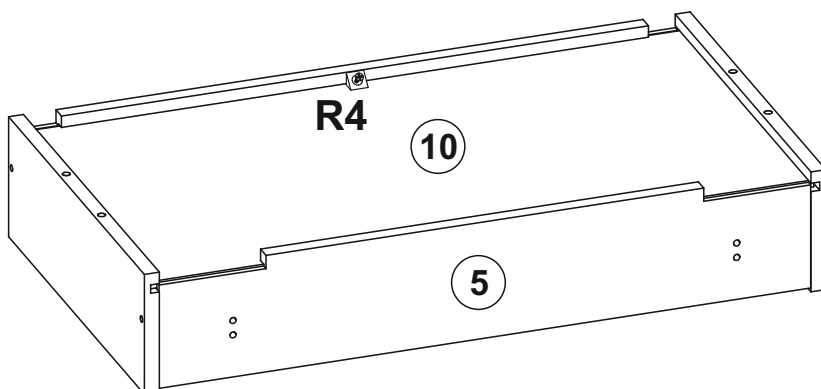
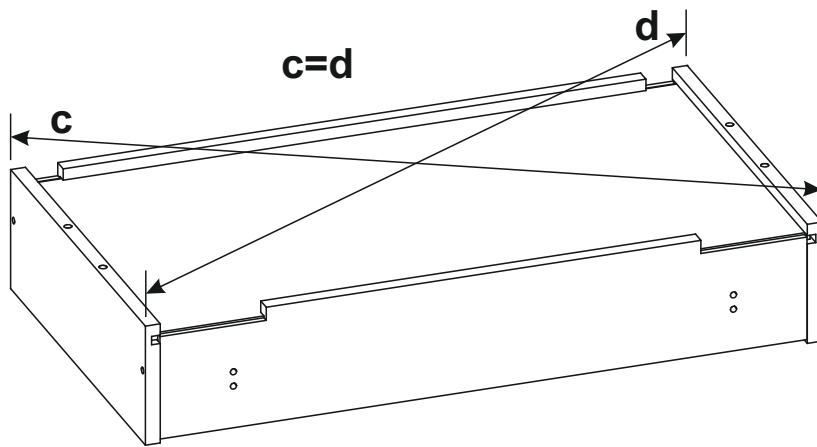
15



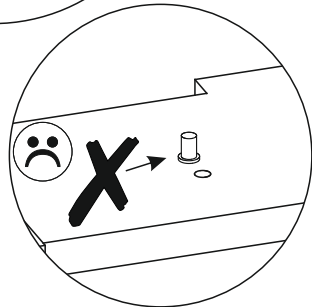
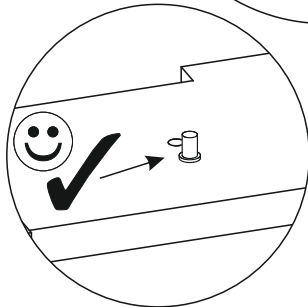
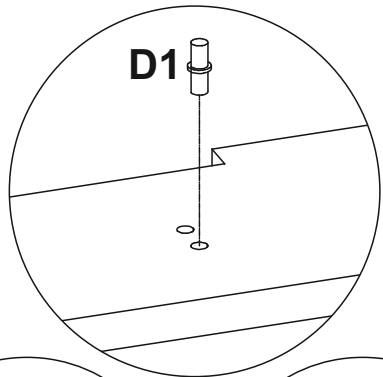
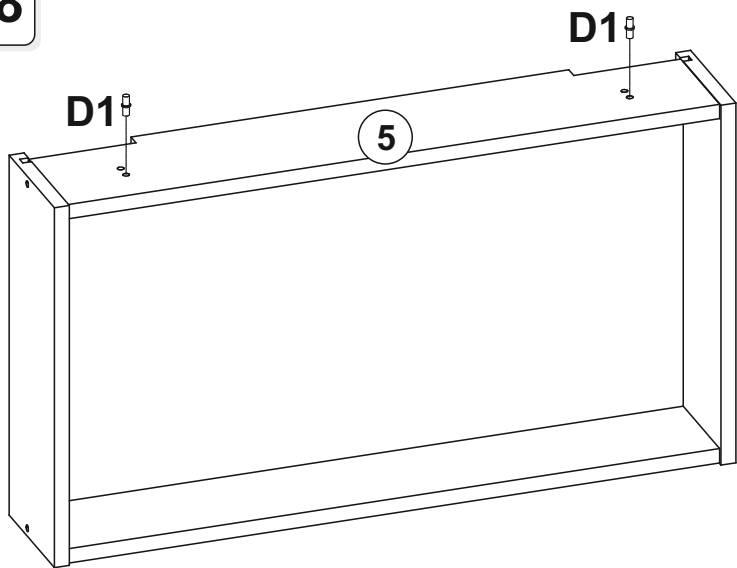
16



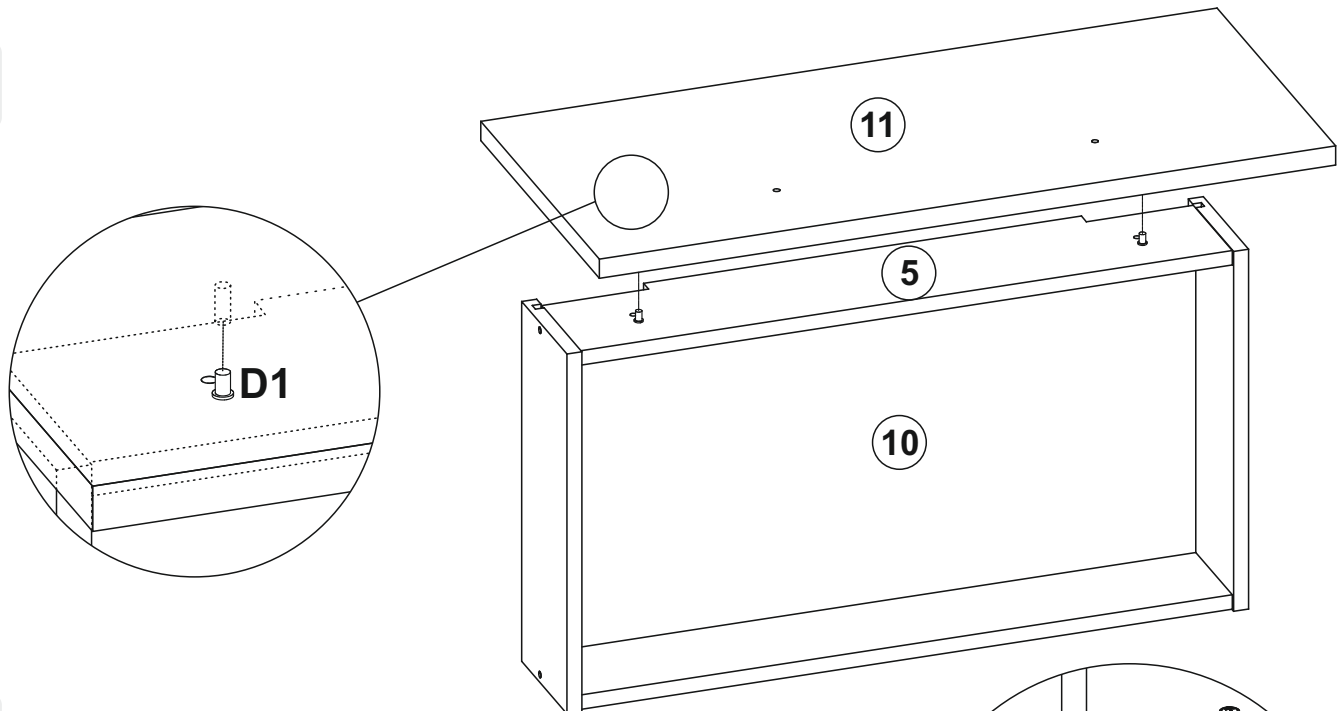
17



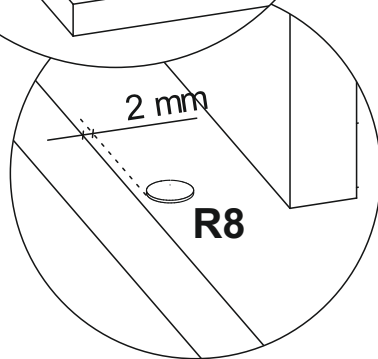
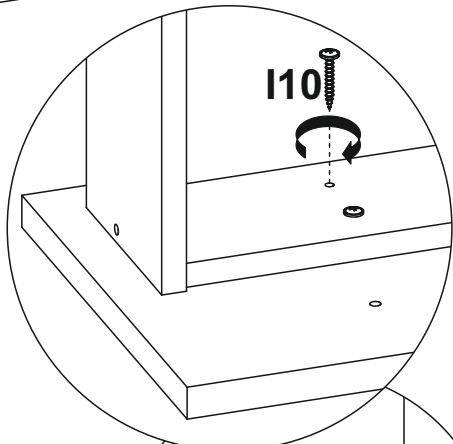
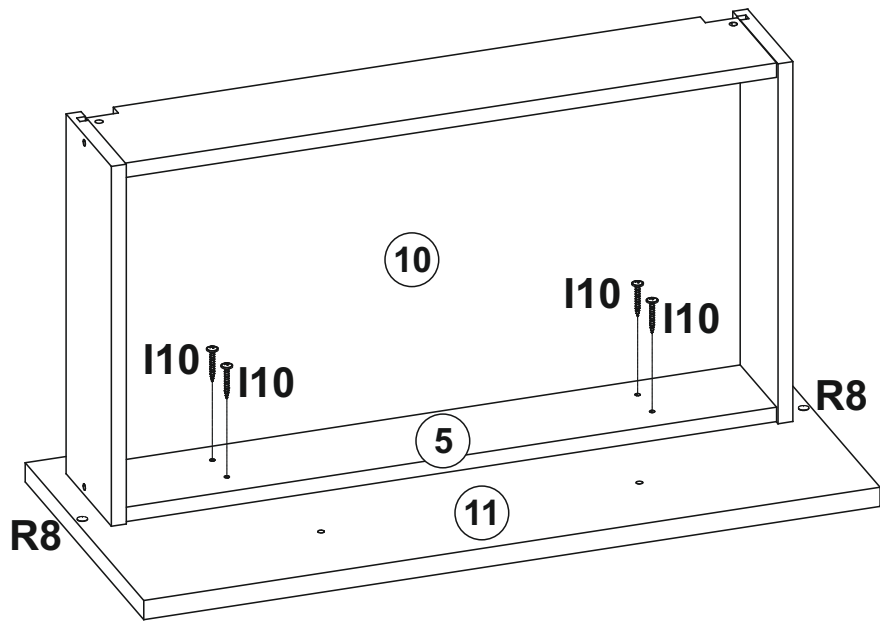
18



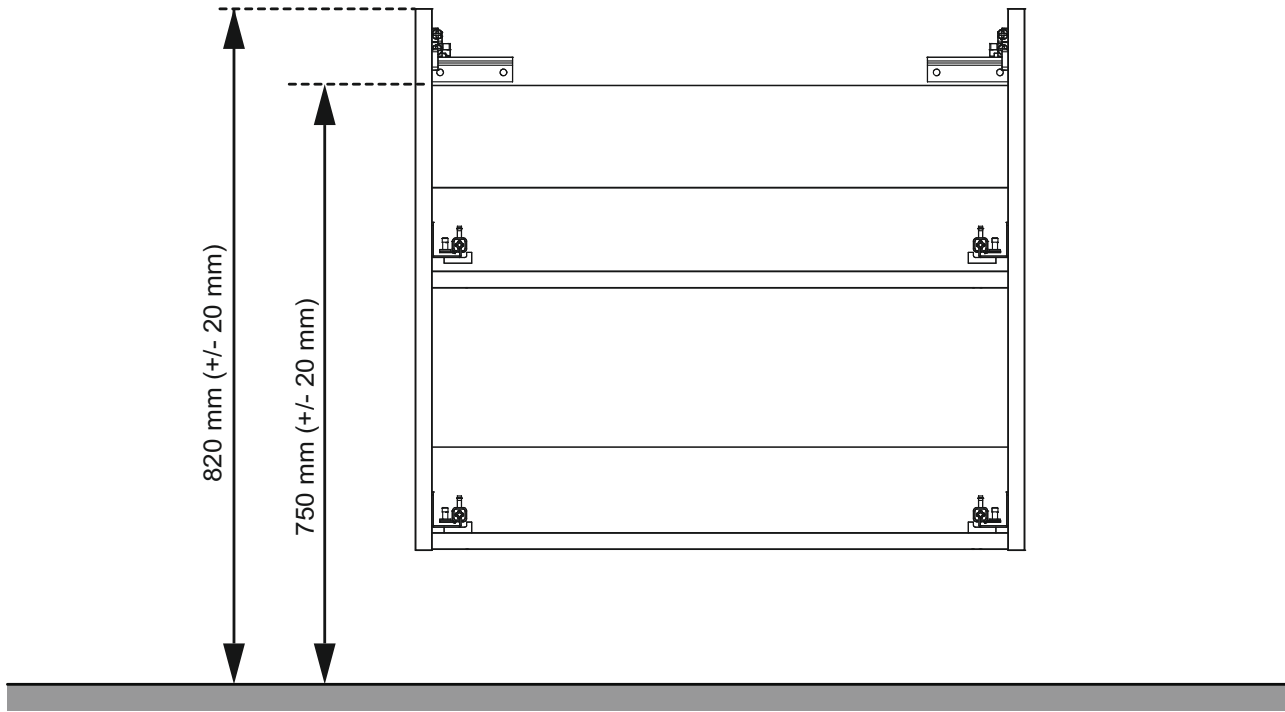
19



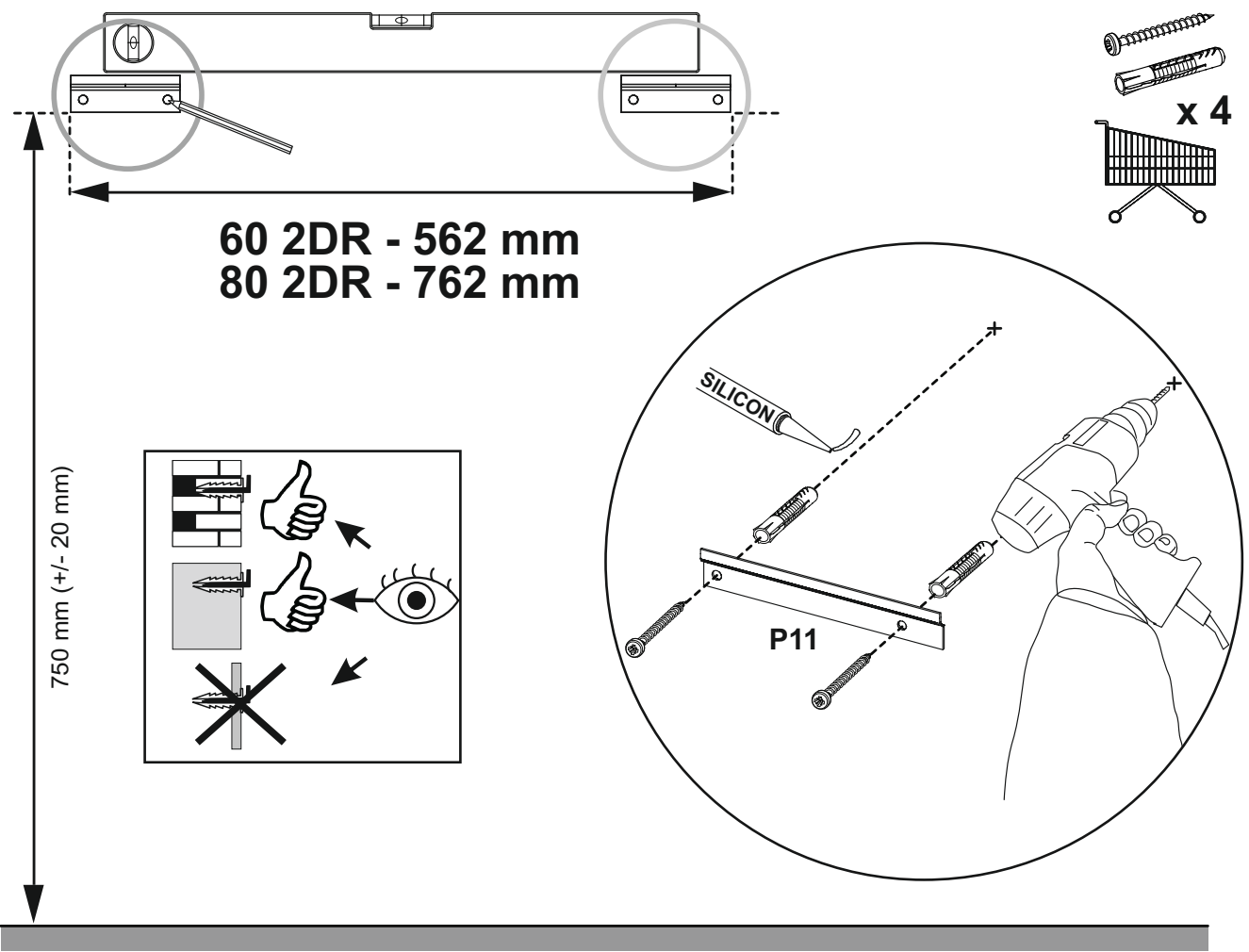
20



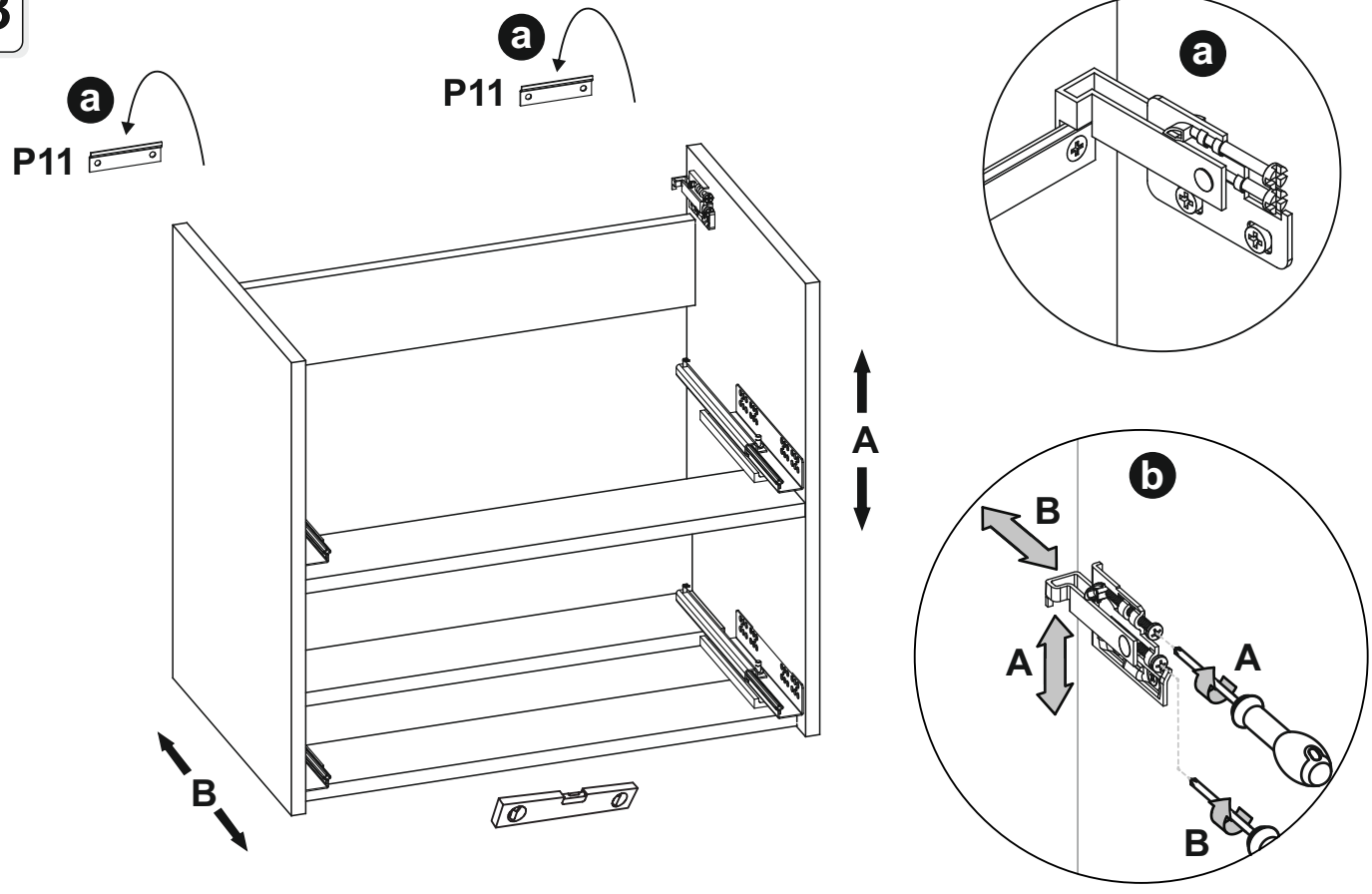
21



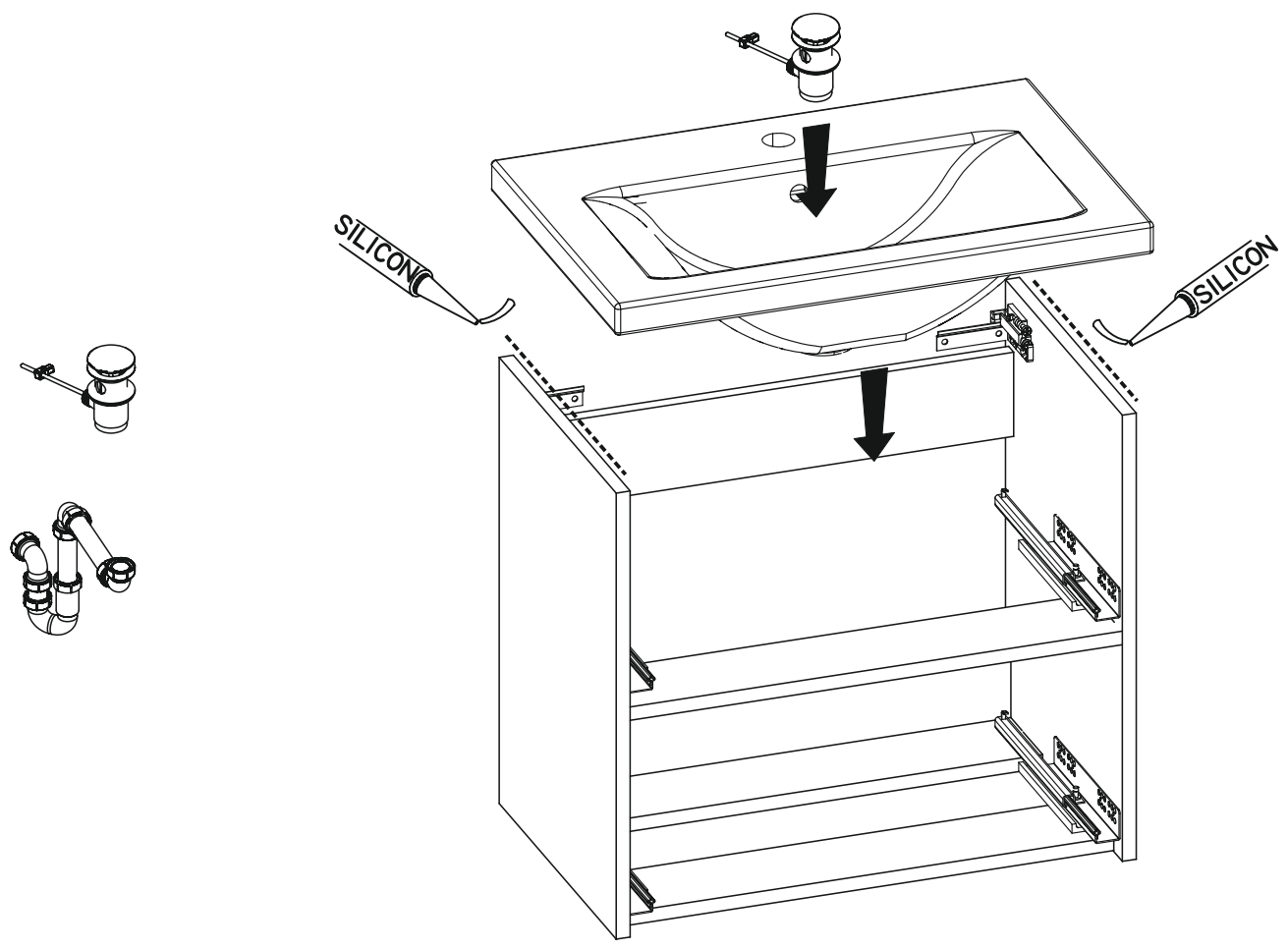
22



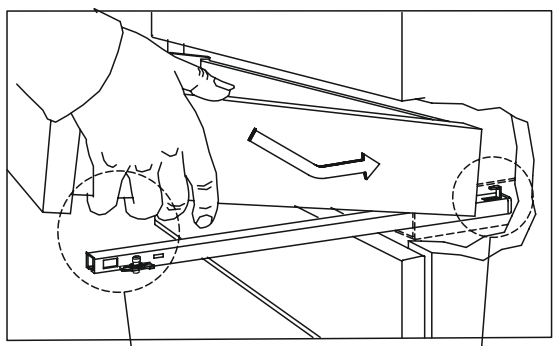
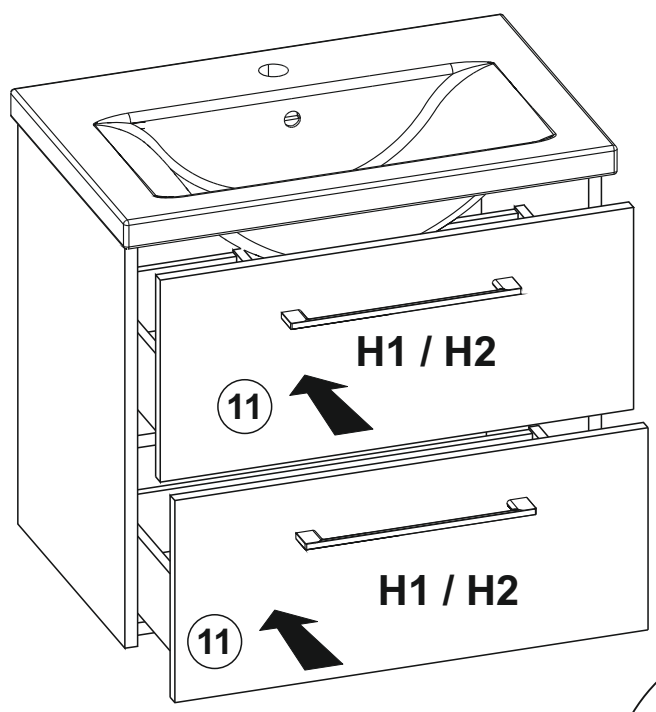
23



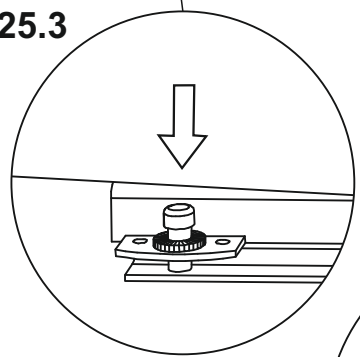
24



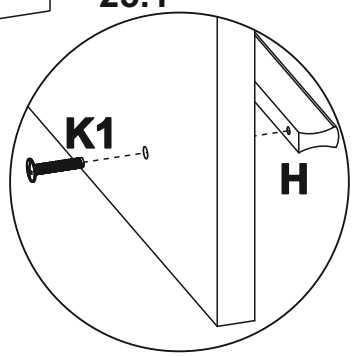
25



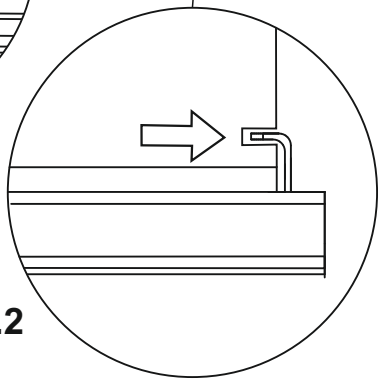
25.3



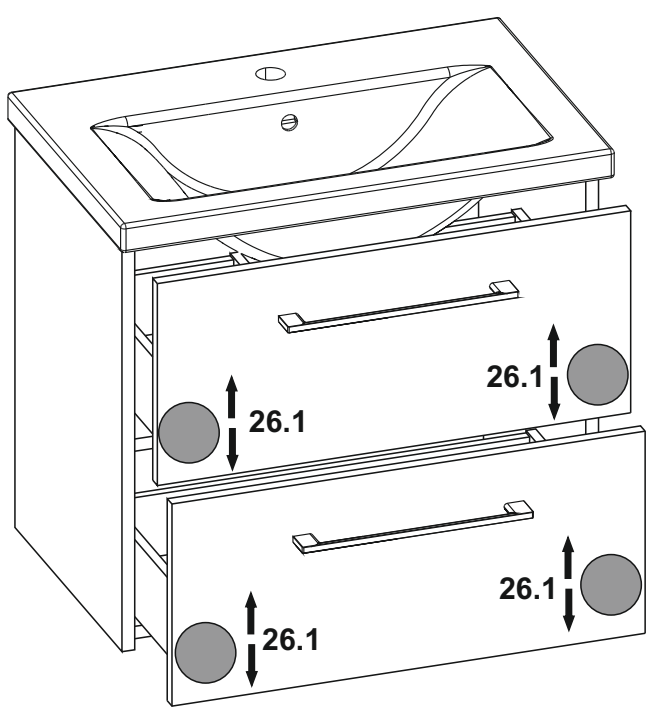
25.1



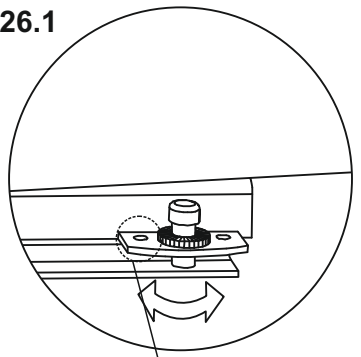
25.2



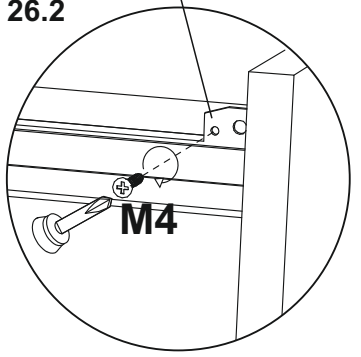
26



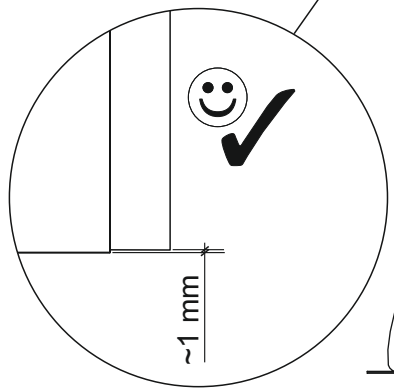
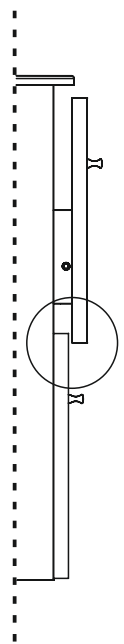
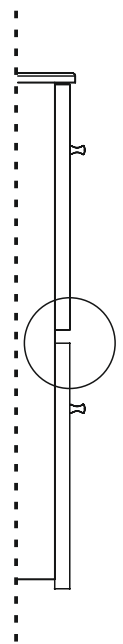
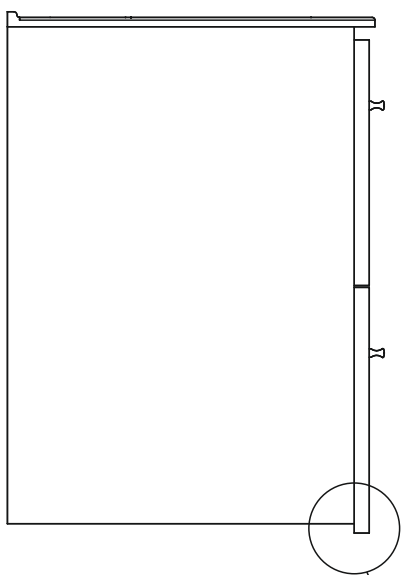
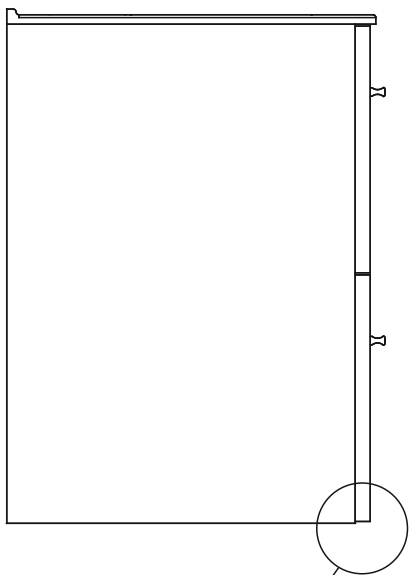
26.1



26.2

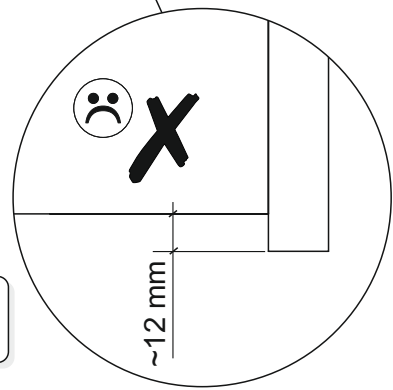


27

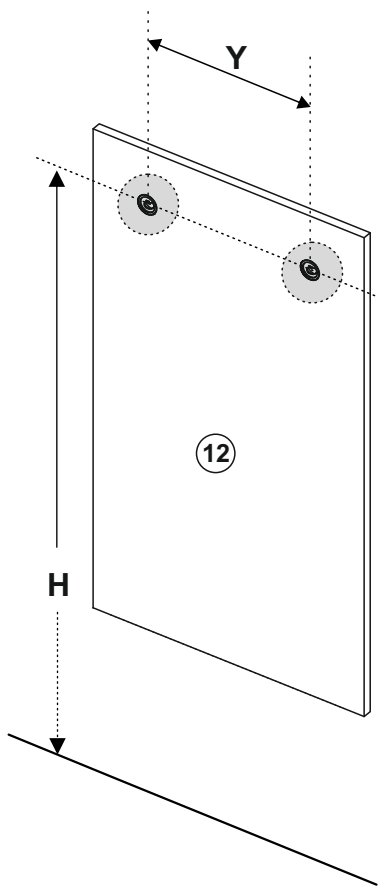


12

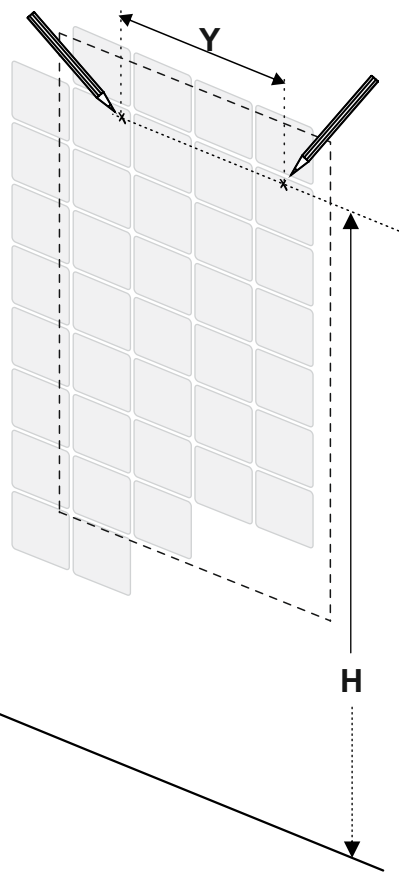
18



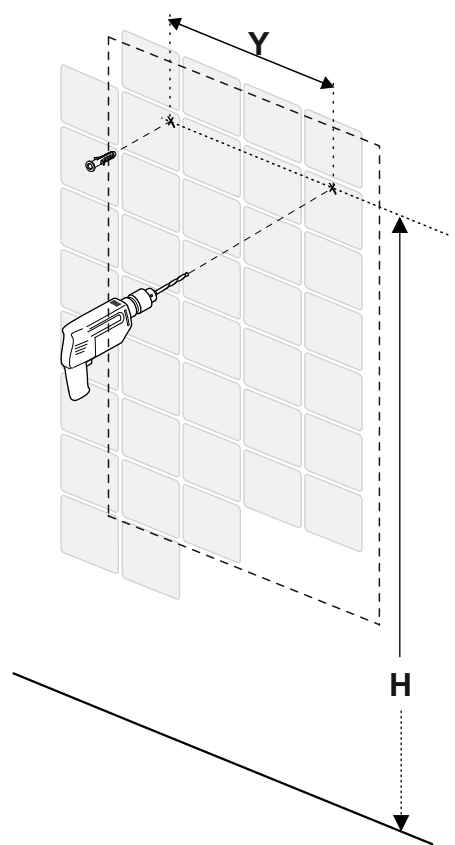
28



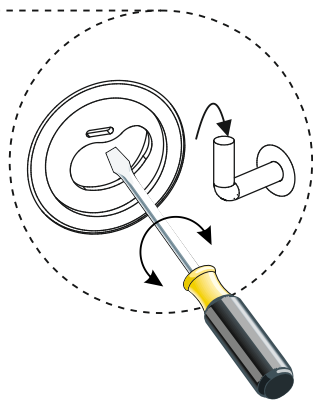
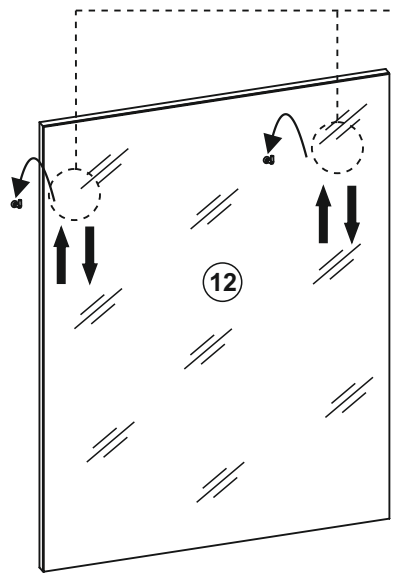
29



30



31



x2

