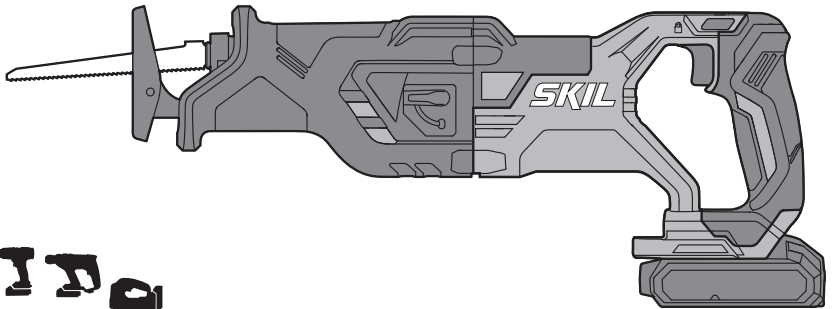


# SKIL®

## BRUSHLESS CORDLESS RECIPROCATING SAW 3480 (SW1\*3480\*\*)



### ENERGYPLATFORM

<b>GB</b>	ORIGINAL INSTRUCTIONS	9	<b>UA</b>	ОРИГІНАЛЬНА ІНСТРУКЦІЯ З ЕКСПЛУАТАЦІЇ	73
<b>F</b>	NOTICE ORIGINALE	12	<b>GR</b>	ΠΡΟΤΟΤΥΠΟ ΟΔΗΓΙΩΝ ΧΡΗΣΗΣ	77
<b>D</b>	ORIGINALBETRIEBSANLEITUNG	16	<b>RO</b>	INSTRUCȚIUNI DE FOLOSIRE ORIGINALE	82
<b>NL</b>	ORIGINELE GEBRUIKSAANWIJZING	21	<b>BG</b>	ОРИГИНАЛНО РЪКОВОДСТВО ЗА ЕКСПЛОАТАЦИЯ	86
<b>S</b>	BRUKSANVISNING I ORIGINAL	25	<b>SK</b>	PŮVODNÝ NÁVOD NA POUŽITIE	91
<b>DK</b>	ORIGINAL BRUGSANVISNING	29	<b>HR</b>	ORIGINALNE UPUTE ZA RAD	95
<b>N</b>	ORIGINAL BRUKSANVISNING	32	<b>SRB</b>	ORIGINALNO UPUTSTVO ZA RAD	98
<b>FIN</b>	ALKUPERÄISET OHJEET	36	<b>SLO</b>	IZVIRNA NAVODILA	102
<b>E</b>	MANUAL ORIGINAL	40	<b>EST</b>	ALGUPÄRANE KASUTUSJUHEND	106
<b>P</b>	MANUAL ORIGINAL	44	<b>LV</b>	ORIĢINĀLĀ LIETOŠANAS PAMĀCĪBA	110
<b>I</b>	ISTRUZIONI ORIGINALI	48	<b>LT</b>	ORIGINALI INSTRUKCIJA	114
<b>H</b>	EREDETI HASZNÁLATI UTASÍTÁS	52	<b>MK</b>	ИЗБОРНО УПАТСТВО ЗА РАБОТА	118
<b>CZ</b>	PŮVODNÍM NÁVODEM K POUŽÍVÁNÍ	56	<b>AL</b>	UDHËZIMET ORIGINALE	122
<b>TR</b>	ORIJİNAL İŞLETME TALİMATI	60	<b>AR</b>	دليل الاستعمال	134
<b>PL</b>	INSTRUKCJA ORYGINALNA	63	<b>FA</b>	راهنمای اصلی	132
<b>RU</b>	ПОДЛИННИК РУКОВОДСТВА ПО ЭКСПЛУАТАЦИИ	68			



# ERC



[www.skil.com](http://www.skil.com)



<b>GB</b>	<b>EU Declaration of conformity</b>		We declare under our sole responsibility that the stated products comply with all applicable provisions of the directives and regulations listed below and are in conformity with the following standards.
	<b>Cordless reciprocating saw</b>	Article number	Technical file at:*
<b>F</b>	<b>Déclaration de conformité UE</b>		Nous déclarons sous notre propre responsabilité que les produits décrits sont en conformité avec les directives, règlements normatifs et normes énumérés ci-dessous.
	<b>Scie sabre sans fil</b>	Numéro d'article	Dossier technique auprès de:*
<b>D</b>	<b>EU-Konformitätserklärung</b>		Wir erklären in alleiniger Verantwortung, dass die genannten Produkte allen einschlägigen Bestimmungen der nachfolgend aufgeführten Richtlinien und Verordnungen entsprechen und mit folgenden Normen übereinstimmen.
	<b>Kabellose Säbelsäge</b>	Sachnummer	Technische Unterlagen bei:*
<b>NL</b>	<b>EU-conformiteitsverklaring</b>		Wij verklaren op eigen verantwoordelijkheid dat de genoemde producten voldoen aan alle desbetreffende bepalingen van de hierna genoemde richtlijnen en verordeningen en overeenstemmen met de volgende normen.
	<b>Oplaadbare reciprozaag</b>	Productnummer	Technisch dossier bij:*
<b>S</b>	<b>EU-konformitetsförklaring</b>		Vi förklarar under eget ansvar att de nämnda produkterna uppfyller kraven i alla gällande bestämmelser i de nedan angivna direktiven och förordningarna och att de stämmer överens med följande normer.
	<b>Sladdlös tigersåg</b>	Produktnummer	Teknisk dokumentation:*
<b>DK</b>	<b>EU-overensstemmelseserklæring</b>		Vi erklærer som eneansvarlige, at det beskrevne produkt er i overensstemmelse med alle gældende bestemmelser i følgende direktiver og forordninger og opfylder følgende standarder.
	<b>Batteridrevet bajonettsav</b>	Typenummer	Tekniske bilag ved:*
<b>N</b>	<b>EU-samsvarserklæring</b>		Vi erklærer under eneansvar at de nevnte produktene er i overensstemmelse med alle relevante bestemmelser i direktivene og forordningene nedenfor og med følgende standarder.
	<b>Oppladbar bajonettsag</b>	Produktnummer	Teknisk dokumentasjon hos:*
<b>FIN</b>	<b>EU-vaatimustenmukaisuusvakuutus</b>		Vakuutamme täten, että maintain tuotteeet vastaavat kaikkia seuraavien direktiivien ja asetusten asiaankuuluvia vaatimuksia ja ovat seuraavien standardien vaatimusten mukaisia.
	<b>Akkupuukkosaha</b>	Tuotenumero	Tekniset asiakirjat saatavana:*
<b>E</b>	<b>Declaración de conformidad UE</b>		Declaramos bajo nuestra exclusiva responsabilidad, que los productos nombrados cumplen con todas las disposiciones correspondientes de las directivas y los reglamentos mencionados a continuación y están en conformidad con las siguientes normas.
	<b>Sierra sable sin cable</b>	Número de artículo	Documentos técnicos de:*
<b>P</b>	<b>Declaração de conformidade CE</b>		Declaramos sob nossa exclusiva responsabilidade que os produtos mencionados cumprem todas as disposições e os regulamentos indicados e estão em conformidade com as seguintes normas.
	<b>Serra de sabre sem fios</b>	Número do produto	Documentação técnica pertencente à:*
<b>I</b>	<b>Dichiarazione di conformità UE</b>		Dichiariamo sotto la nostra piena responsabilità che i prodotti indicati sono conformi a tutte le disposizioni pertinenti delle direttive e dei regolamenti elencati di seguito, nonché alle seguenti normative.
	<b>Sega a gattuccio senza filo</b>	Codice prodotto	Documentazione tecnica presso:*
<b>H</b>	<b>EU konformitási nyilatkozat</b>		Egyedüli felelősséggel kijelentjük, hogy a megnevezett termékek megfelelnek az alábbiakban felsorolásra kerülő irányelvek és rendeletek valamennyi idevágó előírásainak és megfelelnek a következő szabványoknak.
	<b>Akkus ingafűrész</b>	Cikkszám	Műszaki dokumentumok megőrzési pontja:*
<b>CZ</b>	<b>EU prohlášení o shodě</b>		Prohlašujeme na výhradní zodpovědnost, že uvedený výrobek splňuje všechna příslušná ustanovení níže uvedených směrnic a nařízení a je v souladu s následujícími normami.
	<b>Bezdrátová vratná pila</b>	Objednací číslo	Technické podklady u:*
<b>TR</b>	<b>AB Uygunluk beyanı</b>		Tek sorumlu olarak, tanımlanan ürünün aşağıdaki yönetmelik ve direktiflerin geçerli bütün hükümlerine ve aşağıdaki standartlara uygun olduğunu beyan ederiz.
	<b>Kablosuz panter testere</b>	Ürün kodu	Teknik belgelerin bulunduğu yer:*
<b>PL</b>	<b>Deklaracja zgodności UE</b>		Oświadczamy z pełną odpowiedzialnością, że niniejsze produkty odpowiadają wszystkim wymaganiom poniżej wyszczególnionych dyrektyw i rozporządzeń, oraz że są zgodne z następującymi normami.
	<b>Bezprzewodowa pilarka szablasta</b>	Numer katalogowy	Dokumentacja techniczna:*
<b>RU</b>	<b>Заявление о соответствии ЕС</b>		Мы заявляем под нашу единоличную ответственность, что названные продукты соответствуют всем действующим предписаниям нижеуказанных директив и распоряжений, а также нижеуказанных норм.
	<b>Акумуляторная сабельная пила</b>	Товарный номер	Техническая документация хранится у:*
<b>UA</b>	<b>Заява про відповідність ЄС</b>		Мизявляємо під нашу одноособову відповідальність, що названі вироби відповідають усім чинним положенням нищезначених директив і розпоряджень, а також нищезначеним нормам.
	<b>Бездротова шабельна пила</b>	Товарний номер	Технічна документація зберігається у:*

GR	<b>Δήλωση πιστότητας ΕΕ</b> <b>Επαναφορτιζόμενη σπαθοσέγα</b>	Αριθμός ευρετηρίου	Δηλώνουμε με αποκλειστική μας ευθύνη, ότι τα αναφερόμενα προϊόντα αντιστοιχούν σε όλες τις σχετικές διατάξεις των πιο κάτω αναφερόμενων οδηγιών και κανονισμών και ταυτίζονται με τα ακόλουθα πρότυπα. Τεχνικά έγγραφα στη:*										
RO	<b>Declarație de conformitate UE</b> <b>Ferăstrău alternativ cu acumulator</b>	Număr de identificare	Declaram pe proprie răspundere că produsele menționate corespund tuturor dispozițiilor relevante ale directivelor și reglementărilor enumerate în cele ce urmează și sunt în conformitate cu următoarele standarde. Documentație tehnică la:*										
BG	<b>ЕС декларация за съответствие</b> <b>Безкабелен саблен трион</b>	Каталоген номер	С пълна отговорност ние декларираме, че посочените продукти отговарят на всички валидни изисквания на директивите и разпоредбите по-долу и съответства на следните стандарти. Техническа документация при:*										
SK	<b>Pôvodnej EU vyhlásenie o zhode</b> <b>Akumulátorová vratná píla</b>	Vecné číslo	Vyhlasujeme na výhradnú zodpovednosť, že uvedený výrobok spĺňa všetky príslušné ustanovenia nižšie uvedených smerníc a nariadení a je v súlade s nasledujúcimi normami. Technické podklady má spoločnosť:*										
HR	<b>EU izjava o sukladnosti</b> <b>Bežična povratna pila</b>	Kataloški broj	Pod punom odgovornošću izjavljujemo da navedeni proizvodi odgovaraju svim relevantnim odredbama direktiva i propisima navedenima u nastavku i da su sukladni sa sljedećim normama. Tehnička dokumentacija se može dobiti kod:*										
SRB	<b>EU-izjava o usaglašenosti</b> <b>Bežična ubodna testera</b>	Broj predmeta	Na sopstvenu odgovornost izjavljujemo, da navedeni proizvodi odgovaraju svim dotičnim odredbama naknadno navedenih smernica u uredbi i da su u skladu sa sledećim standardima. Tehnička dokumentacija kod:*										
SLO	<b>Izjava o skladnosti ES</b> <b>Brezžična žaga lisičji rep</b>	Številka artikla	Izjavljamo pod izključno odgovornostjo, da je omenjen izdelek v skladu z vsemi relevantnimi določili direktiv in uredb ter ustreza naslednjim standardom. Tehnična dokumentacija pri:*										
EST	<b>EL-vastavusdeklaratsioon</b> <b>Juhtmeta liikumissuunda vahetav saag</b>	Tootenumber	Kinnitame ainuvastutajadena, et nimetatud tooted vastavad järgnevalt loetletud direktiivide ja määruste kõikelele asjaomastele nõuetele ja on kooskõlas järgmiste normidega. Tehnilised dokumendid saadaval:*										
LV	<b>Deklarācija par atbilstību EK standartiem</b> <b>Bezvadu zobenzāģis</b>	Izstrādājuma numurs	Mēs ar pilnu atbildību paziņojam, ka šeit aplūkotie izstrādājumi atbilst visiem tālāk minētajās direktīvās un rīkojumos ietvertajām saistošajām nostādņēm, kā arī sekojošiem standartiem. Tehniskā dokumentācija no:*										
LT	<b>ES atitikties deklaracija</b> <b>Belaidis slankiojantis pjūklas</b>	Gaminio numeris	Atsakingai pareiškiamė, kad išvardyti gaminiai atitinka visus privalomus žemiau nurodytų direktyvų ir reglamentų reikalavimus ir šiuos standartus. Techninė dokumentacija saugoma:*										
MK	<b>EU-Изјава за сообразност</b> <b>Безжична убодна пила</b>	Број на артикл	Со целосна одговорност изјавуваме, дека опишаните производи се во согласност со сите релевантни одредби на следните регулативи и прописи и се во согласност со следните норми. Техничка документација кај:*										
AL	<b>EU Deklarata e konformitetit</b> <b>Sharrë me tërheqje pa kabëll</b>	Numri i nenit	Ne deklarojmë me përgjegjësinë tonë të vetme se produktet e paraqitura janë në përputhje me të gjitha dispozitat e zbatueshme të direktivave dhe rregulloreve të listuara më poshtë dhe janë në përputhje me standardet si më poshtë. Dosja teknike në:*										
<b>3480</b> SW1*3480**			<table border="0"> <tr> <td>2006/42/EC</td> <td>EN 62841-1:2015</td> </tr> <tr> <td>2014/30/EU</td> <td>EN 62841-2-11:2016</td> </tr> <tr> <td>2011/65/EU</td> <td>EN 55014-1:2017</td> </tr> <tr> <td></td> <td>EN 55014-2:2015</td> </tr> <tr> <td></td> <td>EN 50581:2012</td> </tr> </table>  * Skil BV Konijnenberg 62 4825 BD Breda The Netherlands  Olaf Dijkgraaf Approval Manager   Skil BV, Konijnenberg 62, 4825 BD Breda, NL 02.12.2019	2006/42/EC	EN 62841-1:2015	2014/30/EU	EN 62841-2-11:2016	2011/65/EU	EN 55014-1:2017		EN 55014-2:2015		EN 50581:2012
2006/42/EC	EN 62841-1:2015												
2014/30/EU	EN 62841-2-11:2016												
2011/65/EU	EN 55014-1:2017												
	EN 55014-2:2015												
	EN 50581:2012												

1


# 3480

20V Max  
**18 Volt**

2,0 Ah  
2,5 Ah  
  
3,3 kg

4,0 Ah  
5,0 Ah  
  
3,6 kg


  
 $n_0$   
0-3000 /min

  
29 mm

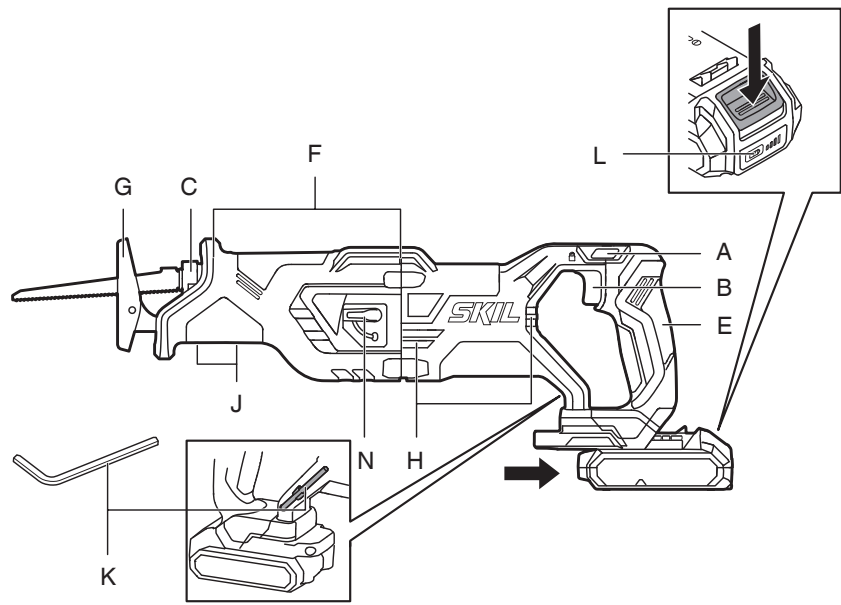
  
265 mm

Alu  
  
40 mm

Fe  
  
30 mm

Fe  
  
130 mm

2



3



4

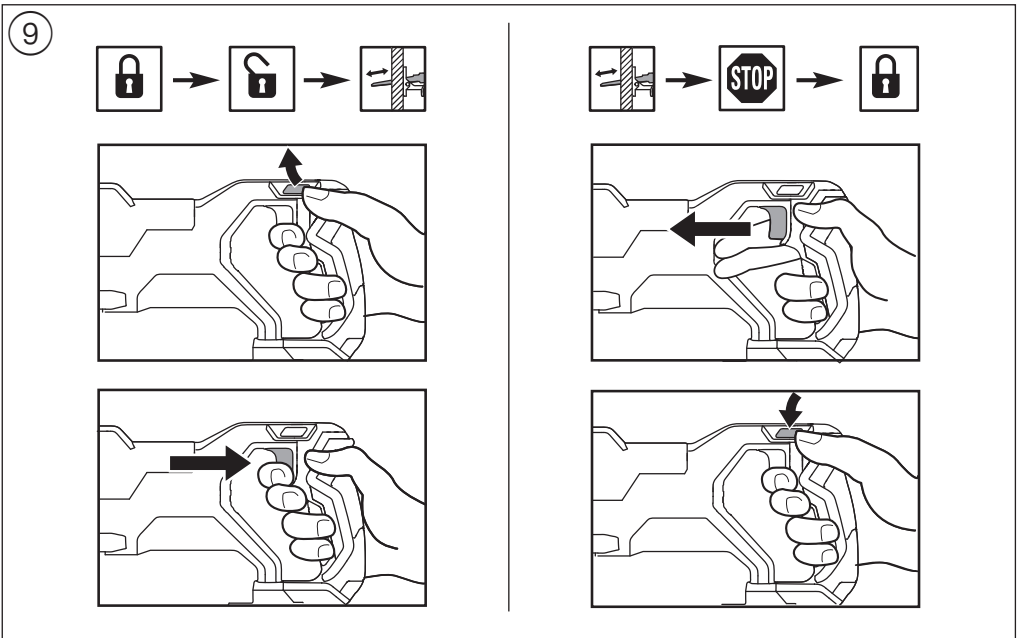
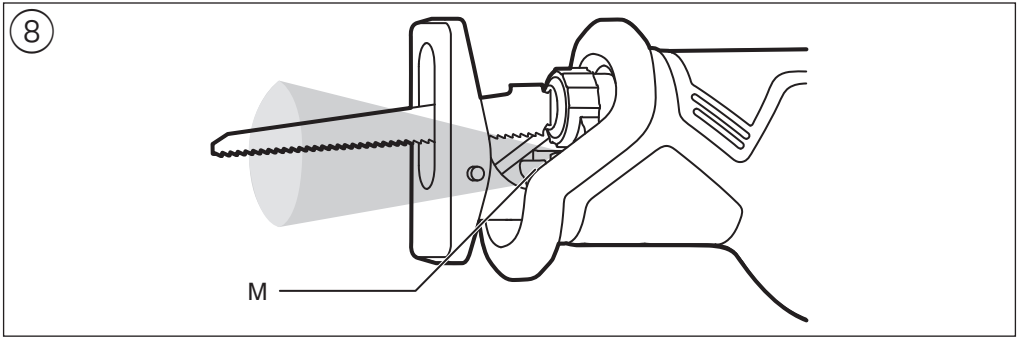
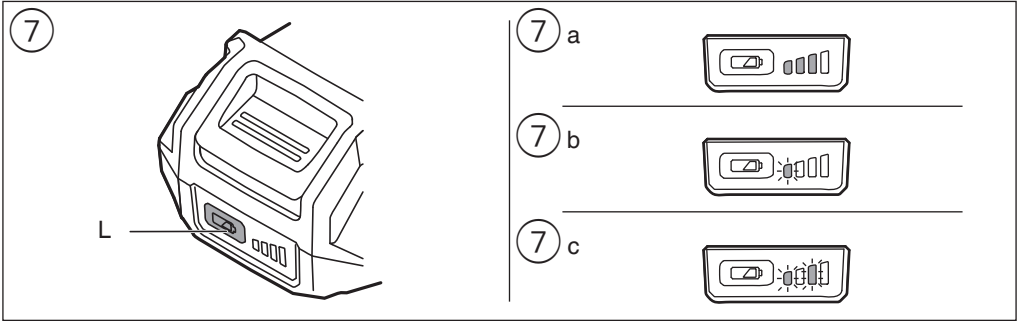


5

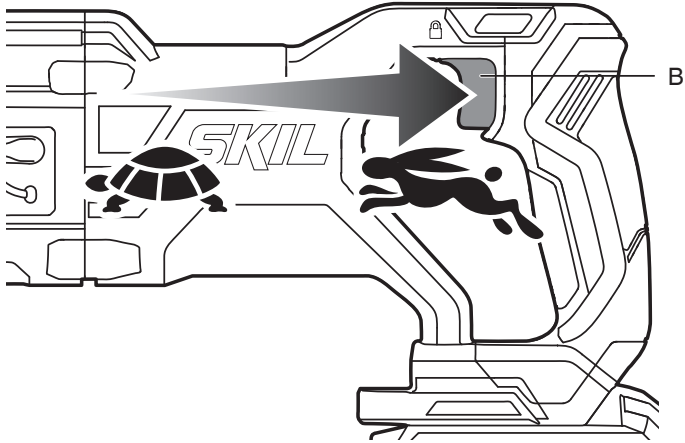
  
max. 50 °C

6

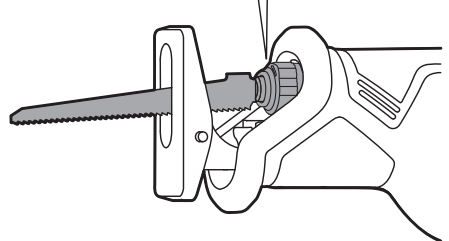
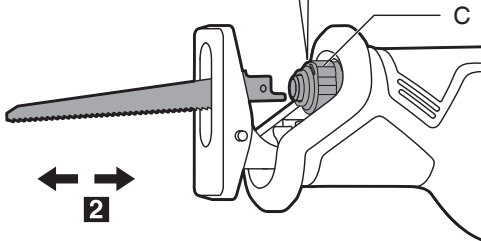
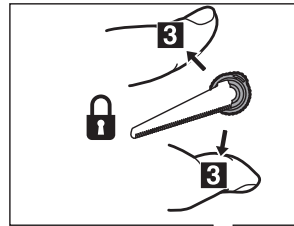
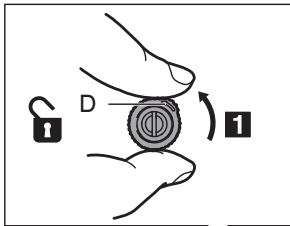
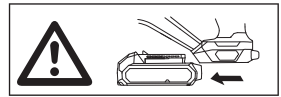


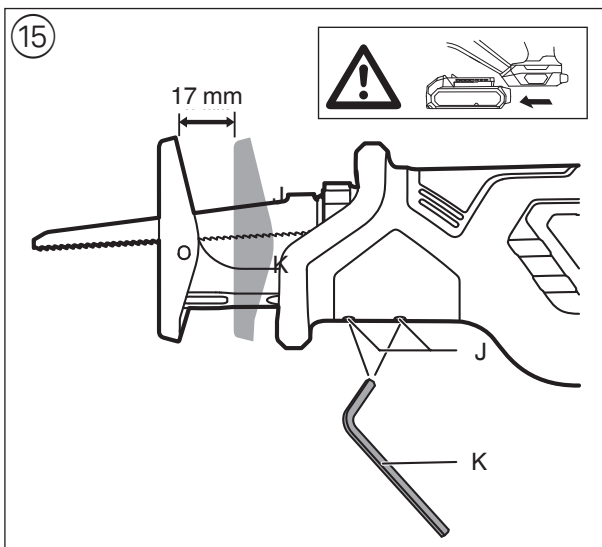
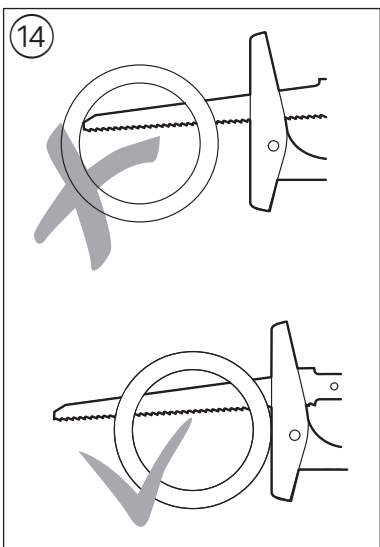
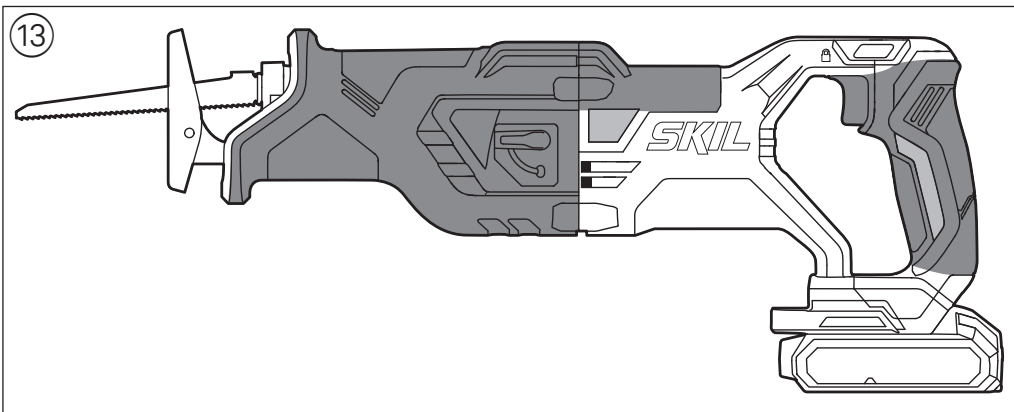
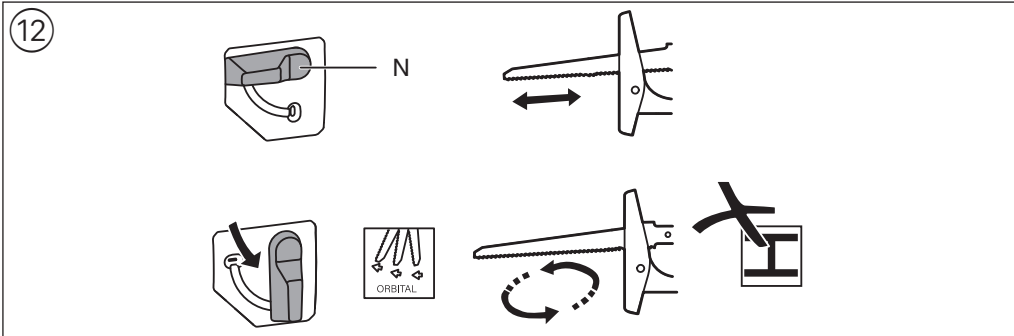


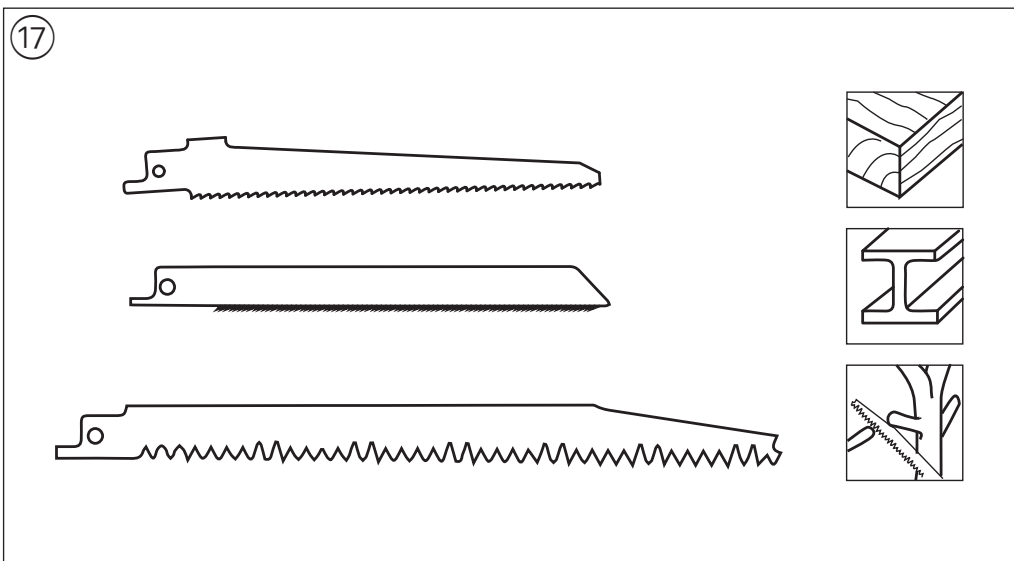
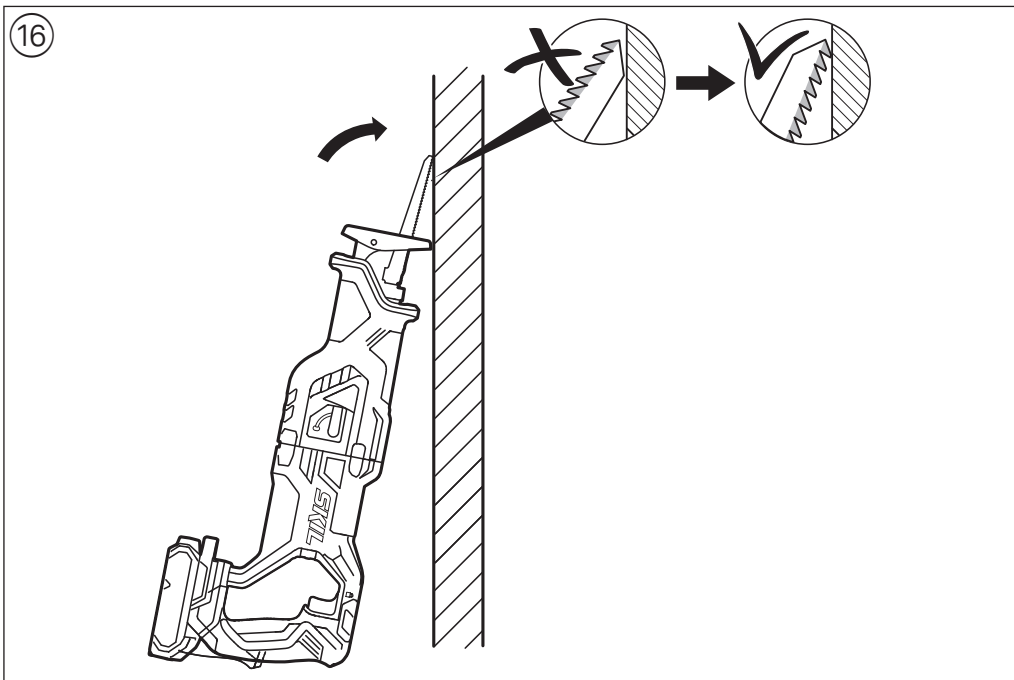
10



11







**ACCESSORIES** → **WWW.SKIL.COM**



## Brushless cordless reciprocating saw

3480

### INTRODUCTION

- This tool is intended for cutting of wood, plastic, metal and building materials as well as for pruning and tree trimming; it is suitable for straight and curved cuts
- This tool is not intended for professional use
- Read and save this instruction manual ③

### TECHNICAL DATA ①

### TOOL ELEMENTS ②

- A Locking knob
- B Switch for on/off and speed control
- C Blade clamp
- D Arrow
- E Handle
- F Barrel grip
- G Adjustable footplate
- H Ventilation slots
- J Fastening bolts
- K Hex key
- L Battery level indicator
- M LED-light
- N Switch for orbital action

### SAFETY

#### GENERAL POWER TOOL SAFETY WARNINGS

**⚠ WARNING** Read all safety warnings, instructions, illustrations and specifications provided with this power tool. Failure to follow all instructions listed below may result in electric shock, fire and/or serious injury.

Save all warnings and instructions for future reference.

The term "power tool" in the warnings refers to your mains-operated (corded) power tool or battery-operated (cordless) power tool.

#### 1) WORK AREA SAFETY

- a) **Keep work area clean and well lit.** Cluttered or dark areas invite accidents.
- b) **Do not operate power tools in explosive atmospheres, such as in the presence of flammable liquids, gases or dust.** Power tools create sparks which may ignite the dust or fumes.
- c) **Keep children and bystanders away while operating a power tool.** Distractions can cause you to lose control.

#### 2) ELECTRICAL SAFETY

- a) **Power tool plugs must match the outlet. Never modify the plug in any way. Do not use any adapter plugs with earthed (grounded) power tools.** Unmodified plugs and matching outlets will reduce risk of electric shock.
- b) **Avoid body contact with earthed or grounded surfaces such as pipes, radiators, ranges and**

**refrigerators.** There is an increased risk of electric shock if your body is earthed or grounded.

- c) **Do not expose power tools to rain or wet conditions.** Water entering a power tool will increase the risk of electric shock.
  - d) **Do not abuse the cord. Never use the cord for carrying, pulling or unplugging the power tool. Keep cord away from heat, oil, sharp edges or moving parts.** Damaged or entangled cords increase the risk of electric shock.
  - e) **When operating a power tool outdoors, use an extension cord suitable for outdoor use.** Use of a cord suitable for outdoor use reduces the risk of electric shock.
  - f) **If operating a power tool in a damp location is unavoidable, use a residual current device (RCD) protected supply.** Use of an RCD reduces the risk of electric shock.
- ### 3) PERSONAL SAFETY
- a) **Stay alert, watch what you are doing and use common sense when operating a power tool. Do not use a power tool while you are tired or under the influence of drugs, alcohol or medication.** A moment of inattention while operating power tools may result in serious personal injury.
  - b) **Use personal protective equipment. Always wear eye protection.** Protective equipment such as a dust mask, non-skid safety shoes, hard hat, or hearing protection used for appropriate conditions will reduce personal injuries.
  - c) **Prevent unintentional starting. Ensure the switch is in the off-position before connecting to power source and/or battery pack, picking up or carrying the tool.** Carrying power tools with your finger on the switch or energising power tools that have the switch on invites accidents.
  - d) **Remove any adjusting key or wrench before turning the power tool on.** A wrench or a key left attached to a rotating part of the power tool may result in personal injury.
  - e) **Do not overreach. Keep proper footing and balance at all times.** This enables better control of the power tool in unexpected situations.
  - f) **Dress properly. Do not wear loose clothing or jewellery. Keep your hair and clothing away from moving parts.** Loose clothes, jewellery or long hair can be caught in moving parts.
  - g) **If devices are provided for the connection of dust extraction and collection facilities, ensure these are connected and properly used.** Use of dust collection can reduce dust-related hazards.
  - h) **Do not let familiarity gained from frequent use of tools allow you to become complacent and ignore tool safety principles.** A careless action can cause severe injury within a fraction of a second.
- ### 4) POWER TOOL USE AND CARE
- a) **Do not force the power tool. Use the correct power tool for your application.** The correct power tool will do the job better and safer at the rate for which it was designed.
  - b) **Do not use the power tool if the switch does not turn it on and off.** Any power tool that cannot be controlled with the switch is dangerous and must be repaired.

- c) **Disconnect the plug from the power source and/ or remove the battery pack, if detachable, from the power tool before making any adjustments, changing accessories, or storing power tools.** Such preventive safety measures reduce the risk of starting the power tool accidentally.
  - d) **Store idle power tools out of the reach of children and do not allow persons unfamiliar with the power tool or these instructions to operate the power tool.** Power tools are dangerous in the hands of untrained users.
  - e) **Maintain power tools and accessories. Check for misalignment or binding of moving parts, breakage of parts and any other condition that may affect the power tool's operation. If damaged, have the power tool repaired before use.** Many accidents are caused by poorly maintained power tools.
  - f) **Keep cutting tools sharp and clean.** Properly maintained cutting tools with sharp cutting edges are less likely to bind and are easier to control.
  - g) **Use the power tool, accessories and tool bits etc., in accordance with these instructions, taking into account the working conditions and the work to be performed.** Use of the power tool for operations different from those intended could result in a hazardous situation.
  - h) **Keep handles and grasping surfaces dry, clean and free from oil and grease.** Slippery handles and grasping surfaces do not allow for safe handling and control of the tool in unexpected situations.
- 5) BATTERY TOOL USE AND CARE**
- a) **Recharge only with the charger specified by the manufacturer.** A charger that is suitable for one type of battery pack may create a risk of fire when used with another battery pack.
  - b) **Use power tools only with specifically designated battery packs.** Use of any other battery packs may create a risk of injury and fire.
  - c) **When battery pack is not in use, keep it away from other metal objects like paper clips, coins, keys, nails, screws, or other small metal objects that can make a connection from one terminal to another.** Shorting the battery terminals together may cause burns or a fire.
  - d) **Under abusive conditions, liquid may be ejected from the battery; avoid contact. If contact accidentally occurs, flush with water. If liquid contacts eyes, additionally seek medical help.** Liquid ejected from the battery may cause irritation or burns.
  - e) **Do not use a battery pack or tool that is damaged or modified.** Damaged or modified batteries may exhibit unpredictable behaviour resulting in fire, explosion or risk of injury.
  - f) **Do not expose a battery pack or tool to fire or excessive temperature.** Exposure to fire or temperature above 130°C may cause explosion.
  - g) **Follow all charging instructions and do not charge the battery pack or tool outside the temperature range specified in the instructions.** Charging improperly or at temperatures outside the specified range may damage the battery and increase the risk of fire.
- 6) SERVICE**
- a) **Have your power tool serviced by a qualified repair person using only identical replacement parts.** This will ensure that the safety of the power tool is maintained.

- b) **Never service damaged battery packs.** Service of battery packs should only be performed by the manufacturer or authorized service providers.

## **SAFETY INSTRUCTIONS FOR CORDLESS RECIPROCATING SAWS**

- **Hold the power tool by insulated gripping surfaces, when performing an operation where the cutting accessory may contact hidden wiring** (cutting accessory contacting a "live" wire may make exposed metal parts of the power tool "live" and could give the operator an electric shock)
- **Use clamps or another practical way to secure and support the workpiece to a stable platform** (holding the workpiece by hand or against your body leaves it unstable and may lead to loss of control)

### **ACCESSORIES**

- SKIL can assure flawless functioning of the tool only when original accessories are used
- Use only accessories with an allowable speed matching at least the highest no-load speed of the tool

### **BEFORE USE**

- Avoid damage that can be caused by screws, nails and other elements in your workpiece; remove them before you start working
- **Use suitable detectors to find hidden utility lines or call the local utility company for assistance** (contact with electric lines can lead to fire or electrical shock; damaging a gas line can result in an explosion; penetrating a water pipe will cause property damage or an electrical shock)

### **PERSONAL SAFETY**

- This tool should not be used by people under the age of 16 years
- **Do not work materials containing asbestos** (asbestos is considered carcinogenic)
- Dust from material such as paint containing lead, some wood species, minerals and metal may be harmful (contact with or inhalation of the dust may cause allergic reactions and/or respiratory diseases to the operator or bystanders); **wear a dust mask and work with a dust extraction device when connectable**
- Certain kinds of dust are classified as carcinogenic (such as oak and beech dust) especially in conjunction with additives for wood conditioning; **wear a dust mask and work with a dust extraction device when connectable**
- Follow the dust-related national requirements for the materials you want to work with
- **Keep hands away from cutting area and the blade; keep your second hand on barrel grip F ②** (if both hands are holding the saw, they can not be cut by the blade)
- **Do not reach underneath the workpiece** (the proximity of the blade to your hand is hidden from your sight)
- **Never hold piece being cut in your hands or across your leg** (it is important to support the work properly to minimise body exposure, blade binding, or loss of control)
- **Do not use a dull or damaged blade** (bent blades can break easily or cause kickback)
- **Use protective gloves when removing the blade from the tool** (the saw blade may be hot after prolonged use)
- Wear protective glasses and hearing protection

## BATTERIES

- **The battery supplied is partially charged** (to ensure full capacity of the battery, completely charge the battery in the battery charger before using your power tool for the first time)
- **Only use the following batteries and chargers with this tool**
  - SKIL battery: BR1\*31\*\*\*\*
  - SKIL charger: CR1\*31\*\*\*\*
- Do not use the battery when damaged; it should be replaced
- Do not disassemble the battery
- Do not expose tool/battery to rain
- Permitted ambient temperature (tool/charger/battery):
  - when charging 4...40°C
  - during operation -20...+50°C
  - during storage -20...+50°C

## EXPLANATION OF SYMBOLS ON TOOL/BATTERY

- ③ Read the instruction manual before use
- ④ Batteries may explode when disposed of in fire, so do not burn battery for any reason
- ⑤ Store tool/charger/battery in locations where temperature will not exceed 50°C
- ⑥ Do not dispose of electric tools and batteries together with household waste material

## USE

- Charging battery
  - ! **read the safety warnings and instructions provided with the charger**
- Removing/installing the battery ②
- Battery level indicator ⑦
  - press the battery level indicator button L to show the current battery level ⑦a
  - ! **when the lowest level of the battery indicator starts flashing after pressing button L ⑦b, the battery is empty**
  - ! **when 2 levels of the battery indicator start flashing after pressing button L ⑦c, the battery is not within the allowable operating temperature range**
- LED light ⑧
  - LED-light automatically lights on when activating the on/off switch
  - ! **when LED-light starts flashing, the battery protection is activated (see below)**
- Battery protection
  - The tool is suddenly being switched off or prevented from being switched on, when
    - **the load is too high** --> remove load and restart
    - **the battery temperature is not within the allowable operating temperature range of -20 to +50°C** --> 2 levels of the battery level indicator start flashing when pressing button L ⑦c; wait until battery has returned within the allowable operating temperature range
    - **the battery is nearly empty (to protect against deep discharge)** --> a low battery level or flashing low battery level ⑦b is shown by the battery level indicator when pressing button L; charge battery
  - ! **do not continue to press the on/off switch after the tool is switched off automatically; battery may be damaged**
- Combined switch for on/off and speed control with locking knob ⑨ ⑩
  - first unlock by pressing knob A

- switch on the tool by pulling trigger B
- control the speed steplessly from zero to maximum by putting less or more pressure on the trigger
- switch off by releasing trigger B
- Locking knob A can be activated ⑨
  - if activated, the on/off switch is blocked and the machine is secured against being switched on unintentionally
- Mounting saw blade ⑪
  - ! **remove battery from tool before making any adjustments or changing accessories**
  - turn blade clamp C in same direction as arrow D on tool and hold it in that position
  - insert blade (with teeth facing down or up) to full depth
  - release blade clamp C
  - push in and pull out blade to check whether it is locked correctly
- Removing saw blade ⑪
  - ! **remove battery from tool before making any adjustments or changing accessories**
  - turn blade clamp C in same direction as arrow D on tool and hold it in that position
  - pull out blade
  - release blade clamp C
- Orbital action for fast cutting ⑫
  - for activating the orbital action of the saw blade use switch N as illustrated
  - ! **do not activate the orbital action when cutting metal**
- Operating the tool
  - ! **securely clamp the workpiece**
  - mark the cutting line on the workpiece
  - mount battery on tool
  - hold the tool with one hand on handle E and the other on the insulated barrel grip F
  - switch on the tool
  - guide the tool along the marked cutting line
  - keep footplate G firmly against the workpiece to minimize counter-force and vibration
- Holding and guiding the tool
  - ! **while working, always hold the tool at the grey-coloured grip area(s) ⑬**
  - keep ventilation slots H uncovered
  - do not apply too much pressure on the tool; let the tool do the work for you
  - ! **ensure that the saw blade extends beyond the work throughout the stroke ⑭**
- Adjusting effective sawing depth ⑮
  - ! **remove battery from tool before making any adjustments or changing accessories**
  - use hex key K for loosening and fastening both fastening bolts J
  - slide footplate G forward/backwards in order to enlarge/reduce the effective sawing depth

## APPLICATION ADVICE

- Plunge cutting ⑯
  - Plunge cuts can be made in wood and other soft materials without pre-drilling a hole
  - use a thick saw blade
  - ! **remove battery from tool before making any adjustments or changing accessories**
  - mount the blade with the teeth facing upward
  - mark desired cutting line on the workpiece

- tilt the tool so that the blade does not touch the workpiece
- switch on the tool and carefully engage the moving saw blade into the workpiece
- after the blade has penetrated through the workpiece continue sawing along the marked cutting line
- ! **do not make plunge cuts in metal materials**
- Use the appropriate saw blades ⑰
- When cutting metals, lubricate saw blade regularly with oil
- Splinter-free cutting
  - cover cutting-line with several layers of wide tape before cutting
  - always face the good side of the workpiece down
- For more information see [www.skil.com](http://www.skil.com)

## MAINTENANCE / SERVICE

- This tool is not intended for professional use
- Always keep tool clean (especially ventilation slots H ②)
- ! **remove battery from tool before cleaning**
- If the tool should fail despite the care taken in manufacturing and testing procedures, repair should be carried out by an after-sales service centre for SKIL power tools
  - send the tool **undismantled** together with proof of purchase to your dealer or the nearest SKIL service station (addresses as well as the service diagram of the tool are listed on [www.skil.com](http://www.skil.com))
- Be aware that damage due to overload or improper handling of the tool will be excluded from the warranty (for the SKIL warranty conditions see [www.skil.com](http://www.skil.com) or ask your dealer)

## ENVIRONMENT

- **Do not dispose of electric tools, batteries, accessories and packaging together with household waste material** (only for EU countries)
  - in observance of European Directive 2012/19/EC on waste of electric and electronic equipment and its implementation in accordance with national law, electric tools that have reached the end of their life must be collected separately and returned to an environmentally compatible recycling facility
  - symbol ⑥ will remind you of this when the need for disposing occurs
- ! **prior to disposal protect battery terminals with heavy tape to prevent short-circuit**

## NOISE / VIBRATION

- Measured in accordance with EN 62841 the sound pressure level of this tool is 85.0 dB(A) and the sound power level 96.0 dB(A) (uncertainty K = 5 dB), and the vibration \* (triax vector sum; uncertainty K = 1.5 m/s<sup>2</sup>)
  - \* cutting board 9.9 m/s<sup>2</sup>
  - \* cutting wooden beams 9.5 m/s<sup>2</sup>
- The vibration emission level has been measured in accordance with a standardised test given in EN 62841; it may be used to compare one tool with another and as a preliminary assessment of exposure to vibration when using the tool for the applications mentioned
  - using the tool for different applications, or with different or poorly maintained accessories, may significantly **increase** the exposure level

- the times when the tool is switched off or when it is running but not actually doing the job, may significantly **reduce** the exposure level
- ! **protect yourself against the effects of vibration by maintaining the tool and its accessories, keeping your hands warm, and organizing your work patterns**

F

## Scie sabre sans fil et sans brosse

3480

### INTRODUCTION

- Cet outil est conçu pour la découpe du bois, du plastique, du métal et des matériaux de construction, ainsi que pour l'élagage et l'ébranchage ; il convient pour les coupes droites et curvilignes
- Cet outil n'est pas conçu pour un usage professionnel
- Lisez et conservez ce manuel d'instruction ③

### CARACTERISTIQUES TECHNIQUES ①

#### ELEMENTS DE L'OUTIL ②

- A Bouton de verrouillage
- B Interrupteur de marche/arrêt et réglage de vitesse
- C Serrage de lame
- D Flèche
- E Poignée
- F Poignée cylindrique
- G Affût réglable
- H Fentes de ventilation
- J Boulons de fixation
- K Clé hexagonale
- L Indicateur de niveau de charge de la batterie
- M Voyant DEL
- N Interrupteur à action orbiculaire

### SECURITE

#### AVERTISSEMENTS DE SECURITE GENERAUX POUR L'OUTIL ELECTRIQUE

**⚠ AVERTISSEMENT Lisez tous les avertissements de sécurité, toutes les instructions, illustrations et caractéristiques fournies avec cet outil électrique.**

Le non-respect du suivi de toutes les instructions reprises ci-dessous peut provoquer un électrochoc, un incendie et/ou des blessures graves.

#### Conservez tous les avertissements et toutes les instructions pour pouvoir s'y reporter ultérieurement.

Le terme "outil électrique" dans les avertissements se rapporte à des outils électriques raccordés au secteur (avec câble de raccordement) et à des outils électriques à batterie (sans câble de raccordement).

#### 1) SECURITE DE LA ZONE DE TRAVAIL

- a) **Maintenez l'endroit de travail propre et bien éclairé.**  
Un lieu de travail en désordre ou mal éclairé augmente le risque d'accidents.

- b) **N'utilisez pas l'outil électrique dans un environnement présentant des risques d'explosion et où se trouvent des liquides, des gaz ou poussières inflammables.** Les outils électriques génèrent des étincelles risquant d'enflammer les poussières ou les vapeurs.
- c) **Tenez les enfants et autres personnes éloignés durant l'utilisation de l'outil électrique.** En cas d'inattention vous risquez de perdre le contrôle sur l'outil électrique.
- 2) SECURITE RELATIVE AU SYSTEME ELECTRIQUE**
- a) **La fiche de secteur de l'outil électrique doit être appropriée à la prise de courant. Ne modifiez en aucun cas la fiche. N'utilisez pas de fiches d'adaptateur avec des outils électriques avec mise à la terre.** Les fiches non modifiées et les prises de courant appropriées réduisent le risque de choc électrique.
- b) **Evitez le contact physique avec des surfaces mises à la terre telles que tuyaux, radiateurs, fours et réfrigérateurs.** Il y a un risque élevé de choc électrique au cas où votre corps serait relié à la terre.
- c) **N'exposez pas l'outil électrique à la pluie ou à l'humidité.** La pénétration d'eau dans un outil électrique augmente le risque d'un choc électrique.
- d) **N'utilisez pas le câble à d'autres fins que celles prévues, n'utilisez pas le câble pour porter l'outil électrique ou pour l'accrocher ou encore pour le débrancher de la prise de courant. Maintenez le câble éloigné des sources de chaleur, des parties grasses, des bords tranchants ou des parties de l'outil électrique en rotation.** Un câble endommagé ou torsadé augmente le risque d'un choc électrique.
- e) **Au cas où vous utiliseriez l'outil électrique à l'extérieur, utilisez une rallonge autorisée homologuée pour les applications extérieures.** L'utilisation d'une rallonge électrique homologuée pour les applications extérieures réduit le risque d'un choc électrique.
- f) **Si l'usage d'un outil dans un emplacement humide est inévitable, utilisez un disjoncteur de fuite à la terre.** L'utilisation d'un disjoncteur de fuite à la terre réduit le risque de choc électrique.
- 3) SECURITE DES PERSONNES**
- a) **Restez vigilant, surveillez ce que vous faites. Faites preuve de bon sens en utilisant l'outil électrique. N'utilisez pas l'outil électrique lorsque vous êtes fatigué ou après avoir consommé de l'alcool, des drogues ou avoir pris des médicaments.** Un moment d'inattention lors de l'utilisation de l'outil électrique peut entraîner de graves blessures sur les personnes.
- b) **Portez des équipements de protection. Portez toujours des lunettes de protection.** Le fait de porter des équipements de protection personnels tels que masque anti-poussières, chaussures de sécurité antidérapantes, casque de protection ou protection acoustique suivant le travail à effectuer, réduit le risque de blessures.
- c) **Evitez tout démarrage intempestif. S'assurez que l'interrupteur est en position arrêté avant de brancher l'outil au secteur et/ou au bloc de batteries, de le ramasser ou de le porter.** Porter les outils en ayant le doigt sur l'interrupteur ou brancher des outils dont l'interrupteur est en position marche est source d'accidents.
- d) **Enlevez tout outil de réglage ou toute clé avant de mettre l'outil électrique en fonctionnement.** Une clé ou un outil se trouvant sur une partie en rotation peut causer des blessures.
- e) **Ne surestimez pas vos capacités. Veillez à garder toujours une position stable et équilibrée.** Ceci vous permet de mieux contrôler l'outil électrique dans des situations inattendues.
- f) **Portez des vêtements appropriés. Ne portez pas de vêtements amples ni de bijoux. Gardez les cheveux et les vêtements à distance des parties en mouvement.** Des vêtements amples, des bijoux ou des cheveux longs peuvent être happés par des pièces en mouvement.
- g) **Si des dispositifs servant à aspirer ou à recueillir les poussières doivent être utilisés, vérifiez que ceux-ci soient effectivement raccordés et qu'ils sont correctement utilisés.** L'utilisation des collecteurs de poussière réduit les dangers dus aux poussières.
- h) **Restez vigilant et ne pas négligez les principes de sécurité de l'outil sous prétexte que vous avez l'habitude de l'utiliser.** Une fraction de seconde d'inattention peut provoquer une blessure grave.
- 4) UTILISATION ET EMPLOI SOIGNEUX DE L'OUTIL ELECTRIQUE**
- a) **Ne surchargez pas l'outil électrique. Utilisez l'outil électrique approprié au travail à effectuer.** Avec l'outil électrique approprié, vous travaillerez mieux et avec plus de sécurité à la vitesse pour laquelle il est prévu.
- b) **N'utilisez pas un outil électrique dont l'interrupteur est défectueux.** Un outil électrique qui ne peut plus être mis en ou hors fonctionnement est dangereux et doit être réparé.
- c) **Débranchez la fiche de la source d'alimentation et/ou enlevez le bloc de batteries, s'il est amovible, avant tout réglage, changement d'accessoires ou avant de ranger l'outil électrique.** De telles mesures de sécurité préventives réduisent le risque de démarrage accidentel de l'outil électrique.
- d) **Gardez les outils électriques non utilisés hors de portée des enfants. Ne permettez pas l'utilisation de l'outil électrique à des personnes qui ne se sont pas familiarisées avec celui-ci ou qui n'ont pas lu ces instructions.** Les outils électriques sont dangereux lorsqu'ils sont utilisés par des personnes non initiées.
- e) **Observez la maintenance des outils électriques et des accessoires. Vérifiez que les parties en mouvement fonctionnent correctement et qu'elles ne soient pas coincées, et contrôlez si des parties sont cassées ou endommagées de telle sorte que le bon fonctionnement de l'outil électrique s'en trouve entravé. Faites réparer les parties endommagées avant d'utiliser l'outil électrique.** De nombreux accidents sont dus à des outils électriques mal entretenus.
- f) **Maintenez les outils de coupe aiguisés et propres.** Des outils soigneusement entretenus avec des bords tranchants bien aiguisés se coincent moins souvent et peuvent être guidés plus facilement.
- g) **Utilisez l'outil électrique, les accessoires, les outils à monter etc. conformément à ces instructions.**

**Tenez compte également des conditions de travail et du travail à effectuer.** L'utilisation de l'outil électrique à d'autres fins que celles prévues peut entraîner des situations dangereuses.

- h) **Il faut que les poignées et les surfaces de préhension restent sèches, propres et dépourvues d'huiles et de graisses.** Des poignées et des surfaces de préhension glissantes rendent impossibles la manipulation et le contrôle en toute sécurité de l'outil dans les situations inattendues.
- 5) **UTILISATION ET EMPLOI SOIGNEUX DES APPAREILS SANS FIL**
- a) **Ne chargez les accumulateurs que dans des chargeurs recommandés par le fabricant.** Un chargeur approprié à un type spécifique d'accumulateur peut engendrer un risque d'incendie lorsqu'il est utilisé avec d'autres accumulateurs.
- b) **Dans les outils électriques, n'utilisez que les accumulateurs spécialement prévus pour celui-ci.** L'utilisation de tout autre accumulateur peut entraîner des blessures et des risques d'incendie.
- c) **Tenez l'accumulateur non-utilisé à l'écart de toutes sortes d'objets métalliques tels qu'agrafes, pièces de monnaie, clés, clous, vis ou autres, étant donné qu'un pontage peut provoquer un court-circuit.** Un court-circuit entre les contacts d'accu peut provoquer des brûlures ou un incendie.
- d) **En cas d'utilisation abusive, du liquide peut sortir de l'accumulateur. Evitez tout contact avec ce liquide. En cas de contact par mégarde, rincez soigneusement avec de l'eau. Au cas où le liquide rentrerait dans les yeux, consultez en plus un médecin.** Le liquide qui sort de l'accumulateur peut entraîner des irritations de la peau ou causer des brûlures.
- e) **Ne pas utiliser un bloc de batteries ou un outil fonctionnant sur batteries qui a été endommagé ou modifié.** Les batteries endommagées ou modifiées peuvent avoir un comportement imprévisible provoquant un feu, une explosion ou un risque de blessure.
- f) **Ne pas exposer un bloc de batteries ou un outil fonctionnant sur batteries au feu ou à une température excessive.** Une exposition au feu ou à une température supérieure à 130°C peut provoquer une explosion.
- g) **Suivre toutes les instructions de charge et ne pas charger le bloc de batteries ou l'outil fonctionnant sur batteries hors de la plage de températures spécifiée dans les instructions.** Un chargement incorrect ou à des températures hors de la plage spécifiée de températures peut endommager la batterie et augmenter le risque de feu.
- 6) **SERVICE**
- a) **Ne faites réparer votre outil électrique que par un personnel qualifié et seulement avec des pièces de rechange d'origine.** Ceci permet d'assurer la sécurité de l'outil électrique.
- b) **Ne jamais effectuer d'opération d'entretien sur des blocs de batteries endommagés.** Il convient que l'entretien des blocs de batteries ne soit effectué que par le fabricant ou les fournisseurs de service autorisés.

## INSTRUCTIONS DE SECURITE POUR SCIES SABRES SANS FIL

- **Tenez l'outil par les surfaces de préhension isolées, lors de la réalisation d'une opération au cours de laquelle l'accessoire de coupe peut entrer en contact avec un câblage non apparent** (le contact avec un fil sous tension peut également mettre sous tension les parties métalliques de l'outil électrique et provoquer un choc électrique sur l'opérateur)
- **Utilisez des pinces ou tout autre système pratique pour fixer et soutenir la pièce à travailler sur une surface stable** (si vous la tenez dans la main ou contre le corps, elle peut devenir instable et risquer de vous échapper)

### ACCESOIRES

- SKIL ne peut se porter garant du bon fonctionnement de cet outil que s'il a été utilisé avec les accessoires d'origine
- La vitesse admissible des accessoires utilisés doit être au moins aussi élevée que la vitesse à vide maximale de l'outil

### AVANT L'USAGE

- Faites attention aux vis, clous ou autres éléments qui pourraient se trouver dans la pièce à travailler et qui risqueraient d'endommager très fortement votre outil; enlevez-les avant de commencer le travail
- **Utilisez des détecteurs appropriés afin de localiser la présence de conduites électriques ou bien s'adresser à la société locale de distribution** (un contact avec des lignes électriques peut provoquer un incendie et une décharge électrique; le fait d'endommager une conduite de gaz peut entraîner une explosion; le fait d'endommager une conduite d'eau peut entraîner des dégâts matériels ou causer une décharge électrique)

### SECURITE DES PERSONNES

- Cet outil ne doit pas être utilisé par des personnes de moins de 16 ans
- **Ne travaillez pas de matériaux contenant de l'amiante** (l'amiante est considéré comme étant cancérigène)
- La poussière de matériaux, tels que la peinture contenant du plomb, certaines espèces de bois, certains minéraux et différents métaux, peut être nocive (le contact avec la poussière ou son inhalation peut provoquer des réactions allergiques et/ou des maladies respiratoires chez l'opérateur ou des personnes se trouvant à proximité); **portez un masque antipoussières et travaillez avec un appareil de dépolluissage lorsqu'il est possible d'en connecter un**
- Certains types de poussières sont classifiés comme étant cancérigènes (tels que la poussière de chêne ou de hêtre), en particulier en combinaison avec des additifs de traitement du bois; **portez un masque antipoussières et travaillez avec un appareil de dépolluissage lorsqu'il est possible d'en connecter un**
- Suivez les directives nationales relatives au dépolluissage pour les matériaux à travailler
- **Tenez les mains à l'écart de la zone de coupe et de la lame; tenez la poignée cylindrique F ②** (si les deux mains tiennent la scie, elles ne pourront pas entrer en contact avec la lame)
- **Ne placez pas la main sous la pièce** (la lame étant proche de la main, elle est hors de votre vue)
- **Ne tenez jamais la pièce à couper de la main ou**

**en travers de la jambe** (la pièce doit être soutenue correctement pour réduire l'exposition des parties du corps, l'adhésion de la lame ou la perte de contrôle)

- **N'utilisez pas de lame émoussée ou endommagée** (une lame tordue risque de se briser facilement ou de provoquer un effet de rebond)
- **Utilisez des gants de protection pour retirer la lame** (elle risque d'être brûlante après une utilisation prolongée)
- Utilisez des lunettes de protection et des casques anti-bruit

#### BATTERIES

- **La batterie fournie est partiellement chargée** (pour garantir la capacité totale de la batterie, chargez intégralement la batterie dans le chargeur de batterie avant d'utiliser l'outil à moteur pour la première fois)
- **Utilisez uniquement les batteries et les chargeurs suivants avec l'outil**
  - Batterie SKIL : BR1\*31\*\*\*\*
  - Chargeur SKIL : CR1\*31\*\*\*\*
- N'utilisez pas la batterie lorsque celle-ci est endommagée ; remplacez-la
- Ne démontez pas la batterie
- N'exposez jamais l'outil/la batterie à la pluie
- Plage de températures autorisées (outil/chargeur/batterie):
  - pendant la charge 4...40°C
  - pendant le fonctionnement -20...+50°C
  - pour le stockage -20...+50°C

#### EXPLICATION DES SYMBOLES SUR L'OUTIL/LA BATTERIE

- ③ Veuillez lire le mode d'emploi avant d'utiliser l'outil
- ④ La batterie explosera si elle est jetée au feu - ne la brûlez en aucun cas
- ⑤ Rangez l'outil/le chargeur/la batterie dans des endroits où la température n'excède pas 50°C
- ⑥ Ne jetez pas les outils électriques et les piles dans les ordures ménagères

#### UTILISATION

- Chargement de la batterie
  - ! lisez les avertissements de sécurité et les instructions fournis avec le chargeur
- Retirer/installer la batterie ②
- Indicateur de niveau de charge de la batterie ⑦
  - appuyez sur le bouton indicateur de niveau de charge de la batterie L pour afficher le niveau de charge actuel de la batterie ⑦a
  - ! si le niveau le plus bas de l'indicateur de la batterie commence à clignoter après avoir appuyé sur le bouton L ⑦b, la batterie est déchargée
  - ! si 2 les niveaux de l'indicateur de la batterie commencent à clignoter après avoir appuyé sur le bouton L ⑦c, la batterie n'est pas située dans la plage de températures de fonctionnement autorisée
- Voyant LED ⑧
  - le voyant LED s'allume automatiquement lorsque vous activez l'interrupteur de marche/arrêt
  - ! lorsque le voyant LED commence à clignoter, la protection de la batterie est activée (voir ci-dessous)
- Protection de la batterie
  - L'outil est soudainement mis hors tension ou la mise sous

tension est empêchée lorsque

- la charge est trop élevée --> retirez la charge et recommencez
- la température n'est pas située dans la plage de températures de fonctionnement autorisée de -20 à +50°C --> 2 les niveaux de l'indicateur de niveau de charge de la batterie commencent à clignoter lorsque vous appuyez sur le bouton L ⑦c; attendez que la batterie soit revenue dans la plage de températures de fonctionnement autorisée
- la batterie est presque déchargée (pour empêcher qu'elle ne se décharge complètement) --> un niveau de batterie faible ou un niveau de batterie clignotant ⑦b apparaît sur l'indicateur de charge de la batterie lorsque vous appuyez sur le bouton L; chargez la batterie
- ! ne continuez pas à appuyer sur la commande marche/arrêt après l'arrêt automatique de l'outil; cela pourrait endommager la batterie
- Interrupteur conjugué marche/arrêt-contrôle de la vitesse avec bouton de verrouillage ⑨ ⑩
  - déverrouillez d'abord en appuyant sur le bouton A
  - mettez en marche votre outil en poussant la gâchette B
  - contrôle de la vitesse de zero au maximum en appuyant plus ou moins sur la gâchette
  - arrêtez l'outil en relâchant la gâchette B
- Le bouton de verrouillage A peut être activé ⑨
  - s'il est activé, l'interrupteur marche/arrêt est verrouillé et la machine est protégée contre le risque d'être mise en marche accidentellement
- Montage de la lame de scie ⑪

#### ! retirez la batterie de l'outil avant d'effectuer des réglages ou de changer d'accessoire

- tournez le serrage de lame C dans le même sens que la flèche D sur l'outil et maintenez-le dans cette position
- insérez la lame (les dents vers le bas ou vers le haut) jusqu'au bout
- relâchez le serrage de lame C
- enfoncez la lame et essayez de la retirer pour vous assurer qu'elle est bien en place
- Retrait de la lame de scie ⑪
  - ! retirez la batterie de l'outil avant d'effectuer des réglages ou de changer d'accessoire
  - tournez le serrage de lame C dans le même sens que la flèche D sur l'outil et maintenez-le dans cette position
  - retirez la lame
  - relâchez le serrage de lame C
- Action orbitaire pour une découpe rapide ⑫
  - pour activer l'action orbitaire de la lame de scie, utilisez l'interrupteur N comme illustré
  - ! n'activez pas l'action orbitaire quand vous coupez des métaux
- Utilisation de l'outil
  - ! fixez solidement la pièce à travailler
  - tracez la ligne de découpe sur la pièce
  - installez la batterie sur l'outil
  - tenez l'outil en plaçant une main sur la poignée E l'autre sur la poignée cylindrique isolée F
  - mettez en marche l'outil
  - guidez l'outil le long de la ligne de découpe tracée
  - tenez l'affût G fermement contre la pièce pour réduire l'effet de recul et les vibrations

- Tenue et guidage de l'outil  
! **lorsque vous travaillez, tenez toujours l'outil par la(les) zone(s) de couleur grise** ⑬
- veillez à ce que les fentes de ventilation H soient découvertes
- ne pas appuyez trop fortement sur l'outil; laissez l'outil travailler pour vous
- ! **assurez-vous que la lame traverse complètement la pièce à travailler** ⑭
- Réglage de la profondeur de sciage effective ⑮
- ! **retirez la batterie de l'outil avant d'effectuer des réglages ou de changer d'accessoire**
- utilisez la clé hexagonale K pour déserrer et serrer les deux boulons de fixation J
- glissez l'affût G vers l'avant ou vers l'arrière afin d'agrandir/diminuer la profondeur de sciage effective

## CONSEILS D'UTILISATION

- Coupes plongeautes ⑯
- Il est possible d'effectuer un sciage en plongée sur du bois et tout matériau tendre sans percer un trou préalablement
- utilisez une lame épaisse
- ! **retirez la batterie de l'outil avant d'effectuer des réglages ou de changer d'accessoire**
- montez la lame les dents vers le haut
- tracez la ligne de découpe sur la pièce à travailler
- inclinez l'outil de sorte que la lame ne soit pas au contact de la pièce
- mettez en marche l'outil et engagez prudemment la lame en mouvement dans la pièce
- lorsque la lame a pénétré dans la pièce, continuez de scier le long du tracé de coupe
- ! **n'effectuez en aucun cas des sciages en plongée dans du métal**
- Utilisez les lames de scie appropriées ⑰
- Quand vous coupez des métaux, lubrifiez régulièrement la lame de scie de lubrifiant
- Couper sans éclats
- couvrez la ligne de coupe des plusieurs couches d'un large ruban adhésif avant d'effectuer la coupe
- toujours inversez la partie visible de la pièce à travailler
- Pour plus d'informations, voir [www.skil.com](http://www.skil.com)

## ENTRETIEN / SERVICE APRES-VENTE

- Cet outil n'est pas conçu pour un usage professionnel
- Maintenez toujours l'outil propre (surtout les fentes de ventilation) H ⑱
- ! **retirez la batterie de l'outil avant de procéder au nettoyage**
- Si, malgré tous les soins apportés à la fabrication et au contrôle de l'outil, celui-ci devait avoir un défaut, la réparation ne doit être confiée qu'à une station de service après-vente agréée pour outillage SKIL
- retournez l'outil **non démonté** avec votre preuve d'achat au revendeur ou au centre de service après-vente SKIL le plus proche (les adresses ainsi que la vue éclatée de l'outil figurent sur [www.skil.com](http://www.skil.com))
- Veuillez noter que tout dégât causé par une surcharge ou une mauvaise utilisation de l'outil ne sera pas couvert par la garantie (pour connaître les conditions de la garantie SKIL, surfez sur [www.skil.com](http://www.skil.com) ou adressez-vous à votre revendeur)

## ENVIRONNEMENT

- **Ne jetez pas les outils électriques, les piles, les accessoires et l'emballage dans les ordures ménagères** (pour les pays européens uniquement)
- conformément à la directive européenne 2012/19/EG relative aux déchets d'équipements électriques ou électroniques, et à sa transposition dans la législation nationale, les outils électriques usés doivent être collectés séparément et faire l'objet d'un recyclage respectueux de l'environnement
- le symbole ⑲ vous le rappellera au moment de la mise au rebut de l'outil
- ! **avant d'envoyer les batteries au recyclage, pour éviter un éventuel court-circuit, il convient de revêtir les bornes d'un épais ruban adhésif isolant**



## BRUIT / VIBRATION

- Mesurés selon EN 62841, le niveau de pression sonore de cet outil est de 85,0 dB(A), le niveau de puissance acoustique est de 96,0 dB(A) (incertitude K = 5 dB), et la vibration \* (somme vectorielle triax ; incertitude K = 1,5 m/s<sup>2</sup>)
- \* planche à découper 9,9 m/s<sup>2</sup>
- \* sciage des poutres en bois 9,5 m/s<sup>2</sup>
- Le niveau de vibrations émises a été mesuré conformément à l'essai normalisé de la norme EN 62841; il peut être utilisé pour comparer plusieurs outils et pour réaliser une évaluation préliminaire de l'exposition aux vibrations lors de l'utilisation de l'outil pour les applications mentionnées
- l'utilisation de l'outil dans d'autres applications, ou avec des accessoires différents ou mal entretenus, peut considérablement **augmenter** le niveau d'exposition
- la mise hors tension de l'outil et sa non-utilisation pendant qu'il est allumé peuvent considérablement **réduire** le niveau d'exposition
- ! **protégez-vous contre les effets des vibrations par un entretien correct de l'outil et de ses accessoires, en gardant vos mains chaudes et en structurant vos schémas de travail**

ⓓ

## Bürstenlose Akku-Gattersäge 3480

### EINLEITUNG

- Dieses Werkzeug ist für das Sägen von Holz, Plastik, Metall und Baumaterialien vorgesehen, sowie für das Schneiden von Bäumen und Gehölzen; es ist für gerade und gebogene Schnitte geeignet
- Dieses Werkzeug eignet sich nicht für den professionellen Einsatz
- Bitte diese Bedienungsanleitung sorgfältig lesen und aufbewahren ⑳



## TECHNISCHE DATEN ①

## WERKZEUGKOMPONENTEN ②

- A Arretierknopf
- B Schalter zum Ein-Aus-Schalten und zur Drehzahlregelung
- C Sägeblattklemme
- D Pfeil
- E Handgriff
- F Trommelgriff
- G Einstellbare Fußplatte
- H Lüftungsschlitze
- J Befestigungsbolzen
- K Sechskantschlüssel
- L Akkuladeanzeige
- M LED-Lampe
- N Schalter für Pendelung

## SICHERHEIT

### ALLGEMEINE SICHERHEITSHINWEISE FÜR ELEKTROWERKZEUGE

**⚠️ WARNUNG** Lesen Sie alle Sicherheitshinweise, Anweisungen, Abbildungen und technischen Daten dieses Elektrogeräts. Die Nichtbeachtung der nachfolgenden Anweisungen kann zu Stromschlägen, Bränden bzw. ernsthaften Verletzungen führen.

**Bewahren Sie alle Sicherheitshinweise und Anweisungen für die Zukunft auf.**

Der in den Sicherheitshinweisen verwendete Begriff "Elektrowerkzeug" bezieht sich auf netzbetriebene Elektrowerkzeuge (mit Netzkabel) und auf akkubetriebene Elektrowerkzeuge (ohne Netzkabel).

#### 1) ARBEITSPLATZSICHERHEIT

- a) **Halten Sie Ihren Arbeitsbereich sauber und gut beleuchtet.** Unordnung oder unbeleuchtete Arbeitsbereiche können zu Unfällen führen.
- b) **Arbeiten Sie mit dem Elektrowerkzeug nicht in explosionsgefährdeter Umgebung, in der sich brennbare Flüssigkeiten, Gase oder Stäube befinden.** Elektrowerkzeuge erzeugen Funken, die den Staub oder die Dämpfe entzünden können.
- c) **Halten Sie Kinder und andere Personen während der Benutzung des Elektrowerkzeuges fern.** Bei Ablenkung können Sie die Kontrolle über das Elektrowerkzeug verlieren.

#### 2) ELEKTRISCHE SICHERHEIT

- a) **Der Anschlussstecker des Elektrowerkzeuges muss in die Steckdose passen. Der Stecker darf in keiner Weise verändert werden. Verwenden Sie keine Adapterstecker gemeinsam mit schutzgeerdeten Elektrowerkzeugen.** Unveränderte Stecker und passende Steckdosen verringern das Risiko eines elektrischen Schlages.
- b) **Vermeiden Sie Körperkontakt mit geerdeten Oberflächen, wie von Rohren, Heizungen, Herden und Kühlschränken.** Es besteht ein erhöhtes Risiko durch elektrischen Schlag, wenn Ihr Körper geerdet ist.

- c) **Halten Sie das Elektrowerkzeug von Regen oder Nässe fern.** Das Eindringen von Wasser in ein Elektrogerät erhöht das Risiko eines elektrischen Schlages.
- d) **Zweckfremden Sie das Kabel nicht, um das Elektrowerkzeug zu tragen, aufzuhängen oder um den Stecker aus der Steckdose zu ziehen. Halten Sie das Kabel fern von Hitze, Öl, scharfen Kanten oder sich bewegenden Elektrowerkzeugeteilen.** Beschädigte oder verwickelte Kabel erhöhen das Risiko eines elektrischen Schlages.
- e) **Wenn Sie mit einem Elektrowerkzeug im Freien arbeiten, verwenden Sie nur Verlängerungskabel, die auch für den Außenbereich zugelassen sind.** Die Anwendung eines für den Außenbereich geeigneten Verlängerungskabels verringert das Risiko eines elektrischen Schlages.
- f) **Wenn der Betrieb des Elektrowerkzeuges in feuchter Umgebung nicht vermeidbar ist, verwenden Sie einen Fehlerstromschutzschalter.** Der Einsatz eines Fehlerstromschutzschalters vermindert das Risiko eines elektrischen Schlages.

#### 3) SICHERHEIT VON PERSONEN

- a) **Seien Sie aufmerksam, achten Sie darauf, was Sie tun, und gehen Sie mit Vernunft an die Arbeit mit einem Elektrowerkzeug. Benutzen Sie das Elektrowerkzeug nicht, wenn Sie müde sind oder unter dem Einfluss von Drogen, Alkohol oder Medikamenten stehen.** Ein Moment der Unachtsamkeit beim Gebrauch des Elektrowerkzeuges kann zu ernsthaften Verletzungen führen.
- b) **Tragen Sie persönliche Schutzausrüstung und immer eine Schutzbrille.** Das Tragen persönlicher Schutzausrüstung, wie Staubmaske, rutschfeste Sicherheitsschuhe, Schutzhelm oder Gehörschutz, je nach Art und Einsatz des Elektrowerkzeuges, verringert das Risiko von Verletzungen.
- c) **Vermeiden Sie eine unbeabsichtigte Inbetriebnahme. Vergewissern Sie sich, dass das Elektrowerkzeug ausgeschaltet ist, bevor Sie es an die Stromversorgung und/oder den Akku anschließen, es aufnehmen oder tragen.** Wenn Sie beim Tragen des Elektrowerkzeuges den Finger am Schalter haben oder das Elektrowerkzeug eingeschaltet an die Stromversorgung anschließen, kann dies zu Unfällen führen.
- d) **Entfernen Sie Einstellwerkzeuge oder Schraubenschlüssel, bevor Sie das Elektrowerkzeug einschalten.** Ein Werkzeug oder Schlüssel, der sich in einem drehenden Elektrowerkzeugeteil befindet, kann zu Verletzungen führen.
- e) **Überschätzen Sie sich nicht. Sorgen Sie für einen sicheren Stand und halten Sie jederzeit das Gleichgewicht.** Dadurch können Sie das Elektrowerkzeug in unerwarteten Situationen besser kontrollieren.
- f) **Tragen Sie geeignete Kleidung. Tragen Sie keine weite Kleidung oder Schmuck. Halten Sie Haare und Kleidung fern von sich bewegenden Teilen.** Lockere Kleidung, Schmuck oder lange Haare können von sich bewegenden Teilen erfasst werden.
- g) **Wenn Staubabsaug- und -auffangeinrichtungen montiert werden können, vergewissern Sie sich,**

**dass diese angeschlossen sind und richtig verwendet werden.** Verwendung einer Staubabsaugung verringert Gefährdungen durch Staub.

- h) **Wiegen Sie sich nicht in falscher Sicherheit und setzen Sie sich nicht über die Sicherheitsregeln für Elektrowerkzeuge hinweg, auch wenn Sie nach vielfachem Gebrauch mit dem Elektrowerkzeug vertraut sind.** Achtloses Handeln kann binnen Sekundenbruchteilen zu schweren Verletzungen führen.
- 4) **SORGFÄLTIGER UMGANG UND GEBRAUCH VON ELEKTROWERKZEUGEN**
- a) **Überlasten Sie das Elektrowerkzeug nicht. Verwenden Sie für Ihre Arbeit das dafür bestimmte Elektrowerkzeug.** Mit dem passenden Elektrowerkzeug arbeiten Sie besser und sicherer im angegebenen Leistungsbereich.
- b) **Benutzen Sie kein Elektrowerkzeug, dessen Schalter defekt ist.** Ein Elektrowerkzeug, das sich nicht mehr ein- oder ausschalten lässt, ist gefährlich und muss repariert werden.
- c) **Ziehen Sie den Stecker aus der Steckdose und/ oder entfernen Sie einen abnehmbaren Akku, bevor Sie Geräteeinstellungen vornehmen, Zubehörteile wechseln oder das Elektrowerkzeug weglegen.** Diese Vorsichtsmaßnahme verhindert den unbeabsichtigten Start des Elektrowerkzeuges.
- d) **Bewahren Sie benutzte Elektrowerkzeuge außerhalb der Reichweite von Kindern auf. Lassen Sie Personen das Elektrowerkzeug nicht benutzen, die mit diesem nicht vertraut sind oder diese Anweisungen nicht gelesen haben.** Elektrowerkzeuge sind gefährlich, wenn Sie von unerfahrenen Personen benutzt werden.
- e) **Pflegen Sie Elektrowerkzeuge und Zubehör mit Sorgfalt. Kontrollieren Sie, ob bewegliche Elektrowerkzeugeteile einwandfrei funktionieren und nicht klemmen, ob Teile gebrochen oder so beschädigt sind, dass die Funktion des Elektrowerkzeuges beeinträchtigt ist. Lassen Sie beschädigte Teile vor dem Einsatz des Elektrowerkzeuges reparieren.** Viele Unfälle haben ihre Ursache in schlecht gewarteten Elektrowerkzeugen.
- f) **Halten Sie Schneidwerkzeuge scharf und sauber.** Sorgfältig gepflegte Schneidwerkzeuge mit scharfen Schneidkanten verkleben sich weniger und sind leichter zu führen.
- g) **Verwenden Sie Elektrowerkzeug, Zubehör, Einsatzwerkzeuge usw. entsprechend diesen Anweisungen. Berücksichtigen Sie dabei die Arbeitsbedingungen und die auszuführende Tätigkeit.** Der Gebrauch von Elektrowerkzeugen für andere als die vorgesehenen Anwendungen kann zu gefährlichen Situationen führen.
- h) **Halten Sie Griffe und Griffflächen trocken, sauber und frei von Öl und Fett.** Rutschige Griffe und Griffflächen erlauben keine sichere Bedienung und Kontrolle des Elektrowerkzeuges in unvorhergesehenen Situationen.
- 5) **SORGFÄLTIGER UMGANG UND GEBRAUCH VON AKKUGERÄTEN**
- a) **Laden Sie die Akkus nur in Ladegeräten auf, die vom Hersteller empfohlen werden.** Für ein Ladegerät, das für eine bestimmte Art von Akkus geeignet ist,

besteht Brandgefahr, wenn es mit anderen Akkus verwendet wird.

- b) **Verwenden Sie nur die dafür vorgesehenen Akkus in den Elektrowerkzeugen.** Der Gebrauch von anderen Akkus kann zu Verletzungen und Brandgefahr führen.
- c) **Halten Sie den nicht benutzten Akku fern von Büroklammern, Münzen, Schlüsseln, Nägeln, Schrauben oder anderen kleinen Metallgegenständen, die eine Überbrückung der Kontakte verursachen könnten.** Ein Kurzschluss zwischen den Akkukontakten kann Verbrennungen oder Feuer zur Folge haben.
- d) **Bei falscher Anwendung kann Flüssigkeit aus dem Akku austreten. Vermeiden Sie den Kontakt damit. Bei zufälligem Kontakt mit Wasser abspülen. Wenn die Flüssigkeit in die Augen kommt, nehmen Sie zusätzlich ärztliche Hilfe in Anspruch.** Austretende Akkuflüssigkeit kann zu Hautreizungen oder Verbrennungen führen.
- e) **Benutzen Sie keinen beschädigten oder veränderten Akku.** Beschädigte oder veränderte Akkus können sich unvorhersehbar verhalten und zu Feuer, Explosion oder Verletzungsgefahr führen.
- f) **Setzen Sie einen Akku keinem Feuer oder zu hohen Temperaturen aus.** Feuer oder Temperaturen über 130°C können eine Explosion hervorrufen.
- g) **Befolgen Sie alle Anweisungen zum Laden und laden Sie den Akku oder das Akkuwerkzeug niemals außerhalb des in der Betriebsanleitung angegebenen Temperaturbereichs.** Falsches Laden oder Laden außerhalb des zugelassenen Temperaturbereichs kann den Akku zerstören und die Brandgefahr erhöhen.
- 6) **SERVICE**
- a) **Lassen Sie Ihr Elektrowerkzeug nur von qualifiziertem Fachpersonal und nur mit Original-Ersatzteilen reparieren.** Damit wird sichergestellt, dass die Sicherheit des Elektrowerkzeuges erhalten bleibt.
- b) **Warten Sie niemals beschädigte Akkus.** Sämtliche Wartung von Akkus sollte nur durch den Hersteller oder bevollmächtigte Kundendienststellen erfolgen.

#### SICHERHEITSHINWEISE FÜR AKKU-SÄBELSÄGEN

- **Halten Sie das Elektrowerkzeug an den isolierten Griffflächen, wenn Sie Arbeiten ausführen, bei denen das Einsatzwerkzeug verborgene Stromleitungen treffen kann** (der Kontakt mit einer spannungsführenden Leitung kann auch Metallteile des Elektrowerkzeuges unter Spannung setzen und zu einem elektrischen Schlag führen)
- **Verwenden Sie Klemmen oder andere praktische Vorrichtungen, um das Werkstück an einer stabilen Plattform zu sichern und zu befestigen** (wenn das Werkstück in der Hand oder gegen den Körper gehalten wird, ist es nicht stabil und man kann die Kontrolle verlieren)

#### ZUBEHÖR

- SKIL kann nur dann die einwandfreie Funktion des Werkzeuges zusichern, wenn Original-Zubehör verwendet wird
- Nur Zubehör verwenden, dessen zulässige Drehzahl mindestens so hoch ist wie die höchste Leerlaufdrehzahl des Werkzeuges

## VOR DER ANWENDUNG

- Beschädigungen durch Schrauben, Nägel und ähnliches an Ihrem Werkstück vermeiden; diese vor Arbeitsbeginn entfernen
- **Verwenden Sie geeignete Suchgeräte, um verborgene Versorgungsleitungen aufzuspüren, oder ziehen Sie die örtliche Versorgungsgesellschaft hinzu** (Kontakt mit Elektroleitungen kann zu Feuer und elektrischem Schlag führen; Beschädigung einer Gasleitung kann zur Explosion führen; Eindringen in eine Wasserleitung verursacht Sachbeschädigung oder kann einen elektrischen Schlag verursachen)

## SICHERHEIT VON PERSONEN

- Der Benutzer dieses Werkzeuges sollte älter als 16 Jahre sein
- **Bearbeiten Sie kein asbesthaltiges Material** (Asbest gilt als krebserregend)
- Staub von Materialien wie Farbe, die Blei enthält, einigen Holzarten, Mineralien und Metall kann schädlich sein (Kontakt mit oder Einatmen des Staubs kann zu allergischen Reaktionen und/oder Atemwegkrankheiten beim Bediener oder Umstehenden führen); **tragen Sie eine Staubmaske und arbeiten Sie mit einem Staubabsaugungssystem, wenn ein solches angeschlossen werden kann**
- Bestimmte Arten von Staub sind als karzinogen klassifiziert (beispielsweise Eichen- und Buchenholzstaub), insbesondere in Verbindung mit Zusätzen für die Holzvorbehandlung; **tragen Sie eine Staubmaske und arbeiten Sie mit einem Staubabsaugungssystem, wenn ein solches angeschlossen werden kann**
- Beachten Sie die für Ihr verwendetes Verbrauchsmaterial gültigen nationalen Staubschutzvorgaben
- **Die Hände von Schnittbereich und Sägeblatt fernhalten; die zweite Hand am Trommelgriff F ②** (wenn beide Hände die Säge halten, können sie nicht vom Sägeblatt geschnitten werden)
- **Nicht unter das Werkstück reichen** (Sie können nicht sehen, wie nahe das Sägeblatt der Hand kommt)
- **Das zu schneidende Werkstück niemals in den Händen oder über die Beine halten** (es ist wichtig, das Werkstück richtig abzustützen, um Exposition des Körpers, Verkleben des Sägeblatts oder Verlust der Kontrolle zu minimieren)
- **Kein stumpfes oder beschädigtes Sägeblatt benutzen** (gebogene Blätter können leicht brechen und Rückprall verursachen)
- **Beim Herausnehmen des Sägeblatts aus dem Werkzeug Schutzhandschuhe tragen** (das Sägeblatt kann nach längerem Einsatz heiß sein)
- Schutzbrille und Gehörschutz tragen

## BATTERIEN

- **Der mitgelieferte Akku ist teilweise geladen** (um die volle Kapazität des Akkus nutzen zu können, laden Sie den Akku im Ladegerät vollständig auf, bevor Sie das Elektrowerkzeug zum ersten Mal verwenden)
- **Nur die mit diesem Werkzeug mitgelieferten Batterien und Ladegeräte verwenden**
  - SKIL-Batterie: BR1\*31\*\*\*\*
  - SKIL-Ladegerät: CR1\*31\*\*\*\*
- Beschädigte Batterien nicht weiter verwenden, sondern ersetzen
- Die Batterie nicht auseinandernehmen
- Das Werkzeug/die Batterie niemals Regen aussetzen

- Erlaubte Umgebungstemperatur (Werkzeug/Ladegerät/Batterie):
  - beim Laden 4...40°C
  - beim Betrieb -20...+50°C
  - bei Lagerung -20...+50°

## ERKLÄRUNG DER SYMBOLE AUF DEM WERKZEUG/ AKKU

- ③ Die Bedienungsanleitung vor dem Gebrauch lesen
- ④ Batterien werden bei Kontakt mit Feuer explodieren, die Batterien daher niemals verbrennen
- ⑤ Bewahren Sie das Werkzeug/Ladegerät/Batterie stets bei Raumtemperaturen unter 50°C auf
- ⑥ Elektrowerkzeuge und Batterien nicht in den Hausmüll werfen

## BEDIENUNG

- Aufladen des Akkus
  - ! **Lesen Sie die mit dem Ladegerät gelieferten Sicherheitshinweise**
- Entfernen/Einlegen von Batterien ②
- Akkuladeanzeige ⑦
  - Drücken Sie die auf die Akkustandsanzeige L, um den aktuellen Akkustand anzuzeigen ⑦a
  - ! **Wenn der niedrigste Wert der Akkustandsanzeige nach dem Drücken der Taste L ⑦b blinkt, ist der Akku leer**
  - ! **Wenn die Werte 2 der Akkustandsanzeige nach dem Drücken der Taste L ⑦c blinken, befindet sich der Akku nicht im zulässigen Betriebstemperaturbereich**
- LED-Lampe ⑧
  - LED-Lampe geht automatisch an, wenn der Ein-/Ausschalter aktiviert wird
  - ! **Wenn die LED-Lampe zu blinken beginnt, ist der Akkuschutz aktiviert (siehe unten)**
- Batterieschutz
  - Das Gerät wird plötzlich ausgeschaltet oder kann nicht mehr eingeschaltet werden, wenn
    - **die Last zu hoch ist** --> Last entfernen und neu starten
    - **die Akkutemperatur nicht im zulässigen Betriebstemperaturbereich von -20 bis +50° C liegt** --> 2 Werte der Akkustandsanzeige blinken nach dem Drücken der Taste L ⑦c; warten, bis sich der Akku wieder innerhalb des zulässigen Betriebstemperaturbereichs befindet
    - **der Akku fast leer ist (zum Schutz vor Tiefentladung)** --> ein niedriger Akkustand oder ein blinkender Akkustand ⑦b wird von der Akkustandsanzeige angezeigt, wenn die Taste L gedrückt wird; Akku laden
  - ! **nach einer automatischen Ausschaltung des Werkzeugs nicht weiterhin auf den Ein-/Ausschalter drücken; der Akku kann beschädigt werden**
- Kombinationsschalter für Ein/Aus und Drehzahlregelung mit Feststellknopf ⑨ ⑩
  - erst durch Drücken des Knopfes A entriegeln
  - das Werkzeug wird durch Druck auf Schalter B eingeschaltet
  - durch mehr oder weniger Druck auf den Schalter kann die Geschwindigkeit stufenlos von Null bis zur maximalen Drehzahl geregelt werden
  - durch Lösen des Auslöseschalters B abschalten

- Verriegelungsknopf A kann aktiviert werden ⑨
  - wenn aktiviert, ist der Ein-/Ausschalter blockiert und die Maschine ist gegen unbeabsichtigtes Einschalten gesichert
- Montieren des Sägeblatts ⑩
  - ! **die Batterie aus dem Werkzeug herausnehmen, bevor Einstellungen vorgenommen oder Zubehörteile gewechselt wird**
  - die Sägeblattklemme C in die von dem Pfeil D auf der Säge angezeigte Richtung drehen und dort festhalten
  - das Sägeblatt vollständig einführen (mit den Zähnen nach unten oder oben)
  - die Sägeblattklemme C loslassen
  - das Sägeblatt hineindrücken und herausziehen, um zu prüfen, ob es korrekt arretiert ist
- Entfernen des Sägeblatts ⑪
  - ! **die Batterie aus dem Werkzeug herausnehmen, bevor Einstellungen vorgenommen oder Zubehörteile gewechselt wird**
  - die Sägeblattklemme C in die von dem Pfeil D auf der Säge angezeigte Richtung drehen und dort festhalten
  - das Sägeblatt herausziehen
  - die Sägeblattklemme C loslassen
- Pendelung für schnelles Schneiden ⑫
  - für das Aktivieren der Pendelung des Sägeblatts den Schalter N wie abgebildet verwenden
  - ! **Pendelung nicht beim Sägen von Metall aktivieren**
  - Bedienung des Werkzeuges
    - ! **das Werkstück sicher festklemmen**
    - die Schnittlinie auf dem Werkstück anzeichnen
    - Batterie am Werkzeug abringen
    - das Werkzeug mit einer Hand am Handgriff E und mit der anderen Hand am isolierten Trommelgriff F halten
    - das Werkzeug einschalten
    - das Werkzeug an der angezeichneten Schnittlinie entlangführen
    - die Fußplatte G fest gegen das Werkstück halten, damit Gegenkräfte und Schwingungen minimiert werden
- Halten und Führen des Werkzeuges
  - ! **Werkzeug beim Arbeiten immer am grauen Griffbereich fassen ⑬**
  - Lüftungsschlitze H unbedeckt halten
  - nicht zuviel Druck auf das Werkzeug ausüben; lassen Sie das Werkzeug für Sie arbeiten
  - ! **sicherstellen, dass das Sägeblatt über den gesamten Hub über das Werkstück hinaus geführt wird ⑭**
- Einstellen der effektiven Sägetiefe ⑮
  - ! **die Batterie aus dem Werkzeug herausnehmen, bevor Einstellungen vorgenommen oder Zubehörteile gewechselt wird**
  - Zum Lösen und Befestigen der beiden Befestigungsschrauben J den Sechskantschlüssel verwenden K
  - Fußplatte G nach vorne/hinten schieben, um die effektive Sägetiefe zu vergrößern/verkleinern

## ANWENDUNGSHINWEISE

- Einsetzschnitt ⑯
  - Einstichschnitte können in Holz und anderen weiteren Materialien angebracht werden, ohne dass ein Loch vorgebohrt werden muss
  - ein dickes Sägeblatt verwenden

### ! die Batterie aus dem Werkzeug herausnehmen, bevor Einstellungen vorgenommen oder Zubehörteile gewechselt wird

- das Sägeblatt mit den Zähnen nach oben montieren
- die gewünschte Schnittlinie auf dem Werkstück anzeichnen
- das Werkzeug so neigen, dass das Sägeblatt das Werkstück nicht berührt
- das Werkzeug einschalten und vorsichtig das sich bewegende Sägeblatt in das Werkstück einführen
- nachdem das Sägeblatt in das Werkstück eingedrungen ist, weiter entlang der markierten Schnittlinie sägen
- ! **keine Einstichschnitte in Metall vornehmen**
- Die entsprechenden Sägeblätter verwenden ⑰
- Beim Sägen von Metall Sägeblatt regelmässig mit Öl ein fetten
- Splitterfreies Sägen
  - die Schnittlinie mit mehreren Schichten breiten Kleband bedecken vor Arbeitsbeginn
  - die Oberfläche des Werkstücks grundsätzlich nach unten zeigend aufliegen
- Für weitere Informationen verweisen wir auf [www.skil.com](http://www.skil.com)

## WARTUNG / SERVICE

- Dieses Werkzeug eignet sich nicht für den professionellen Einsatz
- Halten Sie das Werkzeug immer sauber (insbesondere die Lüftungsschlitze H ②)
- ! **Vor der Montage die Batterie aus dem Werkzeug entfernen**
- Sollte das Elektrowerkzeug trotz sorgfältiger Herstellungs- und Prüfverfahren einmal ausfallen, ist die Reparatur von einer autorisierten Kundendienststelle für SKIL-Elektrowerkzeuge ausführen zu lassen
  - das Werkzeug **unzerlegt**, zusammen mit dem Kaufbeleg, an den Lieferer oder die nächste SKIL-Vertragswerkstätte senden (die Anschriften so wie die Ersatzteilzeichnung des Werkzeuges finden Sie unter [www.skil.com](http://www.skil.com))
- Beachten Sie, dass ein falscher oder unsachgemäßer Gebrauch des Werkzeuges zum Erlöschen der Garantie führt (die SKIL-Garantiebedingungen finden Sie unter [www.skil.com](http://www.skil.com) oder fragen Sie Ihren Händler)

## Umwelt

- **Elektrowerkzeuge, Batterien, Zubehör und Verpackungen nicht in den Hausmüll werfen** (nur für EU-Länder)
  - gemäss Europäischer Richtlinie 2012/19/EG über Elektro- und Elektronik- Altgeräte und Umsetzung in nationales Recht müssen nicht mehr gebrauchsfähige Elektrowerkzeuge getrennt gesammelt und einer umweltgerechten Wiederverwertung zugeführt werden
  - hieran soll Sie Symbol ⑥ erinnern
  - ! **bevor Sie die Batterie entsorgen, schützen Sie die Batterieenden mit einem schweren Band, um so Kriechströme zu vermeiden**

## GERÄUSCH / VIBRATION

- Gemessen nach EN 62841 beträgt der Schalldruckpegel dieses Werkzeuges 85,0 dB(A) und der

Schallleistungspegel 96,0 dB(A) (Unsicherheit K = 5 dB), und die Schwingung \* (Triaxvektorsumme; Unsicherheit K = 1,5 m/s<sup>2</sup>)

\* Schneidbrett 9,9 m/s<sup>2</sup>

\* Sägen von Holzbalken 9,5 m/s<sup>2</sup>

- Die Vibrationsemissionsstufe wurde mit einem standardisierten Test gemäß EN 62841 gemessen; Sie kann verwendet werden, um ein Werkzeug mit einem anderen zu vergleichen und als vorläufige Beurteilung der Vibrationsexposition bei Verwendung des Werkzeugs für die angegebenen Anwendungszwecke
  - die Verwendung des Werkzeugs für andere Anwendungen oder mit anderem oder schlecht gewartetem Zubehör kann die Expositionsstufe erheblich **erhöhen**
  - Zeiten, zu denen das Werkzeug ausgeschaltet ist, oder wenn es läuft aber eigentlich nicht eingesetzt wird, können die Expositionsstufe erheblich **verringern**
- ! **schützen Sie sich vor den Auswirkungen der Vibration durch Wartung des Werkzeugs und des Zubehörs, halten Sie Ihre Hände warm und organisieren Sie Ihren Arbeitsablauf**

NL

## Borstelloze snoerloze 3480 reciprozaag

### INTRODUCTIE

- Deze machine is bestemd voor het zagen van hout, plastic, metaal en bouwmaterialen, het snoeien en beknotten van bomen en is tevens geschikt om recht en in bochten te zagen
- Deze machine is niet bedoeld voor professioneel gebruik
- Lees en bewaar deze gebruiksaanwijzing ③

### TECHNISCHE GEGEVENS ①

### MACHINE-ELEMENTEN ②

- A Vergrendelingsknop
- B Schakelaar voor aan/uit en toerentalregeling
- C Zaagbladklem
- D Pijl
- E Handgreep
- F Voorhandgreep
- G Instelbare voetplaat
- H Ventilatie-openingen
- J Bevestigingsbouten
- K Zeskantsleutel
- L Batterijniveau-indicator
- M LED-lampje
- N Schakelaar voor orbitale zaagbeweging

### VEILIGHEID

#### ALGEMENE VEILIGHEIDSWAARSCHUWINGEN VOOR ELEKTRISCHE GEREEDSCHAPPEN

**WAARSCHUWING** Lees alle veiligheidswaarschuwingen, instructies, afbeeldingen en specificaties die met dit elektrische gereedschap zijn meegeleverd. Het niet volgen van alle hieronder genoemde instructies kan elektrische schokken, brand en/of ernstig letsel tot gevolg hebben.

#### Bewaar alle waarschuwingen en voorschriften voor toekomstig gebruik.

Het in de waarschuwingen gebruikte begrip "elektrisch gereedschap" heeft betrekking op elektrische gereedschappen voor gebruik op het stroomnet (met netsnoer) en op elektrische gereedschappen voor gebruik met een accu (zonder netsnoer).

#### 1) VEILIGHEID VAN DE WERKOMGEVING

- Houd uw werkomgeving schoon en opgeruimd.** Een rommelige of onverlichte werkomgeving kan tot ongevallen leiden.
- Werk met het gereedschap niet in een omgeving met explosiegevaar waarin zich brandbare vloeistoffen, gassen of stof bevinden.** Elektrische gereedschappen veroorzaken vonken die het stof of de dampen tot ontsteking kunnen brengen.
- Houd kinderen en andere personen tijdens het gebruik van het elektrische gereedschap uit de buurt.** Wanneer u wordt afgeleid, kunt u de controle over het gereedschap verliezen.

#### 2) ELEKTRISCHE VEILIGHEID

- De aansluitstekker van het gereedschap moet in het stopcontact passen. De stekker mag in geen geval worden veranderd. Gebruik geen adapterstekkers in combinatie met geaarde gereedschappen.** Onveranderde stekkers en passende stopcontacten beperken het risico van een elektrische schok.
  - Voorkom aanraking van het lichaam met geaarde oppervlakken, bijvoorbeeld van buizen, verwarmingen, fornuizen en koelkasten.** Er bestaat een verhoogd risico door een elektrische schok wanneer uw lichaam geaard is.
  - Houd het gereedschap uit de buurt van regen en vocht.** Het binnendringen van water in het elektrische gereedschap vergroot het risico van een elektrische schok.
  - Gebruik de kabel niet voor een verkeerd doel, om het gereedschap te dragen of op te hangen of om de stekker uit het stopcontact te trekken. Houd de kabel uit de buurt van hitte, olie, scherpe randen en bewegende gereedschapsdelen.** Beschadigde of in de war geraakte kabels vergroten het risico van een elektrische schok.
  - Wanneer u buitenshuis met elektrisch gereedschap werkt, dient u alleen verlengkabels te gebruiken die voor gebruik buitenshuis zijn goedgekeurd.** Het gebruik van een voor gebruik buitenshuis geschikte verlengkabel beperkt het risico van een elektrische schok.
  - Als het gebruik van het elektrische gereedschap in een vochtige omgeving onvermijdelijk is, dient u een aardlekschakelaar te gebruiken.** Het gebruik van een aardlekschakelaar vermindert het risico van een elektrische schok.
- #### 3) PERSOONLIJKE VEILIGHEID
- Wees alert, let goed op wat u doet en ga met verstand te werk bij het gebruik van het elektrische gereedschap. Gebruik het gereedschap niet wanneer u moe bent of onder invloed staat van drugs, alcohol of medicijnen.** Een moment van onoplettendheid bij het gebruik van het gereedschap kan tot ernstige verwondingen leiden.

- b) **Draag persoonlijke beschermende uitrusting en altijd een veiligheidsbril.** Het dragen van persoonlijke beschermende uitrusting zoals een stofmasker, slipvast werkschoenen, een veiligheidshelm of gehoorbescherming, afhankelijk van de aard en het gebruik van het elektrische gereedschap, vermindert het risico van verwondingen.
- c) **Voorkom per ongeluk inschakelen. Controleer dat het elektrische gereedschap uitgeschakeld is voordat u de stekker in het stopcontact steekt of de accu aansluit en voordat u het gereedschap oppakt of draagt.** Wanneer u bij het dragen van het elektrische gereedschap uw vinger aan de schakelaar hebt of wanneer u het gereedschap ingeschakeld op de stroomvoorziening aansluit, kan dit tot ongevallen leiden.
- d) **Verwijder instelgereedschappen of schroefsleutels voordat u het gereedschap inschakelt.** Een instelgereedschap of sleutel in een draaiend deel van het gereedschap kan tot verwondingen leiden.
- e) **Probeer niet ver te reiken. Zorg ervoor dat u stevig staat en steeds in evenwicht blijft.** Daardoor kunt u het gereedschap in onverwachte situaties beter onder controle houden.
- f) **Draag geschikte kleding. Draag geen loshangende kleding of sieraden. Houd haren en kleding uit de buurt van bewegende delen.** Loshangende kleding, sieraden en lange haren kunnen door bewegende delen worden meegenomen.
- g) **Wanneer stofafzuigings- of stofopvangvoorzieningen kunnen worden gemonteerd, dient u zich ervan te verzekeren dat deze zijn aangesloten en juist worden gebruikt.** Het gebruik van een stofafzuiging beperkt het gevaar door stof.
- h) **Ondanks het feit dat u eventueel heel goed vertrouwd bent met het gebruik van gereedschappen, moet u ervoor zorgen dat u niet nonchalant wordt en veiligheidsvoorschriften voor het gereedschap gaat negeren.** Een onoplettende handeling kan binnen een fractie van een seconde ernstig letsel veroorzaken.
- 4) GEBUIK EN ONDERHOUD VAN ELEKTRISCHE GEREEDSCHAPPEN**
- a) **Overbelast het gereedschap niet. Gebruik voor uw werkzaamheden het daarvoor bestemde elektrische gereedschap.** Met het passende elektrische gereedschap werkt u beter en veiliger binnen het aangegeven capaciteitsbereik.
- b) **Gebruik geen elektrisch gereedschap waarvan de schakelaar defect is.** Elektrisch gereedschap dat niet meer kan worden in- of uitgeschakeld, is gevaarlijk en moet worden gerepareerd.
- c) **Trek de stekker uit het stopcontact en/of neem de accu (indien uitneembaar) uit het elektrische gereedschap voordat u het elektrische gereedschap instelt, accessoires wisselt of het elektrische gereedschap opbergt.** Deze voorzorgsmaatregel voorkomt onbedoeld starten van het elektrische gereedschap.
- d) **Bewaer niet-gebruikte elektrische gereedschappen buiten bereik van kinderen. Laat het gereedschap niet gebruiken door personen die er niet mee vertrouwd zijn en deze aanwijzingen niet hebben gelezen.** Elektrische gereedschappen zijn gevaarlijk wanneer deze door onervaren personen worden gebruikt.
- e) **Verzorg het gereedschap zorgvuldig. Controleer of bewegende delen van het gereedschap correct functioneren en niet vastklemmen en of onderdelen zodanig gebroken of beschadigd zijn dat de werking van het gereedschap nadelig wordt beïnvloed. Laat beschadigde delen repareren voordat u het gereedschap gebruikt.** Veel ongevallen hebben hun oorzaak in slecht onderhouden elektrische gereedschappen.
- f) **Houd snijdende inzetgereedschappen scherp en schoon.** Zorgvuldig onderhouden snijdende inzetgereedschappen met scherpe snijkanten klemmen minder snel vast en zijn gemakkelijker te geleiden.
- g) **Gebruik elektrische gereedschappen, toebehoren, inzetgereedschappen en dergelijke volgens deze aanwijzingen. Let daarbij op de arbeidsomstandigheden en de uit te voeren werkzaamheden.** Het gebruik van elektrische gereedschappen voor andere dan de voorziene toepassingen kan tot gevaarlijke situaties leiden.
- h) **Houd handgrepen en greepvlakken droog, schoon en vrij van olie en vet.** Gladde handgrepen en greepvlakken verhinderen dat het gereedschap in onverwachte situaties veilig kan worden gehanteerd en bediend.
- 5) GEBUIK EN ONDERHOUD VAN ACCUGEREEDSCHAPPEN**
- a) **Laad accu's alleen op in opladers die door de fabrikant worden geadviseerd.** Voor een oplader die voor een bepaald type accu geschikt is, bestaat brandgevaar wanneer deze met andere accu's wordt gebruikt.
- b) **Gebruik alleen de daarvoor bedoelde accu's in de elektrische gereedschappen.** Het gebruik van andere accu's kan tot verwondingen en brandgevaar leiden.
- c) **Voorkom aanraking van de niet-gebruikte accu met paperclips, munten, sleutels, spijkers, schroeven en andere kleine metalen voorwerpen die overbrugging van de contacten kunnen veroorzaken.** Kortsluiting tussen de accucontacten kan brandwonden of brand tot gevolg hebben.
- d) **Bij verkeerd gebruik kan vloeistof uit de accu lekken. Voorkom contact. Spoel bij onvoorzien contact met water af. Wanneer de vloeistof in de ogen komt, dient u bovendien een arts te raadplegen.** Gelekte accuvloeistof kan tot huidirritaties en verbrandingen leiden.
- e) **Gebruik accu of gereedschap niet, als deze beschadigd of veranderd zijn.** Beschadigde of veranderde accu's kunnen onvoorspelbaar gedrag vertonen, waardoor een brand, explosie of het gevaar van letsel kan ontstaan.
- f) **Stel accu of gereedschap niet bloot aan vuur of overmatige temperaturen.** Blootstelling aan vuur of temperaturen boven 130°C kan een explosie veroorzaken.
- g) **Volg alle aanwijzingen voor het laden en laad de accu of het gereedschap niet buiten het temperatuurbereik dat in de aanwijzingen is vermeld.** Verkeerd laden of laden bij temperaturen buiten het vastgelegde bereik kan de accu beschadigen en het risico van brand vergroten.

## 6) SERVICE

- a) **Laat het gereedschap alleen repareren door gekwalificeerd en vakkundig personeel en alleen met originele vervangingsonderdelen.** Daarmee wordt gewaarborgd dat de veiligheid van het gereedschap in stand blijft.
- b) **Voer nooit servicewerkzaamheden aan beschadigde accu's uit.** Service van accu's dient uitsluitend te worden uitgevoerd door de fabrikant of erkende servicewerkplaatsen.

## VEILIGHEIDSVOORSCHRIFTEN VOOR SNOERLOZE RECIPROZAGEN

- **Houd het elektrische gereedschap aan de geïsoleerde greepvlakken vast als u werkzaamheden uitvoert waarbij het inzetgereedschap verborgen stroomleidingen kan raken** (contact met een onder spanning staande leiding kan ook metalen delen van het elektrische gereedschap onder spanning zetten en tot een elektrische schok leiden)
- **Gebruik klemmen of pas een andere handige manier toe om het werkstuk vast te zetten en te ondersteunen op een stabiel platform** (bij het in de hand of tegen het lichaam houden van het werkstuk, kan de machine niet goed onder controle worden gehouden)

## ACCESSOIRES

- SKIL kan alleen een correcte werking van de machine garanderen, indien originele accessoires worden gebruikt
- Gebruik alleen accessoires met een toegestaan toerental, dat minstens even hoog is als het hoogste onbelaste toerental van de machine

## VÓÓR GEBRUIK

- Voorkom schade, die kan ontstaan door schroeven, spijkers en andere voorwerpen in uw werkstuk; verwijder deze, voordat u aan een karwei begint
- **Gebruik een geschikt detectieapparaat om verborgen stroom-, gas- of waterleidingen op te sporen of raadpleeg het plaatselijke energie-of waterleidingbedrijf** (contact met elektrische leidingen kan tot brand of een elektrische schok leiden; beschadiging van een gasleiding kan tot een explosie leiden; breuk van een waterleiding veroorzaakt materiële schade en kan tot een elektrische schok leiden)

## PERSOONLIJKE VEILIGHEID

- Deze machine mag niet worden gebruikt door personen onder de 16 jaar
- **Bewerk geen asbesthoudend materiaal** (asbest geldt als kankerverwekkend)
- Stof van materiaal zoals loodhoudende verf, sommige houtsoorten, mineralen en metaal kunnen schadelijk zijn (contact met of inademing van de stof kan allergische reacties en/of ademhalingsziekten bij gebruiker of omstanders veroorzaken); **draag een stofmasker en werk met een stofopvang-voorziening als die kan worden aangesloten**
- Bepaalde soorten stof zijn geclassificeerd als kankerverwekkend (zoals stof van eiken en beuken), met name in combinatie met toevoegingsmiddelen voor houtverzorging; **draag een stofmasker en werk met een stofopvang-voorziening als die kan worden aangesloten**
- Neem voor de door u te bewerken materialen de nationale voorschriften aangaande stofopvang in acht

- **Blijf met uw handen uit de buurt van het werkgebied van de zaag en het zaagblad; houd met uw tweede hand voorhandgreep F ②** (als beide handen de machine vasthouden, kunnen ze niet met het zaagblad in contact komen)
- **Reik niet naar iets onder het werkstuk** (het is dan niet te zien hoe dicht het zaagblad zich bij uw hand bevindt)
- **Houd nooit een te zagen werkstuk in uw handen of op uw been** (het is belangrijk om het werk goed te ondersteunen om lichaamsverwondingen, verklemmen van het zaagblad, of verlies van controle over de zaag tot een minimum te beperken)
- **Gebruik geen botte of beschadigde zaagbladen** (gebogen zaagbladen kunnen makkelijk breken of terugslag veroorzaken)
- **Gebruik beschermende handschoenen als u het zaagblad uit de machine haalt** (het zaagblad kan heet zijn na langdurig gebruik)
- Draag een veiligheidsbril en gehoorbescherming

## BATTERIJEN

- **De geleverde batterij is deels opgeladen** (om een volledige capaciteit van de batterij te garanderen, moet u de batterij volledig opladen in de oplader voordat u uw elektrische gereedschap voor de eerste keer gebruikt)
- **Gebruik uitsluitend de volgende batterijen en opladers voor deze machine**
  - SKIL-batterij: BR1\*31\*\*\*\*
  - SKIL-oplader: CR1\*31\*\*\*\*
- Gebruik de batterij niet, wanneer deze beschadigd is; vervang deze
- Haal de batterij niet uit elkaar
- Stel machine/batterij niet bloot aan regen
- Toegestane omgevingstemperatuur (machine/oplader/batterij):
  - bij het laden 4...40°C
  - bij het gebruik -20...+50°C
  - bij opslag -20...+50°C

## UITLEGGING VAN SYMBOLEN OP MACHINE/BATTERIJ

- ③ Lees de gebruiksaanwijzing vóór gebruik
- ④ Batterijen exploderen als zij in vuur worden gegooid, dus verbrand de batterij in geen geval
- ⑤ Bewaar de machine/oplader/batterij op een plaats, waar de temperatuur niet hoger dan 50°C kan worden
- ⑥ Geef elektrisch gereedschap en batterijen niet met het huisvuil mee

## GEBRUIK

- Opladen batterij
- **! lees de veiligheids waarschuwingen en -voorschriften die bij de oplader worden geleverd**
- Verwijderen/installeren van de batterij ②
- Batterijniveau-indicator ⑦
  - druk op de batterijniveau-indicatorknop L om het huidige batterijniveau ⑦a aan te geven
  - **! wanneer het laagste niveau van de batterij-indicator gaat knippen nadat er op knop L ⑦b is gedrukt, is de batterij leeg**
  - **! wanneer 2 niveaus van de batterij-indicator gaan knippen nadat er op knop L ⑦c is gedrukt, is de batterij niet binnen het toegestane bedrijfstemperatuurbereik**
- LED-lamp ⑧
  - LED-lampje licht automatisch op bij activeren van de aan/uit-schakelaar
  - **! als het LED-lampje gaat knippen is de batterijbescherming geactiveerd (zie hieronder)**

- Batterijbescherming  
De machine wordt plotseling uitgeschakeld of kan niet meer worden ingeschakeld, wanneer
  - **de belasting te hoog is** --> hef de belasting op en start opnieuw
  - **de temperatuur van de batterij niet binnen het toegestane bedrijfstemperatuurbereik ligt van -20 tot +50°C** --> 2 niveaus van de batterijniveau-indicator gaan knippen als er op knop L ⑦ c wordt gedrukt; wacht tot de batterij weer binnen het toegestane bedrijfstemperatuurbereik zit
  - **de batterij bijna leeg is (ter bescherming tegen diepe ontleding)** --> er wordt (knipperend) een laag batterijniveau ⑦ b aangegeven door de batterijniveau-indicator als er op knop L wordt gedrukt; batterij opladen
- ! **blijf niet op de aan/uit-schakelaar drukken nadat de machine automatisch is uitgeschakeld; de batterij kan beschadigd worden**
- Gecombineerde schakelaar voor aan/uit en toerentalregeling met blokkeerknop ⑨ ⑩
  - ontgrendel eerst door te drukken op knop A
  - zet uw machine aan door schakelaar B in te drukken
  - regel het toerental traploos van 0 tot maximum door de schakelaar dieper in te drukken
  - zet uit door trekker B los te laten
- Blokkeerknop A kan worden geactiveerd ⑨
  - indien geactiveerd, is de aan/uit-schakelaar geblokkeerd en is de machine beveiligd tegen onbedoeld inschakelen
- Monteren van zaagblad ⑪
  - ! **verwijder de batterij uit de machine voordat u instellingen verandert of een accessoire verwisselt**
  - draai zaagbladklem C in dezelfde richting als pijl D op de machine en houd hem in deze positie
  - steek zaagblad in (met tanden omlaag of omhoog gericht) tot deze niet verder kan
  - laat zaagbladklem C los
  - beweeg het zaagblad op en neer om te controleren of hij goed vast zit
- Verwijderen van zaagblad ⑪
  - ! **verwijder de batterij uit de machine voordat u instellingen verandert of een accessoire verwisselt**
  - draai zaagbladklem C in dezelfde richting als pijl D op de machine en houd hem in deze positie
  - trek het zaagblad eruit
  - laat zaagbladklem C los
- Orbitale zaagbeweging voor het snellere zaagwerk ⑫
  - gebruik schakelaar N zoals getoond in de afbeelding voor het activeren van de orbitale zaagbeweging van het zaagblad
  - ! **de orbitale zaagbeweging niet activeren bij het zagen van metaal**
- Werken met de machine
  - ! **klem het werkstuk stevig vast**
  - markeer de zaaglijn op het werkstuk
  - monteer batterij op machine
  - houd de machine met de ene hand vast bij handgreep E en met de ander bij de geïsoleerde voorhandgreep F
  - zet de machine aan
  - geleid de machine langs de aangegeven zaaglijn

- druk voetplaat G stevig tegen het werkstuk om terugslag en trilling tot een minimum te beperken
- Vasthouden en leiden van de machine
  - ! **houd de machine tijdens het werk altijd vast bij het(de) grijs-gekleurde greepvlak(ken)** ⑬
  - houd ventilatie-openingen H onbedekt
  - oefen niet te veel druk uit; laat de machine het werk voor u doen
  - ! **zorg ervoor, dat het zaagblad aan de andere kant van het werkstuk uitsteekt tijdens een zaagsnede** ⑭
- Effectieve zaagdiepte aanpassen ⑮
  - ! **verwijder de batterij uit de machine voordat u instellingen verandert of een accessoire verwisselt**
  - gebruik zeskantsleutel K voor het los- en vastdraaien van beide bevestigingsbouten J
  - schuif voetplaat G vooruit/achteruit om de effectieve zaagdiepte te vergroten/verkleinen

## TOEPASSINGSADVIES

- Invallend zagen ⑯
  - Inval-zaagsnedes kunnen in hout en andere zachte materialen gemaakt worden zonder een gat voor te boren
  - gebruik een dik zaagblad
  - ! **verwijder de batterij uit de machine voordat u instellingen verandert of een accessoire verwisselt**
  - monteer het zaagblad met de tanden naar boven
  - markeer de gewenste zaaglijn op het werkstuk
  - kantel de machine zodanig, dat het zaagblad het werkstuk niet raakt
  - zet de machine aan en laat het bewegende zaagblad voorzichtig in het werkstuk grijpen
  - nadat het zaagblad helemaal door het werkstuk heen is gegaan, doorgaan met zagen lang de aangegeven zaaglijn
  - ! **maak geen inval-zaagsnedes in metaalachtige materialen**
- Gebruik de juiste zaagbladen ⑰
- Bij het zagen in metalen, het zaagblad regelmatig met olie invetten
- Splintervrij zagen
  - bedek de zaaglijn met verscheidene lagen breed plakband, voordat u begint te zagen
  - leg de goede kant van het werkstuk altijd naar beneden
- Voor meer informatie zie [www.skil.com](http://www.skil.com)

## ONDERHOUD / SERVICE

- Deze machine is niet bedoeld voor professioneel gebruik
- Houd machine altijd schoon (met name de ventilatie-openingen H ②)
- ! **verwijder vóór het reinigen de batterij uit de machine**
- Mocht het elektrische gereedschap ondanks zorgvuldige fabricage- en testmethoden toch defect raken, dient de reparatie te worden uitgevoerd door een erkende klantenservice voor SKIL elektrische gereedschappen
- stuur de machine **ongedemonteerd**, samen met het aankoopbewijs, naar het verkoopadres of het dichtstbijzijnde SKIL service-station (de adressen evenals de onderdeelentekening van de machine vindt u op [www.skil.com](http://www.skil.com))



- Denk erom, dat beschadigingen als gevolg van overbelasting of onjuist gebruik van de machine niet onder de garantie vallen (voor de garantievoorwaarden van SKIL zie [www.skil.com](http://www.skil.com) of raadpleeg uw dealer)

## MILIEU

- **Geef elektrisch gereedschap, batterijen, accessoires en verpakkingen niet met het huisvuil mee** (alleen voor EU-landen)
  - volgens de Europese richtlijn 2012/19/EG inzake oude elektrische en elektronische apparaten en de toepassing daarvan binnen de nationale wetgeving, dient afgedankt elektrisch gereedschap gescheiden te worden ingezameld en te worden afgevoerd naar een recycle-bedrijf, dat voldoet aan de geldende milieu-eisen
  - symbool  zal u in het afdankstadium hieraan herinneren
- ! **bescherm de batterij-contacten met stevig plakband voordat ze afgedankt worden, om kortsluiting te voorkomen**


## GELUID / VIBRATIE

- Gemeten in navolging van EN 62841 is het geluidsdrukniveau van deze machine 85,0 dB(A) en het geluidsvermogensniveau 96,0 dB(A) (onzekerheid K = 5 dB), en de trilling \* (triax vector som); onzekerheid K = 1.5 m/s<sup>2</sup>)
  - \* zagen van plank 9,9 m/s<sup>2</sup>
  - \* zagen van houten balken 9,5 m/s<sup>2</sup>
- Het trillingsemisniveau is gemeten in overeenstemming met een gestandaardiseerde test volgens EN 62841; deze mag worden gebruikt om twee machines met elkaar te vergelijken en als voorlopige beoordeling van de blootstelling aan trilling bij gebruik van de machine voor de vermelde toepassingen
  - gebruik van de machine voor andere toepassingen, of met andere of slecht onderhouden accessoires, kan het blootstellingsniveau aanzienlijk **verhogen**
  - wanneer de machine is uitgeschakeld of wanneer deze loopt maar geen werk verricht, kan dit het blootstellingsniveau aanzienlijk **reduceren**
- ! **bescherm uzelf tegen de gevolgen van trilling door de machine en de accessoires te onderhouden, uw handen warm te houden en uw werkwijze te organiseren**

S

## Borstlös, sladdlös tigersåg 3480

### INTRODUKTION

- Det här verktyget är avsett för kapning av trä, plast, metall och konstruktionsmaterial men även för beskärning och kapning av trädgrenar, och är lämplig för rak och kurvig sågning
- Det här verktyget är inte avsett för yrkesmässig användning
- Läs och spara denna instruktionsbok 

### TEKNISKA DATA

## VERKTYGSELEMENT

- A Låsknapp
- B Strömbrytare för till/från och varvtalsreglering
- C Bladfästklämma
- D Pil
- E Handtag
- F Grepp
- G Stållbart stöd
- H Ventilationsöppning
- J Fästbultar
- K Sexkantsnyckel
- L Batteriindikator
- M Lysdiodlampa
- N Knapp för hög hastighet

## SÄKERHET

### ALLMÄNNA SÄKERHETSANVISNINGAR FÖR ELVERKTYG

 **VARNING** Studera alla varningar, anvisningar, bilder och specifikationer gällande säkerhet som medföljer verktyget. Om anvisningarna inte följs kan det resultera i elektriska stötar, brand och/eller allvarliga personskador.

### Förvara alla varningar och anvisningar för framtida bruk.

Nedan använt begrepp "elverktyg" hänförs sig till nätdrivna elverktyg (med nätsladd) och till batteridrivna elverktyg (sladdlösa).

#### 1) ARBETSPLATSSÄKERHET

- a) **Håll arbetsplatsen ren och välbelyst.** Oordning på arbetsplatsen eller dåligt belyst arbetsområde kan leda till olyckor.
- b) **Använd inte elverktyget i explosionsfarlig omgivning med brännbara vätskor, gaser eller damm.** Elverktygen alstrar gnistor som kan antända dammet eller gaserna.
- c) **Håll under arbetet med elverktyget barn och obehöriga personer på betryggande avstånd.** Om du störs av obehöriga personer kan du förlora kontrollen över elverktyget.

#### 2) ELEKTRISK SÄKERHET

- a) **Elverktygets stickpropp måste passa till vägguttaget. Stickproppen får absolut inte förändras. Använd inte adapterkontakter tillsammans med skyddsjordade elverktyg.** Oförändrade stickproppar och passande vägguttag reducerar risken för elektriskt slag.
- b) **Undvik kroppskontakt med jordade ytor som t. ex. rör, värmelement, spisar och kylskåp.** Det finns en större risk för elektriskt slag om din kropp är jordad.
- c) **Skydda elverktyget mot regn och väta.** Trångrer vatten in i ett elverktyg ökar risken för elektriskt slag.
- d) **Missbruka inte nätsladden och använd den inte för att bära eller hänga upp elverktyget och inte heller för att dra stickproppen ur vägguttaget. Håll nätsladden på avstånd från värme, olja, skarpa kanter och rörliga maskindelar.** Skadade eller tilltrasslade ledningar ökar risken för elektriskt slag.

- e) När du arbetar med ett elverktyg utomhus använd endast förlängningssladdar som är godkända för utomhusbruk. Om en lämplig förlängningssladd för utomhusbruk används minskar risken för elektriskt slag.
- f) Använd en jordfelsbrytare om det inte är möjligt att undvika elverktygets användning i fuktig miljö. Genom att använda en jordfelsbrytare minskas risken för elstöt.
- 3) PERSONSÄKERHET**
- a) Var uppmärksam, kontrollera vad du gör och använd elverktyget med förnuft. Använd inte elverktyget när du är trött eller om du är påverkad av droger, alkohol eller mediciner. Under användning av elverktyg kan även en kort uppmärksamhet leda till allvarliga kroppsskador.
- b) Bär alltid personlig skyddsutrustning och skyddsglasögon. Användning av personlig skyddsutrustning som t. ex. dammfiltermask, halkfria säkerhetsskor, skyddshjälm och hörselskydd reducerar alltefter elverktygets typ och användning risken för kroppsskada.
- c) Undvik oavsiktlig igångsättning. Kontrollera att elverktyget är frånkopplat innan du ansluter stickproppen till vägguttaget och/eller ansluter/ tar bort batteriet, tar upp eller bär elverktyget. Om du bär elverktyget med fingret på strömställaren eller ansluter påkopplat elverktyg till nätströmmen kan olycka uppstå.
- d) Ta bort alla inställningsverktyg och skruvnycklar innan du kopplar på elverktyget. Ett verktyg eller en nyckel i en roterande komponent kan medföra kroppsskada.
- e) Överskatta inte din förmåga. Se till att du står stadigt och håller balansen. I detta fall kan du lättare kontrollera elverktyget i oväntade situationer.
- f) Bär lämpliga kläder. Bär inte löst hängande kläder eller smycken. Håll håret och kläderna på avstånd från de rörliga delarna. Löst hängande kläder, smycken och långt hår kan dras in av roterande delar.
- g) Vid elverktyg med dammutsugnings- och uppsamlingsutrustning kontrollera att anordningarna är rätt monterade och används på korrekt sätt. Användning av dammutsugning minskar de risker damm orsakar.
- h) Låt inte vanan att ofta använda verktygen göra att du blir slarvig och ignorerar verktygets säkerhetsprinciper. En vårdslös åtgärd kan leda till allvarlig personskada inom bråkdelen av en sekund.
- 4) OMSORGSFULL HANTERING OCH ANVÄNDNING AV ELVERKTYG**
- a) Överbelasta inte elverktyget. Använd för aktuellt arbete avsett elverktyg. Med ett lämpligt elverktyg kan du arbeta bättre och säkrare inom angivet effektområde.
- b) Ett elverktyg med defekt strömställare får inte längre användas. Ett verktyg som inte kan kopplas in eller ur är farligt och måste repareras.
- c) Dra stickproppen ur vägguttaget och/eller ta bort batteriet, om det kan tas ut ur elverktyget, innan inställningar utförs, tillbehörsdelar byts ut eller elverktyget lagras. Denna skyddsåtgärd förhindrar oavsiktlig inkoppling av elverktyget.
- d) Förvara elverktygen oåtkomliga för barn. Låt elverktyget inte användas av personer som inte är förtrogna med dess användning eller inte läst denna anvisning. Elverktygen är farliga om de används av oerfarna personer.
- e) Underhåll elverktyg och tillbehör omsorgsfullt. Kontrollera att rörliga komponenter fungerar felfritt och inte kärvar, att komponenter inte brustit eller skadats; orsaker som kan leda till att elverktygets funktioner påverkas menligt. Låt skadade delar repareras innan elverktyget återanvänds. Många olyckor orsakas av dåligt skötta elverktyg.
- f) Håll skärverktygen skarpa och rena. Omsorgsfullt skötta skärverktyg med skarpa egg kommer inte så lätt i kläm och går lättare att styra.
- g) Använd elverktyget, tillbehör, insatsverktyg osv. enligt dessa anvisningar. Ta hänsyn till arbetsvillkoren och arbetsmönten. Används elverktyget på icke ändamålsenligt sätt kan farliga situationer uppstå.
- h) Håll handtag och greppytor torra, rena och fria från olja och fett. Hala handtag och greppytor ger ingen säker hantering och kontroll över verktyget i oväntade situationer.
- 5) OMSORGSFULL HANTERING OCH ANVÄNDNING AV SLADDLÖSA ELVERKTYG**
- a) Ladda batterierna endast i de laddare som tillverkaren rekommenderat. Om en laddare som är avsedd för en viss typ av batterier används för andra batterityper finns risk för brand.
- b) Använd endast batterier som är avsedda för aktuellt elverktyg. Används andra batterier finns risk för kroppsskada och brand.
- c) Håll gem, mynt, nycklar, spikar, skruvar och andra små metallföremål på avstånd från reservbatterier för att undvika en bygling av kontaktarna. En kortslutning av batteriets kontakter kan leda till brännskador eller brand.
- d) Om batteriet används på fel sätt finns risk för att vätska rinner ur batteriet. Undvik kontakt med vätskan. Vid oavsiktlig kontakt spola med vatten. Om vätska kommer i kontakt med ögonen uppsök dessutom läkare. Batterivätskan kan medföra hudirritation eller brännskada.
- e) Använd inte batteriet eller verktyg som är skadade eller modifierade. Skadade eller modifierade batterier kan bete sig oväntat vilket leder till brand, explosion eller risk för personskador.
- f) Du ska inte exponera ett batteri eller verktyg för brand eller för hög temperatur. Exponering för brand eller temperaturer över 130°C kan leda till explosion.
- g) Följ alla laddningsinstruktioner och ladda inte batteriet eller verktyget utanför det temperaturomfång som specificeras i instruktionerna. En olämplig laddning eller en laddning vid en temperatur som ligger utanför det specificerade området kan skada batteriet och öka brandrisken.
- 6) SERVICE**
- a) Låt elverktyget repareras endast av kvalificerad fackpersonal och med originalreservdelar. Detta garanterar att elverktygets säkerhet upprätthålls.
- b) Utför aldrig service på skadade batterier. Service på batterier får endast utföras av tillverkaren eller auktoriserade tjänsteleverantörer.

## SÄKERHETSANVISNINGAR FÖR SLADDLÖS TIGERSÅG

- **Håll verktyget i de isolerade greppyrtorna när en åtgärd utförs där sågtillbehöret kan komma i kontakt med dolt kablage** (skärtillbehör som kommer i kontakt med en strömförande ledning kan orsaka att även verktygets exponerade metalldelar blir strömförande, vilket utgör risk för att användaren utsätts för elektriska stötar)
- **Använd klämmor eller något annat praktiskt sätt att säkra och stötta arbetsstycket mot en stabil plattform** (om du håller arbetsstycket i handen eller mot kroppen blir det instabilt, vilket kan leda till att du tappar kontrollen)

### TILLBEHÖR

- SKIL kan endast garantera att maskinen fungerar felfritt om originaltillbehör används
- Använd endast tillbehör vilkas tillåtna varvtal åtminstone motsvarar maskinens högsta tomgångsvarvta

### FÖRE ANVÄNDNINGEN

- Undvik skador genom att ta bort skruvar, spikar eller andra föremål ur arbetsstycket; ta dem bort innan du startar ett arbete
- **Använd lämpliga detektorer för lokalisering av dolda försörjningsledningar eller konsultera lokalt distributionsföretag** (kontakt med elledningar kan förorsaka brand och elstöt; en skadad gasledning kan leda till explosion; borring i vattenledning kan förorsaka saksador eller elstöt)

### PERSONSÄKERHET

- Den här maskinen ska inte användas av personer under 16 år
- **Asbesthaltigt material får inte bearbetas** (asbest anses vara cancerframkallande)
- Viss typ av damm, exempelvis fårg som innehåller bly, vissa träsorter, mineraler och metaller kan vara hälsovådliga om de inhaleras (hudkontakt eller inhalering kan ge allergisk reaktion och/eller luftvägsproblem/sjukdom hos personer i närheten); **använd andningsskydd och arbeta med en dammuppsamlare om sådan anslutning finns**
- Vissa typer av damm är klassificerade så som carcinogena (t.ex. ek- och björkdamm) särskilt i kombination med tillsatser för träbehandling; **använd andningsskydd och arbeta med en dammuppsamlare om sådan anslutning finns**
- Följ de nationella krav, som finns angående damm, för de material du skall arbeta med
- **Håll händerna på avstånd från sågningsområdet och sågbladet; håll andra handen på greppet F ②** (om båda händerna håller i sågen kan du inte skära dig i handen)
- **Sträck dig inte under arbetsstycket** (du ser inte hur nära bladet din hand kommer)
- **Håll inte stycket som ska sågas i händerna eller över benet** (det är viktigt att arbetsstycket stöds på rätt sätt så att kroppen inte utsätts för fara, sågbladet kör fast eller du förlorar kontrollen över sågen)
- **Använd inte ett slött eller skadat sågblad** (ett böjt blad kan lätt brytas eller orsaka kast)
- **Använd skyddshandskar när du lossar bladet från maskinen** (bladet kan vara varmt efter längre användning)
- Använd skyddsglasögon och hörselskydd

### BATTERIERNA

- **Det medföljande batteriet är delvis laddat** (i syfte att

garantera batteriets fulla kapacitet ska det laddas helt och hållet i batteriladdaren innan verktyget används för första gången)

- **Använd endast följande batterier och laddare med det här verktyget**
  - SKIL-batteri: BR1\*31\*\*\*\*
  - SKIL-laddare: CR1\*31\*\*\*\*
- Använd inte batteriet om det är skadat; det ska bytas ut
- Demontera inte batteriet
- Utsätt inte verktyget/batteriet för regn
- Tillåten omgivningstemperatur (verktyg/laddare/batteri):
  - vid laddning 4...40°C
  - vid drift -20...+50°C
  - vid förvaring -20...+50°C

### FÖRKLARING AV SYMBOLER PÅ VERKTYGET/ BATTERIET

- ③ Läs bruksanvisningen före användning
- ④ Batterierna kan explodera om de utsätts för eld, undanhåll batterierna från heta källor
- ⑤ Förvara maskinen/laddaren/batteriet i lokaler, där temperaturen inte överstiger 50°C
- ⑥ Elektriska verktyg och batterier får inte kastas i hushållssoporna

## ANVÄNDNING

- Laddning av batteri
- **! läs säkerhetsvarningarna och anvisningarna som levereras med laddaren**
- Ta bort/sätta i batteriet ②
- Batteriindikator ⑦
  - tryck på indikatorknappen L för batterinivå för att visa aktuell batterinivå ⑦a
  - **! när batteriindikatorns lägsta nivå börjar att blinka efter att knappen L ⑦b tryckts in, är batteriet tomt**
  - **! när batteriindikatorns lägsta nivåer 2 börjar blinka efter knappen L ⑦c tryckts in, är batteriet inte inom tillåtet drifttemperaturområde**
- Lysdiodlampa ⑧
  - Lysdiodlampa tänds automatiskt när till/från-strömbrytaren aktiveras
  - **! när lysdiodlampan börjar att blinka, är batteriskyddet aktiverat (se nedan)**
- Batteriskydd
  - Verktyget stängs plötsligt av eller förhindras att startas när
    - **belastningen är för hög** --> ta bort belastning och starta om
    - **batteriets temperatur över- eller underskrider arbetsområdet -20 till +50°C** --> batteriindikatorns nivåer 2 börjar blinka när knappen L ⑦c trycks in; vänta tills batteriet återigen är inom tillåtet drifttemperaturområde
    - **batteriet är nästan tomt (för att skydda fullständig urladdning)** --> en låg batterinivå eller blinkande låg batterinivå ⑦b visas av batteriindikatorn när knappen L trycks på; ladda batteriet
  - **! fortsätt inte trycka på till/frånknappen efter att verktyget stängts av automatiskt; batteriet kan skadas**
- Kombinerad strömbrytare för till/från och varvtalesreglering med låsknapp ⑨ ⑩
  - lås upp först genom att trycka på knappen A
  - starta maskinen genom att trycka in avtryckaren B

- variera hastigheten steglöst från noll till maximum genom att trycka mer eller mindre på avtryckaren
- stång av genom att släppa avtryckaren B
- låsknappen A kan aktiveras<sup>9</sup>
  - om den aktiveras blockeras till/från-brytaren och maskinen säkras mot oavsiktlig påslagning
- Montering av sågbladet<sup>11</sup>
  - ! ta ut batteriet ur maskinen innan du gör några justeringar eller byter tillbehör**
  - vrid bladfastklämman C i samma riktning som pilen D på verktyget och håll den i detta läge
  - för in bladet helt (med tänderna nedåt eller uppåt)
  - släpp bladfastklämman C
  - tryck på och dra ut bladet, för att kontrollera att det sitter ordentligt
- Borttagning av sågbladet<sup>11</sup>
  - ! ta ut batteriet ur maskinen innan du gör några justeringar eller byter tillbehör**
  - vrid bladfastklämman C i samma riktning som pilen D på verktyget och håll den i detta läge
  - dra ut bladet
  - släpp bladfastklämman C
- Ökat varvtal för snabb sågning<sup>12</sup>
  - för snabbare sågningshastighet, använd knappen N enligt illustrationen
  - ! använd inte den högre sågningshastigheten för skåring i metall**
- Användning av maskinen
  - ! läs fast arbetsstycket på säkert sätt**
  - rita en såglinje på arbetsstycket
  - montera batteriet på verktyget
  - håll maskinen med ena handen på handtaget E och den andra på det isolerade greppet F
  - starta maskinen
  - styr maskinen längs den uppritade såglinjen
  - håll stödet G stadigt tryckt mot arbetsstycket, för att minimera motkrafter och vibration
- Fattning och styrning av maskinen
  - ! under arbetet, håll alltid verktyget i det grå greppet<sup>13</sup>**
  - håll ventilationsöppningarna H ej övertäckta
  - lägg inte för mycket tryck på verktyget; låt verktyget göra arbetet åt dig
  - ! kontrollera att bladet sticker ut på arbetsstyckets bortsida under hela slaget<sup>14</sup>**
- Justera effektivt sågdjup<sup>15</sup>
  - ! ta ut batteriet ur maskinen innan du gör några justeringar eller byter tillbehör**
  - använd sexkantsnyckeln K för att lossa och dra åt båda fästbultarna J
  - skjut fotplattan G framåt/bakåt i syfte att öka/minska det effektiva sågdjupet

## ANVÄNDNINGSTIPS

- Instickssågning<sup>16</sup>
  - Det går att instickssåga i trä och andra mjuka material utan att förborra instickshål
  - använd ett tjockare sågblad
  - ! ta ut batteriet ur maskinen innan du gör några justeringar eller byter tillbehör**
  - monter bladet med tänderna uppåt
  - rita en såglinje på arbetsstycket
  - luta maskinen så att bladet inte rör vid arbetsstycket

- starta maskinen och för försiktigt det arbetande sågbladet i kontakt med arbetsstycket
- när sågbladet gått igenom arbetsstycket, fortsätter du att såga längs såglinjen
- ! Instickssåga inte i metallmaterial**
- Använd rätt sågblad<sup>17</sup>
- För sågning i metall, olja in sågbladet regelbundet
- Splinterfri sågning
  - täck snittlinjen med flera lager av breda tejp innan du börjar såga
  - lägg alltid den finaste sidan av arbetsstycket nedåt
- Besök [www.skil.com](http://www.skil.com) för mer information

## UNDERHÅLL / SERVICE

- Det här verktyget är inte avsedd för yrkesmässig användning
- Håll alltid verktyget rent (i synnerhet ventilationsöppningarna H<sup>2</sup>)
- ! ta bort batteriet från verktyget före rengöring**
- Om i elverktyget trots exakt tillverkning och sträng kontroll störning skulle uppstå, bör reparation utföras av auktoriserad serviceverkstad för SKIL elverktyg
  - sänd in verktyget i **odemonterat skick** tillsammans med inköpsbevis till försäljaren eller till närmaste SKIL serviceverkstad (adresser till servicestationer och sprängskisser av maskiner finns på [www.skil.com](http://www.skil.com))
- Observera att skada till följd av ovarsamhet eller överbelastning inte täcks av garantin (för SKIL garantivillkor gå till [www.skil.com](http://www.skil.com) eller fråga återförsäljaren)

## MILJÖ

- **Elektriska verktyg, batterier, tillbehör och förpackning får inte kastas i hushållssoporna** (gäller endast EU-länder)
  - enligt direktivet 2012/19/EG som avser äldre elektrisk och elektronisk utrustning och dess tillämpning enligt nationell lagstiftning ska uttjänta elektriska verktyg sorteras separat och lämnas till miljövänlig återvinning
  - symbolen <sup>6</sup> kommer att påminna om detta när det är tid att kassera
- ! före avyttring av batterierna, tejsa kontaktytorna med kraftig tejp för att undvika kortslutning**

## LJUD / VIBRATION

- Det här verktygets ljudtrycksnivå som mätts enligt EN 62841 är 85,0 dB(A), ljudeffektnivån är 96,0 dB(A) (osäkerhet K = 5 dB) och vibrationen \* (triax vektorsumma; osäkerhet K = 1,5 m/s<sup>2</sup>)
  - \* sågning av brädor 9,9 m/s<sup>2</sup>
  - \* sågning av träbalk 9,5 m/s<sup>2</sup>
- Vibrationsemissionsvärdet har uppmätts enligt ett standardiserat test i enlighet med EN 62841; detta värde kan användas för att jämföra vibrationen hos olika verktyg och som en ungefärlig uppskattning av hur stor vibration användaren utsätts för när verktyget används enligt det avsedda syftet
  - om verktyget används på ett annat än det avsedda syftet eller med fel eller dåligt underhållna tillbehör kan detta drastiskt **öka** vibrationsnivån
  - när verktyget stängs av eller är på men inte används, kan detta avsevärt **minska** vibrationsnivån

! skydda dig mot vibration genom att underhålla verktyget och dess tillbehör, hålla händerna varma och styra upp ditt arbetssätt

DK

## Børsteløs trådløs bajonetsav 3480

### INLEDNING

- Dette værktøj er beregnet til savning af træ, plastik, metal og byggematerialer såvel som til beskæring af træ; desuden er det også egnet til lige og buedeformede snit
- Dette værktøj er ikke beregnet til professionelt brug
- Læs og gem denne betjeningsvejledning ③

### TEKNISKE DATA ①

### VÆRKTØJETS DELE ②

- A Låseknop
- B Afbryder til tænd/sluk og regulering af omdrejningstal
- C Klingeklemme
- D Pil
- E Håndtag
- F Tøndeformet greb
- G Justerbar fodplade
- H Ventilationshuller
- J Fastgørelsesbolte
- K Sekskantnøgle
- L Indikator for batteritilstand
- M LED-lys
- N Kontakt til rundskæring

### SIKKERHED

#### GENERELLE SIKKERHEDSINSTRUKSER FOR EL-VÆRKTØJ

**⚠ ADVARSEL** Læs alle sikkerhedsadvarsler, instruktioner, illustrationer og specifikationer, der leveres med dette elektriske værktøj. Hvis alle instruktioner opført herunder ikke følges, kan det medføre elektrisk stød, brand og/eller alvorlige kvæstelser.

**Gem alle advarsler og instruktioner til senere brug.**

Begrebet "elværktøj" i advarselne refererer til elværktøj, der kører på lysnettet (med netkabel) samt batteridrevet værktøj (uden netkabel).

#### 1) SIKKERHED PÅ ARBEJDSPLADSEN

- Sørg for, at arbejdsområdet er rent og ryddeligt.** Uorden eller uoplyste arbejdsområder øger faren for ulykke.
- Brug ikke elværktøjet i eksplosionstruede omgivelser, hvor der er brændbare væsker, gasser eller støv.** Elværktøj kan slå gnister, der kan antænde støv eller dampe.
- Sørg for, at andre personer og ikke mindst børn holdes væk fra arbejdsområdet, når el-værktøjet er i brug.** Hvis man distraheres, kan man miste kontrollen over elværktøjet.

#### 2) ELEKTRISK SIKKERHED

- Elværktøjets stik skal passe til kontakten. Stikket må under ingen omstændigheder ændres. Brug ikke adapterstik sammen med jordforbundet elværktøj.** Uændrede stik, der passer til kontakterne, nedsætter risikoen for elektrisk stød.
  - Undgå kropskontakt med jordforbundne overflader som f.eks. rør, radiatorer, komfurer og køleskabe.** Hvis din krop er jordforbundet, øges risikoen for elektrisk stød.
  - Elværktøjet må ikke udsættes for regn eller fugt.** Indtrængning af vand i et elværktøj øger risikoen for elektrisk stød.
  - Brug ikke ledningen til formål, den ikke er beregnet til. Du må aldrig bære elværktøjet i ledningen, hænge elværktøjet op i ledningen eller rykke i ledningen for at trække stikket ud af kontakten. Beskyt ledningen mod varme, olie, skarpe kanter eller maskindele, der er i bevægelse.** Beskadigede eller indviklede ledninger øger risikoen for elektrisk stød.
  - Hvis elværktøjet benyttes i det fri, må der kun benyttes en forlængerledning, der er egnet til udendørs brug.** Brug af forlængerledning til udendørs brug nedsætter risikoen for elektrisk stød.
  - Hvis det ikke kan undgås at bruge elværktøjet i fugtige omgivelser, skal der bruges et HFI-relæ.** Brug af et HFI-relæ reducerer risikoen for at få elektrisk stød.
- #### 3) PERSONLIG SIKKERHED
- Det er vigtigt at være opmærksom, se, hvad man laver, og bruge el-værktøjet fornuftigt. Brug ikke noget el-værktøj, hvis du er træt, har nydt alkohol eller er påvirket af medikamenter eller euforiserende stoffer.** Få sekunders uopmærksomhed ved brug af el-værktøjet kan føre til alvorlige personskader.
  - Brug beskyttelsesudstyr og hav altid beskyttelsesbriller på.** Brug af sikkerhedsudstyr som f.eks. støvmaske, skridsikket fodtøj, beskyttelseshjelm eller høreværn afhængig af maskintype og anvendelse nedsætter risikoen for personskader.
  - Undgå utilsigtet igangsætning. Kontrollér, at el-værktøjet er slukket, før du tilslutter det til strømtilførslen og/eller akkuen, løfter eller bærer det.** Undgå at bære el-værktøjet med fingeren på afbryderen og sørg for, at el-værktøjet ikke er tændt, når det slutes til nettet, da dette øger risikoen for personskader.
  - Gør det til en vane altid at fjerne indstillingsværktøj eller skruenøgle, før el-værktøjet tændes.** Hvis et stykke værktøj eller en nøgle sidder i en roterende maskindel, er der risiko for personskader.
  - Undgå en unormal legemsposition. Sørg for at stå sikkert, mens der arbejdes, og kom ikke ud af balance.** Dermed har du bedre muligheder for at kontrollere el-værktøjet, hvis der skulle opstå uventede situationer.
  - Brug egnet arbejdstøj. Undgå løse bekædningsgenstande eller smykker. Hold hår og tøj væk fra dele, der bevæger sig.** Dele, der er i bevægelse, kan gribe fat i løstsiddende tøj, smykker eller langt hår.
  - Hvis støvsugnings- og opsamlingsudstyr kan monteres, er det vigtigt, at dette tilsluttes og benyttes korrekt.** Brug af en støvsugning kan

reducere støvmængden og dermed den fare, der er forbundet støv.

- h) **Selvom du kender værktøjet godt og er vant til at bruge det, skal du alligevel være opmærksom og overholde sikkerhedsanvisningerne.** Et øjeblikvis uopmærksomhed kan medføre alvorlige personskader.
- 4) **OMHYGGELIG OMGANG MED OG BRUG AF EL-VÆRKTØJ**
- a) **Undgå overbelastning af el-værktøjet. Brug altid et el-værktøj, der er beregnet til det stykke arbejde, der skal udføres.** Med det passende el-værktøj arbejder man bedst og mest sikkert inden for det angivne effektområde.
- b) **Brug ikke et el-værktøj, hvis afbryder er defekt.** Et el-værktøj, der ikke kan startes og stoppes, er farlig og skal repareres.
- c) **Træk stikket ud af stikkontakten og/eller fjern akkuen, hvis den er aftagelig, før maskinen indstilles, før skift af tilbehørsdele eller før el-værktøjet lægges til opbevaring.** Disse sikkerhedsforanstaltninger forhindrer utilsigtet start af el-værktøjet.
- d) **Opbevar ubenyttet el-værktøj uden for børns rækkevidde. Lad aldrig personer, der ikke er fortrolige med el-værktøjet eller ikke har gennemlæst disse instrukser, benytte el-værktøjet.** El-værktøj er farligt, hvis det benyttes af ukyndige personer.
- e) **Vedligehold el-værktøj og tilbehørsdele. Kontroller, om bevægelige maskindele fungerer korrekt og ikke sidder fast, og om delene er brækket eller beskadiget, således at el-værktøjets funktion påvirkes. Få beskadigede dele repareret, inden el-værktøjet tages i brug.** Mange uheld skyldes dårligt vedligeholdte el-værktøjer.
- f) **Sørg for, at skæreværktøjer er skarpe og rene.** Omhyggeligt vedligeholdte skæreværktøjer med skarpe skærekanter sætter sig ikke så hurtigt fast og er nemmere at føre.
- g) **Brug el-værktøj, tilbehør, indsatsværktøj osv. iht. disse instrukser. Tag hensyn til arbejdsforholdene og det arbejde, der skal udføres.** Anvendelse af el-værktøjet til formål, som ligger uden for det fastsatte anvendelsesområde, kan føre til farlige situationer.
- h) **Hold håndtag og gribeblader tørre, rene og fri for olie og smørefedt.** Hvis håndtag og gribeblader er glatte, kan værktøjet ikke håndteres og styres sikkert, hvis der sker noget uventet.
- 5) **OMHYGGELIG OMGANG MED OG BRUG AF AKKU-VÆRKTØJER**
- a) **Oplad kun akkuer i ladeaggregater, der er anbefalet af fabrikanten.** Et ladeaggregat, der er egnet til en bestemt type akkuer, må ikke benyttes med andre akkuer - brandfare.
- b) **Brug kun de akkuer, der er beregnet til værktøjet.** Brug af andre akkuer øger risikoen for personskader og er forbundet med brandfare.
- c) **Ikke benyttede akkuer må ikke komme i berøring med kontorclips, mønter, nøgler, som, skruer eller andre små metalgenstande, da disse kan kortslutte kontakterne.** En kortslutning mellem akku-kontakterne øger risikoen for personskader i form af forbrændinger.
- d) **Hvis akkuen anvendes forkert, kan der slippe væske ud af akkuen. Undgå at komme i kontakt med denne**

**væske. Hvis det alligevel skulle ske, skylles med vand. Søg læge, hvis væsken kommer i øjnene.**

- Akkuvæske kan give hudirritation eller forbrændinger.
- e) **Brug ikke akkuer eller værktøj, som er beskadiget eller modificeret.** Beskadigede eller modificerede akkuer kan opføre sig uforudsigeligt og forårsage brand, eksplosion eller fare for personskade.
- f) **Akkuer eller værktøj må ikke udsættes for ild eller meget høje temperaturer.** Ild eller temperaturer over 130°C kan medføre eksplosion.
- g) **Følg alle instruktioner for opladning. Akkuen må ikke oplades ved temperaturer uden for det område, der er angivet i instruktionerne.** Forkert opladning eller opladning ved temperaturer uden for det angivne område kan medføre skader på akkuen og forøge brandfaren.
- 6) **SERVICE**
- a) **Sørg for, at el-værktøj kun repareres af kvalificerede fagfolk og at der kun benyttes originale reservedele.** Dermed sikres størst mulig maskinsikkerhed.
- b) **Beskadigede akkuer må aldrig repareres.** Reparation af akkuer må kun udføres af producenten eller autoriserede reparatører.

## SIKKERHEDSINSTRUKSER FOR AKKU BAJONETSAVE

- **Hold elværktøjet i de isolerede gribeblader, når der udføres arbejde, hvor skæreindsatsværktøjet kan ramme skjulte ledninger** (kontakt med en spændingsførende ledning sætter også elværktøjets metaldele under spænding, hvilket fører til elektrisk stød)
- **Brug klemmer eller en anden praktisk måde til at fastgøre og støtte arbejdsemnet på en stabil platform** (hvis du holder arbejdsemnet i hånden eller mod kroppen, kan du miste kontrol over værktøjet)

## TILBEHØR

- SKIL kan kun sikre en korrekt funktion af værktøjet, hvis der benyttes originalt tilbehør
- Der må kun benyttes tilbehør, hvis godkendte omdrejningstal er mindst så højt som værktøjets max. omdrejningstal i ubelastet tilstand

## INDEN BRUG

- Undgå skader forårsaget af skruer, søm eller andre materialer i arbejdsstykket; fjern disse før De begynder at arbejde
- **Anvend egne dede søgeinstrumenter til at finde frem til skjulte forsyningsledninger eller kontakt det lokale forsyningselskab** (kontakt med elektriske ledninger kan føre til brand og elektrisk stød; beskadigelse af en gasledning kan føre til eksplosion; brud på et vandør kan føre til materiel skade eller elektrisk stød)

## PERSONLIG SIKKERHED

- Dette værktøj må ikke bruges af personer under 16 år
- **Arbejd ikke asbestholdigt materiale** (asbest er kræftfremkaldende)
- Støv fra materiale som f.eks. maling, der indeholder bly, nogle træsorter, mineraler og metal kan være skadeligt (kontakt med eller indånding af støvet kan forårsage allergiske reaktioner og/eller sygdomme i luftvejene hos den, der anvender værktøjet, eller hos omkringstående); **bær en støvmaske og arbejd med en støvudsugningsanordning, hvor en sådan kan sluttes til**
- Visse slags støv er klassificeret som kræftfremkaldende (som f.eks. støv fra eg og bøg) især i forbindelse med tilsætningsstoffer til træbehandling; **bær en støvmaske**

## og arbejde med en støvudsugningsanordning, hvor en sådan kan sluttes til

- Følg de nationale krav, hvad angår støv, for de materialer, du ønsker at arbejde med
- **Hold hænderne væk fra skæreområdet og savklingen; tag fat om det tøndeformede greb F ②** (hvis begge hænder holder fast i saven, kan de ikke blive beskadiget af savklingen)
- **Stik ikke hånden ind under arbejdsemnet** (afstanden mellem klingens og hånden er ikke synlig)
- **Hold aldrig arbejdsemnet, som skal saves, i hænderne eller hen over et ben** (det er vigtigt at understøtte arbejdsemnet korrekt for at minimere kontakt med kroppen, undgå at savklingen sætter sig fast eller at De mister kontrol over saven)
- **Anvend aldrig en sløv eller beskadiget savklinge** (bøjede klinger kan let knække eller forårsage tilbageslag)
- **Brug beskyttelseshandsker, når du tager savklingen ud af værktøjet** (savklingen kan være varm, hvis værktøjet har været i brug i længere tid)
- Brug beskyttelsesbriller og høreværn

## BATTERIERNE

- **Det medfølgende batteri er delvist opladet** (for at sikre fuld kapacitet af batteriet skal det oplades helt i batteriopladeren, inden du anvender dit elværktøj første gang)
- **Anvend kun de følgende batterier og batteriopladere, der leveres med dette værktøj**
  - SKIL-batteri: BR1\*31\*\*\*\*
  - SKIL-oplader: CR1\*31\*\*\*\*
- Brug ikke batteriet, hvis det er beskadiget. Det skal udskiftes
- Adskil ikke batteriet
- Udsæt ikke værktøjet/batteriet for regn
- Tilladt omgivelsestemperatur (værktøj/oplader/batteri):
  - ved opladning 4...40°C
  - ved drift -20...+50°C
  - ved opbevaring -20...+50°C

## FORKLARING TIL SYMBOLERNE PÅ VÆRKTØJET/ BATTERI

- ③ Læs instruktionen inden brugen
- ④ Batterier vil eksplodere, hvis de kommer i ild, så forsøg aldrig at brænde batteriet
- ⑤ Opbevar værktøj/opladeren/batteriet i et lokale, hvor temperaturen ikke overstiger 50°C
- ⑥ Elværktøj og batterier må ikke bortskaffes som almindeligt affald

## BETJENING

- Opladning af batteriet  
**! læs sikkerhedsadvarselne og -anvisningerne, der følger med opladeren**
- Afmontering/montering af batteriet ②
- Indikator for batteritilstand ⑦
  - tryk på indikatorknappen for batteriniveau L for at se batteriets aktuelle status ⑦a
  - ! batteriet er fladt, hvis den nederste statusindikator begynder at blinke, efter at der er blevet trykket på L ⑦b**
  - ! hvis 2 niveauer for batteriindikatoren begynder at blinke, efter at der er blevet trykket på knappen L ⑦c, er batteriet ikke i det temperaturområde, hvor betjening er tilladt**

- LED-lampe ⑧  
LED-lyset tændes automatisk, når Tænd/Sluk-kontakten aktiveres  
**! når LED-lyset begynder at blinke, aktiveres batteribeskyttelsen (se nedenfor)**
- Batteribeskyttelse  
Værktøjet slukker med det samme eller forhindrer at blive startet, hvis
  - belastningen er for stor --> fjern belastning og genstart
  - batteritemperaturen ikke er inden for det tilladte driftstemperaturområde fra -20 til +50°C --> 2 niveauer for batteriindikatoren begynder at blinke, efter at der er blevet trykket på knappen L ⑦c; vent, indtil batteriet er vendt tilbage til det tilladte driftstemperaturområde
  - batteriet er næsten tomt (for at beskytte mod dyb afladning) --> et lavt batteriniveau eller et lavt batteriniveau, hvor indikatoren blinker ⑦b vises af batteriindikatoren, hvis der trykkes på knappen L; oplad batteri
- **! undlad at betjene kontakten, efter at der er slukket for værktøjet, da det kan beskadige batteriet**
- Kombineret afbryder for tænd/sluk og hastighedsstyring med låseknop ⑨ ⑩
  - lås først op ved at trykke på knappen A
  - start værktøj ved at trække aftrækker B
  - kontroller hastigheden trinløst fra nul til maks. hastighed ved at trykke mere eller mindre på afbryderen
  - sluk ved at slippe udløseren B
- Låseknappen A kan aktiveres ⑨
  - hvis den aktiveres, blokerer tænd-/slukaftbryderen, og maskinen sikres imod utilsigtet start
- Montering af savklinge ⑪  
**! fjern batteriet fra værktøjet, før du foretager justeringer på værktøjet eller udskifter tilbehør**
  - drej klingeclommen C i samme retning som pilen D på værktøjet og hold den i denne position
  - sæt savklingen i helt (med tænderne opad eller nedad)
  - slip klingeclommen C
  - skub savklingen i og træk den ud for at kontrollere, at den er korrekt låst
- Afmontering af savklinge ⑪  
**! fjern batteriet fra værktøjet, før du foretager justeringer på værktøjet eller udskifter tilbehør**
  - drej klingeclommen C i samme retning som pilen D på værktøjet og hold den i denne position
  - træk savklingen ud
  - slip klingeclommen C
- Rundskæring til hurtig savning ⑫
  - for at aktivere savens funktion til rundskæring skal man bruge kontakten N som vist på illustrationen
  - ! aktiver ikke funktionen til rundskæring ved savning i metal**
- Betjening af værktøjet  
**! sørg for at spænde arbejdsemnet godt fast**
  - afmærk skærelinjen på arbejdsemnet
  - monter batteriet på værktøjet
  - hold værktøjet med den ene hånd på håndtag E og læg den anden hånd på den isolerede gribeflade F
  - tænd værktøjet
  - før værktøjet langs den afmærkede skærelinje
  - sørg for at holde fodplade G tæt mod arbejdsemnet for at minimere modkraft og vibrationer
- Håndtering og styring af værktøjet  
**! under arbejde, hold altid om værktøjet på de grå markerede grebsområde(r) ⑬**

- hold ventilationshullerne H utildækkede
- pres ikke for hårdt med værktøjet; lad værktøjet gøre arbejdet for dig

**! kontroller, at savklingen rækker ud over arbejdsemnet under hele slaglængden** <sup>(14)</sup>

- Justering af den effektive savdybde <sup>(15)</sup>
- ! fjern batteriet fra værktøjet, før du foretager justeringer på værktøjet eller udskifter tilbehør
- brug sekskantnøglen K til at løsne og fastgøre begge fastgøringsbolte J
- skub fodpladen G frem eller tilbage for at øge/reducere den effektive savdybde

## GODE RÅD

- Dyksavning <sup>(16)</sup>  
Indstiksskæringer kan laves i træ eller lignende bløde materialer uden at bore et hul først
- brug en tyk savklinge
- ! fjern batteriet fra værktøjet, før du foretager justeringer på værktøjet eller udskifter tilbehør
- monter savklingen således, at tænderne peger opad
- afmærk den ønskede skærelinje på arbejdsemnet
- skråstil værktøjet, således at savklingen ikke berører arbejdsemnet
- tænd værktøjet og sæt forsigtigt den bevægende savklinge i arbejdsemnet
- når savklingen er trængt ind i arbejdsemnet fortsæt med at sav langs den afmærkede skærelinje
- ! lav ikke indstiksskæringer i materialer af metal
- Brug rigtige savklinger <sup>(17)</sup>
- Ved savning i metal, sørg for at smøre savklingen jævnlig med olien
- Splintfri savning
- dæk snitlinien med flere lager af bredt tape før De begynder at save
- læg altid den pæneste side af arbejdsemnet nedad
- Se yderligere oplysninger på [www.skil.com](http://www.skil.com)

## VEDLIGEHOVELSE/SERVICE

- Dette værktøj er ikke beregnet til professionelt brug
- Hold altid værktøjet rent (især ventilationshuller H <sup>(2)</sup>)
- ! tag batteriet ud af værktøjet inden rengøring
- Skulle elværktøjet trods omhyggelig fabrikation og kontrol skulle holde op med at fungere, skal reparationen udføres af et autoriseret serviceværksted for SKIL-elektroværktøj
- send det **ikke adskilte** værktøj sammen med et købsbevis til forhandleren eller nærmeste SKIL-serviceværksted (adresser og reservedelstegning af værktøjet findes på [www.skil.com](http://www.skil.com))
- Husk, at beskadigelse som følge af overbelastning eller forkert håndtering af værktøjet ikke er omfattet af garantien (se [www.skil.com](http://www.skil.com) vedrørende SKIL-garantibetingelserne, eller spørg din forhandler)

## MILJØ

- **Elværktøj, batterier, tilbehør og emballage må ikke bortskaffes som almindeligt affald** (kun for EU-lande)
- i henhold til det europæiske direktiv 2012/19/EF om bortskaffelse af elektriske og elektroniske produkter og gældende national lovgivning, skal brugt elværktøj indsamles separat og bortskaffes på en måde, der skåner miljøet mest muligt
- symbolet <sup>(8)</sup> erindrer dig om dette, når udskiftning er nødvendig

**! beskyt batteri terminaler med bredt tape for at undgå kortslutning**

## STØJ / VIBRATION

- Målt i henhold til EN 62841 er lydtryksniveauet for dette værktøj 85,0 dB(A) og lydeffektniveauet 96,0 dB(A) (usikkerhed K = 5 dB), og vibrationen \* (triax vector sum; usikkerhed K = 1.5 m/s<sup>2</sup>)
- \* skæring af brædder 9,9 m/s<sup>2</sup>
- \* savning af træbjælke 9,5 m/s<sup>2</sup>
- Vibrationsniveauet er målt i henhold til den standardiserede test som anført i EN 62841. Det kan benyttes til at sammenligne to stykker værktøj og som en foreløbig bedømmelse af udsættelsen for vibrationer, når værktøjet anvendes til de nævnte form
- anvendes værktøjet til andre formål eller med andet eller dårligt vedligeholdt tilbehør, kan dette **øge** udsættelsesniveauet betydeligt
- de tidsrum, hvor værktøjet er slukket, eller hvor det kører uden reelt at udføre noget arbejde, kan **reducere** udsættelsesniveauet betydeligt
- ! **beskyt dig selv imod virkningerne af vibrationer ved at vedligeholde værktøjet og dets tilbehør, ved at holde dine hænder varme og ved at organisere dine arbejdsmønstre**

N

## Børsteløs og trådløs bajonettsag

3480

## INTRODUKSJON

- Dette værktøjet er beregnet på saging av tre, plast, metall og byggematerialer samt for beskæring og trimming av træ; det egner seg for rett og kurvet saging
- Dette værktøjet er ikke beregnet på professionell bruk
- Les og ta vare på denne brukerveiledningen <sup>(3)</sup>

## TEKNISKE DATA <sup>(1)</sup>

## VERKTØYELEMENTER <sup>(2)</sup>

- A Låseknapp
- B Bryter til av/på og turtallsregulering
- C Bladklemme
- D Pil
- E Håndtak
- F Tønnegrep
- G Justerbar fotplate
- H Ventilasjonsåpninger
- J Festebolter
- K Sekskantnøkkel
- L Batterinivåindikator
- M LED-Lampe
- N Bryter for rotasjonsbevegelse

## SIKKERHET

### GENERELLE ADVARSLER FOR ELEKTROVERKTØY

**⚠ ADVARSEL** Les alle sikkerhetsadvarsler, instruksjoner, illustrasjoner og spesifikasjoner som følger med dette elektroverktøyet. Hvis du unnlater å



følge noen av instruksjonene som er listet opp ovenfor, kan det føre til elektrisk støt, brann og/eller alvorlige personskader.

### **Ta godt vare på alle advarslene og informasjonene.**

Det nedenstående anvendte uttrykket "elektroverktøy" gjelder for strømndrevne (med ledning) og batteridrevne elektroverktøy (uten ledning).

#### **1) SIKKERHET PÅ ARBEIDSPLASSEN**

- a) **Hold arbeidsområdet rent og ryddig.** Rotete arbeidsområder eller arbeidsområder uten lys kan føre til ulykker.
- b) **Ikke arbeid med elektroverktøyet i eksplosjonsfarlige atmosfærer – der det befinner seg brennbare væsker, gass eller støv.** Elektroverktøy lager gnister som kan antenne støv eller damper.
- c) **Hold barn og andre personer unna når elektroverktøyet brukes.** Hvis du blir forstyrret under arbeidet, kan du miste kontrollen over elektroverktøyet.

#### **2) ELEKTRISK SIKKERHET**

- a) **Støpselet til elektroverktøyet må passe inn i stikkontakten. Støpselet må ikke forandres på noen som helst måte. Ikke bruk adapterstøpsler sammen med jordede maskiner.** Bruk av støpsler som ikke er forandret på og passende stikkontakter reduserer risikoen for elektriske støt.
- b) **Unngå kroppskontakt med jordede overflater slik som rør, ovner, komfyrer og kjøleskap.** Det er større fare ved elektriske støt hvis kroppen din er jordet.
- c) **Hold elektroverktøyet unna regn eller fuktighet.** Dersom det kommer vann i et elektroverktøy, øker risikoen for elektriske støt.
- d) **Ikke bruk ledningen til andre formål, f.eks. til å bære elektroverktøyet, henge den opp eller trekke den ut av stikkontakten. Hold ledningen unna varme, olje, skarpe kanter eller maskindeler som beveger seg.** Med skadede eller opphopede ledninger øker risikoen for elektriske støt.
- e) **Når du arbeider utendørs med et elektroverktøy, må du kun bruke en skjøteledning som er godkjent til utendørs bruk.** Når du bruker en skjøteledning som er egnet for utendørs bruk, reduseres risikoen for elektriske støt.
- f) **Hvis det ikke kan unngås å bruke elektroverktøyet i fuktige omgivelser, må du bruke en jordfeilbryter.** Bruk av en jordfeilbryter reduserer risikoen for elektriske støt.

#### **3) PERSONSIKKERHET**

- a) **Vær oppmerksom, pass på hva du gjør, gå fornuftig frem når du arbeider med et elektroverktøy. Ikke bruk elektroverktøyet når du er trett eller er påvirket av narkotika, alkohol eller medikamenter.** Et øyeblikks uoppmerksomhet ved bruk av elektroverktøyet kan føre til alvorlige skader.
- b) **Bruk personlig verneutstyr og husk alltid å bruke vernebrillor.** Bruk av personlig sikkerhetsutstyr som støvmaske, skilfaste arbeidssko, hjelm eller hørselvern – avhengig av type og bruk av elektroverktøyet – reduserer risikoen for skader.
- c) **Unngå å starte verktøyet ved en feiltagelse. Forviss deg om at elektroverktøyet er slått av før du kobler**

**det til strømmen og/eller batteriet, løfter det opp eller bærer det.** Hvis du holder fingeren på bryteren når du bærer elektroverktøyet eller kobler elektroverktøyet til strømmen i innkoblet tilstand, kan dette føre til uhell.

- d) **Fjern innstillingsverktøy eller skrunøkler før du slår på elektroverktøyet.** Et verktøy eller en nøkkel som befinner seg i en roterende maskindel, kan føre til skader.
  - e) **Ikke overvurder deg selv. Sørg for å stå stødig og i balanse.** Dermed kan du kontrollere elektroverktøyet bedre i uventede situasjoner.
  - f) **Bruk alltid egnede klær. Ikke bruk vide klær eller smykker. Hold hår og klær unna deler som beveger seg.** Løstsittende tøy, smykker eller langt hår kan komme inn i deler som beveger seg.
  - g) **Hvis det kan monteres støvavsug- og oppsamlingsinnretninger, må du forviss deg om at disse er tilkoblet og brukes på korrekt måte.** Bruk av et støvavsug reduserer faren på grunn av støv.
  - h) **Selv når du er blitt vant til verktøyet, må du ikke bli sløv og ignorere sikkerhetsreglene for verktøyet.** En uforutsiktlig handling kan forårsake alvorlig personskade i løpet av et brøkdels sekund.
- #### **4) AKTSOM HÅNTERING OG BRUK AV ELEKTROVERKTØY**
- a) **Ikke overbelast elektroverktøyet. Bruk et elektroverktøy som er beregnet til den type arbeid du vil utføre.** Med et passende elektroverktøy arbeider du bedre og sikrere i det angitte effektområdet.
  - b) **Ikke bruk elektroverktøy med defekt på-/avbryter.** Et elektroverktøy som ikke lenger kan slås av eller på, er farlig og må repareres.
  - c) **Trekk støpselet ut av stikkontakten og/eller fjern batteriet (hvis demonterbart) før du utfører innstillinger på elektroverktøyet, skifter tilbehørsdeler eller legger elektroverktøyet bort.** Disse tiltakene forhindrer en utilsiktet startung av elektroverktøyet.
  - d) **Elektroverktøy som ikke er i bruk må oppbevares utilgjengelig for barn. Ikke la elektroverktøyet brukes av personer som ikke er fortrolig med dette eller ikke har lest disse anvisningene.** Elektroverktøy er farlige når de brukes av uerfarne personer.
  - e) **Vær nøye med vedlikeholdet av elektroverktøyet og tilbehøret. Kontroller om bevegelige maskindeler fungerer feilfritt og ikke klemmes fast, og om deler er brukket eller skadet, slik at dette innvirker på elektroverktøyets funksjon. La skadede deler repareres før elektroverktøyet brukes.** Dårlig vedlikeholdte elektroverktøy er årsaken til mange uhell.
  - f) **Hold skjæreverktøyene skarpe og rene.** Godt stelte skjæreverktøy med skarpe skjær setter seg ikke så ofte fast og er lettere å føre.
  - g) **Bruk elektroverktøy, tilbehør, verktøy osv. i henhold til disse anvisningene. Ta hensyn til arbeidsforholdene og arbeidet som skal utføres.** Bruk av elektroverktøy til andre formål enn det som er angitt kan føre til farlige situasjoner.
  - h) **Hold håndtak og gripeflater tørre, rene og uten olje eller fett.** Glatte håndtak og gripeflater hindrer sikker håndtering og styring av verktøyet i uventede situasjoner.
- #### **5) AKTSOM HÅNTERING OG BRUK AV BATTERIDREVNE VERKTØY**
- a) **Lad batteriet kun opp i ladere som er anbefalt av produsenten.** Det oppstår brannfare hvis en lader som

er egnet til en bestemt type batterier, brukes med andre batterier.

- b) **Bruk derfor kun riktig type batterier for elektroverktøyene.** Bruk av andre batterier kan medføre skader og brannfare.
  - c) **Hold batteriet som ikke er i bruk unna binders, mynter, nøkler, spikre, skruer eller andre mindre metallgjenstander, som kan lage en forbindelse mellom kontaktene.** En kortslutning mellom batterikontaktene kan føre til forbrenninger eller brann.
  - d) **Ved gal bruk kan det lekkе væske ut av batteriet. Unngå kontakt med denne væsken. Ved tilfeldig kontakt må det skylles med vann. Hvis det kommer væske i øynene, må du i tillegg oppsøke en lege.** Batterivæske som renner ut kan føre til irritasjoner på huden eller forbrenninger.
  - e) **Ikke bruk batteriet eller verktøyet hvis det er skadet eller modifisert.** Ødelagte eller modifiserte batterier kan oppføre seg uforutsigbart, noe som kan føre til brann, eksplosjon eller fare for personskade.
  - f) **Ikke utsett batteriet eller verktøyet for åpen ild eller for høye temperaturer.** Eksponering for ild eller temperaturer over 130 °C kan forårsake eksplosjon.
  - g) **Følg alle ladeinstruksjoner, og ikke lad batteriet eller verktøyet utenfor temperaturområdet som er spesifisert i bruksanvisningen.** Feil lading eller lading ved temperaturer utenfor det spesifiserte temperaturområdet, kan skade batteriet og øke brannfaren.
- 6) **SERVICE**
- a) **Maskinen din skal alltid kun repareres av kvalifisert fagpersonale og kun med originale reservedeler.** Slik opprettholdes elektroverktøys sikkerhet.
  - b) **Ikke utfør service på ødelagte batterier.** Service på batterier skal alltid utføres av produsenten eller godkjente forhandlere.

## SIKKERHETSINSTRUKSJONER FOR OPPLADBARE BAJONETTSAGER

- **Ta kun tak i elektroverktøyet på de isolerte gripeflatene når de utfører jobber hvor kuttetilbehøret kan komme i kontakt med skjulte ledninger** (hvis en strømførende ledning kuttes, kan metalldele på elektroverktøyet bli strømførende og brukeren kan få elektrisk støt)
- **Bruk klemmer eller andre praktiske måter å sikre og støtte arbeidsstykket til et stødig underlag** (å holde arbeidsstykket i hånden eller mot kroppen gjør det ustødig og kan føre til tap av kontroll)

### TILBEHØR

- SKIL kan kun garantere et feilfritt verktøy dersom originaltilbehør brukes
- Bruk kun tilbehør med et godkjent turtall som er minst like høyt som verktøyet høyeste tomgangsturtall

### FØR BRUK

- Unngå skade pga. skruer, spiker eller andre elementer i arbeidsstykket; fjernes før man starter jobben
- **Bruk egnede detektorer til å finne skjulte strøm-/gass-/vannledninger, eller spør hos det lokale el-/gass-/vannverket** (kontakt med elektriske ledninger kan medføre brann og elektrisk støt; skader på en gassledning kan føre til eksplosjon; inntrengning i en vannledning forårsaker materielle skader og kan medføre elektriske støt)

## PERSONSIKKERHET

- Verktøyet må ikke brukes av personer under 16 år
- **Ikke bearbeid asbestholdig material** (asbest kan fremkalle kreft)
- Støv fra materialer som blyholdig maling, visse tresorter, mineraler og metall kan være skadelig (kontakt med eller inhalering av støv kan gi allergiske reaksjoner og/eller sykdommer i åndedretsorganene for brukeren eller personer i nærheten); **bruk støvmaske og arbeid med støvfjerningsutstyr når det er mulig**
- Visse typer støv er klassifisert som kreftfremkallende (som f.eks. støv fra eik og bøk), spesielt sammen med tilsetningsstoffer for trebehandling; **bruk støvmaske og arbeid med støvfjerningsutstyr når det er mulig**
- Følg de nasjonale krav, når det gjelder støv for de materialer du ønsker å arbeide med
- **Hold hendene unna sagområdet og bladet; hold den andre hånden din på tønnegrepet F** <sup>②</sup> (hvis du holder sagen med begge hendene, kan de ikke bli kuttet av bladet)
- **Ikke strekk hånden under arbeidsstykket** (du kan ikke se hvor nær hånden din er bladet)
- **Du må aldri holde stykket du arbeider med i hendene eller på tvers over beinet** (det er viktig å spenne fast arbeidsstykket skikkelig for å minske risikoen for kroppsskade, for at bladet skal sette seg fast, eller for å miste kontrollen)
- **Ikke bruk et sagblad som er sløvt eller skadet** (bøyde blader kan lett brekke eller få sagen til å hoppe bakover (tilbakeslag))
- **Bruk vernehansker når du fjerner bladet fra verktøyet** (sagbladet kan være varmt etter langvarig bruk)
- Bruk beskyttelsesbriller og hørselsvern

## BATTERIENE

- **Batteriet leveres delvis ladet** (for å få batteriets fulle kapasitet, lad batteriet helt opp ved bruk av batteriladeren før verktøyet tas i bruk for første gang)
- **Bare bruk følgende batterier og ladere med dette verktøyet**
  - SKIL-batteri: BR1\*31\*\*\*\*
  - SKIL-lader: CR1\*31\*\*\*\*
- Bruk ikke batteriet når det er skadet; det må byttes ut umiddelbart
- Ikke demonter batteriet
- Ikke utsett verktøyet/batteriet for regn
- Tillatt omgivelsestemperatur (verktøy/lader/batteri):
  - ved lading 4...40 °C
  - ved drift -20...+50 °C
  - ved lagring -20...+50 °C

## FORKLARING AV SYMBOLER PÅ VERKTØY/BATTERI

- ③ Les instruksjonsboken for bruk
- ④ Batterier vil eksplodere hvis de blir brent, derfor må man aldri brenne batteriene
- ⑤ Oppbevar verktøy/lader/batteriet på et sted der temperaturen ikke overstiger 50 °C
- ⑥ Kast aldri elektroverktøy og batterier i husholdningsavfallet

## BRUK

- Batteriladning
  - ! **les sikkerhetsadvarslene og instruksene levert med laderen**
  - Fjerne/installere batteriet <sup>②</sup>
  - Indikator for batteristatus <sup>⑦</sup>
  - trykk inn indikatorknappen for batteriladning L for å se

- inneværende batteriladningen ⑦a
- ! hvis indikatoren for batteriladning begynner å blinke etter du har trykket på knappen L ⑦b, er batteriet tomt
  - ! hvis 2 indikatoren for batteriladning begynner å blinke etter du har trykket på knappen L ⑦c, er batteriet ikke innenfor tillatt driftstemperaturområdet
  - LED-lys ⑧  
LED-lyset tennes automatisk ved aktivering av av/på-bryteren  
! når LED-lyset begynner å blinke, er batterivernet aktivert (se nedenfor)
  - Batterivern  
Verktøyet blir plutselig slått av eller blir forhindret fra å startes når
    - belastningen er for høy --> fjern belastningen og start på nytt
    - batteriets temperatur ikke er innenfor tillatt driftstemperaturområdet som er -20 til 50°C --> 2 indikatoren for batteriladning begynner å blinke etter du har trykket på knappen L ⑦c; vent til batteriet er innenfor det tillatte driftstemperaturområdet
    - batteriet er nesten tomt (for å beskytte mot full utladning) --> et lavt batterinivå eller et blinkende lavt batteri nivå ⑦b vises ved at indikatoren for batteriladning begynner å blinke etter du har trykket på knappen L; lad batteriet
    - ! ikke fortsett å skru verktøyet av og på etter at det er slått av automatisk; dette kan skade batteriet
  - Kombinert på-/avbryter og hastighetskontroll med låseknapp ⑨ ⑩
    - lås opp først ved å trykke på knappen A
    - slå på verktøyet ved å trekke inn bryter B
    - reguler den trinnløse hastighet fra 0 til maksimum ved å trykke mer eller mindre på bryteren
    - slå av ved å slippe avtrekkeren B
  - Låseknappen A kan aktiveres ⑨
    - hvis aktivert, er på-/avbryteren blokkert og maskinen kan ikke slås på utilsiktet
  - Montering av sagbladet ⑪
    - ! fjern batteriet fra verktøyet før du foretar noen justeringer eller endrer tilbehør
    - skru bladklemmen C i samme retning som pilen D på verktøyet og hold den i denne posisjonen
    - sett bladet inn (med tennene ned eller opp) så langt det går
    - slipp bladklemmen C
    - trykk på og trekk ut bladet for å kontrollere at det sitter fastlåst
  - Fjerning av sagbladet ⑪
    - ! fjern batteriet fra verktøyet før du foretar noen justeringer eller endrer tilbehør
    - skru bladklemmen C i samme retning som pilen D på verktøyet og hold den i denne posisjonen
    - trekk bladet ut
    - slipp bladklemmen C
  - Rotasjonsbevegelse for rask saging ⑫
    - for å aktivere rotasjonsbevegelsen til sagbladet, bruker du bryteren N som vist
    - ! ikke aktiver rotasjonsbevegelsen ved skjæring i metall
  - Bruk av verktøyet
    - ! klem arbeidsemnet ordentlig på plass
    - merk av saglinjen på emnet

- monter batteriet på verktøyet
- hold verktøyet med en hånd på håndtaket E og den andre på det isolerte tønnegrepet F
- slå på verktøyet
- før verktøyet langs den oppmerkede saglinjen
- hold fotplaten G fast mot arbeidsemnet for å gjøre motkraften og vibrasjonene minst mulig
- Grep og styring av verktøyet
  - ! under arbeid, hold verktøyet alltid i grått (gråe) grepsområde(r) ⑬
  - hold ventilasjonsåpningen H utilddekket
  - ikke utøv for meget press på verktøyet, la verktøyet gjøre jobben for deg
  - ! forviss deg om at sagbladet går gjennom emnet under hele siaget ⑭
- Justering av effektiv sagedybde ⑮
  - ! fjern batteriet fra verktøyet før du foretar noen justeringer eller endrer tilbehør
  - bruk sekskantnøkkelen K for å løsne og stramme til begge J
  - skyv fotplaten G frem-/bakover for å få større/mindre effektiv sagedybde

## BRUKER TIPS

- Spaltekutt ⑯  
Spaltekutt kan gjøres i tre og andre myke materialer uten forhåndsboring
  - bruk et tykt sagblad
  - ! fjern batteriet fra verktøyet før du foretar noen justeringer eller endrer tilbehør
  - monter bladet med tennene oppover
  - merk av den ønskede saglinjen på arbeidsemnet
  - vipp verktøyet slik at bladet ikke berører arbeidsemnet
  - slå på verktøyet og sett sagbladet forsiktig mot emnet
  - etter at bladet har gått inn i emnet, må du fortsette å sage langs saglinjen
  - ! ikke foreta spaltekutt i metalliske materialer
- Bruk riktig sagblad ⑰
- Ved boring i metaller, smør sagbladet regelmessig med olje
- Splintfri saging
  - skjerm snittlinjen med flere lag av bred tape før man starter sagingen
  - sag alltid på baksiden av materialet
- Se [www.skil.com](http://www.skil.com) for mer informasjon

## VEDLIKEHOLD / SERVICE

- Dette verktøyet er ikke beregnet på profesjonell bruk
- Verktøyet skal alltid holdes rent (gjelder spesielt for ventilasjonssporene H ②)
- ! ta batteriet ut av verktøyet før rengjøring
- Hvis elektroverktøyet til tross for omhyggelige produksjons- og kontrollmetoder en gang skulle svikte, må reparasjonen utføres av et autorisert serviceverksted for SKIL-elektroverktøy
  - send verktøyet i montert tilstand sammen med kjøpebevis til forhandleren eller nærmeste SKIL servicecenter (adresser liksom service diagram av verktøyet finner du på [www.skil.com](http://www.skil.com))
- Vær klar over at skade som skyldes overbelastning eller feilbehandling av verktøyet ikke dekkes av garantien (for SKIL garantibetingelser se [www.skil.com](http://www.skil.com) eller spør din forhandler)

## MILJØ

- **Kast aldri elektroverktøy, batterier, tilbehør og emballasje i husholdningsavfallet** (kun for EU-land)
  - i henhold til EU-direktiv 2012/19/EF om kasserte elektriske og elektroniske produkter og direktivets iverksetting i nasjonal rett, må elektroverktøy som ikke lenger skal brukes, samles separat og returneres til et miljøvennlig gjenvinningsanlegg
  - symbolet  er påtrykt som en påminnelse når utskiftning er nødvendig
- ! **før batteriene kastes, tape over polene med tykk tape for å unngå kortslutning**

## STØY / VIBRASJON

- Målt i samsvar med EN 62841, lydtrykksnivået til dette verktøyet er 85,0 dB(A) og lydeffektnivået er 96,0 dB(A) (usikkerhet K = 5 dB) og vibrasjonen \* (triaks vektorsum usikkerhet K = 1,5 m/s<sup>2</sup>)
  - \* når du kutter plate 9,9 m/s<sup>2</sup>
  - \* saging av trebjelke 9,5 m/s<sup>2</sup>
- Vibrasjonsnivået er målt i samsvar med en standardisert test som er angitt i EN 62841; den kan brukes til å sammenligne et verktøy med et annet, og som et foreløpig overslag over eksponering for vibrasjoner ved bruk av verktøyet til de oppgavene som er nevnt
  - bruk av verktøyet til andre oppgaver, eller med annet eller mangelfullt vedlikeholdt utstyr, kan gi en vesentlig **økning** av eksponeringsnivået
  - tidsrommene når verktøyet er avslått eller når det går men ikke arbeider, kan gi en vesentlig **reduksjon** av eksponeringsnivået
- ! **beskytt deg selv mot virkningene av vibrasjoner ved å vedlikeholde verktøyet og utstyret, holde hendene varme og organisere arbeidsmåten din**

FIN

## Akkukjørtøien puukkosaha, 3480 harjaton

### ESITTELY

- Koneet on tarkoitettu puun, muovin, metallin ja rakennusmateriaalien sahaukseen samoin kuin puiden karsimiseen; se soveltuu suoraan ja käyrrään leikkaamiseen
- Tätä työkalua ei ole tarkoitettu ammattikäyttöön
- Lue ja säilytä tämä ohjekirja <sup>3</sup>

### TEKNISET TIEDOT ①


### LAITTEEN OSAT ②

- A Lukitusruuvi
- B On/off- ja nopeudensäätökytkin
- C Teränpidike
- D Nuoli
- E Kahva
- F Tukikahva
- G Säädettävä jalkalevy
- H Ilmanvaihto-aukot
- J Kiinnityspultit
- K Kuusiokoloavain

- L Akun lataustilan merkkivalo
- M Ledivalo
- N Kiertotoimintakytkin

## TURVALLISUUS

### YLEISET SÄHKÖTYÖKALUJEN TURVALLISUUTEEN LIITTYVÄT VAROITUKSET

 **VAROITUS: Pehedy kaikkiin tämän sähkötyökalun mukana toimitettuihin varoituksiin, ohjeisiin, kuviin ja teknisiin tietoihin.** Jos kaikkia alla olevia ohjeita ei noudateta, seurauksena voi olla sähköisku, tulipalo ja/tai vakava loukkaantuminen.

### Säilytä kaikki turvallisuus- ja muut ohjeet tulevaisuutta varten.

Turvallisuusohjeissa käytetty käsite "sähkötyökalu" käsittää verkkokäyttöisiä sähkötyökaluja (verkkojohdolla) ja akkukäyttöisiä sähkötyökaluja (ilman verkkojohtoa).

#### 1) TYÖPAIKAN TURVALLISUUS

- Pidä työskentelyalue puhtaana ja hyvin valaistuna.** Työpaikan epäjärjestys tai valaisemattomat työalueet voivat johtaa tapaturmiin.
- Älä työskentele sähkötyökalulla räjähdyssalttiissa ympäristössä, jossa on palavaa nestettä, kaasua tai pölyä.** Sähkötyökalu muodostaa kipinöitä, jotka saattavat syyttää pölyn tai höyryt.
- Pidä lapset ja sivulliset loitolla sähkötyökalua käyttäessäsi.** Voit menettää laitteesi hallinnan, huomiosi suuntautuessa muualle.

#### 2) SÄHKÖTURVALLISUUS

- Sähkötyökalun pistotulpan tulee sopia pistorasiaan. Pistotulppaa ei saa muuttaa millään tavalla. Älä käytä mitään pistorasia-adaptoreita maadoitettujen sähkötyökalujen kanssa.** Alkuperäisessä kunnossa olevat pistotulpat ja sopivat pistorasiat vähentävät sähköiskun vaaraa.
  - Vältä koskettamasta maadoitettuja pintoja, kuten putkia, pattereita, liesiä tai jääkaappeja.** Sähköiskun vaara kasvaa, jos kehosi on maadoitettu.
  - Älä aseta sähkötyökalua alttiiksi sateelle tai kosteudelle.** Veden tunkeutuminen sähkötyökalun sisään kasvattaa sähköiskun riskiä.
  - Älä käytä verkkojohtoa väärin. Älä käytä sitä sähkötyökalun kantamiseen, vetämiseen tai pistotulpan irrottamiseen pistorasiasta. Pidä johto loitolla kuumuudesta, öljystä, terävistä reunoista ja liikkuvista osista.** Vahingoittuneet tai sotkeutuneet johdot kasvattavat sähköiskun vaaraa.
  - Käyttäessäsi sähkötyökalua ulkona, käytä ainoastaan ulkokäyttöön soveltuvaa jatkojohtoa.** Ulkokäyttöön soveltuvan jatkojohdon käyttö pienentää sähköiskun vaaraa.
  - Jos sähkötyökalun käyttö kosteassa ympäristössä ei ole vältettävissä, tulee käyttää maavuotokatkaisijaa.** Maavuotokatkaisijan käyttö vähentää sähköiskun vaaraa.
- #### 3) HENKILÖTURVALLISUUS
- Ole valpas, kiinnitä huomiota työskentelyysi ja noudata tervettä järkeä sähkötyökalua käyttäessäsi. Älä käytä sähkötyökalua, jos olet**

- väsyrnyt tai huumeiden, alkoholin tahi lääkkeiden vaikutuksen alaisena. Hetken tarkkaamattomuus sähkötyökalua käytettäessä, saattaa johtaa vakavaan loukkaantumiseen.
- b) **Käytä suojavarusteita. Käytä aina suojalaseja.** Henkilökohtaisen suojavarustuksen käyttö, kuten pölynaamarin, luistamattomien turvakien, suojakypärän tai kuulonsuojaimien, riippuen sähkötyökalun lajista ja käyttötavasta, vähentää loukkaantumisriskiä.
- c) **Vältä tahatonta käynnistämistä. Varmista, että sähkötyökalu on poiskytkettynä, ennen kuin liität sen sähköverkkoon ja/tai liität akun, otat sen käteen tai kannat sitä.** Jos kannat sähkötyökalua sormi käynnistyskytkimellä tai kytket sähkötyökalun pistotulpan pistorasiaan, käynnistyskytkimen ollessa käyntiasennossa, altistat itsesi onnettomuuksille.
- d) **Poista kaikki säätötyökalut ja ruuvitalat, ennen kuin käynnistät sähkötyökalun.** Työkalu tai avain, joka sijaitsee laitteen pyörivässä osassa, saattaa johtaa loukkaantumiseen.
- e) **Älä yliarvioi itseäsi. Huolehdi aina tukevasta seisoma-asennosta ja tasapainosta.** Täten voit paremmin hallita sähkötyökalua odottamattomissa tilanteissa.
- f) **Käytä tarkoitukseen soveltuvia vaatteita. Älä käytä löysiä työvaatteita tai koruja. Pidä hiukset ja vaatteet poissa liikkuvien osien ulottuvilta.** Väljäät vaatteet, korut ja pitkät hiukset voivat takertua liikkuviin osiin.
- g) **Jos pölynimu- ja keräilylaitteita voidaan asentaa, tulee sinun tarkistaa, että ne on liitetty ja että ne käytetään oikealla tavalla.** Pölynimulaitteiston käyttö vähentää pölyn aiheuttamia vaaroja.
- h) **Työskentele keskittyneesti ja noudata aina turvallisuusmääräyksiä.** Hetkellisenkin huolimattomuus voi aiheuttaa vakavia vammoja.
- 4) **SÄHKÖTYÖKALUJEN KÄYTTÖ JA HOITO**
- a) **Älä ylikuormita laitetta. Käytä kyseiseen työhön tarkoitettua sähkötyökalua.** Sopivaa sähkötyökalua käyttäen työskentelet paremmin ja varmemmin tehoalueella, jolle sähkötyökalu on tarkoitettu.
- b) **Älä käytä sähkötyökalua, jota ei voida käynnistää ja pysäyttää käynnistyskytkimestä.** Sähkötyökalu, jota ei enää voida käynnistää ja pysäyttää käynnistyskytkimellä, on vaarallinen ja se täytyy korjata.
- c) **Irrota pistotulppa pistorasiasta ja/tai irrota akku (jos irrotettava) sähkötyökalusta, ennen kuin suoritat säätöjä, vaihdat tarvikkeita tai viet sähkötyökalun varastoon.** Nämä turvatoimenpiteet pienentävät sähkötyökalun tahattoman käynnistysriskin.
- d) **Säilytä sähkötyökalut poissa lasten ulottuvilta, kun niitä ei käytetä. Älä anna sellaisten henkilöiden käyttää sähkötyökalua, jotka eivät tunne sitä tai jotka eivät ole lukeneet tätä käyttöohjetta.** Sähkötyökalut ovat vaarallisia, jos niitä käyttävät kokemattomat henkilöt.
- e) **Pidä sähkötyökalut ja tarvikkeet hyvässä kunnossa.** Tarkista, että liikkuvat osat toimivat moitteettomasti, eivätkä ole puristuksessa sekä, että siinä ei ole murtuneita tai vahingoittuneita osia, jotka saattaisivat vaikuttaa haitallisesti sähkötyökalun toimintaan. Anna korjauttaa mahdolliset viat ennen käyttöönottoa. Monen tapaturman syyt löytyvät huonosti huolletuista laitteista.
- f) **Pidä leikkausterät terävinä ja puhtaina.** Huolellisesti hoidetut leikkaustyökalut, joiden leikkausreunat ovat teräviä, eivät tartu helposti kiinni ja niitä on helpompi hallita.
- g) **Käytä sähkötyökaluja, tarvikkeita, vaihtotyökaluja jne. näiden ohjeiden mukaisesti. Ota tällöin huomioon työolosuhteet ja suoritettava toimenpide.** Sähkötyökalun käyttö muuhun kuin sille määrättyyn käyttöön, saattaa johtaa vaarallisiin tilanteisiin.
- h) **Pidä kahvat ja kädensijat kuivina ja puhtaina (öljyttöminä ja rasvattomina).** Jos kahvat ja kädensijat ovat liukkaita, et pysty yllättävissä tilanteissa ohjaamaan ja hallitsemaan työkalua turvallisesti.
- 5) **AKKUKÄYTTÖISTEN SÄHKÖTYÖKALUJEN KÄYTTÖ JA HOITO**
- a) **Lataa akku vain valmistajan määräämässä latauslaitteessa.** Latauslaite, joka soveltuu määrätyn tyyppiselle akulle, saattaa muodostaa tulipalovaaran erilaista akkua ladattaessa.
- b) **Käytä sähkötyökalussa ainoastaan kyseiseen sähkötyökaluun tarkoitettua akkua.** Jonkun muun akun käyttö saattaa johtaa loukkaantumiseen ja tulipaloon.
- c) **Pidä irrillista akkua loitolla metalliesineistä, kuten paperinliittimistä, kolikoista, avaimista, nauloista, ruuveista tai muista pienistä metalliesineistä, jotka voivat oikosulkea akun koskettimet.** Akkukoskettimien välinen oikosulku saattaa aiheuttaa palovammoja tai johtaa tulipaloon.
- d) **Väärästä käytöstä johtuen saattaa akusta vuotaa nestettä, jota ei tule koskettaa. Jos nestettä vahingossa joutuu iholle, huuhtele kosketuskohta vedellä. Jos nestettä pääsee silmiin, tarvitaan tämän lisäksi lääkärin apua.** Akusta vuotava neste saattaa aiheuttaa ärsytystä ja palovammoja.
- e) **Älä käytä akkua tai työkalua, joka on vioittunut tai johon on tehty muutoksia.** Jos akut ovat vioittuneet tai niihin on tehty muutoksia, ne voivat toimia ennalta arvaamattomasti ja aiheuttaa tulipalon, räjähdyksen tai loukkaantumisvaaran.
- f) **Älä altista akkua tai työkalua tulelle tai äärimmäisille lämpötiloille.** Tullelle tai yli 130°C asteen lämpötilalle altistaminen saattaa aiheuttaa räjähdyksen.
- g) **Noudata latausohjeita ja lataa akku tai työkalu ohjeenmukaisen lämpötila-alueen rajoissa.** Lataaminen virheellisesti tai ohjeiden vastaisessa lämpötilassa saattaa vaurioittaa akkua ja lisätä palovaaraa.
- 6) **HUOLTO**
- a) **Anna koulutettujen ammattihenkilöiden korjata sähkötyökalusi ja hyväksy korjauksiin vain alkuperäisiä varaosia.** Täten varmistat, että sähkötyökalu säilyy turvallisena.
- b) **Älä missään tapauksessa yritä itse korjata vaurioituneita akkuja.** Akkuja saa korjata vain valmistaja tai valtuutettu huoltopiste.
- AKKUPUUKKOSAHOJEN TURVALLISUUSOHJEET  
PUUKKOSAHOJEN TURVALLISUUSOHJEET
- Tartu sähkötyökaluun ainoastaan eristetyistä pinoista, tehdessäsi työtä, jossa vaihtotyökalu saattaisi osua piilossa olevaan sähköjohtoon (kosketus jännitteeseen johtoon voi saattaa

sähkötyökalun metalliosat jännitteisiksi ja johtaa sähköiskuun)

- **Tue työstettävä kappale tukevaan tasoon puristimilla tai muulla käytännöllisellä tavalla** (kappaleen pitäminen käsin tai kehoa vasten on epävakaata ja voi aiheuttaa hallinnan menetyksen)

#### VARUSTEET

- SKIL pystyy takaamaan työkalun moitteettoman toiminnan vain, kun käytetään alluperäisiä tarvikkeita
- Käytä vain tarvikkeita, joiden sallittu kierrosuku on vähintään yhtä suuri kuin laitteen suurin tyhjäkäyntikierrosuku

#### ENNEN KÄYTTÖÄ

- Vältä vaaralliset vahingot, jotka voivat aiheutua nauloista, ruuveista tai muista aineista työstettävässä materiaalissa; poista ne ennen työskentelyn aloittamista
- **Käytä sopivia etsintälaitteita piilossa olevien syöttöjohtojen paikallistamiseksi, tai käänny paikallisen jakeluyltiön puoleen** (kosketus sähköjohtoon saattaa johtaa tulipaloon ja sähköiskuun; kaasuputken vahingoittaminen saattaa johtaa räjähdykseen; vesijohtoon tunkeutuminen aiheuttaa aineellista vahinkoa tai saattaa johtaa sähköiskuun)

#### HENKILÖTURVALLISUUS

- Tätä työkalua saavat käyttää vain 16 vuotta täyttäneet henkilöt
- **Älä koskaan työstä asbestipitoista ainetta** (asbestia pidetään karsinogeenisena)
- Materiaaleista, kuten lyijypitoinen maali, jotkut puulajit, mineraalit ja metalli, tuleva pöly voi olla vahingollista (kosketuksiin joutuminen pölyn kanssa tai sen sisään hengittäminen voi aiheuttaa käyttäjälle tai sivustakatsojille allergiareaktioita ja/tai hengitysvaivoja); **käytä pölynaamaria ja työskentele pölynpoistolaitteen kanssa, kun sellainen on liitettävissä**
- Tietyntyypiset pölyt on luokiteltu karsinogeenisiksi (kuten tammi- ja pyökkipöly) erityisesti puun käsittelyyn käytettävien lisäaineiden yhteydessä; **käytä pölynaamaria ja työskentele pölynpoistolaitteen kanssa, kun sellainen on liitettävissä**
- Noudata maakohtaisia pölyyn liittyviä sääntöjä
- **Pidä kädet poissa sahausalueelta ja terästä; pidä toinen käsi tukikahvalla F ②** (jos molemmat kädet pitävät kiinni sahasta, terän ei ole mahdollista päästä koskettamaan niitä)
- **Älä kurota työkalupaleen alapuolelle** (etäisyys terästä käteen ei ole näkyvässä)
- **Älä koskaan pidä sahattavaa työkalupalea kädessäsi tai jalkojen poikki** (työkalu on tärkeää tukea asianmukaisesti keholle aiheutuvien vaarojen, terän kiinnittämisen tai kontrollin menettämisen minimoimiseksi)
- **Älä käytä tylsiä tai vaurioituneita teriä** (käyrät terät voivat hajota helposti tai aiheuttaa takapotkun)
- **Käytä suojäkäsineitä, kun irrotat terän työkalusta** (sahanterä voi olla kuuma pitkäaikaisen käytön jälkeen)
- Käytä suojalaseja ja kuulonsuojaimia

#### AKKU

- **Mukana tullut akku on osittain ladattu** (varmistaa akun täysi kapasiteetti lataamalla se täyteen akkulaturissa, ennen kuin käytät sähkötyökalua ensimmäistä kertaa)
- **Käytä tämän työkalun yhteydessä vain seuraavia akkuja ja latureita**
  - SKIL-akku: BR1\*31\*\*\*\*
  - SKIL-laturi: CR1\*31\*\*\*\*

- Älä käytä vahingoittanutta akkua, vaan vaihda se
- Älä pura akkua
- Suojele konettasi/akkua sateelta
- Sallittu ympäristön lämpötila (työkalu/latauslaite/akku):
  - ladattaessa 4...40°C
  - käytössä -20...+50°C
  - varastoinnissa -20...+50°C

#### TYÖKALUN/AKUN SYMBOLIEN SELITYKSET

- ③ Lue käyttöohjeet ennen käyttöä
- ④ Akut räjähtävät, jos ne hävitetään polttamalla, joten älä missään tapauksessa polta niitä
- ⑤ Säilytä konettasi/latauslaitetta/akkua paikoissa, joissa lämpötila ei nouse yli 50°C
- ⑥ Älä hävitä sähkötyökalua ja paristoja tavallisen kotitalousjätteen mukana

#### KÄYTTÖ

- Akun lataus
  - ! **lue laturin mukana toimitetut varoitukset ja ohjeet**
- Akun poistaminen/asentaminen ②
- Akun lataustilan merkivallo ⑦
  - paina akun varauksilan painiketta L akun senhetkisen varauksen esittämiseksi ⑦a
  - ! **jos varauksilan ilmaisimen alin taso alkaa vilkkua, kun olet painanut painiketta L ⑦b, akku on tyhjä**
  - ! **jos varauksilan ilmaisimen 2 tasoa alkaa vilkkua, kun olet painanut painiketta L ⑦c, akku ei ole sallitulla käyttölämpötila-alueella**
- Ledivalo ⑧
  - LED-valo syttyy automaattisesti, kun ON/OFF-kytkin aktivoidaan
  - ! **kun LED-valo alkaa vilkkua, akun suojaus on aktivoitu (katso alla)**
- Akun suojaus
  - Työkalu kytketty äkillisesti pois päältä tai sen päälle kytkeminen estetään, jos
    - **kuormitus on liian suuri** --> poista kuorma ja käynnistä työkalu uudestaan
    - **akun lämpötila ei ole sallitulla käyttölämpötila-alueella -20...+50 °C** --> varauksilan ilmaisimen 2 tasoa alkaa vilkkua, kun painat painiketta L ⑦c - odota kunnes akku on palautunut sallitulle käyttölämpötila-alueelle
    - **akku on lähes tyhjä (sen suojaamiseksi syväpurkaukselta)** --> varauksilan ilmaisimessa näkyy matala varaustila tai vilkkuva matala varaustila ⑦b, kun painat painiketta L - lataa akku
    - ! **älä paina käynnistyskytkintä sen jälkeen, kun työkalu on kytketty pois päältä automaattisesti; akku voi vahingoittua**
- Käynnistys ja nopeudensäätö lukitusnupilla ⑨ ⑩
  - avaa ensin lukitus painamalla nuppia A
  - käynnistä koneesi painamalla kytkintä B
  - valitse nopeus portaattomasti nolasta maksiminopeuteen painamalla enemmän tai vähemmän kytkintä
  - sammuta vapauttamalla liipaisin B
- Lukitusnuppi A voidaan aktivoida ⑨
  - jos se on aktivoitu, virtakatkaisin on lukittu ja koneen sahanterän käynnistys on estetty
- Sahanterän kiinnittäminen ⑪
  - ! **irrota akku työkalusta ennen säätöjen tekemistä tai tarvikkeiden vaihtamista**

- käännä teränpidintä C työkalussa olevan nuolen D suuntaan ja pidä se siinä asennossa
- työnnä terä (hampaat alas- tai ylöspäin) täysin sisään
- vapauta teränpidin C
- paina terää sisään ja vedä ulos, jotta voit varmistaa, että se on kunnolla paikallaan
- Sahanterän irrottaminen <sup>(11)</sup>
  - ! **irrota akku työkalusta ennen säätöjen tekemistä tai tarvikkeiden vaihtamista**
  - käännä teränpidintä C työkalussa olevan nuolen D suuntaan ja pidä se siinä asennossa
  - vedä terä ulos
  - vapauta teränpidin C
- Kiertotoiminta nopeata leikkaamista varten <sup>(12)</sup>
  - käynnistä sahanterän kiertotoiminta kytkimellä N kuvan osoittamalla tavalla
  - ! **älä käynnistä kiertotoimintaa metallin leikkaamiseen**
- Työkalun käyttö
  - ! **kiinnitä työstettävä kohde kunnolla**
  - merkitse sahauslinja
  - asenna akku työkaluun
  - pidä työkalua siten, että pidät toisella kädellä kiinni kahvasta E ja toisella eristetystä tukikahvasta F
  - käynnistä kone
  - ohjaa työkalua merkittyä sahauslinjaa pitkin
  - pidä jalkalevy G tukevasti työstettävää kohdetta vasten vastavoiman ja värinän estämiseksi
- Koneen pitäminen ja ohjaaminen
  - ! **pidä työkalusta kiinni aina työskentelyn aikana harmaan värisestä kädensija(oi)sta <sup>(13)</sup>**
  - pidä ilmanvaihto-aukkoja H peittämättöminä
  - älä paina työkalua liian voimakkaasti; vaan anna työkalun tehdä työ puolestasi
  - ! **varmistu, että sahanterä ylettyy työhön koko liikkeen pituudelta <sup>(14)</sup>**
- Tehollisen sahausvyödyden säätö <sup>(15)</sup>
  - ! **irrota akku työkalusta ennen säätöjen tekemistä tai tarvikkeiden vaihtamista**
  - käytä kuusiokoloavainta K molempien kiinnityspulttien löysäämiseen ja kiinnittämiseen J
  - liukuvaa jalkalevyä G eteenpäin/taaksepäin, jolloin tehollinen sahausvyödyden suurenee/pienenee

## VINKKEJÄ

- Uputussahaus <sup>(16)</sup>
  - Pistoreikiä voidaan tehdä puuhun ja muihin pehmeisiin materiaaleihin ilman reiän esiporaamista
  - käytä paksua sahanterää
  - ! **irrota akku työkalusta ennen säätöjen tekemistä tai tarvikkeiden vaihtamista**
  - kiinnitä terän siten, että hammastus on ylöspäin
  - merkitse haluttu sahauslinja työstettävään kohteeseen
  - kallista työkalua siten, että terä ei koske työstettävään kohteeseen
  - kytke työkalu päälle ja aseta liukuva sahanterä varovasti työstettävään kohteeseen
  - kun terä on läpäissyt työstettävän kohteen, jatka sahaamista merkittyä sahauslinjaa pitkin
  - ! **älä tee pistoreikiä metalliin**
- Käytä oikeita sahanterä <sup>(17)</sup>

- Metallia sahattaessa voitele sahanterä öljyllä säännöllisin väliajoin
- Repeämätön katkaisusahaus
  - peitä sahauslinja useilla kerroksilla teippiä ennen sahausksen suorittamista
  - aseta työstettävänä olevan kappaleen hyvä puoli aina alaspäin
- Lisätietoja on tarjolla web-osoitteessa [www.skil.com](http://www.skil.com)

## HOITO / HUOLTO

- Tätä työkalua ei ole tarkoitettu ammattikäyttöön
- Pidä työkalu puhtaana (varmistu erityisesti ilma-aukkojen puhtaus H <sup>(2)</sup>)
- ! **poista akku työkalusta ennen puhdistusta**
- Jos sähkötyökalussa, huolellisesta valmistuksesta ja koestusmenettelystä huolimatta esiintyy vikaa, tulee korjaus antaa SKIL sopimushuollon tehtäväksi
  - toimita työkalu sitä osiin **purkamatta** lähimpään SKIL-huoltoon (osoitteet ja työkalun huoltokaava ovat tarjolla web-osoitteessa [www.skil.com](http://www.skil.com)) ostotodiste mukaan liitettynä
- Ota huomioon, että takuu ei kata työkalun ylikuormituksesta tai väärästä käsittelystä johtuvia vahinkoja (katso SKILin takuuehdot osoitteesta [www.skil.com](http://www.skil.com) tai kysy jälleenmyyjältä)

## YMPÄRISTÖNSUOJELU

- **Älä hävitä sähkötyökalua, paristoja, tarvikkeita tai pakkausta tavallisen kotitalousjätteen mukana** (koskee vain EU-maita)
  - vanhoja sähkö- ja elektroniikkalaitteita koskevan EU-direktiivin 2012/19/ETY ja sen maakohtaisten sovellusten mukaisesti käytetyt sähkötyökalut on toimitettava ongelmajätteen keräyspisteeseen ja ohjattava ympäristöystävälliseen kierrätykseen
  - symboli <sup>(6)</sup> muistuttaa tästä, kun käytöstä poisto tulee ajankohtaiseksi
  - ! **poistaessasi akun käytöstä peitä plus- ja miinusnapa sähköteipillä oikosulun estämiseksi**

## MELU / TÄRINÄ

- Tämän työkalun standardin EN 62841 mukaisesti mitattu äänenpainotaso on 85,0 dB(A) ja äänenvoimakkuus 96,0 dB(A) (epävarmuus K = 5 dB), ja värinä \* (triax-vektorisumma, epävarmuus K = 1.5 m/s<sup>2</sup>)
  - \* laudan sahaus 9,9 m/s<sup>2</sup>
  - \* puupalkkia sahaus 9,5 m/s<sup>2</sup>
- Tärinäsäteilytaso on mitattu standardin EN 62841 mukaisen standarditestin mukaisesti; sitä voidaan käyttää verrattaessa yhtä laitetta toiseen sekä alustavana tärinälle altistumisen arviona käytettäessä laitetta manituissa käyttötarkoituksissa
  - laitteen käyttö eri käyttötarkoituksiin tai erilaisten tai huonosti ylläpidettyjen lisälaitteiden kanssa voi **lisätä** merkittävästi altistumistasoa
  - laitteen ollessa sammuksissa tai kun se on käynnissä, mutta sillä ei tehdä työtä, altistumistaso voi olla huomattavasti **pienempi**
  - ! **suojaudu tärinän vaikutuksilta ylläpitämällä laite ja sen lisävarusteet, pitämällä kädet lämpiminä ja järjestämällä työmenetelmät**

## Sierra sable sin cable ni escobillas 3480

### INTRODUCCIÓN

- Esta herramienta está diseñada para limar madera, plástico, metal y materiales de construcción así como para podar y cortar árboles, adecuada para cortes curvos y rectos
- Esta herramienta no está concebida para uso profesional
- Lea y conserve este manual de instrucciones ③

### DATOS TÉCNICOS ①

### ELEMENTOS DE LA HERRAMIENTA ②

- A Mando de bloqueo
- B Interruptor para encendido/apagado y control de velocidad
- C Abrazadera de la hoja
- D Flecha
- E Empuñadura
- F Empuñadura del tambor
- G Plataforma de pie ajustable
- H Ranuras de ventilación
- J Pernos de sujeción
- K Llave hexagonal
- L Indicador del nivel de carga de la batería
- M Luz LED
- N Interruptor para acción orbital

### SEGURIDAD

#### ADVERTENCIAS DE PELIGRO GENERALES PARA HERRAMIENTAS ELÉCTRICAS

**⚠ ADVERTENCIA** Lea todas las advertencias de seguridad, instrucciones, ilustraciones y especificaciones entregadas con esta herramienta eléctrica. El incumplimiento de alguna de las instrucciones que figuran a continuación puede ser causa de descargas eléctricas, incendios o lesiones graves.

**Guardar todas las advertencias de peligro e instrucciones para futuras consultas.**

El término "herramienta eléctrica" empleado en las siguientes advertencias de peligro se refiere a herramientas eléctricas de conexión a la red (con cable de red) y a herramientas eléctricas accionadas por acumulador (o sea, sin cable de red).

#### 1) SEGURIDAD DEL PUESTO DE TRABAJO

- a) **Mantenga limpia y bien iluminada su área de trabajo.** El desorden o una iluminación deficiente en las áreas de trabajo pueden provocar accidentes.
- b) **No utilice la herramienta eléctrica en un entorno con peligro de explosión, en el que se encuentren combustibles líquidos, gases o material en polvo.** Las herramientas eléctricas producen chispas que pueden llegar a inflamar los materiales en polvo o vapores.

- c) **Mantenga alejados a los niños y otras personas de su área de trabajo al emplear la herramienta eléctrica.** Una distracción le puede hacer perder el control sobre la herramienta.

#### 2) SEGURIDAD ELÉCTRICA

- a) **El enchufe de la herramienta eléctrica debe corresponder a la toma de corriente utilizada. No es admisible modificar el enchufe en forma alguna. No emplear adaptadores en herramientas eléctricas dotadas con una toma de tierra.** Los enchufes sin modificar adecuados a las respectivas tomas de corriente reducen el riesgo de una descarga eléctrica.
- b) **Evite que su cuerpo toque partes conectadas a tierra como tuberías, radiadores, cocinas y refrigeradores.** El riesgo a quedar expuesto a una descarga eléctrica es mayor si su cuerpo tiene contacto con tomas de tierra.
- c) **No exponga las herramientas eléctricas a la lluvia o a condiciones de humedad.** Existe el peligro de recibir una descarga eléctrica si penetran líquidos en la herramienta eléctrica.
- d) **No utilice el cable de red para transportar o colgar la herramienta eléctrica, ni tire de él para sacar el enchufe de la toma de corriente. Mantenga el cable de red alejado del calor, aceite, esquinas cortantes o piezas móviles.** Los cables de red dañados o enredados pueden provocar una descarga eléctrica.
- e) **Al trabajar con la herramienta eléctrica en la intemperie utilice solamente cables de prolongación homologados para su uso en exteriores.** La utilización de un cable de prolongación adecuado para su uso en exteriores reduce el riesgo de una descarga eléctrica.
- f) **Si el funcionamiento de una herramienta eléctrica en un lugar húmedo fuese inevitable, utilice un cortacircuito de fuga a tierra.** El uso de un cortacircuito de fuga a tierra reduce el riesgo de descarga eléctrica.

#### 3) SEGURIDAD DE PERSONAS

- a) **Esté atento y emplee la herramienta eléctrica con prudencia. No utilice la herramienta eléctrica si estuviese cansado, ni bajo los efectos de alcohol, drogas o medicamentos.** El no estar atento durante el uso de una herramienta eléctrica puede provocarle serias lesiones.
- b) **Utilice un equipo de protección personal y en todo caso unas gafas de protección.** El riesgo a lesionarse se reduce considerablemente si, dependiendo del tipo y la aplicación de la herramienta eléctrica empleada, se utiliza un equipo de protección adecuado como una mascarilla antipolvo, zapatos de seguridad con suela antideslizante, casco, o protectores auditivos.
- c) **Evite una puesta en marcha fortuita. Asegurarse de que la herramienta eléctrica esté desconectada antes de conectarla a la toma de corriente y/o al montar el acumulador, al recogerla, y al transportarla.** Si transporta la herramienta eléctrica sujetándola por el interruptor de conexión/desconexión, o si introduce el enchufe en la toma de corriente con la herramienta eléctrica conectada, ello puede dar lugar a un accidente.
- d) **Retire las herramientas de ajuste o llaves fijas antes de conectar la herramienta eléctrica.** Una herramienta o llave colocada en una pieza rotativa puede producir



lesiones graves al accionar la herramienta eléctrica.

- e) **Sea precavido. Trabaje sobre una base firme y mantenga el equilibrio en todo momento.** Ello le permitirá controlar mejor la herramienta eléctrica en caso de presentarse una situación inesperada.
- f) **Lleve puesta una vestimenta de trabajo adecuada. No utilice vestimenta amplia ni joyas. Mantenga su pelo y vestimenta alejados de las piezas móviles.** La vestimenta suelta, las joyas y el pelo largo se pueden enganchar con las piezas en movimiento.
- g) **Siempre que sea posible utilizar equipos de aspiración o captación de polvo, asegúrese que éstos estén montados y que sean utilizados correctamente.** El empleo de estos equipos reduce los riesgos derivados del polvo.
- h) **No permita que la familiaridad ganada por el uso frecuente de la herramienta eléctrica lo deje creerse seguro e ignorar las normas de seguridad.** Una acción negligente puede causar lesiones graves en una fracción de segundo.

#### 4) CUIDADO Y UTILIZACIÓN DE HERRAMIENTAS ELÉCTRICAS

- a) **No sobrecargue la herramienta eléctrica. Use la herramienta eléctrica prevista para el trabajo a realizar.** Con la herramienta eléctrica adecuada podrá trabajar mejor y con mayor seguridad dentro del margen de potencia indicado.
- b) **No utilice herramientas eléctricas con un interruptor defectuoso.** Las herramientas eléctricas que no se puedan conectar o desconectar son peligrosas y deben repararse.
- c) **Saque el enchufe de la red y/o retire el acumulador desmontable de la herramienta eléctrica, antes de realizar un ajuste, cambiar de accesorio o al guardar la herramienta eléctrica.** Esta medida preventiva reduce el riesgo de conectar accidentalmente la herramienta eléctrica.
- d) **Guarde las herramientas eléctricas fuera del alcance de los niños y de las personas que no estén familiarizadas con su uso.** Las herramientas eléctricas utilizadas por personas inexpertas son peligrosas.
- e) **Cuide la herramienta eléctrica y los accesorios con esmero. Controle si funcionan correctamente, sin atascarse, las partes móviles de la herramienta eléctrica, y si existen partes rotas o deterioradas que pudieran afectar al funcionamiento de la herramienta eléctrica. Si la herramienta eléctrica estuviese defectuosa haga repararla antes de volver a utilizarla.** Muchos de los accidentes se deben a herramientas eléctricas con un mantenimiento deficiente.
- f) **Mantenga los útiles limpios y afilados.** Los útiles mantenidos correctamente se dejan guiar y controlar mejor.
- g) **Utilice herramientas eléctricas, accesorios, útiles, etc. de acuerdo con estas instrucciones, teniendo en cuenta las condiciones de trabajo y la tarea a realizar.** El uso de herramientas eléctricas para trabajos diferentes de aquellos para los que han sido concebidas puede resultar peligroso.
- h) **Mantenga las empuñaduras y las superficies de las empuñaduras secas, limpias y libres de aceite y grasa.** Las empuñaduras y las superficies de las empuñaduras resbaladizas no permiten un manejo y

control seguro de la herramienta eléctrica en situaciones imprevistas.

#### 5) CUIDADO Y UTILIZACIÓN DE HERRAMIENTAS ACCIONADAS POR ACUMULADOR

- a) **Cargue los acumuladores únicamente con los cargadores recomendados por el fabricante.** Existe riesgo de incendio al intentar cargar acumuladores de un tipo diferente al previsto para el cargador.
- b) **Emplee únicamente los acumuladores previstos para la herramienta eléctrica.** El uso de otro tipo de acumuladores puede provocar daños e incluso un incendio.
- c) **Si no utiliza el acumulador, guárdelo separado de clips, monedas, llaves, clavos, tornillos o demás objetos metálicos que pudieran puentear sus contactos.** El cortocircuito de los contactos del acumulador puede causar quemaduras o un incendio.
- d) **La utilización inadecuada del acumulador puede provocar fugas de líquido. Evite el contacto con él. En caso de un contacto accidental enjuagar el área afectada con abundante agua. En caso de un contacto con los ojos recurra además inmediatamente a un médico.** El líquido del acumulador puede irritar la piel o producir quemaduras.
- e) **No emplee acumuladores o útiles dañados o modificados.** Los acumuladores dañados o modificados pueden comportarse en forma imprevisible y producir un fuego, explosión o peligro de lesión.
- f) **No exponga un acumulador o una herramienta eléctrica al fuego o a una temperatura demasiado alta.** La exposición al fuego o a temperatura sobre 130°C puede causar una explosión.
- g) **Siga todas las instrucciones para la carga y no cargue nunca el acumulador o la herramienta eléctrica a una temperatura fuera del margen correspondiente especificado en las instrucciones.** Una carga inadecuada o a temperaturas fuera del margen especificado puede dañar el acumulador y aumentar el riesgo de incendio.

#### 6) SERVICIO

- a) **Únicamente haga reparar su herramienta eléctrica por un profesional, empleando exclusivamente piezas de repuesto originales.** Solamente así se mantiene la seguridad de la herramienta eléctrica.
- b) **No repare los acumuladores dañados.** El entretenimiento de los acumuladores sólo debe ser realizado por el fabricante o un servicio técnico autorizado.

#### INSTRUCCIONES DE SEGURIDAD PARA SIERRAS SABLE SIN CABLE

- **Sujete la herramienta eléctrica por las superficies de agarre aisladas al realizar trabajos en los que el accesorio de corte pueda entrar en contacto con conductores eléctricos ocultos** (el contacto del accesorio de corte con conductores bajo tensión puede hacer que las partes metálicas de la herramienta eléctrica pasen a estar en tensión y provoquen una descarga eléctrica)
- **Utilice abrazaderas u otro sistema práctico para asegurar y soportar la pieza de trabajo en una plataforma estable** (si la sujeta con la mano o contra el cuerpo, queda inestable y puede perder el control sobre ella)

## ACCESORIOS

- SKIL únicamente puede garantizar un funcionamiento correcto de la herramienta al emplear accesorios originales
- Utilice únicamente accesorios cuyo límite de revoluciones permitido sea como mínimo igual a las revoluciones en vacío máximas de la herramienta

## ANTES DEL USO

- Evite los daños que puedan causar los tornillos, clavos y otros objetos sobre la pieza de trabajo; retírelos antes de empezar a trabajar
- **Utilice aparatos de detección adecuados para localizar posibles conductores o tuberías ocultas, o consulte a su compañía abastecedora** (el contacto con conductores eléctricos puede provocar una descarga eléctrica e incluso un incendio; al dañar una tubería de gas puede producirse una explosión; la perforación de una tubería de agua pueden causar daños materiales o una descarga eléctrica)

## SEGURIDAD DE PERSONAS

- Esta herramienta no debe utilizarse por personas menores de 16 años
- **No trabaje materiales que contengan amianto** (el amianto es cancerígeno)
- El polvo del material, como la pintura que contiene plomo, algunas especies de madera, minerales y metal podrían ser dañinos (el contacto o inhalación del polvo podría producir reacciones alérgicas y trastornos respiratorios al operador o a otras personas que se encontrasen en la zona); **utilice una máscara contra el polvo y trabaje con un dispositivo de extracción de polvo cuando lo conecte**
- Ciertos tipos de polvo están catalogados como cancerígenos (por ejemplo el polvo de roble y de haya) especialmente junto con aditivos para el acondicionamiento de la madera; **utilice una máscara contra el polvo y trabaje con un dispositivo de extracción de polvo cuando lo conecte**
- Siga la normativa nacional en cuanto a extracción de polvo, en función de los materiales que vayan a ser utilizados
- **Mantenga las manos apartadas del área de corte y de la hoja; la mano auxiliar debe sujetar la empuñadura del tambor F** (2) (si ambas manos están sujetando la sierra, no pueden ser cortadas por la hoja)
- **No meta la mano debajo de la pieza de trabajo** (usted no puede ver si la mano está cerca de la hoja)
- **No sujete nunca la pieza que esté cortando con las manos o sobre la pierna** (es importante soportar la pieza de trabajo correctamente para minimizar la exposición del cuerpo, el atasco de la hoja o la pérdida de control)
- **No utilice una hoja embotada o dañada** (las hojas dobladas se rompen fácilmente o provocan retroceso)
- **Use guantes protectores para extraer la hoja de la herramienta** (la hoja de sierra puede estar caliente tras un uso prolongado)
- Utilice gafas de protección y protección para los oídos

## BATERÍAS

- **La batería proporcionada está parcialmente cargada** (para garantizar la capacidad total de la batería cárguela completamente en el cargador antes de utilizar por primera vez la herramienta eléctrica)
- **Utilice únicamente los siguientes cargadores y baterías con esta herramienta**
  - Batería SKIL: BR1\*31\*\*\*\*

- Cargador SKIL: CR1\*31\*\*\*\*
- No utilice la batería si está deteriorada, es necesario cambiarla
- No desarme la batería
- No exponga la herramienta/batería a la lluvia
- Temperatura ambiente permitida (herramienta/cargador/batería):
  - durante la carga 4...40°C
  - durante el servicio -20...+50°C
  - durante el almacenamiento -20...+50°C

## EXPLICACIÓN DE SIMBOLOS DE HERRAMIENTA/ BATERÍA

- ③ Lea el manual de instrucciones antes de utilizarla
- ④ Las baterías estallarán si se tiran al fuego, por ningún motivo caliente las baterías
- ⑤ Guarde la herramienta/cargador/batería en un lugar donde la temperatura no exceda los 50°C
- ⑥ No deseche las herramientas eléctricas y las pilas junto con los residuos domésticos

## USO

- Recargue de la batería  
**! lea las instrucciones y la advertencias de seguridad entregadas con el cargador**
- Extracción/instalación de la batería (2)
- Indicador del nivel de batería (7)
  - pulse el botón indicador de nivel de la batería L para mostrar el nivel actual de carga (7)a
  - ! cuando empieza a parpadear el nivel inferior del indicador de la batería al pulsar el botón L (7)b, la batería está descargada**
  - ! cuando los niveles 2 del indicador de la batería empiezan a parpadear al pulsar el botón L (7)c, la batería no se encuentra dentro del rango admisible de temperaturas de funcionamiento**
- Luz LED (8)  
El indicador LED se enciende automáticamente cuando se activa el interruptor de encendido y apagado  
**! cuando el indicador LED empieza a parpadear, se activa la protección de la batería (véase a continuación)**
- Protección de la batería  
La herramienta se apaga inmediatamente, o se impide su encendido, cuando
  - **la carga es demasiado elevada** --> retire la carga y vuelva a poner en marcha
  - **la temperatura de la batería no se encuentra dentro del rango admisible de temperaturas de funcionamiento entre -20 °C y +50 °C** --> los niveles 2 del indicador de nivel de la batería comienzan a parpadear al pulsar el botón L (7)c; espere a que la batería vuelva a estar dentro del rango admisible de temperaturas de funcionamiento
  - **la batería está casi descargada (como protección frente a una descarga intensa)** --> el indicador de nivel de la batería señala un nivel bajo de carga o un nivel bajo de carga intermitente (7)b al pulsar el botón L; cargue la batería**! no continúe pulsando el interruptor de encendido después de que se apague automáticamente la herramienta; se puede dañar la batería**
- Interruptor combinado on/off y control de velocidad con botón de bloqueo (9) (10)
  - en primer lugar, desbloquee pulsando el botón A

- ponga en marcha su herramienta apretando el gatillo B
- controla la velocidad acelerando de 0 hasta la máxima, apretando el gatillo acelerador
- apague soltando el gatillo B

- El botón de bloqueo A se puede activar ⑨

- si se activa, el interruptor on/off se bloquea y la máquina queda asegurada contra una puesta en marcha accidental

- Montaje de la hoja de sierra ⑪

**! extraiga la batería de la herramienta antes de realizar cualquier ajuste o cambiar los accesorios**

- gire la abrazadera de la hoja C en el sentido que indica la flecha D situada sobre la herramienta y manténgala en esa posición

- inserte la hoja (con los dientes de sierra hacia abajo o hacia arriba) hasta el fondo

- suelte la abrazadera de la hoja C

- empuje la hoja hacia dentro y tire de ella para comprobar si está bloqueada

- Extracción de la hoja de sierra ⑪

**! extraiga la batería de la herramienta antes de realizar cualquier ajuste o cambiar los accesorios**

- gire la abrazadera de la hoja C en el sentido que indica la flecha D situada sobre la herramienta y manténgala en esa posición

- tire de la hoja

- suelte la abrazadera de la hoja C

- Acción orbital para corte rápido ⑫

- para activar la acción orbital de la hoja de sierra utilice el interruptor N como indica la ilustración

**! no active la acción orbital al cortar metales**

- Utilización de la herramienta

**! asegure la pieza de trabajo**

- marque la línea de corte en la pieza de trabajo

- instale la batería en la herramienta

- sujete la herramienta con una mano en la empuñadura E y la otra en la empuñadura del tambor aislada F

- ponga en marcha la herramienta

- guíe la herramienta a lo largo de la línea de corte marcada

- mantenga firme la plataforma de pie G contra la pieza de trabajo para reducir al mínimo la fuerza contraria y la vibración

- Sujeción y manejo de la herramienta

**! durante el trabajo, sujete siempre la herramienta por la(s) zona(s) de empuñadura de color gris ⑬**

- mantenga las ranuras de ventilación H descubiertas

- no ejerza demasiada presión en la herramienta; deje que la herramienta haga su trabajo

**! asegúrese de que la hoja de sierra sobresale del material cortado durante todo el desplazamiento ⑭**

- Ajuste de la profundidad efectiva de sierra ⑮

**! extraiga la batería de la herramienta antes de realizar cualquier ajuste o cambiar los accesorios**

- utilice la llave hexagonal K para aflojar y apretar ambos pernos de sujeción J

- deslice la base G hacia adelante/hacia atrás para aumentar/reducir la profundidad de corte efectiva

- Cortes de inmersión ⑯

Los cortes inclinados se pueden realizar en madera y

otros materiales blandos sin perforación previa

- utilice una hoja de sierra gruesa

**! extraiga la batería de la herramienta antes de realizar cualquier ajuste o cambiar los accesorios**

- monte la hoja con los dientes hacia arriba

- marque la línea de corte deseada en la pieza de trabajo

- incline la herramienta de manera que la hoja no toque la pieza de trabajo

- encienda la herramienta e inserte con cuidado la hoja de sierra en movimiento en la pieza de trabajo

- una vez que la hoja ha penetrado en la pieza de trabajo, continúe serrando a lo largo de la línea de corte marcada

**! no realice cortes inclinados en materiales metálicos**

- Utilice las hojas de sierra adecuadas ⑰

- Al cortar metales, engrase la hoja de sierra regularmente con aceite

- Corte sin astillas

- tape la línea de corte con varias capas de cinta de papel engomado ancho antes de cortar

- ponga siempre el lado bueno de la pieza de trabajo hacia abajo

- Si desea más información, visite [www.skil.com](http://www.skil.com)

## MANTENIMIENTO / SERVICIO

- Esta herramienta no está concebida para uso profesional

- Mantenga siempre limpia la herramienta (sobre todo las ranuras de ventilación H ②)

**! extraiga la batería de la herramienta antes de la limpieza**

- Si a pesar de los esmerados procesos de fabricación y control, la herramienta llegase a averiarse, la reparación deberá encargarse a un servicio técnico autorizado para herramientas eléctricas SKIL

- envíe la herramienta **sin desmontar** junto con una prueba de su compra a su distribuidor o a la estación de servicio más cercana de SKIL (los nombres así como el despiece de piezas de la herramienta figuran en [www.skil.com](http://www.skil.com))

- Tenga presente que los daños debido a sobrecargas o al manejo inadecuado de la herramienta serán excluidos de la garantía (consulte las condiciones de garantía de SKIL en [www.skil.com](http://www.skil.com) o consulte a su distribuidor)

## AMBIENTE

- **No deseche las herramientas eléctricas, las pilas, los accesorios y embalajes junto con los residuos domésticos** (sólo para países de la Unión Europea)

- de conformidad con la Directiva Europea 2012/19/CE sobre residuos de aparatos eléctricos y electrónicos y su aplicación de acuerdo con la legislación nacional,

- las herramientas eléctricas cuya vida útil haya llegado a su fin se deberán recoger por separado y trasladar a una planta de reciclaje que cumpla con las exigencias ecológicas

- símbolo ⑥ llamará su atención en caso de necesidad de tirarlas

- símbolo ⑥ llamará su atención en caso de necesidad de tirarlas

**! es prioritario disponer de terminales protectores de baterías para evitar un corto circuito**

## CONSEJOS DE APLICACIÓN

- Cortes de inmersión ⑯

Los cortes inclinados se pueden realizar en madera y

## RUIDOS / VIBRACIONES

- Realizando mediciones según EN 62841, el nivel de presión acústica de esta herramienta es 85,0 dB(A) y el nivel de potencia acústica es de 96,0 dB(A) (incertidumbre K = 5 dB), y la vibración \* (suma vectorial triaxial; incertidumbre K = 1,5 m/s<sup>2</sup>)
    - \* cortando tablas de madera 9,9 m/s<sup>2</sup>
    - \* aserrado de vigas de madera 9,5 m/s<sup>2</sup>
  - El nivel de emisión de vibraciones ha sido medido según una prueba estándar proporcionada en EN 62841; puede utilizarse para comparar una herramienta con otra y como valoración preliminar de la exposición a las vibraciones al utilizar la herramienta con las aplicaciones mencionadas
    - al utilizarla para distintas aplicaciones o con accesorios diferentes o con un mantenimiento deficiente, podría **augmentar** de forma notable el nivel de exposición
    - en las ocasiones en que se apaga la herramienta o cuando está funcionando pero no está realizando ningún trabajo, se podría **reducir** el nivel de exposición de forma importante
- ! protéjase contra los efectos de la vibración realizando el mantenimiento de la herramienta y sus accesorios, manteniendo sus manos calientes y organizando sus patrones de trabajo**



P

## Serra de sabre sem fios e sem escovas 3480

### INTRODUÇÃO

- Esta ferramenta destina-se ao corte de madeira, plástico, metal e materiais de construção, assim como para desbaste e corte de árvores; é adequada para cortes curvos e direitos
- Esta ferramenta não se destina a utilização profissional
- Leia e guarde este manual de instruções ③

### DADOS TÉCNICOS ①

### ELEMENTOS DA FERRAMENTA ②

- A** Botão de bloqueio
- B** Interruptor para ligar/desligar e regulação da velocidade
- C** Gancho da lâmina
- D** Seta
- E** Pega
- F** Punho do cano
- G** Plataforma ajustável
- H** Aberturas de ventilação
- J** Porcas de fixação
- K** Chave sextavada
- L** Indicador do nível de carregamento da bateria
- M** Luz LED
- N** Interruptor para acção orbital

## SEGURANÇA

### INDICAÇÕES GERAIS DE SEGURANÇA PARA FERRAMENTAS ELÉTRICAS

**⚠ AVISO** Leia todos os avisos de segurança, instruções, ilustrações e especificações fornecidas com esta ferramenta eléctrica. O incumprimento de todas as instruções enumeradas abaixo poderá resultar em choque eléctrico, incêndio e/ou lesão grave.

### Guarde bem todas as advertências e instruções para futura referência.

O termo “ferramenta eléctrica” utilizado a seguir nas indicações de advertência, refere-se a ferramentas eléctricas operadas com corrente de rede (com cabo de rede) e a ferramentas eléctricas operadas com acumulador (sem cabo de rede).

#### 1) SEGURANÇA DA ÁREA DE TRABALHO

- Mantenha a sua área de trabalho limpa e arrumada.** Desordem ou áreas de trabalho com fraca iluminação podem causar acidentes.
- Não trabalhar com a ferramenta eléctrica em áreas com risco de explosão, nas quais se encontrem líquidos, gases ou pós inflamáveis.** Ferramentas eléctricas produzem faíscas que podem provocar a ignição de pó e vapores.
- Mantenha crianças e outras pessoas afastadas da ferramenta eléctrica durante o trabalho com a ferramenta.** Distrações podem causar a falta de controlo sobre o aparelho.

#### 2) SEGURANÇA ELÉTRICA

- As fichas das ferramentas eléctricas devem caber na tomada. A ficha não deve ser modificada de modo algum. Não utilize quaisquer fichas de adaptação junto com ferramentas eléctricas ligadas à terra.** Fichas sem modificações e tomadas adequadas reduzem o risco de choques eléctricos.
- Evite que o corpo entre em contacto com superfícies ligadas à terra, como por exemplo tubos, radiadores, fogões e geladeiras.** Há um risco elevado de choques eléctricos, caso o corpo for ligado à terra.
- A ferramenta eléctrica não deve ser exposta à chuva nem humidade.** A penetração de água na ferramenta eléctrica aumenta o risco de choques eléctricos.
- O cabo do aparelho não deve ser utilizado para o transporte, para pendurar o aparelho, nem para puxar a ficha da tomada. Mantenha o cabo afastado de calor, óleo, cantos afiados ou partes em movimento do aparelho.** Cabos danificados ou torcidos aumentam o risco de choques eléctricos.
- Ao trabalhar com a ferramenta eléctrica ao ar livre, use um cabo de extensão apropriado para áreas externas.** O uso de um cabo apropriado para áreas externas reduz o risco de choques eléctricos.
- Se não for possível evitar o funcionamento da ferramenta eléctrica em áreas húmidas, deverá ser utilizado um disjuntor de corrente de avaria.** A utilização de um disjuntor de corrente de avaria reduz o risco de um choque eléctrico.

### 3) SEGURANÇA DE PESSOAS

- a) **Esteja alerta, observe o que está a fazer, e tenha prudência ao trabalhar com a ferramenta eléctrica. Não use a ferramenta eléctrica se estiver fatigado ou sob a influência de drogas, álcool ou medicamentos.** Um momento de falta de atenção durante a operação da ferramenta eléctrica pode causar graves lesões.
  - b) **Utilizar equipamento de protecção pessoal e sempre óculos de protecção.** A utilização de equipamento de protecção pessoal, como máscara de protecção contra pó, sapatos de segurança antiderrapantes, capacete de segurança ou protecção auricular, de acordo com o tipo e aplicação da ferramenta eléctrica, reduz o risco de lesões.
  - c) **Evitar uma colocação em funcionamento involuntária. Assegure-se de que a ferramenta eléctrica esteja desligada, antes de conectá-la à alimentação de rede e/ou ao acumulador, antes de levantá-la ou de transportá-la.** Se tiver o dedo no interruptor ao transportar a ferramenta eléctrica ou se o aparelho for conectado à alimentação de rede enquanto estiver ligado, poderão ocorrer acidentes.
  - d) **Remover chaves de ajustes ou chaves de fenda, antes de ligar a ferramenta eléctrica.** Uma chave de fenda ou chave de ajuste que se encontre numa parte móvel do aparelho, pode levar a lesões.
  - e) **Não se sobrestime. Mantenha uma posição firme e mantenha sempre o equilíbrio.** Desta forma poderá ser mais fácil controlar o aparelho em situações inesperadas.
  - f) **Use roupa apropriada. Não use roupa larga ou jóias. Mantenha os cabelos e roupas afastados de partes em movimento.** Roupas largas, jóias ou cabelos longos podem ser agarradas por partes em movimento.
  - g) **Se for prevista a montagem de dispositivos de aspiração de pó e de dispositivos de recolha, assegure-se de que estão conectados e que sejam utilizados de forma correcta.** A utilização de uma aspiração de pó pode reduzir o perigo devido ao pó.
  - h) **Não deixe que a familiaridade resultante de uma utilização frequente de ferramentas permita que você se torne complacente e ignore os princípios de segurança da ferramenta.** Uma acção descuidada pode causar ferimentos graves numa fração de segundo.
- ### 4) USO E TRATAMENTO DE FERRAMENTAS ELÉTRICAS
- a) **Não sobrecarregue a ferramenta eléctrica. Use para o seu trabalho a ferramenta eléctrica correcta.** A ferramenta correcta realizará o trabalho de forma melhor e mais segura dentro da faixa de potência indicada.
  - b) **Não utilize a ferramenta eléctrica se o interruptor não puder ser ligado nem desligado.** Qualquer ferramenta eléctrica que não possa ser controlada através do interruptor de ligar-desligar, é perigosa e deve ser reparada.
  - c) **Puxar a ficha da tomada e/ou remover o acumulador, se amovível, antes de executar ajustes na ferramenta, de substituir acessórios ou de guardar a ferramenta.** Esta medida de segurança evita que a ferramenta eléctrica seja ligada acidentalmente.
  - d) **Guarde ferramentas eléctricas que não estiverem sendo utilizadas, for a do alcance de crianças. Não permita que o aparelho seja utilizado por pessoas**

- não familiarizadas com o mesmo ou que não tenham lido estas instruções.** Ferramentas eléctricas são perigosas nas mãos de pessoas sem treinamento.
  - e) **Trate a ferramenta eléctrica e os acessórios com cuidado. Verifique se as partes móveis do aparelho funcionam perfeitamente e não emperram, se há peças quebradas ou danificadas, que possam influenciar o funcionamento do aparelho. Peças danificadas devem ser reparadas antes da utilização do aparelho.** Muitos acidentes tem como causa uma manutenção insuficiente das ferramentas eléctricas.
  - f) **Mantenha as ferramentas de corte sempre afiadas e limpas.** Ferramentas de cortes devidamente tratadas, com cantos afiados travam com menos frequência e podem ser controladas com maior facilidade.
  - g) **Use a ferramenta eléctrica, os acessórios os bits da ferramenta etc., de acordo com estas instruções. Considere também as condições de trabalho e o trabalho a ser efectuado.** A utilização da ferramenta eléctrica para outros fins que os previstos, pode resultar em situações perigosas.
  - h) **Mantenha os punhos e as superfícies de agarrar secas, limpas e livres de óleo e massa consistente.** Punhos e superfícies de agarrar escorregadias não permitem o manuseio e controlo seguros da ferramenta em situações inesperadas.
- ### 5) USO E TRATAMENTO DE APARELHOS COM ACUMULADOR
- a) **Apenas deverá carregar em carregadores, acumuladores recomendados pelo fabricante.** Um carregador que é apropriado para um tipo de acumulador, pode causar um incêndio se se for utilizado para carregar outros acumuladores.
  - b) **Apenas utilize nas ferramentas eléctricas os acumuladores previstos.** A utilização de outros acumuladores pode levar a lesões e riscos de incêndio.
  - c) **Quando o acumulador não estiver em uso, mantenha-o afastado de outros objectos de metal, como por exemplo agrafos, moedas, chaves, pregos, parafusos, ou outros pequenos objectos metálicos que possam ligar em ponte os contactos.** Um curto circuito entre os contactos do acumulador pode causar queimaduras ou incêndio.
  - d) **Aplicações inadequadas podem provocar fugas do líquido do acumulador. Evite o contacto com este líquido. No caso de um contacto accidental, lave imediatamente com água fresca. Se o líquido entrar em contacto com os olhos, procure um auxílio médico.** O líquido que escapa do acumulador pode levar a irritações ou queimaduras da pele.
  - e) **Não use um acumulador ou uma ferramenta danificada ou modificada.** Os acumuladores danificados ou modificados exibem um comportamento imprevisível podendo causar incêndio, explosão ou risco de lesão.
  - f) **Não exponha o acumulador ou a ferramenta ao fogo ou temperatura excessiva.** Exposição ao fogo ou a uma temperatura acima de 130°C pode causar explosão.
  - g) **Siga todas as instruções de carregamento e não carregue o acumulador ou a ferramenta fora da faixa de temperatura especificada no manual de instruções.** Carregar indevidamente ou em temperaturas fora da faixa especificada pode danificar o

acumulador e aumentar o risco de incêndio.

#### 6) SERVIÇO

- a) **A sua ferramenta eléctrica só deve ser reparada por pessoal qualificado e só devem ser colocadas peças sobressalentes originais.** Desta forma é assegurada a segurança da ferramenta eléctrica.
- b) **Nunca tente reparar acumuladores danificados.** A reparação de acumuladores deve ser realizada apenas pelo fabricante ou agentes de assistência autorizados.

### INSTRUÇÕES DE SEGURANÇA PARA SERRAS DE SABRE SEM FIO

- **Segurar a ferramenta eléctrica pelas superfícies de punho isoladas ao executar trabalhos durante os quais o acessório de corte possa atingir cabos eléctricos escondidos** (o contacto do acessório de corte com um cabo sob tensão também pode colocar sob tensão as peças metálicas da ferramenta e levar a um choque eléctrico)
- **Utilize os grampos ou outra forma prática para apoiar e fixar a peça de trabalho numa plataforma estável** (segurar o trabalho com a mão ou contra o corpo deixa a peça instável e pode provocar a perda de controlo)

#### ACESSÓRIOS

- A SKIL só pode garantir um funcionamento perfeito da ferramenta, quando utilizada com os acessórios originais
- Utilize apenas acessórios com um número de rotação admissível no mínimo tão alto como o mais alto número de rotação em vazio da ferramenta

#### ANTES DA UTILIZAÇÃO

- Evite danificar a ferramenta em superfícies com pregos ou parafusos; remova-os antes de começar a trabalhar
- **Utilizar detectores apropriados para detectar tubos e cabos de alimentação escondidos, ou consulte a firma de alimentação local** (o contacto com um cabo eléctrico pode levar a incêndio e choque eléctrico; a danificação de um cano de gás pode levar à explosão; a penetração de uma tubulação de água provoca danos materiais ou pode provocar um choque eléctrico)

#### SEGURANÇA DE PESSOAS

- Esta ferramenta não deve ser utilizada por pessoas menores de 16 anos
- **Não processar material que contenha asbesto** (asbesto é considerado como sendo cancerígeno)
- O pó do material, como tinta com chumbo, algumas espécies de madeira, minerais e metais, pode ser prejudicial (contacto ou inalação do pó pode provocar reacções alérgicas e/ou doenças respiratórias ao operador ou às pessoas presentes); **use máscara respiratória e trabalhe com um dispositivo de extracção de pó quando ligado a**
- Determinados tipos de pó são classificados como substâncias cancerígenas (como pó de carvalho e faia), em especial, juntamente com aditivos para acondicionamento da madeira; **use máscara respiratória e trabalhe com um dispositivo de extracção de pó quando ligado a**
- Siga o regulamento nacional quanto a extracção de pó, em função dos materiais que vão ser utilizados
- **Mantenha as mãos afastadas da zona de corte e da lâmina; mantenha a outra mão no punho do cano F ②** (se ambas as mãos estiverem a segurar a serra, não poderá cortá-las com a lâmina)
- **Não coloque a mão por baixo da peça de trabalho** (a distância da lâmina em relação à sua mão não é visível)

- **Nunca segure a peça a cortar com as mãos nem a coloque sobre as pernas** (é importante apoiar devidamente a peça de trabalho de forma a minimizar o perigo para o corpo, a possibilidade de a lâmina prender ou de perder o controlo da ferramenta)
- **Não use uma lâmina que esteja cega ou danificada** (as lâminas torcidas podem partir-se facilmente ou provocar ricochete)
- **Utilize luvas de protecção para remover a lâmina da ferramenta** (a lâmina da serra pode estar quente após uma utilização prolongada)
- Use óculos de protecção e protectores para os ouvidos

#### BATERIAS

- **A bateria fornecida tem apenas carga parcial** (para assegurar a capacidade total da bateria, carregue completamente a bateria no carregador antes de usar a sua ferramenta eléctrica pela primeira vez)
- **Utilize apenas as seguintes baterias e carregadores com esta ferramenta**
  - Bateria SKIL: BR1\*31\*\*\*\*
  - Carregador SKIL: CR1\*31\*\*\*\*
- Não utilize baterias danificadas; devem ser substituídas imediatamente
- Não desmonte a bateria
- Não exponha a ferramenta/bateria à chuva
- Temperatura ambiente permitida (ferramenta/carregador/bateria):
  - durante o carregamento 4...40°C
  - durante o funcionamento -20...+50°C
  - durante o armazenamento -20...+50°C

#### EXPLICAÇÃO DOS SÍMBOLOS DA FERRAMENTA/BATERIA

- ③ Leia o manual de instruções antes de utilizar o equipamento
- ④ As baterias explodirão quando colocadas num fogo, por isso, não queime as baterias por nenhum motivo
- ⑤ Guarde a ferramenta/carregador/bateria em locais onde a temperatura não exceda os 50°C
- ⑥ Não deite ferramentas eléctricas e pilhas no lixo doméstico

### MANUSEAMENTO

- Recarga da bateria
  - ! **leia os avisos de segurança e as instruções fornecidos com o carregador**
- Remover/instalar a bateria ②
- Indicador de nível da bateria ⑦
  - prima o botão do indicador de nível da bateria L para apresentar o nível actual da bateria ⑦a
  - ! **quando o nível mais baixo do indicador da bateria ficar intermitente depois de premir o botão L ⑦b, a bateria está vazia**
  - ! **quando os níveis 2 do indicador da bateria ficarem intermitentes depois de premir o botão L ⑦c, a bateria não está dentro do intervalo da temperatura de funcionamento permitido**
- Luz LED ⑧
  - A luz LED acende-se quando o ativar o interruptor de ligar/desligar
  - ! **quando a luz LED ficar intermitente, a protecção da bateria está ativada (ver abaixo)**
- Protecção da bateria
  - A ferramenta desliga-se repentinamente ou não se liga quando
    - a carga é muito elevada --> retire carga e recomece

- a temperatura da bateria não está dentro do intervalo da temperatura de funcionamento de -20 a +50°C --> Os níveis 2 do indicador do nível da bateria ficam intermitentes quando premir o botão L (7)c; aguarde até a bateria voltar ao intervalo de temperatura de funcionamento permitido
- a bateria está quase vazia (para proteção contra uma descarga profunda) --> um nível baixo da bateria ou um nível da bateria baixo intermitente (7)b aparece através do indicador de nível da bateria quando prime o botão L; carregue a bateria

**! não continue a premir o interruptor de ligar/desligar após a desactivação automática da ferramenta; pode danificar a bateria**

- Interruptor combinado para ligar/desligar e controlo de velocidade com botão de bloqueio (9) (10)
  - primeiro desbloqueie premindo o botão A
  - ligue a ferramenta premindo o gatilho B
  - o controlo da velocidade é feito do zero até ao máximo possível, pressionando o gatilho, para mais ou para menos velocidade
  - desligue a ferramenta soltando o gatilho B
- O botão de bloqueio A pode ser activado (9)
  - se activado, o interruptor de ligar/desligar está bloqueado e a máquina está segura contra accionamento acidental
- Montagem da lâmina da serra (11)
  - rode o gancho da lâmina C na mesma direcção da seta D na ferramenta e mantenha-a nessa posição
  - insira a lâmina (com os dentes virados para cima ou para baixo) completamente
  - solte o gancho da lâmina C
  - empurre para dentro e puxe para fora a lâmina para verificar que está correcta bloqueada
- Remoção da lâmina da serra (11)

**! retire a bateria da ferramenta antes de efectuar qualquer regulação ou mudar de acessório**

- rode o gancho da lâmina C na mesma direcção da seta D na ferramenta e mantenha-a nessa posição
- remova a lâmina
- solte o gancho da lâmina C

- Acção orbital para corte rápido (12)
  - para activar a acção da serra de sabre, utilize o interruptor N conforme ilustrado

**! não active a acção orbital ao cortar metais**

- Utilização da ferramenta
  - **! fixe firmemente a peça a trabalhar**
  - marque a linha de corte na peça
  - monte a bateria na ferramenta
  - segure a ferramenta com uma mão na pega E e a outra no punho do cano F
  - ligue a ferramenta
  - oriente a ferramenta ao longo da linha de corte marcada
  - mantenha a plataforma G com firmeza contra a peça para minimizar a força de resistência e as vibrações
- Segurar e guiar a ferramenta

**! durante o trabalho, segure sempre a ferramenta na(s) área(s) de fixação cinzenta(s) (13)**

- mantenha as aberturas de ventilação H destapadas
- não exerça demasiada pressão na ferramenta; deixe a ferramenta trabalhar espontaneamente

**! verifique que a lâmina da serra se estende além da peça através do curso (14)**

- Ajustar a profundidade efectiva de corte (15)
  - **! retire a bateria da ferramenta antes de efectuar qualquer regulação ou mudar de acessório**
  - use a chave hexagonal K para desapertar e apertar as duas porcas de fixação J
  - deslize a placa de pé G para a frente/para trás para ampliar/reduzir a profundidade efectiva de corte

## CONSELHOS DE APLICAÇÃO

- Corte vertical (16)
  - Os cortes na vertical podem ser feitos na madeira e outros materiais moles sem pré-furar um buraco
  - utilize uma lâmina de serra fina
  - **! retire a bateria da ferramenta antes de efectuar qualquer regulação ou mudar de acessório**
  - monte a lâmina com os dentes virados para cima
  - marque a linha de corte pretendida na peça
  - incline a ferramenta para que a lâmina não toque na peça
  - ligue a ferramenta e insira a lâmina da serra em movimento na peça a trabalhar
  - quando a lâmina tiver penetrado através da peça, continue a serra ao longo da linha de corte marcada
  - **! não faça cortes na vertical em materiais metálicos**
- Utilize as lâminas apropriadas (17)
- Ao cortar metais, lubrifique a lâmina regularmente com óleo adequado
- Cortar sem aparas
  - cubra a linha de corte com várias camadas de fita adesiva larga antes de começar a cortar
  - coloque sempre a peça a trabalhar com a face virada para baixo
- Para mais informação, consulte [www.skil.com](http://www.skil.com)

## MANUTENÇÃO / SERVIÇO

- Esta ferramenta não se destina a utilização profissional
- Mantenha a ferramenta sempre limpa (especialmente as ranhuras de respiração H (2))
  - **! retire a bateria da ferramenta antes de limpar**
- Se a ferramenta falhar apesar de cuidadosos processos de fabricação e de teste, a reparação deverá ser executada por uma oficina de serviço autorizada para ferramentas eléctricas SKIL
  - envie a ferramenta **sem desmontar**, juntamente com a prova de compra, para o seu revendedor ou para o centro de assistência SKIL mais próximo (os endereços assim como a mapa de peças da ferramenta estão mencionados no [www.skil.com](http://www.skil.com))
- Não se esqueça de que os danos provocados por sobrecarga ou manuseamento incorrecto da ferramenta estão excluídos da garantia (para mais informações sobre as condições da garantia da SKIL, consulte [www.skil.com](http://www.skil.com) ou pergunte ao seu revendedor)

## AMBIENTE

- **Não deite ferramentas eléctricas, pilhas, acessórios e embalagem no lixo doméstico** (apenas para países da UE)
  - de acordo com a directiva europeia 2012/19/CE sobre ferramentas eléctricas e electrónicas usadas e a transposição para as leis nacionais, as ferramentas

eléctricas usadas devem ser recolhidas em separado e encaminhadas a uma instalação de reciclagem dos materiais ecológica

- símbolo ⑥ lhe avisará em caso de necessidade de arranja-las

! **proteja os terminais da bateria com fita isoladora antes de a expor de modo a evitar curto-circuitos**

## RUÍDO / VIBRAÇÃO

- O nível de pressão sonora desta ferramenta, medido de acordo com a EN 62841, é de 85,0 dB(A) e o nível de potência acústica é de 96,0 dB(A) (incerteza K = 5 dB), e a vibração \* (soma do vector triax; incerteza K = 1,5 m/s<sup>2</sup>)
    - \* serrar tábuas 9,9 m/s<sup>2</sup>
    - \* serrar vigas de madeira 9,5 m/s<sup>2</sup>
  - O nível de emissão de vibrações foi medido de acordo com um teste normalizado fornecido na EN 62841; pode ser utilizado para comparar uma ferramenta com outra e como uma avaliação preliminar de exposição à vibração quando utilizar a ferramenta para as aplicações mencionadas
    - utilizar a ferramenta para diferentes aplicações ou com acessórios diferentes ou mantidos deficientemente, pode **aumentar** significativamente o nível de exposição
    - o número de vezes que a ferramenta é desligada ou quando estiver a trabalhar sem fazer nada, pode **reduzir** significativamente o nível de exposição
- ! **proteja-se contra os efeitos da vibração, mantendo a ferramenta e os acessórios, mantendo as mãos quentes e organizando os padrões de trabalho**

1

## Sega a gattuccio brushless 3480 senza filo

### INTRODUZIONE

- Questo utensile è previsto per il taglio di legno, plastica, metalli e materiali da costruzione, nonché per la potatura e rifinitura di alberi; è inoltre adatto a tagli dritti e curvi
- Questo utensile non è inteso per un uso professionale
- Leggete e conservate questo manuale di istruzione ③

### DATI TECNICI ①

### ELEMENTI UTENSILE ②

- A Manopola di blocco
- B Interruttore di accensione/spegnimento e regolazione della velocità
- C Ferma lama
- D Freccia
- E Impugnatura
- F Impugnatura sul corpo
- G Guida regolabile
- H Feritoie di ventilazione
- J Bulloni di fissaggio
- K Chiave esagonale
- L Indicatore del livello batteria
- M Spia LED
- N Interruttore dell'azione orbitale

## SICUREZZA

### AVVERTENZE GENERALI DI PERICOLO PER ELETTROUTENSILI

⚠ **AVVERTENZA** Leggere tutte le avvertenze di sicurezza, istruzioni, illustrazioni e specifiche fornite con l'utensile. La mancata osservanza di tutte le istruzioni sottoelencate potrebbe causare delle scariche elettriche, principi d'incendio e/o gravi lesioni.

**Conservare tutte le avvertenze di pericolo e le istruzioni operative per ogni esigenza futura.**

Il termine "elettroutensile" utilizzato nelle avvertenze di pericolo si riferisce ad elettroutensili alimentati dalla rete (con linea di allacciamento) ed ad elettroutensili alimentati a batteria (senza linea di allacciamento).

#### 1) SICUREZZA DELLA POSTAZIONE DI LAVORO

- a) **Mantenere pulito ed ordinato il posto di lavoro.** Il disordine o le zone di lavoro non illuminate possono essere fonte di incidenti.
- b) **Evitare d'impiegare l'elettroutensile in ambienti soggetti al rischio di esplosioni nei quali si trovino liquidi, gas o polveri infiammabili.** Gli elettroutensili producono scintille che possono far infiammare la polvere o i gas.
- c) **Mantenere lontani i bambini ed altre persone durante l'impiego dell'elettroutensile.** Eventuali distrazioni potranno comportare la perdita del controllo sull'elettroutensile.

#### 2) SICUREZZA ELETTRICA

- a) **La spina per la presa di corrente dovrà essere adatta alla presa. Evitare assolutamente di apportare modifiche alla spina. Non impiegare spine adattatrici assieme ad elettroutensili con collegamento a terra.** Le spine non modificate e le prese adatte allo scopo riducono il rischio di scosse elettriche.
- b) **Evitare il contatto fisico con superfici collegate a terra, come tubi, riscaldamenti, cucine elettriche e frigoriferi.** Sussiste un maggior rischio di scosse elettriche nel momento in cui il corpo è messo a massa.
- c) **Custodire l'elettroutensile al riparo dalla pioggia o dall'umidità.** L'eventuale infiltrazione di acqua in un elettroutensile va ad aumentare il rischio d'insorgenza di scosse elettriche.
- d) **Non usare il cavo per scopi diversi da quelli previsti al fine di trasportare o appendere l'elettroutensile, oppure di togliere la spina dalla presa di corrente. Mantenere l'elettroutensile al riparo da fonti di calore, dall'olio, dagli spigoli o da pezzi in movimento.** I cavi danneggiati o aggrovigliati aumentano il rischio d'insorgenza di scosse elettriche.
- e) **Qualora si voglia usare l'elettroutensile all'aperto, impiegare solo ed esclusivamente cavi di prolunga omologati per l'impiego all'esterno.** L'uso di un cavo di prolunga omologato per l'impiego all'esterno riduce il rischio d'insorgenza di scosse elettriche.
- f) **Qualora non fosse possibile evitare di utilizzare l'elettroutensile in ambiente umido, utilizzare un interruttore di messa a terra.** L'uso di un interruttore di messa a terra riduce il rischio di una scossa elettrica.



### 3) SICUREZZA DELLE PERSONE

- a) **È importante concentrarsi su ciò che si sta facendo e a maneggiare con giudizio l'elettrotensile durante le operazioni di lavoro. Non utilizzare l'elettrotensile in caso di stanchezza o sotto l'effetto di droghe, bevande alcoliche e medicinali.** Un attimo di distrazione durante l'uso dell'elettrotensile potrà causare lesioni gravi.
- b) **Indossare sempre equipaggiamento protettivo individuale. Usare sempre protezioni per gli occhi.** Se si avrà cura d'indossare equipaggiamento protettivo individuale come la maschera antipolvere, la calzatura antistrucchiolevole di sicurezza, il casco protettivo o la protezione dell'udito, a seconda dell'impiego previsto per l'elettrotensile, si potrà ridurre il rischio di ferite.
- c) **Evitare l'accensione involontaria dell'elettrotensile. Prima di collegarlo alla rete di alimentazione elettrica e/o alla batteria ricaricabile, prima di prenderlo oppure prima di iniziare a trasportarlo, assicurarsi che l'elettrotensile sia spento.** Tenendo il dito sopra l'interruttore mentre si trasporta l'elettrotensile oppure collegandolo all'alimentazione di corrente con l'interruttore inserito, si vengono a creare situazioni pericolose in cui possono verificarsi seri incidenti.
- d) **Togliere gli attrezzi di regolazione o la chiave inglese prima di accendere l'elettrotensile.** Un elettrotensile o una chiave inglese che si trovino in una parte dell'elettrotensile in rotazione potranno causare lesioni.
- e) **È importante non sopravvalutarsi. Avere cura di mettersi in posizione sicura e di mantenere l'equilibrio.** In tale maniera sarà possibile controllare meglio l'elettrotensile in situazioni inaspettate.
- f) **Indossare vestiti adeguati. Evitare di indossare vestiti lenti o gioielli. Tenere capelli e vestiti lontani da parti in movimento.** Vestiti lenti, gioielli o capelli lunghi potranno impigliarsi in pezzi in movimento.
- g) **Se sussiste la possibilità di montare dispositivi di aspirazione o di captazione della polvere, assicurarsi che gli stessi siano stati installati correttamente e vengano utilizzati senza errori.** L'utilizzo di un'aspirazione polvere può ridurre lo svilupparsi di situazioni pericolose dovute alla polvere.
- h) **Una volta presa confidenza con gli utensili, evitare di trascurare le norme di sicurezza.** Una mancanza di attenzione può causare gravi lesioni in una frazione di secondo.
- ### 4) MANEGGIO ED IMPIEGO ACCURATO DI ELETTROUTENSILI
- a) **Non sovraccaricare l'elettrotensile. Impiegare l'elettrotensile adatto per sbrigare il lavoro.** Utilizzando l'elettrotensile adatto si potrà lavorare meglio e con maggior sicurezza nell'ambito della gamma di potenza indicata.
- b) **Non utilizzare elettrotensili con interruttori difettosi.** Un elettrotensile che non si può più accendere o spegnere è pericoloso e dovrà essere riparato.
- c) **Prima di procedere ad operazioni di regolazione sull'elettrotensile, prima di sostituire parti accessorie oppure prima di posare l'elettrotensile al termine di un lavoro, estrarre sempre la spina**

dalla presa della corrente e/o estrarre la batteria ricaricabile, se rimovibile. Tale precauzione eviterà che l'elettrotensile possa essere messo in funzione inavvertitamente.

- d) **Custodire gli elettrotensili non utilizzati al di fuori della portata dei bambini. Non fare usare l'elettrotensile a persone che non sono abituate ad usarlo o che non abbiano letto le presenti istruzioni.** Gli elettrotensili sono pericolosi se utilizzati da persone inesperte.
- e) **Eseguire la manutenzione degli elettrotensili e degli accessori. Verificare che le parti mobili dell'elettrotensile funzionino perfettamente e non s'inceppino, che non ci siano pezzi rotti o danneggiati al punto tale da limitare la funzione dell'elettrotensile stesso. Far riparare le parti danneggiate prima d'impiegare l'elettrotensile.** Numerosi incidenti vengono causati da elettrotensili la cui manutenzione è stata effettuata poco accuratamente.
- f) **Mantenere affilati e puliti gli elettrotensili da taglio.** Gli elettrotensili da taglio curati con particolare attenzione e con taglienti affilati s'inceppano meno frequentemente e sono più facili da condurre.
- g) **Utilizzare elettrotensili, accessori, attrezzi, ecc. in conformità con le presenti istruzioni. Osservare le condizioni di lavoro ed il lavoro da eseguirsi durante l'impiego.** L'impiego di elettrotensili per usi diversi da quelli consentiti potrà dar luogo a situazioni di pericolo.
- h) **Mantenere impugnature e superfici di presa asciutte, pulite e prive di olio e grasso.** Impugnature e superfici di presa scivolose non consentono di manipolare e controllare l'utensile in caso di situazioni inaspettate.
- ### 5) MANEGGIO ED IMPIEGO ACCURATO DI ACCUMULATORI
- a) **Caricare l'accumulatore solo ed esclusivamente nei dispositivi di carica consigliati dal produttore.** Per un dispositivo di carica previsto per un determinato tipo di accumulatore, sussiste pericolo di incendio, se utilizzato con un accumulatore di tipo diverso.
- b) **Utilizzare negli elettrotensili solo ed esclusivamente gli accumulatori previsti allo scopo.** L'uso di accumulatori di tipo diverso potrà dare insorgenza a lesioni e comportare il rischio d'incendi.
- c) **Tenere l'accumulatore non utilizzato lontano da graffette, monete, chiavi, chiodi, viti o da altri oggetti in metallo di piccole dimensioni che potrebbero causare un ponte tra i contatti.** Un eventuale corto circuito tra i contatti dell'accumulatore potrà dare origine a bruciature o ad incendi.
- d) **In caso di impiego sbagliato, potranno insorgere fuoriuscite di liquido dall'accumulatore. Evitarne il contatto. In caso di contatto casuale, sciacquare con acqua. Qualora il liquido dovesse entrare in contatto con gli occhi, chiedere immediato consiglio al medico.** Il liquido fuoriuscito dall'accumulatore potrà causare irritazioni cutanee o bruciature.
- e) **Non utilizzare una batteria ricaricabile, né un elettrotensile, qualora siano danneggiati o siano stati modificati.** Batterie danneggiate o modificate possono comportare problemi non prevedibili, causando incendi, esplosioni e possibili lesioni.
- f) **Non esporre una batteria ricaricabile o un elettrotensile al fuoco o a temperature eccessive.**

L'esposizione al fuoco o a temperature superiori a 130°C può causare esplosioni.

- g) **Rispettare tutte le istruzioni di carica e non caricare la batteria ricaricabile o l'elettrotensile fuori dal campo di temperatura indicato nelle istruzioni stesse.** Una carica non corretta, o fuori dal campo di temperatura indicato, può comportare danni alla batteria ed aumentare il pericolo di incendio.
- 6) **ASSISTENZA**
- a) **Fare riparare l'elettrotensile solo ed esclusivamente da personale specializzato e solo impiegando pezzi di ricambio originali.** In tale maniera potrà essere salvaguardata la sicurezza dell'elettrotensile.
- b) **Non sottoporre in alcun caso a manutenzione batterie ricaricabili danneggiate.** La manutenzione di batterie ricaricabili andrà effettuata esclusivamente dal produttore o da fornitori di servizi appositamente autorizzati.

## ISTRUZIONI DI SICUREZZA PER SEGHE A GATTOCCIO SENZA FILI

- **Tenere l'elettrotensile per le superfici isolate dell'impugnatura qualora venissero effettuati lavori durante i quali l'accessorio potrebbe venire a contatto con cavi elettrici nascosti** (il contatto con un cavo sotto tensione può mettere sotto tensione anche parti metalliche dell'elettrotensile, causando una scossa elettrica)
- **Utilizzare morsetti o altre attrezzature per fissare e sostenere il pezzo di lavorazione a una piattaforma stabile** (tenere il pezzo in lavorazione in mano o stretto al corpo è instabile e può far perdere il controllo dell'utensile)

## ACCESSORI

- La SKIL garantisce un perfetto funzionamento dell'utensile soltanto se vengono utilizzati accessori originali
- Utilizzate solo accessori il cui numero massimo di giri corrisponda almeno al massimo dei numeri di giri dell'utensile

## PRIMA DELL'USO

- Evitate possibili danneggiamenti da viti e chiodi sporgenti; rimuoverli prima di iniziare la lavorazione
- **Al fine di rilevare possibili linee di alimentazione nascoste, utilizzare adatte apparecchiature di ricerca oppure rivolgersi alla locale società erogatrice** (un contatto con linee elettriche può provocare lo sviluppo di incendi e di scosse elettriche; danneggiando linee del gas si può creare il pericolo di esplosioni; penetrando una tubazione dell'acqua si provocano seri danni materiali oppure vi è il pericolo di provocare una scossa elettrica)

## SICUREZZA DELLE PERSONE

- Questo utensile non dev'essere utilizzato da persone di età inferiore ai 16 anni
- **Non lavorare mai materiali contenenti amianto** (l'amianto è ritenuto materiale cancerogeno)
- Le polveri di materiali come vernici contenenti piombo, alcune specie di legno, minerali e metallo possono essere nocive (il contatto con queste polveri o la loro inalazione possono causare reazioni allergiche e/o disturbi respiratori all'operatore o ad altre persone presenti sul posto); **indossare una maschera protettiva per la polvere e utilizzare un dispositivo**

## per l'estrazione della polvere se è presente una presa di collegamento

- Alcuni tipi di polvere sono classificati come cancerogeni (quali le polveri di quercia e faggio) specialmente se associate ad additivi per il trattamento del legno; **indossare una maschera protettiva per la polvere e utilizzare un dispositivo per l'estrazione della polvere se è presente una presa di collegamento**
- Rispettare le istruzioni nazionali riguardanti l'estrazione della polvere per i materiali in lavorazione
- **Tenere le mani distanti dall'area di taglio e dalla lama; stringere con l'altra mano l'impugnatura sul corpo F ②** (se entrambe le mani sono impegnate a mantenere la sega, non possono essere tagliate dalla lama)
- **Non mettere le mani sotto il pezzo di lavorazione** (la prossimità della lama alla mano non risulta visibile)
- **Non tenere il pezzo da tagliare con le mani oppure sulle gambe** (è importante sì sostenere il pezzo di lavorazione correttamente in modo da ridurre al minimo l'esposizione del corpo, legatura della lama o perdita di controllo)
- **Non utilizzare una lama smussata o danneggiata** (una lama piegata può rompersi facilmente o causare contraccolpi)
- **Utilizzare guanti protettivi per rimuovere la lama dall'utensile** (dopo un uso prolungato la lama potrebbe essersi riscaldata)
- Portare occhiali di protezione e protezione dell'udito

## BATTERIE

- **La batteria fornita è parzialmente caricata** (per garantire la piena capacità della batteria, caricarla completamente con il caricabatteria prima del primo uso dell'elettrotensile)
- **Usare solamente le batterie fornite con questo utensile**
  - Batteria SKIL: BR1\*31\*\*\*\*
  - Caricabatteria SKIL: CR1\*31\*\*\*\*
- Non usare a batteria quando è danneggiata; deve essere sostituita immediatamente
- Non smontare la batteria
- Non esporre utensile/batteria alla pioggia
- Temperatura ambientale consentita (utensile/caricabatteria/batteria):
  - in fase di ricarica 4...40°C
  - in fase d'esercizio -20...+50°C
  - in fase di stoccaggio -20...+50°C

## SPIEGAZIONE DEI SIMBOLI PRESENTI SULL'UTENSILE/ BATTERIA

- ③ Leggere il manuale di istruzioni prima dell'uso
- ④ Le batterie esplodono se gettate nel fuoco, pertanto non bruciare le batterie per alcun motivo
- ⑤ Riponete utensile/caricabatteria/batteria in luoghi ove non si superino i 50°C
- ⑥ Non gettare l'elettrotensile e le batterie con i rifiuti domestici

## USO

- Ricarica batteria
- **! leggere le avvertenze di sicurezza e le istruzioni fornite con il caricabatteria**
- Rimozione/installazione della batteria ②
- Indicatore del livello batteria ⑦
  - premere il pulsante dell'indicatore del livello batteria L per visualizzare il livello attuale ⑦a

- ! se il livello più basso dell'indicatore del livello batteria inizia a lampeggiare dopo aver premuto il pulsante L (7)b, la batteria è scarica
- ! se i 2 livelli dell'indicatore del livello batteria iniziano a lampeggiare dopo aver premuto L (7)c, la temperatura della batteria non rientra nel campo dei valori di impiego consentiti
- Spia LED (8)
 

La spia LED si accende automaticamente quando si attiva l'interruttore di acceso/spento

! quando la spia LED inizia a lampeggiare, la protezione per la batteria è attivata (vedi sotto)
- Protezione per la batteria
 

L'utensile si spegne improvvisamente o non può essere acceso, quando

  - il carico è troppo alto --> rimuovere il carico e riavviare
  - la temperatura della batteria non rientra nel campo dei valori di impiego massimi di -20 e +50°C --> 2 i livelli dell'indicatore del livello batteria iniziano a lampeggiare se si preme il pulsante L (7)c; attendere finché la batteria non è rientrata nel campo dei valori di impiego consentiti
  - la batteria è quasi scarica (per proteggerla contro la scarica profonda) --> l'indicatore del livello batteria mostra un livello batteria basso o un livello batteria lampeggiante (7)b se si preme il pulsante L; caricare la batteria

! non continuare a premere l'interruttore on/off dopo che l'utensile si è spento automaticamente: ciò potrebbe danneggiare la batteria
- Interruttore combinato di acceso/spento e controllo della velocità con manopola di blocco (9) (10)
  - sbloccare premendo la manopola A
  - per accendere il vostro utensile schiacciare l'interruttore B
  - il controllo della velocità da zero giri al massimo è dato dalla pressione più o meno forte sull'interruttore
  - spegnere rilasciando il grilletto B
- La manopola di blocco A può essere attivata (9)
  - se attivato, l'interruttore di acceso/spento è bloccato e l'utensile è protetto contro l'accensione accidentale
- Montaggio della lama da sega (11)
 

! rimuovere la batteria dall'utensile prima di svolgere una regolazione o sostituire un accessorio

  - girare la lama C nella stessa direzione della freccia D sull'utensile e mantenerlo in questa posizione
  - inserire la lama (con i denti rivolti verso il basso o verso l'alto) alla sua piena profondità
  - rilasciare il ferma lama C
  - provare a spingere e ad estrarre la lama per verificare che sia bloccata correttamente
- Rimozione della lama da sega (11)
 

! rimuovere la batteria dall'utensile prima di svolgere una regolazione o sostituire un accessorio

  - girare il ferma lama C nella stessa direzione della freccia D sull'utensile e mantenerlo in questa posizione
  - estrarre la lama
  - rilasciare il ferma lama C
- Azione orbitale per un taglio rapido (12)
  - per attivare l'azione orbitale della lama della sega utilizzare l'interruttore N come illustrato

! non attivare l'azione orbitale quando si tagliano metalli
- Uso dell'utensile
 

! fissare saldamente il pezzo da lavorare

  - marcare la linea di taglio sul pezzo
  - inserire la batteria nell'utensile
  - tenere l'utensile con una mano sull'impugnatura E e l'altra mano stretta intorno all'impugnatura isolata sul corpo F
  - accendere l'utensile
  - guidare l'utensile lungo la linea di taglio marcata
  - tenere la guida G saldamente poggiata sul pezzo per ridurre al minimo contraccolpi e vibrazioni
- Tenuta e guida dell'utensile
 

! durante la lavorazione, impugna l'utensile sempre in corrispondenza della(e) area(e) grigia(e) (13)

  - tenere scoperte le feritoie di ventilazione H
  - non applicare una pressione eccessiva all'utensile; lasciate che sia l'utensile a lavorare per voi

! accertarsi che la lama sporga dal pezzo in lavorazione attraverso il taglio (14)
- Regolare la profondità effettiva di taglio (15)
 

! rimuovere la batteria dall'utensile prima di svolgere una regolazione o sostituire un accessorio

  - usare una chiave esagonale K per allentare e serrare entrambi i dadi di fissaggio J
  - far scorrere la piastra inferiore G in avanti/indietro, al fine di aumentare/ridurre la profondità di taglio

## CONSIGLIO PRATICO

- Penetrazione e taglio (16)
 

La lavorazione penetrazione e taglio può essere svolta su legno o altri materiali teneri senza necessità di praticare preventivamente un foro

  - utilizzare una lama spessa

! rimuovere la batteria dall'utensile prima di svolgere una regolazione o sostituire un accessorio

  - montare la lama con i denti rivolti verso l'alto
  - marcare la linea di taglio sul pezzo
  - inclinare l'utensile per impedire alla lama di toccare il pezzo da lavorare
  - accendere l'utensile e far penetrare, usando la massima attenzione, la lama ora in funzione nel pezzo
  - dopo la penetrazione della lama nel pezzo, continuare a tagliare lungo la linea di taglio precedentemente marcata

! non eseguire lavorazioni penetrazione e taglio su metalli
- Usare le lame appropriate (17)
- Quando si tagliano metalli, lubrificare la lama regolarmente con olio
- Taglio senza schegge
  - coprire la linea di taglio con più strati di nastro largo prima di taglio
  - posizionare sempre la parte più rifinita del pezzo in lavorazione verso il basso
- Per ulteriori informazioni consultare il sito [www.skil.com](http://www.skil.com)

## MANUTENZIONE / ASSISTENZA

- Questo utensile non è inteso per un uso professionale
- Tenere sempre pulito l'utensile (soprattutto le feritoie di ventilazione H ②)
  - ! **rimuovere la batteria dall'utensile prima della pulizia**
- Se nonostante gli accurati procedimenti di produzione e di controllo l'utensile dovesse guastarsi, la riparazione va fatta effettuare da un punto di assistenza autorizzato per gli elettroutensili SKIL
  - inviare l'utensile **non smontato** assieme alle prove di acquisto al rivenditore oppure al più vicino centro assistenza SKIL (l'indirizzo ed il disegno delle parti di ricambio dell'utensile sono riportati su [www.skil.com](http://www.skil.com))
- Tenere presente che danni causati da sovraccarico o utilizzo improprio sono esclusi dalla garanzia (per la condizioni di garanzia SKIL, visitare il sito [www.skil.com](http://www.skil.com) o contattare il proprio rivenditore)

## TUTELA DELL'AMBIENTE

- **Non gettare l'elettroutensile, le batterie, gli accessori e l'imballaggio con i rifiuti domestici** (solo per Paesi UE)
  - secondo la Direttiva Europea 2012/19/CE sui rifiuti di utensili elettrici ed elettronici e la sua attuazione in conformità alle norme nazionali, gli elettroutensili esausti devono essere raccolti separatamente, al fine di essere reimpiagati in modo eco-compatibile
  - il simbolo ⑥ vi ricorderà questo fatto in fase di smaltimento
  - ! **prima dello smaltimento proteggere i terminali delle batterie con nastro pesante per prevenire cortocircuiti**

## RUMOROSITÀ / VIBRAZIONE

- Misurato secondo EN 62841, il livello di pressione sonora garantito di questo utensile è di 85,0 dB(A), il livello di rumorosità è di 96,0 dB(A) (incertezza K = 5 dB) e il livello delle vibrazioni di \* (somma vettoriale di tre direzioni; incertezza K = 1.5 m/s<sup>2</sup>)
  - \* taglio di pannelli 9,9 m/s<sup>2</sup>
  - \* taglio di travi di legno 9,5 m/s<sup>2</sup>
- Il livello di emissione delle vibrazioni è stato misurato in conformità a un test standardizzato stabilito dalla norma EN 62841; questo valore può essere utilizzato per mettere a confronto un l'utensile con un altro o come valutazione preliminare di esposizione alla vibrazione quando si impiega l'utensile per le applicazioni menzionate
  - se si utilizza l'utensile per applicazioni diverse, oppure con accessori differenti o in scarse condizioni, il livello di esposizione potrebbe **aumentare** notevolmente
  - i momenti in cui l'utensile è spento oppure è in funzione ma non viene effettivamente utilizzato per il lavoro, possono contribuire a **ridurre** il livello di esposizione
  - ! **protegersi dagli effetti della vibrazione effettuando la manutenzione dell'utensile e dei relativi accessori, mantenendo le mani calde e organizzando i metodi di lavoro**

H

## Kefe és vezeték nélküli lengőfűrész

3480

### BEVEZETÉS

- Ez a szerszám fa, műanyag, fém és egyéb építőanyagok vágására, valamint fametszésre és szélezésre; alkalmas, továbbá egyaránt használható egyenes és görbe vonalú fűrészeléshez
- A szerszám nem professzionális használatra készült
- Olvassa el figyelmesen és őrizze meg a használati utasítást ③

### MŰSZAKI ADATOK ①

### SZERSZÁMGÉP ELEMEI ②

- A Rögzítő gomb
- B Be/Ki kapcsoló és sebességszabályozó
- C Fűrészlap rögzítő
- D Nyíl
- E Markolat
- F Elülső markolat
- G Állítható talp
- H Szellőzőnyílások
- J Rögzítőcsavarok
- K Hatszögkulcs
- L Akkumulátor töltöttségi-szint jelző
- M LED-fény
- N Kapcsoljon át lengő előtolásra

### BIZTONSÁG

#### ÁLTALÁNOS BIZTONSÁGI ELŐÍRÁSOK AZ ELEKTROMOS KÉZISZERSZÁMOKHOZ

**FIGYELMEZTETÉS** Olvassa el a szerszámgéphez tartozó biztonsági figyelmeztetéseket, utasításokat, ábrákat és specifikációkat. Az alábbi utasítások figyelmen kívül hagyása elektromos áramütéshez, tűzhöz és/vagy súlyos balesetkez vezethet.

**Őrizze meg a jövőbeli használatra is valamennyi biztonsági előírást és utasítást.**

Az alább alkalmazott "elektromos kéziszerszám" fogalom a hálózati elektromos kéziszerszámokat (hálózati csatlakozó kábel) és az akkumulátoros elektromos kéziszerszámokat (hálózati csatlakozó kábel nélküli) foglalja magában.

#### 1) MUNKAHELYI BIZTONSÁG

- a) **Tartsa tisztán és tartsa rendszerben a munkahelyét.** Rendetlen munkahelyek vagy megvilágítatlan munkaterületek balesetekhez vezethetnek.
- b) **Ne dolgozzon az elektromos kéziszerszámmal olyan robbanásveszélyes környezetben, ahol éghető folyadékok, gázok vagy porok vannak.** Az elektromos kéziszerszámok szikrákat bocsáthatnak ki, amelyek meggyújthatják a port vagy a gőzöket.
- c) **Tartsa távol a gyerekeket és az idegen személyeket a munkahelytől, ha az elektromos kéziszerszámot használja.** Ha elvonják a figyelmét a munkától, könnyen

- elvesztheti az uralmát a berendezés felett.
- 2) **ELEKTROMOS BIZTONSÁGI ELŐÍRÁSOK**
- a) **A készülék csatlakozó dugójának bele kell illeszkednie a dugaszolóaljzatba. A csatlakozó dugót semmilyen módon nem szabad megváltoztatni. Védőföldeléssel ellátott készülékekkel kapcsolatban ne használjon csatlakozó adaptert.** A változtatás nélküli csatlakozó dugók és a megfelelő dugaszoló aljzatok csökkentik az áramütés kockázatát.
- b) **Ne érjen hozzá földelt felületekhez, mint csövekhez, fűtőtestekhez, kályhákhoz és hűtőszekrényekhez.** Az áramütési veszély megnövekszik, ha a teste le van földelve.
- c) **Tartsa távol az elektromos kéziszerszámot az esőtől és a nedvesség hatásaitól.** Ha víz hatol be egy elektromos kéziszerszámba, ez megnöveli az áramütés veszélyét.
- d) **Ne használja a kábelt a rendeltetésétől eltérő célokra, vagyis a szerszámot soha ne hordozza vagy akassza fel a kábelnél fogva, és soha ne húzza ki a hálózati csatlakozó dugót a kábelnél fogva. Tartsa távol a kábelt hőforrásoktól, olajtól, éles élektől, sarkaktól és mozgó gépalkatrészekről.** Egy megrongálódott vagy csomókkal teli kábel megnöveli az áramütés veszélyét.
- e) **Ha egy elektromos kéziszerszámmal a szabad ég alatt dolgozik, csak a szabadban való használatra engedélyezett hosszabbítót használjon.** A szabadban való használatra engedélyezett hosszabbító használata csökkenti az áramütés veszélyét.
- f) **Ha nem lehet elkerülni az elektromos kéziszerszám nedves környezetben való használatát, alkalmazzon egy földzárlat megszakítót.** Egy földzárlat megszakító alkalmazása csökkenti az áramütés kockázatát.
- 3) **SZEMÉLYI BIZTONSÁGI ELŐÍRÁSOK**
- a) **Munka közben mindig figyeljen, ügyeljen arra, amit csinál, és meggondoltan dolgozzon az elektromos kéziszerszámmal. Ha fáradt, ha kábítószerek vagy alkohol hatása alatt áll, vagy orvosságokat vett be, ne használja a berendezést.** A berendezéssel végzett munka közben már egy pillanatnyi figyelmetlenség is komoly sérülésekhez vezethet.
- b) **Viseljen személyi védőfelszerelést és mindig viseljen védőszemüveget.** A személyi védőfelszerelések, mint porvédő álarc, csúszásbiztos védőcipő, védősapka és fülvédő használata az elektromos kéziszerszám használata jellegének megfelelően csökkenti a személyes sérülések kockázatát.
- c) **Kerülje el a készülék akaratlan üzembe helyezését. Győződjön meg arról, hogy az elektromos kéziszerszám ki van kapcsolva, mielőtt bedugná a csatlakozó dugót a dugaszolóaljzatba, csatlakoztatná az akkumulátor-csomagot, és mielőtt felvenné és vinni kezdené az elektromos kéziszerszámot.** Ha az elektromos kéziszerszám felemelése közben az újjat a kapcsolón tartja, vagy ha a készüléket bekapcsoló állapotban csatlakoztatja az áramforráshoz, ez balesetekhez vezethet.
- d) **Az elektromos kéziszerszám bekapcsolása előtt okvetlenül távolítsa el a beállító szerszámokat vagy csavarkulcsokat.** Az elektromos kéziszerszám forgó részeiben felejtett beállító szerszám vagy csavarkulcs sérüléseket okozhat.
- e) **Ne becsülje túl önmagát. Kerülje el a normálistól eltérő testtartást, ügyeljen arra, hogy mindig biztosan álljon és az egyensúlyát megtartsa.** Így az elektromos kéziszerszám felett váratlan helyzetekben is jobban tud uralkodni.
- f) **Viseljen megfelelő ruhát. Ne viseljen bő ruhát vagy ékszereket. Tartsa távol a haját és a ruháját a mozgó részekről.** A bő ruhát, az ékszereket és a hosszú haját a mozgó alkatrészek magukkal ránthatják.
- g) **Ha az elektromos kéziszerszáma fel lehet szerelni a por elszívásához és összegyűjtéséhez szükséges berendezéseket, ellenőrizze, hogy azok megfelelő módon hozzá vannak kapcsolva a készülékhez és rendeltetésüknek megfelelően működnek.** A porgyűjtő berendezések használata csökkenti a munka során keletkező por veszélyes hatását.
- h) **Ne hagyja, hogy az elektromos kéziszerszám gyakori használata során szerzett tapasztalatok olyan önelégültté tegyék, hogy figyelmen kívül hagyja az idevonatkozó biztonsági alapelveket.** Egy gondatlan művelet egy másodperc törtrésze alatt súlyos sérüléseket okozhat.
- 4) **AZ ELEKTROMOS KÉZISZERSZÁMOK GONDOS KEZELÉSE ÉS HASZNÁLATA**
- a) **Ne terhelje túl az elektromos kéziszerszámot. A munkájához csak az arra szolgáló elektromos kéziszerszámot használja.** Egy alkalmas elektromos kéziszerszámmal a megadott teljesítménytartományon belül jobban és biztonságosabban lehet dolgozni.
- b) **Ne használjon olyan elektromos kéziszerszámot, amelynek a kapcsolója elromlott.** Egy olyan elektromos kéziszerszám, amelyet nem lehet sem be-, sem kikapcsolni, veszélyes és meg kell javíttatni.
- c) **Húzza ki a csatlakozó dugót a dugaszolóaljzatból és/vagy távolítsa el az akkumulátor-csomagot (ha az leválasztható) az elektromos kéziszerszámtól, mielőtt az elektromos kéziszerszámom beállítási munkákat végez, tartozékokat cserél vagy a szerszámot tárolásra elteszi.** Ez az elővigyázatossági intézkedés meggátolja a szerszám akaratlan üzembe helyezését.
- d) **A használaton kívüli elektromos kéziszerszámokat olyan helyen tárolja, ahol azokhoz gyerekek ne férhess nek hozzá. Ne hagyja, hogy olyan személyek használják az elektromos kéziszerszámot, akik nem ismerik a szerszámot, vagy nem olvasták el ezt az útmutatót.** Az elektromos kéziszerszámok veszélyesek, ha azokat gyakorlatlan személyek használják.
- e) **Az elektromos kéziszerszámot és tartozékait gondosan tartsa karban. Ellenőrizze, hogy a mozgó alkatrészek kifogástalanul működnek-e, nincsenek-e beszorulva, és nincsenek-e eltörve vagy megrongálódva olyan alkatrészek, amelyek hatással lehetnek az elektromos kéziszerszám működésére.** A megrongálódott részeket a készülék használata előtt javíttassa meg. Sok olyan baleset történik, amelyet az elektromos kéziszerszám nem kielégítő karbantartására lehet visszavezetni.
- f) **Tartsa tisztán és éles állapotban a vágószerszámokat.** Az éles vágóélekkel rendelkező és gondosan ápoló vágószerszámok ritkábban ékelődnek be és azokat könnyebben lehet vezetni és irányítani.
- g) **Az elektromos kéziszerszámokat, tartozékokat, betétszerszámokat stb. csak ezen előírásoknak**

használja. Vegye figyelembe a munkafeltételeket és a kivitelezendő munka sajátosságait. Az elektromos kéziszerszám eredeti rendeltetésétől eltérő célokra való alkalmazása veszélyes helyzetekhez vezethet.

- h) **Tartsa szárazon, tisztán és olaj- és zsírmennyiségben állapotban a fogantyúkat és markoló felületeket.** A csúsztató fogantyúk és markoló felületek váratlan helyzetekben lehetetlenné teszik az elektromos kéziszerszám biztonságos kezelését és irányítását.
- 5) **AZ AKKUMULÁTOROS KÉZISZERSZÁMOK GONDOS KEZELÉSE ÉS HASZNÁLATA**

- a) **Az akkumulátort csak a gyártó által ajánlott töltőkészülékekben töltsen fel.** Ha egy bizonyos akkumulátortípus feltöltésére szolgáló töltőkészülékben egy másik akkumulátort próbál feltölteni, tűz keletkezhet.
- b) **Az elektromos kéziszerszámban csak az ahhoz tartozó akkumulátort használja.** Más akkumulátorok használata személyi sérüléseket és tüzet okozhat.
- c) **Tartsa távol a használaton kívüli akkumulátort irodai kapcsolótól, pénzérméktől, kulcsoktól, szögektől, csavaroktól és más kisméretű fémtárgyaktól, amelyek áthidalhatják az érintkezőket.** Az akkumulátor érintkezői közötti rövidzárlat égési sérüléseket vagy tüzet okozhat.
- d) **Hibás alkalmazás esetén az akkumulátorból folyadék léphet ki. Kerülje el az érintkezést a folyadékkal. Ha véletlenül mégis érintkezésbe jutott az akkumulátorfolyadékkal, azonnal öblítse le a vízzel az érintett felületet. Ha a folyadék a szemébe jutott, keressen fel ezen kívül egy orvost.** A kilépő akkumulátorfolyadék irritációkat vagy égéses bőrsérüléseket okozhat.
- e) **Sohase használjon egy akkumulátor csomagot, ha az megrongálódott, vagy ha változtatásokat hajtottak végre rajta.** A megrongálódott vagy megváltoztatott akkumulátorok előreláthatatlan módon viselkedhetnek, amely tűzhoz, robbanáshoz vagy sérülésveszélyhez vezet.
- f) **Ne tegye ki az akkumulátor csomagokat tűz, vagy extrém hőmérséklet hatásának.** Ha az akkumulátort tűznek, vagy 130°C-ot meghaladó hőmérsékletnek teszi ki, az robbanást okozhat.
- g) **Tartsa be valamennyi töltési előírást és ne töltsen fel az akkumulátort, ha annak a hőmérséklete az utasításokban megadott hőmérséklet tartományon kívül van.** Az akkumulátor nem megfelelő módon, vagy a megadott hőmérséklet tartományon kívüli feltöltése megrongálhatja az akkumulátort és megnövelheti a tűzveszélyt.

## 6) SZERVIZ

- a) **Az elektromos kéziszerszámot csak szakképzett személyzet és csak eredeti pótalkatrészek felhasználásával javíthatja.** Ez biztosítja, hogy az elektromos kéziszerszám biztonságos szerzős maradjon.
- b) **Sohase szervizeljen megrongálódott akkumulátor csomagokat.** Az akkumulátor csomagokat csak a gyártónak, vagy az erre feljogosított szolgáltatóknak szabad szervizelniük.

## BIZTONSÁGI ELŐÍRÁSOK AKKUS INGAFŰRÉSZEK

- **Az elektromos kéziszerszámot csak a szigetelt fogantyúfelületeknél fogva tartsa, ha olyan munkát**

**végez, amelynek során a betétszám feszültség alatt álló, kívülről nem látható vezetékhez érhet** (ha a berendezés egy feszültség alatt álló vezetékhez ér, az elektromos kéziszerszám fémrészei szintén feszültség alá kerülhetnek és áramütéshez vezethetnek)

- **Szorítóval vagy más praktikus módon rögzítse, és támassza meg a munkadarabot egy stabil tartóállványon** (ha csak a kezével tartja vagy a testéhez szorítja a munkadarabot, elveszítheti a stabilitást, valamint az uralmat a gép felett)

## TARTOZÉKOK

- SKIL cég kizárólag eredeti alkatrészek és kiegészítők alkalmazása esetén tudja garantálni a gép problémamentes működését
- Csak olyan tartozékokat használjon, amelyek legmagasabb megengedett fordulatszáma legalább akkora, mint a berendezés legmagasabb üresjárati fordulatszáma

## HASZNÁLAT ELŐTT

- Ügyeljen arra, hogy a munkadarabban lévő csavar, szög vagy hasonló sérüléseket ne okozhasson; a munka megkezdése előtt eltávolítandó
- **A rejtett vezetékek felkutatásához használjon alkalmas fémkereső készüléket, vagy kérje ki a helyi energiaellátó vállalat tanácsát** (ha egy elektromos vezetékeket a berendezés megérint, ez tűzhoz és áramütéshez vezethet; egy gázvezeték megrongálása robbanást eredményezhet; egy vízvezetékbe való behatolás anyagi károkhöz és áramütéshez vezethet)

## SZEMÉLYI BIZTONSÁGI ELŐÍRÁSOK

- A készüléket csak 16 éven felüli személyek használják
- **Ne munkáljon meg a berendezéssel azbeszttel tartalmazó anyagokat** (az azbeszttel rákkeltő hatása van)
- Az anyagból származó por, mint például az ólmot, néhány fafajtát, ásványi anyagokat és fémeket tartalmazó festék, káros lehet (a por érintése vagy belégzése allergiás reakciókat és/vagy légzőszervi betegségeket okozhat a kezelő, illetve a közelben állók esetében); **viseljen pormaszkot és amennyiben csatlakoztatható, dolgozzon porszivő berendezéssel**
- Bizonyos porfajták rákkeltő besorolással rendelkeznek (ilyen például a tölgly- és a bükkfa pora), különösen a fa kondicionálására szolgáló adalékokkal együtt; **viseljen pormaszkot és amennyiben csatlakoztatható, dolgozzon porszivő berendezéssel**
- Kövesse a por kezelésével kapcsolatos helyi előírásokat azon termékkel kapcsolatban, amellyel dolgozni kíván
- **Tartsa távol kezét a vágófelülettől és a fűrészlaptól; szabad kezét tartsa a F 2** (ha két kézzel tartja a fűrészgépet, elkerülheti a fűrészlap okozta sérüléseket)
- **Ne érintse a munkadarab alsó részét** (mivel a fűrészlap és a kéz helyzete így takarásba kerül)
- **Soha ne tartsa kezében vagy térdén átvetve a levágandó darabot** (elengedhetetlen a munkadarab biztonságos alátámasztása, hogy ezáltal minimumra csökkentse testi épségének veszélyeztetését vagy a szerzős beszorulását, illetve az a feletti irányítási képesség elvesztését)
- **Ne használjon életlen vagy megrongálódott fűrészlapot** (a meggörbült fűrészlapok könnyen eltérhetnek vagy hátranyúlást okozhatnak)
- **Használjon védőkesztyűt a fűrészlap levétele során a szerzősot** (a hosszabb használatból a fűrészlap felforrósodhat)
- Viseljen védőszemüveget és zaj elleni fülvédőt

## AKKUMULÁTOR

- **A biztosított akkumulátor részlegesen töltött** (az akkumulátor teljes kapacitásának biztosításához teljes töltöttségi állapotig töltsse azt a kéziszerszám első használatát megelőzően)
- **Csak a következő akkumulátorokkal és töltőkkel használja a szerszámot**
  - SKIL akkumulátor: BR1\*31\*\*\*\*
  - SKIL töltő: CR1\*31\*\*\*\*
- A hibás akkumulátor ne használja, hanem cserélje ki
- Ne szerelje szét az akkumulátort
- A gépet/akkumulátort óvja az esőtől
- Megengedett környezeti hőmérséklet (szerszám/töltő készülék/akkumulátor):
  - a töltés során 4...40°C
  - az üzemeltetés során -20...+50°C
  - a tárolás során -20...+50°C

## A KÉSZÜLÉKEN/AKKUMULÁTORON TALÁLHATÓ SZIMBÓLUMOK MAGYARÁZATA

- ③ Használat előtt olvassa el a használati utasítást
- ④ Ha az akkumulátorok tűzbe kerülnek, akkor felrobbanhatnak, ezért semmilyen okból ne égesse el az akkumulátorokat
- ⑤ A gépet/töltőkészüléket/akkumulátort ne tárolja 50°C feletti helyiségben
- ⑥ Ne dobja az elektromos kéziszerszámokat és elemek a háztartási szemétkébe

## KEZELÉS

- Az akkumulátor töltése
  - ! **olvassa el a töltővel kapott biztonsági figyelmeztetéseket és utasításokat**
- Akkumulátorok eltávolítása/telepítése ②
- Akkumulátor töltöttségi-szint jelző ⑦
  - nyomja meg az akkumulátor töltöttségi szintjét jelző gombot L az aktuális akkumulátorszint kijelzéséhez ⑦a
  - ! **amikor a L ⑦b gomb megnyomása után a legalacsonyabb akkumulátor töltöttség jelző villog, az akkumulátor lemerült**
  - ! **ha a 2 akkumulátor töltöttségi szintet jelző indikátor elkezd villogni a L ⑦c gomb megnyomása után, az akkumulátor hőmérséklete a megengedett működési tartományon kívül van**
- LED-fény ⑧
  - A LED égő automatikusan felvillan, ha megnyomja a ki/bekapcsoló gombot
  - ! **ha a LED égő elkezd villogni, az akkumulátorkímélés életbe lép (lásd az alábbiakban)**
- Az akkumulátor védelme
  - A gép hirtelen kikapcsol vagy nem lehet visszakapcsolni, ha
    - a **teher túl nagy** --> távolítsa el a terhet és kezdje újra
    - az **akkumulátor hőmérséklete nem a megengedett -20 és +50 °C működési tartományon belül van** --> a 2 akkumulátor töltöttségi szintet jelző indikátor elkezd villogni a L ⑦c gomb megnyomása után; várja meg, míg az akkumulátor hőmérséklete ismét a megengedett működési tartományon belül van
    - az **akkumulátor majdnem teljesen lemerült/üres (mély kisülés elleni védelem)** --> ⑦b alacsony akkumulátor töltöttséget vagy villogó akkumulátor töltöttséget jelez az indikátor, ha megnyomja a L gombot; töltsse fel az akkumulátort

! **ha a készülék automatikusan kikapcsolt, ne próbálja nyomogatni a be-/kikapcsoló gombot, mert az akkumulátor megsérülhet**

- Zárógombbal ellátott kombinált kapcsoló a ki/be kapcsolásra valamint a sebességszabályozásra ⑨ ⑩
  - először oldja fel a gomb megnyomásával A
  - a gépet az B kapcsoló lenyomásával bekapcsoljuk
  - kapcsolóra gyakorolt nyomás megváltoztatásával a sebesség fokozatmentesen nulláról max. fordulatszámig szabályozható
  - kapcsolja ki az B indítókapcsoló felengedésével
- A zárógomb A aktiválható ⑨
  - aktiválás után a be-/kikapcsoló blokkolva, a gép pedig biztosítva lesz a véletlenszerű bekapcsolással szemben
- Fűrészlap felszerelése ⑪
  - ! **vegye ki az akkumulátort a szerszámot, mielőtt beállításokat végezne vagy tartozékcseré előtt**
  - fordítsa a fűrészlap rögzítőt C a szerszámon lévő nyíl irányába D és tartsa abban a helyzetben
  - helyezze be a fűrészlapot (a fogakkal felfelé, vagy lefelé) teljes mélységig
  - engedje vissza a C fűrészlap rögzítőt
  - nyomja be és húzza ki a fűrészlapot, ellenőrizve, hogy megfelelően rögzült-e
- Fűrészlap eltávolítása ⑪
  - ! **vegye ki az akkumulátort a szerszámot, mielőtt beállításokat végezne vagy tartozékcseré előtt**
  - fordítsa a fűrészlap rögzítőt C a szerszámon lévő nyíl irányába D és tartsa abban a helyzetben
  - húzza ki a lapot
  - engedje vissza a C fűrészlap rögzítőt
- Lengő előtolás a gyors vágás biztosítása érdekében ⑫
  - a lengő előtolás aktiválása érdekében kapcsoljon át N a szemléltetett módon
  - ! **ne aktiválja a lengő előtolás üzemmódot amikor fémét vág**
- A gép üzemeltetése
  - ! **biztonságosan rögzítse a munkadarabot**
  - jelölje ki a vágási vonalat a munkadarabon
  - helyezze be az akkumulátort szerszámon
  - fogja a szerszámot egyik kezével a E markolatnál, míg másik kezével a F elülső markolatnál
  - kapcsolja be a gépet
  - vezesse végig a szerszám a kijelölt vágási vonal mentén
  - támassza szilárdan a munkadarabnak az G talpat, hogy minimalizálja az ellenerőt és a vibrálást
- A gép vezetése és tartása
  - ! **munka közben mindvégig tartsa gépet a szürke színű markolati terület(ek)en ⑬**
  - a szellőzőnyílásokat H mindig tartsa szabadon
  - ne gyakoroljon túl nagy nyomást a gépre; hagyja, hogy a gép dolgozzon ön nyomon
  - ! **ügyeljen rá, hogy a fűrészlap túlérjen a munkadarabon a löketek során ⑭**
- A tényleges vágásmélység beállítása ⑮
  - ! **vegye ki az akkumulátort a szerszámot, mielőtt beállításokat végezne vagy tartozékcseré előtt**
  - használjon hatszögkulcsot K a két rögzítősavarr lazításához és meghúzásához J
  - a talp G előre/hátra csúsztatásához a tényleges vágásmélység meghosszabbításához/csökkentéséhez

## HASZNÁLAT

- Beszúró vágás <sup>(16)</sup>  
Fában és más puha anyagokban alkalmazhat beszúró vágást, lyuk előfúrása nélkül  
- használjon vastag fűrészlapot  
**! vegye ki az akkumulátort a szerszámot, mielőtt beállításokat végezne vagy tartozékcsere előtt**  
- szerelje fel a fűrészlapot, hogy a fogak felfelé nézzenek  
- jelölje ki a vágási vonalat a munkadarabon  
- döntse meg úgy a szerszám, hogy a fűrészlap ne érjen hozzá a munkadarabhoz  
- kapcsolja be a szerszám, és lassan mélyessze a fűrészlapot a munkadarabba  
- miután a fűrészlap áthatolt a munkadarabon, folytassa a fűrészrelést a kijelölt vágási vonal mentén  
**! ne használja a beszúró vágást fém anyagokban**  
• Fontos, hogy mindig megfelelő fűrészlapot használjon <sup>(17)</sup>  
• Fémek vágása esetén rendszeresen olajozza a fűrészlapot  
• Szilánkmentes vágás  
- a vágást megelőzően ragassza le több rétegben a vágási vonalat széles szigetelőszalaggal  
- a munkadarab színét mindig lefelé fordítsa  
• A további információkért lásd a [www.skil.com](http://www.skil.com) oldalt

## KARBANTARTÁS / SZERVIZ

- A szerszám nem professzionális használatra készült
- Mindig tartsa tisztán a gépet (különös tekintettel a szellőzőnyílásokra H <sup>(2)</sup>)  
**! távolítsa el az akkumulátort a tisztítás előtt**
- Ha a gép a gondos gyártási és ellenőrzési eljárás ellenére egyszer mégis meghibásodna, akkor a javítással csak SKIL elektromos kéziszerszám-műhely ügyfélszolgálatát szabad megbízni  
- küldje az **összeszerelt** gépet a vásárlást bizonyító számlával együtt a kereskedő vagy a legközelebbi SKIL szervizállomás címére (a címlista és a gép szervizdiagramja a [www.skil.com](http://www.skil.com) címen található)
- Vegye figyelembe, hogy a garancia nem fedi le a túlterhelés és a gép helytelen használata miatt okozott károkat (a SKIL garanciális feltételeit elolvashatja a [www.skil.com](http://www.skil.com) oldalon, vagy kérdezze meg kereskedőjét)

## KÖRNYEZET

- **Az elektromos kéziszerszámokat, elemek, tartozékokat és csomagolást ne dobja a háztartási szemétkébe** (csak EU-országok számára)  
- a használt villamos és elektronikai készülékekről szóló 2012/19/EK irányelv és annak a nemzeti jogba való átültetése szerint az elhasznált elektromos kéziszerszámokat külön kell gyűjteni, és környezetbarát módon újra kell hasznosítani  
- erre emlékeztet a <sup>(6)</sup> jelzés, amennyiben felmerül az intézkedésre való igény  
**! az akkumulátor hatástalanítása előtt az akkumulátor végelt erős szalaggal biztosítsuk, hogy a kúszóáramokat kiküszöbölhessük**

## ZAJ / REZGÉS

- Az EN 62841-es szabványnak megfelelően végzett mérés szerint a szerszám hangnyomása 85,0 dB(A), hangerőszintje 96,0 dB(A) (bizonytalanság K = 5 dB),

a vibráció pedig \* (háromtengelyű vektor összege; bizonytalanság K = 1,5 m/s<sup>2</sup>)

\* lapok fűrészélése 9,9 m/s<sup>2</sup>

\* fagerenda fűrészélése 9,5 m/s<sup>2</sup>

- A rezgés-kibocsátási szint mérése az EN 62841 szabványban meghatározott szabványosított teszttel összehangban történik; ez az eszköznek egy másik eszközzel történő összehasonlítására, illetve a rezgésnek való kitettség előzetes felmérésére használható fel az eszköznek az említett alkalmazásokra történő felhasználása során  
- az eszköznek eltérő alkalmazásokra, vagy eltérő, illetve rosszul karbantartott tartozékokkal történő felhasználása jelentősen **emelheti** a kitettség szintjét  
- az idő, amikor az eszköz ki van kapcsolva, vagy amikor ugyan működik, de ténylegesen nem végez munkát, jelentősen **csökkentheti** a kitettség szintjét  
**! az eszköz és tartozékai karbantartásával, kezének melegen tartásával, és munkavégzésének megszervezésével védje meg magát a rezgések hatásaitól**

CZ

## Bezkontaktní akumulátorová 3480 vratná pila

### ÚVOD

- Toto náradí je určeno pro řezání materiálů z dřeva, plastu, kovu a staveb stejně jako pro přeřezávání a zařezávání stromů, je vhodná pro přímé a ohnuté řezy
- Tento nástroj není určen k profesionálnímu použití
- Tento návod s pokyny si pečlivě přečtěte a uschovejte <sup>(3)</sup>

### TECHNICKÁ DATA <sup>(1)</sup>

### SOUČÁSTI NÁSTROJE <sup>(2)</sup>

- A Aretační šroub
- B Vypínač zapnout/vypnout a regulace rychlosti
- C Svorka listu pily
- D Šipka
- E Rukojeť
- F Madlo bubnu
- G Nastavitelná základní deska
- H Větrací šterbiny
- J Upevňovací svorníky
- K Šestihřanný klíč
- L Indikátor akumulátoru
- M LED-kontrolka
- N Kolečko regulátor rychlosti

### BEZPEČNOST

#### OBEČNÉ BEZPEČNOSTNÍ POKYNY PRO ELEKTRONÁRADÍ

**VAROVÁNÍ** Přečtěte si veškerá bezpečnostní upozornění, pokyny, obrázky a technické údaje, které jsou s tímto elektrickým nástrojem dodávány. Nedodržení všech níže uvedených pokynů může vést k úrazu elektrickým proudem, požáru a/nebo vážnému zranění.



## Všechny pokyny a výstrahy uchovejte pro budoucí potřebu.

Ve varovných upozorněních použitý pojem "elektronářadí" se vztahuje na elektronářadí provozované na el. síti (se síťovým kabelem) a na elektronářadí provozované na akumulátoru (bez síťového kabelu).

### 1) BEZPEČNOST PRACOVNÍHO MÍSTA

- a) **Udržujte Vaše pracovní místo čisté a uklizené.** Nepořádek nebo neosvětlené pracovní oblasti mohou vést k úrazům.
- b) **Se strojem nepracujte v prostředích ohrožených explozí, kde se nacházejí hořlavé kapaliny, plyny nebo prach.** Elektronářadí vytváří jiskry, které mohou prach nebo páry zapálit.
- c) **Děti a jiné osoby udržujte při použití elektronářadí daleko od Vašeho pracovního místa.** Při rozptýlení můžete ztratit kontrolu nad strojem.

### 2) ELEKTRICKÁ BEZPEČNOST

- a) **Připojovací zástrčka stroje musí lícovat se zásuvkou. Zástrčka nesmí být žádným způsobem upravena. Společně se stroji s ochranným uzemněním nepoužívejte žádné adaptérové zástrčky.** Neupravené zástrčky a vhodné zásuvky snižují riziko elektrického úderu.
- b) **Zabraňte kontaktu těla s uzemněnými povrchy, jako např. potrubí, topení, sporáky a chladničky.** Je-li Vaše tělo uzemněno, existuje zvýšené riziko elektrického úderu.
- c) **Chraňte stroj před deštěm a vlhkem.** Vniknutí vody do elektrického stroje zvyšuje nebezpečí elektrického úderu.
- d) **Dbějte na účel kabelu, nepoužívejte jej k nošení či zavěšení stroje nebo vytažení zástrčky ze zásuvky. Udržujte kabel daleko od tepla, oleje, ostrých hran nebo pohyblivých dílů stroje.** Poškozené nebo spletené kabely zvyšují riziko elektrického úderu.
- e) **Pokud pracujete s elektronářadím venku, použijte pouze takové prodlužovací kabely, které jsou schváleny i pro venkovní použití.** Použití prodlužovacího kabelu, jež je vhodný pro použití venku, snižuje riziko elektrického úderu.
- f) **Pokud se nelze vyhnout provozu elektronářadí ve vlhkém prostředí, použijte ochranný jistič.** Nasazení ochranného jističe snižuje riziko úderu elektrickým proudem.

### 3) BEZPEČNOST OSOB

- a) **Bud'te pozorní, dávejte pozor na to, co děláte a přistupujte k práci s elektronářadím rozumně. Stroj nepoužívejte pokud jste unavení nebo pod vlivem drog, alkoholu nebo léků.** Moment nepozornosti při použití elektronářadí může vést k vážným poraněním.
- b) **Noste osobní ochranné pomůcky a vždy ochranné brýle.** Nošení osobních ochranných pomůček jako maska proti prachu, bezpečnostní obuv s protiskluzovou podrážkou, ochranná přilba nebo sluchátka, podle druhu nasazení elektronářadí, snižují riziko poranění.
- c) **Zabraňte neúmyslnému uvedení do provozu. Přesvědčte se, že je elektronářadí vypnuté dříve než jej uchopíte, poneseťe či připojíte na zdroj proudu a/ nebo akumulátor.** Máte-li při nošení elektronářadí prst na spínači nebo pokud stroj připojíte ke zdroji proudu zapnutý, pak to může vést k úrazům.

- d) **Než stroj zapnete, odstraňte seřizovací nástroje nebo šroubovák.** Nástroj nebo klíč, který se nachází v otáčivém dílu stroje, může vést k poranění.
  - e) **Nepřeceňujte se. Zjistěte si bezpečný postoj a vždy udržujte rovnováhu.** Tím můžete stroj v neočekávaných situacích lépe kontrolovat.
  - f) **Noste vhodný oděv. Nenoste žádný volný oděv nebo šperky. Vlasy a oděv udržujte daleko od pohyblivých se dílů.** Volný oděv, šperky nebo dlouhé vlasy mohou být zachyceny pohyblivými se díly.
  - g) **Lze-li namontovat odsávací či zachycující přípravky, přesvědčte se, že jsou připojeny a správně použity.** Použití odsávací prachu může snížit ohrožení prachem.
  - h) **Dbějte na to, abyste při častém používání nářadí nebyli méně ostražití a nezapomínali na bezpečnostní zásady.** Nedbalé ovládání může způsobit těžké poranění za zlomek sekundy.
- ### 4) SVĚDOMITÉ ZACHÁZENÍ A POUŽÍVÁNÍ ELEKTRONÁŘADÍ
- a) **Stroj nepřetěžujte. Pro svou práci použijte k tomu určený stroj.** S vhodným elektronářadím budete pracovat v dané oblasti výkonu lépe a bezpečněji.
  - b) **Nepoužívejte žádné elektronářadí, jehož spínač je vadný.** Elektronářadí, které nelze zapnout či vypnout je nebezpečné a musí se opravit.
  - c) **Než provedete seřízení stroje, výměnu dílů příslušenství nebo stroj odložíte, vytáhněte zástrčku ze zásuvky a/nebo odstraňte odpovídající akumulátor.** Toto preventivní opatření zabrání neúmyslnému zapnutí stroje.
  - d) **Uchovávejte nepoužívané elektronářadí mimo dosah dětí. Nenechte stroj používat osobám, které se strojem nejsou seznámeny nebo nečetly tyto pokyny.** Elektronářadí je nebezpečné, je-li používáno nezkušenými osobami.
  - e) **Pečujte o elektronářadí a příslušenství svědomitě. Zkontrolujte, zda pohyblivé díly stroje bezvadně fungují a nevzpříčují se, zda díly nejsou zlomené nebo poškozené tak, že je omylem funkce stroje. Poškozené díly nechte před nasazením stroje opravit.** Mnoho úrazů má příčinu ve špatně udržovaném elektronářadí.
  - f) **Řezné nástroje udržujte ostré a čisté.** Pečlivě ošetřované řezné nástroje s ostrými řeznými hranami se méně vzpříčují a dají se lehčeji vést.
  - g) **Používejte elektronářadí, příslušenství, nasazovací nástroje apod. podle těchto pokynů. Respektujte přitom pracovní podmínky a prováděnou činnost.** Použití elektronářadí pro jiné než určující použití může vést k nebezpečným situacím.
  - h) **Udržujte rukojeti a úchytné plochy suché, čisté a bez oleje a maziva.** Kluzké rukojeti a úchytné plochy neumožňují bezpečnou manipulaci a ovládání nářadí v neočekávaných situacích.
- ### 5) SVĚDOMITÉ ZACHÁZENÍ A POUŽÍVÁNÍ AKUMULÁTOROVÉHO NÁŘADÍ
- a) **Akumulátory nabíjejte pouze v nabíječce, která je doporučena výrobcem.** Pro nabíječku, která je vhodná pro určitý druh akumulátorů, existuje nebezpečí požáru, je-li používána s jinými akumulátory.
  - b) **Do elektronářadí používejte pouze k tomu určené akumulátory.** Použití jiných akumulátorů může vést k poraněním a požárům.

- c) **Nepoužívaný akumulátor uchovávejte mimo kancelářské sponky, mince, klíče, hřebíky, šrouby nebo jiné drobné kovové předměty, které mohou způsobit přemostění kontaktů.** Zkrat mezi kontakty akumulátoru může mít za následek opálení nebo požár.
- d) **Při špatném použití může z akumulátoru vytéci kapalina. Zabraňte kontaktu s ní. Při náhodném kontaktu opláchněte místo vodou. Pokud kapalina vnikne do očí, navštivte navíc i lékaře.** Vytékající akumulátorová kapalina může způsobit podráždění pokožky nebo popáleniny.
- e) **Nepoužívejte akumulátor nebo nářadí, které jsou poškozené nebo upravené.** Poškozené nebo upravené akumulátory se mohou chovat nepředvídaně a způsobit požár, výbuch nebo poranění.
- f) **Nevystavujte akumulátor nebo nářadí ohni nebo nadměrné teplotě.** Vystavení ohni nebo teplotě nad 130°C může způsobit výbuch.
- g) **Dodržujte všechny pokyny pro nabíjení a nenabíjejte akumulátor nebo nářadí mimo teplotní rozsah uvedený v pokynech.** Nesprávné nabíjení nebo nabíjení při teplotách mimo uvedený rozsah může poškodit akumulátor a zvýšit riziko požáru.
- 6) **SERVIS**
  - a) **Nechte Váš stroj opravit pouze kvalifikovaným odborným personálem a pouze s originálními náhradními díly.** Tím bude zajištěno, že bezpečnost stroje zůstane zachována.
  - b) **Nikdy neprovádějte servis poškozených akumulátorů.** Servis akumulátorů by měl provádět pouze výrobce nebo autorizovaná opravna.

## BEZPEČNOSTNÍ PŘEDPISY PRO BEZDRÁTOVÁ PILA S VRATNÝM POHYBEM

- **Pokud provádíte práce, při kterých může nasazovací nástroj zasáhnout skrytá elektrická vedení, pak držte elektronářadí na izolovaných plochách rukojeti** (kontakt s vedením pod napětím může přivést napětí i na kovové díly elektronářadí a vést k úderu elektrickým proudem)
- **Pomocí svorek nebo jiným vhodným způsobem upevněte obráběný díl na stabilní podložku** (pokud jej budete při práci držet v ruce nebo opřený o tělo, bude nestabilní a můžete nad ním ztratit kontrolu)

## PŘÍSLUŠENSTVÍ

- SKIL zajistí bezvadnou funkci nářadí pouze tehdy, používáte-li původní značkové
- Používejte pouze příslušenství, jejichž dovolené otáčky jsou alespoň tak vysoké jako nejvyšší otáčky stroje naprázdno

## PŘED POUŽITÍM

- Vrtačku nepoužívejte je-li navlhla a neparujte v blízkosti snadno zápalných nebo výbušných materiálů; před zahájením práce je odstraňte
- **Použijte vhodné hledací přístroje k vyhledání skrytých přívodních vedení nebo přivězte místní dodavatelskou společnost** (kontakt s el. vedením může vést k požáru a elektrickému úderu; poškození plynového vedení může vést k explozi; proniknutí do vodovodního potrubí může způsobit věcné škody nebo elektrický úder)

## BEZPEČNOST OSOB

- Tento nástroj nesmí používat osoby mladší 16 let
- **Nepracovávají žádný materiál obsahující azbest** (azbest je karcinogenní)

- Prach z látek, jako jsou barvy obsahující olovo, některé druhy dřeva, minerály a kovy, může být škodlivý (kontakt s prachem nebo jeho vdechnutí může způsobit alergickou reakci a/nebo vyvolat respirační choroby u obsluhy nebo přihlížejících); **nošte protiprachovou masku a pracujte se zařízením na odsávání prachu, pokud je možné jej připojit**
- Některé druhy prachu jsou klasifikovány jako karcinogenní (například dubový a bukový prach) zejména ve spojení s přísadami pro úpravu dřeva; **nošte protiprachovou masku a pracujte se zařízením na odsávání prachu, pokud je možné jej připojit**
- Dodržujte stanovená nařízení pro práci v prašném prostředí
- **Dbejte, aby ruce byly v dostatečné vzdálenosti od místa řezu i ostří, druhou ruku položte na madlo bubnu F ②** (držíte-li pilu oběma rukama, nemůže vás pila pořežat)
- **Nesahejte pod řezaný předmět** (nelze vidět, zda se druhá ruka nenachází při ostří)
- **Nikdy nedržte řezaný předmět v ruce nebo mezi koleny** (řezaný předmět musí být pevně podepřen, jinak se můžete pořežat, pila se může zaseknout a nástroj nezvládnete)
- **Nepoužívejte tupé ani poškozené listy** (ohnuté ostří se snadno zlomí nebo dojde ke zpětnému vrhu)
- **Při odstraňování listu z nářadí používejte ochranné rukavice** (po delší činnosti může být list pily horký)
- Nošte ochranné brýle a ochranu sluchu

## AKUMULÁTORY

- **Dodávány akumulátor je částečně nabíť** (v zájmu zajištění maximální kapacity akumulátoru jej před prvním použitím vašeho elektronástroje úplně dobijte v nabíječce)
- **Používejte pouze následující akumulátory a nabíječky dodávané s tímto nástrojem**
  - Akumulátor SKIL: BR1\*31\*\*\*\*
  - Nabíječka SKIL: CR1\*31\*\*\*\*
- Poškozený akumulátor nepoužívejte, nahraďte jej novým
- Akumulátor nerozebírejte
- Nevystavujte nástroj/akumulátor dešti
- Povolená teplota prostředí (nářadí/nabíječka/akumulátor):
  - při nabíjení 4...40°C
  - při provozu -20...+50°C
  - při skladování -20...+50°C

## VYSVĚTLENÍ SYMBOLŮ NA NÁSTROJI/BATERII

- ③ Před použitím si přečtěte návod k použití
- ④ Baterie při vhození do ohně explodují, proto je nikdy nevhazujte do otevřeného plamene
- ⑤ Nářadí/nabíječ/akumulátor ukládejte na vhodné, suché a zajištěné místo, v prostorách s teplotou maximálně 50°C
- ⑥ Nevyhazujte elektrické nářadí a baterie do komunálního odpadu

## OBSLUHA

- Nabíjení akumulátorů
  - ! přečtěte si bezpečnostní upozornění a pokyny, které byly dodány spolu s nabíječkou
- Vymíťte/instalace akumulátoru ②
- Indikátor akumulátoru ⑦
  - stiskněte tlačítko indikátoru akumulátoru L, aby ukazovalo aktuální úroveň nabití ⑦a
  - ! když po stisknutí tlačítka L ⑦b začne blikat nejnižší úroveň indikátoru akumulátoru, akumulátor je vypnutý
  - ! když úroveň 2 indikátoru akumulátoru začnou

### **blíkat po stisknutí tlačítka L ⑦c, akumulátor není v rozsahu přípustných provozních teplot**

- LED-kontrolka ⑧  
LED kontrolka se automaticky rozsvítí při aktivaci spínače „zapnuto/vypnuto“

### **! když LED kontrolka začne blíkat, aktivuje se ochrana akumulátoru (viz níže)**

- Ochrana baterie  
Nářadí se najednou vypne nebo mu je zabráněno v zapnutí, když

- **je zátěž příliš vysoká** --> odstraňte zátěž a proveďte restart

- **teplota akumulátoru není v rozsahu přípustných provozních teplot -20 až +50 °C** --> úrovně 2 indikátoru akumulátoru začnou blíkat po stisknutí tlačítka L ⑦c; počkejte, dokud se akumulátor nevrátí do rozsahu přípustných provozních teplot

- **Akumulátor je téměř vybitý (ochrana před přílišným vybitím)** --> při stisknutí tlačítka L indikátor akumulátoru zobrazí nízkou úroveň baterie nebo blikající nízkou úroveň akumulátoru ⑦b; vyměňte akumulátor

**! po automatickém vypnutí nástroje netiskněte vypínač; mohlo by dojít k poškození akumulátoru**

- Kombinovaný spínač zapnuto/vypnuto a kontrola rychlosti pomocí ⑨ ⑩  
- nejprve odjistíte stisknutím tlačítka A  
- zapnete nářadí stisknutím vypínače B  
- při větším či menším tlaku na spínač, lze měnit plynule otáčky  
- uvolněním přepínače B nástroj vypnete
- Pojistné tlačítko A lze aktivovat ⑨  
- Je-li aktivované, pak se spínač „zapnuto/vypnuto“ zablokuje a nástroje bude zabezpečený proti náhodnému sepnutí
- Montáž listu pily ⑪

**! před nastavením nebo výměnou příslušenství vždy vytáhněte akumulátor**

- otočte svorku listu C ve směru šipky D uvedené na nástroji a v této poloze ji podržte  
- vložte list (zuby směřují dolů nebo nahoru) do plné hloubky  
- uvolněte svorku C  
- zatlačte a zatahujte za list a zkontrolujte, zda je umístěn správně

- Vyjmutí listu pily ⑪  
**! před nastavením nebo výměnou příslušenství vždy vytáhněte akumulátor**

- otočte svorku listu C ve směru šipky D uvedené na nástroji a v této poloze ji podržte  
- vytáhněte list  
- uvolněte svorku C

- Předkmit pro rychlé řezání ⑫  
- pro spuštění předkmitu pilového listu použijte přepínač N jak je ukázáno

**! nespouštějte předkmit při řezání kovu**

- Použití nástroje  
**! důkladně upevněte obrobek**  
- vyznačte na obrobku linii řezu  
- montáž akumulátoru na nástroj  
- položte jednu ruku na rukojeť E a druhou na izolované madlo bubnu F  
- zapnete nářadí  
- vedte nářadí podél vyznačené linie řezu  
- základní desku G držte pevně na obrobku kvůli

minimalizaci protipůsobící síly a vibrací

- Držení a vedení nástroje  
**! při práci vždy držte nástroj v šedě zbarvené oblasti rukojeti ⑬**  
- udržujte větrací štěrby H nezakryté  
- na přístroj příliš netlačte; nechte jej, aby pracoval za vás  
**! ujistěte se, že list pily přečnává za obrobkem přes posuv ⑭**
- Nastavení hloubky účinného řezu ⑮  
**! před nastavením nebo výměnou příslušenství vždy vytáhněte akumulátor**  
- pomocí šestihranného klíče K můžete uvolňovat a utahovat oba upevňovací svorníky J  
- Posouvajte stupáčky G dopředu/dozadu, abyste zvětšili/zmenšili hloubku účinného řezu

## **NÁVOD K POUŽITÍ**

- Zapichovací řezy ⑯  
Zapichovací řezy lze provádět do dřeva a dalších měkkých materiálů a není nutné předem vrtat otvor  
- použijte hrubý list  
**! před nastavením nebo výměnou příslušenství vždy vytáhněte akumulátor**  
- namontujte list tak, aby zuby směřovaly nahoru  
- vyznačte na obrobku požadovanou linii řezu  
- nářadí nakloňte tak, aby se list nedotýkal obrobku  
- nářadí zapnete a opatrně posouvajte pohybuující se list pily do obrobku  
- když list pronikne do výrobku, pokračujte v řezání podél vyznačené linie řezu  
**! zapichovací řezy nelze provádět do kovů**
- Použijte vhodné pilové listy ⑰
- Při řezání kovů listy pravidelně naolejujte
- Řezání bez štěpení  
- před řezáním nalepte na zamýšlený řez několik vrstev široké pásky  
- řezy provádějte vždy na rubu materiálu (licem dolů)
- Další informace najdete na [www.skil.com](http://www.skil.com)

## **ÚDRŽBA / SERVIS**

- Tento nástroj není určen k profesionálnímu použití  
Nástroj udržujte vždy čistý (zejména větrací štěrby H ②)
- ! před montáží vyjměte akumulátor z nástroje**
- Pokud dojde i přes pečlivou výrobu a náročnou kontrolu k poruše nástroje, světe provedení opravy autorizovanému servisnímu středisku pro elektronářadí firmy SKIL  
- zašlete nástroj **nerozebraný** spolu s potvrzením o nákupu své prodejní nebo nejbližšímu servisu značky SKIL (adresy a servisní schéma nástroje najdete na [www.skil.com](http://www.skil.com))
- Uvědomte si, že na poškození způsobené přetížením nebo nesprávným zacházením se nevztahuje záruka (záruční podmínky společnosti SKIL najdete na adrese [www.skil.com](http://www.skil.com) nebo se obraťte na prodejce)

## **ŽIVOTNÍ PROSTŘEDÍ**

- **Elektrické nářadí, baterie, doplňky a balení nevyhazujte do komunálního odpadu** (jen pro státy EU)  
- podle evropské směrnice 2012/19/EG o nakládání s použitými elektrickými a elektronickými zařízeními a odpovídajících ustanovení právních předpisů

jednotlivých zemí se použítá elektrická nářadí, musí sbírat odděleně od ostatního odpadu a podrobit ekologicky šetrnému recyklování

- symbol ⑥ na to upozorňuje

! u vyřazených akumulátorů zakryjte kontakty izolační páskou, zabráníte tím plazivým proudům

## HLUČNOSTI / VIBRACÍ

- Při měření v souladu s normou EN 62841 je hladina akustického tlaku tohoto nástroje 85,0 dB(A) a hladina hlučnosti 96,0 dB(A) (nepřesnost K = 5 dB), a vibrace \* (celkové hodnoty vibrací; nepřesnost K = 1,5 m/s<sup>2</sup>)
    - \* řezání desky 9,9 m/s<sup>2</sup>
    - \* řezání dřevěného trámu 9,5 m/s<sup>2</sup>
  - Úroveň vibrací byla měřena v souladu se standardizovaným testem podle EN 62841; je možné ji použít ke srovnání jednoho přístroje s druhým a jako předběžné posouzení vystavování se vibracím při používání přístroje k uvedeným aplikacím
    - používání přístroje k jiným aplikacím nebo s jiným či špatně udržovaným příslušenstvím může zásadně **zvýšit** úroveň vystavení se vibracím
    - doba, kdy je přístroj vypnutý nebo kdy běží, ale ve skutečnosti není využíván, může zásadně **snížit** úroveň vystavení se vibracím
- ! **chraňte se před následky vibrací tak, že budete dbát na údržbu přístroje a příslušenství, budete si udržovat teplé ruce a uspořádáte si své pracovní postupy**

TR

## Firčásný akúľú panter testere 3480

### GİRİŞ

- Bu araç düzeltilme ve ağaç budama işlerinin yanı sıra ahşap, plastik, metal ve inşaat malzemelerini kesmek için tasarlanmıştır; düz ve kavslı kesim için uygundur
- Bu alet profesyonel kullanıma yönelik değildir
- Bu kullanma kılavuzunu okuyun ve saklayın ③

## TEKNİK VERİLER ①

### ALET BİLEŞENLERİ ②

- A Kilit düğmesi
- B Açma/kapama ve hız kontrol anahtarı
- C Testere tutucu
- D Ok
- E Kol
- F Tutamak
- G Ayarlanabilir ayak plakası
- H Havalandırma yuvaları
- J Sabitleme civataları
- K Altgen anahtar
- L Batarya şarj süre göstergesi
- M LED-ışığı
- N Orbital hareket düğmesi

## GÜVENLİK

### GENEL ELEKTRİK EL ALETİ GÜVENLİK UYARILARI

**UYARI** Bu elektrikli alet ile birlikte verilen tüm

### uyarıları, talimatları, resimleri ve özellikleri okuyun.

Aşağıda listelenen talimatların tamamına uyulmaması durumunda elektrik çarpması, yangın ve/veya ciddi yaralanmalar meydana gelebilir.

### Tüm uyarı ve talimatları ileride kullanmak üzere saklayın.

Uyarı ve talimat hükümlerinde kullanılan “elektrikli el aleti” kavramı, akım şebekesine bağlı (şebeke bağlantı kablosu ile) aletlerle akü ile çalışan aletleri (akım şebekesine bağlantısı olmayan aletler) kapsamaktadır.

### 1) ÇALIŞMA YERİ GÜVENLİĞİ

- Çalıştığınız yeri temiz ve düzenli tutun.** Düzensizlik veya yetersiz aydınlatma kazalara neden olabilir.
- Yanıcı sıvıların, gazların veya tozların bulunduğunu patlama tehlikesi olan yer ve mekânlarda aletle çalışmayın.** Elektrikli el aletleri, toz veya buharların tutuşmasına veya yanmasına neden olan kıvılcıklar çıkarırlar.
- Elektrikli el aletiyle çalışırken çocukları ve başkalarını çalışma alanınızın uzağında tutun.** Yakınızdaki bulunan kişiler dikkatinizi dağıtabilir ve bu da alet üzerindeki kontrolünüzü kaybetmenize neden olabilir.

### 2) ELEKTRİKSEL GÜVENLİK

- Aletin bağlantı fişi prize uymalıdır. Fişi hiçbir şekilde değiştirmeyin. Koruyucu topraklamalı aletlerle adaptörlü fiş kullanmayın.** Değiştirilmemiş, orijinal fiş ve uygun prizler elektrik çarpması tehlikesini azaltır.
- Borular, kalorifer tesisatı, ısıtıcılar ve buzdolapları gibi topraklanmış yüzeylerle bedensel temasa geçmekten kaçının.** Eğer bedeniniz topraklanacak olursa yüksek bir elektrik çarpması tehlikesi ortaya çıkar.
- Aleti yağmur ve nemden koruyun.** Elektrikli el aletinin içine suyun sızması elektrik çarpması tehlikesini yükseltir.
- Kabloyu kendi amacı dışında kullanmayın; örneğin aleti kablodan tutarak taşımayın, aleti kablo ile asmayın veya kablodan çekerek fişi prizden çıkarmayın.** Kabloyu aşırı sıcaktan, yağlardan, keskin kenarlı cisimlerden veya aletin hareketli parçalarından uzak tutun. Hasarlı veya dolanmış kablo elektrik çarpması tehlikesini yükseltir.
- Elektrikli el aletiyle açık havada çalışırken mutlaka açık havada kullanılmaya uygun uzatma kablosu kullanın.** Açık havada kullanılmaya uygun uzatma kablosunun kullanılması elektrik çarpması tehlikesini azaltır.
- Elektrikli el aletinin nemli ortamlarda çalıştırılması şartsa, mutlaka kaçak akım cihazı (RCD) kullanın.** RCD kullanımı elektrik çarpması tehlikesini azaltır.

### 3) KİŞİLERİN GÜVENLİĞİ

- Dikkatli olun, ne yaptığınıza dikkat edin ve elektrikli el aletiyle çalışırken makul hareket edin. Yorgunsanız, ilaç kullanıyorsanız veya uyuşturucu madde ya da alkol etkisi altındaysanız aleti kullanmayın.** Aleti kullanırken bir anlık dikkatsizliğiniz ciddi yaralanmalara yol açabilir.
- Daima kişisel koruma donanımları ve bir koruyucu gözlük kullanın.** Elektrikli el aletinin türü ve kullanımına uygun olarak kullanacağınız toz maskesi, kaymayan sağlam iş ayakkabıları, koruyucu kask veya koruyucu kulaklık gibi kişisel koruma donanımlarını kullanmanızı yaralanma tehlikesini büyük ölçüde azaltır.

- c) **Aleti yanlışlıkla çalıştırmaktan kaçının. Akım ikmal şebekesine ve/veya aküye bağlamadan, elinize alıp taşımadan önce elektrikli el aletinin kapalı durumda olduğundan emin olun.** Elektrikli el aletini parmağınız şalter üzerinde dururken taşırsanız ve alet açıkken fişi prize sokarsanız kazalara neden olabilirsiniz.
- d) **Aleti çalıştırmadan önce ayar aletlerini veya tornavidaları aletten uzaklaştırın.** Önden alet parçasına temas halinde bulunan bir uç veya anahtar yaralanmalara neden olabilir.
- e) **Kendinize çok fazla güvenmeyin. Duruşunuzun güvenli olmasına dikkat edin ve daima dengenizi koruyun.** Bu sayede aleti beklenmedik durumlarda daha iyi kontrol edersiniz.
- f) **Uygun iş elbiseleri giyin. Geniş giysiler giymeyin ve takı takmayın. Saçlarınızı ve giysilerinizi aletin hareketli parçalarından uzak tutun.** Bol giysiler, takılar veya uzun saçlar aletin hareketli parçaları tarafından tutulabilir.
- g) **Aletinize toz emme donanımı ve toz tutma donanımı takılabiliyorsa, bunların bağlı olup olmadığını ve doğru işlev görüp görmediklerini kontrol edin.** Toz emme donanımının kullanımı tozdan kaynaklanabilecek tehlikeleri azaltır.
- h) **Aletleri sık kullanmanız sebebiyle kazandığınız alışkanlıklar, güvenlik prensiplerine uymazı önlememelidir.** Dikkatsiz bir hareket, bir anda ciddi yaralanmalara yol açabilir.
- 4) ELEKTRİKLİ EL ALETLERİYLE DİKKATLİ ÇALIŞMAK VE ALETİ DOĞRU KULLANMAK**
- a) **Aleti aşırı ölçüde zorlamayın. İşinize uygun elektrikli el aletini kullanın.** Uygun elektrikli el aleti ile belirtilen performans alanında daha iyi ve daha güvenli çalışırsınız.
- b) **Açma/kapama şalteri arızalı olan elektrikli el aletini kullanmayın.** Açılıp kapanamayan bir elektrikli el aleti tehlikelidir ve onarılması gerekir.
- c) **Alette bir ayarlamaya işlemine başlamadan, herhangi bir aksesuarı değiştiren veya aleti elinizden bırakırken fişi prizden çekin veya aküyü çıkarın.** Bu önlem, elektrikli el aletinin yanlışlıkla çalışmasını önler.
- d) **Kullanım dışında iken elektrikli el aletinizi çocukların ulaşamayacağı bir yerde saklayın. Aleti kullanmayı bilmeyen veya bu güvenlik talimatını okumayan kişilerin aleti kullanmasına izin vermeyin.** Deneyimsiz kişiler tarafından kullanıldıkları takdirde elektrikli el aletleri tehlikeli olabilirler.
- e) **Elektrikli el aletinin ve aksesuarların bakımını özenle yapın. Aletin hareketli parçalarının kusursuz işlev görüp görmediklerini ve sıkışmadıklarını, parçalarını kırık veya hasarlı olup olmadıklarını kontrol edin, aksi takdirde alet işlevini tam olarak yerine getiremez. Aleti kullanmadan önce hasarlı parçaları onartın.** Birçok iş kazası aletlerin kötü ve yetersiz bakımından kaynaklanır.
- f) **Kesici uçları keskin ve temiz tutun.** İyi bakım görmüş kesici uçlar daha ender sıkışır ve daha iyi yönlendirilirler.
- g) **Elektrikli el aletlerini, aksesuarı, uçları ve benzerlerini bu güvenlik talimatına uygun olarak kullanın. Aleti kullanırken çalışma koşullarını ve yaptığınız işi daima dikkate alın.** Elektrikli el aletlerini kendileri için öngörülen işlerin dışında kullanmak tehlikeli durumların ortaya çıkmasına neden olabilir.

- h) **Tutamak ve kavrama yüzeylerini kuru, yağsız ve temiz tutun.** Kaygan tutamak ve kavrama yüzeyleri, aletin beklenmeyen durumlarda güvenli şekilde tutulmasını ve kontrol edilmesini engeller.
- 5) AKÜLÜ ALETLERLE DİKKATLİ ÇALIŞMAK VE ALETLERİ DOĞRU KULLANMAK**
- a) **Aküleri sadece üretici tarafından tavsiye edilen şarj cihazlarında şarj edin.** Belirli bir tür akü için geliştirilmiş bir şarj cihazının değişik bir akü için kullanılması yangın tehlikesine yol açar.
- b) **Elektrikli el aletlerinde sadece o alet için öngörülen aküleri kullanın.** Başka akülerin kullanılması yaralanmalara ve yangın tehlikesinin ortaya çıkmasına neden olabilir.
- c) **Kullanım dışında bulunan aküleri, kontaklar arasında köprüleme yapma olasılığı bulunan büro ataçları, madeni paralar, anahtarlar, çiviler, vidalar veya diğer küçük metal eşya ve cisimlerden uzak tutun.** Akü kontakları arasındaki bir kısa devre yanmalara veya yangın çıkmasına neden olabilir.
- d) **Yanlış kullanım durumunda akünün dışına sıvılar sızabilir. Bu sıvılara temas etmeyin. Yanlışlıkla aküden sızan sıvılara temas ederseniz, temas yerini hemen su ile yıkayın. Eğer söz konusu sıvı gözünüze kaçacak olursa hemen bir hekime başvurun.** Aküden dışarı sızan sıvılar cildinizde tahrişlere veya yanmalara neden olabilir.
- e) **Hasarlı veya değiştirilmiş akü veya el aleti kullanmayın.** Hasarlı veya değiştirilmiş aküler beklenmedik davranışlara yol açarak yangın, patlama ve yaralanmalara neden olabilir.
- f) **Akü veya aleti ateşe veya yüksek sıcaklıklara maruz bırakmayın.** Ateşe veya 130°C üstündeki sıcaklıklara maruz kalma patlamalara yol açabilir.
- g) **Tüm şarj talimatlarını uygulayın ve akü ya da aleti talimatlarda belirtilen sıcaklık aralığının dışında şarj etmeyin.** Hatalı şarj veya belirtilen aralık dışındaki sıcaklıklarda şarj aküye zarar vererek yangın riskini yükseltebilir.
- 6) SERVİS**
- a) **Aleti sadece uzman bir elemana ve orijinal yedek parçalar kullanılarak onartın.** Böylelikle aletin güvenliğini korumuş olursunuz.
- b) **Hasarlı akülerde onarım işlemi yapmayın.** Akülerin onarımı sadece üretici veya yetkili servisler tarafından yapılmalıdır.

#### **KABLOSUZ PANTER TESTERELER İÇİN GÜVENLİK TALİMATI**

- Kesim aksesuarının gizli kablo tesisatına temas edebileceği bir işlem yaparken elektrikli aleti izolasyonlu tutamaklardan tutun ("akım taşıyan" bir tele temas eden kesim aksesuarı, aletin metal parçalarında da "akım dolaşmasına" ve operatöre elektrik çarpmasına neden olabilir)
- İş parçasını iyice sabitlemek ve desteklemek için mengine kullanın veya diğer pratik yollara başvurun (iş parçasını elde tutmak veya vücuda dayamak sabit olmamasına ve kontrol kaybına neden olabilir)

#### **AKSESUARLAR**

- SKIL sadece orijinal aksesuarlar kullanıldığında aletin düzgün çalışmasını garanti eder

- Bu aletle kullanacağınız aksesuar edilen devir sayısı en azından aletin boştaki en yüksek devir sayısı kadar olmalıdır

#### KULLANMADAN ÖNCE

- İş parçasının vida, çivi ve benzeri malzeme tarafından hasar görmemesi için dikkatli olun; çalışmaya başlamadan önce bunları çıkartın
- **Görünmeyen elektrik kablolarını belirlemek için uygun bir tarama cihazı kullanın veya yerel akım ikmal şirketlerinden yardım isteyin** (elektrik kablolarıyla temas, yangın çıkmasına veya elektrik çarpmalarına neden olabilir; bir gaz borusu hasar görürse patlama tehlikesi ortaya çıkar; bir su borusunun delinmesi halinde maddi hasarlar meydana gelebilir veya elektrik çarpma tehlikesi ortaya çıkabilir)

#### KİŞİLERİN GÜVENLİĞİ

- Bu alet 16 yaşın altındaki kişiler tarafından kullanılmamalıdır
- **Bu aletle asbest içeren malzemeleri işlemeyin** (asbest kanserojen bir madde kabul edilir)
- Kurşun içeren boya, bazı aışap türleri, mineral ve metal gibi malzemelerden çıkan toz zararlı olabilir (tozla temasta bulunulması veya solunması operatörde veya yakında bulunan kişilerde alerjik reaksiyonlara ve/veya solunum yolu hastalıklarına neden olabilir); **toz maskesi takın ve toz ekstraksiyon cihazıyla çalışın (bağlanabiliyorsa)**
- Bazı toz tipleri (örneğin meşe ve kayın ağacı tozu), bilhassa aışap yenileme katkı maddeleriyle birlikte, kansinojenik olarak sınıflandırılır; **toz maskesi takın ve toz ekstraksiyon cihazı ile çalışın (bağlanabiliyorsa)**
- Çalışmak istediğiniz malzemelerin, toz ile ilgili ulusal taleplerini takip edin
- **Ellerinizi kesme alanından ve testereden uzak tutun; diğer elinizi tutamak F ②** (testereyi iki elinizle tuttuğunuz zaman, ellerinizin testere bıçağı tarafından kesilmesi önlenmiş olacaktır)
- **Kestiğiniz cismin alt kısmından ellerinizi uzak tutun** (testerenin elinize olan yakınlığını bakış açınızdan anlamamız güçtür)
- **Kestiğiniz cismi kesinlikle ellerinizde veya bacaklar üzerinde tutmayın** (vücudu olası tehlikelere karşı korumak ve bıçağın kaymasını ya da kontrol kaybını önlemek için kestiğiniz cismin sabit ve sağlam bir şekilde desteklenmesi gerekir)
- **Körelmiş veya hasarlı bir bıçak kullanmayın** (eğilmiş testerele kolay kırılabilir veya ters bir tepkiye neden olabilirler)
- **Testereyi aletten çıkarırken koruyucu eldivenler giyin** (uzun süreli kullanımın ardından testere ısınmış olabilir)
- Koruyucu gözlük ve koruyucu kulaklık giyin

#### BATARYALAR

- **Temin edilen batarya bir miktar şarj edilmiştir** (bataryanın tam kapasiteyle çalışmasını sağlamak için, elektrikli aletinizi ilk kez kullanmadan önce bataryayı batarya şarj cihazında tamamen şarj edin)
- **Bu aletle sadece aşağıdaki bataryaları ve şarj cihazlarını kullanın**
  - SKIL bataryası: BR1\*31\*\*\*\*
  - SKIL şarj cihazı: CR1\*31\*\*\*\*
- Hasarlı bataryaları kullanmayın, yenileyin
- Bataryayı sökmeyin
- Aleti/bataryayı yağmur altında bırakmayın
- İzin verilen ortam sıcaklığı (aleti/şarj cihazını/batarya):
  - şarjda 4...40°C
  - işletmede -20...+50°C

- depolamada -20...+50°C

#### ALET/BATARYA ÜZERİNDE BULUNAN İŞARETLERİN AÇIKLAMASI

- ③ Kullanmadan önce kılavuzu okuyun
- ④ Piller ateşe maruz kaldığında patlar, bu yüzden herhangi bir nedenle pili yakmayın
- ⑤ Aleti, şarj cihazını ve bataryayı daima 0°- 50° arasındaki oda sıcaklığında saklayın
- ⑥ Elektrikli aletlerini ve pilleri evdeki çöp kutusuna atmayın

#### KULLANIM

- Bataryanın şarjı
  - ! **şarj cihazı ile birlikte verilen güvenlik uyarıları ve talimatlarını okuyun**
- Bataryanın çıkarılması/takılması ②
- Batarya şarj süre göstergesi ⑦
  - mevcut batarya seviyesini ⑦a göstermek için batarya seviyesi gösterge düğmesine L basın
- ! **düğmeye L ⑦b bastıktan sonra batarya göstergesinin en düşük seviyesi yanıp sönmeye başladığında bataryanın şarjı bitmiş demektir**
- ! **düğmeye L ⑦c bastıktan sonra batarya göstergesinin 2 seviyeleri yanıp sönmeye başladığında batarya, izin verilen çalışma sıcaklığı aralığında değil demektir**
- LED ışık ⑧
  - Açma/kapatma düğmesine basıldığından LED ışık otomatik olarak yanar
  - ! **LED ışık yanıp sönmeye başladığında batarya koruması devreye girer (aşağıya bakın)**
- Pili koruma
  - Aşağıdaki durumlarda alet aniden kapanır veya tekrar çalıştırılmaz
  - **yük çok yüksek olduğunda** --> yükü kaldırın ve yeniden çalıştırın
  - **akü sıcaklık aralığı olan -20 ila +50°C içinde değilse** --> düğmeye L ⑦c bastıktan sonra akü göstergesinin 2 seviyeleri yanıp sönmeye başladığında; bataryanın yeniden izin verilen çalışma sıcaklık aralığına dönmelerini bekleyin
  - **batarya bitmeye yakinken (aşırı boşalmaya karşı koruma sağlamak için)** --> düğmeye L basıldığından batarya seviye göstergesi tarafından düşük batarya seviyesi veya yanıp sönen düşük batarya seviyesi ⑦b gösterilir; bataryayı şarj edin
  - ! **alet otomatik olarak kapandıktan sonra açma/kapama düğmesine basmayın; pil hasar görebilir**
- Açma/kapama ve hız kontrolü işlevini gören kilitleme düğmeli birleşik şalter ⑨ ⑩
  - önce kilitleme düğmesine basarak açın A
  - B şalterine basmak aleti çalıştırın
  - şaltere az veya çok basmak suretiyle hız sıfırdan maksimuma kadar kademesiz olarak ayarlanabilir - tetiği serbest bırakarak kapatın B
- Kilitleme düğmesi A etkinleştirilebilir ⑨
  - etkinleştirilmesi durumunda, açma/kapama şalteri engellenir ve makine yanlışlıkla açılmaya karşı güvence altına alınır
- Testere bıçağı takılması ⑪
  - ! **herhangi bir ayarlama yapmadan ve aksesuarları değiştirmeden önce bataryayı aletten sökün**
  - testere tutucuya C aletin üzerindeki oklar D yönünde çevirin ve bu pozisyonda tutun
  - testereyi (dişleri aşağı veya yukarı gelecek şekilde) tam dibe yerleştirin

- testere tutucuya C serbest bırakın
- doğru şekilde kilitleyip kilitlemediğini kontrol etmek için testereyi itip çekin
- Testerenin çıkarma ⑪
- ! **herhangi bir ayarlama yapmadan ve aksesuarları değiştirmeden önce bataryayı aletten sökün**
- testere tutucuya C aletin üzerindeki oklar D yönünde çevirin ve bu pozisyonda tutun
- testerenin çekin
- testere tutucuya C serbest bırakın
- Hızlı kesim için orbital hareket ⑫
- testere bıçağının orbital hareketini etkinleştirmek için şekildeki N düğmesini kullanın
- ! **metalleri keserken orbital hareketi etkinleştirmeyin**
- Aletin çalıştırılması
- ! **iş parçasını iyice sabitleyin**
- iş parçası üzerine kesme çizgisini çizin
- bataryayı alete takın
- aleti bir elinizle koldan E diğer elinizle yalıtımlı tutamaktan F tutun
- aleti çalıştırın
- işaretlenmiş çizgi boyunca aleti kullanın
- karşı kuvveti ve titreşimi en aza indirmek için ayak plakasını G iş parçasına sıkı şekilde bastırın
- Aletin tutulması ve kullanılması
- ! **çalışma esnasında, aleti daima gri renkli bölge(ler) den tutun ⑬**
- havalandırma yuvalarını H açık tutun
- alete çok fazla baskı uygulamayın; bırakın alet sizin için çalışsın
- ! **testerenin kurs boyunca iş parçasını tam olarak geçtiğinden emin olun ⑭**
- Etkili kesme derinliğinin ayarlanması ⑮
- ! **herhangi bir ayarlama yapmadan ve aksesuarları değiştirmeden önce bataryayı aletten sökün**
- her iki sabitleme civatasını da gevşetmek ve sıkmak için alyen anahtar K kullanın J
- etkin kesme derinliğini artırmak/azaltmak için ayak plakasını G ileri/geri kaydırın

## UYGULAMA ÖNERİLERİ

- Yerleştirme kesimi ⑯
- Saplamalı kesme işlemi önceden bir delik açmadan ağaç ve diğer yumuşak malzemeler üzerinde uygulanabilir
- kalın bir testere kullanın
- ! **herhangi bir ayarlama yapmadan ve aksesuarları değiştirmeden önce bataryayı aletten sökün**
- dişleri yukarı bakacak şekilde testereyi monte edin
- iş parçası üzerine istenen kesme çizgisini çizin
- testere iş parçasıyla temas etmeyecek şekilde alete eğim verin
- aleti açın ve hareketli testereyi iş parçasına yaslayın
- testere iş parçasına girdikten sonra işaretlenmiş kesme çizgisi boyunca kesme işlemini sürdürün
- ! **metal malzemeler üzerinde saplamalı kesme işlemi gerçekleştirmeyin**
- Uygun testere uçları kullanın ⑰
- Metalleri keserken testere ucunu yağ ile düzenli olarak yağlayın
- Ayrılmaz kesme
- kesme işleminden önce kesme noktasını birkaç kat kalın bant ile kaplayın
- malzemenin iyi yüzü daima aşağıya bakmalıdır
- Daha fazla bilgi için www.skil.com adresine bakın

## BAKIM / SERVİS

- Bu alet profesyonel kullanıma yönelik değildir
- Aleti daima temiz tutun (özellikle havalandırma yuvalarını H 2)
- ! **temizlemeden önce aletten bataryayı çıkarın**
- Dikkatli biçimde yürütülen üretim ve test yöntemlerine rağmen alet arıza yapacak olursa, onarım SKIL elektrikli aletleri için yetkili bir serviste yapılmalıdır
- aleti **ambalajıyla** birlikte satın alma belgenizi de ekleyerek satıcınıza veya en yakın SKIL servisine ulaştırın (adresler ve aletin servis şemaları www.skil.com adresinde listelenmiştir)
- Aşırı yüklenme ve yanlış kullanımın aleti garanti kapsamında çıkaracağını unutmayın (SKIL garanti koşulları için www.skil.com adresine bakın veya satıcınıza başvurun)

## ÇEVRE

- **Elektrikli aletlerini, piller, aksesuarları ve ambalajları evdeki çöp kutusuna atmayın** (sadece AB ülkeleri için)
- kullanılmış elektrikli aletleri, elektrik ve elektronik eski cihazlar hakkındaki 2012/19/EC Avrupa yönergelerine göre ve bu yönergeler ulusal hukuk kurallarına göre uyarlanarak, ayrı olarak toplanmalı ve çevre şartlarına uygun bir şekilde tekrar değerlendirmeye gönderilmelidir
- sembol ⑯ size bunu anımsatmalıdır
- ! **bataryayı tasfiye etmeden önce, kaçak akımları önlemek üzere batarya uçlarını ağır bir bantla sarın**

## GÜRÜLTÜ / TİTREŞİM

- EN 62841 uyarınca ölçülen bu aletin ses basıncı seviyesi 85,0 dB(A) ve ses gücü seviyesi 96,0 dB(A) (tolerans K = 5 dB), titreşimi ise \* (triaks vektör toplamı; tolerans K = 1,5 m/s<sup>2</sup>)
- \* tahta kesimi 9,9 m/s<sup>2</sup>
- \* kalası kesme 9,5 m/s<sup>2</sup>
- Titreşim emisyon seviyesi EN 62841'de sunulan standart teste göre ölçülmüştür; bu seviye, bir alet bir başkasıyla karşılaştırmak amacıyla ve aletin söz konusu uygulamalarda kullanılması sırasında titreşime maruz kalma derecesinin ön değerlendirmesi olarak kullanılabilir
- aletin farklı uygulamalar için veya farklı ya da bakımı yetersiz yapılmış aksesuarlarla kullanılması, maruz kalma seviyesini belirgin biçimde artırabilir
- aletin kapalı olduğu veya çalıştığı ancak gerçek anlamda iş yapmadığı zamanlarda, maruz kalma seviyesi belirgin biçimde azalabilir
- ! **aletin ve aksesuarlarının bakımını yaparak, ellerinizi sıcak tutarak ve iş modellerinizi düzenleyerek kendinizi titreşimin etkilerinden koruyun**

PL

**Bezszcotkowa  
bezprowadowa piła  
bagietowa**

**3480**

## WSTĘP

- To narzędzie jest przeznaczone do cięcia drewna, plastiku, metalu i materiałów budowlanych a także do

przycinania i podcinania drzew; jest ono odpowiednie do wykonywania prostych i zakrzywionych cięć

- Narzędzie nie jest przeznaczone do zastosowań profesjonalnych
- Przeczytać i zachować niniejszą instrukcję obsługi ③

## DANE TECHNICZNE ①

### ELEMENTY NARZĘDZIA ②

- A Pokrętko mocujące
- B Przycisk włącznik/wyłącznik i regulator prędkości
- C Zacisk ostrza
- D Strzałka
- E Rękojeść
- F Tuleja uchwytu
- G Regulowana podpórka
- H Szczeliny wentylacyjne
- J Śruby mocujące
- K Klucz sześciokątny
- L Wskaźnik poziomu naładowania akumulatora
- M Lampka LED
- N Przelącznik ruchu orbitalnego

## BEZPIECZEŃSTWO

### OGÓLNE OSTRZEŻENIA DOTYCZĄCE BEZPIECZEŃSTWA UŻYTKOWNIA ELEKTRONARZĘDZIA

**⚠ OSTRZEŻENIE** Należy przeczytać wszystkie ostrzeżenia dotyczące bezpieczeństwa, instrukcje, ilustracje i dane techniczne dostarczone z tym elektronarzędziem. Nieprzestrzeganie wszystkich poniższych instrukcji może skutkować porażeniem prądem, pożarem i/lub poważnym obrażeniem ciała.

**Wszystkie ostrzeżenia i wskazówki należy zachować do dalszego zastosowania.**

Użyte w poniższym tekście pojęcie "elektronarzędzie" odnosi się do elektronarzędzi zasilanych energią elektryczną z sieci (z przewodem zasilającym) i do elektronarzędzi zasilanych akumulatorami (bez przewodu zasilającego).

#### 1) BEZPIECZEŃSTWO MIEJSCA PRACY

- a) **Miejsce pracy należy utrzymywać w czystości i dobrze oświetlone.** Nieporządek lub nie oświetlone miejsce pracy mogą doprowadzić do wypadków.
- b) **Nie należy pracować tym narzędziem w otoczeniu zagrożonym wybuchem, w którym znajdują się np. łatwopalne ciecze, gazy lub pyły.** Elektronarzędzia wytwarzają iskry, które mogą podpalić ten pył lub parę.
- c) **Elektronarzędzie trzymać podczas pracy z daleka od dzieci i innych osób.** Przy nieuwadze można stracić kontrolę nad narzędziem.

#### 2) BEZPIECZEŃSTWO ELEKTRYCZNE

- a) **Wtyczka urządzenia musi pasować do gniazda. Nie wolno modyfikować wtyczki w jakikolwiek sposób. Nie należy używać wtyczek adapterowych razem z uziemionymi narzędziami.** Nieziemione wtyczki i pasujące gniazda zmniejszają ryzyko porażenia prądem.
- b) **Należy unikać kontaktu z uziemionymi powierzchniami jak rury, grzejniki, piece i lodówki.**

Istnieje zwiększone ryzyko porażenia prądem, gdy Państwa ciało jest uziemione.

- c) **Urządzenie należy przechowywać zabezpieczone przed deszczem i wilgocią.** Wniknięcie wody do elektronarzędzia podwyższa ryzyko porażenia prądem.
- d) **Nigdy nie należy używać kabla do innych czynności. Nigdy nie używać kabla do noszenia urządzenia za kabel, zawieszenia lub do wyciągania wtyczki z gniazda. Kabel należy trzymać z daleka od wysokich temperatur, oleju, ostrych krawędzi lub ruchomych części urządzenia.** Uszkodzone lub poplątane kable zwiększają ryzyko porażenia prądem.
- e) **W przypadku, kiedy elektronarzędziem pracuje się na świeżym powietrzu należy używać kabla przedłużającego, który dopuszczony jest do używania na zewnątrz.** Użycie dopuszczonego do używania na zewnątrz kabla przedłużającego zmniejsza ryzyko porażenia prądem.
- f) **Jeżeli nie da się uniknąć zastosowania elektronarzędzia w wilgotnym otoczeniu, należy użyć wyłącznika ochronnego różnicowo-prądowego.** Zastosowanie wyłącznika ochronnego różnicowo-prądowego zmniejsza ryzyko porażenia prądem.

#### 3) BEZPIECZEŃSTWO OSÓB

- a) **Należy być uważnym, uważać na to co się robi i pracę elektronarzędziem rozpoczynać z rozsądkiem. Nie należy używać urządzenia gdy jest się zmęczonym lub pod wpływem narkotyków, alkoholu lub leków.** Moment nieuwagi przy użyciu urządzenia może doprowadzić do poważnych urażeń ciała.
- b) **Należy nosić osobiste wyposażenie ochronne i zawsze okulary ochronne.** Noszenie osobistego wyposażenia ochronnego jak maska przeciwpyłowa, nie ślizgające się buty robocze, hełm ochronny lub ochrona słuchu, w zależności od rodzaju i zastosowania elektronarzędzia zmniejsza ryzyko obrażeń ciała.
- c) **Należy unikać niezamierzonego uruchomienia narzędzia. Przed włożeniem wtyczki do gniazda i/lub podłączeniem do akumulatora, a także przed podniesieniem lub przeniesieniem elektronarzędzia, należy upewnić się, że elektronarzędzie jest wyłączone.** Trzymanie palca na wyłączniku podczas przenoszenia elektronarzędzia lub podłączenie do prądu włączonego narzędzia, może stać się przyczyną wypadków.
- d) **Zanim urządzenie zostanie włączone należy usunąć narzędzia nastawcze lub klucze.** Narzędzie lub klucz, które znajdują się w ruchomych częściach urządzenia mogą doprowadzić do obrażeń ciała.
- e) **Nie należy przeceniać swoich możliwości. Należy dbać o bezpieczną pozycję pracy i zawsze utrzymywać równowagę.** Przez to możliwa jest lepsza kontrola urządzenia w nieprzewidzianych sytuacjach.
- f) **Należy nosić odpowiednie ubranie. Nie należy nosić luźnego ubrania lub biżuterii. Włosy i ubranie należy trzymać z daleka od ruchomych elementów.** Luźne ubranie, biżuteria lub długie włosy mogą zostać pociągnięte przez poruszające się części.
- g) **W przypadku, kiedy możliwe jest zamontowanie urządzeń odsysających lub podchwytyjących należy upewnić się, czy są one właściwie podłączone i prawidłowo użyte.** Użycie urządzenia odsysającego pył może zmniejszyć zagrożenie pyłami.



- h) **Nie wolno pozwolić, aby rutyna nabyta w wyniku wielokrotnego użycia elektronarzędzia, zastąpiła ścisłe przestrzeganie zasad bezpieczeństwa.** Niedbale obsługiwane elektronarzędzie może w ułamku sekundy wyrządzić istotne szkody lub spowodować ciężkie obrażenia.
- 4) **UWAŻNE OBCOWANIE ORAZ UŻYCIE ELEKTRONARZĘDZIA**
- a) **Nie należy przeciążać urządzenia. Do pracy używać należy elektronarzędzia, które jest do tego przewidziane.** Odpowiednim narzędziem pracuje się lepiej i bezpieczniej w podanym zakresie sprawności.
- b) **Nie należy używać elektronarzędzia, którego wyłącznik/wyłącznik jest uszkodzony.** Elektronarzędzie, którego nie można włączyć lub wyłączyć jest niebezpieczne i musi zostać naprawione.
- c) **Przed rozpoczęciem jakichkolwiek prac nastawczych, przed wymianą osprzętu lub przed odłożeniem elektronarzędzia należy wyjąć wtyczkę z gniazda sieciowego i/lub usunąć akumulator.** Ten środek ostrożności zapobiega niezamierzonemu włączeniu się urządzenia.
- d) **Nie używane elektronarzędzia należy przechowywać poza zasięgiem dzieci. Nie należy udostępniać narzędzia osobom, które jego nie umieją lub nie przeczytały tych przepisów.** Używane przez niedoświadczone osoby elektronarzędzia są niebezpieczne.
- e) **Elektronarzędzia i osprzęt należy utrzymywać w nienagannym stanie technicznym. Należy kontrolować, czy ruchome części urządzenia funkcjonują bez zarzutu i nie są zablokowane, czy części nie są pęknięte lub uszkodzone, co mogłoby mieć wpływ na prawidłowe funkcjonowanie urządzenia. Uszkodzone narzędzie należy przed użyciem urządzenia oddać do naprawy.** Wiele wypadków spowodowanych jest przez niewłaściwą konserwację elektronarzędzi.
- f) **Osprzęt tnący należy utrzymywać ostry i czysty.** Starannie pielęgnowany osprzęt tnący z ostrymi krawędziami tnącymi blokuje się rzadziej i łatwiej się używa.
- g) **Elektronarzędzia, osprzęt, narzędzia itd. należy używać odpowiednio do tych przepisów. Uwzględnić należy przy tym warunki pracy i czynność do wykonania.** Użycie elektronarzędzi do innych niż przewidziane prace może doprowadzić do niebezpiecznych sytuacji.
- h) **Uchwyty i powierzchnie chwytowe powinny być zawsze suche, czyste, niezabrudzone olejem ani smarem.** Śliskie uchwyty i powierzchnie chwytowe nie pozwalają na bezpieczne trzymanie narzędzia i kontrolę nad nim w nieoczekiwanych sytuacjach.
- 5) **UWAŻNE OBCOWANIE I UŻYWANIE NARZĘDZI ZASILANYCH AKUMULATORAMI**
- a) **Akumulatory należy ładować tylko w ładowarkach, które polecił producent.** W ładowarce, która nadaje się do ładowania określonych akumulatorów istnieje niebezpieczeństwo pożaru, gdy użyte zostaną inne akumulatory.
- b) **Do elektronarzędzi należy używać jedynie przewidzianych do tego akumulatorów.** Użycie innych akumulatorów może doprowadzić do obrażeń ciała i niebezpieczeństwa pożaru.
- c) **Nie używany akumulator należy trzymać z daleka od spinaczy, monet, kluczy, gwoździ, śrub lub innych małych przedmiotów metalowych, które mogłyby spowodować zwarcie kontaktów.** Zwarcie pomiędzy kontaktami akumulatora może spowodować oparzenia lub pożar.
- d) **Przy niewłaściwym użyciu możliwe jest wydostanie się cieczy z akumulatora. Należy unikać kontaktu z nią. Przy przypadkowym kontakcie spłukać wodą. W przypadku, że ciecz dostała się do oczu należy dodatkowo skonsultować się z lekarzem.** Ciecz akumulatorowa może doprowadzić do podrażnienia skóry lub oparzeń.
- e) **Nie wolno użytkować uszkodzonych ani modyfikowanych akumulatorów i elektronarzędzi.** Uszkodzone lub przerabiane akumulatory mogą się nieprzewidywalnie zachować, powodując niebezpieczne dla zdrowia skutki (zapłon, eksplozja, obrażenia ciała).
- f) **Akumulator należy trzymać z dala od ognia oraz chronić przed ekstremalnymi temperaturami.** Wskutek działania ognia lub temperatury przekraczającej 130°C akumulator może eksplodować.
- g) **Należy stosować się do wszystkich wskazówek dotyczących ładowania. Nie wolno ładować akumulatora lub elektronarzędzia w temperaturze znajdującej się poza zakresem sprecyzowanym w niniejszej instrukcji.** Niezgodne z instrukcją ładowanie lub ładowanie w temperaturze nie mieszczącej się w zalecanym zakresie może spowodować uszkodzenie akumulatora oraz zwiększa ryzyko pożaru.
- 6) **SERWIS**
- a) **Naprawę urządzenia należy zlecić jedynie kwalifikowanemu fachowcowi i przy użyciu oryginalnych części zamiennych.** To gwarantuje, że bezpieczestwo użytkownika zostanie zachowane.
- b) **Nie wolno w żadnym wypadku naprawiać uszkodzonego akumulatora.** Naprawa akumulatora można dokonywać wyłącznie u producenta lub w autoryzowanym punkcie serwisowym.

## PRZEPISY BEZPIECZEŃSTWA DO BEZPRZEWODOWE PILARKI SZABLASTE

- **Podczas wykonywania prac, przy których narzędzie robocze mogłoby natrafić na ukryte przewody elektryczne, elektronarzędzie należy trzymać za izolowane powierzchnie rękojści** (kontakt z przewodem sieci zasilającej może spowodować przekazanie napięcia na części metalowe elektronarzędzia, co mogłoby doprowadzić do porażenia prądem elektrycznym)
- **Używać kleszczy lub innych narzędzi do zabezpieczenia i podparcia obrabianego materiału do stabilnej powierzchni** (trzymanie części w ręku lub opieranie jej o ciało może prowadzić do utraty kontroli)

## AKCESORIA

- SKIL może zagwarantować bezawaryjne działanie narzędzia tylko przy korzystaniu z oryginalnego wyposażenia dodatkowego
- Używać tylko akcesoriów, których dopuszczalna prędkość obrotowa jest co najmniej tak wysoka jak najwyższa prędkość obrotowa urządzenia na biegu bez obciążenia

## PRZED UŻYCIEM

- Uwaga na gwoździe, śruby i inne twarde przedmioty; przed przystąpieniem do obróbki powinny być usunięte z obrabianego przedmiotu; usuwać je przed rozpoczęciem pracy
- **Aby wykryć ukryte przewody zasilające należy używać stosownych detektorów lub porozumieć się z miejscowymi zakładami energetycznymi** (kontakt z przewodami elektrycznymi może doprowadzić do pożaru i porażenia elektrycznego; uszkodzenie przewodu gazowego może doprowadzić do wybuchu; uszkodzenie przewodów instalacji wodociągowej powoduje szkody rzeczowe i może spowodować porażenie elektryczne)

## BEZPIECZEŃSTWO OSÓB

- Narzędzie nie powinny używać dzieci poniżej 16 roku życia
- **Nie należy obrabiać materiału zawierającego azbest** (azbest jest rakotwórczy)
- Pył pochodzący z takich materiałów, jak farby zawierające ołów, niektóre gatunki drzewa, minerały i metal może być szkodliwy (kontakt z nim lub wdychanie takiego pyłu może powodować reakcje alergiczne i/lub niewydolność oddechową u operatora lub osób towarzyszących); **należy zakładać maskę przeciwpyłową i pracować z urządzeniem odsysającym, jeżeli można je podłączyć**
- Niektóre rodzaje pyłu są zaklasyfikowane jako rakotwórcze (takie, jak pył dębu i buka) szczególnie w połączeniu z dodatkami do kondycjonowania drewna; **należy zakładać maskę przeciwpyłową i pracować z urządzeniem odsysającym pył, jeżeli można je podłączyć**
- Należy stosować się do lokalnych wymogów dotyczących pracy w otoczeniu pyłu powstającego podczas obróbki materiału
- **Trzymać ręce z dala od obszaru pracy i ostrza; drugą rękę trzymać na tulei uchwytu F ②** (trzymając piłę obiema rękami zapobiegasz skaleczeniu się ostrzem)
- **Nie sięgaj ręką pod spód przecinanego materiału** (bliskość ostrza i ręki jest niezauważalna)
- **Nigdy nie trzymaj przecinanego materiału w rękach ani na kolanach** (konieczne jest prawidłowe podparcie części tak, aby zapobiec niebezpieczeństwu skaleczeń, zakleszczeniu się piły czy utracie kontroli)
- **Nie używaj tępych ani uszkodzonych ostrzy** (wygięte ostrza łatwo się łamią i powodują odskakiwanie narzędzia)
- **Podczas wyjmowania ostrza z narzędzia używać rękawic ochronnych** (ostrze pilarki może być gorące po długotrwałym używaniu)
- Należy stosować okulary ochronne i ochraniacze suchu

## AKUMULATORY

- **Dostarczany akumulator jest częściowo naładowany** (aby zapewnić pełne naładowanie akumulatora, przed użyciem elektronarzędzia po raz pierwszy akumulator należy całkowicie naładować ładowarką)
- **Do narzędzia należy stosować wyłącznie poniższe akumulatory i ładowarki**
  - Akumulator SKIL: BR1\*31\*\*\*\*
  - Ładowarka SKIL: CR1\*31\*\*\*\*
- Uszkodzony akumulator należy wymienić; nie należy używać go do pracy
- Nie rozbiierać akumulatora
- Elektronarzędzia/akumulatora nie należy narażać na działanie opadów atmosferycznych
- Dopuszczalna temperatura otoczenia (narzędzie/

ładowarka/akumulator):

- podczas ładowania 4...40°C
- podczas pracy -20...+50°C
- podczas przechowywania -20...+50°C

## OBJAŚNIENIE SYMBOLI NA NARZĘDZIU/

### AKUMULATORZE

- ③ Przed użyciem przeczytaj instrukcję obsługi
- ④ Akumulatory w kontakcie z ogniem mogą eksplodować, więc nie wolno ich pod żadnym pozorem spalać
- ⑤ Narzędzie/ładowarka/akumulator powinny być zawsze przechowywane w pomieszczeniu o temperaturze poniżej 50°C
- ⑥ Nie wyrzucaj elektronarzędzi i baterie wraz z odpadami z gospodarstwa domowego

## UŻYTKOWANIE

- Ładowanie akumulatora  
**! przeczytać wszystkie ostrzeżenia dotyczące bezpieczeństwa oraz instrukcje dostarczone z ładowarką**
- Usuwanie/montaż baterii ⑦
- Wskaźnik akumulatora ⑧
  - nacisnąć przycisk wskaźnika poziomu energii akumulatora L, aby wyświetlić bieżący poziom energii akumulatora ⑦a
  - ! jeśli po naciśnięciu przycisku wskaźnik miga, wskazując najniższy poziom L ⑦b, akumulator jest wyczerpany**
  - ! jeśli po naciśnięciu przycisku na wskaźniku migają 2 paski poziomu, L ⑦c, został przekroczony dopuszczalny limit temperatury roboczej akumulatora**
- Lampka LED ⑨
  - Włączenie przełącznika wł./wyt. powoduje zaświecenie diody LED
  - ! miganie diody LED oznacza, że włączyl się system ochrony akumulatora (patrz poniżej)**
- System ochrony baterii  
Urządzenie nagle wyłącza się lub nie można go włączyć, gdy
  - **obciążenie jest zbyt duże** --> usunąć obciążenie i uruchomić ponownie
  - **temperatura akumulatora jest poza dopuszczalnym zakresem wynoszącym od -20 do 50°C** --> 2 paski poziomu energii akumulatora na wskaźniku zaczęła migać po naciśnięciu przycisku L ⑦c; poczekać, aż temperatura akumulatora powróci do dopuszczalnego zakresu
  - **akumulator jest prawie całkowicie wyczerpany (zabezpieczenie przed głębokim rozładowaniem)**  
--> naciśnięcie przycisku L powoduje wyświetlenie na wskaźniku niskiego poziomu akumulatora lub miganie paska niskiego poziomu akumulatora ⑦b; naładować akumulator
  - ! po automatycznym wyłączeniu narzędzia nie naciskaj przycisku "on/off", ponieważ może to spowodować uszkodzenie akumulatora**
- Włącznik/wyłącznik ze sterowaniem prędkości obrotowej i pokrętle blokującym ⑩ ⑪
  - najpierw odblokować, naciskając pokrętko A
  - elektronarzędzie włączane jest poprzez wciśnięcie włącznika/wyłącznika B
  - zmieniając stopień nacisku na przycisk włącznika/wyłącznika można bezstopniowo sterować prędkością

- w zakresie od zera do maksymalnej prędkości obrotowej
- wyłączyć, zwalniając spust B
- Pokręćto blokujące A może zostać aktywowane ⑨
  - po aktywacji włącznik/wyłącznik zostaje zablokowany, a maszyna jest zabezpieczona przed przypadkowym włączeniem
- Instalacja piły tarczowej ⑩
  - ! **przed dokonaniem jakiegokolwiek regulacji lub zmiany akcesoriów wyjąć z narzędzia akumulatora**
  - przekręcić zacisk ostrza C w kierunku oznaczonym przez strzałkę D na elektronarzędziu i przytrzymać go w tej pozycji
  - włożyć ostrze (z zębami skierowanymi w dół lub w górę) do oporu
  - puścić zacisk ostrza C
  - popchnąć i pociągnąć ostrze w celu sprawdzenia, czy jest prawidłowo zablokowane
- Usunięcie ostrza pilarki ⑪
  - ! **przed dokonaniem jakiegokolwiek regulacji lub zmiany akcesoriów wyjąć z narzędzia akumulatora**
  - przekręcić zacisk ostrza C w kierunku oznaczonym przez strzałkę D na elektronarzędziu i przytrzymać go w tej pozycji
  - proszę wyjąć ostrze
  - puścić zacisk ostrza C
- Ruch orbitalny do szybkiego cięcia ⑫
  - aby uruchomić ruch orbitalny ostrza pilarki, należy użyć przełącznika N w taki sposób, jak pokazano na ilustracji
  - ! **nie włączać ruchu orbitalnego podczas cięcia metalu**
- Obsługa narzędzia
  - ! **bezpiecznie unieruchomić obrabiany materiał**
  - zaznaczyć linię cięcia na materiale
  - montaż akumulatora w narzędziu
  - trzymać narzędzie jedną ręką za rękojeść E i drugą ręką za izolowaną tuleję uchwytu F
  - włączyć narzędzie
  - prowadzić narzędzie wzdłuż zaznaczonej linii cięcia
  - mocno przyciskać podpórkę G do obrabianego materiału w celu zminimalizowania odrzutu i wibracji
- Utrzymywanie i prowadzenie narzędzia
  - ! **podczas pracy zawsze trzymać narzędzie za uchwyt(y) ograniczone szarym kolorem ⑬**
  - szczeliny wentylacyjne H powinny być odkryte
  - nie przyciskać narzędzia zbyt silnie; pozwól mu pracować dla ciebie
  - ! **upewnić się, że ostrze pilarki wystaje na zewnątrz materiału przy całym skoku ⑭**
- Regulacja efektywnej głębokości cięcia ⑮
  - ! **przed dokonaniem jakiegokolwiek regulacji lub zmiany akcesoriów wyjąć z narzędzia akumulatora**
  - użyć klucza imbusowego K do odkręcenia i dokręcenia śrub mocujących J
  - przesuwać podpórkę G do przodu/do tyłu, aby zwiększyć/zmniejszyć efektywną głębokość cięcia

## WSKAZÓWKI UŻYTKOWANIA

- Cięcie wgłębne ⑯
  - Cięcie wgłębne można wykonać w drewnie i innych miękkich materiałach bez wstępnego wiercenia otworu
  - używać grubego ostrza
  - ! **przed dokonaniem jakiegokolwiek regulacji lub**

## zmiany akcesoriów wyjąć z narzędzia akumulatora

- zainstalować ostrze zębami do góry
- zaznaczyć odpowiednią linię cięcia na materiale
- odchylić narzędzie tak, aby ostrze nie dotykało materiału
- włączyć narzędzie i ostrożnie wsunąć pracujące ostrze pilarki do materiału
- gdy ostrze zagłębi się w materiał, kontynuować cięcie wzdłuż zaznaczonej linii
- ! **nie ciąć wgłębnie w metalu**
- Używać właściwych brzeszczotów pił ⑰
- Podczas cięcia metalu regularnie zwilżać olejem brzeszczot piły
- Cięcie bez odłupywania krawędzi
  - przed piłowaniem linię cięcia zakleić kilkoma warstwami szerokiej taśmy klejącej
  - eksponowaną stronę piłowanego materiału zawsze układać do dołu
- Więcej informacji można znaleźć pod adresem [www.skil.com](http://www.skil.com)

## KONSERWACJA / SERWIS

- Narzędzie nie jest przeznaczone do zastosowań profesjonalnych
- Zawsze dbać o czystość narzędzia (a szczególnie otworów wentylacyjnych H ②)
- ! **przed rozpoczęciem czyszczenia wyjąć akumulator z narzędzia**
- Jeśli narzędzie, mimo dokładnej i wszechstronnej kontroli produkcyjnej ulegnie kiedykolwiek awarii, naprawę powinien przeprowadzić autoryzowany serwis elektronarzędzi firmy SKIL
  - odesłać **nierozebrany** narzędzie, wraz z dowodem zakupu, do dealera lub do najbliższego punktu usługowego SKIL (adresy oraz diagram serwisowy narzędzenia znajdują się na stronach [www.skil.com](http://www.skil.com))
- Prosimy pamiętać, że uszkodzenia spowodowane przecięciem lub niewłaściwym użytkowaniem narzędzia nie podlegają gwarancji (warunki gwarancji SKIL znajdują się na [www.skil.com](http://www.skil.com) lub pytać swojego dealera)

## ŚRODOWISKO

- **Nie wyrzucaj elektronarzędzi, baterie, akcesoriów i opakowania wraz z odpadami z gospodarstwa domowego** (dotyczy tylko państw UE)
  - zgodnie z Europejską Dyrektywą 2012/19/WE w sprawie zużytego sprzętu elektrotechnicznego i elektronicznego oraz dostosowaniem jej do prawa krajowego, zużyte elektronarzędzia należy posegregować i zutylizować w sposób przyjazny dla środowiska
  - w przypadku potrzeby pozbycia się narzędzia, akcesoriów i opakowania - symbol ⑥ przypomni Ci o tym
  - ! **przed oddaniem akumulatora do punktu odbioru surowców wtórnych zabezpieczyć taśmą jego styki w celu uniknięcia powstawania prądów pełzających**

## HAŁASU / WIBRACJE

- Poziom ciśnienia akustycznego mierzonego zgodnie z normą EN 62841 wynosi 85,0 dB(A), a poziom mocy

akustycznej wynosi 96,0 dB(A) (odchylenie K = 5 dB), wibracja \* (trójosiowa suma wektorowa; odchylenie K = 1,5 m/s<sup>2</sup>)

\* cięcie desek 9,9 m/s<sup>2</sup>

\* cięcie belki drewnianej 9,5 m/s<sup>2</sup>

- Poziom emisji wibracji został zmierzony zgodnie z testem standaryzowanym podanym w EN 62841; może służyć do porównania jednego narzędzia z innym i jako ocena wstępna narażenia na wibracje w trakcie używania narzędzia do wymienionych zadań
- używanie narzędzia do innych zadań, lub z innymi albo źle utrzymanymi akcesoriami, może znacząco **zwiększyć** poziom narażenia
- przypadki, kiedy narzędzie jest wyłączone lub jest czynne, ale aktualnie nie wykonuje zadania, mogą znacząco **zmniejszyć** poziom narażenia
- ! **należy chronić się przed skutkami wibracji przez konserwację narzędzia i jego akcesoriów, zakładanie rękawic i właściwą organizację pracy**

RU

## Бесщеточная аккумуляторная сабельная пила

3480

В состав эксплуатационных документов, предусмотренных изготовителем для продукции, могут входить настоящее руководство по эксплуатации, а также приложения. Информация о подтверждении соответствия содержится в приложении.

### Срок службы изделия

Срок службы изделия составляет 7 лет. Не рекомендуется к эксплуатации по истечении 5 лет хранения с даты изготовления без предварительной проверки (дату изготовления см. на этикетке).

### Перечень критических отпазов и ошибочные действия персонала или пользователя

- не использовать с поврежденной рукояткой или поврежденным защитным кожухом
- не использовать при появлении дыма непосредственно из корпуса изделия
- не использовать с перетбитым или оголенным электрическим кабелем
- не использовать на открытом пространстве во время дождя (в распыляемой воде)
- не включать при попадании воды в корпус
- не использовать при сильном искрении
- не использовать при появлении сильной вибрации

### Критерии предельных состояний

- перетёрт или повреждён электрический кабель
- повреждён корпус изделия

### Тип и периодичность технического обслуживания

Рекомендуется очистить инструмент от пыли после каждого использования.

### Хранение

- необходимо хранить в сухом месте
- необходимо хранить вдали от источников повышенных температур и воздействия солнечных лучей
- при хранении необходимо избегать резкого перепада температур

- хранение без упаковки не допускается
- подробные требования к условиям хранения смотрите в ГОСТ 15150 (Условие 1)

### Транспортировка

- категорически не допускается падение и любые механические воздействия на упаковку при транспортировке
- при разгрузке/погрузке не допускается использование любого вида техники, работающей по принципу зажима упаковки
- подробные требования к условиям транспортировки смотрите в ГОСТ 15150 (Условие 5)

### ВНИМАНИЕ!

**В случае возникновения перебоя в работе электроинструмента вследствие полного или частичного прекращения энергоснабжения или повреждения цепи управления энергоснабжением установите выключатель в положение Выкл., убедившись, что он не заблокирован (при его наличии) и отключите сетевую вилку от розетки или отсоедините съёмный аккумулятор (этим предотвращается неконтролируемый повторный запуск)**

## ВВЕДЕНИЕ

- Данный инструмент предназначен для распилки дерева, пластика, металла и строительных материалов, а также для подрезания ветвей; подходит для выполнения прямых и криволинейных срезов
- Данный инструмент не подходит для промышленного использования
- Прочитайте и сохраните с данной инструкцией ③

## ТЕХНИЧЕСКИЕ ДАННЫЕ ①

### СТРАНА ИЗГОТОВЛЕНИЯ

Сделано в Китае

## ДЕТАЛИ ИНСТРУМЕНТА ②

- A** Ручка фиксации
- B** Курок-выключатель вкл/выкл и регулятор скорости
- C** Держатель лезвия
- D** Стрелка
- E** Рукоятка
- F** Зажим барабана
- G** Регулируемая опорная поверхность
- H** Вентиляционные отверстия
- J** Крепежные болты
- K** Ключ-шестигранник
- L** Индикатор уровня заряда
- M** Световой индикатор
- N** Переключатель эпициклической работы

## БЕЗОПАСНОСТЬ

### ОБЩИЕ УКАЗАНИЯ ПО ТЕХНИКЕ БЕЗОПАСНОСТИ ОБ- РАЩЕНИЯ С ЭЛЕКТРОИНСТРУМЕНТАМИ

**⚠ ВНИМАНИЕ! Следует ознакомиться со всеми правилами техники безопасности, инструкциями,**

иллюстрациями и техническими данными, содержащимися в прилагаемых к этому электроинструменту материалах. Несоблюдение нижеперечисленных инструкций в полном объеме может повлечь поражение электрическим током, пожар и/или серьезную травму.

**Сохраняйте эти инструкции и указания для будущего использования.**

Использованное в настоящих инструкциях и указаниях понятие “электроинструмент” распространяется на электроинструмент с питанием от сети (с кабелем питания от электросети) и на аккумуляторный электроинструмент (без кабеля питания от электросети).

#### 1) БЕЗОПАСНОСТЬ РАБОЧЕГО МЕСТА

- a) **Соблюдайте чистоту и поддерживайте надлежащую освещенность на рабочем месте.** Беспорядок на рабочем месте или его плохое освещение могут привести к несчастным случаям.
- b) **Не используйте с электроинструментом во взрывоопасной среде, т.е. в непосредственной близости от легковоспламеняющихся жидкостей, газов или пыли.** В процессе работы электроинструмент искрит и искры могут воспламенить газы или пыль.
- c) **При работе с электроинструментом не допускайте детей или посторонних на Ваше рабочее место.** Отвлечение Вашего внимания может привести к потере контроля над работой электроинструмента.

#### 2) ЭЛЕКТРИЧЕСКАЯ БЕЗОПАСНОСТЬ

- a) **Штепсельная вилка кабеля питания электроинструмента должна соответствовать розетке электросети. Не вносите никаких изменений в конструкцию вилки. Не используйте адаптеры для электроинструмента с защитным заземлением.** Заводские штепсельные вилки и соответствующие им сетевые розетки существенно снижают вероятность электрошока.
- b) **Избегайте механических контактов с такими заземленными поверхностями, как трубопроводы, системы отопления, плиты и холодильники.** При соприкосновении человека с заземленными предметами во время работы инструментом вероятность электрошока существенно возрастает.
- c) **Оберегайте электроинструмент от воздействия дождя и влаги.** Попадание воды в электроинструмент повышает вероятность электрического удара.
- d) **Используйте кабель строго по назначению. Не допускается тянуть и передвигать электроинструмент за кабель или использовать кабель для вытягивания вилки из розетки. Оберегайте кабель инструмента от воздействия высоких температур, масла, острых кромок или движущихся частей электроинструмента.** Поврежденный или спутанный кабель повышает возможность электрического удара.
- e) **При работе на улице используйте удлинитель, предназначенный для работы вне помещения.**

Использование такого удлинителя снижает вероятность электрического удара.

- f) **Если невозможно избежать применения электроинструмента в сыром помещении, то устанавливайте устройство защиты от утечки в землю.** Использование устройства защиты от утечки в землю снижает риск электрического поражения.
- 3) **ЛИЧНАЯ БЕЗОПАСНОСТЬ**
  - a) **Будьте внимательны, следите за тем, что Вы делаете и выполняйте работу обдуманно. Не пользуйтесь электроинструментом, если Вы устали или находитесь под воздействием транквилизаторов, алкоголя или медицинских препаратов.** Секундная потеря концентрации в работе с электроинструментом может привести к серьезным травмам.
  - b) **Используйте средства индивидуальной защиты. Защитные очки обязательны.** Средства индивидуальной защиты, такие как противопылевой респиратор, нескользящая защитная обувь, шлем-каска, средства защиты органов слуха применяются в соответствующих условиях работы обстоятельствах и минимизируют возможность получения травм.
  - c) **Предотвращайте непреднамеренное включение электроинструмента. Перед подключением электроинструмента к электропитанию и/или к аккумулятору убедитесь в выключенном состоянии электроинструмента.** Если Вы при транспортировке электроинструмента держите палец на выключателе или включенный электроинструмент подключаете к сети питания, то это может привести к несчастному случаю.
  - d) **Во избежание травм перед включением электроинструмента удалите регулировочный или гаечный ключ из вращающейся части электроинструмента.**
  - e) **Не переоценивайте свои возможности. Твердо стойте на ногах и удерживайте равновесие.** В таком положении вы сможете лучше контролировать электроинструмент в неожиданных ситуациях.
  - f) **Используйте подходящую рабочую одежду. Не надевайте свободную одежду и украшения. Держите волосы и одежду вдали от движущихся частей.** Свободная одежда, украшения или длинные волосы легко могут попасть в движущиеся части электроинструмента.
  - g) **При наличии пылесосывающих и пылесборных приспособлений убедитесь в том, что они подсоединены и используются надлежащим образом.** Применение пылесоса может снизить опасности, создаваемые пылью.
  - h) **Хорошее знание электроинструментов, полученное в результате частого их использования, не должно приводить к самоуверенности и игнорированию техники безопасности обращения с электроинструментами.** Одно небрежное действие за долю секунды может привести к серьезным травмам.
- 4) **ЭКСПЛУАТАЦИЯ И УХОД ЗА ЭЛЕКТРОИНСТРУМЕНТОМ**
  - a) **Не перегружайте электроинструмент. Используйте тот электроинструмент, который**

- предназначен для данной работы. С подходящим электроинструментом Вы выполните работу лучше и надежней, используя весь диапазон его возможностей.
- b) **Не используйте электроинструмент с неисправным выключателем.** Инструмент с неисправным выключателем опасен и подлежит ремонту.
  - c) **До начала наладки электроинструмента, замены принадлежностей или прекращения работы отключайте штепсельную вилку от розетки сети и/или выньте, если это возможно, аккумулятор.** Данная мера предосторожности предотвращает случайное включение электроинструмента.
  - d) **Храните неиспользуемый электроинструмент в недоступном для детей месте и не позволяйте использовать его лицам, не умеющим с ним обращаться или не ознакомленным с инструкцией по эксплуатации.** Электроинструменты представляют собой опасность в руках неопытных пользователей.
  - e) **Тщательно ухаживайте за электроинструментом и принадлежностями.** Проверяйте безупречность функции подвижных частей, лёгкость их хода, целостность всех частей и отсутствие повреждений, которые могут негативно сказаться на работе инструмента. При обнаружении повреждений сдайте инструмент в ремонт. Большое число несчастных случаев связано с неудовлетворительным уходом за электроинструментом.
  - f) **Режущие части инструмента необходимо поддерживать в заточенном и чистом состоянии.** При надлежащем уходе за режущими принадлежностями с острыми кромками они реже заклиниваются и инструмент лучше поддаётся контролю.
  - g) **Используйте электроинструмент, принадлежности, биты и т.д. в соответствии с данными инструкциями, исходя из особенностей условий и характера выполняемой работы.** Использование электроинструмента не по назначению может привести к опасным последствиям.
  - h) **Держите ручки и поверхности захвата сухими и чистыми, следите чтобы на них чтобы на них не было жидкой или консистентной смазки.** Скользкие ручки и поверхности захвата препятствуют безопасному обращению с инструментом и не дают надёжно контролировать его в непредвиденных ситуациях.
  - 5) **ЭКСПЛУАТАЦИЯ И УХОД ЗА АККУМУЛЯТОРНЫМ ЭЛЕКТРОИНСТРУМЕНТОМ**
    - a) **Зарядка аккумуляторной батареи производится только на тех зарядных устройствах, которые рекомендованы изготовителем.** Использование нерегламентированных зарядных устройств для зарядки аккумуляторной батареи может привести к возгоранию.
    - b) **В электроинструменте надлежит использовать только те аккумуляторные батареи, которые предусмотрены для данного инструмента.** Использование других аккумуляторных батарей

может привести к травмам и возникновению пожарной опасности.

- c) **Не оставляйте аккумуляторную батарею рядом с металлическими предметами – канцелярскими скрепками, монетами, ключами, гвоздями, винтами и другими металлическими предметами, которые могут замкнуть контакты.** Короткое замыкание контактов аккумуляторной батареи может привести к ожогам или пожару.
- d) **В случаях ненадлежащего обращения с аккумуляторной батареей из нее может вытечь жидкость. Избегайте контакта с ней. При случайном попадании жидкости на кожу – промойте водой. При попадании жидкости в глаза, обратитесь также за помощью к врачу.** Вытекшая аккумуляторная жидкость может привести к раздражению кожи или ожогам.
- e) **Не используйте поврежденные или измененные аккумуляторы или инструменты.** Поврежденные или измененные аккумуляторы могут повести себя непредсказуемо, что может привести к возгоранию, взрыву или риску получения травмы.
- f) **Не кладите аккумулятор или инструмент в огонь и не подвергайте их воздействию высоких температур.** Огонь или температура выше 130°C могут привести к взрыву.
- g) **Выполняйте все инструкции по зарядке и не заряжайте аккумулятор или инструмент при температуре, выходящей за указанный в инструкции диапазон.** Неправильная зарядка или зарядка при температурах, выходящих за указанный диапазон, могут повредить батарею и повысить риск возгорания.
- 6) **СЕРВИСНОЕ ОБСЛУЖИВАНИЕ**
  - a) **Передавайте электроинструмент на сервисное обслуживание только квалифицированному персоналу, использующему только подлинные запасные части.** Это обеспечит сохранение безопасности электроинструмента.
  - b) **Никогда не обслуживайте поврежденные аккумуляторы.** Обслуживать аккумуляторы разрешается только производителю или авторизованной сервисной организации.

## УКАЗАНИЯ ПО БЕЗОПАСНОСТИ ДИЯ АККУМУЛЯТОРНЫЕ САБЕЛЬНЫЕ ПИЛЫ

- **Если при пользовании инструментом возможен контакт режущего органа со скрытой проводной, инструмент следует держать за изолированные поверхности (контакт режущего органа с проводкой под напряжением может поставить металлические части инструмента под напряжение и привести к поражению оператора электротоком)**
- **Используйте струбцины или другой удобный способ для крепления изделия к прочной платформе и его подержки (если держать изделие в руках или прижимать к телу, оно будет недостаточно зафиксировано, что может привести к потере контроля)**

## ПРИНАДЛЕЖНОСТИ

- SKIL обеспечивает надёжную работу инструмента только при использовании соответствующих приспособлений

- Использовать только принадлежности, предельно допустимая скорость вращения которых не меньше, чем максимальная скорость вращения прибора на холостом ходу

#### ПЕРЕД ИСПОЛЬЗОВАНИЕМ

- Избегайте повреждений, которые могут быть вызваны винтами, гвоздями и прочими элементами, находящимися в обрабатываемом предмете; перед началом работы их нужно удалить
- **Используйте подходящие металлодетекторы для нахождения скрытых проводов снабжения или наведите справки в местных предприятиях коммунального хозяйства** (контакт с электропроводкой может привести к пожару и электрическому удару; повреждение газопровода может привести к взрыву; повреждение водопровода может привести к повреждению имущества или вызвать электрический удар)

#### ЛИЧНАЯ БЕЗОПАСНОСТЬ

- Инструмент нельзя использовать лицам в возрасте до 16 лет
- **Не обрабатывайте материалы с содержанием асбеста** (асбест считается канцерогеном)
- Пыль от таких материалов, как свинцовосодержащая краска, некоторые породы дерева, минералы и металл, может быть вредна (контакт с такой пылью или ее вдыхание может стать причиной возникновения у оператора или находящихся рядом лиц аллергических реакций и/или респираторных заболеваний); **надевайте респиратор и работайте с пылеудаляющим устройством при включении инструмента**
- Некоторые виды пыли классифицируются как канцерогенные (например, дубовая или буковая пыль), особенно в сочетании с добавками для кондиционирования древесины; **надевайте респиратор и работайте с пылеудаляющим устройством при включении инструмента**
- Следуйте принятым в вашей стране требованиям/нормативам относительно пыли для тех материалов, с которыми вы собираетесь работать
- **Держите руки в стороне от рабочей зоны и от лезвия; второй рукой держитесь за заним барабана F ②** (если вы держите пилу обеими руками, опасность повреждения лезвием отпадает)
- **Не подсовывайте руки под изделие** (вы не видите расстояние между лезвием и своей рукой)
- **Никогда не держите изделие в руках или на ноге** (изделие должно быть установлено верно для исключения повреждения тела, заедания лезвия или утраты контроля)
- **Не используйте тупые или поврежденные лезвия** (изогнутые лезвия могут легко сломаться или вызвать отдачу)
- **Используйте защитные перчатки во время снятия лезвия с инструмента** (после длительного использования рабочее лезвие может быть горячим)
- Одевайте защитные очки и средства защиты волос

#### АНКУМУЛЯТОРЫ

- **Прилагаемый аккумулятор частично заряжен** (чтобы воспользоваться полной емкостью аккумулятора, полностью зарядите аккумулятор в зарядном устройстве перед первым использованием электроинструмента)
- **При эксплуатации инструмента следует пользоваться только следующими**

#### аккумуляторами и зарядными устройствами

- Аккумулятор SKIL: BR1\*31\*\*\*\*
- Зарядное устройство SKIL: CR1\*31\*\*\*\*
- Запрещается пользоваться поврежденным аккумулятором; его необходимо заменить
- Запрещается разбирать аккумулятор
- Не оставляйте инструмент / аккумулятор под дождем
- Допустимая температура окружающей среды (инструмент/зарядное устройство/аккумулятор):
  - при зарядке 4...40°C
  - при эксплуатации -20...+50°C
  - при хранении -20...+50°C

#### ПОЯСНЕНИЯ К УСЛОВНЫМ ОБОЗНАЧЕНИЯМ НА ИНСТРУМЕНТЕ/АНКУМУЛЯТОРНОЙ БАТАРЕЕ

- ③ Перед использованием ознакомьтесь с руководством по эксплуатации
- ④ При попадании в огонь батареи взрываются, поэтому ни в коем случае не сжигайте батареи
- ⑤ В зоне хранения инструмента, зарядного устройства и аккумулятора температура не должна подниматься выше 50°C
- ⑥ Не выкидывайте электроинструмент и батареи вместе с бытовым мусором

## ИСПОЛЬЗОВАНИЕ

- Зарядка аккумулятора
  - ! **ознакомьтесь с прилагаемыми к зарядному устройству правилами техники безопасности**
- Извлечение / установка аккумулятора ②
- Индикатор уровня заряда ⑦
  - чтобы узнать текущий уровень заряда аккумулятора ⑦a, нажмите на кнопку индикатора уровня заряда L
  - ! **если после нажатия кнопки L ⑦b начинает мигать самый низкий уровень индикатора батареи, значит аккумулятор разряжен**
  - ! **если после нажатия кнопки L ⑦c начинают мигать уровни 2 индикатора батареи, значит температура аккумулятора находится за пределами допустимого диапазона рабочих температур**
- Светодиодный индикатор ⑧
  - При активации выключателя автоматически загорается светодиодный индикатор
  - ! **если светодиод начинает мигать, активируется защита аккумулятора (см. ниже)**
- Защита аккумулятора
  - Инструмент внезапно выключается или не может быть включен, когда
    - **нагрузка слишком высока** --> уменьшите нагрузку и выполните перезапуск
    - **температура аккумулятора выходит за пределы допустимого диапазона рабочих температур от -20 до +50 °C** --> при нажатии кнопки L ⑦c начинают мигать уровни 2 индикатора уровня заряда батареи; дождитесь, пока температура аккумулятора вернется в допустимый диапазон рабочих температур
  - **аккумулятор почти разряжен (для защиты от глубокого разряда)** --> низкий уровень заряда батареи или мигающий низкий уровень заряда батареи ⑦b отображается индикатором уровня заряда батареи при нажатии кнопки L; зарядите аккумулятор

**! в случае автоматического выключения инструмента не пытайтесь включить его снова, поскольку при этом может быть повреждена батарея**

- Комбинированный выключатель для включения / выключения и регулировки частоты вращения ручкой фиксации ⑨ ⑩
  - сначала разблокируйте, нажав на ручку А
  - отключение инструмента производится отпусанием курка выключателя В
  - скорость регулируется плавно в диапазоне от нуля до максимального значения путем изменения нажатия на курок выключателя
  - выключите инструмент отпустив выключатель В
- Можно задействовать ручку фиксации А ⑨
  - Это блокирует выключатель, что исключает случайное включение машины
- Установка лезвия пилы ⑪

**! выньте аккумулятор из инструмента перед тем, как производить какое-либо регулирование в замену частей или**

- поверните держатель лезвия С в том же направлении, что и стрелка D на инструменте, и удерживайте его в этом положении
- вставьте лезвие (зубцами вверх или вниз) на максимальную глубину
- отпустите держатель лезвия С
- толкните и потяните лезвие, чтобы проверить, правильно ли оно защёлкнулось

- Снятие лезвия пилы ⑪

**! выньте аккумулятор из инструмента перед тем, как производить какое-либо регулирование в замену частей или**

- поверните держатель лезвия С в том же направлении, что и стрелка D на инструменте, и удерживайте его в этом положении
- вытащите лезвие
- отпустите держатель лезвия С

- Эпициклическая работа для быстрой разрезки ⑫

- для активизации эпициклической работы лезвия пилы используйте выключатель N как показано на рисунке

**! не применяйте эпициклическое воздействие при резке металла**

- Использование инструмента

**! прочно закрепите изделие**

- отметьте линию распила на изделии
- вставьте аккумулятор
- держите инструмент одной рукой за рукоятку E, а другой - за изолированный зажим барабана F
- включите инструмент
- направляйте инструмент вдоль отмеченной линии распила
- опорная поверхность G должна плотно прилегать к изделию, чтобы уменьшить отдачу и вибрацию

- Удерживание и направление инструмента

**! во время работы, всегда держите инструмент за места правильного хвата, которые обозначены серым цветом ⑬**

- содержите вентиляционные отверстия H не закрытыми
- не прилагайте чрезмерных усилий к инструменту; дайте инструменту поработать за Вас

**! убедитесь, что ход пильного лезвия достаточен**

**для обрабатываемого изделия ⑭**

- Регулировка эффективной глубины пропила ⑮
  - ! выньте аккумулятор из инструмента перед тем, как производить какое-либо регулирование в замену частей или**
  - воспользуйтесь ключом-шестигранником K для отворачивания и заворачивания обоих крепежных болтов J
  - сдвиньте опорную пластину G вперед / назад, чтобы увеличить / уменьшить эффективную глубину резки

## СОВЕТЫ ПО ИСПОЛЬЗОВАНИЮ

- Глубокое пиление ⑯
  - Глубокое пиление можно производить на изделиях из дерева и других мягких материалов без предварительного просверливания отверстия
  - используйте толстые лезвия
- ! выньте аккумулятор из инструмента перед тем, как производить какое-либо регулирование в замену частей или**
- установите лезвие зубцами вверх
- отметьте необходимую линию распила на изделии
- наклоните инструмент так, чтобы лезвие не касалось изделия
- включите инструмент, осторожно поднесите двигающееся пильное лезвие к изделию и начните работу
- после прикосновения лезвия к изделию продолжайте пиление вдоль отмеченной линии распила
- ! не производите глубокое пиление металлических материалов**
- Используйте соответствующие пилки ⑰
- При работе с металлами регулярно смазывайте пилки маслом
- Пропил без расщепления
  - наклейте несколько слоёв широкой ленты на линию разреза
  - всегда режьте по противоположной (тыльной) стороне материала
- Подробнее на сайте [www.skil.com](http://www.skil.com)

## ТЕХОБСЛУЖИВАНИЕ / СЕРВИС

- Данный инструмент не подходит для промышленного использования
- Инструмент следует содержать в чистоте (особенно вентиляционные отверстия H ⑳)
- ! перед чистой следует извлечь из инструмента аккумулятор**
- Если инструмент, несмотря на тщательные методы изготовления и испытания, выйдет из строя, то ремонт следует производить силами авторизованной сервисной мастерской для электроинструментов фирмы SKIL
  - отправьте **неразобранный** инструмент со свидетельством покупки Вашему дилеру или в ближайшую станцию обслуживания фирмы SKIL (адреса и схема обслуживания инструмента приведены в вебсайте [www.skil.com](http://www.skil.com))
- Примите к сведению, что повреждения вследствие перегрузки или ненадлежащего обращения с инструментом не будут включены в гарантию



(условия гарантии SKIL см. на сайте [www.skil.com](http://www.skil.com) или узнайте у дилера в Вашем регионе)

## ОХРАНА ОКРУЖАЮЩЕЙ СРЕДЫ

- **Не выкидывайте электроинструмент, батареи, принадлежности и упаковку вместе с бытовым мусором** (только для стран ЕС)
  - во исполнение европейской директивы 2012/19/ЕС об утилизации отслужившего свой срок электрического и электронного оборудования и в соответствии с действующим законодательством, утилизация электроинструментов производится отдельно от других отходов на предприятиях, соответствующих условиям экологической безопасности
  - значок  напомнит Вам об этом, когда появится необходимость сдать электроинструмент на утилизацию
- ! **перед тем как выбросить аккумуляторы или направить их на утилизацию, изолируйте клеммы аккумуляторов прочной изоляционной лентой для исключения короткого замыкания**

## ШУМ / ВИБРАЦИЯ

- Согласно измерениям в соответствии с EN 62841 уровень звукового давления этого инструмента составляет 85,0 дБ(A), уровень звуковой мощности — 96,0 дБ(A) (погрешность K = 5 дБ), а вибрация \* (векторная сумма по трем осям; погрешность K = 1,5 м/с<sup>2</sup>)
  - \* распиливание доски 9,9 м/с<sup>2</sup>
  - \* распиливание деревянных балок со скоростью 9,5 м/с<sup>2</sup>
- Уровень вибрации был измерен в соответствии со стандартизированным испытанием, содержащимся в EN 62841; данная характеристика может использоваться для сравнения одного инструмента с другим, а также для предварительной оценки воздействия вибрации при использовании данного инструмента для указанных целей
  - при использовании инструмента в других целях или с другими/неисправными вспомогательными приспособлениями уровень воздействия вибрации может значительно **повышаться**
  - в периоды, когда инструмент отключен или функционирует без фактического выполнения работы, уровень воздействия вибрации может значительно **снижаться**
- ! **защищайте себя от воздействия вибрации, поддерживая инструмент и его вспомогательные приспособления в исправном состоянии, поддерживая руки в тепле, а также правильно организовывая свой рабочий процесс**

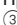
UA

**Безщиткова бездротова шабельна пилка 3480**

## ВСТУП

- Даний інструмент призначений для розпилення дерева, пластику, металу й будівельних матеріалів,

а також для підрізання гілок; інструмент є придатним для виконання прямого та криволінійного розпилювання

- Цей інструмент не придатний для промислового використання
- Прочитайте і збережіть цю Інструкцію з експлуатації 


## ТЕХНІЧНІ ДАНІ

## ЕЛЕМЕНТИ ІНСТРУМЕНТА

- A Стопорна ручка
- B Вимикач для вкл/викл та регулювання швидкості
- C Затискач леза пилки
- D Стрілка
- E Руків'я
- F Шийка
- G Регульований поковзень
- H Вентиляційні отвори
- J Затиски болти
- K Шестигранний ключ
- L Індикатор рівня заряду батареї
- M Світлодіодний індикатор
- N Перемикач епіциклічної дії

## БЕЗПЕКА

### ЗАГАЛЬНІ ВКАЗІВКИ З ТЕХНІКИ БЕЗПЕКИ ПОВОДЖЕННЯ З ЕЛЕКТРОІНСТРУМЕНТАМИ

 **ПОПЕРЕДЖЕННЯ** Уважно вивчіть запобіжні заходи та ілюстрації, а також прочитайте вказівки та технічні умови, що входять в комплект поставки цього електроінструменту. Недотримання нижчеперелічених вказівок у повному обсязі може спричинити ураження електричним струмом, пожежу та / або серйозну травму.

**Добре зберігайте на майбутнє ці попередження і вказівки.**

Під поняттям “електроприлад” в цих попередженнях мається на увазі електроприлад, що працює від мережі (з електрокабелем) або від акумуляторної батареї (без електрокабелю).

### 1) БЕЗПЕКА НА РОБОЧОМУ МІСЦІ

- а) **Прймайте своє робоче місце в чистоті та прибирайте його.** Безлад або погане освітлення на робочому місці можуть призводити до нещасних випадків.
  - б) **Не працюйте з приладом у середовищі, де існує небезпека вибуху внаслідок присутності горючих рідин, газів або пилу.** Електроприлади можуть породжувати іскри, від яких може займатися пил або пари.
  - в) **Під час працювання з приладом не підпускайте до робочого місця дітей та інших людей.** Ви можете втратити контроль над приладом, якщо Ваша увага буде відвернута.
- ### 2) ЕЛЕКТРИЧНА БЕЗПЕКА
- а) **Штепсель приладу повинен пасувати до розетки. Не дозволяється що-небудь міняти в штепселі.**

- Для роботи з приладами, що мають захисне заземлення, не використовуйте адаптери.** Використання оригінального штепселя та належної розетки зменшує ризик удару електричним струмом.
- b) **Уникайте контакт частей тіла із заземленими поверхнями, як напр., трубами, батареями опалення, печами та холодильниками.** Коли Ваше тіло заземлене, існує збільшена небезпека удару електричним струмом.
- c) **Захищайте прилад від дощу та вологи.** Попадання води в електроінструмент збільшує ризик удару електричним струмом.
- d) **Не використовуйте кабель для перенесення приладу, підвішування або витягування штепселя з розетки.** Захищайте кабель від жару, олії, гострих країв та деталей приладу, що рухаються. Пошкоджений або закручений кабель збільшує ризик удару електричним струмом.
- e) **Для зовнішніх робіт обов'язково використовуйте лише такий подовжувач, що допущений для зовнішніх робіт.** Використання подовжувача, що розрахований на зовнішні роботи, зменшує ризик удару електричним струмом.
- f) **Якщо не можна запобігти використанню електроприладу у вологому середовищі, використовуйте пристрій захисту від витону в землю.** Використання з пристроєм захисту від витону в землю зменшує ризик удару електричним струмом.
- 3) БЕЗПЕКА ЛЮДЕЙ**
- a) **Будьте уважними, слідкуйте за тим, що Ви робите, та розсудливо поведіться під час роботи з електроприладом.** Не користуйтеся приладом, якщо Ви стомлені або знаходитесь під дією наркотиків, спиртних напоїв або лік. Мить неуважності при користуванні приладом може призводити до серйозних травм.
- b) **Вдягайте особисте захисне спорядження та обов'язково вдягайте захисні окуляри.** Вдягання особистого захисного спорядження, як напр., - в залежності від виду робіт - захисної маски, спецвзуття, що не ковзається, каски або навушників, зменшує ризик травм.
- c) **Уникайте ненавмисного вмикання.** Перш ніж вмикати електроприлад в електромережу або встролювати акумуляторну батарею, брати його в руки або переносити, впевніться в тому, що електроприлад вимкнений. Тримання пальця на вимикачі під час перенесення електроприладу або встролювання в розетку увімкненого приладу може призводити до травм.
- d) **Перед тим, як вмикати прилад, приборіть налагоджувальні інструменти та гайковий ключ.** Знаходження налагоджувального інструмента або ключа в деталі, що обертається, може призводити до травм.
- e) **Не переоцінюйте себе. Зберігайте стійке положення та завжди зберігайте рівновагу.** Це дозволить Вам краще зберігати контроль над приладом у несподіваних ситуаціях.
- f) **Вдягайте придатний одяг. Не вдягайте просторий одяг та прикраси. Не підставляйте волосся й одяг до деталей, що рухаються.** Просторий одяга, прикраси та довге волосся можуть попадати в деталі, що рухаються.
- g) **Якщо існує можливість монтувати пиловідсмоктувальні або пилоуловлювальні пристрої, переконайтеся, щоб вони були добре під'єднані та правильно використовувалися.** Використання пиловідсмоктувального пристрою може зменшити небезпеки, зумовлені пилом.
- h) **Добре знання електроінструментів, отримане в результаті частого їх використання, не повинно призводити до самовпевненості й ігнорування принципів техніки безпеки.** Необережна дія може в одну мить призвести до важкої травми.
- 4) ПРАВИЛЬНЕ ПОВОДЖЕННЯ ТА КОРИСТУВАННЯ ЕЛЕКТРОПРИЛАДАМИ**
- a) **Не перевантажуйте прилад.** Використовуйте такий прилад, що спеціально призначений для певної роботи. З придатним приладом Ви з меншим ризиком отримаєте кращі результати роботи, якщо будете працювати в зазначеному діапазоні потужності.
- b) **Не користуйтеся приладом з пошкодженим вимикачем.** Прилад, який не можна увімкнути або вимкнути, є небезпечним і його треба відремонтувати.
- c) **Перед тим, як регулювати що-небудь на приладі, міняти приладдя або ховати прилад, витягніть штепель із розетки та/або витягніть акумуляторну батарею, якщо вона знімається.** Ці попереджувальні заходи з техніки безпеки зменшують ризик ненавмисного запуску приладу.
- d) **Зберігайте електроприлади, якими Ви саме не користуєтесь, далеко від дітей.** Не дозволяйте користуватися електроприладом особам, що не знайомі з його роботою або не читали ці вказівки. У разі застосування недосвідченими особами прилади існують в собі небезпеку.
- e) **Старанно доглядайте за електроінструментами і приладдям.** Перевірте, щоб рухомі деталі приладу бездоганно працювали та не заїдали, не були поламаними або настільки пошкодженими, щоб це могло вплинути на функціонування приладу. Пошкоджені деталі треба відремонтувати в авторизованій майстерні, перш ніж ними можна знову користуватися. Велика кількість нещасних випадків спричиняється поганим доглядом за електроприладами.
- f) **Тримайте різальні інструменти добре нагостреними та в чистоті.** Старанно доглянуті різальні інструменти з гострим різальним краєм менше застряють та їх легше вести.
- g) **Використовуйте електроприлади, приладдя до них, робочі інструменти т.і. відповідно до цих вказівок.** Беріть до уваги при цьому умови роботи та специфіку виконуваної роботи. Використання електроприладів для робіт, для яких вони не передбачені, може призводити до небезпечних ситуацій.
- h) **Тримайте рукоятки і поверхні захвату сухими і чистими, слідкуйте, щоб на них не було оливи або густого мастила.** Слизькі рукоятки і поверхні захвату унеможливають безпечне поводження з електроінструментом та його контролювання в неочікуваних ситуаціях.

## 5) ПРАВИЛЬНЕ ПОВОДЖЕННЯ ТА КОРИСТУВАННЯ ЕЛЕКТРОПРИЛАДАМИ, ЩО ПРАЦЮЮТЬ НА АКУМУЛЯТОРНИХ БАТАРЕЯХ

- a) **Заряджуйте акумуляторні батареї лише в заряджувальних пристроях, рекомендованих виготовлювачем.** Використання заряджувального пристрою для акумуляторних батарей, для яких він не передбачений, може призводити до пожежі.
  - b) **Використовуйте в електроприладах лише рекомендовані акумуляторні батареї.** Використання інших акумуляторних батарей може призводити до травм та пожежі.
  - c) **Не зберігайте акумуляторну батарею, якою Ви саме не користуєтесь, поряд із канцелярськими скріпками, ключами, гвіздками, гвинтами та іншими невеликими металевими предметами, які можуть спричинити перемикання контактів.** Коротке замикання між контактами акумуляторної батареї може спричинити опіки або пожежу.
  - d) **При неправильному використанні з акумуляторної батареї може потіти рідина. Уникайте контакту з нею. При випадковому контакті промийте відповідне місце водою. Якщо рідина потрапила в очі, додатково зверніться до лікаря.** Акумуляторна рідина може спричинити подразнення шкіри або опік.
  - e) **Не використовуйте пошкоджені або модифіковані акумуляторні або електроінструменти.** Пошкоджені або модифіковані акумулятори поведуться неочікувано, що може призвести до пожежі, вибуху або ризику травми.
  - f) **Не піддавайте акумулятор або електроінструмент дії вогню або високих температур.** Вогонь або температури вищі за 130°C можуть призвести до вибуху.
  - g) **Виконуйте всі вказівки із заряджання і не заряджайте акумулятор або електроінструмент за температур, що виходять за вказані в інструкції межі.** Неправильне заряджання або заряджання за температур, що виходять за вказані межі, може пошкодити батарею і підвищити ризик займання.
- 6) СЕРВІС**
- a) **Віддавайте свій прилад на ремонт лише кваліфікованим фахівцям та лише з використанням оригінальних запчастин.** Це забезпечить безпечність приладу на довгий час.
  - b) **Ніколи не обслуговуйте пошкоджені акумулятори.** Обслуговувати акумулятори дозволяється лише виробнику або авторизованим сервісним організаціям.

## ВКАЗІВКИ ПО БЕЗПЕЦІ ДЛЯ БЕЗДРОТОВІ ШАБЕЛЬНІ ПИЛКИ

- Під час роботи, коли робочий інструмент може зачепити заховану електропроводку, тримайте електроінструмент за ізольовані рукоятки (зачеплення проводки, що знаходиться під напругою, може заряджувати також і металеві частини електроінструмента та призводити до удару електричним струмом)
- Застосовуйте затискачі або інші засоби фіксації та опори виробу на стабільній платформі

(затискання виробу руками або з притисканням до тіла робить його нестабільним та може призвести до втрати контролю за інструментом)

## АНКСЕСУАРИ

- SKIL гарантує надійну роботу інструмента тільки при використанні відповідного приладдя
- Використовуйте лише приладдя, припустима швидкість обертання якого як мінімум відповідає найвищій швидкості інструмента без навантаження

## ПЕРЕД ВИКОРИСТАННЯМ

- Не допускайте пошкоджень, які можуть нанести шурупи, цвяхи і інші елементи вашому виробу; видаліть їх перед початком роботи
- **Використовуйте придатні пошукові прилади для знаходження захованих в будівлі труб та кабелів або зверніться за допомогою в місцеве підприємство електро-, газо- та водопостачання** (зачеплення електропроводки може призводити до пожежі та удару електричним струмом; зачеплення газової труби може призводити до вибуху; зачеплення водопровідної труби може завдати шкоду матеріальним цінностям або призводити до удару електричним струмом)

## БЕЗПЕКА ЛЮДЕЙ

- Цей інструмент не можна використовувати особам віком до 16 років
- **Не обробляйте матеріали, що містять асбест** (асбест вважається канцерогенним)
- Пил від таких матеріалів, як свинцювотримуюча фарба, деякі породи дерева, мінерали й метал, може бути шкідливим (контакт із таким пилом або його вдихання може стати причиною виникнення в оператора або осіб, що перебувають поруч, алергічних реакцій і/або респіраторних захворювань); **надягайте респіратор і працюйте з пиловиділяючим пристроєм під час увімкнення інструмента**
- Деякі види пилу класифікуються як канцерогенні (наприклад, дубовий або буковий пил), особливо в сполученні з добавками для кондиціонування деревини; **надягайте респіратор і працюйте з пиловиділяючим пристроєм під час увімкнення інструмента**
- Слідуйте інструкціям по роботі з матеріалами, продуцуючими пил
- **Не підносьте рун до зони різання та леза пилки; тримати другу руку на шийці F ②** (якщо тримати пилу обома руками, їх неможливо порізати лезом)
- **Не просовуйте руки під виріб, що розпилюється** (відстань від леза до руки неможливо побачити)
- **Ніколи не тримайте виріб, що розпилюється, в руках або на колінах** (важливо правильно розташувати виріб, щоб звести до мінімуму можливість контакту пили з частинами тіла, заїдання леза пили або втрати контролю)
- **Не використовуйте путі або ушкоджені леза** (зігнуті леза легко ламаються або спричиняють відскакування)
- **Одягайте захисні рукавиці перед зніманням леза пилки** (воно може бути гарячим після довгої роботи)
- Одягайте захисні окуляри та засоби захисту волосся

## АНКУМУЛЯТОР

- **Акумулятор, який постачається в комплекті, є частково зарядженим** (повністю зарядіть акумулятор в зарядному пристрої перед першим використанням свого електроінструменту, щоб забезпечити повну потужність акумулятора)

- Використовуйте з інструментом тільки такі акумулятори і зарядні пристрої
  - Акумулятор SKIL: BR1\*31\*\*\*\*
  - Зарядний пристрій SKIL: CR1\*31\*\*\*\*
- Не використовуйте пошкоджений акумулятор; його треба замінити
- Не розбирайте акумулятор
- Виключіть можливість потрапляння дощу на інструмент або акумулятор
- Дозволена температура довкілля (інструмент/зарядний пристрій/акумулятор):
  - під час зарядження 4...40°C
  - під час роботи -20...+50°C
  - під час зберігання -20...+50°C

## ПОЯСНЕННЯ ДО УМОВНИХ ПОЗНАЧЕНЬ НА ІНСТРУМЕНТІ/АКУМУЛЯТОРІ

- ③ Перед використанням прочитайте інструкцію із застосування
- ④ При влученні у вогонь батареї вибухають, тому в жодному разі не спалюйте батареї
- ⑤ Зберігайте інструмент/зарядний пристрій/акумулятор при температурі не більшій 50°C
- ⑥ Не викидайте електроінструмент та батареї разом зі звичайним сміттям

## ВИКОРИСТАННЯ

- Зарядження акумулятора
  - ! ознайомтеся з попередженнями і вказівками з техніки безпеки, які надаються з зарядним пристроєм
- Видалення/встановлення батареї ②
- Індикатор рівня заряду батареї ⑦
  - натисніть кнопку індикатора рівня заряду акумулятора L, щоб дізнатися поточний рівень заряду ⑦a
  - ! якщо після натискання кнопки L ⑦b починає блимати індикатор найнижчого рівня заряду батареї, то батарея розряджена
  - ! якщо 2 увесь індикатор рівня заряду батареї після натискання кнопки L ⑦c починає блимати, батарея не знаходиться в допустимому діапазоні робочих температур
- Світлодіодний індикатор ⑧
  - LED-індикатор автоматично загоряється при активації перемикача вкл / вил
  - ! коли світлодіод починає блимати, активується захист акумулятора (див. нижче)
- Захист акумулятора
  - Інструмент раптово вимикається або не вмикається, якщо
    - навантаження занадто високе -- > приберіть навантаження і перезапустіть
    - температура батареї не знаходиться в допустимому діапазоні робочих температур від -20 до +50°C -- > 2 усі індикатори рівня батареї починають блимати при натисканні кнопки L ⑦c; зачекайте, поки батарея не повернеться в допустимий діапазон робочих температур
    - батарею майже розряджено (для захисту від глибокого розряду) --> низький рівень заряду батареї або блимання низького рівня заряду батареї ⑦b показано індикатором рівня заряду батареї при натисканні кнопки L; зарядіть батарею
  - ! не продовжуйте роботу та не натискайте

вмикач після автоматичного вимкнення інструмента; такими діями можна пошкодити батарею

- Комбінований перемикач для вмикання/вимкнення та керування обертами зі стопорною ручкою ⑨ ⑩
  - по-перше розблокуйте за допомогою натискання ручки А
  - інструмент вмикається натисканням гачка В
  - плавно керує обертами від нуля до максимальних в залежності від сили натискання на перемикач
  - вимкніть інструмент, відпустивши тригер В
- Стопорну ручку А можна активувати ⑨
  - після активації вмикач живлення блокується і верстат стає захищеним від непередбачуваного увімкнення
- Підготовка леза пилки ⑪
  - ! виймайте акумулятор з інструмента перед виконанням будь-яких регулювань або замінювання частин та приладдя
  - поверніть затискач леза пилки С на інструменті в напрямку стрілки D і утримуйте його в цьому положенні
  - вставте лезо (зубцями донизу або догори) на максимальну глибину
  - звільніть затискач леза пилки С
  - похитайте лезо пилки вперед-назад для перевірки правильності фіксації
- Зняття леза пилки ⑪
  - ! виймайте акумулятор з інструмента перед виконанням будь-яких регулювань або замінювання частин та приладдя
  - поверніть затискач леза пилки С на інструменті в напрямку стрілки D і утримуйте його в цьому положенні
  - витягніть лезо
  - звільніть затискач леза пилки С
- Епіциклічна дія для швидкого різання ⑫
  - для вмикання епіциклічної дії леза пили, використовуйте перемикач N як показано на малюнку
  - ! не вмикайте епіциклічну дію для різання металу
- Використання інструменту
  - ! надійно зафіксуйте виріб
  - позначте лінію розпилювання на виробі
  - встановіть батарею на прилад
  - утримуйте інструмент одною рукою за руків'я Е , а іншою за ізольовану шийку F
  - увімкніть інструмент
  - спрямовуйте інструмент за позначеною лінією розпилювання
  - тримайте поковзень G міцно притисненим до виробу для зменшення сил протидії та вібрацій
- Утримування і робота інструментом
  - ! під час роботи, завжди тримайте інструмент за частини захвату сірого кольору ⑬
  - тримайте вентиляційні отвори H незакритими
  - не тисніть на інструмент; дайте інструменту можливість працювати за вас
  - ! перенайтеся, що лезо пилки виходить з виробу протягом усього ходу ⑭
- Регулювання ефективної глибини розпили ⑮
  - ! виймайте акумулятор з інструмента перед виконанням будь-яких регулювань або

### замінювання частин та приладдя

- за допомогою шестигранного ключа К послаблюються і закріплюються обидва затискні болти J
- зруште поковзень G уперед/назад з метою збільшення/зменшення ефективної глибини розпилу

## ПОРАДИ ПО ВИКОРИСТАННЮ

- Врізне пиляння ⑯  
Врізне пиляння може виконуватися у деревину та інші м'які матеріали без попереднього свердлування отвору
- застосуйте товсті леза пилки
- ! **виймайте акумулятор з інструмента перед виконанням будь-яких регулювань або замінювання частин та приладдя**
- встановіть лезо зубцями догори
- позначте потрібну лінію розпилювання на виробі
- нахиліть інструмент таким чином, щоб лезо пилки не торкалося виробу
- ввімкніть інструмент та обережно виконайте врізання працюючим лезом пилки до виробу
- після проходження леза крізь виріб продовжуйте пиляння за позначеною лінією розпилювання
- ! **не робіть врізання у металеві вироби**
- Використовуйте відповідні пилки ⑰
- Під час різки металів регулярно змащуйте пилку маслом
- Пропил без трісок
- наклейте декілька шарів широкої стрічки на лінію розрізу
- завжди ріжте по протилежному (тильному) боці матеріалу
- Дивіться додаткову інформацію на сайті [www.skil.com](http://www.skil.com)

## ДОГЛЯД/ОБСЛУГОВУВАННЯ

- Цей інструмент не придатний для промислового використання
- Завжди тримайте інструмент в чистоті (особливо вентиляційні отвори H ②)
- ! **виймайте акумулятор з інструмента перед очищенням**
- Якщо незважаючи на ретельну технологію виготовлення і перевірки інструмент все-таки вийде з ладу, його ремонт дозволяється виконувати лише в авторизованій сервісній майстерні для електроприладів SKIL
- надішліть **нерозібраний** інструмент разом з доказом купівлі до Вашого дилера або до найближчого центру обслуговування SKIL (адреси, а також діаграма обслуговування пристрою, подаються на сайті [www.skil.com](http://www.skil.com))
- Візьміть до відома, що ушкодження внаслідок перевантаження або неналежного поводження з інструментом не будуть включені в гарантію (умови гарантії SKIL див. на сайті [www.skil.com](http://www.skil.com) або довідайтеся в дилера у Вашому регіоні)

## ОХОРОНА НАВКОЛИШНЬОЇ СЕРЕДИ

- **Не викидайте електроінструмент, батареї, принадлежности та упакування разом зі звичайним**

### СМІТТЯМ (тільки для країн ЄС)

- відповідно до європейської директиви 2012/19/ЄС щодо утилізації старих електричних та електронних приладів, в залежності з місцевим законодавством, електроінструмент, який перебуває в експлуатації повинен бути утилізований окремо, безпечним для навколишнього середовища шляхом
- малюнок ⑥ нагадає вам про це
- ! **перед тим, як позбутись акумулятора: заклейте грубою клейкою стрічкою клеми, щоб запобігти короткому замиканню**

## ШУМ / ВІБРАЦІЯ

- За вимірами відповідно до EN 62841 рівень звукового тиску цього інструменту становлює 85,0 дБ(A) та рівень потужності звуку дорівнює 96,0 дБ(A) (коефіцієнт недостоірності K = 5 дБ), а вібрація \* (трисекційна векторна сума; коефіцієнт недостоірності K = 1,5 м/с<sup>2</sup>)
- \* розпилювання дошок 9,9 м/с<sup>2</sup>
- \* розпилювання дерев'яної балки 9,5 м/с<sup>2</sup>
- Рівень вібрації було виміряно у відповідності зі стандартизованим випробуванням, що міститься в EN 62841; дана характеристика може використовуватися для порівняння одного інструмента з іншим, а також для попередньої оцінки впливу вібрації під час застосування даного інструмента для вказаних цілей
- при використанні інструмента в інших цілях або з іншими/несправними допоміжними пристосуваннями рівень впливу вібрації може значно **підвищуватися**
- у періоди, коли інструмент вимкнений або функціонує без фактичного виконання роботи, рівень впливу вібрації може значно **знижуватися**
- ! **захищайте себе від впливу вібрації, підтримуючи інструмент і його допоміжні пристосування в справному стані, підтримуючи руки в теплі, а також правильно організовуючи свій робочий процес**

GR

## Επαναφορτιζόμενη σπαθόσеча brushless

3480

## ΕΙΣΑΓΩΓΗ

- Το εργαλείο αυτό προορίζεται για κοπή ξύλου, πλαστικού, μετάλλου και κατασκευαστικών υλικών, καθώς και για το κλάδεμα δέντρων - είναι κατάλληλο για ευθεία και κυκλική κοπή
- Αυτό το εργαλείο δεν προορίζεται για επαγγελματική χρήση
- Διαβάστε και φυλάξτε αυτές τις οδηγίες χρήσεως ③

## ΤΕΧΝΙΚΑ ΧΑΡΑΚΤΗΡΙΣΤΙΚΑ ①

### ΜΕΡΗ ΤΟΥ ΕΡΓΑΛΕΙΟΥ ②

- A Κομπι ασφάλισης
- B Διακόπτης εκκίνησης/στάσης και ελέγχου ταχύτητας
- C Σφικτήρας λεπίδας
- D Βέλος

- E Χειρολαβή
- F Βαρελωτή λαβή
- G Ρυθμιζόμενο έλασμα έδρασης
- H Σχισμές αερισμού
- J Κοχλίες στερέωσης
- K Εξάγωνο κλειδί
- L Ένδειξη κατάστασης μπαταρίας
- M Λαμπτάκι LED
- N Εναλλαγή σε λειτουργία τροχιάς

## ΑΣΦΑΛΕΙΑ

### ΓΕΝΙΚΕΣ ΥΠΟΔΕΙΞΕΙΣ ΑΣΦΑΛΕΙΑΣ ΓΙΑ ΗΛΕΚΤΡΙΚΑ ΕΡΓΑΛΕΙΑ

**▣ ΠΡΟΕΙΔΟΠΟΙΗΣΗ** Διαβάστε όλες τις προειδοποιήσεις ασφαλείας καθώς και τις οδηγίες, εικόνες και προδιαγραφές που παρέχονται με αυτό το ηλεκτρικό εργαλείο. Αμέλεια τήρησης όλων των οδηγιών που παρατίθενται παρακάτω μπορεί να προκαλέσει ηλεκτροπληξία, πυρκαγιά ή/και σοβαρό τραυματισμό.

**Φυλάξτε όλες τις υποδείξεις ασφαλείας και τις οδηγίες για το μέλλον.**

Ο ορισμός “ηλεκτρικό εργαλείο” που χρησιμοποιείται στις προειδοποιητικές υποδείξεις αναφέρεται σε ηλεκτρικά εργαλεία που τροφοδοτούνται από το ηλεκτρικό δίκτυο (με ηλεκτρικό καλώδιο) καθώς και σε ηλεκτρικά εργαλεία που τροφοδοτούνται από μπαταρία (χωρίς ηλεκτρικό καλώδιο).

#### 1) ΑΣΦΑΛΕΙΑ ΣΤΟ ΧΩΡΟ ΕΡΓΑΣΙΑΣ

- a) Διατηρείτε το χώρο που εργάζεσθε καθαρό και καλά φωτισμένο. Αταξία στο χώρο που εργάζεσθε ή μη φωτισμένες περιοχές εργασίας μπορεί να οδηγήσουν σε ατυχήματα.
- b) Μην εργάζεσθε με το ηλεκτρικό εργαλείο σε περιβάλλον που υπάρχει κίνδυνος έκρηξης, στο οποίο υπάρχουν εύφλεκτα υγρά, αέρια ή σκόνη. Τα ηλεκτρικά εργαλεία μπορεί να δημιουργήσουν σπινθηρισμό ο οποίος μπορεί να αναφλέξει τη σκόνη ή τις αναθυμιάσεις.
- c) Όταν χρησιμοποιείτε το ηλεκτρικό εργαλείο κρατάτε τα παιδιά κι άλλα τυχόν πρόσωπα μακριά από το χώρο που εργάζεσθε. Σε περίπτωση που άλλα άτομα αποσπάσουν την προσοχή σας μπορεί να χάσετε τον έλεγχο του μηχανήματος.

#### 2) ΗΛΕΚΤΡΙΚΗ ΑΣΦΑΛΕΙΑ

- a) Το φως του καλωδίου του ηλεκτρικού εργαλείου πρέπει να ταιριάζει στην αντίστοιχη πρίζα. Δεν επιτρέπεται με κανένα τρόπο η μετασκευή του φως. Μη χρησιμοποιείτε προσαρμοστικά φως σε συνδυασμό με ηλεκτρικά εργαλεία συνδεδεμένα με τη γη (γειωμένα). Αθικτα φως και κατάλληλες πρίζες μειώνουν τον κίνδυνο ηλεκτροπληξίας.
- b) Αποφεύγετε την επαφή του σώματος σας με γειωμένες επιφάνειες όπως σωλήνες, θερμαντικά σώματα (καλοριφέρ), κουζίνες και ψυγεία. Όταν το σώμα σας είναι γειωμένο αυξάνεται ο κίνδυνος ηλεκτροπληξίας.
- c) Μην εκθέτετε το ηλεκτρικό εργαλείο στη βροχή ή την υγρασία. Η διείσδυση νερού στο ηλεκτρικό εργαλείο αυξάνει τον κίνδυνο ηλεκτροπληξίας.
- d) Μη χρησιμοποιείτε το καλώδιο για να μεταφέρετε

ή ν'αναρτήσετε το ηλεκτρικό εργαλείο ή για να βγάλετε το φως από την πρίζα. Κρατάτε το καλώδιο μακριά από υψηλές θερμοκρασίες, λάδια, κοφτερές ακμές ή κινούμενα εξαρτήματα. Τυχόν χαλασμένα ή μπερδεμένα καλώδια αυξάνουν τον κίνδυνο ηλεκτροπληξίας.

- e) Όταν εργάζεσθε με το ηλεκτρικό εργαλείο στο ύπαιθρο χρησιμοποιείτε πάντοτε καλώδια επιμήκυνσης (μπαλαντάξες) που έχουν εγκριθεί για χρήση σε εξωτερικούς χώρους. Η χρήση καλωδίων επιμήκυνσης εγκριμένων για εργασία σε εξωτερικούς χώρους μειώνει τον κίνδυνο ηλεκτροπληξίας.
  - f) Όταν η χρήση του ηλεκτρικού εργαλείου σε υγρό περιβάλλον είναι αναπόφευκτη, τότε χρησιμοποιήστε έναν προστατευτικό διακόπτη διαρροής. Η χρήση ενός προστατευτικού διακόπτη διαρροής ελαττώνει τον κίνδυνο ηλεκτροπληξίας.
- #### 3) ΑΣΦΑΛΕΙΑ ΠΡΟΣΩΠΩΝ
- a) Να είστε πάντοτε προσεκτικός/προσεκτική, να δίνετε προσοχή στην εργασία που κάνετε και να χειρίζεστε το ηλεκτρικό εργαλείο με περίσκεψη. Μην κάνετε χρήση του ηλεκτρικού εργαλείου όταν είστε κουρασμένος/κουρασμένη ή όταν βρίσκεσθε υπό την επήρρη ναρκωτικών, οινοπνεύματος ή φαρμάκων. Μια στιγμιαία απροσεξία κατά το χειρισμό του ηλεκτρικού εργαλείου μπορεί να οδηγήσει σε σοβαρούς τραυματισμούς.
  - b) Φοράτε προστατευτικά ενδύματα και πάντοτε προστατευτικά γυαλιά. Όταν φοράτε ενδύματα ασφαλείας, ανάλογα με το υπό χρήση ηλεκτρικό εργαλείο, όπως προσωπίδια προστασίας από σκόνη, αντιολισθηκά παπούτσια ασφαλείας, κράνη ή ωασιπίδες, μειώνεται ο κίνδυνος τραυματισμών.
  - c) Αποφεύγετε την αθέλητη εκκίνηση. Βεβαιωθείτε ότι το ηλεκτρικό εργαλείο έχει αποζευχτεί πριν συνδέσετε με το ηλεκτρικό δίκτυο ή/και με την μπαταρία καθώς και πριν το παραλάβετε ή το μεταφέρετε. Όταν μεταφέρετε το ηλεκτρικό εργαλείο έχοντας το δάχτυλό σας στο διακόπτη ή όταν συνδέσετε το μηχανήμα με την πηγή ρεύματος όταν αυτό είναι ακόμη σύνεγγυο, τότε δημιουργείται κίνδυνος τραυματισμών.
  - d) Αφαιρείτε από τα ηλεκτρικά εργαλεία πριν τα θέσετε σε λειτουργία τυχόν συναρμολογημένα χρησιμοποιήσιμα εργαλεία ή κλειδιά. Ένα εργαλείο ή κλειδί συναρμολογημένο στο περιστρεφόμενο εξάρτημα ενός ηλεκτρικού εργαλείου μπορεί να οδηγήσει σε τραυματισμούς.
  - e) Μην υπερκτιμάτε τον εαυτό σας. Φροντίζετε για την ασφαλή στήριξη του σώματος σας και διατηρείτε πάντοτε την ισορροπία σας. Αυτό σας επιτρέπει τον καλύτερο έλεγχο το ηλεκτρικού εργαλείου σε περιπτώσεις απροσδόκτων καταστάσεων.
  - f) Φοράτε κατάλληλη ενδυμασία εργασίας. Μη φοράτε φαρδιά ρούχα ή κοσμήματα. Κρατάτε τα μαλλιά και τα ρούχα σας μακριά από κινούμενα εξαρτήματα. Χαλαρή ενδυμασία, κοσμήματα και μακριά μαλλιά μπορεί να εμπλακούν στα κινούμενα εξαρτήματα.
  - g) Αν υπάρχει η δυνατότητα συναρμολόγησης διατάξεων αναρρόφησης ή συλλογής σκόνης, βεβαιωθείτε αν οι διατάξεις αυτές είναι

συνδεμένες καθώς κι αν χρησιμοποιούνται σωστά. Η χρήση μιας αναρρόφησης σκόνης μπορεί να ελαττώσει τον κίνδυνο που προκαλείται από τη σκόνη.

- h) **Μην εφισχύζετε σε μια λάθος ασφάλεια και μην αφησάτε τους κανόνες ασφαλείας για τα ηλεκτρικά εργαλεία, ακόμα και όταν μετά από συχνή χρήση είστε εξοικειωμένοι με το εργαλείο.** Ένας απρόσεκτος χειρισμός μπορεί μέσα σε κλάσματα του δευτερολέπτου να οδηγήσει σε σοβαρούς τραυματισμούς.
- 4) **ΧΡΗΣΗ ΚΙ ΕΠΙΜΕΛΗΣ ΧΕΙΡΙΣΜΟΣ ΤΩΝ ΗΛΕΚΤΡΙΚΩΝ ΕΡΓΑΛΕΙΩΝ**
- a) **Μην υπερφορτώνετε το ηλεκτρικό εργαλείο. Χρησιμοποιείτε για την εκάστοτε εργασία σας το ηλεκτρικό εργαλείο που προορίζεται γι'αυτήν.** Με το κατάλληλο ηλεκτρικό εργαλείο εργάζεσθε καλύτερα και ασφαλέστερα στην αναφερόμενη περιοχή ισχύος.
- b) **Μη χρησιμοποιείτε ποτέ ένα ηλεκτρικό εργαλείο του οποίου ο διακόπτης ON/OFF είναι χαλασμένος.** Ένα ηλεκτρικό εργαλείο το οποίο δεν μπορεί να τεθεί πλέον σε ή εκτός λειτουργίας είναι επικίνδυνο και πρέπει να επισκευαστεί.
- c) **Τραβήξτε το φιο από την πρίζα και/ή απομακρύνετε μια αποσπώμενη μπαταρία, προτού εκτελέσετε ρυθμίσεις στο ηλεκτρικό εργαλείο, προτού αλλάξετε εξαρτήματα ή φυλάξετε το ηλεκτρικό εργαλείο.** Αυτά τα προληπτικά μέτρα ασφαλείας μειώνουν τον κίνδυνο από τυχόν αθέλητη εκκίνηση του ηλεκτρικού εργαλείου.
- d) **Διαφυλάγετε τα ηλεκτρικά εργαλεία που δε χρησιμοποιείτε μακριά από παιδιά. Μην αφήνετε άτομα που δεν είναι εξοικειωμένα με το ηλεκτρικό εργαλείο ή δεν έχουν διαβάσει αυτές τις οδηγίες χρήσης να το χρησιμοποιήσουν.** Τα ηλεκτρικά εργαλεία είναι επικίνδυνα όταν χρησιμοποιούνται από άπειρα πρόσωπα.
- e) **Φροντίστε τα ηλεκτρικά εργαλεία και τα εξαρτήματα με επιμέλεια. Ελέγχετε, αν τα κινούμενα εξαρτήματα λειτουργούν άψογα, χωρίς να μπλοκάρουν, ή μήπως έχουν σπάσει ή φθαρεί τυχόν εξαρτήματα τα οποία επηρεάζουν τον τρόπο λειτουργίας του ηλεκτρικού εργαλείου. Δώστε αυτά τα χαλασμένα εξαρτήματα για επισκευή πριν τα ξαναχρησιμοποιήσετε.** Η κακή συντήρηση των ηλεκτρικών εργαλείων αποτελεί αιτία πολλών ατυχημάτων.
- f) **Διατηρείτε τα κοπτικά εργαλεία κοφτερά και καθαρά.** Τα κοπτικά εργαλεία που συντηρούνται με προσοχή μπορούν να οδηγηθούν εύκολα και να ελεγχθούν καλύτερα.
- g) **Χρησιμοποιείτε τα ηλεκτρικά εργαλεία, τα εξαρτήματα, τα χρησιμοποιήσιμα εργαλεία κτλ. σύμφωνα με τις παρούσες οδηγίες καθώς. Λαμβάνετε ταυτόχρονα υπόψη σας τις συνθήκες εργασίας και την υπό εκτέλεση εργασία. Η χρήση του ηλεκτρικού εργαλείου για άλλες εκτός από τις προβλεπόμενες εργασίες μπορεί να δημιουργήσει επικίνδυνες καταστάσεις.**
- h) **Διατηρείτε τις λαβές και επιφάνειες λαβής στεγνές, καθαρές και ελεύθερες από λάδι και γράσο.** Οι ολισθηρές λαβές και επιφάνειες λαβής δεν επιτρέπουν κανέναν ασφαλή χειρισμό και έλεγχο του ηλεκτρικού εργαλείου σε τυχόν απρόβλεπτες καταστάσεις.

## 5) ΧΡΗΣΗ ΚΙ ΕΠΙΜΕΛΗΣ ΧΕΙΡΙΣΜΟΣ ΕΡΓΑΛΕΙΩΝ ΜΠΑΤΑΡΙΑΣ

- a) **Φορτίστε μόνο με φορτιστές που προβλέπει ο κατασκευαστής.** Η φόρτιση με φορτιστές που δεν προορίζονται για τον υπό φόρτιση τύπο του μπλοκ μπαταρίας δημιουργεί κίνδυνο πυρκαγιάς.
- b) **Χρησιμοποιείτε τα ηλεκτρικά εργαλεία πάντοτε με τα προβλεπόμενα για αυτά μπλοκ μπαταρίας.** Η χρήση διαφορετικών μπλοκ μπαταρίας μπορεί να οδηγήσει σε τραυματισμούς ή πυρκαγιά.
- c) **Διαφυλάγετε τις μπαταρίες που δε χρησιμοποιείτε μακριά από μεταλλικά αντικείμενα, π.χ. από συνδετήρες χαρτιών, νομίσματα, κλειδιά, καρφιά, βίδες κι άλλα παρόμοια μικροαντικείμενα, τα οποία θα μπορούσαν να επιγεφυρώσουν τη διάφορες μεμονωμένες επαφές.** Μια επιγεφυρώση από μεταλλικά αντικείμενα μπορεί να προκαλέσει βραχυκύκλωμα, σπινθηρισμό ή πυρκαγιά.
- d) **Υπό δυσμενείς συνθήκες λειτουργίας μπορεί να διαρρεύσουν υγρά από την μπαταρία. Αποφεύγετε κάθε επαφή με μια μη στεγανή μπαταρία. Σε περίπτωση ακούσιας επαφής με τα υγρά, ξεπλύντε αμψως με νερό την αντίστοιχη θύση επαφής. Εκτός από αυτό, αν τα υγρά διαεισδύσουν στα μάτια σας, επισκεφτείτε χωρίς καθυστέρηση πνα γιατρό.** Τα διαρρηκτικά υγρά των μπαταριών μπορεί να προκαλέσουν ερεθισμούς ή και εγκαύματα.
- e) **Μη χρησιμοποιείτε καμία χαλασμένη ή τροποποιημένη μπαταρία ή ηλεκτρικό εργαλείο.** Οι χαλασμένες ή τροποποιημένες μπαταρίες μπορεί να παρουσιάσουν μια απρόβλεπτη συμπεριφορά και να οδηγήσουν σε φωτιά, έκρηξη ή σε κίνδυνο τραυματισμού.
- f) **Μην εκθέτετε μια μπαταρία ή ένα ηλεκτρικό εργαλείο σε φωτιά ή σε πολύ υψηλές θερμοκρασίες.** Η φωτιά ή οι θερμοκρασίες πάνω από 130°C μπορεί να προκαλέσουν μια έκρηξη.
- g) **Τηρείτε όλες τις υποδείξεις για τη φόρτιση και μη φορτίζετε την μπαταρία ή το εργαλείο μπαταρίας ποτέ εκτός της περιοχής θερμοκρασίας που αναφέρεται στις οδηγίες λειτουργίας.** Η λάθος φόρτιση ή η φόρτιση εκτός της επιτρεπτής περιοχής θερμοκρασίας μπορεί να καταστρέψει την μπαταρία και να αυξήσει τον κίνδυνο πυρκαγιάς.
- 6) **ΣΕΡΒΙΣ**
- a) **Δίνετε το ηλεκτρικό σας εργαλείο για επισκευή από άριστα ειδικευμένο προσωπικό, μόνο με γνήσια ανταλλακτικά.** Ετσι εξασφαλίζετε η διατήρηση της ασφαλείας του ηλεκτρικού εργαλείου.
- b) **Μη συντηρείτε ποτέ χαλασμένες μπαταρίες.** Κάθε συντήρηση των μπαταριών πρέπει να πραγματοποιείται μόνο από τον κατασκευαστή ή από εξουσιοδοτημένα συνεργεία σέρβις πελατών.

## ΥΠΟΔΕΙΞΙΣ ΑΣΦΑΛΕΙΑΣ ΓΙΑ ΕΠΑΝΑΦΟΡΤΙΖΟΜΕΝΕΣ ΣΠΑΘΟΣΕΓΕΣ

- **Κρατήστε το ηλεκτρικό εργαλείο από τις μονωμένες επιφάνειες συγκράτησης, κατά την εκτέλεση εργασίας όπου το εξάρτημα κοπής μπορεί να έρθει σε επαφή με κρυμμένα καλώδια (η επαφή του εξαρτήματος κοπής με ηλεκτροφόρο καλώδιο ενδέχεται να κάνει ηλεκτροφόρα τα προσβάσιμα μεταλλικά μέρη και να προκληθεί ηλεκτροπληξία στον χειριστή)**

- **Χρησιμοποιήστε σφιγκτήρες ή άλλο πρακτικό μέσο για να στερεώσετε και να υποστηρίξετε το κομμάτι εργασίας σε ευσταθή πλατφόρμα** (αν κρατάτε το κομμάτι εργασίας με το χέρι ή πάνω στο σώμα σας, αυτό δεν σταθεροποιείται και υπάρχει κίνδυνος απόβλειας του ελέγχου)

#### ΕΞΑΡΤΗΜΑΤΑ

- Η SKIL εγγυάται την τέλεια λειτουργία του εργαλείου μόνο όταν χρησιμοποιούνται αυθεντικά εξαρτήματα
- Χρησιμοποιείτε μόνο εξαρτήματα των οποίων ο ύψιστος επιτρεπτός αριθμός στροφών είναι τουλάχιστον τόσο υψηλός, όσο ο ύψιστος αριθμός στροφών χωρίς φορτίο του εργαλείου

#### ΠΡΙΝ ΑΠΟ ΤΗ ΧΡΗΣΗ

- Προφυλάξτε το εργαλείο από τυχόν φθορές από ξένα σώματα (βίδες, καρφιά ή άλλα) που ίσως είναι μέσα στο κομμάτι που θα δουλέψετε - αφαιρέστε τα πριν αρχίσετε την εργασία
- **Χρησιμοποιήστε κατάλληλες ανιχνευτικές συσκευές για να εντοπίσετε τυχόν αφανείς τροφοδοτικές γραμμές ή συμβουλευτείτε σχετικά τις επιχειρήσεις παροχής ενέργειας** (επαφή με ηλεκτρικές γραμμές μπορεί να οδηγήσει σε πυρκαϊά ή σε ηλεκτροπληξία - βλάβες σε αγωγούς φωταερίου (γκαζιού) μπορεί να οδηγήσουν σε έκρηξη - η διείσδυση σ' ένα σωλήνα νερού προκαλεί υλικές ζημιές ή μπορεί να προκαλέσει ηλεκτροπληξία)

#### ΑΣΦΑΛΕΙΑ ΠΡΟΣΩΠΩΝ

- Αυτό το εργαλείο δεν πρέπει να χρησιμοποιείται από άτομα κάτω των 16 ετών
- **Μην κατεργάζεστε υλικά που περιέχουν αμιάντο** (το αμιάντο θεωρείται σαν καρκινογόνο υλικό)
- Η σκόνη από υλικά όπως μογιόγεις που περιέχουν μόλυβδο, ορισμένα είδη ξύλου, ανόργανα στοιχεία και μέταλλα μπορεί να είναι επιβλαβής (η επαφή ή η εισπνοή της σκόνης μπορεί να προκαλέσει αλλεργικές αντιδράσεις ή/και αναπνευστικές ασθένειες στον χειριστή ή σε άτομα που παρίστανται) - **να φοράτε προσωπίδα προστασίας από τη σκόνη και να εργάζεστε με συσκευή αφαίρεσης σκόνης όταν είναι δυνατό**
- Ορισμένα είδη σκόνης ταξινομούνται ως καρκινογόνα (όπως η σκόνη από τη δρυ ή την οξιά) ιδιαίτερα σε συνδυασμό με πρόσθετα συντήρησης ξύλου - **να φοράτε προσωπίδα προστασίας από τη σκόνη και να εργάζεστε με συσκευή αφαίρεσης σκόνης όταν είναι δυνατό**
- Ακολουθήστε τις σχετικές με σκόνη εθνικές διατάξεις για τα υλικά που θέλετε να εργαστείτε
- **Κρατήστε τα χέρια σας μακριά από την περιοχή κοπής και τη λεπίδα - κρατήστε με το δεύτερο χέρι σας τη βαρελωτή λαβή F ②** (όταν και τα δυο σας χέρια κρατάνε το πριόνι, δεν υπάρχει κίνδυνος να τα κόψετε με τον δίσκο)
- **Μην βάζετε τα χέρια σας κάτω από το κομμάτι εργασίας** (η απόσταση της λεπίδας από το χέρι σας δεν είναι ορατή)
- **Ποτέ μην κρατάτε το κομμάτι εργασίας στα χέρια σας ή επάνω στο πόδι σας για να το κόψετε** (είναι σημαντικό το κομμάτι εργασίας να στηρίζεται καλά, για τη μείωση στο ελάχιστο της έκθεσης του σώματος ή του ενδεχομένου σφηνώματος του δίσκου ή απώλειας του ελέγχου)
- **Μη χρησιμοποιείτε στομωμένους ή φθαρμένους δίσκους** (οι λυγισμένες λεπίδες μπορεί να σπάσουν εύκολα ή να προκαλέσουν ανάκρουση)
- **Να χρησιμοποιείτε προστατευτικά γάντια**

**όταν αφαιρείτε τη λεπίδα από το εργαλείο** (η πριονολεπίδα μπορεί να είναι ζεστή ύστερα από παρατεταμένη χρήση)

- Να φοράτε προστατευτικά γυαλιά και προστατευτικά μέσα ακοής

#### ΜΠΑΤΑΡΙΕΣ

- **Η παρεχόμενη μπαταρία είναι μερικώς φορτισμένη** (για να εξασφαλιστεί ότι η μπαταρία αποκτά τη μέγιστη χαμηλότερη, να φορτίζετε τελείως τη μπαταρία με τον φορτιστή της πριν από τη χρήση του ηλεκτρικού εργαλείου σας για πρώτη φορά)
- **Να χρησιμοποιείτε μόνο τις μπαταρίες και τους φορτιστές που παραδίδονται με το εργαλείο**
  - Μπαταρία SKIL: BR1\*31\*\*\*\*
  - Φορτιστής SKIL: CR1\*31\*\*\*\*
- Μην χρησιμοποιείτε την μπαταρία όταν έχει βλάβη; πρέπει να την αντικαθιστάτε
- Μην συναρμολογείτε τη μπαταρία
- Μην εκθέτετε το εργαλείο/την μπαταρία στη βροχή
- Επιτρεπτή θερμοκρασία περιβάλλοντος (εργαλείο/φορτιστή/μπαταρία):
  - κατά τη φόρτιση 4...40°C
  - κατά τη λειτουργία -20...+50°C
  - κατά την αποθήκευση -20...+50°C

#### ΕΠΕΞΗΓΗΣΗ ΤΩΝ ΣΥΜΒΟΛΩΝ ΣΤΟ ΕΡΓΑΛΕΙΟ/ΜΠΑΤΑΡΙΑ

- ③ Διαβάστε το εγχειρίδιο οδηγιών πριν από τη χρήση
- ④ Οι μπαταρίες θα εκραγούν εάν γίνει απόρριψή τους σε φωτιά, γι' αυτό μην καίτε τις μπαταρίες για οποιοδήποτε λόγο
- ⑤ Να αποθηκεύετε το εργαλείο/τον φορτιστή/την μπαταρία σε μέρη όπου η θερμοκρασία δεν θα ξεπεράσει τους 50°C
- ⑥ Μην πετάτε τα ηλεκτρικά εργαλεία και μπαταρίες στον κάδο οικιακών απορριμμάτων

#### ΧΡΗΣΗ

- Φόρτιση της μπαταρίας  
**! διαβάστε τις προειδοποιήσεις ασφαλείας και τις οδηγίες που παρέχονται με το φορτιστή**
- Αφαίρεση/εγκατάσταση της μπαταρίας ②
- Ένδειξη κατάστασης μπαταρίας ⑦
  - πιέστε το κουμπί του ενδεικτικού κατάστασης μπαταρίας L για να εμφανίσετε την τρέχουσα κατάσταση της μπαταρίας ⑦a
  - ! όταν το ενδεικτικό κατώτατης στάθμης της μπαταρίας αρχίσει να αναβοσβήνουν μετά από το πάτημα του πλήκτρου L ⑦b, η μπαταρία έχει αδειάσει**
  - ! όταν τα επίπεδα 2 του ενδεικτικού της μπαταρίας αρχίσουν να αναβοσβήνουν μετά από το πάτημα του πλήκτρου L ⑦c, η μπαταρία δεν είναι εντός του επιτρεπόμενου εύρους θερμοκρασιών λειτουργίας**
- Λαμπάκι LED ⑧
  - Το λαμπάκι LED ανάβει αυτόματα κατά την ενεργοποίηση του διακόπτη on/off
  - ! όταν το λαμπάκι LED αρχίζει να αναβοσβήνει, ενεργοποιείται η προστασία της μπαταρίας (βλ. παρακάτω)**
  - Προστασία της μπαταρίας  
Το εργαλείο σβήνει αιφνίδια ή δεν είναι δυνατό το άναμμα του όταν
  - **το φορτίο είναι πολύ υψηλό** --> αφαιρέστε το φορτίο και επανεκκινήστε



- **η θερμοκρασία της μπαταρίας δεν βρίσκεται εντός του επιτρεπόμενου εύρους θερμοκρασίας λειτουργίας, δηλαδή -20 έως +50°C** --> Τα επίπεδα 2 του ενδεικτικού της στάθμης της μπαταρίας αρχίζουν να αναβοσβήνουν κατά το πάτημα του πλήκτρου L (7)c. Περιμένετε μέχρι η μπαταρία να επανέλθει εντός του επιτρεπόμενου εύρους θερμοκρασίας λειτουργίας
- **η μπαταρία έχει σχεδόν αδειάσει (για προστασία έναντι βαθείας εκφόρτισης)** --> ανάβει ή αναβοσβήνει η χαμηλή στάθμη μπαταρίας (7)b δίπλα στο ενδεικτικό στάθμης μπαταρίας κατά το πάτημα του πλήκτρου L. Φορτίστε τη μπαταρία
- ! **μην συνεχίσετε να πατάτε το διακόπτη ενεργοποίησης/απενεργοποίησης μετά την αυτόματη απενεργοποίηση του εργαλείου - μπορεί να προκληθεί βλάβη στη μπαταρία**
- Συνδασμασμένος διακόπτης για ξεκίνηση/σταμάτημα και έλεγχο ταχύτητας με διακόπτη στερέωσης (9) (10)
  - Πιέστε κατ' αρχήν το διακόπτη A
  - ξεκινάτε το εργαλείο σας τραβώντας την σκανδάλη B
  - ρυθμίστε την ταχύτητα από τον μηδέν στο μέγιστο, πιέζοντας περισσότερο ή λιγότερο τη σκανδάλη
  - απενεργοποιήστε αφήνοντας το διακόπτη με σκανδάλη B
- Το κουμπί ασφάλισης A μπορεί να ενεργοποιηθεί (9)
  - εάν ενεργοποιηθεί, ο διακόπτης ενεργοποίησης / απενεργοποίησης είναι μπλοκαρισμένος και το μηχάνημα έχει ασφαλίσει έναντι ακούσιας ενεργοποίησης
- Τοποθέτηση της πριονολεπίδας (11)
  - ! **βγάλτε την μπαταρία από το εργαλείο προτού κάνετε οποιαδήποτε ρύθμιση ή αλλάξετε κάποιο εξάρτημα**
  - γυρίστε το σφικτήρα λεπίδας C προς την κατεύθυνση του βέλους D επάνω στο εργαλείο και κρατήστε τον σε αυτή τη θέση
  - τοποθετήστε τη λεπίδα (με τα δόντια στραμμένα προς τα κάτω ή προς τα πάνω) μέχρι τέρμα
  - απελευθερώστε το σφικτήρα λεπίδας C
  - σπρώξτε τη λεπίδα προς τα μέσα και τραβήξτε την προς τα έξω για να ελέγξετε αν ασφαλίσει σωστά
- Αφαίρεση της πριονολεπίδας (11)
  - ! **βγάλτε την μπαταρία από το εργαλείο προτού κάνετε οποιαδήποτε ρύθμιση ή αλλάξετε κάποιο εξάρτημα**
  - γυρίστε το σφικτήρα λεπίδας C προς την κατεύθυνση του βέλους D επάνω στο εργαλείο και κρατήστε τον σε αυτή τη θέση
  - τραβήξτε τη λεπίδα προς τα έξω
  - απελευθερώστε το σφικτήρα λεπίδας C
- Λειτουργία τροχιάς για γρήγορη κοπή (12)
  - για να ενεργοποιήσετε τη λειτουργία τροχιάς της λάμας πριονιού, χρησιμοποιήστε το διακόπτη N σύμφωνα με την εικόνα
  - ! **μην ενεργοποιείτε τη λειτουργία τροχιάς όταν κόβετε μέταλλα**
- Χειρισμός του εργαλείου
  - ! **ασφαλίστε στέρεα το τεμάχιο εργασίας**
  - χαράξτε τη γραμμή κοπής πάνω στο τεμάχιο εργασίας
  - τοποθετήστε τη μπαταρία στο εργαλείο
  - κρατήστε το εργαλείο με το ένα χέρι στη λαβή E και το άλλο χέρι στη μονωμένη βαρελωτή λαβή F
  - ενεργοποιήστε το εργαλείο

- οδηγήστε το εργαλείο κατά μήκος της γραμμής κοπής που έχετε χαράξει
- στηρίξτε σταθερά την πλάκα έδρασης G πάνω στο τεμάχιο εργασίας, για να ελαχιστοποιηθεί η αντίδραση και ο κραδασμός
- Πώς να κρατάτε και να οδηγείτε το εργαλείο
  - ! **ενώ εργάζεστε, να κρατάτε πάντα το εργαλείο από τη/τις λαβή/ές με γκρι χρώμα (13)**
  - κρατάτε τις σχισμές αερισμού H ακάλυπτες
  - μην ασκείτε υπέρμετρη πίεση στο εργαλείο - αφήστε το εργαλείο να δουλέψει για σας
  - ! **βεβαιωθείτε ότι η πριονολεπίδα προεξέχει από το τεμάχιο για όλη τη διαδρομή της (14)**
- Ρύθμιση αποτελεσματικών βάθους κοπής (15)
  - ! **βγάλτε την μπαταρία από το εργαλείο προτού κάνετε οποιαδήποτε ρύθμιση ή αλλάξετε κάποιο εξάρτημα**
  - χρησιμοποιήστε το εξάγωνο κλειδί K για να λασκάρτε και να σφίξετε και τους δύο κοχλίες στερέωσης J
  - σύρετε την πλάκα στερέωσης G προς τα εμπρός/πίσω για να αυξήσετε ή να ελαττώσετε το ωφέλιμο βάθος κοπής

## ΟΔΗΓΙΕΣ ΕΦΑΡΜΟΓΗΣ


- Εσωτερική κοπή (16)
  - Κοπή βύθισης μπορεί να γίνει σε ξύλο ή άλλα μαλακά υλικά χωρίς την προ-διάνοιξη οπής
  - χρησιμοποιήστε χοντρή πριονολεπίδα
  - ! **βγάλτε την μπαταρία από το εργαλείο προτού κάνετε οποιαδήποτε ρύθμιση ή αλλάξετε κάποιο εξάρτημα**
  - τοποθετήστε τη λεπίδα με τα δόντια στραμμένα προς τα πάνω
  - χαράξτε τη γραμμή κοπής που επιθυμείτε πάνω στο τεμάχιο εργασίας
  - προσδώστε κλίση στο εργαλείο κατά τέτοιο τρόπο, ώστε η λεπίδα να μην αγγίζει το τεμάχιο εργασίας
  - ενεργοποιήστε το εργαλείο και βυθίστε προσεκτικά την κινούμενη πριονολεπίδα στο τεμάχιο εργασίας
  - αφότου η λεπίδα διαπεράσει το τεμάχιο εργασίας, συνεχίστε το πρόνιοσμα κατά μήκος της γραμμής κοπής που έχετε χαράξει
  - ! **μην επιχειρείτε κοπή βύθισης σε μέταλλα (17)**
- Χρησιμοποιείτε τις κατάλληλες πριονολεπίδες (17)
- Όταν κόβετε μέταλλα, λιπαίνετε τακτικά την πριονολεπίδα με λάδι
- Κοπή χωρίς ακίδες
  - καλύψτε τη γραμμή κοπής με περισσότερα στρώματα φαρδιάς κολλητικής ταινίας πριν κάνετε την κοπή
  - κρατάτε πάντοτε την καλή πλευρά του καταργαζόμενου αντικειμένου προς τα κάτω
- Για περισσότερες πληροφορίες επισκεφθείτε τη σελίδα [www.skil.com](http://www.skil.com)

## ΣΥΝΤΗΡΗΣΗ / ΣΕΡΒΙΣ

- Αυτό το εργαλείο δεν προορίζεται για επαγγελματική χρήση
- Πάντα να διατηρείτε το εργαλείο καθαρό (ειδικά τις οπές εξαερισμού H (2))
- ! **αφαιρέστε την μπαταρία από το εργαλείο πριν από τον καθαρισμό**

- Αν παρ' όλες τις επιμελημένες μεθόδους κατασκευής κι ελέγχου το εργαλείο σταματήσει κάποτε να λειτουργεί, τότε η επισκευή του πρέπει να ανατεθεί σ' ένα εξουσιοδοτημένο συνεργείο για ηλεκτρικά εργαλεία της SKIL
- στείλτε το εργαλείο **χωρίς να το αποσυρμολογήσετε** μαζί με την απόδειξη αγοράς στο κατάστημα από το οποίο το αγοράσατε ή στον πλησιέστερο σταθμό τεχνικής εξυπηρέτησης της SKIL (θα βρείτε τις διευθύνσεις και το διάγραμμα συντήρησης του εργαλείου στην ιστοσελίδα [www.skil.com](http://www.skil.com))
- Να γνωρίζετε ότι βλάβες που προκαλούνται λόγω υπερφόρτωσης ή ακατάλληλου χειρισμού του εργαλείου, δεν καλύπτονται από την εγγύηση (για τους όρους της εγγύησης της SKIL επισκεφτείτε τη διεύθυνση [www.skil.com](http://www.skil.com) ή απευθυνθείτε στον πλησιέστερο αντιπρόσωπο)

## ΠΕΡΙΒΑΛΛΟΝ


- **Μην πετάτε τα ηλεκτρικά εργαλεία, μπαταρίες, εξαρτήματα και συσκευασία στον κάδο οικιακών απορριμμάτων** (μόνο για τις χώρες της ΕΕ)
- σύμφωνα με την ευρωπαϊκή οδηγία 2012/19/EK περί ηλεκτρικών και ηλεκτρονικών συσκευών και την ενσωμάτωσή της στο εθνικό δίκαιο, τα ηλεκτρικά εργαλεία πρέπει να συλλέγονται ξεχωριστά και να επιστρέφονται για ανακύκλωση με τρόπο φιλικό προς το περιβάλλον
- το σύμβολο  θα σας το θυμήσει αυτό όταν έλθει η ώρα να πετάξετε τις
- ! **προτού πετάξετε τις μπαταρίες καλύψτε τις επαφές τους με μονωτική ταινία για να αποφύγετε τυχόν βραχυκυκλώματα**

## ΘΟΥΡΒΟΣ / ΚΡΑΔΑΣΜΟΣ

- Βάσει της μέτρησης σύμφωνα με το πρότυπο EN 62841, η στάθμη ηχοπίεσης αυτού του εργαλείου είναι 85,0 dB(A) και η στάθμη ηχοπίεσης του 96,0 dB(A) (αβεβαιότητα K = 5 dB), και ο κραδασμός \* (τριαξονικό διανυσματικό άθροισμα, αβεβαιότητα K = 1,5 m/s<sup>2</sup>)
- \* κοπή σανίδων 9,9 m/s<sup>2</sup>
- \* κοπή ξύλινων δοκαριών 9,5 m/s<sup>2</sup>
- Το επίπεδο παραγωγής κραδασμών έχει μετρηθεί σύμφωνα με μια τυποποιημένη δοκιμή που αναφέρεται στο πρότυπο EN 62841 - μπορεί να χρησιμοποιηθεί για τη σύγκριση ενός εργαλείου με ένα άλλο, καθώς και ως προκαταρκτική αξιολόγηση της έκθεσης στους κραδασμούς όταν το εργαλείο χρησιμοποιείται για τις εφαρμογές που αναφέρονται
- η χρήση του εργαλείου για διαφορετικές εφαρμογές ή με διαφορετικά ή κακοσυντηρημένα εξαρτήματα μπορεί να **αυξήσει** σημαντικά το επίπεδο έκθεσης
- όταν το εργαλείο είναι απενεργοποιημένο ή δουλεύει αλλά δεν εκτελεί την εργασία, το επίπεδο έκθεσης μπορεί να **μειωθεί** σημαντικά
- ! **προστατευτείτε από τις επιδράσεις των κραδασμών συντηρώντας σωστά το εργαλείο και τα εξαρτήματά του, διατηρώντας τα χέρια σας ζεστά και οργανώνοντας τον τρόπο εργασίας σας**

## Fierăstrău pendular fără perii 3480 și fără fir

### INTRODUCERE

- Această sculă este destinată pentru tăieri de lemn, plastic, metal și materiale de construcții ca și pentru elagaj și tunderea copacilor; este adecvată pentru tăieri drepte și în curbă
- Această sculă nu este destinată utilizării profesionale
- Citiți și păstrați acest manual de instrucțiuni 


### DATE TEHNICE

### ELEMENTELE SCULEI

- A Buton de blocare
- B Întrerupător deschis/închis și controlul vitezei
- C Portsculă
- D Șageată
- E Mâner
- F Mâner orizontal
- G Talpă reglabilă
- H Fantele de ventilație
- J Bolțuri de fixare
- K Cheia hexagonală
- L Indicator nivel încărcare acumulator
- M Lampă LED
- N Comutații pe acțiune orbitală

### SIGURANȚA

#### INSTRUCȚIUNI GENERALE DE SIGURANȚĂ PENTRU SCULE ELECTRICE

 **AVERTISMENT** Citiți toate avertismentele, instrucțiunile, ilustrațiile și specificațiile furnizate împreună cu această sculă electrică. Neconformarea la instrucțiunile de mai jos poate produce șoc electric, incendii și/sau răniiri grave.

**Păstrați toate avertizările și instrucțiunile în vederea consultării ulterioare.**

Termenul de "sculă electrică" folosit în indicațiile de avertizare se referă la sculele electrice alimentate de la rețea (cu cablu de alimentare) și la sculele electrice cu acumulator (fără cablu de alimentare).

#### 1) SIGURANȚA LA LOCUL DE MUNCĂ

- a) **Păstrați-vă locul de muncă curat și bine iluminat.** Dezordinea la locul de muncă sau existența unor sectoare de lucru neiluminate poate duce la accidente.
- b) **Nu folosiți mașina în medii cu pericol de explozie, acolo unde există lichide, gaze sau pulberi inflamabile.** Sculele electrice pot produce scânteii care să aprindă pulberile sau vaporii.
- c) **Nu permiteți accesul copiilor și al altor persoane în timpul lucrului cu mașina.** Dacă vi se distrage atenția puteți pierde controlul asupra mașinii.

#### 2) SECURITATE ELECTRICĂ

- a) **Ștecherul de racordare a mașinii trebuie să se**

- potrivească cu priza de alimentare. Nu este permisă în nici-un caz modificarea ștecherului. Nu folosiți adaptoare pentru ștechere la mașinile legate la pământ. Ștecherule nemodificate și prizele de curent adecvate acestora reduc riscul de electrocutare.
- b) **Evitați contactul corporal cu suprafețe legate la pământ ca țevi, radiatoare, plite electrice și frigider.** Există un risc crescut de electrocutare atunci când corpul dv. este și el legat la pământ.
- c) **Nu lăsați mașina afară în ploaie sau în mediu umed.** Riscul de electrocutare crește atunci când într-o sculă electrică pătrunde apă.
- d) **Nu trageți niciodată mașina de cordonul de alimentare pentru a o transporta, a o atârna sau a scoate ștecherul din priza de curent. Feriți cordonul de alimentare de căldură, ulei, muchi ascuți sau de subsansamble aflate în mișcare.** Un cordon de alimentare deteriorat sau înfășurat mărește riscul de electrocutare.
- e) **Atunci când lucrați cu scula electrică în aer liber, folosiți numai cordoane prelungitoare autorizate pentru exterior.** Întrebuințarea unui cordon prelungitor adecvat utilizării în aer liber reduce riscul de electrocutare.
- f) **Atunci când nu poate fi evitată utilizarea sculei electrice în mediu umed, folosiți un întrerupător de circuit cu împământare.** Folosirea unei întrerupător de circuit cu împământare reduce riscul de electrocutare.
- 3) SECURITATEA PERSOANELOR**
- a) **Fiți vigilenți, fiți atenți la ceea ce faceți și procedați rațional atunci când lucrați cu scula electrică. Nu folosiți mașina dacă sunteți obosiți sau vă aflați sub influența drogurilor, alcoolului sau a medicamentelor.** Un moment de neatenție în timpul lucrului cu mașina poate duce la răni grave.
- b) **Purtați echipament de protecție personală și întotdeauna ochelari de protecție.** Folosirea echipamentelor de protecție a persoanei ca mască de protecție împotriva prafului, încălțăminte antiderapantă, cască de protecție sau aparat de protecție auditivă, în funcție de tipul și domeniul de folosire al sculei electrice, reduce riscul rănilor.
- c) **Evitați o punere în funcțiune involuntară. Înainte de a introduce ștecherul în priză și/sau de a introduce acumulatorul în scula electrică, de a o ridica sau de a o transporta, asigurați vă că aceasta este oprită.** Dacă atunci când transportați scula electrică țineți degetul pe întrerupător sau dacă porniți scula electrică înainte de a o racorda la rețeaua de curent, puteți provoca accidente.
- d) **Înainte de a pune mașina în funcțiune scoateți afară cheile reglabile și fixe.** O cheie reglabilă sau fixă, aflată într-o componentă de mașină care se rotește, poate provoca răni.
- e) **Nu vă supraapreciați. Asigurați-vă o poziție stabilă și păstrați-vă întotdeauna echilibrul.** Astfel veți putea controla mai bine mașina în situații neașteptate.
- f) **Purtați îmbrăcăminte de lucru adecvată. Nu purtați haine largi sau podoabe. Feriți părul și îmbrăcăminte de piesele aflate în mișcare.** Îmbrăcăminte largă, podoabele și părul lung pot fi prinse de piesele aflate în mișcare.
- g) **Dacă există posibilitatea montării de echipamente și instalații de aspirare și colectare a prafului, asigurați-vă că acestea sunt conectate și folosite corect.** Folosirea unei instalații de aspirare a prafului poate duce la reducerea poluării cu praf.
- h) **Nu vă lăsați amăgiți de ușurința în operare dobândită în urma folosirii frecvente a sculelor electrice și nu ignorați principiile de siguranță ale acestora.** Neglijența poate provoca, într-o fracțiune de secundă, vătămări corporale grave
- 4) MANEVRAȚI ȘI FOLOSIȚI CU GRIJĂ SCULELE ELECTRICE**
- a) **Nu suprasolicitați mașina. Folosiți scula electrică destinată executării lucrării dumneavoastră.** Cu scula electrică potrivită lucrăți mai bine și mai sigur în domeniul de putere specificat.
- b) **Nu folosiți scula electrică dacă are întrerupătorul defect.** O sculă electrică, care nu mai poate fi pornită sau oprită este periculoasă și trebuie reparată.
- c) **Scoateți ștecherul afară din priză și/sau îndepărtați acumulatorul dacă este detașabil, înainte de a executa reglaje, a schimba accesorii sau a depozita scula electrică.** Această măsură preventivă reduce riscul unei porniri involuntare a mașinii.
- d) **În caz de nefolosire păstrați mașinile la loc inaccesibil copiilor. Nu permiteți persoanelor care nu sunt familiarizate cu mașina sau care n-au citit prezențele instrucțiunii, să folosească mașina.** Sculele electrice sunt periculoase atunci când sunt folosite de persoane fără experiență.
- e) **Întrețineți sculele electrice și accesoriile acestora. Controlați dacă componentele mobile funcționează corect și dacă nu se blochează, dacă nu există piese defecte sau deteriorate, care să afecteze funcționarea mașinii. Înainte de a repune în funcțiune mașina, duceți-o la un atelier de asistență service pentru repararea sau înlocuirea pieselor defectuoase a sculelor electrice.**
- f) **Păstrați accesoriile bine ascuțite și curate.** Accesoriile atent întreținute, cu muchii tăietoare bine ascuțite se blochează mai greu și pot fi conduse mai ușor.
- g) **Folosiți sculele electrice, accesoriile, dispozitivele de lucru etc. conform prezențelor instrucțiuni. Țineți seama de condițiile de lucru și de lucrarea care trebuie executată.** Întrebuințarea unor scule electrice destinate altor utilizări decât cele preconizate, poate duce la situații periculoase.
- h) **Mențineți mânerul și zonele de prindere uscate, curate și feriți-le de ulei și unsoare.** Mânerul și zonele de prindere alunecoase nu permit manevrarea și controlul sigur al sculei electrice în situații neașteptate.
- 5) MANEVRAȚI ȘI FOLOSIȚI CU GRIJĂ SCULELE ELECTRICE CU ACUMULATOR**
- a) **Folosiți pentru încărcarea acumulatorilor numai încărcătoarele recomandate de producător.** Dacă un încărcător destinat unui anumit tip de acumulator este folosit la încărcarea altor acumulatori există pericol de incendiu.
- b) **Folosiți la sculele electrice numai acumulatorii prevăzuți în acest scop.** Întrebuințarea altor acumulatori decât cei specificați poate duce la răni și pericol de incendii.

- c) **Feriți acumulatorii nefolosii de contactul cu agrafe de birou, monede, chei, cuie, șuruburi sau alte obiecte metalice mici, care pot produce o punte metalică între contactele acumulatorului.** Un scurtcircuit între polii de contact ai acumulatorului poate avea drept consecință arsuri sau incendii.
- d) **Ca urmare a folosirii necorespunzătoare, din acumulator se poate scurge lichid. Evitați contactul cu acesta. În caz de contact accidental, clătiți cu apă. Dacă lichidul vă intră în ochi, pe lângă măsurile aminite consultați și un medic.** Lichidul care se scurge din acumulator poate provoca iritarea pielii sau arsuri.
- e) **Nu folosiți un acumulator sau o sculă electrică cu acumulator deteriorat sau modificat.** Acumulatorii deteriorați sau modificați pot avea un comportament imprevizibil care să ducă la incendiu, explozie sau să genereze risc de vătămări corporale.
- f) **Nu expuneți acumulatorul sau scula electrică la foc sau temperaturi excesive.** Expunerea la foc sau temperaturi de peste 130°C poate duce la explozii.
- g) **Respectați toate instrucțiunile de încărcare și nu reîncărcați acumulatorul sau scula electrică cu acumulator la temperaturi situate în afara domeniului de temperaturi specificat în instrucțiuni.** Încărcarea incorectă sau la temperaturi situate în afara domeniului de temperaturi specificat ar putea cauza deteriorarea acumulatorului și mări riscul de incendiu.

## 6) SERVICIU

- a) **Permiteți repararea mașinii dumneavoastră numai de către un specialist calificat și numai cu piese de schimb originale.** În acest mod este garantată menținerea siguranței de exploatare a mașinii.
- b) **Nu întrețineți niciodată acumulatori deteriorați.** Întreținerea acumulatorilor ar trebui efectuată numai de către producător sau de către furnizori de service autorizați de acesta.

## INSTRUCȚIUNI DE SIGURANȚĂ PENTRU FERĂSTRAIE ALTERNATIVĂ COADĂ DE VULPE CU ACUMULATOR

- **Țineți scula electrică de mânerul izolat atunci când executați operații în cursul cărora accesoriul de tăiere poate atinge fire electrice ascunse** (contactul un cablu aflat sub tensiune poate electriciza componentele metalice ale sculei electrice, existând riscul unui șoc electric pentru operator)
- **Folosiți clame sau alte metode practice pentru a securiza și susține piesa de prelucrat pe o platformă stabilă** (dacă țineți piesa cu mâna sau sprijinită de corp va fi instabilă și puteți pierde controlul asupra ei)

## ACCESORII

- SKIL garantează funcționarea perfectă a aparatului numai dacă sunt folosite accesoriile originale
- Folosiți numai accesoriile a căror turație admisă este cel puțin egală cu turația maximă la mers în gol a aparatului

## ÎNAINTEA UTILIZĂRII

- Evitați daunele provocate de șuruburi, țiște și alte elemente din timpul lucrului; înlăturați aceste elemente înainte de a trece la acțiune
- **Folosiți detectoare adecvate pentru depistarea conductelor și conductorilor de alimentare sau apelați în acest scop la întreprinderea locală de furnizare a utilităților** (contactul cu conductorii electrice poate provoca incendii sau electrocutare; deteriorarea unei conducte de gaz poate duce la explozii; spargerea

unei conducte de apă provoacă pagube materiale sau poate provoca electrocutare)

## SECURITATEA PERSOANELOR

- Această sculă nu trebuie să fie folosit de persoane sub 16 ani
- **Nu prelucrați materiale care conțin azbest** (azbestul este considerat a fi cancerigen)
- Praful rezultat din materiale precum vopseaua care conține plumb, unele specii de lemn, minerale și metale poate fi periculos (contactul cu praful sau inhalarea acestuia poate provoca reacții alergice și/sau afecțiuni respiratorii operatorului sau persoanelor care stau în apropiere); **purtați o mască de praf și lucrați cu un dispozitiv de extragere a prafului când poate fi conectat**
- Anumite tipuri de praf sunt clasificate ca fiind cancerigene (cum ar fi praful de stejar și fag) în special în combinație cu aditivi pentru tratarea lemnului; **purtați o mască de praf și lucrați cu un dispozitiv de extragere a prafului când poate fi conectat**
- Respectați reglementările naționale referitoare la aspirația prafului în funcție de materialele de lucru folosite
- **Țineți-vă mâinile la distanță de zona de tăiere și de pânza ferăstrăului; țineți-vă cealaltă mână pe mânerul orizontal F ②** (dacă țineți cu amândouă mâinile ferăstrăul, ele nu pot fi tăiate de pânza acestuia)
- **Nu atingeți piesa de prelucrat dedesubt** (apropierea pânzei de mâna dumneavoastră este ascunsă vederii)
- **Nu țineți niciodată piesa de prelucrat în mâinile sau pe picioarele dvs** (este important să lucrați într-un mod adecvat pentru a micșora la minimum expunerea corpului dvs, griparea pânzei sau pierderea controlului)
- **Nu folosiți o pânză toxică sau deteriorată** (pânzele de ferăstrău indoite se pot rupe ușor sau provoca recul)
- **Folosiți mănuși de protecție când scoateți pânza de ferăstrău din sculă** (pânza poate fi fierbinte după o utilizare prelungită)
- Purtați ochelari de protecție și căști antifonice

## BATERIILOR

- **Bateria furnizată este parțial încărcată** (pentru a asigura o capacitate maximă a bateriei, încărcăți-o complet utilizând încărcătorul acesteia înainte de a utiliza scula electrică pentru prima dată)
- **Utilizați numai următoarele baterii și încărcătoare cu această sculă**
  - Baterie SKIL: BR1\*31\*\*\*\*
  - Încărcător SKIL: CR1\*31\*\*\*\*
- Nu utilizați bateria dacă este avariată; aceasta trebuie înlocuită
- Nu dezamblați bateria
- Nu expuneți scula/bateria la ploaie
- Temperatură ambientată admisă (instrument/încărcător/acumulator):
  - în timpul încărcării 4...40°C
  - în timpul funcționării -20...+50°C
  - în timpul depozitării -20...+50°C

## EXPLICAȚIA SIMBOLURILOR DE PE INSTRUMENT/ BATERIE

- ③ Citiți manual de instrucțiuni înainte de utilizare
- ④ Bateriile vor exploda când sunt aruncate în foc, deci nu ardeți bateriile sub niciun motiv
- ⑤ Păstrați instrumentul/încărcătorul/bateria la temperaturi cuprinse între 50°C și 0°C
- ⑥ Nu aruncați sculele electrice și bateriile direct la pubelele de gunoi

## UTILIZAREA

- Încărcarea bateriei
  - ! **citiți avertismentele de siguranță și instrucțiunile care au fost furnizate împreună cu încărcătorul**
- Scoaterea/instalarea bateriilor ②
- Indicator nivel încărcare acumulator ⑦
  - apăsați butonul care indică nivelul de încărcare a bateriei L pentru a afișa nivelul actual de încărcare al bateriei ⑦a
  - ! **când nivelul minim al indicatorului bateriei începe să lumineze intermitent după apăsarea butonului L ⑦b, bateria este descărcată**
  - ! **Când 2 nivelurile indicatorului bateriei încep să lumineze intermitent după apăsarea butonului L ⑦c, bateria nu se încădează în intervalul permis de temperatură de funcționare**
- Lampă LED ⑧
  - LED-ul se aprinde automat când activați comutatorul de pornire/oprire
  - ! **când LED-ul începe să lumineze intermitent, protecția bateriei este activată (a se vedea mai jos)**
- Protecția bateriei
  - Aparatul este oprit brusc sau împiedicat să fie pornit când
    - **sarcina este prea mare** --> îndepărtați sarcina și reporniți
    - **temperatura bateriei nu se încădează în intervalul permis de temperatură de funcționare între -20 și +50 °C** --> nivelurile 2 ale indicatorului nivelului de încărcare al bateriei încep să lumineze intermitent la apăsarea butonului L ⑦c; așteptați până când bateria revine în intervalul permis de temperatură de funcționare
    - **bateria este aproape descărcată (pentru a proteja împotriva descărcării în totalitate)** --> un nivel de încărcare scăzut al bateriei sau un nivel de încărcare scăzut al bateriei care luminează intermitent ⑦b este afișat de indicatorul nivelului de încărcare al bateriei la apăsarea butonului L; încărcăți bateria
    - ! **nu continuați să apăsați comutatorul pornit/oprit după oprirea automată a mașinii; în caz contrar, bateria poate fi deteriorată**
- Întrerupător combinat pentru pornire/oprire și controlarea vitezei cu buton de blocare ⑨ ⑩
  - deblocați mai întâi apăsând butonul A
  - porniți instrumentul prin tragerea declansatorului B
  - dirijați viteza de la 0 la maximum prin apăsare mai puternică sau mai slabă a butonului de pornire
  - opriți scula prin eliberarea întrerupătorului de declanșare B
- Butonul de blocare A poate fi activat ⑨
  - dacă este activat, comutatorul de pornire/oprire este blocat și mașina este protejată împotriva pornirii involuntare
- Montarea pânzei de ferăstrău ⑪
  - ! **scoateți bateria din sculă înainte de a face orice reglaje sau de a schimba accesorii**
  - răsuciți portscula C în direcția săgeții D de pe unealtă și țineți-o în această poziție
  - introduceți pânza (cu dinții în jos sau în sus) la adâncimea maximă
  - eliberați portscula C

- împingeți și trageți pânza pentru a verifica dacă este fixată corect
- Scoaterea pânzei de ferăstrău ⑪
  - ! **scoateți bateria din sculă înainte de a face orice reglaje sau de a schimba accesorii**
  - răsuciți portscula C în direcția săgeții D de pe unealtă și țineți-o în această poziție
  - scoateți pânza afară
  - eliberați portscula C
- Acțiune orbitală pentru tăiere rapidă ⑫
  - pentru activarea acțiunii orbitale a lamei ferăstrăului folosiți întrerupătorul N ca în ilustrație
  - ! **nu activați acțiunea orbitală când tăiați metal**
- Utilizarea sculei
  - ! **fixați bine piesa de prelucrat**
  - marcați linia de tăiere pe piesa de prelucrat
  - montați bateria pe sculă
  - țineți scula cu o mână pe mânerul E și cu cealaltă pe mânerul orizontal izolat F
  - porniți scula
  - ghidați scula de-a lungul liniei de tăiere marcate
  - mențineți talpa G lipită de piesa de prelucrat pentru a reduce la minim contra-forța și vibrațiile
- Mănuirea și dirijarea sculei
  - ! **în timp ce lucrați, țineți întotdeauna scula de zonă (zone) de prindere colorate gri ⑬**
  - mențineți fantele de ventilație H neacoperite
  - nu exercitați prea multă presiune asupra sculei; lăsați scula să funcționeze
  - ! **asigurați-vă că pânza de ferăstrău trece dincolo de piesa de prelucrat în timpul cursei ⑭**
- Reglarea adâncimii efective de tăiere ⑮
  - ! **scoateți bateria din sculă înainte de a face orice reglaje sau de a schimba accesorii**
  - utilizați cheia hexagonală K pentru slăbirea și fixarea ambelor șuruburi de fixare J
  - trageți talpa G înainte/înapoi pentru a mări/micșora adâncimea efectivă de tăiere

## SFATURI PENTRU UTILIZARE

- Tăieri în interiorul materialului ⑯
  - Tăierile în interiorul materialului pot fi efectuate în lemn și alte materiale moi fără a face o gaură în prealabil
  - folosiți o pânză de ferăstrău mai groasă
  - ! **scoateți bateria din sculă înainte de a face orice reglaje sau de a schimba accesorii**
  - montați pânza de ferăstrău cu dinții în sus
  - marcați linia de tăiere dorită pe piesa de prelucrat
  - înclinați scula astfel încât pânza de ferăstrău să nu atingă piesa de prelucrat
  - porniți scula și introduceți cu grijă pânza de ferăstrău în mișcare în piesa de prelucrat
  - după ce pânza de ferăstrău a trecut prin piesă continuați să tăiați de-a lungul liniei de tăiere marcate
  - ! **nu faceți tăieri în interiorul materialului în metal**
- Folosiți pânzele de ferăstrău corespunzătoare ⑰
- Când tăiați metale, ungeți în mod regulat pânza de ferăstrău cu ulei
- Tăiere fără așchii
  - acoperiți linia de tăiere, înainte de a tăia, cu câteva straturi de bandă adezivă lată
  - puneți întotdeauna materialul la care lucrați cu fața în jos
- Pentru mai multe informații, consultați [www.skil.com](http://www.skil.com)

## ЪНТРЕЪНЕРЕ / SERVICE

- Aceastя sculя nu este destinatя utilizярий професионале
- Пястрярий йнтодеауна апаратул курат (май алес фантеле де вентиляция H ②)
  - ! **сcoaтeй battery дин scula electricя йнаиnte де curятare**
- Дacя йн ciуда procedeелор де fabricяция й control riguroase scula are totuй a panя, repararea acesteia se va face numai la un atelier де аsistentя service autorizat pentru scule electrice SKIL
  - trimitей scula йн **totalitatea lui** cu bonul де cumpяrare la distribuitorul sau la centrul де service SKIL cel mai apropiat (adrese йи diagrame де service се гясеасc la [www.skil.com](http://www.skil.com))
- Trebuie ся йтi conйtenйй де faptul cя deteriorarea datorатя suprasarcinii sau utilizярий incorecte а sculei vor fi excluse дин гаранция (пентру conditione де гаранция SKIL consultaй [www.skil.com](http://www.skil.com) sau йнтребяй distribuitorul)

## MEDIUL

- **Nu aruncaй sculele electrice, bateriile, accesoriile sau ambalajele direct la pubelele де gunoi** (numai pentru тариле дин Comunitatea Europeanя)
  - Directiva Europeanя 2012/19/EC face referenция la modul де aruncare а echipamentelor electrice йи electronice йи modul де aplicare а normelor йн conformitate cu legisляция naйionalя; sculele electrice йн momentul йн care au atins un grad avansat де uzurя йи trebuie sc арuncate, ele trebuie sc colectate separat йи reciclate йнtr-un mod ce respectя normele де protecция а mediului йнconjurяtor
  - simbolul ⑥ vя va reaminti acest lucru
  - ! **йнаиnte aruncare proteжяй terminalele bateriei cu lentя protectoare pentru а preintяmpina scurtcircuitul**

## ZGOMOT / VIBRAТИЙ

- Mяsurate йн conformitate cu EN 62841, nivelul де presiune sonorя а acestui instrument este 85,0 dB(A) йи nivelul де zgomot 96,0 dB(A) (incertitudinea K = 5 dB) йи vibraция \* (suma vectorialя triaxialя; incertitudinea K = 1,5 m/s<sup>2</sup>)
  - \* тяierea plяциlor 9,9 m/s<sup>2</sup>
  - \* тяierea grinzii де lemn 9,5 m/s<sup>2</sup>
- Nivelul emisiilor де vibraция а fost mяsurat йн conformitate cu un test standardizat precizat йн EN 62841; poate fi folosit pentru а compara о sculя cu alta йи ca evaluare preliminarя а expunerii la vibraция атunci cянд folosий scula pentru aplicaцияле менцияоnate
  - utilizarea sculei pentru aplicaция diferite sau cu accesorii diferite йи prost йнтрейнуте poate **creйte** semnificativ nivelul де expunere
  - momentele йн care scula este opritя sau cянд funcioneazя dar nu executя nicio lucrare, pot **reduce** semnificativ nivelul де expunere
- ! **proteжяй-vя ймpotriva efectelor vibraцияlor йн йнтрейнере sculei йи а accesorilor sale, пястрярд мйиниле calde йи organizянд procesele де lucru**

BG

## Безчетков акумулаторен саблен трион 3480

### УВОД

- Този инструмент е предназначен за рязане на дърво, пластмаса, метал и строителни материали, както и за подрязване и подкастряне на дървета; подходящ е за право и извито рязане
- Този инструмент не е предназначен за професионална употреба
- Прочетете и пазете това ръководство за работа ③

### ТЕХНИЧЕСКИ ДАННИ ①

### ЕЛЕМЕНТИ НА ИНСТРУМЕНТА ②

- A Заклучващ ключ
- B Спусък за включване/изключване и регулиране на скоростта
- C Фиксатор на острието
- D Стрелка
- E Дръжка
- F Цилиндрична ръкохватка
- G Регулируема опорна планка
- H Вентилационните отвори
- J Закрепващи болтове
- K Шестостепенен ключ
- L Индикатор за капацитета на батерията
- M Светодиодна светлина
- N Прекъсвач за орбитално действие

### БЕЗОПАСНОСТ

#### ОБЩИ УКАЗАНИЯ ЗА БЕЗОПАСНА РАБОТА С ЕЛЕКТРОИНСТРУМЕНТИ

**⚠ ПРЕДУПРЕЖДЕНИЕ** Прочете всички предупреждения за безопасност, инструкции, илюстрации и спецификации, доставени с този електроинструмент. Неспазването на всички описани по-долу инструкции може да доведе до токов удар, пожар и/или тежко нараняване.

**Запазете всички предупреждения и указания за ползване в бъдеще.**

Използваният по-долу термин "електроинструмент" се отнася до захранвани от електрическата мрежа електроинструменти (със захранващ кабел) и до захранвани от акумулаторна батерия електроинструменти (без захранващ кабел).

#### 1) БЕЗОПАСНОСТ НА РАБОТНОТО МЯСТО

- a) **Поддържайте работното си място чисто и подредено.** Безпорядъкът или недостатъчното осветление могат да спомогнат за възникването на трудова злополука.
- b) **Не работете с електроинструмента в среда с повишена опасност от възникване на експлозия, в близост до леснозапалими течности, газове**

- или прахообразни материали. По време на работа в електроинструментите се отделят искри, които могат да възпламят прахообразни материали или пари.
- c) **Дръжте деца и странични лица на безопасно разстояние, докато работите с електроинструмента.** Ако вниманието Ви бъде отклонено, може да загубите контрола над електроинструмента.
- 2) БЕЗОПАСНОСТ ПРИ РАБОТА С ЕЛЕКТРИЧЕСКИ ТОК**
- a) **Щепселът на електроинструмента трябва да е подходящ за ползвания контакт. В никакъв случай не се допуска изменение на конструкцията на щепсела. Когато работите със занулените електроуреди, не използвайте адаптери за щепсела.** Ползването на оригинални щепсели и контакти намалява риска от възникване на токов удар.
- b) **Избягвайте допира на тялото Ви до заземени тела, напр. тръби, отоплителни уреди, печи и хладилници.** Когато тялото Ви е заземено, рискът от възникване на токов удар е по-голям.
- c) **Предпазвайте електроинструмента си от дъжд и влага.** Проникването на вода в електроинструмента повишава опасността от токов удар.
- d) **Не използвайте захранващ кабел за цели, за които той не е предвиден, напр. за да носите електроинструмента за кабела или да извадите щепсела от контакта. Предпазвайте кабела от нагриване, омасляване, допир до остри ръбове или до подвижни звена на машини.** Повредени или усукани кабели увеличават риска от възникване на токов удар.
- e) **Когато работите с електроинструмент навън, използвайте само удължителни кабели, предназначени за работа на открито.** Използването на удължител, предназначен за работа на открито, намалява риска от възникване на токов удар.
- f) **Ако се налага използването на електроинструмента във влажна среда, използвайте предпазен прекъсвач за утечни токове.** Използването на предпазен прекъсвач за утечни токове намалява опасността от възникване на токов удар.
- 3) БЕЗОПАСЕН НАЧИН НА РАБОТА**
- a) **Бъдете концентрирани, следете внимателно действията си и постъпвайте предпазливо и разумно. Не използвайте електроинструмента, когато сте уморени или под влиянието на наркотични вещества, алкохол или упойващи лекарства.** Един миг разсеяност при работа с електроинструмент може да има за следствие изключително тежки наранявания.
- b) **Работете с предпазващо работно облекло и винаги с предпазни очила.** Носенето на подходящи за ползвания електроинструмент и извършваната дейност лични предпазни средства, като дихателна маска, здрави плътнотзатворени обувки със стабилен грайфер, защитна каска или шумозаглушители (антифони), намалява риска от възникване на трудова злополука.
- c) **Избягвайте опасността от включване на електроинструмента по невнимание. Преди да включите щепсела в захранващата мрежа или да поставите акумулаторна батерия, се уверявайте, че пусковият прекъсвач е в положение изключено.** Ако, когато носите електроинструмента, държите пръста си върху пусковия прекъсвач, или ако подавате захранващо напрежение на електроинструмента, когато е включен, съществува опасност от възникване на трудова злополука.
- d) **Преди да включите електроинструмента, се уверявайте, че сте отстранили от него всички помощни инструменти и гаечни ключове.** Помощен инструмент, забравен на въртящо се звено, може да причини травми.
- e) **Не надценявайте възможностите си. Работете в стабилно положение на тялото и във всеки момент поддържайте равновесие.** Така ще можете да контролирате електроинструмента по-добре и по-безопасно, ако възникне неочаквана ситуация.
- f) **Работете с подходящо облекло. Не работете с широки дрехи или украшения. Дръгнете косата и дрехите си на безопасно разстояние от движещи се звена.** Широките дрехи, украшенията, дългите коси могат да бъдат захванати и увлечени от въртящи се звена.
- g) **Ако е възможно използването на външна аспирационна система, се уверявайте, че тя е включена и функционира изправно.** Използването на аспирационна система намалява рисковете, дължащи се на отделящата се при работа прах.
- h) **Доброто познаване на електроинструмента вследствие на честа работа с него не е повод за намаляване на вниманието и пренебрегване на мерките за безопасност.** Едно невнимателно действие може да предизвика тежки наранявания само за части от секундата.
- 4) ВНИМАТЕЛНО ОТНОШЕНИЕ НЪМ ЕЛЕКТРОИНСТРУМЕНТИ**
- a) **Не претоварвайте електроинструмента.** Използвайте електроинструментите само съобразно тяхното предназначение. Ще работите по-добре и по-безопасно, когато използвате подходящия електроинструмент в зададения от производителя диапазон на натоварване.
- b) **Не използвайте електроинструмент, чиито пусков прекъсвач е повреден.** Електроинструмент, който не може да бъде изключван и включван по предвидения от производителя начин, е опасен и трябва да бъде ремонтиран.
- c) **Преди да извършвате каквито и да е дейности по електроинструмента, напр. настройване, смяна на работен инструмент, както и когато го прибирате, изключвайте щепсела от контакта, респ. изваждайте батерията, ако е възможно.** Тази мярка премахва опасността от задействане на електроинструмента по невнимание.
- d) **Съхранявайте електроинструментите на места, където не могат да бъдат достъпни от деца. Не допускайте те да бъдат използвани от лица, които не са запознати с начина на работа с тях и**

- не са прочели тези инструкции. Когато са в ръцете на неопитни потребители, електроинструментите могат да бъдат изключително опасни.
- e) **Поддържайте добре електроинструментите си и аксесоарите им.** Проверявайте дали подвижните звена функционират безукорно, дали не заклинват, дали има счупени или повредени детайли, които нарушават или изменят функциите на електроинструмента. Преди да използвате електроинструмента, се погрижете повредените детайли да бъдат ремонтирани. Много от трудовете злополуки се дължат на недобре поддържани електроинструменти и уреди.
- f) **Поддържайте режещите инструменти винаги добре заточени и чисти.** Добре поддържаните режещи инструменти с остри ръбове оказват по-малко съпротивление и се водят по-леко.
- g) **Използвайте електроинструментите, допълнителните приспособления, работните инструменти и т.н., съобразно инструкциите на производителя. С дейности и процедури, евентуално предписани от различни нормативни документи.** Използването на електроинструменти за различни от предвидените от производителя приложения повишава опасността от възникване на трудови злополуки.
- h) **Поддържайте дръжките и ръкохватките сухи, чисти и неомаслени.** Хлъзгавите дръжки и ръкохватки не позволяват безопасната работа и доброто контролиране на електроинструмента при възникване на неочаквана ситуация.
- 5) ВНИМАТЕЛНО ОТНОШЕНИЕ КЪМ АКУМУЛАТОРНИ ЕЛЕКТРОИНСТРУМЕНТИ**
- a) **За зареждането на акумулаторни батерии използвайте само зарядните устройства, препоръчвани от производителя.** Когато използвате зарядни устройства за зареждане на неподходящи акумулаторни батерии, съществува опасност от възникване на пожар.
- b) **За захранване на електроинструментите използвайте само предвидените за съответния модел акумулаторни батерии.** Използването на различни акумулаторни батерии може да предизвика трудова злополука и/или пожар.
- c) **Предпазвайте неизползваните акумулаторни батерии от контакт с големи или малки метални предмети, напр. кламери, монети, ключове, пирони, винтове и др.п., тъй като те могат да предизвикат късо съединение.** Последствията от късото съединение могат да бъдат изгаряния или пожар.
- d) **При неправилно използване от акумулаторна батерия от нея може да изтече електролит. Избягвайте контакта с него.** Ако въпреки това на кожата Ви попадне електролит, изплакнете мястото обилно с вода. Ако електролит попадне в очите Ви, незабавно се обърнете за помощ към очен лекар. Електролитът може да предизвика изгаряния на кожата.
- e) **Не използвайте акумулаторна батерия или електроинструмент, които са повредени или с изменена конструкция.** Повредени или изменени акумулаторни батерии могат да се възпламенят, експлодират или да предизвикат наранявания.
- f) **Не излагайте акумулаторната батерия на високи температури или огън.** Излагането на огън или температури над 130°C могат да предизвикат експлозии.
- g) **Спазвайте всички указания за зареждане на акумулаторната батерия; не я зареждайте, ако температурата ѝ е извън диапазона, посочен в инструкциите.** Неправилното зареждане или зареждането при температури извън допустимия диапазон могат да увредят батерията и увеличават опасността от пожар.
- 6) ПОДДЪРЖАНЕ**
- a) **Допускайте ремонтът на електроинструментите Ви да се извършва само от квалифицирани специалисти и само с използването на оригинални резервни части.** По този начин се гарантира съхраняване на безопасността на електроинструмента.
- b) **Никога не ремонтирайте повредени акумулаторни батерии.** Ремонтът на акумулаторни батерии трябва да се извършва само от производителя или от оторизиран сервис.

#### УКАЗАНИЯ ЗА БЕЗОПАСНА РАБОТА ЗА БЕЗКАБЕЛЕН ТРИОН С ВЪЗВРАТНО-ПОСТЪПАТЕЛНО ДЕЙСТВИЕ

- **Дръжте електроинструмента за изолирани захващащи повърхности при изпълняване на операция, при която режещият аксесоар може да влезе в контакт със скрити окабеляване** (режещ аксесоар в контакт с „жив“ електрически проводник може да направи изложените метални части на електроинструмента „живи“ и да причини електрически шок у оператора)
- **Използвайте затягащи приспособления или друг практичен начин за обезопасяване и закрепване на обработвания детайл към стабилна основа** (държането на обработвания детайл с ръка или опрян до тялото го прави нестабилен и може да доведе до загуба на контрол)

#### АКСЕСОАРИ

- SKIL може да осигури безаварийна работа на електроинструмента само ако се използват оригинални допълнителни приспособления
- Използвайте само принадлежности, чиято допустима скорост на въртене е по-голяма или равна на максималната скорост на въртене на празен ход на електроинструмента

#### ПРЕДИ УПОТРЕБА

- Избягвайте повреди, които могат да бъдат причинени от винтове, гвоздеи и други метални елементи в обработвания детайл; отстранете ги преди да започнете работата
- **За да откриете скрити под повърхността електро-, водо- и газопроводи, използвайте подходящи уреди или се обърнете към местното снабдително дружество** (прекъсването на електропроводници под напрежение може да предизвика пожар и/или токов удар; увреждането на газопровод може да предизвика експлозия; засагането на водопровод може да предизвика значителни материални щети и/или токов удар)

#### БЕЗОПАСЕН НАЧИН НА РАБОТА

- Машината не трябва да се използва от лица под 16 години



- **Не обработвайте азбестосъдържащ материал** (азбестът е канцерогенен)
- Прахът от някои материали, като например съдържаща олово боя, някои видове дървесина, минерали и метали може да бъде вреден (контакт или вдишване на такъв прах могат да причинят алергични реакции и/или респираторни заболявания на оператора или стоящите наблизо лица); **използвайте противопрахова маска и работете с аспириращо прахта устройство, когато такова може да бъде свързано**
- Определени видове прах са класифицирани като карциногенни (като прах от дъб и бук) особено когато са комбинирани с добавки за подобряване на състоянието на дървесината; **използвайте противопрахова маска и работете с аспириращо прахта устройство, когато такова може да бъде свързано**
- Следвайте дефинираните по БДС изисквания относно запрашеността за материалите, които желаете да обработвате
- **Пазете ръцете от областта на рязане и острието; дръжте другата си ръка на цилиндричната ръкохватка F ②** (ако и двете ръце държат триона, режещото острие не може да ги засегне)
- **Не посягайте с ръце под обработвания детайл** (близостта на острието до ръката ви остава скрито от погледа)
- **Никога не дръжте обработвания детайл в ръце или върху крака си** (доброто закрепване на обработвания детайл е от голямо значение за свеждане до минимум опасността от подлагане на тялото на нежелани въздействия, заклинването на режещия диск или загубата на контрол върху инструмента)
- **Не използвайте затъпен или повреден режещ диск** (изкривените остриета се чупят лесно или предизвикват откат)
- **Използвайте защитни ръкавици при демониране на острието от инструмента** (острието може да е нагорещено след продължителна работа)
- Носете защитни очила и тапи за уши

## БАТЕРИИ

- **Идващата в комплекта батерия е частично заредена** (за да осигурите пълен капацитет на батерията, заредете напълно батерията в зарядното устройство за батерия, преди да използвате вашия електроинструмент за първи път)
- **Използвайте само следните батерии и зарядни устройства с този инструмент**
  - SKIL батерия: BR1\*31\*\*\*\*
  - SKIL зарядно устройство: CR1\*31\*\*\*\*
- Не използвайте батерията, когато е повредена; тя трябва да бъде заменена
- Не разглобявайте батерията
- Не излагайте на дъжд инструмента/батерията
- Допустима околна температура (инструмент/зарядното устройство/батерия):
  - при зареждане 4...40°C
  - по време на работа -20...+50°C
  - при съхраняване -20...+50°C

## ОБЯСНЕНИЕ НА СИМВОЛИТЕ ПО ИНСТРУМЕНТА/АНУМУЛАТОРНАТА БАТЕРИЯ

- ③ Преди употреба прочетете ръководството с указания
- ④ Хвърлен в огън, акумулаторът ще експлодира,

така че не изгаряйте акумулатора по каквато и да е причина

- ⑤ Съхранявайте инструмента/зарядното устройство/батерията в помещения при температури, не по-високи от 50°C
- ⑥ Не изхвърляйте електроуредите и батерии заедно с битови отпадъци

## УПОТРЕБА

- Зареждане на акумулатора  
**! прочетете предупрежденията и инструкциите за безопасност, доставени със зарядното устройство**
- Изваждане/поставяне на батерията ②
- Индикатор за капацитета на батерията ⑦
  - натиснете бутона за индикатор на нивото на заряд на батерията L за показване на текущото ниво на заряд на батерията ⑦a
  - ! когато най-ниското ниво на индикатора за заряд на батерията започне да мига след натискане на бутона L ⑦b, батерията е празна**
  - ! когато 2 нивата на индикатора за заряд на батерията започнат да мигат след натискане на бутона L ⑦c, батерията не е в допустимия работен температурен диапазон**
- Светодиодна лампа ⑧
  - светодиодът светва автоматично, когато се активира превключвателят за включване/изключване
  - ! когато светодиодът започне да мига, защитата на батерията е активирана (вижте по-долу)**
- Защита на батерията
  - Инструментът внезапно се изключва или не позволява да се включи, когато
    - **натоварването е прекалено голямо** --> премахнете натоварването и рестартирайте
    - **температурата на батерията е извън допустимия работен температурен диапазон от -20 до +50°C** --> 2 нивата на индикатора за заряд на батерията започват да мигат, когато натискате бутона L ⑦c; изчакайте, докато батерията си възвърне допустимия работен температурен диапазон
    - **батерията е почти празна (за предпазване срещу пълно разреждане)** --> ниско ниво на батерията или мигащо ниско ниво на батерията ⑦b е показано чрез индикатора за заряд на батерията, когато натискате бутона L; заредете батерията
    - ! след автоматичното изключване на инструмента не продължавайте да натискате спусъка, понеже може да се повреди акумулаторът**
- Комбиниран превключвател за включване/изключване и контрол на скоростта с копче за заключване ⑨ ⑩
  - първо отключете, като натиснете копчето A
  - включвайте апарата чрез натискане на спусък B
  - управлението на скоростта от нула до максималната стойност се извършва като натискате прекъсвача по-силно или по-слабо
  - изключете, като освободите спусъка B
- Копчето за заключване A може да бъде активирано ⑨
  - ако е активирано, превключвателят за включване/

изключване е блокиран и машината е обезопасена срещу неволно включване

- Поставяне на режещия острие <sup>11</sup>
  - ! **изваждайте батерията от инструмента преди всякакви регулировки или смяна на принадлежности**
  - завъртете фиксатора на острието С в същата посока, както стрелката D на инструмента и задръжте в тази позиция
  - вкарайте острието (със зъбците надолу или нагоре) до максимална дълбочина
  - отпуснете фиксатора на острието С
  - натиснете и дръпнете острието, за да проверите дали е поставено правилно
- Изваждане на острие <sup>11</sup>
  - ! **изваждайте батерията от инструмента преди всякакви регулировки или смяна на принадлежности**
  - завъртете фиксатора на острието С в същата посока, както стрелката D на инструмента и задръжте в тази позиция
  - издърпайте острието
  - отпуснете фиксатора на острието С
- Орбитално действие за бързо рязане <sup>12</sup>
  - за активиране на орбиталното действие на режещия елемент, използвайте прекъсвача N, както е показано на илюстрацията
  - ! **не активирайте орбиталното действие при рязане на метал**
- Работа с инструмента
  - ! **закрепете здраво обработвания детайл**
  - отбележете линията на рязане върху обработвания детайл
  - поставете батерия в инструмента
  - хванете инструмента с една ръка за дръжката E , а другата поставете върху изолираната цилиндрична ръкохватка F
  - включете инструмента
  - насочвайте инструмента по отбелязаната линия на рязане
  - притискайте опорна планка G към обработвания детайл за свеждане до минимум на противодействащата сила и вибрациите
- Държане и насочване на инструмента
  - ! **по време на работа, винаги дръжте уреда за оцветената(ите) в сиво зона(и) за хващане <sup>13</sup>**
  - оставяйте вентилационните отвори H непокрити
  - не прилагайте твърде голям натиск върху инструмента; нека той да свърши работата вместо вас
  - ! **проверете дали острието преминава изцяло през обработвания детайл <sup>14</sup>**
- Регулиране на ефективна дълбочината на рязане <sup>15</sup>
  - ! **изваждайте батерията от инструмента преди всякакви регулировки или смяна на принадлежности**
  - използвайте шестограмен ключ K за разхлабване и затягане на двата закрепващи болта J
  - плъзнете опорната пластина G напред/назад, за да увеличите/намалите ефективната дълбочина на рязане

## УКАЗАНИЯ ЗА РАБОТА

- Рязане на вътрешни прорези <sup>16</sup>
  - Нарези могат да се правят в дърво и други меки материали без предварително пробиване на отвор
  - използвайте дебело острие
  - ! **изваждайте батерията от инструмента преди всякакви регулировки или смяна на принадлежности**
  - поставете острието със зъбците нагоре
  - отбележете желаната линия на рязане върху обработвания детайл
  - наклонете инструмента така, че острието да не докосва обработвания детайл
  - включете инструмента и внимателно притиснете острието към обработвания детайл
  - след като острието проникне в обработвания детайл, продължете рязането по отбелязаната линия
  - ! **не правете нарязи в метални детайли**
- Използвайте подходящи режещи ленти <sup>17</sup>
- При рязане на метали смазвайте редовно режещата лента с машинно масло
- Рязане без разцепване
  - преди рязане покрийте линията на разреза с няколко слоя широка лепилна лента
  - лицевата страна на обработвания детайл винаги трябва да сочи надолу
- За повече информация вижте [www.skil.com](http://www.skil.com)

## ПОДДРЪЖКА / СЕРВИЗ

- Този инструмент не е предназначен за професионална употреба
- Винаги поддържайте инструмента чист (особено вентилационните отвори H <sup>2</sup>)
  - ! **извадете батерията от инструмента преди почистване**
- Ако въпреки прецизното производство и внимателно изпитване възникне повреда, инструмента да се занесе за ремонт в оторизиран сервиз за електроинструменти на SKIL
  - занесете инструмента **в неразглобен вид** заедно с доказателство за покупката му в търговския обект, откъдето сте го закупили, или в най-близкия сервиз на SKIL (адресите, както и схемата за сервизно обслужване на електроинструмента, можете да намерите на адрес [www.skil.com](http://www.skil.com))
- Имайте предвид, че повреда поради претоварване или неправилно манипулиране с инструмента ще бъдат изключени от гаранцията (за условията на гаранцията от SKIL виж на интернет адрес: [www.skil.com](http://www.skil.com) или попитайте вашия дилър)

## ОПАЗВАНЕ НА ОКОЛНАТА СРЕДА

- **Не изхвърляйте електроуредите, батерии, приспособленията и опаковките заедно с битови отпадъци** (само за страни от ЕС)
- съобразно Директивата на ЕС 2012/19/EG относно износени електрически и електронни уреди и отразяването ѝ в националното законодателство износените електроуреди следва да се събират отделно и да се предават за рециклиране според изискванията за опазване на околната среда

- за това указва символът Ⓢ тогава когато трябва да бъдат унищожени

! **преди да извърлите батерията, защитете изводите ѝ с дебела лепенка, за да няма опасност от възникване на късо съединение**

## ШУМ / ВИБРАЦИИ

- Измерено в съответствие с EN 62841, нивото на звуковото налягане на този инструмент е 85,0 dB(A), а нивото на звуковата мощност 96,0 dB(A) (неопределеност K = 5 dB), и вибрацията \* (триаксиална векторна сума; неопределеност K = 1,5 m/s<sup>2</sup>)
    - \* рязане на дъска 9,9 m/s<sup>2</sup>
    - \* рязане на дървена греда 9,5 m/c<sup>2</sup>
  - Нивото на предадените вибрации е измерено в съответствие със стандартизирания тест, определен в EN 62841; то може да се използва за сравнение на един инструмент с друг и като предварителна оценка на подлагането на вибрации при използването на инструмента за посочените приложения
    - използването на инструмента за различни от тези приложения или с други, или лошо поддържани аксесоари може значително **да повиши** нивото на което сте подложени
    - периодите от време, когато инструмента е изключен или съответно включен, но с него не се работи в момента могат значително **да намалат** нивото на което сте подложени
- ! **предпазвайте се от ефектите от вибрациите, като поддържате инструмента и аксесоарите му, пазите ръцете си топли и организирате вашите модели на работа**

SK

## Bezdrôtová bezkefová vratná 3480 píla

### ÚVOD

- Toto náradie je určené pre rezanie dreva, plastov, kovov a stavebných materiálov ako aj pre prerezávanie a úpravu stromov; je vhodné pre priame a zakrivené rezy
- Tento nástroj nie je vhodný pre profesionálne použitie
- Prečítajte a uschovajte tento návod na použitie ③

## TECHNICKÉ ÚDAJE ①

### ČASTI NÁSTROJA ②

- A Uzamykací krúžok
- B Prepínač zapnúť/vypnúť a regulácia rýchlosti
- C Svorka listu píly
- D Šípka
- E Rukoväť
- F Držadlo bubna
- G Nastaviteľná základná platňa
- H Vetracie štrbiny
- J Upevňovacie skrutky
- K Imbusový kľúč
- L Indikátor nabitia akumulátora
- M LED-Kontrolka
- N Prepnite na rotujúci chod

## BEZPEČNOSŤ

### VŠEOBECNÉ BEZPEČNOSTNÉ UPOZORNENIA TÝKAJÚCE SA ELEKTRICKÉHO NÁRADIA

⚠ **VÝSTRAHA** Prečítajte si všetky bezpečnostné výstrahy, pokyny, ilustrácie a technické údaje, ktoré sú dodané s týmto elektrickým nástrojom. Nedodržanie všetkých nižšie uvedených pokynov môže viesť k poraneniu elektrickým prúdom, požiaru a/alebo vážnemu poraneniu.

**Všetky upozornenia a pokyny si odložte na ďalšie použitie.**

Pojem „elektrické náradie“ používaný v nasledujúcom texte sa vzťahuje na ručné elektrické náradie napájané zo siete (s prírodnou šnúrou) a na ručné elektrické náradie napájané akumulátorovou batériou (bez prírodnej šnúry).

- 1) **BEZPEČNOSŤ NA PRACOVISKU**
  - a) **Udržiavajte svoje pracovisko čisté a upratané.** Neporiadok na pracovisku alebo neosvetlené časti pracoviska môžu viesť k úrazom.
  - b) **Nepracujte elektrickým náradím v prostredí ohrozenom výbuchom, v ktorom sa nachádzajú horľavé kvapaliny, plyny alebo prach.** Elektrické náradie produkuje iskry, ktoré môžu prach alebo pary zapáliť.
  - c) **Deti a iné osoby udržiavajte počas práce od ručného elektrického náradia v dostatočnej vzdialenosti.** V prípade odpútania Vašej pozornosti by ste mohli stratiť kontrolu nad náradím.
- 2) **ELEKTRICKÁ BEZPEČNOSŤ**
  - a) **Zástrčka prírodnej šnúry sa musí hodiť do napájacej zásuvky. Zástrčka sa v žiadnom prípade nesmie meniť. Pri uzemnených spotrebičoch nepoužívajte spolu s nimi žiadne adaptéry.** Nezmenená zástrčka a vhodná zásuvka znižujú riziko zásahu elektrickým prúdom.
  - b) **Vyhýbajte sa telesnému kontaktu s povrchovými plochami uzemnených spotrebičov, ako sú elektrické rúry, vyhrievacie telesá, sporáky a chladničky.** Keď je Vaše telo uzemnené, riziko zásahu elektrickým prúdom je vyššie.
  - c) **Chráňte ručné elektrické náradie pred dažďom a vlhkom.** Vniknutie vody do ručného elektrického náradia zvyšuje riziko zásahu elektrickým prúdom.
  - d) **Nepoužívajte prírodnú šnúru na prenášanie náradia, na jeho vešanie, ani za ňu nevyťahujte zástrčku zo zásuvky. Prírodnú šnúru chráňte pred horúčavou, olejom, ostrými hranami alebo pohybujuúcimi sa časťami náradia.** Poškodené alebo zauzlené šnúry zvyšujú riziko zásahu elektrickým prúdom.
  - e) **Ak pracujete s ručným elektrickým náradím vonku, používajte len také predĺžovacie šnúry, ktoré sú schválené pre používanie vo vonkajších priestoroch.** Použitie predĺžovacej šnúry určenej do vonkajšieho prostredia znižuje riziko zásahu elektrickým prúdom.
  - f) **Ak sa nedá vyhnúť použitiu ručného elektrického náradia vo vlhkom prostredí, použite prerušovač uzemňovacieho obvodu.** Používanie prerušovača uzemňovacieho obvodu znižuje riziko zásahu elektrickým prúdom.

### 3) BEZPEČNOSŤ OSÔB

- a) **Bud'te pozorní, dávajte pozor na to, čo robíte a k práci s elektrickým náradím pristupujte rozumne. Nepoužívajte elektrické náradie, keď ste unavení alebo keď ste pod vplyvom drog, alkoholu alebo liekov.** Chvíľa nepozornosti pri používaní náradia môže viesť k vážnym poraneniam.
  - b) **Noste osobné ochranné pomôcky, ochranný odev a vždy majte nasadené ochranné okuliare.** Nosenie pracovného odevu a používanie ochranných pomôcok ako ochrannej dýchacej masky, bezpečnostných protišmykových topánok, prilby alebo chrániča sluchu, podľa druhu elektrického náradia, znižuje riziko poranenia.
  - c) **Vyhýbajte sa neúmyselnému uvedeniu ručného elektrického náradia do činnosti. Pred zasunutím zástrčky do zásuvky a/alebo pred pripojením akumulátora, pred chytením alebo pripojením ručného elektrického náradia sa vždy presvedčte sa, či je ručné elektrické náradie vypnuté.** Ak budete mať pri prenášaní ručného elektrického náradia prst na vypínači, alebo ak ručné elektrické náradie pripojíte na elektrickú sieť zapnutú, môže to mať za následok nehodu.
  - d) **Skôr ako ručné elektrické náradie zapnete, odstráňte nastavovacie a montážne nástroje.** Nástroj alebo kľúč, ktorý sa nachádza v pohyblivej časti náradia, môže spôsobiť poranenie.
  - e) **Neprečeňujte sa. Zabezpečte si pevný postoj a neprestajne udržiavajte rovnováhu.** Takto budete môcť ručné elektrické náradie v neočakávaných situáciách lepšie kontrolovať.
  - f) **Pri práci noste vhodný pracovný odev. Nenoste široké odevy a nemajte na sebe šperky. Vyvarujte sa toho, aby sa vaše vlasy a odev dostali do blízkosti pohyblivých častí.** Voľný odev, dlhé vlasy alebo šperky môžu byť zachytené rotujúcimi časťami ručného elektrického náradia.
  - g) **Ak možno namontovať zariadenie na odsávanie alebo zachytávanie prachu, presvedčte sa, či je pripojené a správne používané.** Používanie odsávacieho zariadenia a zariadenia na zachytávanie prachu znižuje riziko ohrozenia zdravia prachom.
  - h) **Nepodliehajte falošnému pocitu istoty získanej z častého používania náradia a nekonajte v rozpore s princípmi bezpečného používania náradia.** Nepozorná práca môže v priebehu zlomkov sekundy viesť k ťažkému poraneniu.
- ### 4) STAROSTLIVÉ ZAOBCHÁDZANIE S ELEKTRICKÝM NÁRADÍM A JEHO POUŽÍVANIE
- a) **Náradie nepreťažujte. Pre svoju prácu používajte určené elektrické náradie.** Pomocou vhodného ručného elektrického náradia budete môcť v uvedenom rozsahu výkonu pracovať lepšie a bezpečnejšie.
  - b) **Nepoužívajte žiadne ručné elektrické náradie, ktoré má pokazený vypínač.** Ručné elektrické náradie, ktoré sa už nedá zapínať alebo vypínať, je nebezpečné a treba ho dať opraviť.
  - c) **Skôr ako začnete náradie nastavovať alebo prestavovať, vymieňať príslušenstvo alebo ako odložiť náradie, vždy vytiahnite koncovku sieťovej šnúry zo zásuvky a/alebo vyberte akumulátor, ak sa dá vybrať.** Toto preventívne opatrenie zabraňuje neúmyselnému spusteniu ručného elektrického náradia.

- d) **Nepoužívané ručné elektrické náradie uschovávajte mimo dosahu detí. Nedopustíte, aby ručné elektrické náradie používali osoby, ktoré s ním nie sú dôkladne oboznámené, alebo ktoré si neprečítali tento Návod na používanie.** Ak ručné elektrické náradie používajú neskúsené osoby, stáva sa nebezpečným nástrojom.
  - e) **Ručné elektrické náradie a príslušenstvo starostlivo ošetrujte.** Skontrolujte, či pohyblivé súčiastky náradia bezchybne fungujú a neblokujú a či nie sú zlomené alebo poškodené niektoré súčiastky, ktoré by mohli negatívne ovplyvniť fungovanie ručného elektrického náradia. **Pred použitím ručného elektrického náradia dajte poškodené súčiastky opraviť.** Nejednen úraz bol spôsobený zle udržiavaným náradím.
  - f) **Používané nástroje udržiavajte ostré a čisté.** Starostlivo ošetrované nástroje s ostrými reznými hranami sa menej často zablokujú a ich vedenie je podstatne ľahšie.
  - g) **Používajte ručné elektrické náradie, príslušenstvo, pracovné nástroje a pod. podľa týchto pokynov. Zohľadnite pritom konkrétne pracovné podmienky a činnosť, ktorú máte vykonať.** Používanie ručného elektrického náradia na iné ako určené účely môže viesť k nebezpečným situáciám.
  - h) **Rukoväti a úchopové povrchy udržiavajte suché, čisté a bez oleja alebo mazacieho tuku.** Šmykľavé rukoväti a úchopové povrchy neumožňujú bezpečnú manipuláciu a ovládanie náradia v neočakávaných situáciách.
- ### 5) STAROSTLIVÉ ZAOBCHÁDZANIE S ELEKTRICKÝM NÁRADÍM NAPÁJANÝM AKUMULÁTOROM A JEHO POUŽÍVANIE
- a) **Akumulátory nabíjajte len v takých nabíjačkách, ktoré odporúča výrobca.** Ak nabíjate nabíjačkou určenou pre určitý druh akumulátorov iné akumulátory, hrozí nebezpečenstvo požiaru.
  - b) **Do ručného elektrického náradia používajte len určené akumulátory.** Používanie iných akumulátorov môže mať za následok poranenie, alebo môže spôsobiť vznik požiaru.
  - c) **Keď akumulátor nepoužívate, zabezpečte, aby sa nemohol dostať do styku s kancelárskymi sponami, mincami, kľúčmi, klincami, skrutkami alebo inými drobnými predmetmi, ktoré by mohli spôsobiť premostenie kontaktov.** Skrat medzi kontaktmi akumulátora môže spôsobiť popálenie alebo požiar.
  - d) **Ak sa akumulátor používa nevhodne, môže z neho unikať kvapalina. Vyhýbajte sa kontaktu s ňou. V prípade náhodného kontaktu umyte postihnuté miesto vodou. Ak sa dostane akumulátorová kvapalina do očí, vyhľadajte okrem toho aj lekársku pomoc.** Vytekájúca kvapalina môže spôsobiť podráždenie pokožky alebo popálenie.
  - e) **Nepoužívajte poškodený alebo upravovaný akumulátor alebo náradie.** Poškodené alebo upravované akumulátory môžu neočakávane reagovať a spôsobiť požiar, výbuch alebo zranenie.
  - f) **Akumulátory alebo náradie nevhádzajte do ohňa alebo nevystavujte nadmerným teplotám.** Vystavenie pôsobeniu ohňa alebo teploty nad 130°C môže spôsobiť výbuch.
  - g) **Dodržujte pokyny na nabíjanie a akumulátory alebo náradie nenabíjajte mimo teplotného rozsahu**

uvedeného vpokynoch. Nesprávne nabíjanie alebo teploty mimo špecifikovaného rozsahu môžu poškodiť akumulátor a zvýšiť riziko požiaru.

## 6) SERVIS

- Ručné elektrické náradie zverte do opravy len kvalifikovanému personálu a používajte len originálne náhradné súčiastky.** Tým sa zabezpečí zachovanie bezpečnosti ručného elektrického náradia.
- Nikdy neopravujte poškodené akumulátory.** Akumulátory môže opravovať len výrobca alebo autorizovaný servis.

## BEZPEČNOSTNÉ POKYNY PRE AKUMULÁTOROVÉ VRATNÉ PÍLY

- Elektrické náradie držte za izolované plochy rukovätí pri vykonávaní takej práce, pri ktorej by mohol nástroj natrafiť na skryté elektrické vedenia** (kontakt rezacieho príslušenstva s vedením, ktoré je pod napätím, môže spôsobiť, že aj kovové súčiastky náradia sa dostanú pod napätie, čo môže spôsobiť zásah operátora elektrickým prúdom)
- Obrábaný predmet upevnite svorkami alebo iným praktickým spôsobom k stabilnému podstavcu** (obrábaný predmet nedržte iba v rukách ani oproti telu, pretože tak nemôžete zabezpečiť jeho stabilitu a môže sa vám vymknúť spod kontroly)

## PRÍSLUŠENSTVO

- SKIL zabezpečí hladký chod nástroja len ak sa používa pôvodné príslušenstvo
- Používajte iba príslušenstvo, u ktorého hodnota prípustných obrátok zodpovedá minimálne najvyšším obrátkam náradia

## PRED POUŽITÍM

- Zabráňte poškodeniu náradia skrutkami, klincami a inými kovovými predmetmi v obrobk; zoberte ich dole prv než začnete pracovať
- Na vyhľadanie skrytých elektrických vedení, plynových a vodovodných potrubí použite vhodné hľadacie prístroje, alebo sa spojte s príslušným dodávateľom** (kontakt s elektrickým vedením môže mať za následok vznik požiaru alebo spôsobiť zásah elektrickým prúdom; poškodenie plynového potrubia môže spôsobiť výbuch; prevítanie vodovodného potrubia spôsobí vecné škody, alebo môže spôsobiť zásah elektrickým prúdom)

## BEZPEČNOSŤ OSÔB

- Tento nástroj by nemali používať osoby mladšie ako 16 rokov
- Neobrábajte materiál, ktorý obsahuje azbest** (azbest sa považuje za rakovinotvorný materiál)
- Prach z materiálu, akým je náter obsahujúci olovo, niektoré druhy dreva, minerály a kovy môže byť škodlivý (styk alebo nadýchanie prachu môže spôsobiť alergické reakcie a/alebo respiračné ochorenia obsluhy a okolostojacich osôb); **používajte ochrannú masku tváre a pracujte so zariadením na odsávanie prachu, ak je takéto zariadenie možné pripojiť**
- Určité druhy prachu sú klasifikované ako karcinogénne (akým drevom a bukovým prachom), a to hlavne v spojení s prísadami pre úpravu dreva; **používajte ochrannú masku tváre a pracujte so zariadením na odsávanie prachu, ak je takéto zariadenie možné pripojiť**
- Dodržiujte stanovené nariadenia pre prácu v prašnom prostredí

- Dbajte na to, aby ruky boli v dostatočnej vzdialenosti od miesta rezu i ostria, druhú ruku majte na držadle bubna F** (ak obe ruky držia pílu, kotúč vás nemôže porezať)
- Nepokúste sa chytiť opracovaný predmet zospodu** (nedá sa vidieť, či sa druhá ruka nenachádza pri ostri)
- Nikdy nedržte opracovaný predmet v rukách alebo na nohách** (dôležité je ho pevne pripevniť aby sa telo čo najviac chránilo pred uviaznutím kotúča alebo stratou kontroly)
- Nepoužívajte tupé alebo poškodené kotúče** (ohnuté ostrie sa ľahko zlomí alebo spôsobí spätný vrh)
- Pri odstraňovaní listu z náradia používajte ochranné rukavice** (po dlhšej činnosti môže byť list píly horúci)
- Používajte ochranné okuliare a tlmiče hluku na uši

## BATÉRIÍ

- Dodaná akumulátorová batéria je čiastočne nabitá** (na zaručenie úplnej kapacity batérie ju pred prvým používaním nástroja úplne nabite v nabíjačke)
- S týmto nástrojom používajte len nasledujúce batérie a nabíjačky**
  - Batéria SKIL: BR1\*31\*\*\*\*
  - Nabíjačka SKIL: CR1\*31\*\*\*\*
- Nepoužívajte batériu, keď je poškodená; mala by sa vymeniť
- Batériu nerozoberajte
- Nástroj ani batériu nevystavujte dažďu
- Povolená teplota okolia (nástroj/nabíjačka/akumulátor):
  - pri nabíjaní 4...40°C
  - pri prevádzke -20...+50°C
  - pri skladovaní -20...+50°C

## VYSVETLENIE SYMBOLOV UMIESŤENÝCH NA NÁSTROJI/AKUMULÁTORE

- Pred použitím si prečítajte návod na obsluhu
- Batérie po vhození do ohňa vybuchnú a preto batériu zo žiadneho dôvodu do ohňa nevhadzujte
- Nástroj, nabíjačku a batériu skladujte na miestach, kde teplota neprekročí 50°C
- Nevhadzujte elektrické náradie a batérie do komunálneho odpadu

## POUŽITIE

- Nabíjanie batérie  
**! prečítajte si bezpečnostné výstrahy a pokyny dodané s nabíjačkou**
- Vybratie/vloženie batérie ②
- Indikátor nabitia akumulátora ⑦
  - Stlačením tlačidla indikátora úrovne nabitia batérie L zobrazíte aktuálnu úroveň nabitia batérie ⑦a
  - ! Keď' po stlačení tlačidla L ⑦b začne blikať indikátor najnižšej úrovne nabitia batérie, znamená to, že batéria je prázdna**
  - ! Keď' začne blikať indikátor úrovne nabitia batérie 2 po stlačení tlačidla L ⑦c, znamená to, že batéria nemá povolený rozsah prevádzkových teplôt**
- LED-kontrolka ⑧
  - LED kontrolka sa automaticky rozsvieti po stlačení vypínača
  - ! Keď' začne LED kontrolka blikať, aktivuje sa ochrana batérie (pozri nižšie)**
- Ochrana batérie
  - Nástroj sa náhle vypína alebo sa nedá zapnúť v prípade, že
    - záťaž je príliš vysoká --> odstráňte záťaž a reštartujte ho**

- **batería nemá povolený rozsah prevádzkových teplôt od -20 do +50 °C** --> indikátor úrovni nabitia batérie 2 začne po stlačení tlačidla L ⑦ c blikať; počkajte, kým teplota batérie znova neklesne do povoleného prevádzkového rozsahu
- **batería je takmer vybitá (v záujme zaistenia ochrany pred hlbokým vybitím)** --> batéria ukazuje nízku úroveň nabitia alebo indikátor nízkej úrovne nabitia batérie ⑦ b po stlačení tlačidla L bliká; batériu nabite
- ! **potom ako sa nástroj automaticky vypne, nestláčajte tlačidlo zapnúť/vypnúť, môže sa poškodiť batéria**

- Kombinovaný prepínač pre zapnutie/vypnutie a reguláciu rýchlosti so zaistovacím kolieskom ⑨ ⑩
  - najskôr odoblokujte stlačením kolieska A
  - nástroj zapnite stlačením vypínača B
  - rýchlosť regulujte neprerušene od 0 do maxima tým, že vyvíjate menší alebo väčší tlak na spínač
  - vypite uvoľnením spúšťača B
- Zaistovacie koliesko A je možné aktivovať ⑨
  - ak je aktivované, vypínač je zablokovaný a zariadenie je zaistené pred náhodným zapnutím
- Montáž pilového kotúča ⑪

! **pred nastavením alebo výmenou príslušenstva alebo vždy vyťahnite batériu**

- otočte svorku listu C v rovnomak smere, ako je šípka D na nástroji a podržte ju v tejto polohe
- zasuňte list (zuby smerujú nadol alebo nahor) až na doraz
- uvoľnite svorku C
- zatlačte a zaťahajte za list a skontrolujte, či je umiestnený správne

- Vybratie listu píly ⑪

! **pred nastavením alebo výmenou príslušenstva alebo vždy vyťahnite batériu**

- otočte svorku listu C v rovnomak smere, ako je šípka D na nástroji a podržte ju v tejto polohe
- list vyťahnite
- uvoľnite svorku C

- Rotujúci chod pre rýchle rezanie ⑫

- pre aktiváciu rotujúceho chodu čepele píly prepnite N, ako je na obrázku

! **neaktivujte rotujúci chod pri rezaní kovu**

- Prevádzka nástroja

! **dôkladne upevnite obrobok**

- vyznačte na obrobku líniu rezu
- upevnite batériu na nástroj
- položte jednu ruku na rukoväť E a druhú na izolované držadlo bubna F
- zapnite nástroj
- ved'te náradie pozdĺž vyznačenej línie rezu
- základnú platňu G držte pevne na obrobku kvôli minimalizácii protipôsobiacej sily a vibrácií

- Držanie a vedenie nástroja

! **počas práce vždy držte nástroj v oblasti sivého držadla(iel) ⑬**

- vetracie štrbiny H udržiňte nezakryté
- na nástroje príliš netlačte; nechajte nástroje robiť prácu za Vás

! **skontrolujte, či list píly prečnieva za obrobkom cez posuv ⑭**

- Nastavenie účinnej hĺbky rezu ⑮

! **pred nastavením alebo výmenou príslušenstva alebo vždy vyťahnite batériu**

- použite šesťhranný kľúč K na povolenie a utiahnutie oboch upevňovacích skrutiek J
- posuňte základnú dosku G dopredu/dozadu, na zväčšenie/zmenšenie účinnej hĺbky rezu

## RADA NA POUŽITIE

- Zapichovacie rezanie ⑯

Zapichovacie rezy je možné vykonávať do dreva a ďalších mäkkých materiálov a nie je nutné dopredu vŕtať otvor

- použite hrubý list

! **pred nastavením alebo výmenou príslušenstva alebo vždy vyťahnite batériu**

- namontujte list tak, aby zuby smerovali nahor
- vyznačte na obrobku požadovanú líniu rezu
- náradie nakloňte tak, aby sa list nedotýkal obrobku
- náradie zapnite a opatrne posúvajte pohybujúci sa list píly do obrobku
- keď list prenikne do obrobku, pokračujte v rezaní pozdĺž vyznačenej línie rezu

! **zapichovacie rezy nie sú možné na kovových materiáloch**

- Použite vhodné pilové listy ⑰

- Pri rezaní kovov sa pilové listy musia pravidelne mazať olejom

- Rezanie bez rozštiepenia

- pred rezaním zakryte rezáciu čiaru niekoľkými vrstvami širokej pásky
- vždy položte rezaný materiál tak aby dobrá strana smerovala dole

- Ďalšie informácie nájdete na adrese [www.skil.com](http://www.skil.com)

## ÚDRŽBA / SERVIS

- Tento nástroj nie je vhodný pre profesionálne použitie
- Nástroj neustále udržiajte čistý (najmä vetracie štrbiny H ②)

! **pred čistením vyberte akumulátor z nástroja**

- Ak by nástroj napriek starostlivej výrobe a kontrole predsa len prestal niekedy fungovať, treba dať opravu vykonať autorizovanej servisnej opravovni elektrického náradia SKIL

- pošlite nástroj **bez rozmontovania** spolu s dôkazom o kúpe; vášmu dílerovi alebo do najbližšieho servisného strediska SKIL (zoznam adries servisných stredísk a servisný diagram nástroja sú uvedené na [www.skil.com](http://www.skil.com))


- Uvedomte si, že poškodenie spôsobené preťažením alebo nesprávnym zaobchádzaním bude zo záruky vylúčené (záručné podmienky spoločnosti SKIL nájdete na stránke [www.skil.com](http://www.skil.com) alebo si ich vyžiadajte u svojho predajcu)

## ŽIVOTNÉ PROSTREDIE

- **Elektrické náradie, batérie, príslušenstvo a balenia nevyhadzujte do komunálneho odpadu** (len pre štáty EÚ)

- podľa európskej smernice 2012/19/EG o nakladaní s použitými elektrickými a elektronickými zariadeniami a zodpovedajúcich ustanovení právnych predpisov

jednotlivých krajín sa použité elektrické náradie musí zbierať oddelene od ostatného odpadu a podrobiť ekologicky šetrnej recyklácii

- pripomenie vám to symbol , keď ju bude treba likvidovať

! **pred likvidáciou ochráňte vývody batérie hrubou páskou, aby ste zabránili skratu**

## HLUK / VIBRÁCIE

- Hladina akustického tlaku nameraná v súlade s normou EN 62841 je 85,0 dB(A) a hladina akustického výkonu je 96,0 dB(A) (neistota K = 5 dB) a vibrácie \* (triaxový vektorový súčet; neistota K = 1,5 m/s<sup>2</sup>)

\* rezanie dosky 9,9 m/s<sup>2</sup>

\* rezanie dreveného brvna 9,5 m/s<sup>2</sup>


- Hladina emisií od vibrácií bola nameraná v súlade s normalizovaným testom uvedeným v norme EN 62841; môže sa používať na vzájomné porovnanie náradí a na predbežné posúdenie vystavenia účinkom vibrácií pri používaní náradia pre uvedené aplikácie
- používanie náradia na rôzne aplikácie, alebo v spojení s rôznymi alebo nedostatočne udržiavanými doplnkami môže značne **zvýšiť** úroveň vystavenia
- časové doby počas ktorých je je náradie vypnuté alebo počas ktorých náradie beží ale v skutočnosti nevykonáva prácu môžu značne **znižit'** úroveň vystavenia

! **chráňte sa pred účinkami vibrácií tak, že budete náradie a jeho príslušenstvo správne udržiavať, tak že nebudete pracovať so studenými rukami a tak že si svoje pracovné postupy správne zorganizujete**

HR

## Bežična povratna pila bez 4380 četikca

### UVOD

- Ovaj alat namijenjen za rezanje drva, plastike, metala i građevinskih materijala, kao i za podrezavanje drveća; primjerena je za ravne i zaobljene rezove
- Ovaj uređaj nije namijenjen profesionalnoj upotrebi
- Pažljivo pročitajte i sačuvajte ove upute za rukovanje 


### TEHNIČKI PODACI

### DIJELOVI ALATA

- A Gumb za blokiranje
- B Prekidač za uključivanje/isključivanje i za kontrolu brzine
- C Hvataljka oštrice
- D Strelica
- E Drška
- F Držak
- G Ugodiva osnova
- H Otvori za strujanje zraka
- J Svornjaki za pričvršćenje
- K Šesterokutni ključ
- L Pokazivač stanja napunjenosti baterije
- M LED lampica
- N Prebacite na orbitalni rad

## SIGURNOST

### OPĆA SIGURNOSNA UPOZORENJA ZA ELEKTRIČNE ALATE

 **UPOZORENJE** Pročitajte sva sigurnosna upozorenja, upute, ilustracije i specifikacije isporučene s ovim električnim alatom. Zbog nepridržavanja svih uputa koje su navedene u nastavku može doći do nastanka strujnog udara, požara i/ili teške ozljede.

**Sva upozorenja i upute sačuvajte kao referencu za buduće upotrebe.**

U daljnjem tekstu korišten pojam "električni alat" odnosi se na električne alate s priključkom na električnu mrežu (s mrežnim kablom) i na električne alate s napajanjem iz aku baterije (bez mrežnog kabela).

#### 1) SIGURNOST NA RADNOM MJESTU

- a) **Vaše radno područje održavajte čisto i uredno.** Nered ili neosvijetljeno radno područje mogu doći do nezgoda.
- b) **S uređajem ne radite u okolini ugroženoj eksplozijom, u kojoj se nalaze zapaljive tekućine, plinovi ili prašina.** Električni alati proizvode iskre koje mogu zapaliti prašinu ili pare.
- c) **Djecu i ostale osobe držite dalje tijekom korištenja električnog alata.** Ako bi skrenuli pozornost sa posla mogli bi izgubiti kontrolu nad uređajem.

#### 2) ELEKTRIČNA SIGURNOST

- a) **Priključni utikač uređaja treba odgovarati utičnici.** Na utikače se ni u kojem slučaju ne smiju izvoditi izmjene. Ne koristite adapterske utikače zajedno sa uređajima koji su zaštićeni uzemljenjem. Originalni utikač i odgovarajuće utičnice smanjuju opasnost od električnog udara.
- b) **Izbjegavajte dodir tijela s uzemljenim površinama kao što su cijevi, centralno grijanje, štednjaci i hladnjaci.** Postoji povećana opasnost od električnog udara ako je vaše tijelo uzemljeno.
- c) **Držite uređaj dalje od kiše ili vlage.** Prodiranje vode u električni uređaj povećava opasnost od električnog udara.
- d) **Priključni kabel ne koristite za nošenje, vješanje ili za izvlačenje utikača iz utičnice.** Držite kabel dalje od izvora topline, ulja, oštih rubova ili pomičnih dijelova uređaja. Oštećen ili usukan kabel povećava opasnost od električnog udara.
- e) **Ako s električnim uređajem radite na otvorenom, koristite samo produžni kabel odobren za uporabu na otvorenom.** Primjena produžnog kabela prikladnog za uporabu na otvorenom smanjuje opasnost od električnog udara.
- f) **Ako se ne može izbjeći uporaba električnog alata u vlažnoj okolini, upotrijebite sigurnosna sklopka za propuštanje u zemlju.** Upotrebom sigurnosne sklopke za propuštanje u zemlju smanjuje se opasnost od električnog udara.

#### 3) SIGURNOST LJUDI

- a) **Budite oprezni, pazite što činite i postupajte razumno kod rada s električnim alatom. Ne koristite uređaj ako ste umorni ili pod utjecajem opojnih sredstava, alkohola ili lijekova.** Trenutak nepažnje kod uporabe uređaja može doći do ozbiljnih ozljeda.

- b) **Nosite sredstva osobne zaštite i uvijek zaštitne naočale.** Nošenje sredstava osobne zaštite, kao što je zaštitna maska, sigurnosne cipele koje ne klize, zaštitne kacige ili štitnika za sluh, ovisno od vrste i primjene električnog alata, smanjuje opasnost od nezgoda.
- c) **Izbjegavajte nehotično puštanje u rad. Prije nego što ćete utaknuti utikač u utičnicu i/ili staviti aku-bateriju, provjerite je li električni alat isključen.** Ako kod nošenja električnog alata imate prst na prekidaču ili se uključen uređaj priključi na električno napajanje, to može dovesti do nezgoda.
- d) **Prije nego što uređaj uključite, uklonite alate za podešavanje ili vijčane ključeve.** Alat ili ključ koji se nalazi u rotirajućem dijelu uređaja može doći do nezgoda.
- e) **Ne precijenjujte svoje sposobnosti. Zauzmite sigurnu i stabilan položaj tijela i držite u svakom trenutku ravnotežu.** Na taj način možete uređaj bolje kontrolirati u neočekivanim situacijama.
- f) **Nosite prikladnu odjeću. Ne nosite široku odjeću ili nakit. Kosu i odjeću držite dalje od pomičnih dijelova.** Široku odjeću, dugu kosu ili nakit mogu zahvatiti pomični dijelovi.
- g) **Ako se mogu montirati naprave za usisavanje i hvatanje prašine, provjerite da li su iste priključene i da li se pravilno koriste.** Primjena naprave za usisavanje može smanjiti ugroženost od prašine.
- h) **Nemojte postati previše bezbrižni i zanemariti sigurnosne upute zato što alat često upotrebljavate i smatrate da ste ga dobro poznali.** Samo jedan trenutak nepažnje dovoljan je za nastanak ozbiljnih ozljeda.
- 4) BRIŽLJIVA UPORABA ELEKTRIČNIH ALATA**
- a) **Ne preopterećujte uređaj. Koristite za vaše radove za to predviđen električni alat.** S odgovarajućim električnim alatom radit ćete bolje i sigurnije, u navedenom području učinka.
- b) **Ne koristite električni alat čiji je prekidač neispravan.** Električni alat koji se više ne može uključiti ili isključiti, opasan je i treba se popraviti.
- c) **Alat prije podešavanja, izmjene pribora i odlaganja isključite iz izvora napajanja i/ili izvadite komplet baterije, ako se vadi iz uređaja.** Ovim mjerama opreza izbjeći će se nehotično uključivanje električnog alata.
- d) **Nekorištene električne alate spremite izvan doseg djece. Ne dopustite da uređaj koriste osobe koje s njim nisu upoznate ili koje nisu pročitale upute za uporabu.** Električni alati su opasni ako ih koriste neiskusne osobe.
- e) **Redovno održavajte električne alate i pribor. Kontrolirajte da li pomični dijelovi uređaja besprijekorno rade i da nisu zaglavljani, te da li su dijelovi polomljeni ili tako oštećeni da negativno djeluju na funkciju uređaja. Popravite oštećene dijelove prije uporabe uređaja.** Mnoge nezgode imaju svoj uzrok u loše održavanim uređajima.
- f) **Rezne alate održavajte ostrim i čistim.** Pažljivo održavani rezni alati s ostrim oštricama neće se zaglaviti i lakši su za vođenje.
- g) **Koristite električne alate, pribor, radne alate, itd., prema navedenim uputama. Pri tome uzmite u obzir radne uvjete i radove koje se izvode.** Uporaba električnih alata za neke druge primjene različite od predviđenih, može doći do opasnih situacija.
- h) **Drške i zahvatne površine održavajte suhima,**

čistima i pazite da na njih ne dospiju ulje ili mast. Skliske drške i zahvatne površine onemogućuju sigurno rukovanje i alat se teško kontrolira u neočekivanim situacijama.

**5) BRIŽLJIVA UPORABA AKUMULATORSKIH UREĐAJA**

- a) **Aku-baterije punite samo s punjačima koje preporučuje proizvođač.** Punjač koji je prikladan za jednu određenu vrstu aku-baterije, postoji opasnost od požara ako bi se koristio s nekom drugom aku-baterijom.
- b) **Koristite isključivo samo aku-baterije koje su za određene električne alate predviđene.** Uporaba neke druge aku-baterije može doći do ozljeda i opasnosti od požara.
- c) **Nekorištenu aku-bateriju držite dalje od uredskih spajalica, kovanica, ključeva, čavala, vijaka ili drugih sitnih metalnih predmeta koji bi mogli prouzročiti premošćenje, kontakata.** Kratki spoj između kontakata aku-baterije može doći do opekлина ili do požara.
- d) **Kod pogrešne primjene aku-baterije tekućina može iz nje isteći. Izbjegavajte dodir s ovom tekućinom. Kod slučajnog dodira s tekućinom, odmah s vodom isprati. Ako bi tekućina dospjela u oči, odmah zatražite liječničku pomoć.** Istekla tekućina može doći do nadražaja kože ili opekлина.
- e) **Ne upotrebljavajte oštećene ili izmijenjene komplete baterija ni alate.** Oštećene ili izmijenjene baterije podložne su nepredvidivom ponašanju i mogu uzrokovati požar, eksploziju ili ozljede.
- f) **Držite alat i komplet baterija dalje od vatre i visokih temperatura.** Izlaganje vatri ili temperaturi višoj od 130°C može uzrokovati eksploziju.
- g) **Požustite sve upute za punjenje i komplet baterija i alat ne punite pri temperaturama izvan vrijednosti koje su propisane i navedene u uputama.** Nepravilno punjenje ili punjenje pri temperaturama višim od propisanih može oštetiti bateriju i povećati opasnost od požara.
- 6) SERVISIRANJE**
- a) **Popravak uređaja prepustite samo kvalificiranom stručnom osoblju i samo s originalnim rezervnim dijelovima.** Na taj će se način postići održanje stalne sigurnosti uređaja.
- b) **Nikada ne servisirajte oštećene komplete baterija.** Servisiranje kompleta baterija smiju obavljati isključivo proizvođači i ovlašteni serviseri.

**UPUTE ZA SIGURAN RAD S BEŽIČNE KLIPNE PILE**

- Kada izvodite neku radnju gdje rezni pribor može dotaknuti skriveno ožičenje, pridržavajte električni alat po izoliranim zahvatnim površinama (rezni pribor u kontaktu sa žicom pod naponom može izložene metalne dijelove električnog alata također staviti pod napon, zbog čega rukovatelj može doživjeti strujni udar)
- Koristite stezaljke ili drugi praktičan način za učvršćenje i potporu izratka na stabilnoj platformi (držanje rada rukom ili njegovo naslanjanje na tijelo čini ga nestabilnim i može dovesti do gubitka kontrole)

**PRIBOR**

- SKIL može osigurati besprijekoran rad uređaja samo ako se koristi originalni pribor
- Upotrebljavajte pribor čija dopuštena brzina odgovara najvećoj brzini alata u praznom hodu



## PRIJE UPORABE

- Izbjegavajte oštećenja od vijaka, čavala i sličnih predmeta na vašem izradku; prije početka rada ih izvadite
- **Koristite prikladne uređaje za traženje napona kako bi se pronašli skriveni napojni vodovi ili se savjetuje s lokalnim distributerom** (kontakt s električnim vodovima mogao bi doći do požara i električnog udara; oštećenje plinske cijevi moglo bi dovesti do eksplozije; probijanje vodovodne cijevi uzrokuje materijalne štete ili može uzrokovati električni udar)

## SIGURNOST LJUDI

- Uređaj ne bi smjele koristiti osobe mlađe od 16 godina
- **Ne obrađujte materijal koji sadrži azbest** (azbest se smatra kancerogenim)
- Prašina od materijala kao što su boje koje sadrže olovo, neke vrste drveća, minerali i metal mogu biti opasne (dodir s prašinom ili njeno udisanje mogu prouzročiti alergične reakcije i/ili respiratorna oboljenja rukovatelja ili posmatrača); **nosite masku za zaštitu od prašine i radite s uređajem za ekstrakciju prašine ukoliko ga možete priključiti**
- Određene vrste prašine klasificiraju se kao karcinogenske (kao što su prašina hrastovine i bukovine), osobito u sudejstvu s aditivima za kondicioniranje drveta; **nosite masku za zaštitu od prašine i radite s uređajem za ekstrakciju prašine ukoliko ga možete priključiti**
- Nacionalni uvjeti za materijale s kojima želite raditi
- **Ruke držite podalje od područja rezanja i oštrice; drugu ruku držite na dršku F ②** (ako se obim rukama drži pila, tada se na njoj ne možete porezati)
- **Ne stavljati ruke ispod izratka** (udaljenost oštrice od vaše ruke nije vidljiva)
- **Nikada ne držati izradak koji se pili rukama ili preko nogu** (važno je da se izradak pravilno osloni, kako bi se smanjilo izlaganje tijela, uklještenje lista pile, ili gubitak kontrole)
- **Ne koristiti tupe ili oštećene listove pile** (savijene se oštrice lako lome ili uzrokuju povratni udarac)
- **Koristite zaštitne rukavice prije uklanjanja oštrice s alata** (oštrica pile može se ugrijeti nakon dulje uporabe)
- Nositi zaštitne naočale i štitnike za sluh

## AKU-BATERIJE

- **Isporučena je baterija djelomično napunjena** (da biste zajamčili potpuni kapacitet baterije, bateriju u potpunosti napunite punjačem prije prve uporabe električnog alata)
- **S ovim alatom rabite samo sljedeće baterije i punjače**
  - Baterija marke SKIL: BR1\*31\*\*\*\*
  - Punjač marke SKIL: CR1\*31\*\*\*\*
- Ne rabite bateriju kada je oštećena; treba je zamijeniti
- Ne rastavljajte bateriju
- Ne izlažite kiši alat/bateriju
- Dopuštena okolišna temperatura (uređaj/punjač/baterija):
  - kod punjenja 4...40°C
  - tijekom rada -20...+50°C
  - kod skladištenja -20...+50°C

## POJAŠNENJE SIMBOLA NA UREĐAJU/BATERIJI

- ③ Prije upotrebe pročitajte korisnički priručnik
- ④ U dodiru s vatrom baterije će eksplodirati, stoga ne spaljujte bateriju iz bilo kojih razloga
- ⑤ Uređaj/punjač/bateriju spremajte uvijek kod temperatura prostorije nižih od 50°C
- ⑥ Ne bacajte električne alate i baterij u kućni otpad

## POSLUŽIVANJE

- Punjenje aku-baterije
  - ! **pročitajte sigurnosna upozorenja i upute isporučene s punjačem**
  - Uklanjanje/ugradnja baterije ②
  - Pokazivač stanja napunjenosti baterije ⑦
    - pritisnite gumb pokazivača razine napunjenosti baterije L radi prikaza aktualne razine napunjenosti baterije ⑦a
    - ! **kada najniža razina baterije započne bljeskati nakon pritiska gumba L ⑦b, baterija je prazna i kada 2 razine pokazivača baterije započnu bljeskati nakon pritiska gumba L ⑦c, baterija nije unutar dopuštenog radnog temperaturnog raspona**
  - Lampica LED ⑧
    - svjetlo LED automatski se pali pri aktivaciji prekidača za uključivanje/isključivanje
    - ! **kada započne treperenje svjetla LED, aktivira se zaštita baterije (pogledajte ispod)**
  - Zaštita baterije
    - Uređaj se iznenadno isključuje ili ne može uključiti, kada je
      - **opterećenje previsoko** --> uklonite opterećenje i ponovno pokrenite
      - **temperatura baterije nije unutar dopuštenog radnog temperaturnog raspona od -20 do +50 °C** --> 2 razine pokazivača razine baterije počinju bljeskati pri pritiskanju gumba L ⑦c; pričekajte dok se baterija ne vrati unutar dopuštenog radnog temperaturnog raspona
      - **baterija je gotovo prazna (za zaštitu od potpunog praznjenja)** --> niska razina baterije ili bljeskajuća niska razina baterije ⑦b pokazuje se putem pokazivača stanja napunjenosti baterije pri pritiskanju gumba L; napunite bateriju
      - ! **nemojte dalje pritisnuti prekidač za uključivanje/isključivanje nakon što se alat automatski isključuje; time možete oštetiti bateriju**
  - Kombinirani prekidač za uključivanje/isključivanje i kontrolu brzine s ručicom za zaključavanje ⑨ ⑩
    - prvo otključajte pritiskom ručice A
    - uređaj uključite povlačenjem prekidača B
    - većim ili manjim pritiskom na prekidač, brzina se može postupnjevitog regulirati od nule do maksimalnog broja okretaja
    - isključite otpuštanjem prekidača B
  - Ručica za zaključavanje A može se aktivirati ⑨
    - ako se aktivira, blokira se prekidač za uključivanje/isključivanje i stroj je osiguran od slučajnog pokretanja
  - Montiranje lista pile ⑪
    - ! **bateriju uklonite iz alata prije ugađanja ili mijenjanja alata**
    - okrećite hvataljku oštrice C u smjeru strelice D naznačene na uređaju i zadržite je u tom položaju
    - umetnite oštricu (zubima okrenutim prema dolje ili gore)
    - otpustite hvataljku oštrice C
    - pritisnite i povucite oštricu da biste provjerili je li oštrica ispravno umetnuta
  - Vađenje oštrice pile ⑪
    - ! **bateriju uklonite iz alata prije ugađanja ili mijenjanja alata**
    - okrećite hvataljku oštrice C u smjeru strelice D naznačene na uređaju i zadržite je u tom položaju

- izvucite oštricu
- otpustite hvataljku oštrice C
- Orbitalni rad za brzo rezanje ⑫
  - orbitalni rad pile aktivirajte sklopom N kao na prikazu
  - ! **nemojte aktivirati orbitalni rad kod piljenja metala**
- Posluživanje uređaja
  - ! **hvataljkama osigurajte izradak**
  - označite liniju rezanja na izratku
  - postavite bateriju na alat
  - jednom rukom držite dršku E , a drugom izolirani držak F
  - uključite uređaj
  - alatom pratite označenu liniju rezanja
  - osnovu G držite čvrsto da biste umanjili povratnu silu i vibriranje
- Držanje i vođenje uređaja
  - ! **alat kod primjene, držati samo na sivo označenim područjima** ⑬
  - otvore za strujanje zraka H držite nepokriveno
  - ne djelujte prevelikom pritiskom na alat; ostavite alat da radi za vas
  - ! **provjerite prolazi li oštrica pile kroz cijeli izradak** ⑭
- Podešavanje efektivne dubine piljenja ⑮
  - ! **bateriju uklonite iz alata prije ugađanja ili mijenjanja alata**
  - upotrijebite šesterostrani ključ K da biste otpustili i pričvrstili oba pričvrstna svornjaka J
  - pomaknite podnožje kliznim pokretima G prema naprijed/natrag da biste povećali/smanjili stvarnu reznu dubinu

## SAVJETI ZA PRIMJENU

- Umetnuti rez ⑯
  - Nagibno piljenje može se izvoditi u drvenim i mekanim materijalima bez prethodnog bušenja rupe
  - koristite debelu oštricu pile
  - ! **bateriju uklonite iz alata prije ugađanja ili mijenjanja alata**
  - montirajte oštricu sa zupcima okrenutima prema gore
  - označite željenu liniju rezanja na izratku
  - nagnite alat tako da oštrica ne dodiruje izradak
  - uključite alat i pažljivo pritisnite oštricu pile u izradak
  - kada oštrica proдре u izradak nastavite pratiti liniju rezanja
  - ! **metalne materijale ne pilite nagibno**
- Treba koristiti odgovarajuće listove pile ⑰
- Kod rezanja metala list pile treba redovito podmazivati uljem
- Rezanje bez stvaranja iveraka
  - liniju rezanja proširiti s više slojeva i prije početka rada oblijepiti ljepljivom trakom
  - površinu izratka uglavnom okrenuti prema dolje
- Više informacija navedeno je na mrežnom mjestu [www.skil.com](http://www.skil.com)

## ODRŽAVANJE / SERVISIRANJE

- Ovaj uređaj nije namijenjen profesionalnoj upotrebi
- Uvijek držite alat čistim (osobito otvore za provjetranje H ②)
- ! **bateriju uklonite iz alata prije čišćenja**

- Ako bi uređaj unatoč brižljivih postupaka izrade i ispitivanja ipak prestao raditi, popravak treba prepustiti ovlaštenom servisu za SKIL električne alate
  - uređaj treba **nerastavljeno** predati, zajedno s računom o kupnji u najbližu SKIL ugovornu servisnu radionicu (popise servisa, kao i oznake rezervnih dijelova uređaja možete naći na adresi [www.skil.com](http://www.skil.com))
- Imajte na umu kako jamstvo ne obuhvaća štete nastale zbog preopterećenja ili nepravilnog rukovanja alatom (za uvjete iz SKIL jamstva, posjetite [www.skil.com](http://www.skil.com) ili upitajte svog prodavača)

## ZAŠTITA OKOLIŠA

- **Električne alate, baterij, pribor i ambalažu ne bacajte u kućni otpad** (samo za EU-države)
  - prema Europskoj direktivi 2012/19/EG o staroj električnoj i elektroničkoj opremi i njenoj primjeni u skladu sa nacionalnim zakonom, istrošeni električni alati moraju se sakupljati odvojeno i odvesti u posebne pogone za reciklažu
  - na to podsjeća simbol ⑥ kada se javi potreba za odlaganjem
  - ! **prije nego što aku-bateriju zbrinete u otpad, zaštitite njene polove**

## BUKA / VIBRACIJA

- Mjerene u skladu s normom EN 62841, razina zvučnog tlaka ovoga alata je 85,0 dB(A), razina zvučne snage 96,0 dB(A) (nesigurnost K = 5 dB), a vibracija \* (troaksijalna vektorska suma; nesigurnost K = 1,5 m/s<sup>2</sup>)
  - \* rezna daska 9,9 m/s<sup>2</sup>
  - \* rezanje drvenih greda 9,5 m/s<sup>2</sup>
- Razina emitiranja vibracija izmjerena je sukladno normiranom testu danom u EN 62841; ona se može koristiti za usporedbu jedne alatke s drugom, te preliminarnu procjenu izloženosti vibracijama pri uporabi alatke za navedene namjene
  - uporaba ove alatke za druge namjene ili s drugim ili slabo održanim nastavcima, može u značajnoj mjeri **uvećati** razinu izloženosti
  - vrijeme tokom kojega je alatka isključena, ili je uključena ali se njome ne radi, može značajno **umanjiti** razinu izloženosti
  - ! **zaštitite se od posljedica vibracija održavanjem alatke i njezinih nastavaka, održavanjem Vaših ruku toplima, te organiziranjem Vaših obrazaca rada**

SRB

**Bežična recipročna testera bez četkica** **3480**

## UPUTSTVO

- Ovaj alat je namenjen za sečenje drveta, plastike, metala i građevinskih materijala kao i za rezanje i potkresivanje drveta; pogodan je za pravolinijsko i krivolinijsko sečenje
- Ovaj alat nije namenjen za profesionalnu upotrebu
- Pažljivo pročitajte i sačuvajte ova uputstva za rukovanje ③

## TEHNIČKI PODACI ①

## ELEMENTI ALATA ②

- A Dugme za zaključavanje
- B Prekidač za uključivanje/isključivanje i kontrolu brzine
- C Spona sečiva
- D Strelica
- E Ručica
- F Držač
- G Podesivi podnožni oslonac
- H Prorezi za hlađenje
- J Zavrtnji za pričvršćivanje
- K Imbus ključa
- L Indikator kapaciteta baterije
- M LED-svetlo
- N Prekidač za planetarno kretanje

## SIGURNOST

### OPŠTA SIGURNOSNA UPOZORENJA ZA ELEKTRIČNI ALAT

**UPOZORENJE** Pročitajte sva bezbednosna upozorenja, uputstva, ilustracije i specifikacije priložene uz ovaj električni alat. Ukoliko se ne slede sva uputstva navedena u nastavku može doći do strujnog udara, požara i/ili ozbiljne povrede.

### Sačuvajte sva upozorenja i uputstva za buduću upotrebu.

Pojam upotrebljen u upozorenjima "električni alat" odnosi se na električne alate sa radom na mreži (sa mrežnim kablom) i na električne alate sa radom na akumulator (bez mrežnog kabla).

#### 1) SIGURNOST NA RADNOM MESTU

- a) **Držite Vaše područje rada čisto i pospremljeno.** Nered ili neosvetljena radna područja mogu voditi nesrećama.
- b) **Ne koristite električni alat tamo gde postoji opasnost od eksplozije kao npr. u prisustvu zapaljivih tečnosti, gasova ili prašine.** Električni alati proizvode varnice, koje mogu zapaliti prašinu ili isparenja.
- c) **Za vreme korišćenja električnog alata držite podalje decu i druge osobe.** Kod skretanja možete izgubiti kontrolu nad alatom.

#### 2) ELEKTRIČNA SIGURNOST

- a) **Utičak električnog alata mora odgovarati utičnici.** Nikada nemojte modifikovati utikač. Ne upotrebljavajte adaptere utikača sa uzemljenim električnim alatom. Nemodifikovani utikači i odgovarajuće utičnice smanjuju rizik od električnog udara.
- b) **Izbegavajte telesni kontakt sa uzemljenim gornjim površinama, kao što su cevi, grejanja, šporeti i rashladni ormani.** Postoji povećani rizik od električnog udara, ako je Vaše telo uzemljeno.
- c) **Ne izlažite električni alat kiši ili vlažnim uslovima.** Prodor vode u električni alat povećava rizik od električnog udara.
- d) **Ne zloupotrebljavajte kabl.** Nikada nemojte koristiti kabl za nošenje i vučenje električnog alata ili za izvlačenje iz utičnice. Držite kabl dalje od vreline, ulja, oštih ivica ili pokretnih delova. Oštećeni ili umršeni kablovi povećavaju rizik električnog udara.

- e) **Ako sa nekim električnim alatom radite u prirodi, upotrebljavajte samo produžne kablove koji su dozvoljeni za spoljno područje.** Upotreba produžnog kabla pogodnog za spoljno područje smanjuje rizik od električnog udara.
- f) **Ako rad električnog alata ne može da se izbegne u vlažnoj okolini, koristite prekidač strujne zaštite pri kvaru.** Upotreba prekidača strujne zaštite pri kvaru smanjuje rizik od električnog udara.

#### 3) SIGURNOST OSOBA

- a) **Budite oprezni, pazite na to šta radite i razumno rukujte Vašim električnim alatom. Ne koristite električni alat dok ste umorni ili pod uticajem narkotika, alkohola ili lekova.** Moment nepažnje kod upotrebe električnog alata može rezultirati ozbiljnim povredama.
  - b) **Nosite ličnu zaštitnu opremu i uvek zaštitne naočare.** Nošenje lične zaštitne opreme, kao maske za prašinu, sigurnosne cipele koje ne klizaju, zaštitni šlem ili zaštitu za sluh, zaviso od vrste i upotrebe električnog alata, smanjujete rizik od povreda.
  - c) **Sprečite nenamerno puštanje u rad. Pre priključivanja na struju i/ili na akumulatorsku bateriju, podizanja ili nošenja alata uverite se da je prekidač isključen.** Nošenje električnog alata sa prstom na prekidaču ili priključivanje na struju uključenog električnog alata vodi do nesreće.
  - d) **Uklonite bilo kakve ključeve za podešavanje ili ključeve za zavrtnjeve, pre nego što uključite električni alat.** Ostavljanje ključa za zavrtnjeve ili ključa prikačene na rotirajući deo električnog alata može rezultirati ličnom povredom.
  - e) **Ne zauzimajte neadekvatan položaj. Sve vreme držite ravnotežu i pravilan položaj nogu.** Ovo omogućava bolje upravljanje električnim alatom u neočekivanim situacijama.
  - f) **Nosite pogodno odelo. Ne nosite široko odelo ili nakit. Držite kosu i odeću dalje od pokretnih delova.** Opušteno odelo, nakit ili duža kosa mogu biti zahvaćeni od rotirajućih delova.
  - g) **Ako se mogu montirati uredjaji za usisavanje prašine i uredjaji za hvatanje prašine, uverite se da li su priključeni i ispravno koriste.** Upotreba usisavanja prašine može smanjiti opasnosti od prašine.
  - h) **Ne dozvolite da pouzdanje koje ste stekli čestom upotrebom alata utiče na to da postanete neoprezni i da zanemarite sigurnosne principe za upotrebu alata.** Neoprezno delovanje može prouzrokovati teške povrede u deliću sekunde.
- #### 4) BRIŽLJIVO OPHODJENJE I KORIŠĆENJE ELEKTRIČNIH ALATA
- a) **Ne preopterećujte električni alat. Koristite električni alat koji odgovara Vašoj primeni.** Sa odgovarajućim električnim alatom radite bolje i sigurnije tempom za koji je projektovan.
  - b) **Ne upotrebljavajte električni alat, čiji je prekidač u kvaru.** Električni alat koji više ne može da se uključi ili isključi je opasan i mora da se popravi.
  - c) **Izvcute utikač iz utičnice i/ili izvadite akumulatorsku bateriju, ukoliko je to moguće, iz električnog alata pre nego što izvršite bilo kakva podešavanja, promenu pribora ili pre nego što uskladištite električni alat.** Takve preventivne sigurnosne mere smanjuju rizik od slučajnog pokretanja električnog alata.

- d) Čuvajte električne alate koje ne koristite izvan domašaja dece i ne dozvoljavajte osobama, koje nisu upoznate sa ovim električnim alatom ili sa ovim uputstvima, da rukuju električnim alatom. U rukama neobučanih korisnika električni alati postaju opasni.
- e) Održavajte električni alat i pribore. Proverite da li su pokretni delovi u ravni i da li negde zapinju, da nije došlo do lomljenja delova i svako drugo stanje koje može uticati na rad električnog alata. Ukoliko je oštećen, odnesite električni alat na popravku pre korišćenja. Mnoge nesreće su prouzrokovane lošim održavanjem električnih alata.
- f) Držite alate za sečenja oštre i čiste. Brižljivo negovani alati za sečenje sa oštrim sečivima manje slepljuju i lakše se vode.
- g) Upotrebljavajte električne alate, pribor, alate koji se umeću itd. prema ovim uputstvima. Obratite pažnju pritom na uputstva za rad i posao koji treba izvesti. Upotreba električnih alata za druge od propisanih namena može voditi opasnim situacijama.
- h) Održavajte drške i prihvatne površine suvim, čistim i bez ostataka ulja ili masnoće. Klizave drške ili prihvatne površine ne omogućavaju bezbedno rukovanje i upravljanje alatom u neočekivanim situacijama.
- 5) **BRIŽLJIVO OPHODJENJE I KORIŠĆENJE APARATA SA AKUMULATOROM**
- a) Punite akumulator samo u aparatima za punjenje koje propisuje proizvođač. Za aparat za punjenje koji je pogodan za određenu vrstu akumulatora, postoji opasnost od požara, ako se upotrebljava sa drugim akumulatorom.
- b) Upotrebljavajte samo za to predviđene akumulator u električnim alatima. Upotreba drugih akumulatora može voditi povredama i opasnosti od požara.
- c) Držite ne korišćen akumulator podalje od kancelarijskih spajalica, novčića, ključeva, eksera, zavrtnja ili drugih malih metalnih predmeta koji mogu prouzrokovati premošćavanje kontakata. Kratak spoj između kontakata akumulatora može imati za posledicu zagorevanje ili vatra.
- d) Kod pogrešne primene može izaći tečnost iz akumulatora; izbegavajte kontakt sa njom. Kod slučajnog kontakta isperite sa vodom. Ako tečnost dodje u dodir sa očima, potražite i lekarsku pomoć dodatno. Tečnost akumulatora koja može izaći napolje može voditi nadražajima kože ili opekotinama.
- e) Ne koristite akumulatorsku bateriju ili alat koji je oštećen ili modifikovan. Oštećeni ili modifikovani akumulatori se mogu ponašati nepredvidivo što može rezultirati požarom, eksplozijom ili povredom.
- f) Ne izlažite akumulatorsku bateriju ili alat vatri ili visokim temperaturama. Izlaganje vatri ili temperaturama iznad 130°C može prouzrokovati eksploziju.
- g) Pridržavajte se svih uputstava u vezi sa punjenjem i ne puniti akumulatorsku bateriju ili alat izvan temperaturnog opsega naznačenog u uputstvima. Nepropisno punjenje ili punjenje na temperaturama izvan naznačenog opsega može oštetiti akumulator i povećati rizik od požara.
- 6) **SERVISIRANJE**
- a) Vaš električni alat dajte na servisiranje samo kvalifikovanom licu za popravku, koristeći pritom

samo identične rezervne delove. Ovo će osigurati očuvanje bezbednosti električnog alata.

- b) **Nikada ne servisirajte oštećene akumulatorske baterije.** Servisiranje akumulatorskih baterija treba da vrši isključivo proizvođač ili ovlašćeni serviseri.

## SIGURNOSNA UPUTSTVA ZA BEŽIČNE UBOodne TESTERE

- Hvatajte električni alat za izolovane hvataljke, ako izvodite radove, kod kojih pribor za sečenje može da dodirne skrivene vodove struje (pribor za sečenje koji dođe u kontakt sa vodom koji provodi napon stavlja i metalne delove električnog alata pod napon, usled čega rukovalac može doživeti električni udar)
- Upotrebite stezaljke ili na drugi praktičan način učvrstite i poduprite radni predmet na stabilnu platformu (ako radni predmet držite rukom ili ga oslonite o telo, on tada nije stabilan i može doći do gubitka kontrole)

### PRIBOR

- SKIL može priznati garanciju samo ukoliko je korišćen originalni pribor
- Koristite samo pribor čija je dozvoljena brzina u najmanju ruku jednaka najvećoj brzini pri praznom hodu električnog alata

### PRE UPOTREBE

- Izbegavajte oštećenja od šrafova, eksera i drugih predmeta na vašem području rada; uklonite ih pre nego što započnete rad
- Koristite odgovarajuće aparate za proveru dali se u zidu koji bušimo nalaze skrivene instalacije, ili za taj posao nađite odgovarajuće preduzeće (kontakt sa električnim vodovima može izazvati požar ili električni udar; oštećenje gasovoda može izazvati eksploziju; probijanje cevi sa vodom uzrokuje štete ili može izazvati električni udar)

### SIGURNOST OSOBA

- Ovaj alat ne treba da koriste osobe ispod 16 godina
- **Ne obradjujte nikakav materijal koji sadrži azbest** (azbest važi kao izazivač raka)
- Prašina od materijala, kao što su boja koja sadrži olovo, neke vrste drveta, minerali i metal, može biti opasna (dodir ili udisanje prašine može prouzrokovati alergijske reakcije i/ili respiratorna oboljenja rukuvoaca i lica u blizini); **nosite masku protiv prašine i radite uz uključeni uređaj za ekstrakciju prašine kada radite na mestima gde ju je moguće priključiti**
- Određene vrste prašine su klasifikovane kao kancerogene (kao što su prašina hrastovine i bukovine), posebno u sadejstvu sa aditivima za pripremu drveta; **nosite masku protiv prašine i radite uz uključeni uređaj za ekstrakciju prašine kada radite na mestima gde ju je moguće priključiti**
- Prati nacionalne propise vezane za prašinu koja se proizvodi prilikom rada na obrađivanim materijalima
- **Ruke držite podalje od oblasti sečenja i sečiva; drugu ruku držite na držaču F ②** (ako testeru držite obema rukama, sečivo ne može da ih povredi)
- **Nemojte da posežete ispod područja rada** (vi ne možete videti koliko je sečivo udaljeno od vaše ruke)
- **Deo koji se seče nikada nemojte da držite u rukama ili na nogama** (ispravno rukovanje je veoma važno da bi se smanjila izloženost tela opasnostima, povezivanje sečiva ili gubitak kontrole)

- **Nemojte da koristite tupo ili oštećeno sečivo** (savijena sečiva se lako mogu polomiti ili prouzrokovati trzanje)
- **Koristite zaštitne rukavice prilikom uklanjanja sečiva iz alata** (sečivo testere može biti vruće posle duže upotrebe)
- Nosite zaštitne naočari i zaštitu za sluh

#### BATERIJA

- **Baterija se isporučuje delimično napunjena** (da biste obezbedili pun kapacitet baterije, bateriju napunite do kraja u punjaču baterije pre prvog korišćenja električnog alata)
- **Koristite samo sledeće baterije i punjače sa ovim alatom**
  - SKIL baterija: BR1\*31\*\*\*\*
  - SKIL punjač: CR1\*31\*\*\*\*
- Nemojte koristiti oštećenu bateriju; treba je zameniti
- Nemojte da rastavljate bateriju
- Nemojte izlagati alat/bateriju kiši
- Dozvoljena ambijentalna temperatura (alat/punjač/bateriju):
  - prilikom punjenja 4...40°C
  - prilikom režima rada -20...+50°C
  - prilikom skladištenja -20...+50°C

#### OBJAŠNJENJE SIMBOLA NA ALATU/BATERIJA

- ③ Pročitajte uputstvo za korišćenje pre prve upotrebe
- ④ Baterije će eksplodirati ako se izlože vatri, zato nikada ne palite baterije
- ⑤ Odlazite alat/punjač/bateriju na msetima gde temperatura neće preći 50°C
- ⑥ Ne odlazite električne alate i baterije u kućne otpatke

### UPUTSTVO ZA KORIŠĆENJE

- Punjenje baterije
  - ! **pročitajte bezbednosna upozorenja i uputstva priložena uz punjač**
- Uklanjanje/postavljanje baterije ②
- Indikator kapaciteta baterije ⑦
  - pritisnite dugme indikatora baterije L za prikaz trenutnog nivoa baterije ⑦a
  - ! **kada najniži nivo indikatora baterije počne da treperi nakon pritiska dugmeta L ⑦b, baterija je prazna**
  - ! **kada 2 nivoi indikatora baterije počnu da trepere nakon pritiska na dugme L ⑦c, baterija nije u dozvoljenom opsegu radne temperature**
- LED-svetlo ⑧
  - LED svetlo automatski svetli kada se aktivira prekidač uključeno/isključeno
  - ! **kada LED svetlo počne da treperi, aktivira se zaštita baterije (pogledajte ispod)**
- Zaštita baterije
  - Alat se momentalno isključuje ili ne može da se uključi kada
    - je opterećenje suviše veliko --> uklonite opterećenje i ponovo pokrenite
    - temperatura baterije nije u dozvoljenom radnom opsegu temperature od -20 do +50°C --> 2 nivoi indikatora za nivo baterije počinju da trepere kada pritisnete dugme L ⑦c; sačekajte dok se baterija ne vrati u dozvoljeni temperaturni opseg
    - **baterija je skoro prazna (za zaštitu od dubinskog pražnjenja)** --> nizak nivo baterije ili treperenje za

- nizak nivo baterije ⑦b prikazuje indikator za nivo baterije kada se pritisne dugme L; napunite bateriju
- ! **prestanite da pritisnete prekidač za uključivanje/isključivanje nakon automatskog isključivanja alata jer možete oštetiti bateriju**
- Kombinovani prekidač za uključivanje/isključivanje i kontrolu brzine sa dugmetom za zaključavanje ⑨ ⑩
  - prvo otključajte pritiskom na dugme A
  - uključite alat povlačenjem obarača B
  - možete kontrolisati brzinu od najmanje do najveće menjanjem pritiska na obaraču
  - isključite otpuštanjem obarača B
- Dugme za zaključavanje A može da se aktivira ⑨
  - ako se aktivira, prekidač za uključivanje/isključivanje je blokiran i mašina je osigurana da se nenamerno uključi
- Postavljanje sečiva testere ⑪
  - ! **uklonite bateriju iz alata pre svakog podešavanja ili promene pribora**
  - okrenite sponu sečiva C u istom pravcu kao i strelica D na alatki i zadržite je u tom položaju
  - ubacite sečivo (sa zupcima okrenutim nadole ili nagore) do kraja
  - otpustite sponu sečiva C
  - pokušajte da pomerite sečivo da biste proverili da li je ispravno zaključano
- Skidanje sečiva testere ⑪
  - ! **uklonite bateriju iz alata pre svakog podešavanja ili promene pribora**
  - okrenite sponu sečiva C u istom pravcu kao i strelica D na alatki i zadržite je u tom položaju
  - izvucite sečivo
  - otpustite sponu sečiva C
- Planetarno kretanje za brzo sečenje ⑫
  - za aktiviranje planetarnog kretanja pile koristite prekidač N kako je prikazano
  - ! **nemojte aktivirati planetarno kretanje kada sečete metal**
- Rukovanje alatom
  - ! **pričvrstite područje rada**
  - obeležite liniju sečenja na području rada
  - stavite bateriju na alat
  - jednom rukom obuhvatite ručicu E na alatu, a drugom izolovani držač F
  - uključite alat
  - prevlačite alat preko označene linije sečenja
  - podnožni oslonac G se mora držati čvrsto na području rada kako bi se umanjila protiv-sila i vibracije
- Držanje i upravljanje alata
  - ! **dok radite, uvek držite alat za mesto(a) koje(a) su označena sivom bojom ⑬**
  - presezi za hlađenje H moraju da budu otvoreni
  - ne pritisniti alat previše; pustite da alat sam radi
  - ! **proverite da li sečivo testere seže preko područja rada u potezu ⑭**
- Podešavanje efektivne dubine sečenja ⑮
  - ! **uklonite bateriju iz alata pre svakog podešavanja ili promene pribora**
  - pomoću imbus ključa K olabavite i pritegnite oba zavrtnja za pričvršćivanje J
  - pomerite podnožni oslonac G napred/nazad kako bi se povećala/smanjila efektivna dubina sečenja

## SAVETI ZA PRIMENU

- Uronjeno sečenje <sup>16</sup>  
Uronjeni rezovi se mogu načiniti u drvetu i ostalim mekim materijalima bez prethodnog bušenja rupe
  - koristite čvrsto sečivo testere**! uklonite bateriju iz alata pre svakog podešavanja ili promene pribora**
  - postavite sečivo tako da zupci budu okrenuti nagore
  - obeležite željenu liniju sečenja na području rada
  - nagnite alat tako da sečivo ne dodiruje područje rada
  - uključite alat i pažljivo ubacite sečivo testere u pokret u područje rada
  - kada sečivo proreže područje rada, nastavite sa sečenjem duž obeležene linije sečenja**! nemojte praviti uronjene rezove u metalnim materijalima**
- Koristite odgovarajuće sečivo <sup>17</sup>
- Kada sečete metal stavite sečivo podmazano uljem
- Sečenje bez krhotina
  - prekrijte liniju sečenja višeslojnim ili širokim trakama pre sečenja
  - lice materijala je okrenuto naniže na radnom mestu
- Za više informacija pogledajte [www.skil.com](http://www.skil.com)

## ODRŽAVANJE / SERVIS

- Ovaj alat nije namenjen za profesionalnu upotrebu
- Alat uvek održavajte čistim (posebno otvore za hlađenje H <sup>2</sup>)  
**! pre čišćenja uklonite bateriju iz alata**
- Ako bi alat i pored brižljivog postupka izrade i kontrole nekada otkazao, popravku mora vršiti neki autorizovani servis za SKIL-električne alate
  - pošaljite **nerastavljeni** alat zajedno sa potvrdom o kupovini vašem nabavljaču ili najbližem SKIL servisu (adrese i oznake rezervnih delova možete naći na [www.skil.com](http://www.skil.com))
- Imajte na umu da za oštećenja nastala usled preopterećivanja ili nepravilnog rukovanja neće važiti garancija (za uslove SKIL garancije posetite [www.skil.com](http://www.skil.com) ili pitajte svog prodavca)

## ZAŠTITA OKOLINE

- **Električne alate, baterije, pribora i ambalaže ne odlažite u kućne otpatke** (samo za EU-države)
  - prema Europskoj direktivi 2012/19/EG o staroj električnoj i elektronskoj opremi i njenoj upotrebi u skladu sa nacionalnim pravom, električni alati koji su istrošeni moraju biti sakupljeni odvojeno i dostavljeni pogonu za reciklažu
  - simbol <sup>18</sup> će vas podsetiti na to**! da bi se izbegli kratki spojevi je baterija zaštićena debljom trakom**

## BUKA / VIBRACIJE

- Izmeren u skladu sa standardom EN 62841 nivo pritiska zvuka ovog alata je 85,0 dB(A) a nivo jačine zvuka 96,0 dB(A) (neizvesnost K = 5 dB), i vibracija \* (troosni vektorski zbir; neizvesnost K = 1,5 m/s<sup>2</sup>)  
\* sečenje ploče 9,9 m/s<sup>2</sup>  
\* sečenje drvene grede 9,5 m/s<sup>2</sup>
- Nivo emisije vibracija izmeren je u skladu sa standardizovanim testom datim u EN 62841; on se

može koristiti za upoređenje jedne alatke sa drugom, kao i za preliminarnu procenu izloženosti vibracijama pri korišćenju ove alatke za pomenute namene

- korišćenje alatke u drugačije svrhe ili sa drugačijim ili slabo održanim nastavcima može značajno **povećati** nivo izloženosti
- vreme kada je alatka isključena ili kada je uključena, ali se njome ne radi, može značajno  **smanjiti** nivo izloženosti

**! zaštitite se od posledica vibracija održavanjem alatke i njenih nastavaka, održavajući Vaše ruke toplim i organizovanjem Vaših radnih obrazaca**

(SLO)

## Brezkrtlačna akumulatorska sabljasta krožna žaga 3480

### UVOD

- To orodje je namenjeno rezanju lesa, plastike, kovinskih in gradbenih materialov, kakor tudi obrezovanju drvja; primerno je tako za ravne kot tudi krive reze
- Orodje ni namenjeno profesionalni uporabi
- Preberite in shranite navodila za uporabo <sup>3</sup>

### TEHNIČNI PODATKI <sup>1</sup>

### DELI ORODJA <sup>2</sup>

- A Blokirni gumb
- B Vklpno/izklopno stikalo in za nadzor hitrosti
- C Objemka za rezilo
- D Puščica
- E Ročka
- F Cev za prijem
- G Gibljivi ščit
- H Ventilacijske reže
- J Pritrdilni sorniki
- K Imbus ključ
- L Indikator stanja akumulatorja
- M Dioda LED
- N Preklopite za kroženje

### VARNOST

#### SPLOŠNA VARNOSTNA OPOZORILA ZA ELEKTRIČNA ORODJA

**⚠ OPOZORILO** Preberite vsa varnostna opozorila, navodila in tehnične podatke ter si oglejte slike, ki so priloženi temu električnemu orodju. Neupoštevanje spodaj navedenih navodil se lahko odrazi v električnem udaru, požaru in/ali hudih poškodbah.

**Vsa opozorila in navodila shranite, saj jih boste v prihodnosti morda potrebovali.**

Pojem "električno orodje", ki se pojavlja v nadaljnjem besedilu, se nanaša na električna orodja z električnim pogonom (z električnim kablom) in na akumulatorska električna orodja (brez električnega kabla).

## 1) VARNOST NA DELOVNEM MESTU

- a) **Poskrbite, da bo Vaše delovno mesto vedno čisto in urejeno.** Nered ali neosvetljena delovna področja lahko povzročijo nezgode.
- b) **Prosimo, da orodja ne uporabljate v okolju, kjer je nevarnost za eksplozije in v katerem se nahajajo gorljive tekočine, plini in prah.** Električna orodja povzročajo iskre, zato se gorljivi prah ali pare lahko vnamejo.
- c) **Ne dovolite otrokom in drugim osebam, da bi se medtem ko delate, približali električnemu orodju.** Druge osebe lahko odvrnejo Vašo pozornost drugam in izgubili boste nadzor nad orodjem.

## 2) ELEKTRIČNA VARNOST

- a) **Vtič mora ustrezati električni vtičnici in ga pod nobenim pogojem ne smete spreminjati. Uporaba adapterskih vtičev v kombinaciji z ozemljena orodja ni dovoljena.** Originalni oziroma nespremenjeni vtiči in ustrezne vtičnice zmanjšujejo tveganje električnega udara.
- b) **Izogibajte se telesnemu stiku z ozemljenimi površinami, na primer s cevmi, grelci, štedilniki in hladilniki.** Če je ozemljeno tudi vaše telo, obstaja povečano tveganje električnega udara.
- c) **Zavarujte orodje pred dežjem ali vlago.** Vdor vode v električno orodje povečuje tveganje električnega udara.
- d) **Električnega kabla ne uporabljajte za prenašanje ali obesaenje orodja in ne vlecite vtič iz vtičnice tako, da vlečete za kabel. Zavarujte kabel pred vročino, oljem, ostrimi robovi in premikajočimi se deli orodja.** Poškodovani ali prepleteni kabli povečujejo tveganje električnega udara.
- e) **Če z električnim orodjem delate na prostem, uporabljajte izključno kabelski podaljšek, ki je atestiran za delo na prostem.** Uporaba kabelskega podaljška, primerneza delo na prostem, zmanjšuje tveganje električnega udara.
- f) **Če je uporaba električnega orodja v vlažnem okolju neizogibna, uporabljajte prekinjevalec električnega tokokroga.** Prekinjevalca električnega tokokroga zmanjšuje tveganje električnega udara.

## 3) OSEBNA VARNOST

- a) **Bodite zbrani in pazite, kaj delate. Dela z električnim orodjem se lotite razumno. Nikoli ne uporabljajte orodja, če ste utrujeni in če ste pod vplivom mamil, alkohola ali zdravil.** En sam trenutek nepazljivosti pri uporabi orodja ima lahko za posledico resne telesne poškodbe.
- b) **Uporabljajte osebna zaščitna sredstva in vedno nosite zaščitna očala.** Uporaba osebnih zaščitnih sredstev, na primer maske proti prahu, nedrsečih zaščitnih čevljev, zaščitne čelade in slušnikov, odvisno od vrste in uporabe električnega orodja, zmanjšuje tveganje telesnih poškodb.
- c) **Izogibajte se nenamernemu zagonu. Pred priključitvijo električnega orodja na električno omrežje in/ali na akumulator in pred dviganjem ali nošenjem se prepričajte, če je električno orodje izklopljeno.** Prenašanje naprave s prstom na stikalo ali priključitev vklopljenega električnega orodja na električno omrežje je lahko vzrok za nezgode.
- d) **Pred vklopom orodja odstranite z nje nastavitvena orodja ali vijačni ključ.** Orodje ali ključ, ki se nahajata na vrtečem se delu električnega orodja, lahko povzročita nezgodo.

- e) **Ne precenjujte se in poskrbite za varno stojišče in stalno ravnotežje.** Tako boste lahko v nepričakovani situaciji bolje obvladali orodje.
  - f) **Oblecite se primerno. Ne nosite ohlapnih oblačil ali nakita. Las in oblačil ne približujte premikajočim se delom.** Ohlapna oblačila, nakit ali dolgi lasje se lahko ujamejo v premikajoče se dele.
  - g) **Če je možno na orodje namestiti priprave za odsesavanje in prestrezanje prahu, prepričajte se, ali so le-te priključene in, če jih pravilno uporabljate.** Uporaba priprave za odsesavanje prahu zmanjšuje zdravstveno ogroženost zaradi prahu.
  - h) **Naj seznanjenost z orodjem, ki jo pridobite s pogosto uporabo, ne bo razlog za to, da postanete lahkomišelnini in ignorirate varnostna načela.** V delčku sekunde lahko nepozorno dejanje pripelje do hude poškodbe.
- ## 4) RAVNANJE IN NEGA ROČNEGA ORODJA
- a) **Ne preobremenjujte orodja. Za določeno delo uporabljajte električno orodje, ki je predvideno za opravljanje tega dela.** Ustreznim električnim orodjem boste delo opravili bolje in varneje, ker je bilo v ta namen tudi konstruirano.
  - b) **Električno orodje, ki ima pokvarjeno stikalo, ne uporabljajte.** Električno orodje, ki ga ni možno vklopiti ali izklopiti, je nevarno in ga je potrebno popraviti.
  - c) **Izvlčite vtič iz vtičnice in/ali odstranite akumulatorsko baterijo, če jo je mogoče izvzeti, še preden orodje popravljate, menjujete pribor ali ga shranite.** Ti preventivni varnostni ukrepi zmanjšajo tveganje za nenamenski zagon orodja.
  - d) **Kadar orodja ne uporabljate ga shranjujte izven dosega otrok. Osebam, ki orodja ne poznajo ali niso prebrale teh navodil, orodja ne dovolite uporabljati.** Električna orodja so nevarna, če jih uporabljajo neizkušene osebe.
  - e) **Vzdržujte električna orodja in pribor. Preverite, če premikajoči se deli orodja delujejo brezhibno in če se ne zatikajo, oziroma, če kakšen del orodja ni zlomljen ali poškodovan do te mere, da bi oviral njegovo delovanje. Pred nadaljnjo uporabo je potrebno poškodovani del popraviti.** Vzrok za številne nezgode so ravno slabo vzdrževana električna orodja.
  - f) **Rezalna orodja naj bodo ostra in čista.** Skrbno negovana rezalna orodja z ostrimi rezili se manj zatikajo in so bolj vodljiva.
  - g) **Električna orodja, pribor, nastavke in podobno uporabljajte v skladu s temi navodili. Pri tem upoštevajte delovne pogoje in vrsto dela, ki ga nameravate opraviti.** Zaradi uporabe električnega orodja v druge, nepredvidene namene, lahko nastanejo nevarne situacije.
  - h) **Ročaji in površine za prijemanje naj bodo suhe, čiste in brez olja ali maščobe.** Gladki ročaji in površine za prijemanje ne omogočajo varne uporabe in nadzora orodja v nepričakovanih situacijah.
- ## 5) SKRIBNO RAVNANJE Z AKUMULATORSKIMI NAPRAVAMI IN NJIHOVA UPORABA
- a) **Prosimo, da akumulatorske baterije polnite samo v polnilnikih, ki jih priporoča proizvajalec.** Na polnilniku, predvidenem za polnjenje določene vrste akumulatorskih baterij, lahko pride do požara, če ga uporabljate za polnjenje drugih vrst akumulatorskih baterij.

- b) **Za pogon akumulatorskih orodij uporabljajte samo zanje predvidene akumulatorske baterije.** Uporaba drugačnih akumulatorskih baterij lahko povzroči telesne poškodbe ali požar.
- c) **Kadar akumulatorska baterija ni v orodju, pazite, da ne pride v stik s kovinskimi predmeti kot so pisarniške sponke, kovanci, ključi, želblji, vijaki ali ostalimi kovinskimi predmeti, ki bi lahko povzročili stik med obema poloma akumulatorja.** Kratek stik med kontakti akumulatorske baterije lahko povzroči opekline ali požar.
- d) **Pri napačni uporabi lahko iz akumulatorske baterije priteče tekočina. Izogibajte se stiku z njo. V primeru naključnega stika prizadeto mesto spirajte z vodo. Če pride akumulatorska tekočina v oči, po spiranju poiščite tudi zdravniško pomoč.** Iztekanje tekočine iz akumulatorja lahko povzroči draženje kože ali opekline.
- e) **Ne uporabljajte poškodovanih ali prilagojenih akumulatorskih baterij oz. orodij.** Poškodovane ali prilagojene akumulatorske baterije se lahko nepredvidljivo obnašajo, kar lahko povzroči požar, eksplozijo ali tveganje za poškodbe.
- f) **Akumulatorske baterije ali orodja ne izpostavljajte ognju ali previsoki temperaturi.** Izpostavljenost ognju ali vročini nad 130°C lahko povzroči eksplozijo.
- g) **Upoštevajte navodila za polnjenje in ne polnite akumulatorske baterije ali orodja pri temperaturi, ki je izven območja, navedenega v navodilih.** Če orodje polnite na nepravilen način ali pri temperaturah, ki so izven določenega območja, lahko pride do poškodb akumulatorske baterije, kar poveča tveganje za požar.

#### 6) SERVISIRANJE

- a) **Popravilo orodja lahko opravi samo usposobljena strokovna oseba in to izključno z originalnimi nadomestnimi deli.** Le tako bo ohranjena nadaljnja varnost orodja.
- b) **Nikdar ne popravljajte poškodovanih akumulatorskih baterij.** Akumulatorske baterije naj popravlja le proizvajalec ali pooblaščen servisier.

#### VARNOSTNA NAVODILA ZA BREŽIČNO ŽAGO LISIČJI REP

- **Če izvajate dela, pri katerih bi se lahko z orodjem za rezanje dotaknili skrite omrežne napeljave, držite električno orodje samo za izolirane ročaje** (stik orodja za rezanje z napeljavo, ki je pod napetostjo, lahko povzroči, da so tudi kovinski deli orodja pod napetostjo, kar lahko povzroči električni udar za upravljalca)
- **Obdelovanec zavarujte in pritrдите s sponami ali drugo opremo** (če obdelovanec držite z rokami ali proti telesu, bo nestabilen in lahko izgubite nadzor nad orodjem)

#### PRIBOR

- SKIL zagotavlja brezhibno delovanje orodja le z uporabo originalnega dodatnega pribora
- Uporabljajte lahko dodatni pribor, katerega dovoljena hitrost je najmanj enaka največji hitrosti orodja

#### PRED UPORABO

- Izogibajte se poškodb zaradi vijakov, žebeljev ali drugih elementov v obdelovanču; odstranite jih pred začetkom dela
- **Za iskanje skritih električnih, plinskih in vodovodnih cevi uporabite primerne iskalne naprave (detektorje)**

ali se posvetujte z lokalnimi podjetji (stik z električnimi vodniki lahko povzroči požar ali električni udar; poškodbe plinovoda lahko povzročijo eksplozijo, vdor v vodovodno omrežje pa materialno škodo ali električni udar)

#### OSEBNA VARNOST

- Orodja naj ne bi uporabljale osebe mlajše od 16 let
- **Ne obdelujte materiala, ki vsebuje azbest** (azbest povzroča rakasta obolenja)
- Prah materialov, kot so barve, ki vsebujejo svinec, nekatere vrste lesa, mineralov ali kovin so lahko škodljivi (ob stiku ali vdihavanju lahko prah pri delavcu ali pri drugih prisotnih povzroči alergijsko reakcijo in/ali boleznijo dihal); **nosite masko za prah in pri delu uporabljajte napravo za odsesavanje prahu, kjer je le-to možno priključiti**
- Nekatero vrsto prahu so klasificirane kot kancerogene (kot npr. prah hrasta in bukke) še posebno ob sočasni uporabi z dodatki za obdelavo lesa; **nosite masko za prah in pri delu uporabljajte napravo za odsesavanje prahu, kjer je le-to možno priključiti**
- Upoštevajte nacionalne zahteve glede prahu za materiale katere želite obdelovati
- **Roke držite vedno proč od področja rezanja in rezila, z drugo roko pa orodje držite za cev za prijem F 2** (če držite žago z obema rokama, ni možnosti, da si poškodujete roke z rezilom)
- **Ne segajte pod obdelovanec** (neposredne bližine rezila do vaše roke ne morete videti)
- **Pri rezanju nikoli ne držite obdelovanca v roki ali preko vaših nog** (to prispeva k točnosti dela, zmanjševanju izpostavljanja telesnim nevarnostim, zaustavljanju rezila in izgube nadzora pri delu)
- **Ne uporabljajte topih ali poškodovanih rezil** (ukrivljena rezila se lahko hitro zlomijo ali izskočijo iz orodja)
- **Pri odstranjevanju rezila iz orodja uporabljajte zaščitne rokavice** (žagin list je po dolgi uporabi lahko vroč)
- Uporabljajte zaščitna očala in zaščito sluha

#### AKUMULATORJI

- **Priloženi akumulator je delno napolnjen** (če želite zagotoviti polno zmogljivost akumulatorja, ga pred prvo uporabo popolnoma napolnite s polnilnikom za akumulator)
- **S tem orodjem lahko uporabljate samo te akumulatorje in polnilnike**
  - Akumulator SKIL: BR1\*31\*\*\*\*
  - Polnilnik SKIL: CR1\*31\*\*\*\*
- Ne uporabljajte poškodovanega akumulatorja, ampak ga zamenjajte
- Akumulatorja ne razstavljajte
- Orodja/akumulatorja ne izpostavljajte dežju
- Dovoljena temperatura okolice (orodje/polnilec/akumulator):
  - pri polnjenju 4...40°C
  - pri delu -20...+50°C
  - pri skladiščenju -20...+50°C

#### POJASNILO OZNAK NA ORODJU/BATERIJI

- ③ Pred uporabo preberite navodila za uporabo
- ④ Baterije lahko pri izpostavljanju odprtemu ognju eksplodirajo, zato jih nikoli ne sežigajte
- ⑤ Shranjujte orodje, polnilec in akumulator v prostoru, kjer temperatura ne bo presegla 50°C
- ⑥ Ne odstranjujte električnega orodja in baterije s hišnimi odpadki



## UPORABA

- Polnjenje akumulatorja  
**! Preberite varnostna opozorila in navodila, priložena polnilniku**
- Odstranitev/namestitev akumulatorja ②
- Indikator stanja akumulatorja ⑦
  - pritisnite gumb indikatorja ravni napoljenosti akumulatorja L, da prikazete trenutno raven napoljenosti akumulatorja ⑦a
  - ! ko začne utripati najnižja raven indikatorja akumulatorja po pritisku gumba L ⑦b, je akumulator prazen**
  - ! ko začnejo utripati ravni 2 indikatorja akumulatorja po pritisku gumba L ⑦c, akumulator ni v dovoljenem razponu delovne temperature**
- Dioda LED ③  
LED-lučka se ob aktiviranju stikala za vklop/izklop samodejno vklopi  
**! ko LED-lučka začne utripati, je zaščita akumulatorja aktivirana (glejte spodaj)**
- Zaščita akumulatorja  
Orodje se nenadoma izklopi ali pa ga ni mogoče vklopiti, kadar
  - **previsoka obremenitev** --> odstranite obremenitev in zaženite znova
  - **temperatura baterije ni v dovoljenem razponu delovne temperature od -20 do +50 °C** --> 2 ravni indikatorja napoljenosti akumulatorja začnejo utripati, ko pritisnete gumb L ⑦c; počakajte, da se akumulator vrne v dovoljeni razpon delovne temperature
  - **akumulator je skoraj prazen (zaščitite ga pred popolno izpraznitvijo)** --> indikator napoljenosti akumulatorja prikaže nizko raven napoljenosti akumulatorja ali utripajočo nizko raven napoljenosti akumulatorja ⑦b, ko pritisnete gumb L; napolnite akumulator
  - ! po samodejnem izklopu ne pritisčajte stikala za vklop/izklop; baterija se lahko poškoduje**
- Kombinirano stikalo za vklop/izklop in nastavev hitrosti z blokirnimi gumbom ⑨ ⑩
  - najprej odblokirajte tako, da pritisnete gumb A
  - izklopite orodje tako, da pritisnete stikalo B
  - hitrost se brezstopenjsko nastavlja od 0 do maksimalne z večjim ali manjšim pritiskom na stikalo
  - orodje izklopite tako, da izpustite sprožilec B
- Blokirni gumb A lahko aktivirate ⑨
  - če je aktivirano, je stikalo za vklop/izklop blokirano, orodje pa je zaščiten pred nenamernim vklopom
- Namestitev rezila žage ⑪
  - ! preden orodje kakor koli prilagajate ali zamenjate pribor, z orodja odstranite akumulator**
  - objemko za rezilo C obračajte v isti smeri kot nakazuje puščica D na orodju in jo držite v tem položaju
  - vstavite rezilo do konca (zobčki naj bodo obrnjeni navzdol ali navzgor)
  - izpustite objemko za rezilo C
  - rezilo potisnite naprej in nazaj, da preverite, ali se je pravilno zaskočilo na mestu
- Odstranjevanje rezila ⑪
  - ! preden orodje kakor koli prilagajate ali zamenjate pribor, z orodja odstranite akumulator**
  - objemko za rezilo C obračajte v isti smeri kot nakazuje puščica D na orodju in jo držite v tem položaju

- izvlecite rezilo
- izpustite objemko za rezilo C
- Kroženje s hitrim rezanjem ⑫
  - za aktivacijo kroženja rezila uporabite stikalo N kot je prikazano
  - ! ne aktivirajte kroženja med rezanjem kovin**
- Upravljanje orodja
  - ! obdelovanec dobro vpnite**
  - na obdelovancu označite linijo reza
  - namestitev akumulatorja v orodje
  - orodje držite z eno roko na ročki E in z drugo na izolirani cevi za prijem F
  - vklopite orodje
  - orodje premikajte po označeni liniji reza
  - ščit G naj bo tesno ob obdelovancu, da zmanjšate silo povratnih udarcev in treslajev
- Držanje in vodenje orodja
  - ! med delom vedno držite orodje za sivo obarvano mesto oprijema ⑬**
  - ventilacijske reže H morajo biti nepokrite
  - ne pritisčajte na orodje premočno; pustite da orodje sam opravi delo
  - ! prepričajte se, da se žagin list med rezanjem razteza čez obdelovanca ⑭**
- Nastavitev učinkovite globine rezanja ⑮
  - ! preden orodje kakor koli prilagajate ali zamenjate pribor, z orodja odstranite akumulator**
  - z imbus ključem K odvijte in privijte oba pritrdilna sornika J
  - potisnite gibljivi ščit G naprej/nazaj, da povečate/zmanjšate učinkovito globino rezanja

## UPORABNI NASVETI

- Potopno rezanje ⑯  
Globinske reze je mogoče narediti v les in druge mehke materiale, ne da bi prej zvrtili luknjno
  - uporabite debelejši žagin list
  - ! preden orodje kakor koli prilagajate ali zamenjate pribor, z orodja odstranite akumulator**
  - namestite list tako, da je z zobčki obrnjen navzgor
  - na obdelovancu označite zeleno linijo reza
  - nagnite orodje tako, da se rezilo ne dotika obdelovanca
  - vklopite orodje in premikajoče se rezilo previdno potisnite v obdelovanec
  - ko rezilo predre obdelovalno površino, nadaljujte z rezanjem po označeni liniji reza
  - ! globinskih rezov ne naredite v železne materiale**
- Uporabljajte samo ustrezne žagine liste ⑰
- Pri žaganju kovin žagin list redno najoljite
- Rezanje drobljivih materialov
  - pred rezanjem prelepite linijo reza z nekaj plastmi širokega lepilnega traku
  - pri rezanju naj bo boljša stran obdelovanca obrnjena navzdol
- Za več informacij obiščite spletno stran [www.skil.com](http://www.skil.com)

## VZDRŽEVANJE/SERVISIRANJE


- Orodje ni namenjeno profesionalni uporabi
- Orodje naj bo vedno čisto (še posebej prezračevalne odprtine H ②)
- ! pred čiščenjem odstranite akumulator iz orodja**
- Če bi kljub skrbnim postopkoma izdelave in preizkušanja prišlo do izpada delovanja orodja, naj

popravilo opravi servisna delavnic, pooblastičena ja  
popravila SKILevih električnih orodjaj

- pošljite **nerazstavljen** orodje skupaj s potrdilom o  
nakupu pri vašemu prodajalculu v najbližjo SKIL servisno  
delavnicu (naslovi, kot tudi spisek rezervnih delov se  
nahaja na [www.skil.com](http://www.skil.com))

- Zavedajte se, da garancija ne vključuje poškodb zaradi  
preobremenitve orodja ali nepravilne rabe (glede  
SKILovih garancijskih pogojev obiščite [www.skil.com](http://www.skil.com) ali  
povprašajte prodajalca)

## OKOLJE

- **Električnega orodja, baterije, pribora in embalaže ne  
odstranjujete s hišnimi odpadki** (samo za države EU)  
- v skladu z Evropsko direktivo 2012/19/EG o odpadni  
električni in elektronski opremi in z njenim izvajanjem  
v nacionalni zakonodaji je treba električna orodja ob  
koncu njihove življenjske dobe ločeno zbirati in jih  
predati v postopek okolju prijaznega recikliranja  
- ko je potrebno odstranjevanje, naj vas o načinu spomni  
simbol 
- ! **preden akumulator zavržete, prilepite kontakte z  
debelejšim izolirnim trakom, da preprečite kratek  
stik**

## HRUP / VIBRACIJA


- Raven zvočnega tlaka tega orodja, ki je bila izmerjena  
v skladu s standardom EN 62841, je 85,0 dB(A), raven  
zvočne moči je 96,0 dB(A) (odstopanje K = 5 dB),  
skupne vrednosti vibracij \* (triosna vektorska vsota;  
odstopanje K = 1,5 m/s<sup>2</sup>)  
\* žaganje plošče 9,9 m/s<sup>2</sup>  
\* rezanje lesenih tramov 9,5 m/s<sup>2</sup>
- Raven oddajanja vibracij je bila izmerjena v skladu s  
standardiziranimi testi, navedenimi v EN 62841; uporabiti  
jo je mogoče za primerjavo različnih orodj med seboj in  
za predhodno primerjavo izpostavljenosti vibracijam pri  
uporabi orodja za namene, ki so omenjeni  
- uporaba orodja za drugačne namene ali uporaba  
skupaj z drugimi, slabo vzdrževanimi nastavki lahko  
znatno **poveča** raven izpostavljenosti  
- čas, ko je orodje izklopljeno ali ko teče, vendar  
z njim ne delamo, lahko **zmanjša** raven  
izpostavljenosti
- ! **pred posledicami vibracij se zaščitite z  
vzdrževanjem orodja in pripadajočih nastavkov, ter  
tako, da so vaše roke tople, vaši delovni vzorci pa  
organizirani**

EST

## Harjadeta ja juhtmeta saabelsaag

3480

## SISSEJUHATUS

- Tööriist on ette nähtud puu, plastmassi, metalli  
ja ehitusmaterjalide saagimiseks ning okste ja  
puude kärpimiseks; seda võib kasutada nii sirg- kui  
kõverjooneliste lõigete teostamiseks
- Tööriist pole mõeldud professionaalseks kasutamiseks
- Palun lugege käesolev kasutusjuhend hoolikalt läbi ja  
hoidke alles 


## TEHNILISED ANDMED

### SEADME OSAD

- A Lukustusnupp
- B Lüüti tööriista sisse-/väljalüütamiseks  
ja kiiruse kontrollimiseks
- C Tera klamber
- D Nool
- E Käepide
- F Silindri käepide
- G Reguleeritav tugiplat
- H Öhutusavad
- J Kinnituspoldid
- K Kuuskantvõtme
- L Aku laetuse astme indikaator
- M LED-märgutuli
- N Orbitaalrežiimi lüüti

## OHUTUS

### ÜLDISED OHUTUSNÕUDED ELEKTRILISTE TÖÖRIISTADE KASUTAMISEL

 **HOIATUS** Lugege kõiki hoiatusi, juhiseid, kirjeldusi  
ja spetsifikatsioone, mis käivad tööriistaga kaasas.  
Kui kõiki allpool loetletud juhiseid ei õnnestu järgida, võite  
saada elektrilöögi, võib tekkida tulekahju ja/või saada raskelt  
vigastada.

### Hoidke kõik ohutusnõuded ja juhised edaspidiseks alles.

Allpool kasutatud mõiste "elektriline tööriist" käib  
võrgutoitega (toitejuhtmega) elektriliste tööriistade ja  
akutoitega (ilma toitejuhtmeta) elektriliste tööriistade kohta.

#### 1) OHUTUSNÕUDED TÖÖPIIRKONNAS

- a) **Hoidke töökoht puhas ja korras.** Segadus või  
valgustamata tööpiirkonnad võivad põhjustada õnnetusi.
- b) **Ärge kasutage seadet plannatusohtlikus  
keskkonnas, kus leidub tuleohtlikke vedelikke,  
gaase või tolmu.** Elektrilistest tööriistadest lööb  
sädemeid, mis võivad tolmu või auru süüdata.
- c) **Kui kasutate elektrilist tööriista, hoidke lapsed ja  
teised isikud töökohest eemal.** Kui Teie tähelepanu  
kõrvale juhitakse, võib seade Teie kontrolli alt väljuda.

#### 2) ELEKTROOHUTUS

- a) **Seadme pistik peab pistikupesaga sobima.** Pistiku  
kallal ei tohi teha mingeid muudatusi. Ärge  
kasutage kaitsemaandusega seadmete puhul  
adapterpistikuid. Muutmata pistikud ja sobivad  
pistikupesad vähendavad elektrilöögi saamise riski.
- b) **Vältige kehakontakti maandatud pindadega, nagu  
torud, radiaatorid, pliivid ja külmikud.** Kui Teie keha  
on maandatud, on elektrilöögi risk suurem.
- c) **Hoidke seadet vihma ja niiskuse eest.** Kui  
elektriseadmesse on sattunud vett, on elektrilöögi  
saamise risk suurem.
- d) **Ärge kasutage toitejuhet selleks mitte ettenähtud  
otstarbel seadme kandmiseks, ülesriputamiseks  
ega pistiku pistikupesast väljatõmbamiseks.** Hoidke  
toitejuhet kuumuse, õli, teravate servade ja seadme  
liikuvate osade eest. Kahjustatud või keerduläänud

- toitejuhtmed suurendavad elektrilöögi saamise riski.
- e) **Kui töotate elektrilise tööriistaga vabas õhus, kasutage ainult selliseid pikendusjuhtmeid, mida on lubatud kasutada ka välistingimustes.** Välistingimustes kasutamiseks sobiva pikendusjuhtme kasutamine vähendab elektrilöögi saamise riski.
- f) **Kui elektrilise tööriista kasutamine niiskes keskkonnas on vältimatu, kasutage maandusega lekkevoolukaitset.** Maandusega lekkevoolukaitsme kasutamine vähendab elektrilöögi ohtu.
- 3) INIMESTE TURVALISUS**
- a) **Olge tähelepanelik, jälgige, mida Te teete, ning toimige elektrilise tööriistaga töötades mõistlikult. Ärge kasutage seadet, kui olete väsinud või uimastite, alkoholi või ravimite mõju all.** Hetkeline tähelepanematus seadme kasutamisel võib põhjustada tõsiseid vigastusi.
- b) **Kandke isikukaitsevahendeid ja alati kaitseprille.** Isikukaitsevahendite, nagu tolmu- ja libisemiskindlad turvajalatsid, kaitsekiiver või kuulmiskaitsevahendid, kandmine – sõltuvalt elektrilise tööriista tüübist ja kasutusala – vähendab vigastuste riski.
- c) **Vältige seadme tahtmatut käivitamist. Enne pistiku ühendamist pistikupesasse, aku ühendamist seadme külge, seadme ülestõstmist ja kandmist veenduge, et elektriline tööriist on välja lülitatud.** Kui hoiate elektrilise tööriista kandmisel sorme lülil või ühendate vooluvõrku sisselülitatud seadme, võivad tagajärjeks olla õnnetused.
- d) **Enne seadme sisselülitamist eemaldage selle küljest reguleerimis- ja mutrivõtmed.** Seadme pöörleva osa küljes olev reguleerimis- või mutrivõti võib põhjustada vigastusi.
- e) **Ärge hinnake end üle. Võtke stabiilne töösasend ja hoidke kogu aeg tasakaalu.** Nii saate seadmet ootamatutes olukordades paremini kontrollida.
- f) **Kandke sobivat rõivastust. Ärge kandke laiu riideid ega ehteid. Hoidke juukseid ja rõivad seadme liikuvatest osadest eemal.** Lotendavad riided, ehted või pikad juukseid võivad sattuda seadme liikuvate osade vahele.
- g) **Kui on võimalik paigaldada tolmuemaldus- ja tolmu kogumisseadiseid/seadmeid, veenduge, et need oleksid seadmega ühendatud ja et need kasutatakse õigesti.** Tolmuemaldusseadise kasutamine vähendab tolmu põhjustatud ohte.
- h) **Ärge muutuge tööriista sagedasest kasutamisest hooletuks ja ärge eirake ohutusnõudeid.** Hooletus võib sekundi murdosa jooksul kaasa tuua raskeid vigastusi.
- 4) ELEKTRILISTE TÖÖRIISTADE HOOLIKAS KÄSITSEMINE JA KASUTAMINE**
- a) **Ärge koormake seadet üle. Kasutage töö tegemiseks selleks ettenähtud elektrilist tööriista.** Sobiva elektrilise tööriistaga töötate paremini ja turvalisemalt ettenähtud võimsusvahemikus.
- b) **Ärge kasutage elektrilist tööriista, mille lüliti on rikkis.** Elektriline tööriist, mida ei ole enam võimalik sisse ja välja lülitada, on ohtlik ning seda tuleb remontida.
- c) **Tõmmake pistik pistikupesast välja ja/või eemaldage seadmest aku, kui on eemaldatav, enne seadme reguleerimist, tarvikute vahetamist ja seadme ärapanekut.** See ettevaatusabinõu väldib seadme tahtmatut käivitamist.
- d) **Kasutusvälisel ajal hoidke elektrilise tööriista lastele kättesaamatult. Ärge laske seadet kasutada isikutel, kes seda ei tunne või pole siintoodud juhiseid lugenud.** Kogenematute kasutajate käes kujutavad elektrilised tööriistad ohtu.
- e) **Hoolitsege elektriliste tööriistade ja tarvikute eest korralikult. Kontrollige, kas seadme liikuvad osad funktsioneerivad korralikult ja ei kiildu kinni, ning ega mõned osad ei ole katki või sel määral kahjustatud, et võiksid mõjutada seadme töökindlust. Laske kahjustatud osad enne seadme kasutamist parandada.** Paljude õnnetuste põhjuseks on halvasti hooldatud elektrilised tööriistad.
- f) **Hoidke lõiketarvikud teravad ja puhtad.** Hoolikalt hoitud, teravate lõikeservadega lõiketarvikud kiilduvad harvemini kinni ja neid on lihtsam juhtida.
- g) **Kasutage elektrilist tööriista, lisavarustust, tarvikuid jne vastavalt siintoodud juhistele. Arvestage seejuures töötingimuste ja teostatava töö iseloomuga.** Elektriliste tööriistade kasutamine mitte ettenähtud otstarbel võib põhjustada ohtlikke olukordi.
- h) **Hoidke käepidemed ja haardepinnad kuiva ja puhtana ning vabana õlist ja määrdeainetest.** Libedad käepidemed ja haardepinnad ei luba tööriista ohutult käitseda ja ootamatutes olukordades kontrolli all hoida.
- 5) AKUTÖÖRIISTADE HOOLIKAS KÄSITSEMINE JA KASUTAMINE**
- a) **Laadige akusid ainult tootja poolt soovitatud akulaadijatega.** Akulaadija, mis sobib teatud tüüpi akudele, muutub tuleohhtlikuks, kui seda kasutatakse teiste akudega.
- b) **Kasutage elektrilistes tööriistades ainult selleks ettenähtud akusid.** Teiste akude kasutamine võib põhjustada vigastusi ja tulekahjuohtu.
- c) **Hoidke kasutusel mitteolevad akud eemal kirjaklambritest, müntidest, võtmetest, naeltest, kruvidest või teistest väikestest metallsestest, mis võivad kontaktid omavahel ühendada.** Akukontaktide vahel tekkiva lühise tagajärjeks võivad olla põletused või tulekahju.
- d) **Väärkasutage korral või akuvedelik välja voolata. Vältige sellega kokkupuudet. Juhusliku kokkupuute korral loputage kahjustatud kohta veega. Kui vedelik satub silma, pöörduge lisaks arsti poole.** Väljavoolav akuvedelik võib põhjustada nahaärritust või põletust.
- e) **Ärge kasutage akut ega tööriista, mis on kahjustatud saanud või mida on modifitseeritud.** Kahjustada saanud või modifitseeritud akud võivad põhjustada tulekahju, plahvatuset, kehavigastusi ja varalist kahju.
- f) **Kaitske akut ja elektrilist tööriista leekide ja väga kõrgete temperatuuride eest.** Kokkupuude leekidega või üle 130°C temperatuuriga võib põhjustada plahvatuset.
- g) **Ärge kõiki laadimisjuhiseid ja ärge laadige akut väljaspool juhistes määratletud temperatuurivahemikku.** Nõuetele mitte vastav laadimine või laadimine väljaspool ettenähtud temperatuurivahemikku võib akut kahjustada ja suurendada tulekahju ohtu.
- 6) TEENINDUS**
- a) **Laske seadet parandada ainult kvalifitseeritud spetsialistidel ja ainult originaalvaruosadega.** Nii tagate seadme püsimise turvalisena.

- b) **Ärge kunagi käidelda kahjustada saanud akusid.**  
Akusid võivad käidelda vaid tootja esindajad või volitatud hooldekeskuse töötajad.

## OHUTUSJUHISED JUHTMETA LIIKUMISSUUNDA VAHETAVAD SAED

- **Hoidke elektritööriista kinni isoleeritud haardepinnast, kui lõiketarvik võib töötamise ajal puutuda kokku peidetud juhtmega** (lõiketarviku pingestatud osaga kokkupuute korral võivad elektrilise tööriista metallosad pingestuda ja anda operaatorile elektrilöögi)
- **Kinnitage toorik klambriga või muul praktilisel moel kindlale stabiilsele alusele** (tööd käes hoides või vastu keha surudes võib see paigast liikuda)

## TARVIKUD

- SKIL tagab seadme häireteta töö üksnes originaaltarvikute kasutamisel
- Kasutage vaid neid tarvikuid, mille lubatud pöörete arv on vähemalt sama suur nagu maksimaalsed tühikäigupöörded

## ENNE KASUTAMIST

- Vältige töödeldavas esemes olevatest kruvidest, naeltest vms põhjustatud kahjustusi; eemaldage need enne töö alustamist
- **Varjatult paiknevate elektrijuhtmete, gaasi- või veetorude avastamiseks kasutage sobivaid otsimisseadmeid või pöörduge kohaliku elektri-, gaasi- või vee-ettevõtte poole** (kokkupuutel elektrijuhtmetega tulekahju- ja elektrilöögioht; gaasitorustiku vigastamisel plahvatusoht; veetorustiku vigastamisel materiaalne kahju või elektrilöögioht)

## INIMESTE TURVALISUS

- Tööriista kasutaja peab olema vähemalt 16 aastat vana
- **Asbestisaldava materjali töötlemine on keelatud** (asbest võib tekitada vähki)
- Värviga kaetud juhtmed, mõned puiduliigid, mineraalid ja metall eraldavad tolm, mis võib olla kahjulik (kokkupuude tolmuga või selle sissehingamine võib seadme kasutajal või läheduses viibvatel inimestel põhjustada allergilisi reaktsioone ja/või hingamisteede haigusi); **kandke tolmumaski ja vajaduse korral töötage külgeühendatava tolmueemaldusseadmega**
- Teatud tüüpi tolm on klassifitseeritud kantserogeensena (nt tammest ja kasest eralduv tolm), eriti koos puidu niiskuse reguleerimiseks kasutatavate lisanditega; **kandke tolmumaski ja vajaduse korral töötage külgeühendatava tolmueemaldusseadmega**
- Erinevate materjalide töötlemisel tekkinga tolm kättemisel tuleb järgida kehtivaid nõudeid
- **Hoidke käed lõikepiirkonnast ja terast ohutul kaugusel; teist kätt hoidke silindri käepidemel F** ② (kui hoiate saagi mõlema käega, ei jää käed saeketta ette)
- **Ärge viige kätt tooriku alla** (te ei näe, kui ligidal on tera teie kätele)
- **Ärge kunagi hoidke saetavat eset käes või risti üle jala** (tooriku korralik toestamine on oluline, et ohustada võimalikult vähe oma keha ning piirata saeketta kinnikiilumise ja tööriista kontrolli alt väljumise oht miinimumini)
- **Ärge kasutage nüri või kahjustatud saeketast** (köverdunud terad võivad kergesti murduda või anda tagasilöögi)
- **Tööriistast tera väljavõtmisel kasutage**

**kaitsekindaid** (saetera võib pikaajalisel kasutamisel kuumeneda)

- Kandke kaitseprille ja kõrvaklappe

## AKUD

- **Kaasasolev aku on osaliselt laetud** (aku täisjõudluse tagamiseks laadige aku enne elektrilise tööriista esimest kasutamist akulaadijas korralikult täis)
- **Kasutage selle tööriistaga ainult järgmiste akusid ja laadijaid**
  - SKILi aku: BR1\*31\*\*\*\*
  - SKILi laadija: CR1\*31\*\*\*\*
- Ärge kasutage kahjustatud akusid, vaid vahetage need välja
- Ärge võtke akut lahti
- Ärge jätke tööriista/akut vihma kätte
- Ümbritseva keskkonna lubatud temperatuur (tööriista/laadijat/akut):
  - laadimisel 4...40°C
  - töötamisel -20...+50°C
  - säilitamisel -20...+50°C

## TÖÖRIISTAL/AKUL OLEVATE SÜMBOLITE SELGITUS

- ③ Enne kasutamist tutvuge kasutusjuhendiga
- ④ Tulle visatud akud plahvatavad, seepärast ei tohi akut mingil põhjusel põletada
- ⑤ Hoidke tööriista/laadijat/akut toatemperatuuril vahemikus 0° kuni 50°C
- ⑥ Ärge visake kasutusõlmatuks muutunud elektrilisi tööriistu ja patareisid ära koos olmejäätmetega

## KASUTAMINE

- Aku laadimine  
**! lugege laadijaga kaasasolevaid ohutushoiatusi ja juhiseid**
- Aku eemaldamine/paigaldamine ②
- Aku laetuse astme näidik ⑦
  - vajutage aku täitetaseme nuppu L, et kuvada praegune aku täitetaseme ⑦a
  - ! kui aku laetuse indikaatori madalaim tase hakkab vilkuma, vajutades nupuke L ⑦b, on aku tühi**
  - ! kui 2 tasemed aku laetuse indikaatoril hakkavad vilkuma, vajutades nupule L ⑦c, ei ole aku selle lubatud töötemperatuuri vahemikus**
- LED-märgutuli ⑧
- LED-märgutuli süttib automaatselt töölülit (sisse/välja) rakendamisel  
**! kui LED-märgutuli hakkab vilkuma, on aku kaitse rakendatud (vt allpool)**
- Aku kaitse  
Tööriist lülitatakse järsku välja või takistatakse selle sisselülitamist, kui
  - **koormus on liiga suur** --> eemaldage koormus ja taaskäivitage
  - **Aku temperatuur ei ole lubatud töötemperatuuri vahemikus -20 kuni +50 °C** --> 2 aku laetuse taseme indikaatorid hakkavad vilkuma, kui vajutatakse nuppu L ⑦c; oodake, kuni aku naaseb lubatud töötemperatuuri vahemikku
  - **aku on peaaegu tühi (et kaitsta täieliku tühjenemise eest)** --> madal akutase või vilkuv madal akutase ⑦b kuvatakse aku laetuse astme indikaatoril, vajutades nupule L; laadige akut**! ärge vajutage enam lülitile (sisse/välja), kui tööriist on end automaatselt välja lüülitanud, sest see võib akut kahjustada**

- Kombineeritud lüliti sisse-/väljalülitamiseks ja kiiruse juhtimiseks lukustusnupuga ⑨ ⑩
  - esmalt lukustage lahti, vajutades nuppu A
  - seadme sisselülitamiseks vajutage töölülitile B
  - avaldades lülitile suuremat või väiksemat survet, saab kiirust sujuvalt reguleerida nullist kuni maksimaalsete pööreteni
  - lülitage välja, vabastades päästiku B
- Lukustusnuppu A saab aktiveerida ⑨
  - aktiveerimise korral on sisse-/väljalülitamise lüliti blokeeritud ja masin tahtmatu sisselülitamise vastu kaitstud
- Saetera paigaldamine ⑪
  - ! **enne tööriista reguleerimist või tarkvute vahetust võtke aku välja**
  - pöörake tera klambrit C tööriistal oleva noolega samas suunas D ja hoidke selles asendis
  - asetage sisse tera (hammastega alla- või ülespoole) lõpuni sisse
  - vabastage tera klamber C
  - suruge tera sisse ja tõmmake, veendumaks, et see on õigesti blokeerunud
- Saetera eemaldamine ⑪
  - ! **enne tööriista reguleerimist või tarkvute vahetust võtke aku välja**
  - pöörake tera klambrit C tööriistal oleva noolega samas suunas D ja hoidke selles asendis
  - tõmmake tera välja
  - vabastage tera klamber C
- Orbitaalrežiim kiirelt lõikavaks ⑫
  - saetera orbitaalrežiimi käivitamiseks kasutage lüliti N nagu näidatud
- ! **ärge käivitage orbitaalrežiimi lõigates metalli**
- Seadme kasutamine
  - ! **kinnitage tugevasti töödeldav ese**
  - märkige töödeldavale esemele lõikejoon
  - paigaldage aku tööriistale
  - ühe käega hoidke tööriista käepidemest E ja teisega isoleeritud silindri käepidemest F
  - lülitage seade sisse
  - suunake tööriista mööda märgitud lõikejoont
  - hoidke tugiplaati G tihedalt vastu töödeldavat eset, et vähendada vastupanu ja vibratsiooni
- Seadme hoidmine ja juhtimine
  - ! **töötamise ajal hoidke tööriista kinni korpuse ja käepideme halli värvi osadest** ⑬
  - hoidke õhutusavad H kinnikatmata
  - ärge suruge tööriistale liigselt; laske sellel enda heaks töötada
  - ! **kindlustage tera eesosa läbimist töödeldavast esemest kogu kolbisammu pikkuses** ⑭
- Efekttiivse saagimis sügavuse reguleerimine ⑮
  - ! **enne tööriista reguleerimist või tarkvute vahetust võtke aku välja**
  - kasutage kuuskantvõtit K mõlema kinnituspoldi J lahti- ja kinnikeeramiseks
  - libistage alust G ette/taha, et efektiivset saagimissügavust suurendada/vähendada

## TÖÖJUHISED

- Uputuslõiked ⑯
  - Süvendlõikust võib teostada puus ja muudes pehmetes materjalides, puurides eelnevalt ette ava
  - kasutage paksemat saetera

## ! enne tööriista reguleerimist või tarkvute vahetust võtke aku välja

- paigutage tera hammastega ülespoole
- märkige töödeldavale esemele soovitud lõikejoon
- hoidke tööriista nii, et tera ei puudutaks töödeldavat eset
- lülitage tööriist sisse ja suunake liikuv tera ettevaatlikult töödeldavale esemele
- pärast seda, kui tera on läbinud töödeldava eseme, jätkake lõikamist mööda märgitud lõikejoont

## ! ärge teostage süvendlõikust metalli

- Kasutage sobivaid saelehti ⑰
- Metallil saagimisel määrige saelehte regulaarselt õliga
- Saagimine materjali kahjustamata
  - enne töö algust katke lõikejoon mitme kihi laia kleeplindiga
  - asetage töödeldava eseme ilusam (pealmine) pool alati allapoole
- Lisateavet lugege aadressilt [www.skil.com](http://www.skil.com)

## HOOLDUS/TEENINDUS

- Tööriist pole mõeldud professionaalseks kasutamiseks
- Hoidke tööriist alati puhtana (eriti ventilatsioonivad H ②)
- ! **enne puhastamist eemaldage tööriistast aku**
- Tööriist on hoolikalt valmistatud ja testitud; kui tööriist sellest hoolimata rikki läheb, tuleb see lasta parandada SKILi elektriliste käsitööriistade volitatud remonditöökojas
  - toimetage **lahtimonteerimata** seade koos ostukviitungiga tarnijale või lähimasse SKILi lepingulisse töökohta (aadressid ja tööriista varuosade joonise leiate aadressilt [www.skil.com](http://www.skil.com))
- Arvestage sellega, et garantii ei hõlma seadme ülekoormamisest või ebaõigest käsitsemisest tulenevaid kahjustusi (teavet SKILi garantiitingimuste kohta vaadake veebilehelt [www.skil.com](http://www.skil.com) või küsige kohalikult müügiesindajalt)

## KESKKOND

- **Ärge visake kasutuskõlmatuks muutunud elektrilisi tööriistu, patareisid, lisatarvikuid ja pakendeid ära koos olmejäätmetega** (üksnes EL liikmesriikidele)
  - vastavalt Euroopa Parlamendi ja nõukogu direktiivile 2012/19/EÜ elektri- ja elektroonikaseadmete jäätmete kohta ning direktiivi nõuete kohaldamisele liikmesriikides tuleb kasutuskõlmatuks muutunud elektrilised tööriistad koguda eraldi ja keskkonnasäästlikult korduvkasutada või ringlusse võtta
  - seda meenutab Teile sümbol ⑱
- ! **enne aku kahjutustamist katke selle otsad kaitseks tugeva teibiga, et vältida lühisahela teket**

## MÜRA / VIBRATSIOON

- Standardiga EN 62841 kooskõlas mõõdetud tööriista helirõhu tase on 85,0 dB(A) ja helivõimsuse tase 96,0 dB(A) (määramatus K = 5 dB), ja vibratsioon
  - \* (ruumiliste vektorite summa; mootemääramatus K = 1,5 m/s<sup>2</sup>)
  - \* lõigates lauda 9,9 m/s<sup>2</sup>
  - \* puust latti saagimine 9,5 m/s<sup>2</sup>
- Tekkiva vibratsiooni tase on mõõdetud vastavalt standardis EN 62841 kirjeldatud standarditud testile;

se da võib kasutada tōōriistade vōrdlemiseks ja tōōriista kasutamisel ettenāhtud tōōdeks esineva vibratsiooni esialgseks hindamiseks

- tōōriista kasutamisel muudeks rakendusteks vōi teiste/halvasti hooldatud tarvikute kasutamisel vōib vibratsioon mārķimisivāārselt **suureneda**
- ajal, kui tōōriist on vāļjalūlitatud vōi on kūll sisselūlitatud, kuid tegelikult seda ei kasutata, vōib vibratsioon mārķimisivāārselt **vāheneda**

**! enda kaitsmiseks vibratsiooni eest hoolidage tōōriista ja selle tarvikuid korralikult, hoidke oma kāēd soojad ja tagage sujuv tōōkorraldus**

LV

## Bezkontakta bezvadu 3480 turpatpakaļkustības zāģis

### IEVADS

- Šis instruments ir paredzēts koka, plastmasas, metāla un celtniecības materiālu zāģēšanai, kā arī koku apcirpšanai; tas ir piemērots taisnu un izliektu griezumu veidošanai
- Šis darbarīks nav paredzēts profesionālai lietošanai
- Izlasiet un saglabājiet šo pamācību ③

### TEHNISKIE PARAMETRI ①

### INSTRUMENTA ELEMENTI ②

- A Fiksēšanas poga
- B Ieslēdzējs un griešanās ātruma regulators
- C Asmens skava
- D Bultiņa
- E Rokturis
- F Cilindra rokturis
- G Regulējama atbalsta plāksne
- H Ventilācijas atveres
- J Stiprinājumu skrūves
- K Sešstūra stienātslēga
- L Akumulatora uzlādes pakāpes indikators
- M Gaismas indikators
- N Slēdzis riņķveida kustībai

### DROŠĪBA

#### VISPĀRĒJIE NOTEIKUMI ELEKTROINSTRUMENTU DROŠAI LIETOŠANAI

**⚠ BRĪDINĀJUMS** Iepazīstieties ar visiem šī elektroinstrumenta drošas lietošanas noteikumiem, norādījumiem, attēliem un specifiskācijām. Visu turpmāk sniegto norādījumu neizpildes rezultātā lietotājs var ciest no elektrošoka, var izvērsties ugunsnelaime un/vai rasties smagi ievainojumi.

**Saglabājiet visus noteikumus un norādījumus turpmākai atsaucēi.**

Noteikumos minētais termins "elektroinstruments" nozīmē ar strāvu darbināmu (ar vadu aprīkotu) vai ar akumulatoru darbināmu (bezvadu) elektroinstrumentu.

#### 1) DROŠĪBA DARBA VIETĀ

- Sekojiēt, lai darba vieta būtu tīra un sakārtota.** Nekārtīgā darba vietā vai sliktā apgaismojumā var viegli notikt nelaimes gadījums.
- Nelietojiet elektroinstrumentu eksplozīvā vai ugunsnedrošu vielu tuvumā un vietās ar paaugstinātu gāzes vai putekļu saturu gaisā.** Darba laikā instruments nedaudz dzirksteļo, un tas var izsaukt viegli degošu putekļu vai tvaiku aizdegšanos.
- Lietojot elektroinstrumentu, nelaiūjiet nepiederošām personām un jo īpaši bērniem tuvojoties darba vietai.** Citu personu klātbūtnē var novērst uzmanību, un tā rezultātā jūs varat zaudēt kontroli pār instrumentu.

#### 2) ELEKTRODROŠĪBA

- Elektroinstrumenta kontaktdakšai jābūt piemērotai elektrotīkla kontaktligzdai. Kontaktdakšas konstrukciju nedrīkst nekādā veidā mainīt. Nelietojiet kontaktdakšas salāgotājus, ja elektroinstruments caur kabeli tiek savienots ar aizsargzemējuma ķēdi.** Neizmainītas konstrukcijas kontaktdakša, kas piemērota kontaktligzdai, ļauj samazināt elektriskā trieciena saņemšanas risku.
  - Darba laikā nepieskarieties saņemtiem priekšmetiem, piemēram, caurulēm, radiatoriem, plītiem vai ledusskapjiem.** Pieskaroties saņemtam virsmām, pieaug risks saņemt elektrisko triecienu.
  - Nelietojiet elektroinstrumentu lietus laikā, neturiet to mitrumā.** Mitrumam iekļūstot instrumentā, pieaug risks saņemt elektrisko triecienu.
  - Nenesiet un nepiekariet elektroinstrumentu aiz elektrokabeļa. Neraujiet aiz kabeļa, ja vēlaties atvienot instrumentu no elektrotīkla kontaktligzdas. Sargājiet elektrokabeli no karstuma, eļļas, asām šķautnēm un instrumenta kustīgajām daļām.** Bojāts vai samezģojies elektrokabelis var būt par cēloni elektriskajam triecienam.
  - Darbinot elektroinstrumentu ārpus telpām, izmantojiet tā pievienošanai vienīgi tādas pagarinātājkabeļus, kuru lietošana ārpus telpām ir atļauta.** Lietojot elektrokabeli, kas piemērots darbam ārpus telpām, samazinās risks saņemt elektrisko triecienu.
  - Ja elektroinstrumentu tomēr nepieciešams lietot vietās ar paaugstinātu mitrumu, izmantojiet tā pievienošanai noplūdes strāvas aizsargreleju.** Lietojot noplūdes strāvas aizsargreleju, samazinās risks saņemt elektrisko triecienu.
- #### 3) PERSONISKĀ DROŠĪBA
- Darba laikā saglabājiet paškontroli un rīkojieties saskaņā ar veselo saprātu. Pārtrauciet darbu, ja jūtaties noguris vai atrodaties alkohola, narkotiku vai medikamentu izraisītā reibumā.** Strādājot ar elektroinstrumentu, pat viens neuzmanības mirklis var būt par cēloni nopietnam savainojumam.
  - Izmantojiet individuālos darba aizsardzības līdzekļus un darba laikā vienmēr nēsājiet aizsargbrilles.** Individuālo darba aizsardzības līdzekļu (putekļu maskas, neslidošu apavu un aizsargķiveres vai ausu aizsargu) pielietošana atbilstoši elektroinstrumenta tipam un veicamā darba raksturam ļauj izvairīties no savainojumiem.
  - Nepieļaujiet elektroinstrumenta patvaļīgu ieslēgšanos. Pirms elektroinstrumenta**

- pievienošanas elektrotīklam, akumulatora ievietošanas vai izņemšanas, kā arī pirms elektroinstrumenta pārnesšanas pārliecinieties, ka tas ir izslēgts. Pārnesot elektroinstrumentu, ja pirksts atrodas uz ieslēdzēja, kā arī pievienojot to elektrobarošanas avotam laikā, kad elektroinstrumentis ir ieslēgts, var viegli notikt nelaimes gadījums.
- d) **Pirms instrumenta ieslēgšanas neaizmirstiet izņemt no tā regulējošos instrumentus vai skrūvjatslēgas.** Patronatslēga vai skrūvjatslēga, kas instrumenta ieslēgšanas brīdī nav izņemta no tā, var radīt savainojumu.
- e) **Strādājot ar elektroinstrumentu, ieturiet stingru stāju.** Darba laikā vienmēr saglabāiet līdzsvaru un centieties nepaslidēt. Tas atvieglos instrumenta vadību neparedzētās situācijās.
- f) **Izvēlieties darbam piemērotu apģērbu.** Darba laikā nenēsājiet brīvi plandošas drēbes un rotaslietas. Netuviniet garus matus un drēbes elektroinstrumenta kustīgajām daļām. Vaļiņas drēbes, rotaslietas un gari mati var ieķerties instrumenta kustīgajās daļās.
- g) **Ja elektroinstrumenta konstrukcija ļauj tam pievienot ārējo putekļu uzsūkšanas vai savākšanas/uzkrāšanas ierīci, sekojiet, lai tā tiktu pievienota elektroinstrumentam un pareizi darbotos.** Pielietojot putekļu uzsūkšanu vai savākšanu/uzkrāšanu, samazinās to kaitīgā ietekme uz strādājošās personas veselību.
- h) **Nepaļaujieties uz iemaņām, kas tiek iegūtas, bieži lietojot instrumentus, neieslīgstiet pašapmierinātībā un neignorējiet instrumenta drošas lietošanas principus.** Neuzmanīgas rīcības dēļ dažās sekundēs daļās var būt nopietnu savainojumu.
- 4) ELEKTROINSTRUMENTU LIETOŠANA UN APKOPE**
- a) **Nepārslēdziet elektroinstrumentu.** Katram darbam izvēlieties piemērotu instrumentu. Elektroinstrumenta darbosies labāk ar drošāku pie nominālās slodzes.
- b) **Nelietojiet elektroinstrumentu, ja ir bojāts tā ieslēdzējs.** Elektroinstrumentis, ko nevar ieslēgt un izslēgt, ir bīstams lietošanai un to nepieciešams remontēt.
- c) **Pirms elektroinstrumenta apkopes, regulēšanas vai darbinstrumenta nomainīšanas atvienojiet tā kontaktakšu no barojošā elektrotīkla vai izņemiet no tā akumulatoru, ja tas ir izņemams.** Šādi iespējams samazināt elektroinstrumenta nejaušas ieslēgšanās risku.
- d) **Elektroinstrumentu, kas netiek darbināts, uzglabāiet piemērotā vietā, kur tas nav sasniedzams bērniem un personām, kuras neprot rīkoties ar instrumentu.** Ja elektroinstrumentu lieto nekompetentas personas, tas var apdraudēt cilvēku veselību.
- e) **Savlaicīgi apkalpojiet elektroinstrumentus un to piederumus.** Pārbaudiet, vai kustīgās daļas darbojas bez traucējumiem un nav iespīlētas, vai kāda no daļām nav salauzta vai bojāta, vai katra no tām pareizi funkcionē un pilda tai paredzēto uzdevumu. Nodrošiniet, lai bojātās daļas tiktu savlaicīgi nomainītas vai remontētas pilnvarotā remontu darbnīcā. Daudzi nelaimes gadījumi notiek tāpēc, ka elektroinstrumentis pirms lietošanas nav pienācīgi apkalpots.
- f) **Savlaicīgi noīriet un uzasiniet griezošos darbinstrumentus.** Rūpīgi kopti instrumenti, kas apgādāti ar asiem griezējinstrumentiem, ļauj strādāt daudz ražīgāk un ir vieglāk vadāmi.
- g) **Lietojiet vienīgi tādus elektroinstrumentus, papildpiederumus, darbinstrumentus utt., kas paredzēti attiecīgajam pielietojuma veidam.** Bez tam jāņem vērā arī konkrētie darba apstākļi un pielietojuma īpatnības. Elektroinstrumentu lietošana citiem mērķiem, nekā to ir paredzējusi ražotājfirma, ir bīstama un var novest pie neparedzamām sekām.
- h) **Uzturiet elektroinstrumenta rokturus un noturvirsmas sausas un tīras, sargājiet tās no eļļas un smērvielām.** Slideni rokturi un noturvirsmas traucē efektīvi rīkoties ar elektroinstrumentu un to droši vadīt neparedzētās situācijās.
- 5) AKUMULATORA ELEKTROINSTRUMENTU LIETOŠANA**
- a) **Akumulatora uzlādei lietojiet tikai tādu uzlādes ierīci, ko ir ieteikusi elektroinstrumenta ražotājfirma.** Katra uzlādes ierīce ir paredzēta tikai noteikta tipa akumulatoram, un mēģinājums to lietot cita tipa akumulatoru uzlādei var novest pie uzlādes ierīces un/ vai akumulatora aizdegšanās.
- b) **Pievienojiet elektroinstrumentam tikai tādu akumulatoru, ko ir ieteikusi instrumenta ražotājfirma.** Cita tipa akumulatoru lietošana var novest pie elektroinstrumenta un/vai akumulatora aizdegšanās.
- c) **Laikā, kad akumulators ir atvienots no elektroinstrumenta, nepieļaujiet, lai tā kontakti saskartos ar spraudņiem, monētām, atslēgām, naglām, skrūvēm vai citiem nelielemi metāla priekšmetiem, kas varētu izraisīt īsslēgumu.** Īsslēgums starp akumulatora kontaktiem var izsaukt tā aizdegšanos un būt par cēloni ugunsgrēkam.
- d) **Nepareizi lietojot akumulatoru, no tā var izplūst šķidrāis elektrolīts.** Nepieļaujiet, ka elektrolīts nonāktu saskarē ar ādu. Ja tas tomēr nejausī ir noticis, noskalojiet elektrolītu ar ūdeni. Ja elektrolīts nonāk acīs, nekavējoties griezieties pie ārsta. No akumulatora izplūdušais elektrolīts var izsaukt ādas iekaisumu vai pat apdegumu.
- e) **Nelietojiet akumulatoru vai elektroinstrumentu, ja tas ir bojāts vai modificēts.** Bojāti vai modificēti akumulatori var radīt neparedzētās situācijas, kuru rezultātā var notikt aizdegšanās vai sprādziens, kā arī var rasties savainojuma risks.
- f) **Neturiet elektroinstrumentu vai akumulatoru uguns tuvumā vai vietā ar augstu temperatūru.** Elektroinstrumenta vai akumulatora atrašanās uguns tuvumā vai vietā, kur temperatūra pārsniedz 130°C, var izraisīt sprādzienu.
- g) **Levērtojiet visas uzlādes instrukcijas un neuzlādējiet akumulatoru vai elektroinstrumentu pie temperatūras, kas atrodas ārpus instrukcijā norādīto pieļaujamo temperatūras vērtību diapazona robežām.** Uzlādējot akumulatoru neatbilstošā veidā vai pie temperatūras, kas atrodas ārpus pieļaujamo temperatūras vērtību diapazona robežām, tas var tikt bojāts, kā arī var pieaugt aizdegšanās risks.
- 6) APKALPOŠANA**
- a) **Nodrošiniet, lai Instrumenta remontu veiktu kvalificēts personāls, nomaīnai izmantojot**

oriģinālās rezerves daļas un piederumus. Tikai tā iespējams panākt instrumenta ilgstošu un nevainojamu darbību bez atteikumiem.

- b) **Nekādā gadījumā neveiciet bojātu akumulatoru apkalpošanu.** Akumulatoru apkalpošanu drīkst veikt tikai ražotāji firma vai pilnvarots servisa speciālists.

## DARBA DROŠĪBAS NOTEIKUMI BEZVADU VIRZUĻZĀĢI

- **Veicot darbu, kura laikā elektroinstruments var skart slēptus elektriskos vadus, turiet instrumentu tikai aiz izolētajām virsmām** (elektroinstrumentam skarot spriegumnesošus vadus, spriegums nonāk arī uz instrumenta metāla daļām un var izraisīt elektrisko triecienu)
- **Izmantojiet skavas vai citā drošā veidā nostipriniet un atbalstiet detaļu uz stabilas virsmas** (turot detaļu rokās vai pie ķermeņa, tā var būt nestabila, un jūs varat zaudēt kontroli)

## PIEDERUMI

- Firma SKIL garantē instrumenta nevainojamu darbību tikai tad, ja tiek lietoti oriģinālie papildpiederumi
- Lietojiet tikai tādus darbinstrumentus, kuru pieļaujama darbības ātrums ir vismaz tikpat liels, kā instrumenta maksimālais brīvgaitas ātrums

## PIRMS DARBA UZSĀKŠANAS

- Izvairieties no instrumenta bojājumiem, ko var radīt apstrādājamajā priekšmetā esošās skrūves, naglas vai citi līdzīgi objekti; pirms darba uzsākšanas atbrīvojiet apstrādājamo materiālu no šādiem priekšmetiem
- **Ar piemērota metālmeklētāja palīdzību pārbaudiet, vai apstrādes vietu nešķērso slēptas elektropārvades līnijas, kā arī gāzes vai ūdens caurules; šaubu gadījumā griezieties vietējā komunālās saimniecības iestādē** (darbinstrumentam skarot elektroklā fāzes līniju, var izcelties ugunsgrēks un strādājošais var saņemt elektrisko triecienu; gāzes vada bojāums var izraisīt sprādzienu; darbinstrumentam skarot ūdensvada cauruli, var tikt bojātas materiālās vērtības un strādājošais var saņemt elektrisko triecienu)

## PERSONISKĀ DROŠĪBA

- Šo instrumentu nedrīkst izmantot personas, kas jaunākas par 16 gadiem
- **Neapstrādājiet materiālus, kas satur azbestu** (azbestam piemīt kancerogēnas īpašības)
- Materiāla, piemēram svīnu saturošas krāsas, dažu koka šķirņu, minerālu un metāla, putekļi var būt kaitīgi (saskare ar putekļiem vai to ieelpošana var izraisīt alerģiskas reakcijas un/vai elpošanas ceļu saslimšanas operatoram vai klātesošajiem); **izmantojiet putekļu masku un putekļsūcēju, ja to iespējams pievienot**
- Dažu veidu putekļi ir klasificēti kā kancerogēni (piemēram, ozola vai dižskābarža putekļi), jo īpaši apvienojumā ar koksnes kondicionēšanas piedevām; **izmantojiet putekļu masku un putekļsūcēju, ja to iespējams pievienot**
- Ievērojiet ar putekļu savākšanu saistītos nacionālos noteikumus, kas attiecas uz apstrādājamajiem materiāliem
- **Turiet rokas drošā attālumā no zāģes zonas un asmens; otru roku turēt uz cilindra roktura F ②** (ja zāģi tur ar abām rokām, gūt savainojumu ar asmeni nav iespējams)
- **Nepieskarieties ar rokām apstrādājamā priekšmeta apakšējai daļai** (jūs neredzēsiet, cik tuvu asmens ir jūsu rokām)

- **Neturiet zāģējamo priekšmetu rokās un neatbalstiet to pret kāju** (lai mazinātu savainojumu gūšanas risku, zāģa asmens iestrēgšanu, kā arī lai nezaudētu kontroli pār instrumentu, ir ļoti svarīgi pareizi atbalstīt apstrādājamo priekšmetu)
- **Neizmantojiet neaustu vai bojātus asmeņus** (saliekti asmeņi var viegli salūzt vai radīt atstienu)
- **Ņemot laukā no instrumenta asmeni, izmantojiet aizsargcimdus** (zāģa asmens pēc ilgākas lietošanas var būt karsts)
- Darba laikā uzvelciet aizsargbrilles un ausu aizsargus

## AKUMULATORI

- **Komplektā iekļautais akumulators ir daļēji uzlādēts** (lai nodrošinātu pilnu akumulatora jaudu, pirms elektroinstrumenta pirmās izmantošanas reizes uzlādējiet to pilnībā, izmantojot uzlādes ierīci)
- **Izmantojiet tikai instrumenta piegādes komplektā ietilpstošos akumulatorus un uzlādes ierīces**
  - SKIL akumulators: BR1\*31\*\*\*\*
  - SKIL uzlādes ierīce: CR1\*31\*\*\*\*
- Nelietojiet bojātu akumulatoru; tas nekavējoties jānomaina
- Neizjauciet akumulatoru
- Neatstājiet instrumentu/akumulatoru lietū
- Pieļaujamā apkārtējā gaisa temperatūra (instruments/lādētājs/akumulators):
  - uzlādes laikā 4...40°C
  - darba laikā -20...+50°C
  - uzglabāšanas laikā -20...+50°C

## UZ INSTRUMENTA/AKUMULATORA ATTĒLOTO SIMBOLU SKAIDROJUMS

- ③ Pirms izstrādājuma lietošanas izlasiet tā lietošanas pamācību
- ④ Nekādā gadījumā neievietojiet akumulatoru ugunī, jo tas var izraisīt sprādzienu
- ⑤ Uzglabājiet instrumentu, uzlādes ierīci un akumulatoru vietā, kur temperatūra nepārsniedz 50°C
- ⑥ Neizmetiet elektroiekārtas un baterijas ar sadzīves materiālus atkritumu

## DARBS

- Akumulatora uzlādēšana
  - ! **izlasiet uzlādes ierīces komplektā iekļautos drošas lietošanas noteikumus un norādījumus**
- Akumulatora izņemšana/ievietošana ②
- Akumulatora uzlādes pakāpes indikators ⑦
  - lai uzzinātu akumulatora uzlādes līmeni ⑦a, nospiediet akumulatora līmeņa rādītāja pogu L
  - ! **ja pēc pogas L ⑦b nospiešanas sāk mirgot zemākā akumulatora līmeņa rādītāja iedaļa, akumulators ir tukšs**
  - ! **ja pēc pogas L ⑦c nospiešanas sāk mirgot akumulatora līmeņa rādītāja iedaļas 2, akumulatora temperatūra ir ārpus atļautā darba diapazona**
- LED gaisma ⑧
  - ieslēdzot ieslēgšanas/izslēgšanas slēdzi, automātiski iedegas LED gaisma
  - ! **LED gaismai sākot mirgot, tiek aktivizēta akumulatora aizsardzība (skatīt zemāk)**
- Akumulatora aizsardzība
  - ierīce tiek tūlīt izslēgta vai arī to nav iespējams ieslēgt, ja
    - **slodze ir pārāk liela** --> samaziniet slodzi un ieslēdziet to no jauna



- **akumulatora temperatūra ir ārpus atļautā darba diapazona no -20 līdz +50 °C** --> nospiežot pogu L ⑦c, sāk mirgot akumulatora 2 līmeņa rādītāja iedaļas; pagaidiet, līdz akumulatora temperatūra atkal ir atļautajā darba diapazonā

- **akumulators ir gandrīz tukšs (aizsardzībai pret pilnīgu izlādi)** --> nospiežot pogu L, akumulatora līmeņa rādītājā ir attēlota zemākā akumulatora līmeņa rādītāja iedaļa vai mirgojoša zemākā akumulatora līmeņa rādītāja iedaļa ⑦b; uzlādējiet akumulatoru

**! pēc instrumenta automātiskas izslēgšanās nedrīkst spiest tā ieslēdzēju, jo tā var sabojāt akumulatoru**

- Kombinētais ieslēgšanas/izslēgšanas un ātruma regulēšanas slēdzis ar fiksēšanas pogu ⑨ ⑩
  - vispirms atbloķējiet, nospiežot pogu A
  - lai ieslēgtu instrumentu, nospiediet ieslēdzēju B
  - izmainot spiedienu uz ieslēdzēju, plūstoši regulējiet darbvārpstas griešanās ātrumu no nulles vērtības līdz maksimālajai
  - izslēdziet, atlaižot ieslēdzēju B
- Fiksēšanas pogu A var aktivizēt ⑨
  - aktivizēšanas gadījumā ieslēgšanas/izslēgšanas slēdzis tiek bloķēts, un tiek nodrošināts, ka ierīce nevar nejauši ieslēgties
- Zāga asmens iestiprināšana ⑪
  - ! pirms instrumenta regulēšanas vai piederumu nomaiņas izņemiet no instrumenta akumulatoru**
  - pagrieziet asmens skavu C tajā pašā virzienā kā bulta D uz rīka un turiet to šādā pozīcijā
  - ielieciet asmeni (ar zobiem uz leju vai uz augšu) līdz galam
  - atlaidiet asmens skavu C
  - iespiediet asmeni un izraujiet to, lai pārbaudītu, vai asmens ir pareizi nobloķējies
- Zāga asmens noņemšana ⑪
  - ! pirms instrumenta regulēšanas vai piederumu nomaiņas izņemiet no instrumenta akumulatoru**
  - pagrieziet asmens skavu C tajā pašā virzienā kā bulta D uz rīka un turiet to šādā pozīcijā
  - izvelciet laukā asmeni
  - atlaidiet asmens skavu C
- Riņķveida kustība ātrai sazāģēšanai ⑫
  - lai aktivizētu zāga asmens riņķveida kustību, pabīdīet slēdzi N tā, kā attēlots
  - ! riņķveida kustību nedrīkst aktivizēt, zāģējot metālu**
- Instrumenta darbināšana
  - ! stingri pieskavojiet apstrādājamo priekšmetu**
  - atzīmējiet uz apstrādājamā priekšmeta griezuma līniju
  - ievietojiet instrumentā akumulatoru
  - ar vienu roku turiet instrumentu aiz roktura E un ar otru aiz izolētā cilindra roktura F
  - ieslēdziet instrumentu
  - virziet instrumentu pa atzīmēto griezuma līniju
  - turiet atbalsta plāksni G cieši piespiestu apstrādājamajam priekšmetam, lai samazinātu pretspēku un vibrāciju
- Instrumenta turēšana un vadīšana
  - ! darba laikā vienmēr turiet instrumentu aiz pelēkās krāsas noturvirsmas(ām) ⑬**
  - nenosprostojiet instrumenta ventilācijas atveres H
  - darba laikā pārlieku nespiediet instrumentu; ļaujiet tam darboties nominālā režīmā

**! nodrošiniet, lai asmens priekšējais gals visā virzuļa gājiena garumā izietu cauri apstrādājamajam priekšmetam ⑭**

- Efektīvas zāģēšanas dziļuma iestādīšana ⑮
  - ! pirms instrumenta regulēšanas vai piederumu nomaiņas izņemiet no instrumenta akumulatoru**
  - abu stiprinājuma skrūvju J atskrūvēšanai un pievilkšanai izmantojiet sešstūru atslēgu K
  - pabīdīet atbalsta plāksni G uz priekšu/atpakaļ, lai palielinātu/samazinātu zāģēšanas dziļumu


## PRAKTISKI PADOMI

- Iegremdēšanas zāģēšana ⑯
  - legremdesanas griezumus var veikt kokā un citos mīksto materiālos, vispirms izurbjot tajos caurumu
  - izmantojiet biezu zāģa asmeni
  - ! pirms instrumenta regulēšanas vai piederumu nomaiņas izņemiet no instrumenta akumulatoru**
  - uzstādiēt asmeni ar zobiem uz augšu
  - atzīmējiet uz apstrādājamā priekšmeta vēlamu griezuma līniju
  - pielieciet instrumentu tā, lai asmens nepieskartos apstrādājamajam priekšmetam
  - ieslēdziet instrumentu un uzmanīgi virziet kustībā esošo zāģa asmeni apstrādājamajā priekšmetā
  - pēc tam, kad asmens ir izgājis cauri apstrādājamajam priekšmetam, turpiniet zāģēt pa atzīmēto griezuma līniju
- **! nemēģiniet veikt iegremdēšanas griezumus metālā**
- Lietojiet apstrādājamā materiāla īpašībām piemērotus zāģa asmeņus ⑰
- Zāģējot metālu, periodiski ieeļļojiet zāģa asmeni
- Zāģēšana bez apstrādājamā materiāla daļiņu atšķelšanas
  - pirms zāģēšanas pārklājiet zāģējuma līniju ar vairākiem slāņiem platas līmlentes
  - novietojiet apstrādājamo priekšmetu tā, lai zāģēšanas laikā dekoratīvā puse būtu vērsta lejup
- Papildu informāciju skatīt tīmekļa vietnē [www.skil.com](http://www.skil.com)

## APKALPOŠANA / APKOPE

- Šis darbarīks nav paredzēts profesionālai lietošanai
- Vienmēr uzturiet instrumentu tīru (īpaši ventilācijas atveres H ②)
- ! pirms tīrīšanas izņemiet no instrumenta akumulatoru**
- Ja, neraugoties uz augsto izgatavošanas kvalitāti un rūpīgo pērcārošanas pārbaudi, instruments tomēr sabojājas, tas jānogādā remontam firmas SKIL pilnvarotā elektroinstrumentu remonta darbnīcā
  - nogādājiet instrumentu **neizjauktā veidā** kopā ar iegādes dokumentiem tuvākajā tirdzniecības vietā vai firmas SKIL pilnvarotā pēciegādes apkalpošanas un remonta iestādē (adreses un instrumenta apkalpošanas shēma ir sniegta interneta vietnē [www.skil.com](http://www.skil.com))
- Ievērojiet, ka garantijā neietilpst pārslodzes vai nepareizas instrumenta ekspluatācijas izraisītie bojājumi (SKIL garantijas noteikumus skatiet [www.skil.com](http://www.skil.com) vai vērsieties pie izplatītāja)

## APKĀRTĒJĀS VIDES AIZSARDZĪBA

- **Neizmetiet elektroiekārtas, baterijas, piederumus un iesaiņojuma materiālus sadzīves atkritumos** (tikai ES valstīm)
  - saskaņā ar Eiropas Savienības direktīvu 2012/19/ES par nolietotajām elektriskajām un elektroniskajām iekārtām un tās atspoguļojumiem nacionālajā likumdošanā, nolietotās elektroiekārtas ir jāsavāc, jāizjauc un jānogādā atbilstoši pārstrādei apkārtējai videi nekaitīgā veidā
  - īpašs simbols  atgādina par nepieciešamību izstrādājumiem izmantot videi nekaitīgā veidā
- ! **pirms akumulatora utilizācijas tā kontakti jāaplīmē ar izolācijas lenti, lai nepieļautu īssavienojuma rašanos starp tiem**


## TROKSNIS / VIBRĀCIJA

- Veicot mērījumus atbilstoši EN 62841, šī instrumenta akustiskā spiediena līmenis ir 85,0 dB(A), akustiskās jaudas līmenis ir 96,0 dB(A) (nenoteiktība K = 5 dB), bet vibrācija \* (triksiālā vektora summa; nenoteiktība K = 1.5 m/s<sup>2</sup>)
  - \* koka plāksņu griešana 9,9 m/s<sup>2</sup>
  - \* zāģējot koka balķi 9,5 m/s<sup>2</sup>
- Vibrācijas līmenis ir noteikts, izmantojot standartā EN 62841 paredzēto procedūru; to var izmantot, lai salīdzinātu instrumentus un provizoriski izvērtētu vibrācijas iedarbību, lietojot instrumentu minētajiem mērķiem
  - instrumenta izmantošana citiem mērķiem vai ar citiem vai nepietiekami koptiem piederumiem var ievērojami palielināt kopējo vibrācijas iedarbības pakāpi
  - laika periodi, kad instruments ir izslēgts vai arī ir ieslēgts, taču darbs ar to nenotiek, var ievērojami samazināt kopējo vibrācijas iedarbības pakāpi
- ! **pasargājiet sevi no vibrācijas iedarbības, veicot instrumenta un tā piederumu tehnisko apkopi, novēršot roku atdzišanu un pareizi organizējot darbu**

LT

## Akumulātorinis švytuoklinis pūklas su bešpečiu variklis 3480

### ĪVADAS

- Šis priekšais skirts medžio, plastmasės, metalo ir statybinių medžiagų pjaustymui, taip pat medžių genėjimui ir karpymui; juo galima pjauti tiesiai ir lenktai
- Šis įrankis neskirtas profesionaliam naudojimui
- Perskaitykite ir išsaugokite šią naudojimo instrukciją 

### TECHNINIAI DUOMENYS


### PRIETAISO ELEMENTAI

- A Fiksavimo rankena
- B Jungiklis įjungimui/išjungimui ir greičiui valdyti
- C Geležts spaustuvas
- D Rodyklė
- E Rankena
- F Veleno griebtukas
- G Reguluojama atrama

- H Ventiliacinės angos
- J Tvirtinimo varžtai
- K Šešiabriaunis raktas
- L Akumuliatoriaus įkrovos indikatorius
- M Šviesos diodas
- N Jungiklis orbitiniam veikimui

## SAUGA

### BENDRIEJI ELEKTRINIŲ ĮRANKIŲ SAUGOS ĮSPĖJIMAI

 **ĮSPĖJIMAS Perskaitykite visus su šiuo elektriniu prietaisu pateiktus saugos perspėjimus, instrukcijas, paveikslėlius ir specifikacijas.** Nepaisant toliau pateiktų instrukcijų galite patirti elektros smūgi, įvykti gaisras ir / ar patirti rimtų sužalojimų.

Išsaugokite visus įspėjimus ir instrukcijas ateičiai.

Terminas „elektros įrankis“ įspėjimuose reiškia jūsų iš elektros tinklo (laidais) maitinamus įrankius arba elektros įrankius, veikiančius nuo baterijų (belaiddžius).

### 1) DARBO VIETOS SAUGUMAS

- Darbo vieta turi būti švari ir tvarkinga.** Netvarka ar blogai apšviesta darbo vieta gali tapti nelaimingų atsitikimų priežastimi.
- Nedirbkite tokioje aplinkoje, kur yra degių skysčių, dujų ar dulkių.** Elektriniai įrankiai gali kibirkščiuoti, o nuo kibirkščių dulksės arba susikaupę garai gali užsidegti.
- Dirbdami su elektriniu įrankiu neleiskite šalia būti žiūrovams, vaikams ir lankytojams.** Nukreipę dėmesį į kitus asmenis galite nebesuvaldyti prietaiso.

### 2) ELEKTROSAUGA

- Maitinimo laido kištukas turi atitikti tinklo rozetės tipą.** Kištuko jokių būdu negalima modifikuoti. Nenaudokite jokių kištuko adapterių su žemintais prietaisais. Originalūs kištukai, tiksliai tinkantys elektros tinklo rozetei, sumažina elektros smūgio pavojų.
  - Venkite kūno kontaktus su žemintais paviršiais, tokiais kaip vamzdžiai, šildytuvai, viryklės ar šaldytuvai.** Egzistuoja padidinta elektros smūgio rizika, jei Jūsų kūnas bus žemintas.
  - Saugokite prietaisą nuo lietaus ir drėgmės.** Jei vanduo patenka į elektrinį prietaisą, padidėja elektros smūgio rizika.
  - Nenaudokite maitinimo laido ne pagal paskirtį, t. y. neneškite prietaiso paėmę už laido, nekabinkite prietaiso už laido, netraukite už jo, norėdami išjungti kištuką iš rozetės.** Laidą klokite taip, kad jo neveiktų karštis, jis neišsitemptų alyva ir jo nepažeistų aštrios detalės ar judančios prietaiso dalys. Pažeisti arba susipynę laidai gali tapti elektros smūgio priežastimi.
  - Jei su elektriniu įrankiu dirbate lauke, naudokite tik tokius ilginimo kabelius, kurie tinka lauko darbams.** Naudojant lauko darbams pritaikytus ilginimo kabelius, sumažinamas elektros smūgio pavojus.
  - Jei su elektriniu įrankiu neišvengiamai reikia dirbti drėgnoje aplinkoje, naudokite žemininio grandinės pertraukiklį.** Naudojant žemininio grandinės pertraukiklį, sumažėja elektros smūgio pavojus.
- ### 3) ŽMONIŲ SAUGA
- Būkite atidūs, sutelkite dėmesį į tai, ką Jūs darote ir, dirbdami su elektriniu įrankiu, vadovaukitės sveiku**

**protu. Nedirbkite su prietaisu, jei esate pavargę arba vartojote narkotikus, alkoholį ar medikamentus.**

Akimirkšnio neatidumas naudojant prietaisą gali tapti rimtu sužalojimų priežastimi.

- b) **Naudokite asmenines apsaugos priemones ir visuomet užsidėkite apsauginius akinius.** Naudojant asmenines apsaugos priemones, pvz., respiratorių ar apsauginę kaukę, neslystančius batus, apsauginį šalimą, klausos apsaugos priemones ir kt., rekomenduojamas dirbant su tam tikros rūšies įrankiais, sumažėja rizika susižeisti.
  - c) **Saugokitės, kad neįjungtumėte prietaiso atsitiktinai. Prieš prijungdami elektrinį įrankį prie elektros tinklo ir/arba akumulatoriaus, prieš pakeldami ar nešdami įsitikinkite, kad jis yra išjungtas.** Jeigu nešdami elektrinį įrankį pirštą laikysite ant jungiklio arba prietaisą įjungsite į elektros tinklą, kai jungiklis yra įjungtas, gali įvykti nelaimingas atsitikimas.
  - d) **Prieš įjungdami prietaisą pašalinkite reguliavimo įrankius arba veržlių raktus.** Prietaiso besisukančioje dalyje esantis įrankis ar raktas gali tapti sužalojimų priežastimi.
  - e) **Nepervertinkite savo galimybių. Dirbdami atsistokite patikimai ir visada išlaikykite pusiausvyrą.** Patikima stovėseną ir tinkama kūno laikysena leis geriau kontroliuoti prietaisą netikėtose situacijose.
  - f) **Dėvėkite tinkamą aprangą. Nedėvėkite plačių drabužių ir papuošalų. Saugokite plaukus ir drabužius nuo besisukančių elektrinio įrankio dalių.** Laisvus drabužius, papuošalus bei ilgus plaukus gali įtraukti besisukančios dalys.
  - g) **Jei yra numatyta galimybė prijungti dulkių nusiurbimo ar surinkimo įrenginius, visada įsitikinkite, ar jie yra prijungti ir ar teisingai naudojami.** Naudojant dulkių nusiurbimo įrenginius sumažėja kenksmingas dulkių poveikis.
  - h) **Dažnai naudodami įrankį ir gerai su juo susipažinę pernelyg neatsipalaiduokite ir nepradėkite nepaisyti įrankio saugos principų.** Neatidus veiksmas gali sukelti sunkią traumą per sekundės dalį.
- #### 4) RŪPESTINGA ELEKTRINIŲ ĮRANKIŲ PRIEŽIŪRA IR NAUDOJIMAS
- a) **Neperkraudkite prietaiso. Naudokite Jūsų darbui tinkamą elektrinį įrankį.** Su tinkamu elektriniu įrankiu Jūs dirbsite geriau ir saugiau, jei neviršysite nurodyto galingumo.
  - b) **Nenaudokite elektrinio įrankio su sugedusiu jungikliu.** Elektrinis įrankis, kurio nebe galima įjungti ar išjungti, yra pavojingas ir jį reikia remontuoti.
  - c) **Prieš reguliuodami prietaisą, keisdami darbo įrankius ar prieš valydami prietaisą, iš elektros tinklo lizdo ištraukite kištuką ir/arba išimkite akumulatorių, jeigu jis išimamas.** Ši saugumo priemonė apsaugos juos nuo netikėto prietaiso įsijungimo.
  - d) **Nenaudojamą prietaisą sandėliuokite vaikams ir nemokantiems juo naudotis asmenims neprieinamoje vietoje.** Elektriniai įrankiai yra pavojingi, kai juos naudoja nepatyrę asmenys.
  - e) **Pržiūrėkite elektrinį įrankį ir priedus. Tikrinkite, ar besisukančios prietaiso dalys tinkamai veikia ir niekur nekliūva, ar nėra sulūžusių ar šiaip pažeistų dalių, kurios įtakotų prietaiso veikimą.** Prieš vėl naudojant prietaisą pažeistos prietaiso dalys turi būti

suremontuotos. Daugelio nelaimingų atsitikimų priežastis yra blogai prižiūrimi elektriniai įrankiai.

- f) **Pjovimo įrankiai turi būti aštrūs ir švarūs.** Rūpestingai prižiūrėti pjovimo įrankiai su aštriomis pjaunamosiomis briaunomis mažiau stringa ir juos yra lengviau valdyti.
  - g) **Elektrinį įrankį, papildomą įrangą, darbo įrankius ir t. t. naudokite taip, kaip nurodyta šioje instrukcijoje. Taip pat atsižvelkite į darbo sąlygas bei atliekamo darbo pobūdį.** Naudojant elektrinius įrankius ne pagal jų paskirtį galima sukelti pavojingas situacijas.
  - h) **Rankenos ir suėmimo paviršiai turi būti sausi, švarūs, ant jų neturi būti alyvos ir tepalų.** Dėl slidžių rankenų ir suėmimo paviršių negalėsite saugiai išlaikyti ir suvaldyti įrankio netikėtose situacijose.
- #### 5) RŪPESTINGA AKUMULIATORINIŲ ĮRANKIŲ PRIEŽIŪRA IR NAUDOJIMAS
- a) **Akumulatoriaus krovimui naudoti tik tuos įkroviklius, kuriuos rekomenduoja gamintojas.** Naudojant kitokio tipo akumulatoriams skirtą įkroviklį, kyla gaisro pavojus.
  - b) **Su prietaisu galima naudoti tik jam skirtą akumulatorių.** Naudojant kitokius akumulatorius atsiranda pavojus susižeisti bei sukelti gaisrą.
  - c) **Nelaikykite sąvaržėlių, monetų, raktų, vinių, varžtų ar kitokių metalinių daiktų arti ištraukto iš instrumento akumulatoriaus kontaktų.** Užtrumpinus akumulatoriaus kontaktus galima nusidenginti ar sukelti gaisrą.
  - d) **Netinkamai naudojant akumulatorių, iš jo gali išstėkėti skystis. Venkite kontakto su šiuo skystičiu.** Jei skystis pateko ant odos, nuplaukite jį vandeniu, jei pateko į akis - nedelsiant kreipkitės į gydytoją. Akumulatoriaus skystis gali sukelti odos sudirginimą ar nudegimus.
  - e) **Nenaudokite pažeisto arba perdaryto akumulatoriaus arba įrankio.** Sugadinti arba perdaryti akumulatoriai gali veikti nenuspėjamai – sukelti gaisrą, sproginimą arba traumų pavojų.
  - f) **Saugokite akumulatorių arba įrankį nuo ugnies ir aukštos temperatūros.** Patekęs į ugnį arba aukštesnę nei 130°C temperatūrą, jis gali sprogti.
  - g) **Vykdykite visas įkrovimo instrukcijas ir nekraudkite akumulatoriaus arba įrankio temperatūroje, neatitinkančioje instrukcijoje nurodyto temperatūros diapazono ribų.** Netinkamai kraunant arba jeigu temperatūra neatitinka nurodyto diapazono ribų, gali sugesti akumulatorius ir kilti gaisras.
- #### 6) APTARNAVIMAS
- a) **Prietaisą turi remontuoti tik kvalifikuotas specialistas ir naudoti tik originalias atsargines dalis.** Taip galima garantuoti, jog prietaisas išliks saugus.
  - b) **Niekada neatlikite pažeisto akumulatoriaus techninės priežiūros.** Akumulatorių techninę priežiūrą turi atlikti tik gamintojas arba įgaliotasis techninės priežiūros atstovas.

#### SAUGOS NUORODOS DIRBANTIEMS SU BELAIDŽIAI SLANKIOJANTYS PŪKLAI

- Jei atliekate darbus, kurių metu darbo įrankis gali kliudyti paslėptus elektros laidus, tuomet elektrinį įrankį laikykite už izoliuotų rankenų paviršių

(palietus laidą, kuriuo teka elektros srovė, metalinėse elektrinio įrankio dalyse gali atsirasti įtampa ir ištikti elektros smūgis)

- **Dirbinį prieš stabiliaus pagrindo pritvirtinkite spaustuvais ar kitomis tinkamomis priemonėmis** (rankoje laikomas ar į kūną atremtas dirbiny yra nestabilus ir galite nesuvaldyti jo arba įrankio)

#### PRIEDAI

- SKIL gali garantuoti nepriekaištingą prietaiso veikimą tik tuo atveju, jei naudojama originali papildoma įranga ir priedai
- Leidžiama naudoti tik tokius įrankius, kurių maksimalus leistinas apsisukimų skaičius yra ne mažesnis, nei maksimalus Jūsų prietaiso sūkių skaičius

#### PRIEŠ EKSPLOATACIJĄ

- Saugokite, kad nepažeistumėte prietaiso į ruošinįje esančius varžtus, vinis ir pan; prieš pradėdami darbą juos pašalinkite
- **Naudokite tam skirtus paieškos prietaisus, patikrinkite, ar gręžimo vietoje nėra paslėptų komunalinių tinklų vamzdžių, arba pasikvieskite į pagalbą vietinius komunalinių paslaugų tiekėjus** (kontaktas su elektros laidais gali sukelti gaisro bei elektros smūgio pavojų; pažeidus dujotiekio vamzdį, gali įvykti sprogimas; pažeidus vandentiekio vamzdį, galima pridaryti daugybę nuostolių bei sukelti elektros smūgio pavojų)

#### ŽMONIŲ SAUGA

- Šį prietaisą turėtų naudoti tik asmenys, kuriems 16 ir daugiau metų
- **Draudžiama apdirbti medžiagas, kurių sudėtyje yra asbesto** (asbestas pasižymi vėžį sukeliančiu poveikiu)
- Kai kurių medžiagų, kaip antai dažų, kurių sudėtyje yra švino, kai kurių medžių rūšių medienos, mineralų ir metalo dulkės gali būti kenksmingos (kontaktas su šiomis dulkėmis arba įkvėptos dulkės gali sukelti operatoriui arba šalia esantiems žmonėms alergines reakcijas ir/arba kvėpavimo sistemos susirgimus); **mūvėkite priešdulkinę puskaukę arba dirbdami naudokite dulkių ištraukimo įrenginį, jei jį galima prijungti**
- Kai kurių rūšių dulkes priskiriamos kancerogeninėms (pvz., ažuolo arba buko medienos dulkės), ypač susimaišiusios su medienos taurinimui naudojamais priedais; **mūvėkite priešdulkinę puskaukę arba dirbdami naudokite dulkių ištraukimo įrenginį, jei jį galima prijungti**
- Vadovaukitės Jūsų šalyje taikomų direktyvų reikalavimais, skirtais medžiagoms, su kuriomis norite dirbti
- **Patraukite rankas nuo pjovimo vietos ir geležtės; antrą ranką padėkite ant veleno griebtuvu F ②** (jei abiem rankom laikysite pjūklą, pjūklo diskas jų negalės sužeisti)
- **Nelieskite apdirbamo ruošinio apačios** (jums nematomas atstumas nuo geležtės iki jūsų rankos)
- **Pjaunamo ruošinio niekada nelaikykite rankose ar pasidėję ant kojos** (labai svarbu ruošinį tinkamai paremti, kad išlaikytumėte stabilų kūno padėtį, neužstrigtų pjūklo diskas ar neparastumėte kontrolės)
- **Nenaudokite neaštrių ir pažeistų pjūklo diskų** (lenkiamos geležtės gali lengvai lūžti arba sąlygoti atatranką)
- **Išimdami geležtę iš prietaiso mūvėkite apsaugine pirštines** (pjūklo geležtė po ilgesnio naudojimo gali būti įkaitusi)
- Užsidėkite apsauginius akinius ir klausos apsaugos priemones

#### AKUMULATORIAI

- **Pridedama baterija yra iš dalies įkrauta** (norint užtikrinti baterijos galingumą, visiškai įkraukite bateriją įkroviklyje prieš pirmą kartą naudodami elektrinį įrankį)
- **Naudokite tik tokias kartu su šiuo prietaisu tiekiamas baterijas**
  - „SKIL“ baterija: BR1\*31\*\*\*\*
  - „SKIL“ įkroviklis: CR1\*31\*\*\*\*
- Nenaudokite pažeistų akumuliatorių baterijų, jas būtina pakeisti
- Negalima išmontuoti baterijos
- Jokių būdu nepalikite prietaiso / baterijų, kai lyja
- Leidžiamoji aplinkos temperatūra (prietaiso/įkroviklio/akumuliatorių):
  - įkraunant 4...40°C
  - įrankiui veikiant -20...+50°C
  - sandėliuojant -20...+50°C

#### ANT PRIETAISO/BATERIJOS ESANČIŲ SIMBOLIŲ REIKŠMĖS

- ③ Prieš naudodami įrankį perskaitykite instrukcijų vadovą
- ④ Įmesti į ugnį akumulatoriai sprogs, jų nedeginkite jokiais sumetimais
- ⑤ Patalpos, kurioje laikomas prietaisas, akumuliatorių įkroviklis ar akumulatorius, temperatūra neturi viršyti 50°C
- ⑥ Nemeskite elektrinių įrankių ir baterijos į buitinių atliekų konteinerius

#### NAUDOJIMAS

- Akumuliatoriaus įkrovimas
  - ! **Skaitykite saugos įspėjimus ir instrukcijas, pateiktas kartu su įkrovikliu**
- Baterijų išėmimas ir įdėjimas ②
- Akumuliatoriaus įkrovos indikatorius ⑦
  - paspaudus akumuliatoriaus įkrovos lygio indikatorius mygtuką L rodomas esamas akumuliatoriaus įkrovos lygis, ⑦a pav.
  - ! **jei paspaudus mygtuką L ima mirksėti žemiausio akumuliatoriaus įkrovos lygio indikatorius, kaip parodyta ⑦b pav., akumuliatorius yra išsikrovęs**
  - ! **jei paspaudus mygtuką L ima mirksėti 2 akumuliatoriaus įkrovos lygio indikatorius segmentai, kaip parodyta ⑦c pav., akumuliatoriaus temperatūra yra už leidžiamosios darbinės temperatūros intervalo ribų**
- Šviesos diodas ⑧
  - Šviesos diodas įsižiebia įjungus įjungimo arba išjungimo jungiklį
  - ! **jei šviesos diodas ima mirksėti, suveikė akumuliatoriaus apsauga (žr. toliau)**
- Akumuliatoriaus apsauga
  - Prietaisas staiga išsijungia arba jo nepavyksta įjungti, jei - **apkrova yra per didelė** --> pašalinkite apkrovą ir vėl paleiskite prietaisą
  - **akumuliatoriaus temperatūra nepatenka į leidžiamosios darbinės temperatūros intervalą (nuo -20 iki 50 °C)** --> paspaudus mygtuką L ima mirksėti 2 akumuliatoriaus įkrovos lygio indikatorius segmentai, kaip parodyta ⑦c pav.; palaukite, kol akumuliatoriaus temperatūra grįš į leidžiamosios darbinės temperatūros intervalą
  - **akumuliatorius beveik išsikrovęs (apsauga nuo visiško išsikrovimo)** --> paspaudus mygtuką L

įsiziėbia arba mirksi žemo akumulatoriaus įkrovos lygio indikatorius, kaip parodyta 7b pav.; pakeiskite akumulatorių

**! jei instrumentas išsijungė automatiškai, nelaikykite nuspaudę jo jungiklio, nes taip galima sugadinti akumulatorių**

- Jungiklis su fiksavimo mygtuku įjungti ir išjungti prietaisą bei reguliuoti greitį 9 10
  - pirmiausia atrakininkite, paspausdami mygtuką A
  - prietaisas įjungiamas nuspaudžiant jungiklį B
  - stipriau ar silpniau spaudžiant jungiklį, apsisukimų skaičių galima sklandžiai reguliuoti nuo 0 iki maksimalaus
  - išjunkite prietaisą, atleisdami gaiduką B
- Fiksavimo mygtuką A galima įjungti 9
  - įjungus, įjungimo / išjungimo jungiklis blokuojamas ir prietaisas apsaugomas nuo netyčinio įjungimo
- Pjūklo geležtės montavimas 11
  - ! atlikdami bet kokius pakeitimus arba pavyzdžiai keisdami priedus, išimkite bateriją**
  - pasukite geležtės spaustuvą C ant prietaiso D esančios rodyklės kryptimi ir laikykite šioje pozicijoje
  - įstatykite geležtę (dantukais į viršų ar apačią) iki galo
  - atleiskite geležtės spaustuką C
  - pabandykite pajudinti geležtę visomis kryptimis, kad įsitikintumėte, ar ji užfiksuota teisingai

- Pjūklo geležtės nuėmimas 11
  - ! atlikdami bet kokius pakeitimus arba pavyzdžiai keisdami priedus, išimkite bateriją**
  - pasukite geležtės spaustuvą C ant prietaiso D esančios rodyklės kryptimi ir laikykite šioje pozicijoje
  - ištraukite geležtę
  - atleiskite geležtės spaustuką C
- Orbitinis veikimas greitam pjūvimui 12
  - kad aktyvuotumėte pjūklo geležtės orbitinį veikimą, naudokite jungiklį N kaip parodyta iliustracijoje

**! neaktyvuokite orbitinio veikimo pjaudami metalą**

- Prietaiso naudojimas
  - ! saugiau pritvirtinkite pjaunamą daiktą**
  - pažymėkite pjovimo liniją ant pjaunamo objekto
  - prijunkite bateriją ant įrankio
  - įrankį viena ranka laikykite už rankenos E , o kita - už atskirto veleno griebtuko F
  - įjunkite prietaisą
  - kreipkite įrankį pažymėta pjovimo linija
  - tvirtai laikykite atramą G prieš pjaunamą daiktą, kad sumažintumėte pasipriešinimą ir vibraciją
- Prietaiso laikymas ir valdymas
  - ! dirbdami laikykite prietaisą už pilkos spalvos suėmimo vietos(-ų) 13**
  - ventiliacines angas H laikykite neuždengtas
  - nespauskite įrankį pernelyg stipriai; tegul įrankį dirba už Jus
  - ! įsitikinkite, ar pjūklo geležtė eina už pjaunamo daikto per visą mojų 14**

- Veiksmingai pjovimo gylis reguliavimas 15
  - ! atlikdami bet kokius pakeitimus arba pavyzdžiai keisdami priedus, išimkite bateriją**
  - naudokite šešiakampį raktą K atlaisvinti ir pritvirtinti abu tvirtinimo varžtus J
  - stumkite slankiąją atramą G pirmyn / atgal, norėdami padidinti / sumažinti veiksmingą pjovimo gylį

## NAUDOJIMO PATARIMAI

- Pasinerti pjovimo 16
  - Smeigiamuosius pjūvius galima padaryti medienoje ir kitose minkštosse medžiagose negrežiant skylės
  - naudokite storas pjūkle geležtes
  - ! atlikdami bet kokius pakeitimus arba pavyzdžiai keisdami priedus, išimkite bateriją**
  - primontuokite geležtę dantukais į viršų
  - pažymėkite reikiamą pjovimo liniją ant pjaunamo daikto
  - pakreipkite įrankį taip, kad geležtė neliestų pjaunamo daikto
  - įjunkite įrankį ir atsargiai nuleiskite judančią geležtę prie pjaunamo daikto
  - geležtei įsikverbus į pjaunamą daiktą pjaukite pažymėta pjovimo linija
  - ! nedarykite smeigiamųjų pjūvių metalinėse medžiagose**
- Naudokite tinkamus pjūklelius 17
- Pjaudami metalą periodiškai sutepkite pjūklelį alyva
- Pjovimas be atplaišų
  - prieš pjaudami pjūvio liniją užklijuokite kelias sluoksnišias lipnios juostos
  - apverskite ruošinį gerąja puse į apačią
- Daugiau informacijos rasite internete [www.skil.com](http://www.skil.com)

## PRIEŽIŪRA / SERVISAS

- Šis įrankis neskirtas profesionaliam naudojimui
- Periodiškai valykite prietaisą (ypač ventiliacines angas H 2)
- ! prieš valant, išimkite bateriją iš įrankio**
- Jeigu prietaisas, nepaisant gamykloje atliekamo kruopštaus gamybos ir kontrolės proceso, vis dėlto sugestų, jo remontas turi būti atliekamas įgaliotose SKIL elektrinių įrankių remonto dirbtuvėse
  - **neišardytą** prietaisą kartu su pirkimo čekiu siųskite tiekėjui arba į artimiausią SKIL firmos įgaliotą elektros prietaisų techninio aptarnavimo tarnybą (adresus bei atsarginių dalių brėžinius rasite [www.skil.com](http://www.skil.com))
- Turėkite omeny, kad garantija netaikoma, jei gedimas atsiranda dėl perkrovos ar netinkamo naudojimo (dėl SKIL garantijos sąlygų žr. [www.skil.com](http://www.skil.com) arba kreipkitės į jus aptarnaujantį prekybos atstovą)

## APLINKOSAUGA

- **Nemeskite elektrinių įrankių, baterijos, papildomos įrangos ir pakuočių į buitinių atliekų kontenerius** (galioja tik ES valstybėms)
  - pagal ES Direktyvą 2012/19/EG dėl naudotų elektrinių ir elektroninių prietaisų atliekų utilizavimo ir pagal vietinius valstybės įstatymus atitarnavę elektriniai įrankiai turi būti surenkami atskirai ir gabenami į antrinių žaliavų tvarkymo vietas, kur jie turi būti sunaikinami ar perdirbami aplinkai nekenksmingu būdu
  - apie tai primins simbolis 6, kai reikės išmesti atitarnavusį prietaisą
  - ! prieš išmesdami bateriją apvyniokite jos galus, kad netyčia nekiltų paviršinio nuotėkio srovė**

## TRIUKŠMINGUMAS / VIBRACIJA

- Išmatuotas pagal EN 62841, šio instrumento garso slėgio lygis yra 85,0 dB(A), garso galios lygis 96,0 dB(A) (neapibrėžtis K = 5 dB), vibracija \* (triaušo vektorius

suma; neapibrēžtīs K = 1,5 m/s<sup>2</sup>)

\* plokščiū pļovimas 9,9 m/s<sup>2</sup>

\* medines sijās pļovimas 9,5 m/s<sup>2</sup>

- Vibrācijas sklaidos ļyģis iřmatuotas pagal standarte EN 62841 iřdēstytus standartizuoto bandymo reikalavimus; ři vertē gali būti naudojama vienam įrankiui palyginti su kitu bei iřankstiniam vibrācijas poveikiui įvertinti, kai įrankis naudojamas paminėtais būdais
  - naudojant įrankį kitokiais būdais arba su kitokiais bei netinkamai prižiūrimais priedais, gali žymiai **padidėti** poveikio ļyģis
  - laikotarpiams, kai įrankis išjungtas arba yra įjungtas, tačiau juo nedirbama, gali žymiai **sumažėti** poveikio ļyģis
- ! **apsisaugokite nuo vibrācijas poveikio prižiūredami įrankį ir jo priedus, laikydami rankas řiltai ir derindami darbo ciklus su pertraukėlėmis**

МК

## Акумуляторска реципрочна пила без четка 3480

### УПАТСТВО

- Овој алат е наменет за сечење на дрво, пластика, метал и градежни материјали, како и отсенување на дрва и кратење; ова е корисно за праволиниски и заоблени засеци
- Овој алат не е наменет за професионална употреба
- Внимателно прочитајте го и зачувајте го ова упатство за ракување ③

### ТЕХНИЧКИ ПОДАТОЦИ ①

#### ЕЛЕМЕНТИ НА АЛАТОТ ②

- A Копче за заклучување
- B Прекинувач за вклучување/исклучување и контрола на брзината
- C Држач за сечиво
- D Стрелка
- E Дршка
- F Кружната дршка
- G Основна плоча која се прилагодува
- H Отвори за вентилација
- J Завртки за затегнување
- K Хексагонален клуч
- L Индикатор за нивото на батеријата
- M ЛЕД-светилки
- N Прекинувач за планетарно движење

### БЕЗБЕДНОСТ

#### ОПШТИ ПРЕДУПРЕДУВАЊА ЗА БЕЗБЕДНОСТ НА ЕЛЕКТРИЧНИТЕ АЛАТИ

**⚠ ПРЕДУПРЕДУВАЊЕ** Прочитајте ги сите безбедносни предупредувања, упатства, слики и спецификации што се обезбедуваат со овој алат. Непочитувањето на сите упатства подолу може да доведе до електричен удар, пожар и/или сериозна повреда..

#### Чувајте ги сите предупредувања и упатства за понатамошно упатување.

Поимот “електричен алат”, кој се користи во понатамошниот текст, се однесува на вашиот електричен алат (со приклучен кабел) и на електрични алати со погон на батерии (без приклучен кабел).

#### 1) БЕЗБЕДНОСТ НА РАБОТНОТО МЕСТО

- Одржувајте го вашето работно место чисто и уредно.** Неуреден или темен работен простор може да предизвикаат незгоди.
- Немојте да работите со уредот во средина во која има опасност од експлозија, во која има запалливи течности, гасови и прашина.** Електричните алати произведуваат искри кои можат да запалат прашина или пареа.
- За време на употребата на електричниот алат, децата и останатите лица држете ги подалеку од местото нае работите.** Одвркање, би можеле да изгубите контрола врз уредот.

#### 2) ЕЛЕКТРИЧНА СИГУРНОСТ

- Утикач мора да одговара на приклучокот. Никано не смее да се прават измени на штекерот. Не користете адаптерски штекер заедно со уредот кој е заштитно заземјен.** Не променети штекери и соодветни приклучоци го намалуваат ризикот од електричен удар.
- Избегнувајте допир на телото со заземјени површини, како што се цевки, радијатори, рерни и фрижидери.** Постои зголемена опасност од струен удар, доколку Вашето тело е заземјено.
- Чувајте го уредот подалеку од дожд и влага.** Продирањето на вода во електричниот уред ја зголемува опасноста од струен удар.
- Не злоупотребувајте го приклучниот кабел за носење, бесење на уредот или за извлекување на штекерот од мрежниот приклучок. Чувајте го кабелот подалеку од топлина, масло, остри рабови или деловите на апаратот кои се движат.** Оштетени или заплеткани кабли ја зголемуваат опасноста од струен удар.
- Кога го употребувате полначот надвор, користете продолжен кабел кој е соодветен за употреба на отворен простор.** Примената на продолжен кабел соодветен за работа на отворен простор ја намалува опасноста од струен удар.
- Доколку не може да се избегне работа со електричниот алат во влажна средина, користете прекинувач за струјна заштита при технички проблеми.** Употребата на прекинувачот за струјна заштита при технички проблеми го намалува ризикот од електричен удар.

#### 3) ЛИЧНА ЗАШТИТА

- Бидете внимателни, внимавајте што правите и постапувајте внимателно додена работите со електричниот алат. Не работете со уредот доколку сте уморни или под дејство на дрога, алкохол или лекови.** Еден момент на невнимание при употребата може да доведе до сеиозни повреди.
- Носете ја личната заштитна опрема и сеногаш носете заштитни очила.** Носењето на личната заштитна опрема, како што е маската за прашина, безбедносната облека која не се лизга, заштитен

шлем или штитник за слух, зависно од видот и примената на електричниот алат, ја намалува опасноста од повреда.

- c) **Избегнувајте невнимателно вклучување за време на работата. Осигурајте се прекинувачот да биде во “OFF” позиција пред да го ставите штенерот во приклучокот.** Доколку го носите електричниот алат со прстот на прекинувачот или го приклучувате апаратот кој е приклучен со напојување на струја, може да предизвикате незгоди.
- d) **Пред вклучување на уредот, тргнете ги алатите за подесување или клучот за навртување.** Алатот или клучот кој се наоѓа во вртливиот дел на уредот, може да предизвика незгода.
- e) **Не ги преценувајте своите способности. Завземете сигурен и стабилен став и во секој момент одржувајте рамнотежа.** На тој начин можете подобро да го контролирате уредот во неочекувани ситуации.
- f) **Носете соодветна облека. Не носете широка облека или накит.** Њосата и алиштата треба да бидат подалеку од подвижните делови. Широка облека, накитот или долгата коса може да се закачат за подвижните делови.
- g) **Доколку може да се монтираат направи за вшмукување и фаќање прашина, проверете дали се вклучени и дали можат исправно да се користат.** Примената на овие направи ја намалува опасноста од прашината.
- h) **Не дозволувајте искуството стекнато со честа употреба на алатите да ве направи спокойни и да ги игнорирате безбедносните принципи при неговото користење.** Невнимателно движење може да предизвика сериозни повреди во дел од секунда.
- 4) **ВНИМАТЕЛНА УПОТРЕБА И РАКУВАЊЕ СО ЕЛЕКТРИЧНИТЕ АЛАТИ**
  - a) **Не го преоптеретувајте уредот.** При вашата работа користете го предвидениот електричен алат за таа употреба. Со соодветниот електричен алат ќе работите подобро и посигурно во наведената функционална област.
  - b) **Не користете електричен алат чиј прекинувач е неисправен.** Електричниот алат кој повеќе не може да се вклучува и исклучува е опасен и мора да се поправи.
  - c) **Исклучете го електричниот алат од струја и/или извадете го комплетот со батерии, ако се одделува, пред да правите некакви прилагодувања, менувате дополнителна опрема или да го складирате електричниот алат.** Со овие мерки на внимателност ќе се избегне невнимателното вклучување на уредот.
  - d) **Тргнете го електричниот алат кој не го користите од допирот на децата. Не допуштајте работа со уредот на лица кои не се запознаени со него или кои го немаат прочитано ова упатство.** Електричните алати се опасни доколку со нив работат неискусни лица.
  - e) **Одржувајте го електричниот алат и дополнителната опрема. Имајте контрола околу тоа дали движечките делови на уредот работат беспрекорно и дали не се заглавени, дали деловите се скршени или оштетени до таа мерка**

што не може да се обезбеди функционирање на уредот. Пред примената, овие оштетени делови треба да се поправат. Причина за многу незгоди е лошо одржуваниот електричен алат.

- f) **Алатите за сечење одржувајте ги остри и чисти.** Внимателно одржуваните алати за сечење со остри отчрици помалку ќе се заглавуваат и со нив работата ќе биде полесна.
- g) **Електричниот алат, прибор, работни алати итн., треба да ги користите според овие упатства, и на начин кој е опишан за соодветниот тип на уред.** При тоа, земете ги предвид работните услови и работата која се извршува. Употребата на електричните алати за други цели кои не се предвидени, може да предизвика опасни ситуации.
- h) **Рачките и површините за држење одржувајте ги суви, чисти и неизмастени.** Рачките и површините за држење што се лизгаат не овозможуваат безбедно ракување и контрола на алатот во неочекувани ситуации.
- 5) **ВНИМАТЕЛНО РАКУВАЊЕ И КОРИСТЕЊЕ НА АПАРАТ СО АКУМУЛАТОР**
  - a) **Полнете го акумулаторот само во апаратите за полнење кои се пропишани од страна на производителот.** За апаратот за полнење кој е соодветен за определен вид на акумулатори, постои опасност од пожар, доколку се употребува со други акумулатори.
  - b) **Користете ги електричните алати само со специфично назначени пакувања на батерии.** Користењето на друг вид на батерии може да доведе до ризик од повреда или пожар.
  - c) **Кога батериите не се користат, држете ги настрана од метални предмети како штрафчиња, парични, клучеви, клинцци, навртки или други, мали предмети кои може да направат краток спој.** Краткиот спој кај батериите може да предизвика изгореници или пожар.
  - d) **При погрешна примена може да излезе течност од акумулаторот; избегнувајте контакт со неа.** При случаен контакт, измијте се со вода. Ако течноста дојде во допир со очите, побарајте и лекарска помош дополнително. Течноста која може да излезе од акумулаторот може да доведе до надразнување на кожата и изгореници.
  - e) **Не употребувајте комплет со батерии или алат кој е оштетен или изменет.** Оштетени или изменети батерии може да реагираат непредвидливо и да предизвикаат пожар, експлозија или опасност од повреда.
  - f) **Не го изложувајте комплетот со батерии или алатот на оган или висока температура.** Изложувањето на оган или температура над 130°C може да предизвика експлозија.
  - g) **Следете ги сите инструкции за полнење и не го полнете комплетот со батерии или алатот надвор од температурниот опсег наведен во инструкциите.** Неправилното полнење или на температура надвор од наведениот опсег може да ја оштети батеријата и да ја зголеми опасноста од пожар.
- 6) **СЕРВИСИРАЊЕ**
  - a) **Електричниот алат сервисирајте го кај квалификувано лице кое користи само**

**идентични резервни делови.** Со ова се обезбедува безбедно одржување на електричниот алат.

- b) **Никогаш не поправајте оштетени комплекти со батерии.** Поправката на комплекти со батерии треба да ја врши само производителот или овластен сервис.

## УПАТСТВО ЗА БЕЗБЕДНА РАБОТА СО БЕЗЖИЧНА УБОДНА ПИЛА

- **Држете го алатот за изолираните површини за фаќање кога извршувате работа при која што дополнителната опрема за сечење може да дојде во контакт со сорниените жици** (ако дополнителната опрема за сечење дојде во контакт со жица под напон може да ги електрифицираат металните делови на алатот и да предизвика електричен удар на операторот)
- **Користете стегачи или друг практичен начин за да го обезбедите и потпрете парчето за работа на стабилна платформа** (парчето за работа е нестабилно ако го држите парчето со рака или потпрено на телото со што може да ја загубите контролата)

### ПРИБОР

- SKIL може да признае гаранција само доколку е користен оригинален прибор
- Користете само прибор чија дозволена брзина е во најмала рака еднаква на најголемата брзина при празен од на електричниот алат

### ПРЕД УПОТРЕБА

- Избегнувајте оштетувања од штрафови, шајки и други предмети во местото каде работите; тргнете ги пред да почнете со работа
- **Користете соодветни детектори за наоѓање на скриени инсталации или повинајте соодветна компанија за помош** (контактот со електричните линии може да доведе до струен удар; оштетувањата во гасоводна цевка може да резултира со експлозија; пенетрирање во водоводна инсталација може да доведе до оштета на предмети или електричен удар)

### ЛИЧНА ЗАШТИТА

- Овој алат не треба да го користат лица под 16 години
- **Не обработувајте никаков материјал кој содржи азбест** (азбестот важи за предизвикувач на рак)
- Прашината од материјали како боја која содржи олово, некои видови дрво, минерали и метали, може да биде штетна за здравјето (контактот со прашината или нејзиното вдишување може да шредизвика алергии и/или болести на дишните органи за оној кој работи со алатот или луѓето во близина); **носете маска за прашина и работете со правосмукални доколку можете да ги поврзете**
- Некои видови на прашина се канцерогени (како на пример прашината од даб или бука), особено заедно со адитиви за одржување на дрвото; **носете маска за прашина и работете со правосмукални доколку можете да ги поврзете**
- Следете ги процедурите на вашата земја за прашината која се јавува како резултат од материјалите со кои работите
- **Држете ги рацете подалеку од површината за сечење и сечилото; држете ја другата рака на кружната дршка F ②** (доколку двете раце ја држат пилата, може да бидат исечени од сечалото)
- **Не посегнувајте под материјалот кој го обработувате** (близината на сечилото до вашата

рака во тој случај нема да ви биде видлива)

- **Никогаш не држете го материјалот кој се сече во вашите раце или преку вашата нога** (битно е да се зацврсти обработката соодветно, за да се намали изложеноста на телото, заглавувањето на сечилото или губењето на контрола)
- **Не користете тапо или оштетено сечило** (кривите сечила лесно може да се скршат или да предизвикаат повратен удар)
- **Користете заштитни ракавици кога го отстранувате сечилото од алатот** (сечилото на пилата може да се загрее по подолга употреба)
- Носете заштитни очила и заштита за ушите

### АКУМУЛАТОРСКА БАТЕРИЈА

- **Испорачаната батерија е делумно наполнета** (за да се обезбеди целосен капацитет на батеријата, целосно наполнете ја батеријата во полначот на батеријата пред да го употребите вашиот електричен алат за првпат)
- **Користете ги исклучиво следниве батерии и полначи со овој алат**
  - Батерија SKIL: BR1\*31\*\*\*\*
  - Полнач SKIL: CR1\*31\*\*\*\*
- Оштетената батерија не треба понатаму да се користи туку да се замени
- Не ја расклопувајте батеријата
- Никогаш не ги изложувајте на дожд алатот/ батеријата
- Дозволена температура на околината (алатка/ полнач/батерија):
  - при полнење 4...40°C
  - при работа -20...+30°C
  - при складирање -20...+50°C

### ОБЈАСНУВАЊЕ НА СИМБОЛИТЕ ЗА АЛАТОТ/ БАТЕРИЈАТА

- ③ Пред употреба прочитајте го прирачникот за употреба
- ④ Во допир со оган батериите ќе експлодираат, затоа не ги палете батериите од која било причина
- ⑤ Секогаш чувајте ги апаратот/полначот/батеријата во просторија на температура пониска од 50°C
- ⑥ Не се ослободувајте од електрични алати и батерии во домашниот отпад

## УПОТРЕБА

- Полнење на акумулаторска батерија
  - ! **прочитајте ги безбедносните предупредувања и упатствата дадени со полначот**
  - Вадење/инсталирање на батеријата ②
  - Индикатор за нивото на батеријата ⑦
  - притиснете на индикаторот за нивото на батеријата L за да се прикаже тековното ниво на батеријата ⑦a
  - ! **ано по притискање на копчето L ⑦b почне да трепка индикаторот за најниско ниво на батеријата, тогаш батеријата е празна**
  - ! **кога ќе почне да трепка индикаторот за нивоата на батеријата 2 по притискање на копчето L ⑦c, батеријата не е во рамките на дозволените опсег за работна температура**
- ЛЕД-светилка ⑧
  - ЛЕД-светилката автоматски се пали кога ќе се активира прекинувачот за вклучување/исклучување
  - ! **кога трепка ЛЕД-светилката, се активира заштитата на батеријата (види подолу)**



- Заштита на батеријата  
Алатот наеднаш се исклучува или не може да се вклучи, кога
  - **товарот е преголем** --> отстранете го товарот и почнете повторно
  - **температурата на батеријата не е во рамките на дозволениот опсег на работна температура од -20 до +50°C** --> 2 нивоата на индикаторот за ниво на батеријата почнуваат да трепкаат кога ќе го притиснете копчето L ⑦c; почekaјте батеријата да се врати во рамките на дозволениот опсег на работна температура
  - **батеријата е скоро празна (заштита од целосно празнење)** --> на индикаторот за нивото на батеријата ќе се прикаже ниско ниво на батеријата или ќе трепка за ниско ниво на батеријата ⑦b кога ќе притиснете на копчето L; наполнете ја батеријата
- ! **не продолжувајте да притискате на пренинувачот за вклучување/исклучување откако алатот ќе се исклучи автоматски; батеријата ќе се оштети**
- Комбиниран прекинувач за вклучување/исклучување и за контрола на брзината со копче за заклучување ⑨ ⑩
  - прво отклучете со притискање на копчето А
  - вклучете го алатот со пуштање на пренинувачот В
  - брзината се контролира на степени од нула до максимум со применување помалку или повеќе сила врз активаторот
  - исклучете ја машината со пуштање на пренинувачот-чкрпало В
- Копчето за заклучување А може да се активира ⑨
  - ако е активирано, прекинувачот за вклучување/исклучување е блокиран и машината е осигурана од ненамерно вклучување
- Монтирање на сечилото за пилата ⑪
  - ! **отстранете ја батеријата од алатот пред сеное подесување или промена на приборот**
  - свртете го држачот за сечилото С во правецот на стрелката D на алатот и држете го во таа позиција
  - вметнете го сечилото (со запците надолу или нагоре) до крај
  - пуштете го држачот за сечилото С
  - турнете го и извлечете го сечилото за да проверите дали е правилно наместено
- Отстранување на сечилото ⑪
  - ! **отстранете ја батеријата од алатот пред сеное подесување или промена на приборот**
  - свртете го држачот за сечилото С во правецот на стрелката D на алатот и држете го во таа позиција
  - извлечете го сечилото
  - пуштете го држачот за сечилото С
- Планетарно движење за брзо сечење ⑫
  - за активирање на планетарно движење на пилата користете го прекинувачот N како што е прикажано
- ! **немојте да го активирате планетарното движење кога сечете метал**
- Работа со алатот
  - ! **зацврстете го материјалот кој го обработувате**
  - означете ги линиите за сечење на обработката
  - монтирајте ја батеријата на алатот
  - со една рака држете го алатот на дршката Е и со другата држете а изолираната дршка на вретеното F

- вклучете го алатот
- насочувајте го алатот низ назначената линија на сечење
- плочата на основата G , држете ја цврсто спроти обработката, за да се намалат вибрациите од повратната сила
- Држење и насочување на алатот
  - ! **додена работите, сеногаш држете го алатот за местото (местата) кое (кои) се означени со сива боја ⑬**
  - отворите за ладење H држете ги отворени
  - не притискајте премногу со алатот; дозволете тој сам да работи
  - ! **осигурајте се сечилото на пилата да се протега низ обработката за време на движењата ⑭**
- Подесување на ефективната длабочината на сечењето ⑮
  - ! **отстранете ја батеријата од алатот пред сеное подесување или промена на приборот**
  - користете хексагонален клуч К олабување или прицврстување на завртките J
  - лизгајте ја плочата на основата G напред/назад за да се зголеми/намали ефективната длабочината на сечењето

## СОВЕТИ ЗА ПРИМЕНА

- Длабинско сечење ⑯
  - Повратни засеци може да се направат во дрво и други меки материјали, без претходно дупчење на дупка
  - користете дебело сечиво за пилата
  - ! **отстранете ја батеријата од алатот пред сеное подесување или промена на приборот**
  - поставете го сечивото со запците насочени нагоре
  - означете ја саканата линија на сечење на материјалот
  - навалете го алатот така што сечилото не ја допира обработката
  - вклучете го алатот и внимателно почнете да ја движите пилата на обработката
  - штом сечилото ќе навлезе низ материјалот, продолжете да сечете низ назначената линија за сечење
  - ! **не правете повратни засеци низ метални материјали**
- Користете соодветни сечила ⑰
- Кога сечете метал ставете сечиво подмачкано со масло
- Сечење без поткршени рабови
  - прекријте ја линијата на сечењето со повеќеслојни или широки ленти пред да почнете со сечењето
  - лицето на материјалот е свртено надолу на работното место
- За повеќе информации видете на [www.skil.com](http://www.skil.com)

## ОДРЖУВАЊЕ/СЕРВИСИРАЊЕ

- Овој алат не е наменет за професионална употреба
- Алатот сеногаш да се одржува чист (особено отворите за ладење H ⑳)
- ! **отстранете ја батеријата од алатот пред чистење**
- Доколку алатот и покрај внимателното работење и контрола некогаш откаже, поправката мора да ја изврши некој овластен SKIL сервис за електрични

алати

- во случај на примедба, испратете го алатот **нерасклопен**, заедно со сметкоптрвдата, до вашиот продавач или најблискиот SKIL сервис (адресите се наведени на [www.skil.com](http://www.skil.com))
- Имајте предвид дека оштетувањето настанато заради преоптоварување или неправилно ракување со алатот ја отфрла гаранцијата (видете на [www.skil.com](http://www.skil.com) или прашајте го продавачот за условите на гаранцијата на SKIL)

## ЗАШТИТА НА ЖИВОТНАТА СРЕДИНА

- **Не се ослободувајте од елентични алати, батерии, уреди или амбалажа преку нивно фрлање во домашното губре** (само за земјите на ЕУ)
  - според Европската Директива 2012/19/ЕС за ослободување од електрична и електронска опрема и нејзина имплементација во согласност со националните закони, електричните алати кои го достигнале крајот на својот животен век мора да бидат собрани посебно и да бидат вратени во соодветен објект за рециклирање
  - симболот  ќе ве потсетува на ова кога ќе дојде време алатот да го фрлите
- ! **пред да се фрли акумулаторската батерија во отпад, заштитите ги нејзините полови**

## БУЧАВА / ВИБРАЦИИ


- Измерено во согласност со EN 62841, нивото на звучен притисок на оваа алатка е 85,0 dB(A) и нивото на звучна моќност 96,0 dB(A) (несигурност K = 5 dB), и вибрацијата \* (триакс векторна сума; несигурност K = 1.5 m/s<sup>2</sup>)
  - \* сечење на табла 9,9 m/c<sup>2</sup>
  - \* сечење на дрвени греди 9,5 m/c<sup>2</sup>
- Нивото на емитурање на вибрации кое е наведено на задниот дел на ова упатство е измерено во согласност со стандардизираниот тест даден во EN 62841; може да се користи за да се спореди еден алат со друг, и како привична оценка за изложеноста на вибрации кога се користи алатот за споменатите примени
  - користењето на алатот за разни примени, или со различни или неправилно чувани делови, може да доведе до значајно **зголемување** на нивото на изложеност
  - кога алатот е исклучен или кога алатот е вклучен но не врши некаква работа, може да дојде до значително **намалување** на нивото а изложеност
- ! **заштитете се од ефектите на вибрациите преку одржување на алатот и неговите делови, одржување на топлината во вашите раце, и организирање на вашата работа**

AL

**Sharrë me fletë me батери dhe 3480  
motor па карбонџина**

## HYRJE

- Kjo pajisje është e projektuar për prerjen e drurit, plastikës, metaleve dhe materialeve të ndërtimit si

- dhe për krasitje dhe krasitjen e pemëve; ajo është e përshtatshme për prerje të drejta dhe me hark
- Kjo vegël nuk është e projektuar për përdorim profesional
- Lexoni dhe ruani këtë manual të përdorimit 


## TË DHËNAT TEKNIKE

## ELEMENTET E VEGËL

- A Çelësi i bllokimit
- B Çelësi për nderzeje/fikje dhe kontrolli i shpejtësisë
- C Kapësja e lamës
- D Shigjeta
- E Doreza
- F Kapësja e grykës
- G Pllaka mbështetëse e rregullueshme
- H Të çarat e ajrosjes
- J Bulonat i shtërngimit
- K Çelësi heksagonal
- L Treguesi i nivelit të baterisë
- M Drita LED
- N Çelësi për veprim orbital

## SIGURIA

### PARALAJMËRIME TË PËRGJITHSHME TË SIGURISË PËR PAJISJET ELEKTRIKE

 **PARALAJMËRIM:** Lexoni të gjitha paralajmërimet, udhëzimet, ilustrimet dhe specifikimet e dhëna me këtë mjet pune. Mosrespektimi i të gjitha udhëzimeve të renditura më poshtë mund të rezultojtë në goditje elektrike, zjarr dhe/ose dëmtime të rënda.

### Ruani të gjitha paralajmërimet dhe udhëzimet për referencë në të ardhmen.

Termi "pajisje elektrike" në paralajmërimet i referohet pajisjes elektrike që përdoret nga priza (me kablo) ose pajisjes elektrike me bateri (pa kablo).

### 1) SIGURIA E ZONËS SË PUNËS

- a) **Mbajeni zonën e punës të pastër dhe të ndriçuar mirë.** Zonat e çrregullta ose të errëta janë një ftesë për aksidente.
- b) **Mos i përdorni pajisjet elektrike në situata me mundësi shpërthimi, si në prani të lëngjeve, gazeve ose pluhurave të djegshëm.** Pajisjet elektrike shkaktojnë shkëndija që mund të ndezin pluhurat ose avujt.
- c) **Mbajini fëmijët dhe personat e tjerë larg gjatë përdorimit të veglës së punës.** Tërheqja e vëmendjes mund të shkaktojë humbjen e kontrollit.

### 2) SIGURIA ELEKTRIKE

- a) **Spinat e veglës së punës duhet të përputhen me prizën. Mos modifikoni kurrë spinën në asnjë mënyrë. Mos përdorni asnjë spinë përshtatëse me veglat e punës me tokëzim.** Spinat e pamodifikuara dhe prizat përshtatëse do të zvogëlojnë rrezikun e goditjes elektrike.
- b) **Shmangni kontaktin trupor me sipërfaqe të tokëzuara si tuba, radiatorë, soba dhe frigoriferë.** Ka një rrezik më të madh të goditjeve elektrike nëse trupi është i tokëzuar.

- c) **Mos ekspozoni veglat e punës në shi ose në kushte me lagështi.** Uji që hyn në veglën e punës do të rritë rrezikun e goditjes elektrike.
- d) **Mos abuzoni me kordonin. Mos e përdorni kurrë kordonin për transportin, tërheqjen ose heqjen e spinës së veglës së punës.** Mbajeni kordonin larg nga nxehtësia, vaji, anët e mprehta ose pjesët që lëvizin. Kordonët e dëmtuar ose e bllokuar rrisin rrezikun e goditjes elektrike.
- e) **Kur përdorni një vegël pune në mjedise të jashtme, përdorni një kordon zgjatues të përshtatshëm për përdorim në mjedise të jashtme.** Përdorimi i një kordoni të përshtatshëm për përdorime në mjedise të jashtme zvogëlon rrezikun e goditjes elektrike.
- f) **Nëse përdorimi i veglës së punës në një vend me lagështi është i pashmangshëm, përdorni një automat qarku me shkarkesë me tokëzim.** Përdorimi i një automati me shkarkesë me tokëzim zvogëlon rrezikun e goditjes elektrike.
- 3) SIGURIA PERSONALE**
- a) **Qëndroni në gatishmëri, shikoni se çfarë po bëni dhe përdorni gjykimin kur përdorni një vegël pune.** Mos e përdorni një vegël pune kur jeni i lodhur ose nën ndikimin e ilaçeve, alkoolit ose mjekimit. Një moment humbjeje e vëmendjes gjatë përdorimit të veglave të punës mund të shkaktojë dëmtime të rënda personale.
- b) **Përdorni pajisje personale mbrojtëse. Mbani gjithmonë pajisje për mbrojtjen e syve.** Pajisjet mbrojtëse si maska kundër pluhurit, këpucët që nuk rrëshqasin, kaskat ose pajisjet për mbrojtjen e veshëve për kushtet përkatëse do të zvogëlojnë dëmtimet personale.
- c) **Parandaloni ndezjen e rastësishme. Sigurohuni që çelësi është në pozicionin fikur para se të lidhni burimin e energjisë dhe/ose baterinë, para se të merrni ose të transportoni pajisjen.** Transportimi i veglave të punës me gishtin në çelës ose aktivizimi i veglave të punës që kanë çelësin të ndezur është një ftesë për aksidente.
- d) **Hiqni çdo çelës ose çelës përshtatës para ndezjes së veglës së punës.** Një çelës i lënë i lidhur me një pjesë rrotulluese të veglës së punës mund të shkaktojë dëmtime personale.
- e) **Mos u zgjasni. Mbani një vendosje të mirë të këmbëve dhe një ekuilibër të mirë në çdo moment.** Kjo gjë bën të mundur një kontroll më të mirë të veglës së punës në situata të papritura.
- f) **Vishni në mënyrën e duhur. Mos vishni veshje të gjera ose bizhuteri. Mbani flokët, veshjet dhe dorashkat larg nga pjesët lëvizëse.** Veshjet e gjera, bizhuteritë ose flokët e gjatë mund të kapen nga pjesët në lëvizje.
- g) **Nëse janë ofruar pajisje për lidhjen e pajisjeve të mbledhjes dhe nxjerrjes së pluhurave, sigurohuni që ato të jenë të lidhura dhe të përdoren si duhet.** Përdorimi i mbledhjes së pluhurave mund të zvogëlojë rreziqet në lidhje me pluhurat.
- h) **Mos lejoni që familjarizimi i fituar nga përdorimi i shpeshtë i veglave t'ju lejojë të tregoheni të vetëkënaqur dhe të shpërfillni parimet e sigurisë për pajisjet.** Një veprim i pakujdesshëm mund të shkaktojë dëmtime të rënda në më pak se një sekondë.
- 4) PËRDORIMI DHE KUJDESI PËR VEGLËN E PUNËS**
- a) **Mos ushtroni forcë mbi veglën e punës. Përdorni veglën e punës të duhur për përdorimin tuaj.** Vegla e punës e duhur do të realizojë një punë më të mirë dhe më të sigurt dhe me shpejtësinë që ajo është e projektuar.
- b) **Mos përdorni veglën e punës nëse çelësi nuk e ndez apo e fik.** Çdo vegël pune që nuk mund të kontrollohet me anë të çelësit është e rrezikshme dhe duhet të riparohet.
- c) **Shkëputni spinën nga burimi i energjisë dhe/ose baterinë nga vegla e punës para se të bëni rregullime të tjera, të ndryshoni aksesorët ose të ruani veglat e punës.** Këto masa parandaluese të sigurisë ulin rrezikun e ndezjes aksidentale të veglës së punës.
- d) **Mbani veglat e punës larg fëmijëve dhe mos lejoni personat e pamësuar me veglën e punës ose këto udhëzime për përdorimin e pajisjes.** Veglat e punës janë të rrezikshme në duart e përdoruesve të patrajnuar.
- e) **Mirëmbani veglat e punës. Kontrolloni për mospërshtatje ose bllokim të pjesëve lëvizëse, thyerje të pjesëve dhe gjendje të tjera që mund të ndikojnë në funksionimin e veglës së punës.** Nëse dëmtohet, riparojeni veglën e punës para përdorimit. Shumë aksidente shkaktohen nga veglat e punës jo të mirëmbajtura si duhet.
- f) **Mbajni pajisjet prerëse të pastra dhe të mprehta.** Pajisjet e prerjes të mirëmbajtura dhe me anë të mprehta kanë më pak mundësi për t'u bllokuar dhe janë më të lehta për t'u kontrolluar.
- g) **Përdorni veglat e punës, aksesorët dhe puntot, etj. në përputhje me këto udhëzime, duke marrë parasysh kushtet e punës dhe punën që do të kryhet.** Përdorimi i veglave për përdorime të ndryshme nga ato të përcaktuara mund të shkaktojë rreziqe.
- h) **Mbajni dorezat dhe sipërfaqet ku mbaheni të thata, të pastra dhe pa vajra ose graso.** Dorezat dhe sipërfaqet ku mbaheni, kur janë të rrëshqitshme, nuk ju lejojnë ta menaxhoni dhe ta kontrolloni në mënyrë të sigurt pajisjen në situata të papritura.
- 5) PËRDORIMI DHE KUJDESI PËR VEGLËN ME BATERI**
- a) **Karikojeni vetëm me karikuesin e përcaktuar nga prodhuesi.** Një karikues që është i përshtatshëm për një lloj baterie mund të krijojë rrezik për zjarr kur përdoret me një bateri tjetër.
- b) **Përdorni veglat e punës vetëm me bateritë e përcaktuara respektivisht.** Përdorimi i çdo baterie tjetër mund të krijojë rrezik për dëmtime dhe zjarr.
- c) **Kur bateria nuk është në përdorim, mbajeni larg nga objektet e tjera metalike si kapëset e letërës, monedhat, çelësat, gozhdët, vidat ose objektet e tjera të vogla metalike që mund të bëjnë lidhjen e një terminali me terminalin tjetër.** Lidhja e shkurtër e terminalëve të baterisë mund të shkaktojë djegie ose zjarr.
- d) **Në kushte abuzimi, nga bateria mund të rrjedhin lëngje; shmangni kontaktin me to. Në rast se ndodh aksidentalisht kontakti, shpëlajeni me ujë. Në rast se lëngu bie në kontakt me sytë, kërkoni edhe ndihmë mjekësore.** Lëngu i rrjedhur nga bateria mund të shkaktojë acarime ose djegie.
- e) **Mos e përdorni një pako baterish ose një vegël që është e dëmtuar apo e modifikuar.** Bateritë e

dëmtuara ose të modifikuara mund të shfaqin sjellje të paparashikuara, duke shkaktuar zjarr, shpërthim ose rezik për lëndimin tuaj.

- f) **Mos e ekspozoni një pako baterish ose një vegël ndaj zjarrit ose temperaturës shumë të lartë.** Ekspozimi ndaj zjarrit ose një temperature mbi 130°C mund të shkaktojë shpërthim.
  - g) **Ndëqni të gjitha udhëzimet për karikimin dhe mos e karikoni pakon e baterive ose veglën jashtë gamës së temperaturës që specifikohet tek udhëzimet.** Karikimi i papërshtatshëm ose në temperatura jashtë gamën së specifikuar mund të dëmtojë baterinë dhe të rritë rrezikun për zjarr.
- 6) SHËRBIMI**
- a) **Shërbimi i veglës së punës duhet të kryhet nga një person i kualifikuar për riparimet duke përdorur vetëm pjesë ndërrimi identike.** Kjo gjë do të sigurojë ruajtjen e sigurisë së veglave të punës.
  - b) **Mos kryeni asnjëherë shërbimin për pakot e baterive.** Shërbimi për pakot e baterive duhet të kryhet vetëm nga prodhuesi ose ofruesit e autorizuar të shërbimit.

#### UDHËZIME SIGURIE PËR SHARRAT ME TËRHEQJE PA KABËLL

- **Mbajeni mjetin e punës duke kapur sipërfaqet e izoluara të prekjes kur bëni një punë aty ku aksesori i prerjes mund të bjerë në kontakt me tela të fshehur (aksesorët e prerjes që bien në kontakt me një tel me korrent mund të ekspozojnë pjesët metalike të mjetit të punës në korrent dhe mund t'i japin përdoruesit një goditje elektrike)**
- **Përdorni morsa ose mënyra të tjera praktike për të siguruar dhe mbështetur materialin e punës në një platformë të qëndrueshme** (mbajtja e materialit me duar ose të mbështetur në trup bën që materiali të mbetet i paqëndrueshëm ose mund të shkaktojë humbje të kontrollit)

#### AKSESORËT

- **SKIL** mund të garantojë funksionimin pa probleme të veglës vetëm kur përdoren aksesorët origjinalë
- Përdorni vetëm aksesorë me një shpejtësi të lejuar që përshtatet të paktën me shpejtësinë më të lartë pa ngarkesë të pajisjes

#### PARA PËRDORIMIT

- Shmangni dëmtimet që mund të shkaktohen nga vidat, gozhdët dhe elementet e tjera në materialin e punës; hiqni ato para se të filloni punën
- **Përdorni detektorë përkatës për të gjetur linjat e fshehura të shërbimit ose telefononi kompaninë lokale të shërbimeve për ndihmë** (kontakti me linjat elektrike mund të shkaktojë zjarr ose goditje elektrike; dëmtimi i një linje gazi mund të shkaktojë një shpërthim; shpimi i një tubi uji do të shkaktojë dëmtim të pronës ose një goditje elektrike)

#### SIGURIA PERSONALE

- Kjo pajisje nuk duhet të përdoret nga personat nën moshën 16 vjeç
- **Mos punoni me materiale që përmbajnë asbest** (asbesti konsiderohet kancerogjen)
- Pluhurat nga materialet si boja me plumb, disa lloje drurësh, mineralesh dhe metalesh mund të jenë të dëmshme (kontakti ose thithja e pluhurave mund të shkaktojë reagime alergjike dhe/ose sëmundje

respiratore për përdoruesin ose personat përreth); **mbani një maskë për pluhurat dhe punoni me një pajisje për heqjen e pluhurave kur mund të lidhet**

- Disa lloje pluhurash kanë klasifikuar si kancerogjene (si pluhuri i lisit dhe i ahut) veçanërisht në ndërthurje me lëndët shtesë për kondicionimin e drurit; **mbani një maskë për pluhurat dhe punoni me një pajisje për heqjen e pluhurave kur mund të lidhet**
- Respektoni kërkesat kombëtare në lidhje me pluhurat për materialet me të cilat dëbshirni të punoni
- **Mbajini duart larg nga zona e prerjes dhe lama; mbajeni dorën tjetër në kapësen e grykës F** (nëse të dyja duart mbajnë sharrën, ato nuk mund të priten nga lama)
- **Mos u zgjasni poshtë materialit të punës** (afërsia e lamës me dorën tuaj është e fshehur nga këndvështrimi juaj)
- **Mos e mbani kurrë copën që po prisni në duar ose mes këmbëve** (është e rëndësishme që ta mbështesni mirë materialin për të minimizuar ekspozimin e trupit, ngecjen e lamës ose humbjen e kontrollit)
- **Mos përdorni lama të topitura ose të dëmtuara** (lamat e përkulura mund të thyhen me lehtësi ose të shkaktojnë goditjen e kthimit)
- **Përdorni doreza mbrojtëse kur hiqni lamën nga pajisja** (lama e sharrës mund të jetë e nxehtë pas një përdorimi të gjatë)
- Mbani syze mbrojtëse dhe pajisje mbrojtëse për dëgjimin

#### BATERIVE

- **Bateria e dhënë është pjesërisht e karikuar** (për të siguruar kapacitet të plotë të baterisë, karikojni baterinë plotësisht në karikuesin e baterisë para se ta përdorni mjetin për herë të parë)
- **Përdorni vetëm bateritë dhe karikuesit e mëposhtëm me këtë mjet**
  - Bateri SKIL: BR1\*31\*\*\*\*
  - Karikues SKIL: CR1\*31\*\*\*\*
- Mos e përdorni baterinë kur është dëmtuar; ajo duhet ndërruar
- Mos e çmontoni baterinë
- Mos e ekspozoni mjetin/baterinë në shi
- Lejohet temperatura e ambientit (vegël/karikuesin/bateri):
  - kur karikoni 4...40°C
  - gjatë punës -20...+50°C
  - gjatë magazinimit -20...+50°C

#### SHPJEGIMI I SIMBOLEVE NË VEGËL/BATERI

- ③ Lexoni manualin e udhëzimeve para përdorimit
- ④ Bateritë mund të shpërthejnë kur hidhen në zjarr, prandaj mos i digjini bateritë për asnjë arsye
- ⑤ Ruajeni veglën/karikuesin/baterinë në vende ku temperatura nuk do të kalojë 50°C
- ⑥ Mos i hidhni veglat elektrike dhe bateritë së bashku me materialet e mbeturinave familjare

#### PËRDORIMI

- Karikimi i baterisë
- ! **lexoni paralajmërimet dhe udhëzimet e sigurisë të dhëna me karikuesin**
- Heqja/instalimi i baterisë ②
- Treguesi i nivelit të baterisë ⑦
  - shtypni nivelin tregues të nivelit të baterisë L për të treguar nivelin aktual të baterisë ⑦a
- ! **kur fillon të pulsojë niveli më i ulët i treguesit të baterisë pasi keni shtypur butonin L ⑦b, bateria është bosh**

**! kur fillojnë të pulsojnë nivelet 2 të treguesit të baterisë pasi keni shtypur butonin L ⑦c, bateria nuk është brenda temperaturës së lejuar**

- Dritë LED ⑧  
Drita LED ndizet automatikisht kur aktivizoni çelësin On/ Off  
**! kur drita LED fillon të pulsojë, kjo do të thotë se është aktivizuar mbrojtja e baterisë (shiko më poshtë)**
- Mbrojtja e baterisë  
Mjeti fiket papritur ose nuk ndizet kur
  - ngarkesa është shumë e lartë --> hiqeni ngarkesën dhe ndizeni përsëri
  - temperatura e baterisë nuk është brenda nivelit të lejuar të temperaturës nga -20 në +50°C --> 2 nivelet e treguesit të nivelit të baterisë fillojnë të pulsojnë kur shtypni butonin L ⑦c; prisni derisa bateria të jetë brenda temperaturës së lejuar
  - bateria është thuajse bosh (për t'u mbrojtur nga dëmtimi për shkak të shkarkimit të thellë) --> niveli i ulët i baterisë ose pulsimi për shkak të nivelit të ulët të baterisë ⑦b tregohet në treguesin e nivelit të baterisë kur shtypni L; karikoni baterinë
- ! mos vazhdoni të shtypni çelësin e ndezjes/fikjes pasi pajisja të fiket automatikisht; bateria mund të dëmtohet**
- Çelësi i kombinuar për ndezje/fike dhe kontroll shpejtësie me çelësi bllokimi ⑨ ⑩
  - zhbllokoni më parë duke shtypur çelësin A
  - ndizeni pajisjen duke tërhequr çelësin e aktivizimit B
  - kontrolloni shpejtësinë në shkallë nga zero në maksimum duke ushtruar më pak ose më shumë trysni mbi çelës
  - fiken duke lëshuar çelësin B
- Çelësi i bllokimit A mund të çaktivizohet ⑨
  - nëse aktivizohet, çelësi i ndezjes/fikjes bllokohet dhe pajisja është e sigurt nga ndezja padashur
- Montimi i lamës së sharrës ⑪  
**! hiqeni baterinë nga pajisja para se të bëni ndonjë rregullim ose të ndërroni ndonjë aksesori**
  - rrotulloni kapësen e lamës C në të njëjtin drejtim si shigjeta D në pajisje dhe mbajeni në atë pozicion
  - futni lamën (me dhëmbët e drejtuar poshtë ose lart) deri në fund
  - lëshoni kapësen e lamës C
  - shtypni dhe tërhiqeni lamën për të kontrolluar nëse është kapur si duhet
- Heqja e lamës së sharrës ⑪  
**! hiqeni baterinë nga pajisja para se të bëni ndonjë rregullim ose të ndërroni ndonjë aksesori**
  - rrotulloni kapësen e lamës C në të njëjtin drejtim si shigjeta D në pajisje dhe mbajeni në atë pozicion
  - nxirreni lamën
  - lëshoni kapësen e lamës C
- Veprimi orbital për prerje të shpejtë ⑫
  - për aktivizimin e veprimit orbital të thikës së sharrës, përdorni çelësin N si në ilustrim
- ! mos e aktivizoni veprimin orbital kur prisni metale**
- Funkcionimi i veglës  
**! shtrëngoni mirë materialin e punës**
  - shënoni vijën e prerjes mbi materialin e punës
  - montoni baterinë në mjet
  - mbajeni pajisjen me një dorë mbi dorezë E dhe tjetrën mbi kapësen e izoluar të grykës F

- ndizni veglën
- drejtojeni pajisjen përgjatë vijës së shënuar të prerjes
- mbajeni pllakën mbështetëse G fort mbi materialin e punës për të minimizuar forcën kundërshtuese dhe dridhjen
- Mbaytja dhe drejtimi i veglës  
**! gjatë punës, mbajeni gjithmonë veglën në zonën(at) e dorezës me ngjyrë gri ⑬**
  - mbajini të çarat e ajrimit H të pambuluara
  - mos ushtroni shumë trysni mbi pajisje; lëreni pajisjen që të punojë për ju
- ! sigurohuni që lama e sharrës të dalë përtej materialit gjatë goditjes ⑭**
- Rregullimi i efektive sharrim thellësisë ⑮  
**! hiqeni baterinë nga pajisja para se të bëni ndonjë rregullim ose të ndërroni ndonjë aksesori**
  - përdorni çelës hex K për lirimim dhe shtrëngimin e të dy bulonave të shtrëngimit J
  - lëvizni pllakën G përpara/mbra për të zmadhuar/zvogëluar thellësinë e sharrimit të efektshëm

## KËSHILLË PËR PËRDORIMIN


- Prerja me zhytje ⑯  
Prerja me zhytje mund të bëhet në dru dhe më materiale të tjera të buta pa shpuar paraprakisht një vrimë
  - përdorni një lamë sharre të trashë
- ! hiqeni baterinë nga pajisja para se të bëni ndonjë rregullim ose të ndërroni ndonjë aksesori**
  - montoni lamën me dhëmbët e drejtuar lart
  - shënoni vijën e dëshiruar të prerjes mbi materialin e punës
  - anojeni pajisjen në mënyrë që lama të mos prekë materialin e punës
  - ndizeni pajisjen dhe punoni me kujdes me lamën e sharrës në lëvizje mbi material
  - pasi lama të jetë futur në materialin e punës, vazhdoni të sharroni përgjatë vijës së shënuar të prerjes
- ! mos bëni prerje me zhytje në materiale metalike**
- Përdorni thikat e duhura për sharrën ⑰
- Kur prisni metale, lubrifikojeni thikën e sharrës rregullisht me vaj
- Prerja pa ashkla
  - mbulojeni vijën e prerjes me disa shtresa ngjitës të gjerë para prerjes
  - vendoseni gjithmonë poshtë anën e mirë të materialit të punës
- Për më shumë informacion, shikoni [www.skil.com](http://www.skil.com)

## MIRËMBAJTJA / SHËRBIMI

- Kjo vegël nuk është e projektuar për përdorim profesional
- Gjithmonë mbajeni mjetin të pastër (sidomos vrimat e ajrimit H ②)  
**! hiqeni baterinë nga mjeti para se ta pastroni**
- Nëse pajisja ka defekt pavarësisht kujdesit në prodhim dhe procedurat e provave, riparimi duhet të kryhet nga një qendër e shërbimit pas shitjes për veglat e punës të SKIL
  - dërgoni veglën të çmontuar së bashku me vërtetimin e blerjes së shitësi ose të qendra më e afër e shërbimit e SKIL (adresat si dhe diagrami i shërbimit i veglës janë të paraqitura në [www.skil.com](http://www.skil.com))

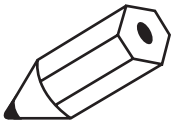
- Kini parasysh se dëmtimet për shkak të mbingarkesës ose manovrimin të papërshtatshëm të veglës janë të përjashtuara nga garancia (për kushtet e garancisë së SKIL vizitoni [www.skil.com](http://www.skil.com) ose pyetni shitësin tuaj)

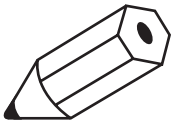
## MJEDISI

- **Mos i hidhni veglat elektrike, bateritë, aksesorët dhe paketimin së bashku me materialet e mbeturinave familjare** (vetëm për vendet e BE-së)
  - në respektim të Direktivës evropiane 2012/19/EC për pajisjet elektrike dhe elektronike si mbetje dhe zbatimin e saj në përputhje me ligjet kombëtare, pajisjet elektrike që kanë arritur në fund të jetëgjatësisë së tyre duhet të mbledhen të ndara dhe të kthehen në një objekt riciklimi në përputhje me mjedisin.
  - simboli  do t'ju kujtojë për këtë gjë kur të jetë nevoja për t'i hedhur
- ! **para hedhjes mbroni terminalët e baterisë me ngjites të fortë për të parandaluar qarkun e shkurtër**

## ZHURMA / VIBRIMI

- I matur sipas EN 62841, niveli i presionit të zhurmës së këtij mjeti është 85,0 dB(A) dhe niveli i fuqisë së zhurmës 96,0 dB(A) (pasiguria K = 5 dB), dhe dridhja \* (shuma e vektorit triax; pasiguria K = 1.5 m/s<sup>2</sup>)
  - \* prerje dërrase 9,9 m/s<sup>2</sup>
  - \* prerje trarë druri 9,5 m/s<sup>2</sup>
- Niveli i emetimit të vibrimit është matur në përputhje me një provë të standardizuar të dhënë në EN 62841; ajo mund të përdoret për të krahasuar një vegël me një tjetër dhe si një vlerësim paraprak i ekspozimit ndaj vibrimit kur përdorni pajisjen për proceset e përmendura
  - përdorimi i pajisjes për procese të ndryshme, ose me aksesorë të ndryshëm dhe të mirëmbajtur keq, mund të **rritë** ndjeshëm nivelin e ekspozimit
  - kohët kur pajisja është e fikur dhe kur është e ndezur por jo në punë, mund të **zvogëlojnë** ndjeshëm nivelin e ekspozimit
- ! **mbroni veten nga efektet e vibrimit duke mirëmbajtur pajisjen dhe aksesorët e saj, duke i mbajtur duart e ngrohta dhe duke organizuar mënyrën tuaj të punës**







- تیغه را (در حالی که دندان‌های آن به پایین یا بالا قرار گرفته اند) تا آخر در جای خود قرار دهید
- ضامن تیغه را رها کنید C
- تیغه را بیرون کشیده و به داخل فشار دهید تا مطمئن شوید بدردستی در جای خود قفل شده باشد
- برداشتن تیغه اهر 11
- ! **پیش از انجام هرگونه تغییر و یا عوض کردن متعلقات، باتری را از ابزار خارج کنید**
- ضامن تیغه C در جهت موافق پیکان D روی ابزار بچرخانید داده و در همان وضعیت نگه دارید
- تیغه را بیرون بکشید
- ضامن تیغه را رها کنید C
- 12 **حرکت مداری برای برش سریع**
- حرکت مداری برای برش سریع N - برای فعال ساختن حرکت مداری تیغه اهر از سونویج کنید
- ! **هنگام بریدن فلزات نباید حرکت مداری را فعال کنید**
- کار کردن با ابزار
- ! **قطعه کاری را در گیره قرار داده و محکم کنید**
- خط برش را روی قطعه کاری علامت بزنید
- باتری را روی ابزار سوار کنید
- ابزار را باید یک دست روی دسته E و دست دیگر روی جای دسته عایق شده F بگیرد
- ابزار را روشن کنید
- ابزار را روی خط برش علامت گذاری شده هدایت کنید
- پایه کار A را محکم روی قطعه کاری بگیرید تا نیروی واکنشی و ارتعاشات به حداقل ممکن کاهش داده شوند
- نگهداشتن و هدایت ابزار
- ! **هنگام کار باید همیشه ابزار را از دستگیره (های) خاکستری رنگ بگیرید** 13
- شیارهای تپه‌وی H را مسدود نکنید
- فشار بیش از حد به ابزار وارد نکنید؛ بگذارید ابزار به جای شما کار کند
- ! **اطمینان حاصل کنید که تیغه اهر در طول کورس از قطعه کاری جلوتر برود** 14
- تنظیم عمق مؤثر اهر کاری 15
- ! **پیش از انجام هرگونه تغییر و یا عوض کردن متعلقات، باتری را از ابزار خارج کنید**
- از آچار آلن K برای شل یا سفت کردن هر دو پیچ محکم کننده L استفاده کنید
- برای کم/زیاد کردن عمق مؤثر اهر کاری، پایه کار G را جلو/عقب بکشید

## توصیه های کاربردی

- برش عمیق 11
- شما می توانید بدون نیاز به سوراخ کردن اولیه در چوب و سایر مواد نرم برش عمیق بزنید
- از یک تیغه اهر ضخیم استفاده کنید
- ! **پیش از انجام هرگونه تغییر و یا عوض کردن متعلقات، باتری را از ابزار خارج کنید**
- تیغه را در حالی که دندان‌های آن رو به بالا قرار دارند سوار کنید
- خط برش مورد نظر را روی قطعه کاری علامت بزنید
- ابزار را کج کنید تا تیغه با قطعه کاری تماس نداشته باشد
- ابزار را روشن کرده و با دقت تیغه اهر در حال حرکت را به قطعه کاری نزدیک کنید
- بعد از اینکه تیغه وارد قطعه کاری شد به برش زدن در طول خط برش علامت گذاری شده ادامه دهید
- ! **در اجسام و مواد فلزی برش عمیق بزنید**
- از تیغه اهر های مناسب استفاده کنید 16
- هنگام برش فلزات، تیغه اهر را مرتباً روغن کاری کنید
- برش بدون تراشه
- خط برش را پیش از شروع برش با چند لایه چسب پهن بپوشانید
- همیشه طرف خوب قطعه کاری را به سمت پایین قرار دهید
- برای اطلاعات بیشتر به [www.skil.com](http://www.skil.com) مراجعه کنید

## نگهداری / سرویس - خدمات

- این ابزار برای مصارف حرفه ای مناسب نیست
- همیشه ابزار را تمیز نگه دارید (بخصوص شیارهای تپه‌وی H)
- ! **پیش از تمیز کردن باید باتری را از ابزار جدا کنید**
- اگر ابزار غیرمعمول تمام دقت و مراقبتی که در فرایندهای تولید و تست بکار برده شده از کار افتاد، تعمیرات باید فقط در مراکز خدمات پس از فروش ابزارهای برقی SKIL انجام شود
- ابزار را بصورت پانزنده همراه با رسید خرید به فروشنده یا نزدیک ترین مرکز خدمات رسانی SKIL بفرستید (آدرسها به همراه نمودار نقشه های سرویس ابزار در [www.skil.com](http://www.skil.com) موجود است)
- توجه داشته باشید که خرابی و خسارت ناشی از اضافه بار یا کار کردن نادرست یا ابزار مشمول ضمانت نخواهند بود (برای آگاهی از شرایط ضمانت SKIL به نشانی [www.skil.com](http://www.skil.com) مراجعه کرده یا از فروشنده خود سوال کنید)

## محیط زیست

- ابزارهای برقی، باتری‌ها، لوازم و بسته بندی آنها را نباید همراه با زباله های عادی خانگی دور انداخت (فقط مخصوص کشورهای عضو اتحادیه اروپا)
- با توجه به مصوبه اروپایی 2012/19/EC اروپا درباره لوازم برقی و الکترونیکی مستعمل و اجرای این مصوبه مطابق با قوانین کشوری. ابزارهای برقی که به پایان عمر مفید خود رسیده اند باید جداگانه جمع آوری شده و به یک مرکز بازیافت مناسب و سازگار با محیط زیست انتقال یابند
- اطلاعات 1 یادآور این مسئله در هنگام دور انداختن است
- ! **قبل از دور انداختن باتری حتماً باید روی پایانه های باتری را با نوار چسب سنگین بپوشانید تا اتصال کوتاه نکند**

## صدا / ارتعاشات

- بر طبق اندازه گیری های انجام شده بر اساس استاندارد EN 12841، میزان فشار صوتی این ابزار 85,0 دسی بل و میزان توان صوتی آن 96,0 دسی بل (عدم قطعیت  $K = 5$  دسی بل)، و میزان ارتعاشات آن \* (جمع بردارهای سه جهت، عدم قطعیت  $K = 1,5$  متر/مخزور/ثانیه) می باشد
- \* برش تخته 9,9 متر/مخزور/ثانیه
- \* برش تیرهای چوبی 9,5 متر/مخزور/ثانیه
- میزان انتشار ارتعاشات بر اساس تست استاندارد شده ای که در EN 12841 معرفی شده است اندازه گیری گردید؛ از این ارقام می توان برای مقایسه یک ابزار با دیگری و بعنوان ارزیابی اولیه در معرض قرارگیری ارتعاشات هنگام کار با ابزار در کاربری های فوق استفاده کرد
- استفاده کردن از ابزار برای کاربردهای متفاوت، یا با لوازم و متعلقات متفاوتترقیه یا لوازم و متعلقاتی که بد نگهداری شده اند، می تواند میزان در معرض قرارگیری را بطور قابل ملاحظه ای افزایش دهد
- مواقعی که ابزار خاموش است یا روشن است ولی کاری با آن انجام نمی شود، میزان در معرض قرارگیری بطور قابل توجهی کاهش می یابد
- ! **با نگهداری مناسب از ابزار و لوازم و متعلقات آن، گرم نگهداشتن دست های خود، و سازمان دهی طرح های کاری می توانید خود را در برابر اثرات ارتعاش محافظت کنید**

پیش بینی داشته و منجر به آتش سوزی یا انفجار شده و یا خطر جراثیم ایجاد کنند.

ح) یک بسته باتری یا ابزار را در معرض آتش یا دمای خیلی زیاد قرار ندهید. قرار دادن در معرض آتش یا دمای بالاتر از ۰۳۱ درجه سانتیگراد می تواند باعث انفجار گردد.

خ) تمام دستورالعمل های شارژ را رعایت کرده و بسته باتری یا ابزار را در خارج از محدوده دمای ذکر شده در راهنما شارژ نکنید. شارژ نادرست یا شارژ کردن در دماهای خارج از محدوده ذکر شده می تواند به باتری آسیب رسانده و خطر آتش سوزی را بالا ببرد.

۱۶ سرویس  
ا) برای تعمیر ابزار الکتریکی فقط به متخصصین حرفه ای رجوع کرده و از وسایل بدکی اصل استفاده کنید. این باعث خواهد شد که ایمنی دستگاه شما تضمین گردد.

ب) هرگز بسته های باتری آسیب دیده را سرویس نکنید. عملیات سرویس بسته های باتری باید فقط توسط سازنده یا مراکز خدماتی مجاز انجام شود.

### هشدارهای ایمنی برای اهرای رفت و برگشتی قابل شارژ

• اگر از ابزار در مواردی استفاده می کنید که امکان دارد متعلقات برش یا سیم های پنهان شده تماس پیدا کنند حتماً باید ابزار را از جا دست های مخصوص عایق آن بگیرد (باز متعلقات برش یا سیم های برق دار) می تواند در بخش های فلزی دستگاه نیز جریان برق تولید کرده و در اپراتور برق گرفتگی ایجاد کند

• از گیره یا هر روش عملی و مطمئن دیگر برای محکم کردن قطعه کار روی یک سطح پایدار استفاده کنید (اگر قطعه کار را با دست نگه دارید یا به بدن خود تکیه دهید. امکان دارد کنترل کار را از دست بدهید)

متعلقات  
• SKIL در صورتی که از متعلقات اصلی استفاده کنید عملکرد بدون مشکل ابزار را تضمین می نماید

• متعلقات باید فقط با سرعت های چرخش مجاز که معادل بالاترین سرعت بدون بار ابزار هستند به کار برده شوند

پیش از استفاده  
• پیچ ها، میخ ها و سایر اجزا دیگر می توانند به قطعه کاری شما آسیب بزنند؛ بنابراین پیش از شروع کار آنها را بردارید

• برای پیدا کردن سیم و لوله های پنهان از دستگاه های دکتور مناسب استفاده کرده یا با شرکت های آب و برق و گاز محلی تماس گرفته و از آنها کمک بخواهید (تماس با سیم های برق موجب آتش سوزی و برق گرفتگی می شود؛ آسیب رساندن به لوله های گاز سبب انفجار می شود؛ سوراخ کردن لوله های آب به ساختمان آسیب رسانده و موجب خطر برق گرفتگی می شود)

رعایت ایمنی اشلخا  
• افراد کمتر از ۱۶ سال نباید با این دستگاه کار کنند

• با موادی حاوی آزیست کار نکنید (آزیست سرطان زا است)

گرد و خاکی که از موادی مانند رنگ های حاوی سرب، برخی گونه های چوب، مواد معدنی و فلزات بلند می شود می تواند خطرناک باشد (تماس با این گرد و خاکها و یا تنفس آنها می تواند در کاربران ابزار یا افراد نزدیک به محل کار واکنش های حساسیتی و یا بیماری های تنفسی ایجاد کند؛ یک ماسک مخصوص گرد و خاک بزنید و در صورت امکان از یک وسیله مکش گرد و خاک استفاده کنید

• برخی از گرد و خاکها (مانند گرد و خاکی که از چوب بلوط یا راش بلند می شود) علی الخصوص در مجاورت افزودنی های مخصوص چوب، سرطان زا هستند؛ یک ماسک مخصوص گرد و خاک بزنید و در صورت امکان از یک وسیله مکش گرد و خاک استفاده کنید

• از مقررات ملی مربوط به گرد و خاک موادی که می خواهید با آنها کار کنید پیروی نمایید

• دستهای خود را از ناحیه برش و تیغه دور نگه دارید؛ دست دیگر خود را روی جای دست نگه دارید (F) اگر اهره را هر دو دست بگیرید امکان بریده شدن دستهای شما با تیغه وجود نخواهد داشت)

• سعی کنید دست خود را به زیر قطعه کاری ببرید (میزان نزدیکی تیغه به دست از دید شما پنهان است)

• هرگز قطعه مورد برش را با دست یا میان پاهای خود نگهید (برای اینکه میزان قرار گرفتن بدن شما در برابر ابزار، کمتر کردن تیغه و یا از دست دادن کنترل به حداقل برسد. بسیار مهم است که قطعه کار را بطور صحیح (تیغه نگه دارید)

• از تیغه های کند یا آسیب دیده استفاده نکنید (تیغه های خم شده به آسانی می شکنند و یا باعث پین شدن ابزار خواهند شد)

• هنگام باز کردن تیغه از ابزار، از دستکش محافظ استفاده کنید (تیغه اهره بعد از استفاده طولانی ممکن است داغ باشد)

• از عینک محافظ و محافظ گوش استفاده کنید

### باتری ها

• شارژر باتری ارائه شده کامل نیست (برای تضمین کامل بودن ظرفیت باتری باید باتری را پیش از نخستین بار استفاده از ابزار الکتریکی بطور کامل در شارژر باتری شارژ کنید)

• تنها از باتری ها و شارژرهای زیر با این ابزار استفاده کنید

- باتری SKIL: BR1 ۳۱۰۰۰۰۰۰۰۰

- شارژر SKIL: CR1 ۳۱۰۰۰۰۰۰۰۰۰

• اگر باتری آسیب دیده است از آن استفاده نکنید؛ باید آنرا عوض کنید

• باتری را از هم باز نکنید

• ابزار/باتری نباید در معرض باران قرار داده شود

• دمای محیطی مجاز (ابزار/شارژر/باتری):

- هنگام شارژ ۴... ۰ درجه سانتیگراد

- هنگام کار ۲۰... ۰ درجه سانتیگراد

- قرار دادن در محل نگهداری ۰... ۰... ۵۰ درجه سانتیگراد

شرح علائم و دماهای ابزار/باتری

① پیش از کار حتماً دفترچه راهنما را مطالعه کنید

② اگر باتری در آتش انداخته شود امکان انفجار آن وجود دارد. بنابراین هرگز و به هیچ دلیل دیگری باتری را نسوزانید

③ ابزار/شارژر را در مکانی نگهدارید که دمای آن از ۵۰ درجه سانتیگراد تجاوز نمی کند

④ ابزارهای برقی، باتری ها، آنها را نباید همراه با زباله های عادی خانگی دور انداخت

### استفاده

• شارژ کردن باتری

! هشدارها و دستورالعمل های ارائه شده همراه شارژر را مطالعه کنید

• برداشتن/قرار دادن باتری (I)

• نشانگر شارژ باتری (V)

- برای نمایش سطح کنونی باتری (a) دکمه نشانگر شارژ باتری را فشار دهید

! اگر با فشار دادن دکمه L (b) نشانگر پایین ترین سطح باتری شروع به چشمک زدن می کند، باتری تخلیه شده است

! هنگامی که سطوح ۲ نشانگر باتری بعد از فشار دادن دکمه L (c) شروع به چشمک زدن می کند، باتری در محدوده دمای کاری مجاز نیست

• چراغ LED (A)

• هنگامی که کلید روشن/خاموش را فعال می کنید چراغ LED بطور خودکار روشن می شود

! اگر سیستم محافظت باتری فعال شده باشد، چراغ DEL شروع به چشمک زدن می کند (بخش زیر را ملاحظه کنید)

• محافظت باتری

• ابزار در شرایط زیر ناگهان خاموش شده و یا روشن نمی شود

- بار وارده خیلی زیاد است -- بار را برداشته و دوباره راه اندازی کنید

- دمای باتری در محدوده دمای کاری مجاز ۰-۲۰ تا ۵۰ درجه سانتیگراد نیست

- ۲ سطوح نشانگر شارژ باتری در هنگام فشار دادن دکمه L (c) شروع به چشمک زدن می کنند؛ صبر کنید تا باتری به محدوده دمای کاری مجاز بازگردد

- باتری عملاً تخلیه شده است (برای محافظت در برابر تخلیه عمیق) -- یک سطح باتری ضعیف یا سطح باتری ضعیف چشمک زن (b) در صورت فشار دادن دکمه L روی نشانگر سطح باتری دیده خواهد شد؛ باتری را شارژ کنید

! بعد از خاموش شدن خودکار ابزار کلید روشن/خاموش را مرتب فشار ندهید؛ امکان دارد باتری آسیب ببیند

• کلید ترکیبی برای روشن/خاموش کردن و کنترل دور با کلید گردان ضامن (a) (b)

- ابتدا با فشار دادن کلید گردان A از حالت قفل خارج کنید

- با کشیدن ضامن B ابزار را روشن کنید

- با کم یا زیاد کردن فشار دست روی استارت می توانید دور را بدون پله از صفر تا حداکثر تنظیم کنید

- با رها کردن استارت B خاموش کنید

• کلید گردان ضامن A را می توان فعال کرد (c)

- در صورت قرار نداشتن کلید استارت قفل شده و دستگاه در برابر روشن شدن اتفاقی محافظت می گردد

• سوار کردن تیغه (d)

! پیش از انجام هرگونه تغییر و یا عوض کردن متعلقات، باتری را از ابزار خارج کنید

- ضامن تیغه C را در جهت موافق پیکان D روی ابزار بچرخانید داده و در همان وضعیت نگه دارید

## ایمنی

راهنمایای های ایمنی عمومی برای ابزارهای الکتریکی  
**⚠ هشدار تمامی هشدارهای ایمنی، دستورالعمل ها، تصاویر و مشخصات فنی ارائه شده همراه با این ابزارهای الکتریکی را مطالعه کنید در صورت عدم رعایت هشدارهای زیر خطر برق گرفتگی، آتش سوزی و/یا بروز جراحت های شدید وجود خواهد داشت.**

همه هشدارها و راهنمایی ها را برای استفاده آتی نگهداری کنید.

در این هشدارها عبارت "ابزار الکتریکی" به معنی ابزاری الکتریکی فاقد باتری (با سیم برق) و یا ابزارهای الکتریکی باتری دار (شارژر) است

### ۱) ایمنی محل کار

- ا) محل کار خود را تمیز مرتب و مجهز به نور کافی نگهدارید. محیط کار نامرتب و کم نور میتواند باعث سوانح کاری شود.
- ب) با ابزار الکتریکی در محیط هایی که در آن خطر انفجار وجود داشته و حاوی مایعات، گازها و غبارهای محترقه باشد، کار نکنید. ابزارهای الکتریکی جرقه هایی ایجاد می کنند که می توانند باعث آتش گرفتن گرد و بخارهای موجود در هوا شوند.
- ت) هنگام کار با ابزار الکتریکی، کودکان و سایر افراد را از دستگاه دور نگهدارید. در صورتیکه حواس شما پرت شود، ممکن است کنترل دستگاه از دست شما خارج شود.

### ۲) ایمنی الکتریکی

- ا) دوشاخه ابزار الکتریکی باید با پریز برق تناسب داشته باشد. هیچگونه تغییری در دوشاخه ندهید. مبدل دوشاخه نباید همراه با ابزار الکتریکی دارای اتصال به زمین (ارت شده) استفاده شود. مبدل دوشاخه نباید همراه با ابزار الکتریکی دارای اتصال به زمین (ارت شده) استفاده شود.
- ب) از تماس بدنی با قطعات دارای سیم اتصال به زمین (ارت شده) مانند لوله، شرفاژ، اجاق برقی و یخچال خود داری کنید. در صورتیکه بدن شما با سیم دارای اتصال به زمین (ارت شده) تماس پیدا کند، خطر برق گرفتگی بیشتر خواهد شد.
- ت) دستگاه را از باران و رطوبت دور نگهدارید. نفوذ آب به ابزار الکتریکی، خطر شوک الکتریکی را افزایش می دهد.
- ث) از سیم به درستی استفاده کنید. از سیم دستگاه برای کارهایی چون حمل ابزار الکتریکی، آویزان کردن آن و یا خارج کردن دوشاخه از برق استفاده نکنید. دستگاه را در مفاصل حرارت، رطوبت، لایه های تیز و بخش های متحرک دستگاه نگهدارید. کابل های آسیب دیده و یا گره خورده خطر شوک الکتریکی را افزایش می دهند.
- ج) در صورتیکه با ابزار الکتریکی در محیط باز کار می کنید، تنها از کابل را بطی استفاده کنید که برای محیط باز نیز مناسب باشد. کابل های رابط مناسب برای محیط باز، خطر برق گرفتگی را کم می کنند.
- ح) در صورت لزوم کار با ابزار الکتریکی در محیط و اماکن مرطوب، در اینصورت باید از یک کلید حفاظت جریان خطا و نشستی زمین (کلید قطع کننده اتصال با زمین) استفاده کنید. استفاده از کلید حفاظتی جریان خطا و نشستی زمین خطر برق گرفتگی را کمتر می کند.
- ۳) رعایت ایمنی اشخاص
  - ا) حواس خود را خوب جمع کنید، به کار خود دقت کنید و با فکر و هوش کامل با ابزار الکتریکی کار کنید. در صورت سستی و یا در صورتیکه مواد مخدر، الکل و دارو استفاده کرده اید، با ابزار الکتریکی کار نکنید. یک خلطه بی توجهی هنگام کار با ابزار الکتریکی، میتواند جراحت های شدیدی به همراه داشته باشد.
  - ب) همواره از تجهیزات ایمنی شخصی استفاده کنید. همواره از عینک ایمنی استفاده کنید. استفاده از تجهیزات ایمنی مانند ماسک ایمنی، کفش های ایمنی ضد لغزش، کلاه ایمنی و گوشی ایمنی مناسب با نوع کار با ابزار الکتریکی، خطر مجروح شدن را تقلیل می دهد.
- ت) مواظب باشید که ابزار الکتریکی بطور ناخواسته بکار نیفتد. قبل از وارد کردن دوشاخه دستگاه در پریز برق، اتصال آن به باطری، برداشتن آن و یا حمل دستگاه، باید دقت کنید که ابزار الکتریکی خاموش باشد. در صورتیکه هنگام حمل دستگاه انگشت شما روی دکمه قطع و وصل باشد و یا دستگاه را در حالت روشن به برق بزنید، ممکن است سوانح کاری پیش آید.

ت) قبل از روشن کردن ابزار الکتریکی، باید همه ابزار های تنظیم کننده و آچار ها را از روی دستگاه بردارید. ابزارو آچارهایی که روی بخش های چرخنده دستگاه قرار دارند، می توانند باعث ایجاد جراحت شوند.

ج) بیش از حد به آنها نزدیک نشوید. برای کار جای مطمئن برای خود انتخاب کرده و تعامل خود را همواره حفظ کنید. به این ترتیب می توانید ابزار الکتریکی را در وضعیت های غیر منتظره بهتر تحت کنترل داشته باشید.

ح) لباس مناسب بپوشید. از پوشیدن لباس های فراخ و حمل زینت آلات خود داری کنید. موها، لباس و دستکش ها را از بخش های در حال چرخش دستگاه دور نگهدارید. لباس های فراخ، موی بلند و زینت آلات ممکن است در قسمت های در حال چرخش دستگاه گیر کنند.

خ) در صورتیکه می توانید وسایل مکش گرد و غبار و یا وسیله جذب زائده را به دستگاه نصب کنید، باید مطمئن شوید که این وسایل نصب و درست استفاده می شوند. استفاده از وسایل مکش گرد و غبار مصونیت شما را در برابر گرد و غبار زیاد تر می کند.

د) اجازه ندهید آشنایی و تسلط حاصل از استفاده مکرر از ابزارها باعث شود احساس نیاز به رعایت قواعد نکرده و به قوانین ایمنی ابزار بی توجهی کنید به عمل از روی بی دقتی می تواند در کسری از ثانیه موجب جراحت شدید شود

۴) استفاده صحیح از ابزار الکتریکی و مراقبت از آن

- ا) از وارد کردن فشار زیاد روی دستگاه خود داری کنید. برای هر کاری، از ابزار الکتریکی مناسب با آن استفاده کنید. بکار گرفتن ابزار الکتریکی مناسب می شود که بتواند از توان دستگاه بهتر و یا اطمینان بیشتر استفاده کنید.
- ب) در صورت ایراد در کلید قطع و وصل ابزار برقی، از دستگاه استفاده نکنید. ابزار الکتریکی که نمی توان آنها را قطع و وصل کرد، خطرناک بوده و باید تعمیر شوند.
- ت) قبل از تنظیم ابزار الکتریکی، تویض متعلقات و یا کنار گذاشتن آن، دوشاخه را از برق کشیده و یا باطری آنرا خارج کنید. رعایت این اقدامات پیشگیری ایمنی از رخدادهای ناخواسته ابزار الکتریکی جلوگیری می کند.
- ث) ابزار الکتریکی را در صورت عدم استفاده، از دسترس کودکان دور نگهدارید. اجازه ندهید که افراد نا وارد و یا اشخاصی که این دفتر چه راهنما را نخوانده اند، با این دستگاه کار کنند. فرار گرفتن ابزار الکتریکی در دست افراد ناوارد و بی تجربه خطرناک است.

ج) از ابزار الکتریکی خوب مراقبت کنید. مواظب باشید که قسمت های متحرک دستگاه خوب کار کرده و گیر نکنند. همچنین دقت کنید که قطعات ابزار الکتریکی شکسته و یا آسیب دیده نباشند. قطعات آسیب دیده را قبل از شروع به کار تعمیر کنید. علت بسیاری از سوانح کاری، عدم مراقبت کامل از ابزارهای الکتریکی می باشد.

ح) ابزار برش را نیز تمیز نگهدارید. ابزار برشی که خوب مراقبت شده و از لبه های تیز برخوردارند، کمتر درقطعه کار گیر کرده و بهتر قابل هدایت می باشند.

خ) دستگاههای الکتریکی، متعلقات، ابزاری که روی دستگاه نصب می شوند و غیره را مطابق دستورالعمل ایمنی آن چاره رانها طوری به کار بگیرید که با مدل این دستگاه تناسب داشته باشند. همچنین به شرایط کاری و نوع کار توجه کنید. کاربرد ابزار برقی برای موارد کاری که برای آن در نظر گرفته نشده است، میتواند شرایط خطرناکی را منجر شود.

د) دسته ها و سطوح دستگیره ها را خشک، تمیز و عاری از روغن و گریس نگه دارید با دسته ها و سطوح دستگیره های لیز نمی توان در شرایط غیرمنتظره بطور ایمن با ابزار کار کرد و کنترل آنها داشت

۵) مراقبت و طرز استفاده از ابزارهای شارژی  
 ا) باطری را رامنحصراً در دستگاههایی شارژ کنید که توسط سازنده توصیه شده باشند. در صورتیکه برای شارژ باطری، آنرا در شارژر قرار دهید که برای آن باطری ساخته نشده است. خطر آتشنسوزی وجود دارد.

ب) در ابزار آلات الکتریکی، فقط از باطری هایی استفاده کنید که برای آن در نظر گرفته شده اند. استفاده از باطری های متفرقه می تواند منجر به جراحت و حریق گردد.

ت) در صورت عدم استفاده از باطری باید آنرا از گیره های فلزی، سکه، کلید، میخ، پیچ و دیگر وسایل کوچک فلزی دور نگه دارید، زیرا این وسایل ممکن است باعث ایجاد اتصال شوند. ایجاد اتصالی بین دو قطب باطری (ترمنالهای باطری) میتواند باعث سوزخگی و ایجاد حریق شود.

ث) استفاده ی رویه از باطری میتواند باعث خروج مایعات از آن شود. از دست زدن به آن خود داری کنید. در صورت تماس اتفاقی با آن، دست خود را با آب بشوئید. در صورت آلوده شدن چشم با این مایع، باید به پزشک مراجعه کنید. مایع خارج شده از باطری میتواند باعث التهاب پوست و سوزخگی شود.

ج) اگر یک بسته باتری یا ابزار آسیب دیده یا دستکاری شده اند، نباید از آنها استفاده کنید. باتری های آسیب دیده یا دستکاری شده ممکن است کارکرد غیرقابل

- أدخل النصل بحيث تكون السنون موجهة لأسفل أو لأعلى للمعق الكامل
- حرر قاطعة النصل C
- اضغط القاطعة واسحبها للخارج للتأكد من قفلها بشكل صحيح
- ! إزالة نصل المنشار ⑩
- ! إزالة البطارية من الأداة قبل إجراء أي عمليات ضبط أو تغيير على أي من الملحقات
- أدر قاطعة النصل C في نفس اتجاه السهم D على الأداة وتثبيتها في هذا الموضع
- اسحب القاطعة للخارج
- حرر قاطعة النصل C
- ! ⑪ الحركة المدارية للقطع السريع
- كما هو مبين في N - لتنشيط الحركة المدارية لنصل المنشار، استخدم مفتاح الشكل
- ! لا تقم بتنشيط الحركة المدارية عند قطع المعادن
- تشغيل الأداة
- ! قم بقطع قطعة العمل على نحو آمن
- علم خط القطع على قطعة العمل
- تثبيت البطارية على الأداة
- امسك الأداة وأحدي يدك على المقبض E واليد الأخرى على المقبض الاسطواني العزول F
- قم بتنشغيل الأداة
- وجه الأداة على امتداد خط القطع المَعْلَم
- حافظ على المنصة G مقابل قطعة العمل بشكل محكم لتقليل القوى الضادة والاهتزاز
- امسك الأداة وتوجيهها
- ! أثناء العمل، امسك الأداة دائماً من منطقة (مناطق) المقبض رمادية اللون ⑫
- احرص على أن تكون فتحات التهوية H غير مغطاة:
- لا تضغط بشدة على الأداة، بل اتركها تقوم بالعمل من أجلك:
- ! تأكد من أن نصل المنشار يمتد إلى ما بعد قطعة العمل غير النشطة ⑬
- شبط عمق النشر الفعال ⑭
- ! إزالة البطارية من الأداة قبل إجراء أي عمليات ضبط أو تغيير على أي من الملحقات
- استخدم مفتاح مسدس K لفك وربط كل من مسامير التثبيت L
- قم بتحريك المنصة G إلى الامام/إلى الخلف لتكبير/تصغير عمق النشر الفعال

## توصيات الاستخدام

- قطع الغطس ⑮
- يمكن إجراء فتوحات الغطس في الأخشاب والمواد الناعمة الأخرى بدون إجراء ثقب خضيري لفتحة
- استخدم نصل منشار سميك
- ! إزالة البطارية من الأداة قبل إجراء أي عمليات ضبط أو تغيير على أي من الملحقات
- ركّب النصل بحيث تكون السنون موجهة لأعلى
- علم خط القطع المطلوب على قطعة العمل
- قم بإمالة الأداة بحيث لا يلامس النصل قطعة العمل
- قم بتشغيل الأداة وتعشيق نصل المنشار المتحرك في قطعة العمل مع توح الخذر
- بعد أن يخترق النصل قطعة العمل، يستمر نشر القطعة على امتداد خط القطع المَعْلَم
- ! لا تقم بإجراء فتوحات غطس في المواد المعدنية
- استخدم أنصال المنشار اللامنة ⑯
- عند قطع المعادن، قم بتزليق نصل المنشار بانتظام بالزيت
- قطع بدون تنشيطي
- قم بتغطية خط القطع بعدة طبقات من شريط عريض قبل القيام بعملية القطع
- قم دائماً بتوجيه الجانب الجيد من قطعة العمل إلى أسفل
- لمزيد من المعلومات زر موقعنا [www.skil.com](http://www.skil.com)

## الصيانة / الخدمة

- لم يتم تصميم هذه الأداة للاستخدام الاحترافي:
- احرص دائماً على نظافة الأداة (وخصوصاً فتحات التهوية H ⑰)
- ! أزل البطارية من الأداة قبل التنظيف
- إذا تعذر تشغيل الأداة على الرغم من الخذر الشديدي في إجراءات التصنيع والاختبار،

- فيجب القيام بالإصلاحات بواسطة مركز خدمة ما بعد البيع لأدوات الطاقة التابع لشركة SKIL:
- قم بإرسال الأداة دون تفكيكها بالإضافة إلى إثبات الضمان إلى البائع أو أقرب محطة خدمة SKIL (العناوين بالإضافة إلى مخطط الخدمة متاحان على [www.skil.com](http://www.skil.com))
- على كل علم بأن التلف الناتج عن زيادة التحميل أو التعامل مع الأداة بطريقة خاطئة سيتم استثناءه من الضمان (لعرفة شروط ضمان SKIL انظر [www.skil.com](http://www.skil.com) أو قم بسؤال بائع المعدات)

## البيئة المحيطة

- لا تتخلص من الأدوات الكهربائية والبطاريات والملحقات ومواد التغليف مع النفايات المنزلية (الدول الإخاد الأوروبي فقط):
- وفقاً للتوجيه الأوروبي EC/19/2012 حول نفايات المعدات الكهربائية والإلكترونية وتطبيقه بالتوافق مع القانون المحلي، يجب جمع الأدوات الكهربائية منتهية الصلاحية بشكل منفصل وإرسالها إلى أحد منشآت إعادة التصنيع المتوافقة مع البيئة
- سيزنكر الرمز ⑱ بهذا عند الحاجة إلى التخلص من أية أداة:
- ! قبل التخلص من البطارية، قم بحماية الأطراف بشرط قوي لمنع حدوث دارة قصيرة

## الضوضاء / الاهتزاز

- عند القياس بالتوافق مع EN ٦٢٨٤1 يكون مستوى ضغط صوت هذه الأداة هو ٨٥,٠ ديسيبل(A) ومستوى صوت الطاقة ٩٦,٠ ديسيبل (A) (الاحتمالية K = ٥ ديسيبل).
- والاهتزاز: \* مجموعة الكميات الموجهة: الاحتمالية K = ١,٥ م(2)
- \* قطع الألواح ٩,٩ م/2
- \* قطع العوارض الخشبية ٩,٥ م/2
- تم قياس مستوى الاهتزازات بالتوافق مع الاختبار المعياري المحدد في EN ٦٢٨٤1، يمكن استخدامه لمقارنة أداة بأداة أخرى وتكثيف تمهيدي للتعرض للاهتزاز عند استخدام الأداة في التطبيقات الموصحة:
- قد يؤدي استخدام الأداة في تطبيقات مختلفة أو مع ملحقات مختلفة أو ذات صيانة رديئة إلى زيادة مستوى التعرض بصورة كبيرة:
- إن الفترة الزمنية التي يتم خلالها إيقاف تشغيل الأداة أو عندما تكون قيد التشغيل لكنها لا تؤدي أية مهام، تؤدي إلى تقليل مستوى التعرض بصورة كبيرة:
- ! قم بحماية نفسك من تأثيرات الاهتزاز من خلال صيانة الأداة وملحقاتها، والحفاظ على يدك دافئتين وتنظيم أحمال العمل لديك:

FA

## يرزاش سل ش ارب يتش كارب و تفار هرا ٣٤٨٠

### مقدمه

- اين ابزار برای بریدن چوب، پلاستیک، فلزات و مصالح ساختمانی و نیز هرس کاری و کوتاه کردن شاخه درختان طراحی شده است؛ این ابزار برای اجرای برش های مستقیم و منحنی مناسب است
- این ابزار برای مناصف حرفه ای مناسب نیست
- لطفاً این دفترچه راهنما را مطالعه کرده و نگهدارید ⑲

## اطلاعات فنی ①

### اجزای ابزار ②

- |   |                             |
|---|-----------------------------|
| A | کلید گردان قفلی             |
| B | کلید روشن/خاموش و کنترل دور |
| C | ضامن تیغه                   |
| D | پیکان                       |
| E | دسته                        |
| F | جای دست                     |
| G | پایه کار قابل تنظیم         |
| H | شیارهای تهویه               |
| J | پیچ های محکم کننده          |

ت) حافظ على إبعاد المراكم الذي لا يتم إستعماله عن منسبات اللوق وقطع النقود المعدنية والمفاتيح والمسامير والبوابب أو غيرها من الأغراض المعدنية الصغيرة التي قد تقوم بتوصيل اللامسبين ببعضهما البعض، قد يؤدي تقصير الدارة الكهربائية بين سائل مساسي الزرهم على الاحتراق أو إلى إندلاع النار.

ث) قد يتسرب السائل من المراكم عند سوء الإستعمال. جُنب ملامسته. اشطفه بماء في حال ملامسته صدفه. إن وصل السائل إلى العينين، فراجع الطبيب إضافة إلى ذلك قد يؤدي سائل المراكم المتسرب إلى تهيج البشرة أو إلى الاحتراق.

ج) لا تستخدم حزمة بطاريات أو أداة تالفة أو معدلة. قد تُظهر البطاريات التالفة أو المعدلة سلوكيات غير متوقعة يتجم عنها حدوث حريق أو انفجار أو خطر التعرض للإصابة.

ح) جُنب تعريض حزمة البطاريات أو الأداة للهلب أو درجة الحرارة الزائدة، التعرض للهلب أو درجة حرارة أعلى من ٠٣١ درجة مئوية قد يتسبب في حدوث انفجار.

خ) اتبع كل تعليمات الشحن ولا تقم بشحن حزمة البطاريات أو الأداة خارج نطاق درجة الحرارة المحدد في التعليمات. إن الشحن على نحو غير صحيح أو عند درجات حرارة تتجاوز النطاق المحدد قد يتسبب في تلف البطارية وزيادة خطر حدوث حريق.

١٦ الخدمة  
ا) اسمح بتصلب عندك الكهربائية فقط من قبل المتخصصين فقط باستعمال قطع غير الأصلية. يؤمن ذلك المحافظة على أمان الجهاز.

ب) جُنب تماماً خدمة حزم بطاريات تالفة. ينبغي إجراء أعمال الخدمة على حزم البطاريات بمعرفة الشركة المصنعة أو مزودي الخدمة المعتمدين فقط.

### تعليمات السلامة الخاصة بمنشأير القطع الترددي اللاسلكية:

- أمسك الأداة الكهربائية بواسطة الأسطح الفايضة المعزولة، عند إجراء أي عملية قد تتلامس فيها ملحقات القطع مع سلك مستتر (عند تلامس ملحقات القطع مع سلك مكشوف "حي" قد يوصل الكهرباء إلى الأجزاء المعدنية المكشوفة في الأداة الكهربائية، مما يؤدي إلى إصابة المستخدم بصدمة كهربية).
- استخدم المفاتيح أو وسيلة عملية أخرى لتثبيت قطع العمل بمنصة ثابتة ودعمها (الإمسك بقطعة العمل في يدك أو مقابل جسمك قد يؤدي إلى فقدان التحكم).

- تتضمن SKIL التشغيل السليم للأداة فقط عند استخدام الملحقات الأصلية؛
- استخدم فقط الملحقات بالسرعة المسموح بها، والتي توافق على الأقل أعلى سرعة للأداة بدون حمل.

### قبل الاستخدام

- جُنب التلف الذي قد يتسبب فيه البراغي والمسامير والعناصر الأخرى الموجودة في القطعة التي تعمل بها. قم بفكهم قبل بدء العمل.
- استخدم كاشفات كاملة للعثور على خط المرافق أو اطلب بشركة المرافق المحلية للحصول على مساعدة (التلامس مع خطوط إمداد الكهرباء قد يؤدي إلى حدوث حريق أو صدمة كهربائية؛ وتلف خط الغاز قد يؤدي إلى حدوث انفجار؛ واختراق أنابيب المياه سيتسبب في حدوث ضرر في الممتلكات أو صدمة كهربائية)؛

- أمان الأشخاص  
لا يجب استخدام هذه الأداة من قبل الأشخاص الأقل من ١٦ عام؛
- لا تعمل باستخدام مواد تشتمل على الأيسبستوس (يعتبر الأيسبستوس مادة مسرطنة)؛

- الغبار الناتج من المواد كالتلاطم الذي يحتوي على رصاص وبعض أنواع الأحشاب والمعادن والكربونات المعدنية قد يكون ضاراً (ملاصقة أو استنشاق الغبار قد تتسبب في إصابة المتلقي أو من يجاوره بأمراض الحساسية وأو أمراض الجهاز التنفسي)؛
- قم بارتدائه قناع للغبار مع العمل باستخدام جهاز شفط للغبار. طالما أمكن توصيله

- ثمة أنواع معينة من الغبار تُصنف على أنها مواد مسببة للسرطان (مثل غبار خشب البلوط والزنان) خاصة عند استخدامها مع مواد مضافة لمعالجة الخشب؛ قم بارتدائه قناع للغبار مع العمل باستخدام جهاز شفط للغبار طالما أمكن توصيله

- التزم بالتعليمات الوطنية الخاصة بالغبار عند العمل باستخدام المواد المطلوبة
- احرص على بقاء يدك بعيداً عن منطقة القطع والنصل، وض يدك الأخرى على المقبض الأسطواني F ① (إذا كنت تمسك المنشار بكلتا يديك، فلن يتعرضوا للقطع بسبب النصل)؛

- لا تمسك بيدك أسفل قطعة العمل (فقرّب النصل من يدك يكون مخيفاً عن نظرك)؛
- يحظر نهائياً الإمساك بقطعة جاري قطعها في يديك أو بين ساقيك (من الضروري دعم العمل بشكل صحيح لتقليل إنزهاك الجسم أو تعويق حركة النصل أو فقدان التحكم)؛
- لا تستخدم نصل غير حاد أو تالف (الأنصال غير الحادة قد تنكسر بسهولة أو تسبب الارتداد)؛

- استخدام قفازات وقاية عند إزالة النصل من الأداة (قد يكون نصل المنشار ساخناً بعد الاستخدام لفترة طويلة)؛
- ارتد نظارات الأمان وواقبات السمع

### البطاريات

- البطارية الزمودة مشحونة جزئياً (الضمان السعة الكاملة للبطارية، قم بشحن البطارية بالكامل في شاحن البطارية قبل استخدام الأداة الكهربائية لأول مرة)
- استخدم البطاريات والشواحن التي ترد مع هذه الأداة فقط
- بطارية SKIL: BR1 ٣١٠٠٠٣١
- شاحن SKIL: CR1 ٣١٠٠٠٣١
- لا تستخدم البطارية إذا تعرضت للتلف؛ يجب استبدالها
- لا تقم بتفكيك البطارية
- لا تعرض الأداة/البطارية للأمتار
- درجة الحرارة المحيطة المسموح بها (الأداة/الشاحن/البطارية):
- عند الشحن ٤٠...٤٠ مئوية
- أثناء التشغيل ٢٠...٢٠ مئوية
- أثناء التخزين ٠...٠٠ مئوية

### شرح الرموز الموجودة على الأداة/البطارية

- ① قم بقراءة دليل الإرشادات قبل الاستخدام
- ② قد تنجبر البطاريات عندما يتم التخلص منها بإشغال النار بها. لذا لا تقم بحرقها لأي سبب من الأسباب
- ③ قم بتخزين الأداة/الشاحن/البطارية في أماكن لا تتجاوز درجة الحرارة فيها ٥٠ درجة مئوية؛
- ④ لا تتخلص من الأدوات الكهربائية والبطاريات مع النفايات المنزلية

### الاستخدام

- شحن البطارية
- اقرأ تعليمات السلامة والتعليمات المرفقة للشاحن
- ! تركيب البطارية ①
- مبن مستوى البطارية ②
- اضغط على زر مؤشر مستوى البطارية L لعرض مستوى البطارية الحالي (a) ③
- ! عندما يبدأ مستوى الأقل في مؤشر البطارية بالوميض بعد الضغط على الزر (b) ④، مستوى البطارية فارغة
- ! عندما يبدأ ٢ من مستويات مؤشر البطارية بالوميض بعد الضغط على الزر L (c) ⑤، لا تكون البطارية ضمن نطاق درجة حرارة التشغيل المسموح بها

### مصباح LED ⑥

- يضيء مصباح LED تلقائياً عند تفعيل مفتاح التشغيل/إيقاف التشغيل
- ! عندما يبدأ مصباح DEL في الوميض، يتم تفعيل حماية البطارية (انظر أدناه)
- حماية البطارية

يتم إيقاف تشغيل الأداة أو منع تشغيلها بصورة مفاجئة عندما يكون الحمل زائداً << قم بإزالة الحمل وإعادة البدء

- لا تكون درجة حرارة البطارية ضمن نطاق درجة حرارة التشغيل المسموح بها من ٢٠ إلى ٥٠ درجة مئوية << يبدأ ٢ من مستويات مؤشر مستوى البطارية بالوميض عند الضغط على الزر L (c) ⑤؛ انتظر حتى تعود البطارية إلى نطاق درجة حرارة التشغيل المسموح بها
- البطارية شبيهة فارغة (لحمايتها ضد التفريغ التام للشحنة) << يظهر انخفاض مستوى البطارية أو انخفاض مستوى البطارية الواض (b) ④ من خلال مؤشر مستوى البطارية عند الضغط على زر: ا. أشحن البطارية

- ! لا تستمر في الضغط على مفتاح تشغيل/إيقاف تشغيل بعد إيقاف تشغيل الأداة تلقائياً، فيما تتسبب في إتلاف البطارية
- مفتاح متعدد الوظائف للتشغيل/إيقاف التشغيل والتحكم في السرعة مع مقبض قفل ⑥ ④

- قم بالفتح من خلال الضغط على المقبض A
- قم بتشغيل الأداة عن طريق ضغط الزناد B:
- يتحكم في السرعة من الصفر وحتى السرعة القصوى على نحو غير متدرج بالضغط أكثر أو أقل على الزناد
- أوقف التشغيل عن طريق تحرير الزناد B

- يمكن تنشيط A مقبض القفل ④
- في حالة التنشيط، يتم تعطيل مفتاح التشغيل/إيقاف التشغيل ويتم تأمين الجهاز ضد التشغيل دون قصد
- تركيب شفرة المنشار ⑤
- ! إزالة البطارية من الأداة قبل إجراء أي عمليات ضبط أو تغيير على أي من الملحقات
- أدر قاطعة النصل C في نفس اتجاه السهم D على الأداة وثبتها في هذا الوضع

## آشرف نودبو كتلس نودب يدردت راشنم

٣٤٨٠

### مقدمة

- هذه الأداة مخصصة لقطع الخشب والبلاستيك والمعدن ومواد البناء ولتهديب وتقليم الأشجار وهي مناسبة لعمل قطوعات مستقيمة ومنحنية
- لم يتم تصميم هذه الأداة للاستخدام الاحترافي:
- اقرأ دليل التعليمات هذا واحتفظ به ٢

### البيانات الفنية ١

### مكونات الأداة ٢

A	مقبض القفل
B	مفتاح للتشغيل/الإيقاف والتحكم في السرعة
C	قامطة النصل
D	سهام
E	مقبض
F	مقبض اسطواني
G	منصة قابلة لضبط
H	فتحات التهوية
J	مسامير تثبيت
K	مفتاح سدس
L	مبين مستوى البطارية
M	مصباح DEL
N	زر الحركة المادية

### أمان

#### تحذيرات السلامة العامة للأداة الكهربائية

أ) تحذير اقرأ كل تحذيرات السلامة والتعليمات والأشكال الإيضاحية والمواصفات المرفقة مع هذه الأداة الكهربائية فقد يؤدي الإخفاق في الالتزام بكل التعليمات المبينة فيما يلي إلى التعرض لصدمة كهربائية وأو حريق وأو إصابة خطيرة:

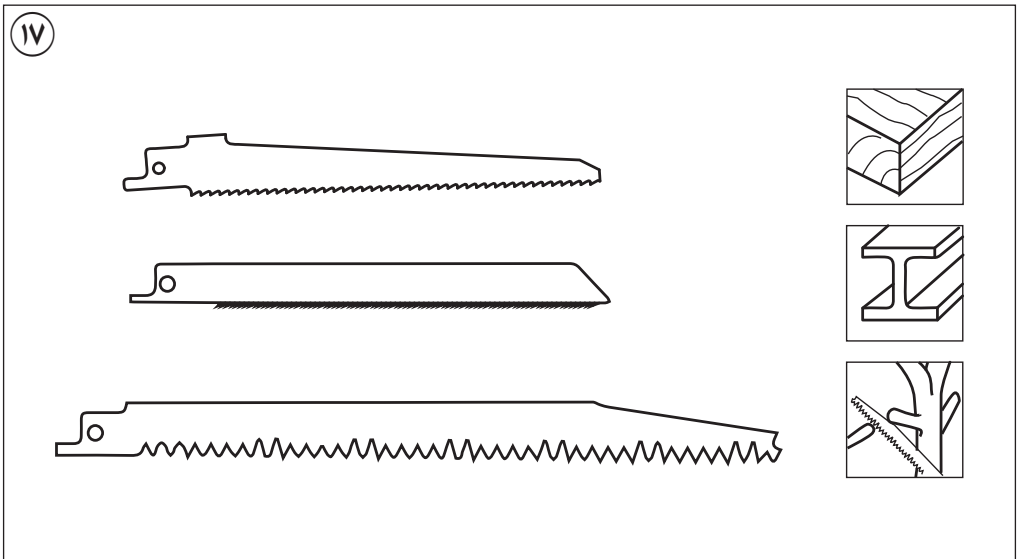
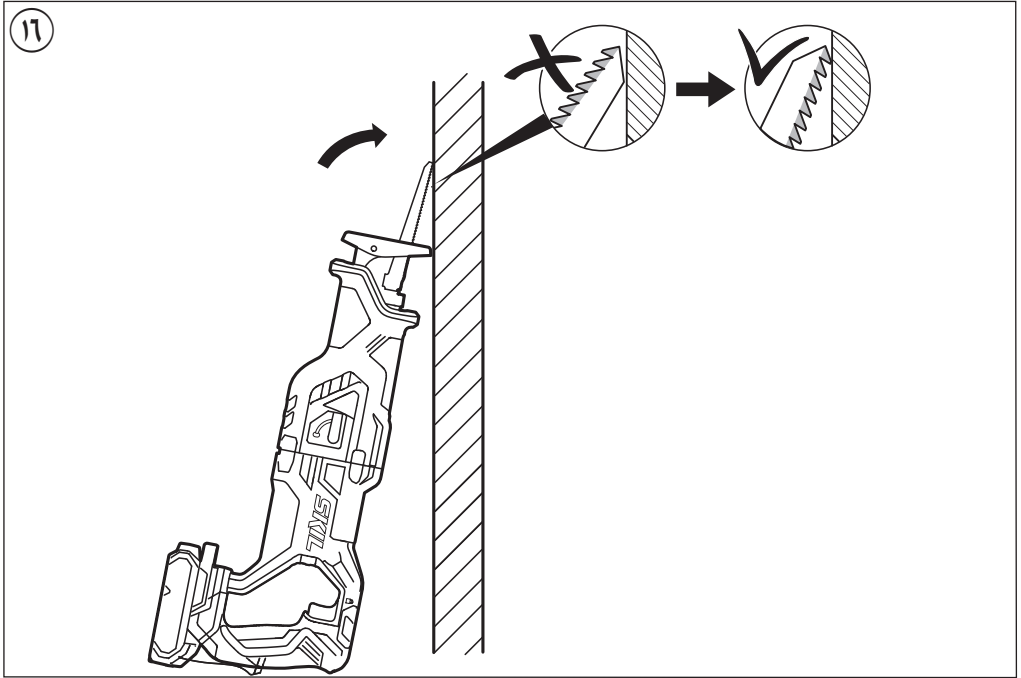
#### احتفظ بكل التحذيرات للرجوع إليها في المستقبل

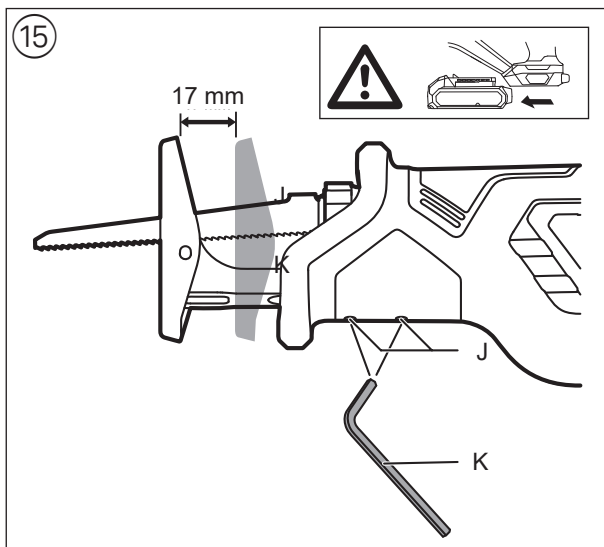
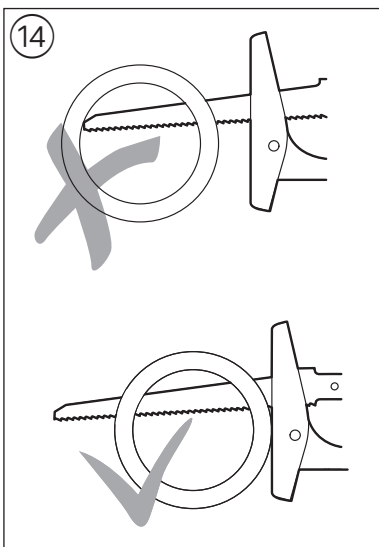
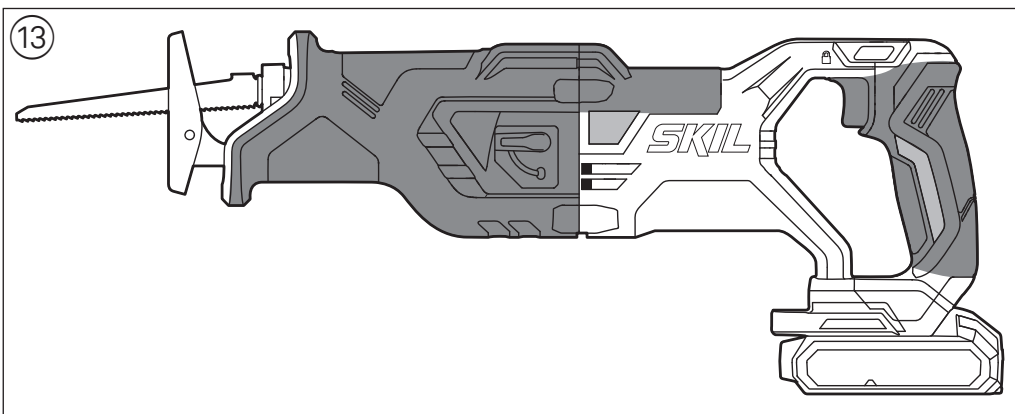
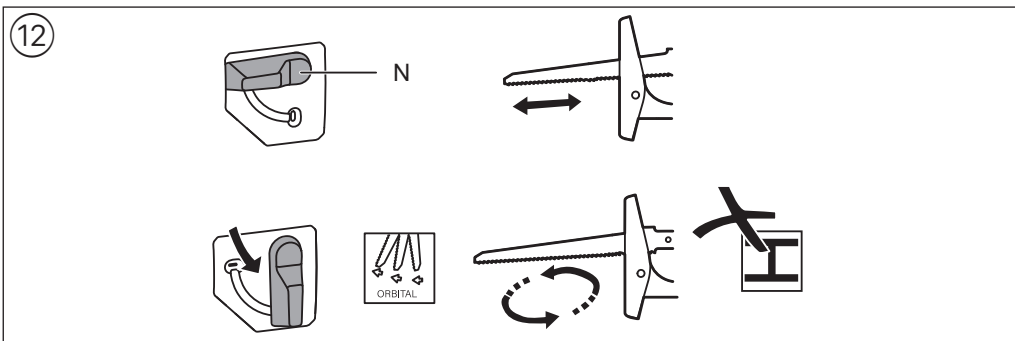
التحذيرات إلى الأداة الكهربائية الخاصة بك التي « الأداة الكهربائية » يشير المصطلح تعمل بطاقة التآخذ الرئيسي، باستخدام سلك (أو بطاقة البطارية إبدون سلك):

- ١) الأمان مكان الشغل
- أ) حافظ على نظافة وحسن إضاءة مكان شغلك. الفوضى في مكان الشغل ومجالات العمل الغير مضادة قد تؤدي إلى حدوث الحوادث.
- ب) لا تشغل بالعدة الكهربائية في محيط معرض خطر الانفجار والذي توفر فيه السوائل والغازات أو الأغبرة القابلة للإشتعال. العدد الكهربائية تشكل الشرر الذي قد يتطاير فيشعل الأغبرة والأجرة.
- ت) حافظ على بقاء الأطفال وغيرهم من الأشخاص على بعد عندما تستعمل العدد الكهربائي. قد تفقد السيطرة على الجهاز عند التلوي.
- ٢) الأمان الكهربائي
- أ) يجب أن يتلامس قابس وصل العدد الكهربائي مع القابس. لا يجوز تغيير القابس بأي حال من الأحوال. لا تستعمل القوابس المهيأة مع العدد الكهربائي المؤرضة تأريض وقائي. تخفض القوابس التي لم يتم تغييرها والقابس الملائمة من خطر الصدمات الكهربائية.
- ب) تجنب ملامسة السطوح المؤرضة كالألأبيوب وراياتورات التدفئة والمدافئ أو البرادات بواسطة جسمك. يزداد خطر الصدمات الكهربائية عندما يكون جسمك موزع.
- ت) أبعد العدد الكهربائي عن الأمطار والرطوبة. يزداد خطر الصدمات الكهربائية إن تسرب الماء إلى داخل العدد الكهربائي.
- ث) يجب عدم إساءة استخدام الكابيل. لا تسن استعمال الكابيل لحمل العدد الكهربائي أو تعليقها أو لنسحب القابيس من القابس. حافظ على إبعاد الكابل عن الحرارة والزيوت والحواف الحادة أو عن أجزاء الجهاز المتحركة. تزيد الكابيلات التالفة أو المتشابكة من خطر الصدمات الكهربائية.
- ج) استخدم فقط كابلات التمديد الصالحة للإستعمال الخارجى أيضا عندما

تشغل بالعدة الكهربائية في الحلاء. خفض استعمال كابل تمديد مخصص للإستعمال الخارجى من خطر الصدمات الكهربائية.

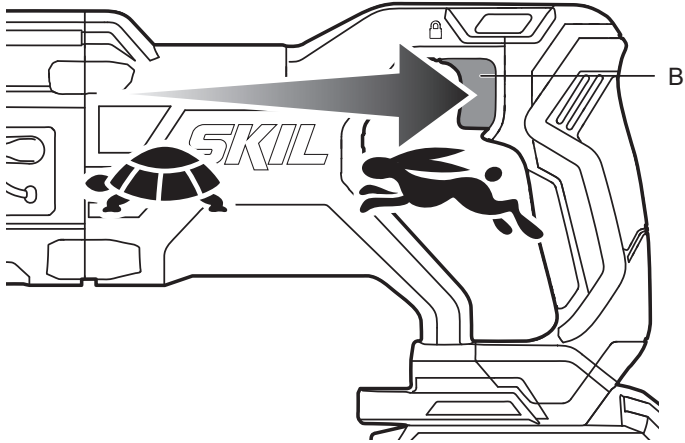
- ٢) إن لم يكن بالإمكان عدم تشغيل العدد الكهربائي في الأجواء الرطبة. فاستخدم فقط للوقاية من التيار المتردد. إن استخدام مفتاح للوقاية من التيار المتردد يقلل خطر الصدمات الكهربائية.
- ٣) أمان الأشخاص
- أ) كن يقظا وانتهبه إلى ما تفعله وقم بالعمل بواسطة العدد الكهربائي بتعقل.. لا تستخدم عدة كهربائية عندما تكون متعب أو عندما تكون تحت تأثير الحدرات أو الكحول أو الأدوية. عدم الإنتباه للحظة واحدة عند إستخدام العدد الكهربائي قد يؤدي إلى إصابة خطيرة.
- ب) ارتد عناءه الوقائية الخاص وارتد دائما نظارات واقية. يجب إرتداء عناء الوقاية الخاص كقناع الوقاية من الغبار وأحذية الأمان الواقية من الإزلاق والحود واقية الأذنين. حسب نوع وإستعمال العدد الكهربائي. من خطر الإصابة بجروح.
- ت) تجنب التنفيل بشكل غير مقصود. تأكد من كون العدد الكهربائي مطفاة قبل وصلها بإمداد التيار الكهربائي وإ/ أو بالمركم. وقبل رفعها أو حملها. إن كنت تضع إصبعك على المفتاح أثناء حمل العدد الكهربائي أو إن وصلت الجهاز بالشبكة الكهربائية عندما يكون قيد التشغيل. فقد يؤدي ذلك إلى حدوث الحوادث.
- ث) انزع عدد الضبط أو مفتاح الربط قبل تشغيل العدد الكهربائي. قد تؤدي العدد أو المفاتيح المتواجدة في جزء دوار من الجهاز إلى الإصابة بجروح.
- ج) تجنب أوضاع الجسم غير الطبيعية. قف بأمان وحافظ على توازنك دائما. سيسمح لك ذلك من السجطرة على الجهاز بشكل أفضل في المواقف غير المتوقعة.
- ح) ارتد ملابس مناسبة. لا ترتدى الثياب الفضفاضة أو الحلي. حافظ على إبقاء الشعر والثياب والقفازات على بعد عن أجزاء الجهاز المتحركة. قد تنشاك الثياب الفضفاضة والحلي والشعر الطويل بالأجزاء المتحركة.
- خ) إن جاز تركيب جهاز شفط وجميع الغبار فتأكد من أنها موصولة وبأنه يتم استخدامها بشكل سليم. قد يقلل إستخدام جهيزات لنسفت الأغبرة من المخاطر الناتجة عن الأغبرة.
- د) لا تدع إعتيادك على الاستخدام المتكرر للأدوات يسمح لك بتجاهل مبادئ سلامة الأداة: قد يتسبب الاستخدام بدون إكتراف في حدوث إصابة بالغة في غضون ثواني:
- ٤) حسن معاملة واستخدام العدد الكهربائي
- أ) لا تفرط في تحميل الجهاز. إستخدم لتنفيذ أشغالك العدد الكهربائي المخصصة لذلك. إنك تعمل بشكل أفضل وأكثر أمانا بواسطة العدد الكهربائي الملائمة في مجال الأداء المذكور.
- ب) لا تستخدم العدد الكهربائي إن كان مفتاح تشغيلها تالف. العدد الكهربائي التي لم تعد تسمح بتشغيلها وإبطافها خطيرة ويجب أن يتم تصليحها.
- ت) اسحب القابيس من المقبس و/ أو انزع المركم قبل ضبط الجهاز وقبل إستبدال التوايح أو قبل وضع الجهاز جانباً. تمنع إجراءات الاحتياط هذه تشغيل العدد الكهربائي بشكل غير مقصود.
- ث) احتفظ بالعدد الكهربائي التي لا يتم إستخدامها بعيدا عن متال الأطفال. لا تسمح باستخدام العدد الكهربائي لمن لاخبرة له بها أو لمن لم يقرأ تلك التعليمات. العدد الكهربائي خطيرة إن تم استخدامها من قبل أشخاص دون خبرة.
- ج) احترن بالعدة الكهربائية بشكل جيد. تفحص عما إذا كانت أجزاء الجهاز المتحركة تعمل بشكل سليم وأنها غير مستعصبة عن الحركة أو إن كانت هناك أجزاء مكسورة أو تالفة لتدرج تؤثر فيها على حسن أداء العدد الكهربائي. ينبغي تصليح هذه الأجزاء التالفة قبل إعادة تشغيل الجهاز. الكثير من الحوادث مصدرها العدد الكهربائي التي تم صيانتها بشكل ردي.
- ح) حافظ على إبقاء عدد القطع نظيفة ومهامة. إن عدد القطع ذات حواف القطع الحادة التي تم صيانتها بعناية تكليش بشكل أقل وتكون توجيهها بشكل أيسر.
- خ) استخدم العدد الكهربائي والتوايح وعدد التشغيل والتخ. حسب هذه التعليمات. تراعى أثناء ذلك شروط التشغيل والعمل المراد تنفيذ. استخدام العدد الكهربائي لغبر الأشغال المخصصة لأجلها قد يؤدي إلى حدوث الحالات الخطيرة.
- د) احرص على جفاف المفارش وأسطح الإسماك ونظافتها وخلوها من الزيت والشحم. لا تسمح المقابض وأسطح الإسماك الزلقة بالاستخدام والتحكم الأمان في الأداة في الحالات غير المتوقعة:
- ٥) حسن معاملة واستخدام العدد المزودة برمك
- أ) اشحن المركم فقط في أجهزة الشحن التي ينصح باستخدامها من طرف المنتج. يعم خطر نشوب الحرائق بأجهزة الشحن المخصصة لنوع معين من المراكم إن تم إستخدامها مع نوع آخر من المراكم.
- ب) استخدم بالعدد الكهربائي فقط المراكم المخصصة لذلك قد يؤدي استخدام المراكم الأخرى إلى الإصابات إلى خطر نشوب الحرائق.



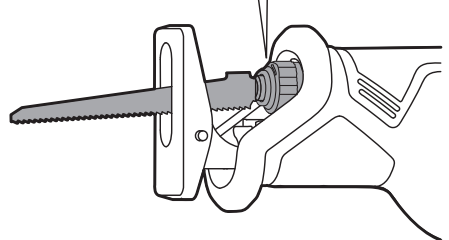
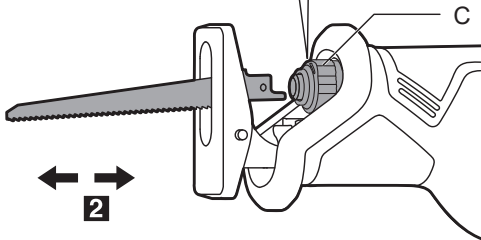
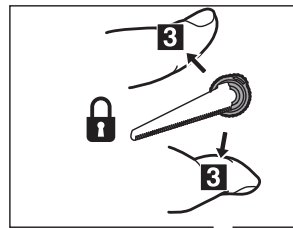
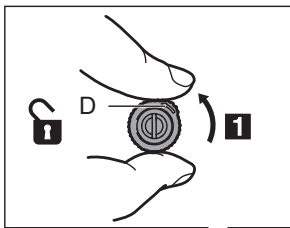
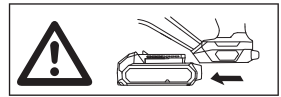


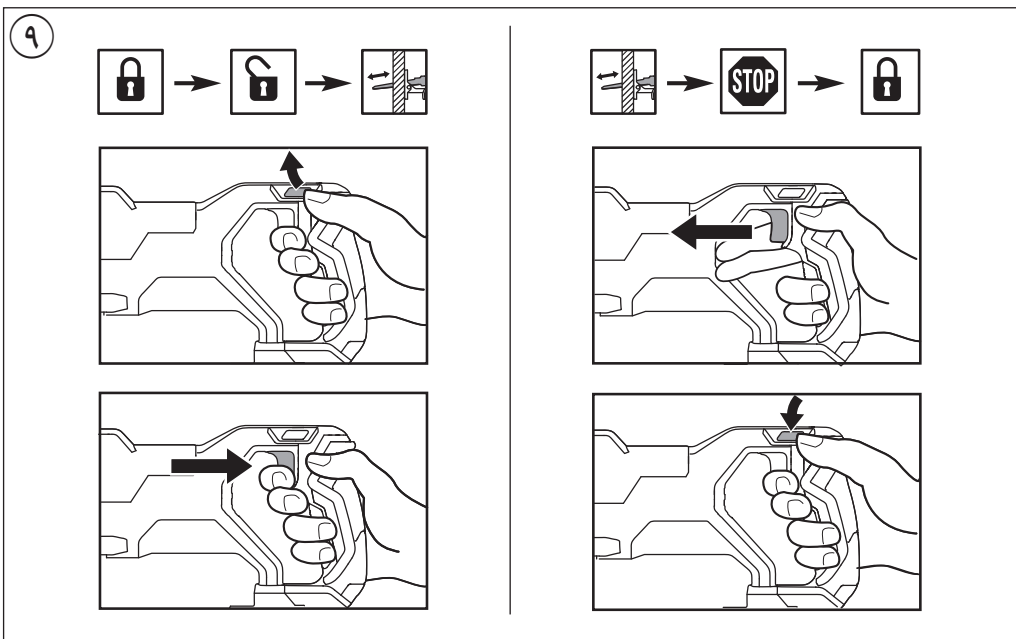
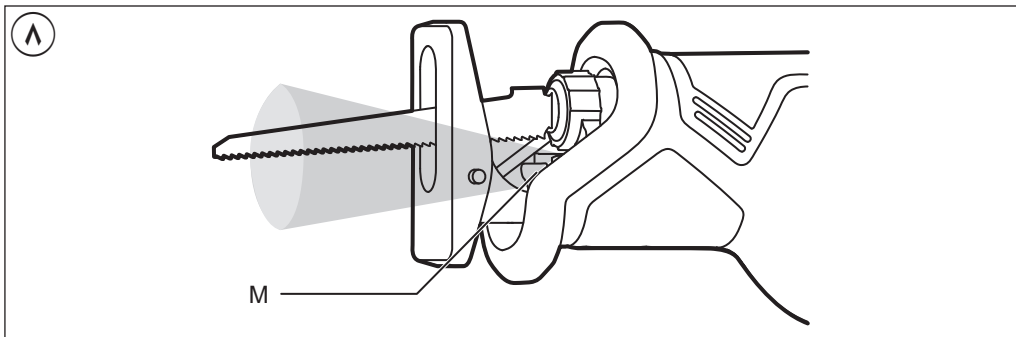
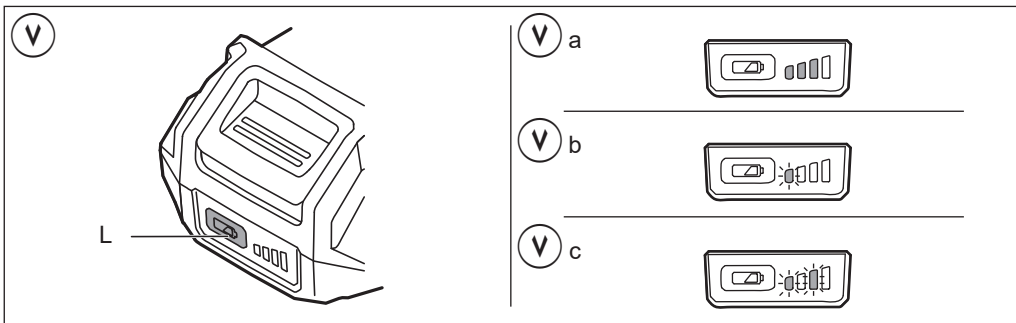


10



11





1

3480

20V Max  
18  
Volt

2,0 Ah  
2,5 Ah  
3,3 kg

4,0 Ah  
5,0 Ah  
3,6 kg

$n_0$   
0-3000  
/min

29  
mm

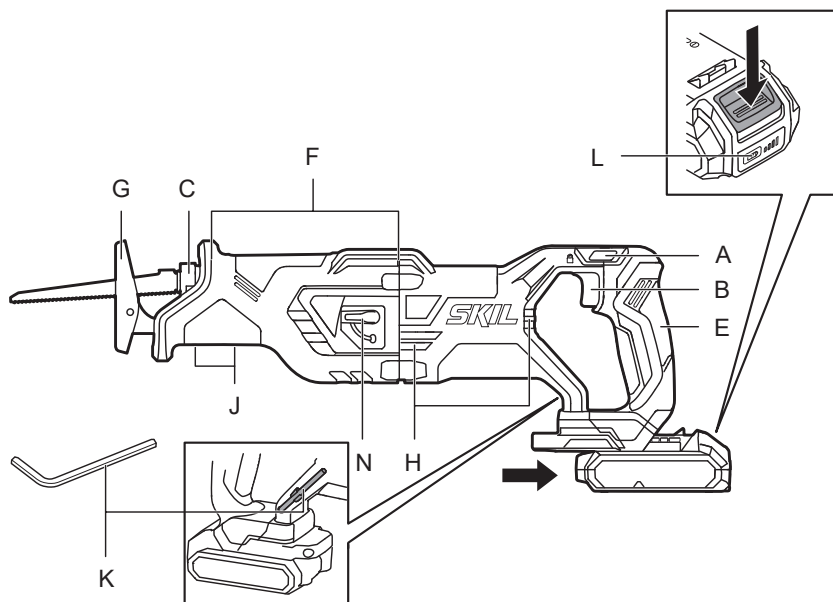
265 mm

Alu  
40 mm

Fe  
30 mm

Fe  
130 mm

2



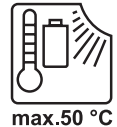
3



4



5



max.50 °C

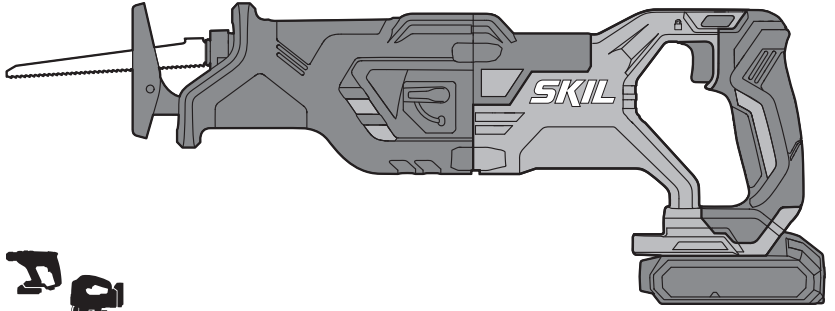
6



منشار ترددي بدون سلك وبدون فرشاة

3480

**SKIL®**



دليل الاستعمال

AR

راهنمای اصلي

FA

