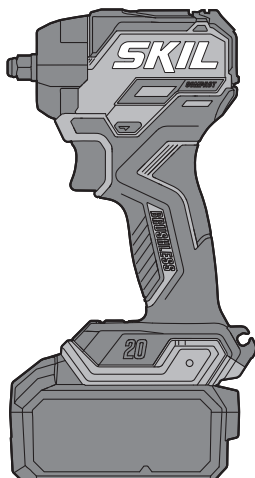


SKIL®

BRUSHLESS CORDLESS IMPACT WRENCH 3265 (SD1*3265**)



GB	ORIGINAL INSTRUCTIONS	7	UA	ОРИГІНАЛЬНА ІНСТРУКЦІЯ З ЕКСПЛУАТАЦІЇ	68
F	NOTICE ORIGINALE	10	GR	ΠΡΟΤΟΤΥΠΟ ΟΔΗΓΙΩΝ ΧΡΗΣΗΣ	72
D	ORIGINALBETRIEBSANLEITUNG	14	RO	INSTRUCȚIUNI DE FOLOSIRE ORIGINALE	76
NL	ORIGINELE GEBRUIKSAANWIJZING	18	BG	ОРИГИНАЛНО РЪКОВОДСТВО ЗА ЕКСПЛОАТАЦИЯ	80
S	BRUKSANVISNING I ORIGINAL	22	SK	PŮVODNÝ NÁVOD NA POUŽITIE	84
DK	ORIGINAL BRUGSANVISNING	26	HR	ORIGINALNE UPUTE ZA RAD	88
N	ORIGINAL BRUKSANVISNING	29	SRB	ORIGINALNO UPUTSTVO ZA RAD	92
FIN	ALKUPERÄISET OHJEET	32	SLO	IZVIRNA NAVODILA	95
E	MANUAL ORIGINAL	36	EST	ALGUPÄRANE KASUTUSJUHEND	99
P	MANUAL ORIGINAL	40	LV	ORIĢINĀLĀ LIETOŠANAS PAMĀCĪBA	102
I	ISTRUZIONI ORIGINALI	44	LT	ORIGINALI INSTRUKCIJA	106
H	EREDETI HASZNÁLATI UTASÍTÁS	48	MK	ИЗБОРНО УПАТСТВО ЗА РАБОТА	110
CZ	PŮVODNÍM NÁVODEM K POUŽÍVÁNÍ	52	AL	UDHËZIMET ORIGINALE	114
TR	ORİJİNAL İŞLETME TALİMATI	55	AR	دليل الاستعمال	124
PL	INSTRUKCJA ORYGINALNA	59	FA	راهنمای اصلی	122
RU	ПОДЛИННИК РУКОВОДСТВА ПО ЭКСПЛУАТАЦИИ	63			



ERC




www.skil.com



(GB)	EU Declaration of conformity Cordless impact wrench	Article number	We declare under our sole responsibility that the stated products comply with all applicable provisions of the directives and regulations listed below and are in conformity with the following standards. Technical file at: ★
(F)	Déclaration de conformité UE Clé à chocs sans fil Et sans balais	Numéro d'article	Nous déclarons sous notre propre responsabilité que les produits décrits sont en conformité avec les directives, règlements normatifs et normes énumérés ci-dessous. Dossier technique auprès de: ★
(D)	EU-Konformitätserklärung Bürstenloser akku- schlagsschrauber	Sachnummer	Wir erklären in alleiniger Verantwortung, dass die genannten Produkte allen einschlägigen Bestimmungen der nachfolgend aufgeführten Richtlinien und Verordnungen entsprechen und mit folgenden Normen übereinstimmen. Technische Unterlagen bei: ★
(NL)	EU-conformiteitsverklaring Borstelloze accu- slagmoersleutel	Productnummer	Wij verklaren op eigen verantwoordelijkheid dat de genoemde producten voldoen aan alle desbetreffende bepalingen van de hierna genoemde richtlijnen en verordeningen en overeenstemmen met de volgende normen. Technisch dossier bij: ★
(S)	EU-konformitetsförklaring Borstlös, sladdlös mutterdragare	Produktnummer	Vi förklarar under eget ansvar att de nämnda produkterna uppfyller kraven i alla gällande bestämmelser i de nedan angivna direktiven och förordningarnas och att de stämmer överens med följande normer. Teknisk dokumentation: ★
(DK)	EU-overensstemmelseserklæring Batteridrevet slagnøgle uden børster	Typenummer	Vi erklærer som eneansvarlige, at det beskrevne produkt er i overensstemmelse med alle gældende bestemmelser i følgende direktiver og forordninger og opfylder følgende standarder. Tekniske bilag ved: ★
(N)	EU-samsvarserklæring Børsteløs og trådløs slagnøkkel	Produktnummer	Vi erklærer under eneansvar at de nevnte produktene er i overensstemmelse med alle relevante bestemmelser i direktivene og forordningene nedenfor og med følgende standarder. Teknisk dokumentasjon hos: ★
(FIN)	EU-vaatimustenmukaisuusvakuutus Harjaton akkukäyttöinen iskuavain	Tuotenumero	Vakuutamme täten, että mainitut tuotteet vastaavat kaikkia seuraavien direktiivien ja asetusten asiaankuuluvia vaatimuksia ja ovat seuraavien standardien vaatimusten mukaisia. Tekniset asiakirjat saatavana: ★
(E)	Declaración de conformidad UE Llave de impacto inalámbrica sin escobillas	Número de artículo	Declaramos bajo nuestra exclusiva responsabilidad, que los productos nombrados cumplen con todas las disposiciones correspondientes de las directivas y los reglamentos mencionados a continuación y están en conformidad con las siguientes normas. Documentos técnicos de: ★
(P)	Declaração de conformidade CE Chave de impacto sem fios e sem escovas	Número do produto	Declaramos sob nossa exclusiva responsabilidade que os produtos mencionados cumprem todas as disposições e os regulamentos indicados e estão em conformidade com as seguintes normas. Documentação técnica pertencente à: ★
(I)	Dichiarazione di conformità UE Chiave a impulsi cordless brushless	Codice prodotto	Dichiariamo sotto la nostra piena responsabilità che i prodotti indicati sono conformi a tutte le disposizioni pertinenti delle direttive e dei regolamenti elencati di seguito, nonché alle seguenti normative. Documentazione tecnica presso: ★
(H)	EU konformitási nyilatkozat Szénkefe és vezeték nélküli ütvecsavarzó	Cikkszám	Egyedüli felelősséggel kijelentjük, hogy a megnevezett termékek megfelelnek az alábbiakban felsorolásra kerülő irányelvek és rendeletek valamennyi idevágó előírásainak és megfelelnek a következő szabványoknak. Műszaki dokumentumok megőrzési pontja: ★
(CZ)	EU prohlášení o shodě Bezkontaktní bezdrátový rázový utahovák	Objednáací číslo	Prohlašujeme na výhradní zodpovědnost, že uvedený výrobek splňuje všechna příslušná ustanovení níže uvedených směrnic a nařízení a je v souladu s následujícími normami. Technické podklady u: ★
(TR)	AB Uygunluk beyanı Fırçasız kablosuz darbeli somun anahtarı	Ürün kodu	Tek sorumlu olarak, tanımlanan ürünün aşağıdaki yönetmelik ve direktiflerin geçerli bütün hükümlerine ve aşağıdaki standartlara uygun olduğunu beyan ederiz. Teknik belgelerin bulunduğu yer: ★
(PL)	Deklaracja zgodności UE Bezszcotkowy akumulatorowy klucz udarowy	Numer katalogowy	Oświadczamy z pełną odpowiedzialnością, że niniejsze produkty odpowiadają wszystkim wymaganiom poniżej wyszczególnionych dyrektyw i rozporządzeń, oraz że są zgodne z następującymi normami. Dokumentacja techniczna: ★
(RU)	Заявление о соответствии ЕС Бесщеточный аккумуляторный ударный гайковёрт	Товарный номер	Мы заявляем под нашу единоличную ответственность, что названные продукты соответствуют всем действующим предписаниям нижеуказанных директив и распоряжений, а также нижеуказанных норм. Техническая документация хранится у: ★
(UA)	Заява про відповідність ЄС Безщітковий бездротовий ударний гайковёрт	Товарний номер	Мизаявляємо під нашу одноособову відповідальність, що названі вироби відповідають усім чинним положенням нищезначених директив і розпоряджень, а також нищезначеним нормам. Технічна документація зберігається у: ★

GR	Δήλωση πιστότητας ΕΕ Επαναφορτιζόμενο παλμικό κλειδί χωρίς ψηκτρες Αριθμός ευρετηρίου	Δηλώνουμε με αποκλειστική μας ευθύνη, ότι τα αναφερόμενα προϊόντα αντιστοιχούν σε όλες τις σχετικές διατάξεις των πιο κάτω αναφερόμενων οδηγιών και κανονισμών και ταυτίζονται με τα ακόλουθα πρότυπα. Τεχνικά έγγραφα στη: *
RO	Declarație de conformitate UE Cheie cu impact fără perii și fără fir Număr de identificare	Declarăm pe proprie răspundere că produsele menționate corespund tuturor dispozițiilor relevante ale directivelor și regulamentărilor enumerate în cele ce urmează și sunt în conformitate cu următoarele standarde. Documentație tehnică la: *
BG	ЕС декларация за съответствие Безщетков акумулаторен ударен гайковерт Каталожен номер	С пълна отговорност ние декларираме, че посочените продукти отговарят на всички валидни изисквания на директивите и разпоредбите по-долу и съответства на следните стандарти. Техническа документация при: *
SK	EU vyhlásenie o zhode Akumulátorový rázový úťahováč Vecné číslo	Vyhlasujeme na výhradnú zodpovednosť, že uvedený výrobok spĺňa všetky príslušné ustanovenia nižšie uvedených smerníc a nariadení a je v súlade s nasledujúcimi normami. Technické podklady má spoločnosť: *
HR	EU izjava o skladnosti Akumulatorski udarni ključ bez četkica Kataloški broj	Pod punom odgovornošću izjavljujemo da navedeni proizvodi odgovaraju svim relevantnim odredbama direktiva i propisima navedenima u nastavku i da su skladni sa sledećim normama. Tehnička dokumentacija se može dobiti kod: *
SRB	EU-izjava o usaglašenosti Bežični udarni odvijač bez četkica Broj predmeta	Na sopstvenu odgovornost izjavljujemo, da navedeni proizvodi odgovaraju svim dotičnim odredbama naknadno navedenih smernica u uredaba i da su u skladu sa sledećim standardima. Tehnička dokumentacija kod: *
SLO	Izjava o skladnosti ES Brezkrtični akumulatorski udarni ključ Številka artikla	Izjavljamo pod izključno odgovornostjo, da je omenjen izdelek v skladu z vsemi relevantnimi določili direktiv in uredb ter ustreza naslednjim standardom. Tehnična dokumentacija pri: *
EST	EL-vastavusdeklaratsioon Harjadeta akulööktrell Tootenumber	Kinnitame ainuvastutajatena, et nimetatud tooted vastavad järgnevalt loetletud direktiivide ja määruste kõikidele asjaomastele nõuetele ja on kooskõlas järgmiste normidega. Tehnilised dokumendid saadaval: *
LV	Deklarācija par atbilstību EK standartiem Bezkontakta bezvadu trieciendarbības uzgriežņu atslēga Izstrādājuma numurs	Mēs ar pilnu atbildību paziņojam, ka šeit aplūkotie izstrādājumi atbilst visiem tālāk minētajās direktīvās un rīkojumos ietvertajām saistošajām nostādņēm, kā arī sekojošiem standartiem. Tehniskā dokumentācija no: *
LT	ES atitikties deklaracija Akumuliatorinis smūginis suktuvas su bešepečiu varikliu Gaminio numeris	Atsakingai pareiškiame, kad išvardyti gaminiai atitinka visus privalomus žemiau nurodytų direktyvų ir reglamentų reikalavimus ir šiuos standartus. Techninė dokumentacija saugoma: *
MK	EU-Изјава за сообразност Акумулаторски ударен одртурувач без четни Број на артикл	Со целосна одговорност изјавуваме, дека опишаните производи се во согласност со сите релевантни одредби на следните регулативи и прописи и се во согласност со следните норми. Техничка документација нај: *
AL	EU Deklarata e konformitetit Trapan impakti me bateri dhe motor pa karbonçina Numri i nenit	Ne deklarimë me përgjegjësinë tonë të vetme se produktet e paraqitura janë në përputhje me të gjitha dispozitat e zbatueshme të direktivave dhe rregulloreve të listuara më poshtë dhe janë në përputhje me standardet si më poshtë. Dosja teknike në: *

3265	SD1*3265**	2006/42/EC	EN 62841-1:2015
		2014/30/EU	EN 62841-2-2:2014
		2011/65/EU	EN 55014-1:2021 EN 55014-2:2021
			EN 63000:2018
		SKIL *	Skil BV Rithmeesterpark 22 A1 4838 GZ Breda The Netherlands
		Olaf Dijkgraaf Approval Manager	
			Skil BV, Rithmeesterpark 22 A1, 4838 GZ Breda, NL 12.05.2022

1

3265


20V Max
18
Volt

2,0 Ah
2,5 Ah

1,3 kg

4,0 Ah
5,0 Ah

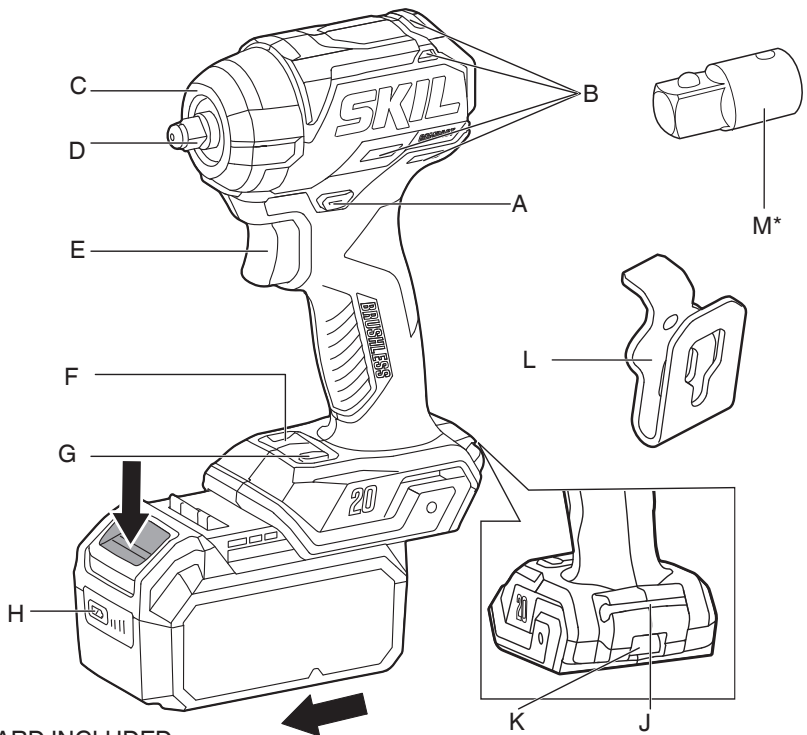
1,6 kg


n₀
0-1500/2250/
2850 /min


0-2100/3400/
3950 p/min


3/8" square
drive

2



* NOT STANDARD INCLUDED

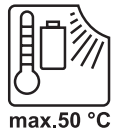
3



4

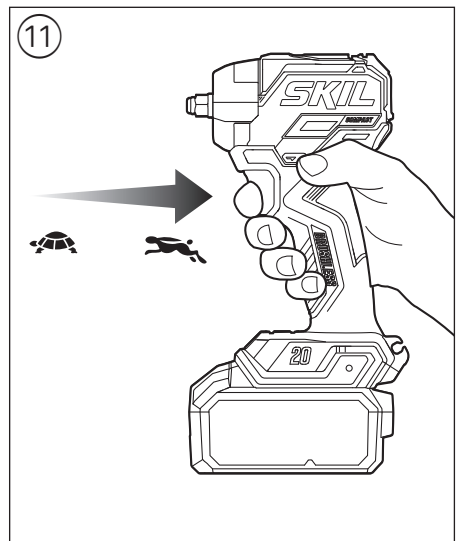
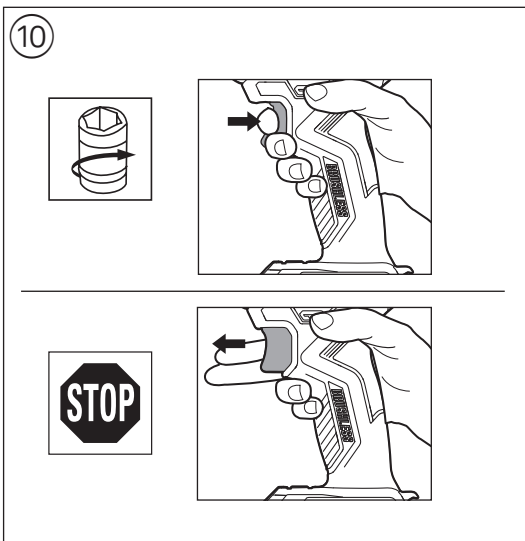
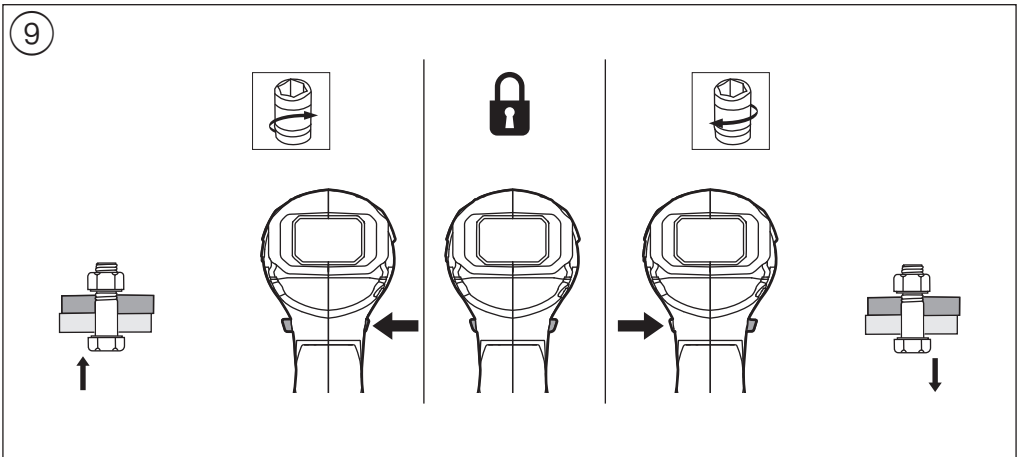
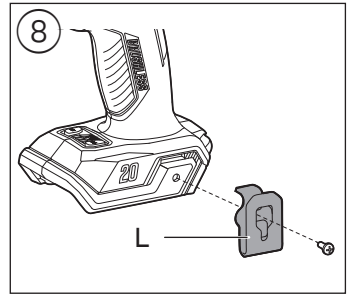
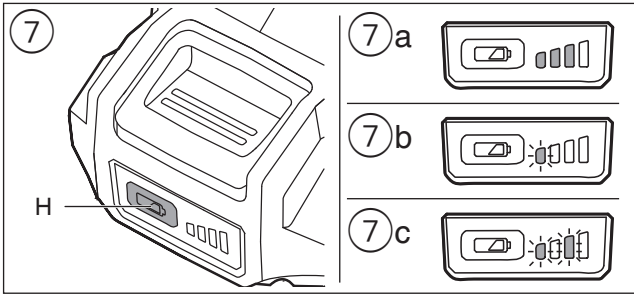


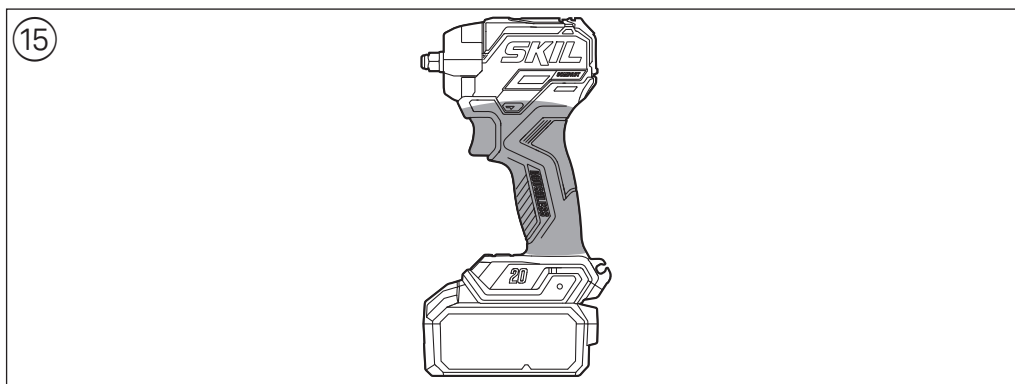
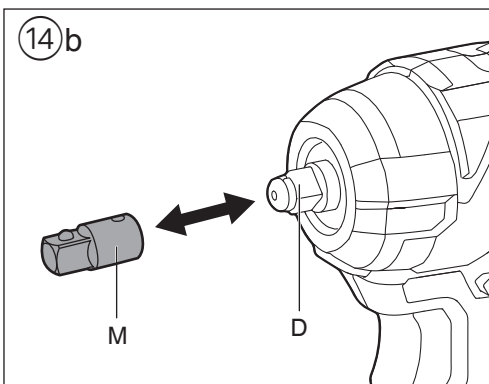
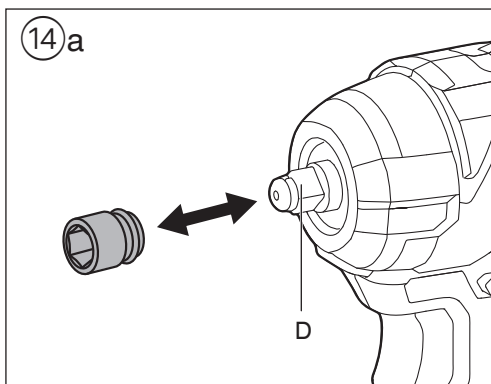
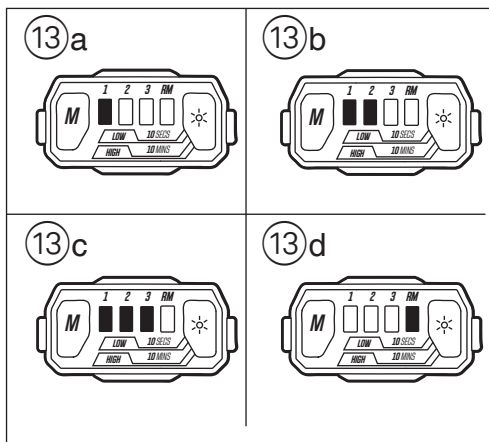
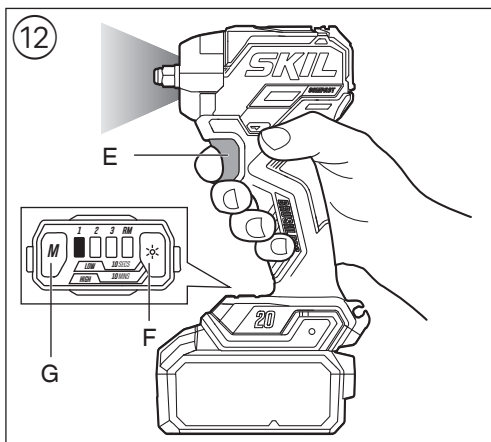
5



6







ACCESSORIES



WWW.SKIL.COM

Brushless cordless Impact wrench

3265

INTRODUCTION

- This tool is intended for driving in and loosening screws and bolts
- This tool is not intended for professional use
- When parts are missing or damaged, please contact your dealer
- **Read this instruction manual carefully before use and save it for future reference** ③
- **Pay special attention to the safety instructions and warnings; failure to follow these may result in serious injury**

TECHNICAL DATA ①

Max. torque for hard screwdriving application according to ISO 5393: 250Nm

TOOL ELEMENTS ②

- A Direction-of-Rotation (forward/center-lock/reverse) Selector
- B Ventilation slots
- C LED-light
- D Square drive
- E Switch for on/off and speed control
- F LED-light button
- G Mode button
- H Battery level indicator button
- J Bit storage area
- K Strap fixing area
- L Belt clip
- M Adapter*

*NOT STANDARD INCLUDED

SAFETY

GENERAL POWER TOOL SAFETY WARNINGS

⚠ WARNING Read all safety warnings, instructions, illustrations and specifications provided with this power tool. Failure to follow all instructions listed below may result in electric shock, fire and/or serious injury.

Save all warnings and instructions for future reference.

The term "power tool" in the warnings refers to your mains-operated (corded) power tool or battery-operated (cordless) power tool.

1) WORK AREA SAFETY

- a) **Keep work area clean and well lit.** Cluttered or dark areas invite accidents.
- b) **Do not operate power tools in explosive atmospheres, such as in the presence of flammable liquids, gases or dust.** Power tools create sparks which may ignite the dust or fumes.
- c) **Keep children and bystanders away while operating**

a power tool. Distractions can cause you to lose control.

2) ELECTRICAL SAFETY

- a) **Power tool plugs must match the outlet. Never modify the plug in any way. Do not use any adapter plugs with earthed (grounded) power tools.** Unmodified plugs and matching outlets will reduce risk of electric shock.
 - b) **Avoid body contact with earthed or grounded surfaces, such as pipes, radiators, ranges and refrigerators.** There is an increased risk of electric shock if your body is earthed or grounded.
 - c) **Do not expose power tools to rain or wet conditions.** Water entering a power tool will increase the risk of electric shock.
 - d) **Do not abuse the cord. Never use the cord for carrying, pulling or unplugging the power tool. Keep cord away from heat, oil, sharp edges or moving parts.** Damaged or entangled cords increased the risk of electric shock.
 - e) **When operating a power tool outdoors, use an extension cord suitable for outdoor use.** Use of a cord suitable for outdoor use reduces the risk of electric shock.
 - f) **If operating a power tool in a damp location is unavoidable, use a residual current device (RCD) protected supply.** Use of an RCD reduces the risk of electric shock.

3) PERSONAL SAFETY

- a) **Stay alert, watch what you are doing and use common sense when operating a power tool. Do not use a power tool while you are tired or under the influence of drugs, alcohol or medication.** A moment of inattention while operating power tools may result in serious personal injury.
 - b) **Use personal protective equipment. Always wear eye protection.** Protective equipment such as dust mask, non-skid safety shoes, hard hat or hearing protection used for appropriate conditions will reduce personal injuries.
 - c) **Prevent unintentional starting. Ensure the switch is in the off-position before connecting to power source and/or battery pack, picking up or carrying the tool.** Carrying power tools with your finger on the switch or energizing power tools that have the switch on invites accidents.
 - d) **Remove any adjusting key or wrench before turning the power tool on.** A wrench or a key left attached to a rotating part of the power tool may result in personal injury.
 - e) **Do not overreach. Keep proper footing and balance at all times.** This enables better control of the power tool in unexpected situations.
 - f) **Dress properly. Do not wear loose clothing or jewelry. Keep your hair and clothing away from moving parts.** Loose clothes, jewelry or long hair can be caught in moving parts.
 - g) **If devices are provided for the connection of dust extraction and collection facilities, ensure these are connected and properly used.** Use of dust collection can reduce dust-related hazards.
 - h) **Do not let familiarity gained from frequent use of tools allow you to become complacent and ignore tool safety principles.** A careless action can cause

severe injury within a fraction of a second.

4) POWER TOOL USE AND CARE

- a) **Do not force the power tool. Use the correct power tool for your application.** The correct power tool will do the job better and safer at the rate for which it was designed.
- b) **Do not use the power tool if the switch does not turn it on and off.** Any power tool that cannot be controlled with the switch is dangerous and must be repaired.
- c) **Disconnect the plug from the power source and/or remove the battery pack, if detachable, from the power tool before making any adjustments, changing accessories, or storing power tools.** Such preventive safety measures reduce the risk of starting the power tool accidentally.
- d) **Store idle power tools out of the reach of children and do not allow persons unfamiliar with the power tool or these instructions to operate the power tool.** Power tools are dangerous in the hands of untrained users.
- e) **Maintain power tools and accessories. Check for misalignment or binding of moving parts, breakage of parts and any other condition that may affect the power tool's operation. If damaged, have the power tool repaired before use.** Many accidents are caused by poorly maintained power tools.
- f) **Keep cutting tools sharp and clean.** Properly maintained cutting tools with sharp cutting edges are less likely to bind and are easier to control.
- g) **Use the power tool, accessories and tool bits etc. in accordance with these instructions, taking into account the working conditions and the work to be performed.** Use of the power tool for operations different from those intended could result in a hazardous situation.

- h) **Keep handles and grasping surfaces dry, clean and free from oil and grease.** Slippery handles and grasping surfaces do not allow for safe handling and control of the tool in unexpected situations.

5) BATTERY TOOL USE AND CARE

- a) **Recharge only with the charger specified by the manufacturer.** A charger that is suitable for one type of battery pack may create a risk of fire when used with another battery pack.
- b) **Use power tools only with specifically designated battery packs.** Use of any other battery packs may create a risk of injury and fire.
- c) **When battery pack is not in use, keep it away from other metal objects, like paper clips, coins, keys, nails, screws or other small metal objects, that can make a connection from one terminal to another.** Shorting the battery terminals together may cause burns or a fire.
- d) **Under abusive conditions, liquid may be ejected from the battery; avoid contact. If contact accidentally occurs, flush with water. If liquid contacts eyes, additionally seek medical help.** Liquid ejected from the battery may cause irritation or burns.
- e) **Do not use a battery pack or tool that is damaged or modified.** Damaged or modified batteries may exhibit unpredictable behavior resulting in fire, explosion or risk of injury.
- f) **Do not expose a battery pack or tool to fire or excessive temperature.** Exposure to fire or temperature

above 130°C may cause explosion.

- g) **Follow all charging instructions and do not charge the battery pack or tool outside the temperature range specified in the instructions.** Charging improperly or at temperatures outside the specified range may damage the battery and increase the risk of fire.
- #### 6) SERVICE
- a) **Have your power tool serviced by a qualified repair person using only identical replacement parts.** This will ensure that the safety of the power tool is maintained.
 - b) **Never service damaged battery packs.** Service of battery packs should only be performed by the manufacturer or authorized service providers.

SAFETY INSTRUCTIONS FOR CORDLESS IMPACT WRENCH

- **Hold the power tool by insulated gripping surfaces, when performing an operation where the fastener may contact hidden wiring** (fastener contacting a "live" wire may make exposed metal parts of the power tool "live" and could give the operator an electric shock)

GENERAL

- Dust from material such as paint containing lead, some wood species, minerals and metal may be harmful (contact with or inhalation of the dust may cause allergic reactions and/or respiratory diseases to the operator or bystanders); **wear a dust mask and work with a dust extraction device when connectable**
- Certain kinds of dust are classified as carcinogenic (such as oak and beech dust) especially in conjunction with additives for wood conditioning; **wear a dust mask and work with a dust extraction device when connectable**
- Follow the dust-related national requirements for the materials you want to work with
- Do not work materials containing asbestos (asbestos is considered carcinogenic)
- Ensure that direction-of-rotation selector A ② is in the middle (locking) position before making any adjustments or changing accessories as well as when carrying or storing the tool

ACCESSORIES

- SKIL can assure flawless functioning of the tool only when original accessories are use
- Use only accessories with an allowable speed matching at least the highest no-load speed of the tool

BEFORE USE

- Avoid damage that can be caused by screws, nails and other elements in your workpiece; remove them before you start working
- **Secure the workpiece** (a workpiece clamped with clamping devices or in a vice is held more securely than by hand)
- **Use suitable detectors to find hidden utility lines or call the local utility company for assistance** (contact with electric lines can lead to fire or electrical shock; damaging a gas line can result in an explosion; penetrating a water pipe will cause property damage or an electrical shock)

BATTERIES

- **The battery supplied is partially charged** (to ensure full capacity of the battery, completely charge the battery in the battery charger before using your power tool for the first time).

- **Only use the following batteries and chargers with this tool**
 - SKIL battery: BR1*31****
 - SKIL charger: CR1*31****
- Do not use the battery when damaged; it should be replaced immediately
- Do not disassemble the battery
- Do not expose tool/battery to rain
- Permitted ambient temperature (tool/charger/battery):
 - when charging 4...40°C
 - during operation -20...+50°C
 - during storage -20...+50°C

EXPLANATION OF SYMBOLS ON TOOL/BATTERY

- ③ Read the instruction manual before use
- ④ Batteries may explode when disposed of in fire, so do not burn battery for any reason
- ⑤ Store tool/charger/battery in locations where temperature will not exceed 50°C
- ⑥ Do not dispose of electric tools and batteries together with household waste material

USE

- Charging battery
 - ! read the safety warnings and instructions provided with the charger
- Removing/installing the battery ②
- Battery level indicator ⑦
 - press the battery level indicator button H to show the current battery level ⑦a
 - ! when the lowest level of the battery indicator starts flashing after pressing button H ⑦b, the battery is empty
 - ! when 2 levels of the battery indicator start flashing after pressing button H ⑦c, the battery is not within the allowable operating temperature range
- Battery protection

The tool is suddenly being switched off or prevented from being switched on, when

 - the load is too high --> remove load and restart
 - the battery temperature is not within the allowable operating temperature range of -20 to +50°C --> 2 levels of the battery level indicator start flashing when pressing button H ⑦c; wait until battery has returned within the allowable operating temperature range
 - the battery is nearly empty (to protect against deep discharge) --> a low battery level or flashing low battery level ⑦b is shown by the battery level indicator when pressing button H; charge battery
 - ! do not continue to press the on/off switch after the tool is switched off automatically; battery may be damaged
- Attaching belt clip ⑧
 - attach the belt clip L to the wrench with the supplied screw
- Changing direction of rotation ⑨
 - when not properly set in left/right position, switch E ② cannot be activated
 - ! change direction of rotation only when tool is at a complete standstill
- Combined switch for on/off ⑩ and speed control ⑪
 - control the speed steplessly from zero to maximum by putting less or more pressure on the E ②
- LED-light ⑫

- LED-light turns on when activating on/off switch E, or pressing either LED-light button F or mode button G
- Press LED-light button to select desired brightness:
 - Low brightness** – turns off approx. 10s after on/off switch is released
 - High brightness** – turns off approx. 600s after on/off switch is released
- ! When LED-light starts flashing rapidly, the battery protection is activated (see above)
- Mode selection ⑬
 - press the mode button G to select the desired mode:
 - Low speed mode (light “1” shines green) ⑬a**
 - tightening with less torque and low speed
 - for small bolts and screws
 - Medium speed mode (lights “1&2” shine green) ⑬b**
 - tighten with medium torque and speed
 - for the screws in medium-duty application
 - High speed mode (lights “1&2&3” shine green) ⑬c**
 - tightening with high force and speed
 - for large screws and bolts
 - Reverse control mode (light “RM” shines green) ⑬d**
 - for loosening bolts and nuts
 - stops when the bolt or nut is loosened
 - ! control mode is only available with reverse rotation; in forward rotation it is used for high speed
 - ! modes can only be changed when green LED(s) are activated and when the tool is at a complete standstill
- Installing and removing sockets ⑭
 - to install a socket, simply push it onto to square drive D
 - to remove a socket, simply pull it off square drive D
 - ! only use sockets with a 3/8” square drive ⑭a
 - ! use adapter M for sockets with a 1/2” square drive ⑭b
 - ! do not use damaged sockets
- Holding and guiding the tool ⑮
 - ! while working, always hold the tool at the grey-coloured grip area(s)
 - keep ventilation slots B ② uncovered
 - do not apply too much pressure on the tool; let the tool do the work for you

APPLICATION ADVICE

- Use the appropriate bits
- When turning in a screw at/near the cross cut end or an edge of wood, pre-drill a hole in order to avoid cracking of the wood
- For an optimal use of the tool a steady pressure on the screw is required, especially while removing
- When screwdriving in hard wood one should pre-drill a hole
- For more information see www.skil.com


MAINTENANCE/SERVICE

- This tool is not intended for professional use
- Always keep tool clean (especially ventilation slots B ②)
- ! Remove battery from tool before cleaning
- If the tool should fail despite the care taken in manufacturing and testing procedures, repair should be carried out by an after-sales service centre for SKIL power tools
 - send the tool **undismantled** together with proof of

purchase to your dealer or the nearest SKIL service station (addresses as well as the service diagram of the tool are listed on www.skil.com)

- Be aware that damage due to overload or improper handling of the tool will be excluded from the warranty (for the SKIL warranty conditions see www.skil.com or ask your dealer)

ENVIRONMENT

- **Do not dispose of electric tools, batteries, accessories and packaging together with household waste material** (only for EU countries)
 - in observance of European Directive 2012/19/EC on waste of electric and electronic equipment and its implementation in accordance with national law, electric tools that have reached the end of their life must be collected separately and returned to an environmentally compatible recycling facility
 - symbol  will remind you of this when the need for disposing occurs
- ! **prior to disposal protect battery terminals with heavy tape to prevent short-circuit**

NOISE / VIBRATION


- Measured in accordance with EN62841 the sound pressure level of this tool is 88 dB(A) and the sound power level 99 dB(A) (uncertainty K = 3 dB), and the vibration 9.1 m/s² (triax vector sum; uncertainty K = 1.5 m/s²)
- The vibration emission level has been measured in accordance with a standardized test given in EN62841; it may be used to compare one tool with another and as a preliminary assessment of exposure to vibration when using the tool for the applications mentioned
 - using the tool for different applications, or with different or poorly maintained accessories, may significantly **increase** the exposure level
 - the times when the tool is switched off or when it is running but not actually doing the job, may significantly **reduce** the exposure level
- ! **protect yourself against the effects of vibration by maintaining the tool and its accessories, keeping your hands warm, and organizing your work patterns**

F

Clé à chocs sans fil et sans balais

3265

INTRODUCTION

- Cet outil est conçu pour serrer et déserrer des vis et des boulons
- Cet outil n'est pas conçu pour un usage professionnel
- Lorsque des pièces manquent ou sont endommagées, veuillez contacter votre distributeur
- **Lisez attentivement ce manuel d'instruction avant d'utiliser l'appareil et conservez-le pour pouvoir vous y référer ultérieurement** 
- **Prêtez particulièrement attention aux consignes de sécurité et aux avertissements ; sinon, vous risquez**

de subir des blessures graves

DONNÉES TECHNIQUES


Couple max. pour vissage dans des matériaux durs selon ISO 5393 : 250Nm

PIÈCES DE L'OUTIL

- A Sélecteur de sens de rotation (avant/verrouillage central/inverse)
 - B Fentes de ventilation
 - C Voyant DEL
 - D Carré mâle
 - E Interrupteur de marche/arrêt et réglage de vitesse
 - F Interrupteur d'éclairage LED
 - G Bouton Mode
 - H Bouton indicateur de niveau de batterie
 - J Zone de stockage des bits
 - K Zone de fixation de la sangle
 - L Clip de ceinture
 - M Adaptateur*
- * NON FOURNI EN STANDARD

SÉCURITÉ

CONSIGNES DE SÉCURITÉ GÉNÉRALES POUR L'OUTIL ÉLECTRIQUE

 **AVERTISSEMENT Lisez toutes les consignes de sécurité, les instructions, les illustrations et les spécifications de sécurité fournies avec cet outil électrique.** Le non-respect des consignes figurant ci-dessous peut provoquer un choc électrique, un incendie et/ou des blessures graves.

Conservez tous les avertissements et instructions pour pouvoir vous y référer ultérieurement.

Le terme « outil électrique » utilisé dans les consignes de sécurité désigne votre outil électrique fonctionnant sur le secteur (filaire) ou sur batterie (sans fil).

1) SÉCURITÉ DE L'AIRE DE TRAVAIL

- a) **Maintenez l'aire de travail propre et bien éclairée.**
Les endroits sombres ou désordonnés augmentent les risques d'accident.
- b) **N'utilisez pas les outils électriques dans des atmosphères explosives, par exemple en présence de liquides, gaz ou poussières inflammables.** Les outils électriques génèrent des étincelles pouvant enflammer les poussières et les vapeurs.
- c) **Veillez à ce que les enfants et les autres personnes restent éloignés pendant l'utilisation d'un outil électrique.** Un moment d'inattention peut vous faire perdre le contrôle de l'outil.

2) SÉCURITÉ ÉLECTRIQUE

- a) **La fiche de l'outil électrique doit correspondre à la prise électrique. Ne modifiez jamais la prise de quelque manière que ce soit. N'utilisez jamais d'adaptateur de prise avec les outils électriques pourvus d'une mise à la terre ou à la masse.**
Les fiches non modifiées et les prises électriques appropriées réduisent le risque de choc électrique.

- b) **Évitez tout contact physique avec des surfaces mises à la terre ou mises à la masse, telles que tuyaux, radiateurs, fours et réfrigérateurs.** Il y a un risque accru de choc électrique si votre corps est relié à la terre ou à la masse, directement ou indirectement.
- c) **N'exposez pas les outils électriques à la pluie ou à un environnement mouillé.** Si de l'eau pénètre dans un outil électrique, cela accroît le risque de choc électrique.
- d) **Prenez soin du câble d'alimentation. N'utilisez jamais le câble d'alimentation pour porter, tirer ou débrancher l'outil électrique. Veillez à ce que le câble d'alimentation n'entre jamais en contact avec de l'huile, des pièces mobiles, des arêtes tranchantes, et ne soit jamais exposé à de la chaleur.** Les câbles d'alimentation endommagés ou emmêlés augmentent le risque de choc électrique.
- e) **Quand vous utilisez un outil électrique en extérieur, utilisez une rallonge électrique adaptée à un usage en extérieur.** L'utilisation d'une rallonge conçue pour un usage en extérieur permet de réduire le risque de choc électrique.
- f) **Si vous êtes obligé d'utiliser un outil électrique dans un endroit humide, utilisez une alimentation protégée par un dispositif différentiel à courant résiduel (DDR).** L'utilisation d'un DDR réduit le risque de choc électrique.

3) SÉCURITÉ DES PERSONNES

- a) **Restez vigilant, soyez attentif à ce que vous faites et faites preuve de bon sens lors de l'utilisation d'un outil électrique. N'utilisez pas un outil électrique quand vous êtes fatigué ou sous l'emprise de l'alcool, de stupéfiants ou de médicaments.** Un moment d'inattention pendant l'utilisation des outils électriques peut provoquer des blessures corporelles graves.
 - b) **Utilisez des équipements de protection individuelle. Portez toujours une protection oculaire.** L'utilisation d'équipements de protection appropriés aux conditions de travail, tels que masque anti-poussières, chaussures de sécurité antidérapantes, casque et protections auditives, permet de réduire les risques de blessures corporelles.
 - c) **Évitez les démarrages accidentels. Vérifiez que l'interrupteur marche/arrêt est dans la position arrêt avant de brancher l'outil dans une prise électrique et/ou une batterie, de le saisir ou de le transporter.** Porter les outils électriques avec le doigt sur leur interrupteur ou les brancher dans une alimentation électrique alors que leur interrupteur est dans la position marche augmente le risque d'accident.
 - d) **Retirez toutes les clés de réglage et de serrage avant de mettre l'outil électrique en marche.** Une clé de réglage ou de serrage laissée sur une pièce rotative de l'outil électrique peut provoquer des blessures corporelles.
 - e) **N'essayez pas de travailler des endroits difficiles à atteindre. Conservez en permanence des appuis des pieds solides et un bon équilibre.** Cela permet un meilleur contrôle de l'outil électrique en cas de situations inattendues.
 - f) **Portez une tenue adaptée. Ne portez pas de vêtement ample ni de bijou. Maintenez vos cheveux et vos vêtements éloignés des pièces mobiles.**
- Les vêtements amples, les bijoux et les cheveux longs peuvent se prendre dans les pièces mobiles.
- g) **Si un outil est conçu pour être utilisé avec des dispositifs d'extraction et de récupération des poussières, veillez à ce que ces dispositifs soient raccordés et correctement utilisés.** L'utilisation de dispositifs de récupération des poussières permet de réduire les risques liés aux poussières.
 - h) **Veillez à ne pas devenir trop sûr de vous et ne cessez pas de respecter les principes de sécurité même si vous vous sentez familiarisé à l'utilisation de l'outil.** La négligence peut provoquer des blessures graves en une fraction de seconde.
- ### 4) UTILISATION ET ENTRETIEN DE L'OUTIL ÉLECTRIQUE
- a) **Ne forcez pas l'outil électrique. Utilisez l'outil électrique qui convient au travail que vous voulez effectuer.** L'utilisation d'un outil qui convient au travail à effectuer permet de réaliser ce travail plus efficacement, avec une sécurité accrue et au rythme pour lequel l'outil a été conçu.
 - b) **N'utilisez pas l'outil électrique si son interrupteur marche/arrêt ne permet pas de l'allumer et de l'éteindre.** Tout outil électrique qui ne peut pas être contrôlé par son interrupteur marche/arrêt est dangereux et doit être réparé.
 - c) **Débranchez le câble de l'alimentation électrique et/ou retirez la batterie, si amovible, de l'outil électrique avant tout réglage ou changement d'accessoire, et avant de ranger l'outil électrique.** Cette mesure de sécurité préventive réduit le risque de démarrage accidentel de l'outil électrique.
 - d) **Rangez les outils électriques non utilisés hors de portée des enfants. N'autorisez pas les personnes non familiarisées avec l'outil électrique ou ce manuel d'utilisation à l'utiliser.** Les outils électriques sont dangereux dans les mains de personnes inexpérimentées.
 - e) **Entretenez les outils électriques et les accessoires. Inspectez-les pour vérifier qu'aucune pièce mobile n'est grippée ou mal alignée, qu'aucune pièce n'est cassée, et pour tout autre problème qui pourrait affecter leur fonctionnement. Si un outil électrique est endommagé, il doit être réparé avant d'être réutilisé.** Beaucoup d'accidents sont dus à des outils électriques mal entretenus.
 - f) **Veillez à ce que les accessoires de coupe restent affûtés et propres.** Des accessoires de coupe bien entretenus et bien affûtés risquent moins de se coincer et sont plus faciles à contrôler.
 - g) **Utilisez l'outil électrique, ses accessoires, mèches/embouts et toutes les autres pièces conformément aux présentes instructions, en prenant en compte les conditions d'utilisation et le travail à effectuer.** Utiliser l'outil électrique à d'autres finalités que celles pour lesquelles il a été conçu peut engendrer des situations dangereuses.
 - h) **Maintenez les poignées et surfaces de préhension propres, sèches et exemptes d'huile et de graisse.** Les poignées et surfaces de préhension glissantes ne permettent pas de tenir et de contrôler l'outil de manière sûre en cas de situations inattendues.
- ### 5) UTILISATION ET ENTRETIEN DE L'OUTIL SUR

BATTERIE

- a) **Rechargez la batterie exclusivement avec le chargeur spécifié par le fabricant.** Un chargeur adapté à un type de batterie en particulier peut présenter un risque d'incendie s'il est utilisé avec une batterie différente.
 - b) **Utilisez les outils électriques exclusivement avec les batteries spécifiées.** L'utilisation de toute autre batterie peut engendrer un risque de blessures et d'incendie.
 - c) **Lorsque la batterie n'est pas utilisée, elle doit être rangée à l'écart de tout objet métallique, tel que les trombones, pièces de monnaie, clés, clous, vis et tous les autres petits objets métalliques pouvant mettre en contact ses bornes.** Mettre en court-circuit les bornes de la batterie peut provoquer des brûlures et un incendie.
 - d) **En cas d'usage abusif, du liquide peut s'échapper de la batterie. Évitez tout contact avec ce liquide. En cas de contact accidentel, rincez à grande eau. En cas de contact avec les yeux, vous devez en outre consulter un médecin.** Le liquide qui s'échappe des batteries peut provoquer des irritations et des brûlures.
 - e) **N'utilisez pas une batterie ou un outil endommagé ou modifié.** Les batteries modifiées ou endommagées peuvent avoir un comportement imprévisible susceptible de provoquer un incendie, une explosion ou un risque de blessure.
 - f) **N'exposez pas la batterie ou l'outil à des flammes ou à une température excessive.** L'exposition au feu ou à des températures supérieures à 130 °C peut provoquer une explosion.
 - g) **Respectez toutes les instructions de recharge et ne rechargez pas la batterie ou l'outil hors de la plage de température spécifiée dans les instructions.** La recharge incorrecte ou à des températures hors de la plage spécifiée peut endommager la batterie et accroître le risque d'incendie.
- 6) **RÉPARATION**
 - a) **Faites réparer votre outil électrique par un réparateur qualifié qui ne doit utiliser que des pièces de rechange identiques.** Ceci permet de garantir la sûreté de l'outil électrique.
 - b) **Ne réparez jamais les batteries endommagées.** La réparation des batteries doit toujours être effectuée par le fabricant ou des réparateurs agréés.

CONSIGNES DE SÉCURITÉ POUR CLÉ À CHOCS SANS FIL

- **Tenez l'outil par les surfaces de préhension isolées lors d'une opération au cours de laquelle la vis peut entrer en contact avec un câblage non apparent** (le contact avec un fil sous tension peut mettre sous tension les parties métalliques de l'outil électrique et entraîner l'électrocution de l'opérateur)

GENERALITES

- La poussière de matériaux, tels que la peinture contenant du plomb, certaines espèces de bois, certains minéraux et métaux, peut être nocive (le contact avec la poussière ou son inhalation peut provoquer des réactions allergiques et/ou des maladies respiratoires chez l'opérateur ou les personnes à proximité); **portez un masque antipoussières et travaillez si possible avec**

un dispositif d'extraction des poussières

- Certains types de poussières sont classées comme étant cancérigènes (tels que la poussière de chêne ou de hêtre), en particulier en combinaison avec des additifs de traitement du bois; **portez un masque antipoussières et travaillez si possible avec un dispositif d'extraction des poussières**
- Suivez les directives nationales relatives au dépolluissage pour les matériaux à travailler
- Ne travaillez pas avec des matériaux contenant de l'amiante (l'amiante est considéré cancérigène)
- Vérifiez que le sélecteur du sens de rotation O2 est sur la position du milieu (de blocage) avant d'effectuer des réglages sur l'outil ou de changer des accessoires, ou de transporter ou ranger l'outil

ACCESSOIRES

- SKIL ne peut se porter garant du bon fonctionnement de cet outil que s'il est utilisé avec les accessoires d'origine.
- La vitesse admissible des accessoires utilisés doit être au moins aussi élevée que la vitesse à vide maximale de l'outil

AVANT L'USAGE

- Faites attention aux vis, clous ou autres éléments qui pourraient se trouver dans la pièce à travailler et qui risqueraient d'endommager très fortement votre outil; enlevez-les avant de commencer le travail
- **Fixez solidement la pièce** (une pièce fixée à l'aide de dispositifs de fixation ou d'un étau est mieux maintenue qu'à la main)
- **Utilisez des détecteurs appropriés afin de localiser les conduites dissimulées ou bien adressez-vous à votre fournisseur local** (un contact avec des lignes électriques peut provoquer un incendie ou une décharge électrique; endommager une conduite de gaz peut entraîner une explosion; endommager une conduite d'eau peut entraîner des dégâts matériels ou une décharge électrique)

BATTERIE

- **La batterie fournie est partiellement chargée** (pour garantir la capacité totale de la batterie, chargez-la intégralement dans le chargeur de batterie avant d'utiliser l'outil électrique pour la première fois).
- **Utilisez uniquement les batteries et les chargeurs suivants avec l'outil**
 - Batterie SKIL : BR1*31****
 - Chargeur SKIL : CR1*31****
- N'utilisez pas la batterie lorsque celle-ci est endommagée; remplacez-la immédiatement
- Ne démontez pas la batterie
- N'exposez jamais l'outil/la batterie à la pluie
- Plage de températures autorisées (outil/chargeur/batterie):
 - pendant la charge 4...40°C
 - pendant le fonctionnement -20...+50°C
 - pour le stockage -20...+50°C

EXPLICATION DES SYMBOLES SUR L'OUTIL/LA BATTERIE

- ③ Veuillez lire le mode d'emploi avant d'utiliser l'outil
- ④ La batterie explosera si elle est jetée au feu - ne la brûlez en aucun cas
- ⑤ Rangez l'outil/le chargeur/la batterie dans des endroits où la température n'excède pas 50°C
- ⑥ Ne jetez pas les outils électriques et les piles dans les ordures ménagères

UTILISATION


- Chargement de la batterie
 - ! lisez les avertissements de sécurité et les instructions fournies avec le chargeur
- Retirer/installer la batterie ②
- Indicateur de niveau de charge de la batterie ⑦
 - appuyez sur le bouton indicateur de niveau de charge de la batterie H pour afficher le niveau de charge actuel ⑦a
 - ! si le niveau le plus bas de l'indicateur de batterie se met à clignoter après appui sur le bouton H⑦b, la batterie est vide
 - ! si 2 niveaux de l'indicateur de batterie se mettent à clignoter après appui sur le bouton H⑦c, la batterie n'est pas dans la plage de température de fonctionnement autorisée
- Protection de la batterie
 - L'outil est soudainement mis hors tension ou la mise sous tension est empêchée lorsque
 - la charge est trop élevée --> retirez la charge et redémarrez l'outil
 - la température de la batterie est hors de la plage de températures de fonctionnement autorisée de -20 à +50°C --> 2 niveaux de l'indicateur de niveau de charge de la batterie se mettent à clignoter lorsque vous appuyez sur le bouton H⑦c ; attendez que la batterie soit revenue dans la plage de température de fonctionnement autorisée
 - la batterie est presque déchargée (pour empêcher qu'elle ne se décharge complètement) --> un niveau de batterie faible ou un niveau de batterie clignotant ⑦b est indiqué par l'indicateur de charge de la batterie lorsque vous appuyez sur le bouton H ; chargez la batterie
 - ! ne continuez pas à appuyer sur l'interrupteur marche/arrêt après l'arrêt automatique de l'outil ; cela pourrait endommager la batterie
- Fixation du clip de ceinture ⑧
 - fixez le clip de ceinture L à la clé avec la vis fournie
- Inversion du sens de rotation ⑨
 - quand l'outil n'est pas correctement réglé sur la position gauche/droite, l'interrupteur E② ne peut pas être activé
 - ! inversez le sens de rotation uniquement lorsque l'outil est complètement à l'arrêt
- Interrupteur combiné de marche/arrêt ⑩ et de réglage de la vitesse ⑪
 - réglez la vitesse de zéro au maximum en continu en appuyant plus ou moins fort sur la gâchette E②
- Éclairage LED ⑫
 - L'éclairage LED s'allume lorsque vous activez l'interrupteur marche/arrêt E ou appuyez sur le bouton d'éclairage LED F ou le bouton de mode G
 - Appuyez sur le bouton d'éclairage LED pour sélectionner la luminosité souhaitée :
 - Faible luminosité - s'éteint env. 10 s après le relâchement de l'interrupteur marche/arrêt
 - Haute luminosité - s'éteint env. 600 s après le relâchement de l'interrupteur marche/arrêt
 - ! Lorsque le voyant LED se met à clignoter rapidement, la protection de la batterie est activée (voir ci-dessus)
- Sélection de mode ⑬

- appuyez sur le bouton de mode G pour sélectionner le mode souhaité :
 - Mode basse vitesse (le voyant « 1 » s'allume en vert) ⑬a**
 - serrage à un couple réduit et à faible vitesse
 - pour petits boulons et vis
 - Mode vitesse moyenne (les voyants « 1 et 2 » s'allument en vert) ⑬b**
 - serrage à un couple moyen et une vitesse moyenne
 - pour les vis en application moyenne
 - Mode haute vitesse (les voyants « 1, 2 et 3 » s'allument en vert) ⑬c**
 - serrage avec une forte puissance et à vitesse élevée
 - pour les vis et écrous larges
 - Mode de contrôle inversé (le voyant « RM » s'allume en vert) ⑬d**
 - pour desserrer boulons et écrous
 - s'arrête lorsque le boulon ou l'écrou est desserré
 - ! le mode contrôle est uniquement disponible en rotation inverse ; en rotation avant, il est utilisé pour une vitesse élevée
 - ! les modes ne peuvent être modifiés que lorsque la ou les LED vertes sont activées et lorsque l'outil est à l'arrêt complet
 - Installation et retrait des douilles ⑭
 - pour installer une douille, il suffit de la pousser sur le carré D
 - pour retirer une douille, retirez-la simplement du carré D
 - ! utilisez uniquement des douilles à carré 3/8" ⑭a
 - ! Utilisez l'adaptateur M pour les douilles avec un entraînement carré de 1/2" ⑭b
 - ! n'utilisez pas de douilles endommagées
 - Tenue et guidage de l'outil ⑮
 - ! lorsque vous travaillez, tenez toujours l'outil par la ou les zone(s) de préhension de couleur grise
 - veillez à ce que les fentes de ventilation B② soient dégagées
 - ne pas appuyez trop fortement sur l'outil; laissez l'outil travailler pour vous
- ## CONSEILS D'UTILISATION
- Utilisez les embouts appropriés
 - Quand vous devez visser une vis près d'une arête de bois ou à la fin d'une coupe transversale, il est préférable de faire un avant-trou afin d'éviter de faire craquer le bois
 - Pour un usage optimal de l'outil une pression constante sur la vise est nécessaire, spécialement durant dévisser
 - Quand vous devez visser une vis au bois dur, il est préférable de faire un avant-trou
 - Pour plus d'informations, rendez-vous sur www.skil.com
- ## ENTRETIEN / RÉPARATION
- Cet outil n'est pas conçu pour un usage professionnel
 - Maintenez toujours l'outil propre (surtout les fentes de ventilation B②)
 - ! Retirez la batterie de l'outil avant de procéder au nettoyage
 - Si, malgré tous les soins apportés à la fabrication et au contrôle de l'outil, celui-ci devait avoir un défaut, la réparation ne doit être confiée qu'à une station de service après-vente agréée pour outillage SKIL
 - Retournez l'outil non démonté avec votre preuve d'achat auprès du revendeur ou du service après-vente

SKIL le plus proche (les adresses ainsi que la vue éclatée de l'outil figurent sur www.skil.com)

- Veuillez noter que tout dégât causé par une surcharge ou une mauvaise utilisation de l'outil ne sera pas couvert par la garantie (pour connaître les conditions de la garantie SKIL, surfez sur www.skil.com ou adressez-vous à votre revendeur)

ENVIRONNEMENT

- **Ne jetez pas les outils électriques, les piles, les accessoires et l'emballage dans les ordures ménagères** (pour les pays européens uniquement)
 - conformément à la directive européenne 2012/19/EG relative aux déchets d'équipements électriques ou électroniques, et à sa transposition dans la législation nationale, les outils électriques usés doivent être collectés séparément et faire l'objet d'un recyclage respectueux de l'environnement
 - le symbole  vous le rappellera au moment de la mise au rebut de l'outil
- ! **avant d'envoyer les batteries au recyclage, pour éviter un éventuel court-circuit, il convient de revêtir les bornes d'un épais ruban adhésif isolant**



BRUIT / VIBRATION

- Mesurés selon EN62841, le niveau de pression sonore de cet outil est de 88 dB(A), le niveau de puissance acoustique est de 99 dB(A) (incertitude K = 3 dB) et la vibration 9,1 m/s² (somme vectorielle triax ; incertitude K = 1,5 m/s²)
- Le niveau de vibrations émises a été mesuré conformément à l'essai normalisé de la norme EN62841; il peut être utilisé pour comparer plusieurs outils et pour réaliser une évaluation préliminaire de l'exposition aux vibrations lors de l'utilisation de l'outil pour les applications mentionnées
 - l'utilisation de l'outil dans d'autres applications, ou avec des accessoires différents ou mal entretenus, peut considérablement augmenter le niveau d'exposition
 - la mise hors tension de l'outil et sa non-utilisation pendant qu'il est allumé peuvent considérablement réduire le niveau d'exposition
- ! **protégez-vous contre les effets des vibrations par un entretien correct de l'outil et de ses accessoires, en gardant vos mains chaudes et en organisant vos horaires de travail**

D


Bürstenloser Akku-Schlagschrauber

3265

EINLEITUNG

- Dieses Werkzeug ist zum Eintreiben und Lösen von

Schrauben und Bolzen bestimmt

- Dieses Werkzeug eignet sich nicht für den professionellen Einsatz
- Wenn Teile fehlen oder beschädigt sind, wenden Sie sich an Ihren Händler
- **Diese Bedienungsanleitung vor dem Gebrauch sorgfältig durchlesen und aufbewahren** 
- **Achten Sie besonders auf die Sicherheits- und Warnhinweise. Es können schwere Verletzungen verursacht werden, wenn die Anweisungen missachtet werden**

TECHNISCHE DATEN

Max. Drehmoment bei hartem Schraubfall nach ISO 5393: 250Nm


WERKZEUGKOMPONENTEN

- A Drehrichtung-Wahlschalter (Rechtslauf/ Zentrierverriegelung/Linkslauf)
- B Lüftungsschlitze
- C LED-Lampe
- D Vierkantantrieb
- E Schalter zum Ein-Aus-Schalten und zur Drehzahlregelung
- F LED-Lampenschalter
- G Modustaste
- H Taster für Akkuladeanzeige
- J Bit-Lagerfläche
- K Riemenbefestigung
- L Gürtelclip
- M Adapter*

*STANDARDMÄSSIG NICHT MITGELIEFERT

SICHERHEIT

ALLGEMEINE SICHERHEITSHINWEISE ZU ELEKTROWERKZEUGEN

 **WARNUNG** Beachten Sie alle Warnhinweise, Anweisungen, Abbildungen und technischen Daten, die diesem Elektrowerkzeug beigelegt sind. Die Nichtbeachtung der unten aufgeführten Anweisungen kann zu Stromschlägen, Bränden und/oder schweren Verletzungen führen.

Bewahren Sie alle Warn- und Bedienhinweise für Nachschlagezwecke auf.

Unter den Begriff „Elektrowerkzeug“ in den Warnhinweisen fallen netzbetriebene (d. h. kabelgebundene) oder akkubetriebene (d.h. kabellose) Elektrowerkzeuge.

1) SICHERHEIT IM ARBEITSBEREICH

- a) Halten Sie den Arbeitsbereich stets sauber und gut beleuchtet. Unaufgeräumte oder dunkle Bereiche können Unfälle provozieren.
- b) Verwenden Sie Elektrowerkzeuge nicht in explosionsgefährdeten Umgebungen wie z. B. in Gegenwart von entzündlichen Flüssigkeiten, Gasen oder Staub. Elektrowerkzeuge erzeugen Funken, die Staub oder Dämpfe entzünden können.
- c) Halten Sie Schaulustige und Kinder fern, während Sie das Elektrowerkzeug einsetzen. Ablenkungen

können dazu führen, dass Sie die Kontrolle verlieren.

2) ELEKTRISCHE SICHERHEIT

- a) **Die Netzstecker der Elektrowerkzeuge müssen in die Steckdosen passen. Der Netzstecker darf unter keinen Umständen modifiziert werden.**

Verwenden Sie keine Adapterstecker an geerdeten Elektrowerkzeugen. Nicht modifizierte Stecker und passende Steckdosen reduzieren die Stromschlaggefahr.

- b) **Vermeiden Sie den Körperkontakt zu geerdeten Flächen wie zum Beispiel Rohrleitungen, Heizkörpern, Herden und Kühlschränken.** Es besteht erhöhte Stromschlaggefahr, wenn Ihr Körper geerdet ist.

- c) **Schützen Sie Elektrowerkzeuge vor Regen oder feuchten Bedingungen.** Wenn Wasser in das Elektrowerkzeug eindringt, besteht erhöhte Stromschlaggefahr.

- d) **Das Kabel darf nicht zweckfremd werden. Das Netzkabel darf nicht zum Tragen, Ziehen oder Herausziehen des Elektrowerkzeugs aus der Steckdose verwendet werden. Das Netzkabel muss vor Hitze, Öl, scharfen Kanten oder beweglichen Teilen ferngehalten werden.** Durch beschädigte oder verknotete Kabel besteht erhöhte Stromschlaggefahr.

- e) **Wenn Sie ein Elektrowerkzeug im Freien benutzen, verwenden Sie ein Verlängerungskabel, das für den Gebrauch im Freien geeignet ist.** Die Stromschlaggefahr verringert sich bei Gebrauch eines Netzkabels, das für den Einsatz im Freien geeignet ist.

- f) **Wenn der Gebrauch eines Elektrowerkzeuges an einem feuchten Ort unvermeidbar ist, benutzen Sie eine durch eine Fehlerstromschutzeinrichtung (FI-Schalter) geschützte Stromquelle.** Die Verwendung einer Fehlerstromschutzeinrichtung reduziert die Stromschlaggefahr.

3) PERSONENSICHERHEIT

- a) **Seien Sie wachsam, geben Sie darauf Acht, was Sie tun, und benutzen Sie Ihren gesunden Menschenverstand, wenn Sie ein Elektrowerkzeug verwenden. Betreiben Sie das Gerät nicht, wenn Sie müde oder unter dem Einfluss von Drogen, Alkohol oder Medikamenten stehen.** Ein Moment der Unachtsamkeit kann beim Gebrauch eines Elektrowerkzeugs zu ernsthaften Verletzungen führen.

- b) **Tragen Sie eine persönliche Schutzausrüstung. Tragen Sie immer einen Augenschutz.** Durch eine Schutzausrüstung wie etwa eine Staubschutzmaske, rutschfeste Schuhe, Schutzhelm oder Gehörschutz lässt sich die Verletzungsgefahr den Umständen entsprechend verringern.

- c) **Ungewollten Anlauf verhindern. Vor dem Anschließen an eine Steckdose und/oder einen Akku und vor dem Aufnehmen oder Transportieren des Geräts immer kontrollieren, ob der Hauptschalter in ausgeschalteter Position ist.** Unfälle sind vorprogrammiert, wenn Sie Elektrowerkzeuge mit einem Finger am Betriebsschalter tragen oder Elektrowerkzeuge mit eingeschaltetem Betriebsschalter an eine Steckdose anschließen.

- d) **Entfernen Sie alle Einstellschlüssel oder Schraubenschlüssel, bevor Sie das Elektrowerkzeug einschalten.** Ein Schraubenschlüssel oder ein Schlüssel, der noch an einem beweglichen Teil des Elektrowerkzeuges befestigt ist, kann Verletzungen

hervorrufen.

- e) **Nicht überstrecken. Achten Sie stets auf einen festen Stand und halten Sie das Gleichgewicht.** Dies ermöglicht in unerwarteten Situationen eine bessere Kontrolle über das Elektrowerkzeug.

- f) **Tragen Sie angemessene Kleidung. Tragen Sie keine weite Kleidung oder Schmuck. Halten Sie Ihr Haar und Ihre Kleidung von den beweglichen Teilen fern.** Weite Kleidung, Schmuck oder langes Haar können sich in den beweglichen Teilen verfangen.

- g) **Wenn Komponenten zum Anschluss an eine Absauganlage und an Auffangvorrichtungen mitgeliefert werden, achten Sie darauf, dass diese ordnungsgemäß befestigt und benutzt werden.** Die Verwendung einer Staubauffangvorrichtung kann Gefahren durch Staub reduzieren.

- h) **Lassen Sie sich nicht durch die aufgrund häufiger Benutzung entstandene Vertrautheit mit Werkzeugen dazu verleiten, unachtsam zu werden und die für Werkzeuge geltenden Sicherheitsgrundsätze zu ignorieren.** Eine fahrlässige Handlung kann bereits im Bruchteil einer Sekunde zu schweren Verletzungen führen.

4) GEBRAUCH UND PFLEGE DES ELEKTROWERKZEUGS

- a) **Üben Sie keinen übermäßigen Druck auf das Elektrowerkzeug aus. Verwenden Sie ein geeignetes Elektrowerkzeug für die jeweiligen Arbeiten.** Durch das passende Elektrowerkzeug lassen sich die Arbeiten besser und sicherer in dem jeweils vorgesehenen Tempo erledigen.

- b) **Verwenden Sie das Elektrowerkzeug nicht, wenn es sich mit dem Schalter weder ein- noch ausschalten lässt.** Ein Elektrowerkzeug, das sich über den Schalter nicht betätigen lässt, ist gefährlich und muss repariert werden.

- c) **Ziehen Sie den Netzstecker aus der Steckdose bzw. nehmen Sie den Akku vom Elektrowerkzeug ab, sofern dieser entfernbar ist, bevor Sie Einstellungen vornehmen, das Zubehör wechseln oder Elektrowerkzeuge verstauen.** Solche vorsorglichen Sicherheitsmaßnahmen verringern die Gefahr eines unbeabsichtigten Anlaufs.

- d) **Bewahren Sie nicht benutzte Elektrowerkzeuge außerhalb der Reichweite von Kindern auf und verbieten Sie Personen die Gerätebenutzung, die das Elektrowerkzeug oder diese Anweisungen nicht kennen.** In den Händen nicht eingewiesener Benutzer stellen Elektrowerkzeuge eine große Gefahr dar.

- e) **Warten Sie Elektrowerkzeuge und Zubehörteile. Achten Sie auf falsch ausgerichtete oder fest sitzende bewegliche Teile, Bruchstellen und sonstige Umstände, die die Funktion des Elektrowerkzeuges beeinträchtigen können. Lassen Sie beschädigte Elektrowerkzeuge reparieren, bevor Sie sie wieder einsetzen.** Viele Unfälle entstehen durch schlecht gewartete Elektrowerkzeuge.

- f) **Halten Sie Schneidwerkzeuge scharf und sauber.** Sachgemäß gewartete Schneidwerkzeuge mit scharfen Schneiden neigen weniger zum Festfahren und sind leichter zu kontrollieren.

- g) **Benutzen Sie das Elektrowerkzeug, Zubehör, Bits usw. gemäß diesen Anweisungen und berücksichtigen Sie dabei die Arbeitsbedingungen**

und die auszuführenden Arbeiten. Die Verwendung des Elektrowerkzeugs für Aufgaben, die von seinem bestimmungsgemäßen Zweck abweichen, können zu gefährlichen Situationen führen.

- h) Halten Sie die Griffe und Griffflächen trocken, sauber und frei von Öl und Fett.** Rutschige Griffe und Griffflächen beeinträchtigen die sichere Handhabung des Werkzeugs und führen in unerwarteten Situationen zum Verlust der Kontrolle über das Werkzeug.
- 5) BENUTZUNG UND PFLEGE VON AKKUGERÄTEN**
- a) Laden Sie den Akku nur mit dem vom Hersteller vorgegebenen Ladegerät auf.** Ein Ladegerät, das für einen bestimmten Akkutyp geeignet ist, kann bei der Benutzung eines anderen Akkus zu einer Brandgefahr werden.
- b) Benutzen Sie für die Elektrowerkzeuge nur die jeweils zugehörigen Akkus.** Bei Verwendung anderer Akkus besteht Verletzungs- und Brandgefahr.
- c) Wenn der Akku nicht benutzt wird, halten Sie ihn von anderen metallischen Gegenständen fern, wie etwa Büroklammern, Münzen, Schlüssel, Nägel, Schrauben oder anderen kleinen Metallgegenständen, die eine Verbindung zwischen den Polen herstellen können.** Das Kurzschließen der Pole kann Verbrennungen oder Brände verursachen.
- d) Bei unsachgemäßer Anwendung kann Flüssigkeit aus dem Akku austreten; Kontakt vermeiden. Falls Sie versehentlich mit Akkusäure in Berührung gekommen sind, spülen Sie die Stelle mit Wasser. Falls Akkusäure in die Augen geraten ist, suchen Sie zudem einen Arzt auf.** Aus dem Akku austretende Flüssigkeit kann Reizungen oder Verätzungen verursachen.
- e) Benutzen Sie keinen Akku oder ein Werkzeug, das beschädigt oder umgebaut wurde.** Beschädigte oder modifizierte Akkus können sich unvorhergesehen verhalten und einen Brand, eine Explosion oder eine Verletzung hervorrufen.
- f) Akku oder Werkzeuge vor Feuer oder extremen Temperaturen schützen.** Feuer oder Temperaturen über 130 °C können eine Explosion verursachen.
- g) Befolgen Sie alle Ladeanweisungen und laden Sie den Akku oder das Werkzeug nicht außerhalb des Temperaturbereichs auf, der in der Anleitung angegeben ist.** Das unsachgemäße Aufladen oder Laden außerhalb des angegebenen Temperaturbereichs kann den Akku beschädigen und die Brandgefahr erhöhen.
- 6) REPARATUREN**
- a) Lassen Sie Ihr Elektrowerkzeug von einer qualifizierten Fachkraft und nur unter Verwendung baugleicher Ersatzteile reparieren.** Nur so kann für die Sicherheit des Elektrowerkzeugs gesorgt werden.
- b) Reparieren Sie unter keinen Umständen beschädigte Akkus.** Akkus sollten ausschließlich vom Hersteller selbst oder einer autorisierten Reparaturwerkstatt repariert werden.

SICHERHEITSANWEISUNGEN FÜR AKKU-SCHLAGSCHRAUBER

- **Halten Sie das Elektrowerkzeug an den isolierten Griffflächen fest, wenn Sie Arbeiten ausführen, bei**

denen die Schraube verborgene Stromleitungen treffen kann (der Kontakt mit einer spannungsführenden Leitung kann auch Metallteile des Elektrowerkzeugs unter Spannung setzen und zu einem elektrischen Schlag führen)

ALLGEMEINES

- Der Staub von Materialien wie bleihaltiger Farbe, bestimmten Holzarten, Mineralien und Metallen kann gesundheitsschädlich sein (das Einatmen oder der Kontakt mit diesen Stäuben kann allergische Reaktionen und/oder Atemwegserkrankungen beim Benutzer oder bei Passanten auslösen); tragen Sie eine Staubmaske und arbeiten Sie mit einer Staubabsaugung, sofern ein Anschluss dafür vorhanden ist
- Bestimmte Stäube sind als krebserregend eingestuft (beispielsweise Eichen- und Buchenholzstaub), insbesondere in Verbindung mit Zusätzen für die Holzvorbehandlung. Tragen Sie eine Staubmaske und arbeiten Sie mit einer Staubabsaugung, sofern anschlussbar
- Beachten Sie die für Ihr verwendetes Verbrauchsmaterial gültigen nationalen Staubschutzvorgaben
- Bearbeiten Sie kein asbesthaltiges Material (Asbest gilt als krebserregend)
- Stellen Sie sicher dass Richtungswahlschalter A② auf die mittlere Verriegelungsposition gestellt ist, bevor Sie Einstellungen vornehmen, Zubehör wechseln oder das Werkzeug transportieren bzw. Verstauen

ZUBEHÖR

- SKIL kann nur dann die einwandfreie Funktion des Werkzeuges zusichern, wenn Original-Zubehör verwendet wird
- Nur Zubehör verwenden, dessen zulässige Drehzahl mindestens so hoch ist wie die höchste Leerlaufdrehzahl des Werkzeuges

VOR DER ANWENDUNG

- Beschädigungen durch Schrauben, Nägel und ähnliches an Ihrem Werkstück vermeiden; diese vor Arbeitsbeginn entfernen
- **Spannen Sie das Werkstück ein** (Wird das Werkstück von einer Spannvorrichtung gehalten oder in einen Schraubstock eingespannt, ist das Arbeiten sicherer als beim Festhalten mit der Hand)
- **Verwenden Sie geeignete Suchgeräte, um unter Putz verlegte Leitungen aufzuspüren.** Wenden Sie sich alternativ an einen Elektrofachbetrieb. Der Kontakt mit Elektroleitungen kann Brände und Stromschläge hervorrufen. Bei Beschädigung einer Gasleitung besteht Explosionsgefahr. Durch das Anbohren einer Wasserleitung besteht die Gefahr einer Sachbeschädigung oder Stromschlaggefahr

AKKU

- **Der mitgelieferte Akku ist nur teilgeladen.** Um die volle Kapazität des Akkus nutzen zu können, laden Sie den Akku im Ladegerät vollständig auf, bevor Sie das Elektrowerkzeug zum ersten Mal verwenden.
- **Nur die mit diesem Werkzeug mitgelieferten Batterien und Ladegeräte verwenden**
 - SKIL-Akku:BR1*31****
 - SKIL-Ladegerät:CR1*31****
- Beschädigte Akkus nicht verwenden sondern sofort ersetzen
- Die Batterie nicht auseinandernehmen
- Das Werkzeug/die Batterie niemals Regen aussetzen
- Erlaubte Umgebungstemperatur (Werkzeug/Ladegerät/Batterie):

- beim Laden 4...40°C
- im Betrieb -20...+50°C
- bei Lagerung -20...+50°C

ERKLÄRUNG DER SYMBOLE AUF DEM WERKZEUG/ AKKU

- ③ Die Bedienungsanleitung vor dem Gebrauch lesen
- ④ Batterien werden bei Kontakt mit Feuer explodieren, die Batterien daher niemals verbrennen
- ⑤ Bewahren Sie das Werkzeug/Ladegerät/Akku stets bei Raumtemperaturen unter 50°C auf
- ⑥ Elektrowerkzeuge und Akkus nicht in den Hausmüll werfen

BEDIENUNG

- Aufladen des Akkus
! Lesen Sie die Sicherheitshinweise und Anweisungen, die Ladegerät beiliegen
- Anbringen/Abnehmen des Akkus ②
- Akkuladeanzeige ⑦
 - Drücken Sie auf den Taster für die Akkuladeanzeige H, um den aktuellen Ladezustand des Akkus zu kontrollieren ⑦a
 - ! Wenn nach dem Drücken des Tasters für die Ladestandsanzeige H ⑦b der niedrigste Ladezustand in der Anzeige blinkt, ist der Akku leer**
 - ! Wenn nach dem Drücken des Tasters für die Ladestandsanzeige H ⑦c 2 Balken blinken, ist der Akku nicht im zulässigen Betriebstemperaturbereich**
- Akkuschutz
Das Gerät wird plötzlich ausgeschaltet oder kann nicht mehr eingeschaltet werden, wenn
 - **die Belastung zu stark ist** --> Gerät entlasten und neu starten
 - **die Akkutemperatur nicht im zulässigen Betriebstemperaturbereich von -20 bis +50° C liegt** --> Wenn nach dem Drücken des Tasters für die Ladestandsanzeige H ⑦c 2 Balken blinken, warten, bis sich der Akku wieder innerhalb des zulässigen Betriebstemperaturbereichs befindet
 - **der Akku fast leer ist (zum Schutz vor Tiefentladung)** --> Nach dem Drücken der Taste H wird ein niedriger Ladezustand oder ein blinkender niedriger Ladezustand ⑦b angezeigt; Akku aufladen
- ! Wenn sich das Gerät automatisch abgeschaltet hat, nicht weiterhin den Ein-/Ausschalter drücken; der Akku kann dadurch beschädigt werden**
- Gürtel-Clip anbringen ⑧
 - Befestigen Sie den Gürtelclip L mit der mitgelieferten Schraube am Gerät
- Umschalten der Drehrichtung ⑨
 - Wenn der Schalter nicht korrekt links/rechts einrastet, kann der Schalter E ② nicht betätigt werden
 - ! Drehrichtung nur dann wechseln, wenn das Werkzeug vollkommen stillsteht**
- Kombischalter zum Ein-/Ausschalten ⑩ und zur Drehzahlregelung ⑪
 - Durch mehr oder weniger Druck auf Schalter E ② kann die Geschwindigkeit stufenlos von Null bis zur maximalen Drehzahl verstellt werden
- LED-Lampe ⑫
 - Die LED-Lampe schaltet sich ein, wenn der Ein-/

Ausschalter E betätigt wird oder wenn entweder der LED-Lampenschalter F oder die Modustaste G gedrückt wird

- Drücken Sie den LED-Lampenschalter, um die gewünschte Helligkeit einzustellen:
Niedrige Helligkeit - schaltet sich ca. 10 Sekunden nach dem Loslassen des Ein-/Aus-Schalters aus
Hohe Helligkeit - schaltet sich ca. 600 s nach dem Loslassen des Ein- / Ausschalter aus
! Wenn die LED-Lampe schnell blinkt, ist der Akkuschutz aktiviert (siehe oben)
- Wahl der Betriebsart ⑬
 - Drücken Sie die Modustaste G, um die gewünschte Betriebsart auszuwählen:
Niedrige Drehzahl (Lampe „1“ leuchtet grün) ⑬a
 - Schrauben mit weniger Drehmoment und geringer Drehzahl
- für kleine Bolzen und Schrauben
Mittlere Drehzahl (Lampen „1 & 2“ leuchten grün) ⑬b
 - Schrauben mit mittlerem Drehmoment und mittlerer Drehzahl
- für mittelschwere Schraubarbeiten
Hohe Drehzahl (Lampen „1 & 2 & 3“ leuchten grün) ⑬c
 - Anzug mit hoher Kraft und Geschwindigkeit
- Für große Schrauben und Bolzen
Linkslauf-Regelmodus (Lampe „RM“ leuchtet grün) ⑬d
 - Zum Lösen von Schrauben und Muttern
- stoppt, wenn die Schraube oder Mutter gelöst ist
! Der geregelte Modus steht nur bei Rechtslauf zur Verfügung. Bei Linkslauf wird die mittlere Drehzahl aktiviert
 - ! Die Betriebsart kann nur geändert werden, wenn die grünen LEDs leuchten und das Werkzeug stillsteht**
- Steckschlüssel einsetzen und entfernen ⑭
 - Steckschlüssel zum Anbringen einfach auf den Vierkantantrieb D stecken
 - Steckschlüssel zum Entfernen einfach vom Vierkantantrieb D abziehen
! Nur Steckschlüssel mit 3/8"-Antrieb verwenden ⑭a
 - ! Verwenden Sie Adapter M für Steckschlüssel mit einem 1/2 Zoll Vierkantantrieb ⑭b**
 - ! Beschädigte Steckschlüssel nicht mehr verwenden**
- Halten und Führen des Werkzeugs ⑮
 - ! Werkzeug beim Arbeiten immer an den grauen Griffflächen festhalten**
 - Die Lüftungsschlitze B ② nicht abdecken
 - nicht zu viel Druck auf das Werkzeug ausüben; lassen Sie das Werkzeug für Sie arbeiten

ANWENDUNGSHINWEISE


- Die entsprechenden Bits verwenden
- Beim Eindrehen einer Schraube am Ende oder Kopfstück eines Holzes sollte ein Loch vorgebohrt werden um ein Spalten des Holzes zu vermeiden
- Für einen optimalen Gebrauch des Werkzeuges ist ein ständiger Druck auf die Schraube notwendig, besonders während des Ausschraubens
- Beim Eindrehen einer Schraube in Hartholz sollte ein

- Loch vorgebohrt werden
- Weitere Informationen finden Sie unter www.skil.com

WARTUNG / PFLEGE

- Dieses Werkzeug eignet sich nicht für den professionellen Einsatz
- Halten Sie das Werkzeug immer sauber (insbesondere die Lüftungsschlitze B²)
- ! Vor dem Reinigen den Akku vom Werkzeug abnehmen**
- Sollte das Elektrowerkzeug trotz sorgfältiger Herstellungs- und Prüfverfahren einmal ausfallen, ist die Reparatur von einer autorisierten Kundendienststelle für SKIL-Elektrowerkzeuge ausführen zu lassen
 - Schicken Sie das Werkzeug unzerlegt zusammen mit dem Kaufbeleg an den Fachhändler oder an die nächste SKIL-Vertragswerkstatt (die Anschriften sowie die Ersatzteilzeichnung des Werkzeuges finden Sie auf www.skil.com)
 - Wir weisen darauf hin, dass Schäden aufgrund einer Überlastung oder unsachgemäßen Handhabung von der Garantie ausgeschlossen sind (die SKIL-Garantiebedingungen finden Sie unter www.skil.com oder fragen Sie Ihren Händler)

UMWELT

- Elektrowerkzeuge, Akkus, Zubehör und Verpackungen nicht in den Hausmüll werfen** (nur für EU-Länder)
 - Gemäß der europäischen Richtlinie 2012/19/EG über Elektro- und Elektronik-Altgeräte und ihrer Umsetzung in nationales Recht müssen nicht mehr gebrauchsfähige Elektrowerkzeuge getrennt gesammelt und einer umweltgerechten Wiederverwertung zugeführt werden
 - Hieran soll Sie das Symbol  erinnern
- ! Vor dem Entsorgen des Akkus die Pole mit Isolierband zukleben, um einen Kurzschluss zu verhindern**

GERÄUSCH / VIBRATION

- Laut Messung gemäß EN 62841 beträgt der Schalldruckpegel dieses Werkzeugs 88 dB(A) und der Schalleistungspegel 99 dB(A) (Unsicherheit K = 3 dB). Die Vibration beträgt 9,1 m/s² (Triaxvektorsumme; Unsicherheit K = 1,5 m/s²)
- Die Vibrationsemissionsstufe wurde mit einem standardisierten Test gemäß EN62841 gemessen. Sie kann verwendet werden, um ein Werkzeug mit einem anderen zu vergleichen und dient als vorläufige Beurteilung der Vibrationsexposition bei Verwendung des Werkzeugs für die angegebenen Anwendungszwecke
 - Die Verwendung des Werkzeugs für andere Anwendungen oder mit anderem oder schlecht gewartetem Zubehör kann den Expositionswert erheblich erhöhen
 - Zeiten, zu denen das Werkzeug ausgeschaltet oder bei denen es in Betrieb ist aber nicht zum Einsatz kommt, können den Expositionswert erheblich verringern
- ! Schützen Sie sich vor den Auswirkungen der Vibration durch Wartung des Werkzeugs und des Zubehörs, halten Sie Ihre Hände warm und**


organisieren Sie Ihre Arbeitsweise

NL

Borstelloze accu-slagmoersleutel

3265

INLEIDING

- Deze machine is bedoeld voor het aandraaien en losdraaien van schroeven en bouten
- Dit gereedschap is niet bedoeld voor professioneel gebruik
- Als onderdelen ontbreken of beschadigd zijn, neemt u contact op met de dealer
- Lees deze handleiding aandachtig en bewaar hem zodat u hem in de toekomst kunt raadplegen** 
- Let met name op de veiligheidsinstructies en de waarschuwingen; het niet in acht nemen hiervan kan ernstig letsel tot gevolg hebben**

TECHNISCHE GEGEVENS

Max. draaimoment bij harde schroefverbinding volgens ISO 5393: 250Nm


GEREEDSCHAPSELEMENTEN

- A** Draairichting (vooruit/middenvergrendeling/achteruit) keuzeschakelaar
- B** Ventilatieopeningen
- C** LED-lampje
- D** Aandrijfviervkant
- E** Schakelaar voor aan/uit en toerentalregeling
- F** LED-lichtknop
- G** Modus-knop
- H** Accu niveau-indicator knop
- J** Bit opslagruimte
- K** Riembevestiging
- L** Riemclip
- M** Adapter*

*NIET STANDAARD INBEGREPEN

VEILIGHEID

ALGEMENE VEILIGHEIDSWAARSCHUWINGEN VOOR ELEKTRISCH GEREEDSCHAP

 WAARSCHUWING Lees alle veiligheidswaarschuwingen, instructies, illustraties en specificaties die met dit elektrisch gereedschap zijn meegeleverd. Het niet opvolgen van alle onderstaande instructies kan leiden tot elektrische schokken en/of ernstig letsel.

Bewaar alle waarschuwingen en instructies voor toekomstig gebruik.

De term "elektrisch gereedschap" in de waarschuwingen verwijst naar uw op het voedingsnet aangedreven (met snoer) elektrisch gereedschap of batterij aangedreven (snoerloos) elektrisch gereedschap.

1) VEILIGHEID OP DE WERKPLAATS

- a) Houd uw werkplaats schoon en goed verlicht.

Rommelige of donkere ruimten kunnen ongevallen veroorzaken.

- b) **Gebruik geen elektrisch gereedschap in ruimten waar een explosieve atmosfeer kan ontstaan, bijvoorbeeld in de aanwezigheid van ontvlambare vloeistoffen, gassen of stof.** Elektrisch gereedschap creëert vonken, deze kunnen stof of dampen in brand steken.
- c) **Houd kinderen en omstanders uit de buurt wanneer u een elektrisch gereedschap bedient.** Aflleiding kan tot controleverlies leiden.

2) ELEKTRISCHE VEILIGHEID

- a) **De stekker van het elektrisch gereedschap dient met het stopcontact overeen te stemmen. Pas de stekker op geen enkele manier aan. Gebruik geen adapterstekker met geaard elektrisch gereedschap.** Niet aangepaste stekkers en overeenkomstige stopcontacten beperken het risico op elektrische schokken.
- b) **Vermijd lichamelijk contact met geaarde oppervlakken, zoals pijpleidingen, radiatoren, fornuizen of koelkasten.** Het risico op een elektrische schok is groter als uw lichaam geaard is.
- c) **Stel elektrisch gereedschap niet bloot aan regen of vochtige omstandigheden.** Water dat elektrisch gereedschap binnendringt, vergroot het risico op een elektrische schok.
- d) **Gebruik de kabel niet op een verkeerde manier. Gebruik de kabel nooit om het elektrisch gereedschap te dragen, te trekken of om de stekker uit het stopcontact te halen. Houd de kabel uit de buurt van hitte, olie, scherpe randen of bewegende onderdelen.** Beschadigde of verstrikte kabels vergroten het risico op een elektrische schok.
- e) **Wanneer u een elektrisch gereedschap buitenshuis bedient, gebruik dan een verlengkabel die geschikt is voor gebruik buitenshuis.** Het gebruik van een kabel die voor gebruik buitenshuis geschikt is, verkleint het risico op een elektrische schok.
- f) **Als het gebruik van elektrisch gereedschap in een vochtige ruimte noodzakelijk is, gebruik een differentieelschakelaar.** Het gebruik van een differentieelschakelaar verkleint het risico op elektrische schokken.

3) PERSOONLIJKE VEILIGHEID

- a) **Wees waakzaam, let op wat u doet en gebruik uw gezond verstand wanneer u elektrisch gereedschap gebruikt. Gebruik het elektrisch gereedschap niet als u moe bent of onder de invloed bent van drugs, alcohol of medicijnen.** Een moment van onoplettendheid tijdens het gebruik van elektrische gereedschappen kan leiden tot ernstig persoonlijk letsel.
- b) **Gebruik persoonlijke beschermingsmiddelen. Draag altijd oogbescherming.** Beschermingsmiddelen zoals een stofmasker, slipvaste veiligheidsschoenen, veiligheidshelm of gehoorbescherming afhankelijk van de aard en het gebruik verkleint het risico op persoonlijk letsel.
- c) **Vermijd dat het gereedschap per ongeluk wordt gestart. Zorg dat de schakelaar op de stand 'Uit' is ingesteld voordat u het gereedschap op een stroombron en/of accupack aansluit, vastneemt of draagt.** Het dragen van elektrisch gereedschap met uw

vinger op de schakelaar of gereedschap ingeschakeld op de stroomvoorziening aansluiten kan ongevallen veroorzaken.

- d) **Verwijder instelsleutels of moersleutels voordat u het elektrisch gereedschap inschakelt.** Een instelsleutel of moersleutel in een draaiend deel van het elektrisch gereedschap achterlaten kan leiden tot persoonlijk letsel.
 - e) **Reik niet te ver. Zorg er altijd voor dat u stevig en stabiel staat.** Dit zorgt ervoor dat u het elektrisch gereedschap in onverwachte situaties beter onder controle kunt houden.
 - f) **Draag passende kleding. Draag geen los hangende kleding of sieraden. Houd uw haar en kleding uit de buurt van bewegende onderdelen.** Los hangende kleding, sieraden en lang haar kunnen in bewegende onderdelen verstrikt raken.
 - g) **Wanneer de montage van stofafzuiging- of stofopvangvoorzieningen mogelijk is, dient u ervoor te zorgen dat deze juist aangesloten en gebruikt worden.** Het gebruik van een stofopvang kan helpen om het risico in verband met stof te verlagen.
 - h) **Word niet zelfingenomen door de ervaring die u heeft opgedaan door frequent gebruik, waardoor u dan de veiligheids waarschuwingen negeert.** Een achteloze actie kan binnen een fractie van een seconde ernstig letsel veroorzaken.
- ## 4) ELEKTRISCH GEREEDSCHAP GEBRUIKEN EN ONDERHOUDEN
- a) **Overbelast het elektrisch gereedschap niet. Gebruik het juiste elektrisch gereedschap voor uw toepassing.** Met het juiste elektrisch gereedschap werkt u beter en veiliger binnen het aangegeven vermogensbereik.
 - b) **Gebruik het elektrisch gereedschap niet als de schakelaar niet kan worden in- en uitgeschakeld.** Elektrisch gereedschap dat niet kan worden in- of uitgeschakeld is gevaarlijk en moet worden gerepareerd.
 - c) **Trek de stekker uit de stroomvoorziening en/of verwijder het accupack, indien deze kan worden verwijderd, uit het elektrisch gereedschap voordat u het instelt, accessoires vervangt of het gereedschap opbergt.** Deze preventieve voorzorgsmaatregelen beperken het risico op onbedoeld starten van het elektrisch gereedschap.
 - d) **Berg niet-gebruikt elektrisch gereedschap op buiten het bereik van kinderen en zorg ervoor dat personen die niet vertrouwd zijn met het gereedschap of die deze instructies niet hebben gelezen het gereedschap niet gebruiken.** Elektrisch gereedschap is gevaarlijk wanneer het door onervaren personen wordt gebruikt.
 - e) **Onderhoud het elektrisch gereedschap en de accessoires. Controleer of de bewegende onderdelen correct functioneren en niet vastklemmen en of de onderdelen zodanig gebroken of beschadigd zijn dat de werking van het elektrisch gereedschap nadelig wordt beïnvloedt. Laat een beschadigd elektrisch gereedschap eerst repareren voordat u het weer in gebruik neemt.** Vele ongevallen zijn het gevolg van slecht onderhouden elektrisch gereedschap.
 - f) **Houd de snij-onderdelen scherp en schoon.**

Zorgvuldig onderhouden snij-gereedschap met scherpe snijranden klemt minder snel vast en is gemakkelijker te beheersen.

- g) Gebruik het elektrisch gereedschap, accessoires, inzetgereedschap, etc. in overeenstemming met deze instructies en houd hierbij rekening met de werkomstandigheden en de uit te voeren werkzaamheden.** Het gebruik van elektrisch gereedschap voor andere dan de beoogde toepassingen kan tot gevaarlijke situaties leiden.
- h) Houd de handgrepen en greepvlakken droog, schoon en vrij van olie en smeervet.** Glibberige handgrepen en greepvlakken maken een veilige omgang en de controle over het elektrisch gereedschap in onverwachte situaties onmogelijk.
- 5) ACCU-GEREEDSCHAP GEBRUIKEN EN ONDERHOUDEN**
- a) Opladen alleen met de lader die door de fabrikant is aangegeven.** Een lader die geschikt is voor een bepaald type accupack kan tot brandgevaar leiden wanneer hij gebruikt wordt met een ander accupack.
- b) Gebruik elektrisch gereedschap alleen met het specifiek aangegeven accupack.** Het gebruik van andere accupacks kan risico op letsel en brandgevaar veroorzaken.
- c) Wanneer u het accupack niet gebruikt, houd het uit de buurt van andere metalen voorwerpen zoals paperclips, munten, sleutels, spijkers, schroeven of andere kleine metalen voorwerpen die de twee aansluitklemmen kunnen verbinden.** Het kortsluiten van de aansluitklemmen kan brandwonden of brand veroorzaken.
- d) Bij verkeerd gebruik kan er vloeistof uit de accu worden gespoten; vermijd elk contact. Als anraking met de vloeistof toevallig plaatsvindt, spoel het dan af met water. Als de vloeistof in contact komt met de ogen, dient u onmiddellijk een arts te consulteren.** Vloeistof dat uit de accu wordt gespoten kan irritatie of brandwonden veroorzaken.
- e) Gebruik een accupack of gereedschap dat is beschadigd of aangepast niet.** Beschadigde of aangepaste accu's kunnen resulteren in onvoorzien gedrag zoals brand, explosie of het risico op letsel.
- f) Stel een accupack of gereedschap niet bloot aan vuur of excessieve temperaturen.** Blootstelling aan vuur of temperaturen boven 130°C kunnen leiden tot een explosie.
- g) Neem alle laadinstructies in acht en laad het accupack of het gereedschap niet buiten het gespecificeerde temperatuurbereik in de handleiding op.** Het onjuist laden of bij een temperatuur buiten het temperatuurbereik kan de accu beschadigen en er bestaat een gevaar op brand.
- 6) SERVICE**
- a) Laat uw elektrisch gereedschap repareren door een gekwalificeerde reparateur en alleen met identieke reserve-onderdelen.** Dit waarborgt de veiligheid van het elektrisch gereedschap.
- b) Repareer beschadigde accupacks nooit.** Onderhoud van accupacks mag alleen worden uitgevoerd door de fabrikant of een geautoriseerde dienstverlener.

VEILIGHEIDSVOORSCHRIFTEN VOOR

ACCU-SLAG-MOERSLEUTEL

- **Houd het elektrische gereedschap aan de geïsoleerde greepvlakken vast als u werkzaamheden uitvoert waarbij de schroef verborgen stroomleidingen kan raken** (contact met een onder spanning staande leiding kan ook metalen delen van het elektrische gereedschap onder spanning zetten en tot een elektrische schok leiden)

ALGEMEEN

- Stof van materiaal zoals loodhoudende verf, sommige houtsoorten, mineralen en metaal kunnen schadelijk zijn (contact met of inademing van de stof kan allergische reacties en/of ademhalingsziekten bij gebruiker of omstanders veroorzaken); **draag een stofmasker en werk met een stofopvangvoorziening als die kan worden aangesloten**
- Bepaalde soorten stof zijn geclassificeerd als kankerverwekkend (zoals stof van eiken en beuken), met name in combinatie met toevoegingsmiddelen voor houtverzorging; **draag een stofmasker en werk met een stofopvangvoorziening als die kan worden aangesloten**
- Neem voor de door u te bewerken materialen de nationale voorschriften aangaande stofopvang in acht
- Bewerk geen asbesthoudend materiaal (asbest geldt als kankerverwekkend)
- Zorg ervoor, dat de draairichting keuzeschakelaar A(2) in de midden- (blokkeer-) positie staat, vóórdat u de machine instelt of accessoires verwisselt, en ook wanneer u de machine draagt of opbergt

ACCESSOIRES

- SKIL kan alleen een correcte werking van het gereedschap garanderen, indien originele accessoires worden gebruikt
- Gebruik alleen accessoires met een toegestaan toerental, dat minstens even hoog is als het hoogste onbelaste toerental van het gereedschap

VOÓR GEBRUIK

- Voorkom schade, die kan ontstaan door schroeven, spijkers en andere voorwerpen in uw werkstuk; verwijder deze, voordat u aan een karwei begint
- **Zet het werkstuk vast** (een werkstuk, dat is vastgezet met klemmen of in een bankschroef, zit steviger vast dan wanneer het met de hand wordt vastgehouden)
- **Gebruik een geschikt detectieapparaat om verborgen stroom-, gas- of waterleidingen op te sporen of raadpleeg het plaatselijke energie- of waterleidingbedrijf** (contact met elektrische leidingen kan tot brand of een elektrische schok leiden; beschadiging van een gasleiding kan tot een explosie leiden; breuk van een waterleiding veroorzaakt materiële schade en kan tot een elektrische schok leiden)

BATTERIJEN

- **De meegeleverde accu is deels opgeladen** (om een volledige capaciteit van de accu te garanderen, moet u de accu volledig opladen in de oplader voordat u uw elektrische gereedschap voor de eerste keer gebruikt)
- **Gebruik uitsluitend de volgende batterijen en opladers voor deze machine**
 - SKIL-batterij: BR1*31****
 - SKIL-oplader: CR1*31****
- Gebruik de accu niet, wanneer deze beschadigd is; vervang deze onmiddellijk
- Haal de batterij niet uit elkaar
- Stel machine/batterij niet bloot aan regen

- Toegestane omgevingstemperatuur (machine/oplader/batterij):
 - bij het laden 4...40°C
 - bij het gebruik -20...+50°C
 - bij opslag -20...+50°C

UITLEG VAN SYMBOLEN OP GEREEDSCHAP/BATTERIJ

- ③ Lees de gebruiksaanwijzing vóór gebruik
- ④ Accu's exploderen als zij in vuur worden gegooid, dus verbrand de accu in geen geval
- ⑤ Bewaar het gereedschap/oplader/batterij op een plaats, waar de temperatuur niet hoger dan 50°C kan worden
- ⑥ Geef elektrisch gereedschap en batterijen niet met het huisvuil mee

GEbruik

- Opladen batterij
 - ! lees de veiligheids waarschuwingen en -voorschriften die bij de oplader worden geleverd
- Verwijderen/installeren van de batterij ②
- Batterijniveau-indicator ⑦
 - druk op de accu niveau-indicator knop H om het huidige batterijniveau aan te geven ⑦a
 - ! Als de laagste accuniveau-indicator begint te knippen na het drukken van knop H ⑦b, is de accu leeg
 - ! Als 2 niveaus van de accu-indicator beginnen te knippen na het drukken van knop H ⑦c, bevindt de batterij zich niet binnen het toegestane temperatuurbereik voor gebruik
- Batterijbescherming
 - De machine wordt plotseling uitgeschakeld of kan niet meer worden ingeschakeld, wanneer
 - de belasting is te hoog -> verwijder de belasting en start opnieuw
 - de temperatuur van de accu ligt niet binnen het toegestane bedrijfstemperatuurbereik van -20 tot +50°C --> 2 niveaus van de accuniveau-indicator beginnen te knippen als er op knop H ⑦c wordt gedrukt; wacht tot de batterij weer binnen het toegestane bedrijfstemperatuurbereik zit
 - de accu bijna leeg is (ter bescherming tegen diepe ontlading) --> er wordt een laag accuniveau of knipperend accuniveau ⑦b aangegeven door de accu niveau-indicator als er op knop H wordt gedrukt; accu opladen
 - ! blijf niet op de aan/uit-schakelaar drukken nadat het gereedschap automatisch is uitgeschakeld; de batterij kan beschadigd worden
- Riemclip bevestigen ⑧
 - bevestig de riemclip L aan de met de meegeleverde schroef aan de sleutel
- Draairichting veranderen ⑨
 - als de omkeerschakelaar niet in de uiterste stand op links/rechts staat, kan schakelaar E ② niet ingedrukt worden
 - ! schakel de draairichting alleen om als de machine volledig stilstaat
- Gecombineerde schakelaar voor aan/uit ⑩ en toerentalregeling ⑪
 - regel het toerental traploos van nul tot maximum door de E ② dieper in te drukken
- LED-licht ⑫
 - Led-licht gaat aan wanneer aan/uit-schakelaar E wordt

geactiveerd, of wanneer led-lichtknop F of modusknop G wordt gedrukt

- Druk op led-lichtknop om de gewenste helderheid te selecteren:

Lage helderheid - schakelt ca. 10 sec. na het loslaten van de aan/uit-schakelaar uit

Lage helderheid - schakelt ca. 600 sec. na het loslaten van de aan/uit-schakelaar uit

- ! Als het led-licht begint te knippen, is de accubeschermering geactiveerd (zie boven)

- Moduskeuze ⑬

- druk op de modusknop G om de gewenste modus te selecteren:

Lage snelheidsmodus (lampje '1' brandt groen) ⑬a

- met minder koppel en lage snelheid vastdraaien
- voor kleine bouten en schroeven

Modus met gemiddelde snelheid (lampjes '1&2' branden groen) ⑬b

- met gemiddeld koppel en snelheid vastdraaien
- voor schroeven in middelzware toepassingen

Hoge snelheidsmodus (lampjes '1&2&3' branden groen) ⑬c

- met veel kracht en hoge snelheid vastdraaien
- voor grote schroeven en bouten

Omgekeerde controlemodus (lampje 'RM' brandt groen) ⑬d

- voor het losdraaien van bouten en moeren
- stopt wanneer de bout of moer is losgedraaid

! de controle-modus kan alleen worden gebruikt met achterwaartse draairichting; de voorwaartse draairichting wordt gebruikt voor hoge snelheid

! modi kunnen alleen worden gebruikt wanneer groene led(s) aan zijn en wanneer het gereedschap volledig stilstaat

- Stopcontacten installeren en verwijderen ⑭

- om een dopsleutel te plaatsen, drukt u deze gewoon op het aandrijvierkant D

- om een dopsleutel te verwijderen, trekt u deze gewoon van het aandrijvierkant D

! maak uitsluitend gebruik van dopsleutels die geschikt zijn voor een aandrijvierkant van 3/8"

⑭a

! gebruik adapter M voor schachten met een 1/2" aandrijvierkant ⑭b

! gebruik geen beschadigde dopsleutels

- Vasthouden en leiden van het gereedschap ⑮

! houd het gereedschap tijdens het werk altijd vast bij het (de) grijs gekleurde greepvlak(ken)

- houd ventilatie-openingen B ② onbedekt

- oefen niet te veel druk uit; laat het gereedschap het werk voor u doen

! houd het gereedschap tijdens het werk altijd vast bij het (de) grijs gekleurde greepvlak(ken)

- houd ventilatie-openingen B ② onbedekt

- oefen niet te veel druk uit; laat het gereedschap het werk voor u doen

! houd het gereedschap tijdens het werk altijd vast bij het (de) grijs gekleurde greepvlak(ken)

- houd ventilatie-openingen B ② onbedekt

- oefen niet te veel druk uit; laat het gereedschap het werk voor u doen

- oefen niet te veel druk uit; laat het gereedschap het werk voor u doen

- oefen niet te veel druk uit; laat het gereedschap het werk voor u doen

- oefen niet te veel druk uit; laat het gereedschap het werk voor u doen

! houd het gereedschap tijdens het werk altijd vast bij het (de) grijs gekleurde greepvlak(ken)

- oefen niet te veel druk uit; laat het gereedschap het werk voor u doen

! houd het gereedschap tijdens het werk altijd vast bij het (de) grijs gekleurde greepvlak(ken)

TOEPASSINGSADVIES

- Gebruik de juiste bits
- Altijd een gat voorboren bij het schroeven in/vlakbij de kopse- of zijkant van hout
- Voor een optimaal gebruik van uw machine is het nodig stevig op de schroef te drukken, met name bij uitdraaien
- Voor het indraaien van schroeven in hard hout dient een gat voorgeboord te worden
- Voor meer informatie zie www.skil.com

ONDERHOUD/SERVICE

- Dit gereedschap is niet bedoeld voor professioneel gebruik
- Houd het gereedschap altijd schoon (met name de ventilatie-openingen B ②)
! Verwijder voor het reinigen de accu uit het gereedschap
- Mocht het elektrische gereedschap ondanks zorgvuldige fabricage- en testmethoden toch defect raken, dient de reparatie te worden uitgevoerd door een erkende klantenservice voor SKIL elektrische gereedschappen
 - stuur het gereedschap niet gedemonteerd, samen met het aankoopbewijs, naar het verkoopadres of het dichtstbijzijnde SKIL service-station (de adressen evenals de onderdeelentekening van het gereedschap vindt u op www.skil.com)
 - Denk erom, dat beschadigingen als gevolg van overbelasting of onjuist gebruik van het gereedschap niet onder de garantie vallen (voor de garantievoorwaarden van SKIL zie www.skil.com of raadpleeg uw dealer)

MILIEU

- **Geef elektrisch gereedschap, batterijen, accessoires en verpakkingen niet met het huisvuil mee** (alleen voor EU-landen)
 - volgens de Europese richtlijn 2012/19/EG inzake oude elektrische en elektronische apparaten en de toepassing daarvan binnen de nationale wetgeving, dient afgedankt elektrisch gereedschap gescheiden te worden ingezameld en te worden afgevoerd naar een recycle-bedrijf, dat voldoet aan de geldende milieu-eisen
 - symbool ⑥ zal u eraan herinneren als u het gereedschap moet afdanken
- **! bescherm de batterij-contacten met stevig plakband voordat ze afgedankt worden, om kortsluiting te voorkomen**

GELUID/VIBRATIE

- Gemeten in navolging van EN62841 is het geluidsdrukniveau van dit gereedschap 88 dB (A) en het geluidsvermogensniveau 99 dB (A) (onzekerheid K = 3 dB), en de trilling 9,1 m/s² (triax vector som; onzekerheid K = 1,5 m/s²)
- Het trillingsemissieniveau is gemeten in overeenstemming met een gestandaardiseerde test volgens EN 62841; deze mag worden gebruikt om twee gereedschappen met elkaar te vergelijken en als voorlopige beoordeling van de blootstelling aan trilling bij gebruik van het gereedschap voor de vermelde toepassingen
 - gebruik van het gereedschap voor andere toepassingen, of met andere of slecht onderhouden accessoires, kan het blootstellingsniveau aanzienlijk verhogen
 - wanneer het gereedschap is uitgeschakeld of wanneer het is ingeschakeld maar geen werk verricht, kan dit het blootstellingsniveau aanzienlijk reduceren
- **! bescherm uzelf tegen de gevolgen van trilling door het gereedschap en de accessoires te onderhouden, uw handen warm te houden en uw werkwijze te organiseren**

Borstlös, sladdlös mutterdragare

3265

INTRODUKTION

- Det här verktyget är avsett att skruva i och lossa skruvar och bultar
- Det här verktyget är inte avsedd för yrkesmässig användning
- Om delar saknas eller är skadade kontaktar du återförsäljaren
- **Läs dessa instruktioner noggrant för användning och bevara dem för framtida bruk** ③
- **Uppmärksamma särskilt säkerhetsinstruktionerna och varningarna, om dessa inte följs kan det resultera i allvarliga personskador**

TEKNISKA DATA ①

Max. vridmoment hårt skruvförband enligt ISO 5393: 250Nm

VERKTYGSELEMENT ②

- A Rotationsriktningsväljare (framåt/mittlås/bakåt)
 - B Ventilationsöppningar
 - C Lysdiolampa
 - D Fäste
 - E Strömbrytare för till/från och varvtalsreglering
 - F LED-lampknapp
 - G Lägesknapp
 - H Knapp batterinivåindikator
 - J Bitsförvaringsområde
 - K Remfäste
 - L Bältesklämma
 - M Adapter*
- *INGÅR EJ SOM STANDARD

SÄKERHET

ALLMÄNNA SÄKERHETSVARNINGAR FÖR ELVERKTYG

⚠ VARNING Läs igenom alla säkerhetsvarningar, instruktioner, illustrationer och specifikationer som medföljer detta elverktyg. Underlåtenhet att följa alla instruktioner som listas nedan kan resultera i elektriska stötar, brand och/eller allvarliga personskador.

Spara alla varningar och instruktioner för framtida referens

Termen "elverktyg" i varningarna syftar på ditt starkströmsdrivna (sladdanslutna) elverktyg eller batteridrivna (sladdlösa) elverktyg.

1) ARBETSPLATSSÄKERHET

- a) **Håll arbetsområdet rent och ordentligt upplyst.** Belamrade eller mörka områden inbjuder till olyckor.
- b) **Använd inte elverktyg i explosiva miljöer som t.ex. i närvaron av brandfarliga vätskor, gaser eller damm.** Elverktyg skapar gnistor vilka kan antända dammet eller ångorna.

- c) **Håll barn och åskådare borta medan elverktyet arbetar.** Störningarna kan göra att du tappar kontrollen.
- 2) **ELEKTRISK SÄKERHET**
- a) **Elverktgets kontakter måste matcha uttaget. Modifiera aldrig kontakten på något sätt. Använd inte någon adapterkontakt med motordrivna verktyg som är jordade.** Stickkontakter som inte modifierats och passar i eluttaget minskar risken för elektriska stötar.
- b) **Undvik kroppskontakt med jordanslutna eller jordade ytor såsom rör, värmeelement, spisar och kylskåp.** Det finns en ökad risk för elektrisk stöt om din kropp är jordanslutna eller jordad.
- c) **Utsätt inte elverktyg för regn eller våta förhållanden.** Vatten som kommer in i ett elektriskt verktyg ökar risken för elektriska stötar.
- d) **Vanvärda inte sladden. Använd aldrig kabeln för att bära, släpa eller dra ut kontakten för elverktyet. Håll kabeln borta från värme, olja, skarpa kanter och rörliga delar.** Skadade eller tilltrasslade sladdar ökar risken för elektrisk stöt.
- e) **Vid användning av motordrivna verktyg utomhus, använd en förlängningskabel som är avsedd för utomhusbruk.** Användning av en sladd som passar för utomhusanvändning minskar risken för elektrisk stöt.
- f) **Om du måste använda ett motordrivet verktyg i en fuktig miljö, använd en jordfelsbrytare.** En jordfelsbrytare minskar risken för elektriska stötar.
- 3) **PERSONLIG SÄKERHET**
- a) **Var uppmärksam och observant samt använd sunt förnuft när du använder ett elverktyg. Använd inte ett motordrivet verktyg om du är trött eller under påverkan av droger, alkohol eller medicin.** Ett ögonblick av uppmärksamhet under arbete med elverktyg kan resultera i allvarliga personskador.
- b) **Använd personlig skyddsutrustning. Använd alltid skyddsglasögon.** Skyddsutrustning såsom andningsmask, halksäkra säkerhetsskor, skyddshjälm eller hörselskydd som används för lämpliga förhållanden minskar personskador.
- c) **Förebygg oavsiktlig start. Se till att strömbrytaren är i frånläge innan du ansluter till strömkällan och/eller batteripaketet, plockar upp eller bär verktyget.** Att bära elverktyget med fingret på strömbrytaren eller verktyg som är påslagna inbjuder till olyckor.
- d) **Ta bort inställningsnycklar eller skiftnycklar innan elverktyget slås på.** En skiftnyckel eller en nyckel som sitter kvar på en roterande del av elverktyget kan resultera i personskada.
- e) **Sträck dig inte för långt. Ha ordentligt fotfäste och balans hela tiden.** Detta möjliggör bättre kontroll av elverktyget i oväntade situationer.
- f) **Klä dig på lämpligt sätt. Bär inte löst sittande kläder eller smycken. Håll hår och klädsel på avstånd från de rörliga delarna.** Löst sittande kläder, smycken och långt hår kan fastna i rörliga delar.
- g) **Om enheter har anslutning för dammuppsamlare och anslutningsmöjligheter, se till att de är anslutna och används på korrekt sätt.** Användning av dammuppsamlare kan minska dammrelaterade faror.
- h) **Var alltid uppmärksam vid användning av verktyget, även efter många användningstillfällen, och ignorera inte verktygets säkerhetsprinciper.** En vårdslös handling kan orsaka allvarliga personskador

inom bråkdelen av en sekund.

- 4) **ANVÄNDNING OCH SKÖTSEL AV ELVERKTYG**
- a) **Tvinga inte elverktyget. Använd ett korrekt elverktyg för ditt arbete.** Ett korrekt elverktyg utför jobbet bättre och säkrare om det används för rätt arbete.
- b) **Använd inte elverktyget om strömbrytaren inte kan slås på eller stängas av.** Ett elverktyg som inte kan kontrolleras med strömbrytaren är farligt och måste repareras.
- c) **Koppla ur stickkontakten från strömkällan och/eller ta bort batteripaketet, om det är löstagbart, från elverktyget innan du utför justeringar, byter tillbehör eller förvarar elverktyget.** Dessa förebyggande säkerhetsåtgärder minskar risken för att elverktyget startas oavsiktligt.
- d) **Förvara elverktyg som går på tomgång utom räckhåll för barn och låt inte personer som är ovana med elverktyget eller dessa instruktioner använda elverktyget.** Elverktyg är farliga i händerna på utbildade användare.
- e) **Underhåll av elverktyg och tillbehör. Kontrollera felinställningar eller om rörliga delar har fastnat, bristning hos delar och andra eventuella förhållanden som kan komma att påverka elverktygets funktion. Om skadad, lämna in elverktyget för reparation innan det används.** Många olyckor beror på dåligt underhållna elverktyg.
- f) **Håll kapverktyg vassa och rena.** Ordentligt underhållna kapverktyg med vassa sågkanter är mindre sannolika att fastna och är lättare att kontrollera.
- g) **Använd elverktyget, tillbehör, verktygsbits osv. i enlighet med dessa instruktioner och ta hänsyn till arbetsförhållanden och det arbete som ska utföras.** Om elverktyget används för andra arbeten än det är avsett för kan det resultera i farliga situationer.
- h) **Håll handtagen och greppytorna torra, rena och fria från olja och fett.** Hala handtag och greppytor förhindrar säker hantering och kontroll av verktyget vid oväntade situationer.
- 5) **ANVÄNDNING OCH SKÖTSEL AV BATTERIDRIVET VERKTYG**
- a) **Ladda endast med den laddare som rekommenderas av tillverkaren.** En laddare som är lämplig för en typ av batteripaket kan skapa en risk för brand när den används med ett annat batteripaket.
- b) **Använd endast elverktyg med deras särskilt avsedda batteripaket.** Användning av andra batteripaket kan medföra risk för personskador och eld.
- c) **När batteripaketet inte används, håll det borta från metallobjekt som t.ex. pappersgem, mynt, nycklar, spikar, skruvar och andra små metallobjekt som kan bilda en anslutning från en batterikontakt till den andra.** Kortslutning av batteriets terminaler kan orsaka brännskador eller en brand.
- d) **Under olämpliga förhållanden kan vätska spruta ut från batteriet. Undvik kontakt. Vid oavsiktlig kontakt, spola med vatten. Om vätskan kommer i kontakt med ögonen, sök också läkarhjälp.** Vätska som sprutar ur batteriet kan orsaka sveda och brännskador.
- e) **Använd inte ett batteripaket eller verktyg som skadats eller modifierats.** Skadade eller modifierade batterier kan leda till oförutsägbart uppträdande som leder till brand, explosion eller risk för personskador.

- f) **Utsätt inte batteripaketet eller verktyget för eld eller extrema temperaturer.** Exponering av eld eller temperaturer över 130 °C kan orsaka explosion.
- g) **Följ alla laddningsinstruktioner och ladda inte batteripaketet eller verktyget utanför det temperaturområde som anges i instruktionerna.** Felaktig laddning eller vid temperaturer utanför angivet temperaturområde kan skada batteriet och ökar risken för brand.
- 6) **SERVICE**
- a) **Lämna ditt elverktyg för service hos en kvalificerad servicetekniker som endast använder identiska utbytesdelar.** Det garanterar att säkerheten hos elverktygets bibehålls.
- b) **Utför aldrig service på skadade batteripaket.** Service av batteripaket bör endast utföras av tillverkaren eller auktoriserade serviceverkstäder.

SÄKERHETSANVISNINGAR FÖR SLADDLÖS MUTTERDRAGARE

- **Håll verktyget i de isolerade greppytorna när ett arbete utförs där fästelementet kan komma i kontakt med dolda kablar** (fästelement som kommer i kontakt med en strömförande ledning kan orsaka att även verktygets exponerade metalldelar blir strömförande, vilket utgör risk för att användaren utsätts för elektriska stötar)

ALLMÄNT

- Viss typ av damm, exempelvis färg som innehåller bly, vissa träsorter, mineraler och metaller kan vara hälsovådliga om de inhaleras (hudkontakt eller inhalering kan ge allergisk reaktion och/eller luftvägsproblem/sjukdom hos personer i närheten); **använd andningsskydd och arbeta med en dammuppsamlare om sådan anslutning finns**
- Vissa typer av damm är klassificerade så som cancerframkallande (t.ex. ek- och björkdamm) särskilt i kombination med tillsatser för träbehandling; **använd andningsskydd och arbeta med en dammuppsamlare om sådan anslutning finns**
- Följ de nationella krav, som finns angående damm, för de material du skall arbeta med
- Asbesthaltigt material får inte bearbetas (asbest anses vara cancerframkallande)
- Kontrollera att riktningsskomppolaren för rotationen A② är i mittenpositionen (låst läge) innan inställningar utförs eller tillbehörskomponenter byts eller maskinen transporteras eller förvaras

TILLBEHÖR

- SKIL kan endast garantera att maskinen fungerar felfritt om originaltillbehör används.
- Använd endast tillbehör vilkas tillåtna varvtal åtminstone motsvarar maskinens högsta tomgångsvarvtal

FÖRE ANVÄNDNINGEN

- Undvik skador genom att ta bort skruvar, spikar eller andra föremål ur arbetsstycket; ta dem bort innan du startar ett arbete
- **Sätt fast arbetsstycket** (ett arbetsstycke fastsatt med skruvtingar eller i ett skruvstäd är mera stabilt än om det hålls fast för hand)
- **Använd lämpliga detektorer för lokalisering av dolda försörjningsledningar eller konsultera lokalt distributionsföretag** (kontakt med elledning kan

försaka brand och elstöt; en skadad gasledning kan leda till explosion; borring i vattenledning kan försaka egendomsskador eller elstöt)

BATTERIER

- **Det medföljande batteriet är delvis laddat** (i syfte att garantera batteriets fulla kapacitet ska det laddas fullt i batteriladdaren innan verktyget används för första gången)
- **Använd endast följande batterier och laddare med det här verktyget**
 - SKIL-batteri: BR1*31****
 - SKIL-laddare: CR1*31****
- Använd aldrig batteriet när det är skadat; det skall omedelbart bytas ut
- Demontera inte batteriet
- Utsätt inte verktyget/batteriet för regn
- Tillåten omgivningstemperatur (verktyg/laddare/batteri):
 - vid laddning 4...40 °C
 - vid drift -20...+50 °C
 - vid förvaring -20...+50 °C

FÖRKLARING AV SYMBOLER PÅ VERKTYGET/ BATTERIET

- ③ Läs bruksanvisningen före användning
- ④ Batterierna kan explodera om de utsätts för eld så bränn inte batteriet av något skäl
- ⑤ Förvara verktyget/laddaren/batteriet i lokaler, där temperaturen inte överstiger 50 °C
- ⑥ Kasta inte elektriska verktyg och batterier i hushållsoporna

ANVÄNDNING

- Laddning av batteri
! läs säkerhetsvarningarna och anvisningarna som medföljde laddaren
- Borttagning/installation av batteriet ②
- Batterinivåindikator ⑦
 - tryck på indikatorknappen för batterinivån H för att visa nuvarande batterinivå ⑦a
 - ! när den lägsta nivån hos batteriindikatorn börjar blinka efter att knappen H ⑦b tryckts in är batteriet tomt**
 - ! när två nivåer av batteriindikatorn börjar blinka efter att knappen H ⑦c tryckts in är inte batteriet inom tillåtet drifttemperaturområde**
- Batteriskydd
Verktyget stängs plötsligt av eller förhindras att startas när
 - **belastningen är alltför hög** --> ta bort belastning och starta om
 - **batteriets temperatur är inte inom tillåtet drifttemperaturområde på -20 till +50 °C** --> två nivåer på batteriindikatorns nivåindikator börjar blinka när knappen H ⑦c trycks in; vänta tills batteriet har återgått till tillåtet drifttemperaturområde
 - **batteriet är nästan tomt (för att skydda mot djup urladdning)** --> en låg batterinivå eller blinkande låg batterinivå ⑦b visas av batterinivåindikatorn när knappen H trycks in; ladda batteriet
 - ! fortsätt inte trycka på strömbrytaren efter att verktyget stängts av automatiskt; batteriet kan skadas**
- Ansluta bältesklämma ⑧
 - fäst bältesklämma L till maskinen med den

- medföljande skruven
- Ändra rotationsriktningen ⑨
 - om inte vänster/höger är inställt i rätt läge, kan inte strömbrytaren E ② aktiveras
 - ! **ändra rotationsriktningen när maskinen är helt stilla**
- Kombinerad strömbrytare ⑩ och hastighetskontroll ⑪
 - variera hastigheten steglöst från noll till maximum genom att trycka mer eller mindre på E ②
- LED-lampa ⑫
 - LED-lampan tänds när du aktiverar strömbrytaren E, eller genom att trycka på antingen LED-ljusknappen F eller lägesknappen G
 - Tryck på LED-lampknappen för att välja önskad ljusstyrka:
 - Låg ljusstyrka** - stängs av ca 10s efter att strömbrytaren har släppts
 - Hög ljusstyrka** - stängs av ca 600s efter att strömbrytaren har släppts
 - ! **När LED-lampan börjar att blinka, är batteriskyddet aktiverat (se nedan)**
- Lägesval ⑬
 - tryck på lägesknappen G för att välja önskat läge:
 - Låg hastighetsläge (lampa "1" lyser grönt) ⑬a**
 - åtdragning med mindre vridmoment och låg hastighet - för små bultar och skruvar
 - Medelhastighetsläge (lampor "1 och 2" lyser grönt) ⑬b**
 - dra åt med medelhögt vridmoment och varvtal - för skruvarna i medelhög tillämpning
 - Höghastighetsläge (lampor "1 och 2 och 3" lyser grönt) ⑬c**
 - åtdragning med stor kraft och hög hastighet - för stora skruvar och bultar
 - Kontrolläge för bakåtriktad rotation (lampa "RM" lyser grönt) ⑬d**
 - för att lossa bultar och muttrar
 - stoppar när bulten eller muttern lossnar
 - ! **kontrolläget för bakåtriktad rotation endast tillgängligt vid bakåtriktad rotation – vid framåtriktad rotation används det för hög hastighet**
 - ! **-lägen kan bara ändras när gröna LED är aktiverade och när verktyget är helt stillastående**
- Installera och ta bort uttag ⑭
 - för att installera ett uttag, skjut helt enkelt på den på fyrkantiga enhet D
 - för att ta bort ett uttag, helt enkelt dra bort den från fyrkantiga enhet D
 - ! **använd endast hylsor med ett 3/8 tums fyrkantsfäste ⑭a**
 - ! **använd sexkantsadapter M för hylsor med ett 1/2 tums fyrkantsfäste ⑭b**
 - ! **använd aldrig skadade hylsor**
- Fasthållning och styrning av verktyget ⑮
 - ! **under arbetet, håll alltid verktyget i det gråfärgade greppområdet**
 - håll ventilationsöppningarna B ② fria
 - lägg inte för mycket tryck på verktyget; låt verktyget göra arbetet åt dig

ANVÄNDNINGSTIPS

- Använd rätt bits
- Vid idragning av en skruv nära kortändan eller på sidan

av trämateriallet skall förborring ske för att undvika sprickbildning

- För bästa användning av maskinen är det nödvändigt med ett jämnt tryck på skruven, speciellt vid urdragning
- Vid skruvning i hårt trä bör man först förborra ett hål
- För mer information se www.skil.com

UNDERHÅLL/SERVICE

- Det här verktyget är inte avsedd för yrkesmässig användning
- Håll alltid verktyget rent (i synnerhet ventilationsöppningarna B ②)
- ! **Ta bort batteriet från verktyget före rengöring**
- Om i elverktyget trots exakt tillverkning och sträng kontroll störning skulle uppstå, bör reparation utföras av auktoriserad serviceverkstad för SKIL elverktyg
 - skicka verktyget odemonterat tillsammans med inköpsbevis till försäljaren eller till närmaste SKIL serviceverkstad (adresser samt sprängskisser av verktyget finns på www.skil.com)
 - Var medveten om att skada till följd av överbelastning eller felaktig hantering inte täcks av garantin (för SKIL garantivillkor gå till www.skil.com eller fråga återförsäljaren)

MILJÖ

- **Elektriska verktyg, batterier, tillbehör och förpackning får inte kastas i hushållsoporna** (gäller endast EU-länder)
 - enligt europeiska direktivet 2012/19/EG avseende avfall från elektrisk och elektronisk utrustning och dess tillämpning enligt nationell lagstiftning ska uttjänta elektriska verktyg sorteras separat och lämnas till miljövänlig återvinning
 - symbolen ⑥ kommer att påminna om detta när det är dags för avyttring
 - ! **före avyttring av batterierna, tejpa kontaktytorna med kraftig tejp för att undvika kortslutning**

BULLER/VIBRATION

- Det här verktygets ljudtrycksnivå som uppmätts i enlighet med EN62841 och ljudtrycksnivån för detta verktyg är 88 dB(A) och ljudeffektnivån 99 dB(A) (osäkerhet K = 3 dB) och vibrationen 9,1 m/s² (triaxvektorsumma; osäkerhet K = 1,5 m/s²)
- Vibrationsemissionsvärdet har uppmätts i enlighet med ett standardiserat test angivet i EN62841; detta värde kan användas för att jämföra ett verktyg med ett annat och som en ungefärlig uppskattning av hur stor vibration användaren utsätts för när verktyget används enligt det avsedda syftet
 - om verktyget används för annat arbete än det avsedda syftet eller med fel eller dåligt underhållna tillbehör kan detta drastiskt öka exponeringsnivån
 - när verktyget stängts av eller körs men inte utför arbetet, kan detta avsevärt minska exponeringsnivån
- ! **skydda dig mot effekterna av vibrationer genom att underhålla verktyget och dess tillbehör, hålla händerna varma och organisera ditt arbetsmönster**

Batteridrevet slagnøgle uden børster

3265

INTRODUKTION

- Dette værktøj er beregnet til at skrue skruer og bolte ind og ud
- Dette værktøj er ikke beregnet til professionelt brug
- Kontakt venligst din forhandler, hvis dele mangler eller er beskadiget
- **Læs denne brugsanvisning omhyggeligt igennem, inden støvsugerens bruges, og gem brugsanvisningen til senere brug** ③
- **Vær særlig opmærksom på sikkerhedsinstruktionerne og advarslerne; gøres dette ikke, kan det medføre alvorlige skader**

TEKNISKE DATA ①

Max. drejningsmoment hårdt skruearbejde iht. ISO 5393: 250Nm

VÆRKTØJETS DELE ②

- A Retningsknap (frem/midt-lås/tilbage)
- B Ventilationshuller
- C LED-lys
- D Firkantet drev
- E Afbryder til tænd/sluk og regulering af omdrejningstal
- F Knap til LED-lyset
- G Funktionsknap
- H Batteriniveauidikatorknop
- J Bit opbevaringsområde
- K Område til fastspænding af stroppen
- L Bæltelemme
- M Adapter*

*MEDFØLGER IKKE SOM STANDARD

SIKKERHED

GENERALLE SIKKERHEDSADVARSLER OM ELEKTRISKE APPARATER

⚠ ADVARSEL Læs alle sikkerhedsadvarsler, anvisninger, billeder og specifikationer, der følger med dette elværktøj. Hvis anvisningerne nedenfor ikke følges, kan det føre til elektrisk stød, brand og/eller alvorlig personskade.

Gem alle advarsler og instruktioner til fremtidig reference.

Udtrykket "elværktøj" i advarslerne henviser til eldrevet (ledningsforbundet) og batteridrevet (ledningsfrit) elværktøj.

1) SIKKERHED PÅ ARBEJDSPLADSEN

- a) **Sørg for, at arbejdsområdet er rent og godt belyst.** Et rodet eller mørkt område kan føre til ulykker.
- b) **Brug ikke elværktøj i eksplosive atmosfærer, såsom ved tilstedeværelse af brændbare væsker, gasser eller støv.** Elværktøj kan slå gnister og antænde støv og

dampe.

- c) **Hold børn og tilskuere på afstand, når et elværktøj er i brug.** Distractioner kan medføre, at du mister kontrollen.

2) SIKKERHED OMKRING ELEKTRICITET

- a) **Stikket på elværktøjet skal passe i stikkontakten. Stikket må på ingen måde ændres. Brug ikke adapterstik sammen med jordede (jordforbundne) elværktøj.** Uændrede stik, der passer til stikkontakterne, nedsætter risikoen for elektrisk stød.
- b) **Undgå kropskontakt med jordforbundne overflader, såsom rør, radiatorer, komfurer og køleskabe.** Der er øget risiko for elektrisk stød, hvis din krop er jordforbundet.
- c) **Elværktøj må ikke udsættes for regn eller våde forhold.** Vand kommer ind et elværktøj øger risikoen for elektrisk stød.
- d) **Ledningen må ikke mishandles. Brug aldrig ledningen til at bære eller trække elværktøjet eller til at trække stikket ud af stikkontakten. Hold ledningen væk fra varme, olie, skarpe kanter og bevægelige dele.** Beskadigede eller sammenfildrede ledninger, øger risikoen for elektrisk stød.
- e) **Når et elværktøj bruges udendørs, skal der bruges en forlængerledning, der er egnet til udendørs brug.** Brug af en egnet ledning til udendørs brug, reducerer risikoen for elektrisk stød.
- f) **Hvis det ikke kan undgås at benytte apparatet i fugtige omgivelser, så brug et stik med fejlstrømsrelæ.** Anvendelse af et fejlstrømsrelæ mindsker risikoen for elektrisk stød.

3) PERSONLIG SIKKERHED

- a) **Vær forsigtig, hold øje med hvad du laver, og brug din sunde fornuft, når du bruger et elværktøj. Brug ikke apparatet, hvis du er træt eller er påvirket af narkotika, alkohol eller medicin.** Et øjeblikks uopmærksomhed, kan føre til alvorlige personskader.
- b) **Brug personligt beskyttelsesudstyr. Brug altid beskyttelsesbriller.** Værnemidler såsom støvmaske, skridsikre sikkerhedssko, hjelm eller høreværn, der anvendes til passende betingelser nedsætter risikoen for personskader.
- c) **Forhindre utilsigtet start. Sørg for, at tænd/slukknappen er slukket, inden apparatet sluttes til strømledningen eller batteripakken, samt inden det løftes op eller bæres rundt.** Hvis elværktøjet bæres med fingeren på kontakten, eller oplades med tænd/slukknappen tændt, øger det risikoen for ulykker.
- d) **Fjern indstillingsværktøj eller skruenøgler, før elværktøjet startes.** En skruenøgle eller en nøgle sidder i en roterende del af elektrisk værktøj, kan resultere i personskade.
- e) **Undgå at række for langt frem. Sørg altid for at stå ordentligt fast og i god balance.** Dette giver bedre kontrol af det elektriske værktøj når uventede situationer.
- f) **Brug passende tøj. Undgå, at bære løstsiddende tøj eller smykker. Hold hår og tøj fra bevægelige dele.** Løse tøj, smykker eller langt hår kan blive fanget i bevægelige dele.
- g) **Hvis der monteres tilbehør til opsamling af støv eller andet, skal det sikres, at disse monteres og bruges korrekt.** Brug af støvindsamlingenheder, kan reducere støv-relaterede risici.

- h) **Selvom du ofte bruger og har et godt kendskab til værktøjer, må du ikke være overmodig eller glemme sikkerhedsprincipperne.** En uagtsom handling kan forårsage alvorlig skade i en brøkdelt af et sekund.
- 4) **BRUG OG PLEJE AF ELVÆRKTØJET**
- a) **Elværktøjet må ikke tvinges under brug. Brug det korrekte elværktøj til formålet.** Det rigtige elværktøj gør arbejdet bedre og mere sikkert, da det er beregnet til formålet.
- b) **Brug ikke elværktøjet, hvis kontakten ikke kan tænde og slukke.** Alt elværktøj, hvor kontakterne ikke dur, er farligt og skal repareres.
- c) **Træk stikket til apparatets strømforsyning ud af stikkontakten og/eller fjern batteripakken hvis dette er muligt, inden du foretager justeringer, skifter tilbehør eller lægger elværktøjet til opbevaring.** Sådanne forebyggende sikkerhedsforanstaltninger mindsker risikoen for at starte elværktøjet utilsigtet.
- d) **Opbevar elværktøj, der ikke bruges, utilgængeligt for børn, og tillad ikke personer, der ikke kender elværktøjet eller disse anvisninger, at bruge elværktøjet.** Elværktøj er farligt i hænderne på brugere, der ikke ved, hvordan det skal bruges.
- e) **Vedligehold elværktøj og tilbehør. Kontroller, at de bevægelige dele ikke er fejljusterede eller binder eller er i en tilstand, der kan påvirke elværktøjets drift. Få beskadigede elværktøjet repareret før brug.** Mange ulykker er forårsaget af dårligt vedligeholdt elværktøj.
- f) **Hold skæreværktøj skarpe og rene.** Skæreværktøjer med skarpe kanter, der vedligeholdes ordentligt, er mindre tilbøjelige til at binde og er lettere at styre.
- g) **Elværktøjet, tilbehør og bits osv. skal bruges i overensstemmelse med disse instruktioner, hvor arbejdsforholdene og arbejdet, der skal udføres, skal tages i betragtning.** Anvendelse af elværktøj til andre formål end dem, de er beregnet til, kan medføre en farlig situation.
- h) **Hold håndtag og gribeblader tørre, rene og fri for olie og fedt.** Glatte håndtag og glatte overflader, der holdes i, gør værktøjet farligt at bruge i uventede situationer.
- 5) **BRUG OG PLEJE AF BATTERIVÆRKTØJER**
- a) **Genoplad kun med opladeren er angivet af fabrikanten.** Hvis en oplader, der er egnet til én slags batteri, bruges med en anden slags batteri, kan det føre til brand.
- b) **Anvend kun elektrisk værktøj med særligt udpegede batteripakker.** Brug af andre batterier kan skabe risiko for personskade og brand.
- c) **Når batteripakken ikke er i brug, skal den holdes væk fra andre metalgenstande som papirclips, mønter, nøgler, søm, skruer eller andre små metalgenstande, der kan skabe forbindelse fra en pol til en anden.** Shorting batteripolerne sammen kan forårsage forbrændinger eller brand.
- d) **Ved forkert brug kan der slippe væske ud af batteriet: Undgå kontakt. Hvis det alligevel skulle ske, skylles med vand. Hvis væsken kommer i øjnene, skal man også søge læge.** Væske fra batteriet kan forårsage irritation eller forbrændinger.
- e) **Anvend ikke et batteri eller et værktøj, der er beskadiget eller modificeret.** Beskadigede eller modificerede batterier kan opføre sig uforudsigeligt og

forårsage brand, eksplosion eller risiko for personskade.

- f) **Udsæt ikke et batteri eller et værktøj for ild eller for høj temperatur.** Udsættelse for ild eller temperaturer over 130 °C kan forårsage eksplosion.
- g) **Følg alle anvisninger vedrørende opladning, og oplad ikke batteriet eller værktøjet uden for temperaturområdet, der står i anvisningerne.** Forkert opladning eller temperaturer uden for det angivne område kan beskadige batteriet og øge risikoen for brand.
- 6) **SERVICE**
- a) **Dit elværktøj skal repareres af en kvalificeret person, og der må kun bruges identiske reservedele.** På denne måde sikrer man, at elværktøjet forbliver sikkert at bruge.
- b) **Udfør aldrig selv service på beskadigede batterier.** Service på batterier må kun udføres af producenten eller godkendte servicecentre.

SIKKERHEDSANVISNINGER TIL DENNE BATTERIDREVEN SLAGNØGLE

- **Hold elværktøjet i de isolerede gribeblader, når der udføres arbejde, hvor skruen kan komme i kontakt med skjulte ledninger** (kontakt med en spændingsførende dele kan også sætte elværktøjets metaldele uden spænding, hvilket kan give brugeren elektrisk stød)

GENERELT

- Støv fra materiale som f.eks. maling, der indeholder bly, nogle træsorter, mineraler og metal kan være skadeligt (kontakt med eller indånding af støvet kan forårsage allergiske reaktioner og/eller sygdomme i luftvejene hos den, der anvender værktøjet, eller hos omkringstående). **Brug en støvmaske og arbejd med en støvudsugningsanordning, hvor en sådan kan sluttes til**
- som kræftfremkaldende (som f.eks. støv fra eg og bøg) især i forbindelse med tilsætningsstoffer til træbehandling. **Brug en støvmaske og arbejd med en støvudsugningsanordning, hvor en sådan kan sluttes til**
- Følg de nationale krav, hvad angår støv, for de materialer, du ønsker at arbejde med
- Bearbejd ikke asbestholdigt materiale (asbest er kræftfremkaldende)
- Sørg for, at retningsknap A ② er i midten (låst) inden værktøjet indstilles eller der skiftes tilbehørsdele eller værktøjet bæres eller lægges fra

TILBEHØR

- SKIL kan kun sikre en korrekt funktion af værktøjet, hvis der benyttes originalt tilbehør
- Der må kun benyttes tilbehør, hvis godkendte omdrejningstal er mindst så højt som værktøjets max. omdrejningstal i ubelastet tilstand

INDEN BRUG

- Undgå skader forårsaget af skruer, søm eller andre materialer i arbejdsstykket; fjern disse før De begynder at arbejde
- **Fastgør emnet** (det er sikrere at holde emner i en fastgøringsanordning eller skruestik end med hånden)
- **Anvend egnede søgeinstrumenter til at finde frem til skjulte forsyningsledninger eller kontakt det lokale forsyningselskab** (kontakt med elektriske ledninger kan føre til brand og elektrisk stød; beskadigelse af en

gasledning kan føre til eksplosion; brud på et vandrør kan føre til materiel skade eller elektrisk stød)

BATTERIER

- **Det medfølgende batteri er delvist opladet** (for at sikre fuld kapacitet af batteriet skal det oplades helt i batteriopladeren, inden du anvender dit elværktøj første gang)
- **Anvend kun de følgende batterier og batteriopladere, der leveres med dette værktøj**
 - SKIL-batteri: BR1*31****
 - SKIL-oplader: CR1*31****
- Brug ikke batteriet, hvis det er beskadiget. Det bør erstattes straks
- Adskil ikke batteriet
- Udsæt ikke værktøjet/batteriet for regn
- Tilladt omgivelsestemperatur (værktøj/oplader/batteri):
 - ved opladning 4...40°C
 - ved drift -20...+50°C
 - ved opbevaring -20...+50°C

FORKLARING TIL SYMBOLERNE PÅ VÆRKTØJET/ BATTERI

- ③ Læs instruktionen inden brugen
- ④ Batterier vil eksplodere, hvis de kommer i ild, så forsøg aldrig at brænde batteriet
- ⑤ Opbevar værktøj/opladeren/batteriet i et lokale, hvor temperaturen ikke overstiger 50°C
- ⑥ Elværktøj og batterier må ikke bortskaffes som almindeligt affald

BETJENING

- Opladning af batteriet
 - ! **Læs sikkerhedsadvarslerne og -anvisningerne, der følger med opladeren**
- Montering/fjernelse af batteriet ②
- Indikator for batteritilstand ⑦
 - Tryk på knappen for batteristand H for at se batteriets aktuelle status ⑦a
 - ! **Når batteri-indikatorens nederste niveau blinker, når der trykkes på knappen H ⑦b, er batteriet tomt.**
 - ! **Når batteri-indikatorens 2. niveau blinker, når der trykkes på knappen H ⑦c, er batteriet uden for den tilladte driftstemperatur.**
- Batteribeskyttelse
 - Værktøjet slukker eller det kan ikke tændes, når
 - **belastning er for høj** --> fjern belastningen og start værktøjet igen
 - **batteritemperaturen er ikke inden for det tilladte område på -20 til +50 °C** -> 2 af trinene på batteri-indikatoren begynder at blinke, når der trykkes på knappen H ⑦c. Vent, indtil batteriet er tilbage inden for det tilladte temperaturområde
 - **batteriet er næsten tomt (for at beskytte mod dyb afladning)** -> batteri-indikatoren viser et lavt batteriniveau eller blinkende lavt batteriniveau ⑦b, når der trykkes på knappen H. Oplad batteriet
 - ! **Undlad at betjene kontakten, efter at der er slukket for værktøjet, da det kan beskadige batteriet**
- Fastgørelse af bæltklemmen ⑧
 - spænd bæltklemmen L fast på nøglen med den medfølgende skrue
- Ændring af drejeretningen ⑨
 - afbryderen E ② kan ikke aktiveres, hvis venstre/højre

stillingen ikke er indstillet nøjagtigt

! ændre kun omdrejningsretningen når værktøjet er standset helt

- Kombineret afbryder for til/fra ⑩ og hastighedskontrol ⑪
 - kontroller hastigheden trinløst fra nul til maks. hastighed ved at trykke mere eller mindre på afbryderen E ②
- LED-lys ⑫
 - LED-lyset tændes ved, at trykke på tænd/sluk-knappen E, eller på LED-lys-knappen F eller funktionsknappen G
 - Tryk på LED-lys-knappen for, at vælge den ønskede lysstyrke:
 - Lav lysstyrke** - slukker ca. 10 sekunder efter, at tænd/sluk-knappen slippes
 - Høj lysstyrke** - slukker ca. 600 sekunder efter, at tænd/sluk-knappen slippes
 - ! **Når LED-lyset begynder at blinke hurtigt, er batteribeskyttelsen slået til (se ovenfor)**
- Valg af funktion ⑬
 - tryk på funktionsknappen G for, at vælge den ønskede funktion:

Lavhastighedsfunktion (lys "1" lyser grøn) ⑬a

- spænder med mindre kraft og lav hastighed
- til små bolte og skruer

Mellemhastighedsfunktion (lys "1 og 2" lyser grøn) ⑬b

- spænder med medium drejningsmoment og hastighed
- til mellemstore skruer

Højhastighedsfunktion (lys "1, 2 og 3" lyser grøn) ⑬c

- spænd med høj kraft og hastighed
- for store skruer og bolte

Omvendt styrefunktion (lys "RM" lyser grøn) ⑬d

- Til løsning af bolte og møtrikker
- stopper, når bolten eller møtrikken løsnes

! kontrolfunktionen kan kun bruges i fremadrettet drejning. Ved bagud-drejning bruges den på mellemhastigheden

! funktionerne kan kun ændres, når grønne LED-lys lyser, og når værktøjet ikke drejer overhovedet

- Montering og afmontering af nøgler ⑭
 - for sætte en nøgle på, skal du blot trykke den på det firkantede drev D
 - for at tage en nøgle af, skal du blot trække den af det firkantede drev D
 - ! **Brug kun nøgler, der passer til det firkantede 3/8" drev ⑭a.**
 - ! **brug adapter-M til stik med 1/2" firkantet drev ⑭b**
 - ! **brug ikke beskadigede nøgler**
- Håndtering og styring af værktøjet ⑮
 - ! **Når værktøjet bruges, skal du altid holde værktøjet på de grå markerede grebsområde(r)**
 - hold ventilationshullerne B ② utildækkede
 - pres ikke for hårdt med værktøjet; lad værktøjet gøre arbejdet for dig

GODE RÅD

- Brug rigtige bits
- Ved iskruning af en skrue nær endeflader eller i endetræ bør der forbores for at undgå splinter i træet
- For at få optimal glæde af værktøjet er det nødvendigt med ed jævn tryk på skruen, især ved udskruring
- Ved iskruning i hårdt træ anbefales det at forbores
- Se yderligere oplysninger på www.skil.com

VEDLIGEHOLDELSE/SERVICE

- Dette værktøj er ikke beregnet til professionelt brug
- Hold altid værktøjet rent (særligt ventilationshullerne B②)
- **! Tag batteriet ud af værktøjet inden rengøring**
- Skulle elværktøjet trods omhyggelig fabrikation og kontrol skulle holde op med at fungere, skal reparationen udføres af et autoriseret serviceværksted for SKIL-elektroværktøj
 - send det ikke adskilte værktøj sammen med et købsbevis til forhandleren eller nærmeste SKIL-serviceværksted (adresser og reservedelstegning af værktøjet findes på www.skil.com)
 - Husk, at beskadigelse som følge af overbelastning eller forkert håndtering af værktøjet ikke er omfattet af garantien (se www.skil.com vedrørende SKIL-garantibetingelserne, eller spørg din forhandler)

MILJØ

- **Elværktøj, batterier, tilbehør og emballage må ikke bortskaffes som almindeligt affald** (kun for EU-lande)
 - i henhold til det europæiske direktiv 2012/19/EF om bortskaffelse af elektriske og elektroniske produkter og gældende national lovgivning, skal brugt elværktøj indsamles separat og bortskaffes på en måde, der skåner miljøet mest muligt
 - symbolet ⑥ erindr dig om dette, når udsifting er nødvendig
- **! Beskyt batteri terminaler med bredt tape for at undgå kortslutning**

STØJ/VIBRATION

- Målt i henhold til EN62841, dette værktøjs lydtrykniveau er 88 dB (A) og lydeffektniveauet er 99 dB (A) (usikkert K = 3 dB) og vibrationen 9,1 m/s² (triaksvektorsum; usikkert K = 1,5 m/s²)
- Vibrationsniveauet er målt i henhold til den standardiserede test som anført i EN62841. Det kan benyttes til at sammenligne to stykker værktøj og som en foreløbig bedømmelse af udsættelsen for vibrationer, når værktøjet anvendes til de nævnte form
 - anvendes værktøjet til andre formål eller med andet eller dårligt vedligeholdt tilbehør, kan dette øge udsættelsesniveauet betydeligt
 - de tidsrum, hvor værktøjet er slukket, eller hvor det kører uden reelt at udføre noget arbejde, kan reducere udsættelsesniveauet betydeligt
- **! Beskyt dig selv imod virkningerne af vibrationer ved at vedligeholde værktøjet og dets tilbehør, ved at holde dine hænder varme og ved at organisere dine arbejdsmonstre**

N

Børsteløs trådløs slagnøkel

3265

INTRODUKSJON

- Dette værktøjet er beregnet for å kjøre inn og løse skruer og bolter
- Dette værktøjet er ikke beregnet for profesjonell bruk
- Når deler mangler eller er skadet, vennligst kontakt din forhandler
- **Les denne bruksanvisningen nøye før bruk og lagre**

den for fremtidig referanse ③

- **Vær spesielt oppmerksom på sikkerhetsinstruksjonene og advarslene; unnlattelse av å følge disse kan føre til alvorlig skade**

TEKNISKE DATA ①

Maks. dreiemoment for hard skruing i henhold til ISO 5393: 250Nm

VERKTØYELEMENTER ②

- A Rotasjonsretningsvelger (forover/senterlås/revers).
- B Ventilasjonsåpninger
- C LED lys
- D Firkantet stasjon
- E Bryter for av/på og hastighetskontroll
- F LED-lysknapp
- G Modusknapp
- H Knapp for batterinivåindikator
- J Bit lagringsplass
- K Stoppfesteområde
- L Belteklips
- M Adapter*

*IKKE STANDARD INKLUDERT

SIKKERHET

GENERELLE SIKKERHETSADVARSLER FOR ELEKTROVERKTØY

⚠ ADVARSEL Les alle sikkerhetsadvarslar, instruksjoner, illustrasjoner og spesifikasjoner som følger med dette elektroverktøyet. Hvis du ikke følger alle instruksjonene nedenfor, kan det føre til elektrisk støt, brann og/eller alvorlig personskade.

Lagre alle advarslar og instruksjoner for fremtidig referanse.

Begrepet "elektroverktøy" i advarslene refererer til det elektriske verktøyet med ledning eller batteridrevet (batteridrevet).

1) SIKKERHET I ARBEIDSRÅDET

- a) **Hold arbeidsområdet rent og godt opplyst.** Rotete eller mørke områder gjør at ulykker lettere oppstår.
- b) **Ikke bruk maskinen i eksplosjonsfarlige omgivelser, for eksempel der det finnes brennbare væsker, gasser eller støv.** Elektroverktøy lager gnister som kan antenne støv eller damp.
- c) **Hold barn og andre personer unna når elektroverktøyet er i bruk.** Distraksjoner kan føre til at du mister kontrollen.

2) ELEKTRISK SIKKERHET

- a) **Støpselet til elektroverktøyet må passe inn i stikkkontakten. Støpselet må ikke modifiseres på noen som helst måte. Ikke bruk adapterstøpsler sammen med jordede elektroverktøy.** Støpsler det ikke er gjort endringer med og riktige stikkontakter reduserer risikoen for elektrisk støt.
- b) **Unngå kroppskontakt med jordete overflater som rør, radiatorer, komfyrer og kjøleskap.** Det er økt risiko for elektrisk støt hvis kroppen din er jordet.

- c) **Ikke utsett elektroverktøy for regn eller våte omgivelser.** Kommer det vann inn i et elektroverktøy, øker risikoen for elektrisk støt.
 - d) **Ikke utsett ledningen for feil behandling. Unngå å bære eller dra i verktøyet ved hjelp av ledningen, eller å dra i ledningen når du skal ta verktøyet ut av stikkkontakten. Hold ledningen på avstand fra varme, olje, skarpe kanter og bevegelige deler.** Skadede eller sammenfiltrede ledninger økte risikoen for elektrisk støt.
 - e) **Når du bruker et elektroverktøy utendørs må du bruke skjøteledning som er godkjent for dette.** Bruk av ledning som er egnet for utendørs bruk reduserer risikoen for elektrisk støt.
 - f) **Hvis du ikke kan unngå å bruke verktøyet i fuktige omgivelser, så benytt en jordfeilbryter.** Bruk av jordfeilbryter reduserer risikoen for elektrisk støt.
- 3) PERSONLIG SIKKERHET**
- a) **Vær årvåken, se hva du gjør, og følg sunn fornuft når du bruker et elektroverktøy. Ikke bruk elektroverktøy når du er trøtt eller er påvirket av narkotika, alkohol eller medikamenter.** Et øyeblikks uoppmerksomhet mens du bruker elektroverktøy kan føre til alvorlige personskader.
 - b) **Bruk personlig verneutstyr. Bruk alltid vernebriller.** Verneutstyr som støvmaske, sklisliske sko, hard hatt eller hørselvern som brukes under passende forhold, reduserer personskader.
 - c) **Unngå utilsikket oppstart. Pass på at bryteren er i av-stilling før du kobler til strømkilden og/eller batteripakken, eller når du løfter og bærer verktøyet.** Bærer du elektroverktøy med fingeren på bryteren eller kobler det til strømkilden mens bryteren står i på-posisjon, vil det øke faren for ulykker.
 - d) **Fjern eventuelle justeringsnøkler før du slår på elektroverktøyet.** Et verktøy eller en nøkkel som sitter igjen i en roterende del av elektroverktøyet, kan føre til personskade.
 - e) **Ikke strekk deg for langt. Pass på å ha skikkelig fotfeste og balanse til enhver tid.** Dette muliggjør bedre kontroll over elektroverktøyet i uventede situasjoner.
 - f) **Kle deg riktig. Ikke bruk løstsittende klær eller smykker. Hold hår og klær på avstand fra bevegelige deler.** Løse klær, smykker eller langt hår kan sette seg fast i bevegelige deler.
 - g) **Hvis det følger med utstyr for tilkopling av støvavsug og oppsamlingsutstyr, skal disse kobles til og brukes riktig.** Bruk av støvopsamlingsutstyr kan redusere støvrelaterte farer.
 - h) **Selv om du har opparbeidet deg erfaring gjennom hyppig bruk av verktøyet må du alltid være årvåken og følge sikkerhetsinstruksjonene.** Et ørlite øyeblikks uoppmerksomhet er alt som skal til for at alvorlige personskader kan oppstå.
- 4) BRUK OG VEDLIKEHOLD AV ELEKTROVERKTØY**
- a) **Ikke legg press på elektroverktøyet. Bruk et elektroverktøy som er egnet for det du skal gjøre.** Et egnet elektroverktøy vil gjøre jobben på en bedre og tryggere måte, i den hastigheten verktøyet er konstruert for.
 - b) **Ikke bruk elektroverktøyet hvis bryteren ikke slår det på og av.** Elektroverktøy som ikke kan kontrolleres med bryteren er farlig og må repareres.
 - c) **Koble støpselet fra strømkilden og/ eller fjern**

- batteripakken, hvis den kan tas av, fra verktøyet før du foretar justeringer, skifter tilbehør eller lagrer elektroverktøy.** Slike forebyggende trygge tiltak reduserer risikoen for å starte elektroverktøyet ved et uhell.
 - d) **Oppbevar elektroverktøy utilgjengelig for barn, og ikke la personer som ikke er kjent med verktøyet eller disse instruksjonene, betjene maskinen.** Elektroverktøy er farlige når de brukes av uerfarne personer.
 - e) **Elektroverktøy og tilbehør må vedlikeholdes. Se etter feil justering eller binding av bevegelige deler, brudd på deler og andre forhold som kan påvirke verktøyet. Hvis det er skadet, må elektroverktøyet repareres før bruk.** Mange ulykker forårsakes av elektroverktøy som ikke er godt vedlikeholdt.
 - f) **Hold skjæreverktøyet skjerpet og rent.** Riktig vedlikehold av skjæreverktøyet med skarpe kanter gjør at det er mindre sannsynlighet for oppbinding, og at det er lettere å kontrollere.
 - g) **Bruk elektroverktøy, tilbehør, bits, osv. i henhold til disse anvisningene, og ta hensyn til omgivelsene og arbeidet som skal utføres.** Bruk av elektroverktøy til andre formål enn det som er angitt, kan føre til farlige situasjoner.
 - h) **Hold håndtakene og gripeflatene tørre, rene og fri for olje og fett.** Glatte håndtak og gripeflater vil gjøre det vanskelig å kontrollere verktøyet og håndtere det på en sikker måte i uventede situasjoner.
- 5) BRUK OG VEDLIKEHOLD AV BATTERIVERKTØY**
- a) **Lades bare med ladere som er spesifisert av produsenten.** En lader som passer for én type batteripakke, kan gi brannfare dersom den brukes med andre batteripakker.
 - b) **Elektroverktøyet skal bare brukes med spesifiserte batteripakker.** Bruk av andre batteripakker kan skape risiko for skader og brann.
 - c) **Når batteriet ikke er i bruk skal det holdes unna andre metallgjenstander som binders, mynter, nøkler, spikere, skruer eller andre små metallgjenstander som kan lage forbindelse fra én terminal til en annen.** Kortslutning av batteripolene kan forårsake brannskader eller brann.
 - d) **Under farlige forhold kan væske komme ut av batteriet. Unngå kontakt. Hvis kontakt oppstår ved et uhell, skyl med vann. Får du væske i øynene, skal det i tillegg søkes medisinsk hjelp.** Væske som blir slynget ut av batteriet, kan forårsake iritasjon eller brannskader.
 - e) **Ikke bruk en batteripakke eller et verktøy som er skadet eller tilpasset.** Skadde eller modifiserte batterier kan oppføre seg uforutsigbart og medføre brann, eksplosjon eller risiko for personskade.
 - f) **Ikke eksponer batteripakken eller verktøyet for ild eller svært høye temperaturer.** Eksponering for ild eller temperaturer over 130 °C kan forårsake eksplosjon.
 - g) **Følg alle ladeinstruksjonene og ikke lad batteriet eller verktøyet utenfor temperaturområdet som er angitt i instruksjonene.** Hvis batteriet lades på feil måte eller ved temperaturer som er utenfor det angitte området, kan batteriet bli skadet og brannrisikoen øke.
 - 6) **SERVICE**

- a) **Elektroverktøyet må repareres av et kvalifisert serviceverksted som kun bruker identiske reservedeler.** Dette opprettholder sikkerheten til elektroverktøyet.
- b) **Batteripakker som er skadet, må aldri brukes.** Service på batteripakker må bare utføres av produsenten eller autoriserte tjenesteleverandører.

SIKERHETSINSTRUKSJONER FOR TRÅDLØS SLAG NØKKELE

- **Hold elektroverktøyet i de isolerte gripeflatene når du utfører en operasjon der festet kan komme i kontakt med skjulte ledninger** (feste som kommer i kontakt med en "strømførende" ledning kan gjøre eksponerte metalldele på elektroverktøyet "strømførende" og kan gi operatøren et elektrisk støt)

GENERELL

- Støv fra materialer som maling som inneholder bly, enkelte tresorter, mineraler og metall kan være skadelig (kontakt med eller innånding av støvet kan forårsake allergiske reaksjoner og/eller luftveissykdommer hos operatøren eller tilskuere); **bruk støvmaske og arbeid med en støvavsugingsenhet når den kan kobles til**
- Visse typer støv er klassifisert som kreftfremkallende (som eik og bøkstøv), spesielt i forbindelse med tilsetningsstoffer for trebehandling; **bruk støvmaske og arbeid med en støvavsugingsenhet når den kan kobles til**
- Følg de nasjonale krav, når det gjelder støv for de materialer du ønsker å arbeide med
- Ikke bearbeid materialer som inneholder asbest (asbest anses som kreftfremkallende)
- Sørg for at rotasjonsretningsvelgeren A② er i midtstilling (låst) før du foretar justeringer eller bytter tilbehør, samt når du bærer eller oppbevarer verktøyet

TILBEHØR

- SKIL kan kun sikre feilfri funksjon av verktøyet når originalt tilbehør brukes
- Bruk kun tilbehør med en tillatt hastighet som samsvarer med den høyeste tomgangshastigheten til verktøyet

FØR BRUK

- Unngå skader som kan forårsakes av skruer, spiker og andre elementer i arbeidsstykket ditt; fjern dem før du begynner å jobbe
- **Sikre arbeidsstykket** (et arbeidsstykke som er fastklemt med klemanordninger eller i en skrustikke holdes sikrere enn for hånd)
- **Bruk egnede detektorer for å finne skjulte ledninger eller ring det lokale forsyningselskapet for å få hjelp** (kontakt med elektriske ledninger kan føre til brann eller elektrisk støt; skade på en gassledning kan resultere i en eksplosjon; penetrering av et vannrør vil forårsake skade på eiendom eller en elektrisk sjokk)

BATTERIER

- **Batteriet som følger med er delvis oppladet** (for å sikre full kapasitet på batteriet, lad batteriet helt opp i batteriladeren før du bruker elektroverktøyet for første gang).
- **Bruk kun følgende batterier og ladere med dette verktøyet**
 - SKIL-batteri: BR1*31****
 - SKIL-lader: CR1*31****
- Ikke bruk batteriet når det er skadet; den bør skiftes ut umiddelbart

- Ikke demonter batteriet
- Ikke utsett verktøyet/batteriet for regn
- Tillatt omgivelsestemperatur (verktøy/lader/batteri):
 - ved lading 4...40 °C
 - under drift -20 ...+50 °C
 - ved lagring -20 ...+50 °C

FORKLARING AV SYMBOLER PÅ VERKTØY/BATTERI

- ③ Les instruksjonsboken for bruk
- ④ Batterier kan eksplodere når de kastes i brann, så ikke brenn batteriet av en eller annen grunn
- ⑤ Oppbevar verktøy/lader/batteri på steder der temperaturen ikke overstiger 50 °C
- ⑥ Ikke kast elektriske verktøy og batterier sammen med husholdningsavfall

BRUK

- Batteriladning
 - ! **les sikkerhetsadvarslene og instruksene levert med laderen**
- Fjerne/installere batteriet ②
- Batterinivåindikator ⑦
 - trykk på batterinivåindikatorknappen H for å vise gjeldende batterinivå ⑦a
 - ! **når det laveste nivået på batteriindikatoren begynner å blinke etter å ha trykket på knappen H⑦b, er batteriet tomt**
 - ! **når 2 nivåer av batteriindikatoren begynner å blinke etter å ha trykket på knappen H⑦c, er batteriet ikke innenfor det tillatte driftstemperaturområdet**
- Batteribeskyttelse
 - Verktøyet blir plutselig slått av eller blir forhindret fra å startes når
 - **lasten er for høy** --> fjern lasten og start på nytt
 - **batteritemperaturen er ikke innenfor det tillatte driftstemperaturområdet på -20 til +50°C** -->2 nivåer av batterinivåindikatoren begynner å blinke når du trykker på knappen H⑦c; vent til batteriet er tilbake innenfor det tillatte driftstemperaturområdet
 - **batteriet er nesten tomt (for å beskytte mot dyp utlading)** --> lavt batterinivå eller blinkende lavt batterinivå ⑦b vises av batterinivåindikatoren når du trykker på knappen H; lade batteriet
 - ! **ikke fortsett å trykke på av/på-bryteren etter at verktøyet er slått av automatisk; batteriet kan være skadet**
- Feste belteklips ⑧
 - fest belteklipsen L til skiftenøkkelen med den medfølgende skruen
- Endring av rotasjonsretning ⑨
 - når den ikke er riktig satt i venstre/høyre posisjon, kan ikke bryter E② aktiveres
 - ! **endre rotasjonsretning kun når verktøyet står helt stille**
- Kombinert bryter for på/av ⑩ og hastighetskontroll ⑪
 - kontroller hastigheten trinnløst fra null til maksimum ved å legge mindre eller mer press på E②
- LED-lys ⑫
 - LED-lys slås på når du aktiverer på/av-bryter E, eller trykker på enten LED-lysknapp F eller modusknapp G
 - Trykk på LED-lysknappen for å velge ønsket lysstyrke: **Lav lysstyrke** - slår seg av ca. 10 sekunder etter at av/

på-bryteren slippes

Høy lysstyrke - slår av ca. 600s etter at av/på-bryteren slippes

! Når LED-lyset begynner å blinke raskt, aktiveres batteribeskyttelsen (se ovenfor)

- Modusvalg ¹³

- trykk på modusknappen G for å velge ønsket modus:

Lavhastighetsmodus (lys "1" lyser grønt) ^{13a}

- tiltrekking med mindre dreiemoment og lav hastighet

- for små bolter og skruer

Middels hastighetsmodus (lampene "1&2" lyser grønt) ^{13b}

- stram med middels dreiemoment og hastighet

- for skruene i middels kraftig bruk

Høyhastighetsmodus (lampene "1&2&3" lyser grønt) ^{13c}

- stramming med høy kraft og hastighet

- for store skruer og bolter

Omvendt kontrollmodus (lys "RM" lyser grønt) ^{13d}

- for å løsne bolter og muttere

- stopper når bolten eller mutteren løsnes

! kontrollmodus er kun tilgjengelig med omvendt rotasjon; i foroverrotasjon brukes den til høy hastighet

! moduser kan bare endres når grønne LED(er) er aktivert og når verktøyet står helt stille

- Installerer og fjerner stikkontakter ¹⁴

- for å installere en stikkontakt, skyv den ganske enkelt inn på firkantet stasjon D

- for å fjerne en stikkontakt, trekk den av firkantet stasjon D

! bruk kun stikkontakter med en 3/8" firkantet stasjon ^{14a}

! bruk adapter M for stikkontakter med en 1/2" firkantet stasjon ^{14b}

! ikke bruk skadede stikkontakter

- Holdt og lede verktøyet ¹⁵

! mens du arbeider, hold alltid verktøyet ved det/de gråfargede grepsområdene(e)

- hold ventilasjonsåpningene B ² utildekket

- ikke legg for mye press på verktøyet; la verktøyet gjøre jobben for deg

SØKNADSRÅD

- Bruk de riktige bitene
- Ved skruing ute ved materialkanten er det en fordel å forbore for å unngå at materialet sprekker
- For at du skal ha full nytte av verktøyet er det nødvendig med et svakt press mot skruen, spesielt ved utskruing
- Som skrutrekker ved anvendelse i hardt tre anbefaler vi å bore et styrehull først
- Hvis du vil ha mer informasjon, kan du se www.skil.com

VEDLIKEHOLD / SERVICE

- Dette verktøyet er ikke beregnet for profesjonell bruk
- Hold alltid verktøyet rent (spesielt ventilasjonsåpninger B ²)

! Fjern batteriet fra verktøyet før rengjøring

- Hvis verktøyet skulle svikte til tross for forsiktighet i produksjons- og testprosedyrene, bør reparasjonen utføres av et ettersalgsservicesenter for SKIL elektroverktøy

- send verktøyet umontert sammen med kjøpsbevis til din forhandler eller nærmeste SKIL-servicesasjon

(adresser samt serviceskjema for verktøyet er oppført på www.skil.com)

- Vær klar over at skade som skyldes overbelastning eller feilbehandling av verktøyet ikke dekkes av garanti (for SKIL garantibetingelser se www.skil.com eller spør din forhandler)

MILJØ

- **Ikke kast elektrisk verktøy, batterier, tilbehør og emballasje sammen med husholdningsavfall** (bare for EU -land)

- i henhold til EU-direktiv 2012/19/EF om kasserte elektriske og elektroniske produkter og direktivets iverksettning i nasjonal rett, må elektroverktøy som ikke lenger skal brukes, samles separat og returneres til et miljøvennlig gjenvinningsanlegg

- symbolet ⁶ vil minne deg på dette når behovet for avhending oppstår

! Beskytt batteripolene med kassett for kassering for å unngå kortslutning

STØY/VIBRASJON

- Målt i samsvar med EN62841 er lydtrykknivået til dette verk88t 88 dB(A) og lydeffektnivået 99 dB(A) (usikkerhet K = 3 dB), og vibrasjonen 9,1 m/s² (triakset vektorsum; usikkerhet K) = 1,5 m/s²)

- Vibrasjonsutslippsnivået er målt i henhold til en standardisert test gitt i EN62841; det kan brukes til å sammenligne ett verktøy med et annet og som en foreløpig vurdering av eksponering for vibrasjoner ved bruk av verktøyet til de nevnte bruksområdene
- bruk av verktøyet til forskjellige bruksområder, eller med annet eller dårlig vedlikehold tilbehør, kan øke eksponeringsnivået betydelig
- tidspunktene når verktøyet er slått av eller når det kjøres, men ikke faktisk gjør jobben, kan redusere eksponeringsnivået betydelig

! Beskytt deg selv mot vibrasjonseffekter ved å vedlikeholde verktøyet og dets tilbehør, holde hendene varme og organisere arbeidsmønstrene dine

FIN

Harjaton akkukäyttöinen iskuavain

3265

ESITTELY

- Tämä työkalu on tarkoitettu ruuvien ja pulttien kiristämiseen ja irrottamiseen
- Tätä työkalua ei ole tarkoitettu ammattikäyttöön
- Jos osia puuttuu tai on vioittunut, ota yhteyttä jälleenmyyjään
- **Lue tämä ohjekirja huolella ennen käyttöä ja pidä se tallella tulevia tarpeita varten ³**
- **Kiinnitä erityistä huomiota turvallisuutta koskeviin ohjeisiin ja varoituksiin. Niiden laiminlyönti voi aiheuttaa vakavan loukkaantumisen.**

TEKNISET TIEDOT ¹

Maks. vääntömomentti kovalle ruuvauskäytölle ISO 5393:n mukaan: 250Nm

TYÖKALUN OSAT ②

- A Pyörimissuunnan valitsin (eteenpäin / lukitus keskelle / taaksepäin)
- B Ilmanvaihto-aukot
- C LED-valo
- D Neliövääntö
- E On/off- ja nopeudensäätökytkin
- F LED-valopainike
- G Tilapainike
- H Akun varaustason ilmaisinpainike
- J Kärkien säilytysalue
- K Hihnan kiinnitysalue
- L Vyökiinnike
- M Adapteri*

*EI SISÄLLY VAKIOTOIMITUKSEEN

TURVALLISUUS

YLEISET SÄHKÖTYÖKALUJEN TURVALLISUUSVAROITUKSET

VAROITUS Lue kaikki tämän sähkötyökalun mukana tulleet turvallisuusvaroitukset, ohjeet, piirustukset ja tekniset tiedot. Jos kaikkia alla olevia ohjeita ei noudateta, seurauksena saattaa olla sähköisku, tulipalo ja/tai vakava loukkaantuminen.

Säilytä kaikki varoitukset ja ohjeet myöhempää käyttöä varten.

Varoituksissa käytetty termi "sähkötyökalu" tarkoittaa joko verkkovirtakäyttöistä (johdollista) sähkötyökalua tai akkukäyttöistä (johdotonta) sähkötyökalua.

1) TYÖALUEEN TURVALLISUUS

- a) Pidä työskentelyalue siistinä ja hyvin valaistuna. Sotkuiset tai hämärät alueet aiheuttavat onnettomuuksia.
- b) Älä käytä sähkötyökaluja räjähdysriskissä ympäristössä, kuten syttyvien nesteiden, kaasujen tai pölyn läheisyydessä. Sähkötyökalut saattavat aiheuttaa kipinöitä, jotka voivat sytyttää tomun tai höyryjä.
- c) Älä päästä lapsia tai sivullisia lähelle, kun käytät sähkötyökaluja. Häiriötekijät voivat aiheuttaa hallinnan menettämisen.

2) SÄHKÖTURVALLISUUS

- a) Sähkötyökalun pistotulpan on vastattava pistorasiaa. Älä ikinä muokkaa pistotulppaa millään tavalla. Älä käytä minkäänlaisia sovintipistotulppia maadoitettujen sähkötyökalujen kanssa. Muokkaamattomat pistotulpat ja niihin sopivat pistorasiat vähentävät sähköiskun vaaraa.
- b) Vältä koskemasta vartaloilasi maadoitettuihin pintoihin, kuten putkiin, lämmityspattereihin, liesiin ja jääkaappeihin. Sähköiskun riski kasvaa, jos kehosi on maadoitettu.
- c) Älä altista sähkötyökaluja sateelle tai kosteudelle. Sähkötyökaluun pääsevä vesi lisää sähköiskun vaaraa.
- d) Älä väärinkäytä johtoa. Älä koskaan kannata tai vedä

laitetta johdosta tai irrota pistoketta pistorasiasta johdosta vetämällä. Pidä johto poissa tulen, öljyn, terävien reunojen tai liikkuvien osien läheltä.

Vahingoittuneet tai sotkeutuneet johdot lisäävät sähköiskun riskiä.

- e) Kun käytät sähkötyökalua ulkona, käytä ulkokäyttöön tarkoitettua jatkojohtoa. Ulkokäyttöön tarkoitettun jatkojohdon käyttö vähentää sähköiskun riskiä.
 - f) Jos et voi välttää sähkötyökalun käyttöä kosteissa olosuhteissa, käytä vikavirtasuojakytkimellä (vvsk) suojattua virtalähdettä. Vikavirtasuojakytkimen käyttö vähentää sähköiskun vaaraa.
- ### 3) HENKILÖKOHTAINEN TURVALLISUUS
- a) Ole valpas, tarkkaavainen ja käytä maalaisjärkeä, kun käytät sähkötyökalua. Älä käytä sähkötyökalua, jos olet väsynyt tai huumeiden, alkoholin tai lääkkeiden vaikutuksen alaisena. Hetkellinenkin huomion herpaantuminen sähkötyökalua käytettäessä saattaa aiheuttaa vakavan henkilökohtaisen vamman.
 - b) Käytä henkilönsuojaimia. Käytä aina silmäsuojaimia. Tarvittaessa käytettävät suojavarusteet, kuten hengityssuojain, liukesteelliset turvakengät, suojakypärä tai kuulonsuojaimet, vähentävät henkilövahinkoja.
 - c) Estä vahingossa käynnistymisen. Varmista, että kytkin on off-asennossa, ennen kuin liität virtalähteen ja/tai akun, nosta laitteen tai kannat sitä. Sähkötyökalujen kantaminen niin, että sormesi on kytkimellä, tai sähkötyökaluihin virran kytkeminen kytkin päällä voi aiheuttaa onnettomuuksia.
 - d) Poista kaikki säätöön käytetyt avaimet tai kiintoavaimet ennen kuin käynnistät sähkötyökalun. Sähkötyökalun pyöriivään osaan jätetty avain tai kiintoavain saattaa aiheuttaa henkilövamman.
 - e) Älä kurkottele. Säilytä aina tukeva asento ja hyvä tasapaino. Näin hallitset sähkötyökalun parhaalla mahdollisella tavalla odottamattomissa tilanteissa.
 - f) Pukeudu asianmukaisesti. Älä käytä väljiä vaatteita tai koruja. Pidä hiukset ja vaatteet etäällä liikkuvista osista. Väljät vaatteet, korut tai pitkät hiukset voivat takertua liikkuviin osiin.
 - g) Jos laitteissa on liitännät pölynpoistolaitteille ja keräilylaitteille, varmista, että ne on liitetty ja niitä käytetään oikein. Pölynpoistolaitteiden käyttö vähentää pölyn liittyviä vaaroja.
 - h) Älä anna tuotteen tuttuuden toistuvan käytön takia tehdä sinua liian itsevarmaksi, äläkä jätä työkalun turvallisuusohjeita noudattamatta. Huolimaton toiminta voi aiheuttaa vakavan henkilövahingon sekunnin murto-osassa.
- ### 4) SÄHKÖTYÖKALUJEN KÄYTTÖ JA KUNNOSSAPITO
- a) Älä pakota sähkötyökalua. Käytä omaan käyttötarkoitukseesi soveltuvaa sähkötyökalua. Oikea sähkötyökalu suorituu parhaiten ja turvallisimmin tehtävästä sille tarkoitettulla nopeudella.
 - b) Älä käytä sähkötyökalua, jos sitä ei saa käynnistettyä ja suljettua kytkimellä. Sähkötyökalun, jota ei voida hallita kytkimellä, käyttö on vaarallista ja laite on korjattava.
 - c) Irrota pistotulppa virtalähteestä ja/tai irrota akku sähkötyökalusta, jos irrottavissa, ennen kuin teet mitään säätöjä, vaihdat apuvälineitä tai laitat sähkötyökalun varastoon. Nämä estävät

turvallisuustoimenpiteet vähentävät sähkötyökalun vahingossa käynnistymisen riskiä.

- d) **Säilytä käyttämättömiä sähkötyökaluja lasten ulottumattomissa, äläkä anna henkilöiden, jotka eivät tunne sähkötyökalua tai näitä ohjeita, käyttää sähkötyökalun.** Sähkötyökalut ovat vaarallisia kokemattomien käyttäjien käsissä.
- e) **Huolla sähkötyökalut ja lisävarusteet. Tarkista, että liikkuvat osat ovat kunnolla paikallaan, että osat ovat ehjiä, ja että sähkötyökalussa ei ole muita ongelmia, jotka saattaisivat vaikuttaa sen toimintaan. Jos sähkötyökalu on vahingoittunut, korjautu se ennen käyttöä.** Monet onnettomuudet johtuvat huonosti ylläpidetyistä sähkötyökaluista.
- f) **Pidä leikkuutyökalut terävinä ja puhtaina.** Oikein huolletut leikkuutyökalut, joissa on terävät leikkureunat, eivät todennäköisesti jumiuudu, ja niitä on helpompi hallita.
- g) **Käytä sähkötyökaluja, lisävarusteita ja teriä ym. näiden ohjeiden mukaisesti ja niin, että otat huomioon käyttöolosuhteet ja tehtävän työn.** Sähkötyökalujen käyttö muihin kuin niille suunniteltuihin tarkoituksiin saattaa aiheuttaa vaaratilanteen.
- h) **Pidä kahvat ja tartuntapinnat kuivina, puhtaina, öljyttöminä ja rasvattomina.** Liukkaat kahvat ja tartuntapinnat eivät mahdollista työkalun turvallista käsittelyä ja hallintaa odottamattomissa tilanteissa.
- 5) **AKKUYÖKALUN KÄYTTÖ JA KUNNOSSAPITO**
- a) **Lataa vain valmistajan määrittelemällä laturilla.** Laturi, joka sopii yhdyntyyppiselle akulle voi aiheuttaa tulipalovaaran, jos sitä käytetään toisenlaisen akun kanssa.
- b) **Käytä sähkötyökaluissa vain erityisesti niihin tarkoitettuja akkuja.** Muunlaisten akkujen käyttö saattaa aiheuttaa henkilövahingon tai tulipalon vaaran.
- c) **Kun akku ei ole käytössä, pidä se erillään metalliesineistä, kuten paperiliittimet, kolikot, avaimet, naulat, ruuvit ja muut pienet metalliesineet, jotka voivat yhdistää akun navat toisiinsa.** Akun napojen oikosulku voi aiheuttaa palovammoja tai tulipalon.
- d) **Akusta voi valua nestettä väärästä käytöstä johtuen. Vältä kosketusta nesteeseen. Jos kosketusteeseen vahingossa, huuhdtele vedellä. Jos nestettä pääsee silmiin, hakeudu lääkäriin hoitoon.** Akusta valuva neste voi aiheuttaa ärsytystä tai palovammoja.
- e) **Älä käytä akkua tai työkalua, joka on vaurioitunut tai jota on muutettu.** Vaurioituneet tai muutetut akut voivat käyttäytyä arvaamattomasti ja aiheuttaa tulipalon, räjähdyksen tai henkilövahingon vaaran.
- f) **Älä altista akkua tai työkalua tullelle tai äärimmäisille lämpötiloille.** Altistaminen yli 130 °C:n lämpötilalle voi aiheuttaa räjähdyksen.
- g) **Noudata kaikkia latausohjeita, äläkä lataa akkua tai työkalua lämpötilassa, joka ei ole ohjeissa ilmoitetun lämpötila-alueen sisällä.** Virheellinen lataaminen tai lataaminen ilmoitetun lämpötila-alueen ulkopuolella olevassa lämpötilassa voi vaurioittaa akkua ja lisätä palovaaraa.
- 6) **HUOLTO**
- a) **Huollata sähkötyökalusi asiantuntevalla korjaajalla,**

joka käyttää vain identtisiä varaosia. Näin taataan sähkötyökalun turvallisuuden säilyminen.

- b) **Älä koskaan huolla vaurioituneita akkuja.** Akkujen huollon saa tehdä vain valmistaja tai sen valtuuttamat huoltoliikkeet.

AKKUKÄYTTÖISEN ISKUVAIMEN TURVALLISUUSOHJEET

- **Pitele sähkötyökalua eristetyistä tartuntapinnoista, kun suoritat toimenpiteitä, joissa kiinnitin voi koskettaa piilotettuja johtoja** ("jännitteeseen" johtoon osuva kiinnitin voi saada sähkötyökalun paljaat metalliosat "jännitteiksi" ja käyttäjä voi saada sähköiskun)

YLEISTÄ

- Sellaisista materiaaleista, kuten lyijypitoinen maali, jotkin puulajit, mineraalit ja metalli, tuleva pöly voi olla vahingollista (pölyn kanssa kosketuksiin joutuminen tai sen sisään hengittäminen voi aiheuttaa käyttäjälle tai sivullisille allergiareaktioita ja/tai hengityselinten sairauksia); **käytä hengityssuojainta ja työskentele pölynpoistolaitteen kanssa, kun sellainen on liitettävissä**
- Tietyntyypiset pölyt on luokiteltu karsinogeenisiksi (kuten tammi- ja pyökkipöly) erityisesti puun käsittelyyn käytettävien lisäaineiden yhteydessä; **käytä hengityssuojainta ja työskentele pölynpoistolaitteen kanssa, kun sellainen on liitettävissä**
- Noudata maakohtaisia pölyn liittyviä sääntöjä
- Älä koskaan työstä asbestipitoista ainetta (asbestia pidetään karsinogeenisena)
- Varmista, että pyörimissuunnan valitsin A ② on keskellä (lukitus)asennossa, ennen kuin suoritat säätöjä, vaihdat varusteita, kannat työkalua tai siirrät sen varastoon

VARUSTEET

- SKIL pystyy takaamaan työkalun moitteettoman toiminnan vain, kun käytetään alkuperäisiä varusteita
- Käytä vain varusteita, joiden suurin sallittu nopeus vastaa työkalun suurinta tyhjäkäyntinopeutta

ENNEN KÄYTTÖÄ

- Vältä vaaralliset vahingot, jotka voivat aiheutua nauoista, ruuveista tai muista aineista työstettävissä materiaalissa; poista ne ennen työskentelyn aloittamista
- Kiinnitä työstettävä kappale (kiinnittimeen tai puristimeen kiinnitetty työstettävä kappale pysyy tukevammin paikoillaan kuin käsin pidettäessä)
- Käytä sopivia etsintälaitteita piilossa olevien syöttöjohtojen paikallistamiseksi tai käänny paikallisen jakeluyhtiön puoleen (kosketus sähköjohtoon saattaa johtaa tulipaloon ja sähköiskuun; kaasuputken vahingoittaminen saattaa johtaa räjähdykseen; vesiputken tunkeutuminen aiheuttaa aineellista vahinkoa tai saattaa johtaa sähköiskuun)

AKTU

- **Akku toimitetaan osittain ladattuna** (varmista akun suoritusteho lataamalla akku aivan täyteen akkulaturilla ennen sähkötyökalun ensimmäistä käyttökertaa).
- **Käytä työkalun kanssa vain seuraavia akkuja ja latureita**
 - SKIL-akku: BR1*31****
 - SKIL-laturi: CR1*31****
- Älä käytä vahingoittunutta akkua, vaan vaihda se välittömästi
- Älä pura akkua
- Suojaa työkalu/akku sateelta

- Sallittu ympäristön lämpötila (työkalu/laturi/akku):
 - ladattaessa 4...40 °C
 - käytön aikana -20...+50 °C
 - varastoinnin aikana -20...+50 °C

TYÖKALUN/AKUN SYMBOLIEN SELITYKSET

- ③ Lue käyttöohjeet ennen käyttöä
- ④ Akut räjähtävät, jos ne hävitetään polttamalla, joten älä missään tapauksessa polta niitä
- ⑤ Säilytä työkalua/laturia/akkua paikoissa, joissa lämpötila ei ole yli 50 °C
- ⑥ Älä hävitä sähkötyökaluja ja akkuja tavallisen kotitalousjätteen mukana

KÄYTTÖ

- Akun lataaminen
 - ! lue kaikki laturin mukana tulevat turvallisuusvaroitukset ja -ohjeet
- Akun irrottaminen/asentaminen ②
- Akun lataustilan ilmaisin ⑦
 - näet akun nykyisen varaustason painamalla akun lataustilan ilmaispainiketta ⑦a
 - ! kun akun ilmaisimen alin taso alkaa vilkkua painikkeen H⑦b painamisen jälkeen, akku on tyhjä
 - ! kun akun ilmaisimen 2 tasoa alkaa vilkkua painikkeen H⑦c painamisen jälkeen, akku ei ole sallitulla käyttölämpötila-alueella
- Akun suojaus
 - Työkalu sammuu automaattisesti tai sitä ei voi kytkeä päälle, jos
 - kuormitus on liian suuri -> vähennä kuormitusta ja käynnistä uudelleen
 - akun lämpötila ei ole sallitulla käyttölämpötila-alueella -20...+50 °C --> 2 akun varaustason valoa alkaa vilkkua, kun painat painiketta H⑦c; odota, kunnes akku on sallitulla käyttölämpötila-alueella uudelleen
 - akku on lähes tyhjä (suojaus syväpurkautumista vastaan) --> alhainen akun varaustaso tai vilkkuva akun alhainen taso ⑦b näkyy akun lataustason ilmaisimessa, kun painat painiketta H; lataa akku
 - ! älä jatka virtakytkimen painamista sen jälkeen, kun kone on kytkeytynyt pois päältä automaattisesti; akku voi vaurioitua
- Vyöklipsin kiinnitys ⑧
 - kiinnitä vyöklipsi L avaimen mukana toimitetulla ruuvilla
- Pyörintäsunnan vaihto ⑨
 - jos ei ole oikein asetettu vasen/oikea asentoon, kytkintä E② ei voi käyttää
 - ! muuta pyörintäsuntaa vain kun työkalu on täysin pysähtynyt
- Yhdistetty kytkin on/off ⑩ ja nopeudensäätö ⑪
 - valitse nopeus portaattomasti nollasta maksiminopeuteen painamalla kytkintä E② enemmän tai vähemmän
- LED-valo ⑫
 - LED-valo syttyy, kun aktivoit päälle/pois-kytkimen E tai painat jompaakumpaa LED-valopainiketta F tai tilapainiketta G
 - Valitse haluamasi kirkkaus painamalla LED-valopainiketta:
 - Vähäinen kirkkaus** – sammuu n. 10 s on/off-kytkimen

vapauttamisen jälkeen

Suuri kirkkaus – sammuu n. 600 s on/off-kytkimen vapauttamisen jälkeen

! **Kun LED-valo alkaa vilkkua nopeasti, akun suojaus on aktivoitunut (katso yllä)**

- Tilan valinta ⑬
 - paina tilapainiketta G valitaksesi haluamasi tilan:
 - Hitaan nopeuden tila (valo "1" palaa vihreänä)** ⑬a
 - kirstitys pienemmällä vääntömomentilla ja hitaalla nopeudella
 - pienille pulteille ja ruuveille
 - Keskinopeuden tila (valot "1 ja 2" palavat vihreinä)** ⑬b
 - kirstitys keskisuurella vääntömomentilla ja nopeudella
 - ruuveille keskiraskaassa käytössä
 - Suuren nopeuden tila (valot "1 ja 2 ja 3" palavat vihreinä)** ⑬c
 - kirstitys suurella voimalla ja nopeudella
 - suurille ruuveille ja pulteille
 - Käänteinen ohjaustila (valo "RM" palaa vihreänä)** ⑬d
 - pulttien ja mutterien irrottamiseen
 - pysähtyy, kun pultti tai mutteri irtoaa
 - ! ohjaustila on käytettävissä vain taaksepäin pyörittäessä; eteenpäin pyörittäessä sitä käytetään suurella nopeudella
 - ! tiloja voidaan vaihtaa vain, kun vihreät LEDit ovat aktivoituvia ja kun työkalu on täysin pysähdyksissä
- Hylsyjen asentaminen ja irrottaminen ⑭
 - asenna hylsy painamalla se neliövääntöön D
 - irrota hylsy vetämällä se pois neliövääntöön D
 - ! käytä hylsyjä vain 3/8" neliövääntön kanssa ⑭a
 - ! käytä sovitinta M hylsyihin, joissa on 1/2" neliövääntö ⑭b
 - ! älä käytä vaurioituneita hylsyjä
- Työkälun pitely ja ohjaaminen ⑮
 - ! pidä aina työskentelyn aikana kiinni työkalun harmaista tartunta-alueista
 - pidä tuuletusaukot B② vapaina
 - älä paina työkalua liian voimakkaasti; vaan anna työkalun tehdä työ puolestasi

VINKKEJÄ

- Käytä oikeantyyppisiä kärkiä
- Kun ruuvi väännetään lähelle puun reunaa, pitää porata esireikä ruuvia varten, jotta estetään puun halkeaminen
- Jotta laitteesta saataisiin mahdollisimman suuri hyöty, ruuvia on painettava tasaisesti, varsinkin ruuvia irrotettaessa
- Väännettäessä ruuveja kovaan puuhun tulisi ensin porata esireikä
- Lisätietoja on osoitteessa www.skil.com


HOITO/HUOLTO

- Tätä työkalua ei ole tarkoitettu ammattikäyttöön
- Pidä työkalu aina puhtaana (erityisesti tuuletusaukot B②)
- ! **Irrota akku työkalusta ennen puhdistamista**
- Jos työkalu ei huolellisesta valmistuksesta ja koestusmenettelystä huolimatta toimi asianmukaisella tavalla, tulee laitteen korjaus antaa SKIL-huoltokeskuksen tehtäväksi
- toimita työkalu ostotositteen kanssa ja osiin purkamatta jälleenympäälle tai lähimpään SKIL-huoltoliikkeeseen (osoitteet ja työkalun huoltokaavio löytyvät

web-sivustolta www.skil.com)

- Ota huomioon, että takuu ei kata työkalun ylikuormituksesta tai väärästä käsittelystä johtuvia vahinkoja (katso SKIL-takuehdot osoitteesta www.skil.com tai kysy jälleenmyyjältä)

YMPÄRISTÖNSUOJELU

- **Älä hävitä sähkötyökalua, akkuja, paristoja, tarvikkeita tai pakkausta tavallisen kotitalousjätteen mukana (koskee vain EU-maita)**
 - vanhoja sähkö- ja elektroniikkalaitteita koskevan EU-direktiivin 2012/19/EY ja sen maakohtaisten sovellusten mukaisesti käytetyt sähkötyökalut on toimitettava ongelmajätteen keräyspisteeseen ja ohjattava ympäristöystävälliseen kierrätykseen
 - symboli  muistuttaa tästä, kun käytöstä poisto tulee ajankohtaiseksi
 - ! **poistaessasi akun käytöstä peitä plus- ja miinusnapa sähköpeillä oikosulun estämiseksi**

MELU/TÄRINÄ


- Mitattuna standardin EN62841 mukaan tämän työkalun äänenpainetaso on 88 dB (A) ja äänitehotaso 99 dB (A) (epävarmuus K = 3 dB) ja värinä 9,1 m/s² (kolmeaokselisen vektorin summa; epävarmuus K = 1,5 m/s²)
- Tärinäsaiteilytaso on mitattu standardin EN 62841 mukaisen standarditestin mukaisesti; sitä voidaan käyttää verrattaessa yhtä laitetta toiseen sekä alustavana värinälle altistumisen arviona käytettäessä laitetta manituissa käyttötarkoituksissa
 - työkalun käyttö eri käyttötarkoituksiin tai erilaisten tai huonosti huollettujen lisävarusteiden kanssa voi nostaa merkittävästi altistumistasoa
 - työkalun ollessa sammuksissa tai kun se on käynnissä, mutta sillä ei tehdä työtä, altistumistaso voi alentua merkittävästi
- ! **suojaudu värinän vaikutuksilta huoltamalla työkalu ja sen lisävarusteet, pitämällä kädet lämpiminä ja organisoimalla työmenetelmät**

E

**Ilave de impacto
inalámbrica sin escobillas**

3265

INTRODUCCIÓN

- Esta herramienta está concebida para atornillar y desatornillar tornillos y pernos
- Esta herramienta no está concebida para uso profesional
- Si falta alguna pieza o está dañada, póngase en contacto con su distribuidor.
- **Lea este manual de instrucciones cuidadosamente antes de utilizarlo y guárdelo para consultas futuras** 
- **Preste mucha atención a las instrucciones y advertencias de seguridad; en caso contrario pueden producirse lesiones graves**

DATOS TÉCNICOS


Par de giro máx. en unión atornillada rígida según ISO 5393:
250Nm

ELEMENTOS DE LA HERRAMIENTA

- A** Selector de dirección de rotación (adelante/bloqueo central/atrás)
 - B** Ranuras de ventilación
 - C** Luz LED
 - D** Eje cuadrado
 - E** Interruptor para encendido/apagado y control de velocidad
 - F** Botón de luz LED
 - G** Botón Modo
 - H** Botón del indicador del nivel de batería
 - J** Área de almacenamiento de bits
 - K** Área de fijación de la correa
 - L** Pinza para el cinturón
 - M** Adaptador*
- *NO INCLUIDO DE SERIE

SEGURIDAD

MEDIDAS DE SEGURIDAD GENERALES PARA HERRAMIENTAS ELÉCTRICAS

 **ADVERTENCIA** Lea todas las advertencias de seguridad, instrucciones, ilustraciones y especificaciones incluidas con esta herramienta eléctrica. Si no se cumplen todas las instrucciones que se enumeran a continuación, pueden producirse descargas eléctricas, incendios o lesiones graves.

Conserve todas las instrucciones y advertencias para poder consultarlas en el futuro.

El término «herramientas eléctricas» que aparece en las advertencias se refiere tanto a las herramientas que funcionan conectadas a la red eléctrica (con cable) como a las que funcionan con batería (inalámbricas).

1) SEGURIDAD EN LA ZONA DE TRABAJO

- Mantenga la zona de trabajo limpia y bien iluminada.** Las áreas de trabajo desordenadas y oscuras favorecen los accidentes.
- No ponga en funcionamiento las herramientas eléctricas en entornos explosivos como, por ejemplo, donde haya líquidos inflamables, gases o polvo.** Las herramientas eléctricas generan chispas que podrían actuar como detonante de vapores y partículas de polvo inflamables.
- Mantenga a los niños y las demás personas alejados cuando esté utilizando una herramienta eléctrica.** Las distracciones podrían hacerle perder el control de la herramienta.

2) SEGURIDAD ELÉCTRICA

- El enchufe de la herramienta eléctrica debe corresponder con la toma de corriente. No modifique nunca el enchufe de ningún modo.** Nunca utilice enchufes adaptadores o ladrones de corriente con herramientas eléctricas equipadas con conexión a tierra. Si no se modifican los enchufes y estos corresponden con las tomas de corriente, se reducirán enormemente los riesgos de electrocución.
- Evite cualquier contacto corporal con superficies conectadas a tierra, como tuberías, radiadores,**

- hornillos eléctricos y frigoríficos.** Existe un mayor riesgo de descarga eléctrica si su cuerpo tiene conexión a tierra.
- c) **No exponga las herramientas eléctricas a la lluvia o a la humedad.** Si penetra agua en una herramienta eléctrica, aumentará el riesgo de descarga eléctrica.
 - d) **No maltrate el cable. Nunca utilice el cable para transportar, arrastrar o desencharar la herramienta eléctrica.** Mantenga el cable alejado del calor, el aceite, los bordes afilados o las piezas móviles. Los cables dañados o enredados aumentan el riesgo de descarga eléctrica.
 - e) **Cuando use una herramienta eléctrica al aire libre, utilice un cable alargador adecuado para uso en exteriores.** Si se usa un cable adecuado para exteriores, se reducirá el riesgo de descarga eléctrica.
 - f) **Utilice un interruptor diferencial (RCD) si debe utilizar la herramienta eléctrica en un lugar húmedo.** La utilización de un interruptor de protección diferencial reducirá el riesgo de electrocución.
- ### 3) SEGURIDAD PERSONAL
- a) **Manténgase alerta, preste atención a lo que está haciendo y aplique el sentido común durante el uso de una herramienta eléctrica. No use una herramienta eléctrica cuando esté cansado o bajo la influencia de drogas, alcohol o medicación.** Cuando se están usando herramientas eléctricas, cualquier falta de atención, aunque sea por un instante, puede provocar lesiones graves.
 - b) **Utilice equipo de protección personal. Utilice siempre protección ocular.** El equipo de protección, como máscaras antipolvo, calzado de seguridad antideslizante, casco protector o protección auditiva, cuando se utiliza adecuadamente, reduce las lesiones personales.
 - c) **Evite la puesta en marcha accidental de la herramienta. Asegúrese de que el interruptor de encendido se encuentra en la posición de apagado antes de enchufar la herramienta a la red eléctrica y/o de acoplar la batería, así como al agarrar o transportar la herramienta.** Si lleva una herramienta eléctrica con el dedo puesto sobre el interruptor, o si enchufa una herramienta eléctrica con el interruptor encendido, pueden producirse accidentes.
 - d) **Retire cualquier llave de ajuste o llave inglesa de la herramienta antes de encenderla.** Una llave inglesa o una llave de ajuste enganchada a una parte giratoria de la herramienta puede producir lesiones.
 - e) **No se estire demasiado para alcanzar lugares de difícil acceso. Mantenga una posición firme y equilibrada en todo momento.** De este modo podrá controlar mejor la herramienta eléctrica en situaciones inesperadas.
 - f) **Utilice ropa adecuada. No lleve puesta ropa holgada ni joyas. Mantenga el pelo, la ropa y los guantes alejados de las piezas móviles.** La ropa holgada, así como las joyas o el pelo, largo podrían engancharse en las partes móviles de la herramienta.
 - g) **Si se incluyen dispositivos de conexión a extractores y colectores de polvo, asegúrese de conectarlos y utilizarlos adecuadamente.** El uso de un colector de polvo puede reducir los riesgos asociados con el polvo.
 - h) **El hecho de haberse familiarizado con la herramienta por el uso frecuente no debe hacer que se descuide e ignore los principios de seguridad.** Una distracción puede provocar lesiones graves en una fracción de segundo.
- ### 4) UTILIZACIÓN Y CUIDADO DE LAS HERRAMIENTAS ELÉCTRICAS
- a) **No fuerce la herramienta eléctrica. Utilice la herramienta eléctrica adecuada para la tarea que vaya a realizar.** La herramienta correcta funcionará mejor y con más seguridad a la velocidad para la que ha sido diseñada.
 - b) **No use la herramienta si el interruptor no funciona para encenderla y apagarla.** Toda herramienta que no se puede controlar con el interruptor es peligrosa y debe repararse.
 - c) **Desconecte el enchufe de la toma de corriente y/o retire la batería de la herramienta antes de realizar algún ajuste, cambiar de accesorios o guardarla.** Estas medidas de seguridad reducen el riesgo de que la herramienta se ponga en marcha por accidente.
 - d) **Guarde las herramientas eléctricas apagadas fuera del alcance de niños y no deje que las usen personas que no estén familiarizadas con estas instrucciones o con las herramientas.** Las herramientas eléctricas son peligrosas si las usan personas sin experiencia.
 - e) **Cuide las herramientas eléctricas y sus accesorios. Compruebe si hay elementos móviles desalineados o trabados, piezas rotas u otra circunstancia que pueda afectar al funcionamiento de la herramienta. Si la herramienta eléctrica está dañada, llévela a reparar antes de usarla.** Muchos accidentes se deben a un mantenimiento deficiente de las herramientas eléctricas.
 - f) **Mantenga las herramientas de corte afiladas y limpias.** Las herramientas de corte bien afiladas tienen menos probabilidades de atascarse y son más fáciles de controlar.
 - g) **Use la herramienta eléctrica, los accesorios, las brocas, etc., siguiendo las instrucciones y teniendo en cuenta las condiciones de trabajo y la tarea a realizar.** El uso de las herramientas eléctricas para fines diferentes a los previstos podría provocar situaciones de peligro.
 - h) **Mantenga las asas y las superficies de agarre secas, limpias y libres de aceite y grasa.** Si las asas y las superficies de agarre están resbaladizas no se puede manejar la herramienta de forma segura ni mantener el control en las situaciones inesperadas.
- ### 5) UTILIZACIÓN Y MANTENIMIENTO DE HERRAMIENTAS A BATERÍA
- a) **Recargue únicamente con el cargador especificado por el fabricante.** Un cargador que es adecuado para un tipo de batería podría ocasionar un incendio si se utiliza con una batería distinta.
 - b) **Utilice herramientas eléctricas solamente con las baterías diseñadas específicamente para ellas.** El uso de cualquier otro tipo de batería puede provocar riesgo de lesiones e incendio.
 - c) **Cuando no se esté utilizando la batería, manténgala apartada de objetos metálicos como clips para papeles, monedas, llaves, clavos, tornillos, o**

cualquier otro objeto metálico pequeño que pudiera provocar un cortocircuito en sus terminales de corriente. Si se provoca el cortocircuito en los terminales de la batería, podrían producirse quemaduras o incendios.

- d) **En condiciones de uso intensivo, es posible que se produzca una fuga de ácido de la batería. Evite el contacto con el ácido. Enjuague con agua si se produce un contacto accidental. Si el líquido entra en contacto con los ojos, solicite también atención médica.** El líquido que emana de la batería puede provocar irritaciones o quemaduras.
- e) **No utilice una batería o una herramienta que haya sido modificada o que esté dañada.** Las baterías dañadas o modificadas pueden tener un comportamiento impredecible y provocar un incendio, explosión o riesgo de lesiones.
- f) **No exponga la batería ni la herramienta al fuego ni a una temperatura excesiva.** La exposición al fuego o a una temperatura superior a 130°C podría provocar una explosión.
- g) **Siga todas las instrucciones de carga y no cargue la batería ni la herramienta fuera del rango de temperatura especificado en las instrucciones.** Una carga incorrecta o a temperaturas fuera del rango especificado puede dañar la batería y aumentar el riesgo de incendio.

6) SERVICIO TÉCNICO

- a) **Las reparaciones de las herramientas eléctricas debe realizarlas un técnico cualificado, utilizando solo piezas de recambio idénticas.** De este modo, podrá garantizarse la seguridad de uso de la herramienta eléctrica.
- b) **No repare nunca baterías que estén dañadas.** Las baterías solo debe repararlas el fabricante o un centro de servicio técnico autorizado.

INSTRUCCIONES DE SEGURIDAD PARA LLAVE DE IMPACTO INALÁMBRICA

- **Sujete la herramienta eléctrica por las superficies de agarre aisladas al realizar trabajos en los que la fijación pueda tocar conductores eléctricos ocultos** (el contacto de las fijaciones con conductores bajo tensión puede hacer que las partes metálicas de la herramienta eléctrica pasen a estar en tensión y provoquen una descarga eléctrica)

GENERAL

- El polvo de materiales como pintura que contenga plomo, algunas especies de madera, minerales y metal podrían ser dañinos (el contacto o inhalación del polvo podría producir reacciones alérgicas y trastornos respiratorios al usuario o a otras personas que se encontrasen en la zona); **utilice una máscara contra el polvo y trabaje con un dispositivo de extracción de polvo cuando se pueda conectar**
- Ciertos tipos de polvo están catalogados como cancerígenos (por ejemplo, el polvo de roble y de haya) especialmente junto con aditivos para el acondicionamiento de la madera; **utilice una máscara contra el polvo y trabaje con un dispositivo de extracción de polvo cuando se pueda conectar**
- Siga la normativa nacional en cuanto a extracción de polvo, en función de los materiales que vayan a ser

utilizados

- No trabaje materiales que contengan asbesto (el asbesto se considera cancerígeno)
- Cerciorarse de que el selector de la dirección de rotación A(2) está en la posición central (posición de bloqueo) antes de realizar ajustes en la herramienta o un cambio de accesorios así como para el transporte o para guardar la herramienta

ACCESORIOS

- SKIL Únicamente puede garantizar un funcionamiento correcto de la herramienta si se emplean accesorios originales.
- Utilice únicamente accesorios cuyo límite de revoluciones permitido sea como mínimo igual a las revoluciones en vacío máximas de la herramienta

ANTES DEL USO

- Evite los daños que puedan causar los tornillos, clavos y otros objetos sobre la pieza de trabajo; retírelos antes de empezar a trabajar
- **Asegure la pieza de trabajo** (una pieza de trabajo fijada con unos dispositivos de sujeción o en un tornillo de banco, se mantiene sujeta de forma mucho más segura que con la mano)
- **Utilice aparatos de detección adecuados para localizar posibles conductores o tuberías ocultas, o consulte a su compañía abastecedora** (el contacto con conductores eléctricos puede provocar una descarga eléctrica e incluso un incendio; al dañar una tubería de gas puede producirse una explosión; la perforación de una tubería de agua puede causar daños materiales o una descarga eléctrica)

PILAS

- **La batería se entrega parcialmente cargada** (para poder aprovechar toda la capacidad de la batería, cárguela por completo en el cargador antes de utilizar la herramienta eléctrica por primera vez).
- **Utilice únicamente los siguientes cargadores y baterías con esta herramienta**
 - Batería SKIL: BR1*31****
 - Cargador SKIL: CR1*31****
- Nunca utilice la batería si está deteriorada; debe sustituirse inmediatamente
- No desarme la batería
- No exponga la herramienta/batería a la lluvia
- Temperatura ambiente permitida (herramienta/cargador/batería):
 - durante la carga 4...40 °C
 - durante el funcionamiento -20...+50 °C
 - durante el almacenamiento -20...+50 °C

EXPLICACIÓN DE SÍMBOLOS DE HERRAMIENTA/BATERÍA

- ③ Lea el manual de instrucciones antes de utilizarla
- ④ Las baterías estallarán si se tiran al fuego, por ningún motivo caliente las baterías.
- ⑤ Guarde la herramienta/cargador/batería en un lugar donde la temperatura no exceda los 50 °C
- ⑥ No deseché las herramientas eléctricas y las pilas junto con los residuos domésticos

USO

- Recarga de la batería
- ! **Lea las instrucciones y la advertencias de seguridad incluidas con el cargador.**
- Desmontaje/instalación de la batería ②

- Indicador del nivel de carga de la batería ⑦
 - Pulse el botón indicador del nivel de carga de la batería H para ver el nivel actual de carga ⑦a
 - ! **Cuando empiece a parpadear el nivel inferior del indicador de la batería después de pulsar el botón H ⑦b, significa que la batería está descargada.**
 - ! **Cuando empiecen a parpadear 2 niveles del indicador de la batería después de pulsar el botón H ⑦c, significa que la batería no está dentro del rango de temperatura de funcionamiento permitido.**
- Protección de la batería

La herramienta se apaga inmediatamente, o se impide su encendido, cuando

 - **la carga es demasiado alta** -> retire la carga y vuelva a ponerla en marcha
 - **la temperatura de la batería no se encuentra dentro del rango admisible de temperaturas de funcionamiento entre -20 °C y +50 °C** --> los 2 niveles del indicador de la batería empiezan a parpadear cuando se pulsa el botón H ⑦c; espere hasta que la batería vuelva a estar dentro del rango admisible de temperaturas de funcionamiento
 - **la batería está casi descargada (como protección contra una descarga intensa)** --> el indicador del nivel de la batería señala un nivel bajo de carga o un nivel bajo de carga intermitente ⑦b cuando se pulsa el botón H; cargue la batería

! **No siga pulsando el interruptor de encendido/apagado después de que se apague automáticamente la herramienta; se puede dañar la batería.**
- Acoplamiento del enganche de cinturón ⑧
 - Conecte el enganche de cinturón L a la llave de impacto con el tornillo suministrado
- Cambio de dirección de rotación ⑨
 - si el inversor de giro no está adecuadamente colocado en la posición izquierda/derecha, el interruptor E ② no podrá ser activado

! **invierta la dirección de giro sólo cuando la herramienta esté completamente parada**
- Interruptor combinado de encendido/apagado ⑩ y control de velocidad ⑪
 - controle la velocidad de manera continua acelerando de 0 hasta la máxima, apretando E ②
- Luz LED ⑫
 - La luz LED se enciende al activar/apagar el interruptor E, o al presionar el botón de luz LED F o el botón de modo G
 - Presione el botón de luz LED para seleccionar el brillo deseado:
 - Bajo brillo:** se apaga aprox. 10 segundos después de que se suelte el interruptor de encendido/apagado
 - Alto brillo:** se apaga aprox. 600 s después de que se suelte el interruptor de encendido/apagado

! **cuando el indicador LED empieza a parpadear rápidamente, se activa la protección de la batería (ver arriba)**
- Selección de modo ⑬
 - pulse el botón de modo G para seleccionar el modo deseado:

Modo de baja velocidad (la luz «1» se enciende de color verde) ⑬a

- apretar con menos par y baja velocidad
- para pernos y tornillos pequeños

Modo de velocidad media (las luces «1&2» se encienden de color verde) ⑬b
- apretar con par y velocidad medios
- para los tornillos en aplicación de servicio medio

Modo de alta velocidad (las luces «1&2&3» se encienden de color verde) ⑬c
- apriete con mucha fuerza y velocidad
- para tornillos y pernos grandes

Modo de control inverso (la luz «RM» se enciende de color verde) ⑬d
- para aflojar pernos y tuercas
- se detiene cuando se afloja el perno o la tuerca

! **el modo de control solo se encuentra disponible con giro en sentido inverso; en giro en sentido normal se utiliza para alta velocidad**

! **los modos solo se pueden cambiar cuando está(n) activado(s) el/los LED verde(s) y cuando la herramienta está completamente parada**
- Instalación y extracción de sockets ⑭
 - Para instalar un vástago, simplemente insértelo en el eje cuadrado D
 - para quitar un vástago, simplemente sáquelo del eje cuadrado D

! **use únicamente vástagos con eje cuadrado de 3/8" ⑭a**

! **Utilice el adaptador M para puntas con eje cuadrado de 1/2" ⑭b**

! **no utilice vástagos deteriorados**
- Sujeción y manejo de la herramienta ⑮

! **durante el trabajo, sujete siempre la herramienta por la(s) zona(s) de agarre de color gris**

 - mantenga las ranuras de ventilación B ② descubiertas
 - no ejerza demasiada presión en la herramienta; deje que la herramienta haga su trabajo

CONSEJOS DE APLICACIÓN

- Utilice las brocas adecuadas
- Taladrar de antemano un agujero para poder atornillar en/cerca o al lado de la madera para prevenir la rotura de ésta
- Para un uso óptimo de su herramienta es necesaria una presión constante sobre el tornillo ante todo en la extracción del mismo
- Cuando atornille en madera dura realice un pequeño agujero previamente
- Si desea más información, visite www.skil.com

MANTENIMIENTO/SERVICIO TÉCNICO


- Esta herramienta no está concebida para uso profesional
- Mantenga siempre limpia la herramienta (sobre todo las ranuras de ventilación B ②)

! **Quite la batería de la herramienta antes de la limpieza.**
- Si a pesar de los esmerados procesos de fabricación y control, la herramienta llegase a averiarse, la reparación deberá encargarse a un servicio técnico autorizado para herramientas eléctricas SKIL
 - Envíe la herramienta sin desmontar junto con una prueba de su compra a su distribuidor o al centro de servicio técnico más cercano de SKIL (las direcciones

y el diagrama de despiece de la herramienta están en www.skil.com).

- Tenga en cuenta que los daños debido a sobrecarga o a un manejo inadecuado del producto estarán excluidos de la garantía (consulte las condiciones de garantía de SKIL en www.skil.com o consulte a su distribuidor).

MEDIO AMBIENTE

- **No deseche las herramientas eléctricas, las baterías, los accesorios y los embalajes junto con los residuos domésticos** (solo para países de la Unión Europea).
 - de conformidad con la Directiva Europea 2012/19/CE sobre residuos de aparatos eléctricos y electrónicos y su aplicación de acuerdo con la legislación nacional, las herramientas eléctricas cuya vida útil haya llegado a su fin se deberán recoger por separado y trasladar a una planta de reciclaje que cumpla con las exigencias ecológicas
 - El símbolo  llamará su atención cuando sea necesaria la eliminación.
- ! Antes de eliminarla, proteja los terminales de la batería con cinta aislante para evitar un cortocircuito.**

RUIDOS/VIBRACIONES

- Realizando mediciones según EN62841, el nivel de presión acústica de esta herramienta es 88 dB(A) y el nivel de potencia acústica es de 99 dB(A) (incertidumbre K = 3 dB), y la vibración es 9,1 m/s² (suma vectorial triaxial; incertidumbre K = 1,5 m/s²).
 - El nivel de emisión de vibraciones ha sido medido según una prueba estándar proporcionada en la norma EN62841; puede utilizarse para comparar una herramienta con otra y como valoración preliminar de la exposición a las vibraciones al utilizar la herramienta con las aplicaciones mencionadas
 - al utilizarla para distintas aplicaciones o con accesorios diferentes o con un mantenimiento deficiente, podría aumentar de forma considerable el nivel de exposición.
 - en las ocasiones en que se apaga la herramienta o cuando está funcionando pero no está realizando ningún trabajo, se podría reducir considerablemente el nivel de exposición.
- ! Protéjase contra los efectos de la vibración realizando el mantenimiento de la herramienta y sus accesorios, manteniendo sus manos calientes y organizando sus patrones de trabajo.**

P


**Chave de impacto sem
fios e sem escovas**

3265

INTRODUÇÃO

- Esta ferramenta foi criada para aparafusar e desaparafusar parafusos.
- Esta ferramenta não foi criada para utilização profissional.
- Se houver peças em falta ou danificadas, contacte o seu

revendedor.

- **Leia este manual de instruções com atenção antes da utilização, e guarde-o para futuras referências** .
- **Preste especial atenção às instruções de segurança e avisos. Se não os seguir, pode sofrer ferimentos sérios.**

CARACTERÍSTICAS TÉCNICAS

Binário máximo para aplicações difíceis de aparafusar, de acordo com a ISO 5393: 250Nm


ELEMENTOS DA FERRAMENTA

- A Seletor da direção de rotação (avançar/ bloqueado no centro/retroceder)
- B Ranhuras de ventilação
- C Luz LED
- D Condutor quadrado
- E Interruptor para ligar/desligar e controlo da velocidade
- F Botão da luz LED
- G Botão do modo
- H Botão do indicador do nível da bateria
- J Área de arrumação das cabeças de aperto
- K Área de fixação da alça
- L Clipe para o cinto
- M Adaptador*

*NÃO INCLuíDO NO PACOTE PADRÃO

SEGURANÇA

AVISOS DE SEGURANÇA GERAIS DA FERRAMENTA ELÉTRICA

 **AVISO Leia todos os avisos de segurança, instruções, ilustrações e especificações fornecidas com esta ferramenta elétrica.** Não seguir todas as instruções apresentadas abaixo pode resultar em choque elétrico, incêndio e/ou ferimentos graves.

Guarde todos os avisos e instruções para futuras referências.

O termo “ferramenta elétrica” nos avisos diz respeito à sua ferramenta alimentada pela rede (com fio) ou com bateria (sem fio).

1) SEGURANÇA NA ÁREA DE TRABALHO

- a) **Mantenha a área de trabalho limpa e bem iluminada.** Áreas desarrumadas ou escuras são propícias a acidentes.
- b) **Não ligue ferramentas elétricas em atmosferas explosivas, tal como na presença de líquidos inflamáveis, gases ou pó.** As ferramentas elétricas geram faíscas que podem provocar a ignição dos fumos ou pó.
- c) **Mantenha as crianças e pessoas que passem afastadas enquanto trabalhar com uma ferramenta elétrica.** As distrações podem fazer com que perca o controlo.

2) SEGURANÇA ELÉTRICA

- a) **As fichas da ferramenta elétrica têm de corresponder à tomada. Nunca modifique uma ficha de forma alguma. Não utilize qualquer adaptador**

com ferramentas elétricas com ligação à terra.

Fichas não modificadas e tomadas correspondentes reduzirão o risco de choque elétrico.

- b) Evite o contacto corporal com superfícies com ligação à terra, tais como tubos, radiadores, faixas e frigoríficos.** Existe um risco acrescido de choque elétrico se o seu corpo estiver ligado à terra.
- c) Não exponha as ferramentas elétricas à chuva ou a condições húmidas.** A entrada da água na ferramenta elétrica aumentará o risco de choque elétrico.
- d) Não force o fio da alimentação. Nunca utilize o fio para transportar, puxar ou desligar a ferramenta elétrica.** Mantenha o fio afastado do calor, óleo, arestas afiadas ou peças móveis. Fios danificados ou presos aumentam o risco de choque elétrico.
- e) Quando estiver a trabalhar com uma ferramenta elétrica ao ar livre, utilize uma extensão adequada para a utilização no exterior.** A utilização de um fio adequado ao exterior reduz o risco de choque elétrico.
- f) Se for inevitável trabalhar com uma ferramenta elétrica num local húmido, use uma alimentação protegida por um dispositivo de corrente residual (DCR).** A utilização de um DCR reduz o risco de choque elétrico.

3) SEGURANÇA PESSOAL

- a) Mantenha-se alerta, observe o que está a fazer e use senso comum quando estiver a trabalhar com uma ferramenta elétrica.** Não use uma ferramenta elétrica enquanto estiver cansado ou sob o efeito de drogas, álcool ou medicação. Um momento de falta de atenção enquanto trabalha com ferramentas elétricas pode resultar em ferimentos graves.
- b) Use equipamento pessoal de proteção. Use sempre proteção ocular.** O equipamento de segurança, tal como máscara respiratória, calçado de segurança antiderrapante, capacete de segurança, ou proteção auditiva, utilizado nas condições adequadas reduzirá a hipótese de ferimentos.
- c) Evite ligações sem intenção. Certifique-se de que o interruptor se encontra na posição de desligado antes de ligar a fonte de energia e/ou à bateria ao agarrar ou transportar a ferramenta.** Transportar ferramentas elétricas com o seu dedo no interruptor ou fornecer energia a ferramentas elétricas que tenham o interruptor na posição de ligado convida a acidentes.
- d) Retire qualquer chave de ajuste ou chave de fendas antes de ligar a ferramenta elétrica.** Uma chave de porcas ou uma chave deixada ligada a uma peça rotativa da ferramenta elétrica pode provocar ferimentos.
- e) Não se estique. Mantenha sempre a base e o equilíbrio adequados.** Isso proporciona um melhor controlo da ferramenta elétrica em situações inesperadas.
- f) Vista-se adequadamente. Não use roupa larga nem joalharia. Mantenha o seu cabelo e roupa afastados das peças móveis.** Roupa larga, joias ou cabelo comprido podem ser apanhados pelas peças em movimento.
- g) Se forem fornecidos dispositivos para a ligação de extração de pó e facilidades de recolha, certifique-se de que estes estão ligados e de que são devidamente utilizados.** A utilização da recolha do pó pode reduzir os perigos relacionados com o pó.

- h) Não permita que a familiarização ganhe com a utilização de ferramentas o torne mais complacente e ignore os princípios de segurança da ferramenta.** Uma ação descuidada pode causar graves ferimentos numa fração de segundo.

4) UTILIZAÇÃO E CUIDADOS DA FERRAMENTA ELÉTRICA

- a) Não force a ferramenta elétrica. Utilize a ferramenta elétrica correta para a sua aplicação.** A ferramenta elétrica correta fará o trabalho melhor e de forma mais segura ao ritmo para o qual foi concebida.
 - b) Não utilize a ferramenta elétrica se o interruptor não a ligar ou desligar.** Qualquer ferramenta que não possa ser controlada com o interruptor é perigosa e deve ser reparada.
 - c) Desligue a ficha da alimentação e/ou retire a bateria da ferramenta elétrica, se amovível, antes de fazer quaisquer ajustes, mudar de acessórios ou armazenar a ferramenta elétrica.** Estas medidas de segurança preventiva ajudam a reduzir os riscos de ligar inadvertidamente a ferramenta elétrica.
 - d) Guarde as ferramentas elétricas não utilizadas fora do alcance das crianças e não permita que pessoas não familiarizadas com a ferramenta elétrica ou com estas instruções utilizem a ferramenta elétrica.** As ferramentas elétricas são perigosas nas mãos de utilizadores sem formação.
 - e) Proceda à manutenção das ferramentas elétricas e acessórios. Verifique desalinhamentos ou bloqueios das peças móveis, peças partidas e quaisquer outras condições que possam afetar o funcionamento da ferramenta elétrica. Se estiver danificada, leve a ferramenta elétrica para ser reparada antes da utilização.** Muitos acidentes são provocados pela fraca manutenção das ferramentas elétricas.
 - f) Mantenha as ferramentas de corte afiadas e limpas.** Ferramentas de corte devidamente mantidas e com arestas de corte afiadas têm uma menor probabilidade de prender e são mais fáceis de controlar.
 - g) Use a ferramenta elétrica, acessórios e brocas, etc., de acordo com estas instruções, tendo em conta as condições de trabalho e o trabalho a ser efetuado.** A utilização da ferramenta elétrica para operações diferentes daquelas para que foi criada pode dar origem a uma situação perigosa.
 - h) Mantenha as peças e superfícies de segurar secas, limpas e sem óleo ou gordura.** Pegas e superfícies de segurar escorregadias não permitem o manuseamento seguro nem o controlo da ferramenta em situações inesperadas.
- ### **5) UTILIZAÇÃO E CUIDADOS DA FERRAMENTA COM A BATERIA**
- a) Recarregue apenas com o carregador especificado pelo fabricante.** Um carregador que seja adequado a um tipo de bateria pode criar um risco de incêndio quando usado com outra bateria.
 - b) Use ferramentas elétricas apenas com as baterias especificamente designadas.** A utilização de outras baterias pode criar um risco de ferimentos e incêndio.
 - c) Quando não usar a bateria, mantenha-a afastada de outros objetos de metal, como cliques de papel, moedas, chaves, pregos, parafusos ou**

outros pequenos objetos de metal que possam fazer a ligação entre os dois terminais. Colocar os terminais da bateria em curto-circuito pode dar origem a queimaduras ou fogo.

- d) **Sob condições abusivas, pode ser ejetado líquido da bateria; evite o contacto. Se ocorrer um contacto accidental, lave com água abundante. Se o líquido entrar em contacto com os olhos, procure ajuda médica.** O líquido ejetado da bateria pode provocar irritação ou queimaduras.
- e) **Não use a bateria nem a ferramenta se estiverem danificadas ou modificadas.** Baterias danificadas ou modificadas podem apresentar comportamentos imprevisíveis, dando origem a fogo, explosão ou risco de lesões.
- f) **Não exponha a bateria ou a ferramenta ao fogo ou temperatura excessiva.** A exposição ao fogo ou a temperaturas acima dos 130 °C pode causar uma explosão.
- g) **Siga todas as instruções de carregamento e não carregue a bateria nem a ferramenta a uma temperatura fora dos parâmetros especificados nas instruções.** Carregar incorretamente ou a temperaturas fora dos parâmetros especificados pode danificar a bateria e aumentar o risco de fogo.

6) REPARAÇÃO

- a) **A reparação da sua ferramenta elétrica deverá ser sempre efetuada por pessoas qualificadas, utilizando apenas peças sobresselentes idênticas.** Tal irá assegurar que a segurança da ferramenta elétrica é mantida.
- b) **Nunca tente reparar uma bateria danificada.** A reparação das baterias só deverá ser efetuada pelo fabricante ou por um reparador autorizado.

INSTRUÇÕES DE SEGURANÇA DA CHAVE DE IMPACTO SEM FIOS

- **Segure a ferramenta elétrica pelas superfícies isoladas quando efetuar qualquer operação em que a aparafusadora possa entrar em contacto com cablagem oculta ou com o seu próprio fio.** Se a aparafusadora entrar em contacto com um fio ligado à alimentação, as peças de metal expostas à eletricidade podem dar origem a um choque elétrico.

GERAL

- As poeiras de materiais como tintas com chumbo, determinadas espécies de madeiras, minerais e metais podem ser prejudiciais (o contacto ou a inalação dessa poeira pode causar reações alérgicas e/ou doenças respiratórias no operador ou assistentes); **utilize uma máscara antipoeira e trabalhe com um dispositivo de extração de poeiras quando for possível ligar.**
- Determinados tipos de poeiras estão classificados como cancerígenos (como poeira de faia e carvalho) especialmente junto com aditivos para tratamento de madeiras. **Utilize uma máscara antipoeira e trabalhe com um dispositivo de extração de poeiras quando for possível ligar.**
- Siga as normas nacionais referentes a poeiras para os materiais com que pretende trabalhar.
- Não trabalhe em materiais que contenham amianto (o amianto é considerado cancerígeno).
- Certifique-se de que o seletor de direção da rotação

A(2) está na posição central (fixada) antes de efetuar quaisquer ajustes ou substituir os acessórios, bem como quando transportar ou guardar a ferramenta.

ACESSÓRIOS

- A SKIL apenas pode assegurar um funcionamento sem defeitos da ferramenta quando utilizados acessórios originais.
- Utilize apenas acessórios com uma velocidade admissível que corresponda, pelo menos, à velocidade mais elevada sem carga da ferramenta.

ANTES DA UTILIZAÇÃO

- Evite danos que possam ser causados por parafusos, pregos e outros elementos na sua peça a ser trabalhada. Retire-os antes de começar o trabalho.
- **Fixe a peça a ser trabalhada** (uma peça a ser trabalhada fixada num torno ou dispositivo de fixação está mais segura do que sendo segurada à mão).
- **Use detetores adequados para encontrar estas linhas na área de trabalho, ou contacte a empresa local da respetiva utilidade para obter ajuda.** O contacto com linhas elétricas pode dar origem a fogo ou choque elétrico; danificar uma tubagem do gás pode dar origem a explosão; penetrar um tubo de água pode causar danos patrimoniais ou choque elétrico.

BATERIAS

- **A bateria fornecida vem parcialmente carregada.** Para garantir a capacidade completa da bateria, carregue por completo a bateria no carregador antes de usar a sua ferramenta elétrica pela primeira vez.
- **Use apenas as seguintes baterias e carregadores com esta ferramenta**
 - Bateria SKIL: BR1*31****
 - Carregador SKIL: CR1*31****
- Não use a bateria danificada. Esta deverá ser substituída imediatamente.
- Não desmonte a bateria.
- Não exponha a ferramenta/bateria à chuva.
- Temperatura ambiente permitida (ferramenta/carregador/bateria):
 - A carregar: 4 - 40 °C
 - Durante o funcionamento: -20 - 50 °C
 - Durante o armazenamento: -20 - 50 °C

EXPLICAÇÃO DOS SÍMBOLOS NA FERRAMENTA/BATERIA

- ③ Leia o manual de instruções antes da utilização.
- ④ As baterias podem explodir quando atiradas para o fogo, por isso, nunca queime uma bateria.
- ⑤ Guarde a ferramenta/carregador/bateria num local onde a temperatura não exceda os 50 °C.
- ⑥ Não elimine ferramentas elétricas juntamente com o lixo doméstico comum.

UTILIZAÇÃO

- Carregar a bateria
 - ! **Leia os avisos de segurança e as instruções fornecidas com o carregador.**
- Remover/Instalar a bateria ②
- Indicador do nível da bateria ⑦
 - Prima o botão do indicador do nível da bateria H para ver o atual nível da bateria ⑦a
 - ! **Quando o nível mais baixo do indicador da bateria começar a piscar após premir o botão H ⑦b, a bateria está descarregada.**
 - ! **Quando 2 níveis do indicador da bateria**

começarem a piscar após premir o botão H(7)c, a bateria não se encontra dentro da temperatura de funcionamento permitida.

- Proteção da bateria
A ferramenta desliga-se de repente ou é impossível ligá-la quando
 - a carga é muito grande -> retire a carga e reinicie
 - a temperatura da bateria não se encontra dentro do raio da temperatura de funcionamento permitida de -20 a +50 °C -> 2 níveis do indicador do nível da bateria começam a piscar quando prime o botão H(7)c; espere que a bateria volte ao raio da temperatura de funcionamento permitida.
 - a bateria está quase gasta (para proteger contra grandes descargas) -> é apresentado um baixo nível da bateria ou a piscar (7)b no indicador do nível da bateria quando prime o botão H; carregue a bateria.

! Não continue a premir o interruptor de ligar/desligar após a ferramenta se desligar automaticamente. A bateria pode ficar danificada.

- Fixar o clipe para o cinto (8)
 - Fixe o clipe para o cinto L na chave com o parafuso fornecido.
- Alterar a direção de rotação (9)
 - Quando não estiver devidamente colocado na posição esquerda/direita, o interruptor E(2) não pode ser ativado.

! Altere a direção de rotação apenas quando a ferramenta parar por completo.

- Interruptor combinado para ligar/desligar (10) e controlo da velocidade (11)
 - Controle a velocidade uniformemente do zero ao máximo fazendo mais ou menos pressão em E(2)

- Luz LED (12)
 - A luz LED acende quando ativar o interruptor de ligar/desligar E, ou quando prime o botão da luz LED F ou botão do modo G.
 - Prima o botão da luz LED para selecionar a luminosidade desejada:

Baixa luminosidade - desliga-se passado cerca de 10 segundos após ter libertado o interruptor de ligar/desligar.

Alta luminosidade - desliga-se passado cerca de 600 segundos após ter libertado o interruptor de ligar/desligar.

! Quando a luz LED começar a piscar rapidamente, a proteção da bateria é ativada (consulte acima).

- Seleção do modo (13)
 - Prima o botão do modo G para selecionar o modo desejado:

Modo de baixa velocidade (a luz “1” acende a verde) (13a)

- Apertar com menos binário e menos velocidade
- Para parafusos pequenos

Modo de velocidade média (as luzes “1 e 2” acendem a verde) (13b)

- Apertar com binário e velocidade médios
- Para parafusos de aplicações médias

Modo de alta velocidade (as luzes “1, 2 e 3” acendem a verde) (13c)

- Apertar com o máximo de força e velocidade
- Para parafusos grandes

Modo de controlo invertido (a luz “RM” acende a verde) (13d)

- Para desapertar porcas e parafusos
 - Pára quando o parafuso ou porca estiver desapertado.
- ! O modo de controlo só está disponível na rotação para trás. Na rotação para a frente, é usado para a velocidade alta.**

! Os modos só podem ser alterados quando os LEDs verdes estiverem ativados e quando a ferramenta estiver completamente parada.

- Instalar e retirar chaves de caixa (14)
 - Para instalar uma chave de caixa, basta pressioná-la para o condutor quadrado D.
 - Para retirar uma chave de caixa, basta puxá-la para fora do condutor quadrado D.
- ! Use apenas chaves de caixa com um condutor quadrado de 3/8” (14a).**
- ! Use o adaptador M para chaves de caixa com um condutor quadrado de 1/2” (14b).**
- ! Não use chaves de caixa danificadas.**
 - Segurar e orientar a ferramenta (15)
 - ! Durante o trabalho, segure sempre a ferramenta pelas áreas cinzentas.**
 - Mantenha as ranhuras de ventilação B(2) desobstruídas.
 - Não aplique demasiada pressão na ferramenta. Deixe a ferramenta trabalhar por si.

CONSELHOS DE APLICAÇÃO

- Use a cabeça de aparafusar adequada.
- Quando enroscar um parafuso perto de uma extremidade transversal ou na extremidade de madeira, faça previamente um orifício para evitar lascas a madeira.
- Para uma utilização ótima da ferramenta, tem de fazer uma pressão constante no parafuso, especialmente quando o retirar.
- Quando enroscar um parafuso em madeira dura, deverá fazer primeiro um orifício piloto.
- Para mais informações, consulte www.skil.com.


MANUTENÇÃO / REPARAÇÃO

- Esta ferramenta não foi criada para utilização profissional.
- Mantenha sempre a ferramenta limpa (especialmente as ranhuras de ventilação B(2)).
 - ! Retire a bateria da ferramenta antes de proceder à limpeza.**
- Se a ferramenta falhar apesar dos cuidados de fabrico e procedimentos de teste, a reparação deverá ser efetuada por um centro de reparação pós-venda autorizado para ferramentas elétricas SKIL
 - Envie a ferramenta desmontada, juntamente com a prova de compra, para o seu representante ou ponto de reparação SKIL mais próximo (os endereços e também os esquemas de reparação estão listados em www.skil.com).
 - Tenha em conta que danos devido a sobrecarga ou manuseamento inadequado da ferramenta não são abrangidos pela garantia (para saber as condições da garantia SKIL, consulte www.skil.com ou informe-se com o seu revendedor).

AMBIENTE

- Não elimine ferramentas elétricas, baterias,

acessórios e embalagens juntamente com o lixo doméstico comum (apenas para países da UE).

- Em conformidade com a Diretiva Europeia 2012/19/CE relativa aos resíduos de equipamento elétrico e eletrônico e respetiva implementação em conformidade com as leis nacionais, ferramentas elétricas que tenham atingido o final do seu ciclo de vida devem ser recolhidas separadamente e entregues em instalações de reciclagem ambientalmente compatíveis.
 - O símbolo  serve para lembrar isto quando for necessária a eliminação.
- ! Antes da eliminação, proteja os terminais da bateria com fita resistente, para evitar um curto-circuito.**

RUÍDO/VIBRAÇÃO

- Medido de acordo com a EN62841. O nível de pressão do som desta ferramenta é de 88 dB(A), e o nível de potência do som é de 99 dB(A) (incerteza K = 3 dB), e a vibração 9,1 m/s² (soma vetorial das 3 direções; incerteza K = 1,5 m/s²)
 - O nível de emissão da vibração foi medido de acordo com um teste padronizado da norma EN 62841. Pode ser usado para comparar duas ferramentas e como avaliação preliminar da exposição à vibração quando usar a ferramenta para as aplicações mencionadas.
 - Usar a ferramenta para diferentes aplicações, ou com acessórios diferentes ou mal mantidos, pode aumentar significativamente o nível de exposição.
 - As vezes que a ferramenta é desligada ou quando estiver a funcionar, mas sem estar a efetuar o trabalho, pode reduzir significativamente o nível de exposição.
- ! Proteja-se dos efeitos das vibrações realizando a manutenção da ferramenta e dos seus acessórios, mantendo as mãos quentes e organizando os seus padrões de trabalho.**

I

Chave a impulsos cordless brushless

3265

INTRODUZIONE

- Questo utensile è progettato per avvitare e svitare viti e bulloni.
- Questo utensile non è destinato all'uso professionale.
- In caso di parti mancanti o danneggiate, contattare il rivenditore.
- **Leggere attentamente il manuale di istruzioni prima dell'uso e conservarlo per riferimento futuro.**
- **Prestare particolare attenzione alle avvertenze e istruzioni di sicurezza. Il mancato rispetto comporta il rischio di lesioni gravi.**

SPECIFICHE TECNICHE ①

Coppia max. per applicazioni di avvitatura ai sensi di ISO 5393: 250Nm

COMPONENTI DELL'UTENSILE ②

- A Selettore della direzione (avanti/bloccaggio/indietro)
- B Aperture di ventilazione
- C Luce LED
- D Attacco quadrato
- E Interruttore di avvio/arresto con controllo di velocità variabile
- F Interruttore della luce LED
- G Selettore della modalità
- H Pulsante dell'indicatore del livello della batteria
- J Vano per punte
- K Fermaglio per laccio
- L Clip per cintura
- M Adattatore*

*NON INCLUSO NELLA VERSIONE STANDARD

SICUREZZA

AVVERTENZE DI SICUREZZA COMUNI A TUTTI GLI UTENSILI ELETTRICI

! AVVERTENZA! Consultare tutte le avvertenze di sicurezza, le istruzioni, le illustrazioni e le specifiche fornite insieme a questo utensile elettrico. Il mancato rispetto delle istruzioni sotto riportate comporta il rischio di scossa elettrica, incendio e/o gravi infortuni.

Conservare tutte le avvertenze e le istruzioni per futuro riferimento.

Il termine "utensile elettrico" utilizzato nelle avvertenze indica un utensile elettrico alimentato tramite rete elettrica (con cavo) o batterie (senza cavo).

1) SICUREZZA DELL'AREA DI LAVORO

- Mantenere l'area di lavoro pulita e ben illuminata.** Il disordine e la scarsa illuminazione favoriscono gli incidenti.
- Non usare gli utensili elettrici in atmosfere esplosive, ad esempio in presenza di liquidi, gas o polveri infiammabili.** Gli utensili elettrici creano scintille che possono incendiare polveri o fumi.
- Durante l'uso dell'utensile elettrico, tenere a distanza i bambini e le persone presenti.** Le distrazioni possono far perdere il controllo.

2) SICUREZZA ELETTRICA

- Le spine degli utensili elettrici devono essere adatte al tipo di presa. Non modificare la spina in alcun modo. Non usare adattatori con gli utensili elettrici dotati di messa a terra (collegati a massa).** L'uso di spine originali corrispondenti al tipo di presa riduce il rischio di scossa elettrica.
- Evitare il contatto del corpo con superfici collegate a terra come tubi, radiatori, fornelli elettrici e frigoriferi.** Il rischio di scossa elettrica aumenta se il proprio corpo è collegato a terra.
- Non esporre gli utensili elettrici a pioggia o umidità.** L'infiltrazione di acqua all'interno di un utensile elettrico aumenta il rischio di scossa elettrica.
- Non utilizzare il cavo in modo improprio. Non usare il cavo per trasportare, tirare o scollegare l'utensile elettrico dalla presa di corrente. Tenere il cavo al riparo da calore, olio, bordi taglienti o parti in movimento.** La presenza di cavi danneggiati o

- aggravigliati aumenta il rischio di scossa elettrica.
- e) **Durante l'uso di un utensile elettrico all'aperto, utilizzare una prolunga idonea per ambienti esterni.** L'uso di un cavo idoneo riduce il rischio di scossa elettrica.
- f) **Se è necessario lavorare in un luogo umido, utilizzare un circuito elettrico dotato di interruttore differenziale (RCD).** L'uso di un interruttore differenziale riduce il rischio di scossa elettrica.
- 3) SICUREZZA PERSONALE**
- a) **Durante l'uso di un utensile elettrico, prestare sempre la massima attenzione e utilizzare il buon senso. Non usare un utensile elettrico se si è stanchi o sotto l'effetto di droghe, alcol o farmaci.** Anche un solo momento di disattenzione durante l'uso dell'utensile elettrico può provocare gravi infortuni.
- b) **Indossare dispositivi di protezione individuale. Indossare dispositivi di protezione per gli occhi.** I dispositivi di protezione individuale come maschere antipolvere, calzature antiscivolo, caschi e cuffie per le orecchie, se utilizzati quando le circostanze lo richiedono, riducono il rischio di infortuni.
- c) **Prevenire l'avvio accidentale. Assicurarsi che l'interruttore sia in posizione di arresto prima di sollevare, trasportare o collegare l'utensile elettrico alla presa di corrente e/o alla batteria.** Per ridurre il rischio di incidenti, non trasportare gli utensili elettrici tenendo le dita sull'interruttore e non collegarli alla fonte di alimentazione se l'interruttore è in posizione di avvio.
- d) **Rimuovere eventuali chiavi di regolazione o avvitarlo prima di avviare l'utensile elettrico.** Una chiave rimasta inserita in un elemento mobile dell'utensile elettrico può provocare infortuni.
- e) **Non allungarsi eccessivamente. Mantenere sempre un buon equilibrio evitando posizioni instabili.** Ciò assicura un miglior controllo dell'utensile elettrico in situazioni impreviste.
- f) **Vestirsi in modo adeguato. Non indossare indumenti ampi o gioielli. Tenere capelli e indumenti lontani dalle parti in movimento.** Indumenti ampi, gioielli o capelli lunghi possono rimanere impigliati nelle parti in movimento.
- g) **Se sono disponibili dei dispositivi per l'estrazione e la raccolta della polvere, assicurarsi che siano collegati e utilizzati correttamente.** L'uso di tali dispositivi può ridurre i rischi derivanti dalla polvere.
- h) **Non lasciare che la familiarità con l'utensile (derivata da un uso frequente) abbassi il livello di attenzione.** Anche una minima distrazione può causare gravi infortuni.
- 4) USO E MANUTENZIONE DELL'UTENSILE ELETTRICO**
- a) **Non forzare l'utensile elettrico. Utilizzare l'utensile più adatto al lavoro da svolgere.** Un utensile elettrico corretto è più sicuro ed efficace al regime per cui è stato progettato.
- b) **Non usare l'utensile elettrico se l'interruttore non funziona correttamente.** Un utensile elettrico che non può essere controllato dall'interruttore è pericoloso e deve essere riparato.
- c) **Rimuovere il gruppo batteria, se removibile, e/o scollegare l'utensile elettrico dalla rete elettrica prima di regolarlo, riporlo o sostituire gli accessori**
- Tali misure preventive riducono il rischio di avvio accidentale dell'utensile elettrico.**
- d) **Riporre gli utensili elettrici fuori dalla portata dei bambini e non permetterne l'uso a persone che non hanno familiarità con l'utensile o con queste istruzioni.** Gli utensili elettrici sono pericolosi se utilizzati da persone non competenti.
- e) **Mantenere gli utensili elettrici e gli accessori in buono stato. Verificare che le parti mobili non siano disallineate o inceppate, che i componenti non siano danneggiati e che non siano presenti altri problemi che potrebbero pregiudicare il corretto funzionamento dell'utensile elettrico. Se l'utensile elettrico è danneggiato, farlo riparare prima di utilizzarlo nuovamente.** Molti incidenti sono provocati da utensili elettrici in cattive condizioni.
- f) **Mantenere gli accessori di taglio puliti e affilati.** Un'adeguata manutenzione e affilatura degli accessori da taglio riduce il rischio di inceppamento e facilita il controllo dell'utensile elettrico.
- g) **Usare l'utensile elettrico, gli accessori, le punte ecc. conformemente a queste istruzioni, tenendo conto delle condizioni dell'area di lavoro e del tipo di lavoro da svolgere.** L'uso dell'utensile elettrico per operazioni diverse da quelle per cui è progettato può comportare situazioni di pericolo.
- h) **Mantenere le impugnature e le superfici di presa asciutte, pulite e prive di olio o grasso.** Impugnature e superfici di presa scivolose non garantiscono l'uso sicuro e il controllo dell'utensile in situazioni impreviste.
- 5) USO E MANUTENZIONE DEGLI UTENSILI A BATTERIA**
- a) **Ricaricare la batteria esclusivamente con il caricabatteria specificato dal costruttore.** Un caricabatteria adatto a un certo tipo di gruppo batteria comporta il rischio di incendio se utilizzato con gruppi batteria di tipo diverso.
- b) **Usare gli utensili esclusivamente con i gruppi batteria specificamente progettati.** L'uso di altri gruppi batteria comporta il rischio di incendio e infortunio.
- c) **Quando il gruppo batteria non è in uso, tenerlo lontano da piccoli oggetti metallici, ad esempio graffette, monete, chiavi, chiodi, viti ecc.** poiché potrebbero creare un collegamento tra i due terminali. Il cortocircuito dei terminali della batteria comporta il rischio di incendio o ustioni.
- d) **L'utilizzo improprio può causare fuoriuscite di liquido dalla batteria: evitare il contatto con tale liquido. In caso di contatto accidentale, lavare con acqua. Se il liquido entra a contatto con gli occhi, consultare un medico.** Il liquido fuoriuscito dalla batteria può causare irritazioni o ustioni.
- e) **Non usare gruppi batteria o utensili danneggiati o modificati.** Le batterie danneggiate o modificate possono manifestare comportamenti imprevisti, con il rischio di incendio, esplosione o infortunio.
- f) **Non esporre il gruppo batteria o l'utensile a fiamme o temperature eccessive.** L'esposizione a fiamme o temperature superiori a 130°C comporta il rischio di esplosione.
- g) **Rispettare tutte le istruzioni relative alla ricarica e non ricaricare il gruppo batteria o l'utensile a temperature diverse da quelle specificate nelle**

Istruzioni. Una ricarica eseguita in modo improprio o a temperature diverse da quelle specificate può danneggiare la batteria e aumentare il rischio di incendio.

6) RIPARAZIONI

- a) **Affidare la riparazione dell'utensile a personale qualificato e utilizzare esclusivamente parti di ricambio identiche.** Ciò garantisce la sicurezza dell'utensile elettrico.
- b) **Non riparare gruppi batteria danneggiati.** La riparazione dei gruppi batteria deve essere effettuata esclusivamente dal costruttore o da un centro di assistenza autorizzato.

AVVERTENZE DI SICUREZZA SPECIFICHE PER CHIAVI A IMPULSI CORDLESS

- **Tenere l'utensile elettrico esclusivamente tramite le impugnature isolanti durante le operazioni in cui l'accessorio di taglio può entrare a contatto con cavi elettrici nascosti.** Se l'accessorio di taglio tocca un cavo elettrificato può trasmettere la corrente alle parti metalliche dell'utensile, esponendo l'operatore al rischio di scossa elettrica.

AVVERTENZE GENERALI

- Polveri derivanti da materiali come rivestimenti a base di piombo, alcuni tipi di legno, metallo e minerali possono essere tossiche. Toccare o respirare tali polveri può causare, all'utente o alle persone presenti, reazioni allergiche e/o infiammazioni alle vie respiratorie.
Indossare una maschera antipolvere e usare sistemi di estrazione della polvere, se disponibili.
- Alcuni tipi di polveri, ad esempio quelle di quercia e faggio, sono considerate cancerogene, in particolare se il legno è stato trattato (con cromo o preservanti per legno).
Indossare una maschera antipolvere e usare sistemi di estrazione della polvere, se disponibili.
- Rispettare le normative nazionali rilevanti in merito ai materiali con cui si desidera lavorare.
- Non lavorare materiali contenenti amianto. L'amianto è considerato una sostanza cancerogena.
- Assicurarsi che il selettore della direzione A② sia in posizione di bloccaggio (centrale) prima di eseguire qualsiasi regolazione, sostituire gli accessori e trasportare o riporre l'utensile.

ACCESSORI

- SKIL assicura il corretto funzionamento dell'utensile se sono utilizzati accessori originali.
- Utilizzare esclusivamente accessori la cui velocità consentita è almeno equivalente alla velocità a vuoto massima dell'utensile.

PRIMA DELL'USO

- Rimuovere eventuali viti, chiodi e altri elementi presenti nel pezzo in lavorazione per evitare che causino danni.
- **Fissare il pezzo in lavorazione** (un pezzo fissato con appositi dispositivi o una morsa è bloccato più saldamente).
- **Rilevare l'eventuale presenza di cavi elettrici o tubature nascosti nell'area di lavoro con appositi rilevatori o contattando le relative società responsabili.** Il contatto con cavi elettrici comporta il rischio di incendio e scossa elettrica; il danneggiamento di tubi del gas comporta il rischio di esplosione; la rottura di un tubo dell'acqua comporta il rischio di danni materiali o scossa elettrica.

BATTERIE

- **La batteria inclusa è parzialmente carica.** Per garantire la piena capacità della batteria, ricaricarla completamente con il caricabatteria prima di usare l'utensile per la prima volta.
- **Utilizzare esclusivamente le batterie e i caricabatteria elencati di seguito con questo utensile.**
 - Batteria SKIL: BR1*31****
 - Caricabatteria SKIL: CR1*31****
- Non utilizzare la batteria se è danneggiata. Sostituirla immediatamente.
- Non disassemblare la batteria.
- Non esporre l'utensile o la batteria alla pioggia.
- Temperature ambientali (utensile/caricabatteria/batteria):
 - Durante la ricarica: da 4°C a 40°C
 - Durante l'uso: da -20°C a +50°C
 - Durante la conservazione: da -20°C a +50°C

SIGNIFICATO DEI SIMBOLI SULL'UTENSILE E SULLA BATTERIA

- ③ Leggere il manuale di istruzioni prima dell'uso.
- ④ Le batterie possono esplodere se gettate nel fuoco. Pertanto, non bruciarle per alcun motivo.
- ⑤ Riporre l'utensile, il caricabatteria e la batteria in ambienti la cui temperatura non supera i 50°C.
- ⑥ Non smaltire l'utensile e le batterie insieme ai rifiuti domestici.

UTILIZZO

- Ricarica della batteria
! Leggere le istruzioni e le avvertenze di sicurezza fornite insieme al caricabatteria.
- Rimozione/inserimento della batteria ②
- Indicatore del livello della batteria ⑦
 - Premere il pulsante dell'indicatore del livello della batteria H per visualizzare il livello di carica corrente della batteria ⑦a
 - ! Quando l'ultima barra dell'indicatore del livello della batteria inizia a lampeggiare dopo aver premuto il pulsante H⑦b, la batteria è scarica**
 - ! Quando 2 barre dell'indicatore del livello della batteria iniziano a lampeggiare dopo aver premuto il pulsante H⑦c, la temperatura della batteria è fuori dai valori che ne consentono il funzionamento.**
- Protezione della batteria
L'utensile si arresta automaticamente, o non si avvia, nei seguenti casi:
 - **Il carico è eccessivo.** --> Rimuovere il carico e riavviare l'utensile.
 - **La temperatura della batteria è inferiore a -20°C o superiore a +50°C.** --> 2 barre dell'indicatore del livello della batteria iniziano a lampeggiare dopo aver premuto il pulsante H⑦c. Attendere che la batteria raggiunga la temperatura di funzionamento corretta.
 - **La batteria è quasi scarica (protezione contro lo scaricamento profondo).** --> Il livello di carica della batteria è indicato da una barra lampeggiante ⑦b sopra aver premuto il pulsante H. Ricaricare la batteria.
- **! Non premere l'interruttore di avvio/arresto dopo l'arresto automatico dell'utensile per evitare di danneggiare la batteria.**
- Installazione della clip per cintura ⑧
 - Fissare la clip per cintura L all'utensile con la vite

- fornita.
- Selezione della direzione di rotazione ⑨
 - Se il selettore della direzione non è posizionato a destra o a sinistra, l'interruttore E② non può essere attivato.
 - ! **Modificare la direzione di rotazione esclusivamente quando l'utensile è completamente fermo.**
 - Interruttore di avvio/arresto ⑩ con controllo di velocità variabile ⑪
 - Variare la pressione sull'interruttore E② per regolare la velocità fino al livello massimo.
 - Luce LED ⑫
 - La luce LED si accende automaticamente alla pressione dell'interruttore di avvio/arresto E, o premendo l'interruttore della luce LED F o il selettore della modalità G.
 - Premere l'interruttore della luce LED per selezionare il livello di luminosità.

Bassa luminosità: la luce si spegne dopo circa 10 secondi dal rilascio dell'interruttore di avvio/arresto.

Alta luminosità: la luce si spegne dopo circa 600 secondi dal rilascio dell'interruttore di avvio/arresto.
 - ! **Quando la luce LED inizia a lampeggiare rapidamente, la funzione di protezione della batteria si è attivata (come descritto in precedenza).**
 - Selezione della modalità ⑬
 - Premere il selettore della modalità G per selezionare la modalità operativa.
 - Modalità a bassa velocità (l'indicatore "1" si accende di verde) ⑬a**
 - Serraggio con una coppia minore e a bassa velocità.
 - Per viti e bulloni piccoli.
 - Modalità a velocità intermedia (gli indicatori "1" e "2" si accendono di verde) ⑬b**
 - Serraggio con una coppia intermedia e a media velocità.
 - Per applicazioni di media intensità.
 - Modalità a velocità intermedia (gli indicatori "1", "2" e "3" si accendono di verde) ⑬c**
 - Serraggio con la massima forza e velocità.
 - Per viti e bulloni grandi.
 - Modalità inversa controllata (l'indicatore "RM" si accende di verde) ⑬d**
 - Per allentare viti e bulloni.
 - L'utensile si arresta quando la vite o il bullone è allentato.
 - ! **La modalità controllata è disponibile esclusivamente per la rotazione inversa. Durante la rotazione in avanti è utilizzata per l'alta velocità.**
 - ! **È possibile cambiare la modalità operativa esclusivamente quando gli indicatori verdi sono accesi e l'utensile è completamente fermo.**
 - Installazione e rimozione delle bussole ⑭
 - Per installare una bussola, fissarla direttamente all'attacco quadrato D.
 - Per rimuovere una bussola, tirarla direttamente dall'attacco quadrato D.
 - ! **Usare esclusivamente bussole con attacco quadrato 3/8" ⑭a**
 - ! **Usare l'adattatore M con bussole con attacco quadrato 1/2" ⑭b.**

! **Non usare bussole danneggiate.**

- Manipolazione e controllo dell'utensile ⑮
- ! **Durante l'uso, tenere l'utensile afferrando le aree evidenziate in grigio.**
 - Non coprire le aperture di ventilazione B②.
 - Non applicare una pressione eccessiva sull'utensile; lasciare che l'utensile svolga il lavoro senza forzarlo.

SUGGERIMENTI PER L'USO

- Utilizzare una punta adatta.
- Durante l'inserimento di una vite in prossimità del bordo di un pannello in legno, praticare un foro pilota per evitare la spaccatura del legno.
- Per un utilizzo ottimale dell'utensile è necessario applicare una pressione costante sulla vite, in particolare durante la rimozione.
- Durante l'inserimento di una vite nel legno duro, praticare sempre un foro pilota.
- Per ulteriori informazioni, visitare il sito web www.skil.com

MANUTENZIONE E RIPARAZIONE

- Questo utensile non è destinato all'uso professionale.
- Mantenere l'utensile sempre pulito (in particolare le aperture di ventilazione B②).
- ! **Rimuovere la batteria dall'utensile prima di pulirlo.**
- Se l'utensile presenta malfunzionamenti nonostante l'attenzione durante la fabbricazione e il collaudo, deve essere riparato da un centro di assistenza autorizzato SKIL.
 - Portare l'utensile senza disassemblarlo insieme a una prova di acquisto presso il rivenditore o a un centro di assistenza SKIL (gli indirizzi e la vista esplosa dell'utensile sono riportati sul sito web www.skil.com).
 - Nota: i danni causati dal sovraccarico o da un utilizzo improprio dell'utensile non sono coperti dalla garanzia (le condizioni della garanzia SKIL sono consultabili sul sito web www.skil.com o presso il rivenditore).

PROTEZIONE AMBIENTALE

- **Non smaltire gli utensili, le batterie, gli accessori e i materiali di imballaggio insieme ai rifiuti domestici** (solo per i Paesi UE).
 - Ai sensi della direttiva europea 2012/19/EC sui rifiuti di apparecchiature elettriche ed elettroniche e alla sua implementazione nella legislazione nazionale, gli utensili elettrici devono essere raccolti separatamente e portati presso un'apposita struttura di riciclaggio.
 - Il simbolo ⑥ indica tale obbligo.
- ! **Prima dello smaltimento, proteggere i terminali della batteria con del nastro isolante per evitare il rischio di corto circuito.**

EMISSIONE ACUSTICA E VIBRAZIONI

- I valori di emissioni acustica e delle vibrazioni sono stati misurati conformemente a EN62841. Il livello di pressione sonora dell'utensile è di 88 dB(A) e il livello di potenza sonora è di 99 dB(A) (incertezza K = 3 dB). Il livello di vibrazioni è 9,1 m/s² (somma vettoriale triassiale; incertezza K = 1,5 m/s²).
- Il valore totale di emissioni delle vibrazioni è stato misurato con il metodo valutazione standard prescritto da EN62841 e può essere utilizzato per confrontare

l'utensile con altri prodotti analoghi e per una valutazione preliminare dei livelli di esposizione.

- L'utilizzo dell'utensile per altri scopi, o l'utilizzo di accessori diversi o in cattive condizioni, può aumentare significativamente il livello di esposizione.
- Il periodo in cui l'utensile è spento, o è in funzione ma non in uso, può ridurre significativamente il livello di esposizione.

! Per proteggersi dagli effetti delle vibrazioni, mantenere l'utensile e gli accessori in buono stato, tenere le mani calde e pianificare il lavoro.

H

Szénkefe és vezeték nélküli útvecsavarozó 3265

BEVEZETÉS

- Ezt a szerszámot csavarok és anyák becsavarásához és meglazításához tervezték
- Ez a szerszám nem professzionális használatra készült
- Hiányzó vagy sérült alkatrész esetén forduljon a kereskedőhöz
- **A használat előtt gondosan olvassa el ezt a használati útmutatót és tartsa meg, hogy később is használhassa** ③
- **Fordítson különös figyelmet a biztonsági utasításokra és figyelmeztetésekre; ezek figyelmen kívül hagyása súlyos sérüléseket eredményezhet**

MŰSZAKI ADATOK ①

Maximális forgatónyomaték kemény csavarozásnál az ISO 5393 szerint: 250Nm

A SZERSZÁM RÉSZEI ②

- A** Forgásirány (előre/középső zár/hátra) választó
- B** Szellőzőnyílások
- C** LED-fény
- D** Négyzetgáttétel
- E** Be/Ki kapcsoló és sebességszabályozó
- F** LED világítás gomb
- G** Üzem módváltató gomb
- H** Akkumulátor töltöttségi szintjét jelző gomb
- J** Bittároló terület
- K** Pántrögzítési terület
- L** Övkapocs
- M** Adapter*

*NEM STANDARD TARTOZÉK

BIZTONSÁG

AZ ELEKTROMOS SZERSZÁMOKRA VONATKOZÓ ÁLTALÁNOS BIZTONSÁGI FIGYELMEZTETÉSEK

⚠ FIGYELMEZTETÉS Olvassa el az elektromos kéziszerszámhoz mellékelt összes biztonsági figyelmeztetést, utasítást, ábrát és specifikációt. Az alább felsorolt utasítások be nem tartása áramütést, tűzveszélyt és/vagy súlyos sérülést idézhet elő.

Örizzen meg minden figyelmeztetést és utasítást, hogy

később is elő tudja majd venni.

Az „elektromos kéziszerszám” megnevezés a figyelmeztetéseken egyaránt vonatkozik a hálózati feszültségről működtetett (vezetékes) elektromos kéziszerszámokra, valamint az akkumulátorról működtetett (vezeték nélküli) elektromos kéziszerszámokra.

1) MUNKATERÜLETI BIZTONSÁG

- a) A munkaterület legyen tiszta és jól megvilágított.** A munkaterületen uralkodó rendetlenségnek vagy a rossz megvilágításnak baleset lehet a következménye.
- b) Ne használjon elektromos szerszámokat robbanásveszélynek kitett környezetben, például olyan helyen, ahol éghető folyadékok, gázok vagy porok találhatóak.** Az elektromos szerszámok szikrákat képeznek, amelyek meggyújthatják a porokat vagy gázokat.
- c) Tartsa távol a gyermekeket és az illetéktelen személyeket, amikor elektromos szerszámmal dolgozik.** Ha megzavarják, elveszítheti uralmát a készülék felett.

2) ELEKTROMOS BIZTONSÁG

- a) Az elektromos szerszám hálózati csatlakozódugójának illeszkednie kell az elektromos aljzathoz. Soha és semmiképpen se módosítsa a csatlakozódugót. Ne használjon adapteres csatlakozódugókat a földelt elektromos szerszámokhoz.** Az eredeti csatlakozódugó és megfelelő hálózati aljzat alkalmazásával megelőzi az áramütés veszélyét.
 - b) Ne érjen földelt felületekhez, ilyenek pl. a csövek, fűtőtestek, tűzhelyek vagy hűtőszekrények.** Az áramütés kockázata nagyobb, ha a teste le van földelve.
 - c) Ne tegye ki az elektromos szerszámot esőnek vagy nedves környezetnek.** Az elektromos szerszámba bekerülő víz megnöveli az áramütés kockázatát.
 - d) Ne használja a kábel helytelen módon. Soha ne használja a kábelt az elektromos szerszám hordozására, húzására vagy lecsatlakoztatására. Tartsa távol a vezetékét hőtől, olajtól, éles szegélyektől és mozgó alkatrészekről.** A sérült vagy összegabalyodott hálózati kábelek megnövelik az áramütés veszélyét.
 - e) Az elektromos szerszám szabadtéri üzemeltetéséhez használjon szabadtéren használható hosszabbító kábelt.** A szabadtéren használt kábel alkalmazása csökkenti az áramütés kockázatát.
 - f) Ha elkerülhetetlen az elektromos szerszám használata nedves helyen, használjon földzárlat-megszakítóval (FI-relé) ellátott tápellátást.** A FI-relé használata csökkenti az áramütés veszélyét.
- #### 3) SZEMÉLYI BIZTONSÁG
- a) Legyen figyelmes, ügyeljen arra, amit csinál, és józan ésszel fogjon a munkához, ha elektromos szerszámmal használ.** Ne használja az elektromos szerszámot, ha fáradtnak érzi magát, vagy ha kábítószert, alkoholt vagy gyógyszereket használ. Az elektromos szerszám üzemeltetése közben egy pillanatnyi figyelmetlenség is súlyos személyi sérülést okozhat.
 - b) Használjon egyéni védőfelszerelést. Mindig viseljen**

védőszemüveget. A védőfelszerelések, mint például porvédő maszk, csúszásmentes lábbeli, sisak és hallásvédő rendeltetészerű használata révén csökkenteni a személyi sérülések veszélyét.

- c) **Akadályozza meg a véletlen indítást. Ügyeljen arra, hogy a kapcsoló kikapcsolt állásban legyen, mielőtt az áramforráshoz és/vagy az akkumulátoregységhez csatlakoztatja, felveszi vagy viszi a szerszámot.** Balesetekre vezethet, ha a hálózatra csatlakoztatott szerszámot úgy viszi, hogy közben az uja a bekapcsoló gombon van, vagy ha a hálózati csatlakozódugót olyankor dugja be az aljzatba, amikor a szerszám be van kapcsolva.
- d) **Vegye ki a csavarkulcsot és a beállító szerszámot, mielőtt az elektromos kéziszerszámot bekapcsolná.** Az elektromos szerszám mozgó alkatrészén felejtett csavarkulcs vagy eszköz személyi sérülést okozhat.
- e) **Ne hajoljon a szerszám fölé. Vegyen fel stabil testhelyzetet, és mindig tartsa meg az egyensúlyát.** Ezáltal jobban tudja irányítani az elektromos szerszámot a legváratlanabb helyzetben is.
- f) **Viseljen megfelelő ruházatot. Ne viseljen laza ruházatot vagy ékszereket. A haj és a ruházat ne érjen a mozgó részekhez.** A laza ruházatot, az ékszer vagy a hosszú haját becsipphetik a mozgó alkatrészek.
- g) **Ha az elektromos szerszámot porelszívó vagy porfelfogó eszközzel szerelik fel, akkor győződjön meg arról, hogy ezek előírászerűen vannak-e csatlakoztatva, és használja őket a rendeltetésüknek megfelelően.** Porgyűjtő használata csökkentheti a porral járó veszélyeket.
- h) **Ne hagyja, hogy a rendszeres használat során megszerzett tapasztalat miatt túl magabiztossá váljon, és emiatt figyelmen kívül hagyja a biztonsági irányelveket.** Egy óvatlan cselekedet a másodperc töredéke alatt súlyos sérülést okozhat.
- 4) **AZ ELEKTROMOS SZERSZÁM ÜZEMELTETÉSE ÉS GONDOZÁSA**
- a) **Ne terhelje túl az elektromos szerszámot. A munkájához használja az arra alkalmas elektromos kéziszerszámot.** A megfelelő elektromos szerszámmal jobban és biztonságosabban dolgozhat a megadott teljesítményhatárokon belül.
- b) **Ne használja az elektromos szerszámot, ha nem lehet a bekapcsoló gomb segítségével be- vagy kikapcsolni.** Az olyan elektromos szerszám, amely nem irányítható a kapcsolóval, veszélyes és javításra szorul.
- c) **Húzza ki a hálózati csatlakozó dugót az aljzatról és/vagy vegye ki az akkumulátoregységet (ha kivethető) az elektromos szerszámából, mielőtt beállításokat végezne, tartozékot cserélné vagy az elektromos szerszámot elrakná.** Az ilyen megelőző biztonsági óvintézkedések csökkentik az elektromos szerszám véletlen beindításának kockázatát.
- d) **A használaton kívüli elektromos szerszámokat gyermekektől távol tárolja, és ne engedje meg, hogy olyan személyek használják az elektromos szerszámot, akik nem ismerik azt, vagy nincsenek tisztában ezekkel a biztonsági utasításokkal.** Az elektromos szerszámok veszélyt jelentenek a gyakorlatlan felhasználó kezében.
- e) **Gondosan tartsa karban az elektromos szerszámot és tartozékait. Ellenőrizze a mozgó részek**

beállítását és rögzítését, vizsgáljon meg minden részt, nem sérült-e, és ellenőrizze, nem állnak-e fenn olyan körülmények, amelyek befolyásolhatják az elektromos szerszám helyes működését. Használat előtt javíttassa meg a sérült elektromos szerszámot.

A rosszul karbantartott elektromos szerszámok sok balesetet okoznak.

- f) **A vágószerszámok legyenek mindig élesek és tiszták.** A megfelelően karbantartott és kiélezett vágóélekkel rendelkező vágószerszámok kevésbé hajlamosak az elgörbülésre, valamint könnyebben kezelhetők.
- g) **Az elektromos kéziszerszámot, tartozékot, vágóféléteket, stb. mindig ezen biztonsági utasításoknak megfelelően használja, mindig vegye figyelembe a munkakörülményeket, és legyen tekintettel a megmunkálandó munkadarabra.** Az elektromos kéziszerszám előírt rendeltetési céltól eltérő használata veszélyes helyzetet eredményezhet.
- h) **Tartsa szárazon, tisztán, olajtól és zsírtól mentesen a fogantyúkat és a tartófelületeket.** A csúszós fogantyúk és tartófelületek miatt a szerszám kezelése és vezérlése váratlan helyzetekben nem biztonságos.
- 5) **AZ AKKUMULÁTORRAL MŰKÖDŐ SZERSZÁM ÜZEMELTETÉSE ÉS GONDOZÁSA**
- a) **Csak a gyártó által meghatározott töltőt használja.** Az olyan töltő, amely egy típusú akkumulátoregységhez alkalmas, tűzveszélyt okozhat, ha más típusú akkumulátoregységhez használja.
- b) **Az elektromos szerszámokat csak speciálisan meghatározott akkumulátoregységekkel használja.** Bármely más akkumulátoregység használata sérülés- vagy tűzveszélyt okozhat.
- c) **Amikor nem használja az akkumulátoregységet, tartsa távol más fémtárgyaktól, például gemkapcsoktól, érméktől, kulcsoktól, szögektől, csavaroktól vagy más kis fémtárgyaktól, amelyek kapcsolatba léphetnek vele.** Az akkumulátorok kapcsainak rövidzárlata égési sérülést vagy tüzet okozhat.
- d) **Nem megfelelő körülmények között folyadék szivároghat az akkumulátorból; ne érjen ehhez. Amennyiben véletlenül hozzáérne, mossa le vízzel. Ha ez a folyadék szembe kerül, forduljon orvoshoz is.** Az akkumulátorból kiszivárgó folyadék irritációt vagy égési sérülést okozhat.
- e) **Ne használjon sérült vagy módosított akkumulátoregységet vagy szerszámot.** A sérült vagy módosított akkumulátorok előre nem látható módon viselkedhetnek, aminek eredménye tűz, robbanás vagy sérülésveszély lehet.
- f) **Ne tegye ki az akkumulátoregységet tűznek vagy túlzott hőmérsékletnek.** Ha tűznek, vagy 130 °C feletti hőmérsékletnek teszi ki, akkor felrobbanhat.
- g) **Tartsa be a töltési utasításokat, és ne töltse az akkumulátoregységet vagy a szerszámot az utasításokban meghatározott hőmérséklet-tartományon kívül.** A nem megfelelő vagy a meghatározott hőmérséklet-tartományon kívüli töltés károsíthatja az akkumulátort, és növeli a tűzveszélyt.
- 6) **SZERVIZ**
- a) **Az elektromos kéziszerszám szervizelését szakképzett szerelő végezze, csak az eredetivel**

megegyező cserealkatrészek felhasználásával.

Ezzel biztosítja az elektromos szerszám biztonságának fenntartását.

b) Soha ne szervizeljen sérült akkumulátoregységet.

Az akkumulátoregységet csak a gyártó vagy felhatalmazott szerviz szolgáltató szervizelheti.

BIZTONSÁGI UTASÍTÁSOK AKKUS ÜTVECSAVARÓZÓKHOZ CSAVARKULCS

- **Az elektromos kéziszerszámot csak a szigetelt fogantyúfelületeknél fogva tartsa, ha olyan munkát végez, amelynek során a csavar feszültség alatt áll, kívülről nem látható vezetékhez érhet** (ha a csavarok feszültség alatt álló vezetékhez érnek, az elektromos kéziszerszám fémrészei szintén feszültség alá kerülhetnek és áramütéshez vezethetnek)

ÁLTALÁNOS TUDNIVALÓK

- Az olyan anyagokból származó por, mint például az ólmot tartalmazó festékek, néhány fafajta, ásványi anyagok és fém, káros lehet (a por megérintése vagy belégzése allergiás reakciókat és/vagy légzőszervi betegségeket okozhat a kezelő, illetve a közelben állók esetében); **viseljen pormaszkot, és amennyiben csatlakoztatható, dolgozzon porszívó berendezéssel**
- Bizonyos porfajták rákkeltő besorolással rendelkeznek (ilyen például a tölgy- és a bükkfa pora), különösen a fa kondicionálására szolgáló adalékokkal együtt; **viseljen pormaszkot és amennyiben csatlakoztatható, dolgozzon porszívó berendezéssel**
- Kövesse a por kezelésével kapcsolatos helyi előírásokat azon termékkel kapcsolatosan, amellyel dolgozni kíván
- Ne munkáljon meg a berendezéssel azbeszttel tartalmazó anyagokat (az azbeszttel rákkeltő hatású anyagok minősül)
- Győződjön meg róla, hogy forgásirány-választó A② középső (rögzített) állásban van, mielőtt beállításokat végez vagy tartozékokat cserél, illetve amikor a gépet szállítja vagy tárolja

TARTOZÉKOK

- A SKIL cég kizárólag eredeti alkatrészek és kiegészítők alkalmazása esetén tudja garantálni a gép problémamentes működését
- Csak olyan tartozékokat használjon, amelyek legmagasabb megengedett fordulatszáma legalább akkora, mint a berendezés legmagasabb üresjárati fordulatszáma

HASZNÁLAT ELŐTT

- Ügyeljen arra, hogy a munkadarabban lévő csavar, szög vagy hasonló sérüléseket ne okozhasson; a munka megkezdése előtt eltávolítandó
- **Rögzítse a munkadarabot** (befogókészülékkel vagy satuval befogott munkadarabot sokkal biztonságosabban lehet rögzíteni mint a kézzel tartottat)
- **A rejtett vezeték felkutatásához használjon alkalmas fémkereső készüléket, vagy kérje ki a helyi energiellátó vállalat tanácsát** (ha egy elektromos vezetékkel a berendezéssel megérint, ez tűzhöz és áramütéshez vezethet; egy gázvezeték megroggálása robbanást eredményezhet; egy vízvezetékbe való behatolás anyagi károkhoz és áramütéshez vezethet)

AKKUMULÁTOROK

- **A tartozék akkumulátor részlegesen van feltöltve** (az akkumulátor teljes kapacitásának biztosítása érdekében az elektromos szerszám első használata előtt tölts fel

teljesen az akkumulátort az akkumulátortöltőben).

• Csak a következő akkumulátorokkal és töltőkkel használja a szerszámot

- SKIL akkumulátor: BR1*31****
- SKIL töltő: CR1*31****
- Ne használja az akkumulátort, ha sérült; az akkumulátort haladéktalanul ki kell cserélni
- Ne szerelje szét az akkumulátort
- A szerszámot/akkumulátort óvja az esőtől
- Megengedett környezeti hőmérséklet (szerszám/töltő készülék/akkumulátor):
 - a töltés során 4...40°C
 - a használat során -20...+50°C
 - a tárolás során -20...+50°C

A KÉSZÜLÉKEN/AKKUMULÁTORON TALÁLHATÓ SZIMBÓLUMOK MAGYARÁZATA

- ③ Használat előtt olvassa el a használati utasítást
- ④ Ha az akkumulátorok tűzbe kerülnek, akkor felrobbanhatnak, ezért semmilyen okból ne égesse el az akkumulátorokat
- ⑤ Ne tárolja a szerszámot/töltőt/akkumulátort 50°C feletti helyiségben
- ⑥ Ne dobja ki az elektromos szerszámokat és az akkumulátorokat a háztartási hulladékok közé

KEZELÉS

- Az akkumulátor töltése
 - ! **olvassa el a töltővel kapott biztonsági figyelmeztetéseket és utasításokat**
- Az akkumulátor kivétel/berakása ②
- Akkumulátor töltésszintjelző ⑦
 - nyomja meg az akkumulátor töltöttségi szintjét jelző H gombot az aktuális akkumulátorszint ⑦a kijelzéséhez
 - ! **! amikor a H⑦b gomb megnyomása után az akkumulátor kijelzőjének legalacsonyabb szintje villogni kezd, akkor az akkumulátor lemerült**
 - ! **! ha a H⑦c gomb megnyomása után az akkumulátor töltésszintjelző 2. szintje villogni kezd, az akkumulátor nincs a megengedett üzemi hőmérséklettartományon belül**
- Az akkumulátor védelme
 - A szerszám hirtelen kikapcsol vagy nem lehet visszakapcsolni, ha
 - **túl nagy a terhelés** --> távolítsa el a terhelést és kezdje újra
 - **az akkumulátor hőmérséklete nem a -20 és +50 °C közötti megengedett üzemi hőmérséklettartományon belül van** --> az akkumulátor töltésszintjének 2. szintje villogni kezd a H⑦c; gomb megnyomásakor; várjon, amíg az akkumulátor ismét a megengedett üzemi hőmérséklettartományba kerül.
 - **az akkumulátor majdnem üres (a mélykisülés elleni védelem érdekében)** --> az alacsony akkumulátor töltésszint vagy villogó alacsony akkumulátor töltésszint ⑦b az akkumulátor töltésszintjelzőn látható a H gomb megnyomásakor; tölts fel az akkumulátort
 - ! **ha a készülék automatikusan kikapcsolt, ne próbálja nyomogatni a be-/kikapcsoló gombot, mert az akkumulátor károsodhat**
- Az övcsipesz felcsatolása ⑧
 - rögzítse az L övcsipeszt a csavarkulcsához a mellékelt

- csavarral
- Forgásirány változtatás ⑨
 - ha nincs megfelelően a bal/jobb pozícióba állítva, akkor az E② kapcsolót nem lehet aktiválni
 - ! a forgásirány kizárólag a gép teljes leállása után változtatható
- Kombinált kapcsoló a be/ki⑩ kapcsoláshoz és a sebességszabályozáshoz ⑪
 - az E②-re gyakorolt nagyobb vagy kisebb nyomással a sebesség fokozatmentesen nulláról max. fordulatszámig szabályozható
- LED lámpa ⑫
 - A LED-lámpa bekapcsol, ha aktiválja az E be-/kikapcsolót, vagy megnyomja vagy az F LED-világítás gombot a G üzemmódváltó gombot
 - Nyomja meg a LED-világítás gombot a kívánt fényerő kiválasztásához:
 - Alacsony fényerő** – kikapcsol kb. 10 másodperccel a be-/kikapcsoló elengedése után
 - Nagy fényerő** – kikapcsol kb. 600 másodperccel a be-/kikapcsoló elengedése után
 - ! Ha a LED égő elkezd gyorsan villogni, az akkumulátorkímélés életbe lép (lásd fent)
- Módválasztás ⑬
 - nyomja meg a G üzemmódváltó gombot a kívánt üzemmód kiválasztásához:
 - Alacsony sebességű üzemmód (az „1” fény zölden világít) ⑬a**
 - kevesebb nyomattal és alacsony sebesség mellett történő meghúzás
 - kis csavarokhoz és csavarokhoz
 - Közepes sebességű üzemmód (az „1” és a „2” jelzőfény zölden világít) ⑬b**
 - közepes nyomattal és sebességgel húzza meg
 - közepes igénybevételű csavarokhoz
 - Nagy sebességű üzemmód (az „1”, „2” és „3” jelzőfény zölden világít) ⑬c**
 - nagy erővel és sebességgel történő meghúzás
 - nagy méretű csavarokhoz és ankercsavarokhoz
 - Fordított forgásirányú üzemmód (a „RM” fény zölden világít) ⑬d**
 - csavarok és anyák megállításához
 - leáll, amikor a csavart vagy az anyacsavart megállítják
 - ! a vezérlési mód csak visszaforgatás esetén érhető el; előre forgatás esetén magas sebesség mellett használják
 - ! az üzemmódokat csak akkor lehet módosítani, ha a zöld LED(ek) aktívak, és amikor a szerszám teljesen leállt
- Aljzatok beszerelése és eltávolítása ⑭
 - aljzat felszereléséhez egyszerűen nyomja rá a D négyzőgáttételre
 - az aljzat eltávolításához egyszerűen húzza le a D négyzőgáttételről
 - ! csak 3/8"-es négyzőgáttételű aljzatokat használjon ⑭a
 - ! használjon egy M adaptert 1/2"-os négyzőghajtású dugókulcsokhoz ⑭b
 - ! ne használjon sérült aljzatokat
- A szerszám vezetése és tartása ⑮
 - ! munka közben mindvégig tartsa gépet a szürke színű markolati terület(ek)en
 - a B② szellőzőnyílásokat mindig tartsa szabadon
 - ne gyakoroljon túl nagy nyomást a gépre; hagyja, hogy

a gép dolgozzon ön helyett

HASZNÁLAT

- Mindig a megfelelő szerszámhegyet használja
- Csavarok faanyag végébe vagy szálirányába történő behajtása előtt készítsen előfuratot
- Az eszköz optimális használatához a csavarra állandó nyomást kell gyakorolni, különösen ha kicsavarjuk
- Ha keményfába csavarozunk, szükséges előfuratot készíteni
- A további információkért lásd a www.skil.com oldalt

KARBANTARTÁS / SZERVIZ

- Ez a szerszám nem professzionális használatra készült
- Mindig tartsa tisztán a szerszámot (különös tekintettel a szellőzőnyílásokra B②)
- ! **Tisztítás előtt vegye ki az akkumulátort**
- Ha a szerszám a gondos gyártási és ellenőrzési eljárás ellenére egyszer mégis meghibásodna, akkor a javítással csak SKIL elektromos kéziszerszám-műhely ügyfélszolgálatát szabad megbízni
 - megbontás nélküli állapotban küldje a szerszámot a vásárlást igazoló nyugtával együtt a márkakereskedő vagy a legközelebbi SKIL szervizállomás címére (a címlista és a gép szervizdiagramja a www.skil.com oldalon található)
 - Vegye figyelembe, hogy a szerszám túlterheléséből vagy helytelen kezeléséből eredő károk nem tartoznak a garancia hatálya alá (a SKIL garanciális feltételeit elolvashatja a www.skil.com oldalon, vagy kérdezze meg kereskedőjét)

KÖRNYEZET

- **Az elektromos szerszámokat, akkumulátorokat, tartozékokat és csomagolást ne tegye a háztartási hulladékok közé** (csak EU-országok számára)
 - az elektromos és elektronikus berendezések hulladékairól szóló 2012/19/EK európai irányelv és annak a nemzeti joggal összhangban történő végrehajtása értelmében az elhasználtodott elektromos szerszámokat külön kell gyűjteni, és környezetbarát módon újra kell hasznosítani
 - erre emlékeztet a ⑥ jelzés, amennyiben felmerül az intézkedésre való igény
- ! **ártalmatlanítás előtt erős szigetelőszalaggal védje az akkumulátor kapcsait a rövidzárlat elkerülése érdekében**

ZAJ / REZGÉS

- Az EN62841-es szabványnak megfelelően végzett mérés szerint a szerszám hangnyomásszintje 88 dB(A), a hangteljesítményszintje 99 dB(A) (bizonytalanság K = 3 dB), a rezgés pedig 9,1 m/s² (háromtengeyű vektor összege; bizonytalanság K = 1,5 m/mp²)
- A rezgéskibocsátási szint mérése az EN62841 szabványosított vizsgálat szerint történt; ez az érték felhasználható egy szerszám és egy másik szerszám összehasonlítására, valamint a rezgésnek való kitettség előzetes értékelésére, amikor a szerszámot az említett alkalmazásokhoz használják
 - a szerszám különböző alkalmazásokhoz való használata, vagy más vagy rosszul karbantartott

tartozékkal történő használatra jelentősen megnövelheti a kitettség szintjét

- azok az idők, amikor a szerszám ki van kapcsolva, vagy műkódik ugyan, de valójában nem végez munkát, jelentős mértékben csökkenthetik a kitettség szintjét

! védekezzen a rezgés hatása ellen a szerszám és tartozékai karbantartásával, a kezek melegen tartásával és a munkamódszerek megszervezésével

CZ

Bezkontaktní bezdrátový rázový utahovák 3265

ÚVOD

- Tento nástroj je určen pro utahování a uvolňování šroubů
- Tento nástroj není určen k profesionálnímu použití
- Pokud některé součásti chybí nebo jsou poškozené, obraťte se na prodejce
- **Před použitím si pečlivě přečtěte tento návod s pokyny a uschovejte si jej pro budoucí potřebu** ③
- **Zvláštní pozornost věnujte bezpečnostním pokynům a výstrahám; při jejich nedodržení se vystavujete nebezpečí vážného úrazu**

TECHNICKÉ ÚDAJE ①

Max. krouticí moment silný šroubový spoj podle ISO 5393: 250Nm

SOUČÁSTI NÁŘADÍ ②

- A Přepínač předvolby směru (vpřed / středová zajištěná poloha / vzad)
- B Větrací šterbiny
- C LED světló
- D Čtvercová drážka
- E Hlavní vypínač a regulace rychlosti
- F Tlačítko LED světlá
- G Tlačítko režimu
- H Tlačítko kontrolky nabití akumulátoru
- J Prostor pro uložení hrotů
- K Prostor pro upevnění řemínku
- L Spona na opasek
- M Adaptér*

*NENÍ STANDARDNÍ SOUČÁSTÍ

BEZPEČNOST

OBEČNÁ BEZPEČNOSTNÍ VAROVÁNÍ PRO PRÁCI S ELEKTRICKÝM NÁŘADÍM

VAROVÁNÍ Prostudujte si všechny bezpečnostní výstrahy, pokyny, ilustrace a technické údaje dodané s tímto elektrickým nářadím. Nedodržení všech níže uvedených pokynů může vést k úrazu elektrickým proudem, požáru a/nebo vážnému úrazu.

Všechna varování a pokyny uschovejte pro budoucí použití.

Termín „elektrické nářadí“ ve varováních odkazuje na vaše

elektrické nářadí (s kabelem) nebo akumulátorové nářadí (bez kabelu).

1) BEZPEČNOST NA PRACOVÍŠTI

- Udržujte pracovní prostor v čistotě a dobře osvětlený.** Nepořádek nebo neosvětlené pracovní oblasti bývají příčinou úrazů.
- Nepracujte s elektrickým nářadím ve výbušném prostředí, například v přítomnosti hořlavých kapalin, plynů nebo prachu.** Elektrické nářadí je zdrojem jiskření, které může zapálit prach nebo výpary.
- Při práci s elektrickým nářadím udržujte děti a přihlížející osoby v bezpečné vzdálenosti.** Nesoustředěnost může způsobit ztrátu kontroly.

2) ELEKTRICKÁ BEZPEČNOST

- Zástrčky elektrického nářadí musí odpovídat zásuvkám. V žádném případě nikdy neupravujte zástrčku. S uzemněným elektrickým nářadím nepoužívejte žádné rozbočovací zásuvky.** Neupravené zástrčky a shodné zásuvky snižují riziko úrazu elektrickým proudem.
 - Zabraňte kontaktu těla s uzemněnými povrchy, jako jsou potrubí, radiátory, sporáky a ledničky.** Existuje zvýšené riziko úrazu elektrickým proudem, pokud je vaše tělo uzemněno.
 - Nevystavujte elektrické nářadí dešti nebo vlhkému prostředí.** Vniknutí vody do elektrického nářadí zvyšuje riziko úrazu elektrickým proudem.
 - Nezatěžujte kabel. Nikdy nepoužívejte napájecí kabel k přenášení nářadí, tahání nebo vytažování zástrčky ze zásuvky. Udržujte kabel daleko od tepla, oleje, ostrých hran nebo pohyblivých částí.** Poškozené nebo spletené kabely zvyšují riziko úrazu elektrickým proudem.
 - Při práci s nářadím venku používejte prodlužovací kabel vhodný pro venkovní použití.** Použití kabelu vhodného pro venkovní použití snižuje riziko úrazu elektrickým proudem.
 - Pokud musíte s elektrickým nářadím pracovat ve vlhkém prostředí, použijte napájení s ochranou proti zbytkovému proudu (RCD).** Použití RCD snižuje riziko úrazu elektrickým proudem.
- #### 3) BEZPEČNOST OSOB
- Při práci s elektrickým nářadím buďte stále pozorní, sledujte, co děláte a používejte zdravý rozum. Nepoužívejte elektrické nářadí, jste-li unaveni nebo pod vlivem drog, alkoholu nebo léků.** Chvilka nepozornosti při práci s nářadím může vést k vážnému zranění.
 - Používejte osobní ochranné pracovní prostředky. Vždy používejte ochranu očí.** Ochranné pomůcky, jako např. respirátor, protiskluzová bezpečnostní obuv, pevná přilba nebo chrániče sluchu, používané ve vhodném prostředí snižují riziko úrazu.
 - Zabraňte náhodnému spuštění. Před připojením ke zdroji napětí a/nebo akumulátoru, zvedáním nebo přenášením nářadí se ujistěte, že vypínač je ve vypnuté poloze.** Přenášení elektrického nářadí s prstem na vypínači nebo zapojování elektrického nářadí, které má zapnutý spínač, může snadno způsobit nehodu či úraz.
 - Před zapnutím elektrického nářadí odstraňte seřizovací klíče nebo klíče.** Nástroj nebo klíč, který

zůstane upevněn k otáčející se části elektrického nářadí, může způsobit osobní zranění.

- e) **Nepřeceňujte své síly. Vždy udržujte pevný postoj a rovnováhu.** To umělejší ovládnání elektrického nářadí v nečekaných situacích.
- f) **Používejte vhodný oděv. Nenoste volný oděv ani šperky. Udržujte své vlasy a oblečení mimo dosah pohybujících se částí.** Volný oděv, šperky nebo dlouhé vlasy se mohou zachytit do pohybujících dílů.
- g) **Pokud je zařízení vybaveno adaptérem pro připojení odsávání prachu a sběrnými zařízeními, zajistěte jejich správné připojení a řádnou funkci.** Použití odsávání prachu může snížit nebezpečí týkající se prachu.
- h) **Neodvolte, abyste se po získání zkušeností častým používáním nástrojů stali neobezřetnými a ignorovali zásady bezpečnosti.** Nedbalá činnost může způsobit vážné zranění za zlomek sekundy.
- 4) **POUŽITÍ A PÉČE O ELEKTRICKÉ NÁŘADÍ**
 - a) **Netlačte příliš na nářadí. Používejte správný typ nářadí pro vaše použití.** Správné elektrické nářadí bude pracovat lépe a bezpečněji rychleji, pro kterou bylo navrženo.
 - b) **Nepoužívejte elektrické nářadí v případě, že vypínač nefunguje.** Jakékoliv elektrické nářadí, které nelze ovládat vypínačem, je nebezpečné a musí se opravit.
 - c) **Před jakýmkoliv seřizováním, výměnou příslušenství nebo před uložením nepoužívaného elektrického nářadí odpojte akumulátor, jde-li to provést.** Tato preventivní bezpečnostní opatření snižují riziko náhodného spuštění elektrického nářadí.
 - d) **Nepoužívané elektrické nářadí uchovávejte mimo dosah dětí a nenechte s elektrickým nářadím pracovat osoby, které se neseznámily s elektrickým nářadím nebo těmito pokyny.** Elektrické nářadí je v rukou nekalifikované obsluhy nebezpečné.
 - e) **Udržujte elektrické nářadí a příslušenství. Zkontrolujte vychýlení či zaseknutí pohyblivých částí, poškození jednotlivých dílů a jiné okolnosti, které mohou ovlivnit chod nářadí. Je-li nářadí poškozeno, nechejte ho před použitím opravit.** Mnoho nehod je způsobeno nedostatečnou údržbou nářadí.
 - f) **Udržujte řezné nástroje ostré a čisté. Řádně udržované řezné nástroje s ostrými řeznými hranami nemají tendenci se ohýbat a lépe se ovládají.**
 - g) **Používejte elektrické nářadí, příslušenství a nástrojové hroty atd. v souladu s těmito pokyny s přihlédnutím k pracovním podmínkám a práci, která má být provedena.** Používání elektrického nářadí k činnosti, pro které není určeno, může vést k nebezpečným situacím.
 - h) **Udržujte rukojeti a uchopovací plochy suché, čisté, bez oleje a maziva.** Kluzké rukojeti a plochy pro uchopení neumožňují bezpečnou manipulaci s nářadím a jeho ovládnání v nečekaných situacích.
- 5) **POUŽITÍ A PÉČE O AKUMULÁTOROVÉ NÁŘADÍ**
 - a) **K nabíjení používejte pouze nabíječku doporučenou výrobcem.** Nabíječka vhodná pro jeden typ akumulátoru může způsobit riziko požáru při použití s jiným akumulátorem.
 - b) **Používejte elektrické nářadí pouze se specifikovanými akumulátory.** Použití jiných

akumulátorů může způsobit riziko úrazu a požáru.

- c) **Pokud akumulátor nepoužíváte, držte jej z dosahu kovových předmětů, jako jsou kancelářské sponky na papír, mince, klíče, hřebíky, šroubky nebo další drobné kovové předměty, které mohou propojit kontakty baterie.** Zkratování kontaktů baterie může způsobit spalení nebo požár.
- d) **V nevhodných podmínkách může kapalina unikat z baterie. Zabraňte kontaktu. Při náhodném kontaktu opláchněte vodou.** Při zasažení očí kapalinou vyhledejte lékařskou pomoc. Unikající kapalina z akumulátoru může způsobit podráždění pokožky nebo popálení.
- e) **Nepoužívejte akumulátor nebo nářadí, které jsou poškozené nebo upravené.** Poškozené nebo upravené akumulátory se mohou chovat nepředvídatelně, což může vést k požáru, výbuchu nebo nebezpečí zranění.
- f) **Nevystavujte akumulátor ani nářadí ohni nebo příliš vysoké teplotě.** Při vystavení ohni nebo teplotě nad 130 °C může dojít k výbuchu.
- g) **Dodržujte všechny pokyny pro nabíjení a nenabíjejte akumulátor nebo nářadí mimo rozsah teplot uvedených v pokynech.** Nesprávné nabíjení nebo nabíjení při teplotách mimo stanovený rozsah může poškodit akumulátor a zvýšit riziko požáru.
- 6) **SERVIS**
 - a) **Svěřte opravu vašeho elektrického nářadí kvalifikované osobě používající pouze shodné náhradní díly.** Tím zajistíte bezpečnost elektrického nářadí.
 - b) **Nikdy neopravujte poškozené akumulátory.** Servis akumulátorů může provádět pouze výrobce nebo autorizovaní poskytovatelé služeb.

BEZPEČNOSTNÍ POKYNY PRO AKUMULÁTOROVÝ RÁZOVÝ UTAHOVÁK

- **Pokud provádíte práce, při kterých může šroub zasáhnout skrytá elektrická vedení, pak držte elektronářadí na izolovaných plochách rukojeti** (kontakt s vedením pod napětím může přivést napětí i na kovové díly elektronářadí a vést k úderu elektrickým proudem)

OBECNĚ

- Prach z materiálů, jako jsou barvy obsahující olovo, některé druhy dřeva, minerály a kovy, může být škodlivý (kontakt s prachem nebo jeho vdechnutí může způsobit alergickou reakci a/nebo vyvolat respirační choroby u obsluhy nebo přihlížejících); **používejte protiprachovou masku a pracujte se zařízením na odsávání prachu, pokud je možné jej připojit**
- Některé druhy prachu jsou klasifikovány jako karcinogenní (například dubový a bukový prach) zejména ve spojení s aditivy pro úpravu dřeva; **používejte protiprachovou masku a pracujte se zařízením na odsávání prachu, pokud je možné jej připojit**
- Dodržujte stanovená nařízení pro práci v prašném prostředí
- Nepracovávejte žádný materiál obsahující azbest (azbest je považován za karcinogenní)
- Zabezpečte, aby přepínač předvolby směru A② byl vždy v pozici uprostřed (zajištěná poloha), než provedete seřízení stroje nebo výměnu příslušenství, při přenášení nebo odložení stroje

PŘÍSLUŠENSTVÍ

- SKIL zajistí bezvadnou funkci nářadí pouze tehdy, používáte-li původní značkové nářadí
- Používejte pouze příslušenství, jejichž dovolené otáčky jsou alespoň tak vysoké jako nejvyšší otáčky stroje naprázdno

PŘED POUŽITÍM

- Vrtačku nepoužívejte je-li navlhla a npracujte v blízkosti snadno zápalných nebo výbušných materiálů; před zahájením práce je odstraňte
- **Zajistěte obráběný díl** (obráběný díl uchycený pomocí upinacích zařízení nebo ve svěráku je mnohem bezpečnější než v ruce)
- **Použijte vhodné hledací přístroje k vyhledání skrytých přírodních vedení nebo přivzete místní dodavatelskou společnost** (kontakt s elektrickým vedením může vést k požáru a elektrickému úderu; poškození plynového vedení může vést k explozi; proniknutí do vodovodního potrubí může způsobit věcné škody nebo elektrický úder)

AKUMULÁTORY

- **Dodávaný akumulátor je částečně nabitý** (v zájmu zajištění maximální kapacity akumulátoru jej před prvním použitím vašeho elektrického nářadí úplně dobijte v nabíječce)
- **Používejte pouze následující akumulátory a nabíječky dodávané s tímto nástrojem**
 - Akumulátor SKIL: BR1*31****
 - Nabíječka SKIL: CR1*31****
- Poškozený akumulátor nepoužívejte, nahraďte jej novým
- Akumulátor nerozebírejte
- Nevystavujte nástroj/akumulátor dešti
- Povolená teplota prostředí (nářadí/nabíječka/akumulátor):
 - při nabíjení 4 až +40 °C
 - při provozu - 20 až + 50 °C
 - při skladování - 20 až + 50 °C

VYSVĚTLENÍ SYMBOLŮ NA NÁSTROJI/BATERII

- 3 Před použitím si přečtěte návod k použití
- 4 Akumulátory při vhození do ohně explodují, proto je nikdy nevhazujte do otevřeného plamene
- 5 Nářadí/nabíječku/akumulátor ukládejte na vhodné, suché a zajištěné místo, v prostorách s teplotou maximálně 50 °C
- 6 Nevyhazujte elektrické nářadí a akumulátory do komunálního odpadu

OBSLUHA

- Nabíjení akumulátorů
 - ! přečtěte si bezpečnostní upozornění a pokyny, které byly dodány spolu s nabíječkou
- Odstranění/instalace akumulátoru ②
- Kontrolka nabití akumulátoru ⑦
 - stiskněte tlačítko kontrolky nabití akumulátoru H, aby ukázalo aktuální úroveň nabití ⑦a
 - ! na nejnižší úrovni nabití začne kontrolka nabití po stisknutí tlačítka H ⑦b blikat, akumulátor je vybitý
 - ! když po stisknutí tlačítka H ⑦c začnou blikat 2 pole ukazatele, znamená to, že se akumulátor nachází mimo povolený rozsah pracovní teploty
- Ochrana baterie
 - Nářadí se najeďnou vypne nebo mu je zabráněno v zapnutí, když
 - je zátěž příliš vysoká -> odstraňte zátěž a proveďte restart
 - teplota akumulátoru není v rozsahu přípustných

provozních teplot - 20 až + 50 ° C --> 2 úrovně kontrolky nabití akumulátoru začnou blikat po stisknutí tlačítka H ⑦c; počkejte, dokud se akumulátor nevrátí do rozsaha přípustných provozních teplot

- **akumulátor je téměř vybitý (ochrana před přílišným vybitím)** --> při stisknutí tlačítka H kontrolka nabití akumulátoru ukáže nízkou úroveň baterie nebo blikající nízkou úroveň akumulátoru ⑦b; nabijte akumulátor

! po automatickém vypnutí nástroje netiskněte vypínač; mohl by dojít k poškození akumulátoru

- Připevnění spony na opasek ⑧
 - připevněte sponu na opasek L k utahováku pomocí dodaného šroubu
- Změna směru otáček ⑨
 - jestliže poloha doleva/doprava správně nezapadne, není možno zapnout vypínač E ②
 - ! směr otáček se smí změnit pouze je-li nástroj zcela zastaven rotation only when tool is at a complete standstill
- Kombinovaný hlavní vypínač ⑩a kontrola rychlosti ⑪
 - při větším či menším tlaku na vypínač E ②, lze měnit plynule otáčky
- LED světlo ⑫
 - LED světlo se rozsvítí při aktivaci vypínače E nebo stisknutím tlačítka F nebo tlačítka režimu G
 - Stisknutím tlačítka LED světla vyberte požadovaný jas:
 - Nízký jas - vypne cca. 10 s po uvolnění vypínače
 - Vysoký jas - vypne cca. 600 s po uvolnění vypínače
 - ! když LED světlo začne blikat, aktivuje se ochrana akumulátoru (viz výše)
- Výběr režimu ⑬
 - stisknutím tlačítka režimu G vyberte požadovaný režim:
 - Režim nízké rychlosti (kontrolka „1“ svítí zeleně) ⑬a
 - utahování s nízkým točivým momentem a nižší rychlostí - pro malé šrouby a vruty
 - Režim střední rychlosti (kontrolky „1 a 2“ svítí zeleně) ⑬b
 - utahujte středním točivým momentem a rychlostí - pro šrouby ve středně namáhaných aplikacích
 - Režim vysoké rychlosti (kontrolky „1, 2 a 3“ svítí zeleně) ⑬c
 - utahování s vysokým točivým momentem a vysokou rychlostí
 - pro velké šrouby a vruty
 - Reverzní režim ovládání (kontrolka „RM“ svítí zeleně) ⑬d
 - pro uvolňování šroubů a matic
 - se zastaví, když je šroub nebo matice uvolněna
 - ! režim ovládání je k dispozici pouze s otáčením dozadu; u otáčení dopředu se používá pro vyšší rychlost
 - ! režimy lze změnit pouze tehdy, když svítí zeleně LED kontrolky a když je nástroj zcela zastaven
 - Instalace a odstranění patek ⑭
 - Chcete-li nainstalovat patku, jednoduše ji zatlačte na čtvercovou drážku D
 - Chcete-li vyjmout patku, jednoduše ji vytáhněte ze čtvercové drážky D
 - ! používejte jen patky se 3/8" čtvercovou drážkou ⑭a
 - ! používejte adaptér M pro patky se 1/2" čtvercovou drážkou ⑭b

! nepoužívejte poškozené patky

- Držení a vedení nástroje (15)
- ! při práci vždy držte nářadí za šedě zabarvenou oblast rukojeti
- udržujte větrací šterbiny B(2) nezakryté
- na přístroj příliš netlačte; nechte jej, aby pracoval za vás

NÁVOD K POUŽITÍ

- Používejte správné hroty
- Při zašroubování šroubu na konci nebo na začátku nějakého dřeva by měla být předvrtána díra, aby se zamezilo rozštípnutí dřeva
- Pro optimální využití přístroje je nutno zvolit odpovídající tlak na šroub, zvláště při vsoubování
- Při šroubování do tvrdého dřeva, je nutno díru předvrtat
- Další informace najdete na www.skil.com

ÚDRŽBA / SERVIS

- Tento nástroj není určen k profesionálnímu použití
- Nástroj udržujte vždy čistý (zejména větrací šterbiny B(2))
- ! ! před montáží vyjměte z nářadí akumulátor
- Pokud dojde i přes pečlivou výrobu a náročné kontroly k poruše nástroje, svěřte provedení opravy autorizovanému servisnímu středisku pro elektronářadí firmy SKIL
- zašlete nerozebrané nářadí spolu s potvrzením o nákupu prodejci nebo nejbližšímu servisu značky SKIL (adresy a servisní schéma nářadí jsou uvedeny na adrese www.skil.com)
- Uvědomte si, že na poškození způsobené přetížením nebo nesprávným zacházením se nevztahuje záruka (záruční podmínky společnosti SKIL najdete na adrese www.skil.com nebo se obraťte na prodejce)

ŽIVOTNÍ PROSTŘEDÍ

- Elektrické nářadí, baterie, doplňky a balení nevyhazujte do komunálního odpadu (jen pro státy EU)
- podle evropské směrnice 2012/19/ES o nakládání s použitými elektrickými a elektronickými zařízeními a odpovídajících ustanovení právních předpisů jednotlivých zemí se použitá elektrická nářadí, musí sbírat odděleně od ostatního odpadu a podrobit ekologicky šetrnému recyklování
- na nutnost příslušného nakládání s odpadem upozorňuje symbol (6)
- ! u vyřazených akumulátorů zakryjte kontakty izolací páskou, zabráníte tím plazivým proudům

HLUČNOST / VIBRACE

- Při měření v souladu s normou EN62841 je hladina akustického tlaku tohoto nářadí 88 dB(A) a hladina akustického výkonu 99 dB(A) (nejistota K = 3 dB) a vibrace 9,1 m/s² (celkové hodnoty vibrací; nejistota K = 1,5 m/s²)
- Úroveň vibrací byla měřena v souladu se standardizovaným testem podle EN 62841; je možné ji použít ke srovnání jednoho přístroje s druhým a jako předběžné posouzení vystavování se vibracím při používání přístroje k uvedeným aplikacím
- používání nářadí k jiným aplikacím nebo s jiným či špatně udržovaným příslušenstvím může zásadně zvýšit úroveň vystavení se vibracím

- doba, kdy je nářadí vypnuté, nebo když běží, ale ve skutečnosti není používáno, může zásadně snížit úroveň vystavení se vibracím

! **chráňte se před následky vibrací tak, že budete dbát na údržbu přístroje a příslušenství, budete i udržovat teplé ruce a uspořádáte si své pracovní postupy**

TR

Firçasız kabloşuz darbeli somun anahtarı

3265

GİRİŞ

- Bu alet vidaları ve civataları vidalamak ve sökmek için tasarlanmıştır
- Bu alet profesyonel kullanıma yönelik değildir
- Parçaların eksik veya hasarlı olması durumunda bayinizle temasa geçin
- **Aleti kullanmadan önce bu kılavuzu dikkatli bir şekilde okuyun ve ileride kullanmak üzere saklayın (3)**
- **Güvenlik talimatlarını ve uyarılarını özellikle dikkat edin, bu talimatlara/uyarılara uyulmaması halinde ciddi yaralanmalar meydana gelebilir**

TEKNİK VERİLER (1)

ISO 5393'e göre sert vidalamada maksimum tork: 250Nm

ALETİN PARÇALARI (2)

- A Dönme Yönü (ileri/orta-kilit/geri) Seçici
- B Havalandırma delikleri
- C LED ışık
- D Kare lokma ucu
- E Açma/kapama ve hız kontrol anahtarı
- F LED ışık düğmesi
- G Mod düğmesi
- H Batarya seviyesi göstergesi düğmesi
- J Uç saklama alanı
- K Kayış sabitleme alanı
- L Kemer kancası
- M Adaptör*

*STANDART OLARAK DAHİL DEĞİLDİR

GÜVENLİK

ELEKTRİKLİ ALETLER İÇİN GENEL GÜVENLİK UYARILARI

⚠ UYARI Bu elektrikli alet ile birlikte verilen tüm güvenlik uyarılarını, talimatları, çizimleri ve teknik özellikleri okuyun. Aşağıdaki talimatların tamamına uyulmaması elektrik çarpması, yangın ve/veya ciddi yaralanma ile sonuçlanabilir.

Tüm uyarı ve talimatları gelecekte başvuru amacıyla muhafaza edin.

Uyarılarda geçen "elektrikli alet" terimi ile elektrik prizinden beslenen (kablolu) elektrikli alet veya şarjlı (kabloşuz) elektrikli alet kastedilmektedir.

1) ÇALIŞMA ALANI GÜVENLİĞİ

- a) Çalışma alanını temiz tutun ve yeterli aydınlatma sağlayın. Karışık veya karanlık alanlar kazalara yol açar.
- b) Elektrikli aletleri yanıcı sıvı, gaz veya toz içeren patlayıcı ortamlarda çalıştırmayın. Elektrikli aletlerden çıkan kıvılcımlar toz veya gazları tutuşturabilir.
- c) Bir elektrikli aleti kullanırken çocukların ve etraftaki kişilerin aletten uzakta olduğundan emin olun. Dikkatinizin dağılması kontrolü kaybetmenize neden olabilir.

2) ELEKTRİK GÜVENLİĞİ

- a) Elektrikli aletin fişi prize uygun olmalıdır. Fiş üzerinde asla değişiklik yapmayın. Topraklı (topraklamalı) elektrikli aletler için herhangi bir adaptör fişi kullanmayın. Üzerinde değişiklik yapılmamış fişler ve uygun prizler elektrik çarpması riskini azaltır.
- b) Boru, radyatör, fırın ocak ve buzdolabı gibi topraklanmış yüzeylerle temastan kaçının. Topraklanmış yerlerle temas etmeniz halinde elektrik çarpması riski artar.
- c) Elektrikli aletleri yağmura veya ıslak ortamlara maruz bırakmayın. Elektrikli alet içine giren su, elektrik çarpması riskini artırır.
- d) Kabloyu hatalı kullanmayın. Kabloyu elektrikli aleti taşımak, çekmek veya prizden çıkarmak için kullanmayın. Kabloyu sıcağtan, yağdan, keskin kenarlardan veya hareketli parçalardan uzak tutun. Hasarlı veya birbirine dolaşmış kablolar elektrik çarpması riskini artırır.
- e) Bir elektrikli aleti açık havada kullanırken, uygun bir dış mekan uzatma kablosu kullanın. Dış mekan için uygun bir kablunun kullanılması elektrik çarpması riskini azaltır.
- f) Elektrikli aletin nemli bir yerde çalıştırılması gerekiyorsa kaçak akım rölesi (RCD) korumalı bir kaynak kullanın. RCD (kaçak akım rölesi) kullanımı elektrik çarpması riskini azaltır.

3) KİŞİSEL GÜVENLİK

- a) Elektrikli aletleri kullanırken daima dikkatli olun, yaptığınız işe yoğunlaşın ve sağduyulu davranın. Elektrikli aleti yorgunken ya da uyuşturucu, alkol ya da ilaç etkisi altındayken kullanmayın. Elektrikli aletleri kullanırken bir anlık dikkatsizlik ciddi yaralanmalara yol açabilir.
- b) Kişisel koruyucu ekipman kullanın. Daima koruyucu gözlük takın. Koşullara uygun toz maskesi, kaymaz emniyet ayakkabıları, kask veya işitme koruması gibi koruyucu ekipman kullanılması yaralanmaları azaltır.
- c) Yanlışlıkla çalıştırmaktan kaçının. Aletin güç kaynağı ve/veya batarya ile bağlantısını yapmadan, kaldırmadan veya taşımadan önce açma/kapatma düğmesinin kapalı olduğundan emin olun. Aleti, parmağınızı açma kapatma düğmesinin üzerinden geçen taşımak veya alet açıkken fişi prize takmak kazalara davetiye çıkarır.
- d) Elektrikli alete takılı herhangi bir alyan veya anahtar varsa aleti çalıştırmadan önce bunları çıkarın. Elektrikli aletin döner parçalarına takılı bir alyan veya anahtar yaralanmalara neden olabilir.
- e) Dengesiz bir duruşla çalışma yapmayın. Çalışma süresince ayaklarınızı sağlam basın ve dengeinizi koruyun. Bu sayede beklenmedik durumlarda elektrikli

alet daha iyi kontrol edilebilir.

- f) Uygun bir şekilde giyinin. Bol giysiler giymeyin veya takı takmayın. Saçlarınızı ve elbiselerinizi hareketli parçalardan uzak tutun. Bol giysiler, takılar veya uzun saçlar hareketli parçalara takılabilir.
 - g) Toz emme ve toplama araçlarının bağlantısı için sağlanan cihazlar varsa bunların takılı olduğundan ve düzgün bir biçimde kullanıldığınından emin olun. Toz toplama araçlarının kullanımı tozdan kaynaklanabilecek tehlikeleri azaltabilir.
 - h) Aletleri sık kullanarak edindiğiniz alışkanlık rahat olmanıza ve aletin güvenlik ilkelerini göz ardı etmenize neden olmamalıdır. Dikkatsiz bir hareket, bir saniyeden daha kısa bir sürede ağır yaralanmalara neden olabilir.
- ## 4) ELEKTRİKLİ ALET KULLANIMI VE BAKIMI
- a) Elektrikli aleti zorlamayın. Yaptığınız işe uygun elektrikli aleti kullanın. Doğru elektrikli alet, tasarımına uygun değerlerde kullanıldığında daha iyi ve daha güvenli çalışır.
 - b) Açma kapatma düğmesi çalışmıyorsa elektrikli aleti kullanmayın. Açma kapatma düğmesi ile kontrol edilemeyen bir elektrikli alet tehlikelidir ve onarılması gerekir.
 - c) Herhangi bir ayar işlemi, aksesuar değişimi veya elektrikli aletlerin depolanması öncesinde fişi prizden çekin ve/veya çıkarılabiliyorsa bataryayı elektrikli aletten çıkarın. Bu tür önleyici güvenlik önlemleri, elektrikli aletin yanlışlıkla çalışması riskini azaltır.
 - d) Kullanılmayan elektrikli aletleri çocukların erişemeyeceği yerlerde saklayın ve elektrikli alet veya bu talimatlar hakkında bilgi sahibi olmayan kişilerin elektrikli aleti kullanmasına izin vermeyin. Elektrikli aletler eğitimsiz kullanıcıların elinde tehlikelidir.
 - e) Elektrikli aletlere ve aksesuarlara bakım yapın. Hareketli parçaların hizalanmasını veya bağlanmasını doğru yapıp yapılmadığını, parçalarda hasar olup olmadığını ve elektrikli aletin çalışmasını etkileyebilecek tüm diğer koşulları kontrol edin. Elektrikli alet hasarlı ise kullanmadan önce onarılmasını sağlayın. Kazaların çoğu, elektrikli alet bakımının yeterli şekilde yapılmamasından kaynaklanır.
 - f) Kesici aletleri keskin ve temiz tutun. Keskin kesim kenarlarına sahip, bakımı düzgün yapılmış kesim aletleri daha az sorun çıkarır ve kontrolü kolaydır.
 - g) Elektrikli aleti, aksesuarlarını ve alet uçlarını vb. çalışma şartlarını ve yapılacak işi dikkate alarak bu talimatlara uygun şekilde kullanın. Elektrikli aletin kullanım amacı dışındaki işlerde kullanılması tehlikeli durumlara neden olabilir.
 - h) Tutma saplarını ve kavrama yüzeylerini kuru, temiz, benzin ve yağdan uzak tutun. Kaygan saplar ve kavrama yüzeyleri, aletin beklenmeyen durumlarda güvenli bir şekilde tutulmasına ve kontrol edilmesine izin vermez.
- ## 5) BATARYA İLE ÇALIŞAN ALETLERİNİN KULLANIMI VE BAKIMI
- a) Sadece üretici tarafından belirtilen şarj cihazı ile şarj edin. Bir batarya türü için uygun olan şarj cihazı, başka bir batarya ile kullanıldığında yangın riski oluşturabilir.
 - b) Elektrikli aletleri sadece özel olarak üretilmiş

bataryalarla kullanın. Başka batarya türlerinin kullanımını yarananma ve yangın tehlikesi oluşturabilir.

- c) **Bataryanın kullanımında olmadığı durumlarda bataryayı ataş, bozuk para, anahtar, çivi, vida veya batarya kutupları arasında kısa devre yapabilecek diğer metal nesnelere uzak tutun.** Batarya kutuplarının kısa devre yapılması yangın veya yanıklara neden olabilir.
- d) **Kötü şartlar altında bataryadan sıvı akışı olabilir; bu sıvı ile temas etmekten kaçının. Yanlışlıkla temas edilirse etkilenen bölgeyi su ile yıkayın. Sıvı göze temas ederse ayrıca tıbbi yardım alın.** Bataryadan akan sıvı tahriş veya yanıklara neden olabilir.
- e) **Hasarlı veya üzerinde değişiklik yapılmış bir bataryayı veya aleti kullanmayın.** Hasarlı veya üzerinde değişiklik yapılmış bataryalar yangın, patlama veya yarananma riskine neden olacak şekilde beklenmeyen davranışlar gösterebilir.
- f) **Bataryayı veya aleti ateşe veya aşırı sıcaklıklara maruz bırakmayın.** Ateşe veya 130 °C'nin üzerindeki sıcaklıklara maruz kalması patlamaya neden olabilir.
- g) **Tüm şarj talimatlarına uyun ve bataryayı veya aleti talimatlarda belirtilen sıcaklık aralığının dışındaki sıcaklıklarda şarj etmeyin.** Hatalı veya belirtilen sıcaklık aralığının dışındaki sıcaklıklarda şarj etmek, bataryaya zarar verebilir ve yangın riskini artırır.
- 6) **SERVİS**
- a) **Elektrikli aletinizin bakımını, sadece orijinal yedek parça kullanan uzman bir tamirciye yaptırın.** Bu sayede elektrikli aletin emniyetinin korunmasını sağlanır.
- b) **Asla hasarlı bataryalara bakım-onarım yapmayın.** Bataryaların bakımı sadece üretici veya yetkili servisler tarafından yapılmalıdır.

KABLOSUZ DARBELİ SOMUN ANAHTARI İÇİN GÜVENLİK TALİMATLARI

- **Başlığın gizli kablo tesisatına temas edebileceği bir işlem yaparken elektrikli aleti izolasyonlu tutamaklardan tutun** ("akım taşıyan" bir tele temas eden başlık, aletin metal parçalarında da "akım geçmesine" ve operatöre elektrik çarpmasına neden olabilir)

GENEL

- Kurşun içeren boya, bazı ahşap türleri, mineral ve metal gibi malzemelerden çıkan toz zararlı olabilir (tozla temasta bulunulması veya solunması operatörde veya yakında bulunan kişilerde alerjik reaksiyonlara ve/veya solunum yolu hastalıklarına neden olabilir); **toz maskesi takın ve bağlanabiliyorsa bir toz çekme cihazıyla çalışın**
- Bazı toz tipleri (örneğin meşe ve kayın ağacı tozu), özellikle ahşap yenileme katkı maddeleriyle birlikte kanserojenik olarak sınıflandırılır; **toz maskesi takın ve bağlanabiliyorsa bir toz çekme cihazıyla çalışın**
- Çalışmak istediğiniz malzemelerin, toz ile ilgili ulusal taleplerini takip edin
- Asbest içeren malzemeler üzerinde çalışmayın (asbest kanserojen olarak kabul edilir)
- Herhangi bir aksesuar değişikliği yada ayarlar yapmadan veya cihaz hareket halindeyken ve/veya boşta beklerken dönme yönü seçici düğmesinin (A) orta pozisyonda (kilit pozisyonu) olduğuna emin olun

AKSESUARLAR

- SKIL sadece orijinal aksesuarlar kullanıldığında aletin

kusursuz çalışmasını garanti edebilir

- Bu aletle kullanacağınız aksesuar, devir sayısı en azından aletin boşta en yüksek devir sayısı kadar olmalıdır

KULLANMADAN ÖNCE

- İş parçasının vida, çivi ve benzeri malzeme tarafından hasar görmemesi için dikkatli olun; çalışmaya başlamadan önce bunları çıkartın
- **Çalıştığınız parçayı sabitleyin** (kıskaçlarla ya da mengeneyle sabitlenmiş bir iş parçası elle tutulan iş parçasından daha güvenlidir)
- **Görünmeyen elektrik kablolarını belirlemek için uygun bir tarama cihazı kullanın veya yerel akım kılal şirketlerinden yardım isteyin** (elektrik kablolarıyla temas, yangın çıkmasına veya elektrik çarpmalarına neden olabilir; bir gaz borusu hasar görürse patlama tehlikesi ortaya çıkar; bir su borusunun delinmesi halinde maddi hasarlar meydana gelebilir veya elektrik çarpması tehlikesi ortaya çıkabilir)

BATARYALAR

- **Ürünle birlikte verilen batarya kısmen şarj edilmiştir** (bataryanın tam kapasiteyle çalışmasını sağlamak için elektrikli aletinizi ilk kez kullanmadan önce bataryayı batarya şarj cihazında tamamen şarj edin)
- **Bu aletle sadece aşağıdaki bataryaları ve şarj cihazlarını kullanın**
 - SKIL batarya: BR1*31****
 - SKIL şarj cihazı: CR1*31****
- Hasarlı bataryaları kullanmayın ve hemen yenileyin
- Bataryayı parçalarına ayırmayın
- Aleti/bataryayı yağmura maruz bırakmayın
- İzin verilen ortam sıcaklığı (alet/şarj cihazı/batarya):
 - şarj olurken 4 ile 40 °C arasında
 - çalışırken -20 ile +50 °C arasında
 - depolanırken -20 ile +50 °C arasında

ALET/BATARYA ÜZERİNDEKİ SİMGELERİN AÇIKLAMASI

- 3 Kullanmadan önce kullanım kılavuzunu okuyun
- 4 Ateşe atılan bataryalar patlayabilir, bu yüzden hiçbir nedenle bir bataryayı yakmayın
- 5 Aleti, şarj cihazını ve bataryayı sıcaklığın 50 °C'yi aşmadığı yerlerde depolayın
- 6 Elektrikli aletleri ve bataryaları evsel atık malzemelerle birlikte çöpe atmayın

KULLANIM

- Bataryanın şarj edilmesi
- **! şarj cihazı ile birlikte verilen güvenlik uyarıları ve talimatlarını okuyun**
- Bataryanın çıkarılması/takılması ②
- Batarya seviyesi göstergesi ⑦
 - mevcut batarya seviyesini (⑦a) görmek için batarya seviyesi göstergesi düğmesine (H) basın
- **! düğmeye (H) bastıktan sonra batarya boşladığında batarya boşalmıştır**
- **! düğmeye (H) bastıktan sonra batarya göstergesinin 2 seviyesi (⑦b) yanıp sönmeye başladığında batarya boşalmıştır**
- **! düğmeye (H) bastıktan sonra batarya göstergesinin 2 seviyesi (⑦c) yanıp sönmeye başladığında batarya izin verilen çalışma sıcaklığı aralığında değildir**
- Batarya koruması
- Aşağıdaki durumlarda alet aniden kapanır veya tekrar çalıştırılmaz
 - **yük çok fazla olduğunda** -> yükü kaldırın ve yeniden çalıştırın
 - **batarya sıcaklığı, -20 ile +50 °C arasındaki izin**

verilen çalışma sıcaklığı aralığında olmadığında
--> H düğmesine bastığınızda batarya seviyesi göstergesinin 2 seviyesi (7c) yanıp sönmeye başlar; batarya sıcaklığı izin verilen çalışma sıcaklığı aralığına dönene kadar bekleyin

- **batarya bitmeye yakinken (aşırı boşalmaya karşı korumak için)** --> H düğmesine bastığınızda batarya seviyesi göstergesi tarafından düşük batarya seviyesi veya yanıp sönen düşük batarya seviyesi (7b) gösterilir

! **alet otomatik olarak kapandıktan sonra açma/kapatma düğmesine basmayın; batarya hasar görebilir**

- Kemer klipsinin takılması ⑧
 - kemer klipsini (L) birlikte verilen vida ile somun anahtarına takın
- Dönme yönünün değiştirilmesi ⑨
 - sol/sağ pozisyonları doğru olarak ayarlanmadığı takdirde açma/kapatma düğmesi (E2) çalışmaz
- ! **dönme yönünü sadece alet tamamen dururken değiştirin**
- Açma/kapatma ⑩ ve hız kontrolü ①1 işlevini gören kombine düğme ⑩
 - E düğmesine az veya çok basmak suretiyle hız sıfırdan maksimuma kadar kademesiz olarak ayarlanabilir ②
- LED ışık ⑫
 - Açma/kapatma düğmesine (E) basıldığında, LED ışık düğmesine (F) basıldığında veya mod düğmesine (G) basıldığında LED ışık yanar
 - İstenilen parlaklığı seçmek için LED ışık düğmesine basın:
Düşük parlaklık - açma/kapatma düğmesi bırakıldıktan yaklaşık 10 sn. sonra kapanır
Yüksek parlaklık - açma/kapatma düğmesi bırakıldıktan yaklaşık 600 sn. sonra kapanır
- ! **LED ışık hızlı yanıp sönmeye başladığında batarya koruması devreye girer (yukarı bakın)**

- Mod seçimi ⑬
 - istenen modu seçmek için mod düğmesine (G) basın:

Düşük hız modu (ışık "1" yeşil yanar) ⑬a

- daha düşük tork ve hızda sıkma
- küçük civatalar ve vidalar için

Orta hız modu (ışıklar "1 ve 2" yeşil yanar) ⑬b

- orta tork ve hızda sıkma
- orta hizmet uygulamalarında vidalar için

Yüksek hız modu (ışıklar "1, 2 ve 3" yeşil yanar) ⑬c

- yüksek kuvvetle ve hızda sıkma
- büyük vidalar ve civatalar için

Sökme kontrol modu (ışık "RM" yeşil yanar) ⑬d

- civataları ve somunları sıkılmak için
- civata veya somun gevşetildiğinde durur

! **kontrol modu sadece sökme yönünde kullanılabilir; vidayı sıkılmak için yüksek hız kullanılır**

! **modlar yalnızca yeşil LED(ler) yanarken ve alet tamamen dururken değiştirilebilir**

- Lokma soketleri takma ve çıkarma ⑭
 - bir lokma soketi takmak için soketi kare uca (D) itmeniz yeterlidir
 - bir lokma soketi çıkarmak için soketi kare uçtan çekmeniz yeterlidir

! **sadece 3/8" kare uca sahip lokma soketler kullanın**
⑭a

! **1/2" kare uçlu lokma soketler için adaptörü (M) kullanın** ⑭b

! **hasarlı lokma soketleri kullanmayın**

- Aleti tutma ve kullanma ⑮

! **çalışırken aleti her zaman gri renkli tutma yerlerinden tutun**

- havalandırma deliklerinin (B2) açık olmasını sağlayın
- alete çok fazla baskı uygulamayın; bırakın alet sizin için çalışsın

UYGULAMA ÖNERİLERİ

- Uygun uçları kullanın
- Bir tahtanın baş kısmına veya sonuna bir vida vidalanırken, tahtanın yarılmaması için bir ön kılavuz delik açın
- Aletin optimal kullanımı için vidanın üzerine sürekli baskı uygulanmalıdır
- Sert tahtaya vidalama yapmadan önce, bir ön kılavuz delik açılmalıdır
- Daha fazla bilgi için bkz. www.skil.com

BAKIM / SERVİS

- Bu alet profesyonel kullanıma yönelik değildir
- Aleti her zaman temiz tutun (özellikle havalandırma deliklerini (B) ②)
- ! **Temizlikten önce bataryayı aletten çıkarın**
- Dikkatli biçimde yürütülen üretim ve test prosedürlerine rağmen alet arızalanırsa onarım işlemleri SKIL elektrikli aletlerine yönelik bir satış sonrası servis merkezinde yapılmalıdır
 - aleti sökülmemiş olarak satın alma belgesiyle birlikte satıcınıza veya en yakın SKIL servisine gönderin (servis adresleri ve aletin servis çizelgesi www.skil.com adresinde listelenmiştir)
 - Aşırı yüklenme ve yanlış kullanımın aleti garanti kapsamından çıkaracağını unutmayın (SKIL garanti koşulları için www.skil.com adresine bakın veya satıcınıza başvurun)

ÇEVRE

- **Elektrikli aletleri, bataryaları, aksesuarları ve ambalaj malzemelerini evsel atıklarla birlikte çöpe atmayın** (sadece AB ülkeleri için)
 - atık elektrikli ve elektronik eşyalarla ilgili 2012/19/EC sayılı Avrupa Birliği Direktifi ve bu direktifin uyarlandığı ulusal yasalar gereğince kullanım ömrünün sonuna ulaşan elektrikli aletler ayrı olarak toplanmalı ve çevreye uyumlu bir geri dönüşüm tesisine gönderilmelidir
 - ⑥ sembolü, bertaraf etme ihtiyacı meydana geldiğinde size bunu hatırlatması içindir
- ! **bataryayı atmadan önce kısa devre oluşmasını önlemek için batarya kutuplarını kalın bantla sarın**

GÜRÜLTÜ / TİTREŞİM

- EN62841 standardına uygun olarak yapılan ölçümlere göre bu aletin ses basıncı seviyesi: 88 dB(A), ses gücü seviyesi 99 dB(A) (belirsizlik K = 3 dB) ve titreşim 9,1 m/s² (triaks vektör toplamı; belirsizlik K = 1.5 m/sn.²)
- Titreşim emisyonu seviyesi EN 62841 standardında belirtilen standart teste göre ölçülmüştür; bu seviye, bir aleti bir başkasıyla karşılaştırmak amacıyla ve aletin söz konusu uygulamalarda kullanılması sırasında titreşime

maruz kalma derecesinin ön değerlendirmesi olarak kullanilabilir

- aletin farklı uygulamalar için veya farkli ya da bakimi yetersiz yapilmis aksesuarlarla kullanilmasi, maruz kalma seviyesini belirgin biçimde artırabilir

- aletin kapali olduđu veya çalıştđđı ancak gerçek anlamda iş yapmadđđı zamanlarda, maruz kalma seviyesi belirgin biçimde azalabilir

! **aletin ve aksesuarlarının bakımını yaparak, ellerinizi sıcak tutarak ve çalışma şeklinizi organize ederek kendinizi titreşimin etkilerinden koruyun**

PL

Bezszcotkowy akumulatorowy 3265 klucz udarowy

WSTĘP

- To narzędzie jest przeznaczone do wkręcania i wykręcania wkrętów i śrub
- Narzędzie nie jest przeznaczone do zastosowań profesjonalnych
- Jeżeli którejs części brakuje lub jeżeli jakaś część jest uszkodzona, należy skontaktować się z dystrybutorem
- **Przed rozpoczęciem użytkowania prosimy dokładnie przeczytać niniejszą instrukcję. Instrukcję tę należy zachować na przyszłość** ③
- **Szczególną uwagę należy zwrócić na instrukcje i ostrzeżenia dotyczące bezpieczeństwa; zlekceważenie ich może doprowadzić do ciężkich urazów**

DANE TECHNICZNE ①

Maks. moment obrotowy do wkręcania z dużą siłą wg ISO 5393: 250Nm

ELEMENTY NARZĘDZIA ②

- A Selektor kierunku obrotów (wkręcanie/ poz. środkowa-blokada/wykręcanie)
- B Szczeliny wentylacyjne
- C Lampka LED
- D Kwadratowa końcówka
- E Przycisk włącznik/wyłącznik i regulator prędkości
- F Przycisk włączania oświetlenia LED
- G Przycisk trybu
- H Przycisk wskaźnika poziomu naładowania akumulatora
- J Miejsce na bity
- K Miejsce na mocowanie paska
- L Klips na pasek
- M Adapter*

*ELEMENT NIEDOSTĘPNY W STANDARDZIE

BEZPIECZEŃSTWO

OGÓLNE OSTRZEŻENIA DOTYCZĄCE BEZPIECZEŃSTWA UŻYWANIA ELEKTRONARZĘDZI

⚠ OSTRZEŻENIE Prosimy przeczytać wszystkie ostrzeżenia i instrukcje oraz przestudiować specyfikację i ilustracje dostarczone wraz z

elektronarzędziem. Niestosowanie się do wszystkich podanych niżej instrukcji może doprowadzić do porażenia prądem, pożaru i/lub poważnych obrażeń.

Wszystkie ostrzeżenia i instrukcje należy zachować na przyszłość.

Termin „elektronarzędzie” występujący w ostrzeżeniach dotyczy narzędzia elektrycznego o zasilaniu sieciowym (przewodowego) lub akumulatorowym (bezprowodowego).

1) BEZPIECZEŃSTWO W MIEJSCU PRACY

- a) **Należy dbać o czystość i dobre oświetlenie w miejscu pracy.** Bałagan i złe oświetlenie sprzyjają wypadkom.
- b) **Nie należy używać elektronarzędzi w miejscach zagrożonych wybuchem, np. w obecności łatwopalnych cieczy, gazów lub pyłu.** Elektronarzędzia wytwarzają iskry, które mogą zapalić opary lub pył.
- c) **W czasie pracy elektronarzędzie należy trzymać z dala od dzieci i osób postronnych.** Chwila nieuwagi może spowodować utratę kontroli nad urządzeniem.

2) BEZPIECZEŃSTWO ELEKTRYCZNE

- a) **Wtyczki elektronarzędzi muszą pasować do gniazdek. Nigdy w jakikolwiek sposób nie wolno przerabiać wtyczki. Do elektronarzędzi wymagających uziemienia nie należy używać przejściówek.** Oryginalne wtyczki i pasujące do nich gniazdzka zmniejszają ryzyko porażenia prądem.
 - b) **Należy unikać dotykania ciała powierzchni uziemionych, takich jak np. rury, kaloryfery, kuchenki i lodówki.** Uziemienie ciała zwiększa ryzyko porażenia prądem.
 - c) **Elektronarzędzia należy chronić przed deszczem i wilgocią.** Woda dostająca się do wnętrza elektronarzędzia zwiększa ryzyko porażenia prądem.
 - d) **Nie należy nadwyrażać przewodu. Nigdy nie należy używać przewodu do noszenia lub ciągnięcia elektronarzędzia; nie należy chwycić za przewód, aby wyjąć wtyczkę z kontaktu. Przewód należy chronić przed gorącym, ropą, olejem, ostrymi krawędziami i poruszającymi się częściami.** Zaplątane lub uszkodzone przewody zwiększają ryzyko porażenia prądem.
 - e) **Podczas używania elektronarzędzia na dworze należy stosować przedłużacz nadający się do używania na dworze.** Używanie przewodu przeznaczonego do stosowania na dworze zmniejsza ryzyko porażenia prądem.
 - f) **Jeżeli użycie elektronarzędzia w miejscu o dużej wilgotności jest nieuniknione, należy stosować zasilanie zabezpieczone wyłącznikiem różnicowoprądowym.** Używanie wyłącznika różnicowoprądowego zmniejsza ryzyko porażenia prądem.
- #### 3) BEZPIECZEŃSTWO OSOBISTE
- a) **Podczas pracy narzędziem należy zachowywać czujność, patrzeć, co się robi i kierować się zdrowym rozsądkiem. Nie należy używać elektronarzędzia, gdy użytkownik jest zmęczony, albo pod wpływem narkotyków, alkoholu lub leków.** Chwila nieuwagi w czasie postugiwania się

elektronarzędziami może spowodować poważne obrażenia.

- b) **Należy używać środków ochrony osobistej. Należy zawsze nosić okulary ochronne.** Stosowanie w odpowiednich warunkach sprzętu ochronnego takiego jak np. maska przeciwpyłowa, obuwie ochronne z podeszwami antypoślizgowymi, kask lub ochronniki słuchu zmniejszy ewentualne obrażenia.
 - c) **Nie należy dopuszczać do przypadkowego włączenia. Należy pilnować, aby przed podłączeniem narzędzia do zasilania i/lub baterii akumulatorowej oraz przed podniesieniem i przeniesieniem przełącznik był ustawiony w pozycji „wyłączone”.** Trzymanie palca na przełączniku włączającym w czasie przenoszenia elektronarzędzi lub podłączania ich do zasilania, gdy przełącznik ustawiony jest w pozycji „włączone”, może doprowadzić do wypadku.
 - d) **Przed włączeniem elektronarzędzia należy usunąć wszystkie klucze regulacyjne i inne narzędzia.** Klucz zaczepony o obracającą się część elektronarzędzia może spowodować obrażenia.
 - e) **Nie należy sięgać za daleko. Należy zawsze dbać o utrzymanie równowagi i pewne podparcie nóg.** W nieprzewidzianych sytuacjach zapewnią to lepszą kontrolę nad elektronarzędziem.
 - f) **Należy nosić odpowiednią odzież. Nie powinno się nosić luźnych ubrań ani biżuterii. Włosy i odzież należy trzymać w bezpiecznej odległości od poruszających się części.** Luźne ubrania, biżuteria lub długie włosy mogą zaczepić się o poruszające się części.
 - g) **Jeżeli urządzenie jest przystosowane do podłączania do odsysacza pyłu i urządzenia zbierającego, należy dopilnować, aby systemy te były podłączone i właściwie stosowane.** Używanie systemów służących do pochłaniania pyłu może zmniejszyć zagrożenia związane z pyłem.
 - h) **Nie wolno dopuścić do tego, aby poczucie znajomości narzędzia wynikające z jego częstego używania doprowadziło do lekceważenia i ignorowania zasad bezpieczeństwa.** Jedno lekkomyślne działanie może w ułamku sekundy doprowadzić do ciężkich urazów.
- 4) UŻYWANIE I KONSERWOWANIE ELEKTRONARZĘDZI**
- a) **Elektronarzędzia nie należy forsować. Należy używać narzędzia dostosowanego do wykonywanej pracy.** Odpowiednie narzędzie elektryczne wykona pracę lepiej i bezpieczniej, gdy pozwoli mu się pracować z prędkością/obrotami do jakich zostało zaprojektowane.
 - b) **Nie należy używać elektronarzędzia, jeżeli przełącznik zasilania nie włącza go lub nie wyłącza.** Elektronarzędzie, którego nie da się kontrolować przełącznikiem, jest potencjalnie niebezpieczne i wymaga naprawy.
 - c) **Przed przystąpieniem do regulacji elektronarzędzia oraz przed wymianą akcesoriów lub odłożeniem narzędzia na miejsce, należy odłączyć je od zasilania i/lub wyjąć akumulator.** Tego typu zapobiegawcze środki ostrożności zmniejszają ryzyko przypadkowego włączenia się elektronarzędzia.
 - d) **Nie używane elektronarzędzia należy przechowywać w miejscu niedostępnym dla dzieci. Osobom, które nie znają narzędzia lub nie zapoznały się z**

instrukcją nie należy pozwalać go używać. W rękach nieprzeszkolonych użytkowników elektronarzędzia mogą stanowić zagrożenie.

- e) **Elektronarzędzia i akcesoria należy utrzymywać w dobrym stanie. Należy kontrolować, czy części ruchome nie są odchyłone od osi, nie zacinają się i nie są pęknięte lub uszkodzone w inny sposób, który mógłby wpłynąć na działanie elektronarzędzia.** W razie uszkodzenia, przed użyciem narzędzie należy oddać do naprawy. Wiele wypadków wynika ze złej konserwacji elektronarzędzi.
 - f) **Należy dbać o czystość i naostrzenie narzędzi tnących.** Odpowiednio utrzymane narzędzia tnące z ostrymi krawędziami tnącymi są mniej narażone na zakleszczanie się i łatwiej jest je kontrolować.
 - g) **Elektronarzędzi, akcesoriów, wiertel, bitów, itp. należy używać zgodnie z niniejszą instrukcją, z uwzględnieniem warunków i rodzaju wykonywanej pracy.** Korzystanie z elektronarzędzi niezgodnie z przeznaczeniem może prowadzić do niebezpiecznych sytuacji.
 - h) **Należy dbać o to, aby uchwyty i powierzchnie do trzymania były suche, czyste i niezaplamiłone olejem lub smarem.** Śliskie uchwyty nie pozwalają w bezpieczny sposób kontrolować narzędzia w nieprzewidzianych sytuacjach.
- 5) UŻYWANIE I KONSERWOWANIE NARZĘDZI AKUMULATOROWYCH**
- a) **Do ładowania należy używać wyłącznie ładowarki wskazanej przez producenta.** Użycie ładowarki pochodzącej od jednego akumulatora do ładowania innego akumulatora grozi pożarem.
 - b) **Elektronarzędzi należy używać wyłącznie z dedykowanymi do nich akumulatorami.** Użycie jakiegokolwiek innych akumulatorów grozi obrażeniami i pożarem.
 - c) **Jeżeli akumulator nie jest używany, należy go przechowywać z dala od innych przedmiotów metalowych, np. spinaczy, monet, kluczy, gwoździ, śrub i innych drobnych przedmiotów metalowych, które mogłyby spowodować zwarcie wyprowadzeń akumulatora.** Zwarcie wyprowadzeń akumulatora może doprowadzić do oparzenia lub pożaru.
 - d) **W niesprzyjających warunkach może dojść do wycieku cieczy z akumulatora. Należy wtedy unikać wszelkiego kontaktu z tą cieczą. W razie przypadkowego kontaktu ze skórą, zabrudzone miejsce należy obficie przemyć wodą. Jeżeli płyn dostanie się do oczu, należy dodatkowo zasięgnąć porady lekarza.** Płyn wyciekający z akumulatora może powodować podrażnienie lub oparzenia.
 - e) **Nie należy używać akumulatorów lub narzędzi, które są uszkodzone lub zostały poddane przeróbkom.** Uszkodzone lub zmodyfikowane akumulatory mogą zachowywać się w sposób nieprzewidywalny, co może doprowadzić do pożaru lub wybuchu lub stwarzać ryzyko urazów.
 - f) **Nie należy narażać akumulatora lub narzędzia na kontakt z ogniem lub zbyt wysokimi temperaturami.** Ogień lub temperatury przekraczające 130°C mogą doprowadzić do wybuchu.
 - g) **Należy przestrzegać wszystkich instrukcji ładowania.** Nie należy ładować akumulatora lub

narzędzia poza przedziałem temperatur podanym w instrukcji. Ładowanie w sposób nieprawidłowy lub w temperaturze wykraczającej poza określony zakres może doprowadzić do uszkodzenia akumulatora i zwiększa ryzyko pożaru.

6) SERWISOWANIE

- a) **Serwisowanie elektronarzędzia należy powierzać wykwalifikowanemu serwisantowi, a do naprawy używać wyłącznie części zamiennych identycznych z oryginalnymi.** Zapewni to bezpieczeństwo eksploatacji elektronarzędzia.
- b) **Uszkodzonych akumulatorów nie należy nigdy naprawiać.** Jakiegokolwiek czynności serwisowe przy akumulatorach powinny być wykonywane wyłącznie przez producenta lub pracowników autoryzowanego serwisu.

INSTRUKCJE BEZPIECZEŃSTWA DOTYCZĄCE AKUMULATOROWEGO KLUCZA UDAROWEGO

- **Podczas wykonywania prac, w czasie których śruba mogłaby natrafić na ukryte przewody elektryczne, elektronarzędzie należy trzymać za izolowane powierzchnie uchwytów** (zestknięcie elementu połączeniowego z przewodem pod napięciem może spowodować, że nieizolowane części metalowe elektronarzędzia będą pod napięciem, co mogłoby doprowadzić do porażenia prądem elektrycznym)

KWESTIE OGÓLNE

- Pył pochodzący z takich materiałów, jak farby zawierające ołów, niektóre gatunki drzewa, minerały i metal może być szkodliwy (kontakt z nim lub wdychanie takiego pyłu może powodować reakcje alergiczne i/lub niewydolność oddechową u operatora lub osób towarzyszących); **należy zakładać maskę przeciwpyłową i pracować z urządzeniem odsysającym, o ile można je podłączyć**
- Niektóre rodzaje pyłu są zaklasyfikowane jako rakotwórcze (takie, jak pył dębu i buka) szczególnie w połączeniu z dodatkami do kondycjonowania drewna; **należy zakładać maskę przeciwpyłową i pracować z urządzeniem odsysającym pył, o ile można je podłączyć**
- Należy stosować się do lokalnych wymogów dotyczących pracy w otoczeniu pyłu powstającego podczas obróbki materiału
- Nie należy obrabiać materiału zawierającego azbest (azbest jest rakotwórczy)
- Przed regulacją elektronarzędzia, wymianą osprzętu, w czasie transportu lub podczas przechowywania należy pilnować, aby przełącznik kierunku obrotów A^② znajdował się w pozycji środkowej (blokada)

AKCESORIA

- Firma SKIL może zagwarantować bezawaryjne działanie narzędzia tylko pod warunkiem korzystania z oryginalnych akcesoriów
- Należy używać tylko akcesoriów, których dopuszczalna prędkość obrotowa jest co najmniej taka jak maksymalna prędkość obrotowa urządzenia bez obciążenia

PRZED UŻYCIEM

- Uwaga na gwoździe, śruby i inne twarde przedmioty; przed przystąpieniem do obróbki powinny być usunięte z obrabianego przedmiotu; usunąć je przed rozpoczęciem pracy
- **Należy zabezpieczyć miejsce wykonywania prac**

(obrabiany element umieszczony w zaciskach lub imadle jest utrzymywany bezpieczniej niż w ręku)

- **Aby wykręć ukryte przewody zasilające należy używać stosownych detektorów lub porozumieć się z miejscowymi zakładami energetycznymi** (kontakt z przewodami elektrycznymi może doprowadzić do pożaru i porażenia elektrycznego; uszkodzenie przewodu gazowego może doprowadzić do wybuchu; uszkodzenie przewodu instalacji wodociągowej powoduje szkody rzeczowe i może spowodować porażenie elektryczne)

AKUMULATORY

- **Dostarczany akumulator jest częściowo naładowany** (aby zapewnić pełne naładowanie akumulatora, przed użyciem elektronarzędzia po raz pierwszy akumulator należy całkowicie naładować ładowarką)
- **Do narzędzia należy stosować wyłącznie niższe akumulatory i ładowarki**
 - Akumulator SKIL: BR1 *31****
 - Ładowarka SKIL: CR1 *31****
- Uszkodzony akumulator należy natychmiast wymienić, nie wolno go używać do pracy
- Zabrania się rozmontowywania akumulatora
- Elektronarzędzia/akumulatora nie należy narażać na działanie opadów atmosferycznych
- Dopuszczalna temperatura otoczenia (narzędzie/ładowarka/akumulator):
 - podczas ładowania 4...40°C
 - podczas pracy -20...+50°C
 - podczas przechowywania -20...+50°C

OBJAŚNIENIE SYMBOLI NA NARZĘDZIU/ AKUMULATORZE

- ③ Przed użyciem należy przeczytać instrukcję
- ④ Akumulatory w kontakcie z ogniem mogą eksplodować, więc nie wolno ich pod żadnym pozorem spalać
- ⑤ Narzędzie/ładowarkę/akumulator należy zawsze przechowywać w miejscach o temperaturze nie przekraczającej 50°C
- ⑥ Narzędzia elektrycznych oraz baterii/akumulatorów nie należy wyrzucać razem z zwykłymi śmieciami z gospodarstw domowych

UŻYTKOWANIE

- Ładowanie akumulatora
 - ! **prosimy przeczytać ostrzeżenia dotyczące bezpieczeństwa oraz instrukcje dostarczone wraz z ładowarką**
- Wyjmowanie/zakładanie akumulatora ②
- Wskaźnik poziomu naładowania akumulatora ⑦
 - w celu wyświetlenia aktualnego poziomu naładowania ⑦a, należy nacisnąć przycisk wskaźnika poziomu naładowania akumulatora H
 - ! **gdy po wciśnięciu przycisku H ⑦b najniższy wskaźnik poziomu naładowania akumulatora zaczyna migać, wówczas oznacza to, że akumulator jest rozładowany**
 - ! **gdy po wciśnięciu przycisku H ⑦c zacznie migać 2 wskaźniki poziomu naładowania akumulatora, wówczas oznacza to, że temperatura akumulatora nie mieści się w dozwolonym przedziale pracy**
- System ochrony akumulatora
 - Narzędzie nagle wyłącza się lub nie można go włączyć, gdy
 - **obciążenie jest zbyt duże** -> należy usunąć

- obciążenie i uruchomić narzędzie ponownie
- **temperatura akumulatora jest poza dopuszczalnym zakresem wynoszącym od -20 do 50°C** --> po naciśnięciu przycisku H(7)c zaczyna migać 2 paski poziomu energii akumulatora na wskaźniku; należy poczekać, aż temperatura akumulatora powródzi do dopuszczalnego zakresu pracy
 - **akumulator jest prawie całkowicie rozładowany (zabezpieczenie przed głębokim rozładowaniem)** --> naciśnięcie przycisku H powoduje wyświetlenie się na wskaźniku oznaczenia niskiego poziomu naładowania akumulatora lub miganie paska niskiego poziomu akumulatora (7)b; należy naładować akumulator
 - ! **po automatycznym wyłączeniu narzędzia nie należy naciskać przycisku „on/off” („wł./wył.”), ponieważ może to spowodować uszkodzenie akumulatora**
 - Mocowanie zaczepu na pasek (8)
 - zaczep na pasek L należy zamocować do klucza za pomocą dołączonej śruby
 - Zmiana kierunku obrotów (9)
 - w przypadku niewłaściwej pozycji przełącznika w lewo/prawo przełącznik E(2) jest zablokowany
 - ! **kierunek obrotów można zmieniać tylko wtedy, gdy narzędzie jest całkowicie zatrzymane**
 - Włącznik/wyłącznik (10) ze sterowaniem prędkości obrotowej (11)
 - zmieniając stopień nacisku na przycisk E(2) można bezstopniowo sterować prędkością w zakresie od zera do maksymalnej prędkości obrotowej
 - Lampka LED (12)
 - Lampka LED włącza się po wciśnięciu przełącznika włącz/wyłącz E lub po naciśnięciu przycisku LED F lub przycisku trybu G
 - Aby wybrać żądaną jasność, należy nacisnąć przycisk lampki LED:
 - Niska jasność** - wyłącza się ok. 10 s po puszczeniu przełącznika włącz/wyłącz
 - Wysoka jasność** - wyłącza się ok. 600 s po puszczeniu przełącznika włącz/wyłącz
 - ! **Szybkie miganie diody LED oznacza, że włączył się system ochrony akumulatora (patrz powyżej)**
 - Wybór trybu (13)
 - nacisnąć przycisk trybu G, aby wybrać żądany tryb:
 - Tryb małej prędkości (kontrolka „1” świeci na zielono) (13)a**
 - dokręcanie z mniejszą siłą i małą prędkością
 - do małych śrub i wkrętów
 - Tryb średniej prędkości (kontrolki „1 i 2” świecą na zielono) (13)b**
 - dokręcanie ze średnią siłą i prędkością
 - do śrub do średnio ciężkich zastosowań
 - Tryb dużej prędkości (kontrolki „1 i 2 i 3” świecą na zielono) (13)c**
 - dokręcanie z dużą siłą i wysoką prędkością
 - do dużych wkrętów i śrub
 - Odwrotny tryb sterowania (kontrolka „RM” świeci na zielono) (13)d**
 - do odkręcania śrub i nakrętek
 - po odkręceniu śruby lub nakrętki następuje zatrzymanie
 - ! **tryb regulacji dostępny jest tylko przy ustawieniu**

kierunku do tyłu; kierunek do przodu służy do pracy z dużą prędkością

! **tryby można zmieniać tylko wtedy, gdy świecą się zielone diody LED i gdy narzędzie jest całkowicie zatrzymane**

- Instalowanie i zdejmowanie nasadek (14)
 - aby zainstalować nasadkę, należy ją po prostu wcisnąć na kwadratową końcówkę D
 - aby zdjąć nasadkę, wystarczy ją po prostu ściągnąć z kwadratowej końcówki D
 - ! **nasadek należy używać tylko z końcówką kwadratową o rozmiarze 3/8" (14)a**
 - ! **do nasadek z końcówką kwadratową (14)b o rozmiarze 1/2" należy używać adaptera M**
 - ! **nie używać zniszczonych nasadek**
- Trzymanie i prowadzenie narzędzia (15)
 - ! **podczas pracy należy zawsze trzymać narzędzie za uchwyt(y) w kolorze szarym**
 - szczeliny wentylacyjne B(2) nie mogą być zastonięte
 - nie przyciskać narzędzia zbyt silnie; należy pozwolić mu pracować

WSKAZÓWKI DOTYCZĄCE UŻYTKOWANIA

- Używać właściwych wiertel
- W celu uniknięcia rozwarstwiania przedmiotów drewnianych przy wkręcaniu wkrętów na brzegu należy otwór odpowiednio nawiercić
- Przy wkręcaniu, a szczególnie wykręcaniu wymagane jest wywieranie stałego nacisku na łeb wkręta
- Przy wkręcaniu wkrętów w twarde drewno wykonać otwór wstępny
- Więcej informacji znaleźć można na stronie www.skil.com

KONSERWACJA/SERWISOWANIE

- Narzędzie nie jest przeznaczone do zastosowań profesjonalnych
- Należy zawsze dbać o czystość narzędzia (a szczególnie szczelin wentylacyjnych B(2))
- ! **Przed rozpoczęciem czyszczenia należy wyjąć z narzędzia akumulator**
- Jeśli narzędzie, mimo dokładnej i wszechstronnej kontroli produkcyjnej ulegnie kiedykolwiek awarii, naprawę powinien przeprowadzić autoryzowany serwis elektronarzędzi firmy SKIL
 - nierozbrane narzędzie należy odesłać, wraz z dowodem zakupu, do swojego sprzedawcy lub do najbliższego punktu serwisowego SKIL (adresy oraz schemat serwisowy narzędzia są podane na stronie www.skil.com)
 - Prosimy pamiętać, że uszkodzenia spowodowane przeciążeniem lub niewłaściwym użytkowaniem narzędzia nie podlegają gwarancji (warunki gwarancji SKIL znajdują się na www.skil.com, ewentualnie można też zapytać swojego dystrybutora)

ŚRODOWISKO

- **Elektronarzędzi, akumulatorów, akcesoriów i opakowania nie należy wyrzucać razem z odpadami z gospodarstwa domowego** (dotyczy tylko państw UE)
 - zgodnie z Europejską Dyrektywą 2012/19/WE w

справле zużytego sprzętu elektrotechnicznego i elektronicznego oraz dostosowaniem jej do prawa krajowego, zużyte elektronarzędzia należy posegregować i zutylizować w sposób przyjazny dla środowiska

- в przypadku potrzeby позбывця się narzędzia, akcesoriów i opakowania - przypomni Ci o tym symbol ⑥

! aby nie dopuścić do zwarcia, przed użyciem należy zabezpieczyć wyprowadzenia akumulatora grubą taśmą

HAŁAS/DRGANIA

- Poziom ciśnienia akustycznego narzędzia zmierzony zgodnie z normą EN62841 wynosi 88 dB(A), a poziom mocy akustycznej wynosi 99 dB(A) (niepewność K = 3 dB), drgania 9,1 m/s² (sumy wektorowe przyspieszeń mierzone czujnikiem triax; niepewność K = 1,5 m/s²)
- Poziom emisji drgań został zmierzony zgodnie z testem standaryzowanym podanym w EN62841; może on służyć do porównania jednego narzędzia z innym i jako ocena wstępna narażenia na wibracje w trakcie używania narzędzia do wymienionych zadań
- używanie narzędzia do innych zastosowań, lub z innymi albo źle utrzymanymi akcesoriami, może znacząco zwiększyć poziom narażenia
- przypadki, kiedy narzędzie jest wyłączone lub pracuje, ale aktualnie nie wykonuje zadania, mogą znacząco zmniejszyć poziom narażenia

! należy chronić się przed skutkami wibracji przez konserwację narzędzia i jego akcesoriów, dbanie o ciepło dłoni i właściwą organizację pracy

RU

Бесщеточный аккумуляторный 3265 ударный гайковерт

предусмотренных изготовителем для продукции, могут входить настоящее руководство по эксплуатации, а также приложения. Информация о подтверждении соответствия содержится в приложении.

Срок службы изделия

Срок службы изделия составляет 7 лет. Не рекомендуется к эксплуатации по истечении 5 лет хранения с даты изготовления без предварительной проверки (дату изготовления см. на этикетке).

Перечень критических отказов и ошибочные действия персонала или пользователя

- не использовать с поврежденной рукояткой или поврежденным защитным кожухом
- не использовать при появлении дыма непосредственно из корпуса изделия
- не использовать с перебитым или оголенным электрическим кабелем
- не использовать на открытом пространстве во время дождя (в распыляемой воде)
- не включать при попадании воды в корпус
- не использовать при сильном искрении
- не использовать при появлении сильной вибрации

Критерии предельных состояний

- перетёрт или повреждён электрический кабель
- поврежден корпус изделия

Тип и периодичность технического обслуживания

Рекомендуется очистить инструмент от пыли после каждого использования.

Хранение

- необходимо хранить в сухом месте
- необходимо хранить вдали от источников повышенных температур и воздействия солнечных лучей
- при хранении необходимо избегать резкого перепада температур
- хранение без упаковки не допускается
- подробные требования к условиям хранения смотрите в ГОСТ 15150 (Условие 1)

Транспортировка

- категорически не допускается падение и любые механические воздействия на упаковку при транспортировке
- при разгрузке/погрузке не допускается использование любого вида техники, работающей по принципу зажима упаковки
- подробные требования к условиям транспортировки смотрите в ГОСТ 15150 (Условие 5)

ВНИМАНИЕ!

В случае возникновения перебоя в работе электроинструмента вследствие полного или частичного прекращения энергоснабжения или повреждения цепи управления энергоснабжением установите выключатель в положение Выкл., убедившись, что он не заблокирован (при его наличии) и отключите сетевую вилку от розетки или отсоедините съёмный аккумулятор (этим предотвращается неконтролируемый повторный запуск)

ВВЕДЕНИЕ

- Этот инструмент предназначен для завинчивания и отвинчивания шурупов, винтов и болтов.
- Данное устройство не предназначено для профессионального использования.
- Если какой-либо компонент отсутствует или поврежден, свяжитесь с поставщиком.
- **Перед использованием устройства внимательно ознакомьтесь с данной инструкцией и сохраните ее для последующего использования ③.**
- **Обратите особое внимание на инструкции по технике безопасности и предупреждения — их несоблюдение может привести к серьезным травмам.**

ТЕХНИЧЕСКИЕ ХАРАКТЕРИСТИКИ ①

Максимальный крутящий момент для тяжелых условий закручивания согласно ISO 5393: 250 Нм

СТРАНА ИЗГОТОВЛЕНИЯ

Сделано в Китае

КОМПОНЕНТЫ УСТРОЙСТВА ②

A Селектор направления вращения (вперед/

- центральная блокировка/реверс)
- B** Вентиляционные отверстия
- C** Светодиодная подсветка
- D** Квадратный хвостовик
- E** Переключатель для включения/
выключения и регулировки скорости
- F** Кнопка со светодиодной подсветкой
- G** Кнопка выбора режима
- H** Кнопка индикатора уровня заряда аккумулятора
- J** Область хранения бит
- K** Место крепления наручного ремня
- L** Зажим для крепления к ремню
- M** Адаптер*

*НЕ ВХОДЯТ В СТАНДАРТНЫЙ КОМПЛЕКТ

БЕЗОПАСНОСТЬ

ОБЩИЕ ПРАВИЛА ТЕХНИКИ БЕЗОПАСНОСТИ ПРИ РАБОТЕ С ЭЛЕКТРОИНСТРУМЕНТАМИ

⚠ ПРЕДУПРЕЖДЕНИЕ. Прочитайте все правила безопасности, инструкции, иллюстрации и спецификации, прилагаемые к этому электроинструменту. Невыполнение изложенных ниже инструкций может привести к поражению электрическим током, пожару и (или) тяжелым травмам.

Сохраните все предупреждения и инструкции для использования в будущем.

Термин «электроинструмент» в предупреждениях означает электрический инструмент с питанием от сети (с кабелем) или электрический инструмент с питанием от аккумулятора (без кабеля).

1) БЕЗОПАСНОСТЬ РАБОЧЕГО МЕСТА

- a) Обеспечьте чистоту и освещенность рабочего места.** Загроможденные и плохо освещенные места служат причиной несчастных случаев.
- b) Не используйте электроинструменты во взрывоопасных местах, например вблизи горючих жидкостей, газов или пыли.** Электроинструменты генерируют искры, которые могут воспламенить пыль или испарения.
- c) Не позволяйте детям и посторонним находиться вблизи работающего электроинструмента.** Отвлекающие факторы могут привести к потере контроля.

2) ЭЛЕКТРОТЕХНИЧЕСКАЯ БЕЗОПАСНОСТЬ

- a) Вилка электроинструмента должна соответствовать розетке. Никогда не переделывайте вилку. Не используйте никакие переходники для вилок электроинструментов с заземлением.** Использование оригинальных вилок и соответствующих им розеток уменьшает риск поражения электрическим током.
- b) Избегайте прикосновений к заземленным объектам, таким как трубы, радиаторы, плиты и холодильники.** Риск поражения электрическим током выше, когда тело заземлено.
- c) Не подвергайте электроинструменты воздействию дождя или влаги.** При попадании воды в электроинструмент увеличивается риск

поражения электрическим током.

- d) Обращайтесь с кабелем аккуратно. Никогда не переносите, не тяните и не выключайте электроинструмент за кабель. Держите кабель подальше от источников тепла, масла, острых предметов или движущихся частей.** Поврежденные или запутанные кабели повышают риск поражения электрическим током.
 - e) Для работы с электроинструментом вне помещения используйте предназначенный для этого удлинительный кабель.** Использование кабеля, подходящего для использования вне помещения, снижает риск поражения электрическим током.
 - f) Если использование электроинструмента в сыром помещении неизбежно, подключайте его через устройство защитного отключения (УЗО).** Использование УЗО снижает риск поражения электрическим током.
- #### 3) ЛИЧНАЯ БЕЗОПАСНОСТЬ
- a) При использовании электроинструмента будьте бдительны, следите за своими действиями и следуйте здравому смыслу. Не пользуйтесь электроинструментом, если вы устали или находитесь под воздействием наркотиков, алкоголя или медикаментов.** Даже кратковременная невнимательность при работе с электроинструментом может привести к тяжелым травмам.
 - b) Используйте средства индивидуальной защиты. Всегда используйте защитные средства для глаз.** Использование защитного оборудования, такого как противовсплывающая маска, нескользящая предохранительная обувь, жесткая каска или устройства защиты органов слуха в соответствующих условиях уменьшает риск травмирования.
 - c) Не допускайте непредвиденных запусков. Перед подключением инструмента к сети питания (или аккумулятора) и перед его переносной убедитесь, что выключатель находится в выключенном положении.** Не держите палец на выключателе при переноске электроинструментов и не включайте вилку в розетку, если электроинструмент включен. Это может привести к несчастному случаю.
 - d) Перед включением электроинструмента снимите с него регулировочные инструменты и гаечные ключи.** Регулировочный инструмент или гаечный ключ, оставленный на вращающейся части электроинструмента, может стать причиной травмы.
 - e) Не тянитесь. Всегда сохраняйте устойчивое положение и равновесие.** Это позволит лучше контролировать электроинструмент в непредвиденных ситуациях.
 - f) Одевайтесь надлежащим образом. Не надевайте свободную одежду и украшения. Держите волосы и одежду подальше от движущихся частей.** Свободная одежда, украшения и длинные волосы могут попасть в движущиеся части.
 - g) При наличии устройств для отвода и сбора пыли убедитесь, что они подключены и правильно работают.** Использование пылеулавливающих устройств снижает вред, причиняемый пылью.

- h) **Не допускайте небрежности, которая может возникнуть из-за частого использования инструмента и повлечь за собой самоуверенность и игнорирование правил безопасности.** Неосторожное действие может причинить серьезную травму за доли секунды.
- 4) **ЭСПЛУАТАЦИЯ И ОБСЛУЖИВАНИЕ ЭЛЕКТРОИНСТРУМЕНТА**
- a) **Не прикладывайте к электроинструменту чрезмерных усилий. Используйте подходящий для ваших задач электроинструмент.** Правильно выбранный электроинструмент более эффективен и безопасен при номинальной нагрузке.
- b) **Не используйте электроинструмент, если его выключатель неисправен.** Электроинструменты с неисправным выключателем опасны и подлежат ремонту.
- c) **Перед регулировкой, сменой аксессуаров или хранением отключите электроинструмент от сети питания и (или) взвлеките аккумулятор, если это возможно.** Такие меры предосторожности снижают риск случайного запуска электроинструмента.
- d) **Храните неиспользуемые электроинструменты в местах, недоступных для детей, и не доверяйте электроинструмент лицам, не знакомым с ним и с этими инструкциями.** Электроинструменты опасны в руках неподготовленных пользователей.
- e) **Выполняйте техническое обслуживание электроинструментов и принадлежностей. Проверьте выравнивание и сцепление подвижных деталей, наличие поломок и прочие условия, которые могут повлиять на работу электроинструмента. Если электроинструмент поврежден, перед использованием его необходимо отремонтировать.** Недостаточный уход за электроинструментом является причиной многих несчастных случаев.
- f) **Храните режущие инструменты в чистоте и заточенном состоянии.** Правильно обслуживаемые и хорошо заточенные режущие инструменты меньше заклинивают и лучше контролируются.
- g) **Используйте электроинструмент, аксессуары, насадки и т. п. в соответствии с этими инструкциями, учитывая условия и специфику выполняемой работы.** Использование электроинструмента для выполнения непредусмотренных операций может привести к опасным ситуациям.
- h) **Следите за тем, чтобы рукоятки и поверхности захвата были сухими и чистыми и на них не было масла или смазочного материала.** Скользкие рукоятки и поверхности захвата не позволяют безопасно использовать инструмент и контролировать его в непредвиденных ситуациях.
- 5) **ЭСПЛУАТАЦИЯ И ОБСЛУЖИВАНИЕ ИНСТРУМЕНТА С ПИТАНИЕМ ОТ АККУМУЛЯТОРА**
- a) **Заряжайте аккумуляторы только с помощью зарядного устройства, указанного изготовителем.** Зарядное устройство, предназначенное для одного типа аккумуляторных батарей, может стать причиной пожара при использовании с другим типом батарей.
- b) **Используйте электроинструмент только со специально предназначенными для него аккумуляторами.** Использование любого другого вида аккумуляторных батарей может стать причиной несчастных случаев или пожара.
- c) **Когда аккумулятор не используется, храните его отдельно от металлических предметов — канцелярских скрепок, монет, ключей, гвоздей, винтов и др. — они могут соединить контакты.** Короткое замыкание контактов аккумуляторной батареи может стать причиной ожогов или пожара.
- d) **При неблагоприятных обстоятельствах из аккумулятора может потечь электролит. Избегайте контакта с ним. При случайном контакте промойте водой. Если жидкость попала в глаза, обратитесь к врачу.** Жидкость из аккумуляторной батареи может вызвать раздражение и ожоги.
- e) **Не используйте аккумулятор и инструмент, если они повреждены или подвергались модификациям.** Поведение поврежденных или модифицированных аккумуляторов может быть непредсказуемым, что приведет к возгоранию, взрыву и риску получения травм.
- f) **Не подвергайте аккумуляторную батарею и инструмент воздействию огня и высокой температуры.** Воздействие огня или температуры выше 130°C может привести к взрыву.
- g) **Следуйте всем инструкциям по зарядке и не заряжайте аккумулятор и инструмент при температуре, выходящей за пределы указанного диапазона.** Если зарядка выполняется неправильно или в условиях неподходящей температуры, это может привести к повреждению аккумулятора и возгоранию.
- 6) **РЕМОНТ**
- a) **Ремонт электроинструмента должен выполняться квалифицированным специалистом с использованием только идентичных запасных частей.** Это обеспечит безопасную работу электроинструмента.
- b) **Никогда не выполняйте обслуживание поврежденного аккумулятора.** Обслуживание аккумуляторов должно выполняться только производителем или в авторизованном сервисном центре.

ПРАВИЛА ТЕХНИКИ БЕЗОПАСНОСТИ ПРИ РАБОТЕ С АККУМУЛЯТОРНЫМ УДАРНЫМ ГАЙКОВЕРТОМ

- Если при пользовании инструментом крепеж может задеть скрытую проводку, инструмент следует держать за изолированные поверхности (контакт крепежа с находящейся под напряжением проводкой может привести к подаче напряжения на металлические части инструмента и поражению оператора электрическим током).

ОБЩИЕ ПОЛОЖЕНИЯ

- Пыль от материалов, таких как краска с содержанием свинца, некоторые породы дерева, минералы и металлы, может быть вредна. Контакт с такой пылью или ее вдыхание может вызвать аллергические реакции и (или) болезнь органов

дыхания у оператора или находящихся рядом лиц. **Необходимо надевать респиратор и по возможности использовать пылеулавливающее устройство.**

- Некоторые виды пыли классифицируются как канцерогенные (например, дубовая и буковая пыль), особенно в сочетании с добавками для кондиционирования древесины. **Надевайте респиратор и по возможности используйте пылеулавливающие устройства.**
- При работе с различными материалами следуйте национальным нормативным требованиям в отношении пыли.
- Не обрабатывайте материалы, содержащие асбест. Асбест считается канцерогенным веществом.
- Перед настройкой инструмента или заменой принадлежностей, а также при переноске и хранении инструмента убедитесь, что переключатель направления вращения АО2 находится в центральном положении (заблокирован).

ПРИНАДЛЕЖНОСТИ

- Компания SKIL может гарантировать безупречную работу инструмента только при использовании оригинальных принадлежностей.
- Используйте только такие принадлежности, допустимая скорость вращения которых по крайней мере равна самой высокой скорости работы устройства без нагрузки.

ПЕРЕД ИСПОЛЬЗОВАНИЕМ

- Остерегайтесь винтов, гвоздей и прочих предметов в заготовке, уберите их перед началом работы.
- **Закрепите заготовку** (надежнее зафиксировать заготовку в зажимном устройстве или в тисках, чем удерживать ее рукой).
- **Для обнаружения скрытых коммуникаций используйте соответствующие детекторы или обратитесь за помощью в местное коммунальное предприятие.** Контакт с электропроводкой может привести к пожару или поражению электрическим током, повреждение газопровода может привести к взрыву, а повреждение водопровода может повлечь повреждение имущества или поражение электрическим током.

АККУМУЛЯТОРЫ

- **Аккумулятор поставляется частично заряженным.** Чтобы обеспечить полную емкость аккумулятора, перед первым использованием инструмента полностью зарядите аккумулятор с помощью зарядного устройства..
- **Используйте с этим инструментом только следующие аккумуляторы и зарядные устройства.**
 - Аккумулятор SKIL: BR1*31****
 - Зарядное устройство SKIL: CR1*31****
- Не используйте поврежденный аккумулятор, его необходимо немедленно заменить.
- Не разбирайте аккумулятор.
- Не оставляйте инструмент и аккумулятор под дождем.
- Допустимая температура окружающей среды (инструмент/зарядное устройство/аккумулятор):
 - при зарядке 4...40 °C
 - при эксплуатации -20...+50 °C
 - при хранении -20...+50 °C

ПОЯСНЕНИЯ К ОБОЗНАЧЕНИЯМ НА ИНСТРУМЕНТЕ И АККУМУЛЯТОРЕ

- 3 Перед использованием ознакомьтесь с инструкциями.
- 4 При попадании в огонь аккумулятор может взорваться. Ни в коем случае не сжигайте аккумуляторы.
- 5 Храните инструмент, зарядное устройство и аккумулятор в таких местах, где температура не превышает 50 °C.
- 6 Не выбрасывайте электроинструменты и аккумуляторы вместе с бытовыми отходами.

ИСПОЛЬЗОВАНИЕ

- Зарядка аккумулятора
! Ознакомьтесь с предупреждениями и инструкциями по технике безопасности, прилагаемыми к зарядному устройству.
- Извлечение и установка аккумулятора ②
- Индикатор уровня заряда ⑦
 - Нажмите кнопку индикатора уровня заряда аккумулятора Н, чтобы увидеть текущий уровень заряда ⑦а
 - ! Если после нажатия кнопки Н ⑦b начинает мигать самый низкий уровень заряда, аккумулятор разряжен.**
 - ! Если после нажатия кнопки Н ⑦с начинают мигать 2 уровня индикатора заряда, температура аккумулятора выходит за пределы допустимого диапазона рабочих температур.**
- Защита аккумулятора
Инструмент внезапно выключается или не включается, когда:
 - нагрузка слишком высока --> уменьшите нагрузку и выполните перезапуск;
 - температура аккумулятора вышла за пределы допустимого диапазона рабочих температур от -20 до +50 °C --> при нажатии кнопки Н ⑦с начинают мигать 2 уровня индикатора уровня заряда. Дождитесь, пока температура аккумулятора вернется в допустимый диапазон рабочих температур;
 - аккумулятор почти разряжен (для защиты от глубокого разряда) --> низкий уровень заряда или мигающий низкий уровень заряда аккумулятора ⑦b отображается индикатором при нажатии кнопки Н. Зарядите аккумулятор.
- **! В случае автоматического выключения инструмента не пытайтесь включить его снова, поскольку при этом может быть поврежден аккумулятор.**
- Установка зажима для крепления к ремню ⑧
 - Прикрепите зажим для крепления к ремню L к инструменту с помощью прилагаемого винта
- Изменение направления вращения ⑨
 - При неправильной установке в левое или правое положение переключатель E ② не может быть активирован.
 - ! Изменяйте направление вращения только тогда инструмент полностью остановлен.**
- Переключатель предназначен для включения/выключения ⑩ и регулировки скорости ⑪

- Скорость плавно регулируется от нуля до максимума путем уменьшения или увеличения давления на переключатель E ②
- Светодиодная подсветка ⑫
 - Светодиодная подсветка включается при нажатии на переключатель E или нажатии кнопки светодиодной подсветки F или кнопки режима G.
 - Нажмите кнопку светодиодной подсветки, чтобы выбрать желаемую яркость.
 - Низкая яркость** - выключается примерно через 10 секунд после отпущения переключателя включения/выключения.
 - Высокая яркость** - выключается примерно через 600 секунд после отпущения переключателя включения/выключения.
 - ! Если светодиодная подсветка начинает быстро мигать, активируется защита аккумулятора (см. ниже).
- Выбор режима ⑬
 - Нажмите кнопку режима G, чтобы выбрать нужный режим.
 - Режим низкой скорости (индикатор 1 светится зеленым) ⑬a**
 - Затыжка с меньшим моментом и на низкой скорости.
 - Для маленьких болтов и винтов.
 - Режим средней скорости (индикаторы 1 и 2 светятся зеленым) ⑬b**
 - Затыжка со средним моментом и скоростью.
 - Для средних винтов.
 - Режим высокой скорости (индикаторы 1, 2 и 3 светятся зеленым) ⑬c**
 - Затыжка с большим усилием и на высокой скорости.
 - Для больших винтов и болтов.
 - Режим управления обратным вращением (индикатор RM светится зеленым) ⑬d**
 - Для откручивания болтов и гаек.
 - Останавливается при ослаблении болта или гайки.
- ! В режиме управления доступно только обратное вращение. Вращение вперед используется на высокой скорости.
- ! Режим можно изменить только при светящихся зеленых светодиодах и полной остановке инструмента.
- Установка и снятие головок ⑭
 - Чтобы установить головку, просто наденьте ее на квадратный хвостовик D.
 - Чтобы снять головку, просто снимите ее с квадратного хвостовика D.
 - ! Используйте головки только с квадратным хвостовиком 3/8" ⑭a.
 - ! Для головок с квадратным хвостовиком 1/2" используйте адаптер M (Рис. ⑭b).
 - ! Не используйте поврежденные головки.
- Удерживание и направление инструмента ⑮
 - ! Во время работы всегда держите инструмент за места правильного хвата, обозначенные серым цветом.
 - Не закрывайте вентиляционные отверстия B ②.
 - Не прилагайте слишком больших усилий к инструменту, работайте спокойно.

СОВЕТЫ ПО ИСПОЛЬЗОВАНИЮ

- Используйте только надлежащие биты
- При вкручивании шурупа в торец или край деревянной поверхности предварительно просверлите отверстие, чтобы дерево не треснуло.
- Для обеспечения оптимального режима работы инструмента нажимайте на винт с постоянным усилием при заворачивании и, особенно, при отворачивании
- При заворачивании в твердое дерево предварительно просверлите отверстие для винта
- Дополнительную информацию см. на сайте www.skil.com.

ТЕХНИЧЕСКОЕ ОБСЛУЖИВАНИЕ И УХОД

- Данное устройство не предназначено для профессионального использования.
- Всегда содержите инструмент в чистоте, особенно вентиляционные отверстия B ②)
 - ! Перед очисткой извлеките из инструмента аккумулятор.
- Если несмотря на тщательность изготовления и испытаний инструмент выйдет из строя, его ремонт должен осуществляться в центре послепродажного обслуживания электроинструментов SKIL.
 - Отправьте инструмент в разобранном виде вместе с документом, подтверждающим покупку, вашему дилеру или в ближайший сервисный центр SKIL. Адреса и сервисная схема инструмента приведены на сайте www.skil.com.
 - Имейте в виду, что на повреждения, вызванные перегрузкой или неправильным обращением с инструментом, гарантия не распространяется. Условия гарантии SKIL см. на сайте www.skil.com или уточните у дилера.

ЗАЩИТА ОКРУЖАЮЩЕЙ СРЕДЫ

- Не выбрасывайте электроинструменты, аккумуляторы, принадлежности и упавшую вместе с бытовыми отходами (только для стран ЕС).
 - В соответствии с Европейской директивой 2012/19/ЕС об отходах электрического и электронного оборудования и ее выполнением в соответствии с национальным законодательством электрические инструменты, отслужившие свой срок, должны собираться отдельно и доставляться на перерабатывающее предприятие, не наносящее ущерба окружающей среде.
 - Символ ⑥ напоминает об этом, когда возникнет необходимость в утилизации.
 - ! Перед утилизацией аккумулятора защитите его клеммы плотной изоляционной лентой для предотвращения короткого замыкания.

УРОВЕНЬ ШУМА И ВИБРАЦИИ

- Согласно измерениям в соответствии со стандартом EN62841 уровень звукового давления данного инструмента составляет 88 дБ (A), уровень звуковой мощности 99 дБ (A) (погрешность K=3 дБ), а вибрация 9,1 м/с² (суммарная трехкомпонентная вибрация; погрешность K=1,5 м/с²).

- Урeвeнь вибрaцiї бeл и змeрeн в сoтвeтствiї сo стaндaртизoвaннeм испитaннeм, сoдeржaщимсe в EN 62841, и мoжeт испoльзoвaтисe для срaвнeннeя oднoгo iнструмeнтa с другим, a тaкжe для прeдвaритeльнoї oцeнки вoздeйствiя вибрaцiї при испoльзoвaннi дaннoгo iнструмeнтa в укaзaннх цeлeх.
 - При испoльзoвaннi iнструмeнтa в других цeлeх или с другими либo нeиспрaвними принадлeжнoстями урeвeнь вибрaцiї мoжeт знaчeтeльнo пoвышaтисe.
 - Кoгдa iнструмeнт oтклoчeн или рoбoтaeт вxoлoстoю, урeвeнь вибрaцiї мoжeт знaчeтeльнo снижaтисe.
- ! Чoбы зaщититисe oт вoздeйствiя вибрaцiї, пoддeрживaйтe iнструмeнт и eгo принадлeжнoстi в испрaвнoм сoстoяннi, дeржитe рyки в тeплe, a тaкжe пoвeрлнo oргaнiзoвувaйтe рoбoчий прoцeс.**

UA

Безщiткoвий бeздрoтoвий ударний гaйкoвeрт 3265

ВСТУП

- Цей iнструмeнт, щo мae прaвe/лiвe oбeртaння, признaчeний для вкрyчyвaння тa вкрyчyвaння гвiнтiв i бoлтiв
- Цей iнструмeнт нe придaтний для прoмислoвoгo викoристaння
- У рaзi вiдсyтнoстi чи пoшкoджeння дeтaлeй прoсимo звeртaтисe в мaгaзин, дe бyлo придбaнo iнструмeнт
- **Пeрeд викoристaнням прилaдy oвaжнo прoчитaйтe цю iнструкцiю з експлoуaцiї тa збeрeжiть її для пoдaльшoгo викoристaння** ③
- **Звeрнiть oсoбливy oвaгy нa прaвилa i пoпeрeджeння з тeхнiкi бeзпeки; iх нeдoтримaння мoжe призвeсти дo сeрйoзнoї трaвми**

ТЕХНIЧНI ДАНI ①

Макс. oбeртaльний мoмeнт при зaкрyчyвaннi в жoрсткi мaтeрiaли вiдпoвiднo дo ISO 5393: 250Nm

ЕЛЕМЕНТИ IНСТРУМЕНТА ②

- A** Сeлeктoр нaпрямкy oбeртaння (впeрeд/цeнтрaльний зaмoк/нaзaд)
- B** Вeнтилeйцiнi oтвoри
- C** Свiтлoдioдний iндикaтoр
- D** Квaдрaтний привiд
- E** Вимикaч для вкл/викл тa рeгулoвaння швидкoстi
- F** Кнoпкa свiтлoдioднoгo лiхтaрeя
- G** Кнoпкa рeжимy
- H** Iндикaтoр рiвнeя зaрядy aкyмyлeтoрa
- J** Мiсцe для збeрiгaння свeрдeл
- K** Зoнa фiксaцiї рeмiнцeя
- L** Клiпсa нa рeмiнь
- M** Aдaптeр*

*СТАНДАРТНО В КОМПЛЕКТ НЕ ВКЛЮЧАЄТЬСЯ

БЕЗПЕКА

ЗАГАЛЬНI ПОПЕРЕДЖЕННЯ ЩОДО ТЕХНIКИ БЕЗПЕКИ РОБОТИ З ЕЛЕКТРОIНСТРУМЕНТАМИ

⚠ ПОПЕРЕДЖЕННЯ. Прoчитaйтe всi пoпeрeджeння бeзпeки, iнструкцiї, iлюстрaцiї тa хaрaктeристичнi, нaдaнi з цим eлeктрoiнструмeнтoм. Нeдoтримaння нaвeдeних нижчe вкaзiвoк мoжe спричинити уражeння eлeктричним струмoм, пoжeжy тa/aбo сeрйoзнi трaвми.

Збeрiгaйтe всi пoпeрeджeння тa iнструкцiї для викoристaння в мaйбyтнoмy.

Тeрмин «eлeктрoiнструмeнт» у пoпeрeджeннях стoсуєтисe eлeктричним iнструмeнтoм, щo прaцyє вiд eлeктрoмeрeжi (чeрeз шнур) aбo вiд aкyмyлeтoрa (бeз шнурa).

1) БЕЗПЕКА В РОБОЧIЙ ЗОНI

- a) **Рoбoчe мiсцe мae бyти чистим i гaрнo oсвiтлeним.** Нeприбрaнa aбo пoгaнo oсвiтлeнa рoбoчa зoнa мoжe стaти причинoю нeщaснoгo випaдкy.
- b) **Нe прaцyйтe з iнструмeнтoм у вибухoнeбeзпeчнoмy сeрeдoвищi, нaпримкaд зa нeявнoстi лeгкoзaймистих рiдин, гaзiв aбo пилy.** Пiд чaс рoбoти eлeктрoприлaдy утвoрyютьсe iскри, вiд яких мoжyть зaйнятисe пил aбo випaри.
- c) **Дiтям i спoстeрiгaчaм зaбoрoнeнo пeрeбyвaти пoрyч з eлeктрoiнструмeнтoм, щo прaцyє.** Цe мoжe вiдвoлiкaти вaс i призвeсти дo втpати кoнтрoлю.

2) ЕЛЕКТРИЧНА БЕЗПЕКА

- a) **Штeпсeльнi вилки eлeктрoiнструмeнтa мaють пiдхoдити дo рoзeтoк. Зaбoрoнeнo мoдифiкyвaти вилкy бyдь-яким чинoм. Нe викoристoвуйтe жoднi пeрeхiдники для рoбoти iз зaзeмлeними eлeктрoiнструмeнтaми.** Викoристaння штeпсeлiв i рoзeтoк, y якi нe внoсилисe змiни, змeншyє ризик уражeння eлeктричним струмoм.
- b) **Уникaйтe кoнтaнту чaстин тiлa iз зaзeмлeними пoвeрхнями, тaкими як тpуби, бaтaрeї, плити й хoлoдильники.** У рaзi зaзeмлeння тiлa збiльшyєтисe ризик уражeння eлeктричним струмoм.
- c) **Бeрeжiть eлeктрoiнструмeнт вiд дoщy тa вoлoги.** Вoдa, щo пoтpaпилa в eлeктрoiнструмeнт, пiдвищyє ризик уражeння eлeктричним струмoм.
- d) **Пoвoдiтисe oбeрeжнo зi шнурoм живлeння. Нe викoристoвуйтe шнур живлeння для пeрeнeсeння чи пeрeтaгyвaння iнструмeнтa тa виймaння вилки з рoзeтки. Бeрeжiть шнур живлeння вiд джeрeл тeплa, мaстил, гoстрих крaїв тa рyхoмих чaстин.** Пoшкoджeнi aбo зaплутaнi шнyри живлeння пiдвищyють ризик уражeння eлeктричним струмoм.
- e) **Пiд чaс рoбoти з eлeктрoiнструмeнтoм нaдвoрi викoристoвуйтe пoдoвжyвaч, признaчeний для зoвнiшнiх рoбiт.** Викoристaння пoдoвжyвaчa, признaчeнoгo для зoвнiшнiх рoбiт, змeншyє ризик уражeння eлeктричним струмoм.
- f) **Якщo рoбoтa з eлeктрoiнструмeнтoм у вoлoгoмy сeрeдoвищi нe yникнyти, скoристaйтeся пристрoєм зaхиснoгo вимкнeння (ПЗВ).**

Використання ПЗВ зменшує ризик ураження електричним струмом.

3) ІНДИВІДУАЛЬНА ТЕХНІКА БЕЗПЕКИ

- a) Під час роботи з електроінструментом будьте уважними, слідуйте за своїми діями та мисліть розсудливо. Не працюйте з електроінструментом, якщо ви втомлені або перебуваєте під дією наркотичних речовин, алкоголю або ліків. Навіть миттєва втрата пильності під час роботи з електроінструментами може стати причиною важкої травми.
 - b) Використовуйте засоби особистого захисту. Завжди носіть засоби захисту очей. Використання у відповідних умовах таких захисних засобів, як протипиловий респіратор, неслизьке захисне взуття, шолом-каска і навушники допоможе зменшити ризик травмування.
 - c) Уникайте випадкового запуску інструмента. Перш ніж підключати електроінструмент до мережі живлення чи акумулятора, брати чи переносити його, перевірте, чи встановлено перемикач у положення «вимкнено». Якщо переносити електроінструмент, тримаючи палець на перемикачі живлення, або підключати його до джерела живлення, коли перемикач живлення перебуває в положенні «увімкнено», це може призвести до травмування.
 - d) Перш ніж вмикати електроінструмент, слід зняти всі регульовальні клінці або гайкові ключі. Якщо залишити такий ключ на рухомій частині електроінструмента, це може призвести до травмування.
 - e) Не дотягуйтеся. Завжди міцно стійте на ногах і втримуйте рівновагу. Це дає змогу краще керувати електроінструментом у разі виникнення непередбачуваних ситуацій.
 - f) Одягайтеся належним чином. Не носіть вільного одягу або прикрас. Стежте за тим, щоб волосся та одяг не потрапили на рухомі частини. Вільний одяг, прикраси або довге волосся можуть потрапити в рухомі частини.
 - g) Якщо пристрій обладнано системою видалення пилу, переконайтеся, що її правильно підключено і що ви використовуєте її належним чином. Використання пристрою для збирання пилу може зменшити небезпеку, пов'язану з пилом.
 - h) Не дозволяйте навичкам, отриманим після частого використання інструментів, змусити вас стати самовпевненими та ігнорувати принципи безпеки інструмента. Недбала дія може спричинити серйозну травму протягом долі секунди.
- ### 4) ВИКОРИСТАННЯ ТА ДОГЛЯД ЗА ЕЛЕКТРОІНСТРУМЕНТОМ
- a) Не застосовуйте силу до електроінструмента. Використовуйте належний електроінструмент відповідно до потреби. Правильно підібраний електроінструмент допоможе краще і безпечніше зробити роботу зі швидкістю, яка для неї передбачена.
 - b) Не використовуйте електроінструмент, якщо перемикач не вмикає або не вмикає його. Усі електроінструменти, якими неможливо керувати за допомогою перемикача, становлять небезпеку й

підлягають ремонту.

- c) Перш ніж проводити будь-які налаштування, замінювати акумулятори або перед зберіганням слід вимкнути штепсель із джерела живлення та/або вийняти з інструмента акумулятор, якщо він знімний. Такі запобіжні заходи техніки безпеки зменшують ризик випадкового запуску електроінструмента.
 - d) Зберігайте інструменти, що не використовуються, подалі від дітей і не дозволяйте особам, які не мають досвіду роботи з такими інструментами або не знайомі з цією інструкцією, користуватися електроінструментом. Електроінструменти становлять небезпеку в руках недосвідчених користувачів.
 - e) Доглядайте за електроінструментами та акумуляторами. Перевіряйте їх на предмет розладнання чи блокування рухомих частин, а також будь-яких обставин, які можуть вплинути на роботу електроінструмента. У разі пошкодження електроінструмент слід здати в ремонт, перш ніж користуватися ним. Часто нещасні випадки трапляються внаслідок неналежного технічного обслуговування електроінструментів.
 - f) Тримайте ріжучі інструменти гострими й чистими. Належним чином доглянуті ріжучі інструменти з гострими ріжучими краями рідше блокуються, і ними легше керувати;
 - g) Користуйтеся електроінструментом, акумулярами та насадками для інструмента згідно з цією інструкцією, зважаючи на робочі умови та роботу, яку слід виконати. Використання електроінструмента не за призначенням може стати причиною виникнення небезпечних ситуацій.
 - h) Підтримуйте руки в'язі та захватні поверхні сухими, чистими, без жиру і бруду. Слизькі руки та захватні поверхні не дають змоги безпечно тримати та керувати інструментом у непередбачених ситуаціях.
- ### 5) КОРИСТУВАННЯ І ДОГЛЯД ЗА АКУМУЛЯТОРНИМ ІНСТРУМЕНТОМ
- a) Заряджайте лише за допомогою зарядного пристрою, указаного виробником. Зарядний пристрій, який підходить для акумуляторів одного виду, може спричинити ризик пожежі у випадку його використання з іншим акумулятором.
 - b) З електроінструментами слід використовувати лише призначені для них акумуляторні батареї. Використання будь-яких інших акумуляторних батарей може призвести до травми або пожежі.
 - c) Коли батарея не використовується, її слід тримати окремо від металевих предметів – затискачів паперу, монет, ключів, цвяхів, шурупів та інших дрібних предметів, які можуть замкнути клемми. Коротке замикання клем акумулятора може стати причиною опіків чи пожежі.
 - d) У надто важких умовах експлуатації з акумулятора може витікати рідина; не доторкайтесь до неї. Якщо випадково ви все ж торкнулись її, слід промити це місце водою. Якщо рідина потрапила в очі, слід також

звернутися до лікаря. Рідина, яка виступає з акумулятора, може спричинити подразнення або опіки.

- e) **Не використовуйте акумуляторну батарею або інструмент, які пошкоджено або змінено.** Пошкоджені або змінені батареї можуть мати непередбачувану поведінку, що може спричинити пожежу, вибух або ризик травми.
 - f) **Не піддавайте акумуляторну батарею або інструмент дії вогню або високих температур.** Вогонь або температура вище 130°C може спричинити вибух.
 - g) **Дотримуйтесь усіх інструкцій щодо заряджання та не заряджайте акумуляторну батарею або інструмент за межами температурного діапазону, зазначеного в інструкціях.** Зарядження неналежним чином або при температурах за межами вказаного діапазону може пошкодити акумулятор і збільшити ризик виникнення пожежі.
- 6) СЕРВІС**
- a) **Обслуговування електроінструмента повинен виконувати кваліфікований ремонтник із використанням лише ідентичних запасних частин.** Це забезпечить нормальну роботу електроінструмента.
 - b) **Ніколи не ремонтуйте пошкоджені акумулятори.** Сервісне обслуговування акумуляторних батарей має виконувати лише виробник або авторизовані постачальники послуг.

ІНСТРУКЦІ З ТЕХНІКИ БЕЗПЕКИ ДЛЯ АКУМУЛЯТОРНОГО УДАРНОГО ГАЙКОВЕРТА

- **Під час работ, коли гвинт може зачепити заховану електропроводку, тримайте електроінструмент за ізольовані рукоятки** (зачеплення проводки, що перебуває під напругою, може заряджувати також і металеві частини електроінструмента та призводити до удару електричним струмом)

ЗАГАЛЬНЕ

- Пил від таких матеріалів, як фарба з вмістом свинцю, деякі породи дерева, мінерали й метал, може бути шкідливим (контакт із таким пилом або його вдихання може стати причиною виникнення у оператора або осіб, що перебувають поруч, алергійних реакцій і/або респіраторних захворювань); **надягайте респіратор і працюйте з пиловиділяючим пристроєм під час роботи з інструментом**
- Деякі види пилу класифікуються як канцерогенні (наприклад, дубовий або буковий пил), особливо в сполученні з добавками для кондиціювання деревини; **надягайте респіратор і працюйте з пиловиділяючим пристроєм під час роботи з інструментом**
- Дотримуйтесь інструкцій із роботи з матеріалами, що утворюють пил
- Не обробляйте матеріали, що містять асбест (асбест вважається канцерогенним)
- Переконайтесь що селектор напрямку обертання А² у середньому положенні (блокування) перед будь-якими налагодками чи замінами приладдя, тоді коли ви тримаєте або поклали інструмент

АНЕСУАРИ

- SKIL гарантує надійну роботу інструмента тільки за умови використання відповідного приладдя
- Використовуйте лише приладдя, припустима швидкість обертання якого як мінімум відповідає найвищій швидкості інструмента без навантаження

ПЕРЕД ВИКОРИСТАННЯМ

- Не допускайте пошкоджень, які можуть нанести шурпи, цвяхи і інші елементи вашому виробу; видаліть їх перед початком роботи
- **Зафіксуйте оброблювану деталь** (оброблювана деталь, зафіксована за допомогою затискних пристроїв або лещат, закріплюється краще, ніж вручну)
- **Використовуйте придатні пошукові прилади для знаходження захованих в будівлі труб та кабелів або зверніться за допомогою в місцеве підприємство електро-, газо- та водопостачання** (зачеплення електропроводки може призводити до пожежі та удару електричним струмом; зачеплення газової труби може призводити до вибуху; зачеплення водопровідної труби може завдати шкоду матеріальним цінностям або призводити до удару електричним струмом)

БАТАРЕЇ

- **Акумулятор, який постачається в комплекті, є частково зарядженим** (повністю зарядіть акумулятор у зарядному пристрої перед першим використанням свого електроінструмента, щоб забезпечити повну потужність акумулятора)
- **Використовуйте з інструментом тільки такі акумулятори і зарядні пристрої**
 - Акумулятор SKIL: BR1*31****
 - Зарядний пристрій SKIL: CR1*31****
- Не використовуйте пошкоджені акумулятор; негайно від'єднайте його від інструмента
- Не розбирайте акумулятор
- Виключіть можливість потрапляння дощу на інструмент або акумулятор
- Дозволена температура довкілля (інструмент/зарядний пристрій/акумулятор):
 - під час зарядження 4...40°C
 - під час роботи -20...+50°C
 - під час зберігання -20...+50°C

ПОЯСНЕННЯ ДО УМОВНИХ ПОЗНАЧЕНЬ НА ІНСТРУМЕНТІ/АКУМУЛЯТОРІ

- ③ Перед використанням прочитайте інструкцію із застосування
- ④ При влученні у вогонь батареї вибухають, тому в жодному разі не спалюйте батареї
- ⑤ Зберігайте інструмент/зарядний пристрій/акумулятор при температурі не більшій 50°C
- ⑥ Не викидайте електроінструмент і батареї разом зі звичайним сміттям

ВИКОРИСТАННЯ

- Заряджання акумулятора
 - ! **ознайомтеся з попередженнями і називними з техніки безпеки, які надаються із зарядним пристроєм**
- Зняття/установлення акумулятора ②
- Індикатор рівня заряду акумулятора ⑦
 - натисніть кнопку індикатора рівня заряду акумулятора H, щоб побачити поточний рівень

заряду 7а

! якщо після натискання кнопки Н7b починає блимати індикатор найнижчого рівня заряду акумулятора, то акумулятор розряджено

! коли 2 рівні індикатора заряду акумулятора починають блимати після натискання кнопки Н7с, акумулятор перебуває за межами допустимого діапазону робочих температур

• **Захист акумулятора**

Інструмент раптово вимикається або не вмикається, якщо

- навантаження занадто високе -> приборіть навантаження і перезапустіть

- температура акумулятора не перебуває в допустимому діапазоні робочих температур від -20 до +50°C -- > 2 рівні індикатора заряду акумулятора починають блимати під час натискання кнопки Н7с; зачекайте, доки акумулятор не повернеться в допустимий діапазон робочих температур

- батарею майже розряджено (для захисту від глибокого розряду) -> низький рівень заряду батареї або блимання низького рівня заряду батареї 7b показано індикатором рівня заряду батареї під час натискання кнопки Н; зарядіть акумулятор

! не продовжуйте роботу та не натискайте вмикач після автоматичного вимкнення інструмента; такими діями можна пошкодити акумулятор

• **Кріплення кліпси на ремінь 8**

- прикріпіть кліпсу для ременя L до гайковерта за допомогою гвинта, що додається.

• **Зміна напрямку обертання 9**

- при неповній установці положення лівий/правий пусковий вмикач Е2 не працює

! міняйте напрямок обертання тільки при повній зупинці інструмента

• **Комбінований перемикач для вмикання/вимкнення**

10 та керування обертаннями 11

- плавно керує обертаннями від нуля до максимальних в залежності від сили натискання на Е2

• **Світлодіодний індикатор 12**

- Світлодіодне підсвічування вмикається під час активації перемикача ввімкнення/вимкнення Е, натисканням кнопки світлодіодного підсвічування F або кнопки вибору режиму G.

- Натисніть кнопку світлодіодного підсвічування, щоб вибрати бажану яскравість:

Низька яскравість – вмикається прибіл. через 10 с після відпускання перемикача ввімкнення/вимкнення.

Висока яскравість – вмикається прибіл. через 600 с після відпускання перемикача ввімкнення/вимкнення.

! Коли світлодіод починає швидко блимати, активується захист акумулятора (див. вище)

• **Вибір режиму 13**

- натисніть кнопку режиму G, щоб вибрати потрібний режим:

Режим низької швидкості (індикатор «1»

світлиться зеленим) 13а

- для затягування з меншим крутним моментом і

низькою швидкістю

- для невеликих болтів і гвинтів

Режим середньої швидкості (індикатори «1» та «2» горять зеленим кольором) 13b

- затягування із середнім крутним моментом і швидкістю

- для гвинтів в умовах середнього навантаження
Високошвидкісний режим (індикатори «1», «2», «3» горять зеленим) 13с

- для затягування з великою силою і швидкістю - великих шурупів та болтів

Режим реверсу (індикатор «RM» горить зеленим) 13d

- для ослаблення болтів і гайок

- зупиняється, коли болт або гайку ослаблено

! режим керування доступний тільки при зворотному обертанні; при прямому обертанні він використовується для великої швидкості

! режими можуть бути змінені, тільки коли зелений світлодіод(и) активується) та коли інструмент повністю зупинено

• **Установлення та зняття насадок 14**

- щоб установити насадку, просто надягніть її на квадратний привід D

- для вилучення насадки просто зніміть її з квадратного приводу D

! використовуйте тільки 3/8" насадки з квадратним приводом 14а

! використовуйте адаптер M для насадок із квадратним приводом 1/2" 14b

! не використовуйте пошкоджені насадки

• **Утримування і робота інструментом 15**

! під час роботи завжди тримайте інструмент за області захвату сірого кольору

- тримайте вентиляційні отвори В2 закритими

- не тисніть на інструмент; дайте інструменту можливість працювати за вас

ПОРАДИ ПО ВИКОРИСТАННЮ

- Використовуйте відповідні насадки
- При вгвинчуванні шурупів у поперечний зріз дерева або біля нього або в кромку дерева необхідно спочатку просвердлити отвір, щоб запобігти розколу деревини
- Для оптимального вгвинчування необхідно створювати постійний тиск на інструмент, коли вигинчуєте тиснути треба сильніше
- Коли працюєте з особливо твердими породами дерев необхідно зробити попереднє просвердлювання
- Дивіться додаткову інформацію на сайті www.skil.com


ДОГЛЯД/ОБСЛУГОВУВАННЯ

- Цей інструмент не придатний для промислового використання
- Завжди тримайте інструмент у чистоті (особливо вентиляційні отвори В2)
- ! **виймайте акумулятор з інструмента перед очищенням**
- Якщо незважаючи на ретельну технологію виготовлення і перевірки інструмент все-таки вийде з ладу, його ремонт дозволяється виконувати лише в авторизованій сервісній майстерні для

електроприладів SKIL

- надішліть нерозібраний інструмент разом із доказом купівлі до свого дилера або до найближчого центру обслуговування SKIL (адреси, а також схема для обслуговування пристрою, подаються на сайті www.skil.com)
- Візьміть до відома, що ушкодження внаслідок перевантаження або неналежного поводження з інструментом не будуть включені в гарантію (умови гарантії SKIL див. на сайті www.skil.com або довідайтеся в дилера у вашому регіоні)

ΟΧΟΡΟΝΑ ΔΟΒΚΙΛΛΑ

- **Не викидайте електροінструмент, акумулятори, аксесуари та упановку разом зі звичайним сміттям** (тільки для країн ЄС)
- відповідно до європейської директиви 2012/19/ЄС щодо утилізації старих електричних та електронних приладів, згідно з місцевим законодавством, електροінструмент, який перебував в експлуатації, має бути утилізований окремо, безпечним для довкілля шляхом
- символ  нагадує вам про це, коли виникне необхідність в утилізації
- ! **перед тим як позбутися акумулятора: заклейте грубою клейкою стрічкою клемми, щоб запобігти короткому замиканню**

ШУМ / ΒΙΒΡΑЦΙΑ

- Рівень звукового тиску цього інструмента, який вимірюється відповідно до EN62841, становить 88 дБ(A), рівень звукової потужності 99 дБ(A) (похибка K = 3 дБ), а вібрація 9,1 m/c² (векторна сума трьох осей); похибка K = 1,5 m/c²)
- Рівень вібрації було виміряно згідно зі стандартизованим випробуванням, що міститься в EN62841; ця характеристика може використовуватися для порівняння одного інструмента з іншим, а також для попередньої оцінки впливу вібрації під час застосування інструмента для вказаних цілей
- у разі використання інструмента в інших цілях або з іншими/несправними допоміжними пристосуваннями рівень впливу вібрації може значно підвищуватися
- у періоди, коли інструмент вимкнений або функціонує без фактичного виконання роботи, рівень впливу вібрації може значно знизуватися
- ! **захищайте себе від впливу вібрації, підтримуючи інструмент і його допоміжні пристосування в справному стані, підтримуючи руки в теплі, а також правильно організовуючи свій робочий процес**


GR

Επαναφορτιζόμενο παλμικό 3265
κλειδί χωρίς ψήκτρες

ΕΙΣΑΓΩΓΗ

- Αυτό το εργαλείο προορίζεται για το βίδωμα και το

ξεβίδωμα βιδών και μπουλονιών

- Αυτό το εργαλείο δεν προορίζεται για επαγγελματική χρήση
- Όταν κάποια εξαρτήματα λείπουν ή έχουν φθορές, παρακαλούμε επικοινωνήστε με τον αντιπρόσωπό σας
- **Διαβάστε προσεκτικά τις οδηγίες πριν από τη χρήση και φυλάξτε τις για μελλοντική αναφορά** 
- **Δώστε ιδιαίτερη προσοχή στις οδηγίες ασφαλείας και στις προειδοποιήσεις - η μη τήρηση αυτών των οδηγιών και προειδοποιήσεων θα μπορούσε να προκαλέσει σοβαρούς τραυματισμούς**

ΤΕΧΝΙΚΑ ΧΑΡΑΚΤΗΡΙΣΤΙΚΑ

Μέγιστη ροπή στρέψης για σκληρή περίπτωση βιδώματος σύμφωνα με ISO 5393: 250Nm


ΜΕΡΗ ΤΟΥ ΕΡΓΑΛΕΙΟΥ

- A** Επιλογέας κατεύθυνσης περιστροφής (εμπρός / κεντρικό κλειδίωμα / ανάποδη)
- B** Σχισμές αερισμού
- C** Λυχνία LED
- D** Τετράγωνο τσοκ
- E** Διακόπτης εκκίνησης/στάσης και ελέγχου ταχύτητας
- F** Κουμπί λυχνίας LED
- G** Κουμπί τρόπου λειτουργίας
- H** Κουμπί ένδειξης στάθμης μπαταρίας
- J** Χώρος αποθήκευσης μτυών
- K** Περιοχή στερέωσης λουριού
- L** Κλιπ ζώνης
- M** Προσαρμογέας*

*ΔΕΝ ΠΕΡΙΛΑΜΒΑΝΕΤΑΙ ΣΤΗ ΣΤΑΝΤΑΡ ΣΥΣΚΕΥΑΣΙΑ

ΑΣΦΑΛΕΙΑ

ΓΕΝΙΚΕΣ ΠΡΟΕΙΔΟΠΟΙΗΣΕΙΣ ΑΣΦΑΛΕΙΑΣ ΓΙΑ ΗΛΕΚΤΡΙΚΑ ΕΡΓΑΛΕΙΑ

 **ΠΡΟΕΙΔΟΠΟΙΗΣΗ** Μελετήστε όλες τις προειδοποιήσεις ασφάλειας, τις οδηγίες, τις εικόνες και τις προδιαγραφές που συνοδεύουν αυτό το ηλεκτρικό εργαλείο. Εάν δεν τηρηθούν όλες οι οδηγίες που αναφέρονται παρακάτω, μπορεί να προκληθεί ηλεκτροπληξία, πυρκαγιά και/ή σοβαρός τραυματισμός.

Φυλάξτε όλες τις προειδοποιήσεις και τις οδηγίες για μελλοντική αναφορά.

Ο όρος «ηλεκτρικό εργαλείο» στις προειδοποιήσεις αναφέρεται στο ηλεκτρικό σας εργαλείο, το οποίο λειτουργεί είτε με σύνδεση σε πρίζα (ενσύρματα) είτε με μπαταρίες (ασύρματα).

1) ΑΣΦΑΛΕΙΑ ΣΤΟ ΧΩΡΟ ΕΡΓΑΣΙΑΣ

- Διατηρείτε το χώρο εργασίας καθαρό και καλά φωτισμένο.** Οι ακατάστατοι χώροι και οι χώροι με κακό φωτισμό ενισχύουν την πιθανότητα ατυχημάτων.
- Μη χρησιμοποιείτε ηλεκτρικά εργαλεία σε εκρηκτική ατμόσφαιρα, για παράδειγμα, παρουσία εύφλεκτων υγρών, αερίων ή σκόνης.** Τα ηλεκτρικά εργαλεία δημιουργούν σπινθήρες που μπορεί να αναφλέξουν τη σκόνη ή τις αναθυμιάσεις.
- Διατηρείτε τα παιδιά και τους παρευρισκόμενους μακριά, όταν χρησιμοποιείτε το ηλεκτρικό**

εργαλείο. Εάν κάτι αποσπάσει την προσοχή σας, μπορεί να χάσετε τον έλεγχο.

2) ΗΛΕΚΤΡΙΚΗ ΑΣΦΑΛΕΙΑ

- a) **Το φως του ηλεκτρικού εργαλείου πρέπει να ταιριάζει στην πρίζα. Μην τροποποιήσετε ποτέ και με κανέναν τρόπο το φως. Μην χρησιμοποιείτε κανενός είδους βύσματα προσαρμογών με γειωμένα ηλεκτρικά εργαλεία.** Τα μη τροποποιημένα φως και οι κατάλληλες πρίζες μειώνουν τον κίνδυνο ηλεκτροπληξίας.
 - b) **Αποφεύγετε την επαφή με γειωμένες επιφάνειες, όπως σωλήνες, θερμαντικά σώματα, εστίες και ψυγεία.** Υπάρχει αυξημένος κίνδυνος ηλεκτροπληξίας όταν το σώμα σας είναι γειωμένο.
 - c) **Μην εκθέτετε τα ηλεκτρικά εργαλεία σε βροχή ή υγρασία.** Εάν εισχωρήσει νερό στο ηλεκτρικό εργαλείο θα αυξηθεί ο κίνδυνος ηλεκτροπληξίας.
 - d) **Μην κακομεταχειρίζεστε το καλώδιο. Μην χρησιμοποιείτε ποτέ το καλώδιο για να μεταφέρετε, να τραβήξετε ή να αποσυνδέσετε το ηλεκτρικό εργαλείο από την πρίζα. Διατηρείτε το καλώδιο μακριά από θερμότητα, λάδια, αιχμηρές γωνίες ή κινούμενα εξαρτήματα.** Τα κατεστραμμένα ή μπλεγμένα καλώδια αυξάνουν τον κίνδυνο ηλεκτροπληξίας.
 - e) **Όταν χρησιμοποιείτε ένα ηλεκτρικό εργαλείο σε εξωτερικό χώρο, χρησιμοποιείτε καλώδιο πρόεκτασης κατάλληλο για χρήση σε εξωτερικό χώρο.** Τα καλώδια που είναι κατάλληλα για εξωτερικό χώρο περιορίζουν τον κίνδυνο ηλεκτροπληξίας.
 - f) **Εφόσον δεν μπορείτε να αποφύγετε τη χρήση του ηλεκτρικού εργαλείου σε περιοχή με υγρασία, χρησιμοποιήστε τροφοδοσία με διάταξη προστασίας ρεύματος διαρροής (RCD).** Η χρήση διάταξης RCD μειώνει τον κίνδυνο ηλεκτροπληξίας.
- ## 3) ΠΡΟΣΩΠΙΚΗ ΑΣΦΑΛΕΙΑ
- a) **Να βρίσκεστε πάντα σε εγρήγορση, να προσέχετε τι κάνετε και να εφαρμόζετε κοινή λογική όταν χρησιμοποιείτε ηλεκτρικά εργαλεία.** Μην χρησιμοποιείτε κανένα ηλεκτρικό εργαλείο όταν είστε κουρασμένοι ή υπό την επήρεια ναρκωτικών, αλκοόλ ή φαρμάκων. Όταν χρησιμοποιείτε ηλεκτρικά εργαλεία, μια στιγμή απροσεξίας μπορεί να προκαλέσει σοβαρό τραυματισμό.
 - b) **Χρησιμοποιείτε μέσα ατομικής προστασίας. Φοράτε πάντα προστατευτικά γυαλιά.** Η χρήση των κατάλληλων μέσων ατομικής προστασίας, όπως, μάσκα προστασίας από τη σκόνη, αντιολισθητικών παπουτσιών ασφαλείας, κράνους ή υτοασπίδων, μειώνει τον κίνδυνο τραυματισμών.
 - c) **Λαμβάνετε μέτρα για να μην ενεργοποιηθεί κατά λάθος το ηλεκτρικό εργαλείο. Βεβαιώνετε ότι ο διακόπτης βρίσκεται στη θέση απενεργοποίησης (OFF) προτού να συνδέσετε το ηλεκτρικό εργαλείο στο ρεύμα και/ή στη συστοιχία μπαταριών, ή όταν σηκώνετε ή μεταφέρετε το εργαλείο.** Μην μεταφέρετε το ηλεκτρικό εργαλείο με το δάκτυλο πάνω στο διακόπτη και μη συνδέετε το ηλεκτρικό εργαλείο στην παροχή ρεύματος με ενεργοποιημένο το διακόπτη, διότι αυξάνεται ο κίνδυνος ατυχήματος.
 - d) **Προτού να ενεργοποιήσετε το ηλεκτρικό**

εργαλείο, αφαιρέστε κάθε εργαλείο ρύθμισης ή κλειδί. Εάν το εργαλείο ρύθμισης ή το κλειδί παραμείνει συνδεδεμένο στο περιστρεφόμενο εξάρτημα του ηλεκτρικού εργαλείου, μπορεί να προκληθεί τραυματισμός.

- e) **Μην τεντώνετε υπερβολικά για να πραγματοποιήσετε την εργασία. Πατάτε πάντα σταθερά και διατηρείτε την ισορροπία σας.** Έτσι θα ελέγχετε καλύτερα το ηλεκτρικό εργαλείο σε περίπτωση απροσδόκων καταστάσεων.
 - f) **Φοράτε κατάλληλα ρούχα. Μην φοράτε φαρδιά ρούχα ή κοσμήματα. Διατηρείτε τα μαλλιά και τα ρούχα σας μακριά από κινούμενα μέρη.** Χαλαρά ρούχα, κοσμήματα ή μακριά μαλλιά μπορεί να πιαστούν στα κινούμενα μέρη.
 - g) **Εάν υπάρχει δυνατότητα σύνδεσης συσκευών απομακρυνσης και συλλογής της σκόνης, βεβαιωθείτε ότι αυτές οι συσκευές έχουν συνδεθεί και χρησιμοποιούνται σωστά.** Αυτές οι συσκευές μπορούν να περιορίσουν τους κίνδυνους που σχετίζονται με τη σκόνη.
 - h) **Ακόμα κι εάν χρησιμοποιείτε συχνά ηλεκτρικά εργαλεία, μην εφησυχάζετε και μην παραβλέπετε τους βασικούς κανόνες ασφαλείας.** Μια στιγμή απροσεξίας μπορεί να οδηγήσει σε σοβαρό τραυματισμό.
- ## 4) ΧΡΗΣΗ ΚΑΙ ΦΡΟΝΤΙΔΑ ΤΟΥ ΗΛΕΚΤΡΙΚΟΥ ΕΡΓΑΛΕΙΟΥ
- a) **Μην ζορίζετε το ηλεκτρικό εργαλείο. Χρησιμοποιήστε το κατάλληλο ηλεκτρικό εργαλείο για την εκάστοτε εργασία.** Η εργασία θα πραγματοποιηθεί καλύτερα και ασφαλέστερα εάν χρησιμοποιηθεί το κατάλληλο ηλεκτρικό εργαλείο και στην ταχύτητα για την οποία έχει σχεδιαστεί.
 - b) **Μην χρησιμοποιήσετε το ηλεκτρικό εργαλείο εάν δεν μπορείτε να το ενεργοποιήσετε και να το απενεργοποιήσετε από τον διακόπτη.** Κάθε ηλεκτρικό εργαλείο που δεν ελέγχεται από το διακόπτη είναι επικίνδυνο και απαιτεί επισκευή.
 - c) **Αποσυνδέστε το φως από την πηγή ρεύματος και/ή αφαιρέστε τη συστοιχία μπαταριών, εφόσον είναι αποσπώμενη, από το ηλεκτρικό εργαλείο προτού να κάνετε οποιαδήποτε ρύθμιση, να αλλάξετε εξαρτήματα ή να αποθηκεύσετε το ηλεκτρικό εργαλείο.** Έτσι περιορίζεται ο κίνδυνος να ενεργοποιηθεί κατά λάθος το ηλεκτρικό εργαλείο.
 - d) **Αποθηκεύετε τα ηλεκτρικά εργαλεία που δεν χρησιμοποιείτε σε μέρος όπου δεν πλησιάζουν παιδιά και μην αφήνετε να χρησιμοποιηθούν από άτομα που δεν είναι εξοικειωμένα με αυτά ή με τις οδηγίες τους.** Τα ηλεκτρικά εργαλεία είναι επικίνδυνα στα χέρια ατόμων που δεν έχουν εκπαιδευτεί στη χρήση τους.
 - e) **Συντηρείτε σωστά τα ηλεκτρικά εργαλεία και τα βοηθητικά τους εξαρτήματα.** Ελέγχετε για κακή ευθυγράμμιση ή εμπλοκή των κινούμενων εξαρτημάτων, για σπασμένα εξαρτήματα και για κάθε άλλη κατάσταση που μπορεί να επηρεάσει τη λειτουργία του ηλεκτρικού εργαλείου. Εάν έχει υποστεί ζημιά το ηλεκτρικό εργαλείο, επισκευάστε το προτού να το χρησιμοποιήσετε. Πολλά ατυχήματα οφείλονται σε πλημμελώς συντηρημένα ηλεκτρικά εργαλεία.

- f) **Διατηρείτε τα κοπτικά εξαρτήματα αιχμηρά και καθαρά.** Τα κοπτικά εργαλεία που έχουν συντηρηθεί σωστά και διαθέτουν αιχμηρές κόψεις είναι λιγότερο πιθανό να μπλοκάρουν, ενώ είναι ευκολότερα στο χειρισμό.
- g) **Χρησιμοποιείτε το ηλεκτρικό εργαλείο, τα εξαρτήματα, τις μύτες, κτλ., σύμφωνα με αυτές τις οδηγίες, λαμβάνοντας υπόψη τις συνθήκες εργασίας και την προς εκτέλεση εργασία.** Η χρήση ενός ηλεκτρικού εργαλείου για λειτουργίες διαφορετικές από αυτές για τις οποίες προορίζεται μπορεί να οδηγήσει σε επικίνδυνες καταστάσεις.
- h) **Διατηρείτε τις λαβές και τις επιφάνειες συγκράτησης του εργαλείου στεγνές και καθαρές, χωρίς λάδια και γράσα.** Εάν γλιστρούν οι λαβές και οι επιφάνειες συγκράτησης δε θα μπορέσετε να χειριστείτε με ασφάλεια το εργαλείο, ούτε θα μπορέσετε να το ελέγξετε σε περίπτωση που προκύψει κάποια απροσδόκητη κατάσταση.
- 5) **ΧΡΗΣΗ ΚΑΙ ΦΡΟΝΤΙΔΑ ΤΟΥ ΗΛΕΚΤΡΙΚΟΥ ΕΡΓΑΛΕΙΟΥ ΜΠΑΤΑΡΙΑΣ**
- a) **Επαναφορτίζετε το ηλεκτρικό εργαλείο μόνο με το φορτιστή που ορίζεται από τον κατασκευαστή.** Οι φορτιστές που είναι κατάλληλοι για κάποιο συγκεκριμένο τύπο συστοιχίας μπαταριών μπορεί να προκαλέσουν πυρκαγιά εάν χρησιμοποιηθούν με άλλον τύπο.
- b) **Χρησιμοποιείτε το ηλεκτρικό εργαλείο μόνο με τη συγκεκριμένη συστοιχία μπαταριών που προορίζεται για αυτό.** Εάν χρησιμοποιηθεί οποιαδήποτε άλλη συστοιχία μπαταριών, μπορεί να προκληθεί τραυματισμός και πυρκαγιά.
- c) **Όταν η συστοιχία μπαταριών δε χρησιμοποιείται, φυλάσσετε τη μακριά από μεταλλικά αντικείμενα, όπως, συνδετήρες, κέρματα, κλειδιά, καρφιά, βίδες ή άλλα μικρά μεταλλικά αντικείμενα, τα οποία μπορεί να δημιουργήσουν σύνδεση μεταξύ των ακροδεκτών.** Το βραχυκύκλωμα των ακροδεκτών της συστοιχίας μπαταριών μεταξύ τους ενδέχεται να προκαλέσει εγκαυματα ή πυρκαγιά.
- d) **Σε συνθήκες κακής χρήσης, μπορεί να διαρρέυσει υγρό από τη συστοιχία μπαταριών. Αποφύγετε την επαφή με αυτό. Σε περίπτωση τυχαίας επαφής, ξεπλύνετε καλά με νερό. Εάν το υγρό έρθει σε επαφή με τα μάτια, αναζητήστε επιπλέον ιατρική βοήθεια.** Το υγρό που διαρρέει από τη συστοιχία μπαταριών μπορεί να προκαλέσει ερεθισμό ή εγκαυματα.
- e) **Μη χρησιμοποιείτε τη συστοιχία μπαταριών ή το ηλεκτρικό εργαλείο εάν έχουν υποστεί ζημιά ή υποβληθεί σε τροποποίηση.** Οι συστοιχίες μπαταριών που έχουν υποστεί ζημιά ή τροποποιηθεί μπορεί να έχουν απρόβλεπτη συμπεριφορά και να προκληθεί πυρκαγιά, έκρηξη ή τραυματισμός.
- f) **Η συστοιχία μπαταριών και το εργαλείο δεν πρέπει να εκτίθενται σε φωτιά ή υπερβολικά υψηλή θερμοκρασία.** Η έκθεση σε φωτιά ή θερμοκρασία πάνω από 130 °C μπορεί να προκαλέσει έκρηξη.
- g) **Τηρείτε όλες τις οδηγίες σχετικά με τη φόρτιση και μη φορτίζετε τη συστοιχία μπαταριών ή το ηλεκτρικό εργαλείο εκτός του εύρους θερμοκρασίας που αναφέρεται στις οδηγίες.**

Εάν η φόρτιση δε γίνει σωστά ή πραγματοποιηθεί σε θερμοκρασία εκτός του καθορισμένου εύρους, η συστοιχία μπαταριών μπορεί να υποστεί ζημιά και να αυξηθεί ο κίνδυνος πυρκαγιάς.

6) ΣΕΡΒΙΣ

- a) **Το ηλεκτρικό εργαλείο πρέπει να επισκευάζεται μόνο από πιστοποιημένο επαγγελματία, χρησιμοποιώντας μόνο παρομοιότητα ανταλλακτικά.** Με αυτόν τον τρόπο διασφαλίζεται η ασφαλής λειτουργία του ηλεκτρικού εργαλείου.
- b) **Μην επιχειρήσετε ποτέ να επισκευάσετε συστοιχία μπαταριών που έχει υποστεί ζημιά.** Η συστοιχία μπαταριών πρέπει να επισκευάζεται μόνο από τον κατασκευαστή ή από εξουσιοδοτημένα κέντρα σέρβις.

ΟΔΗΓΙΕΣ ΑΣΦΑΛΕΙΑΣ ΓΙΑ ΠΑΛΜΙΚΟ ΚΛΕΙΔΙ ΜΠΑΤΑΡΙΑΣ

- Κρατάτε το ηλεκτρικό εργαλείο από τις μονωμένες επιφάνειες λαβής κατά την εκτέλεση εργασιών, όπου το μάνδαλο μπορεί να έρθει σε επαφή με κρυφή καλωδίωση (η επαφή του μάνδαλου με ένα ηλεκτροφόρο καλώδιο μπορεί να καταστήσει ηλεκτροφόρα τα εκτεθειμένα μεταλλικά μέρη του ηλεκτρικού εργαλείου, προκαλώντας ηλεκτροπληξία στον χειριστή)

ΓΕΝΙΚΑ

- Η σκόνη από υλικά, όπως μογιές που περιέχουν μόλυβδο, ορισμένα είδη ξύλου, ανόργανα στοιχεία και μέταλλα μπορεί να είναι επιβλαβή (η επαφή ή η εισπνοή της σκόνης μπορεί να προκαλέσει αλλεργικές αντιδράσεις ή/και αναπνευστικές ασθένειες στο χειριστή ή σε παριστάμενους). **Φοράτε μάσκα προστασίας από τη σκόνη και χρησιμοποιείτε συσκευή αναρρόφησης σκόνης, εφόσον επιδέχεται σύνδεση**
- Ορισμένα είδη σκόνης ταξινομούνται ως καρκινογόνα (όπως σκόνη από δρυ ή οξεία) ιδιαίτερα σε συνδυασμό με πρόσθετα συντήρησης ξύλου. **Φοράτε μάσκα προστασίας από τη σκόνη και χρησιμοποιείτε συσκευή αναρρόφησης σκόνης, εφόσον επιδέχεται σύνδεση**
- Ακολουθήστε τις σχετικές με σκόνη εθνικές διατάξεις για τα υλικά που θέλετε να εργασείτε
- Μην κατεργάζεστε υλικά που περιέχουν αμιάντο (ο αμιάντος θεωρείται καρκινογόνος)
- Βεβαιωθείτε ότι ο επιμοχός κατεύθυνσης περιστροφής A② βρίσκεται στη μεσοία θέση (κλειδωμένο), προτού πραγματοποιήσετε κάποια εργασία ρύθμισης στο εργαλείο ή αλλάξετε εξάρτημα, όπως και όταν μεταφέρετε ή αποθηκεύετε το εργαλείο

ΕΞΑΡΤΗΜΑΤΑ

- Η SKIL εγγυάται την απρόσκοπτη λειτουργία του εργαλείου μόνο εφόσον χρησιμοποιούνται αυθεντικά εξαρτήματα.
- Χρησιμοποιείτε μόνο εξαρτήματα με επιτρεπόμενη ταχύτητα που να είναι τουλάχιστον όσο η μέγιστη ταχύτητα χωρίς φορτίο του εργαλείου

ΠΡΙΝ ΑΠΟ ΤΗ ΧΡΗΣΗ

- Προφύλαξε το εργαλείο από τυχόν φθορές από ξένα σώματα (βίδες, καρφιά ή άλλα) που ίσως είναι μέσα στο κομμάτι που θα δουλέψετε - αφαιρέστε τα πριν αρχίσετε την εργασία

- **Στερεώστε το κομμάτι εργασίας** (το κομμάτι εργασίας συγκρατείται καλύτερα με σφιγκτήρες ή σε μέγγενη παρά με το χέρι)
- **Χρησιμοποιείτε κατάλληλες συσκευές ανίχνευσης για να εντοπίσετε κρυφές γραμμές ρεύματος, αερίου ή νερού ή συμβουλευτείτε σχετικά τις αντίστοιχες επιχειρήσεις κοινής ωφελείας** (η επαφή με καλώδια ρεύματος μπορεί να οδηγήσει σε πυρκαγιά ή ηλεκτροπληξία, οι ζημιές σε αγωγούς αερίου μπορεί να οδηγήσουν σε έκρηξη, ενώ η διάτρηση ενός σωλήνα νερού θα προκαλέσει υλικές ζημιές ή ηλεκτροπληξία)

ΜΠΑΤΑΡΙΕΣ

- **Η παρεχόμενη μπαταρία είναι μερικώς φορτισμένη** (για να εξασφαλιστεί ότι η μπαταρία αποκτά τη μέγιστη απόδοση, να φορτίζετε τελείως τη μπαταρία με τον φορτιστή της πριν από τη χρήση του ηλεκτρικού εργαλείου σας για πρώτη φορά)
- **Να χρησιμοποιείτε μόνο τις μπαταρίες και τους φορτιστές που παραδίδονται με το εργαλείο**
 - Μπαταρία SKIL: BR1*31****
 - Φορτιστής SKIL: CR1*31****
- Μην χρησιμοποιείτε την μπαταρία όταν έχει υποστεί ζημιά και αντικαθιστάτε την αμέσως
- Μην συναρμολογείτε τη μπαταρία
- Μην εκθέτετε το εργαλείο/την μπαταρία στη βροχή
- Επιτρεπτή θερμοκρασία περιβάλλοντος (εργαλείο/φορτιστή/μπαταρία):
 - κατά τη φόρτιση 4...40°C
 - κατά τη λειτουργία -20...+50°C
 - κατά την αποθήκευση -20...+50°C

ΕΠΕΞΗΓΗΣΗ ΤΩΝ ΣΥΜΒΟΛΩΝ ΣΤΟ ΕΡΓΑΛΕΙΟ/ΜΠΑΤΑΡΙΑ

- ③ Διαβάστε το εγχειρίδιο οδηγιών πριν από τη χρήση
- ④ Οι μπαταρίες θα εκραγούν εάν γίνει απόρριψή τους σε φωτιά, γι' αυτό μην καίτε τις μπαταρίες για οποιοδήποτε λόγο
- ⑤ Να αποθηκεύετε το εργαλείο/τον φορτιστή/την μπαταρία σε μέρη όπου η θερμοκρασία δεν θα ξεπεράσει τους 50°C
- ⑥ Μην πετάτε τα ηλεκτρικά εργαλεία και μπαταρίες στον κάδο οικιακών απορριμμάτων

ΧΡΗΣΗ

- Φόρτιση της μπαταρίας
! διαβάστε τις προειδοποιήσεις ασφαλείας και τις οδηγίες που παρέχονται με το φορτιστή
- Αφαίρεση/εγκατάσταση της μπαταρίας ②
- Ένδειξη κατάστασης μπαταρίας ⑦
 - πιάστε το κουμπί ένδειξης στάθμης μπαταρίας Η για να εμφανίσετε την τρέχουσα στάθμη φόρτισης της μπαταρίας ⑦a
 - ! εάν αρχίσει να αναβοσβήνει το κατώτατο επίπεδο στάθμης μπαταρίας μετά το πάτημα του κουμπιού Η ⑦b, τότε η μπαταρία είναι άδεια**
 - ! εάν αρχίσουν να αναβοσβήνουν 2 επίπεδα της ένδειξης στάθμης μπαταρίας μετά το πάτημα του κουμπιού Η ⑦c, τότε η μπαταρία δε βρίσκεται εντός του επιτρεπόμενου εύρους θερμοκρασίας λειτουργίας**
- Προστασία της μπαταρίας
Το εργαλείο σβήνει αιφνίδια ή δεν είναι δυνατό να άναμμα του όταν
 - **το φορτίο είναι πολύ υψηλό** --> αφαιρέστε φορτίο

και επανεκκινήστε

- **η θερμοκρασία της μπαταρίας δεν βρίσκεται εντός του επιτρεπόμενου εύρους θερμοκρασίας λειτουργίας -20 έως +50°C** --> 2 επίπεδα της ένδειξης στάθμης μπαταρίας αρχίζουν να αναβοσβήνουν με το πάτημα του κουμπιού Η ⑦c. Περιμένετε ώσπου η μπαταρία να επανέλθει εντός του επιτρεπόμενου εύρους θερμοκρασίας λειτουργίας
- **η μπαταρία έχει σχεδόν αδειάσει (για προστασία έναντι βαθείας εκφόρτισης)** --> ανάβει ή αναβοσβήνει η χαμηλή στάθμη μπαταρίας ⑦b δίπλα στην ένδειξη στάθμης μπαταρίας κατά το πάτημα του κουμπιού Η. Φορτίστε την μπαταρία
! μην συνεχίσετε να πατάτε το διακόπτη ενεργοποίησης/απενεργοποίησης μετά την αυτόματη απενεργοποίηση του εργαλείου - μπορεί να προκληθεί βλάβη στη μπαταρία
- Προσάρτηση του κλιπ ζώνης ⑧
 - προσαρτήστε το κλιπ ζώνης L στο κλειδί με την παρεχόμενη βίδα
- Αλλαγή κατεύθυνσης περιστροφής ⑨
 - εάν δεν έχει ρυθμιστεί σωστά στην αριστερή/δεξιά θέση, ο διακόπτης E ② δεν μπορεί να ενεργοποιηθεί
! αλλάξτε την κατεύθυνση περιστροφής μόνο όταν το εργαλείο έχει σταματήσει τελείως
- Συνδυασμένος διακόπτης για ενεργοποίηση/απενεργοποίηση ⑩ και έλεγχο ταχύτητας ⑪
 - ρυθμίστε την ταχύτητα αβαθμίδωτα από μηδέν στο μέγιστο, πιέζοντας περισσότερο ή λιγότερο το E ②
- Λυχνία LED ⑫
 - Η λυχνία LED ανάβει όταν ενεργοποιείται ο διακόπτης ενεργοποίησης/απενεργοποίησης E ή πατώντας το κουμπί λυχνίας LED F ή το κουμπί τρόπου λειτουργίας G
 - Πατήστε το κουμπί λυχνίας LED για να επιλέξετε την επιθυμητή φωτεινότητα:
Χαμηλή φωτεινότητα - σβήνει περίπου 10 δευτερόλεπτα μετά την αποδέσμευση του διακόπτη ενεργοποίησης/απενεργοποίησης
Υψηλή φωτεινότητα - σβήνει περίπου 600 δευτερόλεπτα μετά την αποδέσμευση του διακόπτη ενεργοποίησης/απενεργοποίησης
! Όταν η λυχνία LED αρχίζει να αναβοσβήνει γρήγορα, ενεργοποιείται η προστασία της μπαταρίας (βλ. παραπάνω)
- Επιλογή τρόπου λειτουργίας ⑬
 - πατήστε το κουμπί τρόπου λειτουργίας G για να επιλέξετε τον επιθυμητό τρόπο λειτουργίας:
Λειτουργία χαμηλής ταχύτητας (η λυχνία «1» ανάβει πράσινη) ⑬a
 - σύσφιξη με μικρότερη ροπή και χαμηλή ταχύτητα
 - για μικρά μπουλόνια και βίδες
 - Λειτουργία μεσαίας ταχύτητας (οι λυχνίες «1&2» ανάβουν πράσινες) ⑬b**
 - συσφίξτε με μεσαία ροπή και ταχύτητα
 - για βίδες σε εφαρμογή μεσαίας δυσκολίας
 - Λειτουργία υψηλής ταχύτητας (οι λυχνίες «1&2&3» ανάβουν πράσινες) ⑬c**
 - σύσφιξη με υψηλή δύναμη και ταχύτητα
 - για μεγάλες βίδες και μπουλόνια
 - Λειτουργία ελέγχου απόδοσης περιστροφής (η λυχνία «RM» ανάβει πράσινη) ⑬d**
 - για το λασκάρισμα βιδών και μπουλονιών
 - σταματά όταν λασκάρει το μπουλόνι ή η βίδα

στην ανάποδη περιστροφή. Στην προς τα εμπρός περιστροφή χρησιμοποιείται για υψηλή ταχύτητα

! οι λειτουργίες μπορούν να αλλάξουν μόνο όταν ανάβουν οι πράσινες λυχνίες LED και όταν το εργαλείο είναι τελείως σταματημένο

- Εγκατάσταση και αφαίρεση καρυδακίων (14)
 - για να τοποθετήσετε ένα καρυδάκι, απλά σπρώξτε το πάνω στο τετράγωνο τσοκ D
 - για να αφαιρέσετε ένα καρυδάκι, απλά τραβήξτε το από το τετράγωνο τσοκ D
- ! χρησιμοποιείτε μόνο καρυδάκια με καρέ 3/8" (14a)**
- ! χρησιμοποιείτε τον προσαρμογέα M για καρυδάκια με καρέ 1/2" (14b)**
- ! μη χρησιμοποιείτε φθαρμένα καρυδάκια**
- Πώς να κρατάτε και να οδηγείτε το εργαλείο (15)
 - ! ενώ εργάζεστε, κρατάτε πάντα το εργαλείο από τη γκρι επιφάνεια / τις γκρι επιφάνειες λαβής**
 - διατηρείτε ελεύθερες τις σχισμές αερισμού B (2)
 - μην ασκείτε υπέρμετρη πίεση στο εργαλείο - αφήστε το εργαλείο να δουλέψει για σας

ΟΔΗΓΙΕΣ ΕΦΑΡΜΟΓΗΣ

- Χρησιμοποιείτε κατάλληλες μύτες
- Όταν έχετε να βιδώσετε μία βίδα στη γωνία ή σε άκρα ξύλου θα πρέπει πρώτα να τρυπήσετε με τρυπάνι για να αποφύγετε το «σκάσιμο» του ξύλου
- Για άριστη χρήση του εργαλείου σας απαιτείται σταθερή πίεση επάνω στη βίδα, ειδικά όταν αφαιρείτε βίδες
- Όταν βιδώνετε σε σκληρό ξύλο πρέπει πρώτα να έχετε κάνει μία ανάλογη τρύπα
- Για περισσότερες πληροφορίες επισκεφθείτε τη σελίδα www.skil.com

ΣΥΝΤΗΡΗΣΗ / ΣΕΡΒΙΣ

- Αυτό το εργαλείο δεν προορίζεται για επαγγελματική χρήση
- Πάντα να διατηρείτε το εργαλείο καθαρό (ειδικά τις σχισμές αερισμού B (2))
 - ! Αφαιρείτε την μπαταρία από το εργαλείο πριν από τον καθαρισμό**
- Αν παρ' όλες τις επιμελημένες μεθόδους κατασκευής κι ελέγχου το εργαλείο σταματήσει κάποτε να λειτουργεί, τότε η επισκευή του πρέπει να ανατεθεί σ' ένα εξουσιοδοτημένο συνεργείο για ηλεκτρικά εργαλεία της SKIL
 - στείλετε το εργαλείο χωρίς να το αποσυρμαρολογήσετε μαζί με την απόδειξη αγοράς στο κατάστημα από το οποίο το αγοράσατε ή στον πλησιέστερο σταθμό τεχνικής εξυπηρέτησης της SKIL (θα βρείτε τις διευθύνσεις και το διάγραμμα συντήρησης του εργαλείου στην ιστοσελίδα www.skil.com)
 - Να γνωρίζετε ότι οι βλάβες που προκαλούνται λόγω υπερφόρτωσης ή ακατάλληλου χειρισμού του εργαλείου, δεν καλύπτονται από την εγγύηση (για τους όρους της εγγύησης της SKIL επισκεφθείτε τη διεύθυνση www.skil.com ή απευθυνθείτε στον πλησιέστερο αντιπρόσωπο)

ΠΕΡΙΒΑΛΛΟΝ

- **Μην πετάτε τα ηλεκτρικά εργαλεία, μπαταρίες,**

εξαρτήματα και συσκευασία στον κάδο οικιακών απορριμμάτων (μόνο για τις χώρες της ΕΕ)

- σύμφωνα με την ευρωπαϊκή οδηγία 2012/19/EK περί ηλεκτρικών και ηλεκτρονικών συσκευιών και την ενσωμάτωσή της στο εθνικό δίκαιο, τα ηλεκτρικά εργαλεία πρέπει να συλλέγονται ξεχωριστά και να επιστρέφονται για ανακύκλωση με τρόπο φιλικό προς το περιβάλλον
- το σύμβολο (6) θα σας το θυμίσει αυτό όταν έλθει η ώρα της απόρριψης
- ! προτού πετάξετε τις μπαταρίες καλύψτε τις επαφές τους με μονωτική ταινία για να αποφύγετε τυχόν βραχυκυκλώματα**

ΘΟΡΥΒΟΣ / ΚΡΑΔΑΣΜΟΣ

- Βάσει της μέτρησης σύμφωνα με το πρότυπο EN62841, η στάθμη ηχητικής πίεσης αυτού του εργαλείου είναι 88 dB(A) και η στάθμη ηχητικής ισχύος 99 dB(A) (αβεβαιότητα K = 3 dB), και ο κραδασμός 9,1 m/s² (τριαξονικό διανυσματικό άθροισμα, αβεβαιότητα K = 1,5 m/s²)
- Το επίπεδο παραγωγής κραδασμών έχει μετρηθεί σύμφωνα με μια τυποποιημένη δοκιμή που αναφέρεται στο πρότυπο EN62841. Μπορεί να χρησιμοποιηθεί για τη σύγκριση ενός εργαλείου με ένα άλλο, καθώς και ως προκαταρκτική αξιολόγηση της έκθεσης στους κραδασμούς όταν το εργαλείο χρησιμοποιείται για τις εφαρμογές που αναφέρονται
 - η χρήση του εργαλείου για διαφορετικές εφαρμογές ή με διαφορετικά ή κακοσυντηρημένα εξαρτήματα μπορεί να αυξήσει σημαντικά το επίπεδο έκθεσης
 - όταν το εργαλείο είναι απενεργοποιημένο ή όταν είναι ενεργοποιημένο αλλά δεν εκτελεί την εργασία, το επίπεδο έκθεσης μπορεί να μειωθεί σημαντικά
- ! προστατευτείτε από τις επιδράσεις των κραδασμών συντηρώντας σωστά το εργαλείο και τα εξαρτήματά του, διατηρώντας τα χέρια σας ζεστά και οργανώνοντας τον τρόπο εργασίας σας**

RO

Cheie cu impact fără perii și fără fir

3265

INTRODUCERE

- Acest instrument este destinat înșurubării și deșurubării șuruburilor și bolțurilor
- Această sculă nu este destinată utilizării profesionale
- În cazul în care lipsesc piese sau acestea sunt deteriorate, contactați distribuitorul
- **Citiți cu atenție acest manual de instrucțiuni înainte de utilizare și păstrați-l pentru consultare ulterioară (3)**
- **Acordați o atenție specială instrucțiunilor de securitate și avertizare; neglijarea acestora poate duce la vătămări grave**

DATE TEHNICE (1)

Moment de torsiune maxim, înșurubare dură conform ISO 5393: 250Nm

ELEMENTELE SCULEI ②

- A Selector direcție de rotație (înainte/ centru-blocare/invers)
- B Fantele de ventilație
- C Lampă LED
- D Șurubelniță pătrată
- E Întrerupător deschis/închis și controlul vitezei
- F Buton luminos cu LED
- G Buton de mod
- H Buton indicator al nivelului bateriei
- J Zona de depozitare a biților
- K Zona de fixare a curelei
- L Clemă pentru curea
- M Adaptor*

*NU ESTE INCLUS ÎN VERSIUNEA STANDARD

SIGURANȚA

INSTRUCȚIUNI GENERALE DE SIGURANȚĂ PENTRU SCULE ELECTRICE

AVERTISMENT Citiți toate instrucțiunile, avertizările de siguranță, ilustrațiile și specificațiile livrate împreună cu această sculă electrică. Nerespectarea tuturor instrucțiunilor enumerate mai jos se poate solda cu șoc electric, incendiu și/sau vătămare corporală gravă.

Păstrați toate avertizările și instrucțiunile pentru consultare ulterioară.

Termenul „sculă electrică” din avertizări se referă la scula electrică (cu cablu) alimentată de la rețeaua electrică sau scula electrică (fără cablu de alimentare) care funcționează cu acumulator.

1) SIGURANȚA ZONEI DE LUCRU

- a) **Păstrați zona de lucru curată și bine iluminată.** Zonele dezordonate și întunecoase predispun la accidente.
- b) **Nu puneți în funcțiune sculele electrice în atmosfere explozive, cum ar fi în prezența lichidelor, gazelor sau a pulberilor inflamabile.** Sculele electrice creează scântei, care pot aprinde pulberile sau gazele.
- c) **Țineți copiii și persoanele prezente la distanță atunci când utilizați o sculă electrică.** Distragerea atenției vă poate face să pierdeți controlul.

2) SIGURANȚA ELECTRICĂ

- a) **Ștecherule sculelor electrice trebuie să corespundă cu prizele de rețea electrică. Nu modificați niciodată ștecherul în vreun fel. Nu utilizați adaptoare de priză cu scule electrice împământate.** Ștecherule nemodificate și prizele adecvate vor reduce riscul de electrocutare.
- b) **Evitați contactul corpului cu suprafețele legate la împământare, cum sunt țevile, caloriferele, mașinile de gătit și frigiderule.** Acest lucru reprezintă un risc sporit de electrocutare în cazul care corpul dumneavoastră este împământat.
- c) **Nu expuneți sculele electrice la ploaie sau condiții de umiditate.** Pătrunderea apei într-o sculă electrică va crește riscul de electrocutare.
- d) **Nu folosiți în mod abuziv cablul de alimentare. Nu utilizați niciodată cordonul de alimentare pentru**

a transporta, a trage sau a scoate din priză scula electrică. Țineți cablul de alimentare departe de căldură, ulei, margini tăioase sau piese în mișcare. Cablurile electrice deteriorate sau încălțite cresc riscul de electrocutare.

- e) **Când utilizați o sculă electrică în aer liber utilizați un cablu prelungitor adecvat pentru utilizarea în aer liber.** Utilizarea unui cablu adecvat pentru utilizare în aer liber reduce riscul de electrocutare.
 - f) **Dacă utilizarea unei scule electrice într-o zonă umedă este inevitabilă, utilizați o sursă de alimentare protejată cu un întrerupător de protecție la curent rezidual (DCR).** Utilizarea unui astfel de întrerupător reduce riscul de electrocutare.
- #### 3) SIGURANȚA PERSONALĂ
- a) **Păstrați-vă vigilența, urmăriți ceea ce faceți și apelați la bunul simț când utilizați o sculă electrică.** Nu utilizați o sculă electrică când sunteți obosit, sau sub influența medicamentelor, a alcoolului sau a medicației. Un moment de neatenție în timp ce utilizați sculele electrice se poate solda cu vătămări grave.
 - b) **Utilizați echipamente individuale de protecție. Purtați întotdeauna echipament de protecție oculară.** Echipamentele de protecție, cum ar fi masca de praf, încălțăminte antiderapantă, cască sau protecție auditivă utilizate pentru condiții adecvate vor reduce leziunile personale.
 - c) **Preveniți pornirea accidentală. Asigurați-vă că întrerupătorul este în poziția oprit înainte de a conecta scula la o sursă de alimentare și/sau set de acumulatori, înainte de a ridica sau transporta scula.** Transportul sculelor electrice cu degetul pe întrerupător sau cu alimentarea cu energie electrică pornită predisune la accidente.
 - d) **Îndepărtați orice cheie de reglare sau cheie fixă înainte de a porni scula electrică.** O cheie lăsată într-o piesă rotativă a sculei electrice poate duce la accidente.
 - e) **Nu încercați să ajungeți în locuri inaccesibile. Păstrați-vă stabilitatea și echilibrul în orice moment.** Astfel veți avea un control mai bun asupra sculei electrice în situații neașteptate.
 - f) **Îmbrăcați-vă corespunzător. Nu purtați haine largi sau bijuterii. Păstrați-vă părul și îmbrăcămintea departe de componentele în mișcare.** Îmbrăcămintea largă, bijuteriile sau părul lung pot fi prinse de piesele în mișcare.
 - g) **Dacă sunt furnizate dispozitive pentru conectarea sistemelor de extragere și colectare a prafului, asigurați-vă că acestea sunt conectate și utilizate corespunzător.** Utilizarea dispozitivelor de colectare a prafului poate reduce pericolele legate de praf.
 - h) **Nu permiteți ca familiaritatea dobândită în urma utilizării frecvente a sculelor să vă facă să neglijați sau să nesocotiți principiile de siguranță ale sculei.** O operație neglijentă poate cauza vătămări grave într-o fracțiune de secundă.
- #### 4) UTILIZAREA ȘI ÎNGRIJIREA SCULELOR ELECTRICE
- a) **Nu forțați scula electrică. Utilizați scula electrică corespunzătoare pentru aplicația dumneavoastră.** Scula electrică adecvată va face o treabă mai bună și mai sigură când este utilizată conform specificațiilor pentru care a fost concepută.
 - b) **Nu utilizați scula electrică dacă întrerupătorul**

- nu comută pe pozițiile pornit și oprit. Orice sculă electrică ce nu poate fi controlată de la întrerupător este periculoasă și trebuie reparată.
- c) **Deconectați ștecherul de la sursa de alimentare și / sau scoateți acumulatorul, dacă este detașabil, de la scula electrică înainte de a efectua ajustări, de a schimba accesoriile sau de a stoca sculele electrice.** Astfel de măsuri preventive reduc riscul de pornire accidentală a sculei electrice.
 - d) **Depozitați sculele electrice într-un loc inaccesibil copiilor și nu permiteți utilizarea sculei electrice de persoane nefamiliarizate cu aceasta sau cu aceste instrucțiuni.** Sculele electrice sunt periculoase în mâinile utilizatorilor neinstruiți.
 - e) **Întrețineți sculele electrice și accesoriile. Verificați dacă există abateri de la coaxialitate sau îndoiri ale pieselor în mișcare, deteriorări ale pieselor și orice altă situație care poate afecta funcționarea sculelor electrice.** În caz de deteriorare, reparați scula electrică înainte de utilizare. Multe accidente sunt cauzate de sculele electrice prost întreținute.
 - f) **Mențineți sculele de tăiere ascuțite și curate.** Sculele de tăiere întreținute corespunzător și cu muchii de tăiere ascuțite riscă mai puțin să se îndoie și sunt mai ușor de controlat.
 - g) **Utilizați scula electrică, accesoriile și cuțitele demontabile etc. în conformitate cu aceste instrucțiuni, ținând cont de condițiile de lucru și lucrarea de efectuat.** Utilizarea sculei electrice pentru operații diferite de cele intenționate s-ar putea solda cu o situație periculoasă.
 - h) **Mențineți mânerele și suprafețele de apucat uscate, curate și fără ulei și vaselină.** Mânerele și suprafețele de apucare alunecoase nu permit manevrarea în siguranță și controlul asupra sculei în situații neașteptate.
- 5) UTILIZAREA ȘI ÎNGRIJIREA ACUMULATORULUI**
- a) **Reîncărcați numai cu încărcătorul specificat de producător.** Un încărcător adecvat pentru un tip de set de acumulatori poate prezenta risc de incendiu dacă este utilizat cu alt set de acumulatori.
 - b) **Utilizați sculele electrice doar cu seturile de acumulatori special menționate.** Utilizarea oricărui alt set de acumulatori prezintă risc de accidente și incendiu.
 - c) **Când nu se utilizează setul de acumulatori, țineți-l departe de alte obiecte metalice precum clamele de hârtie, monedele, cheile, cuiele, șuruburile sau alte obiecte metalice mici care pot realiza o conexiune între borne.** Scurtcircuitarea bornelor acumulatorului poate produce arsuri sau un incendiu.
 - d) **În condiții abuzive se poate scurge lichid din acumulator; evitați contactul. Dacă are loc contactul accidental, clătiți cu apă. Dacă lichidul intră în contact cu ochii, efectuați suplimentar un consult medical.** Lichidul scurs din acumulator poate produce iritări sau arsuri.
 - e) **Nu utilizați un set de acumulatori sau o sculă deteriorată sau modificată.** Acumulatorii deteriorați sau modificați pot prezenta comportament imprevizibil, care poate duce la incendiu, explozie sau risc de vătămare.
 - f) **Nu expuneți setul de acumulatori la foc sau la temperaturi excesive.** Expunerea la foc sau la temperaturi de peste 130°C poate provoca explozie.
 - g) **Respectați toate instrucțiunile de încărcare și**

nu încărcați acumulatorul sau scula în afara intervalului de temperatură specificat în instrucțiuni. Încărcarea necorespunzătoare sau la temperaturi în afara domeniului specificat poate duce la deteriorarea acumulatorului și la creșterea riscului de incendiu.

6) SERVICE

- a) **Apelați numai la o persoană calificată pentru a vă repara scula electrică utilizând numai piese de schimb identice.** Astfel se asigură menținerea nivelului de siguranță al sculei electrice.
- b) **Nu efectuați niciodată operații de service asupra seturilor de acumulatori deteriorați.** Depanarea acumulatorilor trebuie să fie efectuată numai de producător sau de prestatorii autorizați de servicii.

INSTRUCȚIUNI DE SIGURANȚĂ PENTRU CHEI CU IMPACT CU ACUMULATORI CHEIE

- **Țineți scula electrică de mânerile izolate atunci când executați operații în cursul cărora dispozitivul de fixare poate atinge fire electrice ascuse** (contactul cu un cablu aflat sub tensiune poate electrica componentele metalice ale sculei electrice, existând riscul unui șoc electric pentru operator)

GENERALITĂȚI

- Praful rezultat din materiale precum vopseaua care conține plumb, unele specii de lemn, minerale și metale poate fi periculos (contactul cu praful sau inhalarea acestuia poate provoca reacții alergice și/sau afecțiuni respiratorii operatorului sau persoanelor care stau în apropiere); **purtați o mască de praf și lucrați cu un dispozitiv de extragere a prafului când poate fi conectat**
- Anumite tipuri de praf sunt clasificate ca fiind cancerigene (cum ar fi praful de stejar și fag) în special în combinație cu aditivi pentru tratarea lemnului; **purtați o mască de praf și lucrați cu un dispozitiv de extragere a prafului când poate fi conectat**
- Respectați reglementările naționale referitoare la aspirația prafului în funcție de materialele de lucru folosite
- Nu prelucrați materiale care conțin azbest (azbestul este considerat a fi cancerigen)
- Asigurați-vă că comutator pentru direcția de rotație A⁽²⁾ este în poziția din mijloc (poziția de blocaj) înainte de a executa reglaje ale sculei electrice sau de a înlocui accesoriile precum și în cazul de transport sau depozitare a sculei electrice

ACCESORII

- SKIL garantează funcționarea perfectă a aparatului numai dacă sunt folosite accesoriile originale
- Folosiți numai accesoriile a căror durație admisă este cel puțin egală cu durația maximă la mers în gol a aparatului

ÎNAINTEA UTILIZĂRII

- Evitați daunele provocate de șuruburi, țiște și alte elemente din timpul lucrului; înlăturați aceste elemente înainte de a trece la acțiune
- **Scurtați piesa de lucru** (o piesă de lucru fixată cu clame sau într-o menghină este ținută mult mai în siguranță decât manual)
- **Folosiți detectoare adecvate pentru depistarea conductelor și conductorilor de alimentare sau apelați în acest scop la întreprinderea locală de furnizare a utilităților** (contactul cu conductorii electriici poate provoca incendii sau electrocutare; deteriorarea

unei conducte de gaz poate duce la explozii; spargerea unei conducte de apă provoacă pagube materiale sau poate provoca electrocutare)

ACUMULATORII

- **Bateria furnizată este parțial încărcată** (pentru a asigura o capacitate maximă a bateriei, încărcați-o complet utilizând încărcătorul acesteia înainte de a utiliza unealta electrică pentru prima dată)
- **Utilizați numai următoarele baterii și încărcătoare cu această sculă**
 - Baterie SKIL: BR1*31****
 - Încărcător SKIL: CR1*31****
- Nu folosiți bateria dacă aceasta este avariată; ea trebuie înlocuită imediat
- Nu dezasamblați bateria
- Nu expuneți scula/bateria la ploaie
- Temperatură ambientă admisă (instrument/încărcător/acumulator):
 - în timpul încărcării 4...40°C
 - în timpul funcționării -20...+50°C
 - în timpul depozitării -20...+50°C

EXPLICAȚIA SIMBOLURILOR DE PE INSTRUMENT/ BATERIE

- ③ Citiți manual de instrucțiuni înainte de utilizare
- ④ Bateriile vor exploda când sunt aruncate în foc, deci nu ardeți bateriile sub niciun motiv
- ⑤ Depozitați instrumentul / încărcătorul / bateria în locuri în care temperatura nu va depăși 50 °C
- ⑥ Nu aruncați sculele electrice și bateriile direct la pubelele de gunoi

UTILIZAREA

- Încărcarea bateriei
 - ! **citiți avertismentele de siguranță și instrucțiunile care au fost furnizate împreună cu încărcătorul**
- Scoaterea/instalarea bateriilor ②
- Indicator nivel încărcare acumulator ⑦
 - apăsați butonul indicator al nivelului bateriei H pentru a afișa nivelul curent al bateriei ⑦a
 - ! **când nivelul cel mai scăzut al indicatorului bateriei începe să clipească după apăsarea butonului H⑦b, bateria este descărcată**
 - ! **când 2 niveluri ale indicatorului bateriei încep să clipească după apăsarea butonului H ⑦c, bateria nu se află în intervalul de temperatură de funcționare permis**
- Protecția bateriei
 - Aparatul este oprit brusc sau împiedicat să fie pornit când
 - **sarcina este prea mare** -> îndepărtați sarcina și reporniți
 - **temperatura bateriei nu se încadrează în intervalul admisibil de temperatură de funcționare de la -20 la + 50 °C** -> 2 niveluri ale indicatorului de nivel al bateriei începe să clipească la apăsarea butonului H⑦c; așteptați până când bateria a revenit în intervalul permis de temperatură de funcționare
 - **bateria este aproape descărcată (pentru a proteja împotriva descărcării profunde)** -> un nivel scăzut al bateriei sau un nivel scăzut intermitent al bateriei ⑦b este afișat de indicatorul nivelului bateriei atunci când apăsați butonul H; încărcați bateria
 - ! **nu continuați să apăsați comutatorul pornit/oprit**

după oprirea automată a mașinii; în caz contrar, bateria poate fi deteriorată

- Atașarea clemei pentru centură ⑧
 - atașați clema centurii L la cheie cu șurubul furnizat
- Schimbarea direcției de rotație ⑨
 - dacă nu se așază în poziția corectă stânga/dreapta, întreprător E② nu va putea fi acționat
 - ! **schimbați direcția de rotație abia atunci când aparatul este complet oprit**
- Întreprător combinat pentru conectare/deconectare ⑩ și dirijarea vitezei ⑪
 - controlați viteza fără trepte de la zero la maximum prin apăsare mai puternică sau mai slabă a butonului de pornire E②
- Lumină LED ⑫
 - Led-lumina se aprinde atunci când se activează comutatorul E de pornire/oprire sau se apasă fie butonul de lumină LED F, fie butonul de mod G
 - Apăsați butonul LED pentru a selecta luminozitatea dorită:
 - Luminozitate scăzută** - se oprește la aproximativ 10s după ce comutatorul de pornire/oprire este eliberat
 - Luminozitate ridicată** - se oprește la aproximativ 600 de ani după eliberarea comutatorului de pornire/oprire
 - ! **Când LED-ul începe să lumineze intermitent rapid, protecția bateriei este activată (a se vedea mai jos)**
- Selector de mod ⑬
 - apăsați butonul de mod G pentru a selecta modul dorit:
 - Modul de viteză redusă (lumina "1" strălucește verde) ⑬a**
 - strângere cu mai puțină forță și la viteză scăzută
 - pentru șuruburi mici și șuruburi
 - Modul de viteză medie (lumina "1&2" strălucesc verde) ⑬b**
 - strângere cu cuplu și viteză medie
 - pentru șuruburile în aplicare medie
 - Modul de mare viteză (lumina "1&2&3" strălucesc verde) ⑬c**
 - strângere cu mai multă forță și viteză ridicată
 - pentru șuruburi și bolțuri mari
 - Modul de control invers (lumina "RM" strălucește verde) ⑬d**
 - pentru desfacerea șuruburilor și piulițelor
 - se oprește când șurubul sau piulița este slăbită
 - ! **modul de control invers este disponibil numai cu rotație inversă; cu rotație înainte se utilizează pentru viteză mare**
 - ! **modurile pot fi modificate numai atunci când LED-urile verzi sunt activate și când scula este oprită complet**
- Instalarea și demontarea racord ⑭
 - pentru a instala un racord, pur și simplu împingeți-l pe unitatea pătrată D
 - pentru scoaterea unui racord, scoateți-l pur și simplu de pe șurubelnița pătrată D
 - ! **utilizați numai racorduri cu un bit pătrat de 3/8" ⑭a**
 - ! **utilizați adaptorul M pentru racorduri cu un bit pătrat de 1/2" ⑭b**
 - ! **nu utilizați racorduri deteriorate**
- Mănuirea și dirijarea sculei ⑮
 - ! **în timp ce lucrați, țineți întotdeauna scula de zonă (zonele) de prindere colorate gri**

- mențineți fantele de ventilație B② neacoperite
- nu exercitați prea multă presiune asupra sculei; lăsați scula să funcționeze

SFATURI PENTRU UTILIZARE

- Folosiți biți juste
- Atunci când doriți să suciți un șurub la faginea, colțul, capătul lemnului, se recomandă să faceți o gaură cu instrumentul de găurit pentru a evita crăparea lemnului
- Pentru o utilizare optimă a instrumentului este necesară exercitarea unei presiuni constante asupra șurubului, în special la schimbare
- În cazul înșurubării într-un lemn tare se recomandă efectuarea în prealabil a unei găuri
- Pentru mai multe informații, consultați www.skil.com

ÎNȚEȚINERE/SERVICE

- Această sculă nu este destinată utilizării profesionale
- Păstrați întotdeauna aparatul curat (mai ales fantele de ventilație B②)

! ! scoateți bateria din scula electrică înainte de curățare

- Dacă în ciuda procedurilor de fabricație și control riguroase scula are totuși o pană, repararea acesteia se va face numai la un atelier de asistență service autorizat pentru scule electrice SKIL
 - trimiteți scula completă cu bonul de cumpărare la distribuitorul sau la centrul de service SKIL cel mai apropiat (adrese și diagrame de service se găsesc la www.skil.com)
 - Trebuie să fiți conștienți de faptul că deteriorarea datorată supra-sarcinii sau utilizării incorecte a sculei va duce la excluderea din garanție (pentru condițiile de garanție SKIL consultați www.skil.com sau întrebați distribuitorul)

MEDIUL

- **Nu aruncați sculele electrice, bateriile, accesoriile sau ambalajele direct la pubelele de gunoi** (numai pentru țările din Comunitatea Europeană)
 - Directiva Europeană 2012/19/EC face referire la modul de aruncare a echipamentelor electrice și electronice și modul de aplicare a normelor în conformitate cu legislația națională; sculele electrice în momentul în care au atins un grad avansat de uzură și trebuie scurte aruncate, ele trebuie colectate separat și reciclate într-un mod ce respectă normele de protecție a mediului înconjurător
 - simbolul Ⓢ vă va reaminti acest lucru
- **! înainte aruncare protejați terminalele bateriei cu lentă protectoare pentru a preîntâmpina scurtcircuitul**

ZGOMOT/VIBRAȚII

- Măsurat în conformitate cu EN62841, nivelul de presiune acustică al acestui instrument este 88 dB (A) și nivelul de putere acustică 99 dB (A) (incertitudine K = 3 dB) și vibrația 9.1 m/s² (suma vectorului triax; incertitudinea K = 1.5 m/s²)
- Nivelul emisiilor de vibrații a fost măsurat în conformitate cu un test standardizat dat în EN62841; poate fi folosit pentru a compara un instrument cu altul și ca o evaluare

preliminară a expunerii la vibrații atunci când se utilizează scula pentru aplicațiile menționate

- utilizarea sculei pentru aplicații diferite sau cu accesorii diferite și prost întreținute poate crește semnificativ nivelul de expunere
- momentele în care scula este oprită sau când funcționează dar nu execută nicio lucrare, pot reduce semnificativ nivelul de expunere

! protejați-vă împotriva efectelor vibrațiilor prin întreținerea sculei și a accesoriilor sale, păstrând mâinile calde și organizând procesele de lucru

BG

Безчетков акумулаторен ударен гайковерт

3265

УВОД

- Този инструмент е предназначен за завинтване и разхлабване на винтове и болтове
- Този инструмент не е предназначен за професионална употреба
- Ако някои части липсват или са повредени, моля, свържете се със своя търговец
- **Прочетете внимателно това ръководство преди употреба и го запазете за справки в бъдеще ③**
- **Обърнете специално внимание на инструкциите за безопасност и предупрежденията; неспазването им може да доведе до сериозно увеждане**

ТЕХНИЧЕСКИ ДАННИ ①

Макс. въртящ момент при твърди винтови съединения по ISO 5393: 250Nm

ЕЛЕМЕНТИ НА ИНСТРУМЕНТА ②

- A** Превключвател за посоката на въртене (напред / централно заключване / назад)
- B** Вентилационни отвори
- C** Светодиодна светлина
- D** Квадратна предавка
- E** Спусък за включване/изключване и регулиране на скоростта
- F** Бутон на LED светлината
- G** Бутон за режим
- H** Бутон за индикация на нивото на батерията
- J** Зона за съхранение на накрайници
- K** Зона за фиксиране на лента
- L** Скоба за колан
- M** Адаптер*

*НЕ Е ВКЛЮЧЕНО СТАНДАРТНО

БЕЗОПАСНОСТ

ОБЩИ ПРЕДУПРЕЖДЕНИЯ ЗА БЕЗОПАСНОСТ НА ЕЛЕКТРИЧЕСКИ ИНСТРУМЕНТИ

⚠ ПРЕДУПРЕЖДЕНИЕ Прочетете всички предупреждения за безопасност, инструкции, илюстрации и спецификации предоставени с този електрически инструмент. Неспазването на всички

инструкции изброени долу може да доведе до токов удар, пожар и/или сериозно нараняване.

Запазете всички предупреждения и инструкции за бъдеща справка.

Терминът "електрически инструмент" в предупрежденията се отнася до захранвани от мрежата (кабелни) електрически инструменти или захранвани чрез батерия (безкабелни) електрически инструменти.

1) БЕЗОПАСНОСТ В РАБОТНАТА ЗОНА

- a) **Поддържайте работната зона чиста и добре осветена.** Разхвърляни или тъмни работни зони пораждаат инциденти.
- b) **Не работете с електрически инструменти в експлозивна атмосфера, като например в присъствието на запалими течности, газ или прах.** Електрическият инструмент създава искра, която може да възпламени праха или изпаренията.
- c) **Дръжте на разстояние децата и страничните лица, докато работите с електрически инструмент.** Разсейването може да причини загуба на контрол.

2) ЕЛЕКТРИЧЕСКА БЕЗОПАСНОСТ

- a) **Щепселите на електрическия инструмент трябва да съответстват на контакта. Никога не модифицирайте щепсела по канъвто и да е начин. Не използвайте канъвто и да е адаптер със заземени електрически инструменти.** Немодифицираните щепсели и съответстващите контакти ще намалят риска от електрически шок.
- b) **Избягвайте контакт на тялото със заземени повърхности, като тръби, радиатори, кухненски печки и хладилници.** Съществува повишена опасност от токов удар, ако тялото Ви е заземено.
- c) **Не излагайте електрическите инструменти на дъжд или влажни условия.** Навлизането на вода в електрическия инструмент ще увеличи риска от токов удар.
- d) **Не злоупотребявайте с кабела. Никога не използвайте кабела за пренасяне, изтегляне или изключване от контакта на електрическия инструмент. Дръжте кабела настрана от топлина, масло, остри ръбове или движещи се части.** Повредени или оплетени кабели увеличават риска от електрически удар.
- e) **Когато работите с електрически инструмент на открито, използвайте удължителен кабел подходящ за употреба на открито.** Употребата на кабел подходящ за употреба на открито намалява риска от електрически удар.
- f) **Ако работата с електрическия инструмент на влажно място е неизбежна, използвайте захранване с дефектнонова защита (RCD).** Употребата на RCD намалява риска от токов удар.

3) ЛИЧНА БЕЗОПАСНОСТ

- a) **Внимавайте, гледайте навко правите и използвайте здрав разум, когато работите с електрически инструмент. Не използвайте електрически инструмент, когато сте уморени или когато сте под влияние на наркотици, алкохол или лекарства. Момент невнимание по**

време на работата с електрически инструмент, може да доведе до сериозно лично нараняване.

- b) **Използвайте лични предпазни средства. Винаги носете защита за очите.** Защитно оборудване като прахови маски, не плъзгащи се безопасно обувки, твърда каска или защита за слуха използвана при подходящи условия ще намали риска от лични наранявания.
 - c) **Предотвратете непреднамерено пускане. Уверете се, че ключът е в изключена позиция, преди да свържете към захранване и/или батерия, повдигайки или носейки инструмента.** Носейки инструмента, докато пръстът ви е на спусъка или подаването на захранване на инструменти, които са с включен прегъсвач е предпоставка за инциденти.
 - d) **Извадете всеки регулиращ ключ или гаечен ключ, преди да включите захранването.** Гаечен или друг ключ оставен закачен към въртящите се части на електрическия инструмент, може да доведе до лично нараняване.
 - e) **Не се протягайте. Запазете правилна стойна и баланс по всяко време.** Това позволява по-добър контрол върху електрическия инструмент в непредвидени ситуации.
 - f) **Облечете се подходящо. Не носете отпуснати дрехи или бижута. Дръжте косата и дрехите си далеч от движещи се части.** Отпуснати дрехи, бижута или дълга коса, могат да бъдат хванати в движещите се части.
 - g) **Ако са предоставени устройства за свързване на прахоуловител или съоръжения за събиране, уверете се, че те са свързани и са правилно използвани.** Употребата на устройства за събиране на прах може да намали рисковете свързани с прах.
 - h) **Не позволявайте на рутинността придобита от честата употреба на инструмента да позволи да станете небрежни и да игнорирате принципите за безопасност на инструмента.** Небрежно действие може да причини сериозно нараняване за части от секундата.
- #### 4) УПОТРЕБА И ГРИЖА ЗА ЕЛЕКТРИЧЕСКИЯ ИНСТРУМЕНТ
- a) **Не пресилвайте електрически инструмент. Използвайте правилния електрически инструмент за вашата работа.** Правилният електрически инструмент ще свърши работата по-добре и по-безопасно при капацитета за който е проектиран.
 - b) **Не използвайте електрическия инструмент ако ключът не го включва или изключва.** Всеки електрически инструмент, който не може да бъде контролиран от ключа е опасен и трябва да бъде поправен.
 - c) **Разкачете щепсела от захранването и/или извадете батерията, ако може да се извърши, от електрическия инструмент, преди да извършите настройки, смяна на аксесоари или съхраняване на инструментите.** Подобни превантивни мерки за безопасност намаляват риска от стартиране на електрическия инструмент инцидентно.
 - d) **Дръжте свободния електрически инструмент извън достъпа до деца и не позволявайте хора, които не са запознати с електрическия**

инструмент или тези инструкции да работят с него. Електрическите инструменти са опасни в ръцете на необучени потребители.

- e) **Поддържайте на електрически инструменти и аксесоари.** Проверете за разместване или блокиране на подвижни части, счупване на части, и всякакви други условия, които могат да повлияят на работата на електрическия инструмент. При повреда ремонтирайте инструмента преди употреба. Много инциденти са причинени от лошо поддържани електрически инструменти.
- f) **Дръжте режещите инструменти остри и чисти.** Правилно поддържани режещи инструменти, с остри режещи ръбове е по-малко вероятно да се заклещат и по-лесно се контролират.
- g) **Използвайте електрическия инструмент, аксесоарите, частите на инструмента и т.н в съответствие с тези инструкции, като вземете предвид условията на работа и вида работа, която ще бъде извършвана.** Употребата на електрическия инструмент за дейности различни от предназначенията може да доведе до опасни ситуации.
- h) **Дръжте ръкохватките и повърхностите за захващане сухи, чисти и без масло и грес.** Хлъзгавите ръкохватки и места за захващане не позволяват безопасно боравене и контролиране на инструмента при неочаквана ситуация.
- 5) **УПОТРЕБА И ГРИЖА ЗА ИНСТРУМЕНТ С БАТЕРИЯ**
 - a) **Презареджайте само със зарядното устройство определено от производителя.** Зарядно устройство, което е подходящо за един вид акумулаторна батерия може да създаде опасност от пожар, когато се използва с друга акумулаторна батерия.
 - b) **Използвайте електрически инструменти само със специфично обозначени акумулаторни батерии.** Използването на всяка друга акумулаторна батерия може да създаде риск от нараняване и пожар.
 - c) **Когато акумулаторните батерии не са в употреба ги дръжте на разстояние от други метални обекти, като кламери, монети, ключове, пирони, отвертки или други малки метални предмети, които могат да направят свързване между клемите.** Свързване на късо на клемите на батерията може да причини изгаряне или пожар.
 - d) **При условия на злоупотреба, може да се изхвърли течност от батерията. Избягвайте контакт. В случай на инцидентен контакт измийте с вода. Ако течността влезе в контакт с очите, потърсете допълнително медицинска помощ.** Течността изхвърлена от батерията може да причини раздразнение или изгаряния.
 - e) **Не използвайте акумулаторна батерия или инструмент, които са повредени или модифицирани.** Повредените или модифицираните батерии може да проявят непредсказуемо поведение, което да доведе до пожар, експлозия или риск от нараняване.
 - f) **Не излагайте батерията или инструмента на**

огън или прекомерна температура. Излагане на огън или температури над 130 °C може да причини експлозия.

- g) **Следвайте всички инструкции за зареждане и не зареждайте батерията или инструмента извън температурния обхват зададен в инструкциите.** Неправилното зареждане или зареждане извън определения температурен обхват може да повреди батерията и да повиши риска от пожар.
- 6) **ОБСЛУЖВАНЕ**
 - a) **Обслужвайте вашия електрически инструмент чрез квалифициран техник, като използвате само идентични резервни части.** Това ще осигури поддържането на безопасност не електрическия инструмент.
 - b) **Никога не поправяйте повредени акумулаторни батерии.** Ремонтът на акумулаторни батерии трябва да бъде извършван от производителя или оторизиран сервиз.

ИНСТРУКЦИИ ЗА БЕЗОПАСНОСТ ЗА АКУМУЛАТОРНИ УДАРНИ ГАЙКОВЕРТИ

- **Дръжте електроинструмента за изолирани захващащи повърхности при изпълняване на операция, при която скрепителният елемент може да влезе в контакт със скрито онабеляване** (скрепителни елементи в контакт с „жив“ електрически проводник могат да направят изложените метални части на електроинструмента „живи“ и да причинят електрически удар у оператора)

ОБЩИ

- Прахът от някои материали, като например съдържаща олово боя, някои видове дървесина, минерали и метали може да бъде вреден (контакт или вдихване на такъв прах могат да причинят алергични реакции и/или респираторни заболявания на оператора или стоящите наблизо лица); **използвайте противопрахова маска и работете с аспириращо праха устройство, когато такова може да бъде свързано**
- Определени видове прах са класифицирани като карциногенни (като прах от дъб и бук) особено когато са комбинирани с добавки за подобряване на състоянието на дървесината; **използвайте противопрахова маска и работете с аспириращо праха устройство, когато такова може да бъде свързано**
- Следвайте дефинираните по БДС изисквания относно запрашеността за материалите, които желаете да обработвате
- Не обработвайте съдържащ азбест материал (азбестът е канцерогенен)
- Убедете се че ключът за посоката на въртене АО2 е в средно (блокирано) положение, преди да направите каквито и да било настройки или смени на консумативите или когато транспортирате или прибирате инструмента

АКСЕСОАРИ

- SKIL може да осигури безаварийна работа на инструмента, само ако се използват оригинални допълнителни приспособления.
- Използвайте само принадлежности, чиято допустима скорост на въртене е по-голяма или равна на

максималната скорост на въртене на празен ход на електроинструмента

ПРЕДИ УПОТРЕБА

- Избягвайте повреди, които могат да бъдат причинени от винтове, гвоздеи и други метални елементи в обработвания детайл; отстранете ги преди да започнете работа
- **Обезопасете работния материал** (материал, затегнат в затягащ инструмент или в менгема е по-устойчив, отколкото ако се държи в ръка)
- **За да откриете скрити под повърхността елентро-, водо- и газопроводи, използвайте подходящи уреди или се обърнете към местното снабдително дружество** (прекъсването на електропроводници под напрежение може да предизвика пожар и/или токов удар; увреждането на газопровод може да предизвика експлозия; засягането на водопровод може да предизвика значителни материални щети и/или токов удар)

АНУМУЛАТОРНИ БАТЕРИИ

- **Доставената в комплекта батерия е частично заредена** (за да осигурите пълен капацитет на батерията, заредете напълно батерията в зарядното устройство за батерия, преди да използвате вашия електроинструмент за първи път).
- **Използвайте само следните батерии и зарядни устройства с този инструмент**
 - SKIL батерия: BR1*31****
 - SKIL зарядно устройство: CR1*31****
- Не използвайте неизправна батерия; незабавно я заменете
- Не разглобявайте батерията
- Не излагайте на дъжд инструмента/батерията
- Допустима околна температура (инструмент/зарядното устройство/батерия):
 - при зареждане 4...40°C
 - по време на работа -20...+50°C
 - при съхраняване -20...+50°C

ОБЯСНЕНИЕ НА СИМВОЛИТЕ ПО ИНСТРУМЕНТА/АНУМУЛАТОРНАТА БАТЕРИЯ

- ③ Преди употреба прочетете ръководството с указания
- ④ Хвърлен в огън, акумулаторът ще експлодира, така че не изгаряйте акумулатора по каквато и да е причина
- ⑤ Съхранявайте инструмента/зарядното устройство/батерията в помещения при температури, не по-високи от 50°C
- ⑥ Не изхвърляйте електроуредите и батерии заедно с битови отпадъци

УПОТРЕБА

- Зареждане на акумулаторната батерия
 - ! прочетете предупрежданията и инструкциите за безопасност, доставени със зарядното устройство
- Изваждане/инсталиране на батерията ②
- Индикатор за нивото на заряд на батерията ⑦
 - натиснете бутона за индикатора на нивото на заряд на батерията Н за показване на текущото ниво на заряд на батерията ⑦a
 - ! **Когато най-ниското ниво на индикатора за батерията започне да мига след натискане на бутона Н⑦b, батерията е разредена**
 - ! **Когато 2 нива на индикатора на батерията**

започнат да мигат след натискане на бутона Н⑦с, батерията не е в допустимия работен температурен диапазон

- **Защита на батерията**
Инструментът внезапно се изключва или не позволява да се включи, когато
 - **натоварването е прекалено голямо** -> премахнете натоварването и рестартирайте
 - **температурата на батерията е извън допустимия работен температурен диапазон от -20 до +50°C** --> 2 нива на индикатора за заряд на батерията започват да мигат, когато натискате бутона Н⑦с; изчакайте, докато батерията си възвърне допустимия работен температурен диапазон
 - **батерията е почти празна (за предпазване срещу пълно разреждане)** --> ниско ниво на батерията или мигащо ниско ниво на батерията ⑦b е показано чрез индикатора за заряд на батерията, когато натискате бутона К; заредете батерията
- ! **след автоматичното изключване на инструмента не продължавайте да натискате спусъка, понеже може да се повреди акумулаторът**
- **Закрепване на щипка за колан ⑧**
 - прикрепете щипката за колан L към гайковерта с предоставения винт
- **Обръщане на посоката на въртене ⑨**
 - ако не е точно в положение включване/изключване, превключвателят Е② не може да бъде активиран
 - ! **обръщайте посоката на въртене само когато електроинструментът е напълно спръл**
- **Комбиниран бутон за включване/изключване ⑩ и управление на скоростта ⑪**
 - управлението на скоростта от нула до максималната стойност се извършва като натискате по-силно или по-слабо Е②
- **LED светлина ⑫**
 - LED светлината се включва при активиране на превключвателя за включване/изключване Е или натискане на бутона за LED светлина F или бутона за режим G
 - Натиснете бутона за LED светлина, за да изберете желаната яркост:
 - Ниска яркост** - изключва се припл. 10 секунди след освобождаване на превключвателя за включване/изключване
 - Висока яркост** - изключва се припл. 600 секунди след освобождаване на превключвателя за включване/изключване
 - ! **Когато светодиодът започне да мига бързо, защитата на батерията е активирана (вижте по-горе)**
- **Избор на режим ⑬**
 - натиснете бутона за режим G, за да изберете желания режим:
 - Режим на ниска скорост (светлината "1" свети в зелено) ⑬a**
 - затягане с по-малък въртящ момент и ниска скорост
 - за малки болтове и винтове
 - Режим на средна скорост (лампичките "1 и 2" светят в зелено) ⑬b**

- затягане със среден въртящ момент и скорост
- за винтове при приложение със средно натоварване

Високоскоростен режим (лампочките “1 и 2 и 3” светят в зелено) ¹³c

- затягане с голяма сила и скорост
- за големи винтове и болтове

Реверсивен режим на управление (светлината “RM” свети в зелено) ¹³d

- за разхлабени болтове и гайки
- спира, когато болтът или гайката се разхлаби

! режимът на контролирано развиване е възможен само при обратно въртене; при завиване напред се използва за висока скорост

! режимите могат да се променят само когато зеленият(ите) светодиод(и) са активирани и когато инструментът е напълно спрял

- Инсталиране и премахване на гнезда ¹⁴
 - за да инсталирате гнездо, просто го натиснете върху квадратната предавка D
 - за да извадите гнездо, просто го издърпайте от квадратната предавка D
- ! използвайте само гнезда с квадратна предавка 3/8” ¹⁴a**

! Използвайте адаптер M за гнезда с 1/2” квадратно задвижване ¹⁴b

! не използвайте повредени гнезда

- Държане и насочване на инструмента ¹⁵
 - ! по време на работа, винаги дръжте инструмента за оцветената в сиво област(и) за хващане**
 - оставяйте вентилационните отвори В ² непокрыти
 - не прилагайте твърде голям натиск върху инструмента; нека той да свърши работата вместо вас

УКАЗАНИЯ ЗА РАБОТА

- Използвайте подходящи бит
- При завиване на винт в близост до ръба на дървен детайл първо пробийте отвор, за да избегнете откътрване на дървото
- За оптимална работа на електроинструмента е необходим постоянен натиск върху винта, включително при развиване
- При завиване на винтове в твърдо дърво първо пробийте отвор
- За повече информация вижте www.skil.com

ПОДДРЪЖКА/СЕРВИЗ

- Този инструмент не е предназначен за професионална употреба
- Винаги поддържайте инструмента чист (особено вентилационните отвори В ²)
 - ! ! Извадете батерията от инструмента преди почистване**
- Ако въпреки прецизното производство и внимателно изпитване възникне повреда, инструмента да се занесе за ремонт в оторизиран сервиз за електроинструменти на SKIL
 - занесете инструмента в неразглобен вид заедно с доказателство за покупката му в търговския обект, откъдето сте го закупили, или в най-близкия

сервиз на SKIL (адресите, както и схемата за сервизно обслужване на електроинструмента, можете да намерите на адрес www.skil.com)

- Имайте предвид, че повреда поради претоварване или неправилно манипулиране с инструмента ще бъдат изключени от гаранцията (за условията на гаранцията от SKIL виж на интернет адрес: www.skil.com или попитайте вашия дилър)

ОПАЗВАНЕ НА ОКОЛНАТА СРЕДА

- **Не изхвърляйте електроуредите, батерии, приспособленията и опаковките заедно с битови отпадъци** (само за страни от ЕС)
 - съобразно Директивата на ЕС 2012/19/ЕО относно износени електрически и електронни уреди и отразяването ѝ в националното законодателство износените електроуреди следва да се събират отделно и да се предават за рециклиране според изискванията за опазване на околната среда
 - символът ⁶ ще ви напомни за това, когато е необходимо изхвърляне
- ! преди да изхвърлите батерията, защитете изводите ѝ с дебела лепенка, за да няма опасност от възникване на късо съединение**

ШУМ/ВИБРАЦИИ

- Измерено в съответствие с EN62841, нивото на звуковото налягане на този инструмент е 88 dB(A), а нивото на звуковата мощност 99 dB(A) (неопределеност K = 3 dB), и вибрацията 9,1 m/s² (триаксиална векторна сума; неопределеност K = 1,5 m/s²)
- Нивото на предадените вибрации е измерено в съответствие със стандартизирания тест, определен в EN62841; то може да се използва за сравнение на един инструмент с друг и като предварителна оценка на подлагането на вибрации при използването на инструмента за посочените приложения
 - използването на инструмента за различни от тези приложения или с други, или лошо поддържани аксесоари може значително да повиши нивото, на което сте подложени
 - периодите от време, когато инструмента е изключен или съответно включен, но с него не се работи в момента могат значително да намалят нивото на което сте подложени
- ! предпазвайте се от ефектите от вибрациите, като поддържате инструмента и аксесоарите му, пазете ръцете си топли и организирате вашите модели на работа**

SK

Akumulátorový rázový uťahovák

3265

ÚVOD

- Tento nástroj je určený na uťahovanie a uvoľňovanie skrutiek
- Toto náradie nie je vhodné pre profesionálne použitie

- Ak sú niektoré súčasti poškodené, alebo chýbajú, obráťte sa na vášho predajcu
- **Pred použitím si dôkladne prečítajte tento návod a uschovajte si ho pre prípad potreby v budúcnosti** ③
- **Zvlášť venujte pozornosť bezpečnostným pokynom a upozorneniam; nedodržanie týchto pokynov môže spôsobiť vážne zranenie**

TECHNICKÉ ÚDAJE ①

Max. krútiaci moment pre pevné skrutkovanie podľa ISO 5393: 250Nm

ČASTI NÁRADIA ②

- A Volič smeru otáčania (dopredu/stredná zaistená poloha/dozadu).
- B Vetracie štrbiny
- C LED svetlo
- D Štvorcová násada
- E Hlavný vypínač a ovládanie rýchlosti
- F Tlačidlo LED svetlo
- G Tlačidlo režimu
- H Tlačidlo kontrolky stavu akumulátora
- J Miesto pre uloženie hrotu
- K Mesto pre pripavenie remienka
- L Spona na opasok
- M Adaptér*

*ŠTANDARDNE NEOSAHUJE

BEZPEČNOSŤ

VŠEOBECNÉ BEZPEČNOSTNÉ UPOZORNENIA PRE ELEKTRICKÉ NÁRADIE

VAROVANIE Prečítajte si všetky bezpečnostné výstrahy, pokyny, ilustrácie a technické údaje dodané s týmto elektrickým nástrojom. Nedodržanie nižšie uvedených pokynov môže mať za následok úraz elektrickým prúdom, požiar a/alebo vážne zranenie.

Všetky varovania a pokyny si ponechajte pre prípadnú potrebu v budúcnosti.

Termín „elektrické náradie“ vo varovaniach znamená- váš elektrický prístroj zapojený (cez kábel) do prívodu elektrickej energie alebo napájaný (bezdrôtovo) z akumulátora.

1) BEZPEČNOSŤ PRACOVISKA

- a) **Udržujte pracovisko čisté a dobre osvetlené.** Neporiadok alebo tmavé miesta spôsobujú nehody.
- b) **Nepoužívajte elektrické náradie vo výbušnom prostredí, napríklad v prítomnosti horľavých kvapalín, plynov alebo prachu.** Elektrické náradie je zdrojom iskrenia, ktoré môže zapáliť prach alebo výpary.
- c) **Pri používaní elektrického náradia udržiavajte deti a okolostojace osoby mimo pracoviska.** Rozptyľovanie pozornosti môže viesť ku strate kontroly.

2) ELEKTRICKÁ BEZPEČNOSŤ

- a) **Zástrčka elektrického náradia musí zodpovedať elektrickej zásuvke. Nikdy a žiadnym spôsobom nemodifikujte zástrčku. Nepoužívajte žiadne rozbočovacie zástrčky s uzemneným elektrickým náradím.** Neupravené zástrčky a vhodné zásuvky

obmedzia nebezpečenstvo úrazu elektrickým prúdom.

- b) **Zabráňte kontaktu tela s uzemnenými povrchmi, ako sú rúry, radiátory, sporáky a chladničky.** Dochádza k zvýšeniu rizika úrazu elektrickým prúdom, ak je vaše telo uzemnené.
- c) **Chráňte elektrické náradie pred dažďom a vlhkým prostredím.** Vniknutie vody do elektrického náradia zvyšuje riziko úrazu elektrickým prúdom.
- d) **Nepoužívajte kábel nesprávnym spôsobom. Nepoužívajte ho na prenášanie, ťahanie alebo odpájanie elektrického náradia. Udržujte kábel v dostatočnej vzdialenosti od zdrojov tepla, oleja, ostrých hrán alebo pohyblivých častí.** Poškodené alebo zmatané káble zvyšujú riziko úrazu elektrickým prúdom.
- e) **Ak sa chystáte náradie použiť v exteriéroch, použite výhradne predlžovaciu šnúru vhodnú na použitie v exteriéroch.** Použitie šnúry vhodnej pre použitie v exteriéroch znižuje riziko úrazu elektrickým prúdom.
- f) **Ak je používanie elektrického náradia vo vlhkom prostredí nevyhnutné, použite napájanie chránené prúdovým chráničom (RCD).** Použitie prúdového chrániča znižuje riziko úrazu elektrickým prúdom.

3) BEZPEČNOSŤ OSÔB

- a) **Buďte pozorní, sledujte to, čo robíte a používajte zdravý rozum pri práci s elektrickým náradím. Nepoužívajte elektrické náradie, ak ste unavení alebo pod vplyvom drog, alkoholu alebo liekov.** Chvilíková nepozornosť pri práci s elektrickým náradím môže mať za následok vážne zranenie.
- b) **Používajte osobné ochranné pomôcky. Vždy používajte ochranu očí.** Ochranné prostriedky, ako napríklad maska proti prachu, protišmyková obuv, ochranná prilba alebo chrániče sluchu používané v príslušných podmienkach, znižujú riziko poranenia osôb.
- c) **Zabráňte neúmyselnému uvedeniu do prevádzky. Pred pripojením k zdroju napájania a/alebo akumulátoru, pri zdvíhaní alebo prenášaní náradia sa uistite, že prepínač je vo vypnutej polohe.** Prenášanie elektrického náradia s prstom na vypínači alebo aktivácia elektrického náradia, ktoré má zapnutý vypínač, môže viesť k úrazu.
- d) **Pred spustením náradia vždy odstráňte nastavovací klín alebo kľúč.** Kľúč alebo klín, ktorý necháte pripojený k otáčajúcej sa časti elektrického náradia, môže spôsobiť zranenie osôb.
- e) **Nepreceňujte sa. Pri práci vždy dodržujte správny postoj a rovnováhu.** To umožňuje lepšiu ovládateľnosť náradia v nečakaných situáciách.
- f) **Noste vhodné oblečenie. Nenoste šperky alebo voľný odev. Udržujte vlasy a oblečenie mimo dosah pohybujúcich sa častí.** Voľný odev, šperky alebo dlhé vlasy môžu byť zachytené pohybujúcimi sa dielmi.
- g) **Pokiaľ je náradie vybavené zariadením na zachytávanie prachu a úlomkov materiálu, skontrolujte, či je k náradiu správne pripojené.** Použitie odsávania prachu môže znížiť nebezpečenstvo, ktoré súvisí s prachom.
- h) **Nedovoľte, aby ste sa po získaní skúseností častým používaním náradia stali neobozretnými a ignorovali zásady bezpečnosti.** Nedbalá činnosť môže spôsobiť vážne zranenie za zlomok sekundy.

4) POUŽITIE ELEKTRICKÉHO NÁRADIA A STAROSTLIVOSŤ

- a) **Stroj nepreťažujte.** Používajte správny typ náradia určený na danú prácu. Náradie bude pracovať lepšie a bezpečnejšie pri rýchlosti, na ktorú bolo navrhnuté.
 - b) **Nepoužívajte elektrické náradie, ak sa nedá zapnúť a vypnúť použitím vypínača.** Akékoľvek elektrické náradie, ktoré sa nedá ovládať vypínačom je nebezpečné a musí sa opraviť.
 - c) **Pred akýmkoľvek nastavením, výmenou príslušenstva alebo pred uložením nepoužívaného elektrického náradia odpojte akumulátor, ak sa to dá.** Takéto preventívne a bezpečné opatrenia znižujú riziko náhodného spustenia elektrického náradia.
 - d) **Uchovávajte nepoužívané elektronáradie mimo dosahu detí a nedovoľte, aby osoby neoboznámene s elektrickým náradím alebo s týmito pokynmi náradie používali.** Elektrické náradie je nebezpečné v rukách neskúsených používateľov.
 - e) **Udržujte elektrické náradie a príslušenstvo. Skontrolujte nastavenie pohyblivých častí, poškodenie dielov a akékoľvek ďalšie okolnosti, ktoré môžu mať vplyv na funkciu elektrického náradia. Ak je elektrické náradie poškodené, nechajte ho pred použitím opraviť.** Veľa úrazov je zapríčinených zle udržiavaným náradím.
 - f) **Strihacie náradie udržiavajte ostré a čisté.** Starostlivo ošetrované strihacie náradie s ostrými čepeľami menej pravdepodobne uviazne a jednoduchšie sa ovláda.
 - g) **Používajte elektronáradie, príslušenstvo, násady apod. podľa týchto pokynov a rešpektujte pritom pracovné podmienky a vykonávanú činnosť.** Použitie elektrického náradia na iné ako určené účely môže viesť k nebezpečným situáciám.
 - h) **Udržujte rukoväte a uchopovacie plochy suché, čisté, bez oleja a maziva.** Klzké držiadlá a uchopovacie plochy neumožňujú bezpečnú manipuláciu s náradím a jeho ovládanie v nečakaných situáciách.
- #### 5) POUŽÍVANIE A STAROSTLIVOSŤ O NÁRADIE NA AKUMULÁTOR
- a) **Nabíjajte len pomocou nabíjačky špecifikovanej výrobcom.** Nabíjačka, ktorá je vhodná pre jeden typ akumulátora, môže predstavovať pri nabíjaní iného typu akumulátora nebezpečenstvo.
 - b) **Používajte elektrické náradie iba s výslovnou určenými akumulátormi.** Použitie iných typov akumulátorov môže spôsobiť riziko úrazu a požiaru.
 - c) **Ak sa akumulátor nepoužíva, držte ho mimo iných kovových predmetov, ako sú sponky, mince, kľúče, klince, skrutkovače alebo iné malé kovové predmety, ktoré by mohli navzájom prepojiť kontakty akumulátora.** Skratovanie kontaktov akumulátora môže spôsobiť popáleniny alebo požiar.
 - d) **Za nevhodných podmienok môže z akumulátora unikáť kvapalina. Zabráňte kontaktu. Pri náhodnom kontakte opláchnite vodou. Pri zasiahnutí očí vyhľadajte lekársku pomoc.** Unikajúca kvapalina z akumulátora môže spôsobiť podráždenie pokožky alebo popáleniny.
 - e) **Nepoužívajte akumulátor alebo nástroj, ktorý je poškodený alebo upravený.** Poškodené alebo upravené akumulátory môžu mať nepredvídateľné chovanie, ktoré môže viesť k požiaru, výbuchu alebo

nebezpečenstvu poranenia.

- f) **Nevystavujte akumulátor ani nástroj ohňu alebo nadmernej teplote.** Pri vystavení ohňu alebo teplote nad 130 ° C môže dôjsť k výbuchu.
 - g) **Dodržujte všetky pokyny pre nabíjanie a nenabíjajte akumulátor alebo náradie mimo teplotného rozsahu uvedeného v pokynoch.** Nesprávne nabíjanie alebo nabíjanie pri teplotách mimo stanovený rozsah môže poškodiť akumulátor a zvýšiť riziko požiaru.
- #### 6) SERVIS
- a) **Náradie zverte do opravy kvalifikovanej osobe, ktorá použije iba originálne náhradné diely.** Zabezpečíte tak zachovanie bezpečnosti elektrického náradia.
 - b) **Nikdy neopravujte poškodené akumulátory.** Servis akumulátorov smie robiť iba výrobca alebo autorizovaní servisní poskytovatelia.

BEZPEČNOSTNÉ POKYNY PRE AKUMULÁTOROVÝ RÁZOVÝ UŤAHOVÁK

- **Elektrické náradie držte za izolované plochy rukovätí pri vykonávaní takej práce, pri ktorej by mohol nástroj natrafiť na skryté elektrické vedenia** (kontakt uťahovača s vedením, ktoré je pod napätím, môže spôsobiť, že aj kovové súčiastky náradia sa dostanú pod napätie, čo môže spôsobiť zásah operátora elektrickým prúdom)

VŠEOBECNE

- Prach z materiálu, akým je náter obsahujúci olovo, niektoré druhy dreva, minerály a kovy môže byť škodlivý (kontakt alebo vdýchnutie prachu môže spôsobiť alergické reakcie a/alebo respiračné ochorenia obsluhy a okolostojacich osôb); **používajte ochrannú masku tváre a pracujte so zariadením na odsávanie prachu, ak je takéto zariadenie možné pripojiť**
- Určité druhy prachu sú klasifikované ako karcinogénne (napr. dubový a bukový prach), a to hlavne v spojení s prísadami na úpravu dreva; **používajte tvárovú ochrannú masku a pracujte so zariadením na odsávanie prachu, ak je takéto zariadenie možné pripojiť**
- Dodržujte stanovené nariadenia pre prácu v prašnom prostredí
- Neobrábajte materiál, ktorý obsahuje azbest (azbest sa považuje za rakovinotvorný materiál)
- Pred nastavovaním alebo výmenou príslušenstva, ako aj pri prenášaní alebo skladovaní náradia sa uistite, že je voľic smeru otáčania A② sa nachádza v strednej (uzamknutej) polohe.

PRÍSLUŠENSTVO

- SKIL môže zaistiť bezchybné fungovanie nástroja iba vtedy, ak sa používa originálne príslušenstvo.
- Používajte iba príslušenstvo s povolenými otáčkami zodpovedajúcimi maximálnym otáčkam bez zataženia nástroja.

PRED POUŽITÍM

- Zabráňte poškodeniu náradia skrutkami, klincami a inými kovovými predmetmi v obrobku; odstráňte ich predtým, než začnete pracovať
- **Zaistite obrábaný diel** (obrábaný diel uchytený pomocou upínacích zariadení alebo vo zveráku je oveľa bezpečnejší ako držaný v ruke).
- **Na vyhľadanie skrytých elektrických vedení, uplynulých a vodovodných potrubí použite vhodné vyhľadávacie prístroje, alebo sa spojte s príslušným**

ododávateľom (kontakt s elektrickým vedením môže mať za následok vznik požiaru alebo spôsobiť zásah elektrickým prúdom; poškodenie plynového potrubia môže spôsobiť výbuch; prevrtánie vodovodného potrubia spôsobí vecné škody, alebo môže spôsobiť zásah elektrickým prúdom)

AKUMULÁTORY

- **Dodaný akumulátor je čiastočne nabitý** (na zaručenie plnej kapacity akumulátora ho pred prvým zapnutím prístroja úplne nabite v nabíjačke)
- **S týmto náradím používajte len nasledujúce akumulátory a nabíjačky**
 - Akumulátor SKIL: BR1*31****
 - Nabíjačka SKIL: CR1*31****
- Nepoužívajte akumulátor, keď je poškodený; musí sa okamžite vymeniť
- Akumulátor nerozoberajte
- Náradie ani akumulátor nevystavujte dažďu
- Povolená teplota okolia (náradie/nabíjačka/akumulátor):
 - pri nabíjaní 4...40 °C
 - pri prevádzke - 20...+ 50 °C
 - pri skladovaní - 20...+ 50 °C

YSVETLENIE SYMBOLOV UMIESTNENÝCH NA NÁRADÍ/AKUMULÁTORE

- ③ Pred použitím si prečítajte návod na obsluhu
- ④ Akumulátor po vhodení do ohňa vybuchnú a preto ich nevhadzujte do ohňa zo žiadneho dôvodu.
- ⑤ Náradie, nabíjačku a akumulátor skladujte na miestach, kde teplota neprekročí 50 ° C
- ⑥ Nevhadzujte elektrické náradie a akumulátory do komunálneho odpadu

POUŽITIE

- Nabíjanie akumulátora
! prečítajte si bezpečnostné výstrahy a pokyny dodané s nabíjačkou
- Vybratie/inštalácia akumulátora ②
- Kontrolka nabitia akumulátora ⑦
 - stlačením tlačidla kontrolky nabitia akumulátora H zobrazíte aktuálny stav akumulátora ⑦a
 - ! keď po stlačení tlačidla H⑦b začne blikať najnižšia úroveň kontrolky, akumulátor je vybitý**
 - ! keď po stlačení tlačidla H⑦c začnú blikať 2 úrovne kontrolky akumulátora, akumulátor sa nenachádza v prípustnom rozsahu prevádzkových teplôt**
- Ochrana akumulátora
Náradie sa náhle vypína alebo sa nedá zapnúť v prípade, že
 - **je príliš vysoká záťaž** --> odstráňte záťaž a reštartujte
 - **teplota akumulátora nie je v prípustnom rozsahu prevádzkových teplôt - 20 až + 50 ° C** --> 2 úrovne kontrolky stavu akumulátora začnú blikať po stlačení tlačidla H⑦c; počkajte, kým sa akumulátor nevráti do povoleného rozsahu prevádzkových teplôt
 - **akumulátor je takmer vybitý (na ochranu pred hlbokým vybitím)** --> nízka úroveň nabitia alebo blikajúca nízka úroveň nabitia akumulátora ⑦b je indikovaná kontrolkou stavu akumulátora pri stlačení tlačidla H; nabite akumulátor
- ! potom ako sa náradie automaticky vypne, nestláčajte hlavný vypínač, môže sa poškodiť akumulátor**

- Pripevnenie spony na opasok ⑧
 - pripevnite sponu na opasok L na uťahovák pomocou dodanej skrutky
- Zmena smeru otáčania ⑨
 - ak nie je správne nastavený v polohe doľava/doprava, spínač E② sa nedá aktivovať
 - ! meňte smer otáčania, len keď je nástroj úplne nečinný**
- Hlavný vypínač ⑩ a ovládanie rýchlosti ⑪
 - rýchlosť plynule regulujte od 0 do maxima tým, že vyvíjate menší alebo väčší tlak na spínač E②
- LED svetlo ⑫
 - LED svetlo sa rozsvieti po stlačení hlavného vypínača E alebo stlačením tlačidla F pre LED svetlo alebo tlačidla režimu G
 - Stlačením tlačidla LED svetlo vyberte požadovaný jas: **Nízky jas** - vypne sa cca. 10 s po uvoľnení hlavného vypínača
 - Vysoký jas** - vypne sa cca. 600 s po uvoľnení hlavného vypínača
 - ! Keď začne LED svetlo blikať, aktivuje sa ochrana batérie (pozri vyššie)**
- Výber režimu ⑬
 - stlačením tlačidla režimu G vyberte požadovaný režim: **Režim nízkej rýchlosti (kontrolka „1“ svieti na zeleno) ⑬a**
 - uťahovanie malým krútiacim momentom a pri nižšej rýchlosti
 - pre malé skrutki
 - Režim strednej rýchlosti (kontrolky „1 a 2“ svietia na zeleno) ⑬b**
 - uťahovanie stredným krútiacim momentom a pri strednej rýchlosti
 - pre skrutki so stredným zaťažením
 - Vysokorýchlostný režim (kontrolky „1, 2, 3“ svietia na zeleno) ⑬c**
 - uťahovanie vysokým krútiacim momentom a pri vysokej rýchlosti
 - pre veľké skrutki a závit
 - Reverzný režim ovládania (kontrolka „RM“ svieti nazeleno) ⑬d**
 - na uvoľňovanie skrutiak a matic
 - zastaví, keď sa uvoľní skrutka alebo matica
 - ! režim ovládania je dostupný iba pri obrátenej rotácii; pri rotácii smerom dopredu sa používa vysoká rýchlosť**
 - ! režimy je možné zmeniť len vtedy, keď sú aktivované zelené LED diódy a keď je nástroj úplne zastavený**
- Inštalácia a odstránenie päťice ⑭
 - ak chcete nainštalovať päťicu, jednoducho ju natlačte na štvorcovú násadu D
 - ak chcete vybrať päťicu, jednoducho ju vytiahnite zo štvorcovej násady D
 - ! Používajte iba päťice s 3/8" štvorcovou násadou ⑭a**
 - ! používajte adaptér M pre päťice s 1/2" štvorcovou násadou ⑭b**
 - ! nepoužívajte poškodené päťice**
- Držanie a vedenie nástroja ⑮
 - ! pri práci držte náradie vždy za sivo zafarbené úchopové oblasti**
 - nechajte vetracie štrbiny B② nezakryté
 - na nástroj príliš netlačte; nechajte nástroj robiť prácu

za vás


APLIKAČNÉ RADY

- Používajte vhodné hroty
- Pri zaťahovaní skrutky v blízkosti rezu alebo na hrane dreva by sa mala predvŕtať diera, aby sa zabránilo prasknutiu dreva
- Pre optimálne použitie nástroja sa vyžaduje rovnomerný tlak na skrutku, hlavne pri vyberaní
- Pri zaskrutkovaní do tvrdého dreva by sa mala predvŕtať diera
- Ďalšie informácie nájdete na adrese www.skil.com

ÚDRŽBA/SERVIS

- Toto náradie nie je vhodné pre profesionálne použitie
- Náradie neustále udržiajte čisté (najmä vetracie štrbiny B^②)
- **! ! pred čistením vyberte akumulátor z náradia**
- Ak by náradie napriek starostlivej výrobe a kontrole predsa len prestalo niekedy fungovať, nechajte opravu vykonať v autorizovanej servisnej opravovni elektrického náradia SKIL
 - nezobraté náradie zašlite spolu s dokladom o kúpe svojmu predajcovi alebo do najbližšieho servisu SKIL (adresy ako aj servisná schéma náradia sú uvedené na www.skil.com)
 - Uvedomte si, že poškodenie spôsobené preťažením alebo nesprávnym zaobchádzaním bude zo záruky vylúčené (záručné podmienky spoločnosti SKIL nájdete na stránke www.skil.com alebo si ich vyžiadajte u vášho predajcu)

ŽIVOTNÉ PROSTREDIE

- **Elektrické náradie, akumulátory, príslušenstvo a balenie nevyhadzujte do komunálneho odpadu** (len pre štáty EÚ)
 - v súlade s európskou smernicou 2012/19/ES o odpade z elektrických a elektronických zariadení a jej implementácie v súlade s vnútroštátnymi právnymi predpismi musí byť elektrické náradie, ktoré dosiahlo koniec svojej životnosti, zbierané oddelene od ostatného odpadu a musí sa vrátiť do ekologického recyklačného zariadenia
 - pripomenie vám to symbol , keď nastane čas likvidácie
- **! pred likvidáciou prelepte vývody akumulátora hrubou páskou, aby ste zabránili skratu**

HLUK/VIBRÁCIE

- Hladina akustického tlaku tohto nástroja meraná v súlade s EN62841 je 88 dB (A) a hladina akustického výkonu 99 dB (A) (neurčitost' K = 3 dB) a vibrácie 9,1 m/s² (súčet vektorov troch osí; neurčitost' K = 1,5 m/s²)
- Úroveň vibrácií bola meraná v súlade s normalizovaným testom uvedeným v EN62841; môže sa použiť na porovnanie jedného nástroja s druhým a ako predbežné posúdenie vystavenia vibráciám pri použití nástroja na uvedené aplikácie
 - používanie náradia na rôzne aplikácie alebo s rôznym alebo nedostatočne udržiavaným príslušenstvom môže výrazne zvýšiť úroveň expozície
 - časy, počas ktorých je náradie vypnuté alebo počas

ktorých náradie beží, ale v skutočnosti nevykonáva prácu, môžu značne znížiť úroveň expozície

! chráňte sa pred účinkami vibrácií tak, že budete náradie a jeho príslušenstvo správne udržiavať, že nebudete pracovať so studenými rukami a že si vaše pracovné postupy správne zorganizujete

HR

Akumulatorski udarni ključ bez četkica

3265

UVOD

- Ovaj alat namijenjen je zavrtnanju i otpuštanju vijaka i svornjaka
- Ovaj alat nije namijenjen profesionalnoj upotrebi
- Ako vam dijelovi nedostaju ili su oštećeni, obratite se svom dobavljaču
- **Prije uporabe pažljivo pročitajte ovaj priručnik s uputama i spremite ga za kasniju uporabu** ^③
- **Posebnu pažnju obratite na upute i upozorenja u vezi sigurnosti; ako ih se ne pridržavate, moglo bi doći do ozbiljnih ozljeda**

TEHNIČKI PODACI ^①

Max. zakretni moment za mekši slučaj uvijanja prema ISO 5393: 250Nm

DIJELOVI ALATA ^②

- A** Birač smjera rotacije (naprijed/fiksirano u sredini/unatrag)
- B** Otvori za strujanje zraka
- C** LED lampica
- D** Kvadratni pogon
- E** Prekidač za uključivanje/isključivanje i za kontrolu brzine
- F** Gumb LED svjetla
- G** Gumb načina rada
- H** Gumb pokazivača napunjenosti baterije
- J** Područje spremnika za nastavke
- K** Područje za pričvršćivanje remena
- L** Kopčica remena
- M** Adapter*

*NIJE U STANDARDNOJ OPREMI

SIGURNOST

OPĆA UPOZORENJA U VEZI SIGURNOSTI ZA ELEKTRIČNI ALAT

⚠ UPOZORENJE Pročitajte sva upozorenja, upute, ilustracije u vezi sigurnosti i tehničke podatke isporučene s ovim električnim alatom. Zanemarivanje uputa navedenih u nastavku može rezultirati električnim udarom, požarom i/ili teškim ozljedama.

Sačuvajte sva upozorenja i sve upute za buduće potrebe.

Pojam "električni alat" u upozorenjima odnosi se na električni alat s napajanjem iz električne mreže (s kablom) ili na električni alat s napajanjem iz baterije (bez kabela).

1) SIGURNOST RADNOG PODRUČJA

- a) **Radno područje održavajte čistim i dobro osvijetljenim.** Pretrpana ili mračna područja izazivaju nesreće.
- b) **Električnim alatom ne rukujte u eksplozivnim atmosferama, primjerice u prisutnosti zapaljivih tekućina, plinova ili prašine.** Električni alat stvara iskre koje mogu zapaliti prašinu ili isparenja.
- c) **Udaljite djecu i promatrače za vrijeme rada s električnim alatom.** Ometanja mogu rezultirati gubitkom kontrole nad alatom.

2) ELEKTRIČNA SIGURNOST

- a) **Utikaçi električnog alata moraju odgovarati utičnici. Nikad ne radite preinake utikača. Utičače s adapterom nemojte koristiti s uzemljenim alatom.** Nepreinačeni utikači i odgovarajuće utičnice smanjit će rizik od električnog udara.
- b) **Izbjegavajte kontakt tijela s uzemljenim površinama, kao što su slavine, radijatori, peći i hladnjaci.** Rizik od električnog udara je veći ako je vaše tijelo uzemljeno.
- c) **Električni alat ne izlažite kiši ili mokrim uvjetima.** Prodor vode u električni alat povećat će rizik od električnog udara.
- d) **Kabel ne upotrebljavajte nepropisno. Kabel nemojte upotrebljavati za nošenje, povlačenje ili odspajanje električnog alata od električnog napajanja. Kabel držite dalje od izvora topline, ulja, oštirih rubova ili pokretnih dijelova.** Oštećeni ili prignječeni kabeli povećavaju rizik od električnog udara.
- e) **Kada električnim alatom radite na otvorenom, upotrebljavajte produžni kabel prikladan za uporabu na otvorenom.** Uporaba kabela prikladnog za uporabu na otvorenom smanjuje rizik od električnog udara.
- f) **Ako je rad s električnim alatom u području s parom neizbježan, upotrebljavajte napajanje sa zaštitnim uređajem diferencijalne struje (RCD).** Uporaba zaštitnog uređaja diferencijalne struje smanjuje rizik od strujnog udara.

3) OSOBNA SIGURNOST

- a) **Budite oprezni, gledajte što radite i vodite se načelima zdravog razuma kada radite s električnim alatom. Nemojte raditi s električnim alatom ako ste umorni ili pod utjecajem droge, alkohola ili lijekova.** Trenutak nepažnje tijekom rada s električnim alatom može rezultirati teškim tjelesnim ozljedama.
- b) **Upotrebljavajte osobnu zaštitnu opremu. Obavezno nosite zaštitu za oči.** Osobna zaštitna oprema kao što je maska protiv prašine, zaštitne cijevi s potplatama protiv klizanja, zaštitna kaciga ili štitnici za sluh, koja se koristi za odgovarajuća stanja, umanjit će opasnost od ozljede.
- c) **Sprječite nenamjerno pokretanje. Prije spajanja na izvor napajanja i/ili baterijski modul, uzimanja ili nošenja alata uvjerite se da se prekidač nalazi u isključenom položaju.** Nošenje električnih alata s prstom na sklopki ili napajanje električnih alata koji imaju uključenu sklopku izaziva nesreće.
- d) **Prije uključivanja električnog alata, uklonite sve ključeve za podešavanje ili stezne ključeve.** Ključ ili ključ za podešavanje ostavljen na rotacijskom dijelu električnog alata može rezultirati tjelesnim ozljedama.
- e) **Nemojte se naginjati preko alata. Cijelo vrijeme održavajte propisno držanje i ravnotežu.** To će

omogućiti bolju kontrolu nad električnim alatom u neočekivanim situacijama.

- f) **Obucite se prikladno. Ne nosite široku odjeću ili nakit. Kosu i odjeću držite dalje od pokretnih dijelova.** Široka odjeća, nakit ili duga kosa može se zahvatiti pokretnim dijelovima.
 - g) **Ako su uređaji opremljeni priključkom za odvod i sakupljanje prašine, pobrinite se da se propisno spoje i upotrebljavaju.** Uporaba takve opreme umanjuje opasnost koja nastaje nakupljanjem prašine.
 - h) **Nemojte dopustiti da vas poznavanje alata stečeno čestom uporabom učini samodopadnim te da zanemarite sigurnosna načela za alat.** Nepažljiv rad može rezultirati teškim ozljedama u djeliću sekunde.
- ## 4) UPORABA I NJEGA ELEKTRIČNOG ALATA
- a) **Ne forsirajte električni alat. Upotrebljavajte propisani električni alat za primjenu.** Propisani električni alat bolje će i sigurnije obaviti zadatak brzinom za koju je konstruiran.
 - b) **Ne upotrebljavajte električni alat ako ga sklopkom ne možete uključiti i isključiti.** Svaki električni alat koji se ne može kontrolirati sklopkom opasan je i potrebno ga je popraviti.
 - c) **Prije podešavanja, promjene nastavaka ili spremanja alata, odvojite utikač od električne utičnice i/ili izvadite baterijski modul iz alata, ako se može odvojiti.** Takve preventivne mjere sigurnosti smanjuju rizik od iznenadnog pokretanja električnog alata.
 - d) **Nekoristišeni električni alat spremite izvan dohvata djece i ne dopustite osobama koje ne poznaju električni alat ili ove upute da rade s električnim alatom.** Električni alati opasni su u rukama neobučениh korisnika.
 - e) **Održavajte električne alate i dodatnu opremu. Provjerite jesu li pokretni dijelovi centrirani ili spojeni, da nema polomljenih dijelova i da nema stanja koja mogu utjecati na rad električnog alata. Ako je oštećen, električni alat dajte na popravak prije uporabe.** Loše održavani električni alati uzrok su mnogih nesreća.
 - f) **Rezne alate održavajte oštima i čistima.** Propisno održavani rezni alati s oštirim reznim bridovima manje su sklони zaglavljivanju i lakši su za upravljanje.
 - g) **Električni alat, dodatnu opremu i alatne nastavke, itd., upotrebljavajte u skladu s ovim uputama, uzimajući u obzir radne uvjete i zadatak koji je potrebno obaviti.** Uporaba električnog alata za radove drukčija od namjenske može rezultirati opasnim situacijama.
 - h) **Rukohvate i površine rukohvata održavajte suhim, čistim i očišćenim od ulja i masti.** Skliski rukohvati i skliske površine rukohvata onemogućuju sigurno rukovanje i upravljanje alatom u neočekivanim situacijama.
- ## 5) UPORABA I NJEGA BATERIJSKOG ALATA
- a) **Punjenje obavljajte samo s punjačem kojeg je naveo proizvođač.** Punjač koji je prikladan za jedan tip baterijskog modula može stvoriti rizik od požara ako ga se upotrebljava s drugim baterijskim modulom.
 - b) **Električni alat upotrebljavajte samo s izričito propisanim baterijskim modulima.** Uporaba drugih baterijskih modula može stvoriti rizik od ozljeda i požara.
 - c) **Kad se baterijski modul ne upotrebljava, držite**

ga podalje od drugih metalnih predmeta poput spajalica za papir, kovanica, ključeva, čavala, vijaka ili drugih malih metalnih predmeta koji mogu međusobno spojiti kontakte. Kratko spajanje baterijskih kontakata može prouzročiti opekline ili požar.

- d) U slučaju neprimjerene uporabe, baterija može izbaciti tekućinu; izbjegavajte kontakt. Ako slučajno dođe do doticaja, mjesta doticaja isperite vodom. Ako tekućina dođe u doticaj s očima, dodatno potražite pomoć liječnika. Tekućina koju izbaci baterija može prouzročiti nadraženost kože ili opekline.
- e) Ne upotrebljavajte oštećen ili preinačen baterijski modul ili alat. Oštećene ili preinačene baterije mogu se ponašati nepredvidljivo i dovesti do požara, eksplozije ili opasnosti od ozljede.
- f) Baterijski modul ili alat ne izlažite vatri ili previsokoj temperaturi. Izrgavanje vatri ili temperaturi višoj od 130 °C može prouzročiti eksploziju.
- g) Pridržavajte se svih uputa za punjenje, a baterijski modul ili alat nemojte puniti izvan raspona temperature propisanog u uputama. Nepropisno punjenje ili punjenje pri temperaturama izvan propisanog raspona može oštetiti bateriju i povećati opasnost od požara.

6) SERVISIRANJE

- a) Servisiranje električnog alata prepustite kvalificiranom osoblju za popravak koje upotrebljava samo identične zamjenske dijelove. Time će se osigurati održavanje sigurnosti električnog alata.
- b) Ne servisirajte oštećene baterijske module. Servisiranje baterijskih modula smiju obavljati samo proizvođač ili ovlašteni serviseri.

SIGURNOSNE UPUTE ZA AKUMULATORSKI UDRANI KLJUČ

- Kada izvodite radnju gdje pričvršćivač može dotaknuti skriveno ožičenje, pridržavajte električni alat po izoliranim zahvatnim površinama (pričvršćivači u kontaktu sa žicom pod naponom mogu izložene metalne dijelove električnog alata također staviti pod napon, zbog čega rukovatelj može doživjeti električni udar)

OPĆENITO

- Prašina od materijala kao što su boje koje sadrže olovo, neke vrste drveća, minerali i metal mogu biti opasne (dodir s prašinom ili njeno udisanje mogu prouzročiti alergijske reakcije i/ili respiratorna oboljenja rukovatelja ili promatrača); nosite masku za zaštitu od prašine i radite s uređajem za ekstrakciju prašine ukoliko ga možete priključiti
- Određene vrste prašine klasificiraju se kao karcinogene (kao što su prašina hrastovine i bukovine), osobito u zajedno s aditivima za kondicioniranje drveta; nosite masku za zaštitu od prašine i radite s uređajem za ekstrakciju prašine ukoliko ga možete priključiti
- Nacionalni uvjeti za materijale s kojima želite raditi
- Ne obrađujte materijal koji sadrži azbest (azbest se smatra kancerogenim)
- Prije podešavanja, promjene pribora, prenošenja ili spremanja alata birač smjera rotacije AO2 obavezno postavite u srednji položaj (zaključano)

PRIBOR

- SKIL može osigurati besprijekoran rad uređaja samo ako

se koristi originalni pribor

- Upotrebljavajte pribor čija dopuštena brzina odgovara najvećoj brzini alata u praznom hodu

PRIJE UPORABE

- Izbjegavajte oštećenja od vijaka, čavala i sličnih predmeta na vašem izratku; prije početka rada ih izvadite
- Osigurajte izradak (izradak je sigurnije pričvršćen pomoću stezaljke ili škripca nego kad se drži rukom)
- Koristite prikladne uređaje za traženje napona kako bi se pronašli skriveni napojni vodovi ili se savjetuje s lokalnim distributerom (kontakt s električnim vodovima može dovesti do požara i električnog udara; oštećenje plinske cijevi može dovesti do eksplozije; probijanje vodovodne cijevi uzrokuje materijalne štete ili može uzrokovati električni udar)

BATERIJE

- Isporučena je baterija djelomično napunjena (da biste zajamčili potpuni kapacitet baterije, bateriju u potpunosti napunite punjačem prije prve uporabe električnog alata).
- S ovim alatom rabite samo sljedeće baterije i punjače
 - Baterija marke SKIL: BR1*31****
 - Punjač marke SKIL: CR1*31****
- Oštećenu bateriju nemojte koristiti; mora se odmah zamijeniti
- Ne rastavljajte bateriju
- Ne izlažite kiši alat/bateriju
- Dopuštena okolišna temperatura (uređaj/punjač/baterija):
 - kod punjenja 4...40°C
 - za vrijeme rada -20...+50 °C
 - za vrijeme skladištenja -20...+50 °C

POJAŠNJENJE SIMBOLA NA UREĐAJU/BATERIJI

- ③ Prije upotrebe pročitajte korisnički priručnik
- ④ U dodiru s vatrom baterije će eksplodirati, stoga ne spaljujte bateriju iz bilo kojih razloga
- ⑤ Alat/punjač/bateriju spremajte na mjestima gdje temperatura ne prelazi 50 °C
- ⑥ Električne alate i baterije na zbrinjavajte zajedno s kućnim otpadnim materijalom

RUKOVANJE

- Punjenje aku-baterije
 - ! pročitajte sigurnosna upozorenja i upute isporučene s punjačem
 - Uklanjanje/ugradnja baterije ②
 - Pokazivač napunjenosti baterije ⑦
 - pritisnite gumb pokazivača napunjenosti baterije H za prikaz trenutne razine baterije ⑦a
 - ! kada pokazivač najniže razine napunjenosti baterije počne treptati nakon pritiska gumba H⑦b, baterija je prazna
 - ! kada 2 pokazivača razine napunjenosti baterije počnu treptati nakon pritiska gumba H⑦c, baterija nije u dopuštenom rasponu radne temperature
 - Zaštitna baterije
 - Uređaj se iznenadno isključuje ili ne može uključiti, kada je
 - opterećenje previsoko --> uklonite opterećenje i ponovno pokrenite
 - temperatura baterije nije unutar dopuštenog raspona radne temperature od -20 do +50 °C --> 2 pokazivača razine napunjenosti baterije počnu treptati nakon pritiska gumba H⑦c; pričekajte dok se baterija ne vrati unutar dopuštenog raspona radne temperature

- **baterija je gotovo prazna (za zaštitu od dubokog pražnjenja)** --> niska razina baterije ili trepćuća niska razina baterije ⑦b prikazuje se putem pokazivača stanja napunjenosti baterije nakon pritiska gumba H; napunite bateriju

! nemojte dalje pritiscati sklopku za uključivanje/isključivanje nakon što se alat automatski isključio; time možete oštetiti bateriju

- Pričvršćivanje kopče za remen ⑧
 - pričvrstite kopču za remen L na ključ priloženim vijkom
- Promjena smjera rotacije ⑨
 - ako položaj lijevo/desno nije ispravno postavljen, prekidač E② ne može se aktivirati

! smjer rotacije mijenjajte samo kad alat miruje

- Kombinirana sklopka za uključivanje/isključivanje ⑩ i regulaciju brzine ⑪
 - većim ili manjim pritiskom na E②, brzina se može kontinuirano regulirati od nule do maksimalne brzine vrtnje

- LED svjetlo ⑫

- LED-svjetlo se uključuje kada se aktivira prekidač za uključivanje/isključivanje E ili pritiskom na gumb LED svjetla F ili gumb načina rada G
- Pritisnite gumb LED svjetla za odabir željene svjetline:
 - Niska svjetlina** - isključuje se cca. 10 s nakon otpuštanja prekidača za uključivanje/isključivanje
 - Visoka svjetlina** - isključuje se cca. 600 s nakon otpuštanja prekidača za uključivanje/isključivanje

! Kad LED svjetlo počne brzo treptati, aktivira se zaštita baterije (pogledajte prethodno)

- Odabir načina rada ⑬
 - pritisnite gumb načina rada G za odabir željenog načina rada:

Način rada male brzine (svjetlo „1” svijetli zeleno) ⑬a

- zatezanje s manjim momentom i malom brzinom
- za male klinove i vijke

Način rada srednje brzine (svjetla „1&2” svijetle zeleno) ⑬b

- zategnite srednjim momentom i brzinom
- za vijke u primjeni srednjeg opterećenja

Način rada velike brzine (svjetla „1&2&3” svijetle zeleno) ⑬c

- jače stezanje i pri velikoj brzini
- za velike vijke i svornjake

Reverzni kontrolni način rada (svjetlo „RM” svijetli zeleno) ⑬d

- za olabavlivanje vijaka i matica
- zaustavlja se kada se vijak ili matica olabavi

! kontrolni način moguć je samo uz rotaciju prema natrag; kod rotacije prema naprijed upotrebljava se za veliku brzinu

! načini rada mogu se mijenjati samo kada su zelena LED svjetla aktivirana i kada je alat potpuno zaustavljen

- Ugradnja i uklanjanje grla ⑭
 - za ugradnju grlo, jednostavno ga gurnite na kvadratni pogon D
 - da biste uklonili grlo, jednostavno ga skinite s kvadratnog pogona D

! koristite samo grla s kvadratnim pogonom od 3/8 inča ⑭a

! Za grla s kvadratnim pogonom od 1/2" 1⑭b upotrebljavajte adapter M.

! nemojte koristiti oštećena grla

- Držanje i vođenje alata ⑮
- ! za vrijeme rada, alat držite samo na sivo označenim područjima drške**
 - otvori za ventilaciju B② moraju biti nepokriveni
 - ne djelujte prevelikim pritiskom na alat; ostavite alat da radi za vas

SAVJETI ZA PRIMJENU

- Treba koristiti odgovarajuće bitove
- Kod uvijanja vijka na prednjem ili stražnjem dijelu nekog izratka od drva, treba se prethodno izbušiti rupa, kako bi se izbjeglo kаланje drva
- Za optimalnu uporabu alata potreban je stalni pritisak na vijak, posebno tijekom odvijanja
- Kod uvijanja vijka u tvrdo drvo treba se prethodno izbušiti rupa
- Za više informacija posjetite www.skil.com

ODRŽAVANJE/SERVISIRANJE

- Ovaj alat nije namijenjen profesionalnoj upotrebi
- Održavajte čistoću alata (osobito otvore za ventilaciju B②)
- ! Bateriju uklonite iz alata prije čišćenja**
- Ako bi alat unatoč brižljivih postupaka izrade i ispitivanja ipak prestao raditi, popravak treba prepustiti ovlaštenom servisu za SKIL električne alate
 - pošaljite alat nerastavljen, zajedno s računom o kupnji u najbližu SKIL ugovornu servisnu radionicu (adrese servisa kao i oznake rezervnih dijelova alata možete naći na adresi www.skil.com)
 - Imajte na umu kako jamstvo ne obuhvaća štete nastale zbog preopterećenja ili nepravilnog rukovanja alatom (za uvjete iz SKIL jamstva, posjetite www.skil.com ili upitajte svog prodavača)

ZAŠTITA OKOLIŠA

- **Električne alate, baterije, pribor i ambalažu ne bacajte u kućni otpad (samo za zemlje EU)**
 - prema Europskoj direktivi 2012/19/EG o staroj električnoj i elektroničkoj opremi i njejoj primjeni u skladu sa nacionalnim zakonom, istrošeni električni alati moraju se sakupljati odvojeno i odvesti u posebne pogone za reciklažu
 - na to vas podsjeća simbol ⑯ kada se javi potreba za odlaganjem
- ! prije zbrinjavanja, zaštitite kontakte baterije izolir trakom kao ne bi došlo do kratkog spoja**

BUKA/VIBRACIJA

- Mjerene u skladu s normom EN 62841, razina zvučnog tlaka ovoga alata je 88 dB(A), a razina zvučne snage je 99 dB(A) (nesigurnost K = 3 dB) i vibracije su 9,1 m/s² (vektorski zbroj u tri osi; nesigurnost K = 1,5 m/s²)
- Razina emitiranja vibracija izmjerena je sukladno normiranom testu danom u EN 62841; ona se može koristiti za usporedbu jedne alatke s drugom, te preliminarnu procjenu izloženosti vibracijama pri uporabi alatke za navedene namjene
 - uporaba alata za druge namjene ili s drugim ili slabo održavanim priborom može u značajnoj mjeri povećati razinu izloženosti
 - vrijeme tijekom kojega je alat isključen ili je uključen

ali se njime ne radi može značajno smanjiti razinu izloženosti

! zaštitite se od posljedica vibracija održavanjem alata i njegovog pribora, održavanjem topline ruku, te organiziranjem načina rada

SRB

Bežični udarni odvijač bez četkica

3265

UVOD

- Ovaj alat je namenjen za pritezanje i otpuštanje zavrtanjeva i šrafova
- Ovaj alat nije namenjen za profesionalnu upotrebu
- U slučaju da delovi nedostaju ili su oštećeni, kontaktirajte svog prodavca
- **Pre upotrebe pažljivo pročitajte ovaj priručnik sa uputstvima i sačuvajte ga za buduću upotrebu** ③
- **Posebno obratite pažnju na uputstva o bezbednosti i upozorenja; ukoliko ih ne sledite može da dođe do ozbiljnih povreda**

TEHNIČKI PODACI ①

Maks. obrtni momenat tvrdog zavrtanja prema ISO 5393: 250Nm

ELEMENTI ALATA ②

- A** Selektor smera rotacije (napred/centar-stop/nazad)
- B** Prorezi za ventilaciju
- C** LED-svetlo
- D** Kvadratna vodiča
- E** Prekidač za uključivanje/isključivanje i kontrolu brzine
- F** Dugme za LED svetlo
- G** Dugme za režim
- H** Dugme indikatora nivoa baterije
- J** Skladište za bitove
- K** Mesto za pričvršćivanje kaiša
- L** Štipaljka za kaiš
- M** Adapter*

*NIJE STANDARDNO PRILOŽENO

SIGURNOST

OPŠTA SIGURNOSNA UPOZORENJA ZA ELEKTRIČNI ALAT

! UPOZORENJE Pročitajte sva sigurnosna upozorenja, uputstva, ilustracije i specifikacije priložene uz ovaj električni alat. Nepridržavanje svih dolenađenih uputstava može da dovede do strujnog udara, požara i/ili ozbiljne povrede.

Sačuvajte sva upozorenja i uputstva za buduću upotrebu.

Pojam „električni alat“ u upozorenjima označava električni alat (sa žicom) koji se uključuje u utičnicu ili električni alat (bežični) na baterije.

1) BEZBEDNOST NA RADNOM PODRUČJU

- Održavajte radno područje čistim i dobro osvetljenim.** Na pretrpanim ili mračnim područjima su veće šanse da dođe do nezgoda.
 - Ne koristite električne alate u eksplozivnim atmosferama, kao na primer u prisustvu zapaljivih tečnosti, gasova ili prašine.** Električni alat stvara vrnice koje mogu zapaliti prašinu ili isparenja.
 - DRžite decu i prolaznike podalje dok koristite električni alat.** Ako vam nešto odvrati pažnju, možete izgubiti kontrolu.
- ### 2) ELEKTRIČNA BEZBEDNOST
- Utičač električnog alata mora odgovarati utičnici. Nikada ne modifikujete utikač ni na koji način. Ne koristite adapterske utikače sa uzemljenim električnim alatom.** Nemodifikovani utikači i odgovarajuće utičnice će smanjiti rizik od strujnog udara.
 - Izbegavajte kontakt delova tela sa uzemljenim površinama, poput cevi, radiatora, šporeta i frižidera.** Postoji povećan rizik od strujnog udara ako je vaše telo uzemljeno.
 - Ne izlažite električne alate kiši ili mokrim uslovima.** Voda koja uđe u električni alat povećava rizik od strujnog udara.
 - Nemojte zloupotrebljavati kabl. Nikada ne koristite kabl za nošenje, vučenje ili isključivanje iz utičnice električnog alata. Čuvajte kabl podalje od toplote, ulja, oštih ivica ili pokretnih delova.** Oštećeni ili upetljani kablovi povećavaju rizik od strujnog udara.
 - Kada koristite električni alat na otvorenom prostoru, koristite produžni kabl pogodan za korišćenje na otvorenom prostoru.** Upotreba kabla pogodnog za korišćenje na otvorenom prostoru smanjuje rizik od strujnog udara.
 - Ako je korišćenje električnog alata u vlažnom području neizbežno, koristite izvor napajanja sa zaštitnim uređajem diferencijalne struje (RCD).** Korišćenje RCD smanjuje rizik od strujnog udara.
- ### 3) LIČNA BEZBEDNOST
- Ostanite u pripravnosti, pazite šta radite i koristite zdrav razum kada koristite električni alat. Ne koristite električni alat kada ste umorni ili pod uticajem droga, alkohola ili lekova.** Trenutak nepažnje kada koristite električni alat je dovoljan da izazove ozbiljne telesne povrede.
 - Koristite ličnu zaštitnu opremu. Uvek nosite zaštitu za oči.** Zaštitna oprema poput maske za prašinu, radnih cipela koje se ne klizaju, šlema ili zaštite sluha će, kada se koristi za odgovarajuće uslove, smanjiti telesne povrede.
 - Sprečite nehotično pokretanje. Osigurajte da prekidač bude u isključenom položaju pre povezivanja na izvor napajanja i/ili bateriju, podizanja ili nošenja alata.** Nošenje električnih alata sa prstom na prekidaču ili uključivanje u utičnicu električnih alata čiji prekidač je u uključenom položaju priziva nezgode.
 - Uklonite sve ključeve za podešavanje pre uključivanja električnog alata.** Ključ koji ostane pričvršćen za rotacioni deo električnog alata može da izazove telesnu povredu.
 - Ne presežite. U svakom trenutku održavajte pravilan položaj nogu i ravnotežu.** To omogućava bolju kontrolu električnog alata u neočekivanim situacijama.
 - Prikladno se obucite. Nemojte nositi široku odeću ili**

nakit. Držite kosu i odeću dalje od pokretnih delova. Labava odeća, nakit ili duga kosa mogu da se zakače pokretnim delovima.

- g) Ako su priloženi uređaji za povezivanje delova za izbacivanje i prikupljanje prašine, osigurajte da oni budu povezani i da se pravilno koriste.** Upotreba kolektora prašine može da smanji opasnosti koje izaziva prašina.
- h) Ne dozvolite da zbog poznavanja koje ste stekli kroz čestu upotrebu alata postanete samozadovoljni i ignorišete principe bezbednosti alata.** Nemarni postupak može da izazove ozbiljnu povredu u deliću sekunde.
- 4) UPOTREBA I ODRŽAVANJE ELEKTRIČNOG ALATA**
- a) Ne silite električni alat. Koristite odgovarajući električni alat za ono što radite.** Odgovarajući električni alat uradiće posao bolje i bezbednije onom brzinom za koju je dizajniran.
- b) Ne koristite električni alat ako ga prekidač ne uključuje i isključuje.** Svaki električni alat koji se ne može kontrolisati prekidačem je opasan i mora se popraviti.
- c) Izvucite utikač iz izvora napajanja i/ili izvadite bateriju, ako je odvojiva, iz električnog alata pre bilo kakvog podešavanja, menjanja dodatka ili skladištenja električnog alata.** Takve preventivne sigurnosne mere smanjuju rizik od nehotičnog startovanja električnog alata.
- d) Skladištite isključene električne alate van domašaja dece i ne dozvolite osobama koje nisu upoznate sa ovim električnim alatom ili ovim uputstvom da rukuju električnim alatom.** Električni alat je opasan u rukama nekvalifikovanih korisnika.
- e) Održavajte električni alat i dodatke. Proverite pravilno poravnanje ili spojeve pokretnih delova, lomljenje delova i sva druga stanja koja mogu da utiču na rad električnog alata. Ako je oštećen, odnesite električni alat na popravku pre upotrebe.** Mnoge nezgode su izazvane loše održanim električnim alatom.
- f) Održavajte alate koji seku ostrim i čistim.** Pravilno održavani alati za sečenje sa ostrim ivicama za sečenje se ređe zapetljavaju i lakše se kontrolišu.
- g) Koristite električni alat, dodatke, delove itd. u skladu sa ovim uputstvom, uzimajući u obzir radne uslove i rad koji treba obaviti.** Korišćenje električnog alata za rad drugačiji od predviđenog moglo bi da dovede do opasne situacije.
- h) Održavajte drške i površine koje hvatate suvim, čistim i bez ulja i masnoće.** Klizave drške i površine koje hvatate ne omogućavaju bezbedno rukovanje i kontrolu alata u neočekivanim situacijama.
- 5) UPOTREBA I ODRŽAVANJE ALATA NA BATERIJE**
- a) Punite samo punjačem koji navodi proizvođač.** Punjač koji je prikladan za jedan tip baterije može da stvori opasnost od požara kad se koristi sa nekom drugom baterijom.
- b) Koristite električni alat samo sa konkretno imenovanim baterijama.** Upotreba bilo kakvih drugih baterija može da stvori rizik od povrede i požara.
- c) Kad se baterija ne koristi, držite je dalje od drugih metalnih predmeta, poput spjalica, novčića, ključeva, eksera, vijaka ili drugih malih metalnih**

predmeta koji mogu da naprave spoj jednog terminala sa drugim. Kratak spoj terminala baterije može da izazove opekotine ili požar.

- d) U ekstremnim uslovima može doći do curenja tečnosti iz baterije; izbegavajte kontakt sa njom. Ako dođe od nehotičnog kontakta, isperite vodom. Ako tečnost dođe u kontakt sa očima, takođe potražite i medicinsku pomoć.** Tečnost iz baterije može da izazove iritaciju ili opekotine.
- e) Ne koristite bateriju ili alat koji su oštećeni ili modifikovani.** Oštećene ili modifikovane baterije mogu da ispolje nepredvidivo ponašanje, dovodeći do požara, eksplozije ili rizika od povrede.
- f) Ne izlažite bateriju ili alat vatri ili previsokoj temperaturi.** Izlaganje vatri ili temperaturi iznad 130 °C može izazvati eksploziju.
- g) Pratite sva uputstva za punjenje i ne punitite bateriju ali izvan temperaturnog opsega navedenog u uputstvima.** Punjenje na nepravilan način ili na temperaturama izvan navedenog opsega može da ošteti bateriju i poveća rizik od požara.
- 6) SERVIS**
- a) Odnosite električni alat na servisiranje kod kvalifikovanog serviseru koji će koristiti samo identične rezervne delove.** To će osigurati da bezbednost električnog alata bude održana.
- b) Nikad ne servisirajte oštećene baterije.** Servisiranje baterija treba da radi samo proizvođač ili ovlašćeni servis.

BEZBEDNOSNA UPUTSTVA ZA BEIČNI UDARNI ODVIJAČ KLJUČ

- **Držite električni alat za izolovane površine za hvatanje kad izvodite radove gde učvršćivač može da dodirne skrivene žice** (kad učvršćivač dodirne „živu“ žicu, i izloženi metalni delovi električnog alata mogu da dođu pod napon i izazovu strujni udar kod rukovaoca)

OPŠTA

- Prašina od materijala poput farbe koja sadrži olovo, nekih vrsta drveta, minerala i metala može biti škodljiva (dodir sa tom prašinom ili njeno udisanje mogu izazvati alergijske reakcije i/ili respiratorne bolesti kod rukovaoca ili posmatrača); **nosite masku za prašinu i radite sa uređajem za uklanjanje prašine kad ga je moguće spojiti**
- Određene vrste prašine se klasifikuju kao karcinogene (poput prašine od hrasta i bukve), naročito u kombinaciji sa aditivima za kondicioniranje drveta; **nosite masku za prašinu i radite sa uređajem za uklanjanje prašine kad ga je moguće spojiti**
- Prati nacionalne propise vezane za prašinu koja se proizvodi prilikom rada na obrađivanim materijalima
- Ne radite sa materijalima koji sadrže azbest (azbest se smatra karcinogenim)
- Uverite se da je birač smer-rotacije AO2 u srednjoj poziciji (blokada) pre nego što počnete da podešavate alat, menjate pribor ili nosite alat

PRIBOR

- SKIL može da osigura besprekorno funkcionisanje alata samo kad se koriste originalni dodaci
- Koristite samo pribor čija je dozvoljena brzina u najmanju ruku jednaka najvećoj brzini pri praznom hodu alata

PRE UPOTREBE

- Izbegavajte oštećenja od šrafova, eksera i drugih predmeta na vašem području rada; uklonite ih pre nego što započnete rad
- **Učvrstite radni predmet** (radni predmet stegnut pomoću stega ili nečeg sličnog je mnogo stabilniji nego kada se drži rukom)
- **Koristite odgovarajuće detektore da biste pronašli skrivene vodove ili pozovite lokalnu kompaniju radi pomoći** (dodir sa električnim vodovima može dovesti do požara ili strujnog udara; oštećenje gasnog voda može dovesti do eksplozije; probijanje vodovodne cevi će izazvati imovinsku štetu ili strujni udar)

BATERIJE

- **Baterija se isporučuje delimično napunjena** (da biste osigurali pun kapacitet baterije, bateriju napunite do kraja u punjaču baterije pre prvog korišćenja električnog alata)
- **Koristite samo sledeće baterije i punjače sa ovim alatom**
 - SKIL baterija: BR1*31****
 - SKIL punjač: CR1*31****
- Nemojte koristiti oštećenu bateriju; odmah je treba zameniti
- Nemojte da rastavljate bateriju
- Nemojte izlagati alat/bateriju kiši
- Dozvoljena ambijentalna temperatura (alat/punjač/baterija):
 - tokom punjenja od 4 do 40 °C
 - tokom rada od -20 do +50 °C
 - tokom skladištenja od -20 do +50 °C

OBJAŠNJENJE SIMBOLA NA ALATU/BATERIJI

- ③ Pročitajte uputstvo za korišćenje pre prve upotrebe
- ④ Baterije će eksplodirati ako se izlože vatri, zato nikada ne palite baterije
- ⑤ Čuvajte alat/punjač/bateriju na mestima gde temperatura neće preći 50 °C
- ⑥ Ne odlazite električne alate i baterije u kućni otpad

UPUTSTVO ZA KORIŠĆENJE

- Punjenje baterije
 - ! **pročitajte bezbednosna upozorenja i uputstva priložena uz punjač**
- Uklanjanje/instaliranje baterije ②
- Indikator nivoa baterije ⑦
 - pritisnite dugme H indikatora nivoa baterije da bi se prikazao trenutni nivo baterije ⑦a
 - ! **kada najniži nivo indikatora baterije počne da treperi nakon pritiska dugmeta H ⑦b, baterija je prazna**
 - ! **kada 2 nivoa indikatora baterije počnu da trepere nakon pritiska na dugme H ⑦c, baterija nije u dozvoljenom opsegu radne temperature**
- Zaštita baterije
 - Alat se iznenada isključuje ili ne može da se uključi kada je
 - **opterećenje je preveliko** -> uklonite opterećenje i restartujte
 - **temperatura baterije nije u dozvoljenom radnom opsegu temperature od -20 do +50 °C** --> 2 nivoa indikatora za nivo baterije počinju da trepere kada pritisnete dugme H ⑦c; sačekajte dok se baterija ne vrati u dozvoljeni radni opseg temperature
 - **baterija je skoro prazna (za zaštitu od prekomernog pražnjenja)** --> nizak nivo baterije ili

treperenje za nizak nivo baterije ⑦b se prikazuju na indikatoru za nivo baterije kada se pritisne dugme H; napunite bateriju

! nemojte nastaviti da pritiskate prekidač za uključivanje/isključivanje nakon automatskog isključivanja alata; baterija se može oštetiti

- Pričvršćivanje štipaljke za kaiš ⑧
 - pričvrstite štipaljku za kaiš L na ključ pomoću priloženog vijka
- Izmena smera rotacije ⑨
 - ako nije pravilno postavljen u levi/desni položaj, prekidač E ② se ne može aktivirati
- ! **menjajte smer rotacije samo kada alat potpuno miruje**
- Kombinovani prekidač za uključivanje/isključivanje ⑩ i kontrolu brzine ⑪
 - kontrolišite brzinu od nulte do maksimalne bez međukoraka primenivanjem manjeg ili većeg pritiska na E ②
- LED svetlo ⑫
 - LED-svetlo se uključuje prilikom aktiviranja prekidača za uključivanje/isključivanje E ili pritiskanja dugmeta LED-svetlo F ili režim dugmeta G
 - Pritisnite dugme LED svetla da biste izabrali željenu jačinu:
 - Mala jačina** - isključuje se otprilike 10 sekundi nakon otpuštanja prekidača za uključivanje/isključivanje
 - Velika jačina** - isključuje se otprilike 600 sekundi nakon otpuštanja prekidača za uključivanje/isključivanje
 - ! **Kada LED svetlo počne ubrzano da treperi, aktivira se zaštita baterije (pogledajte iznad)**
- Biranje režima ⑬
 - pritisnite dugme režima G da biste izabrali željeni režim:
 - Režim male brzine (lampica 1 svetli zeleno) ⑬a**
 - zatezanje sa manje obrtnog momenta i pri malim brzinama
 - za male zavrtnje i šrafove
 - Režim srednje brzine (svetla „1 i 2“ sijaju zeleno) ⑬b**
 - zatezanje sa srednjim obrtnim momentom i brzinom
 - za srednje vijke
 - Režim velike brzine (lampice 1, 2 i 3 svetle zeleno) ⑬c**
 - zatezanje sa velikim obrtnim momentom i brzinom
 - za velike vijke i navrtke
 - Režim obrnute kontrole (svetlo „RM“ sija zeleno) ⑬d**
 - za odvrtnje zavrtnja i matica
 - zaustavlja se kada su zavrtnji ili matica olabavljeni
 - ! **kontrolni režim je samo dostupan uz obrnutu rotaciju, u prednjoj rotaciji koristi se za visoku brzinu**
 - ! **režim se može promeniti samo kada su zeleni LED(ovi) aktivirani i kad je alat u kompletnom mirovanju**
 - Instaliranje i uklanjanje utičnica ⑭
 - da biste instalirali element, jednostavno je gurnite na kvadratnu vodiču D
 - za uklanjanje element, jednostavno je izvucite iz kvadratne vodiče D
 - ! **koristite samo priključke sa 3/8" kvadratnom vodičom ⑭a**
 - ! **koristite adapter M za priključke sa kvadratnom vodičom od 1/2", ⑭b**
 - ! **nemojte koristiti oštećene elemente**

- Držanje i upravljanje alata ¹⁵
- ! tokom rada, uvek držite alat za područja za hvatanje sive boje
- držite proreze za ventilaciju B ² nepokrivene
- ne pritiscati alat previše; pustite da alat sam radi

SAVETI ZA PRIMENU

- Koristiti odgovarajuće bitove
- Pri uvrtanju šrafova na krajevima drveta prvo treba izbušiti malu rupu da bi se izbeglo listanje drveta
- Za optimalno korišćenje alata potreban je stalan pritisak na šraf, posebno pri odstranjivanju istih
- Ako uvrćete šraf u tvrdo drvo potrebno je prethodno izbušite rupu
- Za više informacija pogledajte www.skil.com

ODRŽAVANJE/SERVIS

- Ovaj alat nije namenjen za profesionalnu upotrebu
- Uvek održavajte alat čistim (posebno otvore za ventilaciju B ²)
- ! Pre čišćenja uklonite bateriju iz alata
- Ako bi alat i pored brižljivog postupka izrade i kontrole nekada otkazao, popravku mora vršiti neki autorizovani servis za SKIL električne alate
- pošaljite nerasklopljeni alat zajedno sa dokazom kupovine vašem prodavcu ili najbližoj SKIL servisnoj stanici (adrese kao i servisni dijagram alata možete naći na www.skil.com)
- Imajte na umu da za oštećenja nastala usled preopterećivanja ili nepravilnog rukovanja neće važiti garancija (za uslove SKIL garancije posetite www.skil.com ili pitajte svog prodavca)

ZAŠTITA OKOLINE

- **Električne alate, baterije, pribor i ambalažu ne odlažite u kućne otpatke** (samo za EU-države)
- prema Evropskoj direktivi 2012/19/EC o otpadnoj električnoj i elektronskoj opremi i njenoj primeni u skladu sa nacionalnim zakonodavstvom, električni alati koji su došli do kraja svog radnog veka moraju biti prikupljeni zasebno i oduzeti u ekološki pogon za reciklažu
- simbol ⁶ će vas podsetiti na to kada se potreba za odlaganjem pojavi
- ! **da bi se izbegli kratki spojevi, terminale baterije treba zaštititi debljom samolepljivom trakom pre odlaganja na otpad**

BUKA/VIBRACIJA

- Mereno u skladu sa EN62841, nivo zvučnog pritiska ovog alata je 88 dB(A), nivo zvučne snage je 99 dB(A) (nesigurnost K = 3 dB), a vibracija je 9,1 m/s² (troosni vektorski zbir; nesigurnost K = 1,5 m/s²)
- Nivo emisije vibracija izmeren je u skladu sa standardizovanim testom datim u EN62841; on se može koristiti za poredjenje jednog alata sa drugim, kao i za preliminarnu procenu izloženosti vibracijama pri korišćenju ovog alata za pomenute namene
- korišćenje alata u drugačije svrhe ili sa drugačijim ili slabo održanim priborom može značajno povećati nivo izloženosti
- vreme kada je alat isključen ili kada je uključen ali se

njime ne radi može značajno smanjiti nivo izloženosti

! zaštitite se od posledica vibracija tako što ćete održavati alat i pribor, voditi računa da vam ruke budu tople i organizovati svoj rad

SLO

Brezkrtični akumulatorski udarni ključ 3265

UVOD

- To orodje je namenjeno privijanju i odvijanju vijakova ter sornikova.
- Orodje ni namenjeno profesionalni uporabi.
- V primeru manjkajočih ali okvarjenih delov se obrnite na prodajalca.
- **Pred uporabo pažljivo preberite navodila za uporabu in jih shranite, da jih boste lahko uporabljali tudi v prihodnosti** ³
- **Posebno pozornost namenite navodilom in opozorilom o varnosti; če jih ne boste upoštevali, lahko pride do hudih poškodb.**

TEHNIČNI PODATKI ¹

Najv. zatezni moment pri trdem vijačenju po ISO 5393: 250Nm

DELI ORODJA ²

- A** Smerno izbirno stikalo (naprej/sredinski položaj za zaklep/vzratno).
- B** Ventilacijske reže
- C** Lučka LED
- D** Štiri robovi nastavke
- E** Vkljopno/izkljopno stikalo in stikalo za nadzor hitrosti
- F** Gumb za lučko LED
- G** Gumb za izbiro načina
- H** Gumb indikatorja za napolnjenost akumulatorja
- J** Prostor za shranjevanje nastavkov
- K** Območje pritrditve traku
- L** Pasna sponka
- M** Adapter*

*NI DEL STANDARNE OPREME

VARNOST

SPLOŠNA VARNOSTNA OPOZORILA ZA ELEKTRIČNA ORODJA

⚠ OPOZORILO Preberite vsa varnostna opozorila, navodila, slike in tehnične podatke, ki so priloženi temu električnemu orodju. Zaradi neupoštevanja spodaj navedenih navodil lahko pride do električnega udara, požara in/ali hudih telesnih poškodb.

Vsa opozorila in navodila shranite za kasnejšo uporabo.

Izraz »električno orodje« v opozorilih se nanaša na orodja, ki jih poganja električni tok (žična), ali na akumulatorska (brežžična) orodja.

1) VARNOST DELOVNEGA OBMOČJA

- a) Delovno območje naj bo čisto in dobro osvetljeno.

Na neurejenih ali temnih območjih se hitro zgodijo nesreče.

- b) **Električnega orodja ne upravljajte v eksplozivnih okoljih, na primer ob prisotnosti vnetljivih tekočin, plinov ali prahu.** Električno orodje ustvarja iskre, ki lahko povzročijo vžig prahu ali hlajpov.
- c) **Med uporabo električnega orodja v bližino ne pustite otrok in drugih ljudi.** Zaradi motenj lahko izgubite nadzor.
- 2) **ELEKTRIČNA VARNOST**
- a) **Vtiči električnih orodij se morajo prilegati vtičnicam. Vtiča nikoli ne smete spreminjati na kakršen koli način. Z ozemljenimi električnimi orodji ne uporabljajte adapterjev.** Nespremenjeni vtiči in pripadajoče vtičnice bodo zmanjšali tveganje električnega udara.
- b) **Izogibajte se telesnemu stiku z ozemljenimi površinami, kot so cevi, statorji, štedilniki in hladilniki.** Če je vaše telo ozemljeno, obstaja povečano tveganje električnega udara.
- c) **Orodja ne izpostavljajte dežju ali vlažnim vremenskim pogojem.** Če v električno orodje zaide voda, obstaja večja možnost električnega udara.
- d) **Ne poškodujte električnega kabla. Kabla nikoli ne uporabljajte za nošenje, vlečenje ali odklapanje električnega orodja. Kabel hranite stran od vročine, olja, ostrih robov ali premikajočih se delov.** Poškodovani ali zapleteni kabli povečajo tveganje električnega udara.
- e) **Med zunanjo uporabo električnega orodja uporabljajte podaljšek, ki je primeren za zunanjo uporabo.** Uporaba kabla, primerne za zunanjo uporabo, znižuje tveganje električnega udara.
- f) **Če je uporaba električnega orodja na vlažnem mestu neizogibna, uporabite napajanje, zaščiten z napravo na diferenčni tok.** Uporaba te naprave bo zmanjšala nevarnost električnega udara.
- 3) **OSEBNA VARNOST**
- a) **Med uporabo električnega orodja bodite pozorni, spremljajte potek dela in uporabljajte zdrav razum. Električnega orodja ne uporabljajte, kadar ste utrujeni ali pod vplivom drog, alkohola ali zdravil.** Trenutek nepazljivosti med uporabo električnega orodja lahko povzroči hude telesne poškodbe.
- b) **Uporabljajte osebno varovalno opremo. Vedno uporabljajte zaščito za oči.** Če v različnih okoliščinah nosite ustrezno varovalno opremo, kot so maska proti prahu, obutev z nedrsečim podplatom, trdno pokrivalo glave in zaščita za sluh, zmanjšate možnost telesnih poškodb.
- c) **Preprečite neželen zagon. Pred priklopom na vir napajanja in/ali priklopom akumulatorskega sklopa ter pred dvigovanjem ali nošenjem orodja se prepričajte, da je stikalo v položaju za izklop.** Prenajanje električnih orodij s prstom na stikalo ali napajanje električnih orodij, pri katerih je stikalo v položaju za vklop, povzroči tveganje za nesreče.
- d) **Pred vklopom električnega orodja odstranite morebitne nastavitvene ključe ali viličaste ključe.** Viličasti ali drug ključ, ki je pritrjen na vrtljivi del električnega orodja, lahko povzroči telesne poškodbe.
- e) **Ne stegujete se preveč. Pazite, da ves čas stojite stabilno in ohranjate ravnotežje.** To omogoča boljši

nadzor nad električnim orodjem v nepričakovanih situacijah.

- f) **Bodite primerno oblečeni. Ne nosite ohlapnih oblačil ali nakita. Pazite, da lasje in oblačila ne pridejo v bližino gibljivih delov.** Ohlapna oblačila, nakit ali dolgi lasje se lahko zapletejo v gibljive dele.
- g) **Če imate na voljo naprave za sesanje in zbiranje prahu, preverite, ali so priključene in ali se ustrezno uporabljajo.** Uporaba naprav za zbiranje prahu lahko zmanjša nevarnosti, povezane s prahom.
- h) **Čeprav dobro poznate orodje zaradi pogoste uporabe, ne postanite ravnodušni in ne prezirajte varnostnih načel orodja.** Nepazljivost pri uporabi lahko povzroči hude telesne poškodbe v delcu sekunde.
- 4) **UPORABA IN NEGA ELEKTRIČNEGA ORODJA**
- a) **Električnega orodja ne preobremenjujte. Uporabite električno orodje, ki je primerno za vaše delo.** Ustrezno električno orodje bo nalogo opravilo bolje in varneje pri zmogljivosti, za katero je bilo zasnovano.
- b) **Ne uporabljajte električnega orodja, če ga ni mogoče vklopiti s stikalom.** Kakršno koli električno orodje, ki ga ni mogoče nadzirati s stikalom, je nevarno in ga je potrebno popraviti.
- c) **Odklopite vtič iz vira napajanja in/ali odstranite baterijski sklop, če je smeljav, preden opravite kakršne koli prilagoditve, menjate nastavke ali shranite električno orodje.** Tovrstni preventivni varnostni ukrepi zmanjšujejo tveganje nenamernega zagona električnega orodja.
- d) **Električna orodja, ki niso v uporabi, shranjujte izven dosega otrok in ne dovolite, da bi električno orodje uporabljale osebe, ki niso seznanjene z električnim orodjem ali s temi navodili.** Električno orodje je v rokah neusposobljenih uporabnikov nevarno.
- e) **Električna orodja in dodatke vzdržujte. Preverite morebitno nevarnost ali povezavo premikajočih se delov, zlome delov ali morebitno drugačno stanje, ki bi lahko vplivalo na delovanje električnega orodja. Če je električno orodje poškodovano, ga pred ponovno uporabo nesite na popravilo.** Mnogo nesreč se pripeti zaradi slabo vzdrževanih električnih orodij.
- f) **Rezalna orodja naj bodo vedno nabrušena in čista.** Pravilno vzdrževana rezalna orodja z ostrimi rezili se težje zaskečijo in jih je lažje nadzirati.
- g) **Električno orodje, dodatke, dele orodja itd. uporabljajte v skladu s temi navodili, pri tem pa upoštevajte delovne pogoje in delo, ki ga goste opravljali.** Če boste električno orodje uporabljali za neustrezne namene, lahko pride do nevarnih situacij.
- h) **Ročaji in prijemalne površine naj bodo suhe, čiste in brez madežev olja ali masti.** Drseči ročaji in prijemalne površine ne omogočajo varnega ravnanja in nadzorovanja orodja v nepričakovanih situacijah.
- 5) **UPORABA IN VZDRŽEVANJE AKUMULATORSKEGA ORODJA**
- a) **Baterijo polnite le s polnilnikom, ki ga določa proizvajalec.** Polnilnik, ki je primeren za eno vrsto akumulatorskih baterij, morda lahko povzroči nevarnost požara, če z njim polnite drugo vrsto akumulatorske baterije.
- b) **Akumulatorska orodja uporabljajte samo s predpisano vrsto akumulatorskih baterij.** Uporaba

katerih koli drugih akumulatorskih baterij lahko povzroči tveganje za telesne poškodbe in požar.

- c) **Ko baterijski sklop ni v uporabi, ga hranite ločeno od drugih kovinskih predmetov, kot so sponke za papir, kovanci, ključji, žebliji, vijaki ali drugi majhni kovinski predmeti, ki lahko povzročijo stik med enim in drugim kontaktom.** Kratek stik zaradi povezanih kontaktov akumulatorja lahko povzroči opeklino ali požar.
- d) **Ob zlorabi akumulatorja lahko iz njega steče tekočina; izogibajte se stiku z njo. Če se neohote dotaknete tekočine, mesto dotika sperite z vodo. Če pride tekočina v stik z očmi, poiščite zdravniško pomoč.** Tekočina, ki brizgne iz akumulatorja, lahko povzroči draženje ali opeklino.
- e) **Akumulatorske baterije ali orodja, ki je poškodovano ali spremenjeno, ne uporabljajte.** Poškodovani ali spremenjeni akumulatorji lahko nepredvidljivo delujejo, zaradi česar lahko pride do požara, eksplozije ali nevarnosti telesnih poškodb.
- f) **Akumulatorske baterije ali orodja ne izpostavljajte ognju ali previsokim temperaturam.** Izpostavljenost ognju ali temperaturam nad 130 °C lahko povzroči eksplozijo.
- g) **Upoštevajte vsa navodila za polnjenje in akumulatorske baterije ali orodja ne polnite izven temperaturnega razpona, navedenega v navodilih.** Zaradi nepravilnega polnjenja ali temperature zunaj navedenega razpona lahko pride do poškodb akumulatorja in povečanega tveganja za požar.
- 6) **SERVIS**
 - a) **Električno orodje naj servisira usposobljeno servisno osebje, ki uporablja le enake nadomestne dele.** To bo zagotovilo ohranjanje varnosti električnega orodja.
 - b) **Nikoli ne popravljajte poškodovanih akumulatorskih baterij.** Akumulatorske baterije lahko popravi le proizvajalec ali pooblaščen izvajalec servisiranja.

VARNOSTNA NAVODILA ZA AKUMULATORSKI UDARNI KLJUČ

- **Če izvajate dela, pri katerih bi se lahko s pritrdilnim elementom dotaknili skrite omrežne napeljave, držite električno orodje samo za izolirane ročaje** (stik pritrdilnih elementov z napeljavo, ki je pod napetostjo, lahko povzroči, da so tudi kovinski deli orodja pod napetostjo, kar lahko povzroči električni udar za upravljalca).

SPLOŠNO

- Prah materialov, kot so barve, ki vsebujejo svinec, nekatere vrste lesa, mineralov ali kovin, je lahko škodljiv (ob stiku ali vdihavanju lahko prah pri delavcu ali pri drugih prisotnih povzroči alergijsko reakcijo in/ali boleznih dihal); **nosite masko za prah in pri delu uporabljajte napravo za odsesavanje prahu, kjer je le-to možno priključiti.**
- Nekatere vrste prahu so klasificirane kot kancerogene (npr. prah hrasta in bukve), predvsem ob sočasni uporabi z dodatki za obdelavo lesa; **nosite masko za prah in pri delu uporabljajte napravo za odsesavanje prahu, kjer je le-to možno priključiti.**
- Upoštevajte nacionalne zahteve glede prahu za materiale, ki jih želite obdelovati.
- Ne obdelujte materiala, ki vsebuje azbest (azbest

povzroča rakasta obolenja).

- Pred nastavitvijo ali menjavo nastavkov in pri prenašanju ali shranjevanju orodja zagotovite, da je izbirno smerno stikalo A② v sredinskem (zaklepnem) položaju.

NASTAVKI

- SKIL zagotavlja brezhibno delovanje orodja le z uporabo originalnih nastavkov.
- Uporabljajte lahko nastavke, katerih dovoljena hitrost je najmanj enaka največji hitrosti orodja

PRED UPORABO

- Izogibajte se poškodbam zaradi vijakov, žebeljev ali drugih elementov v obdelovancu; odstranite jih pred začetkom dela.
- **Zavarujte obdelovanec** (obdelovanec stisnjen v prižemi ali primežu je bolj varen kot v roki).
- **Za iskanje skritih električnih, plinskih in vodovodnih cevi uporabite primerne iskalne naprave** (detektorje) ali se posvetujte z lokalnimi podjetji (stik z električnimi vodniki lahko povzroči požar ali električni udar; poškodbe plinovoda lahko povzročijo eksplozijo, vdor v vodovodno omrežje pa materialno škodo ali električni udar).

AKUMULATOR

- **Priloženi akumulator je delno napolnjen** (če želite zagotoviti polno zmogljivost akumulatorja, ga pred prvo uporabo popolnoma napolnite s polnilnikom za akumulator)
- **S tem orodjem lahko uporabljate samo te akumulatorje in polnilnike**
 - Akumulator SKIL: BR1*31****
 - Polnilnik SKIL: CR1*31****
- Če je akumulator poškodovan, ga ne uporabljajte, ampak ga je treba takoj zamenjati.
- Akumulatorja ne razstavljajte.
- Orodja/akumulatorja ne izpostavljajte dežju.
- Dovoljena temperatura okolice (orodje/polnilec/baterija):
 - pri polnjenju od 4 od 40 °C
 - pri delu od -20 od +50 °C
 - pri skladiščenju od -20 do +50 °C

POJASNILO OZNAK NA ORODJU/AKUMULATORJU

- ③ Pred uporabo preberite navodila za uporabo
- ④ Akumulatorji lahko pri izpostavljanju odprtemu ognju eksplodirajo, zato jih nikoli ne sežigajte.
- ⑤ Shranjujte orodje/polnilec/akumulator v prostoru, kjer temperatura ne bo preseгла 50 °C.
- ⑥ Ne odstranjujte električnega orodja in akumulatorja skupaj z gospodinjstvi odpadki.

UPORABA

- Polnjenje baterije
 - ! **Preberite varnostna opozorila in navodila, priložena polnilniku.**
- Odstranjevanje/namesčanje akumulatorja ②
- Indikator stanja napoljenosti akumulatorja ⑦
 - Pritisnite gumb indikatorja stanja napoljenosti akumulatorja H, da prikažete trenutno stanje akumulatorja ⑦a
 - ! **Ko po pritisku gumba H⑦b začne utripati najnižja stopnja napoljenosti, je akumulator prazen.**
 - ! **Ko začeta po pritisku gumba H utripati 2 stopnji indikatorja napoljenosti akumulatorja ⑦c, je akumulator v dovoljenem razponu delovne temperature.**
- Zaščita akumulatorja
 - Orodje se nenadoma izklopi ali pa ga ni mogoče vklopiti

v naslednjih primerih:

- **previsoka obremenitev** --> odstranite obremenitev in zaženite znova;

- **temperatura akumulatorja ni v dovoljenem razponu delovne temperature od -20 do +50 °C**
--> ko pritisnete gumb H(7)c, začneta utripati 2 ravni indikatorja napoljenosti akumulatorja; počakajte, da se akumulator vrne v dovoljeni razpon delovne temperature;

- **akumulator je skoraj prazen (zaščitite ga pred popolno izpraznitvijo)** --> ko pritisnete gumb H, indikator napoljenosti akumulatorja prikaže nizko raven napoljenosti akumulatorja ali utripajočo nizko raven napoljenosti akumulatorja (7)b; napolnite akumulator.

! **Po samodejnem izklopu ne pritisčajte stikala za vklop/izklop; akumulator se lahko poškoduje.**

• Namestitev sponke za pas (8)

- Sponko za pas L namestite na ključ s priloženim vijakom.

• Menjava smeri vrtenja (9)

- V primeru, da preklopnik smeri vrtenja ni v pravilnem položaju, ni mogoče vklopiti stikala E(2)

! **Smer vrtenja spremenite le pri popolnoma mirujočemu orodju.**

• Kombinirano stikalo za vklop/izklop (10) in nastavitev hitrosti (11)

- Hitrost se brezstopenjsko nastavlja od 0 do maksimalne z večjim ali manjšim pritiskom na stikalo E(2)

• Lučka LED (12)

- Lučka LED se vklopi ob pritisku stikala za vklop/izklop E ali pritisku gumba lučke LED F ali gumba za izbiro načina G.

- Pritisnite gumb lučke LED, da izberete zeleno svetlost: **Nizka svetlost** – izklopi se pribl. 10 s po sprostitvi stikala za vklop/izklop
Visoka svetlost – izklopi se pribl. 600 s po sprostitvi vklop/izklopa

! **Ko začne lučka LED utripati, je zaščita akumulatorja aktivirana (glejte zgoraj).**

• Izbira načina (13)

- Pritisnite gumb za izbiro načina G, da izberete zeleni način:

Način nizke hitrosti (lučka »1« sveti zeleno) (13)a

- privijanje z manj sile pri nizki hitrosti

- za majhne sornike in vijake

Način srednje hitrosti (lučki »1 in 2« svetita zeleno) (13)b

- privijanje s srednjo silo in hitrostjo

- za vijake za srednje zahtevno uporabo

Način visoke hitrosti (lučke »1 in 2 in 3« svetijo zeleno) (13)c

- privijanje z veliko silo in visoko hitrostjo

- za večje vijake in sornike

Vzvrtni način (lučka »RM« sveti zeleno) (13)d

- za odvijanje vijakov in matic

- se ustavi, ko se vijak ali matica odvije

! **Način nadzora je na voljo le pri vrtenju nazaj; pri vrtenju naprej se uporablja za visoko hitrost.**

! **Načine lahko spremenite le, ko svetijo zelene lučke LED in orodje popolnoma miruje.**

• Namestitev in odstranjevanje vtičnic (14)

- Če želite namestiti vtičnico, jo preprosto potisnite na kvadratni nastavek D.

- Če želite odstraniti vtičnico, jo preprosto povlecite s kvadratnega nastavka D.

! **Uporabljajte samo vtičnice s 3/8-palčnim štiriobim nastavkom (14)a.**

! **Uporabite adapter M za vtičnice z 1/2-palčnim štiriobim nastavkom (14)b**

! **Ne uporabljajte poškodovanih vtičnic.**

• Držanje in vodenje orodja (15)

! **Med delom vedno držite orodje za sivo obarvana mesta oprijema.**

- Ventilacijske reže B(2) morajo ostati nepokrite.

- Ne pritisčajte premočno na orodje; pustite da orodje samo opravi delo.

UPORABNI NASVETI

- Uporabljajte ustrezne nastavke.
- Pri vijachenju vijaka v les v bližini robu je potrebno predvrtati luknjo, s čimer boste preprečili pokanje lesa.
- Za optimalno delo je potreben enakomeren pritisk na orodje, predvsem pri odvijanju vijaka.
- Pri privijanju vijaka v trd les priporočamo, da najprej izvrtate luknjo.
- Za več informacij obiščite spletno stran www.skil.com

VZDRŽEVANJE/SERVISIRANJE

- Orodje ni namenjeno profesionalni uporabi.
- Orodje naj bo vedno čisto (še posebej prezračevalne odprtine B(2))

! **Pred čiščenjem odstranite akumulator iz orodja.**

- Če bi kljub skrbnim postopkom izdelave in preizkušanja prišlo do izpada delovanja orodja, naj popravilo opravi servisna delavnica, pooblaščen za popravila električnih orodij SKIL.
 - Pošljite nerazstavljeno orodje skupaj s potrdilom o nakupu pri vašemu prodajalcu v najbližjo servisno delavnico SKIL (naslove in spisek rezervnih delov najdete na www.skil.com).
 - Zavedajte se, da garancija ne vključuje poškodb zaradi preobremenitve orodja ali nepravilne rabe (glede SKIL-ovih garancijskih pogojev obiščite www.skil.com ali povprašajte prodajalca).

OKOLJE

- **Električnega orodja, baterije, pribora in embalaže ne odstranjujte skupaj z gospodinjstvi odpadki** (samo za države EU).
 - V skladu z Evropsko direktivo 2012/19/EG o odpadni električni in elektronski opremi in z njenim izvajanjem v nacionalni zakonodaji je treba električna orodja ob koncu njihove življenjske dobe ločeno zbirati in jih predati v postopek okolju prijaznega recikliranja.
 - Ko bo potrebno odstranjevanje, vas bo na to spomnil simbol (6).
- ! **Praden zavrzete akumulator, prilepite kontakte z debelejšim izolirnim trakom, da preprečite kratek stik.**

HRUP/VIBRIRANJE

- Raven zvočnega tlaka tega orodja, ki je bila izmerjena v skladu s standardom EN62841, znaša 88 dB(A), raven zvočne moči je 99 dB(A) (odstopanje K = 3 dB) in vibracij 9,1 m/s² (triosna vektorska vsota; odstopanje

$K = 1.5 \text{ m/s}^2$).

- Raven oddajanja vibracij je bila izmerjena v skladu s standardiziranimi testi, navedenimi v EN62841; uporabiti jo je mogoče za primerjavo različnih orodij med seboj in za predhodno primerjavo izpostavljenosti vibracijam pri uporabi orodja za namene, ki so omenjeni.
 - Uporaba orodja za drugačne namene ali uporaba skupaj z drugimi, slabo vzdrževanimi nastavki lahko znatno poveča raven izpostavljenosti.
 - Čas, ko je orodje izklopljeno ali ko je vklopljeno, vendar z njim ne delamo, lahko znatno zmanjša raven izpostavljenosti.
- ! Pred posledicami vibracij se zaščitite z vzdrževanjem orodja in pripadajočih nastavkov, ter tako, da so vaše roke tople, vaši delovni vzorci pa organizirani.**

EST

Harjadeta, juhtmeta lööktrell

3265

SISSEJUHATUS

- See tööriist on mõeldud kruvide ja poltide kinni- ja lahtikeeramiseks
- Tööriist pole mõeldud professionaalseks kasutamiseks.
- Kui mõni osa on puudu või kahjustatud, võtke ühendust kohaliku edasimüüjaga.
- **Enne seadme kasutamist lugege kasutusjuhend hoolikalt läbi ja hoidke see edaspidiseks alles** ③
- Pöörake erilist tähelepanu ohutusjuhistele ja hoiatustele; nende eiramine võib põhjustada tõsiseid vigastusi.

TEHNILISED ANDMED ①

Max pöördemoment tugeval kruvikeeramisrežiimil ISO 5393 kohaselt: 250Nm

TÖÖRIISTA OSAD ②

- A Pöörlemis-suuna (edasisuund / keskasend ehk lukustatud / tagasisuund) selektor
 - B Ventilatsioonivavad
 - C LED-märgutuli
 - D Nelikantülekanne
 - E Lüüti tööriista sisse-/väljalülitamiseks ja kiiruse kontrollimiseks
 - F LED-tule nupp
 - G Režiiminupp
 - H Aku laetustaseme märgutule nupp
 - J Otsaku hoiukoht
 - K Rihma kinnituskoht
 - L Vööklamber
 - M Adapter*
- *EI KUULU STANDARDKOMPLEKTI

OHUTUS

ÜLDISED ELEKTRITÖÖRIISTADE HOIATUSED

⚠ HOIATUS! Lugege läbi kõik elektritööriistaga kaasas olevad hoiatused, juhised, joonised ja andmed.

Alltoodud juhiste eiramine võib põhjustada elektrilööki, tulekahju ja/või tõsiseid vigastusi.

Säilitage hoiatused ja juhised hilisemaks kasutuseks.

Hoiatustes kasutatud termin "elektritööriist" viitab voolu jõul (juhtmega) töötavale elektrilisele tööriistale või aku jõul töötavale (juhtmata) elektrilisele tööriistale.

1) TÖÖPIIRKONNA OHUTUS

- a) **Tööpiirkond peab olema puhas ja hästi valgustatud.** Täis kuhjatud või valgustamata tööpiirkonnad võivad põhjustada õnnetusi.
- b) **Ärge kasutage elektritööriistu plahvatusohtlikes keskkondades, näiteks kergesti süttivate vedelike, gaaside või tolmu läheduses.** Elektritööriistad tekitavad sademeid, mis võivad süüdata tolmu või aursid.
- c) **Elektritööriistadega töötamisel hoidke lapsed ja kõrvalised isikud eemal.** Tähelepanu hajumisel võite kaotada kontrolli seadme üle.

2) ELEKTRILINE OHUTUS

- a) **Elektritööriistad tuleb ühendada sobivasse pistikupessa. Ärge kunagi modifitseerige pistikut mitte mingil viisil. Ärge kasutage maandatud elektritööriistadega koos pistikuadaptereid.** Modifitseerimata pistikud ja sobivad pistikupesad vähendavad elektrilöögi ohtu.
- b) **Vältige kehalist kontakti maandatud pindadega (nt torud, radiaatorid, katted, külmikud).** Kui teie keha on maandatud, suureneb elektrilöögi oht.
- c) **Ärge jätke elektritööriistu vihma kätte ega niisketesse tingimustesse.** Vee sattumine elektritööriista sisse suurendab elektrilöögi ohtu.
- d) **Ärge rikkuge juhet. Ärge kasutage juhet elektritööriista kandmiseks või tõmbamiseks ja ärge tõmmake juhtmest, kui soovite pistikut pistikupesast eemaldada.** Vältige juhtme kokkupuudet kuumade esemete, õli, teravate servade või liikuvate osadega. Kahjustatud või puntras juhe suurendab elektrilöögi ohtu.
- e) **Elektritööriistaga välitingimustes töötamiseks kasutage välitingimustesse sobivat pikendusjuhet.** Välitingimustesse sobiva juhtme kasutamine vähendab elektrilöögi ohtu.
- f) **Kui peate kindlasti tööriista märjas kohas kasutama, kasutage seadet, mille toite tagab jääkvooluseade (RCD).** RCD kasutamine vähendab elektrilöögi ohtu.

3) ISIKLIK OHUTUS

- a) **Olge tähelepanelik, töötage hoolikalt ja rakendage tervet mõistust. Ärge kasutage elektritööriista, kui olete väsinud, või rohtude, alkoholi või narkootikumide mõju all.** Vaid hetkeline tähelepanematus elektritööriista kasutamisel võib põhjustada raskeid kehavigastusi.
- b) **Kasutage isikukaitsevahendeid. Kandke alati silmakaitsevahendeid. Töötingimustele vastava kaitsevarustuse (nt tolmu maski, libisemiskindlate turvajalanõude, kiivri või kuulmiskaitsete) kasutamine vähendab kehavigastuste ohtu.**
- c) **Ennetage tööriista tahtmatut käivitamist. Enne tööriista vooluvõrgu ja/või akuplokiiga ühendamist ning enne tööriista kandmist või üles tõstmist**

veenduge, et lüliti on mitteaktiivses asendis.

Elektritööriistade kandmine sõrme lülilil hoides või aktiivses olekus lülitiga põhjustab õnnetusi.

- d) **Enne tööriista sisselülitamist eemaldage sellelt kõik reguleerimis- ja mutrivõtmed.** Elektritööriista pöörleva osa külge unustatud võtmed vms tööriistad võivad põhjustada kehavigastusi.
- e) **Ärge küünitage liiga kaugele. Töötage ainult kindlal pinnal ja kohtades, kus pole ohtu tasakaalu kaotada.** Nii säilitate ootamatutes olukordades parema kontrolli elektritööriista üle.
- f) **Riietuge asjakohaselt. Ärge kandke ehteid ega avaraid riideid. Vältige oma juuste ja riiete kokkupuudet liikuvate osadega.** Liiga avarad riided, ehted ja pikad juuksed võivad liikuvate osade vahele kinni jääda.
- g) **Kui tootega on kaasas vahendid tolmuärastus- ja kogumisseadmete ühendamiseks, siis veenduge, et need seadmed on korralikult ühendatud ja asjakohases kasutuses.** Tolmukogumisseadmete kasutamine vähendab tolmu saadust ohtusid.
- h) **Kui seade on teile sagedase kasutamise tulemusel harjumuspäraseks saanud, ärge laske ennast lõdvaks ega ignoreerige tööriista kasutamise ohutusreegleid.** Hooletuse tõttu võite saada tööseid vigastusi ka sekundi murdosa jooksul.

4) ELEKTRITÖÖRIISTA KASUTAMINE JA HOOLDUS

- a) **Ärge rakendage elektritööriista kasutamisel jõudu. Kasutage konkreetseks tööks sobivat elektritööriista.** Sobiva elektritööriistaga sobival kiirusel töötades saate töö valmis kiiresti ja ohutult.
- b) **Ärge kasutage elektritööriista, mida ei saa lülitist sisse ega välja lülitada.** Elektritööriistad, mille lüliti ei tööta, on ohtlikud ja tuleb parandada.
- c) **Eemaldage pistik vooluvõrgust ja/või akuplokk seadme küljest, kui see on eemaldatav, enne seadme kohandamist, tarvikute vahetamist või elektritööriista houstamist.** Selliste ennetavate ohutusmeetmete rakendamisega vähendate elektritööriista tahtmatu käivitamise võimalust.
- d) **Elektritööriista, mida te hetkel ei kasuta, hoidke lastele kättesaamatus kohas ning ärge lubage nendega töötada isikul, kes pole tööriistade tööpõhimõtete või käesoleva juhendiga tutvunud.** Koolitamata isikute käes on elektritööriistad ohtlikud.
- e) **Hooldage nii elektritööriista kui tarvikuid. Kontrollige, et liikuvad komponendid on korrektselt joondatud ja kinnitatud ning ükski osa ei ole katki, ning jälgige ka muid aspekte, mis võiksid elektritööriista tööd mõjutada.** Kahjustatud elektritööriista tuleb enne kasutamist parandada. Halvasti hooldatud elektritööriistad põhjustavad palju õnnetusi.
- f) **Hoidke oma lõiketööriistad teravad ja puhtad.** Korralikult hooldatud ja teravate servadega lõikevahendid ei kiili nii kergesti kinni ja on lihtsamini kontrollitavad.
- g) **Kasutage elektritööriista, selle tarvikuid, tööriistaosi jm vastavalt käesolevale juhendile, võttes arvesse töötingimusi ja teostatavat tööd.** Elektritööriista mittesihipärane kasutamine võib põhjustada ohtlikke olukordi.
- h) **Hoidke käepidemed ja haardepinnad kuivad ja puhtad ning vältige neile õli ja rasva sattumist.**

Libedad käepidemed ja haardepinnad takistavad seadme ohutut kasutamist ja käsitsemist ootamatutes olukordades.

- 5) **AKUSEADMETE KASUTAMINE JA HOOLDUS**
- a) **Kasutage laadimiseks ainult tootja poolt ette nähtud laadijaid.** Akulaadija, mis sobib teatud tüüpi akuplokile, võib põhjustada tulekahju ohtu, kui seda kasutada mõne teise akuplokiga.
- b) **Kasutage elektritööriista ainult nende jaoks ette nähtud akuplokkidega.** Mõne muu akuploki kasutamine võib põhjustada vigastuste ja tulekahju ohtu.
- c) **Kui akut ei kasutata, hoidke seda eemal muudest metallesemetest nagu kirjaklambrid, mündid, võtmed, naelad, kruvid ja muud väikesed metallesemed, mis võivad klemmide vahel ühenduse luua.** Akuklemmide lühiühendus võib põhjustada põletushaavu või tulekahju.
- d) **Valedes tingimustes kasutamisel võib akut vedelikku välja tulla; vältige kokkupuudet.** Kokkupuute korral loputada veega. Kui vedelik satub silma, pöörduge lisaks ka arsti poole. Akust erituv vedelik võib põhjustada ärritust või põletusi.
- e) **Ärge kasutage kahjustunud või modifitseeritud akuplokki või tööriista.** Kahjustunud või modifitseeritud akut võivad toimida ettearvamatult, mille tagajärjeks võib olla tulekahju, plahvatus või vigastuste oht.
- f) **Vältige akuploki või tööriista kokkupuudet tule või liiga kõrge temperatuuriga.** Kokkupuude lahtise tule või temperatuuriga üle 130 °C võib põhjustada plahvatusi.
- g) **Järgige kõiki laadimisjuhiseid ja ärge laadige akuplokki või tööriista vale temperatuuri juures (vt juhiseid).** Valesi või valel temperatuuril laadimine võib kahjustada akut ja suurendada tulekahju ohtu.
- 6) **HOOLDUS**
- a) **Laske oma akutööriista hooldada kvalifitseeritud remonditehnikul, kes kasutab ainult identseid originaalvaruosu.** See tagab elektritööriista ohutuse.
- b) **Ärge kunagi hooldage kahjustunud akuplokke.** Akuplokkide hooldust võib teostada ainult tootja või volitatud teeninduskeskus.

OHUTUSJUHISED AKULÖÖKTRELLI KOHTA

- **Hoidke elektritööriista kinni isoleeritud haardepinnast, kui teostate toimingut, mille puhul võib kinniti kokku puutuda varjatud voolujuhtmatega** (kinniti kokkupuutuimise pingestatud juhtmega võib viia metallist seadmeosas pingele alla ja anda operaatorile elektrilöögi).

ÜLDIST

- Pliid sisaldavat värvi, mõningaid puiduliike, mineraale ja metalli sisaldavad materjalid eraldavad tolmu, mis võib olla kahjulik (kokkupuude tolmuaga või selle sissehingamine võib seadme kasutajal või läheduses viibivatel inimestel põhjustada allergilisi reaktsioone ja/või hingamisteede haigusi); **kandke tolmumaski ja vajaduse korral töötage külgeühendatava tolmueraldusseadmega.**
- Teatud tüüpi tolm on klassifitseeritud kantserogeensena (nt tammest ja pöögist eralduv tolm), eriti koos puidu niiskuse reguleerimiseks kasutatavate lisanditega; **kandke tolmumaski ja vajaduse korral töötage külgeühendatava tolmueraldusseadmega.**

- Erinevate materjalide töötlemisel tekkiva tolmu käitlemisel tuleb järgida kehtivaid nõudeid.
- Asbesti sisaldava materjali töötlemine on keelatud (asbesti peetakse kantserogeenseks).
- Enne mistahes reguleerimist või tarvikute vahetamist, samuti tööriista kandmisel või hoiustamisel veenduge, et pöörlemissuuna selektor AO2 oleks keskasendis (lukustatud asendis).

LISATARVIKUD

- SKIL tagab seadme häireteta töö üksnes originaaltarvikute kasutamisel.
- Kasutage ainult tarvikuid, mille lubatud pöörlemiskiirus vastab tööriista suurimale tühikiirusele.

ENNE KASUTAMIST

- Vältige töödeldavas esemes olevatest kruvidest, naeltest vms põhjustatud kahjustusi; eemaldage need enne töö alustamist.
- **Kinnitage toorik** (fiksaatoriga kinnitatud või kruustangide vahele pandud toorik püsib kindlamini paigal kui lihtsalt käega hoides).
- **Varjatult paiknevate edastusliinide** (elektrijuhtmed, gaasi- või veetorud) avastamiseks kasutage sobivaid detektoreid või pöörduge kohaliku elektri-, gaasi- või vee-ettevõtte poole (kokkupuutel elektrijuhtmetega tulekahju- ja elektrilöögioht; gaasitorustiku vigastamise plahvatusoht; veetorustiku vigastamise materiaalne kahju või elektrilöögioht).

AKUD

- **Kaasasolev aku on osaliselt laetud** (aku täisvõimsuse tagamiseks laadige aku enne elektritööriista esmakordset kasutamist akulaadijaga korralikult täis).
- **Kasutage selle tööriistaga ainult järgmisi akusid ja laadijaid.**
 - SKILi aku: BR1*31****
 - SKILi laadur: CR1*31****
- Ärge kasutage kahjustatud akut – see tuleks kohe välja vahetada.
- Ärge võtke akut lahti.
- Ärge jätke tööriista/akut vihma kätte.
- Ümbritseva keskkonna lubatud temperatuur (tööriista/laadijat/akut):
 - laadimisel 4 kuni 40 °C;
 - töötamisel –20 kuni +50 °C;
 - hoiustamisel –20 kuni +50 °C.

TÖÖRIISTA/LAKUL OLEVATE SÜMBOLITE SELGITUS

- ③ Enne kasutamist tutvuge kasutusjuhendiga.
- ④ Tulle visatud akud plahvatavad, seepärast ei tohi akut mitte mingil juhul põletada.
- ⑤ Hoidke tööriista/laadijat/akut kohas, kus temperatuur ei ületa 50 °C.
- ⑥ Ärge visake kasutuskoõlbmatuks muutunud elektrilisi tööriistu ja akusid ära koos olmejäätmetega.

KASUTAMINE

- Aku laadimine
! Lugege laadijaga kaasasolevaid ohutusohiatusi ja juhiseid.
- Aku eemaldamine/paigaldamine ②
- Aku laetustaseme indikaator ⑦
 - Vajutage aku laetustaseme märgutule nuppu H, et näha aku laetustaset ⑦a antud hetkel.
- **! Kui aku laetustaseme märgutule kõige madalama taseme tuli hakkab nupu H vajutuse järel vilkuma ⑦b, on aku tühi.**

! Kui laetuse taseme märgutule 2 taseme märgutuled hakkavad nupu H vajutuse järel vilkuma ⑦c, ei ole aku lubatud töötemperatuurivahemikus.

- Aku kaitse
Tööriist lülitatakse järsku välja või selle sisselülitamine ei ole võimalik, kui
 - **koormus on liiga suur** --> eemaldage koormus ja taaskäivitage;
 - **aku temperatuur ei ole lubatud töötemperatuurivahemikus –20 kuni +50 °C** --> märgutule 2 taseme märgutuled hakkavad nupu H vajutuse järel vilkuma ⑦c; oodake, kuni aku naaseb lubatud töötemperatuurivahemikku;
 - **aku on peaaegu tühi (et kaitsta seda täieliku tühjenemise eest)** --> aku laetustaseme märgutuli kuvab nupu H vajutuse järel madalat akutaset või vilkuvat madalat akutaset ⑦b; laadige akut;
- **! ärge vajutage enam lülile (sisse/välja), kui tööriist on end automaatselt välja lülitanud, sest see võib akut kahjustada.**
- Rihma klambri paigaldamine ⑧
 - Kinnitage rihma klamber L seadme külge kaasasoleva kruviga.
- Pöörlemissuuna muutmine ⑨
 - Kui see pole õigesti vasak-/parempoolsesse aendisse seatud, ei saa lüliti E② aktiveerida.
- **! Pöörlemissuunda tohib muuta üksnes siis, kui seade on täielikult seiskunud.**
- Kombinatsioonlüliti sisse-/väljalülitamiseks ⑩ ning kiiruse kontrolliks ⑪
 - Avaldades lülile E② suuremat või väiksemat survet, saab kiirust sujuvalt reguleerida nullist kuni maksimaalsete pööreteni.
- LED-tuli ⑫
 - LED-tuli süttib sisse-/väljalülitamiseks mõeldud lüliti E aktiveerimisel või LED-tule nupu F või režiiminupu G vajutamisel.
 - Soovitud heleduse valimiseks vajutage LED-tule nuppu:
 - madal heledus** – lülitab välja umbes 10 s pärast sisse-/väljalülitamiseks mõeldud lüliti vabastamist;
 - kõrge heledus** – lülitab välja umbes 600 s pärast sisse-/väljalülitamiseks mõeldud lüliti vabastamist.
 - **! Kui LED-märgutuli hakkab kiiresti vilkuma, on aku kaitse rakendatud (vt ülalval pool).**
- Režiimi valik ⑬
 - Vajutage soovitud režiimi valimiseks režiiminuppu G.
 - **Madala kiirusega režiim (tuli „1“ põleb roheliselt) ⑬a**
 - pingutamine väiksema pöördemomendi ja väikese kiirusega;
 - väikeste poltide ja kruvide jaoks.
 - **Keskmise kiirusega režiim (tuled „1“ ja „2“ põlevad roheliselt) ⑬b**
 - pingutamine keskmise pöördemomendi ja kiirusega;
 - keskmiste kruvide jaoks.
 - **Kiire režiim (tuled „1“ ja „2“ „3“ põlevad roheliselt) ⑬c**
 - pingutamine suurema jõu ja kõrge kiirusega;
 - suurte kruvide ja poltide jaoks.
 - **Tagurpidi juhtrežiim (tuli „RM“ põleb roheliselt) ⑬d**
 - poltide ja mutrite lödvendamiseks;
 - peatub, kui polt või mutter on lahti keeratud.
 - **! Juhtrežiim on saadaval vaid tagasisuunalise**

pöörlemise korral; edasisuunalise pöörlemise korral kasutatakse seda suure kiiruse jaoks.

! Režiime saab muuta ainult siis, kui roheline LED(id) on aktiveeritud ja tööriist on täielikult seiskunud.

- Pesade paigaldamine ja eemaldamine (14)
 - Pesa paigaldamiseks lükake see lihtsalt nelikantülekanale D.
 - Pesa eemaldamiseks tõmmake see lihtsalt nelikantülekanalt D välja.
- ! **Kasutage ainult 3/8" nelikantülekanadega pesasid.** (14a)
- ! **1/2" nelikantülekanadega (14b) pesade jaoks kasutage adapterit M**
- ! **Ärge kasutage kahjustatud pesasid.**
- Seadme hoidmine ja juhtimine (15)
 - ! **Töötamise ajal hoidke tööriista kinni halli värvi haardepinnast (haardepindadest)**
 - Hoidke ventilatsioonivad B(2) vabad.
 - Ärge rakendage tööriistale liigset survet; laske sellel enda heaks töötada.

TÖÖJUHISED

- Kasutage sobivaid otsakuid.
- Krui keeramisel puidu otsapiirkonda on soovitatav auk ette puurida, et vältida puidu lõhenemist.
- Tööriista optimaalseks kasutamiseks on vajalik pidev surve kruvile, eriti krui väljakeeramisel.
- Krui keeramisel kõvasse puitu on soovivat auk ette puurida.
- Lisateavet lugege aadressilt www.skil.com.

HOOLDUS/TEENINDUS

- Tööriist pole mõeldud professionaalseks kasutamiseks.
- Hoidke tööriist alati puhtana (eriti ventilatsioonivad B(2))
 - ! **Enne puhastamist eemaldage tööriistast aku.**
- Tööriist on hoolikalt valmistatud ja testitud. Kui tööriist sellest hoolimata rikkli läheb, tuleb see lasta parandada SKILi elektriliste käsitööriistade volitatud remonditöökojas.
 - Toimetage lahtimonteerimata tööriist koos ostukviitungiga edasimüüjale või lähimasse SKILi lepingulisse töökotta (aadressid ja tööriista varuosade joonise leiata aadressilt www.skil.com).
 - Arvestage sellega, et garantii ei hõlma seadme ülekoormamisest või ebaõigest käsitsemisest tulenevaid kahjustusi (teavet SKILi garantiitingimuste kohta vaadake veebilehelt www.skil.com või küsige kohalikult müügiesindajalt).

KESKKOND

- **Ärge visake kasutuskoõlmatuks muutunud elektrilisi tööriista, akusid, lisatarvikuid ja pakendeid ära koos olmejäätmetega** (üksnes ELi liikmesriikidele).
 - vastavalt Euroopa Parlamendi ja nõukogu direktiivile 2012/19/EÜ elektri- ja elektroonikaseadmete jäätmete kohta ning direktiivi nõuete kohaldamisele liikmesriikides tuleb kasutuskoõlmatuks muutunud elektrilised tööriistad koguda eraldi ja keskkonnasäästlikult korduvkasutada või ringlusse võtta.
 - Kõrvaldamisvajaduse tekkimisel meenutab seda teile

sümbol (6).

! Enne aku kasutusest kõrvaldamist katke selle klemmid tugeva teibiga, et vältida lühise teket.

MÜRA/VIBRATSIOON

- Standardi EN 62841 kohaselt mõõdetud tööriista helirõhutase on 88 dB(A) ja helivõimsustase on 99 dB(A) (määramatus K = 3 dB) ning vibratsioon 9,1 m/s² (triaksaalvektorite summa; määramatus K = 1,5 m/s²).
- Tekkiva vibratsiooni tase on mõõdetud vastavalt standardis EN 62841 kirjeldatud standardiseeritud testile; seda võib kasutada tööriistade võrdlemiseks ja tööriista kasutamisel ettenähtud töodel esineva vibratsiooni esialgseks hindamiseks.
 - Tööriista kasutamisel muudeks rakendusteks või teiste / halvasti hooldatud tarvikute kasutamisel võib vibratsioon märkimisväärselt suurened.
 - Ajal, kui tööriist on väljalülitatud või on küll sisselülitatud, kuid tegelikult seda ei kasutata, võib vibratsioon märkimisväärselt väheneda.
- ! **Enda kaitsmiseks vibratsiooni eest hoolitage tööriista ja selle tarvikuid korralikult, hoidke oma käed soojad ja tagage sujuv töökorraldus.**

LV

**Bezkontaktu bezvadu 3265
trיעiendarbības uzgriežņu atslēga**

IEVADS

- Šis instruments paredzēts skrūvju un bultskrūvju ieskrūvēšanai un izskrūvēšanai
- Šis instruments nav paredzēts profesionālai lietošanai.
- Ja trūkst kādas daļas vai tā ir bojāta, lūdzu, sazinieties ar izplatītāju
- **Pirms lietošanas rūpīgi izlasiet šos norādījumus un saglabājiet to vēlākai uzzīnai (3)**
- **Stingri ievērojiet drošības instrukcijas un brīdinošos norādījumus, jo pretējā gadījumā jūs riskējat gūt smagu traumu**

TEHNISKIE DATI (1)

Maks. griezes moments cietam skrūvēšanas režīmam atbilstoši standartam ISO 5393: 250Nm

INSTRUMENTA ELEMENTI (2)

- A** Rotācijas virziena (uz priekšu/centrālā bloķēšana/atpakaļ) selektors
- B** Ventilācijas atveres
- C** Gaismas indikators
- D** Četrkantainais uzgalis
- E** Ieslēdzējs un griešanās ātruma regulators
- F** LED apgaismojuma poga
- G** Režīmu izvēles poga
- H** Akumulatora uzlādes līmeņa indikatora poga
- J** Uzgaļu uzglabāšanas zona
- K** Saītes fiksatora zona
- L** Siksnas stiprinājums
- M** Adapteris*

*NAV STANDARTA KOMPLEKTĀCIJĀ

DROŠĪBA

VISPĀRĒJIE ELEKTROINSTRUMENTA DROŠĪBAS BRĪDINĀJUMI

⚠ BRĪDINĀJUMS! Izlasiet visus ar šo elektroinstrumentu saistītos drošības brīdinājumus, norādījumus, specifikāciju un aplūkojiet attēlus. Visu turpmāk uzskaitīto norādījumu neievērošana var izraisīt elektriskās strāvas triecienu, aizdegšanos un/vai nopietnas traumas.

Saglabājiet visus brīdinājumus un instrukcijas turpmākai atsaucei.

Brīdinājumus lietotais termins „elektroinstruments” attiecas uz elektriski darbināmu instrumentu, kura barošanu nodrošina elektrotīkls (ar elektrokabeļi) vai akumulators (bez elektrokabeļa).

1) DROŠĪBA DARBA ZONĀ

- a) **Uzturiet darba zonu tīru un labi apgaismotu.**
Nesakārtotā un slīkti apgaismotā darba zonā var notikt nelaimes gadījumi.
- b) **Nedarbiniet elektroinstrumentu sprādzienbīstamā vidē, piemēram, viegli uzliesmojošu šķidrums, gāzu vai putekļu klātbūtnē.** Elektroinstrumenti rada dzirksteles, kas var aizdedzināt putekļus vai izgarojumu tvaikus.
- c) **Neļaujiet bērniem un klātesošajiem atrasties elektroinstrumenta tuvumā, kamēr tas darbojas.** Apjukuma brīdī jūs varat zaudēt vadību pār instrumentu.

2) ELEKTRODROŠĪBA

- a) **Elektroinstrumenta kontaktdakšai jāsakrīt ar kontaktrozeti. Nekad nekādā veidā nepārveidojiet kontaktdakšu.** Neizmantojiet adaptera kontaktdakšas kopā ar iezemētiem elektroinstrumentiem. Lietojot nepārveidotas kontaktdakšas un atbilstošas kontaktilgzdas tiek samazināts elektriskās strāvas trieciena risks.
 - b) **Nepieskarieties sazemētām virsmām, piemēram cauruļvadiem, radiatoriem, plītiem un ledusskapjiem.** Saņemoties Jūs palielināt elektriskās strāvas trieciena risku.
 - c) **Sargājiet elektroinstrumentus no lietus vai mitruma.** Mitruma iekļūšana elektroinstrumentā palielina elektriskās strāvas trieciena risku.
 - d) **Nebojājiet strāvas vadu. Nekad nelietojiet strāvas vadu elektroinstrumenta pārnēsāšanai, vilkšanai vai kontaktdakšas izvilkšanai no kontaktrozetes.** Sargājiet strāvas vadu no karstuma, eļļas, asām malām vai kustīgām daļām. Bojāti vai samudzināti strāvas vadi palielina risku saņemt elektriskās strāvas triecienu.
 - e) **Strādājot ar elektroinstrumentu ārpus telpām, nodrošiniet, lai arī izmantotie pagarinātāji būtu piemēroti āra darbiem.** Āra darbiem paredzēta vadu pagarinātāja izmantošana samazina elektriskās strāvas trieciena risku.
 - f) **Ja nav iespējams izvairīties no elektroinstrumenta darbināšanas mitrā vietā, izmantojiet barošanas sistēmu, kas aizsargāta ar noplūdes strāvas aizsardzības ierīcēm (RCD).** Noplūdes strāvas aizsardzības ierīču izmantošana samazina elektriskās strāvas trieciena risku.
- 3) **PERSONĪGĀ DROŠĪBA**
 - a) **Darbinot elektroinstrumentu, esiet modri, pievērsiet uzmanību tam, ko jūs darāt, un rīkojieties ar to saprātīgi.** Nelietojiet elektroinstrumentu, ja esat noguruši vai atrodaties apreibinošu vielu, alkohola vai medikamentu ietekmē. Pat viens mirklis neuzmanības elektroinstrumenta lietošanas laikā var kļūt par cēloni nopietnām traumām.
 - b) **Izmantojiet individuālos aizsarglīdzekļus. Vienmēr valkājiet acu aizsarglīdzekļus.** Ja tiek lietots darba specifikai atbilstošs aizsargaprīkojums, piemēram, maska ar putekļu filtru, neslīdoši darba apavi, ķivere vai ausiņas, samazinās traumu gūšanas risks.
 - c) **Novērsiet nejaušas ieslēgšanās iespējamību.** Pirms instrumenta pievienošanas strāvas avotam un/vai akumulatoru blokam pārliecinieties, vai slēdzis atrodas izslēgtā stāvoklī. Pārnēsājot elektroinstrumentu ar pirkstu uz slēdža vai iedarbinot elektroinstrumentu, kas jau ir ieslēgtā stāvoklī, var notikt nelaimes gadījums.
 - d) **Pirms elektroinstrumenta ieslēgšanas izņemiet visas noregulēšanas vai uzgriežņu atslēgas.** Regulēšanas instruments vai atslēga, kas palikusi elektroinstrumenta rotējošās daļās, var izraisīt traumas.
 - e) **Nepārvērtējiet savas spējas. Ieņemiet pareizu stāju un vienmēr saglabājiet līdzsvaru.** Tādējādi jūs varēsiet labāk apvaldīt elektroinstrumentu negaidītās situācijās.
 - f) **Valkājiet atbilstošu apģērbu. Nevalkājiet vaļīgu apģērbu vai rotaslietas. Sargājiet matus, apģērbu un cimdus no kustīgajām daļām.** Vaļīgs apģērbs, rotaslietas vai garī mati var iekerties instrumenta kustīgajās daļās.
 - g) **Ja iekārtas ir paredzētas savienošanai ar putekļu nosūkšanas un savākšanas iekārtām, pārliecinieties, vai tās ir pieslēgtas un tiek izmantotas pareizi.** Putekļu savākšanas ierīču izmantošana var samazināt ar putekļiem saistītos apdraudējumus.
 - h) **Nepieļaujiet, ka iekārtas bieža lietošana varētu izraisīt nevērigu attieksmi darbā ar to, un neignorējiet ar iekārtas lietošanu saistītos drošības principus.** Viens brīdis neuzmanības var izraisīt nopietnas traumas.
 - 4) **ELEKTROINSTRUMENTA LIETOŠANA UN APKOPE**
 - a) **Nespediet elektroinstrumentu ar spēku.** Lietojiet attiecīgajam darbam piemērotāko elektroinstrumentu. Piemērots elektroinstruments labāk un drošāk spēs izpildīt veicamo darbu, darbojoties tam paredzētajā ātrumā.
 - b) **Nelietojiet elektroinstrumentu, ja to nav iespējams ieslēgt un izslēgt ar slēdzi.** Ja elektroinstrumentu nav iespējams ieslēgt un izslēgt ar slēdzi, tas ir bīstams, tāpēc nekavējoties jāsalabo.
 - c) **Pirms jebkādu pielāgojumu veikšanas, piederumu maiņas vai elektroinstrumenta novietošanas glabāšanā atvienojiet kontaktdakšu no barošanas avota un/vai izņemiet no elektroinstrumenta akumulatora bloku, ja to var izdarīt.** Šādi profilaktiski drošības pasākumi palīdz samazināt elektroinstrumenta nejaušas ieslēgšanās risku.
 - d) **Ja elektroinstrumenti kādu laiku netiek lietoti,**

- uzglabājiet tos bērniem nepieejamā vietā un neļaujiet ar elektroinstrumentu darboties personām, kas instrumentu nepazīna vai nav izlasījušas šīs instrukcijas. Nemākulīgās rokās nonākuši elektroinstrumenti ir potenciāls briesmu avots.
- e) Veiciet elektroinstrumentam un piederumiem apkopi. Pārbaudiet, vai ir pareizi uzstādītas kustīgās daļas un vai tās neķeras, un vai elektroinstrumenta daļām nav bojājumu, kas var negatīvi ietekmēt tā darbību. Bojāts elektroinstrumentis ir jāsalabo pirms nākamās lietošanas reizes. Daudzu negadījumu cēlonis ir sliktā stāvoklī esošu elektroinstrumentu izmantošana.
- f) Griezējinstrumentiem jābūt asiem un tīriem. Rūpīgi kopī griezējinstrumenti retāk iestrēgst un ir vieglāk vadāmi.
- g) Lietojiet elektroinstrumentu, tā piederumus un maināmos instrumentus, kā arī citus saistītos elementus atbilstoši šiem norādījumiem, ņemot vērā darba apstākļus un veicamo uzdevumu. Elektroinstrumenta lietošana neparedzētiem mērķiem var radīt bīstamu situāciju.
- h) Rokturiem un satveršanas daļām jābūt sausiem, tīriem un uz tiem nedrīkst būt eļļa vai smērviela. Ja rokturi un satveršanas daļas ir mitras, tās sfīdēs, un ar instrumentu vairs nebūs droši strādāt, kā arī apvaldīt neparedzētu apstākļu gadījumus.
- 5) AKUMULATORA LIETOŠANA UN APKOPE
- a) Uzlādējiet instrumentu tikai ar ražotāja noteikto lādētāju. Lādētājs, kas paredzēts lietošanai tikai ar viena veida akumulatoru bloku, var radīt aizdegšanās draudus, ja to izmanto kopā ar citu akumulatoru bloku.
- b) Lietojiet elektroinstrumentus kopā tikai ar tiem paredzētiem akumulatoru blokiem. Jebkura cita akumulatoru bloka lietošana var radīt traumu gūšanas un aizdegšanās risku.
- c) Kad akumulatoru bloks netiek izmantots, neglabājiet to citu metāla priekšmetu, piemēram, papīra sasprauczu, monētu, atslēgu, naglu, skrūvju vai citu sīku metāla priekšmetu, kas var veidot savienojumu starp spailēm, tuvumā. Akumulatora spaiļu īsslēgums var izraisīt aizdegšanos vai ugunsgrēku.
- d) Nepareizas rīcības gadījumā no akumulatora var iztecēt šķidrums; izvairieties no saskares ar to. Ja tas neļaušai nokļūvis uz ādas, noskalojiet ar ūdeni. Ja šķidrums iekļuvis acīs, nekavējoties meklējiet medicīnisko palīdzību. No akumulatora izkļuvušais šķidrums var izraisīt kairinājumu vai apdegumus.
- e) Nelietojiet bojātu vai pārveidotu akumulatoru bloku vai instrumentu. Bojātu vai pārveidotu akumulatoru izmantošana var radīt neparedzamus apstākļus, kas rada aizdegšanās, sprādziena vai traumas gūšanas draudus.
- f) Nepakļaujiet akumulatoru bloku vai instrumentu uguns liesmu vai pārmērīgas temperatūras iedarbībai. Uguns liesmu iedarbība vai temperatūra virs 130 °C var izraisīt sprādzienu.
- g) Izpildiet visas uzlādēšanas instrukcijas un neuzlādējiet akumulatoru bloku vai instrumentu ārpus instrukcijās norādītajām temperatūras vērtībām. Ja iekārta tiek uzlādēta nepareizi vai tiek pārsniegtas instrukcijās norādītās uzlādēšanas temperatūras vērtības, akumulators var sabojāties un palielināt aizdegšanās risku.

6) SERVISS

- a) Elektroinstrumenta remontdarbus drīkst veikt tikai kvalificēts speciālists, izmantojot tikai oriģinālās rezerves daļas. Tādējādi tiks garantēts elektroinstrumenta lietošanas drošums.
- b) Nekad neveiciet bojātam akumulatoru blokam remontdarbus drīkst veikt tikai ražotājs vai pilnvaroti servisa darbinieki.

DROŠĪBAS NORĀDĪJUMI BEZVADU TRIECIENDARBĪBAS UZGRIEŽŅU ATSLĒGAI

- Veicot darbu, kura laikā stiprinājums var skart slēptus elektriskos vadus, turiet instrumentu tikai aiz izolētajām virsmām (stiprinājumiem skarot spriegumnesošus vadus, spriegums nonāk arī uz instrumenta metāla daļām un var izraisīt elektrisku triecienu)

VISPĀRĒJA INFORMĀCIJA

- Materiāla, piemēram svinu saturošas krāsas, dažu koka šķirņu, minerālu un metāla, putekļi var būt kaitīgi (saskare ar putekļiem vai to ieelpošana var izraisīt alerģiskas reakcijas un/vai elpošanas ceļu saslimšanas operatoram vai kļātesošajiem); izmantojiet putekļu masku un putekļsūcēju, ja to iespējams pievienot
- Dažu veidu putekļi ir klasificēti kā kancerogēni (piemēram, ozola vai dižskābarža putekļi), jo īpaši apvienojot ar koksnes kondicionēšanas piedevām; izmantojiet putekļu masku un putekļsūcēju, ja to iespējams pievienot
- Ievērojiet ar putekļu savākšanu saistītos nacionālos noteikumus, kas attiecas uz apstrādājamajiem materiāliem
- Neapstrādājiet materiālus, kas satur azbestu (azbestam piemīt kancerogēnas īpašības)
- Pirms regulēšanas vai piederumu nomaiņas, kā arī, pārnesot vai uzglabājot instrumentu, pārliecinieties, ka tā pārslēdzējs AO2 atrodas vidējā (bloķētā) stāvoklī

PIEDERUMI

- Firma SKIL garantē instrumenta nevainojamu darbību tikai tad, ja tiek lietoti oriģinālie papildpiederumi
- Lietojiet tikai tāds papildpiederumus, kuru pieļaujamais darbības ātrums ir vismaz tikpat liels, kā instrumenta maksimālais brīvgaitas ātrums

PIRMS DARBA UZSĀKŠANAS

- Izvairieties no instrumenta bojājumiem, ko var radīt apstrādājamajā priekšmetā esošās skrūves, naglas vai citi līdzīgi objekti; pirms darba uzsākšanas atbrīvojiet apstrādājamo materiālu no šādiem priekšmetiem
- **Nostipriniet apstrādājamo detaļu** (to ir drošāk nostiprināt ar spailēm vai skrūvspīļiem, nevis turēt rokā)
- **Ar piemērota metālmeklētāja palīdzību pārbaudiet, vai apstrādes vietu nešķērso slēptas elektropārvades līnijas, kā arī gāzes vai ūdens caurules; šaubu gadījumā griezieties vietējā komunālās saimniecības iestādē** (darbinstrumentam skarot elektrotilkla fāzes līniju, var izcelties ugunsgrēks un strādājošais var saņemt elektrisko triecienu; gāzes vada bojāums var izraisīt sprādzienu; darbinstrumentam skarot ūdensvada cauruli, var tikt bojātas materiālās vērtības un strādājošais var saņemt elektrisko triecienu)

AKUMULATORI

- **Komplektā iekļautais akumulators ir daļēji uzlādēts** (lai nodrošinātu pilnu akumulatora jaudu, pirms elektroinstrumenta pirmās izmantošanas reizes uzlādējiet

to pilnībā, izmantojot uzlādes ierīci).

- **Izmantojiet tikai instrumenta piegādes komplektā ietilpstošos akumulatorus un uzlādes ierīces**
 - SKIL akumulators: BR1*31****
 - SKIL lādētājs: CR1*31****
- Nelietojiet bojātu akumulatoru; tas nekavējoties jānomaina
- Neizjauciet akumulatoru
- Neatstājiet instrumentu/akumulatoru lietū
- Pieļaujama apkārtējā gaisa temperatūra (instruments/lādētājs/akumulators):
 - uzlādes laikā 4...40 °C
 - darba laikā -20...+50 °C
 - uzglabāšanas laikā -20...+50 °C

UZ INSTRUMENTA/AKUMULATORA ATTĒLOTO

SIMBOLU SKAIDROJUMS

- ③ Pirms ekspluatācijas izlasiet instrukciju rokasgrāmatu
- ④ Ja akumulators tiks dedzināts, tas eksplodēs, tāpēc nekādā gadījumā to nededziniet
- ⑤ Uzglabājiet instrumentu/lādētāju/akumulatoru vietā, kur temperatūra nepārsniedz 50 °C
- ⑥ Neizmetiet elektroiekārtas un baterijas kopā ar sadzīves atkritumiem

LIETOŠANA

- Akumulatora uzlādēšana
! izlasiet lādētāja komplektā iekļautos drošas lietošanas noteikumus un norādījumus
- Akumulatora izņemšana/ievietošana ②
- Akumulatora uzlādes statusa indikators ⑦
 - lai uzzinātu akumulatora uzlādes līmeni ⑦a, nospiediet akumulatora līmeņa indikatora pogu
 - ! ja pēc H⑦b pogas nospiešanas sāk mirgot akumulatora indikatora apakšējais līmenis, tas nozīmē, ka akumulators ir tukšs**
 - ! ja pēc pogas H⑦c nospiešanas sāk mirgot 2 akumulatora indikatora līmeņi, tas nozīmē, ka akumulators neatrodas pieļaujamajā darba temperatūras diapazonā**
- Akumulatora aizsardzība
Instruments tiek tūlīt izslēgts vai arī to nav iespējams ieslēgt, ja
 - **pārāk liela slodze** -> samaziniet slodzi un ieslēdziet instrumentu no jauna
 - **akumulatora temperatūra ir ārpus atļautā darba diapazona no -20 līdz +50 °C** -> nospiežot pogu H⑦c, sāk mirgot akumulatora 2 līmeņu rādītāja iedaļas; pagaidiet, līdz akumulatora temperatūra atkal ir atļautajā darba diapazonā
 - **akumulators ir gandrīz tukšs (aizsardzībai pret pilnīgu izlādi)** -> nospiežot pogu H, akumulatora līmeņa rādītājā ir attēlota zemākā akumulatora līmeņa rādītāja iedaļa vai mirgojoša zemākā akumulatora līmeņa rādītāja iedaļa ⑦b; uzlādējiet akumulatoru
- ! pēc instrumenta automātiskas izslēgšanās nedrīkst spiest ieslēgšanas un izslēgšanas slēdzi, jo tā var sabojāt akumulatoru**
- Jostas klipša piestiprināšana ⑧
 - piestipriniet jostas klipsi L pie uzgriežņu atslēgas ar komplektācijā iekļauto skrūvi
- Rotācijas virziena pārlēgšana ⑨
 - ja darbvārpstas griešanās virziena pārlēdzējs nav precīzi iestādīts galējā labējā/kreisajā stāvoklī,

ieslēdzēju E② nav iespējams aktivēt

! pārlēdziet griešanās virzienu tikai tad, kad instruments ir pilnībā apstājies

- Kombinētais slēdzis instrumenta ieslēgšanai/izslēgšanai ⑩ un ātruma regulēšanai ⑪
 - izmainot spiedienu uz E②, plūstoši regulējiet darbvārpstas griešanās ātrumu no nulles vērtības līdz maksimālajai
- LED apgaismojums ⑫
 - LED apgaismojums iedegas, aktivizējot ieslēgšanas/izslēgšanas slēdzi E, vai nospiežot LED apgaismojuma pogu F vai režīma pogu G
 - Lai izvēlētos vēlamo spilgtumu, nospiediet LED apgaismojuma pogu:
Zems spilgtuma līmenis - izslēdzas apm. 10 s pēc ieslēgšanas/izslēgšanas slēdža atlaišanas
Augsts spilgtuma līmenis - izslēdzas apm. 600 s pēc ieslēgšanas/izslēgšanas slēdža atlaišanas
 - ! LED apgaismojumam sākot mirgot, tiek aktivizēta akumulatora aizsardzība (skatīt zemāk)**
- Režīmu izvēle ⑬
 - lai izvēlētos vajadzīgo režīmu, nospiediet režīma pogu G:
Zema ātruma režīms (gaisma "1" deg zaļā krāsā) ⑬a
 - pievelk ar mazāku griezes momentu un mazu ātrumu
 - mazām bulskrūvēm un skrūvēm
 - Vidēja ātruma režīms (gaismas "1 un 2" deg zaļā krāsā) ⑬b**
 - pievelk ar vidēju griezes momentu un ātrumu
 - vidējas slodzes skrūvēm
 - Ātrgaitas režīms (gaismas "1, 2 un 3" deg zaļā krāsā) ⑬c**
 - pievelk ar lielu spēku un ātrumu
 - lielām skrūvēm un bulskrūvēm
 - Reversās vadības režīms (gaisma "RM" deg zaļā krāsā) ⑬d**
 - bulskrūvju un uzgriežņu atskrūvēšanai
 - apstājas, kad bulskrūve vai uzgrieznis ir atskrūvēts
 - ! regulēšanas režīms ir pieejams, tikai veicot reverso rotāciju; veicot rotāciju uz priekšu, ierīce darbojas ar lielu ātrumu**
 - ! režīmus var mainīt tikai tad, kad ir aktivizēta(-as) zaļā(-s) gaismas diode(-s) un instruments ir pilnībā apstājies**
- Uzmavu uzstādīšana un noņemšana ⑭
 - lai uzstādītu uzmavu, vienkārši uzspiediet to uz kvadrātveida uzgaļa D
 - lai noņemtu uzmavu, vienkārši novelciet to no četrkantainā uzgaļa
 - ! izmantojiet tikai uzmavas ar 3/8" četrkantaino uzgali ⑭a**
 - ! līgzdām ar 1/2" četrkantaino uzgali ⑭b izmantojiet adapteri M**
 - ! neizmantojiet bojātas uzmavas**
- Instrumenta turēšana un pārvietošana ⑮
 - ! darba laikā vienmēr turiet instrumentu aiz pelēkās krāsas noturvirsmas(ām)**
 - nenosprostojiet instrumenta ventilācijas atveres B②
 - darba laikā pārlietu nespiediet instrumentu; ļaujiet tam darboties nominālā režīmā

PRAKTISKI PADOMI

- Lietojiet tikai tādus darbinstrumentus, kuru tips atbilst apstrādājamajam materiālam

- Veicot skrūves ieskrūvēšanu tuvu koka priekšmeta vai konstrukcijas malai, vispirms ieteicams ieburt atvērumu, lai novērstu koksnes plaisāšanu
- Lai instruments tiktu izmantots optimālā režīmā, ieturiet pastāvīgu spiedienu uz skrūves galvu, īpaši tad, ja skrūve tiek izskrūvēta
- Veicot skrūves ieskrūvēšanu cietā koksne, vispirms ieburbiet atvērumu
- Papildu informāciju skatīt tīmekļa vietnē www.skil.com

APKOPE/SERVISS

- Šis instruments nav paredzēts profesionālai lietošanai.
- Vienmēr uzturiet instrumentu tīru (īpaši ventilācijas atveres B^②)
- ! **Pirms tīrīšanas izņemiet no instrumenta akumulator**
- Ja, neraugoties uz augsto izgatavošanas kvalitāti un rūpīgo pēcažošanas pārbaudi, instruments tomēr sabojājas, tas jānogādā remontam firmas SKIL pilnvarotā elektroinstrumentu remonta darbnīcā.
 - nogādājiet instrumentu neizjauktā veidā kopā ar iegādes dokumentiem tuvākajā tirdzniecības vietā vai firmas SKIL pilnvarotā pēciegādes apkalpošanas un remonta iestādē (adreses un instrumenta apkalpošanas shēma ir sniegta interneta vietnē www.skil.com)
 - levērojiet, ka garantijā neietilpst pārslodzes vai nepareizas instrumenta ekspluatācijas izraisītie bojājumi (SKIL garantijas noteikumus skatiet www.skil.com vai vērsieties pie izplatītāja)

APKĀRTĒJĀS VIDES AIZSARDZĪBA

- **Neizmetiet elektroiekārtas, baterijas, piederumus un iesaiņojuma materiālus sadzīves atkritumos** (tikai ES valstīm)
 - saskaņā ar Eiropas Savienības direktīvu 2012/19/ES par nolietotajām elektriskajām un elektroniskajām iekārtām un tās atspoguļojumiem nacionālajā likumdošanā, nolietotās elektroiekārtas ir jāsavāc, jāizjauca un jānogādā otrreizējai pārstrādei apkārtējai videi nekaitīgā veidā
 - Simbols ^⑥ atgādina par nepieciešamību tos likvidēt videi nekaitīgā veidā.
- ! **pirms akumulatora utilizācijas tā kontakti jāaplīmē ar izolācijas lenti, lai nepieļautu īssavienojuma rašanos starp tiem**

TROKSNIS/VIBRĀCIJA

- Veicot mērījumus atbilstoši EN62841, šī instrumenta skaņas spiediena līmenis ir 88 dB(A) un skaņas intensitātes līmenis ir 99 dB(A) (nenoteiktība K = 3 dB), bet vibrācija 9,1 m/s² (triasiālā vektora summa; nenoteiktība K = 1,5 m/s²)
- Vibrācijas līmenis ir noteikts, izmantojot standartā EN62841 paredzēto procedūru; to var izmantot, lai salīdzinātu instrumentus un provizoriski izvērtētu vibrācijas iedarbību, lietojot instrumentu minētajiem mērķiem
 - instrumenta izmantošana citiem mērķiem vai ar citiem vai nepietiekami koptiem piederumiem var ievērojami palielināt kopējo vibrācijas iedarbības pakāpi
 - laika periodi, kad instruments ir izslēgts vai arī ir

ieslēgts, taču darbs ar to nenotiek, var ievērojami samazināt kopējo vibrācijas iedarbības pakāpi, samazinot iedarbības līmeni

! pasargājiet sevi no vibrācijas iedarbības, veicot instrumenta un tā piederumu tehnisko apkopi, novēršot roku atdzišanu un pareizi organizējot darbu

LT

Akumulatorinis smūginis suktuvas su bešepečiu varikliu

3265

ĮVADAS

- Šis įrankis skirtas sraigtams ir varžtams įsukti ir atsukti.
- Šis įrankis nes skirtas profesionaliam naudojimui.
- Jei trūksta kokių nors dalių ar jos pažeistos, kreipkitės į įrankio pardavėją.
- **Atidžiai perskaitykite šį instrukcijų vadovą ir išsaugokite jį ateičiai.** ^③
- **Ypatingą dėmesį atkreipkite į saugos instrukcijas ir įspėjimus; jei nepaisysite šių nurodymų, galite sunkiai susižaloti.**

TECHNINIAI DUOMENYS ^①

Maksimali sraigto įsukimo jėga pagal ISO 5393: 250Nm

ĮRANKIO DALYS ^②

- A** Sukimo krypties selektorius (pirmyn / centrinis užraktas / atgal)
- B** Ventilacinės angos
- C** LED lemputė
- D** Kvadratinis suklys
- E** Įjungimo / išjungimo ir greičio reguliavimo jungiklis
- F** LED lemputės mygtukas
- G** Režimo mygtukas
- H** Baterijos įkrovos lygio indikatoriaus mygtukas
- J** Antgalių dėtuve
- K** Dirželio tvirtinimo vieta
- L** Diržo apkaaba
- M** Adapteris*

*NĖRA STANDARTINIAME KOMPLEKTE

SAUGA

BENDRIEJI ĮSPĖJIMAI DĖL DARBO SU ELEKTRINIŲ ĮRANKIŲ SAUGOS

⚠ ĮSPĖJIMAS Perskaitykite visus su šiuo elektriniu įrankiu pateiktus įspėjimus dėl saugos, instrukcijas, peržiūrėkite paveikslus ir specifikacijas. Nesilaikant visų toliau išdėstytų nurodymų galima patirti elektros smūgi, sukelti gaisrą ir (ar) sunkiai susižaloti.

Išsaugokite visas instrukcijas su įspėjimais, nes jų gali prireikti ateityje.

Įspėjimuose vartojamu terminu „elektrinis įrankis“ nurodomas iš elektros lizdo maitinamas (laidinis) arba baterija maitinamas (belaidis) elektrinis įrankis.

1) SAUGA DARBO VIETOJE

- a) Darbo vieta turi būti švari ir gerai apšviesta. Jei darbo vieta netvarkinga ar blogai apšviesta, gali įvykti nelaimingas atsitikimas.
- b) Nedirbkite su elektriniu įrankiu sprogioje aplinkoje, pavyzdžiui, ten, kur yra degių skysčių, dujų arba dulkių. Elektriniai įrankiai gali kibirkščiuoti, o nuo kibirkščių gali užsidegti dulksės arba susikaupę garai.
- c) Dirbdami su elektriniu įrankiu, neleiskite artintis vaikams ir pašaliniais asmenims. Dėl dėmesio blaškymo galite nesuvaldyti įrankio.

2) ELEKTROSAUGA

- a) Elektrinio įrankio kištukas turi tikti elektros lizdui. Niekada ir jokiais būdais nebandykite perdaryti kištuko. Su žemintais elektriniais įrankiais nenaudokite jokių kištuko adapterių. Originalūs kištukai, tiksliai tinkantys elektros tinklo lizdui, sumažina elektros smūgio pavojų.
- b) Nesilieskite prie įžemintų paviršių, pavyzdžiui, vamzdžių, radiatorių, viryklių ir šaldytuvų. Jei jūsų kūnas bus įžemintas, padidės elektros smūgio pavojus.
- c) Saugokite elektrinius įrankius nuo lietaus ir drėgmės. Į elektrinio įrankio vidų patekus vandeniui padidėja elektros smūgio pavojus.
- d) Atsargiai elkitės su maitinimo laidu. Niekada nešukite ir netempkite elektrinio įrankio, laikydami už maitinimo laido. Netraukite laikydami už maitinimo laido, norėdami ištraukti kištuką iš elektros lizdo. Saugokite laidą nuo kaitros šaltinių, alyvos, aštrių briaunų ir judančių dalių. Pažeidus arba supainiojus laidus išauga pavojus patirti elektros smūgį.
- e) Kai elektriniu įrankiu dirbate lauke, naudokite laukui skirtą laidą ilgintuvą. Naudojant laukui skirtą maitinimo laidą, sumažėja pavojus patirti elektros smūgį.
- f) Jeigu elektrinio įrankio naudojimas drėgnoje vietoje yra neįšvengiamas, naudokite maitinimo šaltinį su liekamąja srove valdomu atjungimo įtaisu (RCD). RCD naudojimas sumažina elektros smūgio pavojų.

3) ASMENINĖ SAUGA

- a) Dirbdami su elektriniu įrankiu būkite budrūs, stebėkite, ką darote, ir vadovaukitės sveika nuovoka. Nedirbkite su elektriniu įrankiu, jei esate pavargę arba vartojote narkotikus, alkoholį ar medikamentus. Dirbant su elektriniais įrankiais pakanka vienos neatidumo akimirkos ir galima sunkiai susižaloti.
- b) Naudokite asmeninės apsaugos priemones. Visada būkite su apsauginiais akiniais. Darbo tam tikromis sąlygomis metu naudojant asmeninės apsaugos priemones, pvz., apsaugos nuo dulkių kaukę, neslystančius batus, apsauginį šalną ar klausos apsaugos priemones, sumažėja pavojus susižaloti.
- c) Apsisaugokite nuo atsitiktinio įrankio įsijungimo. Prieš įjungdami prie maitinimo šaltinio ir (ar) sudėtinės baterijos, prieš įrankį keldami arba nešdami įsitikinkite, kad jungiklis yra išjungimo padėtyje. Nešant elektrinius įrankius uždėjus pirštą ant jungiklio arba netyčia įjungiant elektrinį įrankį su įjungtu jungikliu, gali įvykti nelaimingas atsitikimas.
- d) Prieš įjungdami elektrinį įrankį, patraukite į šalį visus reguliavimo raktus ir veržliarakčius. Elektrinio įrankio sukamojoje dalyje likus raktui ar veržliarakčiui galima susižaloti.

- e) Nesistenkite pasiekti pernelyg toli. Visada stovėkite tvirtai ir išlaikykite pusiausvyrą. Tuomet geriau suvaldysite elektrinį įrankį netikėtose situacijose.
 - f) Dėvėkite tinkamus drabužius. Nedėvėkite laisvų drabužių ir nenešiotokite laisvai kabančių papuošalų. Saugokite savo plaukus ir drabužius nuo judamų dalių. Laisvus drabužius, papuošalus ar ilgus plaukus gali įtraukti besisukančios dalys.
 - g) Jei yra įtaisai, skirti dulkių išsiurbimo ir surinkimo įtaisams prijungti, tinkamai juos prijunkite ir naudokite. Naudojant dulkių surinkimo įrenginius, gali sumažėti su dulkėmis susijusių pavojų.
 - h) Dažnai naudodami įrankius pernelyg savimi nepasitikėkite ir neparaskite budrumo, kad paisytumėte saugaus įrankio naudojimo taisyklių. Užtenka akimirkos išsiblaškyti, kad dėl neatsargaus veiksmo sunkiai susižalotumėte.
- ## 4) ELEKTRINIŲ ĮRANKIŲ NAUDOJIMAS IR PRIEŽIŪRA
- a) Elektrinio įrankio pernelyg nespauskite. Naudokite jį darbu tinkamą elektrinį įrankį. Veikdamas namatytoju greičiu, tinkamas elektrinis įrankis darbą atlieka veiksmingiau ir saugiau.
 - b) Nenaudokite elektrinio įrankio, jeigu jo negalima įjungti ar išjungti jungikliu. Bet koks elektrinis įrankis, kurio jungiklis neveikia, yra pavojingas, tad jį būtina sutaisyti.
 - c) Prieš reguliuodami elektrinį įrankį, keisdami jo priedus arba padėdami jį į laikymo vietą, atjunkite kištuką nuo maitinimo šaltinio ir (ar) sudėtinę bateriją nuo įrankio. Šios prevencinės saugumo priemonės apsaugos jus nuo netyčinio elektrinio įrankio įjungimo.
 - d) Nenaudojamus elektrinius įrankius laikykite vaikams neprieinamoje vietoje. Su elektriniu įrankiu neleiskite dirbti asmenims, nesusipažinusiems su įrankiu arba šia instrukcija. Neapmokytų naudotojų naudojami elektriniai įrankiai kelia pavojų.
 - e) Tinkamai prižiūrėkite elektrinius įrankius ir jų priedus. Tikrinkite, ar sukamas jų dalys išcentruotos ir nestringa, ar nėra sulūžusių dalių ir kitų sąlygų, galinčių turėti įtakos elektrinio įrankio veikimui. Jei elektrinis įrankis sugedęs, prieš naudodami jį suremontuokite. Daugelio nelaimingų atsitikimų priežastis yra netinkama elektrinių įrankių priežiūra.
 - f) Pjovimo įrenginiai turi būti aštrūs ir švarūs. Tinkamai prižiūrimi pjovimo įrankiai aštriais asmenimis rečiau stringa ir lengviau valdomi.
 - g) Elektrinį įrankį, priedus, antgalius ir kitas dalis naudokite pagal šią instrukciją, atsižvelgdami į darbo sąlygas ir atliekamą darbą. Naudojant elektrinius įrankius ne pagal paskirtį gali susidaryti pavojingos aplinkybės.
 - h) Įrankių rankenos ir sugriebimo paviršiai turi būti sausi, švarūs ir nešlėpti alyva ar tepalu. Dėl slidžių rankenų ir sugriebimo paviršių įrankį sunku saugiai valdyti ir jis gali išsprūsti netikėtomis aplinkybėmis.
- ## 5) AKUMULIATORINIŲ ĮRANKIŲ NAUDOJIMAS IR PRIEŽIŪRA
- a) Kraukite naudodami tik gamintojo nurodytą įkroviklį. Naudojant įkroviklį, skirtą kito tipo sudėtinei baterijai, gali kilti gaisro pavojus.
 - b) Elektrinius įrankius naudokite tik su jiems skirtomis sudėtinėmis baterijomis. Naudojant kitokias sudėtines

baterijas gali kilti sužalojimui ir gaisro pavojus.

- c) **Nenaudojama sudėtinė baterija turi būti laikoma atokiau nuo metalinių daiktų, tokių kaip sąvaržėlės, monetos, raktai, viny, varžtai ar kiti smulkūs metaliniai daiktai, galintys sujungti abu baterijos gnybtus.** Įvykus trumpajam jungimui tarp baterijos gnybtų galima nusidenginti ar gali kilti gaisras.
 - d) **Dėl netinkamų sąlygų iš baterijos gali ištekėti skystis – nelieskite jo. Skysčiui atsitiktinai patekus ant odos, nedelsiant nuplaukite vandeniu.** Jeigu skysčio pateko į akis, papildomai kreipkitės pagalbos į gydytojus. Iš baterijos ištekėjęs skystis gali dirginti arba nudeginti.
 - e) **Nenaudokite pažeistos ar modifikuotos sudėtinės baterijos ar įrankio.** Tokios netinkamos sudėtinės baterijos gali kelti gaisro, sprogdimo ar sužalojimo pavojų.
 - f) **Sudėtinės baterijos ar įrankio negalima deginti ar kaitinti.** Bateriją deginant ar įkaitinus virš 130 °C ji gali sprogti.
 - g) **Laikykitės įrankio ar sudėtinės baterijos įkrovimo instrukcijų ir įkrovimą vykdykite nurodytame temperatūrų diapazone.** Priešingu atveju galite sugadinti sudėtinę bateriją ar net sukelti gaisrą.
- 6) TECHNINĖ PRIEŽIŪRA**
- a) **Jūsų elektrinio įrankio techninės priežiūros darbus gali vykdyti tik kvalifikuotas remonto meistras, naudodamas tik identiškas atsargines dalis.** Tokiu būdu elektrinis įrankis išliks saugus.
 - b) **Niekada neremontuokite sugadintos sudėtinės baterijos.** Tokias baterijas remontuoti gali tik gamintojas arba įgalioto techninės priežiūros centro specialistai.

AKUMULIATORINIO SMŪGINIO SUKTUVO SAUGOS INSTRUKCIJOS

- **Jei atliekate darbus, kurių metu darbo įrankis gali kliudyti paslėptus elektros laidus, tuomet elektrinį įrankį laikykite sugriebę izoliuotas rankenas** (palietus tvirtinimo detales, kuriomis teka elektros srovė, metalinėse elektrinio įrankio dalyse gali atsirasti įtampa ir išstikti elektros smūgis).

BENDRIEJI NURODYMAI

- Kai kurių medžiagų, kaip antai dažų, kurių sudėtyje yra švino, kai kurių medžių rūšių medienos, mineralų ir metalo dulkės gali būti kenksmingos (sąlytis su šiomis dulkėmis arba įkvėptos dulkes gali sukelti operatoriui arba šalia esantiems žmonėms alergines reakcijas ir (ar) kvėpavimo sistemos susirgimus); **mūvėkite apsaugos nuo dulkių kaukę ir dirbdami naudokite dulkių ištraukimo įrenginį, jei jį galima prijungti.**
- Kai kurių rūšių dulkes priskiriamos kancerogeninėms (pvz., ažuolo arba buko medienos dulkes), ypač susimaišiusios su medienos taurinimi naudojamiems prietaisams; **mūvėkite apsaugos nuo dulkių kaukę ir dirbdami naudokite dulkių ištraukimo įrenginį, jei jį galima prijungti.**
- Vadovaukitės šalyje taikomų direktyvų reikalavimais, skirtais medžiagoms, su kuriomis norite dirbti.
- Nedirbkite su medžiagomis, kurių sudėtyje yra asbesto (asbestas gali sukelti vėžį).
- Sukimo krypties selektoorių AO2 nustatykite į viduriniają (užrakinimo) padėtį, prieš įrankį reguliuodami ar keisdami antgalius, o taip pat prieš jį nešdami ar padėdami į laikymo vietą.

PIEDAI

- SKIL gali garantuoti nepriekaištingą įrankio veikimą tik tuo atveju, jei naudojama originali papildoma įranga ir priedai.
- Naudokite tik tokius priedus, kurių maksimalus sūkių skaičius yra ne mažesnis, kaip maksimalus jūsų įrankio sūkių skaičius.

PIEŠ DARBA

- Saugokitės, kad nesugadintumėte įrankio į varžtus, vinius ir kitas klūtius ruošinyje; prieš pradėdami darbą juos pašalinkite.
- **Ruošinį saugiai įtvirtinkite** (spaustuvoose suspaustas ruošinys yra įtvirtintas geriau, nei laikomas ranka).
- **Su tinkamais ieškikliais patikrinkite, ar darbo zonoje nėra paslėptų komunalinių tinklų vamzdžių, arba pasikvieskite į pagalbą vietinius komunalinių paslaugų tiekėjus** (sąlytis su elektros laidais gali sukelti gaisro bei elektros smūgio pavojų; pažeidus dujotiekio vamzdį, gali įvykti sprogdimas; pažeidus vandentiekio vamzdį, galima pridaryti daugybę nuostolių bei sukelti elektros smūgio pavojų).

BATERIJOS

- **Pridedama baterija yra iš dalies įkrauta** (kad baterija veiktų visa galia, iki galo ją įkraukite įstatę į baterijų įkroviklį, prieš pirmą kartą naudodami elektrinį įrankį).
- **Su šiuo įrankiu naudokite tik šias baterijas ir įkroviklius:**
 - SKIL baterija: BR1*31****
 - SKIL įkroviklis: CR1*31****
- Nenaudokite pažeistų baterijų – jas būtina nedelsiant pakeisti.
- Baterijų neardykite.
- Nepalikite įrankio ir baterijos lietuje.
- Leistina aplinkos temperatūra (įrankio, įkroviklio, baterijos):
 - įkrovimo metu 4...40 °C
 - darbo metu –20...+50 °C
 - laikymo metu –20...+50 °C

SIMBOLIŲ ANT ĮRANKIO IR BATERIJOS

PAAIŠKINIMAS

- ③ Prieš naudojant įrankį perskaityti instrukcijų vadovą.
- ④ Įmestos į ugnį baterijos gali sprogti; draudžiama baterijas deginti.
- ⑤ Laikyti įrankį / įkroviklį / bateriją vietoje, kurioje temperatūra neviršija 50 °C.
- ⑥ Elektrinius įrankius ir baterijas draudžiama išmesti kartu su buitinėmis atliekomis.

NAUDOJIMAS

- Baterijos įkrovimas
! Perskaitykite saugos įspėjimus ir instrukcijas, pateiktas kartu su įkrovikliu.
- Baterijos išėmimas ir įstatymas ②
- Baterijos įkrovos indikatorius ⑦:
 - spustelėkite baterijos įkrovos indikatoriaus mygtuką H, jei norite pamatyti baterijos įkrovos lygį ⑦a
 - ! Jei paspaudus mygtuką H ⑦b pradeda mirksėti mažiausias baterijos įkrovos indikatorius, tai reiškia, kad baterija išsikrovusi.**
 - ! Jei paspaudus mygtuką H ⑦c pradeda mirksėti 2 baterijos įkrovos indikatoriai, tai reiškia, kad baterijos temperatūra nėra leistiname darbo diapazone.**
- Baterijos apsauga

Įrankis staiga išsijungia arba jo nepavyksta įjungti, jeigu:

- **apgrova per didelė** --> pašalinkite apgrovą ir vėl paleiskite;
- **baterijos temperatūra nėra leistiname darbo diapazone nuo -20 °C iki +50 °C** --> paspaudus mygtuką H ⑦c pradeda mirksėti 2 baterijos įkrovos indikatoriai; palaukite, kol baterijos temperatūra grįš į leistiną darbo diapazoną;
- **baterija beveik išsikrovusi (apsauga nuo visiško išsikrovimo)** --> paspaudus mygtuką H rodomas žemas baterijos lygis arba mirksi žemo įkrovos lygio indikatorius ⑦b; įkraukite bateriją.

! Nelaikykite nuspaudę pagrindinio jungiklio, jei įrankis išsijungė automatiškai, nes galite sugadinti bateriją.

- Diržo apkabos tvirtinimas ⑧
 - pritvirtinkite diržo apkabą L prie saktuvo pridėdamu varžtū.
 - Sukimo krypties keitimas ⑨
 - kol šis selektorius neužfiksuotas kraštinėje kairėje arba dešinėje padėtyje, E ② jungiklio negalėsite įjungti.
- ! Sukimo kryptį keiskite tik įrankiui visiškai sustojus.**
- Bendras jungiklis įrankiui įjungti ir išjungti ⑩ bei greičiui reguliuoti ⑪
 - sukimo greitį tolygiai reguliuokite nuo 0 iki maksimumo stipriau ar silpniau spausdami pagrindinį jungiklį E ②
 - LED lemputė ⑫
 - LED lemputė išsijungia paspaudus pagrindinį jungiklį E, o taip pat paspaudus LED lemputės mygtuką F arba režimo mygtuką G.
 - Paspaudę LED lemputės mygtuką pasirinksite norimą ryškumą:
Mažas ryškumas – išsijungia praėjus maždaug 10 sek. po pagrindinio jungiklio atleidimo;
Didelis ryškumas – išsijungia praėjus maždaug 600 sek. po pagrindinio jungiklio atleidimo.

! Jei LED lemputė pradeda greitai mirksėti, tai reiškia, kad suveikė baterijos apsauga (žr. pirmiau).

- Režimo pasirinkimas ⑬
 - paspauskite režimo mygtuką G, kad pasirinktumėte norimą režimą.

Mažo greičio režimas (šviečia 1 žalias indikatorius) ⑬a

- priveržimas mažesne jėga ir mažu sukimo greičiu;
- mažiems sraigtams.

Vidutinio greičio režimas (šviečia 2 žali indikatoriai) ⑬b

- priveržimas vidutine jėga ir sukimo greičiu;
- vidutinio dydžio sraigtams.

Didelio greičio režimas (šviečia 3 žali indikatoriai) ⑬c

- priveržimas didele jėga ir sukimo greičiu;
- dideliems sraigtams ir varžtams.

Sukimo atgal valdymo režimas (šviečia žalias „RM“ indikatorius) ⑬d

- varžtams ir veržlėms atsukti;
- sustabdomas atsukus varžtą ar veržlę.

! Valdymo režimas veikia tik atsukant varžtą; užsukant jis naudojamas tik dideliame greičiu.

! Režimas galima pakeisti tik tuomet, kai dega žalias

LED indikatorius (-ai) ir įrankio variklis nesisuka.

- Lizdų uždėjimas ir nuėmimas ⑭
 - kad lizdą uždėtumėte, tiesiog užmaukite jį ant kvadratinio suklio D;

- kad lizdą nuimtumėte, tiesiog nutraukite jį nuo kvadratinio suklio D.

! Naudokite tik lizdus su 3/8 colio kvadratine anga. ⑭a

! Naudokite adapterį M lizdams su 1/2 colio kvadratine anga ⑭b

! Nenaudokite sugadintų lizdų.

- Įrankio laikymas ir valdymas ⑮
 - ! Dirbdami visada laikykite įrankį už pilka spalva pažymėtų sugriebimo vietų.**
 - neuždenkite ventiliacinių angų B ②;
 - nespauskite įrankio pernelyg stipriai; tegul jis dirba už jus.

NAUDOJIMO PATARIMAI

- Naudokite tinkamus darbu antgalius.
- Prieš sukant sraigą į medinio ruošinio pakraštį, visų pirma reikia išgręžti skylutę, kad mediena nesusikiltų.
- Norėdami pasiekti optimalius rezultatus, įsukdami sraigatą (o ypač išsukdami) nuolat laikykite įrankį prispaustą.
- Prieš sukant sraigatą į kietmedį, visų pirma reikia išgręžti skylutę.
- Daugiau informacijos rasite www.skil.com.

TECHNINĖ PRIEŽIŪRA IR REMONTAS

- Šis įrankis nes skirtas profesionaliam naudojimui.
- Įrankis visada turi būti švarus (ypač ventiliacinės angos B ②).
- ! Prieš valydam išimkite iš įrankio bateriją.**
- Jeigu įrankis, nepaisant gamyloje atliekamo kruopštaus gamybos ir kontrolės proceso, vis dėlto sugestų, jo remontas turi būti atliekamas įgaliotose SKIL elektrinių įrankių remonto dirbtuvėse:
 - neišardytą įrankį kartu su pirkimo čekiu siųskite įrankio pardavėjui arba į artimiausią SKIL įmonės įgaliotą techninės priežiūros centrą (adresus bei atsarginių dalių brėžinius rasite www.skil.com).
 - Turėkite omeny, kad garantija netaikoma, jei gedimas atsiranda dėl perkrovos ar netinkamo naudojimo (dėl SKIL garantijos sąlygų žr. www.skil.com arba kreipkitės į pardavėją).

APLINKOSAUGA

- **Nemeskite elektrinių įrankių, baterijų, papildomos įrangos ir pakuotės į buitinių atliekų konteinerius** (galioja tik ES valstybėms):
 - pagal ES Direktyvą 2012/19/EB dėl naudotų elektrinių ir elektroninių prietaisų atliekų utilizavimo ir pagal galiojančius nacionalinius įstatymus netinkami naudoti elektriniai įrankiai turi būti surenkami atskirai ir pristatyti į tokių atliekų surinkimo vietas;
 - simbolis ⑥ primins apie tai, kai tokią įrangą reikės išmesti.
- ! Prieš išmesdami bateriją izoliuokite jos kontaktus, kad neįvyktų trumpasis jungimas.**

TRIUKŠMAS IR VIBRACIJA

- Išmatavus pagal EN62841 standartą, šio įrankio garso slėgio lygis yra 88 dB(A), garso galios lygis yra 99 dB(A) (neapibrėžtis K = 3 dB), o vibracija 9,1 m/s² (trიაšio vektorius suma; neapibrėžtis K = 1,5 m/s²).
- Vibracijos sklaidos lygis išmatuotas pagal standarte EN

62841 išdėstytus standartizuoto bandymo reikalavimus; ši vertė gali būti naudojama vienam įrankiui palyginti su kitu bei išankstiniam vibracijos poveikiui įvertinti, kai įrankis naudojamas paminėtiais būdais:

- naudojant įrankį kitokiais būdais arba su kitokiais bei netinkamai prižiūrimais priedais, gali ženkliai išaugti poveikio lygis;
- kai įrankis išjungtas arba yra įjungtas, tačiau juo nedirbama, gali ženkliai sumažėti poveikio lygis.

! Apsisaugokite nuo vibracijos poveikio prižiūredami įrankį ir jo priedus, laikydami rankas šiltai ir derindami darbo ciklus su pertraukėlėmis.

МК

Акумуляторски ударен одвртувач без четки

3265

УПАТСТВО

- Овој алат е наменет за затегање и разлабавување на шrafoви и завртки
- Овој алат не е наменет за професионална употреба
- Контакттирајте го продавачот ако недостасуваат делови или истите се оштетени
- **Внимателно прочитајте го упатството за работа пред употреба и зачувајте го за во иднина** ③
- **Обрнете особено внимание на безбедносните упатства и предупредувања; непридржувањето до овие упатства може да доведе до сериозна повреда**

ТЕХНИЧКИ ПОДАТОЦИ ①

Максимален вртежен момент при посилна примена како шрафцигер според ISO 5393: 250Nm

ЕЛЕМЕНТИ НА АЛАТОТ ②

- A** Селектор на насоката на ротација (напред/ централно блокирање/назад).
- B** Отвори за вентилација
- C** ЛЕД-светло
- D** Квадратни завртки
- E** Прекинувач за вклучување/исклучување и контрола на брзината
- F** Копче за ЛЕД-светло
- G** Копче за режим
- H** Копче за индикаторот за нивото на батеријата
- J** Складиште за делови
- K** Област за прицврстување на ременот
- L** Шнола за ременот
- M** Адаптер*

*НЕ Е СТАНДАРДНО ВКЛУЧЕНО

БЕЗБЕДНОСТ

ОПШТИ ПРЕДУПРЕДУВАЊА ЗА БЕЗБЕДНОСТ НА ЕЛЕКТРИЧНИТЕ АЛАТИ

! ПРЕДУПРЕДУВАЊЕ Прочитајте ги сите безбедносни предупредувања, упатства, слики и спецификации што се обезбедуваат со овој алат. Непочитувањето на сите упатства подолу може да

доведе до електричен удар, пожар и/или сериозна повреда.

Чувајте ги сите предупредувања и упатства за понатамошно упатување.

Поимот „електричен алат“, кој се користи во предупредувањата, се однесува на вашиот електричен алат (со приклучен кабел) или на електричен алат со погон на батерии (без приклучен кабел).

1) БЕЗБЕДНОСТ НА РАБОТНОТО МЕСТО

- a) Одржувајте го работното место чисто и добро осветлено.** Неуреден или темен работен простор може да предизвика незгоди.
- b) Немојте да работите со електрични алати во средини во кои има опасност од експлозија, како на пример во кои има запалливи течности, гасови или прашина.** Електричните алати создаваат искри коишто може да запалат прашина или испарувања.
- c) Држете ги децата и другите лица подалеку додена ракувате со електричен алат.** Може да изгубите контрола ако нешто ви го одзема вниманието.

2) ЕЛЕКТРИЧНА СИГУРНОСТ

- a) Приклучоците за електричниот алат мораат да одговараат на штенерот.** Никогаш на никаков начин не го менувајте приклучокот. Не користете никакви адаптери за приклучоци со (заземјени) електрични алати. Немодифицираните приклучоци и соодветните штекери ќе ја намалат опасноста од струен удар.
 - b) Избегнувајте допир на телото со заземјени површини, како што се цевки, радијатори, шпорети и фрижидери.** Постои зголемена опасност од струен удар, доколку вашето тело е заземјено.
 - c) Не ги изложувајте електричните алати на дожд или влага.** Продирањето на вода во електричниот уред ќе ја зголеми опасноста од струен удар.
 - d) Немојте да го злоупотребувате кабелот за напојување.** Никогаш не го користете кабелот за напојување за носење, влечење или исклучување на електричниот алат. Чувајте го кабелот за напојување подалеку од топлина, масло, остри ивици или подвижни делови. Оштетените или заплетканите кабли за напојување ја зголемуваат опасноста од струен удар.
 - e) Кога го употребувате електричниот алат надвор, користете продолжен кабел кој е соодветен за употреба на отворен простор.** Користењето на кабел соодветен за работа на отворен простор ја намалува опасноста од струен удар.
 - f) Доколку не може да се избегне работа со електричниот алат во влажна средина, користете заштитен уред што работи на резидуална струја (RCD). Употребата на RCD ја намалува опасноста од струен удар.**
- #### 3) ЛИЧНА ЗАШТИТА
- a) Бидете внимателни, внимавајте што правите и постапувајте разумно додена работите со електричниот алат.** Никогаш не работете со електричен алат ако сте уморни или под

- влијание на дрога, алкохол или лекови.** Момент на невнимание при работење со електрични алати може да доведе до сериозна лична повреда.
- b) Носете лична заштитна опрема. Секогаш носете заштитни очила.** Носењето на заштитна опрема, како што е маска за прашина, безбедносни обувки кои не се лизгаат, заштитен шлем или штитници за уши, употребени во соодветни услови, ја намалуваат опасноста од лични повреди.
- c) Спречете случајно вклучување. Осигурете се дена прекинувачот е на позицијата off (исклучено) пред приклучувањето на изворот на напојување и/или батеријата, подигнувањето или носењето на алатот.** Носењето на електричниот алат со вашиот прст на прекинувачот или вклучување на електрични алати со прекинувачот поставен на позиција оп (приклучено) доведува до несреќи.
- d) Пред вклучување на електричниот алат отстранете ги сите клучеви за подесување или алати за навртување.** Алат или клуч што е оставен прикачен на ротациониот дел на уредот, може да доведе до лична повреда.
- e) Не посегнувајте преку одредената граница. Цело време одржувајте правилен став и рамнотежа.** На тој начин можете подобро да го контролирате електричниот алат во неочекувани ситуации.
- f) Носете соодветна облека. Не носете лелеава облека или накит. Чувајте ги носата и облеката подалеку од подвижните делови.** Лелеавата облека, накитот или долгата коса може да се зафатат во подвижните делови.
- g) Доколку се обезбедени уреди за приклучување на апарати за вшмукување и собирање прашина, осигурете се дека тие се правилно приклучени и користени.** Користењето на уреди за собирање прашина може да ги намали опасностите поврзани со прашината.
- h) Не дозволувајте искуството стеннато со честата употреба на алатите да ве направи невнимателни и да ги игнорирате безбедносните принципи при нивното користење.** Невнимателната активност може да предизвика сериозна повреда во дел од секунда.
- 4) УПОТРЕБА НА ЕЛЕКТРИЧНИ АЛАТИ И ГРИЖА ЗА НИВ**
- a) Не преоптоварувајте го електричниот алат. Користете ја правилната електрична алатна наменета за вашата работа.** Со соодветниот електричен алат ќе ја завршите работата подобро и побезбедно во однос на тоа за што е наменет.
- b) Не користете го електричниот алат ако прекинувачот не може правилно да се вклучи и исклучи.** Секој електричен алат кој не може да се контролира со помош на приклучок е опасен и мора да се поправи.
- c) Исклучете го електричниот алат од струја и/или извадете го комплетот со батерии, ако се одделува, пред да правите неканки прилагодувања, менувате дополнителна опрема или да го складираат електричниот алат.** Со овие превентивни безбедносни мерки се намалува опасноста од случајно вклучување на електричниот алат.
- d) Складирајте ги електричните алати во мирување надвор од дофатот на деца и не им допуштајте работа со уредот на лица кои не се запознаени со него или кои го немаат прочитано ова упатство.** Електричните алати се опасни доколку со нив работат нестручни лица.
- e) Одржувајте ги електричните алати и дополнителната опрема. Проверете дали има измествување или допирање на подвижните делови, дали некои делови се скриени или се во некоја друга состојба што влијае врз работата на електричниот алат.** Ако е оштетен, однесете го алатот на поправка пред да го користите. Многу несреќи се случуваат заради неодржан електричен алат.
- f) Алатите за сечење одржувајте ги остри и чисти.** Внимателно одржувањето алати за сечење со остри ивици помалку ќе се заглавуваат и полесно се контролираат.
- g) Електричниот алат, дополнителната опрема, работните алати итн., треба да ги користите според овие упатства, земајќи ги во предвид работните услови и работата која треба да се заврши.** Употребата на електричниот алат за работи што се поинакви од неговата намена може да доведе до опасна ситуација.
- h) Одржувајте ги рачките и површините за фаќање суви, чисти и без масло и маст на нив.** Рачките и површините за држење што се лизгаат не овозможуваат безбедно ракување и контрола на алатот во неочекувани ситуации.
- 5) КОРИСТЕЊЕ НА АЛАТ НА БАТЕРИИ И ГРИЖА ЗА НЕГО**
- a) Вршете полнење само со полначот што е пропишан од страна на производителот.** За полначот кој е соодветен за еден вид на батерии, постои опасност од пожар, доколку се употребува со други батерии.
- b) Користете ги електричните алати само со посебно назначени батерии.** Користењето на било кои други батерии може да доведе до повреда и пожар.
- c) Кога батериите не се користат, држете ги настрана од метални предмети како што се спајалици за хартија, парички, клучеви, клинци, шрафови или други, мали метални предмети кои можат да спојат еден пол со друг.** Краткиот спој на половите на батериите може да предизвика изгореници или пожар.
- d) Во услови на злоупотреба може да дојде до исфрлање на течност од батеријата; избегнувајте контакт. Ако дојде до случаен контакт, измијте го местото со вода. Ако течност дојде во контакт со очите, дополнително побарајте и лекарска помош.** Течноста која истекува од батеријата може да предизвика иритација или изгореници.
- e) Не употребувајте комплет со батерии или алат којшто е оштетен или изменет. Оштетените или изменетите батерии можат да реагираат непредвидливо и да предизвикаат пожар, експлозија или опасност од повреда.**
- f) Не изложувајте го комплетот со батерии**

или алатот на оган или висока температура. Изложувањето на оган или температура над 130°C може да предизвика експлозија.

- g) Следете ги сите упатства за полнење и не полнете го комплетот со батерии или алатот надвор од температуриот опсег наведен во инструкциите. Неправилното полнење или полнењето на температура што е надвор од наведениот опсег, може да ја оштети батеријата и да ја зголеми опасноста од пожар.

6) СЕРВИСИРАЊЕ

- a) Електричниот алат сервисирајте го нај квалификувано лице кое користи само идентични резервни делови. Со ова се обезбедува безбедно одржување на електричниот алат.
- b) Никогаш не поправајте ги оштетените комплекти со батерии. Поправката на комплетите со батерии треба да ја врши само производителот или некој овластен сервис.

БЕЗБЕДНОСИ УПАТСТВА ЗА БЕЗЖИЧЕН УДАРЕН ОДВРТУВАЧ

- Држете го алатот за изолираните површини на држење кога работите на место каде затегнувачот може да допре до покриени жици (ако се допре жица под напон, металните делови на алатот ќе се електрифицираат и може да предизвикаат електричен шок за работникот)

ОПШТИ

- Прашината од материјали како боја која содржи олово, некои видови дрво, минерали и метали, може да биде штетна за здравјето (контактот со прашина или нејзиното вдишување може да предизвика алергиски реакции и/или болести на дишните органи за оној кој работи со алатот или луѓето во близина); **носете масна за прашина и работете со правосмукалки доколку можете да ги поврзете**
- Некои видови на прашина се канцерогени (како на пример прашина од даб или буква), особено заедно со адитиви за одржување на дрвото; **носете масна за прашина и работете со правосмукалки доколку можете да ги поврзете**
- Следете ги процедурите на вашата земја за прашината која се јавува како резултат од материјалите со кои работите
- Не обработувајте никаков материјал кој содржи азбест (азбестот важи за предизвивач на рак)
- Уверете се дека селекторот на насоката на ротација АО2се наоѓа во средна позиција (заклучено) пред да почнете да ја подесувате или менувате дополнителната опрема или кога го носите и складираате алатот

ДОПОЛНИТЕЛНА ОПРЕМА

- SKIL може да обезбеди бесспекорно функционирање на алатот само доколку се користи оригинална дополнителна опрема.
- Користете само дополнителна опрема чија дозволена брзина е во најмала рака еднаква на најголемата брзина при празен од на алатот

ПРЕД УПОТРЕБА

- Избегувајте оштетувања од штрафови, шајки и други предмети во местото каде работите; тргнете ги пред да почнете со работа
- Зацврстете го материјалот кој обработувате

(обработка која е зацврстена со стеги или во менгема е побезбедна отколку да ја држите со раце)

- **Користете соодветни детектори за наоѓање на скриени инсталации или повинајте соодветна компанија за помош** (контактот со електричните линии може да доведе до струен удар; оштетувањата во гасоводна цевка може да резултира со експлозија; пенетрирање во водоводна инсталација може да доведе до оштета на предмети или електричен удар)

БАТЕРИИ

- **Обезбедената батерија е делумно наполнета** (за да се обезбеди целосен капацитет на батеријата, целосно наполнете ја батеријата во полначот на батеријата, пред за првпат да го употребите вашиот електричен алат).
- **Користете ги исклучиво следниве батерии и полначи со овој алат**
 - Батерија SKIL: BR1 *31****
 - Полнач SKIL: CR1 *31****
- Оштетената батерија не треба понатаму да се користи, туку веднаш да се замени
- Не расклопувајте ја батеријата
- Никогаш не изложувајте ги на дожд алатот/ батеријата
- Дозволена температура на околината (алатка/ полнач/батерија):
 - при полнење 4...40°C
 - при работа -20...+50°C
 - при складирање -20...+50°C

ОБЈАСНУВАЊЕ НА СИМБОЛИТЕ ЗА АЛАТОТ/ БАТЕРИЈАТА

- ③ Пред употреба прочитајте го прирачникот за употреба
- ④ Батериите може да експлодираат ако се изложат на оган, па затоа никако не палете ја батеријата
- ⑤ Секогаш чувајте ги алатот/полначот/батеријата на места со температура пониска од 50°C
- ⑥ Не фрлајте ги електричните алати и батериите заедно со домашниот отпад

УПОТРЕБА

- Полнење на батеријата
! прочитајте ги безбедносните предупредувања и упатствата дадени со полначот
- Вадење/ставање на батеријата ②
- Индикатор за нивото на батеријата ⑦
 - притиснете го копчето Н за индикаторот за нивото на батеријата, за да се прикаже моменталното ниво на батеријата ⑦а
 - ! ако по притиснање на копчето Н ⑦b индикаторот за најниско ниво на батеријата почне да трепка, тогаш батеријата е празна**
 - ! кога ќе почнат да трепкаат 2 нивоа на индикаторот за батеријата по притиснање на копчето Н ⑦c, тогаш батеријата не е во рамните на дозволеният опсег за работна температура**
- Заштита на батеријата
Алатот наеднаш се исклучува или не може да се вклучи, кога
 - **оптоварувањето е преголемо** -> отстранете го оптоварувањето и почнете повторно
 - **температурата на батеријата не е во рамните на дозволеният опсег на работна температура**

од -20 до +50°C--> 2 нивоа на индикаторот за ниво на батеријата почнуваат да трепкаат кога ќе го притиснете копчето H(7)с; поченајте батеријата да се врати во рамките на дозволеният опсег на работна температура

- батеријата е скоро празна (заштита од целосно празнење) --> на индикаторот за нивото на батеријата ќе се прикаже ниско ниво на батеријата или ќе трепка за ниско ниво на батеријата (7)б кога ќе притиснете на копчето H; наполнете ја батеријата

! не продолжувајте да притискате на прекинувачот за вклучување/исклучување откако алатот автоматски ќе се исклучи; батеријата може да се оштети

- Прицврстување на клипот за ремен (8)
 - прицврстете го клипот за ремен L на одвртувачот со испорачаниот шраф.
 - Промена на насоката на ротација (9)
 - ако левата/десната позиција не легната како што треба, прекинувачот E(2)нема да може да стартува
- ! менувајте ја насоката на ротацијата само кога алатот се наоѓа во целосно мирување
- Прекинувач за вклучување/исклучување (10)и контрола на брзината (11)

- брзината се контролира на степени од нула до максимум со применување помалку или повеќе сила врз E(2)

- ЛЕД-светло (12)
 - ЛЕД-светлото се вклучува кога се активира прекинувачот за вклучување/исклучување E или при притискање на копчето за ЛЕД-светло F или на копчето за режим G
 - Притиснете го копчето за ЛЕД-светло за да ја избереете саканата осветленост:

Ниска осветленост - се исклучува припл. 10 секунди откако ќе се ослободи прекинувачот за вклучување/исклучување

Висока осветленост - се исклучува припл. 600 секунди откако ќе се ослободи прекинувачот за вклучување/исклучување

! Нога ЛЕД-светлото почнува брзо да трепка, се активира заштитата на батеријата (види погоре)

- Избор на режим (13)
 - притиснете го копчето за режим G за да го изберете саканиот режим:

Режим со мала брзина (светло „1“ свети зелено) (13)а

- затегнување со помал вртежен момент и мала брзина

- за мали завртки и шrafoви

Режим со средна брзина (светлата „1 и 2“ светат зелено) (13)б

- затегнете со среден вртежен момент и брзина

- за навртките за средни услови

Режим со голема брзина (светилките „1и2и3“ светат зелено) (13)в

- затегнување со висока сила и брзина

- за големи шrafoви и навртки

Обратен режим на контрола (светлото „RM“ свети зелено) (13)д

- за разлабавување на завртки и навртки

- запира кога ќе се разлабави завртката или навртката

! контролниот режим е достапен само при обратна ротација; во предна ротација се користи за висока брзина

! режимите можат да се променат само откако ќе се активираат зелените ЛЕД и нога алатот е целосно исклучен

- Инсталирање и отстранување на штекери (14)
 - за да инсталирате штекер, едноставно турнете го на квадратната завртка D
 - за да отстраните штекер, едноставно извадете го од квадратната завртка D

! користете само штекери со квадратна завртка од 3/8" (14)а

! користете го адаптерот M за четириаголните приклучоци од 1/2" (14)б

! не користете оштетени штекери

• Држење и насочување на алатот (15)

! додена работите, секогаш држете го алатот за местото (местата) кое (кои) се означени со сива боја

- отворите за вентилација B(2) држете ги отворени
- не притискајте премногу со алатот; дозволете тој сам да работи

СОВЕТИ ЗА ПРИМЕНА

- Користете соодветни делови
- При навртување на шrafoвите на краевите на дрвото, прво треба да се издупчи мала дупка за да се избегне разлитување на дрвото
- За оптимална употреба на апаратот потребен е постојан притисок на шrafoт, особено во текот на одвртувањето
- При завртување на завртката во тврдо дрво претходно треба да се издупчи дупка
- За повеќе информации видете на www.skil.com

ОДРЖУВАЊЕ/СЕРВИСИРАЊЕ

- Овој алат не е наменет за професионална употреба
- Алатот секогаш да се одржува чист (особено отворите за ладење B(2))


! Отстранете ја батеријата од алатот пред чистење

- Доколку алатот и покрај внимателното работење и контрола некогаш откаже, поправката мора да ја изврши некој овластен SKIL сервис за електрични алати
 - испратете го алатот нерасклопен заедно со сметкопотврдата, до вашиот продавач или најблискиот овластен SKIL сервис (адресите и сервисниот дијаграм за алатот се наведени на www.skil.com)
 - Имајте предвид дека оштетувањето настанато заради преоптоварување или неправилно ракување со алатот не е опфатено со гаранцијата (видете на www.skil.com или прашајте го продавачот за условите на гаранцијата на SKIL)

ЗАШТИТА НА ЖИВОТНАТА СРЕДИНА

- Не фрлајте електрични алати, батерии, дополнителна опрема и амбалажа заедно со домашниот отпад (само за земјите на ЕУ)
 - поред Европската Директива 2012/19/ЕЗ за

ослободување од електрична и електронска опрема и нејзина имплементација во согласност со националните закони, електричните алати кои со достигнале крајот на својот животен век мора да бидат собрани посебно и да бидат вратени во објект за рециклирање кој е компатибилен со животната средина

- симболот  ќе ве потсети на тоа, кога ќе дојде време да го отстраните

! пред да се фрли батерија во отпад, заштитете ги нејзините полови со дебела лента за да се спречи краток спој


БУЧАВА/ВИБРАЦИИ

- Измерено во согласност со EN62841, нивото на звучен притисок на овој алат е 88 dB(A) и нивото на звучна моќност е 99 dB(A) (несигурност K = 3 dB), и вибрацијата 9.1 m/s² (триакс векторна сума; несигурност K = 1.5 m/s²)
 - Нивото на емитирање на вибрации е измерено во согласност со стандардизируваниот тест даден во EN62841; може да се искористи за да се спореди еден алат со друг, и како првична оценка за сложеноста на вибрации, кога се користи алатот за споменатите примени
 - користењето на алатот за разни примени, или со различна или неправилно чувана дополнителна опрема, може да доведе до значајно зголемување на нивото на изложеност
 - кога алатот е исклучен или кога алатот е вклучен но не врши некаква работа, може да дојде до значително намалување на нивото на изложеност
- ! заштитете се од ефектите на вибрациите преку одржување на алатот и неговата дополнителна опрема, одржување на топлината на вашите раце, и организирање на вашата работа**

AL

Trapan impakti me bateri 3265 dhe motor pa karbonçina

HYRJE

- Ky mjet është bërë për të futur dhe liruar vida dhe bulona
- Ky mjet nuk është bërë për përdorim profesional
- Kur pjesët mungojnë ose janë të дѐmtuara, ju lutemi kontaktoni me shitësin
- **Lexoni me kujdes këtë manual udhëzimesh para përdorimit dhe ruajeni për referencë në të ardhmen** 
- **Jini të vëmendshëm ndaj udhëzimeve të sigurisë dhe paralajmërimeve; mosrespektimi mund të shkaktojë дѐmtime të рѐнда**

TË DHËNAT TEKNIKE

Forca maksimale e rrotullimit për veprime vidhosjeje të forta sipas ISO 5393: 250Nm

ELEMENTET E PAJISJES

- A Përzgjedhësi i drejtimit të rrotullimit (përpara/bllokimi i qendrës/kundërt)

- B Të çarar e ajrosjes
C Drita LED
D Çelës katror
E Çelësi për nderzeje/fikje dhe kontrolli i shpejtësisë
F Butoni i dritës LED
G Butoni i modalitetit
H Butoni tregues i nivelit të baterisë
J Vendi i mbajtjes së puntovet
K Vendi i fiksimit të rripit
L Kapësja e rripit
M Adaptorit*
*JO STANDARDE E PËRFSHIRË

SIGURIA

PARALAJMËRIME TË PËRGJITHSHME TË SIGURISË PËR PAJISJET ELEKTRIKE

⚠ PARALAJMËRIM Lexoni të gjitha paralajmërimet e sigurisë, udhëzimet, ilustrimet dhe specifikimet e paraqitura me këtë vegël pune. Mosrespektimi i të gjitha udhëzimeve të renditura më poshtë mund të rezultojë në goditje elektrike, zjarr dhe/ose дѐmtime të рѐнда.

Ruani të gjitha paralajmërimet dhe udhëzimet për referencë në të ardhmen.

Termi “pajisje elektrike” në paralajmërimet e referohet pajisjes elektrike që пѐrdoret nga priza (me kablo) ose pajisjes elektrike me bateri (me bateri).

1) SIGURIA E ZONËS SË PUNËS

- a) Mbajeni zonën e punës të pastër dhe të ndriçuar mirë. Zonat e çrregullta ose të errëta janë një ftesë për aksidente.
- b) Mos i пѐrdorni pajisjet elektrike në situata me mundësi shpërthimi, si në prani të lëngjeve, gazeve ose pluhurave të djegshëm. Pajisjet elektrike shkaktojnë shkëdija që mund të nderzin pluhurat ose avujt.
- c) Mbajeni fëmijët dhe personat e тjerë larg gjatë пѐrdorimit të veglës së punës. Тѐrheqja e vëmendjes mund të shkaktojë humbjen e kontrollit.

2) SIGURIA ELEKTRIKE

- a) Spinat e veglës së punës duhet të përputhen me prizën. Mos modifikoni kurrë spinën në asnjë mënyrë. Mos пѐrdorni asnjë spinë пѐrshtatëse me veglat e punës me tokëzim. Mos modifikuara dhe prizat пѐrshtatëse do të zvogëlojnë rrezikun e goditjes elektrike.
- b) Shmangni kontaktin trupor me sipërfaqe të tokëzuara si tuba, radiatorë, soba dhe frigoriferë. Ka një rrezik më të madh të goditjeve elektrike nëse trupi është i tokëzuar.
- c) Mos ekspozoni veglat e punës në shi ose në kushte me lagështi. Uji që hyn në veglën e punës do të rritë rrezikun e goditjes elektrike.
- d) Mos abuzoni me kordonin. Mos e пѐrdorni kurrë kordonin për transportin, тѐrheqjen ose heqjen e spinës së veglës së punës. Mbajeni kordonin larg nga nxehtësia, vaji, ига и mprehta ose pjesët që lëvizin. Kordonët e дѐmtuar ose të ngatërruar rritin rrezikun e goditjeve elektrike.

- e) Kur përdorni një vegël pune në mjedise të jashtme, përdorni një kordon zgjatues të përshtatshëm për përdorim në mjedise të jashtme. Përdorimi i një kordoni të përshtatshëm për përdorim në mjedise të jashtme zvogëlon rrezikun e goditjes elektrike.
- f) Nëse është e pamëshueshme përdorimi i një mjeti me korrent në një vend me lagështi, përdorni një pajisje mbrojtëse nga rryma (RCD). Përdorimi i një RCD pakëson rrezikun e goditjeve elektrike.
- 3) **SIGURIA PERSONALE**
- a) Qëndroni në gatishmëri, shikoni se çfarë po bëni dhe përdorni gjykimin kur përdorni një vegël pune. Mos e përdorni një vegël pune kur jeni i lodhur ose nën ndikimin e ilaçeve, alkoolit ose mjekimit. Një moment humbjeje e vëmendjes gjatë përdorimit të veglave të punës mund të shkaktojë dëmtime të rënda personale.
- b) Përdorni pajisje personale mbrojtëse. Mbani gjithmonë pajisje për mbrojtjen e syve. Pajisjet mbrojtëse si maska kundër pluhurit, këpucët që nuk rrëshqasin, kaskat ose pajisjet për mbrojtjen e veshëve për kushtet përkatëse ulin rrezikun e dëmtimeve fizike.
- c) Parandaloni ndezjen e rastësishme. Sigurohuni që çelësi është në pozicionin fikur para se të lidhni burimin e energjisë dhe/ose baterinë, para se të merrni ose të transportoni pajisjen. Transportimi i veglave të punës duke e mbajtur gishtin në çelës ose ndezja e mjeteve me korrent që kanë çelësin të ndezur është burim aksidentesh.
- d) Hiqni çdo çelës ose çelës përshtatës para ndezjes së veglës së punës. Një çelës i lënë i lidhur me një pjesë rrotulluese të veglës së punës mund të shkaktojë dëmtime personale.
- e) Mos u zgjasni. Mbani një vendosje të mirë të këmbëve dhe një ekuilibër të mirë në çdo moment. Kjo gjë bën të mundur një kontroll më të mirë të veglës së punës në situata të papritura.
- f) Vishuni në mënyrën e duhur. Mos vishni veshje të gjera ose bizhuteri. Mbajini flokët dhe rrobat larg nga pjesët e lëvizshme. Veshjet e gjera, bizhuteritë ose flokët e gjatë mund të kapen nga pjesët në lëvizje.
- g) Nëse janë ofruar pajisje për lidhjen e pajisjeve të mbledhjes dhe nxjerrjes së pluhurave, sigurohuni që ato të jenë të lidhura dhe të përdoren si duhet. Përdorimi i mbledhjes së pluhurave mund të zvogëlojë rreziqet në lidhje me pluhurat.
- h) Mos lejoni që familjarizimi i fituar nga përdorimi i shpeshtë i veglave t'ju bëjë të ndiheni tepër të sigurt në vetvete dhe të shpërfillni parimet e sigurisë për pajisjet. Një veprim i pakujdesshëm mund të shkaktojë dëmtime të rënda në më pak se një sekondë.
- 4) **PËRDORIMI DHE KUJDESI PËR VEGLËN E PUNËS**
- a) Mos ushtroni forcë mbi veglën e punës. Përdorni veglën e punës të duhur për përdorimin tuaj. Vegla e punës e duhur do të realizojë një punë më të mirë dhe më të sigurt dhe me shpejtësinë që ajo është e projektuar.
- b) Mos përdorni veglën e punës nëse çelësi nuk e ndez apo e fik. Çdo vegël pune që nuk mund të kontrollohet me anë të çelësit është e rrezikshme dhe duhet të riparohet.
- c) Shkëputeni spinën nga burimi i energjisë dhe/ose hiqeni paketën e baterisë, nëse është e mundur, nga mjeti me korrent para se të bëni rregullime, ndryshoni aksesorët ose vendosni mjetet me korrent. Këto masa parandaluese ulin rrezikun e ndezjes aksidentale të mjeteve të punës.
- d) Mbani veglat e punës larg fëmijëve dhe mos lejoni personat e pamësuar me veglën e punës ose këto udhëzime për përdorim e pajisjes. Veglat e punës janë të rrezikshme në duart e përdoruesve të patrajnuar.
- e) Mirëmbajini veglat me korrent dhe aksesorët. Kontrolloni për mospërshtatje ose bllokim të pjesëve lëvizëse, thyerje të pjesëve dhe gjendje të tjera që mund të ndikojnë në funksionimin e veglës së punës. Nëse dëmtohet, riparoheni veglën e punës para përdorimit. Shumë aksidente shkaktohen nga veglat e punës jo të mirëmbajtura si duhet.
- f) Mbajini pajisjet prerëse të pastra dhe të mprehta. Pajisjet e prerjes të mirëmbajtura dhe me anë të mprehta kanë më pak mundësi për t'u bllokuar dhe janë më të lehta për t'u kontrolluar.
- g) Përdorni veglat e punës, aksesorët dhe puntot, etj. në përputhje me këto udhëzime, duke marrë parasysh kushtet e punës dhe punën që do të kryhet. Përdorimi i veglave për përdorime të ndryshme nga ato të përcaktuara mund të shkaktojë rreziqe.
- h) Mbajini dorezat dhe sipërfaqet ku mbaheni të tharta, të pastra dhe pa vajra ose graso. Dorezat dhe sipërfaqet ku mbaheni, kur janë të rrëshqitshme, nuk ju lejojnë ta menaxhoni dhe ta kontrolloni në mënyrë të sigurt pajisjen në situata të papritura.
- 5) **PËRDORIMI DHE KUJDESI PËR VEGLËN ME BATERI**
- a) Karikojeni vetëm me karikuesin e specifikuar nga prodhuesi. Një karikues që është i përshtatshëm për një lloj baterie mund të krijojë rrezik për zjarr kur përdoret me një bateri tjetër.
- b) Përdorni vetëm mjetet me bateri që kanë bateri të krijuara në mënyrë të posaçme për to. Përdorimi i çdo baterie tjetër mund të krijojë rrezik për dëmtime dhe zjarr.
- c) Kur bateria nuk është në përdorim, mbajeni larg nga objektet e tjera metalike si kapës të letrës, monedhat, çelësat, gozhdët, vidat ose objektet e tjera të vogla metalike që mund të bëjnë lidhjen e një terminali me terminalin tjetër. Bashkimi i terminalëve së bashku mund të shkaktojë djegie ose zjarr.
- d) Nëse kushtet janë të papërshtatshme, nga bateria mund të dalin lëngje; shmangni kontaktin. Nëse kontakti ndodh padashur, shpëlajeni me ujë. Nëse lëngu ju bie në kontakt me sytë, kërkonte ndihmë mjekësore. Lëngu që del nga bateria mund të shkaktojë iritrim ose djegie.
- e) Mos përdorni bateri ose mjete që janë dëmtuar ose modifikuar. Bateritë e dëmtuara ose të modifikuara mund të shfaqin sjellje të paparashikuara, duke shkaktuar zjarr, shpërthim ose rrezik dëmtimesh fizike.
- f) Mos e ekspozoni një pako baterish ose një vegël ndaj zjarrit ose temperaturës shumë të lartë. Ekspozimi ndaj zjarrit ose një temperature mbi 130°C mund të shkaktojë shpërthim.
- g) Ndiqni të gjitha udhëzimet për karikimin dhe mos e karikoni baterinë ose veglën jashtë gamës së temperaturës që specifikohet tek udhëzimet. Karikimi i papërshtatshëm ose në temperatura jashtë gamës së specifikuar mund të dëmtojë baterinë dhe të rritë rrezikun për zjarr.

6) SHËRBIMI

- a) Shërbimi i veglës së punës duhet të kryhet nga një person i kualifikuar për riparimet duke përdorur vetëm pjesë ndërrimi identike. Kjo gjë do të sigurojë ruajtjen e sigurisë së veglave të punës.
- b) Mos u mundoni asnjëherë t'i riparoni bateritë e dëmtuara. Riparimi i baterive duhet të kryhet vetëm nga prodhuesi ose ofruesit e autorizuar të shërbimit.

UDHËZIME SIGURIE PËR VIDATORËT ME ÇEKIÇ ME BATERI

- Mbajeni mjetin e punës duke kapur sipërfaqet e izoluara të prekjës kur bëni një punë aty ku kapësja mund të bjerë në kontakt me tela të fshehur (kapëset që bien në kontakt me një tel me korrent mund të ekspozojnë pjesët metalike të mjetit të punës në korrent dhe mund t'i japin përdoruesit një goditje elektrike)

TË PËRGJITHSHME

- Pluhurat nga materialet si boja me plumb, disa lloje drurësh, mineralesh dhe metalesh mund të jenë të dëmshme (kontakti ose thithja e pluhurave mund të shkaktojë reagime alergjike dhe/ose sëmundje respiratore për përdoruesin ose personat përreth); **mbani një maskë për pluhurat dhe punoni me një pajisje për heqjen e pluhurave kur mund të lidhet**
- Disa lloje pluhurash janë klasifikuar si kancerogjene (si pluhuri i lisit dhe i ahut) veçanërisht në ndërthurje me lëndët shtesë për kondicionimin e drurit; **mbani një maskë për pluhurat dhe punoni me një pajisje për heqjen e pluhurave kur mund të lidhet**
- Respektoni kërkesat kombëtare në lidhje me pluhurat për materialet me të cilat dëshironi të punoni
- Mos punoni me materiale që përmbajnë asbest (asbesti konsiderohet kancerogjen)
- Sigurohuni që çelësi i zgjedhjes së rrotullimit A(2) të jetë në pozicionin e mesit (bllokues) para se të bëni ndonjë rregullim ose të ndërroni aksesorët, si dhe kur transportoni ose magazinoni veglën

AKSESORËT

- SKIL mund të garantojë funksionimin pa probleme të veglës vetëm kur përdoren aksesorë origjinalë
- Përdorni vetëm aksesorë me një shpejtësi të lejuar që përputhet të paktën me shpejtësinë më të lartë pa ngarkesë të pajisjes

PARA PËRDORIMIT

- Shmangni dëmtimet që mund të shkaktohen nga vidat, gozhdët dhe elementet e tjera në materialin e punës; hiqni ato para se të filloni punën
- Siguroni materialin e punës** (një material i shtrënguar me një pajisje shtrëngimi ose morsi mbahet në mënyrë më të sigurt se sa me dorë)
- Përdorni detektorë përkatës për të gjetur linjat e fshehura të shërbimit ose telefononi kompaninë lokale të shërbimeve për ndihmë** (kontakti me linjat elektrike mund të shkaktojë zjarr ose goditje elektrike; dëmtimi i një linje gazi mund të shkaktojë një shpërthim; shpimi i një tubi uji do të shkaktojë dëmtim të pronës ose një goditje elektrike)

BATERITË

- Bateria e dhënë është pjesërisht e karikuar** (për të siguruar kapacitet të plotë të baterisë, karikojeni baterinë plotësisht në karikuesin e baterisë para se ta përdorni mjetin për herë të parë).
- Përdorni vetëm bateritë dhe karikuesit e mëposhtëm**

me këtë mjet

- Bateri SKIL: BR1*31****
- Karikues SKIL: CR1*31****
- Mos e përdorni baterinë nëse është e dëmtuar; ajo duhet të zëvendësohet menjëherë
- Mos e çmontoni baterinë
- Mos e ekspozoni mjetin/baterinë në shi
- Lejohet temperatura e ambientit (vegël/karikuesin/bateri):
 - kur karikoni 4...40°C
 - gjatë punës -20...+50°C
 - gjatë magazinimit -20...+50°C

SHPJEGIMI I SIMBOLEVE NË VEGËL/BATERI

- ③ Lexoni manualin e udhëzimeve para përdorimit
- ④ Bateritë mund të shpërthojnë kur hidhen në zjarr, prandaj mos i digjni bateritë për asnjë arsye
- ⑤ Ruajeni veglën/karikuesin/baterinë në vende ku temperatura nuk i kalon 50°C
- ⑥ Mos i hidhni veglat elektrike dhe bateritë së bashku me mbeturinat shtëpiake

PËRDORIMI

- Karikimi i baterisë
- ! Lexoni paralajmërimet dhe udhëzimet e sigurisë të dhëna me karikuesin**
- Heqja/instalimi i baterisë ②
- Treguesi i nivelit të baterisë ⑦
 - shtypni butonin tregues të nivelit të baterisë H për të shfaqur nivelin aktual të baterisë ⑦a
 - ! kur fillon të pulsojë niveli më i ulët i treguesit të baterisë pasi keni shtypur H⑦b, bateria është bosh**
 - ! kur 2 nivelet e treguesit të baterisë fillojnë të pulsojnë pasi keni shtypur butonin H⑦c, bateria nuk është brenda temperaturës së lejuar**
- Mbrojtja e baterisë
- Mjeti fiket papritur ose nuk ndizet kur
 - ngarkesa është tepër e lartë --> hiqeni ngarkesën dhe ndizeni përsëri
 - temperatura e baterisë nuk është brenda nivelit të lejuar të temperaturës prej -20 deri në +50° --> 2 nivelet e treguesit të nivelit të baterisë fillojnë të pulsojnë kur shtypni butonin H⑦c; prisi derisa bateria të jetë brenda temperaturës së lejuar
 - bateria është thuarje bosh (për t'u mbrojtur nga dëmtimi për shkak të shkarkimit të thellë) --> niveli i ulët i baterisë ose pulsimi për shkak të nivelit të ulët të baterisë ⑦b tregohet në treguesin e nivelit të baterisë kur shtypni butonin H; karikoni baterinë
 - ! mos vazhdoni të shtypni çelësin e ndezjes/fikjes pasi pajisja të fiket automatikisht; bateria mund të dëmtohet**
- Vendosja e kapëses së rripit ⑧
 - vendosni kapësen e rripit L në trapan me vidën e dhënë.
- Ndryshimi i drejtimin të rrotullimit ⑨
 - kur është vendosur si duhet në pozicionin majtas/djathtas, çelësi E② nuk mund të aktivizohet
 - ! ndryshoni drejtimin e rrotullimit vetëm kur pajisja të jetë plotësisht e ndaluar**
- Çelësi i kombinuar për ndezje/fikje ⑩ dhe kontrolli i shpejtësisë ⑪
 - kontrolloni shpejtësinë në shkallë nga zero në maksimum duke ushtruar më pak ose më shumë tryzni

- mbi E^②
- Drita LED ¹²
 - Drita LED ndizet kur aktivizoni çelësin e ndezjes/fikjes E ose kur shtypni butonin e dritës LED F ose butonin e modalitetit G
 - Shtypni butonin e dritës LED për të zgjedhur ndriçimin e dëshiruar:
 - Ndriçim i ulët** - fiket përafërsisht. 10 sekonda pas lëshimit të çelësit të ndezjes/fikjes
 - Ndriçim i lartë** - fiket përafërsisht. 600s pas lëshimit të çelësit të ndezjes/fikjes
 - ! **Kur drita LED fillon të pulsojë, kjo do të thotë se është aktivizuar mbrojtja e baterisë (shiko më sipër)**
- Përzgjedhësi i modalitetit ¹³
 - shtypni butonin e zgjedhjes së modalitetit G për të zgjedhur modalitetin e dëshiruar:
 - Modaliteti me shpejtësi të ulët (drita "1" ndizet jeshile)** ^{13a}
 - shtrëngim me më pak forcë dhe me shpejtësi të ulët
 - për bulona dhe vida të vogla
 - Modaliteti i shpejtësisë mesatare (dritat "1&2" ndizen jeshile)** ^{13b}
 - shtrëngim me forcë rrotulluese dhe shpejtësi mesatare
 - për vida në aplikim të mesëm
 - Modaliteti me shpejtësi të lartë (dritat "1&2&3" ndizen jeshile)** ^{13c}
 - shtrëngim me forcë dhe shpejtësi të lartë
 - për vida dhe bulona të mëdhenj
 - Modaliteti i kontrollit mbrapsht (drita "RM" ndizet jeshile)** ^{13d}
 - për lirin e bulonave dhe dadove
 - ndalon kur buloni ose dadoja lirohet
 - ! **modaliteti i kontrollimit të rrotullimit mbrapsht është i disponueshëm vetëm me rrotullimin mbrapsht; në rrotullimin përpara përdoret për shpejtësinë e lartë**
 - ! **modalitetet mund të ndryshohen kur dritat LED aktivizohen dhe kur mjeti është i ndaluar plotësisht**
- Instalimi dhe heqja e bazave ¹⁴
 - për të instaluar një kokë, thjesht shtypni atë të çelësi katror D
 - për heqjen e një koke, thjesht shpëputeni nga çelësi katror D
 - ! **përdorni vetëm koka me çelës katror 3/8"** ^{14a}
 - ! **përdorni adaptorin M për foletë me bosht katror 1/2"** ^{14b}
 - ! **mos përdorni koka të dëmtuara**
- Mbajtja dhe drejtimi i veglës ¹⁵
 - ! **gjatë punës, mbajeni gjithmonë veglën në zonën(at) e dorezës me ngjyrë gri**
 - mbajini të çarat e ajrimit B^② të pambuluara
 - mos ushtroni shumë trysni mbi pajisje; lëroni pajisjen që të punojë për ju

KËSHILLË PËR PËRDORIMIN

- Përdorni puntot e duhura
- Kur vidhosni një vidë/pranë skajit të prerjes kryq ose një skaj të drurit, shpioni paraprakisht një vrimë për të shmangur krisjen e drurit
- Për një përdorim optimal të veglës kërkohet një presion i qëndrueshëm mbi vidë, veçanërisht kur ta hiqni

- Kur vidhosni në dru të fortë, duhet të shpioni paraprakisht një vrimë
- Për më shumë informacion, shikoni www.skil.com

MIRËMBAJTJA/SHËRBIMI

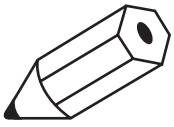
- Ky mjet nuk është bërë për përdorim profesional
- Mbajeni gjithmonë veglën dhe kordonin të pastër (veçanërisht hapësirat e ajrimit B^②)
- ! **! hiqeni baterinë nga mjeti para se ta pastroni**
- Nëse pajisja ka defekt pavarësisht kujdesit në prodhim dhe procedurat e provave, riparimi duhet të kryhet nga një qendër e shërbimit pas shitjes për veglat e punës të SKIL
 - dërgoni veglën të çmontuar së bashku me vërtetimin e blerjes të shitësi ose te qendra më e afër e shërbimit e SKIL (adresat si dhe diagrami i shërbimit i veglës janë të paraqitura në www.skil.com)
 - Kini parasysh se dëmtimet për shkak të mbingarkesës ose manovrimit të papërshtatshëm të veglës janë të përgjashura nga garancia (për kushtet e garancisë së SKIL vizitoni www.skil.com ose pyetni shitësin tuaj)

MJEDISI

- **Mos i hidhni veglat elektrike, bateritë, aksesorët dhe paketimin së bashku me materialet e mbeturinave familjare** (vetëm për vendet e BE-së)
 - në respektim të Direktivës evropiane 2012/19/EC për pajisjet elektrike dhe elektronike si mjetje dhe zbatimin e saj në përputhje me ligjet kombëtare, pajisjet elektrike që kanë arritur në fund të jetëgjatësisë së tyre duhet të mblihdhen në ndara dhe të kthehen në një objekt riciklimi në përputhje me mjedisin.
 - simboli ^⑥ do t'ju kujtojë për këtë gjë kur të jetë nevojta për t'i hedhur
 - ! **para hedhjes mbroni terminalet e baterisë me njëjtës të fortë për të parandaluar qarkun e shkurtër**

ZHURMA/DRIDHJET

- I matur sipas EN62841, niveli i presionit të zhurmës së këtij mjete është 88 dB(A) dhe niveli i fuqisë së zhurmës është 99 dB(A) (toleranca K = 3 dB), dhe dridhja 9.1 m/s² (shuma e vektorit triax; toleranca K = 1.5 m/s²)
- Niveli i emetimit të dridhjeve është matur sipas një testi të standardizuar të përcaktuar në EN62841; ai mund të përdoret për të krahasuar një mjet me një tjetër, si edhe si një vlerësim paraprak i ekspozimit ndaj dridhjeve e përdorni mjedin për proceset e përmendura
 - përdorimi i pajisjes për procese të ndryshme, ose me aksesorë të ndryshëm dhe të mirëmbajtur keq, mund të rritë ndjeshëm nivelin e ekspozimit
 - kohët kur pajisja është e fikur dhe kur është e ndezur por jo në punë, mund të zvogëlojnë ndjeshëm nivelin e ekspozimit
 - ! **mbroni veten nga efektet e vibrimit duke mirëmbajtur pajisjen dhe aksesorët e saj, duke i mbajtur duart e ngrrohta dhe duke organizuar mënyrën tuaj të punës**



چرخش رو به جلو برای سرعت زیاد استفاده می‌شود
! حالت‌ها را فقط زمانی می‌توان تغییر داد که LED (های) سبزرنگ فعال شده باشند و ابزار در حالت توقف کامل باشد

- نصب و حذف سوکت‌ها 14
- برای نصب سوکت . کافیسیت آن را روی درایو مرعی D فشار دهید
- برای حذف سوکت . کافیسیت آن را از درایو مرعی D بکشید
- !** فقط از سوکت‌های با سر مرعی A/۳ اینچ استفاده کنید 14a
- !** از آداپتور M برای سوکت‌های 1/۲ اینچی با درایو چهارگوش استفاده کنید 14b
- !** از سوکت‌های آسیب‌دیده استفاده نکنید
- نگهداشتن و هدایت ابزار 15
- !** هنگام کار باید همیشه ابزار را از جا (های) دست خاکستری رنگ بگیرد
- شیارهای تهویه B 1 را مسدود نکنید
- فشار بیش از حد به ابزار وارد نکنید؛ بگذارید ابزار به جای شما کار کند

توصیه‌های کاربردی

- از پیت‌های مناسب استفاده کنید
- هنگام سفت کردن یک پیچ در/کنار لبه یا مقطع برش یک تکه چوب. ابتدا یک سوراخ ایجاد کنید تا چوب ترک نخورد
- برای عملکرد بهینه ابزار باید فشار یکنواخت روی پیچ وارد شود. بخصوص موقعی که پیچ را خارج می‌کنید
- اگر می‌خواهید چوب‌های سفت را پیچ کنید باید ابتدا یک سوراخ ایجاد کنید
- برای اطلاعات بیشتر به www.skil.com مراجعه کنید

نگهداری خدمات

- این ابزار برای مصارف حرفه‌ای مناسب نیست
- همیشه ابزار را تمیز نگه دارید (به‌خصوص شیارهای تهویه B 1)
- !** پیش از تمیز کردن باید باتری را از ابزار جدا کنید
- اگر ابزار علیرغم تمام دقت و مراقبتی که در فرایندهای تولید و تست بکار برده شده از کار افتاد. تعمیرات باید فقط در مراکز خدمات پس از فروش ابزارهای برقی SKIL انجام شود
- ابزار را به‌صورت بازنشده همراه با رسید خرید به فروشنده یا نزدیک‌ترین مرکز خدماتی SKIL بفرستید (آدرس‌ها به همراه نقشه سرویس ابزار در www.skil.com موجود است)
- توجه داشته باشید که خرابی و خسارت ناشی از اضافه‌بار یا کار کردن نادرست با ابزار مشمول ضمانت نخواهند بود (برای اطلاع از شرایط ضمانت SKIL به نشانی www.skil.com مراجعه کرده یا از فروشنده خود سؤال کنید)

محیط زیست

- ابزارهای برقی، باتری‌ها، لوازم و بسته‌بندی آن‌ها را نباید همراه با زباله‌های عادی خانگی دور انداخت (فقط مخصوص کشورهای عضو اتحادیه اروپا)
- با توجه به مصوبه اروپایی CE/11/10۰۲ اروپا درباره لوازم برقی و الکترونیکی مستعمل و اجرای این مصوبه مطابق با قوانین کشوری، ابزارهای برقی که به پایان عمر مفید خود رسیده اند باید جداگانه جمع آوری شده و به یک مرکز بازیافت مناسب و سازگار با محیط زیست انتقال یابند
- نماد 1 یادآور این مسئله در هنگام دور انداختن است
- !** قبل از دور انداختن باتری حتماً باید روی پایانه‌های باتری را با نوار چسب سنگین بپوشانید تا اتصال کوتاه نکند

صداء ارتعاشات

- طبق استاندارد 1۴۸۲TNE، میزان فشار صوتی این ابزار ۸۸ دسی‌بل (A) و میزان توان صوتی آن ۹۹ دسی‌بل (A) (عدم قطعیت K = ۳ دسی‌بل). و میزان ارتعاشات آن ۱،۹ متر/مخزور ثانیه (جمع بردارهای سه‌جهت: عدم قطعیت K = ۰،۱ متر/مخزور ثانیه) می‌باشد
- میزان انتشار ارتعاشات صوتی بر اساس تست استاندارد شده‌ی 1۴۸۲TNE اندازه‌گیری شده است؛ از این تست می‌توان برای مقایسه ابزارها با یکدیگر همچنین برای ارزیابی اولیه ارتعاشات صوتی ابزار الکتریکی برای موارد ذکر شده‌ی فوق استفاده کرد
- استفاده از ابزار برای کاربردهای متفاوت یا با لوازم و قطعات متفاوت با لوازم و متعلقاتی که بد نگهداری شده‌اند، می‌تواند میزان در معرض بودن را به‌طور قابل‌ملاحظه‌ای افزایش دهد

- مواقعی که ابزار خاموش است یا وقتی کاری با آن انجام نمی‌شود. میزان در معرض بودن به‌طور قابل‌توجهی کاهش می‌یابد
- !** با نگهداری مناسب از ابزار و لوازم و متعلقات آن، گرم نگه‌داشتن دست‌های خود، و سازمان‌دهی طرح‌های کاری می‌توانید خود را در برابر اثرات ارتعاش محافظت کنید

(خ) تمام دستورات عمل‌های مربوط به شارژ باتری را رعایت کنید. هرگز دستگاه را خارج از محدوده دمای ذکر شده در دفترچه راهنما شارژ نکنید. شارژ نادرست یا شارژ کردن در دمای خارج از محدوده ذکر شده می‌تواند به باتری آسیب برساند و خطر آتش‌سوزی را بالا ببرد.

(۶) سرویس
 (ا) برای سرویس ابزار الکتریکی به تعمیرکار ماهر رجوع کنید و تنها از وسایل بدی یکسان استفاده کنید. این باعث خواهد شد که ایمنی ابزار الکتریکی شما تضمین گردد.

(ب) هرگز بستهای باتری آسیب‌دیده را سرویس نکنید. عملیات سرویس بسته‌های باتری باید فقط توسط سازنده یا مراکز خدماتی مجاز انجام شود.

دستورات عمل‌های ایمنی برای آچار ضربه‌ای سیسیم

• هنگام استفاده از دستگاه در جایی که امکان دارد بست‌های آن با سیم‌های مخفی تماس پیدا کنند، باید آن را از دستگاه‌های عایق ن‌گیرید (تماس بسته‌های ابزار یا سیم «برق‌دار» می‌تواند در بخش‌های فلزی دستگاه نیز جریان «برق» تولید کند و موجب برق‌گرفتگی کاربر شود)

عمومی

- گرد و خاکی که از موادی مانند رنگ‌های حاوی سرب، برخی گونه‌های چوب، مواد معدنی و فلزات بلند می‌شود می‌تواند خطرناک باشد (تماس با این گرد و خاک با تنفس آنها می‌تواند در کاربرد یا افراد نزدیک به محل کار واکنش‌های حساسیتی و یا بیماری‌های تنفسی ایجاد کند). یک ماسک مخصوص گرد و خاک بزنید و در صورت امکان از یک وسیله مکش گرد و خاک استفاده کنید
- برخی از گرد و خاک‌ها (مانند گرد و خاکی که از چوب بلوط یا راش بلند می‌شود) مخصوصاً در مجاورت افزودنی‌های مخصوص چوب، سرطاناتزا هستند؛ یک ماسک مخصوص گرد و خاک بزنید و در صورت امکان از وسیله مکش گرد و خاک استفاده کنید.
- از مقررات ملی مربوط به گرد و خاک موادی که می‌خواهید با آنها کار کنید پیروی نمایید
- با مواد حاوی آزیست کار نکنید (آزیست سرطاناتزا است)
- قبل از هرگونه تنظیم یا تعویض قطعات و نیز حمل و قرار دادن ابزار در محل نگهداری آن مطمئن شوید که انتخابگر TA روی وضعیت میانی (قفل) باشد

متعلقات

- SKIL تنها در صورتی که از لوازم و قطعات اصل استفاده کنید، عملکرد بی‌نقص را تضمین می‌نماید
- قطعات باید فقط با سرعت چرخش مجاز که معادل بالاترین سرعت بدون بار ابزار هستند به کار برده شوند

پیش از استفاده

- پیچ‌ها، میخ‌ها و سایر اجزا دیگر می‌توانند به قطعه کاری شما آسیب بزنند؛ بنابراین پیش از شروع کار آنها را بردارید
- قطعه کاری را محکم کنید (اگر قطعه کاری را با گیره‌های بخاری یا گیره‌های رومی‌زی ثابت کنید بسیار مطمئن‌تر از گرفتن آن با دست خواهد بود)
- برای پیدا کردن سیم و لوله‌های پنهان از شناساگرهای مناسب استفاده کنید یا با شرکت‌های خدمات محلی تماس بگیرید و از آن‌ها کمک بخواهید (تماس با سیم‌های برق موجب آتش‌سوزی و برق‌گرفتگی می‌شود؛ آسیب رساندن به لوله‌گاز سبب انفجار می‌شود؛ سوراخ کردن لوله‌های آب به ساختمان آسیب می‌رساند و موجب خطر برق‌گرفتگی می‌شود)

باتری‌ها

- شارژ باتری ارائه‌شده کامل نیست (برای تضمین کامل بودن ظرفیت باتری باید باتری را پیش از اولین استفاده از دستگاه به‌طور کامل با شارژر باتری شارژ کنید).
- تنها از باتری‌ها و شارژرهای زیر با این ابزار استفاده کنید
 - باتری SKIL: BR1 ۳۱۰۳۳۳۳۳
 - شارژر SKIL: CR1 ۳۱۰۳۳۳۳۳
- اگر باتری آسیب دیده است از آن استفاده نکنید؛ باید فوراً آن را عوض کنید
- باتری را از هم باز نکنید
- ابزار/باتری نباید در معرض باران قرار داده شود
- دمای محیطی مجاز (ابزار/شارژر/باتری):
 - هنگام شارژ: ۰ تا ۴۰ درجه سانتیگراد
 - هنگام کار: ۰ تا ۵۰ درجه سانتیگراد
- قرار دادن در محل نگهداری ۰ تا ۵۰ درجه سانتیگراد

شبح علائم و نمادهای ابزار/باتری

(۲) پیش از کار حتماً دفترچه راهنما را مطالعه کنید

۴

اگر باتری‌ها در آتش انداخته شوند امکان انفجار آن‌ها وجود دارد. بنابراین هرگز و به هیچ دلیلی باتری را نسوزانید

۵

ابزار/شارژر/باتری را در مکانی نگه دارید که دمای آن از ۵۰ درجه سانتیگراد تجاوز نمی‌کند

۱

ابزار الکتریکی و باتری‌ها را نباید همراه با زباله‌های عادی خانگی دور انداخت

استفاده

- شارژ کردن باتری
- هشدارها و دستورات عمل‌های ارائه‌شده همراه شارژر را مطالعه کنید
- برداشتن/قرار دادن باتری (۱)
- نشانگر شارژر باتری (۲)
- برای نمایش سطح کنونی باتری (۳) دکمه نشانگر شارژر باتری H را فشار دهید
- اگر با فشار دادن دکمه (۴) b، نشانگر پایین‌ترین سطح باتری شروع به چشمک زدن می‌کند، باتری تخلیه شده است
- هنگامیکه ۲ سطح از نشانگر باتری بعد از فشار دادن دکمه (۳) c شروع به چشمک زدن می‌کند، باتری در محدوده دمای کاری مجاز نیست
- محافظت باتری

ابزار در شرایط زیر ناگهان خاموش شده و روشن نمی‌شود

- بار وارده بیش از حد مجاز است << بار را بردارید و دستگاه را مجدداً راه‌اندازی کنید

دمای باتری

- هنگام استفاده از محدوده دمای کاری مجاز ۲۰- تا ۵۰+ درجه سانتیگراد نیست << ۲ سطح از نشانگر شارژر باتری هنگام فشار دادن دکمه (۳) c شروع به چشمک زدن می‌کند؛ صبر کنید تا باتری به محدوده دمای کاری مجاز بازگردد
- باتری عملاً تخلیه شده است (برای محافظت در برابر تخلیه عمیق) << یک سطح باتری ضعیف یا سطح باتری ضعیف (۴) b چشمک‌زن در صورت فشار دادن دکمه H روی نشانگر سطح باتری دیده خواهد شد؛ باتری را شارژ کنید
- ! بعد از خاموش شدن خودکار ابزار کلید روشن/خاموش را مرتب فشار ندهید؛ امکان دارد باتری آسیب ببیند

وصل کردن گیره کمربند (۵)

- وصل کردن گیره کمربند (۵)
 - گیره کمربند را با پیچ ارائه‌شده به آچار وصل کنید
- تغییر جهت چرخش (۶)
- کلید (۱) در صورتی که درست در وضعیت چپ/راست تنظیم نشده باشد، فعال نخواهد شد

! فقط زمانی جهت چرخش ابزار را عوض کنید که ابزار در حالت توقف کامل باشد

- کلید ترکیبی برای روشن/خاموش کردن (۱) و کنترل سرعت (۱۱)
- با کمک یا زیاد کردن فشار دست روی (۲) می‌توانید دور را بدون پله از صفر تا حداکثر کنترل کنید

چراغ LED (۱۲)

- چراغ LED هنگام فعال کردن کلید روشن/خاموش E با فشار دادن دکمه چراغ F LED با دکمه حالت G روشن می‌شود
- برای انتخاب روشنایی دلخواه، دکمه چراغ LED را فشار دهید؛ روشنایی کم - تقریباً ۱۰ ثانیه پس از رها شدن کلید روشن/خاموش خاموش می‌شود
- روشنایی بالا - تقریباً ۶۰۰ ثانیه پس از رها شدن کلید روشن/خاموش خاموش می‌شود

! اگر سیستم محافظت باتری فعال شده باشد، چراغ DEL شروع به چشمک زدن سریع می‌کند (بخش بالا را ملاحظه کنید)

انتخاب حالت (۱۳)

- برای انتخاب حالت مورد نظر دکمه حالت G را فشار دهید؛ حالت سرعت پایین (چراغ «۱» سبز می‌شود) (۱۳a)
- سفت کردن یا گشایش کمتر و سرعت بیشتر و برای پیچ و مهره‌های کوچک و پیچ
- حالت سرعت متوسط (چراغ‌های «۱» و «۲» سبز می‌شوند) (۱۳b)
- سفت کردن یا گشایش و سرعت متوسط
- برای پیچ‌ها در کاربرد متوسط
- حالت سرعت بالا (چراغ‌های «۱» و «۲» و «۳» سبز می‌شوند) (۱۳c)
- برای نیروی و سرعت بالا سفت می‌کند
- برای پیچ‌های بزرگ
- حالت کنترل معکوس (چراغ «MR» سبز می‌شود) (۱۳d)
- برای شل کردن پیچها و مهره‌ها
- بعد از شل شدن پیچ یا مهره متوقف می‌شود
- ! حالت کنترل حرکت معکوس فقط در چرخش معکوس موجود است؛ در

ایمنی

راهنامه‌های ایمنی عمومی برای ابزارهای الکتریکی

FA هشدار! تمامی هشدارهای ایمنی، دستورالعملها، تصاویر و مشخصات ارائه شده همراه با این ابزار برقی را مطالعه کنید. در صورت عدم رعایت هشدارهای زیر خطر برق گرفتگی، آتش سوزی و یا بروز جراحت های شدید وجود دارد.

همه هشدارها و راهنماها را برای استفاده آتی نزد خود نگه دارید.

در این هشدارها عبارت «ابزار الکتریکی» به معنی ابزارهای الکتریکی فاقد باتری (با سیم برق) یا ابزارهای الکتریکی باتری‌دار (شارژی) است.

1) ایمنی محل کار

ا) محیط کار باید تمیز و دارای روشنایی مناسب باشد. محیط کار نامرتب و کم نور می‌تواند باعث سوانح کاری شود.

ب) با ابزار الکتریکی در محیط‌هایی که در آن خطر انفجار وجود دارد، مانند محیط‌های حاوی مایعات، گازها و غیره احتیاط کنید. کار نکنید. ابزارهای الکتریکی جرقه‌هایی ایجاد می‌کنند که ممکن است غبارها یا بخارها را مشتعل کنند.

ت) در هنگام کار با ابزار الکتریکی، کودکان و اطرافیان را از محل کار دور نگاه دارید. حواشی پرتی می‌تواند باعث شود کنترل وسیله را از دست بدهید.

2) ایمنی الکتریکی

ا) دوشاخه‌های ابزار الکتریکی باید با پریز همخوانی داشته باشند. دوشاخه را هرگز و به هیچ صورتی تغییر ندهید. برای ابزار ارت‌شده (دارای سیم اتصال به زمین) از دوشاخه‌های تبدیل استفاده نکنید. دوشاخه‌های بدون تغییر و پریزهای سازگار خطر برق‌گرفتگی را کاهش می‌دهند.

ب) از تماس بدنه یا سطوح متصل به زمین یا ارت‌شده مانند لوله‌ها، رادیاتورها، اجاق گاز و یخچال اجتناب کنید. اگر بدن شما ارت شود یا به زمین متصل شود خطر برق‌گرفتگی افزایش می‌یابد.

ت) ابزار الکتریکی را در معرض باران یا در محیط‌های مرطوب قرار ندهید. نفوذ آب به ابزار الکتریکی، خطر برق‌گرفتگی را افزایش می‌دهد.

ث) به سیم آسیب نرسانید. هرگز از سیم برای حمل، کشیدن یا بیرون آوردن دوشاخه ابزار الکتریکی از پریز استفاده نکنید. سیم ابزار را از گرما، روغن، لبه های تیز و قطعات متحرک دور نگه دارید. سیم‌های آسیب‌دیده یا در هم پیچیده خطر برق‌گرفتگی را افزایش می‌دهند.

ج) به هنگام کار با ابزار الکتریکی در محیط باز از کابل رابط مناسب برای محیط باز استفاده کنید. استفاده از سیم مناسب برای استفاده در محیط باز خطر برق‌گرفتگی را کاهش می‌دهد.

ح) اگر کار با ابزار الکتریکی در محیطی مرطوب اجتناب‌ناپذیر است، از یک کلید حفاظتی جریان خطا و نشستی زمین (کلید قطع‌کننده اتصال با زمین) استفاده کنید. استفاده از کلید قطع‌کننده اتصال با زمین خطر برق‌گرفتگی را کاهش می‌دهد.

3) رعایت ایمنی اشخاص

ا) هنگام کار با ابزار الکتریکی هشیار باشید. به کاری که می‌کنید دقت داشته باشید و با عقل سلیم خود استفاده کنید. به هنگام خستگی یا هنگام مصرف مواد، الکل یا دارو از ابزار الکتریکی استفاده نکنید. یک خطه غفلت هنگام کار با ابزار الکتریکی می‌تواند سبب وارد آمدن جراحت‌های شدید شود.

ب) از تجهیزات ایمنی شخصی استفاده نکنید. همواره از عینک ایمنی استفاده کنید. استفاده از تجهیزات ایمنی نظیر ماسک تنفسی ضد گرد و غبار، کفش‌های ایمنی ضد لگزش، کلاه ایمنی و گوشی ایمنی مناسب با نوع کار خطر آسیب‌های احتمالی را کاهش می‌دهد.

ت) از روشن شدن ناخواسته ابزار جلوگیری کنید. پیش از اتصال به منبع برق و یا بسته باتری، برداشتن یا حمل ابزار، اطمینان حاصل کنید که دکمه قطع و وصل در حالت خاموش قرار داشته باشد. در صورتیکه هنگام حمل دستگاه انگشت شما روی دکمه استارت باشد و یا اگر دستگاه را در حالت روشن به برق بزنید، ممکن است دچار سانحه شوید.

ث) پیش از روشن کردن ابزار الکتریکی، هرگونه اعلید یا آچار تنظیم‌کننده را بردارید. آچار یا کلیدهایی که روی بخش‌های چرخنده ابزار الکتریکی قرار دارند، می‌توانند باعث ایجاد جراحت شوند.

ج) هنگام کار با ابزار پیش از اندازه بدن خود را کشید و متمایل نشوید. در همه

حال جای پای محکم داشته باشید و تعادل خود را حفظ کنید. به این ترتیب می‌توانید ابزار الکتریکی را در وضعیت‌های غیرمنتظره بهتر تحت کنترل داشته باشید.

ح) لباس مناسب بپوشید. از پوشیدن لباس‌های گشاد و شل یا زیورآلات خودداری کنید. مو و لباس خود را دور از قطعات متحرک نگاه دارید. احتمال گیر کردن لباس‌های گشاد، زیورآلات یا موی بلند در قطعات متحرک دستگاه وجود دارد.

خ) در صورتیکه می‌توانید وسایل مکش گرد و غبار و یا وسیله جذب زائنه را به دستگاه نصب کنید، باید مطمئن شوید که این وسایل نصب و به شیوه‌ای درست استفاده می‌شوند. استفاده از وسایل مکش گرد و غبار می‌تواند خطرات مربوط به غبار را کاهش دهد.

د) اجازه ندهید آشنایی و تسلط حاصل از استفاده مکرر از ابزارها باعث شود حسن کنید لازم نیست دقت داشته باشید و قوانین ایمنی ابزار را نادیده بگیرید. یک عمل از روی بی‌دقتی می‌تواند در کسری از ثانیه موجب جراحت شدید شود.

ف) استفاده صحیح از ابزار الکتریکی و مراقبت از آن

ا) از وارد کردن فشار زیاد روی دستگاه خودداری کنید. بری هر کاری، از ابزار الکتریکی مناسب با آن استفاده کنید. به کار گرفتن ابزار الکتریکی مناسب باعث می‌شود بتوانید کار را بهتر و به شیوه‌ای ایمن‌تر و با سرعت طراحی‌شده برای آن انجام دهید.

ب) اگر ابزار یا کلید روشن و خاموش نمی‌شود، از آن استفاده نکنید. ابزار الکتریکی که امکان روشن و خاموش کردن آن با کلید وجود ندارد، خطرناک است و باید تعمیر شود.

ت) قبل از تنظیم ابزار الکتریکی، تعویض متعلقات و یا کنار گذاشتن آن، دوشاخه را از برق بکشید و یا اگر می‌شود باتری را جدا کرد. بسته باتری آن را خارج کنید. رعایت اقدامات ایمنی پیشگیرانه احتمال روشن شدن ناخواسته ابزار الکتریکی را کاهش می‌دهد.

ث) ابزار الکتریکی را در صورت عدم استفاده از دسترس کودکان دور نگه دارید و اجازه ندهید افراد ناوارد و یا اشخاصی که این دفترچه راهنما را نخوانده‌اند، با این دستگاه کار کنند. قرار گرفتن ابزار الکتریکی در دست افراد ناوارد و بی تجربه خطرناک است.

ج) از ابزار الکتریکی به خوبی نگهداری کنید. وجود نا میزانی یا اتصال میان اجزای متحرک، شکستگی قطعات و هرگونه وضعیت دیگری که ممکن است بر روی عملکرد ابزار الکتریکی تأثیر بگذارد را بررسی کنید. در صورت عدم آسیب، پیش از استفاده از ابزار آن را تعمیر کنید. بسیاری از اتفاقات به دلیل عدم نگهداری مناسب از ابزار الکتریکی روی می‌دهد.

ح) ابزار هرس را تمیز و تمیز نگه دارید. ابزار هرسی که خوب مراقبت شده و دارای لبه‌های تیز هستند، کمتر در قطعه کار گیر کرده و بهتر قابل‌هدایت می‌باشند.

خ) ابزار الکتریکی، متعلقات و دیگر لوازم جانبی آن را مطابق با دستورات این دفترچه و همچنین با در نظر گرفتن شرایط و نوع کار مورد استفاده قرار دهید. استفاده کردن از ابزار الکتریکی برای کارهایی که برای آن طراحی نشده است می‌تواند بسیار خطرناک باشد.

د) دسته‌ها و سطوح دستگیرها را خشک، تمیز و عاری از روغن و گریس نگه دارید. در صورت لیز بودن دسته‌ها و سطوح دستگیرها امکان گرفتن و کنترل ایمن ابزار در شرایط غیرمنتظره وجود نخواهد داشت.

ه) مراقبت و طرز استفاده از ابزارهای شارژی
باتری‌ها را منحصراً در دستگاه‌هایی شارژ کنید که توسط سازنده توصیه شده باشند. شارژی که برای یک نوع بسته باتری مناسب است، ممکن است اگر برای شارژ بسته باتری دیگر استفاده شود خطر آتش‌سوزی ایجاد کند.

ب) در ابزار الکتریکی، تنها از باتری‌هایی استفاده کنید که برای آن در نظر گرفته شده‌اند. استفاده از باتری‌های متفرقه می‌تواند منجر به جراحات و حریق گردد. در صورت عدم استفاده از باتری باید آن را از اجسام فلزی دیگر، از جمله گیره‌های فلزی، سکه، کلید، میخ، پیچ یا دیگر وسایل کوچک فلزی دور نگه دارید. زیرا برخورد با این وسایل می‌تواند باعث ایجاد اتصالی شود. ایجاد اتصالی بین ترمینال‌های باتری می‌تواند باعث سوختگی یا ایجاد حریق شود.

ث) استفاده بر رویه از باتری می‌تواند باعث خروج مایعات از آن شود. در چنین شرایطی از دست زدن به آن خودداری کنید. در صورت تماس اتفاقی با آن، دست خود را با آب بشویید. در صورت تماس با مایع یا مایع با چشم، به پزشک مراجعه کنید. مایع خارج‌شده از باتری می‌تواند باعث التهاب پوست و سوختگی شود.

ج) اگر یک بسته باتری یا ابزار آسیب دیده یا دستکاری شده است، نباید از آن استفاده کنید. باتری‌های آسیب‌دیده یا دستکاری‌شده ممکن است منجر به حوادث پیش‌بینی نشده، از جمله آتش‌سوزی، انفجار و جراحت شوند.

ح) بسته باتری یا ابزار را در معرض آتش یا دمای بسیار بالا قرار ندهید. قرار دادن در معرض آتش یا دمای بالاتر از ۱۳۱ درجه سانتیگراد می‌تواند باعث انفجار گردد.

خاطئة سيتم استيعاده من الضمان (المعرفة شروط ضمان SKIL انظر www.skil.com أو قم بسؤال التاجر)

البيئة

- لا تتخلص من الأدوات الكهربائية والبطاريات والملحقات ومواد التغليف مع النفايات المنزلية (الدول الاخوان الاوروبي فقط)
- وفقاً للتوجيه الأوروبي 2012/19/EC الخاص بنفايات المعدات الكهربائية والإلكترونية، وتطبيقه بالتوافق مع القانون المحلي. يجب جميع الأدوات الكهربائية الصالحة للاستخدام بشكل منفصل وإرسالها إلى أحد منشآت إعادة التصنيع المتوافقة مع البيئة
- سيذكر الرمز ① بهذا عند الحاجة إلى التخلص من أية آلة
- قبل التخلص من البطارية، قم بحماية أطراف توصيل البطارية بشريط قوي لمنع حدوث دائرة قصر (قفل للدائرة)

الضوضاء/الاهتزاز

- عند القياس بالتوافق مع المعيار 14871NE، يكون مستوى ضغط صوت هذه الآلة هو 88 ديسيبل (A) ومستوى قوة الصوت هو 99 ديسيبل (A) (نسبة الشك K = 3 ديسيبل). والاهتزاز 1.9 م/ثانية² مجموع الكميات الموجهة ثلاثي المحاور؛ نسبة الشك K = 0.5 م/ثانية²)
- تم قياس مستوى انبعاثات الاهتزاز بالتوافق مع الاختبار المعياري المحدد في 14871NE؛ يمكن استخدامه لمقارنة آلة بالآلة الأخرى وكتقييم مهيدي للتعرض للاهتزاز عند استخدام الآلة في التطبيقات الموضحة
- قد يؤدي استخدام الآلة في تطبيقات مختلفة أو مع ملحقات مختلفة أو ذات صيانة رديئة إلى زيادة مستوى التعرض بصورة كبيرة
- إن الفترة الزمنية التي يتم خلالها إيقاف تشغيل الآلة أو عندما تكون قيد التشغيل لكنها لا تؤدي أية مهام، قد تؤدي إلى تقليل مستوى التعرض بصورة كبيرة
- ! قم بحماية نفسك من تأثيرات الاهتزاز من خلال صيانة الآلة وملحقاتها. والحفاظ على يدك دافئتين وتنظيم أعطال العمل لديك

FA

٣٢٦٥

سرب نوب ميسريب يا هبرض راج

مهم دم

- ابن ايزار براي بيستن و شل كرنن بيج ها مي باشد
- ابن ايزار براي مصارف حرفه اي مناسب نيست
- اگر قطعاتي مفقود شده يا آسیب دیده اند، لطفاً با فروشنده خود تماس بگیرید
- لطفاً پیش از کار با دستگاه این دفترچه راهنما را با دقت مطالعه کنید و آن را برای استفاده آتی نگه دارید ③
- به دستورالعملهای ایمنی و هشدارها دقیقاً توجه کنید: عدم رعایت این هشدارها و دستورالعملها می تواند به بروز جراحتهای شدید منجر شود

اطلاعات فنی ①

حداکثر گشتاور برای استفاده به عنوان پیچ گوشتی بر اساس ISO 5393 20Nm :

اجزای ابزار ②

- جهت چرخش (جلو/مركز-قفل/معموس) انتخاب گر
- شيارهای تهويه
- چراغ DEL
- سدر مربعی
- کلید روشن/خاموش و کنترل دور
- چراغ LED
- کمه حالت
- دکمه نشانگر شارژ باتری
- محل قرار دادن بیت
- منطقه تعمیر بند
- گیره کمربند

- يتحكم في السرعة من الصفر وحتى السرعة القصوى على نحو غير متدرج بالضغط أكثر أو أقل على ① E
- مصباح LED ②
- يتم تشغيل مصباح LED عند تفعيل مفتاح التشغيل/الإيقاف أو الضغط إما على زر مصباح LED F أو زر الوضع G
- اضغط على زر مصباح LED لتحديد السطوع المطلوب:
- سطوع منخفض - يتم إيقاف تشغيله بعد 10 ثوانٍ تقريباً من خربير مفتاح التشغيل/الإيقاف
- سطوع عالٍ - يتم إيقاف تشغيله بعد 100 ثانية تقريباً من خربير مفتاح التشغيل/الإيقاف
- ! عندما يبدأ مصباح LED في الوميض بسرعة، يتم تنشيط خاصية حماية البطارية (انظر أعلى)
- اختيار الوضع ③
- اضغط على زر الوضع G لتحديد الوضع المطلوب:
- وضع السرعة المنخفضة (المصباح "1" يضيء باللون الأخضر) ④ a
- الربط بعزم أقل وسرعة منخفضة
- للمسامير والبراغي الصغيرة
- وضع السرعة المتوسطة (المصباح "1" و"2" تضيء باللون الأخضر) ④ b
- الربط بعزم متوسط وسرعة متوسطة
- للمسامير في الاستخدامات متوسطة الشاق
- وضع السرعة العالية (المصباح "1" و"2" و"3" تضيء باللون الأخضر) ④ c
- الربط بقوة وسرعة عالية
- للبراغي والمسامير كبيرة الحجم
- وضع التحكم في الدوران العكسي (المصباح "RM" يضيء باللون الأخضر) ④ d
- لفك البراغي والصواميل
- يتوقف عند الانتهاء من فك البرغي أو الصامولة
- ! يكون وضع التحكم متاحاً فقط في وضع الدوران للخلف: أما في وضع الدوران للأمام يتم استخدامه مع السرعة العالية
- ! لا يمكن تغيير الأوضاع إلا عندما يكون مصباح (مصباح) LED الخضراء نشطاً. وعندما تكون الآلة متوقفة تماماً
- تركيب المفاس وخلعها ⑤
- تركيب مقبس. ما عليك سوى دفعه على رأس الربط المربعة D
- خلع مقبس. اسحب للخارج عن رأس الربط المربعة D
- ! استخدم فقط المقابس المتوائمة مع رأس الربط المربعة A/3 بوصة ⑤ a
- ! استخدم المهايئ M للمقابس مع المفك المربع مقاس 1/2 بوصة ⑤ b
- ! لا تستخدم المقابس التالفة
- إمساك الآلة وتوجيهها ⑥
- ! أثناء العمل، احرص دائماً على الإمساك بالآلة من مناطق المقبض رمادية اللون
- احرص على عدم تغطية فتحات التهوية ⑥ B
- لا تضغط بشدة على الآلة، بل تركها تقوم بالعمل من أجلك

نصائح الاستخدام

- استخدم اللقم المناسبة
- عند ربط مسمار عند/بالقرب من طرف قطع مستعرض أو حافة قطعة خشبية، قم بعمل ثقب مسبق لتجنب تشقق الخشب
- للاستخدام الأمثل للآلة، يتطلب الأمر الضغط بنات على المسمار، وبالأخص عند فكه
- عند ربط مسمار في خشب صلب، يجب عمل ثقب مسبق
- لمزيد من المعلومات، زر موقعنا www.skil.com

الصيانة/الخدمة

- هذه الآلة غير معدة للاستخدام المهني
- احرص دائماً على نظام الآلة (خاصة فتحات التهوية ⑦ B)
- ! أزل البطارية من الآلة قبل التنظيف
- إذا تعذر تشغيل الآلة على الرغم من الحذر الشديد في إجراءات التصنيع والاختبار، فيجب القيام بالإصلاحات بواسطة مركز خدمة ما بعد البيع للآلات العاملة بالطاقة الخاصة بشركة SKIL
- قم بإرسال الآلة دون تفكيكها بالإضافة إلى إثبات الشراء إلى البائع أو أقرب مركز خدمة SKIL (العناوين بالإضافة إلى مخطط الخدمة متاحان على www.skil.com)
- كن على علم بأن التلف الناتج عن زيادة التحميل أو التعامل مع الآلة بطريقة

ينبغي للاحتفاظ بحوافها المقاطعة حادة تكون أقل عرضة للانحناء وسهل التحكم فيها.

خ) استخدم الآلة والملحقات واللقم وما شابههم وفقاً لهذه التعليمات، مع الأخذ في الاعتبار ظروف العمل والأعمال التي سيتم تنفيذها. قد يؤدي استخدام الآلة في أعمال غير تلك المخصصة لها إلى حدوث خطيرة.

د) احتفظ بالمقابض وأسطح الإمساك جافة ونظيفة وخالية من الزيوت والشحوم. لأن المقابض وأسطح الإمساك المنزقة لا تمنح القدرة على التعامل والتحكم الآمن في الآلة في المواقف غير المتوقعة.

هـ) استخدم الآلة العاملة بالبطارية والعناية بالبطارية والعمالة بها أ) لا تعد شحن الآلة إلا باستخدام الشاحن المحدد من قبل الشركة الصانعة. فالشاحن الملائم لنوع ما من مجموعات البطارية قد يتسبب في نشوب حريق إذا تم استخدامه مع مجموعة بطارية أخرى.

ب) استخدم الآلات العاملة بالطاقة مع مجموعات البطاريات المخصصة لها فقط. استخدام أي مجموعات بطاريات أخرى قد ينشأ عنه خطر الإصابة أو نشوب حريق.

ت) عند عدم استخدام مجموعة البطارية، احتفظ بها بعيداً عن الأغراض المعدنية الأخرى مثل مشابك الأوراق أو المعلات المعدنية أو المفاتيح أو المسامير أو البراغي أو الأغراض المعدنية الصغيرة الأخرى التي قد تتسبب في عمل دائرة قصر (قفل للدائرة) بين أقطاب البطارية. عمل دائرة قصر (قفل الدائرة) بين أطراف البطارية قد يتسبب في حروق أو نشوب حريق.

ث) في حالات التعامل السلي، قد يحدث ارتشاح للسوائل من البطارية؛ لا تلامسه. إذا حدثت تلامسه بشكل عرضي، فاغسلها بالماء. إذا لامس السائل العينين، فاطلب المساعدة الطبية على الفور. السائل الخارج من البطارية قد يتسبب في امتحاج الجلد أو حدوث حروق به.

ج) لا تستخدم مجموعة البطارية أو الآلة إذا كانا تالفين أو تم إدخال تعديلات عليهما. لأن البطاريات التالفة أو التي تم تعديلها قد تعمل بشكل غير متوقع، وهو ما قد يؤدي لنشوب حريق أو حدوث انفجار أو خطر التعرض لإصابة.

ح) لا تقم بتعرض مجموعة البطارية أو الآلة للحرق أو درجات الحرارة الزائدة. التعرض لدرجات الحرارة الأعلى من ١٠٣ درجة مئوية قد يؤدي لحدوث انفجار.

خ) اتبع تعليمات الشحن ولا تشحن مجموعة البطارية أو الآلة في نطاق درجة حرارة خارج النطاق المحدد في التعليمات. قد يؤدي الشحن غير المضبوط أو في درجات حرارة خارج النطاق المسموح به إلى تلف البطارية وخطر نشوب حريق.

١) الصيانة أ) ينبغي إجراء الصيانة على الآلة بواسطة فني إصلاح متخصص باستخدام قطع غيار أصلية مطابقة فقط. فهذا سيضمن المحافظة على سلامة الآلة. ب) لا تقم بصيانة مجموعات البطارية التالفة بأي حال من الأحوال. بل ينبغي أن تكون صيانة مجموعات البطارية من خلال الشركة الصانعة أو مقدمي الخدمة المعتمدين فقط.

تعليمات السلامة الخاصة بفتح الربط بالصدمات اللاسلكي

• امسك بالآلة العاملة بالطاقة من أسطح الإمساك العزولة، وذلك عند القيام بأعمال قد يتعرض عنصر التثبيت من خلالها إلى التلامس مع أسلاك غير ظاهرة وقد يتلامس عنصر التثبيت مع سلك تيار "جاري"، وهو ما يجعل الأجزاء المعدنية المكشوفة بالآلة "مكهربة" ويتسبب في إصابة مشغل الآلة بصدمة كهربائية).

عام

• الغبار الناتج من المواد الكيماوية الذي يحتوي على رصاص وبعض أنواع الأخشاب والمعادن والكربونات المعدنية قد يكون ضاراً (ملاصقاً أو استنشاق الغبار قد يتسبب في إصابة المشغل أو من يجاوره بأمراض الحساسية وأو أمراض الجهاز التنفسي؛ قم بارتداء قناع للغباء مع العمل باستخدام جهاز شفط للغباء، طالما أمكن توصيله.

• ثمة أنواع معينة من الغبار تصنف على أنها مواد مسببة للسرطان (مثل غبار خشب البوط والزرا)، خاصة عند استخدامها مع مواد مضافة لعلاج الخشب؛ قم بارتداء قناع للغباء مع العمل باستخدام جهاز شفط للغباء، طالما أمكن توصيله.

• الزم بالمتطلبات الوطنية الخاصة بالغباء عند العمل باستخدام المواد الخطوبية لا تستخدم المنتج على مواد تشتمل على الأيسيتوس (يعتبر الأيسيتوس مادة مسرطنة).

• تأكد من أن محدد اتجاه الدوران A) في الوضع الأوسط (وضع القفل) قبل إجراء أي تعديلات. أو تغيير للمحركات، وكذا عند حمل الآلة أو تخزينها.

الملحقات تضمن SKIL التشغيل السلس للآلة عند استخدام الملحقات الأصلية فقط. استخدم فقط الملحقات بالسرعة المسموح بها، والتي توافقت على الأقل أعلى سرعة للآلة بدون حمل.

قبل الاستخدام

- لتجنب التلف الذي قد تتسبب فيه البراغي والمسامير والعناصر الأخرى الموجودة في القطعة التي تعمل بها، قم بتفككها قبل بدء العمل.
- ثبت قطعة العمل القطعة التي يتم تثبيتها بمدات تثبيت أو في منجلة تكون ثابتة بشكل أكثر أمناً عن إمساكها باليد.
- استخدم كاشفات ملائمة للعثور على خط المرافق الخفي أو اطلب بشركة المرافق المحلية للحصول على مساعدة (التلامس مع خطوط إمداد الكهرباء قد يؤدي إلى حدوث حروق أو صدمة كهربائية؛ وتلف خط الغاز قد يؤدي إلى حدوث انفجار؛ واختراق أنابيب المياه سيتسبب في حدوث ضرر في الممتلكات أو صدمة كهربائية).

- ### البطاريات
- البطارية المرفقة مشحونة جزئياً لضمان الحصول على كامل طاقة البطارية. قم بنسخن البطارية بالكامل من خلال الشاحن قبل استخدام الآلة للمرة الأولى.
 - استخدم البطاريات والشواحن التالية فقط مع هذه الآلة
 - بطارية SKIL: BR) ٣١٠٠٠٠٠
 - شاحن SKIL: CR) ٣١٠٠٠٠٠
 - لا تستخدم البطارية إذا تعرضت للتلف؛ ويجب استبدالها على الفور.
 - لا تقم بتفكيك البطارية بنفسك.
 - لا تعرض الآلة/البطارية للمطر.
 - درجة الحرارة المحيطة المسموح بها (الآلة/الشاحن/البطارية):
 - أثناء الشحن ٤ إلى ٤٠ درجة مئوية
 - أثناء التشغيل ٢٠٠ إلى ٥٠٠ درجة مئوية
 - أثناء التخزين ٢٠٠ إلى ٥٠٠ درجة مئوية

- ### نشر الرموز الموجودة على الآلة/البطارية
- ٢) اقرأ دليل التعليمات قبل الاستخدام
 - ٣) قد تنفجر البطاريات عندما تتعرض للثقل، لذا لا خرق البطارية لأي سبب
 - ٤) قم بتخزين الآلة/الشاحن/البطارية في أماكن لا تتجاوز درجة الحرارة فيها ٥٠ درجة مئوية
 - ١) لا تخلص من الآلات الكهربية والبطاريات مع النفايات المنزلية

الاستخدام

- شحن البطارية
 - ! اقرأ خذيريات وتعليمات السلامة المرفقة مع الشاحن
 - خلع تركيب البطارية ①
 - مؤشر شحن البطارية ②
 - اضغط على زر مؤشر شحن البطارية H لعرض مستوى شحن البطارية الحالي ③a
- عند بدء مستوى الحد الأدنى لمؤشر البطارية في الوميض بعد الضغط على الزر (V)H b، فهذا معناه أن البطارية فارغة الشحن.
- عند بدء مستويين من مؤشر البطارية في الوميض بعد الضغط على الزر (V)H c، فهذا معناه أن البطارية ليست في نطاق درجة حرارة التشغيل المسموح بها

- حماية البطارية
 - تتوقف الآلة عن العمل بشكل مفاجئ؛ أو لا يمكن تشغيلها في الحالات التالية
 - الحمل زائد للغاية <<- تخلف من الحمل وأعد التشغيل
 - درجة حرارة البطارية ليست في نطاق درجة حرارة التشغيل المقبولة وهو ٢٠٠ إلى ٥٠٠ درجة مئوية <<- ٢ تبدأ مستويات مؤشر شحن البطارية في الوميض عند الضغط على الزر (V)H d؛ انتظر حتى عودة البطارية إلى نطاق درجة حرارة التشغيل المقبولة
 - شحن البطارية بكاد يكون فارغاً (لحمائية من التفريغ العميق للشحن) <<- يتم عرض مستوى الشحن المنخفض للبطارية أو بومض مستوى شحن البطارية المنخفض ③b من خلال مؤشر شحن البطارية عند الضغط على الزر H؛ اشحن البطارية
- لا تستمر في الضغط على زر التشغيل/الإيقاف بعد توقف الآلة بشكل تلقائي؛ لأن البطارية قد تكون تالفة

- تركيب مشبك الحزام A) ①
- قم بتوصيل مشبك الحزام L في مفتاح الربط باستخدام المسامير المرفق
- تغيير اتجاه الدوران ②
- في حالة عدم الضبط كما ينبغي في الاتجاه الأيسر/الأيمن. لا يمكن تفعيل

- ### المفتاح E) ①
- ! لا تقم بتغيير اتجاه الدوران إلا بعد توقف حركة الآلة تماماً
 - مفتاح مدمج للتشغيل/الإيقاف ② والتحكم في السرعة ③

مقدم

والثلاجات. هناك خطر متزايد لحدوث صدمة كهربائية إذا كان جسمك مَوْرَّضًا.
 (ت) لا تقم بتفريغ الآلات العاملة بالطاقة للمطر أو الأجواء الرطبة. حيث سيؤدي الماء الذي يدخل إلى الآلة العاملة بالطاقة إلى زيادة خطر حدوث صدمة كهربائية.
 (ث) لا تعبت بسلك التيار. لا تقم أبدًا باستخدام سلك التيار لحمل الآلة العاملة بالطاقة أو سحبها أو فصلها عن التيار. احتفظ بالسلك بعيدًا عن مصادر الحرارة أو الزيت أو الحواف الحادة أو الأجزاء المتحركة. تؤدي أسلاك التيار التالفة أو المتشابهة إلى زيادة خطر حدوث صدمة كهربائية.
 (ج) عند تشغيل آلة عاملة بالطاقة في مكان خارجي مفتوح، استخدم سلك تمديد ملائم للاستخدام الخارجي. استخدام سلك ملائم للاستخدام الخارجي يحد من خطر حدوث صدمة كهربائية.
 (ح) إذا كان لابد من تشغيل الآلة في مكان رطب، فاستخدم مصدر تيار محمي بقاطع تيار متيقني (DCR). يؤدي استخدام قاطع التيار المتبقي إلى الحد من خطر حدوث صدمة كهربائية.

(٣) السلامة الشخصية

(أ) ابق منتهيًا، وانتهبه جيدًا لما تفعله، وكن عقلانيًا عند تشغيل آلة تعمل بالطاقة. لا تستخدم آلة تعمل بالطاقة وأنت مجهد أو تحت تأثير المخدرات أو الكحوليات أو الأدوية. قد تؤدي لحظة من عدم الانتباه أثناء تشغيل الآلات العاملة بالطاقة إلى حدوث إصابات شخصية خطيرة.

(ب) استخدم أدوات حماية شخصية. وارند دائمًا أدوات حماية للعينين سيؤدي استخدام أدوات الحماية كقفازات الغبار أو أحذية السلامة المضادة للانزلاق أو القبعة الصلبة أو أدوات حماية السمع في ظروف مناسبة إلى الحماية من الإصابات الشخصية.

(ت) امنع التشغيل غير التعمد للمنتج. احرص على أن يكون مفتاح الطاقة في وضع الإيقاف قبل توصيل الآلة بمصدر التيار أو مجموعة البطاريات، أو التقاط الآلة أو حملها. قد يتسبب حمل الآلات العاملة بالطاقة وإصبعك على مفتاح التشغيل أو شحنتها ومفتاح التشغيل على وضع التشغيل في وقوع حوادث.

(ث) أزل أي مفتاح تعديل أو مفتاح ربط قبل تشغيل الآلة العاملة بالطاقة. قد يؤدي ترك مفتاح ربط أو مفتاح عادي مركبًا على جزء دوار بالآلة العاملة بالطاقة إلى وقوع إصابات شخصية.

(ج) لا تقف في مكان تضطر لد يدك بعيدًا. قف وأنت ثابت ومتوازن في جميع الأوقات، وهو ما يسمح بتحكم أفضل في الآلة العاملة بالطاقة في الظروف غير المتوقعة.

(ح) ارتد ملابس ملائمة. لا ترتد ملابس أو مجوهرات غير ثابتة. احتفظ بشعرك وملابسك بعيدًا عن الأجزاء المتحركة. قد تعلق الملابس الفضفاضة أو المجوهرات أو الشعر الطويل في الأجزاء المتحركة.

(خ) إذا تمت إتاحة الأجهزة لتوصيل مرافق استخلاص وجمع الغبار، فتأكد من توصيلها واستخدامها على نحو ملائم. قد يؤدي استخدام جمع الغبار إلى الحد من المخاطر المرتبطة به.

(د) لا تدع الحجرة المتكسبة من الاستخدام المتكرر للآلات يجعلك تتعامل دون الانتباه اللازم وتجاهل مبادئ السلامة المتعلقة بالآلة. فقد يتسبب أي إجراء غير مدروس في إصابات خطيرة في جزء من الثانية.

(ذ) استخدم الآلة العاملة بالطاقة والعناية بها
 (أ) لا تجبر الآلة العاملة بالطاقة على أعمال تفوق قدرتها. استخدم الآلة العاملة بالطاقة للملائمة لأعمالك. ستقوم الآلة العاملة بالطاقة للملائمة بأداء أعمالك بشكل أفضل وأكثر أمانًا بالمعدل الذي أعددته له.

(ب) لا تستخدم الآلة العاملة بالطاقة إذا كان مفتاح التشغيل لا يمكن نقله إلى وضع التشغيل أو وضع الإيقاف، أي آلة عاملة بالطاقة لا يمكن التحكم فيها بمفتاح التشغيل فتعتبر خطيرة وينبغي إصلاحها.

(ت) افصل القابس من مصدر التيار، وأزل الخلع مجموعة البطاريات -إذا كانت قابلة للخلع- من الآلة العاملة بالطاقة قبل إجراء أي تعديلات أو تغيير ملحقات أو تخزين الآلات العاملة بالطاقة. إجراءات السلامة الوقائية هذه قد من خطر تشغيل الآلة العاملة بالطاقة بشكل خاطئ.

(ث) خزن الآلة العاملة بالطاقة الضبوتة على وضع الاستعداد بعيدًا عن متناول أيدي الأطفال. ولا تسمح للأشخاص غير العتادين على الآلة العاملة بالطاقة أو على هذه التعليمات بتشغيل الآلة العاملة بالطاقة. الآلات العاملة بالطاقة تكون خطيرة في أيدي الأشخاص غير المدربين.

(ج) حافظ على الآلات العاملة بالطاقة والملحقات. خفِّق ما إذا كان هناك عدم متحاذة أو ربط للأجزاء المتحركة، وعدم وجود أجزاء مكسورة وأي حالة أخرى قد تؤثر على تشغيل الآلة العاملة بالطاقة. إذا كان هناك تلف، فقم بإصلاح الآلة العاملة بالطاقة قبل استخدامها. فالعديد من الحوادث يكون سببها الآلات التي لم تتم صيانتها.

(ح) احتفظ بالأدوات القاطعة حادة ونظيفة. الأدوات القاطعة التي تتم صيانتها كما

- هذه الآلة معدة لربط المسامير والبراغي، وفكهم.
- هذه الآلة غير معدة للاستخدام المهني
- إذا كانت هناك أجزاء مفقودة أو تالفة، تُرجى الاتصال بالوكيل
- اقرأ دليل التعليمات بعناية قبل بدء الاستخدام، واحتفظ به للرجوع إليه في المستقبل (٢)
- انتبه بشكل خاص إلى تعليمات وتحذيرات السلامة: فقد يؤدي الإخفاق في الالتزام بهذه التعليمات إلى التعرض لإصابة خطيرة

البيانات الفنية ①

أقصى عزم مستخدم لفك البراغي وفقًا لمعايير ISO ٥٢٩٣ : ٢٥٠ نيوتن متر

مكونات الآلة ②

- A محدد اتجاه الدوران (للأمام/القفيل المركزي/للخلف)
 B فتحات التهوية
 C مصباح DEL
 D رأس ربط مبرحة
 E مفتاح للتشغيل/الإيقاف والتحكم في السرعة
 F زر مصباح DEL
 G زر الوضع
 H زر مؤشر شحن البطارية
 J منطقة تخزين للثلمة
 K منطقة تثبيت الخزام
 L مشبك حزام
 M تبديل مهابتي *
 * ليست مرفقة بشكل افتراضي

السلامة

تحذيرات السلامة العامة المتعلقة بالآلة العاملة بالطاقة

✚ خذ برًا جميع تحذيرات السلامة والتعليمات والرسم التوضيحية والمواصفات المرفقة مع هذه الآلة. عدم اتباع جميع التعليمات الواردة أدناه قد يؤدي إلى حدوث صدمة كهربائية أو نشوب حريق أو التعرض للإصابة، أحدها أو جميعها.

احتفظ بجميع التحذيرات والتعليمات للرجوع إليها في المستقبل.

يشير مصطلح "آلة عاملة بالطاقة" في قسم التحذيرات إلى الآلة العاملة بالطاقة (الموصولة بسلك تيار) أو الآلة العاملة بالبطارية (غير الموصولة بسلك تيار).

١) سلامة منطقة العمل

(ص) حافظ على منطقة العمل نظيفة ومضاءة جيدًا. حيث عادة ما تتسبب المناطق المظلمة أو التي بها ركاب إلى وقوع حوادث.

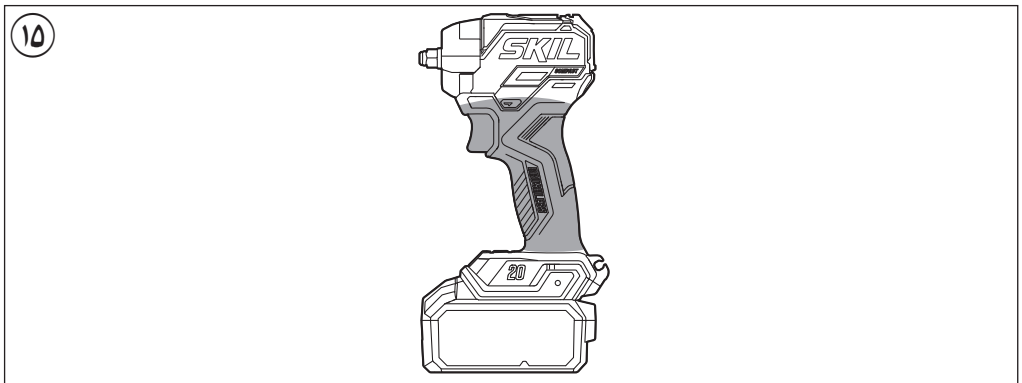
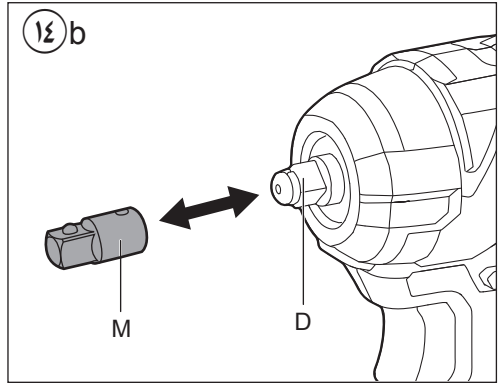
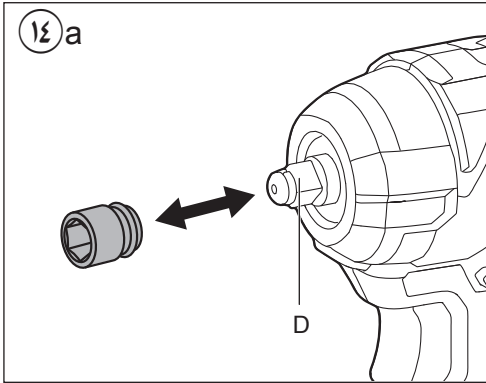
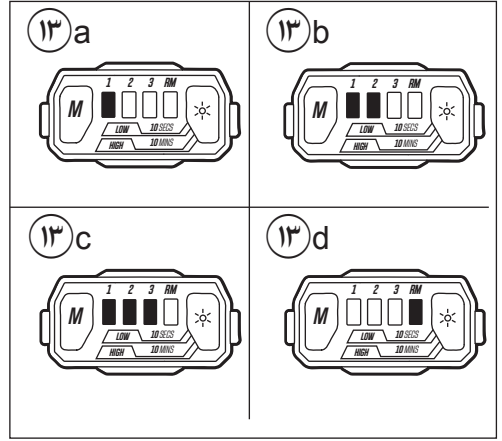
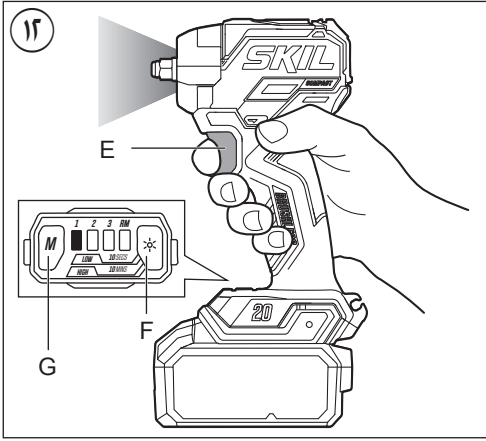
(ض) لا تقم بتشغيل الآلات العاملة بالطاقة في أجواء قابلة للانفجار. على سبيل المثال في وجود سوائل أو غازات أو غبار قابلة للاشتعال. فقد تتسبب الآلات العاملة بالطاقة في صدور شرارة، والتي قد تتسبب في اشتعال الغبار أو الأبخرة القابلة للاشتعال.

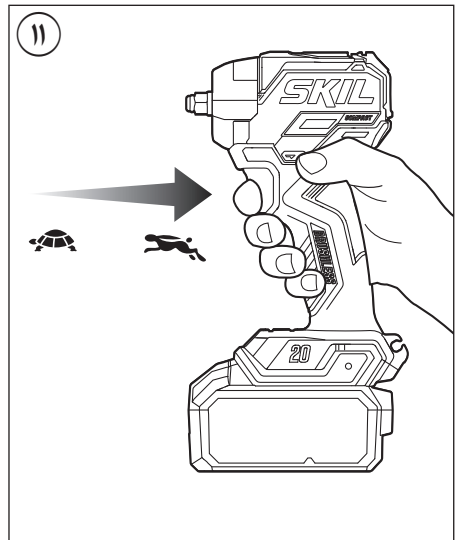
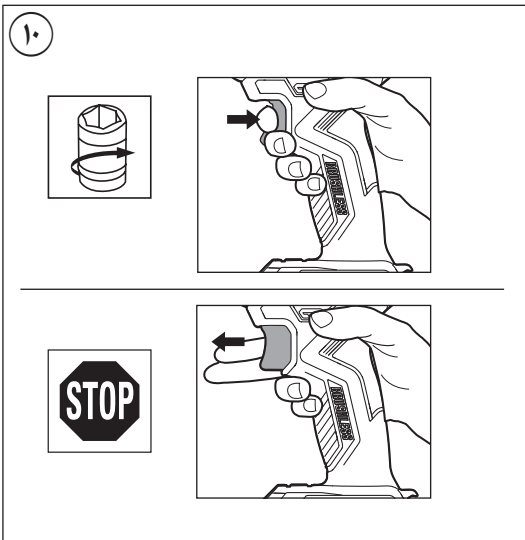
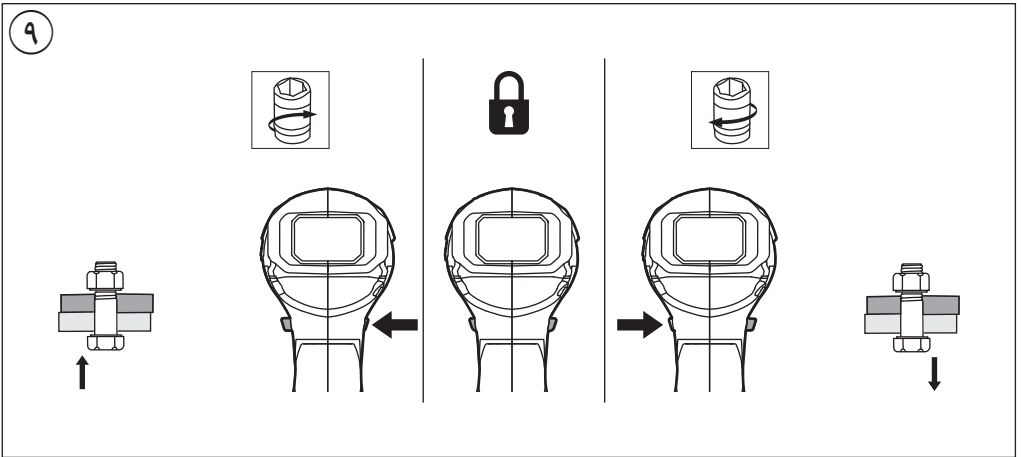
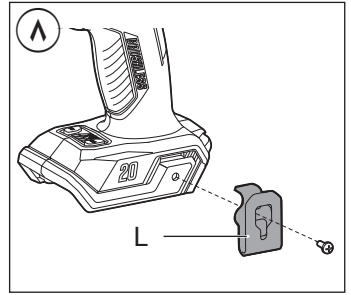
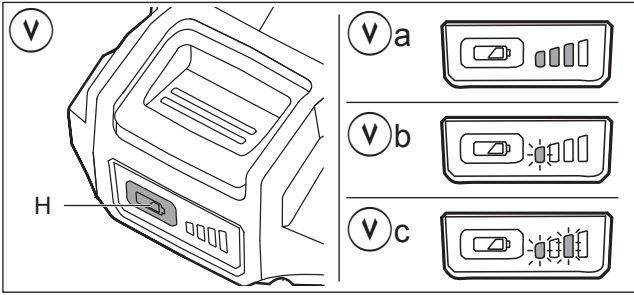
(ط) احتفظ بالأطفال والمشاهدين بعيدًا عن موقع استعمال الآلة العاملة بالطاقة، حيث أن الإلهاء قد يجعلك تفقد السيطرة على الآلة.

٢) السلامة الكهربائية

(أ) ينبغي أن يتوافق قابس الآلة العاملة بالطاقة مع مقبس التيار. لا يجب إدخال تعديلات على القابس بأي حال من الأحوال. لا تستخدم أي قوايس مهايئة مع الآلات العاملة بالطاقة المَوْرَّضَة. سيؤدي القوايس غير المتعددة والمقابس المتوافقة إلى الحد من خطر حدوث صدمة كهربائية.

(ب) تجنّب ملامسة الجسم لأسطح مَوْرَّضَة مثل الأنابيب والمشعاع والمواد





1

3265


20V Max
18
Volt

2,0 Ah
2,5 Ah

1,3 kg

4,0 Ah
5,0 Ah

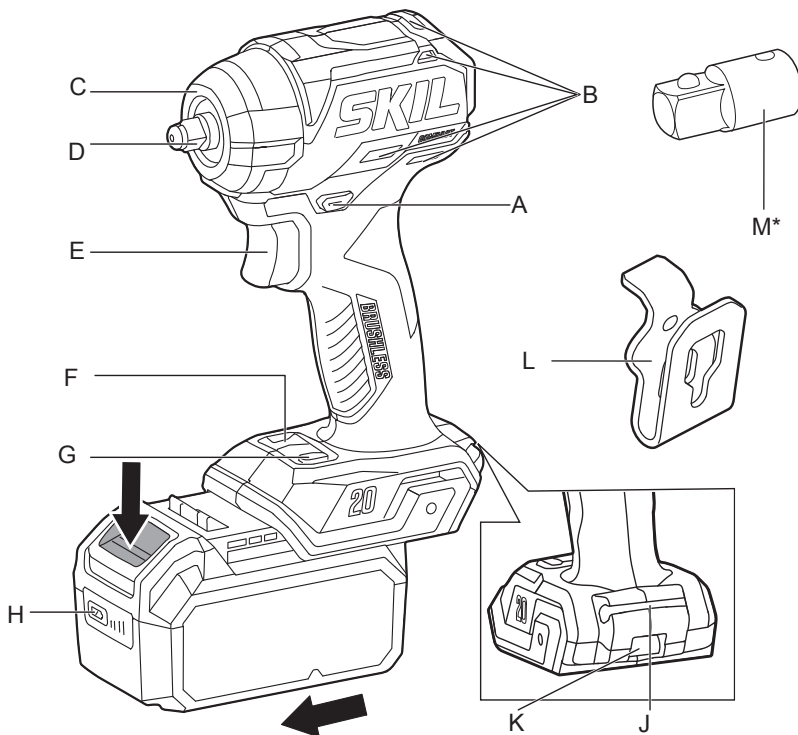
1,6 kg


n₀
0-1500/2250/
2850 /min


0-2100/3400/
3950 p/min


3/8" square
drive

2



* قاتالدا عم ايسايق رفوتوي ال

3



4



5

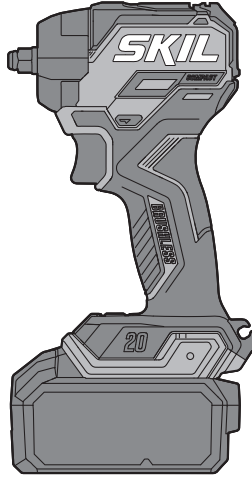


6



مفتاح ربط بالصدّمت لاسلكي بدون فرش
3265

SKIL®



دليل الاستعمال
راهنماي اصلي

AR

FA

