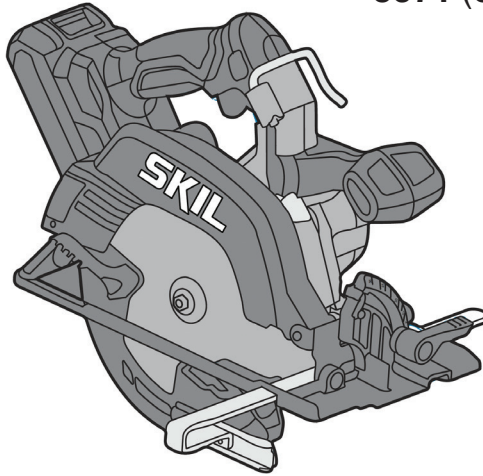


# SKIL®

## BRUSHLESS CORDLESS CIRCULAR SAW 3571 (SW1\*3571\*\*)



<b>GB</b>	ORIGINAL INSTRUCTIONS	10	<b>UA</b>	ОРИГІНАЛЬНА ІНСТРУКЦІЯ З ЕКСПЛУАТАЦІЇ	103
<b>F</b>	NOTICE ORIGINALE	15	<b>GR</b>	ΠΡΟΤΟΤΥΠΟ ΟΔΗΓΙΩΝ ΧΡΗΣΗΣ	110
<b>D</b>	ORIGINALBETRIEBSANLEITUNG	21	<b>RO</b>	INSTRUCȚIUNI DE FOLOSIRE ORIGINALE	116
<b>NL</b>	ORIGINELE GEBRUIKSAANWIJZING	27	<b>BG</b>	ОРИГИНАЛНО РЪКОВОДСТВО ЗА ЕКСПЛОАТАЦИЯ	122
<b>S</b>	BRUKSANVISNING I ORIGINAL	34	<b>SK</b>	PŔVODNÝ NÁVOD NA POUŽITIE	129
<b>DK</b>	ORIGINAL BRUGSANVISNING	39	<b>HR</b>	ORIGINALNE UPUTE ZA RAD	134
<b>N</b>	ORIGINAL BRUKSANVISNING	44	<b>SRB</b>	ORIGINALNO UPUTSTVO ZA RAD	140
<b>FIN</b>	ALKUPERÄISET OHJEET	49	<b>SLO</b>	IZVIRNA NAVODILA	145
<b>E</b>	MANUAL ORIGINAL	55	<b>EST</b>	ALGUPÄRANE KASUTUSJUHEND	151
<b>P</b>	MANUAL ORIGINAL	61	<b>LV</b>	ORIĢINĀLĀ LIETOŠANAS PAMĀCIBA	156
<b>I</b>	ISTRUZIONI ORIGINALI	67	<b>LT</b>	ORIGINALI INSTRUKCIJA	162
<b>H</b>	EREDETI HASZNÁLATI UTASÍTÁS	73	<b>MK</b>	ИЗБОРНО УПАТСТВО ЗА РАБОТА	167
<b>CZ</b>	PŔVODNÍM NÁVODEM K POUŽÍVÁNÍ	79	<b>AL</b>	UDHËZIMET ORIGINALE	174
<b>TR</b>	ORİJİNAL İŞLETME TALİMATI	84	<b>AR</b>	دليل الاستعمال	190
<b>PL</b>	INSTRUKCJA ORYGINALNA	90	<b>FA</b>	راهنمای اصلی	186
<b>RU</b>	ПОДЛИННИК РУКОВОДСТВА ПО ЭКСПЛУАТАЦИИ	96			









**EAC**




[www.skil.com](http://www.skil.com)



<b>GB</b>	EU Declaration of conformity Cordless circular saw	Article number	We declare under our sole responsibility that the stated products comply with all applicable provisions of the directives and regulations listed below and are in conformity with the following standards. Technical file at:*
<b>F</b>	Déclaration de conformité UE Scie circulaire sans fil	Numéro d'article	Nous déclarons sous notre propre responsabilité que les produits décrits sont en conformité avec les directives, règlements normatifs et normes énumérés ci-dessous. Dossier technique auprès de:*
<b>D</b>	EU-Konformitätserklärung Kabellose Kreissäge	Sachnummer	Wir erklären in alleiniger Verantwortung, dass die genannten Produkte allen einschlägigen Bestimmungen der nachfolgend aufgeführten Richtlinien und Verordnungen entsprechen und mit folgenden Normen übereinstimmen. Technische Unterlagen bei:*
<b>NL</b>	EU-conformiteitsverklaring Oplaaadbare cirkelzaag	Productnummer	Wij verklaren op eigen verantwoordelijkheid dat de genoemde producten voldoen aan alle desbetreffende bepalingen van de hierna genoemde richtlijnen en verordeningen en overeenstemmen met de volgende normen. Technisch dossier bij:*
<b>S</b>	EU-konformitetsförklaring Sladdlös cirkelsåg	Produktnummer	Vi förklarar under eget ansvar att de nämnda produkterna uppfyller kraven i alla gällande bestämmelser i de nedan angivna direktiven och förordningarnas och att de stämmer överens med följande normer. Teknisk dokumentation:*
<b>DK</b>	EU-overensstemmelseserklæring Batteridrevet rundsav	Typenummer	Vi erklærer som eneansvarlige, at det beskrevne produkt er i overensstemmelse med alle gældende bestemmelser i følgende direktiver og forordninger og opfylder følgende standarder. Tekniske bilag ved:*
<b>N</b>	EU-samsvarserklæring Oppladbar sirkelsag	Produktnummer	Vi erklærer under eneansvar at de nevnte produktene er i overensstemmelse med alle relevante bestemmelser i direktivene og forordningene nedenfor og med følgende standarder. Teknisk dokumentasjon hos:*
<b>FIN</b>	EU-vaatimustenmukaisuusvakuutus Akkupyörösaha	Tuotenumero	Vakuutamme täten, että mainitut tuotteet vastaavat kaikkia seuraavien direktiivien ja asetusten asiaankuuluvia vaatimuksia ja ovat seuraavien standardien vaatimusten mukaisia. Tekniset asiakirjat saatavana:*
<b>E</b>	Declaración de conformidad UE Sierra circular sin cable	Número de artículo	Declaramos bajo nuestra exclusiva responsabilidad, que los productos nombrados cumplen con todas las disposiciones correspondientes de las directivas y los reglamentos mencionados a continuación y están en conformidad con las siguientes normas. Documentos técnicos de:*
<b>P</b>	Declaração de conformidade CE Serra circular sem fios	Número do produto	Declaramos sob nossa exclusiva responsabilidade que os produtos mencionados cumprem todas as disposições e os regulamentos indicados e estão em conformidade com as seguintes normas. Documentação técnica pertencente à:*
<b>I</b>	Dichiarazione di conformità UE Sega circolare senza filo	Codice prodotto	Dichiariamo sotto la nostra piena responsabilità che i prodotti indicati sono conformi a tutte le disposizioni pertinenti delle direttive e dei regolamenti elencati di seguito, nonché alle seguenti normative. Documentazione tecnica presso:*
<b>H</b>	EU konformitási nyilatkozat Akkus körfűrész	Cikkszám	Egyedüli felelőséggel kijelentjük, hogy a megnevezett termékek megfelelnek az alábbiakban felsorolásra kerülő irányelvek és rendeletek valamennyi idevágó előírásainak és megfelelnek a következő szabványoknak. Műszaki dokumentumok megőrzési pontja:*
<b>CZ</b>	EU prohlášení o shodě Bezdrátová kotoučová pila	Objednací číslo	Prohlašujeme na výhradní zodpovědnost, že uvedený výrobek splňuje všechna příslušná ustanovení níže uvedených směrnic a nařízení a je v souladu s následujícími normami. Technické podklady u:*
<b>TR</b>	AB Uygunluk beyanı Kablosuz daire testere	Ürün kodu	Tek sorumlu olarak, tanımlanan ürünün aşağıdaki yönetmelik ve direktiflerin geçerli bütün hükümlerine ve aşağıdaki standartlara uygun olduğunu beyan ederiz. Teknik belgelerin bulunduğu yer:*
<b>PL</b>	Deklaracja zgodności UE Bezprzewodowa pilarka tarczowa	Numer katalogowy	Oświadczamy z pełną odpowiedzialnością, że niniejsze produkty odpowiadają wszystkim wymaganiom poniżej wyszczególnionych dyrektyw i rozporządzeń, oraz że są zgodne z następującymi normami. Dokumentacja techniczna:*
<b>RU</b>	Заявление о соответствии ЕС Акумуляторная циркулярная пила	Товарный номер	Мы заявляем под нашу единоличную ответственность, что названные продукты соответствуют всем действующим предписаниям нижеуказанных директив и распоряжений, а также нижеуказанных норм. Техническая документация хранится у:*
<b>UA</b>	Заява про відповідність ЄС Бездротова дискова пила	Товарний номер	Ми заявляємо під нашу одноособову відповідальність, що названі вироби відповідають усім чинним положенням нижчеозначених директив і розпоряджень, а також нижчеозначеним нормам. Технічна документація зберігається у:*

<b>GR</b>	Δήλωση πιστότητας ΕΕ Επαναφορτιζόμενο δισκοπρίονο Αριθμός ευρετηρίου	Δηλώνουμε με αποκλειστική μας ευθύνη, ότι τα αναφερόμενα προϊόντα αντιστοιχούν σε όλες τις σχετικές διατάξεις των πιο κάτω αναφερόμενων οδηγιών και κανονισμών και ταυτίζονται με τα ακόλουθα πρότυπα. Τεχνικά έγγραφα στη:*															
<b>RO</b>	Declarație de conformitate UE Ferăstrău circular cu acumulator Număr de identificare	Declaram pe proprie răspundere că produsele menționate corespund tuturor dispozițiilor relevante ale directivei și reglementărilor enumerate în cele ce urmează și sunt în conformitate cu următoarele standarde. Documentație tehnică la:*															
<b>BG</b>	ЕС декларация за съответствие Безкабелен циркуляр Каталожен номер	С пълна отговорност ние декларираме, че посочените продукти отговарят на всички валидни изисквания на директивите и разпоредбите по-долу и съответства на следните стандарти. Техническа документация при:*															
<b>SK</b>	Pôvodnej EU vyhlásenie o zhode Akumulátorová okružná píla Vecné číslo	Vyhlasujeme na výhradnú zodpovednosť, že uvedený výrobok spĺňa všetky príslušné ustanovenia nižšie uvedených smerníc a nariadení a je v súlade s nasledujúcimi normami. Technické podklady má spoločnosť:*															
<b>HR</b>	EU izjava o skladnosti Bežična kružna pila Kataloški broj	Pod punom odgovornošću izjavljujemo da navedeni proizvodi odgovaraju svim relevantnim odredbama direktiva i propisima navedenima u nastavku i da su skladni sa sljedećim normama. Tehnička dokumentacija se može dobiti kod:*															
<b>SRB</b>	EU-izjava o usaglašenosti Bežična kružna testera Broj predmeta	Na sopstvenu odgovornost izjavljujemo, da navedeni proizvodi odgovaraju svim dotičnim odredbama naknadno navedenih smernica u uredaba i da su u skladu sa sledećim standardima. Tehnička dokumentacija kod:*															
<b>SLO</b>	Izjava o skladnosti ES Brezžična krožna žaga Številka artikla	Izjavljam pod izključno odgovornostjo, da je omenjen izdelek v skladu z vsemi relevantnimi določili direktiv in uredb ter ustreza naslednjim standardom. Tehnična dokumentacija pri:*															
<b>EST</b>	EL-vastavusdeklaratsioon Juhtmata ketassaag Tootenumber	Kinnitame ainuvastutajatena, et nimetatud tooted vastavad järgnevalt loetletud direktiivide ja määruste kõiki dele asjaomastele nõuetele ja on kooskõlas järgmistega normidega. Tehnilised dokumendid saadaval:*															
<b>LV</b>	Deklarācija par atbilstību EK standartiem Bezvadu ripzāģis Izstrādājuma numurs	Mēs ar pilnu atbildību paziņojam, ka šeit aplūkoti izstrādājumi atbilst visiem tālāk minētajās direktīvās un rīkojumos ietvertajām saistošajām nostādņēm, kā arī sekojošiem standartiem. Tehniskā dokumentācija no:*															
<b>LT</b>	ES atitikties deklaracija Belaidis diskinis pjūklas Gaminio numeris	Atsakingai pareiškiame, kad išvardyti gaminiai atitinka visus privalomus žemiau nurodytų direktyvų ir reglamentų reikalavimus ir šiuos standartus. Techninė dokumentacija saugoma:*															
<b>MK</b>	EU-Изјава за сообразност Безжична кружна пила Број на артикл	Со целосна одговорност изјавуваме, дека опишаните производи се во согласност со сите релевантни одредби на следните регулативи и прописи и се во согласност со следните норми. Техничка документација нај:*															
<b>AL</b>	EU Deklarata e konformitetit Sharrë rrethore pa kabëll Numri i nenit	Ne deklarojmë me përgjegjësinë tonë të vetme se produktet e paraqitura janë në përputhje me të gjitha dispozitat e zbatueshme të direktivave dhe rregulloreve të listuara më poshtë dhe janë në përputhje me standardet si më poshtë. Dosja teknike në:*															
<b>3571</b> SW1*3571**	<table border="0"> <tr> <td>2006/42/EC</td> <td>EN 62841-1:2015</td> </tr> <tr> <td>2014/30/EU</td> <td>EN 62841-2-5:2014</td> </tr> <tr> <td>2011/65/EU</td> <td>EN 55014-1: 2021</td> </tr> <tr> <td></td> <td>EN 55014-2: 2021</td> </tr> <tr> <td></td> <td>EN 63000:2018</td> </tr> <tr> <td colspan="2">            *Skil BV            Rithmeesterpark 22 A1            4838 GZ Breda            The Netherlands         </td> </tr> <tr> <td colspan="2">           Olaf Dijkgraaf            Approval Manager   </td> </tr> <tr> <td colspan="2">           Skil BV, Rithmeesterpark 22 A1, 4838 GZ Breda, NL            03.11.2022         </td> </tr> </table>	2006/42/EC	EN 62841-1:2015	2014/30/EU	EN 62841-2-5:2014	2011/65/EU	EN 55014-1: 2021		EN 55014-2: 2021		EN 63000:2018	 *Skil BV Rithmeesterpark 22 A1 4838 GZ Breda The Netherlands		Olaf Dijkgraaf Approval Manager 		Skil BV, Rithmeesterpark 22 A1, 4838 GZ Breda, NL 03.11.2022	
2006/42/EC	EN 62841-1:2015																
2014/30/EU	EN 62841-2-5:2014																
2011/65/EU	EN 55014-1: 2021																
	EN 55014-2: 2021																
	EN 63000:2018																
 *Skil BV Rithmeesterpark 22 A1 4838 GZ Breda The Netherlands																	
Olaf Dijkgraaf Approval Manager 																	
Skil BV, Rithmeesterpark 22 A1, 4838 GZ Breda, NL 03.11.2022																	

<b>Declaration of Conformity</b>		We declare under our sole responsibility that the stated products comply with all applicable provisions of the directives and regulations listed below and are in conformity with the following standards
<b>Cordless circular saw</b>	Article number	Technical file at: Chervon Europe Ltd., 34 Bridge Street, Reading, RG1 2LU, United Kingdom
<b>3571</b>	<b>SW1*3571**</b>	Supply of Machinery (Safety) Regulations 2008 (SI 2008/1597) Electromagnetic Compatibility Regulations 2016 (SI 2016/1091) The Restriction of the Use of Certain Hazardous Substances in Electrical and Electronic Equipment Regulations 2012 (SI 2012/3032)  EN 62841-1:2015 EN 62841-2-5:2014  EN 55014-1:2021 EN 55014-2:2021  EN IEC 63000:2018
		<b>SKIL</b> <sup>®</sup> Chervon Europe Ltd., 34 Bridge Street, Reading, RG1 2LU, United Kingdom, as authorized representative (in terms of above regulations) acting on behalf of Skil BV, Rithmeesterpark 22 A1, 4838GZ Breda, The Netherlands
		James McCrory Technical Service Manager    Place of issue: Reading Date of issue: 03/11/2022

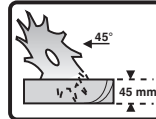
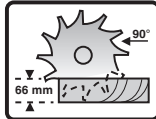
1

3571

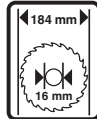
20V Max  
18  
Volt

2,0 Ah  
2,5 Ah  
  
3,4 kg

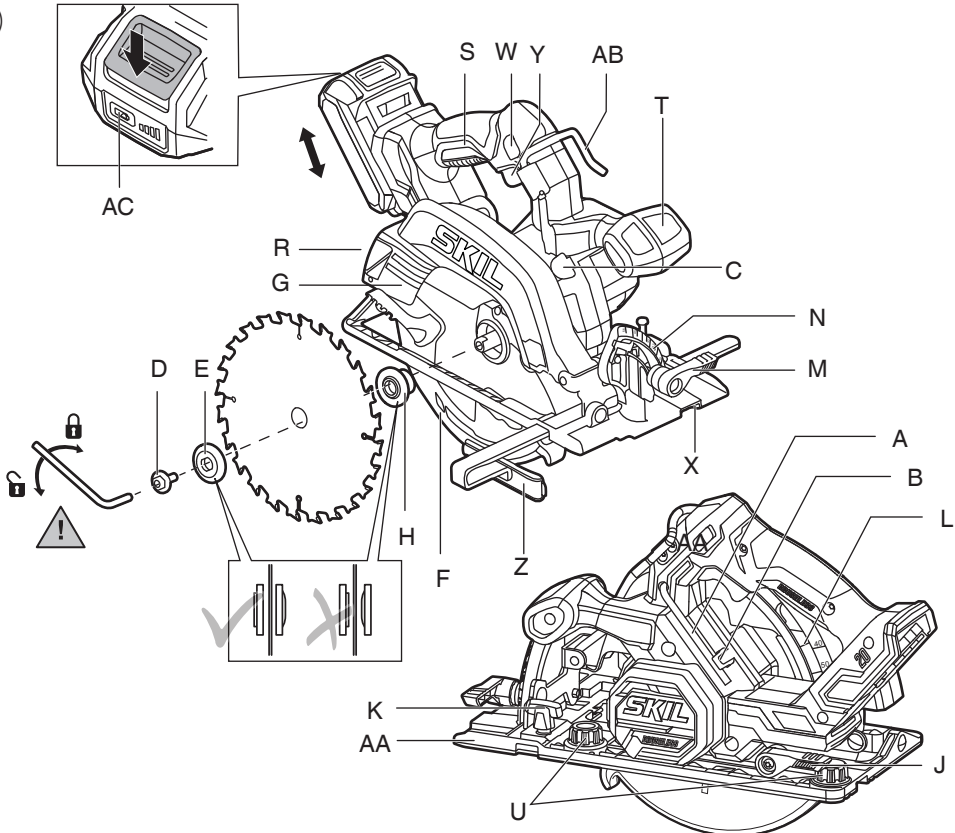
4,0 Ah  
5,0 Ah  
  
3,7 kg



  
n<sub>0</sub>  
5300  
/min



2



3



4

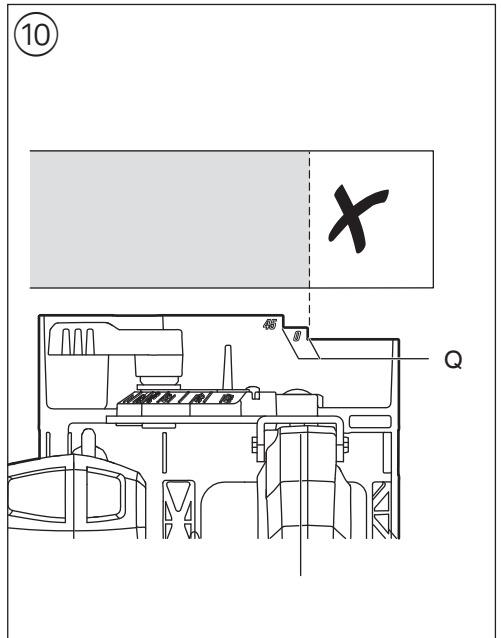
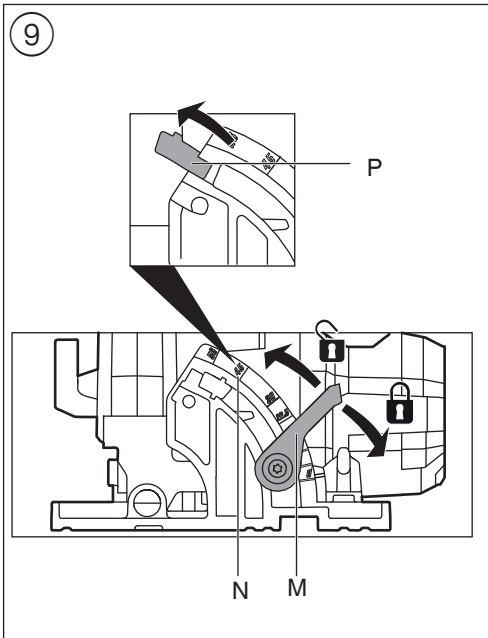
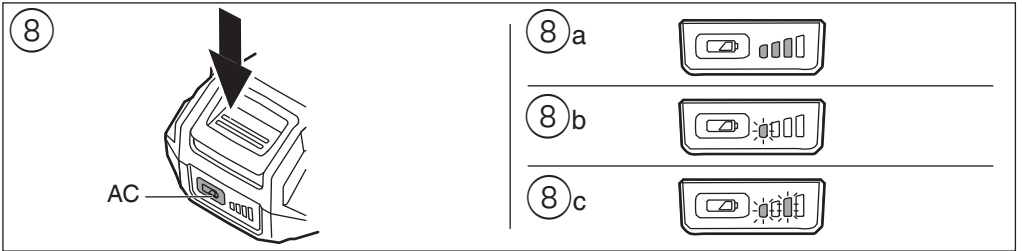
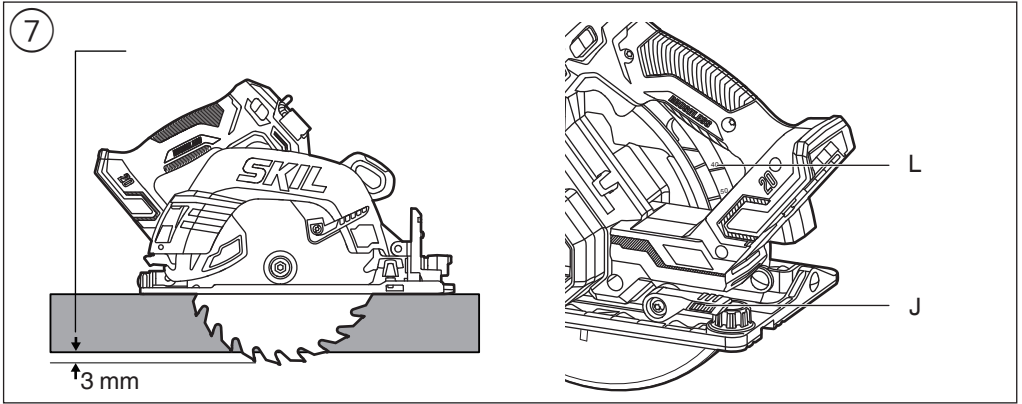


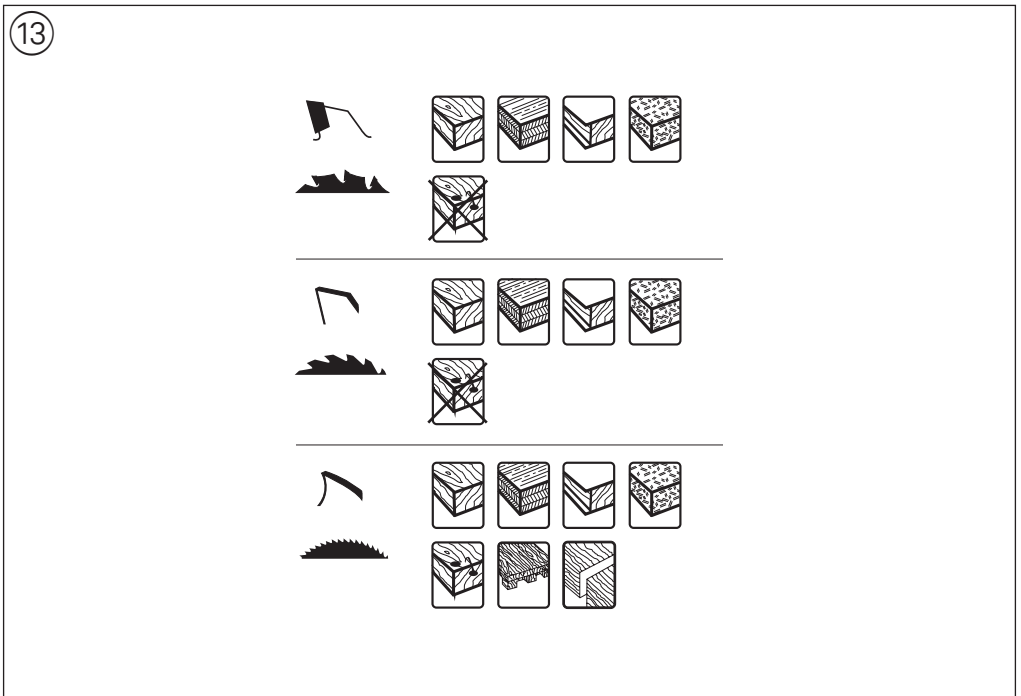
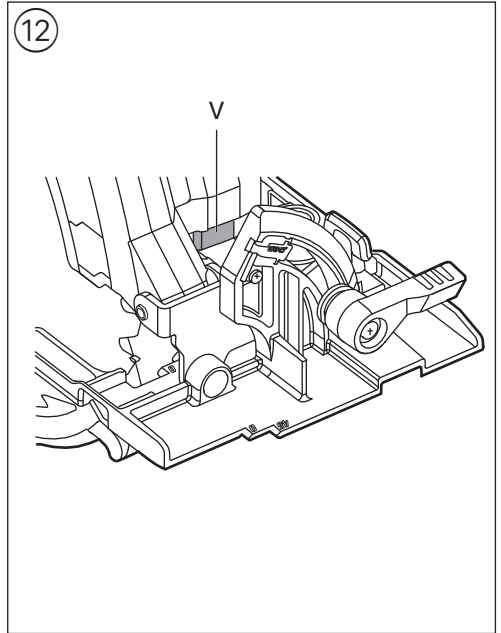
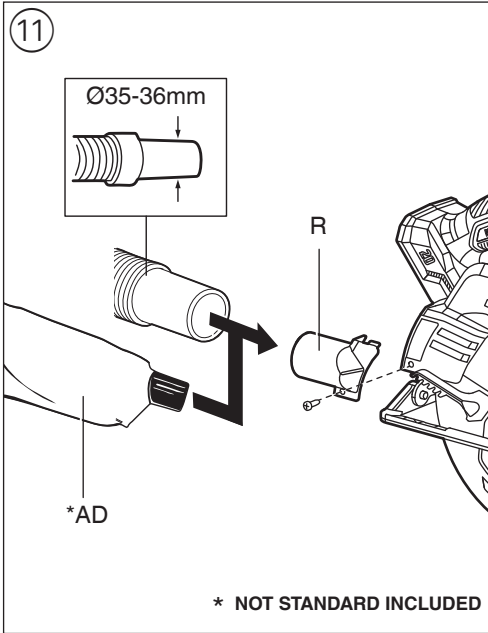
5

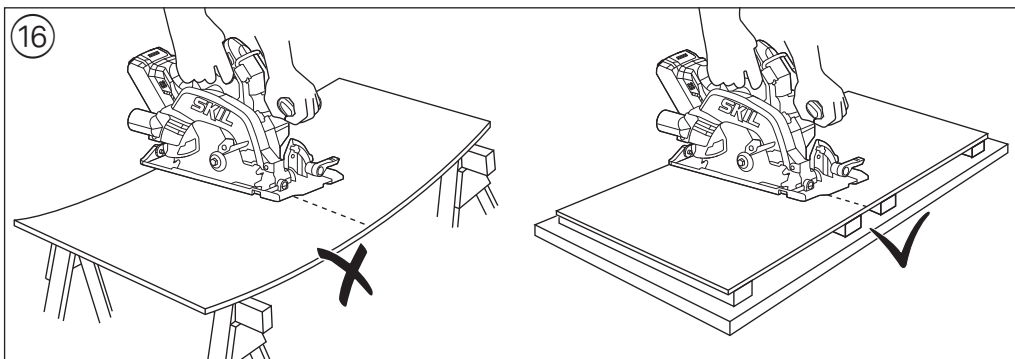
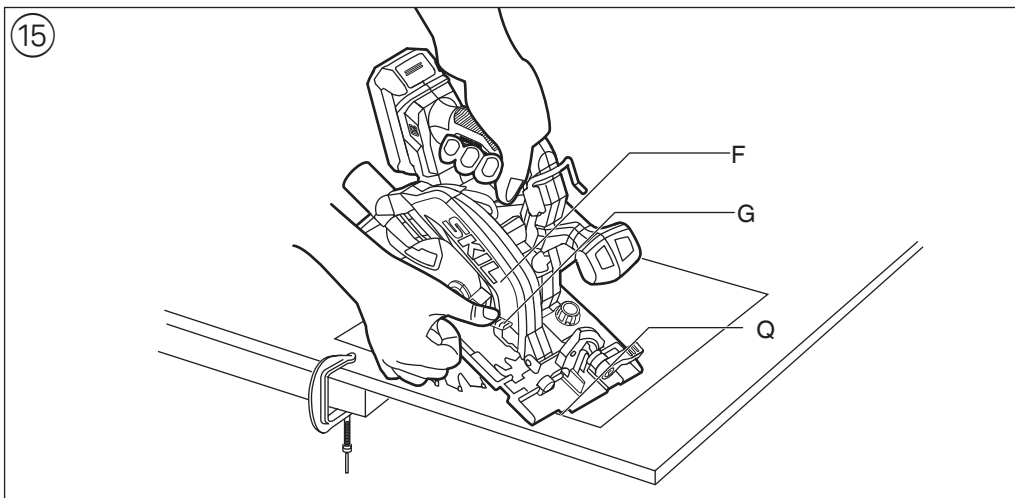
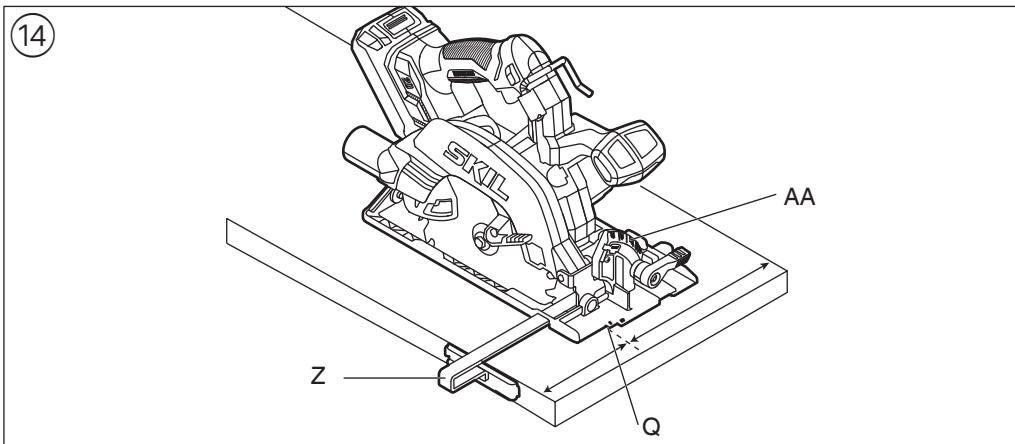


6

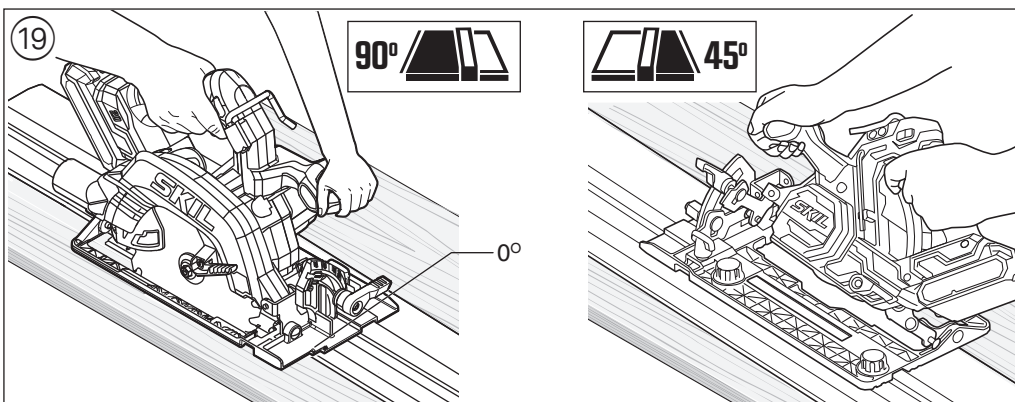
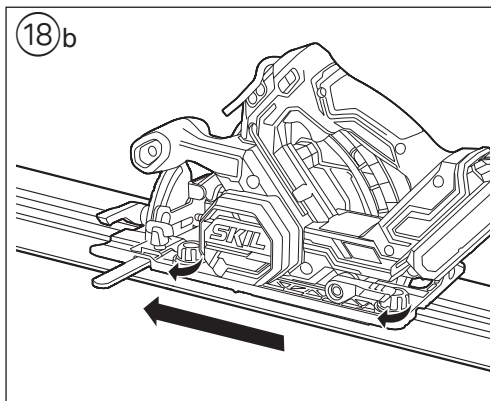
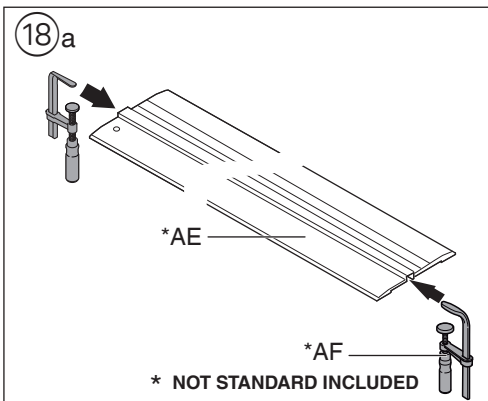
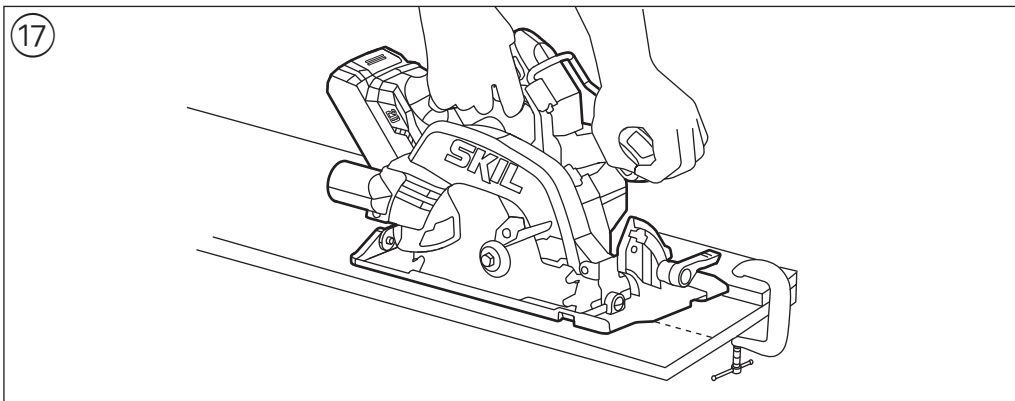












ACCESSORIES



WWW.SKIL.COM

## Brushless cordless circular saw

3571

### INTRODUCTION

- This tool is intended for lengthways and crossways cutting of wood with straight cuts as well as angle cuts up to 56°
- This tool is not intended for professional use
- Read and save this instruction manual ③

### TECHNICAL DATA ①

### TOOL ELEMENTS ②

<b>A</b>	Hex key
<b>B</b>	Storage for hex key
<b>C</b>	Spindle-lock button
<b>D</b>	Blade bolt
<b>E</b>	Flange
<b>F</b>	Lower guard
<b>G</b>	Lever for opening lower guard
<b>H</b>	Clamping surface
<b>J</b>	Knob for setting sawing depth
<b>K</b>	Foot plate
<b>L</b>	Cutting depth indicator
<b>M</b>	Lever for adjusting cutting angle
<b>N</b>	Cutting angle indicator
<b>P</b>	45° bevel stop
<b>Q</b>	Line-of-cut indicator
<b>R</b>	Vacuum cleaner adapter
<b>S</b>	Rear handle
<b>T</b>	Front handle
<b>U</b>	Knobs for adjusting guide slot
<b>V</b>	LED light
<b>W</b>	Safety switch
<b>X</b>	Guide slot
<b>Y</b>	Trigger switch
<b>Z</b>	Parallel guide
<b>AA</b>	Knob for adjusting parallel guide
<b>AB</b>	Hook
<b>AC</b>	Battery level indicator
<b>AD</b>	Dust bag*
<b>AE</b>	Guide rail*
<b>AF</b>	Guide rail clamp*

\* NOT STANDARD INCLUDED

### SAFETY

#### GENERAL POWER TOOL SAFETY WARNINGS

**⚠ WARNING** Read all safety warnings, instructions, illustrations and specifications provided with this power tool. Failure to follow all instructions listed below may result in electric shock, fire and/or serious injury.

**Save all warnings and instructions for future reference.**

The term "power tool" in the warnings refers to your mains-operated (corded) power tool or battery-operated (cordless) power tool.

#### 1) WORK AREA SAFETY

- Keep work area clean and well lit.** Cluttered or dark areas invite accidents.
- Do not operate power tools in explosive atmospheres, such as in the presence of flammable liquids, gases or dust.** Power tools create sparks which may ignite the dust or fumes.
- Keep children and bystanders away while operating a power tool.** Distractions can cause you to lose control.

#### 2) ELECTRICAL SAFETY

- Power tool plugs must match the outlet. Never modify the plug in any way. Do not use any adapter plugs with earthed (grounded) power tools.** Unmodified plugs and matching outlets will reduce risk of electric shock.
- Avoid body contact with earthed or grounded surfaces such as pipes, radiators, ranges and refrigerators.** There is an increased risk of electric shock if your body is earthed or grounded.
- Do not expose power tools to rain or wet conditions.** Water entering a power tool will increase the risk of electric shock.
- Do not abuse the cord. Never use the cord for carrying, pulling or unplugging the power tool. Keep cord away from heat, oil, sharp edges or moving parts.** Damaged or entangled cords increase the risk of electric shock.
- When operating a power tool outdoors, use an extension cord suitable for outdoor use.** Use of a cord suitable for outdoor use reduces the risk of electric shock.
- If operating a power tool in a damp location is unavoidable, use a residual current device (RCD) protected supply.** Use of an RCD reduces the risk of electric shock.

#### 3) PERSONAL SAFETY

- Stay alert, watch what you are doing and use common sense when operating a power tool. Do not use a power tool while you are tired or under the influence of drugs, alcohol or medication.** A moment of inattention while operating power tools may result in serious personal injury.
- Use personal protective equipment. Always wear eye protection.** Protective equipment such as a dust mask, non-skid safety shoes, hard hat, or hearing protection used for appropriate conditions will reduce personal injuries.
- Prevent unintentional starting. Ensure the switch is in the off-position before connecting to power source and/or battery pack, picking up or carrying the tool.** Carrying power tools with your finger on the switch or energising power tools that have the switch on invites accidents.
- Remove any adjusting key or wrench before turning the power tool on.** A wrench or a key left attached to a rotating part of the power tool may result in personal injury.
- Do not overreach. Keep proper footing and balance at all times.** This enables better control of the power tool in unexpected situations.
- Dress properly. Do not wear loose clothing or jewellery. Keep your hair and clothing away from moving parts.** Loose clothes, jewellery or long hair can

- be caught in moving parts.
- g) **If devices are provided for the connection of dust extraction and collection facilities, ensure these are connected and properly used.** Use of dust collection can reduce dust-related hazards.
- h) **Do not let familiarity gained from frequent use of tools allow you to become complacent and ignore tool safety principles.** A careless action can cause severe injury within a fraction of a second.
- 4) POWER TOOL USE AND CARE**
- a) **Do not force the power tool. Use the correct power tool for your application.** The correct power tool will do the job better and safer at the rate for which it was designed.
- b) **Do not use the power tool if the switch does not turn it on and off.** Any power tool that cannot be controlled with the switch is dangerous and must be repaired.
- c) **Disconnect the plug from the power source and/ or remove the battery pack, if detachable, from the power tool before making any adjustments, changing accessories, or storing power tools.** Such preventive safety measures reduce the risk of starting the power tool accidentally.
- d) **Store idle power tools out of the reach of children and do not allow persons unfamiliar with the power tool or these instructions to operate the power tool.** Power tools are dangerous in the hands of untrained users.
- e) **Maintain power tools and accessories. Check for misalignment or binding of moving parts, breakage of parts and any other condition that may affect the power tool's operation. If damaged, have the power tool repaired before use.** Many accidents are caused by poorly maintained power tools.
- f) **Keep cutting tools sharp and clean.** Properly maintained cutting tools with sharp cutting edges are less likely to bind and are easier to control.
- g) **Use the power tool, accessories and tool bits etc., in accordance with these instructions, taking into account the working conditions and the work to be performed.** Use of the power tool for operations different from those intended could result in a hazardous situation.
- h) **Keep handles and grasping surfaces dry, clean and free from oil and grease.** Slippery handles and grasping surfaces do not allow for safe handling and control of the tool in unexpected situations.
- 5) BATTERY TOOL USE AND CARE**
- a) **Recharge only with the charger specified by the manufacturer.** A charger that is suitable for one type of battery pack may create a risk of fire when used with another battery pack.
- b) **Use power tools only with specifically designated battery packs.** Use of any other battery packs may create a risk of injury and fire.
- c) **When battery pack is not in use, keep it away from other metal objects like paper clips, coins, keys, nails, screws, or other small metal objects that can make a connection from one terminal to another.** Shorting the battery terminals together may cause burns or a fire.
- d) **Under abusive conditions, liquid may be ejected from the battery; avoid contact. If contact accidentally occurs, flush with water. If liquid**

- contacts eyes, additionally seek medical help.** Liquid ejected from the battery may cause irritation or burns.
- e) **Do not use a battery pack or tool that is damaged or modified.** Damaged or modified batteries may exhibit unpredictable behaviour resulting in fire, explosion or risk of injury.
- f) **Do not expose a battery pack or tool to fire or excessive temperature.** Exposure to fire or temperature above 130°C may cause explosion.
- g) **Follow all charging instructions and do not charge the battery pack or tool outside the temperature range specified in the instructions.** Charging improperly or at temperatures outside the specified range may damage the battery and increase the risk of fire.
- 6) SERVICE**
- a) **Have your power tool serviced by a qualified repair person using only identical replacement parts.** This will ensure that the safety of the power tool is maintained.
- b) **Never service damaged battery packs.** Service of battery packs should only be performed by the manufacturer or authorized service providers.

## SAFETY WARNINGS FOR CORDLESS CIRCULAR SAWS

### 1) CUTTING PROCEDURES

- a) **⚠ DANGER : Keep hands away from cutting area and the blade. Keep your second hand on auxiliary handle, or motor housing.** If both hands are holding the saw, they can not be cut by the blade.
- b) **Do not reach underneath the workpiece.** The guard cannot protect you from the blade below the workpiece.
- c) **Adjust the cutting depth to the thickness of the workpiece.** Less than a full tooth of the blade teeth should be visible below the workpiece.
- d) **Never hold the workpiece being cut in your hands or across your leg. Secure the workpiece to a stable platform.** It is important to support the work properly to minimize body exposure, blade binding, or loss of control.
- e) **Hold the power tool by insulated gripping surfaces only, when performing an operation where the cutting tool may contact hidden wiring or its own cord** (contact with a "live" wire will also make exposed metal parts of the power tool "live" and could give the operator an electric shock)
- f) **When ripping always use a parallel guide or straight edge guide.** This improves the accuracy of cut and reduces the chance of blade binding.
- g) **Always use blades with correct size and shape (diamond versus round) of arbour holes.** Blades that do not match the mounting hardware of the saw will run off-centre, causing loss of control.
- h) **Never use damaged or incorrect blade washers or bolt.** The blade washers and bolt were specially designed for your saw, for optimum performance and safety of operation.

### 2) KICKBACK CAUSES AND RELATED WARNINGS

- Kickback is a sudden reaction to a pinched, jammed or misaligned saw blade, causing an uncontrolled saw to lift up and out of the workpiece toward the operator
- When the blade is pinched or jammed tightly by the kerf closing down, the blade stalls and the motor reaction drives the unit rapidly back toward the operator
- If the blade becomes twisted or misaligned in the cut, the

teeth at the back edge of the blade can dig into the top surface of the wood causing the blade to climb out of the kerf and jump back towards operator

- Kickback is the result of power tool misuse and/or incorrect operating procedures or conditions and can be avoided by taking proper precautions as given below.
- a) **Maintain a firm grip with both hands on the saw and position your arms to resist kickback forces. Position your body to either side of the blade, but not in line with the blade.** Kickback could cause the saw to jump backwards, but kickback forces can be controlled by the operator, if proper precautions are taken.
- b) **When blade is binding, or when interrupting a cut for any reason, release the trigger and hold the saw motionless in the material until the blade comes to a complete stop. Never attempt to remove the saw from the work or pull the saw backwards while the blade is in motion or kickback may occur.** Investigate and take corrective actions to eliminate the cause of blade binding. Avoid cutting nails or screws.
- c) **When restarting a saw in the workpiece, centre the saw blade in the kerf and check that saw teeth are not engaged into the material.** If saw blade is binding, it may walk up or kickback from the workpiece as the saw is restarted.
- d) **Support large panels to minimise the risk of blade pinching and kickback.** Large panels tend to sag under their own weight. Supports must be placed under the panel on both sides, near the line of cut and near the edge of the panel.
- e) **Do not use dull or damaged blades.** Unsharpened or improperly set blades produce narrow kerf causing excessive friction, blade binding and kickback.
- f) **Blade depth and bevel adjusting locking levers must be tight and secure before making the cut.** If blade adjustment shifts while cutting, it may cause binding and kickback.
- g) **Use extra caution when sawing into existing walls or other blind areas.** The protruding blade may cut objects that can cause kickback.

### 3) LOWER GUARD FUNCTION

- a) **Check lower guard for proper closing before each use. Do not operate the saw if lower guard does not move freely and close instantly. Never clamp or tie the lower guard into the open position.** If the saw is accidentally dropped, lower guard may be bent. Raise the lower guard with the retracting handle and make sure it moves freely and does not touch the blade or any other part, in all angles and depths of cut.
- b) **Check the operation of the lower guard spring. If the guard and the spring are not operating properly, they must be serviced before use.** Lower guard may operate sluggishly due to damaged parts, gummy deposits, or a build-up of debris.
- c) **Lower guard should be retracted manually only for special cuts such as plunge cuts and compound cuts. Raise lower guard by retracting handle and as soon as blade enters the material, the lower guard must be released.** For all other sawing, the lower guard should operate automatically.
- d) **Always observe that the lower guard is covering the blade before placing the saw down on bench**

**or floor.** An unprotected, coasting blade will cause the saw to walk backwards, cutting whatever is in its path. Be aware of the time it takes for the blade to stop after switch is released.

## ADDITIONAL SAFETY WARNINGS

### GENERAL

- This tool should not be used by people under the age of 16 years
- This tool is not suitable for wet cutting
- **Do not work materials containing asbestos** (asbestos is considered carcinogenic)
- Dust from material such as paint containing lead, some wood species, minerals and metal may be harmful (contact with or inhalation of the dust may cause allergic reactions and/or respiratory diseases to the operator or bystanders); **wear a dust mask and work with a dust extraction device when connectable**
- Certain kinds of dust are classified as carcinogenic (such as oak and beech dust) especially in conjunction with additives for wood conditioning; **wear a dust mask and work with a dust extraction device when connectable**
- Follow the dust-related national requirements for the materials you want to work with
- Do not use this saw in combination with a saw table
- Remove battery from tool before making any adjustments or changing accessories

### ACCESSORIES

- SKIL can assure flawless functioning of the tool only when original accessories are used
- Use only saw blades that correspond with the characteristic data given in these operation instructions and that are tested and marked in accordance with EN 847-1
- Use only accessories with an allowable speed matching at least the highest no-load speed of the tool
- Use only saw blades with a minimum diameter of 184 mm, a maximum diameter of 184 mm and a spindle hole of 16 mm
- Never use saw blades made of high speed steel (HSS)
- Never use grinding/cutting discs with this tool

### BEFORE USE

- Avoid damage that can be caused by screws, nails and other elements in your workpiece; remove them before you start working
- Remove all obstacles on top of as well as underneath the cutting path before you start cutting
- **Secure the workpiece** (a workpiece clamped with clamping devices or in a vice is held more securely than by hand)
- **Use suitable detectors to find hidden utility lines or call the local utility company for assistance** (contact with electric lines can lead to fire or electrical shock; damaging a gas line can result in an explosion; penetrating a water pipe will cause property damage or an electrical shock)

### DURING USE

- The noise level when working can exceed 85 dB(A); wear ear protection
- Never use the tool without the original protection guard system
- Do not attempt to cut extremely small workpieces
- Do not work overhead with the tool

- In case of jamming or electrical or mechanical malfunction, immediately switch off the tool and remove the battery

#### AFTER USE

- When you put away the tool, switch off the motor and ensure that all moving parts have come to a complete standstill
- After switching off your circular saw, never stop the rotation of the saw blade by a lateral force applied against it

#### BATTERIES

- **The battery supplied is partially charged** (to ensure full capacity of the battery, completely charge the battery in the battery charger before using your power tool for the first time)
- **Only use the following batteries and chargers with this tool**
  - SKIL battery: BR1\*31\*\*\*\*
  - SKIL charger: CR1\*31\*\*\*\*
- Do not use the battery when damaged; it should be replaced
- Do not disassemble the battery
- Do not expose tool/battery to rain
- Permitted ambient temperature (tool/charger/battery):
  - when charging 4...40°C
  - during operation -20...+50°C
  - during storage -20...+50°C

#### EXPLANATION OF SYMBOLS ON TOOL/BATTERY

- ③ Read the instruction manual before use
- ④ Batteries may explode when disposed of in fire, so do not burn battery for any reason
- ⑤ Store tool/charger/battery in locations where temperature will not exceed 50°C
- ⑥ Do not dispose of electric tools and batteries together with household waste material

#### USE

- Charging battery
  - ! read the safety warnings and instructions provided with the charger
- Removing/installing the battery ②
- Mounting saw blade ②
  - ! remove battery from tool
  - take hex key A from storage B
  - push spindle-lock button C and hold it while you remove blade bolt D by turning hex key A
  - COUNTERCLOCKWISE** (= in same direction as arrow printed on saw blade)
  - ! push spindle-lock button C only when tool is at a standstill
  - release spindle-lock button C
  - remove flange E
  - ! make sure that clamping surfaces H of flanges are perfectly clean and face the blade
  - open lower guard F with lever G and hold it while you mount saw blade with saw teeth and arrow printed on saw blade pointing in same direction as arrow on lower guard
  - release lower guard F
  - mount flange E
  - push spindle-lock button C and hold it while you tighten blade bolt with hex key 1/8 turn past finger tight (ensures slippage of saw blade when it encounters

excessive resistance thus reducing motor overload and saw kickback)

- release spindle-lock button C
- Adjusting cutting depth (0-66 mm) ⑦
  - for an optimal quality cut the saw blade should not extend more than 3 mm below the workpiece
  - loosen knob J
  - raise/lower foot K until desired cutting depth is set on scale using indicator L
  - tighten knob J
- Battery level indicator ⑧
  - press the battery level indicator button AC to show the current battery level ⑧a
  - ! when the lowest level of the battery indicator starts flashing after pressing button AC ⑧b, the battery is empty
  - ! when 2 levels of the battery indicator start flashing after pressing button AC ⑧c, the battery is not within the allowable operating temperature range
- LED-light ⑫ V
  - LED-light automatically lights on when activating the on/off switch
  - ! when LED-light starts flashing, the battery protection is activated (see below)
- Battery protection
  - The tool is suddenly being switched off or prevented from being switched on, when
    - the load is too high --> remove load and restart
    - the battery temperature is not within the allowable operating temperature range of -20 to +50°C --> 2 levels of the battery level indicator start flashing when pressing button AC ⑧c; wait until battery has returned within the allowable operating temperature range
    - the battery is nearly empty (to protect against deep discharge) --> a low battery level or flashing low battery level ⑧b is shown by the battery level indicator when pressing button AC; charge battery
  - ! do not continue to press the on/off switch after the tool is switched off automatically; battery may be damaged
- Adjusting cutting angle (0-56°) ⑨
  - loosen lever M
  - tilt tool until desired cutting angle is set on scale using indicator N
  - the 45°bevel stop P offers a quick setting of 45°bevel angle
  - to set a bevel angle larger than 45°, rotate the 45°bevel stop P to take it out from the indicator N
  - tighten lever M
  - ! when bevel cutting, cutting depth does not correspond with value on cutting depth scale
- Line-of-cut indicator Q ⑩
  - for guiding tool along desired line of cut marked on the workpiece
  - for a straight 0° cut or a 45° bevel cut use the indicator line concerned
  - ! the wide part of the foot should rest on the supported part of the workpiece
  - ! cutting width is determined by width of blade teeth and not by width of blade body
  - ! always make trial cuts first to verify actual line of cut
- Dust suction ⑪

Attach the vacuum cleaner adapter R to the saw with the Phillips head screw

For using vacuum cleaner

- connect vacuum cleaner hose to vacuum cleaner adapter R

**! never let the vacuum cleaner hose interfere with the lower guard or the cutting operation**

Dust bag

- mount dust bag AD

- Operating the tool

- mount battery
- always hold handle S firmly with one hand and handle T firmly with the other hand
- place tool with front end of foot flat on workpiece

**! ensure that the saw teeth are not engaged into the workpiece**

- switch on tool by first pressing safety switch W and then pulling trigger Y

**! the tool should run at full speed before the blade enters into the workpiece**

- lower guard F opens automatically when saw blade enters the workpiece (open lower guard manually by using lever G only for special cuts such as plunge cuts)

**! do not force the tool (apply light and continuous pressure in order to avoid overheating the blade tips)**

- after completing the cut switch off tool by releasing trigger Y

**! ensure that the blade has come to a complete standstill before you lift the tool from the workpiece**

## APPLICATION ADVICE

- Always face the good side of the workpiece down to ensure minimum splintering
- Only use sharp saw blades of the correct type <sup>(13)</sup>
  - quality of cut improves by the number of teeth
  - carbide tipped blades stay sharp up to 30 times longer than ordinary blades
- Cross cuts/rip cuts <sup>(14)</sup>

Cross-cuts or rip cuts are easy to do with a parallel guide Z.

- align the guideline with the 0° line-of-cut indicator Q on the foot

- insert a parallel guide Z through slots in either side of foot to desired width and secure with the knob AA

**! ensure rip fence does not interfere with the free movement of the lower guard and saw blade**

- Plunge cutting <sup>(15)</sup>

- set desired cutting depth
- tilt tool forward with line-of-cut indicator Q lined up with desired line of cut marked on the workpiece
- open lower guard F with lever G
- just before blade enters workpiece, switch on tool and gradually lower back end of tool using front end of foot as hinge-point
- gradually move tool downward as well as forward
- as soon as blade enters the material, release lever G

**! never pull tool backwards**

- Cutting large panels <sup>(16)</sup>

- support panel close to the cut either on floor, table or workbench

**! set cutting depth so that you cut through panel**

### and not through support

- in case parallel guide does not allow desired width of cut, clamp or nail straight piece of wood to workpiece as a guide, and use the left side of the foot against this guide <sup>(17)</sup>

- Cutting with a guide rail <sup>(18)</sup> \*NOT STANDARD INCLUDED

The use of a guide rail offers precise, straight, accurate cuts, either at 0° or 45° bevel cuts.

Before making the first cut with the guide rail, the rubber lip must be adapted to the circular saw used.

- for a straight 0° cut, line up the 0° bevel side of the rail AE (or the 45° bevel side when making a 45° bevel cut) with desired line of cut marked on the workpiece
- secure the guide rail AE firmly on the workpiece using guide rail clamps AF <sup>(18)</sup> \*NOT STANDARD INCLUDED
- slide the saw onto the rail AE and turn the knobs for adjusting guide slot U clockwise to minimize the gap between the slot in the foot and the raised rib on the rail AE, and make sure that the saw can slide freely on the rail without swinging sideways.
- when setting the cutting depth remember to allow for the thickness of the guide rail AE
- guide the saw uniformly with a slow feed rate through the end of the rail

- For more information see [www.skil.com](http://www.skil.com)

## MAINTENANCE / SERVICE

- This tool is not intended for professional use
- Always keep tool clean
- **! remove battery from tool before cleaning**
- Always keep the area around lower guard F <sup>(2)</sup> clean (remove dust and chips by blowing out with compressed air or with a brush)
- Clean saw blade immediately after use (especially from resin and glue)
- If the tool should fail despite the care taken in manufacturing and testing procedures, repair should be carried out by an after-sales service centre for SKIL power tools
  - send the tool **undismantled** together with proof of purchase to your dealer or the nearest SKIL service station (addresses as well as the service diagram of the tool are listed on [www.skil.com](http://www.skil.com))
- Be aware that damage due to overload or improper handling of the tool will be excluded from the warranty (for the SKIL warranty conditions see [www.skil.com](http://www.skil.com) or ask your dealer)

## ENVIRONMENT

Only for EU countries

- **Do not dispose of electric tools, accessories and packaging together with household waste material**
  - in observance of European Directive 2012/19/EC on waste of electric and electronic equipment and its implementation in accordance with national law, electric tools that have reached the end of their life must be collected separately and returned to an environmentally compatible recycling facility
  - symbol <sup>(6)</sup> will remind you of this when the need for disposing occurs
- **! prior to disposal protect battery terminals with heavy tape to prevent short-circuit**



Only for UK

- **Do not dispose of electric tools, accessories and packaging together with household waste material**
  - in observance of on Waste Electric and Electronic Equipment Regulations 2013 (SI 2013/3113), electric tools that have reached the end of their life must be collected separately and returned to an environmentally compatible recycling facility
  - symbol ⑥ will remind you of this when the need for disposing occurs
- ! **prior to disposal protect battery terminals with heavy tape to prevent short-circuit**

## NOISE / VIBRATION

- Measured in accordance with EN 62841 the sound pressure level of this tool is 91 dB(A) and the sound power level 102 dB(A) (uncertainty K = 3 dB), and the vibration \* (triax vector sum; uncertainty K = 1.5 m/s<sup>2</sup>)
  - \* cutting wood < 2.5 m/s<sup>2</sup>
- The vibration emission level has been measured in accordance with a standardised test given in EN 62841; it may be used to compare one tool with another and as a preliminary assessment of exposure to vibration when using the tool for the applications mentioned
  - using the tool for different applications, or with different or poorly maintained accessories, may significantly **increase** the exposure level
  - the times when the tool is switched off or when it is running but not actually doing the job, may significantly **reduce** the exposure level
- ! **protect yourself against the effects of vibration by maintaining the tool and its accessories, keeping your hands warm, and organizing your work patterns**

F

## Scie circulaire sans fil sans balais 3571

### INTRODUCTION

- Cet outil est conçu pour effectuer dans le bois des coupes droites longitudinales et transversales ainsi que des angles d'onglet jusqu'à 56°
- Cet outil n'est pas conçu pour un usage professionnel.
- Lisez et conservez ce manuel d'instructions ③

### CARACTÉRISTIQUES TECHNIQUES ①

#### PIÈCES DE L'OUTIL ②

- A Clé six pans
- B Logement pour clé six pans
- C Bouton de blocage de la broche
- D Boulon de la lame
- E Bride
- F Carter de protection inférieur
- G Levier d'ouverture du carter inférieur
- H Surface de serrage
- J Bouton de réglage de la profondeur de sciage
- K Semelle

- L Indicateur de profondeur de coupe
  - M Levier de réglage de l'angle de coupe
  - N Indicateur d'angle de coupe
  - P Butée de biseau 45°
  - Q Indicateur de la ligne de coupe
  - R Adaptateur pour aspirateur
  - S Poignée arrière
  - T Poignée avant
  - U Boutons de réglage de la fente de guidage
  - V Lampe LED
  - W Interrupteur de sécurité
  - X Fente de guidage
  - Y Interrupteur marche/arrêt (gâchette)
  - Z Butée parallèle
  - AA Vis de réglage du guide parallèle
  - AB Crochet
  - AC Témoin de niveau de charge de la batterie
  - AD Sac à poussières\*
  - AE Rail de guidage\*
  - AF Bride de serrage du rail de guidage\*
- \* NON FOURNI EN STANDARD

## SÉCURITÉ

### CONSIGNES DE SÉCURITÉ GÉNÉRALES POUR L'OUTIL ÉLECTRIQUE

**⚠ AVERTISSEMENT Lisez toutes les consignes de sécurité, les instructions, les illustrations et les spécifications de sécurité fournies avec cet outil électrique.** Le non-respect des consignes figurant ci-dessous peut provoquer un choc électrique, un incendie et/ou des blessures graves.

**Conservez tous les avertissements et instructions pour pouvoir vous y référer ultérieurement.**

Le terme « outil électrique » utilisé dans les consignes de sécurité désigne votre outil électrique fonctionnant sur le secteur (filaire) ou sur batterie (sans fil).

#### 1) SÉCURITÉ DE L'AIRE DE TRAVAIL

- a) **Maintenez l'aire de travail propre et bien éclairée.** Les endroits sombres ou désordonnés augmentent les risques d'accident.
- b) **N'utilisez pas les outils électriques dans des atmosphères explosives, par exemple en présence de liquides, gaz ou poussières inflammables.** Les outils électriques génèrent des étincelles pouvant enflammer les poussières et les vapeurs.
- c) **Veillez à ce que les enfants et les autres personnes restent éloignés pendant l'utilisation d'un outil électrique.** Un moment d'inattention peut vous faire perdre le contrôle de l'outil.

#### 2) SÉCURITÉ ÉLECTRIQUE

- a) **La fiche de l'outil électrique doit correspondre à la prise électrique. Ne modifiez jamais la prise de quelque manière que ce soit. N'utilisez jamais d'adaptateur de prise avec les outils électriques pourvus d'une mise à la terre (à la masse).** Les fiches non modifiées et les prises électriques appropriées réduisent le risque de choc électrique.
- b) **Évitez tout contact physique avec des surfaces**

- mises à la terre ou mises à la masse, telles que tuyaux, radiateurs, fours et réfrigérateurs.** Il y a un risque accru de choc électrique si votre corps est relié à la terre ou à la masse, directement ou indirectement.
- c) **N'exposez pas les outils électriques à la pluie ou à un environnement mouillé.** Si de l'eau pénètre dans un outil électrique, cela accroît le risque de choc électrique.
- d) **Prenez soin du câble d'alimentation. N'utilisez jamais le câble d'alimentation pour porter, tirer ou débrancher l'outil électrique. Veillez à ce que le câble d'alimentation n'entre jamais en contact avec de l'huile, des pièces mobiles, des arêtes tranchantes, et ne soit jamais exposé à de la chaleur.** Les câbles d'alimentation endommagés ou emmêlés augmentent le risque de choc électrique.
- e) **Quand vous utilisez un outil électrique en extérieur, utilisez une rallonge électrique adaptée à un usage en extérieur.** L'utilisation d'une rallonge conçue pour un usage en extérieur permet de réduire le risque de choc électrique.
- f) **Si l'utilisation d'un outil électrique dans un endroit humide est inévitable, utilisez une alimentation protégée par un dispositif à courant différentiel résiduel (RCD).** L'utilisation d'un DDR réduit le risque de choc électrique.
- 3) SÉCURITÉ DES PERSONNES**
- a) **Restez vigilant, soyez attentif à ce que vous faites et faites preuve de bon sens lors de l'utilisation d'un outil électrique. N'utilisez pas un outil électrique quand vous êtes fatigué ou sous l'emprise de l'alcool, de stupéfiants ou de médicaments.** Un moment d'inattention pendant l'utilisation des outils électriques peut provoquer des blessures corporelles graves.
- b) **Utilisez des équipements de protection individuelle. Portez toujours une protection oculaire.** L'utilisation d'équipements de protection appropriés aux conditions de travail, tels que masque antipoussières, chaussures de sécurité antidérapantes, casque et protections auditives, permet de réduire les risques de blessures corporelles.
- c) **Évitez les démarrages accidentels. Vérifiez que l'interrupteur marche/arrêt est dans la position arrêt avant de brancher l'outil dans une prise électrique et/ou une batterie, de le saisir ou de le transporter.** Transporter un outil électrique les doigts sur son interrupteur marche/arrêt ou le brancher dans une alimentation électrique alors que son interrupteur marche/arrêt est dans la position marche favorise les accidents.
- d) **Retirez toutes les clés de réglage et de serrage avant de mettre l'outil électrique en marche.** Une clé de réglage ou de serrage laissée sur une pièce rotative de l'outil électrique peut provoquer des blessures corporelles.
- e) **N'essayez pas de travailler des endroits difficiles à atteindre. Conservez en permanence des appuis des pieds solides et un bon équilibre.** Cela permet un meilleur contrôle de l'outil électrique en cas de situations inattendues.
- f) **Portez une tenue adaptée. Ne portez pas de vêtements amples ni de bijoux. Maintenez vos cheveux et vos vêtements éloignés des pièces**
- mobiles.** Les vêtements amples, les bijoux et les cheveux longs peuvent se prendre dans les pièces mobiles.
- g) **Si un outil est conçu pour être utilisé avec des dispositifs d'extraction et de récupération des poussières, veillez à ce que ces dispositifs soient raccordés et correctement utilisés.** L'utilisation de dispositifs de récupération des poussières permet de réduire les risques liés aux poussières.
- h) **Veillez à ne pas devenir trop sûr(de vous et ne cessez pas de respecter les principes de sécurité même si vous vous sentez familiarisé(à l'utilisation de l'outil.** La négligence peut provoquer des blessures graves en une fraction de seconde.
- 4) UTILISATION ET ENTRETIEN DE L'OUTIL ÉLECTRIQUE**
- a) **Ne forcez pas l'outil électrique. Utilisez l'outil électrique qui convient au travail que vous voulez effectuer.** L'utilisation d'un outil qui convient au travail à effectuer permet de réaliser ce travail plus efficacement, avec une sécurité accrue et au rythme pour lequel l'outil a été conçu.
- b) **N'utilisez pas l'outil électrique si son interrupteur marche/arrêt ne permet pas de l'allumer et de l'éteindre.** Tout outil électrique qui ne peut pas être contrôlé par son interrupteur marche/arrêt est dangereux et doit être réparé.
- c) **Débranchez le câble de l'alimentation électrique et/ou retirez la batterie, si amovible, de l'outil électrique avant tout réglage ou changement d'accessoire, et avant de ranger l'outil électrique.** Cette mesure de sécurité préventive réduit le risque de démarrage accidentel de l'outil électrique.
- d) **Rangez les outils électriques non utilisés hors de portée des enfants. N'autorisez pas les personnes non familiarisées avec l'outil électrique ou ce manuel d'utilisation à l'utiliser.** Les outils électriques sont dangereux dans les mains de personnes inexpérimentées.
- e) **Entretenez les outils électriques et les accessoires. Inspectez-les pour vérifier qu'aucune pièce mobile n'est grippée ou mal alignée, qu'aucune pièce n'est cassée, et pour tout autre problème qui pourrait affecter leur fonctionnement. Si un outil électrique est endommagé, il doit être réparé avant d'être réutilisé.** Beaucoup d'accidents sont dus à des outils électriques mal entretenus.
- f) **Veillez à ce que les accessoires de coupe restent affûtés et propres.** Des accessoires de coupe bien entretenus et bien affûtés risquent moins de se coincer et sont plus faciles à contrôler.
- g) **Utilisez l'outil électrique, ses accessoires, mèches/embouts et toutes les autres pièces conformément aux présentes instructions, en prenant en compte les conditions d'utilisation et le travail à effectuer.** Utiliser l'outil électrique à d'autres finalités que celles pour lesquelles il a été conçu peut engendrer des situations dangereuses.
- h) **Maintenez les poignées et surfaces de préhension propres, sèches et exemptes d'huile et de graisse.** Les poignées et surfaces de préhension glissantes ne permettent pas de tenir et de contrôler l'outil de manière sûre en cas de situations inattendues.




## 5) UTILISATION ET ENTRETIEN DE LA BATTERIE

- a) **Rechargez la batterie exclusivement avec le chargeur spécifié par le fabricant.** Un chargeur adapté à un type de batterie en particulier peut présenter un risque d'incendie s'il est utilisé avec une batterie différente.
  - b) **Utilisez les outils électriques exclusivement avec les batteries spécifiées.** L'utilisation de toute autre batterie peut engendrer un risque de blessures et d'incendie.
  - c) **Quand la batterie n'est pas utilisée, elle doit être rangée à l'écart d'objets métalliques, tels que les trombones, pièces de monnaie, clés, clous, vis et tous les autres petits objets métalliques pouvant mettre en contact ses bornes.** Mettre en court-circuit les bornes de la batterie peut provoquer des brûlures et un incendie.
  - d) **En cas d'usage abusif, du liquide peut s'échapper de la batterie. Évitez tout contact avec ce liquide. En cas de contact accidentel, rincez à grande eau. En cas de contact avec les yeux, vous devez en outre consulter un médecin.** Le liquide qui s'échappe des batteries peut provoquer des irritations et des brûlures.
  - e) **N'utilisez pas une batterie ou un outil endommagé ou modifié.** Les batteries modifiées ou endommagées peuvent avoir un comportement imprévisible provoquant un incendie, une explosion ou un risque de blessure.
  - f) **N'exposez pas la batterie ou l'outil à des flammes ou à une température excessive.** L'exposition au feu ou à des températures supérieures à 130 °C peut provoquer une explosion.
  - g) **Respectez toutes les instructions de recharge et ne rechargez pas la batterie ou l'outil hors de la plage de température spécifiée dans les instructions.** La recharge incorrecte ou à des températures hors de la plage spécifiée peut endommager la batterie et accroître le risque d'incendie.
- ## 6) RÉPARATION
- a) **Faites réparer votre outil électrique par un réparateur qualifié qui ne doit utiliser que des pièces de rechange identiques.** Ceci permet de garantir la sûreté de l'outil électrique.
  - b) **Ne réparez jamais les batteries endommagées.** La réparation des batteries doit toujours être effectuée par le fabricant ou des réparateurs agréés.

## AVERTISSEMENTS DE SÉCURITÉ POUR LES SCIES CIRCULAIRES SANS FIL

### 1) PROCÉDURES DE COUPE

- a) ** DANGER : Maintenez les mains éloignées de la zone de coupe et de la lame. Votre deuxième main doit rester sur la poignée auxiliaire ou sur le boîtier moteur.** Si vos deux mains tiennent la scie, elles ne peuvent pas être coupées par la lame.
- b) **Ne placez jamais aucune partie de votre corps sous la pièce à scier.** Le carter de protection ne peut pas vous protéger de la lame sous la pièce travaillée.
- c) **Réglez la profondeur de coupe en fonction de l'épaisseur de la pièce à scier.** La hauteur de lame visible sous la pièce à scier doit être inférieure à une dent.
- d) **Ne tenez jamais la pièce en train d'être sciée avec**

- vos mains et ne la posez jamais en travers sur vos jambes. Fixez-la sur une plateforme stable.** Il est important de correctement soutenir la pièce à scier pour minimiser l'exposition du corps de l'opérateur et les risques de pincement de la lame et de perte de contrôle.
- e) **Tenez l'outil électrique uniquement par les surfaces de préhension isolées pendant les opérations au cours desquelles l'accessoire coupant peut être en contact avec des câbles cachés ou avec son propre câble** (le contact avec un câble « sous tension » peut également mettre « sous tension » les parties métalliques exposées de l'outil électrique et provoquer un choc électrique sur l'opérateur).
  - f) **Pour les sciages en long, utilisez toujours un guide parallèle ou un rail de guidage.** Cela permet d'accroître la précision des coupes et de réduire le risque de pincement de la lame.
  - g) **Utilisez toujours des lames dont la taille et la forme de l'alsage (diamant ou ronsont appropriées.** Des lames qui ne sont pas adaptées au support de fixation de la scie s'excentreront et provoqueront la perte de contrôle de l'outil.
  - h) **N'utilisez jamais de boulons ni de rondelles de lame endommagés ou inappropriés.** Les brides et le boulon de lame sont conçus spécifiquement pour votre scie afin d'assurer des performances optimales et la sécurité d'utilisation.

### 2) CAUSES DES REBONDS ET MISES EN GARDE ASSOCIEES

- Un rebond est une réaction soudaine provoquée par une lame mal alignée, pincée ou coincée qui projette la scie de manière incontrôlée vers le haut, hors de la pièce usinée et vers l'opérateur.
  - Quand la lame est pincée ou coincée fortement parce que la ligne de coupe se referme, elle se bloque et la réaction du moteur projette violemment l'outil en arrière vers l'opérateur.
  - Si la lame est courbée ou mal alignée dans la coupe, les dents arrière de la lame peuvent se planter dans la surface supérieure du bois, ce qui projette la lame vers le haut, hors de la ligne de coupe et en arrière vers l'opérateur
  - Les rebonds résultent d'une utilisation impropre de l'outil électrique et/ou de procédures d'utilisation incorrectes et/ou de conditions d'utilisation inadéquates. Il est possible de les éviter en prenant les précautions appropriées suivantes.
- a) **Tenez fermement la scie à deux mains et positionnez vos bras de façon à pouvoir résister aux forces d'un rebond. Positionnez votre corps décalé sur l'un des côtés de la lame et non dans l'alignement de celle-ci.** Un rebond peut projeter violemment la scie en arrière, mais les forces d'un rebond peuvent être contrôlées par l'opérateur si les précautions appropriées ont été prises.
  - b) **Si la lame se coince ou si vous arrêtez une coupe pour quelque raison que ce soit, relâchez l'interrupteur marche/arrêt et maintenez la scie immobile dans le matériau jusqu'à ce que la lame se soit complètement arrêtée. N'essayez jamais de retirer la scie de la pièce usinée ou de la tirer en arrière quand la lame est en rotation ou qu'un rebond peut se produire.** Cherchez la cause du blocage de la lame et prenez des mesures correctrices

pour en éliminer la cause. Évitez de couper des clous ou des vis.

- c) **Quand vous redémarrez la scie dans la pièce usinée, centrez la lame de la scie dans la ligne de coupe et vérifiez que ses dents ne sont pas engagées dans le matériau.** Si la lame est coincée, elle peut se déplacer vers le haut ou rebondir hors de la pièce travaillée quand la scie est redémarrée.
- d) **Les grands panneaux doivent être soutenus pour minimiser le risque de pincement de la lame et de rebond.** Les grands panneaux ont tendance à s'affaisser sous leur propre poids. Il faut donc placer des supports sous ces panneaux près de leurs bords et de chaque côté de la ligne de coupe, près d'elle.
- e) **N'utilisez pas de lame émoussée ou endommagée.** Les lames émoussées ou incorrectement assemblées produisent une ligne de coupe étroite, ce qui provoque des frictions excessives et favorise le pincement de la lame et les rebonds.
- f) **Avant de commencer une coupe, veillez à bien serrer les leviers de verrouillage des réglages de la profondeur de coupe et du biseau.** Si le réglage de la lame change pendant la coupe, elle risque de se coincer et de provoquer un rebond.
- g) **Redoublez de prudence lors du sciage dans des murs existants ou d'autres zones aveugles.** La partie saillante de la lame peut couper des objets pouvant provoquer des rebonds.

### 3) FONCTIONNEMENT DU CARTER INFÉRIEUR

- a) **Avant chaque utilisation, vérifiez que le carter de protection inférieur se ferme correctement. N'utilisez pas la scie si le carter inférieur ne bouge pas librement et ne se referme pas instantanément. Ne fixez jamais et n'attachez jamais le carter de protection inférieur en position ouverte.** Si la scie tombe accidentellement, le carter de protection inférieur peut être déformé. Relevez le carter de protection inférieur à l'aide de sa poignée de rétraction, vérifiez qu'il peut bouger librement et qu'il ne touche ni la lame ni aucune autre pièce, cela dans tous les angles et à toutes les profondeurs de coupe.
- b) **Contrôlez le fonctionnement du ressort du carter de protection inférieur. Si le ressort et le carter de protection ne fonctionnent pas normalement, vous devez les faire réparer avant d'utiliser la scie.** Le fonctionnement du carter de protection inférieur peut être altéré par des pièces endommagées, des dépôts collants ou l'accumulation de débris.
- c) **Le carter de protection inférieur ne doit être relevé manuellement que pour certaines coupes spéciales, telles que les coupes plongeantes et les coupes composées. Relevez le carter de protection inférieur par la poignée rétractable et relâchez-le impérativement dès que la lame pénètre dans le matériau.** Pour toutes les autres coupes, vous devez laisser le carter de protection inférieur fonctionner automatiquement.
- d) **Vérifiez toujours que le carter de protection inférieur recouvre la lame avant de poser la scie sur un établi ou sur le sol.** Une lame non protégée entraînée par son inertie provoquera le recul de la scie, qui coupera tout ce qui se trouvera sur son passage. Soyez conscient qu'après avoir relâché l'interrupteur

marche/arrêt, il faut un certain temps avant que la lame s'arrête complètement.

## MISES EN GARDE SUPPLÉMENTAIRES

### GÉNÉRALITÉS

- Cet outil ne doit pas être utilisé par des personnes de moins de 16 ans
- Cet outil ne convient pas pour couper à mouillage
- **Ne sciez pas dans des matériaux contenant de l'amiante** (l'amiante est considéré comme étant cancérigène)
- La poussière de matériaux, tels que la peinture contenant du plomb, certaines espèces de bois, certains minéraux et différents métaux, peut être nocive (le contact avec la poussière ou son inhalation peut provoquer des réactions allergiques et/ou des maladies respiratoires chez l'opérateur ou des personnes se trouvant à proximité); **portez un masque anti-poussières et travaillez avec un dispositif d'extraction des poussières lorsqu'il est possible d'en connecter un**
- Certains types de poussières sont classifiés comme étant cancérigènes (tels que la poussière de chêne ou de hêtre), en particulier en combinaison avec des additifs de traitement du bois; **portez un masque anti-poussières et travaillez avec un dispositif d'extraction des poussières lorsqu'il est possible d'en connecter un**
- Respectez les exigences nationales relatives à la poussière pour les matériaux que vous souhaitez utiliser
- N'utilisez pas cette scie en combinaison avec une table de scie
- Retirez la batterie de l'outil avant d'effectuer des réglages ou de changer d'accessoires

### ACCESSOIRES

- SKIL ne peut se porter garant du bon fonctionnement de cet outil que s'il est utilisé avec les accessoires d'origine
- N'utilisez que des lames de scie qui correspondent aux caractéristiques techniques indiquées dans le présent mode d'emploi et qui ont été testées et marquées conformément à la norme EN 847-1
- N'utilisez que des accessoires dont la vitesse admissible est au moins aussi élevée que la vitesse à vide maximale de l'outil
- Utilisez uniquement des lames de scie d'un diamètre de 184 mm et dont l'alésage de broche est de 16 mm
- N'utilisez jamais de lames de scie en acier rapide (HSS)
- N'utilisez jamais de disques de meulage/à tronçonner avec cet outil

### AVANT UTILISATION

- Faites attention aux vis, clous ou autres éléments qui pourraient se trouver dans la pièce à usiner et qui risqueraient d'endommager votre outil; enlevez-les avant de commencer le travail
- Enlevez tous les obstacles au-dessus et en dessous du chemin de coupe avant de commencer à couper
- **Fixez solidement la pièce** (une pièce fixée à l'aide de dispositifs de fixation ou d'un étau est mieux maintenue qu'à la main)
- **Utilisez des détecteurs appropriés afin de localiser les conduites dissimulées ou bien adressez-vous à votre fournisseur local** (un contact avec des lignes électriques peut provoquer un incendie ou une décharge électrique ; endommager une conduite de gaz peut entraîner une explosion ; endommager une conduite d'eau peut entraîner des dégâts matériels ou une

décharge électrique)

## PENDANT L'UTILISATION

- Le niveau de bruit pendant le travail peut dépasser 85 dB(A) ; portez une protection auditive
- N'utilisez jamais l'outil sans le système de protection d'origine
- N'essayez pas de couper des pièces extrêmement petites
- Ne travaillez pas au-dessus de votre tête avec l'outil
- En cas de blocage, de dysfonctionnement électrique ou mécanique, éteignez immédiatement l'outil et retirez-en la batterie

## APRÈS L'UTILISATION

- Avant de ranger l'outil, coupez le moteur et assurez-vous que toutes les pièces mobiles se sont complètement arrêtées
- Après avoir éteint la scie circulaire, n'arrêtez jamais la rotation de la lame en exerçant une force latérale contre

## BATTERIE

- **La batterie fournie est partiellement chargée** (pour garantir la capacité totale de la batterie, chargez-la intégralement dans le chargeur de batterie avant d'utiliser l'outil électrique pour la première fois)
- **Utilisez uniquement les batteries et les chargeurs suivants avec cet outil**
  - Batterie SKILL : BR1\*31\*\*\*\*
  - Chargeur SKILL : CR1\*31\*\*\*\*
- N'utilisez pas la batterie lorsque celle-ci est endommagée ; remplacez-la
- Ne démontez pas la batterie
- N'exposez jamais l'outil/la batterie à la pluie
- Température ambiante autorisée (outil/chargeur/batterie):
  - lors de la recharge 4...40°C
  - pendant le fonctionnement -20...+50°C
  - pour le stockage -20...+50°C

## EXPLICATION DES SYMBOLES SUR L'OUTIL/LA BATTERIE

- ③ Veuillez lire le mode d'emploi avant d'utiliser l'outil
- ④ Les batteries peuvent exploser lorsqu'elles sont jetées au feu, ne jetez donc jamais la batterie au feu pour quelque raison que ce soit
- ⑤ Rangez l'outil/le chargeur/la batterie dans des endroits où la température n'excède pas 50 °C
- ⑥ Ne jetez pas les outils électriques et les batteries avec les ordures ménagères

## UTILISATION

- Recharge de la batterie
  - ! lisez les avertissements de sécurité et les instructions fournies avec le chargeur
- Retirer/installer la batterie ②
- Montage de la lame de scie ②
  - ! retirez la batterie de l'outil
    - retirez la clé six pans A de son logement B
    - appuyez sur le bouton de blocage de l'arbre C et maintenez-le tandis que vous enlevez le boulon de la lame D en faisant tourner la clé six pans A DANS LE SENS CONTRAIRE DES AIGUILLES D'UNE MONTRE (= dans le même sens que la flèche indiquée sur la lame de scie)
  - ! appuyez sur le bouton de blocage de l'arbre C uniquement lorsque l'outil est complètement arrêté
    - relâchez le bouton de blocage de l'arbre C

- enlevez la bride E
- ! assurez-vous que les surfaces de serrage H des brides soient parfaitement propres et en face de la lame
- ouvrez le carter inférieur F avec le levier G et maintenez-le tandis que vous montez la lame avec les dents de scie et la flèche figurant sur la lame pointées dans la même direction que la flèche située sur le carter inférieur
- relâchez le carter inférieur F
- bride de montage E
- appuyez sur le bouton de blocage de l'arbre C et maintenez-le tandis que vous serrez le boulon de la lame avec la clé six pans d'un 1/8ème de tour (permettant le débrayage de la lame en cas de trop forte résistance du matériau pour réduire la surcharge du moteur et l'effet de recul)
- relâchez le bouton de blocage de l'arbre C
- Réglage de la profondeur de coupe (0-66 mm) ⑦
  - pour une coupe de qualité optimale, la lame de scie ne doit pas dépasser de plus de 3 mm en-dessous de la pièce
  - desserrez le bouton J
  - levez/abaissez la semelle K jusqu'à la profondeur de coupe souhaitée grâce à l'indicateur L de l'échelle graduée
  - serrez le bouton J
- Témoin de niveau de charge de la batterie ⑧
  - appuyez sur le bouton témoin de niveau de charge de la batterie AC pour afficher le niveau de charge actuel ⑧a
  - ! si le niveau le plus bas du témoin de batterie se met à clignoter après appui sur le bouton AC ⑧b, la batterie est vide
  - ! si 2 niveaux du témoin de batterie se mettent à clignoter après appui sur le bouton AC ⑧c, la batterie n'est pas dans la plage de température de fonctionnement autorisée
- Éclairage LED ⑫ V
  - L'éclairage LED s'allume automatiquement lorsque vous activez l'interrupteur marche/arrêt
  - ! lorsque le voyant LED commence à clignoter, la protection de la batterie est activée (voir ci-dessous)
- Protection de la batterie
  - L'outil s'éteint soudainement ou ne peut pas être mis en marche lorsque
    - la charge est trop élevée --> retirez la charge et redémarrez l'outil
    - la température de la batterie est hors de la plage de températures de fonctionnement autorisée de -20 à +50 °C --> 2 niveaux du témoin de niveau de charge de la batterie se mettent à clignoter lorsque vous appuyez sur le bouton AC ⑧c ; attendez que la batterie soit revenue dans la plage de températures de fonctionnement autorisée
    - la batterie est presque déchargée (pour empêcher qu'elle ne se décharge complètement)
      - > un niveau de batterie faible ou un niveau de batterie faible clignotant ⑧b est indiqué par l'indicateur de niveau de batterie en appuyant sur le bouton AC ; chargez la batterie
  - ! ne continuez pas à appuyer sur l'interrupteur

**marche/arrêt après l'arrêt automatique de l'outil ; cela pourrait endommager la batterie**

- Réglage de l'angle de coupe (0-56°) ⑨
  - desserrez le levier M
  - inclinez l'outil jusqu'à ce que l'angle de coupe souhaité soit atteint grâce à l'indicateur N de l'échelle graduée
  - la butée de biseau à 45° P offre un réglage rapide de l'angle de biseau à 45°
  - pour régler un angle de biseau supérieur à 45°, faites tourner la butée de biseau à 45° P pour la sortir de l'indicateur N
  - serrez le levier M
- ! **lors d'une coupe d'angle, la profondeur de coupe ne correspond pas à la valeur donnée par l'échelle de la profondeur de coupe**
- Indicateur de ligne de coupe Q ⑩
  - sert à guider l'outil le long de la ligne de coupe souhaitée marquée sur la pièce
  - pour une coupe droite à 0° ou une coupe en biseau à 45°, utilisez la ligne correspondante
- ! **la partie la plus large de la semelle doit rester sur la partie la plus large de la pièce**
- ! **seule l'épaisseur des dents de la lame détermine la largeur de coupe**
- ! **effectuez toujours un essai préalable afin de vérifier la ligne de coupe**
- Aspiration de poussières ⑪
  - Fixez l'adaptateur pour aspirateur R à la scie avec la vis cruciforme
  - Pour utiliser un aspirateur
    - raccordez le tuyau de l'aspirateur à l'adaptateur de l'aspirateur R
- ! **ne laissez jamais le tuyau de l'aspirateur gêner le carter inférieur ou l'opération de coupe**
- Sac à poussières
  - fixez le sac à poussières AD
- Utilisation de l'outil
  - montez la batterie
  - tenez toujours la poignée S fermement d'une main et la poignée T fermement de l'autre main
  - placez l'outil avec l'extrémité avant de la semelle à plat sur la pièce
- ! **assurez-vous que les dents de la lame n'entrent pas dans la pièce**
- mettez l'outil en marche en appuyant d'abord sur l'interrupteur de sécurité W, puis en appuyant sur la gâchette Y
- ! **l'outil devra tourner à la vitesse maximum avant que la lame n'entre dans la pièce**
- le carter inférieur F s'ouvre automatiquement quand la lame pénètre dans la pièce (ouvrez le carter inférieur manuellement en utilisant le levier G uniquement pour des coupes spéciales telles que des coupes plongeantes)
- ! **ne forcez pas l'outil (appliquez une pression légère et constante afin d'éviter la surchauffe des pointes de lame)**
- une fois la coupe terminée, arrêtez l'outil en relâchant la gâchette Y
- ! **Avant de retirer l'outil de la pièce à travailler, assurez-vous que la lame se soit bien stabilisée**

- Orientez toujours le bon côté de la pièce à usiner vers le bas pour éviter le risque d'éclatement
- Utilisez uniquement des lames de scie affûtées du bon type ⑬
  - la qualité de la coupe s'améliore par le nombre de dents
  - les lames avec denture à mise de carbure coupent 30 fois plus longtemps que des lames ordinaires
- Coupes transversales/coupes longitudinales ⑭
  - Les coupes transversales ou longitudinales sont faciles à réaliser avec une butée parallèle Z.
  - alignez la ligne de guidage avec l'indicateur de ligne de coupe 0° Q sur le pied
  - insérez un guide parallèle Z dans les fentes de chaque côté du pied à la largeur désirée et fixez-le avec le bouton AA
- ! **assurez-vous que le guide parallèle n'entrave pas la liberté de mouvement du carter de protection inférieur et de la lame de scie**
- Coupe plongeante ⑮
  - réglez la profondeur de coupe souhaitée
  - inclinez l'outil vers l'avant avec l'indicateur de ligne de coupe Q aligné avec la ligne de coupe souhaitée marquée sur la pièce
  - ouvrez le carter inférieur F avec le levier G
  - juste avant que la lame ne pénètre dans la pièce, mettez l'outil en marche et abaissez progressivement l'extrémité arrière de l'outil en utilisant l'extrémité avant de la semelle comme point d'articulation
  - déplacez progressivement l'outil vers le bas et vers l'avant
  - dès que la lame pénètre dans le matériau, relâchez le levier G
- ! **ne jamais tirez l'outil vers l'arrière**
- Coupe de larges panneaux ⑯
  - le panneau de support doit être près de la coupe soit sur le sol, une table ou un établi
- ! **réglez la profondeur de coupe pour éviter de couper le support de travail**
- dans le cas où le guide parallèle ne permettrait pas de régler la largeur de coupe, fixez une règle à la pièce à travailler pour servir de guide et utilisez le côté gauche de la semelle contre ce guide ⑰
- Couper avec un rail de guidage ⑱ \*NON FOURNI EN STANDARD
  - L'utilisation d'un rail de guidage offre des coupes précises, droites et exactes, avec des biseaux de 0° ou 45°.
  - Avant d'effectuer la première coupe avec le rail de guidage, la lèvre en caoutchouc doit être adaptée à la scie circulaire utilisée.
  - pour une coupe droite à 0°, alignez le côté biseauté à 0° du rail AE (ou le côté biseauté à 45° lors d'une coupe en biseau à 45°) avec la ligne de coupe souhaitée marquée sur la pièce
  - fixez fermement le rail de guidage AE sur la pièce à usiner à l'aide des pinces pour rail de guidage AF ⑲ \*NON FOURNI EN STANDARD
  - faites glisser la scie sur le rail AE et faites tourner les boutons de réglage de la fente de guidage U dans le sens des aiguilles d'une montre pour minimiser l'écart entre la fente du pied et la nervure surélevée sur le rail AE, et assurez-vous que la scie peut glisser librement

## CONSEILS D'APPLICATION

- sur le rail sans basculer sur le côté.
- lors du réglage de la profondeur de coupe, n'oubliez pas de tenir compte de l'épaisseur du rail de guidage AE
- guidez la scie uniformément avec une vitesse d'avance lente jusqu'à l'extrémité du rail
- Pour plus d'informations, rendez-vous sur [www.skil.com](http://www.skil.com)

## ENTRETIEN / RÉPARATION

- Cet outil n'est pas conçu pour un usage professionnel.
- Gardez toujours l'outil propre !  
**! retirez la batterie de l'outil avant de procéder au nettoyage**
- Gardez toujours la zone autour du carter inférieur F ② propre (enlevez la poussière et les copeaux en les nettoyant à l'air comprimé ou avec une brosse)
- Nettoyez la lame de scie immédiatement après utilisation (en particulier la résine et la colle)
- Si l'outil devait tomber en panne malgré le soin apporté aux procédures de fabrication et d'essai, la réparation doit être effectuée par le service après-vente pour outils électriques SKIL  
- retournez l'outil **non démonté** avec votre preuve d'achat auprès du revendeur ou du service après-vente SKIL le plus proche (les adresses ainsi que la vue éclatée de l'outil figurent sur [www.skil.com](http://www.skil.com))
- Veuillez noter que tout dégât causé par une surcharge ou une mauvaise utilisation de l'outil ne sera pas couvert par la garantie (pour connaître les conditions de garantie SKIL, rendez-vous sur le site [www.skil.com](http://www.skil.com) ou adressez-vous à votre revendeur)

## ENVIRONNEMENT

Uniquement pour les pays de l'UE

- Ne jetez pas les outils électriques, les accessoires et l'emballage dans les ordures ménagères  
- conformément à la directive européenne 2012/19/UE relative aux déchets d'équipements électriques et électroniques, et à sa transposition dans la législation nationale, les outils électriques usagés doivent être collectés séparément et faire l'objet d'un recyclage respectueux de l'environnement  
- le symbole ⑥ vous le rappellera au moment de la mise au rebut de l'outil  
**! avant d'envoyer les batteries au recyclage, pour éviter un éventuel court-circuit, il convient de revêtir les bornes d'un épais ruban adhésif isolant**



Points de collecte sur [www.quefairedemesdechets.fr](http://www.quefairedemesdechets.fr)  
Privilégiez la réparation ou le don de votre appareil !

## BRUIT / VIBRATION

- Mesuré selon EN 62841, le niveau de pression acoustique de cet outil est de 91 dB(A) et le niveau de puissance acoustique est de 102 dB(A) (incertitude K = 3 dB) et la vibration \* (somme vectorielle triaxiale ; incertitude K = 1,5 m/s<sup>2</sup>) \* coupe du bois < 2,5 m/s<sup>2</sup>
- Le niveau de vibrations émises a été mesuré

conformément à l'essai standardisé de la norme EN 62841 ; il peut être utilisé pour comparer plusieurs outils et pour réaliser une évaluation préliminaire de l'exposition aux vibrations lors de l'utilisation de l'outil pour les applications mentionnées

- l'utilisation de l'outil dans d'autres applications, ou avec des accessoires différents ou mal entretenus, peut considérablement **augmenter** le niveau d'exposition
- la mise hors tension de l'outil et sa non-utilisation pendant qu'il est allumé peuvent considérablement **réduire** le niveau d'exposition

**! protégez-vous contre les effets des vibrations par un entretien correct de l'outil et de ses accessoires, en gardant vos mains chaudes et en organisant vos horaires de travail**

D

## Bürstenlose Akku-Kreissäge

3571

### EINLEITUNG

- Dieses Werkzeug ist bestimmt zum Sägen von Längs- und Querschnitte in Holz mit geradem Schnittverlauf und Gehrungswinkel bis 56°
- Dieses Werkzeug eignet sich nicht für den professionellen Einsatz
- Bitte diese Bedienungsanleitung sorgfältig lesen und aufbewahren ③

### TECHNISCHE DATEN ①

### WERKZEUGKOMPONENTEN ②

- A Sechskantschlüssel
- B Halterung für Sechskantschlüssel
- C Spindelarretierschalter
- D Sägeblattschraube
- E Flansch
- F Unterer Sägeblattschutz
- G Hebel zur Öffnung des unteren Blattschutzes
- H Spannfläche
- J Sägetiefe-Einstellknopf
- K Fußplatte
- L Schnittiefenanzeige
- M Hebel zum Einstellen des Schnittwinkels
- N Schnittwinkelanzeige
- P 45° Winkelanschlag
- Q Schnittführungsanzeige
- R Staubsaugeranschluss
- S Hinterer Griff
- T Vorderer Griff
- U Führungsschieneinsteller
- V LED-Lampe
- W Sicherheitsschalter
- X Führungsschiene
- Y Auslöseschalter
- Z Parallelanschlag
- AA Knauf zum Einstellen des Parallelanschlags
- AB Haken
- AC Ladestandsanzeige
- AD Staubbeutel\*



AE Linearanschlag\*

AF Schraubzwinde für Linearanschlag

\* STANDARDMÄSSIG NICHT MITGELIEFERT

## SICHERHEIT

### ALLGEMEINE SICHERHEITSHINWEISE ZU ELEKTROWERKZEUGEN

**⚠️ WARNUNG** Beachten Sie alle Warnhinweise, Anleitungen, Abbildungen und technischen Daten, die diesem Elektrowerkzeug beigefügt sind. Die Nichtbeachtung der unten aufgeführten Anweisungen kann zu Stromschlägen, Bränden und/oder schweren Verletzungen führen.

**Bewahren Sie alle Warn- und Bedienhinweise für Nachschlagezwecke auf.**

Unter den Begriff „Elektrowerkzeug“ in den Warnhinweisen fallen netzbetriebene (d. h. schnurgebundene) oder akkubetriebene (d. h. schnurlose) Elektrowerkzeuge.

#### 1) SICHERHEIT IM ARBEITSBEREICH

- a) **Halten Sie den Arbeitsbereich stets sauber und gut beleuchtet.** Unaufgeräumte oder dunkle Bereiche können Unfälle provozieren.
- b) **Verwenden Sie Elektrowerkzeuge nicht in explosionsgefährdeten Umgebungen wie z. B. in Gegenwart von entzündlichen Flüssigkeiten, Gasen oder Staub.** Elektrowerkzeuge erzeugen Funken, die Staub oder Dämpfe entzünden können.
- c) **Halten Sie Schaulustige und Kinder fern, während Sie das Elektrowerkzeug einsetzen.** Ablenkungen können dazu führen, dass Sie die Kontrolle verlieren.

#### 2) ELEKTRISCHE SICHERHEIT

- a) **Die Netzstecker von Elektrowerkzeugen müssen zur Steckdose passen. Der Netzstecker darf unter keinen Umständen modifiziert werden. Verwenden Sie keine Adapterstecker an (geerdeten) Elektrowerkzeugen.** Nicht modifizierte Stecker und passende Steckdosen reduzieren die Stromschlaggefahr.
- b) **Vermeiden Sie den Körperkontakt zu geerdeten Flächen wie zum Beispiel Rohrleitungen, Heizkörpern, Herden und Kühlschränken.** Es besteht erhöhte Stromschlaggefahr, wenn Ihr Körper geerdet ist.
- c) **Schützen Sie Elektrowerkzeuge vor Regen oder feuchten Bedingungen.** Wenn Wasser in das Elektrowerkzeug eindringt, besteht erhöhte Stromschlaggefahr.
- d) **Das Kabel darf nicht zweckentfremdet werden. Das Netzkabel darf nicht zum Tragen, Ziehen oder Herausziehen des Elektrowerkzeugs aus der Steckdose verwendet werden. Das Netzkabel muss vor Hitze, Öl, scharfen Kanten oder beweglichen Teilen ferngehalten werden.** Durch beschädigte oder verknotete Kabel besteht erhöhte Stromschlaggefahr.
- e) **Wenn Sie ein Elektrowerkzeug im Freien benutzen, verwenden Sie ein Verlängerungskabel, das für den Gebrauch im Freien geeignet ist.** Die Stromschlaggefahr verringert sich bei Gebrauch eines Netzkabels, das für den Einsatz im Freien geeignet ist.
- f) **Wenn der Gebrauch eines Elektrowerkzeugs an**

**einem feuchten Ort unvermeidbar ist, benutzen Sie eine durch eine Fehlerstromschutzeinrichtung (FI-Schalter) geschützte Stromversorgung.** Die Verwendung einer Fehlerstromschutzeinrichtung reduziert die Stromschlaggefahr.

#### 3) PERSONENSICHERHEIT

- a) **Seien Sie wachsam, geben Sie darauf Acht, was Sie tun, und benutzen Sie Ihren gesunden Menschenverstand, wenn Sie ein Elektrowerkzeug verwenden. Betreiben Sie das Gerät nicht, wenn Sie müde oder unter dem Einfluss von Drogen, Alkohol oder Medikamenten stehen.** Ein Moment der Unachtsamkeit kann beim Gebrauch eines Elektrowerkzeugs zu ernsthaften Verletzungen führen.
  - b) **Tragen Sie eine persönliche Schutzausrüstung. Tragen Sie immer einen Augenschutz.** Durch eine für die jeweiligen Bedingungen geeignete Schutzausrüstung wie etwa eine Staubschutzmaske, rutschfeste Schuhe, Helm oder Gehörschutz lässt sich die Verletzungsgefahr verringern.
  - c) **Ungewollten Anlauf verhindern. Vor dem Anschließen an eine Steckdose und/oder einen Akku und vor dem Aufnehmen oder Transportieren des Geräts immer kontrollieren, ob der Hauptschalter in ausgeschalteter Position ist.** Unfälle sind vorprogrammiert, wenn Sie Elektrowerkzeuge mit einem Finger am Hauptschalter tragen oder Elektrowerkzeuge mit eingeschaltetem Hauptschalter an eine Steckdose anschließen.
  - d) **Entfernen Sie alle Einstellschlüssel oder Schraubenschlüssel, bevor Sie das Elektrowerkzeug einschalten.** Ein Schraubenschlüssel oder ein Schlüssel, der noch an einem beweglichen Teil des Elektrowerkzeuges befestigt ist, kann Verletzungen hervorrufen.
  - e) **Nicht überstrecken. Achten Sie stets auf einen festen Stand und halten Sie das Gleichgewicht.** Dies ermöglicht in unerwarteten Situationen eine bessere Kontrolle über das Elektrowerkzeug.
  - f) **Tragen Sie angemessene Kleidung. Tragen Sie keine weite Kleidung oder Schmuck. Halten Sie Ihr Haar und Ihre Kleidung von beweglichen Teilen fern.** Weite Kleidung, Schmuck oder langes Haar können sich in den beweglichen Teilen verfangen.
  - g) **Wenn Komponenten zum Anschluss an eine Absauganlage und an Auffangvorrichtungen mitgeliefert werden, achten Sie darauf, dass diese ordnungsgemäß befestigt und benutzt werden.** Die Verwendung einer Staubauffangvorrichtung kann Gefahren durch Staub reduzieren.
  - h) **Lassen Sie sich nicht durch die aufgrund häufiger Benutzung entstandene Vertrautheit mit Werkzeugen dazu verleiten, unachtsam zu werden und die für Werkzeuge geltenden Sicherheitsgrundsätze zu ignorieren.** Eine fahrlässige Handlung kann bereits im Bruchteil einer Sekunde zu schweren Verletzungen führen.
- #### 4) GEBRAUCH UND PFLEGE DES ELEKTROWERKZEUGS
- a) **Üben Sie keinen übermäßigen Druck auf das Elektrowerkzeug aus. Verwenden Sie ein geeignetes Elektrowerkzeug für die jeweiligen Arbeiten.** Durch das passende Elektrowerkzeug lassen sich die Arbeiten

besser und sicherer in dem jeweils vorgesehenen Tempo erledigen.


- b) **Verwenden Sie das Elektrowerkzeug nicht, wenn es sich mit dem Schalter weder ein- noch ausschalten lässt.** Ein Elektrowerkzeug, das sich über den Schalter nicht betätigen lässt, ist gefährlich und muss repariert werden.
  - c) **Ziehen Sie den Netzstecker aus der Steckdose bzw. nehmen Sie den Akku vom Elektrowerkzeug ab, sofern dieser entfernbar ist, bevor Sie Einstellungen vornehmen, das Zubehör wechseln oder Elektrowerkzeuge verstauen.** Solche vorsorglichen Sicherheitsmaßnahmen verringern die Gefahr, dass sich das Elektrowerkzeug unbeabsichtigt einschaltet.
  - d) **Bewahren Sie nicht benutzte Elektrowerkzeuge außerhalb der Reichweite von Kindern auf und verbieten Sie Personen die Gerätebenutzung, die das Elektrowerkzeug oder diese Anweisungen nicht kennen.** In den Händen nicht eingewiesener Benutzer stellen Elektrowerkzeuge eine große Gefahr dar.
  - e) **Warten Sie Elektrowerkzeuge und Zubehörteile.** Achten Sie auf falsch ausgerichtete oder fest sitzende bewegliche Teile, Bruchstellen und sonstige Umstände, die die Funktion des Elektrowerkzeuges beeinträchtigen können. Lassen Sie beschädigte Elektrowerkzeuge reparieren, bevor Sie sie wieder einsetzen. Viele Unfälle entstehen durch schlecht gewartete Elektrowerkzeuge.
  - f) **Halten Sie Schneidwerkzeuge scharf und sauber.** Sachgemäß gewartete Schneidwerkzeuge mit scharfen Schneiden neigen weniger zum Festfahren und sind leichter zu kontrollieren.
  - g) **Benutzen Sie das Elektrowerkzeug, Zubehör, Werkzeugeinsätze usw. gemäß diesen Anweisungen und berücksichtigen Sie dabei die Arbeitsbedingungen und die auszuführenden Arbeiten.** Die Verwendung des Elektrowerkzeugs für Aufgaben, die von seinem bestimmungsgemäßen Zweck abweichen, können zu gefährlichen Situationen führen.
  - h) **Halten Sie die Griffe und Griffflächen trocken, sauber und frei von Öl und Fett.** Rutschige Griffe und Griffflächen beeinträchtigen die sichere Handhabung des Werkzeugs und führen in unerwarteten Situationen zum Verlust der Kontrolle über das Werkzeug.
- 5) BENUTZUNG UND PFLEGE VON AKKUGERÄTEN**
- a) **Laden Sie den Akku nur mit dem vom Hersteller vorgegebenen Ladegerät auf.** Ein Ladegerät, das für einen bestimmten Akkutyp geeignet ist, kann bei der Benutzung eines anderen Akkus zu einer Brandgefahr werden.
  - b) **Benutzen Sie für die Elektrowerkzeuge nur die jeweils zugehörigen Akkus.** Bei Verwendung anderer Akkus besteht Verletzungs- und Brandgefahr.
  - c) **Wenn der Akku nicht benutzt wird, halten Sie ihn von anderen metallischen Gegenständen fern, wie etwa Büroklammern, Münzen, Schlüsseln, Nägeln, Schrauben oder anderen kleinen Metallgegenständen, die eine Verbindung zwischen den Polen herstellen können.** Das Kurzschließen der Pole kann Verbrennungen oder Brände verursachen.
  - d) **Bei unsachgemäßer Anwendung kann Flüssigkeit aus dem Akku austreten; Kontakt vermeiden.** Falls Sie versehentlich mit Akkusäure in Berührung

gekommen sind, spülen Sie mit Wasser. Falls Akkusäure in die Augen geraten ist, suchen Sie zudem einen Arzt auf. Aus dem Akku austretende Flüssigkeit kann Reizungen oder Verätzungen verursachen.

- e) **Benutzen Sie keinen Akku oder ein Werkzeug, das beschädigt oder umgebaut wurde.** Beschädigte oder umgebaute Akkus können sich unvorhergesehen verhalten, wodurch möglicherweise ein Brand, eine Explosion oder Verletzungen verursacht werden.
  - f) **Akkus oder Werkzeuge vor Feuer oder extremen Temperaturen schützen.** Feuer oder Temperaturen über 130 °C können eine Explosion verursachen.
  - g) **Befolgen Sie alle Ladeanweisungen und laden Sie den Akku oder das Werkzeug nicht außerhalb des Temperaturbereichs auf, der in der Anleitung angegeben ist.** Das unsachgemäße Aufladen oder Laden außerhalb des angegebenen Temperaturbereichs kann den Akku beschädigen und die Brandgefahr erhöhen.
- 6) REPARATUREN**
- a) **Lassen Sie Ihr Elektrowerkzeug von einer qualifizierten Fachkraft und nur unter Verwendung baugleicher Ersatzteile reparieren.** Nur so kann für die Sicherheit des Elektrowerkzeugs gesorgt werden.
  - b) **Reparieren Sie unter keinen Umständen beschädigte Akkus.** Akkus sollten ausschließlich vom Hersteller selbst oder einer autorisierten Reparaturwerkstatt repariert werden.

## SICHERHEITSHINWEISE FÜR AKKU-KREISSÄGEN

### 1) HINWEISE ZUM SÄGEVORGANG

- a)  **GEFAHR: Halten Sie die Hände aus dem Sägebereich und vom Sägegriff fern. Lassen Sie die andere Hand am Zusatzgriff oder am Motorgehäuse.** Wenn beide Hände zum Festhalten der Säge benutzt werden, können sie vom Sägeblatt nicht erfasst werden.
- b) **Greifen Sie nicht unter das Werkstück.** Unterhalb des Werkstücks bietet Ihnen der Blattschutz keinerlei Schutz.
- c) **Passen Sie die Schnitttiefe an die Dicke des Werkstücks an.** Unterhalb des Werkstücks sollte weniger als eine ganze Zahnhöhe des Sägeblatts zu sehen sein.
- d) **Das zu sägende Werkstück darf niemals in den Händen gehalten oder über die Beine gelegt werden. Spannen Sie das Werkstück auf einer stabilen Platte ein.** Eine gute Abstützung des Werkstücks ist wichtig, um die Gefährdung des eigenen Körpers möglichst gering zu halten und ein Verkanten des Sägeblatts oder einen Verlust der Werkzeugkontrolle zu vermeiden.
- e) **Fassen Sie das Elektrowerkzeug nur an den isolierten Griffflächen an, wenn Sie Arbeiten ausführen, bei denen das Einsatzwerkzeug verborgene Stromleitungen oder das eigene Netzkabel treffen kann.** Der Kontakt mit einer spannungsführenden Leitung setzt auch Metallteile des Elektrowerkzeuges unter Spannung und führt zu einem elektrischen Schlag.
- f) **Arbeiten Sie beim Längssägen immer mit einem Parallelanschlag oder einem Lineal.** Der Schnitt wird dadurch präziser und das Sägeblatt kann nicht so schnell

verkanten.

- g) **Verwenden Sie immer Sägeblätter mit der richtigen Bohrungsgröße und -form (rautenförmig oder rund).** Passt das Sägeblatt nicht zur Montageaufnahme, bewegt sich die Säge außermittig, sodass das Werkzeug außer Kontrolle gerät.
- h) **Verwenden Sie niemals beschädigte oder falsche Unterlegscheiben oder Schrauben für die Sägeblätter.** Die Sägeblatt-Scheiben und Schraube sind speziell für diese Säge vorgesehen und sorgen für eine optimale Leistung und Betriebssicherheit.

## 2) URSACHEN FÜR RÜCKSTÖSSE UND DIESBEZÜGLICHE WARNHINWEISE

- Ein Rückstoß ist eine plötzliche Reaktion auf ein eingeklemmtes, festsitzendes oder verkantetes Sägeblatt. Die Säge kann dadurch außer Kontrolle geraten, nach oben aus dem Werkstück wandern und in Richtung des Bedieners schnellen.
  - Wird das Sägeblatt von dem sich nach unten verjüngenden Einschnitt eingeklemmt oder erfasst, stoppt das Sägeblatt und die Maschine schnell mit Motorkraft rückwärts in Richtung des Bedieners.
  - Wird das Sägeblatt im Schnitt verbogen oder verdreht, können die Zähne an der Hinterkante des Sägeblatts in der Oberfläche des Holzstücks verkanten, sodass das Sägeblatt aus der Fuge herauswandert und in Bedienerichtung herauspringt.
  - Ein Rückstoß ist die Folge eines unsachgemäßen Gebrauchs des Elektrowerkzeugs und/oder falscher Betriebs- oder Einsatzbedingungen. Rückstöße lassen sich durch die unten genannten Vorsichtsmaßnahmen vermeiden.
- a) **Halten Sie die Säge mit beiden Sägen gut fest und stützen Sie die Arme so ab, dass Sie die auftretenden Rückstoßkräfte abfangen können. Halten Sie sich mit dem Körper seitlich vom Sägeblatt, jedoch nicht in einer Linie zum Sägeblatt auf.** Durch die Rückstoßenergie kann ein Zurückspringen der Säge verursacht werden, aber die Rückstoßkräfte lassen sich durch geeignete Vorsichtsmaßnahmen unter Kontrolle halten.
- b) **Verkantet das Sägeblatt oder wird der Schnitt aus bestimmten Gründen unterbrochen, lassen Sie den Ein-/Ausschalter los und halten Sie die Säge bis zum Stillstand im Werkstück fest. Versuchen Sie nie, die Säge bei sich bewegendem Sägeblatt aus dem Werkstück oder nach hinten zu ziehen. Andernfalls besteht die Gefahr eines Rückstoßes.** Forschen Sie nach der Ursache für die Blockade und stellen Sie den Mangel ab. Keine Nägel oder Schrauben sägen.
- c) **Wenn Sie die im Werkstück befindliche Säge wieder starten, zentrieren Sie das Sägeblatt in der Fuge und achten Sie darauf, dass sich die Zähne des Sägeblatts nicht in Materialeingriff befinden.** Sitzt das Sägeblatt fest, kann es nach oben wandern oder beim Starten der Säge vom Werkstück zurückgestoßen werden.
- d) **Stützen Sie große Bretter ab, um die Gefahr eines Einklemmens sowie Rückstöße möglichst gering zu halten.** Große Bretter neigen dazu, aufgrund ihres Eigengewichts nachzugeben. Die Stützen müssen auf beiden Seiten des Bretts in der Nähe der Schnittführung sowie an den Bretterkanten untergestellt werden.
- e) **Keine stumpfen oder schadhafte Sägeblätter**

**verwenden.** Unscharfe oder falsch eingesetzte Sägeblätter verursachen schmale Fugen, die eine übermäßige Reibung erzeugen, das Sägeblatt festsetzen und Rückstöße auslösen.

- f) **Die Arretierhebel für die Sägeblatt-Tiefenverstellung und für den Gehrungswinkel müssen vor dem Sägen fest und sicher betätigt sein.** Verändert sich die Sägeblatteinstellung beim Sägen, kann dies zum Festsetzen des Sägeblatts und zu Rückstößen führen.
- g) **Seien Sie besonders vorsichtig, wenn Sie in bestehenden Wänden oder anderen nicht einsehbaren Bereichen sägen.** Das hervortretende Sägeblatt kann Gegenstände durchtrennen, die Rückstöße verursachen können.
- ### 3) FUNKTION DES UNTEREN BLATTSCHUTZES
- a) **Prüfen Sie vor jedem Einsatz, ob der untere Blattschutz richtig geschlossen ist. Setzen Sie die Säge nicht in Gang, wenn sich der untere Blattschutz nicht unbehindert bewegen lässt und sich nicht unmittelbar schließt. Der untere Blattschutz darf nie in offener Stellung fixiert oder festgebunden werden.** Wenn die Säge versehentlich auf den Boden fällt, kann sich der untere Blattschutz verbiegen. Heben Sie die untere Schutzhaube mit dem Rückziehreff hoch und stellen Sie sicher, dass sich ungehindert bewegt und weder das Sägeblatt noch ein anderes Teil berührt, ganz gleich bei welchem Winkel und bei welcher Schnitttiefe.
- b) **Überprüfen Sie die Feder am unteren Blattschutz auf Funktion. Wenn der Blattschutz und die Feder nicht korrekt funktionieren, müssen beide vor dem Sägen instandgesetzt werden.** Der untere Blattschutz wird durch beschädigte Teile, anhaftende Ablagerungen oder Schmutzansammlungen unter Umständen schwergängig.
- c) **Der untere Blattschutz darf nur bei bestimmten Schnitten wie z. B. „Tauschnitten“ und „Schifterschnitten“ manuell zurückgezogen werden. Heben Sie den unteren Blattschutz am Griff an. Sobald das Sägeblatt in das Material eingreift, muss der untere Blattschutz losgelassen werden.** Bei allen übrigen Sägearbeiten sollte der untere Blattschutz automatisch funktionieren.
- d) **Achten Sie stets darauf, dass die untere Schutzhaube das Sägeblatt verdeckt, bevor Sie die Säge auf der Werkbank oder auf den Boden legen.** Durch ein auslaufendes ungeschütztes Sägeblatt kann die Säge rückwärts wandern und alles durchtrennen, was ihr im Wege liegt. Denken Sie an die Nachlaufzeit zwischen dem Loslassen des Betriebsschalters und dem vollständigen Stillstand des Sägeblatts.

## ZUSÄTZLICHE SICHERHEITSHINWEISE

### ALLGEMEINES

- Das Werkzeug ist nur für Personen ab 16 Jahren geeignet
- Dieses Werkzeug ist für Nassschnitte nicht geeignet
- **Bearbeiten Sie kein asbesthaltiges Material** (Asbest gilt als krebserregend)
- Der Staub von Materialien wie bleihaltiger Farbe, bestimmten Holzarten, Mineralien und Metallen kann gesundheitsschädlich sein (das Einatmen oder der



Kontakt mit diesen Stäuben kann allergische Reaktionen und/oder Atemwegserkrankungen beim Benutzer oder bei Passanten auslösen); **tragen Sie eine Staubmaske und arbeiten Sie mit einer Staubabsaugung, sofern diese anschließbar ist**

- Bestimmte Stäube sind als krebserregend eingestuft (beispielsweise Eichen- und Buchenholzstaub), insbesondere in Verbindung mit Zusätzen für die Holzvorbehandlung. **Tragen Sie eine Staubmaske und arbeiten Sie mit einer Staubabsaugung, sofern anschließbar**
- Beachten Sie die für Ihr verwendetes Verbrauchsmaterial gültigen nationalen Staubschutzvorgaben
- Verwenden Sie diese Säge nicht in Kombination mit einem Sägefisch
- Bevor Einstellungen vorgenommen oder Zubehörteile ausgetauscht werden, Akku aus dem Werkzeug nehmen

#### ZUBEHÖR

- SKIL kann nur dann die einwandfreie Funktion des Werkzeuges zusichern, wenn Original-Zubehör verwendet wird
- Nur Sägeblätter benutzen, die mit den in dieser Betriebsanleitung genannten Kennwerten übereinstimmen und die gemäß EN 847-1 getestet und gekennzeichnet sind.
- Nur Zubehör verwenden, dessen zulässige Drehzahl mindestens so hoch ist wie die höchste Leerlaufdrehzahl des Werkzeuges
- Nur Sägeblätter mit einem Mindestdurchmesser von 184 mm, einem Maximaldurchmesser von 184 mm und einem Spindelochdurchmesser von 16 mm verwenden
- Nie Sägeblätter aus Schnellarbeitsstahl (HSS) verwenden
- Niemals Schleif-/Trennscheiben an diesem Werkzeug verwenden

#### VOR DEM GEBRAUCH

- Beschädigungen durch Schrauben, Nägel und ähnliches an Ihrem Werkstück vermeiden; diese vor Arbeitsbeginn entfernen
- Bevor Sie mit dem Schnitt beginnen, alle Hindernisse von der Ober- wie auch von der Unterfläche entfernen, die auf der Schnittstrecke liegen
- **Spannen Sie das Werkstück ein** (Wird das Werkstück von einer Spannvorrichtung gehalten oder in einen Schraubstock eingespannt, ist das Arbeiten sicherer als beim Festhalten mit der Hand)
- **Verwenden Sie geeignete Suchgeräte, um unter Putz verlegte Leitungen aufzuspüren. Wenden Sie sich alternativ an einen Elektrofachbetrieb.**  
Der Kontakt mit Elektroleitungen kann Brände und Stromschläge hervorrufen. Bei Beschädigung einer Gasleitung besteht Explosionsgefahr. Durch das Beschädigen einer Wasserleitung besteht die Gefahr einer Sachbeschädigung oder Stromschlaggefahr.

#### WÄHREND DES GEBRAUCHS

- Der Geräuschpegel beim Arbeiten kann 85 dB(A) überschreiten; Gehörschutz tragen
- Das Werkzeug niemals ohne die Original-Schutzvorrichtungen benutzen
- Nicht versuchen, sehr kleine Werkstücke zu sägen
- Mit dem Werkzeug nicht über Kopf arbeiten
- Wenn das Werkzeug festsetzt oder eine elektrische oder mechanische Fehlfunktion auftritt, das Werkzeug sofort ausschalten und den Akku entfernen

#### NACH DEM GEBRAUCH

- Vor dem Ablegen des Werkzeuges den Motor ausschalten

und sicherstellen, dass alle bewegenden Teile bis zum Stillstand ausgelaufen sind

- Sägeblätter nach dem Ausschalten des Werkzeuges nicht durch seitliches Gegendrücken bremsen

#### AKKU

- **Der mitgelieferte Akku ist nur teilgeladen** (um die volle Kapazität des Akkus nutzen zu können, laden Sie den Akku im Ladegerät vollständig auf, bevor Sie das Elektrowerkzeug zum ersten Mal verwenden)
- Nur die mit diesem Werkzeug mitgelieferten Akkus und Ladegeräte verwenden
  - SKIL-Batterie: BR1\*31\*\*\*\*
  - SKIL-Ladegerät: CR1\*31\*\*\*\*
- Beschädigte Akkus nicht verwenden, sondern sofort ersetzen
- Den Akku nicht zerlegen
- Das Werkzeug/den Akku niemals Regen aussetzen
- Erlaubte Umgebungstemperatur (Werkzeug/Ladegerät/Akku):
  - beim Laden 4...40°C
  - beim Betrieb -20...+50°C
  - bei Lagerung -20...+50°C

#### ERKLÄRUNG DER SYMBOLE AUF DEM WERKZEUG/ AKKU

- ③ Die Bedienungsanleitung vor dem Gebrauch lesen
- ④ Batterien bzw. Akkus können bei Kontakt mit Feuer explodieren, daher niemals ins Feuer werfen
- ⑤ Bewahren Sie das Werkzeug/Ladegerät/den Akku stets bei Raumtemperaturen unter 50°C auf
- ⑥ Elektrowerkzeuge und Akkus nicht in den Hausmüll werfen

#### BEDIENUNG

- Aufladen des Akkus  
**! Sicherheitshinweise und Anweisungen des Ladegerät lesen!**
- Anbringen/Abnehmen des Akkus ②
- Montieren des Sägeblatts ②  
**! Akku aus dem Werkzeug nehmen**
  - Sechskantschlüssel A aus der Halterung B nehmen
  - Den Spindelarretierschalter C gedrückt halten und die Sägeblattschraube D abmontieren. Dazu den Sechskantschlüssel A **GEGEN UHRZEIGERSINN** drehen (= gleiche Richtung wie der Pfeil auf dem Sägeblatt)
- **! Spindelarretierschalter C nur bei stillstehendem Werkzeug drücken!**
  - Spindelarretierschalter C loslassen
  - Flansch E entfernen
- **! Sicherstellen, dass die Spannflächen H der Flansche komplett sauber sind und bündig vor dem Sägeblatt liegen**
  - Den unteren Blattschutz F mit dem Hebel G geöffnet halten. Dabei das Sägeblatt montieren und darauf achten, dass die Sägezähne und die Pfeilmarkierung auf dem Sägeblatt in dieselbe Richtung zeigen wie der Pfeil auf dem unteren Blattschutz
  - Den unteren Blattschutz F loslassen
  - Flansch E montieren
  - Spindelarretierschalter C gedrückt halten und dabei die Sägeblattschraube mit dem Sechskantschlüssel zunächst handfest und danach 1/8 Drehung weiter festziehen. Das sorgt für einen Schlupf des Sägeblatts

- bei zu starkem Widerstand, schützt den Motor vor einer Überlastung und mindert die Rückstoßgefahr
- Spindelarretierschalter C loslassen
- **Schnitttiefe einstellen (0-66 mm) ⑦**
  - Für eine optimale Schnittgüte sollte das Sägeblatt nicht weiter als 3 mm unterhalb des Werkstücks hervortreten
  - Hebel J lösen
  - Fuß K heben/senken, bis der Zeiger L die gewünschte Schnitttiefe auf der Skala anzeigt
  - Hebel U festziehen
- **Ladestandsanzeige ⑧**
  - Zur Anzeige des aktuellen Ladestands den Taster für die Ladestandsanzeige AC drücken ⑧a
  - ! **Wenn nach dem Drücken des Tasters AC ⑧b die niedrigste Ladestufe in der Anzeige blinkt, ist der Akku leer**
  - ! **Wenn nach dem Drücken des Tasters AC ⑧c 2 Ladebalken blinken, ist der Akku nicht im zulässigen Betriebstemperaturbereich**
- **LED-Lampe ⑫ V**
  - Die LED-Lampe schaltet sich automatisch ein, wenn der Ein-/Ausschalter betätigt wird.
  - ! **Wenn die LED-Lampe zu blinken beginnt, ist der Akkuschutz aktiviert (siehe unten)**
- **Akkuschutz**
  - Das Gerät schaltet sich plötzlich aus oder das Einschalten wird verhindert, wenn
  - **die Belastung zu stark ist** --> Gerät entlasten und neu starten
  - **die Akkutemperatur nicht im zulässigen Betriebstemperaturbereich von -20 bis +50° C liegt** --> Nach dem Drücken der Taste AC ⑧c blinken 2 Balken der Ladestandsanzeige. Warten, bis sich der Akku wieder innerhalb des zulässigen Betriebstemperaturbereichs befindet
  - **der Akku ist fast leer (zum Schutz vor Tiefentladung)**--> ein niedriger Ladestand oder ein blinkender niedriger Ladestand ⑧ b wird von der Ladestandsanzeige gemeldet, wenn die Taste AC gedrückt wird; Akku aufladen
  - ! **Wenn sich das Gerät automatisch abgeschaltet hat, nicht weiterhin den Ein-/Ausschalter drücken; der Akku kann dadurch beschädigt werden**
- **Schnittwinkel einstellen (0-56°) ⑨**
  - Hebel M lösen
  - Werkzeug kippen, bis der Zeiger N den gewünschten Schnittwinkel auf der Skala anzeigt
  - der 45°-Winkelschlag P ist eine schnelle Möglichkeit zum Einstellen von 45°-Winkeln
  - Um einen Winkel von mehr als 45° einzustellen, drehen Sie den 45°-Winkelschlag P, um ihn aus der Anzeige N zu nehmen
  - Hebel M festziehen
  - ! **Beim Gehrungssägen entspricht die Schnitttiefe nicht dem Wert, der auf der Schnitttiefenskala angezeigt wird**
- **Schnittlinienanzeige Q ⑩**
  - Zum Führen des Werkzeugs entlang der Schnittlinie, die am Werkstück markiert wurde
  - Für einen linearen 0°-Schnitt oder einen 45°-Gehrungsschnitt die entsprechenden Zeigerlinie verwenden
  - ! **Der breite Teil des Fußes sollte auf dem**

- abgestützten Teil des Werkstücks aufliegen**
- ! **die Schnittbreite wird durch die Sägezahnbreite und nicht durch die Sägeblattdicke festgelegt**
- ! **immer zuerst einen Probesschnitt ausführen, um die effektive Schnittlinie zu überprüfen**
- **Staubabsaugung ⑪**
  - Befestigen Sie den Staubsaugeradapter R mit der Kreuzschlitzschraube an der Säge
  - Zur Verwendung eines Staubsaugers
  - Den Staubsaugerschlauch mit dem Staubsaugeranschluss R verbinden
  - ! **Der Staubsaugerschlauch darf auf keinen Fall mit dem unteren Sägeblattschutz in Kontakt geraten oder den Sägevorgang behindern!**
- **Staubbeutel**
  - Staubbeutel AD befestigen
- **Bedienung des Werkzeuges**
  - Akku anbringen
  - Den Griff S mit einer Hand und den Griff T mit der anderen Hand immer festhalten
  - Werkzeug mit der Fußvorderseite flach auf dem Werkstück positionieren
  - ! **Die Zähne des Sägeblatts dürfen sich nicht im Eingriff des Werkstücks befinden**
  - Drücken Sie zum Einschalten des Werkzeuges zuerst den Sicherheitsschalter W und ziehen Sie anschließend am Auslöseschalter Y
  - ! **Bevor das Sägeblatt in das Werkstück eintaucht, sollte das Werkzeug seine volle Drehzahl erreicht haben!**
  - Der untere Blattschutz F öffnet sich automatisch, wenn das Sägeblatt in das Werkstück eingreift (den unteren Blattschutz nur für spezielle Schnitte wie etwa Tauschschnitte manuell öffnen; hierzu Hebel G betätigen)
  - ! **Nicht zu viel Druck auf das Werkzeug ausüben (nur leichten Dauerdruck aufwenden, um die Sägeblattspitzen nicht zu überhitzen)**
  - Nach dem Sägen das Gerät durch Loslassen des Schalters Y ausschalten
  - ! **Stellen Sie sicher, dass das Blatt vollkommen zum Stillstand gekommen ist, bevor Sie das Werkzeug aus dem Werkstück ziehen!**

## ANWENDUNGSHINWEISE

- Um die Splitterbildung möglichst gering zu halten, sollte die gute Werkstückseite immer nach unten zeigen
- Nur scharfe Sägeblätter des richtigen Typs benutzen ⑬
  - Die Schnittqualität verbessert sich durch die Anzahl der Zähne
  - Hartmetallbestückte Sägeblätter haben eine bis zu 30 Mal längere Standzeit als konventionelle Sägeblätter
- **Querschnitte/Rip Cuts ⑭**
  - Querschnitte oder Rip-Cuts sind mit einem Parallelschlag Z einfach zu bewerkstelligen.
  - Am Fuß die 0° Schnittlinienanzeige Q auf die gewünschte Schnittlinie ausrichten
  - Einen Parallelschlag Z durch die Öffnung auf der gewünschten Seite des Fußes einführen, auf die gewünschte Breite einstellen und mit Hebel AA arretieren
- Sicherstellen, dass der Rip-Schutz die Bewegungsfreiheit des unteren Sägeblattschutzes und

- des Sägeblattes nicht einschränkt
- Tauchsägen <sup>15</sup>
  - Gewünschte Schnitttiefe einstellen
  - Das Werkzeug nach vorn kippen, bis die Schnittführungsanzeige Q mit der gewünschten Schnittlinie fluchtet, die auf dem Werkstück markiert ist
  - Den unteren Blattschutz F mit Hebel G lösen
  - Kurz vor dem Eintauchen des Sägeblatts in das Werkstück das Werkzeug einschalten, und den rückwärtigen Werkzeuggesteuerer allmählich absenken. Dabei das vordere Fußende als Angelpunkt verwenden
  - Das Werkzeug langsam nach unten absenken und gleichzeitig vorwärts bewegen
  - Sobald das Sägeblatt in das Werkstück eindringt, Hebel G loslassen
- ! **Das Werkzeug auf keinen Fall rückwärts ziehen**
- Große Paneele sägen <sup>16</sup>
  - Das Paneel nahe der Schnittlinie entweder am Boden, auf einem Tisch oder einer Werkbank abstützen
- ! **Die Schnitttiefe so einstellen, dass Sie das Paneel und nicht das Stützelement durchsägen**
  - falls die gewünschte Schnittbreite mit dem Parallelschlag nicht möglich ist, eine gerade Holzleiste als Richtlatte am Werkstück festklemmen oder vernageln und die Seite des Werkzeugfußes an der Richtlatte anschlagen lassen <sup>17</sup>
- Sägen mit einer Führungsschiene <sup>19</sup>
  - \*STANDARDMÄSSIG NICHT MITGELIEFERT
  - Mit einer Führungsschiene lassen sich präzise Schnitte mit 0° oder 45° Winkel herstellen.
  - Vor dem ersten Sägen mit der Führungsschiene muss die Gummilippe an die verwendete Kreissäge angepasst werden.
  - Stellen Sie die 0° Winkelseite der Schiene AE zum Sägen mit 0° (bzw. die 45° Winkelseite beim Sägen mit 45°) auf die gewünschten Schnittlinie ein, die am Werkstück angezeichnet ist
  - Die Führungsschiene AE mit Schraubzwingen AF fest einspannen <sup>18</sup> \*STANDARDMÄSSIG NICHT MITGELIEFERT
  - Die Säge auf die Schiene AE aufsetzen und die Einsteller für den Führungsspalt U im Uhrzeigersinn festziehen. Dadurch wird der Abstand zwischen der Aussparung am Fuß und der aufstehenden Nocke an der Schiene AE minimiert. Darauf achten, dass die Säge auf der Schiene frei gleiten kann, ohne seitlich wegzuschwenken.
  - Beim Einstellen der Schnitttiefe die Dicke der Führungsschiene AE berücksichtigen
  - Am Ende der Schiene die Säge gleichmäßig und mit langsamem Vorschub führen
- Weitere Informationen finden Sie auf [www.skil.com](http://www.skil.com)

## WARTUNG / SERVICE

- Dieses Werkzeug eignet sich nicht für den professionellen Einsatz
- Das Gerät immer sauber halten!
- ! **Vor der Montage die Batterie aus dem Werkzeug entfernen**
- Halten Sie den Bereich um den unteren Blattschutz F <sup>2</sup> herum stets sauber (entfernen Sie Staub und Späne mit Hilfe von Druckluft oder einer Bürste)
- Das Sägeblatt unmittelbar nach der Benutzung reinigen

- (insbesondere von Harz- und Leimrückständen)
- Sollte das Elektrowerkzeug trotz sorgfältiger Herstellungs- und Prüfverfahren einmal ausfallen, ist die Reparatur von einer autorisierten Kundendienststelle für SKIL-Elektrowerkzeuge ausführen zu lassen
  - Schicken Sie das Werkzeug **unzerlegt** zusammen mit dem Kaufbeleg an den Fachhändler oder an die nächste SKIL-Vertragswerkstatt (die Anschriften sowie die Ersatzteilzeichnung des Werkzeuges finden Sie unter [www.skil.com](http://www.skil.com))
- Beachten Sie, dass ein falscher oder unsachgemäßer Gebrauch des Werkzeugs zum Erlöschen der Garantie führt (die SKIL-Garantiebedingungen finden Sie unter [www.skil.com](http://www.skil.com) oder fragen Sie Ihren Händler)

## UMWELT

Nur für EU-Länder

- **Elektrowerkzeuge, Zubehör und Verpackungen nicht im Hausmüll entsorgen**
  - Gemäß der europäischen Richtlinie 2012/19/EG über Elektro- und Elektronik-Altgeräte und ihrer Umsetzung in nationales Recht müssen nicht mehr gebrauchsfähige Elektrowerkzeuge getrennt gesammelt und einer umweltgerechten Wiederverwertung zugeführt werden
  - Hieran soll Sie das Symbol <sup>6</sup> erinnern
- ! **Vor dem Entsorgen des Akkus die Pole mit Isolierband zukleben, um einen Kurzschluss zu verhindern**

## GERÄUSCH / VIBRATION

- Gemessen nach EN 62841 beträgt der Schalldruckpegel dieses Werkzeugs 91 dB (A) und der Schalleistungspegel 102 dB (A) (Unsicherheit K = 3 dB) und die Vibration \* (Triaxvektorsumme; Unsicherheit K = 1,5 m/s<sup>2</sup>) \* Sägen in Holz < 2,5 m/s<sup>2</sup>
- Der Vibrationsemissionswert wurde mit einem standardisierten Test gemäß EN 62841 gemessen. Sie kann verwendet werden, um ein Werkzeug mit einem anderen zu vergleichen und als vorläufige Beurteilung der Vibrationsexposition bei Verwendung des Werkzeugs für die angegebenen Anwendungszwecke
  - Die Verwendung des Werkzeugs für andere Anwendungen oder mit anderem oder schlecht gewartetem Zubehör kann den Expositionsgrad erheblich erhöhen
  - Zeiten, zu denen das Werkzeug ausgeschaltet oder bei denen es in Betrieb ist aber nicht zum Einsatz kommt, können den Expositionswert erheblich verringern
- ! **Schützen Sie sich vor den Auswirkungen der Vibration durch Wartung des Werkzeugs und des Zubehörs, halten Sie Ihre Hände warm und organisieren Sie Ihre Arbeitsweise**

NL

**Borstelloze draadloze  
cirkelzaag**

**3571**

## INLEIDING

- Deze machine is bestemd voor het schulpen en afkorten van hout met een rechte zaaglijn tot onder een hoek van 56°

- Dit gereedschap is niet bedoeld voor professioneel gebruik
- Lees en bewaar deze gebruiksaanwijzing ③

## TECHNISCHE GEGEVENS ①

### GEREEDSCHAPSELEMENTEN ②

- A Inbussleutel
  - B Opslag voor binnenzeskantsleutel
  - C Spil-vergrendelingsknop
  - D Bladbout
  - E Flens
  - F Onderste beschermkap
  - G Hendel om onderste beschermkap te openen
  - H Klemoppervlak
  - J Knop voor het instellen van de zaagdiepte
  - K Voetplaat
  - L Zaagdiepte-indicator
  - M Hendel voor het aanpassen van de zaaghoek
  - N Zaaghoek indicator
  - P 45° afschuin stop
  - Q Zaaglijn-indicator
  - R Stofzuigeraansluitstuk
  - S Achterste handgreep
  - T Voorste handgreep
  - U Knoppen voor het aanpassen van de geleidesleuf
  - V Ledlampje
  - W Veiligheidsschakelaar
  - X Geleidesleuf
  - Y Drukschakelaar
  - Z Breedtegeleider
  - AA Knop voor het instellen breedtegeleider
  - AB Haak
  - AC Accuniveau-indicator
  - AD Stofzak\*
  - AE Geleiderail\*
  - AF Klem voor geleiderail\*
- \* NIET STANDAARD INBEGREPEN

## VEILIGHEID

### ALGEMENE VEILIGHEIDSWAARSCHUWINGEN VOOR ELEKTRISCH GEREEDSCHAP

**WAARSCHUWING** Lees alle veiligheidswaarschuwingen, instructies, illustraties en specificaties die met het elektrisch gereedschap zijn meegeleverd. Het niet opvolgen van alle onderstaande instructies kan leiden tot elektrische schokken en/of ernstig letsel.

**Bewaar alle waarschuwingen en instructies voor toekomstig gebruik.**

De term "elektrisch gereedschap" in de waarschuwingen verwijst naar uw op het voedingsnet aangedreven (met snoer) elektrisch gereedschap of accuaangedreven (snoerloos) elektrisch gereedschap.

#### 1) VEILIGHEID OP DE WERKPLAATS

- a) **Houd uw werkplaats schoon en goed verlicht.** Rommelige of donkere ruimten kunnen ongevalen

veroorzaken.

- b) **Gebruik geen elektrisch gereedschap in ruimten waar een explosieve atmosfeer kan ontstaan, bijvoorbeeld in de aanwezigheid van ontvlambare vloeistoffen, gasen of stof.** Elektrisch gereedschap creëert vonken, deze kunnen stof of dampen in brand steken.
  - c) **Houd kinderen en omstanders uit de buurt wanneer u een elektrisch gereedschap bedient.** Afleiding kan tot controleverlies leiden.
- #### 2) ELEKTRISCHE VEILIGHEID
- a) **De stekker van het elektrisch gereedschap dient met het stopcontact overeen te stemmen. Pas de stekker op geen enkele manier aan. Gebruik geen adapterstekker met geaard elektrisch gereedschap.** Niet aangepaste stekkers en overeenkomstige stopcontacten beperken het risico op elektrische schokken.
  - b) **Vermijd lichamelijk contact met geaarde oppervlakken, zoals leidingen, radiatoren, fornuizen en koelkasten.** Het risico op een elektrische schok is groter als uw lichaam geaard is.
  - c) **Stel elektrisch gereedschap niet bloot aan regen of vochtige omstandigheden.** Water dat elektrisch gereedschap binnendringt, vergroot het risico op een elektrische schok.
  - d) **Gebruik de kabel niet op een verkeerde manier. Gebruik de kabel nooit om het elektrisch gereedschap te dragen, te trekken of om de stekker uit het stopcontact te halen. Houd de kabel uit de buurt van hitte, olie, scherpe randen of bewegende onderdelen.** Beschadigde of verstrikte kabels vergroten het risico op een elektrische schok.
  - e) **Wanneer u een elektrisch gereedschap buitenshuis bedient, gebruik dan een verlengkabel die geschikt is voor gebruik buitenshuis.** Het gebruik van een kabel die voor gebruik buitenshuis geschikt is, verkleint het risico op een elektrische schok.
  - f) **Als het gebruik van elektrisch gereedschap in een vochtige ruimte noodzakelijk is, gebruik een differentieelschakelaar.** Het gebruik van een differentieelschakelaar verkleint het risico op elektrische schokken.
- #### 3) PERSOONLIJKE VEILIGHEID
- a) **Wees waakzaam, let op wat u doet en gebruik uw gezond verstand wanneer u elektrisch gereedschap gebruikt. Gebruik het elektrisch gereedschap niet als u moe bent of onder de invloed bent van drugs, alcohol of medicijnen.** Een moment van onoplettendheid tijdens het gebruik van elektrische gereedschappen kan leiden tot ernstig persoonlijk letsel.
  - b) **Gebruik persoonlijke beschermingsmiddelen. Draag altijd oogbescherming.** Beschermingsmiddelen zoals een stofmasker, slipvasteschoenen, veiligheidshelm of gehoorbescherming afhankelijk van de aard en het gebruik van het gereedschap verkleint het risico op persoonlijk letsel.
  - c) **Vermijd dat het gereedschap per ongeluk wordt gestart. Zorg dat de schakelaar op de stand 'Uit' is ingesteld voordat u het gereedschap op een stroombron en/of accupack aansluit, vastneemt of draagt.** Het dragen van elektrisch gereedschap met uw vinger op de schakelaar of gereedschap ingeschakeld

- op de stroomvoorziening aansluiten kan ongevallen veroorzaken.
- d) **Verwijder instelsleutels of moersleutels voordat u het elektrisch gereedschap inschakelt.** Een instelsleutel of moersleutel in een draaiend deel van het elektrisch gereedschap achterlaten kan leiden tot persoonlijk letsel.
  - e) **Reik niet te ver. Zorg er altijd voor dat u stevig en stabiel staat.** Dit zorgt ervoor dat u het elektrisch gereedschap in onverwachte situaties beter onder controle kunt houden.
  - f) **Draag passende kleding. Draag geen los hangende kleding of sieraden. Houd uw haar en kleding uit de buurt van bewegende onderdelen.** Los hangende kleding, sieraden en lang haar kunnen in bewegende onderdelen verstrikt raken.
  - g) **Wanneer de montage van stofzuigings- of stofopvangvoorzieningen mogelijk is, dient u ervoor te zorgen dat deze juist aangesloten en gebruikt worden.** Het gebruik van een stofopvang kan helpen om het risico in verband met stof te verlagen.
  - h) **Word niet zelfingenomen door de ervaring die u heeft opgedaan door frequent gebruik, waardoor u dan de veiligheidswaarschuwingen negeert.** Een achteloze actie kan binnen een fractie van een seconde ernstig letsel veroorzaken.
- #### 4) ELEKTRISCH GEREEDSCHAP GEBRUIKEN EN ONDERHOUDEN
- a) **Overbelast het elektrisch gereedschap niet. Gebruik het juiste elektrisch gereedschap voor uw toepassing.** Met het juiste elektrisch gereedschap werkt u beter en veiliger binnen het aangegeven vermogensbereik.
  - b) **Gebruik het elektrisch gereedschap niet als de schakelaar niet kan worden in- en uitgeschakeld.** Elektrisch gereedschap dat niet kan worden in- of uitgeschakeld is gevaarlijk en moet worden gerepareerd.
  - c) **Trek de stekker uit de stroomvoorziening en/of verwijder het accupack, indien deze kan worden verwijderd, uit het elektrisch gereedschap voordat u het instelt, accessoires vervangt of het gereedschap opbergt.** Deze preventieve voorzorgsmaatregelen beperken het risico op onbedoeld starten van het elektrisch gereedschap.
  - d) **Berg niet-gebruikt elektrisch gereedschap op buiten het bereik van kinderen en zorg ervoor dat personen die niet vertrouwd zijn met het gereedschap of die deze instructies niet hebben gelezen het gereedschap niet gebruiken.** Elektrisch gereedschap is gevaarlijk wanneer het door onervaren personen wordt gebruikt.
  - e) **Onderhoud het elektrisch gereedschap en de accessoires. Controleer of de bewegende onderdelen correct functioneren en niet vastklemen en of de onderdelen zodanig gebroken of beschadigd zijn dat de werking van het elektrisch gereedschap nadelig wordt beïnvloed. Laat een beschadigd elektrisch gereedschap eerst repareren voordat u het weer in gebruik neemt.** Vele ongevallen zijn het gevolg van slecht onderhouden elektrisch gereedschap.
  - f) **Houd de snij-onderdelen scherp en schoon.** Zorgvuldig onderhouden snij-gereedschap met scherpe snijranden klemt minder snel vast en is gemakkelijker te beheersen.
  - g) **Gebruik het elektrisch gereedschap, accessoires, gereedschap, etc. in overeenstemming met deze instructies en houd hierbij rekening met de werkomstandigheden en de uit te voeren werkzaamheden.** Het gebruik van elektrisch gereedschap voor andere dan de beoogde toepassingen kan tot gevaarlijke situaties leiden.
  - h) **Houd de handgrepen en greepvlakken droog, schoon en vrij van olie en smeervet.** Glibberige handgrepen en greepvlakken maken een veilige omgang en de controle over het elektrisch gereedschap in onverwachte situaties onmogelijk.
- #### 5) ACCU-GEREEDSCHAP GEBRUIKEN EN ONDERHOUDEN
- a) **Opladen alleen met de lader die door de fabrikant is aangegeven.** Een lader die geschikt is voor een bepaald type accupack kan tot brandgevaar leiden wanneer hij gebruikt wordt met een ander accupack.
  - b) **Gebruik elektrisch gereedschap alleen met het specifiek aangegeven accupack.** Het gebruik van andere accupacks kan risico op letsel en brandgevaar veroorzaken.
  - c) **Wanneer u de accu niet gebruikt, houd het uit de buurt van andere metalen voorwerpen zoals paperclips, muntstukken, sleutels, nagels, schroeven of andere kleine metalen voorwerpen die de twee aansluitklemmen kunnen verbinden.** Het kortsluiten van de aansluitklemmen kan brandwonden of brand veroorzaken.
  - d) **Bij verkeerd gebruik kan er vloeistof uit de accu worden gespoten; vermijd elk contact. Als aanraking met de vloeistof toevallig plaatsvindt, spoel het dan af met water. Als de vloeistof in de ogen komt, dient u onmiddellijk een arts te consulteren.** Vloeistof dat uit de accu wordt gespoten kan irritatie of brandwonden veroorzaken.
  - e) **Gebruik geen accupack of gereedschap dat is beschadigd of aangepast.** Beschadigde of aangepaste accu's kunnen resulteren in onvoorzien gedrag zoals brand, explosie of het risico op letsel.
  - f) **Stel een accupack of gereedschap niet bloot aan vuur of excessieve temperaturen.** Blootstelling aan vuur of temperaturen boven 130°C kunnen leiden tot een explosie.
  - g) **Neem alle laadinstructies in acht en laad het accupack of het gereedschap niet buiten het gespecificeerde temperatuurbereik in de handleiding op.** Het onjuist laden of bij een temperatuur buiten het temperatuurbereik kan de accu beschadigen en er bestaat een gevaar op brand.
- #### 6) SERVICE
- a) **Laat uw elektrisch gereedschap repareren door een gekwalificeerde reparateur en alleen met identieke reserve-onderdelen.** Dit waarborgt de veiligheid van het elektrisch gereedschap.
  - b) **Repareer beschadigde accupacks nooit.** Onderhoud van accupacks mag alleen worden uitgevoerd door de fabrikant of een geautoriseerde dienstverlener.

#### VEILIGHEIDSWAARSCHUWINGEN VOOR DRAADLOZE CIRKELZAGEN



## 1) ZAAGMETHODEN

- a) **⚠ GEVAAR : Houd handen uit de buurt van het snijgebied en het zaagblad. Houd uw tweede hand op de extra handgreep of de motorbehuizing.** Als beide handen de zaag vasthouden, kunnen ze niet door de zaag worden gesneden.
  - b) **Reik niet onder het werkstuk.** De beschermkap kan u niet beschermen tegen het zaagblad onder het werkstuk.
  - c) **Pas de zaagdiepte aan op de dikte van het werkstuk.** Minder dan een volledige tand van de tanden van het zaagblad zouden zichtbaar moeten zijn onder het werkstuk.
  - d) **Houd het te zagen werkstuk nooit in uw handen of op uw been vast. Bevestig het werkstuk op een stabiel platform.** Het is belangrijk om het werk goed te ondersteunen om blootstelling van het lichaam, het vastlopen van het zaagblad of verlies van controle te minimaliseren.
  - e) **Houd het elektrische gereedschap alleen vast aan de geïsoleerde greepvlakken als u werkzaamheden uitvoert waarbij het inzetgereedschap verborgen stroomleidingen of de eigen netkabel kan raken** (Contact met een onder spanning staande leiding zet ook de metalen delen van het elektrische gereedschap onder spanning en leidt tot een elektrische schok).
  - f) **Gebruik bij het scheuren altijd een parallelle geleider of een rechte hoekgeleider.** Dit verbetert de zaagnauwkeurigheid en vermindert de kans op vastlopen van het zaagblad.
  - g) **Gebruik altijd zaagbladen met de juiste grootte en vorm (diamant vs. ronof asgaten).** Zaagbladen die niet passen op het bevestigingsmateriaal van de zaag lopen niet excentrisch, wat een verlies van controle tot gevolg heeft.
  - h) **Gebruik nooit beschadigde of verkeerde sluitringen of bouten.** De sluitringen en bout zijn speciaal ontworpen voor uw zaag, voor optimale prestaties en een veilig gebruik.
- ## 2) OORZAKEN VOOR EEN TERUGSLAG EN GERELATEERDE WAARSCHUWINGEN
- Een terugslag is een plotselinge reactie op een bekneld, vastgelopen of verkeerd uitgelijnd zaagblad, waardoor een ongecontroleerde zaag omhoog en uit het werkstuk in de richting van de gebruiker wordt getild
  - Wanneer het zaagblad stevig wordt bekneld of vastgeklemd doordat de snede naar beneden toe smaller wordt, stopt het zaagblad en duwt de motorreactie de eenheid snel terug richting de gebruiker
  - Als het zaagblad in de snede verdraaid of niet goed uitgelijnd raakt, kunnen de tanden aan de achterrand van het zaagblad in het bovenoppervlak van het hout graven, waardoor het zaagblad uit de zaagsnede beweegt en terugspringt naar de gebruiker
  - Een terugslag is het resultaat van het verkeerd gebruik en/of verkeerde bediening van het elektrisch gereedschap of verkeerde werkomstandigheden en kan worden voorkomen door de juiste voorzorgsmaatregelen te nemen:
- a) **Houd een stevige grip met beide handen op de zaag en plaats uw armen om terugslagkrachten te weerstaan. Plaats uw lichaam aan een zijde van het zaagblad, maar niet in lijn met het zaagblad.** Terugslag kan ervoor zorgen dat de zaag

achteruit springt, maar terugslagkrachten kunnen door de bediener worden opgevangen, als de juiste voorzorgsmaatregelen worden genomen.

- b) **Wanneer het zaagblad vastloopt, of wanneer een zaagsnede om welke reden dan ook wordt onderbroken, laat u de schakelaar los en houdt u de zaag stil in het materiaal totdat het zaagblad volledig tot stilstand is gekomen. Probeer nooit om de zaag uit het werkstuk te halen of de zaag naar achteren te trekken terwijl het zaagblad in beweging is, anders kan er een terugslag optreden.** Onderzoek en onderneem corrigerende maatregelen om de oorzaak van het vastlopen van het zaagblad te verhelpen. Vermijd het zagen van spijkers of schroeven.
  - c) **Wanneer u een zaag in het werkstuk opnieuw start, centreert u het zaagblad in de zaagsnede en controleer of de zaagtanden niet in het materiaal grijpen.** Als een zaagblad vastloopt, kan het omhoog bewegen of terugslaan van het werkstuk wanneer de zaag opnieuw wordt gestart.
  - d) **Ondersteun grote panelen om het risico op beknelling van het zaagblad en een terugslag te minimaliseren.** Grote panelen hebben de neiging door te zakken onder hun eigen gewicht. Er moeten steunen aan beide zijden onder het paneel worden geplaatst, in de buurt van de zaaglijn en bij de rand van het paneel.
  - e) **Gebruik geen botte of beschadigde zaagbladen.** Botte of onjuist ingestelde zaagbladen maken een smalle zaagsnede die excessieve wrijving tot gevolg heeft, waardoor het zaagblad vast komt te zitten en een terugslag veroorzaakt.
  - f) **De vergrendelingshendels voor het instellen van de zaagbladdiepte en de afschuining moeten goed vast zitten voordat u begint met zagen.** Als de zaagbladinstelling tijdens het zagen verschuift, kan het zaagblad hierdoor vastlopen en een terugslag veroorzaken.
  - g) **Wees extra voorzichtig bij het zagen in bestaande muren of andere gebieden waar u niets ziet.** Het uitstekende zaagblad kan voorwerpen zagen die een terugslag kunnen veroorzaken.
- ## 3) FUNCTIE VAN DE ONDERSTE BESCHERMKAP
- a) **Controleer voor elk gebruik of de onderste beschermkap goed sluit. Gebruik de zaag niet als de onderste beschermkap niet vrij kan bewegen en onmiddellijk sluit. Klem of bind de onderste beschermkap nooit in de open stand vast.** Als de zaag per ongeluk valt, kan de onderste beschermkap verbogen raken. Til de onderste beschermkap op met behulp van de terugtrekhandel en zorg ervoor dat deze vrij kan bewegen en het zaagblad of enig ander onderdeel niet raakt, in alle hoeken en diepten van de zaagsnede.
  - b) **Controleer de werking van de onderste beschermveer. Als de beschermkap en de veer niet naar behoren werken, moeten ze voor gebruik worden nagekeken.** De onderste beschermkap kan traag werken als gevolg van beschadigde onderdelen, rubber afzettingen of een opeenhoping van vuil.
  - c) **De onderste beschermkap zou alleen handmatig moeten worden ingetrokken voor speciale zaagsneden zoals invalsneden en samengestelde sneden. Til de onderste beschermkap op met**

de terugtrekhandel en zodra het zaagblad in het materiaal komt, moet de onderste beschermkap worden losgelaten. Voor al het andere zagen moet de onderste beschermkap automatisch werken.

- d) **Let er altijd op dat de onderste beschermkap het zaagblad bedekt voordat u de zaag op een bank of vloer neerzet.** Een onbeschermd, uitlopend zaagblad zorgt ervoor dat de zaag achteruit loopt en zaagt wat er op zijn pad komt. Houd rekening met de tijd die het zaagblad nodig heeft om tot stilstand te komen nadat de schakelaar is losgelaten.

## AANVULLENDE VEILIGHEIDSWAARSCHUWINGEN

### ALGEMEEN

- Dit gereedschap mag niet worden gebruikt door personen onder de 16 jaar
- Dit gereedschap is niet geschikt voor nat zagen
- **Bewerk geen asbesthoudend materiaal** (asbest geldt als kankerverwekkend)
- Stof van materiaal zoals loodhoudende verf, sommige houtsoorten, mineralen en metaal kunnen schadelijk zijn (contact met of inademing van de stof kan allergische reacties en/of ademhalingsziekten bij gebruiker of omstanders veroorzaken); **draag een stofmasker en werk met een stofopvangvoorziening als die kan worden aangesloten**
- Bepaalde soorten stof zijn geclassificeerd als kankerverwekkend (zoals stof van eiken en beuken), met name in combinatie met toevoegingsmiddelen voor houtverzorging; **draag een stofmasker en werk met een stofopvang-voorziening als die kan worden aangesloten**
- Volg de stofgerelateerde nationale vereisten voor de materialen waarmee u wilt werken
- Gebruik deze zaag niet in combinatie met een zaagtafel
- Verwijder de accu uit het gereedschap voordat u instellingen verandert of een accessoire verwisselt

### ACCESSOIRES

- SKIL kan alleen een correcte werking van het gereedschap garanderen, indien originele accessoires worden gebruikt
- Gebruik alleen zaagbladen die voldoen aan de in deze gebruiksaanwijzing vermelde specificaties, volgens EN 847-1 zijn getest en overeenkomstig zijn gemarkeerd.
- Gebruik alleen accessoires met een toegestaan toerental, dat minstens even hoog is als het hoogste onbelaste toerental van het gereedschap
- Gebruik uitsluitend zaagbladen met een minimale diameter van 184 mm, een maximale diameter van 184 mm en een asgat van 16 mm
- Gebruik nooit zaagbladen van snelstaal (HSS)
- Gebruik nooit slijp-/doorslijpschijven met dit gereedschap

### VOOR GEBUIK

- Voorkom schade, die kan ontstaan door schroeven, spijkers en andere voorwerpen in uw werkstuk; verwijder deze voordat u aan een karwei begint
- Verwijder alle obstakels zowel boven als onder het zaagpad voordat u begint met zagen
- **Zet het werkstuk vast** (een werkstuk, dat is vastgezet met klemmen of in een bankschroef, zit steviger vast dan wanneer het met de hand wordt vastgehouden)
- **Gebruik een geschikt detectieapparaat om verborgen stroom-, gas- of waterleidingen op te sporen of raadpleeg het plaatselijke energie- of**

**waterleidingbedrijf** (contact met elektrische leidingen kan tot brand of een elektrische schok leiden; beschadiging van een gasleiding kan tot een explosie leiden; breuk van een waterleiding veroorzaakt materiële schade en kan tot een elektrische schok leiden)

### TIJDENS HET GEBRUIK

- Het geluidsniveau tijdens het werken kan de 85 dB(A) overschrijden; draag gehoorbescherming
- Gebruik het gereedschap nooit zonder het originele beschermkapsysteem
- Probeer geen extreem kleine werkstukken te zagen
- Werk niet boven uw hoofd met het gereedschap
- In geval van het vastknellen of elektrische of mechanische storing, het gereedschap onmiddellijk uitschakelen en batterij verwijderen

### NA GEBRUIK

- Als u het gereedschap weg legt, moet de motor uitgeschakeld zijn en alle bewegende delen tot stilstand zijn gekomen.
- Nadat u uw cirkelzaag hebt uitgeschakeld, mag u de rotatie van het zaagblad nooit stoppen door een zijdelingse kracht die erop wordt uitgeoefend

### ACCU

- De meegeleverde batterij is deels opgeladen (om een volledige capaciteit van de batterij te garanderen, moet u de batterij volledig opladen in de oplader voordat u uw elektrische gereedschap voor de eerste keer gebruikt)
- Gebruik uitsluitend de volgende accu's en opladers voor dit gereedschap
  - SKIL-batterij: BR1\*31\*\*\*\*
  - SKIL-oplader: CR1\*31\*\*\*\*
- Gebruik de accu niet wanneer deze beschadigd is; hij moet worden vervangen
- Demonteer de accu niet
- Stel het gereedschap/de accu niet bloot aan regen
- Toegestane omgevingstemperatuur (gereedschap/lader/accu):
  - tijdens het laden 4...40°C
  - bij het gebruik -20...+50°C
  - bij opslag -20...+50°C

### UITLEG VAN SYMBOLEN OP GEREEDSCHAP/BATTERIJ

- ③ Lees de gebruiksaanwijzing vóór gebruik
- ④ Batterijen kunnen exploderen wanneer ze in vuur worden gegooid, dus verbrand de batterij om welke reden dan ook niet
- ⑤ Bewaar het gereedschap/oplader/batterij op een plaats, waar de temperatuur niet hoger dan 50°C kan worden
- ⑥ Geef elektrisch gereedschap en batterijen niet met het huisvuil mee

## GEBRUIKEN

- Accu opladen
- **! lees de veiligheidswaarschuwingen en -voorschriften die bij de oplader worden geleverd**
- Verwijderen/installeren van de batterij ②
- Het zaagblad aanbrengen ②
- **! verwijder de batterij uit het gereedschap**
  - neem binnenzeskantsleutel A uit opslag B
  - druk op asvergrendelknop C en houd deze ingedrukt terwijl u zaagbladbout D verwijderd door de binnenzeskantsleutel **TEGEN DE KLOK IN** te draaien (= in de richting van de pijl op het zaagblad)
- **! druk asvergrendelknop C alleen in als het gereedschap helemaal stilstaat**

- laat asvergrendelknop C los
- verwijder flens E
- ! zorg ervoor, dat het klemoppervlak H van de flenzen perfect schoon zijn en naar het zaagblad wijzen**
- open onderste beschermkap F met hendel G en houd deze vast terwijl u het zaagblad monteert met de zaagtanden en de pijl op het zaagblad in dezelfde richting wijzend als de pijl op de onderste beschermkap
- laat onderste beschermkap F los
- monteer flens E
- druk asvergrendelknop C in en houd deze vast terwijl u de bout eerst handvast draait, en hem met de binnenzeskantsleutel nog 1/8 slag verder vastdraait (zorgt voor slippen van het zaagblad wanneer dit grote weerstand ondervindt, waardoor kans op overbelasting van de motor en machine-terugschlag kleiner wordt)
- laat asvergrendelknop C los
- Instellen zaagdiepte (0-66 mm) ⑦
  - voor een optimale zaagkwaliteit mag het zaagblad niet meer dan 3 mm onder het werkstuk uitsteken
  - draai knop J los
  - beweeg voet K omhoog/omlaag totdat de gewenste zaagdiepte op schaal is ingesteld met behulp van indicator L
  - draai knop J vast
- Accuniveau-indicator ⑧
  - Druk op de accuniveau-indicatorknop AC om het huidige accuniveau ⑨a aan te geven
  - ! als de laagste accuniveau-indicator begint te knippen na het drukken van de knop AC ⑧b, is de accu leeg**
  - ! Als 2 niveaus van de accuniveau-indicator beginnen te knippen na het drukken van knop AC ⑧c, bevindt de accu zich niet binnen het toegestane temperatuurbereik voor gebruik**
- Led-lamp ⑫ V
  - Led-lamp gaat aan bij het activeren van de aan-/uit-schakelaar
  - ! als het led-lampje gaat knippen is de batterijbescherming geactiveerd (zie hieronder)**
- Accubescherming
  - Het gereedschap wordt plotseling uitgeschakeld of kan niet worden ingeschakeld, wanneer:
    - **de belasting te hoog is** --> verwijder de belasting en start opnieuw
    - **de temperatuur van de accu ligt niet binnen het toegestane bedrijfstemperatuurbereik van -20 tot +50°C** --> 2 niveaus van de accuniveau-indicator beginnen te knippen als er op knop AC ⑧c wordt gedrukt; wacht tot de accu weer binnen het toegestane bedrijfstemperatuurbereik zit
    - **de accu bijna leeg is (ter bescherming tegen diepe ontlading)** --> een laag accuniveau of knipperend laag accuniveau ⑧b wordt weergegeven door de accuniveau-indicator wanneer u op de knop AC drukt; laad de accu op
    - ! blijf niet op de aan/uit-schakelaar drukken nadat het gereedschap automatisch is uitgeschakeld; de accu kan beschadigd raken**
- Instellen van de zaaghoek (0-56°) ⑬
  - draai hendel M los
  - kantel het gereedschap totdat de gewenste zaaghoek op de schaal is ingesteld met behulp van indicator N
  - de 45° afschuin stop P biedt een snelle instelling van de 45° afschuinhoek
  - om een afschuinhoek groter dan 45° in te stellen, draai de 45° afschuin stop P om deze uit de indicator N te halen
  - draai hendel M vast
  - ! bij verstekzagen correspondeert de zaagdiepte niet met de waarde op de zaagdiepteschaal**
- Zaaglijn-indicator Q ⑩
  - voor het geleiden van het gereedschap langs de gewenste zaaglijn gemarkeerd op het werkstuk
  - gebruik voor een rechte 0° zaaglijn of een 45° schuine zaaglijn de betreffende indicatorlijn
  - ! laat het brede gedeelte van de voet op het ondersteunde gedeelte van werkstuk rusten**
  - ! de breedte van zaagsnede wordt bepaald door de dikte van de zaagtanden en niet door de dikte van zaagblad zelf**
  - ! altijd eerst uitproberen op een stuk afvalmateriaal**
- Stofafzuiging ⑪
  - Bevestig de stofzuigeradapter R aan de zaag met behulp van de kruiskopschroef
  - Voor gebruik van stofzuiger
    - sluit de stofzuigerslang aan op de stofzuigeradapter R
  - ! laat de stofzuigerslang nooit het openen van de onderste beschermkap of het zagen belemmeren**
  - Stofzak
    - bevestig de stofzak AD
- Werken met het gereedschap
  - installeer de accu
  - houd handgreep S altijd stevig vast met één hand en handgreep T stevig met de andere hand
  - plaats het gereedschap met de voorkant van de voet vlak op het werkstuk
  - ! zorg dat de zaagtanden het werkstuk niet raken**
  - zet de machine aan door eerst op veiligheidsschakelaar W te drukken en daarna aan knop Y te trekken
  - ! het gereedschap moet eerst op volle snelheid lopen voordat het blad in het werkstuk duikt**
  - onderste beschermkap F opent automatisch als het zaagblad in het werkstuk gaat (open onderste beschermkap alleen handmatig met hendel G voor speciale zaagsneden zoals inval-zaagsneden)
  - ! forceer het gereedschap niet (oefen lichte en constante druk uit om oververhitting van de zaagtanden te voorkomen)**
  - schakel het gereedschap uit na het maken van de zaagsnede door knop Y los te laten
  - ! zorg ervoor, dat het zaagblad compleet tot stilstand is gekomen, voordat u het gereedschap van het werkstuk tilt**

## TOEPASSINGSADVIES

- Houd de goede kant van het werkstuk altijd naar beneden gericht om minimale afsplintering te waarborgen
- Gebruik alleen scherpe zaagbladen van het juiste type ⑬
  - Zaagkwaliteit neemt toe met het aantal tanden
  - Zaagbladen met hardmetalen tanden blijven tot 30 maal langer scherp dan gewone zaagbladen
- Dwarssneden/Langsneden ⑭
  - Dwarssneden of langsneden zijn eenvoudig te maken



met een breedtegeleider Z.

- breng de richtlijn op één lijn met de 0° zaaglijnindicator Q op de voet
- steek een breedtegeleider Z door de sleuven aan weerszijden van de voet tot de gewenste breedte en zet vast met de knop AA

**! zorg ervoor dat de breedtegeleider de vrije beweging van de onderste beschermkap en het zaagblad niet hindert**

- Invalzagen ⑮
  - Gewenste zaagdiepte instellen
  - Kantel het gereedschap naar voren met zaaglijnindicator Q op één lijn met de op het werkstuk aangegeven gewenste zaaglijn
  - Open de onderste beschermkap F met hendel G
  - Net voordat het blad in het werkstuk komt, schakelt u het gereedschap in en laat u geleidelijk het achterste uiteinde van het gereedschap zakken met het voorste uiteinde van de voet als scharnierpunt
  - Beweeg het gereedschap geleidelijk zowel naar beneden als naar voren
  - Zodra het zaagblad in het materiaal gaat, laat u hendel G los

**! het gereedschap nooit naar achteren trekken**

- Zagen van grote panelen ⑯
  - Steunpaneel dicht bij de snede op vloer, tafel of werkbank

**! stel de zaagdiepte zo in, dat u door paneel en niet door de ondersteuning zaagt**

- indien de breedtegeleider de gewenste zaagbreedte niet aankan, klem of spijker een recht stuk hout op werkstuk als een geleider, en gebruik de linkerkant van de voet tegen deze geleider ⑰
- Zagen met een geleiderail ⑱ \*NIET STANDAARD INBEGREPEN  
Het gebruik van een geleiderail biedt nauwkeurige, rechte en nauwkeurige zaagsneden, zowel bij zaagsneden tegen een hoek van 0° als 45°. Voordat de eerste zaagsnede met de geleiderail wordt gemaakt, pas de rubberen lip aan de gebruikte cirkelzaag aan.
  - voor een rechte zaagsnede van 0°, breng de 0° schuine kant van de rail AE (of de 45° schuine kant bij het maken van een 45° schuine zaagsnede) op één lijn met de gewenste zaaglijn die op het werkstuk is gemarkeerd
  - maak de geleiderail AE stevig op het werkstuk vast met behulp van de klemmen voor geleiderail AF ⑲\*NIET STANDAARD INBEGREPEN
  - schuif de zaag op de rail AE en draai de knoppen voor het aanpassen van de geleidesleuf U met de klok mee om de opening tussen de sleuf in de voet en de verhoogde rib op de rail AE te minimaliseren en zorg ervoor dat de zaag onbelemmerd op de rail kan glijden zonder zijwaarts te zwaaien.
  - Houd bij het instellen van de zaagdiepte rekening met de dikte van de geleiderail AE
  - leid de zaag gelijkmatig met een trage toevoersnelheid door het uiteinde van de rail
- Voor meer informatie zie [www.skil.com](http://www.skil.com)

## ONDERHOUD/SERVICE

- Dit gereedschap is niet bedoeld voor professioneel

gebruik

- Houd de machine altijd schoon!  
**! verwijder vóór het reinigen de batterij uit de machine**
- Houd het gebied rondom de onderste beschermkap F ② altijd schoon (verwijder stof en splinters met behulp van perslucht of een borstel)
- Reinig het zaagblad direct na gebruik (vooral van hars en lijm)
- Als het gereedschap ondanks de zorgvuldige fabricage- en testprocedures defect raakt, moet de reparatie worden uitgevoerd door een after-sales servicecentrum voor elektrisch gereedschap van SKIL
  - stuur het gereedschap **niet gedemonteerd**, samen met het aankoopbewijs, naar het verkoopadres of het dichtstbijzijnde SKIL service-station (de adressen evenals de onderdeeltekening van het gereedschap vindt u op [www.skil.com](http://www.skil.com))
- Denk erom, dat beschadigingen als gevolg van overbelasting of onjuist gebruik van het gereedschap niet onder de garantie vallen (voor de garantievoorwaarden van SKIL zie [www.skil.com](http://www.skil.com) of raadpleeg uw dealer)

## MILIEU

Alleen voor EU-landen

- Geef elektrisch gereedschap, accessoires en verpakkingen niet met het huisvuil mee
  - volgens de Europese richtlijn 2012/19/EG inzake oude elektrische en elektronische apparaten en de toepassing daarvan binnen de nationale wetgeving, dient afgedankt elektrisch gereedschap gescheiden te worden ingezameld en te worden afgevoerd naar een recycle-bedrijf, dat voldoet aan de geldende milieueisen
  - symbool ⑥ zal u eraan herinneren als u het gereedschap moet afdanken
- ! bescherm de batterij-contacten met stevig plakband voordat ze afgedankt worden, om kortsluiting te voorkomen**

## GELUID/TRILLING

- Gemeten conform EN 62841, het geluidsdruk niveau van dit gereedschap is 91 dB(A) en het geluidsvormogensniveau is 102 dB(A) (onzekerheid K = 3 dB), en de trilling \* (triax vectorsom; onzekerheid K = 1,5 m/s<sup>2</sup>) \* zagen in hout < 2,5 m/s<sup>2</sup>
- Het trillingsemisniveauniveau is gemeten in overeenstemming met een gestandaardiseerde test volgens EN 62841; deze mag worden gebruikt om twee machines met elkaar te vergelijken en als voorlopige beoordeling van de blootstelling aan trilling bij gebruik van de machine voor de vermelde toepassingen
  - gebruik van het gereedschap voor andere toepassingen, of met andere of slecht onderhouden accessoires, kan het blootstellingsniveau aanzienlijk verhogen
  - wanneer het gereedschap is uitgeschakeld of wanneer het is ingeschakeld maar geen werk verricht, kan dit het blootstellingsniveau aanzienlijk reduceren
- ! bescherm uzelf tegen de gevolgen van trilling door het gereedschap en de accessoires te onderhouden, uw handen warm te houden en uw werkwijze te organiseren**

## Borstlös sladdlös cirkelsåg

3571

### INTRODUKTION

- Detta verktyg är avsett för långsgående och tvärgående kapning av trä med raka sågningar samt vinkelsågningar upp till 56°
- Det här verktyget är inte avsedd för yrkesmässig användning.
- Läs igenom och spara denna bruksanvisning③

### TEKNISKA DATA ①

### VERKTYGSELEMENT ②

A	Insexnyckel
B	Förvaring för insexnyckel
C	Spindellås-knapp
D	Klingbult
E	Fläns
F	Nedre skydd
G	Spak för att öppna undre skydd
H	Fastklämningsyta
J	Vred för inställning av sågdjup
K	Fotplatta
L	Indikator sågdjup
M	Spak för justering av sågvinkel
N	Indikator sågvinkel
P	45° fasstopp
Q	Såglinjehindikator
R	Dammugaradapter
S	Bakre handtag
T	Främre handtag
U	Vred för justering av styrspåret
V	LED-lampa
W	Säkerhetsomkopplare
X	Styrspår
Y	Avtryckare
Z	Parallellanhåll
AA	Knopp för justering av parallellanhåll
AB	Krok
AC	Batterinivåindikator
AD	Dampmpåse*
AE	Styrskena*
AF	Styrskenas klämma*

\* INGÅR EJ SOM STANDARD

### SÄKERHET

#### ALLMÄNNA SÄKERHETSVARNINGAR FÖR ELVERKTYG

**⚠️ VARNING:** läs igenom alla säkerhetsvarningar, instruktioner, illustrationer och specifikationer som medföljer detta motordrivna verktyg. Underlåtenhet att följa alla instruktioner som listas nedan kan resultera i elektriska stötar, brand och/eller allvarliga personskador.

Spara alla varningar och instruktioner för framtida referens

Termen "elverktyg" i varningarna syftar på ditt starkströmsdrivna (sladdanslutna) elverktyg eller batteridrivna (sladdlösa) elverktyg.

#### 1) SÄKERHET PÅ ARBETSOMRÅDET

- Håll arbetsområdet rent och ordentligt upplyst.** Belamrade eller mörka områden inbjuder till olyckor.
- Använd inte elverktyg i explosiva miljöer som t.ex. i närvaron av brandfarliga vätskor, gaser eller damm.** Elverktyg skapar gnistor vilka kan antända dammet eller ångorna.
- Håll barn och åskådare borta medan elverktyget arbetar.** Störningarna kan göra att du tappar kontrollen.

#### 2) ELSÄKERHET

- Elverktygets kontakter måste matcha uttaget. Modifiera aldrig kontakten på något sätt. Använd inte någon adapterkontakt med motordrivna verktyg som är jordade.** Stickkontakter som inte modifierats och passar i eluttaget minskar risken för elektriska stötar.
- Undvik kroppskontakt med jordanslutna eller jordade ytor såsom rör, värmelement, spisar och kylskåp.** Det finns en ökad risk för elektrisk stöt om din kropp är jordansluten eller jordad.
- Utsätt inte elverktyg för regn eller våta förhållanden.** Vatten som kommer in i ett elektriskt verktyg ökar risken för elektriska stötar.
- Vanvärda inte sladden. Använd aldrig kabeln för att bära, släpa eller dra ut kontakten för elverktyget. Håll kabeln borta från värme, olja, skarpa kanter och rörliga delar.** Skadade eller tilltrasslade sladdar ökar risken för elektrisk stöt.
- Vid användning av motordrivna verktyg utomhus, använd en förlängningskabel som är avsedd för utomhusbruk.** Användning av en sladd som passar för utomhusanvändning minskar risken för elektrisk stöt.
- Om du måste använda ett motordrivet verktyg i en fuktig miljö, använd en jordfelsbrytare.** En jordfelsbrytare minskar risken för elektriska stötar.

#### 3) PERSONLIG SÄKERHET

- Var uppmärksam och observant samt använd sunt förnuft när du använder ett elverktyg. Använd inte ett motordrivet verktyg om du är trött eller under påverkan av droger, alkohol eller medicin.** Ett ögonblick av ouppmärksamhet under arbete med elverktyg kan resultera i allvarliga personskador.
- Använd personlig skyddsutrustning. Använd alltid skyddsglasögon.** Minska risken för personskador genom att använda skyddsutrustning som t.ex. ansiktsmask, halkfria skyddsskor, hjälm och hörselskydd.
- Förhindra oavsiktlig start. Se till att strömbrytaren är i frånläge innan du ansluter till strömkällan och/eller batteripaketet, plockar upp eller bär verktyget.** Att bära elverktyget med fingret på strömbrytaren eller verktyg som är påslagna inbjuder till olyckor.
- Ta bort inställningsnycklar eller skiftnycklar innan elverktyget slås på.** En skiftnyckel eller en nyckel som sitter kvar på en roterande del av elverktyget kan resultera i personskada.
- Sträck dig inte för långt. Ha ordentligt fotfäste och balans hela tiden.** Detta möjliggör bättre kontroll av elverktyget i oväntade situationer.
- Klä dig på lämpligt sätt. Använd inte löst sittande kläder eller smycken. Håll hår och klädsel på**


- avstånd från de rörliga delarna. Löst sittande kläder, smycken och långt hår kan fastna i de rörliga delarna.
- g) **Om enheter har anslutning för dammuppsamlare och anslutningsmöjligheter, se till att de är anslutna och används på korrekt sätt.** Användning av dammuppsamlare kan minska dammrelaterade faror.
- h) **Var alltid uppmärksam vid användning av verktyget, även efter många användningstillfällen, och ignorera inte verktygets säkerhetsprinciper.** En vårdslös handling kan orsaka allvarliga personskador inom bråkdelen av en sekund.
- 4) **ANVÄNDNING OCH SKÖTSEL AV ELVERKTYG**
- a) **Tvinga inte elverktyget. Använd ett korrekt elverktyg för ditt arbete.** Ett korrekt elverktyg utför jobbet bättre och säkrare om det används för rätt arbete.
- b) **Använd inte elverktyget om strömbrytaren inte kan slås på eller stängas av.** Ett elverktyg som inte kan kontrolleras med strömbrytaren är farligt och måste repareras.
- c) **Koppla ur stickkontakten från strömkällan och/eller ta bort batteripaketet, om det är löstagbart, från elverktyget innan du utför justeringar, byter tillbehör eller förvarar elverktyget.** Dessa förebyggande säkerhetsåtgärder minskar risken för att elverktyget startas oavsiktligt.
- d) **Förvara elverktyg som går på tomgång utom räckhåll för barn och låt inte personer som är ovana med elverktyget eller dessa instruktioner använda elverktyget.** Elverktyg är farliga i händerna på utbildade användare.
- e) **Underhåll elverktyg och tillbehör. Kontrollera felinställningar eller om rörliga delar har fastnat, bristning hos delar och andra eventuella förhållanden som kan komma att påverka elverktygets funktion. Om skadad, lämna in elverktyget för reparation innan det används.** Många olyckor beror på dåligt underhållna elverktyg.
- f) **Håll kapverktyg vassa och rena.** Ordentligt underhållna kapverktyg med vassa sågkanter är mindre sannolika att fastna och är lättare att kontrollera.
- g) **Använd elverktyget, tillbehör, verktygsbits osv. i enlighet med dessa instruktioner och ta hänsyn till arbetsförhållanden och det arbete som ska utföras.** Om elverktyget används för andra arbeten än det är avsett för kan det resultera i farliga situationer.
- h) **Håll handtagen och greppytorna torra, rena och fria från olja och fett.** Hala handtag och greppytorna förhindrar säker hantering och kontroll av verktyget vid oväntade situationer.
- 5) **ANVÄNDNING OCH SKÖTSEL AV BATTERIDRIVET VERKTYG**
- a) **Ladda endast med den laddare som rekommenderas av tillverkaren.** En laddare som är lämplig för en typ av batteripaket kan skapa en risk för brand när den används med ett annat batteripaket.
- b) **Använd endast elverktyg med deras särskilt avsedda batteripaket.** Användning av andra batteripaket kan medföra risk för personskador och eld.
- c) **När batteripaket inte används bör det hållas borta från andra metallföremål som gem, mynt, nycklar, spikar, skruvar och andra små metallföremål som kan skapa kontakt mellan de två polerna.** Kortslutning av batteriets terminaler kan orsaka brännskador eller en

brand.

- d) **Under olämpliga förhållanden kan vätska spruta ut från batteriet, undvik kontakt. Vid oavsiktlig kontakt, spola med vatten. Om vätskan kommer i kontakt med ögonen, sök också läkarhjälp.** Vätska som sprutar ur batteriet kan orsaka sveda och brännskador.
- e) **Använd inte ett batteripaket eller verktyg som är skadat eller modifierat.** Skadade eller modifierade batterier kan leda till oförutsägbart uppträdande som leder till brand, explosion eller risk för personskador.
- f) **Utsätt inte batteripaketet eller verktyget för eld eller extrema temperaturer.** Exponering av eld eller temperaturer över 130 °C kan orsaka explosion.
- g) **Följ alla laddningsinstruktioner och ladda inte batteripaketet eller verktyget utanför det temperaturområde som anges i instruktionerna.** Felaktig laddning eller vid temperaturer utanför angivet temperaturområde kan skada batteriet och ökar risken för brand.
- 6) **SERVICE**
- a) **Lämna ditt elverktyg för service hos en kvalificerad servicetekniker som endast använder identiska utbytesdelar.** Det garanterar att säkerheten hos elverktygets bibehålls.
- b) **Utför aldrig service på skadade batteripaket.** Service av batteripaket bör endast utföras av tillverkaren eller auktoriserade serviceverkstäder.

## SÄKERHETSVARNINGAR FÖR SLADDLÖSA CIRKELSÅGAR

### 1) SÅGPROCEDURER

- a) ** FARA: Håll händerna borta från sågområdet och klingan. Håll din andra hand på hjälphandtaget eller motorhuset.** Om båda händerna håller i sågen kan de inte sågas av klingan.
- b) **Nå inte under arbetsstycket.** Skyddet kan inte skydda dig från klingan under arbetsstycket.
- c) **Justera skärjupet till arbetsstyckets tjocklek.** Mindre än en hel tand på klingtänderna ska synas under arbetsstycket.
- d) **Håll aldrig arbetsstycket som sågas i dina händer eller över benet. Fäst arbetsstycket på en stabil plattform.** Det är viktigt att stödja arbetet ordentligt för att minimera kroppsexponering, klingkärvning eller tappad kontroll.
- e) **Håll fast elverktyget endast vid de isolerade handtagen när arbeten utförs på ställen där insatsverktyget kan skada dolda elledningar eller egen nätsladd** (Om elverktyget kommer i kontakt med en spänningsförande ledning sätts elverktygets metalldelar under spänning som sedan leder till elstöt)
- f) **Använd alltid ett parallellanhåll eller rak kantstyrning vid rivning.** Detta förbättrar sågningens noggrannhet och minskar risken för klingkärvning.
- g) **Använd alltid sågklingor med korrekt storlek och form (diamant jämfört med runpå centrumhålen).** Sågklingor som inte matchar monteringshårdvaran på sågen kommer att köras excentriskt och göra att kontrollen förloras.
- h) **Använd aldrig skadade eller felaktiga klingbrickor eller bultar.** Klingbrickorna och bulten var speciellt

utformade för din såg för optimal prestanda och driftsäkerhet.

## 2) REKYLORSAKER OCH RELATERADE VARNINGAR

- Rekyll är en plötslig reaktion på en klämd, fastnad eller felriktad sågklinga, vilket får en okontrollerad såg att lyfta upp och ut ur arbetsstycket mot operatören;
  - När klingan kläms fast eller kläms fast genom att sågspåret stängs, stannar klingan och motorreaktionen driver enheten snabbt tillbaka mot operatören;
  - Om klingan blir vriden eller feljusterade i snittet kan tänderna på klingans bakkant gräva in i träets ovasida vilket gör att klingan klättrar ur sågspåret och hoppar tillbaka mot operatören.
  - Rekyll är resultatet av felanvändning av verktyget och/eller felaktiga arbetsprocedurer eller arbetsförhållanden och kan undvikas genom att vidta ordentliga försiktighetsåtgärder så som beskrivs här nedan.
  - a) **Håll ett stadigt grepp med båda händerna och placera dina armar för att stå emot rekylkrafter. Placera din kropp på ena sidan av klingan, men inte i linje med klingan.** Rekyll kan få sågen att hoppa bakåt, men rekylkrafterna kan kontrolleras av operatören om lämpliga försiktighetsåtgärder vidtas.
  - b) **När klingan kärvar, eller när ett snitt avbryts av någon anledning, släpp avtryckaren och håll sågen orörlig i materialet tills klingan stannar helt. Försök aldrig att ta bort sågen från arbetet eller dra sågen bakåt medan klingan är i rörelse då det kan orsaka en rekyll.** Undersök och vidta korrigerande åtgärder för att eliminera orsaken till klingkärvning. Undvik att såga i spikar eller skruvar.
  - c) **När du startar om en såg i arbetsstycket, centrera du sågklingan i sågspåret så att sågtänderna inte fastnar i materialet.** Om en sågklinga kärvar kan den klättra gå upp eller orsaka en rekyll från arbetsstycket när sågen startas om.
  - d) **Stöd stors panelskivor för att minimera risken för klämning av klingor och rekyler.** Stora panelskivor tenderar att sjunka under sin egen vikt. Stöd måste placeras under panelen på båda sidor, nära snittlinjen och nära panelens kant.
  - e) **Använd inte tråkiga eller skadade blad.** Slöa eller felaktigt inställda sågklingor ger ett smalt sågspår vilket skapar överdriven friktion, kåranda klinga och rekyler.
  - f) **Låsspakar för klingdjup och fassågningsinställning måste vara åtdragna och säkra innan snittet görs.** Om klingjusteringen ändras under sågningen kan det orsaka kärvning och rekyll.
  - g) **Var extra försiktig vid sågning i befintliga väggar eller andra dolda områden.** Den utskjutande klingan kan såga föremål som kan orsaka rekyll.
- ## 3) NEDRE SKYDDSFUNKTION
- a) **Kontrollera att det nedre skyddet stänger ordentligt före varje användning. Använd inte sågen om det nedre skyddet inte rör sig fritt och stängs direkt. Kläm eller bind aldrig det nedre skyddet i öppet läge.** Om sågen tappas av misstag kan det nedre skyddet böjas. Hög det nedre skyddet med infällningshandtaget och se till att det rör sig fritt och inte vidrör klingan eller någon annan del, i alla vinklar och sågdjup.
  - b) **Kontrollera den nedre skyddsfjäders funktion.** Om skyddet och fjädern inte fungerar korrekt måste de

underhållas före användning. Nedre skydd kan fungera trögt på grund av skadade delar, gummiavlagringar eller ansamling av skräp.

- c) **Det undre skyddet får endast dras in manuellt för speciella sågningar som "instickssägningar" och "sammansatta snitt". Lyft det nedre skyddet med det infällbara handtaget och så snart klingan kommer in i materialet måste det nedre skyddet släppas.** För all annan sågning ska det nedre skyddet fungera automatiskt.
- d) **Se alltid till att det nedre skyddet täcker klingan innan du lägger ner sågen på bänk eller golv.** En oskyddad, snurrande klinga kommer att få sågen att gå bakåt och såga vad som än är i dess väg. Var medveten om den tid det tar innan klingan stannar efter att omkopplaren släppts.

## YTTERLIGARE SÄKERHETSVARNINGAR

### ALLMÄNT

- Den här verktyget ska inte användas av personer under 16 år
- Detta verktyg är inte lämpligt för våtkapning
- **Arbeta inte med material som innehåller asbest** (asbest anses vara cancerframkallande)
- Viss typ av damm, exempelvis färg som innehåller bly, vissa träsorter, mineraler och metaller kan vara hälsovadliga om de inhaleras (hudkontakt eller inhalering kan ge allergisk reaktion och/eller luftvägsproblem/sjukdom hos personer i närheten); **använd andningsskydd och arbeta med en dammuppsamlare om sådan anslutning finns**
- Vissa typer av damm är klassificerade så som cancerframkallande (t.ex. ek- och björkdamm) särskilt i kombination med tillsatser för träbehandling; **använd andningsskydd och arbeta med en dammuppsamlare om sådan anslutning finns**
- Följ de dämmrelaterade nationella kraven för de material du vill arbeta med
- Använd inte denna såg i kombination med ett sågbord
- Ta bort batteriet från verktyget innan du gör några justeringar eller byter tillbehör

### TILLBEHÖR

- SKIL kan endast garantera att maskinen fungerar felfritt om originaltillbehör används.
- Använd endast sågklingor som motsvarar de i instruktionsboken angivna specifikationerna, som testats och märkts enligt EN 847-1.
- Använd endast tillbehör vilkas tillåtna varvtal åtminstone motsvarar verktygets högsta tomgångsvarvtal
- Använd endast sågklingor med en minsta diameter på 184 mm, en största diameter på 184 mm och ett spindelhål på 16 mm
- Använd aldrig sågklingor tillverkade av höghastighetsstål (HSS)
- Använd aldrig slip-/kapskivor med detta verktyg

### FÖRE ANVÄNDNING

- Undvik skador genom att ta bort skruvar, spikar eller andra föremål ur arbetsstycket; ta dem bort innan du startar ett arbete
- Ta bort alla hinder ovanpå och under sågbanan innan du börjar såga
- **Sätt fast arbetsstycket** (ett arbetsstycke fastsatt med skruvtvingar eller i ett skruvståd är mera stabilt än om det hålls fast för hand)

- **Använd lämpliga detektorer för lokalisering av dolda försörjningsledningar eller konsultera lokalt distributionsföretag** (kontakt med elledningar kan försäkra brand och elstöt; en skadad gasledning kan leda till explosion; borring i vattenledning kan försäkra egendomsskador eller elstöt)

#### UNDER ANVÄNDNING

- Ljudnivån vid arbete kan överstiga 85 dB(A); använd hörselskydd
- Använd aldrig verktyget utan originalskyddssystemet
- Försök inte att skära extremt små arbetsstycken
- Arbeta inte över huvudet med verktyget
- I händelse av fastklämning eller elektriska eller mekaniska funktionsfel, stäng genast av maskinen och ta bort batteriet.

#### EFTER ANVÄNDNING

- Innan du lägger ned verktyget, stäng av motorn och se till att alla rörliga delar har stannat helt.
- Efter att ha stängt av verktyget, stoppa aldrig rotationen av tillbehöret med en kraft från sidan

#### BATTERIER

- Det medföljande batteriet är delvis laddat (i syfte att garantera batteriets fulla kapacitet ska det laddas fullt i batteriladdaren innan verktyget används för första gången)
- Använd endast följande batterier och laddare med det här verktyget
  - SKIL-batteri: BR1\*31\*\*\*\*
  - SKIL-laddare: CR1\*31\*\*\*\*
- Använd inte batteriet om det är skadat; det ska bytas ut.
- Demontera inte batteriet
- Utsätt inte verktyget/batteriet för regn
- Tillåten omgivningstemperatur (verktyg/laddare/batteri):
  - vid laddning 4...40 °C
  - vid drift -20...+50 °C
  - vid förvaring -20...+50 °C

#### FÖRKLARING AV SYMBOLER PÅ VERKTYG/BATTERI

- ③ Läs bruksanvisningen före användning
- ④ Batterierna kan explodera om de utsätts för eld så bränn inte batteriet av något skäl
- ⑤ Förvara verktyget/laddaren/batteriet i lokaler, där temperaturen inte överstiger 50 °C
- ⑥ Kasta inte elektriska verktyg och batterier i hushållsoporna

## ANVÄNDNING

- Ladda batteri
  - ! läs säkerhetsvarningarna och anvisningarna som medföljde laddaren
- Borttagning/installation av batteriet ②
- Montering av sågbladet ②
  - ! ta bort batteriet från verktyget
  - ta ut insexnyckeln A från förvaringsutrymmet B
  - tryck in spindellåsknappen C och håll den intryckt medan du avlägsnar klingbulten D genom att vrida insexnyckeln A MEDURS (= i samma riktning som pilen på sågklingan)
  - ! tryck endast på spindellåsknappen C när verktyget är stillastående
  - släpp spindellåsknappen C
  - ta bort flänsen E
  - ! se till att klämytorna H på flänsarna är helt rena och vända mot klingan
  - öppna nedre skyddet F med spaken G och håll det

medan du monter sågklingan med sågtänder och pilen som är tryckt på sågklingan pekande i samma riktning som pilen på övre skyddet

- släpp nedre skyddet F
- monteringsfläns E
- tryck på spindellåsknappen C medan du drar åt klingbulten med insexnyckeln 1/8 varv mer än fingerkraft (möjliggör slirning av sågklingan vid sågning med hårt sågmotstånd och minskar överbelastning på motorn samt motverkar rekyler)
- släpp spindellåsknappen C
- Justering av sågdjup (0-66 mm) ⑦
  - för en optimal kvalitetssägning bör sågklingan inte sträcka sig mer än 3 mm under arbetsstycket
  - lossa vredet J
  - tryck upp/ned foten K till önskad sågdjup på skalan genom användande av indikatorn L
  - dra åt vredet J
- Indikator för batterinivå ⑧
  - tryck på indikatorknappen AC för batterinivå för att visa aktuell batterinivå ⑧a
  - ! när den lägsta nivån hos batteriindikatorn börjar blinka efter att knappen AC ⑧b tryckts in är batteriet tomt
  - ! när två nivåer av batteriindikatorn börjar blinka efter att knappen AC ⑧c tryckts in är inte batteriet inom tillåtet drifttemperaturområde
- LED-lampa ⑫ V
  - LED-lampa tänds automatiskt när strömbrytaren aktiveras
  - ! när LED-lampan börjar att blinka, är batteriskyddet aktiverat (se nedan)
- Batteriskydd
  - Verktyget stängs plötsligt av eller förhindras från att slås på, när
    - belastningen är alltför hög --> ta bort belastning och starta om
    - batteriets temperatur är inte inom tillåtet drifttemperaturområde på -20 till +50 °C --> två nivåer på batteriindikatorns nivåindikator börjar blinka när knappen AC ⑧c trycks in; vänta tills batteriet har återgått till tillåtet drifttemperaturområde
    - batteriet är nästan tomt (för att skydda mot djup urladdning) --> en låg batterinivå eller blinkande låg batterinivå ⑧b visas av indikatorn för batterinivån när knappen AC trycks in; ladda batteriet
    - ! fortsätt inte trycka på strömbrytaren efter att verktyget stängts av automatiskt; batteriet kan skadas
- Justering av sågvinkel (0-56°) ⑨
  - lossa spaken M
  - luta verktyget till önskad sågvinkel på skalan genom användande av indikatorn N
  - 45 ° fasstopp P erbjuder en snabb inställning av 45 ° fasvinkel
  - för att ställa in en fasvinkel större än 45 °, rotera 45 ° fasstopp P för att ta ut den från indikatorn N
  - dra åt spaken M
  - ! vid fassågning, överensstämmer inte sågdjup med värdet på sågdjupsskalan
- Såglinjeindikator Q ⑩
  - för att styra verktyget längs önskad såglinje markerad på arbetsstycket

- för rak 0° sågning eller 45° vinkelsågning använd angående indikatorlinjen
- ! **den breda delen av foten skall vila på den stödjande delen av arbetsstycket**
- sågbredd är fastställd av bredden på sågtänderna och ej på bredden av klingkroppen
- ! **gör alltid en provsågning först för att fastställa den verkliga såglinjen**
- Dammsugning <sup>(11)</sup>  
Fäst dammsugaradaptorn R på sågen med Phillips huvudskruv  
För användning av dammsugare  
- anslut dammsugarlangan till dammsugaradaptorn R
- ! **låt ej dammsugarlangan hindra undre klingskyddet eller sågarbetet**
- Damppåse  
- monter damppåsen AD
- Använda verktyget  
- montera batteriet  
- håll alltid handtaget S stadigt med ena handen och hantera T stadigt med den andra handen  
- placera verktyg med fotens främre ände plant på arbetsstycket
- ! **se till att sågtänderna ej går emot arbetsstycket**
- slå på verktyget genom att först trycka säkerhetsomkopplaren W framåt och sedan dra i avtryckaren Y
- ! **maskinen skall ha nått max. varvtal innan klingan kommer i kontakt med arbetsstycket**
- det nedre skyddet F öppnas automatiskt när sågklingan kommer i kontakt med arbetsstycket (öppna klingskyddet manuellt genom att föra undan det med spaken G endast för speciell sågning som insticksågning)
- ! **överbelasta inte maskinen (använd lätt och jämnt tryck för att undvika överhettning av klingspetsarna)**
- när du är färdig, stäng av verktyget genom att släppa avtryckaren Y
- ! **försäkra dig om att klingan har stannat helt innan maskinen lyfts från arbetsstycket**

## ANVÄNDNINGSRÅD

- Vänd alltid arbetsstyckets bra sida nedåt för att säkerställa minimal splittring
- Använd endast vassa sågklingor av rätt typ <sup>(13)</sup>  
- sågkvaliteten förbättras med antalet tänder  
- hårdmetallklingor förblir vassa upp till 30 gånger längre än ordinarie klingor
- Korsskärningar/rivskärningar <sup>(14)</sup>  
Korsskärningar eller rivskärningar är lätta att göra med ett parallellanhåll Z.  
- rikta in riktlinjen med 0° såglinjeindikatorn Q på foten  
- sätt in ett parallellanhåll Z genom slitsar på vardera sidan av foten till önskad bredd och säkra med vredet AA
- ! **se till att ripanhållet inte stör den fria rörelsen för det nedre skyddet och sågbladet**
- Insticksågning <sup>(15)</sup>  
- ställ in önskat sågdjup  
- luta verktyget framåt med sågskårans indikator Q i linje med önskad såglinje som finns markerad på arbetsstycket

- öppna nedre skyddet F med spaken G
- strax innan klingan kommer in i arbetsstycket, slå på verktyget och sänk gradvis ned bakre änden av verktyget med den främre änden av foten som gångjärnspunkt
- flytta gradvis verktyget nedåt såväl som framåt
- så fort som sågklingan går in i materialet, släpp spak G
- ! **dra aldrig maskinen bakåt**
- Sågning av stora skivor <sup>(16)</sup>  
- stöd skivan nära snittet antingen på golv, bord eller arbetsbänk
- ! **ställ in sågdjup så att du sågar genom panelen och ej genom stödet**
- om parallellanhållet är för kort för önskad sågbredd ska du klämma eller spika fast en rak träbit på arbetsstycket som ett anhåll och använda vänstra sidan av foten mot anhållet <sup>(17)</sup>
- Skärning med styrskena <sup>(18)</sup> \*INGÅR EJ SOM STANDARD  
Användningen av en styrskena ger exakta, raka, exakta snitt, antingen vid 0° eller 45° fassågningar.  
Innan du gör det första snittet med styrskenan måste gummiläppen anpassas till den använda cirkelsågen.  
- för en rak 0° sågning, rada upp 0° fassida av skenan AE (eller 45° fassidan när du gör en 45° fasad sågning) med önskad skärlinje markerad på arbetsstycket
- säkra styrskenan AE ordentligt på arbetsstycket med hjälp av styrskenas klämmor AF <sup>(18)</sup> \*INGÅR EJ SOM STANDARD
- skjut sågen på skenan AE och vrid vreden för justering av styrspår U medurs för att minimera gapet mellan spåret i foten och det upphöjda revbenet på skenan AE, och se till att sågen kan glida fritt på skenan utan att svänga i sidled.
- när du ställer in sågdjupet kom ihåg att ta hänsyn till tjockleken på styrskenan AE
- styr sågen jämnt med långsam matningshastighet genom rälsens ände
- För mer information se [www.skil.com](http://www.skil.com)


## UNDERHÅLL/SERVICE

- Det här verktyget är inte avsedd för yrkesmässig användning.
- Håll alltid verktyget rent!
- ta bort batteriet från verktyget före rengöring
- Håll alltid området runt det nedre skyddet F <sup>(2)</sup> rent (ta bort damm och spån genom att blåsa bort det med tryckluft eller med en borste)
- Rengör sågklingan omedelbart efter användning (särskilt från harts och lim)
- Om verktyget skulle gå sönder trots den noggrannhet som vidtagits vid tillverkning och testning, bör reparation utföras av ett kundservicecenter för SKIL elverktyg  
- skicka verktyget **odemonterat** tillsammans med inköpsbevis till försäljaren eller till närmaste SKIL serviceverkstad (adresser samt sprängskisser av verktyget finns på [www.skil.com](http://www.skil.com))
- Var medveten om att skada till följd av överbelastning eller felaktig hantering inte täcks av garantin (för SKIL garantivillkor gå till [www.skil.com](http://www.skil.com) eller fråga återförsäljaren)



# MILJÖ

Endast för EU-länder

- Elektriska verktyg, tillbehör och förpackning får inte kastas i hushållssoporna
  - enligt europeiska direktivet 2012/19/EG avseende avfall från elektrisk och elektronisk utrustning och dess tillämpning enligt nationell lagstiftning ska uttjänta elektriska verktyg sorteras separat och lämnas till miljövänlig återvinning
  - symbolen  kommer att påminna om detta när det är dags för avyttring
- ! **före avyttring av batterierna, tejsa kontakttygorna med kraftig tejsa för att undvika kortslutning**

## BULLER/VIBRATION


- Det här verktygets ljudtrycksnivå som uppmätts i enlighet med EN62841 och ljudtrycksnivån för detta verktyg är 91 dB(A) (ljudtrycksnivån 102 dB(A) (osäkerhet K = 3 dB), och vibrationen \* (triaxvektorsumma; osäkerhet K = 1,5 m/s<sup>2</sup>) \* sågning av trä < 2,5 m/s<sup>2</sup>
- Vibrationsemissionsvärdet har uppmätts enligt ett standardiserat test i enlighet med EN 62841; detta värde kan användas för att jämföra vibrationen hos olika verktyg och som en ungefärlig uppskattning av hur stor vibration användaren utsätts för när verktyget används enligt det avsedda syftet
  - om verktyget används för annat arbete än det avsedda syftet eller med fel eller dåligt underhållna tillbehör kan detta drastiskt öka exponeringsnivån
  - när verktyget stängts av eller körs men inte utför arbetet, kan detta avsevärt minska exponeringsnivån
- ! **skydda dig mot effekterna av vibrationer genom att underhålla verktyget och dess tillbehör, hålla händerna varma och organisera ditt arbetsmönster**

DK

## Batteridrevet børstelös rundsav

3571

### INTRODUKTION

- Dette værktøj er beregnet til at udføre længde- og tværsnit af træ med lige snitforløb og geringsvinkler på op til 56°
- Dette værktøj er ikke beregnet til professionelt brug
- Læs og gem denne betjeningsvejledning 

### TEKNISKE DATA

### VÆRKTØJETS DELE

- A Unbrakonøgle
- B Opbevaringsrum til unbrakonøgle
- C Knap til lås af aksel
- D Klingebolt
- E Flange
- F Nedre skærm
- G Håndtag til åbning af nedre skærm
- H Fastspændingsoverflade
- J Knap til indstilling af savdybde

- K Fodplade
  - L Indikator til skæredybde
  - M Håndtag til justering af skærevinkel
  - N Indikator til skærevinkel
  - P 45° skråstøb
  - Q Savlinjeindikator
  - R Støvsugeradapter
  - S Baghåndtag
  - T Forhåndtag
  - U Knopper til justering af styrerille
  - V LED-lys
  - W Sikkerhedsafbryder
  - X Styrerille
  - Y Udløserkontakt
  - Z Sidestyrt
  - AA Skrue til justering af sidestyrt
  - AB Krog
  - AC Batteriniveauidikator
  - AD Støvsuge\*
  - AE Styreskinne\*
  - AF Klemme til styreskinne\*
- \* MEDFØLGER SOM STANDARD IKKE

## SIKKERHED

### GENERELLE SIKKERHEDSADVARSLER OM ELEKTRISKE APPARATER

 **ADVARSEL** Læs alle sikkerhedsadvarsler, instruktioner, billeder og specifikationer, der følger med dette elværktøj. Hvis anvisningerne nedenfor ikke følges, kan det føre til elektrisk stød, brand og/eller alvorlig personskade.

Gem alle advarsler og instruktioner til fremtidig reference.

Udtrykket "elværktøj" i advarslerne henviser til eldrevet (ledningsforbundet) og batteridrevet (ledningsfrit) elværktøj.

#### 1) SIKKERHED PÅ ARBEJDSPLADSEN

- a) **Sørg for, at arbejdsområdet er rent og godt belyst.** Et rodet eller mørkt område kan føre til ulykker.
- b) **Brug ikke elværktøj i eksplosive atmosfærer, såsom ved tilstedeværelse af brændbare væsker, gasser eller støv.** Elværktøj kan slå gnister og antænde støv og dampe.
- c) **Hold børn og tilskuere på afstand, når et elværktøj er i brug.** Distractioner kan medføre, at du mister kontrollen.

#### 2) SIKKERHED OMKRING ELEKTRICITET

- a) **Stikket på elværktøjet skal passe i stikkontakten. Stikket må på ingen måde ændres. Brug ikke adapterstik med jordforbundne (jordforbundne) elværktøj.** Uændrede stik, der passer til stikkontakterne, nedsætter risikoen for elektrisk stød.
- b) **Undgå kropskontakt med jordforbundne overflader, såsom rør, radiatorer, komfurer og køleskabe.** Der er øget risiko for elektrisk stød, hvis din krop er jordforbundet.
- c) **Elværktøj må ikke udsættes for regn eller våde forhold.** Vand kommer ind et elværktøj øger risikoen for elektrisk stød.

- d) **Ledningen må ikke mishandles. Brug aldrig ledningen til at bære eller trække elværktøjet eller til at trække stikket ud af stikkontakten. Hold ledningen væk fra varme, olie, skarpe kanter og bevægelige dele.** Beskadede eller sammenfiltrede ledninger, øger risikoen for elektrisk stød.
- e) **Når et elværktøj bruges udendørs, skal der bruges en forlængerledning, der er egnet til udendørs brug.** Brug af en egnet ledning til udendørs brug, reducerer risikoen for elektrisk stød.
- f) **Hvis det ikke kan undgås at benytte apparatet i fugtige omgivelser, så brug et stik med fejlstrømsrelæ.** Anvendelse af et fejlstrømsrelæ mindsker risikoen for elektrisk stød.

### 3) PERSONLIG SIKKERHED

- a) **Vær forsigtig, hold øje med hvad du laver, og brug din sunde fornuft, når du bruger et elværktøj. Brug ikke apparatet, hvis du er træt eller er påvirket af narkotika, alkohol eller medicin.** Et øjeblikvis uopmærksomhed, kan føre til alvorlige personskader.
- b) **Brug personligt beskyttelsesudstyr. Brug altid beskyttelsesbriller.** Værnemidler, såsom støvmaske, skridsikre sikkerhedssko, hjelm eller høreværn, der anvendes under passende betingelser, nedsætter risikoen for personskade.
- c) **Forhindre utilsigtet start. Sørg for, at tænd/slukknappen er slukket, inden apparatet sluttes til strømkilden eller batteripakken, samt inden det løftes op eller bæres rundt.** Hvis elværktøjer bæres med fingeren på kontakten, eller oplades med tænd/slukknappen tændt, øger det risikoen for ulykker.
- d) **Fjern indstillingsværktøj eller skrueøgler, før elværktøjet startes.** En skrueøgle eller en nøgle sidder i en roterende del af elektrisk værktøj, kan resultere i personskade.
- e) **Undgå at række for langt frem. Sørg altid for at stå ordentligt fast og i god balance.** Dette giver bedre kontrol af det elektriske værktøj når uventede situationer.
- f) **Brug passende tøj. Brug ikke løstsiddende tøj eller smykker. Hold hår og tøj fra bevægelige dele.** Løstsiddende tøj, smykker eller langt hår kan komme i klemme i bevægelige dele.
- g) **Hvis der monteres tilbehør til opsamling af støv eller andet, skal det sikres, at disse monteres og bruges korrekt.** Brug af støvindsamlingsenheder, kan reducere støv-relaterede risici.
- h) **Selvom du ofte bruger og har et godt kendskab til værktøjer, må du ikke være overmodig eller glemme sikkerhedsprincipperne.** En uagtsom handling kan forårsage alvorlig skade i en brøkdél af et sekund.

### 4) BRUG OG PLEJE AF ELVÆRKTØJET

- a) **Elværktøjet må ikke tvinges under brug. Brug det korrekte elværktøj til formålet.** Det rigtige elværktøj gør arbejdet bedre og mere sikkert, da det er beregnet til formålet.
- b) **Brug ikke elværktøjet, hvis kontakten ikke kan tænde og slukke.** Alt elværktøj, hvor kontakterne ikke dur, er farligt og skal repareres.
- c) **Træk stikket til apparatets strømforsyning ud af stikkontakten og/eller fjern batteripakken hvis dette er muligt, inden du foretager justeringer, skifter tilbehør eller lægger elværktøjet til opbevaring.** Sådanne forebyggende sikkerhedsforanstaltninger

mindsker risikoen for at starte elværktøjet utilsigtet.

- d) **Opbevar elværktøj, der ikke bruges, utilgængeligt for børn, og tillad ikke personer, der ikke kender elværktøjet eller disse anvisninger, at bruge elværktøjet.** Elværktøj er farligt i hænderne på brugere, der ikke ved, hvordan det skal bruges.
- e) **Vedligehold elværktøj og tilbehør. Kontroller, at de bevægelige dele ikke er fejljusterede eller binder eller er i en tilstand, der kan påvirke elværktøjets drift. Få beskadede elværktøjet repareret før brug.** Mange ulykker er forårsaget af dårligt vedligeholdt elværktøj.
- f) **Hold skæreværktøj skarpe og rene.** Skæreværktøjer med skarpe kanter, der vedligeholdes ordentligt, er mindre tilbøjelige til at binde og er lettere at styre.
- g) **Elværktøjet, tilbehør og bits osv. skal bruges i overensstemmelse med disse instruktioner, hvor arbejdsforholdene og arbejdet, der skal udføres, skal tages i betragtning.** Anvendelse af elværktøj til andre formål end dem, de er beregnet til, kan medføre en farlig situation.
- h) **Hold håndtag og gribeblader tørre, rene og fri for olie og fedt.** Glatte håndtag og glatte overflader, der holdes i, gør værktøjet farligt at bruge i uventede situationer.

### 5) BATTERIVÆRKTØJETS BRUG OG PLEJE

- a) **Genoplad kun med opladeren er angivet af fabrikanten.** Hvis en oplader, der er egnet til én slags batteri, bruges med en anden slags batteri, kan det føre til brand.
- b) **Anvend kun elektrisk værktøj med særligt udpegede batteripakker.** Brug af andre batterier kan skabe risiko for personskade og brand.
- c) **Når batteriet ikke er i brug, skal den holdes væk fra andre metalgenstande som papirclips, mønter, nøgler, søm, skruer eller andre små metalgenstande, der kan skabe forbindelse fra en pol til en anden.** Shorting batteripolerne sammen kan forårsage forbrændinger eller brand.
- d) **Ved forkert brug kan der slippe væske ud af batteriet: Undgå kontakt. Hvis det alligevel skulle ske, skal området skylles med vand. Hvis væsken kommer i øjnene, skal man søge læge.** Væske fra batteriet kan forårsage irritation eller forbrændinger.
- e) **Anvend ikke et batteri eller et værktøj, der er beskadiget eller modificeret.** Beskadede eller modificerede batterier kan opføre sig uforudsigeligt og forårsage brand, eksplosion eller risiko for personskade.
- f) **Udsæt ikke et batteri eller et værktøj for ild eller for høj temperatur.** Udsættelse for ild eller temperaturer over 130 °C kan forårsage eksplosion.
- g) **Følg alle anvisninger vedrørende opladning, og oplad ikke batteriet eller værktøjet uden for temperaturområdet, der står i anvisningerne.** Forkert opladning eller temperaturer uden for det angivne område kan beskadige batteriet og øge risikoen for brand.
- 6) **SERVICE**
  - a) **Dit elværktøj skal repareres af en kvalificeret person, og der må kun bruges identiske reservedele.** På denne måde sikrer man, at elværktøjet forbliver sikkert at bruge.
  - b) **Udfør aldrig selv service på beskadigede batterier.** Service på batterier må kun udføres af producenten eller



## SIKKERHEDSADVARSLER TIL BATTERDREVNE RUNDSAVE

### 1) SKÆREPROCEDURER

- a) **-FARE: Hold hænder og fødder væk fra skæremrådet og klingens. Hold den anden hånd på støttehåndtag eller på motorkabinetet.** Hvis begge hænder holder på saven, kan de ikke skæres af klingens.
- b) **Ræk ikke ind under emnet.** Skærmen beskytter dig ikke mod klingens under emnet.
- c) **Juster skæredybden, så den passer til emnets tykkelse.** Man skal kunne se mindre en hel tand på klingens under emnet.
- d) **Hold aldrig emnet, der skæres i dine hænder eller over dit ben. Spænd emnet fast til en stabil platform.** Det er vigtigt, at spænde emnet ordentligt fast for, at kroppen ikke er i risiko, og klingens ikke binder eller du mister kontrol over emnet.
- e) **Hold altid kun el-værktøjet i de isolerede gribeblader, når du udfører arbejde, hvor indsatsværktøjet kan ramme bøjede strømledninger eller værktøjets eget kabel** (kontakt med en spændingsførende ledning sætter også metaldele under spænding, hvilket fører til elektrisk stød).
- f) **Når du saver langs årene, skal du altid bruge et sidesstyr eller et lige kantstyr.** Dette forbedrer snittets nøjagtighed og reducerer chancen for at klingens binder.
- g) **Brug altid klingens med et aksehul i den korrekte størrelse og form (diamantformet eller rund).** Klingens, der ikke passer til savens monteringsbeslag, vil køre ujævnt og medføre tab af kontrol.
- h) **Brug aldrig beskadigede eller forkerte klingens eller bolte.** Klingens spændeskiver og bolt er fremstillet særligt til denne sav, så den virker optimal og sikkert.

### 2) ÅRSAGER TIL TILBAGESLAG OG ADVARSLER I FORBINDELSE HERMED

- Tilbageslag er en pludselig reaktion på en fastklemt eller skævt-siddende savklinge, der gør at en ukontrolleret sav slynges opad, ud af emnet og mod brugeren
  - Hvis klingens fastklemmes eller sætter sig fast ved at savsnittet lukker sig, går klingens i stå og motorens reaktionen slynger værktøjet hurtigt tilbage mod brugeren
  - Hvis klingens vrides eller sidder skævt i savsnittet, kan tænderne på klingens bagkant grave sig ind i træets overflade, så klingens slynges ud af savsnittet, og tilbage mod brugeren.
  - Tilbageslag sker hvis elværktøjet misbruges og/eller bruges forkert eller i forkerte forhold. Disse kan undgås ved at tage følgende forholdsregler i brug:
- a) **Hold et fast greb om savens med begge hænder, og placer armene så du modstår kraften fra eventuelle tilbageslag. Sørg for, at din krop er på en af siderne af klingens. Du må ikke være på linje med klingens.** Tilbageslag kan få savens til at springe bagud, men kraften fra tilbageslag kan styres af brugeren, hvis der træffes de rette forholdsregler.
  - b) **Hvis klingens binder, eller hvis skæring af et snit skal afbrydes, skal du slippe aftrækkeren og hold savens ubevægelig i materialet, indtil klingens holder helt op med at dreje. Du må aldrig prøve, at fjerne savens fra emnet eller trække savens bagud, når klingens**

**er i bevægelse, da dette kan føre til tilbageslag.**

Undersøg, hvorfor klingens binder og find en løsning på problemet. Undgå at skære negle eller skruer.

- c) **Hvis savens skal startes, når den er i emnet, skal du sørge for at savklingens er lige i savsnittet, og at savtænderne ikke er i kontakt med emnet.** Hvis en savklinge binder, og savens startes, kan den slynge sig selv opad og give tilbageslag fra emnet.
  - d) **Store pladere skal ses efter, så du minimere risikoen for, at klingens binder og derved giver tilbageslag.** Store pladere har en tendens til, at hænge under deres egen vægt. Sørg for, at sætte nogen under pladens, så den støttes på begge sider, tæt på snittet og pladens kant.
  - e) **Brug ikke sløve eller beskadigede klingens.** Klingens, der ikke er slebet, eller forkert indstillede savklinger laver et smalt savsnit, der binder klingens og kan føre til tilbageslag.
  - f) **Klingens dybde og smigstokkens skal være strammet og fastspændt, før der skæres.** Hvis klingens placering ændre sig under skæringen, kan klingens binde og give tilbageslag.
  - g) **Vær ekstra forsigtig, når du saver i vægge eller andre blinde områder.** Klingens kan skære i genstande, der kan give tilbageslag.
- ### 3) NEDRE SKÆRMFUNKTION
- a) **Kontroller, at den nedre skærm lukker ordentligt før hver brug. Saven må ikke bruges, hvis den nedre skærm ikke bevæger sig frit og ikke lukker med det samme. Den nedre skærm må aldrig tvinges til, at være åben, enten ved at klemme eller fastgøre den.** Hvis savens ved et uheld falder ned, kan det bøje den nedre skærm. Loft den nedre skærm med håndtaget, og sørg for, at den bevæger sig frit og at den ikke rører klingens eller andre dele i nogen vinkler eller dybder.
  - b) **Sørg for, at fjederen på den nedre skærm virker. Hvis skærmens og fjederens ikke virker ordentligt, skal de repareres før brug.** Den nedre skærm virker muligvis trægt på grund af beskadigede dele, gummiølejringer eller ophobning af skidt.
  - c) **Den nedre skærm må kun trækkes tilbage manuelt, når du laver særlige snit, såsom nedskæringer og sammensatte skæringer. Hæv den nederste skærm med håndtaget, og sænk derefter skærmen igen, så snart klingens skærer i emnet.** På alle andre snit skal den nedre skærm virke automatisk.
  - d) **Vær altid opmærksom på, at den nedre skærm dækker klingens helt, inden savens lægges på en bænk eller på gulvet.** En ubeskyttet, fræsersklinge får savens til at save baglæns og save i alt, hvad der er i vejen. Vær opmærksom på den tid, det tager for klingens at stoppe, når du har sluppet aftrækkeren.

## YDERLIGERE SIKKERHEDSADVARSLER

### GENERELT

- Dette værktøj må ikke bruges af personer under 16 år
- Dette værktøj er ikke beregnet til vådskæring
- **Bearbejd ikke asbestholdigt materiale** (asbest er kræftfremkaldende)
- Støv fra materiale som f.eks. maling, der indeholder bly, nogle træsorter, mineraler og metal kan være skadeligt (kontakt med eller indånding af støvet kan

forårsage allergiske reaktioner og/eller sygdomme i luftvejene hos den, der anvender værktøjet, eller hos omkringstående); **bær en støvmaske og arbejd med en støvudsugningsanordning, hvor en sådan kan slutes til**

- Visse slags støv er klassificeret som kræftfremkaldende (som f.eks. støv fra eg og bøg) især i forbindelse med tilsætningsstoffer til træbehandling; **brug en støvmaske og arbejd med en støvudsugningsanordning, hvor en sådan kan slutes til**
- Følg lovgivningen vedrørende støv fra materialerne, du arbejder med
- Denne sav må ikke bruges sammen med et savbord
- Fjern batteriet fra værktøjet, før du foretager justeringer på værktøjet eller udskifter tilbehør

#### TILBEHØR

- SKIL kan kun sikre en korrekt funktion af værktøjet, hvis der benyttes originalt tilbehør
- Brug kun savklinger, der svarer til de tekniske data, der er angivet i denne vejledning, og som er kontrolleret og mærket tilsvarende i henhold til EN 847-1.
- Der må kun benyttes tilbehør, hvis godkendte omdrejningstal er mindst så højt som værktøjets max. omdrejningstal i ubelastet tilstand
- Brug kun savklinger med en min. diameter på 184 mm, en maks. diameter på 184 mm og et hul på 16 mm
- Brug aldrig savklinger, der er fremstillet af højhastighedsstål (HSS)
- Dette værktøj må aldrig bruges med slibe- eller skæreskiver

#### FØR BRUG

- Undgå skader fra skruer, søm eller andre materialer i emnet. Fjern disse før du arbejder med emnet
- Fjern alt, der er i vejen oven på og under skærebåndet, før du begynder at skære
- **Fastgør emnet** (det er sikrere at holde emner i en fastgøringsanordning eller skruestik end med hånden)
- **Anvend egnede søgeinstrumenter til at finde frem til skjulte forsyningsledninger eller kontakt det lokale forsyningselskab** (kontakt med elektriske ledninger kan føre til brand og elektrisk stød; beskadigelse af en gasledning kan føre til eksplosion; brud på et vandrør kan føre til materiel skade eller elektrisk stød)

#### UNDER BRUG

- Støjniveauet ved komme over 85 dB (A). Brug høreværn
- Værktøjet må aldrig bruges uden den originale beskyttelses-skærm
- Forsøg ikke, at save i meget små emner
- Værktøjet må ikke bruges over hovedet
- Hvis værktøjet sætter sig fast eller i tilfælde af elektrisk eller mekanisk fejlfunktion, skal værktøjet straks slukkes og batteriet tages ud.

#### EFTER BRUG

- Før du lægger værktøjet fra dig, skal du slukke for motoren og sikre, at alle bevægelige dele er standstet helt.
- Når du slukker rundsaven, må du aldrig stoppe savklingen ved, at trykke en genstand mod den

#### BATTERIER

- **Det medfølgende batteri er delvist opladet** (for at sikre fuld kapacitet af batteriet skal det oplades helt i batteriopladeren, inden du anvender dit elværktøj første gang)
- **Anvend kun de følgende batterier og batteriopladere, der leveres med dette værktøj**

- SKIL-batteri: BR1\*31\*\*\*\*
- SKIL-oplader: CR1\*31\*\*\*\*

- Brug ikke batteriet, hvis det er beskadiget. Det skal udskiftes
- Adskil ikke batteriet
- Udsæt ikke værktøjet/batteriet for regn
- Tilladt omgivelsestemperatur (værktøj/oplader/batteri):
  - ved opladning 4...40°C
  - ved drift -20...+50°C
  - ved opbevaring -20...+50°C

#### FORKLARING TIL SYMBOLERNE PÅ VÆRKTØJET/ BATTERI

- ③ Læs brugsvejledningen inden brug
- ④ Batterier kan eksplodere, hvis de brændes. Derfor må batterier under ingen omstændigheder brændes
- ⑤ Opbevar værktøj/opladeren/batteriet i et lokale, hvor temperaturen ikke overstiger 50°C
- ⑥ Elværktøj og batterier må ikke bortskaffes som almindeligt affald

#### BRUG

- Oplader batteri  
**! Læs sikkerhedsadvarselne og -anvisningerne, der følger med opladeren**
- Montering/fjernelse af batteriet ②
- Montering af savklinge ②  
**! Fjern batteriet fra værktøjet**
  - tag unbrakonøgle A ud af opbevaringspladsen
  - Tryk på låseknappen til akslen C og hold den nede, mens du fjerner klingebolten (AQ ved, at dreje unbrakonøglen A MOD URET (= i samme retning som pilen, der er på savklingen)
  - ! Tryk kun på låseknappen til akslen C, når værktøjet ikke bevæger sig**
  - Slip låseknappen til akslen C
  - fjern flange E
  - ! Sørg for at flangernes fastspændingsflader H er helt rene og vender mod klingen**
  - Åbn den nedre skærm F med håndtaget G og hold den fast, samtidig med at du monterer savklingen med savtænderne og pilen vendt i samme retning som pilen på den øvre skærm.
  - Slip den nedre skærm F
  - Sæt flangen A på
  - Tryk på låseknappen til akslen C og hold den nede, samtidig med at du spænder klingebolten 1/8 omgang med fingrene (sørg for, at savklingen kan glide, når den udsættes for ekstrem modstand for at reducere motoroverbelastning og tilbageslag)
  - Slip låseknappen til akslen C
- Justering af skæredybden (0-66 mm) ⑦
  - For at lave et godt snit, må savklingen højst stikke 3 mm ud under emnet
  - løsn knoppen J
  - Løft/sænk foden K indtil den ønskede savdybde er sat på skalaen med indikatoren L
  - spænd knoppen J
- Indikator for batteritilstand ⑧
  - Tryk på knappen for batteriniveauet AC for, at se batteriniveauet ⑧a
  - ! Når batteri-indikatorens nederste niveau blinker, når der trykkes på knappen AC ⑧b, er batteriet afladet**

**! Når batteri-indikatoren andet niveau blinker, når der trykkes på knappen AC ⑧c, er batteriet uden for den tilladte driftstemperatur**

• LED-lys ⑫ V

LED-lyset lyser automatisk, når tænd/sluk-knappen tændes

**! Når LED-lyset begynder at blinke, er batteribeskyttelsen slået til (se nedenfor)**

• Batteribeskyttelse

Værktøjet slukker eller det kan ikke tændes, når

- **belastningen er for høj** --> fjern belastningen og start værktøjet igen

- **batteritemperaturen er ikke inden for det tilladte område på -20 til +50 °C** -> 2 af trinene på batteri-indikatoren begynder at blinke, når der trykkes på knappen AC ⑧c. Vent, indtil batteriet er tilbage inden for det tilladte temperaturområde

- **Batteriet næsten er tomt (for at beskytte mod for kraftig afladning)** --> et lavt batteriniveau eller et blinkende lavt batteriniveau ⑧b vises med batteri-indikatoren, når du trykker på knappen AC. Oplad batteriet

**! Undlad at betjene kontakten, efter at der er slukket for værktøjet, da det kan beskadige batteriet**

• Indstilling af savvinklen (0-56°) ⑨

- Løsn håndtaget M

- Vip værktøjet indtil den ønskede savvinkel vises på skalaen med indikatoren N

- Med 45° skråanslaget P kan du hurtigt sætte en skråvinkel på 45°

- for at sætte en skrå vinkel over 45°, skal du dreje skråanslaget P 45°, for at tage det ud af indikatoren N

- Spænd håndtaget M

**! Ved smigskæring, vil savdybden ikke svare til den angivne værdi på savdybdeskalaen**

• Savlinjeindikator Q ⑩

- Bruges til at styre værktøjet langs den ønskede skærelinje, der er markeret på emnet

- For at lave et lige snit på 0° eller et skråt snit på 45°, skal du bruge den pågældende indikatorlinje

**! Den bredeste del af foden bør hvile på den del af arbejdsemnet som har støtte**

**! savbredden er afhængig af bredden på savtænderne og ikke af selve klingens**

**! udfør altid et prøve snit, for at kontrollere den aktuelle savlinje**

• Støvsugning ⑪

Sæt støvsugeradapteren R på saven med en stjerneskruetrækker  
Til brug af støvsuger

- Sæt støvsugerslangen på støvsugeradapteren R

**! Lad aldrig støvsugerslangen komme i kontakt med den nedre skærm eller savningen**

Støvpose

- Monter støvpose AD

• Betjening af værktøjet

- Sæt batteriet i

- Hold altid ordentligt fat i håndtaget S med den ene hånd og håndtag T fast med den anden hånd

- Placer værktøj med forenden af foden fladt på emnet

**! Sørg for at savtænderne ikke sætter sig i arbejdsemnet**

- tænd værktøjet ved først at trykke på

sikkerhedsafbryderen W og derefter trykke på start-knappen Y

**! Værktøjet skal køre med max. hastighed inden savklingen rører emnet**

- Den nedre skærm F åbnes automatisk når savklingen rører arbejdsemnet (hæv kun skærmen manuelt med håndtaget G, hvis du skal lave særlige snit, f.eks. et dyksnit)

**! overbelast ikke værktøjet (anvend et let og vedvarende tryk for at undgå overophedning af savklinger)**

- Når du er færdig med savningen, skal du slukke værktøjet ved at slippe tænd/sluk-knappen Y

**! Vær sikker på, at savklingen står fuldstændigt stille, før du løfter værktøjet væk fra arbejdsemnet**

## GODE RÅD

• Sørg altid for, at emnets gode side vender nedad, så du undgår splinter.

• Brug kun skarpe savklinger af den rigtige type ⑬

- Snitkvaliteten forbedres med antallet af tænder

- Savklinger af hård metal holder sig skarpe op til 30 gange længere end alm. klinger

• Tværslit/snit langs årene ⑭

Tværsnit og snit langs årene er nemme at lave med et sidestyre Z.

- Sæt ledelinjen ud for snitlinjeindikatoren 0° Q på foden

- Sæt et sidestyre Z i rillerne på hver side af foden til den ønskede bredde, og spænde dem fast med knoppen AA

**! Sørg for, at kantstyret til snit langs årene ikke forstyrrer den frie bevægelse af den nedre skærm og savklingen**

• Dyksavning ⑮

- indstil den ønskede skæredybde

- Vip værktøjet fremad med savlinje-indikatoren Q på linje med den ønskede savlinje, der er markeret på arbejdsemnet

- Åbn den nedre skærm F med håndtaget G

- Lige før klingens rammer emnet, skal du tænde værktøjet og gradvist sænke bagenden af værktøjet

med forenden af foden som hængsel punkt

- Flyt gradvist værktøjet nedad og fremad

- Slip håndtaget G, så snart savklingen rører arbejdsemnet

**! Før aldrig værktøjet bagover**

• Savning af store emner ⑯

- Støt panelet tæt på snittet enten på gulvet, bordet eller arbejdsbænken

**! Indstil savdybden således at du sår gennem emnet og ikke gennem det som støtter emnet**

- hvis parallelstyret ikke er langt nok til den ønskede savbredde, fastgøres et lige stykke træ på arbejdsemnet som styr, og venstre side af foden

anbringes imod dette styr ⑰

• Skæring med styreskinne ⑱ \*FØLGER SOM

STANDARD IKKE MED

Når du bruger en styreskinne, får du præcise og lige snit på skråsnit på 0° og 45°.

Før du laver det første snit med styreskinnen, skal gummikanten tilpasses rundsaven.

- For at lave et lige snit på 0°, skal du sætte skinnens

AE skråsnit til 0° (eller 45°, hvis du vil lave et skråsnit på 45°) til den ønskede skærelinje, der er markeret på emnet

- Spænd styreskinnen AE fast på emnet med klemmerne dertil AF <sup>®</sup>\*FØLGER SOM STANDARD IKKE MED
- Tryk saven ind i skinnen AE og drej knopperne, for at justere styrerillen U med uret, så afstanden mellem rillen i foden og den hævede ribbe på skinnen AE minimeres. Sørg for at saven kan glide frit på skinnen, uden at svinge sidelæns.
- Husk at tage højde for styreskinnens AE tykkelse, når skæredybden indstilles
- Før saven langsom og jævnt frem til enden af skinnen
- Se yderligere oplysninger på [www.skil.com](http://www.skil.com)

## VEDLIGEHOLDELSE/SERVICE

- Dette værktøj er ikke beregnet til professionelt brug
- Hold altid værktøjet rent!  
**! tag batteriet ud af værktøjet inden rengøring**
- Hold altid området omkring den nederste afskærmning F <sup>②</sup> rent (fjern støv og spåner ved at blæse det ud med trykluft eller med en børste)
- Rengør savklingen umiddelbart efter brug (især for harpiks og lim)
- Skulle elværktøjet trods omhyggelig fabrikation og kontrol skulle holde op med at fungere, skal reparationen udføres af et autoriseret serviceværksted for SKIL-elektroværktøj
  - send det ikke **adskilte** værktøj sammen med et købsbevis til forhandleren eller nærmeste SKIL-serviceværksted (adresser og reservedelstegning af værktøjet findes på [www.skil.com](http://www.skil.com))
- Husk, at beskadigelse som følge af overbelastning eller forkert håndtering af værktøjet ikke er omfattet af garantien (se [www.skil.com](http://www.skil.com) vedrørende SKIL-garantibetingelserne, eller spørg din forhandler)

## MILJØ

Kun for EU-lande

- **Elværktøj, tilbehør og emballage må ikke bortskaffes som almindeligt affald**
  - i henhold til det europæiske direktiv 2012/19/EF om bortskaffelse af elektriske og elektroniske produkter og gældende national lovgivning, skal brugt elværktøj indsamles separat og bortskaffes på en måde, der skåner miljøet mest muligt
  - symbolet <sup>⑥</sup> erindr dig om dette, når udskiftning er nødvendig
- ! Beskyt batteri terminaler med bredt tape for at undgå kortslutning**

## STØJ/VIBRATION

- Lydtrykket for dette værktøj er 91 dB(A), som er målt i henhold til EN 62841 og lydstyrken er 102 dB(A) (usikkert K = 3 dB), og vibrationen \* (triax-vektorsum; usikkert K = 1,5 m/s<sup>2</sup>) \* skæring af træ < 2,5 m/s<sup>2</sup>
- Vibrationsniveauet er målt i henhold til den standardiserede test som anført i EN 62841. Det kan benyttes til at sammenligne to stykker værktøj og som en foreløbig bedømmelse af udsættelsen for vibrationer, når værktøjet anvendes til de nævnte form
  - anvendes værktøjet til andre formål eller med andet eller dårligt vedligeholdt tilbehør, kan dette øge

udsættelsesniveauet betydeligt

- de tidsrum, hvor værktøjet er slukket, eller hvor det kører uden reelt at udføre noget arbejde, kan reducere udsættelsesniveauet betydeligt

**! Beskyt dig selv imod virkningerne af vibrationer ved at vedligeholde værktøjet og dets tilbehør, ved at holde dine hænder varme og ved at organisere dine arbejdsmonstre**

N

## Børsteløs trådløs sirkelsag

3571

## INTRODUKSJON

- Dette værktøjet er beregnet for langsgående og tværgående saging av tre med rette snitt så vel gjæringsvinkel opp til 56°
- Dette værktøjet er ikke beregnet for profesjonell bruk
- Les og lagre denne bruksanvisningen <sup>③</sup>

## TEKNISKE DATA <sup>①</sup>

## VERKTØYELEMENTER <sup>②</sup>

- A** Sekskantnøkkel
  - B** Oppbevaring for sekskantnøkkel
  - C** Spindelåseknapp
  - D** Bladbolt
  - E** Flens
  - F** Underskjerm
  - G** Hendel til åpning av underskjerm
  - H** Oppspenningsflate
  - J** Knapp for innstilling av kuttedybde
  - K** Fotplate
  - L** Skjæredybdeindikator
  - M** Spak for justering av skjærevinkel
  - N** Skjærevinkelindikator
  - P** 45° skråstopp
  - Q** Saglinje-indikator
  - R** Støvsugeradapter
  - S** Bakre håndtak
  - T** Fremre håndtak
  - U** Knott for justering av trådslisse
  - V** LED lys
  - W** Sikkerhetsbryter
  - X** Trådslisse
  - Y** Utløserbryter
  - Z** Parallellføring
  - AA** Knott for justering av parallellføring
  - AB** AKrok
  - AC** Batterinivåindikator
  - AD** Støpse\*
  - AE** Sidespor\*
  - AF** Sidesporlemme\*
- \* IKKE STANDARD INKLUDERT

## SIKKERHET

### GENERELLE SIKKERHETSADVARSLER FOR ELEKTROVERKTØY

**⚠ ADVARSEL** Les alle sikkerhetsadvarsler, instruksjoner, illustrasjoner og spesifikasjoner som følger med dette elektroverktøyet. Hvis du ikke følger alle instruksjonene nedenfor, kan det føre til elektrisk støt, brann og/eller alvorlig personskade.

**Lagre alle advarsler og instruksjoner for fremtidig referanse.**

Betegnelsen "elektroverktøy" i advarslene refererer til elektroverktøy som kobles til strømmettet (med ledning), eller batteridrevet (trådløst) elektroverktøy.

### 1) SIKKERHET I ARBEIDSRÅDET

- Hold arbeidsområdet rent og godt opplyst.** Rotete eller mørke områder gjør at ulykker lettere oppstår.
- Ikke bruk maskinen i eksplosjonsfarlige omgivelser, for eksempel der det finnes brennbare væsker, gasser eller støv.** Elektroverktøy lager gnister som kan antenne støv eller damp.
- Hold barn og andre personer unna når elektroverktøyet er i bruk.** Distraksjoner kan føre til at du mister kontrollen.

### 2) ELEKTRISK SIKKERHET

- Støpselet til elektroverktøyet må passe inn i stikkkontakten. Støpselet må ikke modifiseres på noen som helst måte. Ikke bruk adapterstøpsler sammen med jordede elektroverktøy.** Støpsler det ikke er gjort endringer med og riktige stikkontakter reduserer risikoen for elektrisk støt.
- Unngå kroppskontakt med jordede eller jordede overflater som rør, radiatorer, avstander og kjøleskap.** Det er økt risiko for elektrisk støt hvis kroppen din er jordet.
- Ikke utsett elektroverktøyet for regn eller våte omgivelser.** Kommer det vann inn i et elektroverktøy, øker risikoen for elektrisk støt.
- Ikke utsett ledningen for feil behandling. Unngå å bære eller dra i verktøyet ved hjelp av ledningen, eller å dra i ledningen når du skal ta verktøyet ut av stikkkontakten. Hold ledningen på avstand fra varme, olje, skarpe kanter og bevegelige deler.** Skadede eller sammenfiltrede ledninger øker risikoen for elektriske støt.
- Når du bruker et elektroverktøy utendørs må du bruke skjøteledning som er godkjent for dette.** Bruk av ledning som er egnet for utendørs bruk reduserer risikoen for elektrisk støt.
- Hvis du ikke kan unngå å bruke verktøyet i fuktige omgivelser, så benytt en jordfeilbryter.** Bruk av jordfeilbryter reduserer risikoen for elektrisk støt.

### 3) PERSONLIG SIKKERHET

- Vær årvåken, se hva du gjør, og følg sunn fornuft når du bruker et elektroverktøy. Ikke bruk elektroverktøy når du er trøtt eller er påvirket av narkotika, alkohol eller medikamenter.** Et øyeblikks uoppmerksomhet mens du bruker elektroverktøy kan føre til alvorlige personskader.
- Bruk personlig verneutstyr. Bruk alltid vernebriller.** Verneutstyr som støvmaske, sklisikre vernesko, hjelm eller hørselsvern når omgivelsene krever det, reduserer risikoen for personskader.
- Forhindre utilsikket start. Pass på at bryteren er i av-stilling før du kobler til strømkilden og/eller**

**batteripakken, eller når du løfter og bærer verktøyet.**

Å bære elektroverktøy med fingeren på bryteren eller koble til strøm når bryteren er på, skaper farlige situasjoner som kan føre til ulykker.

- Fjern eventuelle justeringsnøkler før du slår på elektroverktøyet.** Et verktøy eller en nøkkel som sitter igjen i en roterende del av elektroverktøyet, kan føre til personskade.
  - Ikke strekk deg over rekkevidde. Pass på å ha skikkelig fotfeste og balanse til enhver tid.** Dette muliggjør bedre kontroll over elektroverktøyet i uventede situasjoner.
  - Kle deg riktig. Ikke bruk løse klær eller smykker. Hold hår og klær på avstand fra bevegelige deler.** Løse klær, smykker eller langt hår kan vikle seg inn i deler som beveger seg.
  - Hvis det følger med utstyr for tilkopping av støvavsug og oppsamlingsutstyr, skal disse kobles til og brukes riktig.** Bruk av støvopsamlingsutstyr kan redusere støvrelaterte farer.
  - Selv om du har opparbeidet deg erfaring gjennom hyppig bruk av verktøyet må du alltid være årvåken og følge sikkerhetsinstruksjonene.** En uforsiktig handling kan forårsake alvorlig skade i løpet av en brøkdel av et sekund.
- ### 4) BRUK OG VEDLIKEHOLD AV ELEKTROVERKTØY
- Ikke legg press på elektroverktøyet. Bruk et elektroverktøy som er egnet for det du skal gjøre.** Et egnet elektroverktøy vil gjøre jobben på en bedre og tryggere måte, i den hastigheten verktøyet er konstruert for.
  - Ikke bruk elektroverktøyet hvis bryteren ikke slår det på og av.** Elektroverktøy som ikke kan kontrolleres med bryteren er farlig og må repareres.
  - Koble støpselet fra strømkilden og/ eller fjern batteripakken, hvis den kan tas av, fra verktøyet før du foretar justeringer, skifter tilbehør eller lagrer elektroverktøyet.** Slike forebyggende sikkerhetstiltak reduserer risikoen for at det elektriske verktøyet starter utilsikket.
  - Oppbevar elektroverktøyet utilgjengelig for barn, og ikke la personer som ikke er kjent med verktøyet eller disse instruksjonene, betjene maskinen.** Elektroverktøy er farlige når de brukes av uerfarne personer.
  - Elektroverktøy og tilbehør må vedlikeholdes. Se etter feiljusteringer eller oppbinding av bevegelige deler, skadede deler og eventuelle andre forhold som kan påvirke elektroverktøyet funksjon. Hvis det er skadet, må elektroverktøyet repareres før bruk.** Mange ulykker forårsakes av elektroverktøy som ikke er godt vedlikeholdt.
  - Hold skjæreverktøyet skjerpet og rent.** Riktig vedlikehold av skjæreverktøy med skarpe kanter gjør at det er mindre sannsynlighet for oppbinding, og at det er lettere å kontrollere.
  - Bruk elektroverktøyet, tilbehøret og verktøybitene etc., i samsvar med disse instruksjonene, av hensyn til arbeidsforholdene og arbeidet som skal utføres.** Bruk av elektroverktøy til andre formål enn det som er angitt, kan føre til farlige situasjoner.
  - Hold håndtakene og gripeflatene tørre, rene og fri for olje og fett.** Glatte håndtak og gripeflater vil gjøre det



vanskelig å kontrollere verktøyet og håndtere det på en sikker måte i uventede situasjoner.

## 5) BRUK OG VEDLIKEHOLD AV BATTERIVERKTØY

- a) **Lades bare med ladere som er spesifisert av produsenten.** En lader som passer for én type batteripakke, kan gi brannfare dersom den brukes med andre batteripakker.
  - b) **Elektroverktøyet skal bare brukes med spesifiserte batteripakker.** Bruk av andre batteripakker kan skape risiko for skader og brann.
  - c) **Når batteripakken ikke er i bruk, må du holde den borte fra andre metallgjenstander som binders, mynter, nøkler, spiker, skruer eller andre små metallgjenstander som kan opprette forbindelse fra en terminal til en annen.** Kortslutning av batteripolene kan forårsake brannskader eller brann.
  - d) **Under farlige forhold kan væske komme ut av batteriet. Unngå kontakt. Hvis kontakt oppstår ved et uhell, skyll med vann. Får du væske i øynene, skal det i tillegg søkes medisinsk hjelp.** Væske som blir slynget ut av batteriet, kan forårsake irritasjon eller brannskår.
  - e) **Ikke bruk en batteripakke eller et verktøy som er skadet eller tilpasset.** Skadde eller modifiserte batterier kan oppføre seg uforutsigbart og medføre brann, eksplosjon eller risiko for personskade.
  - f) **Ikke eksponer batteripakken eller verktøyet for ild eller svært høye temperaturer.** Eksponering for ild eller temperaturer over 130 °C kan forårsake eksplosjon.
  - g) **Følg alle ladeinstruksjonene, og ikke lad batteripakken eller verktøyet utenfor temperaturområdet som er angitt i instruksjonene.** Feil lading eller ved temperaturer utenfor spesifisert område kan skade batteriet og øke risikoen for brann.
- ## 6) SERVICE
- a) **Elektroverktøyet må repareres av et kvalifisert serviceverksted som kun bruker identiske reservedeler.** Dette opprettholder sikkerheten til elektroverktøyet.
  - b) **Batteripakker som er skadet, må aldri brukes.** Service på batteripakker må bare utføres av produsenten eller autoriserte tjenesteleverandører.

## SIKKERHETSADVARSLER FOR TRÅDLØSE SIKKELSAGER

### 1) SKJÆREPROSEDYRER

- a) **FARE: Hold hendene unna skjæreamrådet og bladet. Hold den andre hånden på hjelpehåndtaket eller motorhuset.** Hvis begge hender holder sagen, kan de ikke kuttes av bladet.
- b) **Ikke ta under arbeidsstykket.** Beskyttelsen kan ikke beskytte deg mot bladet under arbeidsstykket.
- c) **Juster skjæredybden til tykkelsen på arbeidsstykket.** Mindre enn en full tann av bladtennene skal være synlige under arbeidsstykket.
- d) **Hold aldri arbeidsstykket som kuttes i hendene eller over benet. Fest arbeidsstykket til en stabil plattform.** Det er viktig å støtte arbeidet riktig for å minimere kroppseksponering, bladbinding eller tap av kontroll.
- e) **Ta kun tak i elektroverktøyet på de isolerte**

### gripeflatene, hvis du utfører arbeid der innsatsverktøyet kan treffe på skjulte

### strømledninger eller den egne strømledningen

(kontakt med en spenningsførende ledning setter også elektroverktøyet metalldelene under spenning og fører til elektriske støt)

- f) **Når du river, bruk alltid en parallellføring eller rettkantføring.** Dette forbedrer skjæringsnøyaktigheten og reduserer sjansen for at bladet binder seg.
- g) **Bruk alltid blader med riktig størrelse og form (diamant versus runnpå dornehull.** Blader som ikke samsvarer med festemaskinvaren på sagen, vil løpe utenfor senteret og forårsake tap av kontroll.
- h) **Bruk aldri skadete eller feil skiver eller bolter.** Bladskivene og boltene er spesialdesignet for sagen din, for optimal ytelse og driftssikkerhet.

## 2) TILBAKESLAGÅRSAK OG RELATERTE ADVARSLER

- **Tilbakeslag er en plutselig reaksjon på et sammenklemt, fastklemt eller feiljustert sagblad, som får en ukontrollert sag til å løfte seg opp og ut av arbeidsstykket mot operatøren**
  - **Når bladet blir klemt eller tett fast ved at snittet lukker seg, stopper bladet og motorreaksjonen driver enheten raskt tilbake mot operatøren**
  - **Hvis bladet blir vridd eller feiljustert i snittet, kan tennene på bakkanten av bladet grave seg inn i den øvre overflaten av treet og få bladet til å klatre ut av snittet og hoppe tilbake mot operatøren**
  - **Tilbakeslag er et resultat av feil bruk av elektroverktøy og/eller feil bruksprosedyrer eller forhold og kan unngås ved å ta de nødvendige forholdsregler som angitt nedenfor.**
- a) **Hold et fast grep med begge hender på sagen og plasser armene dine for å motstå tilbakeslagskrefter. Plasser kroppen på hver side av bladet, men ikke på linje med bladet.** Tilbakeslag kan føre til at sagen hopper bakover, men tilbakeslagskrefter kan kontrolleres av operatøren, hvis det tas passende forholdsregler.
  - b) **Når bladet bindes, eller når du avbryter et kutt av en eller annen grunn, slipper du avtrekkeren og holder sagen ubevegelig i materialet til bladet stopper helt. Forsøk aldri å fjerne sagen fra arbeidet eller trekk sagen bakover mens bladet er i bevegelse, ellers kan det oppstå tilbakeslag.** Undersøk og iverksett korrigerende tiltak for å eliminere årsaken til at bladet binder seg. Unngå å kutte spiker eller skruer.
  - c) **Når du starter en sag i arbeidsstykket på nytt, sentrer sagbladet i snittet og kontroller at sagtennene ikke går i inngrep i materialet.** Hvis sagbladet binder seg, kan det gå opp eller kastes tilbake fra arbeidsstykket når sagen startes på nytt.
  - d) **Støtt store paneler for å minimere risikoen for klemming av kniv og tilbakeslag.** Store paneler har en tendens til å falle under sin egen vekt. Støtter må plasseres under panelet på begge sider, nær snittlinjen og nær kanten av panelet.
  - e) **Ikke bruk sløve eller ødelagte kniver.** Uslipte eller feil innstilte kniver gir smale rifler som forårsaker overdreven friksjon, bladbinding og tilbakeslag.
  - f) **Knivdybde og skråjusterende låsehendler må være stramme og sikre før du skjærer.** Hvis bladjusteringen skifter mens du skjærer, kan det føre til binding og tilbakeslag.
  - g) **Vær ekstra forsiktig når du sager inn i eksisterende**



**vegger eller andre blinde områder.** Det utstikkende bladet kan kutte gjenstander som kan forårsake tilbakeslag.

### 3) NEDRE VAKTFUNKSJON

- a) **Kontroller at den nedre dekkelet er riktig lukket før hver bruk. Ikke bruk sagen hvis den nedre beskyttelsen ikke beveger seg fritt og lukkes umiddelbart. Klem eller fest aldri den nedre beskyttelsen i åpen stilling.** Hvis sagen mistes ved et uhell, kan den nedre beskyttelsen bli bøyd. Løft den nedre beskyttelsen med det tilbaketrekkelige håndtaket, og pass på at den beveger seg fritt og ikke berører bladet eller andre deler i alle vinkler og dybder.
- b) **Kontroller funksjonen til den nedre beskyttelsesfjæren. Hvis beskyttelsen og fjæren ikke fungerer som den skal, må de repareres før bruk.** Nedre beskyttelse kan fungere tregt på grunn av skadede deler, gummiaktige avleiringer eller opphopning av rusk.
- c) **Nedre beskyttelse skal bare trekkes inn manuelt for spesielle kutt som dykkutt og sammensatte kutt. Hev den nedre beskyttelsen ved å trekke inn håndtaket, og så snart bladet kommer inn i materialet, må det nedre vernet løses.** For all annen saging skal den nedre beskyttelsen fungere automatisk.
- d) **Vær alltid oppmerksom på at den nedre beskyttelsen dekker bladet før du legger sagen ned på benk eller gulv.** Et ubeskyttet, skjærende blad vil få sagen til å gå bakover og kutte det som er i veien. Vær oppmerksom på tiden det tar før bladet stopper etter at bryteren slippes.

## EKSTRA SIKKERHETSADVARSLER

### GENERELL

- Dette verktøyet bør ikke brukes av personer under 16 år
- Dette verktøyet er ikke egnet for våtskjæring
- **Ikke bruk materialer som inneholder asbest** (asbest regnes som kreftfremkallende)
- Støv fra materialer som maling som inneholder bly, enkelte tresorter, mineraler og metall kan være skadelig (kontakt med eller innånding av støvet kan forårsake allergiske reaksjoner og/eller luftveissykdommer hos operatøren eller tilskuere); **bruk støvmaske og arbeid med en støvsugingsenhet når den kan kobles til**
- Visse typer støv er klassifisert som kreftfremkallende (som eik- og bøkstøv), spesielt i forbindelse med tilsetningsstoffer for trebehandling; **bruk støvmaske og arbeid med en støvsugingsenhet når den kan kobles til**
- Følg de støvrelaterte nasjonale kravene for materialene du ønsker å jobbe med
- Ikke bruk denne sagen i kombinasjon med en bordsag
- Fjern batteriet fra verktøyet før du foretar noen justeringer eller endrer tilbehør

### TILBEHØR

- SKIL kan kun sikre feilfri funksjon av verktøyet når originalt tilbehør brukes
- Bruk kun sagblad som samsvarer med de karakteristiske dataene gitt i denne bruksanvisningen og som er testet og merket i henhold til EN 847-1
- Bruk kun tilbehør med en tillatt hastighet som tilsvarer minst den høyeste tomgangshastigheten til verktøyet
- Bruk kun sagblad med en minimumsdiameter på 184

mm, en maksimal diameter på 184 mm og et spindelhull på 16 mm

- Bruk aldri sagblad laget av høyhastighetsstål (HSS)
- Bruk aldri slipe-/kappeskiver med dette verktøyet

### FØR BRUK

- Unngå skader som kan forårsakes av skruer, spiker og andre elementer i arbeidsstykket ditt; fjern dem før du begynner å jobbe
- Fjern alle hindringer på toppen av og under skjærebanelen før du begynner å skjære
- **Sikre arbeidsstykket** (et arbeidsstykke som er fastklemmet med klemanordninger eller i en skrustikke holdes sikrere enn for hånd)
- **Bruk egnede detektorer for å finne skjulte ledninger eller ring det lokale forsyningselskapet for å få hjelp** (kontakt med elektriske ledninger kan føre til brann eller elektrisk støt; skade på en gassledning kan resultere i en eksplosjon; penetrering av et vannrør vil forårsake skade på eiendom eller en elektrisk sjokk)

### UNDER BRUK

- Støynivået under arbeid kan overskride 85 dB(A); bruk hørselvern
- Bruk aldri verktøyet uten det originale beskyttelsessystemet
- Ikke forsøk å kutte ekstremt små materialer
- Ikke før sagen over hodet
- Ved fastkjøring eller elektrisk eller mekanisk feil, slå av verktøyet umiddelbart og ta ut batteriet

### ETTER BRUK

- Når du legger fra deg verktøyet, slå av motoren og sørg for at alle bevegelige deler har stoppet helt
- Etter at du har slått av sagen, må du aldri stoppe bladrotasjonen ved å føre en gjenstand mot bladet

### BATTERIER

- **Batteriet som følger med er delvis ladet** (for å sikre full kapasitet på batteriet må du lade batteriet helt i batteriladeren før du bruker verktøyet for første gang)
- **Bruk kun følgende batterier og ladere med dette verktøyet**
  - SKIL-batteri: BR1\*31\*\*\*\*
  - SKIL-lader: CR1\*31\*\*\*\*
- Ikke bruk batteriet når det er skadet; den bør byttes ut
- Ikke demonter batteriet
- Ikke utsett verktøyet/batteriet for regn
- Tillatt omgivelsestemperatur (verktøy/lader/batteri):
  - ved lading 4...40°C
  - ved drift -20...+50°C
  - ved lagring -20...+50°C

### FORKLARING AV SYMBOLER PÅ VERKTØY/BATTERI

- ③ Les bruksanvisningen for bruk
- ④ Batterier kan eksplodere når de kastes i brann, så ikke brenn batteriet uansett årsak
- ⑤ Oppbevar verktøy/lader/batteri på steder der temperaturen ikke overstiger 50 °C
- ⑥ Ikke kast elektrisk verktøy og batterier sammen med husholdningsavfall

## BRUK

- Lader batteri
- **! les sikkerhetsadvarslene og instruksjonene som følger med laderen**
- Fjerne/installere batteriet ②

- Montering av sagblad ②
  - ! **ta batteriet ut av verktøyet**
  - ta unbrakonøkkel A fra lager B
  - trykk på spindellåseknappen C og hold den mens du fjerner bladbolten D ved å vri sekskantnøkkel A MOT URVISEREN (= i samme retning som pilen trykket på sagbladet)
  - ! **trykk kun spindellåseknappen C når verktøyet står stille**
  - frigjør spindellåseknappen C
  - fjern flens E
  - ! **sørg for at klemflatene H på flensene er helt rene og vender mot bladet**
  - åpne nedre beskyttelse F med spak G og hold den mens du monterer sagblad med sagtenner og pil trykket på sagbladet peker i samme retning som pilen på nedre beskyttelse
  - slipp nedre beskyttelse F
  - monter flens E
  - trykk på spindellåseknappen C og hold den mens du strammer til bladbolten med sekskantnøkkel 1/8 omdreining forbi fingerstram (sikrer at sagbladet glipper når det møter for stor motstand, og reduserer dermed motoroverbelastning og tilbakeslag)
  - frigjør spindellåseknappen C
- Justering av skjæredybde (0-66 mm) ⑦
  - for et optimalt kvalitetssnitt bør sagbladet ikke strekke seg mer enn 3 mm under arbeidsstykket
  - løsne J-knotten
  - hev/senk fot K til ønsket skjæredybde er stilt inn på skalaen ved hjelp av indikator L
  - stram J-knotten
- Batterinivåindikator ⑧
  - trykk på batterinivåindikatorknappen AC for å vise gjeldende batterinivå ⑧a
  - ! **når det laveste nivået på batteriindikatoren begynner å blinke etter å ha trykket på knappen AC ⑧b, er batteriet tomt**
  - ! **når 2 nivåer av batteriindikatoren begynner å blinke etter å ha trykket på knappen AC ⑧c, er batteriet ikke innenfor det tillatte driftstemperaturområdet**
- LED-lys ⑫ V
  - LED-lys tennes automatisk når av/på-bryteren aktiveres
  - ! **når LED-lyset begynner å blinke, er batteribeskyttelsen aktivert (se nedenfor)**
- Batteribeskyttelse
  - Verktøyet blir plutselig slått av eller forhindret fra å slås på, når
    - **lasten er for høy** --> fjern lasten og start på nytt
    - **batteritemperaturen er ikke innenfor det tillatte driftstemperaturområdet på -20 til +50°C** --> 2 nivåer av batterinivåindikatoren begynner å blinke når du trykker på knappen AC ⑧c; vent til batteriet er tilbake innenfor det tillatte driftstemperaturområdet
    - **batteriet er nesten utladet (til vern mot dype utladninger)** --> et lavt batterinivå eller blinkende lavt batterinivå ⑧b vises av batterinivåindikatoren når du trykker på knappen AC; ladebatteri
  - ! **ikke fortsett å trykke på av/på-bryteren etter at verktøyet er slått av automatisk; batteriet kan være skadet**
- Justere skjærevinkel (0-56°) ⑨

- løsne spaken M
- vipp verktøyet til ønsket skjærevinkel er stilt inn på skalaen ved hjelp av indikator N
- 45° skråstopp P gir en rask innstilling av 45° skråvinkel
- for å stille inn en skråvinkel større enn 45°, roter 45° skråstoppet P for å ta den ut fra indikatoren N
- stram spaken M
- ! **ved skråskjæring samsvarer ikke skjæredybden med verdien på skjæredybdeskalaen**
- Klipplinjeindikator Q ⑩
  - for å styre verktøyet langs ønsket snittlinje markert på arbeidsstykket
  - for rett 0° kutt eller 45° skråsnitt, bruk den aktuelle indikatorlinjen
  - ! **den brede delen av foten skal hvile på den støttede delen av arbeidsstykket**
  - ! **skjærebredden bestemmes av bredden på knivtennene og ikke av bredden på knivkroppen**
  - ! **foreta alltid prøvecutt først for å verifisere den faktiske kuttlinjen**
- Støvsuging ⑪
  - Fest støvsugeradapteren R til sagen med Phillips-skrue
  - For bruk av støvsuger
    - koble støvsugerslangen til støvsugeradapter R
    - ! **la aldri støvsugerslangen forstyrre det nedre dekeleat eller kutteoperasjonen**
  - Støvpose
    - monter støvpose AD
- Betjening av verktøyet
  - monter batteri
  - hold alltid håndtak S godt med den ene hånden og håndtak T med den andre hånden
  - plasser verktøyet med forenden av foten flatt på arbeidsstykket
  - ! **sørg for at sagtennene ikke griper inn i arbeidsstykket**
  - slå på verktøyet ved først å trykke på sikkerhetsbryteren W og deretter trekke i avtrekker Y
  - ! **verktøyet skal gå i full hastighet før bladet går inn i arbeidsstykket**
  - nedre beskyttelse F åpnes automatisk når sagbladet går inn i arbeidsstykket (åpne nedre beskyttelse manuelt ved å bruke spak G kun for spesielle kutt som dykkutt)
  - ! **ikke tving verktøyet (påfør lett og kontinuerlig trykk for å unngå overoppheting av knivspissene)**
  - etter å ha fullført kuttet, slå av verktøyet ved å slippe utløser Y
  - ! **sørg for at bladet har stoppet helt før du løfter verktøyet fra arbeidsstykket**

## BRUKSSRÅD

- Legg alltid den gode siden av arbeidsstykket ned for å sikre minst mulig splinting
- Bruk kun skarpe sagblad av riktig type ⑬
  - kuttkvaliteten forbedres med antall tenner
  - kniver med karbidspiss holder seg skarpe opptil 30 ganger lenger enn vanlige kniver
- Tverrkutt/kløykkutt ⑭
  - Tverrkutt eller kløykkutt kan gjøres enkelt med en parallelføring Z.
  - juster retningslinjen med 0° saglinje-indikatoren Q på foten

- sett inn en parallellføring Z gjennom spor i hver side av foten til ønsket bredde og fest med knotten AA
- ! **sikre at sidestilleren ikke forstyrrer fri bevegelse av underskifteren og sagbladet**
- Dykkskjæring <sup>15</sup>
  - still inn ønsket skjæredybde
  - vipp verktøyet fremover med skjærelinjeindikator Q på linje med ønsket snittlinje markert på arbeidsstykket
  - åpne nedre beskyttelse F med spak G
  - like før bladet går inn i arbeidsstykket, slå på verktøyet og senk gradvis bakenden av verktøyet ved å bruke forenden av foten som hengselpunkt
  - beveger verktøyet gradvis nedover og fremover
  - så snart bladet kommer inn i materialet, slipp spak G
  - ! **trekk aldri verktøyet bakover**
- Kutte store paneler <sup>16</sup>
  - støttepanel nær snittet enten på gulv, bord eller arbeidsbenk
  - ! **still inn skjæredybden slik at du skjærer gjennom panel og ikke gjennom støtte**
  - i tilfelle parallellføring ikke tillater ønsket bredde på kutt, klem eller spik rett trestykke til arbeidsstykket som en guide, og bruk venstre side av foten mot denne guiden <sup>17</sup>
- Skjæring med sidespor <sup>19</sup> \*IKKE INKLUDERT SOM STANDARD
 

Bruken av et sidespor gir presise, rette, nøyaktige kutt, enten ved 0° eller 45° skråsnitt.

Før du gjør det første kuttet med sidesporet, må gummilleppen tilpasses sirkelsagen som brukes.

  - for et rett 0° kutt, sørg for at 0° skråsiden av skinnen AE (eller 45° skråsiden når du gjør et 45° skråsnitt) er på linje med ønsket kuttelinje merket på arbeidsstykket
  - fest sidespor AE godt på arbeidsstykket ved hjelp av sidesporklemmer AF <sup>18</sup> \*IKKE INKLUDERT SOM STANDARD
  - skyv sagen på skinnen AE og vri knottene for å justere trådslike U med urviseren for å minimere gapet mellom sporet i foten og den hevede ribben på skinnen AE, og sørg for at sagen kan gli fritt på skinnen uten å svinge sidelengs.
  - ved innstilling av skjæredybden husk å ta tykkelsen til sidesporet AE med i betraktning
  - led sagen jevnt gjennom enden av skinnen med en langsom matehastighet
- For mer informasjon se [www.skil.com](http://www.skil.com)

## VEDLIKEHOLDSSERVICE

- Dette verktøyet er ikke beregnet for profesjonell bruk
- Alltid hold verktøyet rent!
- ! **ta batteriet ut av verktøyet før rengjøring**
- Hold alltid området rundt nedre beskyttelse F <sup>2</sup> rent (fjern støv og spon ved å blåse ut med trykkluft eller med en børste)
- Rengjør sagblad straks etter bruk (spesielt for kvae og lim)
- Hvis verktøyet skulle svikte til tross for forsiktighet i produksjons- og testprosedyrene, bør reparasjonen utføres av et ettersalgsservicesenter for SKIL elektroverktøy
  - send verktøyet **umontert** sammen med kjøpsbevis til din forhandler eller nærmeste SKIL-servicestasjon (adresser samt serviceskjema for verktøyet er oppført

- på [www.skil.com](http://www.skil.com))
- Vær oppmerksom på at skade på grunn av overbelastning eller feil håndtering av verktøyet vil bli ekskludert fra garantien (for SKILs garantibetingelser se [www.skil.com](http://www.skil.com) eller spør din forhandler)

## MILJØ

Bare for EU-land

- **Ikke kast elektrisk verktøy, tilbehør og emballasje sammen med husholdningsavfall**
  - i henhold til EU-direktiv 2012/19/EF om kasserte elektriske og elektroniske produkter og direktivets iverksetting i nasjonal rett, må elektroverktøy som ikke lenger skal brukes, samles separat og returneres til et miljøvennlig gjenvinningsanlegg
  - symbolet <sup>6</sup> vil minne deg på dette når behovet for avhending oppstår
  - ! **Beskytt batteripolene med kassett for kassering for å unngå kortslutning**

## STØY / VIBRASJON

- Målt i samsvar med EN 62841 er lydtrykknivået til dette verktøyet 91 dB (A) og lydeffektnivået 102 dB (A) (usikkerhet K = 3 dB), og vibrasjonen \* (triaksvektorsum; usikkerhet K = 1,5 m/s<sup>2</sup>) \* skjæring av tre < 2,5 m/s<sup>2</sup>
- Vibrasjonsnivået er målt i samsvar med en standardisert test som er angitt i EN 62841; den kan brukes til å sammenligne et verktøy med et annet, og som et foreløpig overslag over eksponering for vibrasjoner ved bruk av verktøyet til de oppgavene som er nevnt
  - bruk av verktøyet til forskjellige applikasjoner, eller med annet eller dårlig vedlikeholdt tilbehør, kan **øke** eksponeringsnivået betydelig
  - Tidene når verktøyet er slått av eller når det kjører, men ikke gjør jobben, kan **redusere** eksponeringsnivået betydelig
- ! **Beskytt deg selv mot vibrasjonseffekter ved å vedlikeholde verktøyet og dets tilbehør, holde hendene varme og organisere arbeidsmønstrene dine**

FIN

Harjaton akkupyörosaha

3571

## ESITTELY

- Tämä työkalu on tarkoitettu puun pituus- ja poikittaissahaauksiin suorilla sahauksilla sekä kulmasahaauksilla jopa 56° asti
- Tätä työkalua ei ole tarkoitettu ammattikäyttöön
- Lue ja säilytä tämä ohjekirja <sup>3</sup>

## TEKNISET TIEDOT <sup>1</sup>

## TYÖKALUN OSAT <sup>2</sup>

- A Kuusiokoloavain
- B Säilytyspaikka kuusiokoloavaimelle
- C Karan lukituspainike
- D Terän pultti
- E Laippa
- F Alasuojus

- G Alasuojaus avausvipu
- H Puristuspinta
- J Nuppi sahausvyöyden asettamiseksi
- K Jalkalevy
- L Sahaussyöyden osoitin
- M Sahauskulman säätövipu
- N Sahauskulman osoitin
- P 45° viisterajoitin
- Q Sahauslinjan osoitin
- R Pölynimurin sovitin
- S Takakahva
- T Etukahva
- U Nupit ohjausaukon säätöön
- V LED-valo
- W Turvakytin
- X Ohjausaukko
- Y Liipaisukytkin
- Z Rinnakkaisohjain
- AA Rinnakkaisohjaimen säätönuppi
- AB Koukku
- AC Akun varaustason ilmaisim
- AD Pölypuski\*
- AE Ohjainkisko
- AF Ohjainkiskon puristin\*
- \*EI SISÄLLY VAKIOTOIMITUKSEEN

## TURVALLISUUS

### YLEISET SÄHKÖTYÖKALUJEN TURVALLISUUSVAROITUKSET

**VAROITUS** lue kaikki tämän sähkötyökalun mukana tulleet turvallisuusvaroitukset, ohjeet, piirustukset ja tekniset tiedot. Jos kaikkia alla olevia ohjeita ei noudateta, seurauksena saattaa olla sähköisku, tulipalo ja/tai vakava loukkaantuminen.

**Säilytä kaikki varoitukset ja ohjeet myöhempiä käyttöä varten.**

Varoituksissa käytetty termi ”sähkötyökalu” tarkoittaa joko verkkovirtakäyttöistä (johdollista) sähkötyökalua tai akkukäyttöistä (johdotonta) sähkötyökalua.

#### 1) TYÖALUEEN TURVALLISUUS

- a) **Pidä työskentelyalue siistinä ja hyvin valaistuna.** Sotkuiset tai hämärät alueet aiheuttavat onnettomuuksia.
- b) **Älä käytä sähkötyökaluja räjähdysherkässä ympäristössä, kuten syttyvien nesteiden, kaasujen tai pölyn läheisyydessä.** Sähkötyökalut saattavat aiheuttaa kipinöitä, jotka voivat sytyttää tomut tai höyryjä.
- c) **Älä päästä lapsia tai sivullisia lähelle, kun käytät sähkötyökaluja.** Häiriötekijät voivat aiheuttaa hallinnan menettämisen.

#### 2) SÄHKÖTURVALLISUUS

- a) **Sähkötyökalun pistotulpan on vastattava pistorasiaa.** Älä ikinä muokkaa pistotulppaa millään tavalla. Älä käytä minkäänlaisia sovittin pistotulppia maadoitettujen sähkötyökalujen kanssa. Muokkaamattomat pistotulpat ja niihin sopivat pistorasiat vähentävät sähköiskun vaaraa.
- b) **Vältä koskemasta vartalollasi maadoitettuihin pintoihin, kuten putkiin, lämmityspattereihin, liesiin**

**ja jääkaappeihin.** Sähköiskun riski kasvaa, jos kehosi on maadoitettu.

- c) **Älä altista sähkötyökaluja sateelle tai kosteudelle.** Sähkötyökaluun pääsevä vesi lisää sähköiskun vaaraa.
- d) **Älä väärinkäytä johtoa. Älä koskaan kannan tai vedä laitetta johdosta tai irrota pistoketta pistorasiasta johdosta vetämällä. Pidä johto poissa tulen, öljyn, terävien reunojen tai liikkuvien osien läheltä.** Vahingoittuneet tai sotkeutuneet johdot lisäävät sähköiskun vaaraa.
- e) **Kun käytät sähkötyökalua ulkona, käytä ulkokäyttöön tarkoitettua jatkojohtoa.** Ulkokäyttöön tarkoitettujen jatkojohdon käyttö vähentää sähköiskun riskiä.
- f) **Jos et voi välttää sähkötyökalun käyttöä kosteissa olosuhteissa, käytä vikavirtasuojakytkimellä (vsvk) suojattua virtalähdettä.** Vikavirtasuojakytkimen käyttö vähentää sähköiskun vaaraa.
- 3) HENKILÖKOHTAINEN TURVALLISUUS**
  - a) **Ole valpas, tarkkaavainen ja käytä maalaisjärkeä, kun käytät sähkötyökalua. Älä käytä sähkötyökalua, jos olet väsynyt tai huumeiden, alkoholin tai lääkkeiden vaikutuksen alaisena.** Hetkellinenkin huomion herpaantuminen sähkötyökalua käytettäessä saattaa aiheuttaa vakavan henkilökohtaisen vamman.
  - b) **Käytä henkilönsuojaimia. Käytä aina silmäsuojaimia.** Suojavarusteiden, kuten hengityssuojaimen, luistamattomien turvakengien, suojakypärän tai kuulosuojaimien, käyttö tarvittaessa vähentää loukkaantumisvaaraa.
  - c) **Estä vahingossa käynnistyminen. Varmista, että kytkin on off-asennossa, ennen kuin liität virtalähteen ja/tai akun, nosta laitteen tai kannat sitä.** Työkalun kantaminen sormi virtakytkimellä tai virta kytkettynä olevan työkalun liittäminen pistorasiaan muodostaa onnettomuusvaaran.
  - d) **Poista kaikki säätöön käytetyt avaimet tai kiintoavaimet ennen kuin käynnistät sähkötyökalun.** Sähkötyökalun pyörivään osaan jätetty avain tai kiintoavain saattaa aiheuttaa henkilövamman.
  - e) **Älä kurkottele. Säilytä aina tukeva asento ja hyvä tasapaino.** Näin hallitset sähkötyökalun parhaalla mahdollisella tavalla odottamattomissa tilanteissa.
  - f) **Pukeudu asianmukaisesti. Älä käytä väljiä vaatteita tai koruja.** Pidä huikset ja vaatteet etäällä liikkuvista osista. Väljät vaatteet, korut tai pitkät huikset voivat tarttua kiinni liikkuviin osiin.
  - g) **Jos laitteissa on liitännät pölynpoistolaitteille ja keräilylaitteille, varmista, että ne on liitetty ja niitä käytetään oikein.** Pölynpoistolaitteiden käyttö vähentää pölyyn liittyviä vaaroja.
  - h) **Älä anna tuotteen tuuttuuden toistuvan käytön takia tehdä sinua liian itsevarmaksi, äläkä jätä työkalun turvallisuusohjeita noudattamatta.** Huolimaton toiminta voi aiheuttaa vakavan henkilövahingon sekunnin murto-osassa.
- 4) SÄHKÖTYÖKALUJEN KÄYTTÖ JA KUNNOSSAPITO**
  - a) **Älä pakota sähkötyökalua. Käytä omaan käyttötarkoitukseesi soveltuva sähkötyökalua.** Oikea sähkötyökalu suorituu parhaiten ja turvallisimmin tehtävästä sille tarkoitettuna nopeudella.
  - b) **Älä käytä sähkötyökalua, jos sitä ei saa käynnistettyä ja suljettua kytkimellä.** Sähkötyökalun,

jota ei voida hallita kytkimellä, käyttö on vaarallista ja laite on korjattava.

- c) **Irrota pistotulppa virtalähteestä ja/tai irrota akku sähkötyökälusta, jos irrotettavissa, ennen kuin teet mitään säätöjä, vaihdat apuvälineitä tai laitat sähkötyökälun varastoon.** Nämä estävät turvallisuus-toimenpiteet vähentävät sähkötyökälun vahingossa käynnistämisen riskiä.
- d) **Säilytä käyttämättömiä sähkötyökäluja lasten ulottumattomissa, äläkä anna henkilöiden, jotka eivät tunne sähkötyökälua tai näitä ohjeita, käyttää sähkötyökälun.** Sähkötyökälut ovat vaarallisia kokemattomien käyttäjien käsissä.
- e) **Huolla sähkötyökälut ja lisävarusteet. Tarkista, että liikkuvat osat ovat kunnolla paikallaan, että osat ovat ehjiä, ja että sähkötyökälussa ei ole muita ongelmia, jotka saattaisivat vaikuttaa sen toimintaan.** Jos sähkötyökälun vahingoittunut, korjauta se ennen käyttöä. Monet onnettomuudet johtuvat huonosti ylläpidetyistä sähkötyökälusta.
- f) **Pidä leikkuutyökälut terävinä ja puhtaina.** Oikein huolletut leikkuutyökälut, joissa on terävät leikkureunat, eivät todennäköisesti jumiuudu, ja niitä on helpompi hallita.
- g) **Käytä sähkötyökäluja, lisävarusteita ja teriä ym. näiden ohjeiden mukaisesti ja niin, että otat huomioon käyttöolosuhteet ja tehtävän työn.** Sähkötyökälujen käyttö muihin kuin niille suunniteltuihin tarkoituksiin saattaa aiheuttaa vaaratilanteen.
- h) **Pidä kahvat ja tartuntapinnat kuivina, puhtaina, öljyttöminä ja rasvattomina.** Liukkaat kahvat ja tartuntapinnat eivät mahdollista työkalun turvallista käsittelyä ja hallintaa odottomattomissa tilanteissa.

#### 5) AKKUTYÖKÄLUN KÄYTTÖ JA KUNNOSSAPITO

- a) **Lataa vain valmistajan määrittelemällä laturilla.** Laturi, joka sopii yhdentyyppiselle akulle voi aiheuttaa tulipalovaaran, jos sitä käytetään toisenlaisen akun kanssa.
- b) **Käytä sähkötyökälussa vain erityisesti niihin tarkoitettuja akkuja.** Muunlaisten akkujen käyttö saattaa aiheuttaa henkilövahingon tai tulipalon vaaran.
- c) **Kun akku ei ole käytössä, pidä se poissa metalliesineiden, kuten paperiliitinten, kolikoiden, avainten, naulojen, ruuvien tai muiden pienten metalliesineiden, läheltä, jotta ne eivät voi liittää yhtä napaa toiseen.** Akun napojen oikosulku voi aiheuttaa palovammoja tai tulipalon.
- d) **Akusta voi valua nestettä väärästä käytöstä johtuen. Vältä kosketusta nesteeseen. Jos kosket nesteeseen vahingossa, huuhtelee vedellä. Jos nestettä pääsee silmiin, hakeudu lääkärin hoitoon.** Akusta valuva neste voi aiheuttaa ärsytystä tai palovammoja.
- e) **Älä käytä akkua tai työkalua, joka on vaurioitunut tai jota on muutettu.** Vaurioituneet tai muutetut akut voivat käyttäytyä arvaamattomasti ja aiheuttaa tulipalon, räjähdyksen tai henkilövahingon vaaran.
- f) **Älä altista akkua tai työkalua tulelle tai äärimmäisille lämpötiloille.** Altistaminen yli 130 °C:n lämpötilalle voi aiheuttaa räjähdyksen.
- g) **Noudata kaikkia latausohjeita. Älä lataa akkua tai työkalua lämpötilassa, joka ei ole ohjeissa ilmoitetun lämpötila-alueen sisällä.** Virheellinen lataaminen tai lataaminen ilmoitetun lämpötila-alueen

ulkopuolella olevassa lämpötilassa voi vaurioittaa akkua ja lisätä palovaaraa.

#### 6) HUOLTO

- a) **Huollata sähkötyökälusi asiantuntevalla korjaajalla, joka käyttää vain identtisiä varaosia.** Näin taataan sähkötyökälun turvallisuuden säilyminen.
- b) **Älä koskaan huolla vaurioituneita akkuja.** Akkujen huollon saa tehdä vain valmistaja tai sen valtuuttamat huoltoliikkeet.

#### TURVALLISUUSVAROITUKSET AKKUKÄYTTÖISILLE PYÖRÖSAHOILLE

##### 1) SAHAUSMENETELMÄT

- a) **VAARA: Pidä kädet kaukana sahausalueesta ja terästä. Pidä toinen käsi apukahvassa tai moottorikotelossa.** Jos pidät sahaa molemmin käsin, terä ei voi osua käsiin.
  - b) **Älä kurota työkappaleen alle.** Suojus ei voi suojata sinua terältä työkappaleen alapuolella.
  - c) **Sääda leikkaussyvyys työkappaleen paksuuden mukaan.** Terä saa näkyä työkappaleen alapuolelta vain hampaan korkeutta vähemmän.
  - d) **Älä koskaan pidä sahattavaa työkappaleita kädessäsi tai jalkojen päällä. Kiinnitä työkappale vakaalle alustalle.** On tärkeää tukea työkappale oikein kehon altistumisen, terän jumittumisen tai hallinnan menettämisen minimoimiseksi.
  - e) **Tartu sähkötyökälun vain eristetyistä tartuntapinnoista, koska leikkuuterät voivat osua pilossa oleviin johtoihin tai laitteen omaan johtoon** (kosketus ”jännitteeseen” johtoon saattaa sähkötyökälun paljaat metalliosat ”jännitteiseksi” ja voi aiheuttaa sähköiskun käyttäjälle)
  - f) **Käytä halkaisussa aina rinnakkaisohjainta tai suorareunaista ohjainta.** Tämä parantaa sahausken tarkkuutta ja pienentää terän kiinni jäämisen mahdollisuutta.
  - g) **Käytä aina teriä, joissa on oikean kokoiset ja oikean muotoiset tuurnareiat (vinoneliö tai pyöreä).** Terät, jotka eivät ole yhteensopivia sahan kiinnityslaitteen kanssa, toimivat epäkeskisesti, ja johtavat hallinnan menettämiseen.
  - h) **Älä koskaan käytä vaurioituneita tai virheellisiä terän aluslevyjä tai pulttia.** Terän aluslevyt ja pultti on suunniteltu erityisesti saahaasi varten optimaalisen suorituskyvyn ja turvallisuuden varmistamiseksi.
- ##### 2) TAKAPOTKUN SYYT JA SIIHEN LIITTYVÄT VAROITUKSET
- Takapotku on äkillinen reaktio puristuneeseen, kiinni tarttuneeseen tai väärin kohdistettuun sahanterään, ja se saa aikaan hallitsemattoman sahan nousun ylös ja ulos työkappaleesta käyttäjää kohti
  - Kun terä on puristuksessa tai tiukasti kiinni tarttuneena halkaisun sulkeutuessa, terä pysähtyy ja moottorin reaktio ohjaa laitteen nopeasti takaisin käyttäjää kohti
  - Jos terä väantyy tai on kohdistettu väärin sahauskeen, terän takareunan hampaat voivat kaivautua puun yläpintaan saaden aikaan terän nousun halkaisusta ja hypähdyksen takaisin käyttäjää kohti
  - Takapotku on seurausta työkalun väärinkäytöstä ja/ tai vääristä toimintamenetelmistä tai olosuhteista, ja se voidaan estää sopivin varotoimin, joita selostetaan

seuraavassa.

- a) **Pidä sahasta kiinni molemmin käsin tukevalla otteella ja pidä käsivartesi sellaisessa asennossa, että pystyt hallitsemaan takapotkuvoimat. Aseta vartalosi terän jommallekummalle puolelle, mutta ei terän suuntaisesti.** Takapotku voi aiheuttaa sahan hyppäämisen taaksepäin, mutta käyttäjä voi hallita takapotkuvoimia, jos asianmukaiset varoimet on toteutettu.
- b) **Jos terä on jumitutunut tai sahaus keskeytetään jostakin syystä, vapauta liipaisin ja pidä sahaa liikkumattomana materiaalissa, kunnes terä pysähtyy kokonaan. Älä koskaan yritä irrottaa sahaa työstä tai vetää sahaa taaksepäin terän ollessa liikkeessä tai takapotku voi tapahtua.** Etsi terän jumittumisen syy ja tee korjaavat toimenpiteet syyn poistamiseksi. Vältä sahausta nauhoihin tai ruuveihin.
- c) **Kun käynnistät sahan uudelleen työkappaleessa, aseta terä keskelle halkaisua ja tarkista, että sahan hampaat eivät ole kiinni materiaalissa.** Jos sahanterä jää kiinni, se voi ponnahtaa ylös tai aiheuttaa takapotkun työkappaleesta, kun saha käynnistetään uudelleen.
- d) **Tue suuret levyt terän juuttumisvaaran ja takapotkun minimoimiseksi.** Suurilla levyillä on taipumus painua oman painonsa voimasta. Tuet on sijoitettava levyjen alle molemmin puolin, sahauslinjan lähelle ja levyjen reunan lähelle.
- e) **Älä käytä tylsiä tai vaurioituneita teriä.** Teroittamattomat tai väärin asetetut terät aiheuttavat kapean halkaisun, mikä lisää kitkaa, jumittaa sahanterän ja johtaa takapotkuun.
- f) **Terän svyyden ja viistesäätövipujen on oltava tiukat ja kiinnitettyinä ennen sahausta.** Jos terän säätö siirtyy sahausajan aikana, seurauksena voi olla jumittuminen ja takapotku.
- g) **Ole erityisen varovainen sahatessasi olemassa oleviin seiniiin tai muihin katvealueisiin.** Ulkoneva terä voi osua kohteisiin, mikä voi aiheuttaa takapotkun.
- 3) ALASUOJUKSEN TOIMINTA**
- a) **Tarkista alasuojuksen kunnollinen sulkeutuminen ennen jokaista käyttökertaa. Älä käytä sahaa, jos alasuojus ei liiku vapaasti ja sulkeudu välittömästi. Älä koskaan kiinnitä tai sido alasuojusta avoimeen asentoon.** Jos saha putoaa vahingossa, alasuojus voi taipua. Nosta alasuojusta sisäänvedettävällä kahvalla, ja varmista, että se liikkuu vapaasti eikä kosketa terää tai muuta osaa missään sahauskuilmissa tai sahaussvyyksissä.
- b) **Tarkista alasuojuksen jousen toiminta. Jos suojuus ja jousi eivät toimi kunnolla, ne on huollettava ennen käyttöä.** Alasuojus voi toimia hitaasti vaurioituneiden osien, tahmaisen lian tai roskien kerääntymisen johdosta.
- c) **Alasuojus on vedettävä sisään käsin vain erikoissahaussissa, kuten pistosahaus ja yhdistelmäsahaus. Nosta alasuojusta sisäänvedettävällä kahvalla ja heti kun terä osuu materiaaliin, alasuojus on vapautettava.** Kaikissa muissa sahausissa alasuojuksen tulee toimia automaattisesti.
- d) **Tarkista aina, että alasuojus peittää terän, ennen kuin asetat sahan alas työpenkille tai lattialle.** Suojaamaton, liukuva terä saa sahan kulkemaan taaksepäin ja sahaamaan kaiken tielle osuvan. Ota

huomioon aika, joka menee terän pysähtymiseen kytkimen vapauttamisen jälkeen.

## LISÄTURVALLISUUSVAROITUKSET

### YLEISTÄ

- Tätä työkalua eivät saa käyttää alle 16-vuotiaat henkilöt
- Tämä työkalu ei sovellu märkäsahaukseen
- **Älä koskaan työstä asbestipitoista ainetta** (asbestia pidetään karsinogeenisena)
- **Sellaisista materiaaleista, kuten lijyypitoinen maali, jotkin puulajit, mineraalit ja metalli, tuleva pöly voi olla vahingollista** (pölyn kanssa kosketuksiin joutuminen tai sen sisään hengittäminen voi aiheuttaa käyttäjälle tai sivullisille allergiareaktioita ja/tai hengityselinten sairauksia); käytä hengityssuojainta ja työskentele pölynpoistolaitteen kanssa, kun sellainen on liitettävissä
- **Tietyyntyyppiset pölyt on luokiteltu karsinogeenisiksi** (kuten tammii- ja pyökkipöly) erityisesti puun käsittelyyn käytettävien lisäaineiden yhteydessä; käytä hengityssuojainta ja työskentele pölynpoistolaitteen kanssa, kun sellainen on liitettävissä
- Noudata pölyyn liittyviä kansallisia vaatimuksia materiaaleille, joiden kanssa työskentelet
- Älä käytä tätä sahaa yhdessä sahauspöydän kanssa
- Irrota akku työkalusta ennen säätöjen tekemistä tai lisävarusteiden vaihtamista

### LISÄVARUSTEET

- SKIL pystyy takaamaan työkalun moitteettoman toiminnan vain, kun käytetään alkuperäisiä lisävarusteita
- Käytä vain sellaisia sahanteriä, jotka vastaavat näissä käyttöohjeissa annettuja ominaisuustietoja, ja jotka on testattu ja merkitty EN 847-1 -standardin mukaisesti.
- Käytä vain lisävarusteita, joiden suurin sallittu nopeus vastaa vähintään työkalun suurinta tyhjäkäyntinopeutta
- Käytä ainoastaan sahanteriä, joiden vähimmäishalkaisija on 184 mm, enimmäishalkaisija 184 mm ja karan aukko 16 mm
- Älä koskaan käytä pikateräksestä (HSS) valmistettuja sahanteriä
- Älä koskaan käytä hioma-/katkaisulaikkoja tämän työkalun kanssa

### ENNEN KÄYTTÖÄ

- Vältä vaaralliset vahingot, jotka voivat aiheuttaa työkappaleen ruuveista, nauloista tai muista esineistä; poista ne ennen työskentelyä aloittamista
- Poista kaikki esteet sahauslinjan ylä- ja alapuolelta ennen sahausamisen aloittamista
- **Kiinnitä työstettävä kappale** (kiinnittimeen tai puristimeen kiinnitetty työstettävä kappale pysyy tukevammin paikoillaan kun käsin pidettäessä)
- **Käytä sopivia etsintälaitteita pilossa olevien syöttöjohtojen paikallistamiseksi tai käänny paikallisen jakelu-yhtiön puoleen** (kosketus sähköjohtoon saattaa johtaa tulipaloon ja sähköiskuun; kaasuputken vahingoittaminen saattaa johtaa räjähdykseen; vesiputkeen tunkeutuminen aiheuttaa aineellista vahinkoa tai saattaa johtaa sähköiskuun)

### KÄYTÖN AIKANA

- Melutaso työskentelyn aikana voi ylittää 85 dB(A); käytä kuulonsuojaimia
- Älä koskaan käytä työkalua ilman alkuperäistä suojajärjestelmää
- Älä yritä sahata erittäin pieniä työkappaleita



- Älä käytä työkalua pään yläpuolella
- Jos kyseessä on juuttuminen tai huomaat sähköisen tai mekaanisen vian, sammuta työkalu heti ja irrota akku.

### KÄYTÖN JÄLKEEN

- Ennen työkalun laittamista pois sammuta moottori, ja varmista, että kaikki liikkuvat osat ovat pysähtyneet täysin.
- Kun olet sammuttanut pyörösahan, älä koskaan pysäytä sahanterän pyörimistä siihen kohdistetulla sivuttaisella voimalla

### AKUT

- Akku toimitetaan osittain ladattuna (varmista akun suoritusteho lataamalla akku täyteen akkulaturilla ennen sähkötyökalun ensimmäistä käyttökertaa)
- Käytä työkalun kanssa vain seuraavia akkuja ja latureita
  - SKIL-akku: BR1\*31\*\*\*\*
  - SKIL-laturi: CR1\*31\*\*\*\*
- Älä käytä vahingoittunutta akkua, vaan vaihda se
- Älä pura akkua
- Suojaa työkalu/akku sateelta
- Sallittu ympäristön lämpötila (työkalu/laturi/akku):
  - ladattaessa 4...40 °C
  - käytön aikana -20...+50 °C
  - varastoinnin aikana -20...+50 °C

### TYÖKALUN/AKUN SYMBOLIEN SELITYKSET

- ③ Lue käyttöohjeet ennen käyttöä
- ④ Akut räjähtävät, jos ne hävitetään polttamalla, joten älä missään tapauksessa polta niitä
- ⑤ Säilytä työkalu/laturia/akkua paikoissa, joissa lämpötila ei ole yli 50 °C
- ⑥ Älä hävitä sähkötyökaluja ja akkuja tavallisen kotitalousjätteen mukana

## KÄYTTÖ

- Akun lataaminen
  - ! lue kaikki laturin mukana tulevat turvallisuusvaroitukset ja ohjeet
- Akun irrottaminen/asentaminen ②
- Sahanterän kiinnittäminen ②
  - ! irrota akku työkalusta
  - ota kuusiokoloavain A säilytyspaikasta B
  - paina karan lukituspainiketta C ja pidä se pohjassa irrottaessasi terän pultin D kääntämällä kuusiokoloavainta A VASTAPÄIVÄÄN (= sahanterään painetun nuolen suuntaan)
  - ! paina karan lukituspainiketta C vain työkalun ollessa pysähdyksissä
  - vapauta karan lukituspainike C
  - poista laippa E
  - ! varmista, että laippojen puristuspinna H ovat täysin puhtaat, ja että ne osoittavat kohti terää
  - avaa alasuojus F vivulla G ja pidä siitä kiinni kiinnittäessäsi sahanterää siten, että sahan hampaat ja sahanterään merkitty nuoli osoittavat samaan suuntaan kuin alasuojuksessa oleva nuoli
  - vapauta alasuojus F
  - kiinnityslaippa E
  - paina karanlukituspainiketta C ja pidä sitä painettuna samalla, kun kiristät terän pulttia kuusiokoloavaimella 1/8 kierroksen verran sormikireyttä tiukemmalle (varmistaa sahanterän liukumisen, kun se kohtaa liian suuren vastuksen, mikä vähentää moottorin vakuuorimista ja sahan takapotkua)

- vapauta karan lukituspainike C
- Sahaussyvyyden säätö (0-66 mm) ⑦
  - optimaalisen sahauslaadun saavuttamiseksi sahanterä ei saa ulottua enempää kuin 3 mm työkappaleen alapuolelle
  - löysää nuppi J
  - nosta/laske jalkaa K, kunnes haluamasi sahaussyvyys näkyy asteikon osoittimessa L
  - kiristä nuppi J
- Akun varaustason ilmaisin ⑧
  - Näet akun nykyisen varaustason painamalla akun varaustason ilmaisinpainiketta AC ⑧a
  - ! kun akun ilmaisimen alin taso alkaa vilkkua painikkeen AC painamisen jälkeen ⑧b, akku on tyhjä
  - ! kun akun ilmaisimen 2 tasoa alkaa vilkkua painikkeen AC painamisen jälkeen ⑧c, akku ei ole sallittua käyttölämpötila-alueella
- LED-valo ⑫ V
  - LED-valo syttyy automaattisesti, kun virtakytkin aktivoidaan
  - ! kun LED-valo alkaa vilkkua, akun suojaus on aktivoitunut (katso alta)
- Akun suojaus
  - Työkalu sammuu automaattisesti tai sitä ei voi kytkeä päälle, jos
    - kuormitus on liian suuri -> vähennä kuormitusta ja käynnistä uudelleen
    - akun lämpötila ei ole sallitulla käyttölämpötila-alueella -20...+50 °C --> 2 akun varaustason valoa alkaa vilkkua, kun painat painiketta AC ⑧c; odota, kunnes akku on sallitulla käyttölämpötila-alueella uudelleen
    - akku on lähes tyhjä (suojatakseen syväpurkautumiselta) --> alhainen akun varaustaso tai vilkkuva alhainen akun varaustaso ⑧b näkyy akun varaustason ilmaisimessa, kun painat painiketta AC; lataa akku
    - ! älä jatka virtakytkimen painamista sen jälkeen, kun kone on kytkettyntyt pois päältä automaattisesti; akku voi vaurioitua
- Sahauskulman säätäminen (0-56°) ⑨
  - löysää vipua M
  - kallista työkalua, kunnes haluamasi sahauskulma näkyy asteikon osoittimessa N
  - 45° viisterajoin P tarjoaa nopean 45° viistekulman asetuksen
  - asettaaksesi viistekulman, joka on suurempi kuin 45°, kierrä 45° viisterajoin P irrottaaksesi sen osoittimesta N
  - kiristä vipu M
  - ! reunan viistoamisessa sahausvyvyys ei vastaa sahausvyvyyden asteikolla näkyvää arvoa
- Sahauslinjan osoitin G ⑩
  - työkalun ohjaamiseen haluttua työkappaleeseen merkittyä sahauslinjaa pitkin
  - käytä suoraa sahausta 0° tai 45° viistesahausta varten vastaavaa osoitinlinjaa
  - ! jalan leveän osan pitäisi sijaita työkappaleen tuetun osan päällä
  - ! sahausleveys määrätty terän hampaiden leveyden mukaan eikä terän rungon leveyden mukaan

## ! suorita aina ensin koesahaus todellisen sahauslinjan tarkistamiseksi

- Pölynimi (11)  
Kiinnitä pölynimurin sovitin R sahaan ristipääruuvilla Pölynimurin käyttö
  - liitä pölynimurin letku pölynimurin sovittimeen R
- ! **älä päästä pölymurin letkua häiritsemään alasuojusta tai sahausta**  
Pölypussi
  - asenna pölypussi AD
- Työkalan käyttö
  - kiinnitä akku
  - pidä aina kahvasta S tukevasti kiinni toisella kädellä ja kahvasta T tukevasti toisella kädellä
  - aseta työkalu siten, että jalan etuosa on tasaisesti työkappaleen päällä
- ! **varmista, etteivät sahanterän hampaat ole kosketuksissa työkappaleeseen**
  - kytke työkalu päälle painamalla ensin turvakytöntä W ja vetämällä sitten liipaisinkytkintä Y
- ! **koneen pitää käydä täydellä nopeudella ennen sahanterän kosketusta työstettävään kappaleeseen**
  - alasuojus F avautuu automaattisesti, kun sahanterä koskettaa työkappaletta (alasuojus avataan käsin vivusta G vain erikoissahausta, kuten pistosahausta, varten)
- ! **älä paina työkalua väkisin (käytä kevyttä ja tasaista painallusta, jotta terän kärjet eivät ylikuumene)**
  - kun sahaus on suoritettu, sammuta työkalu vapauttamalla liipaisin Y
- ! **varmista, että terä on täysin pysähtynyt, ennen nostat työkalun irti työkappaleesta**

## KÄYTTÖÄ KOSKEVIA NEUVOJA

- Käännä työkappaleen parempi puoli aina alaspäin, jotta pirstoutuminen olisi mahdollisimman vähäistä
- Käytä vain oikeantyyppisiä teräviä sahanterä (13)
  - sahausksen laatu paranee hampaiden lukumäärän myötä
  - kovametallikärkiset terät pysyvät terävinä jopa 30 kertaa pidempään kuin tavalliset terät
- Poikittaisleikkaukset/halkaisuleikkaukset (14)  
Poikittaisleikkaukset tai halkaisuleikkaukset on helppo tehdä rinnakkaisohjaimella Z.
  - kohdistu ohjausviiva jalassa olevan 0° sahauslinjan ilmaimisen Q kanssa
  - aseta rinnakkaisohjain Z jalan kummallakin puolella olevien rakojen läpi haluttuun leveyteen ja kiinnitä nupilla AA
- ! **varmista, että halkaisiohjain ei häiritse alasuojuksen ja sahanterän vapaata liikettä**
- Pistosahaus (15)
  - aseta haluttu sahausvyvyys
  - kallista työkalua eteenpäin siten, että sahauslinjan osoitin Q yhtyy haluamaasi sahauslinjaan, joka on merkitty työkappaleeseen
  - avaa alasuojus F vivulla G
  - juuri ennen kuin terä koskee työkappaleeseen, käynnistä työkalu ja laske työkalun takaoasa vähitellen käyttämällä jalan etuosaa saranapisteensä
  - liikuta työkalua vähitellen alaspäin ja eteenpäin

- kun terä menee materiaaliin, vapauta vipu G
- ! **älä koskaan vedä työkalua taaksepäin**
- Isojen levyjen sahaaminen (16)
  - tue levy ennen sahaamista joko lattialle, pöydälle tai työpenkkiin
- ! **asetä sahausvyvyys siten, että sahaat levyn läpi etkä tuen läpi**
  - jos rinnakkaisohjain ei sallii halutun levyistä sahausta, kiinnitä suora puupala työkappaleeseen ohjaimeksi niin, että jalan vasen puoli tulee tätä ohjainta vasten (17)
- Sahaus ohjainkiskon kanssa (19) \*EI SISÄLLY VAKIOTOIMITUKSEEN  
Ohjainkisko tarjoaa täsmälliset, suorat ja tarkat sahausket joko 0° tai 45° viisteellä.  
Ennen kuin teet ensimmäistä sahausta ohjainkiskon kanssa, kumihuuli on sovittava käytettävään pyörösahaan.
  - suoraa 0° leikkausta varten kohdistu kiskon AE 0° viisteen puoli (tai 45° viisteen puoli, kun teet 45° viistesahausta) haluttuun sahauslinjaan, joka on merkitty työkappaleeseen
  - kiinnitä ohjainkisko AE tiukasti työkappaleeseen ohjainkiskon puristimilla AF (18) \*EI SISÄLLY VAKIOTOIMITUKSEEN
  - liu'uta saha kiskoon AE ja käännä ohjausaukon U säätönuppeja myötäpäivään minimoidaksesi raon jalan ja kiskon AE kohotetun ulokkeen välillä, ja varmista, että saha voi liukua kiskolla vapaasti heilumatta sivuttain.
  - kun asetat sahausvyvyyttä, muista ottaa huomioon ohjainkiskon AE paksuus
  - ohjaa sahaa tasaisesti hitaalla syöttönopeudella kiskon pään läpi
- Lisätietoja on osoitteessa [www.skil.com](http://www.skil.com)

## HOITO/HUOLTO

- Tätä työkalua ei ole tarkoitettu ammattikäyttöön
- Pidä työkalu aina puhtaana!
- Irrota akku työkalusta ennen puhdistamista
- Pidä alasuojuksen F (2) ympäristö aina puhtaana (poista pöly ja lastut puhaltamalla paineilmailmalla tai harjaamalla)
- Puhdistu sahanterä heti käytön jälkeen (erityisesti pihkasta ja liimasta)
- Jos työkalu ei huolellisesta valmistuksesta ja koestusmenettelystä huolimatta toimi asianmukaisella tavalla, tulee laitteen korjaus antaa SKIL-huoltokeskuksen tehtäväksi
- toimita työkalu ostosittien kanssa ja **osiin purkamatta** jälleenmyyjälle tai lähimpään SKIL-huoltokeskukseen (osoitteet ja työkalun huoltokaavio löytyvät web-sivustolta [www.skil.com](http://www.skil.com))
- Ota huomioon, että takuu ei kata työkalun ylikuormituksesta tai vääristä käsittelystä johtuvia vahinkoja (katso SKIL-takuuehdot osoitteesta [www.skil.com](http://www.skil.com) tai kysy jälleenmyyjältä)

## YMPÄRISTÖ

Koskee vain EU-maita

- Älä hävitä sähkötyökaluja, lisävarusteita tai pakkausta tavallisen kotitalousjätteen mukana
  - Vanhoja sähköja elektroniikkalaitteita koskevan eurooppalaisen direktiivin 2012/19/EY ja sen maakohtaisten sovellusten mukaisesti käytetyt

sähkötyökalut on toimitettava ongelmajätteen keräyspisteeseen ja ohjattava ympäristöystävälliseen kierrätykseen

- symboli ⑥ muistuttaa tästä, kun käytöstä poisto tulee ajankohtaiseksi

**! poistaessasi akun käytöstä peitä plus- ja miinusnapa sähköteipillä oikosulun estämiseksi**

## MELU/TÄRINÄ

- Standardin EN 62841 mukaisesti mitattuna tämän työkalun äänenpainetaso on 91 dB(A) ja äänitehotaso 102 dB(A) (epävarmuus K = 3 dB) ja värähtely \* (kolmeakselisen vektorin summa; epävarmuus K = 1,5 m/s<sup>2</sup>) \* puun sahaus < 2,5 m/s<sup>2</sup>
  - Tärinäsäteilytaso on mitattu standardin EN 62841 mukaisen standarditestin mukaisesti; sitä voidaan käyttää verrattaessa yhtä laitetta toiseen sekä alustavana tärinälle altistumisen arviona käytettäessä työkalua mainituissa käyttötarkoituksissa
    - työkalun käyttö eri käyttötarkoituksiin tai erilaisten tai huonosti huollettujen lisävarusteiden kanssa voi nostaa merkittävästi altistumistasoa
    - työkalun ollessa sammuksissa tai kun se on käynnissä, mutta sillä ei tehdä työtä, altistumistaso voi alentua merkittävästi
- ! suojaudu tärinän vaikutuksilta huoltamalla työkalu ja sen lisävarusteet, pitämällä kädet lämpiminä ja organisoimalla työmenetelmät**

E

## Sierra circular inalámbrica 3571 sin escobillas

### INTRODUCCIÓN

- Esta herramienta está diseñada para cortes longitudinales y transversales de madera con cortes rectos y cortes en ángulo de hasta 56°.
- Esta herramienta no está concebida para uso profesional.
- Lea y conserve este manual de instrucciones ③

### DATOS TÉCNICOS ①

### ELEMENTOS DE LA HERRAMIENTA ②

- A Llave hexagonal
- B Almacenamiento para llave hexagonal
- C Botón de bloqueo del eje
- D Tornillo de la hoja
- E Brida
- F Protección inferior
- G Palanca para abrir la protección inferior
- H Superficie de enganche
- J Botón de ajuste de la profundidad de corte
- K Base
- L Indicador de profundidad de corte
- M Palanca de ajuste del ángulo de corte
- N Indicador del ángulo de corte
- P Tope del bisel de 45°
- Q Indicador de la línea de corte
- R Adaptador de aspiradora

- S Empuñadura trasera
  - T Empuñadura delantera
  - U Botones para ajustar la ranura guía
  - V Luz LED
  - W Interruptor de seguridad
  - X Ranura guía
  - Y Gatillo interruptor
  - Z Guía paralela
  - AA Botón para ajuste de la guía paralela
  - AB Gancho
  - AC Indicador del nivel de carga de la batería
  - AD Depósito de polvo\*
  - AE Carril guía\*
  - AF Mordaza del carril guía\*
- \*NO INCLUIDO DE SERIE

## SEGURIDAD

### MEDIDAS DE SEGURIDAD GENERALES PARA HERRAMIENTAS ELÉCTRICAS

**⚠ ADVERTENCIA: lea todas las advertencias, instrucciones, ilustraciones y especificaciones incluidas con esta herramienta eléctrica.** Si no se cumplen todas las instrucciones que se enumeran a continuación, pueden producirse descargas eléctricas, incendios o lesiones graves.

**Conserve todas las instrucciones y advertencias para poder consultarlas en el futuro.**

El término «herramientas eléctricas» que aparece en las advertencias se refiere tanto a las herramientas que funcionan conectadas a la red eléctrica (con cable) como a las que funcionan con batería (inalámbricas).

### 1) SEGURIDAD EN LA ZONA DE TRABAJO

- a) **Mantenga la zona de trabajo limpia y bien iluminada.** Las áreas de trabajo desordenadas y oscuras favorecen los accidentes.
- b) **No ponga en funcionamiento las herramientas eléctricas en entornos explosivos como, por ejemplo, donde haya líquidos, gases o polvo inflamables.** Las herramientas eléctricas generan chispas que podrían actuar como detonante de vapores y partículas de polvo inflamables.
- c) **Mantenga a los niños y las demás personas alejados cuando esté utilizando una herramienta eléctrica.** Las distracciones podrían hacerle perder el control de la herramienta.

### 2) SEGURIDAD ELÉCTRICA

- a) **El enchufe de la herramienta eléctrica debe corresponder con la toma de corriente. No modifique nunca el enchufe de ningún modo. Nunca utilice enchufes adaptadores o ladrones de corriente con herramientas eléctricas equipadas con conexión a tierra.** Si no se modifican los enchufes y estos corresponden con las tomas de corriente, se reducirán enormemente los riesgos de electrocución.
- b) **Evite cualquier contacto corporal con superficies conectadas a tierra, como tuberías, radiadores, hornillos eléctricos y frigoríficos.** Existe un mayor riesgo de descarga eléctrica si su cuerpo tiene conexión

- a tierra.
- c) **No exponga las herramientas eléctricas a la lluvia o a la humedad.** Si penetra agua en una herramienta eléctrica, aumentará el riesgo de descarga eléctrica.
  - d) **No maltrate el cable. Nunca utilice el cable para transportar, arrastrar o desenchufar la herramienta eléctrica. Mantenga el cable alejado del calor, el aceite, los bordes afilados o las piezas móviles.** Los cables dañados o enredados aumentan el riesgo de descarga eléctrica.
  - e) **Cuando use una herramienta eléctrica al aire libre, utilice un cable alargador adecuado para uso en exteriores.** Si se usa un cable adecuado para exteriores, se reducirá el riesgo de descarga eléctrica.
  - f) **Si es inevitable usar una herramienta eléctrica en un entorno húmedo, utilice una alimentación con interruptor diferencial (RCD).** La utilización de un interruptor de protección diferencial reducirá el riesgo de electrocución.
- 3) SEGURIDAD PERSONAL**
- a) **Manténgase alerta, preste atención a lo que está haciendo y aplique el sentido común durante el uso de una herramienta eléctrica. No use una herramienta eléctrica cuando esté cansado o bajo la influencia de drogas, alcohol o medicación.** Cuando se están usando herramientas eléctricas, cualquier falta de atención, aunque sea por un instante, puede provocar lesiones graves.
  - b) **Utilice equipo de protección personal. Utilice siempre protección ocular.** El equipo de protección, como máscaras antipolvo, calzado de seguridad antideslizante, casco protector o protección auditiva, cuando se utiliza adecuadamente, reduce las lesiones personales.
  - c) **Evite la puesta en marcha accidental de la herramienta. Asegúrese de que el interruptor de encendido se encuentra en la posición de apagado antes de enchufar la herramienta a la red eléctrica y/o de acoplar la batería, así como al agarrar o transportar la herramienta.** Transportar herramientas eléctricas con el dedo en el interruptor o con el interruptor en la posición de encendido aumenta el riesgo de accidente.
  - d) **Retire cualquier llave de ajuste o llave inglesa de la herramienta antes de encenderla.** Una llave inglesa o una llave de ajuste enganchada a una parte giratoria de la herramienta puede producir lesiones.
  - e) **No se estire demasiado para alcanzar lugares de difícil acceso. Mantenga una posición firme y equilibrada en todo momento.** De este modo podrá controlar mejor la herramienta eléctrica en situaciones inesperadas.
  - f) **Utilice ropa adecuada. No lleve ropa holgada ni joyas. Mantenga el pelo, la ropa y los guantes alejados de las piezas móviles.** La ropa holgada, así como las joyas o el pelo largo podrían engancharse en las partes móviles.
  - g) **Si se incluyen dispositivos de conexión a extractores y colectores de polvo, asegúrese de conectarlos y utilizarlos adecuadamente.** El uso de un colector de polvo puede reducir los riesgos asociados con el polvo.
  - h) **El hecho de haberse familiarizado con la**

- herramienta por el uso frecuente no debe hacer que se descuide e ignore los principios de seguridad.** Una distracción puede provocar lesiones graves en una fracción de segundo.
- 4) UTILIZACIÓN Y CUIDADO DE LAS HERRAMIENTAS ELÉCTRICAS**
- a) **No fuerce la herramienta eléctrica. Utilice la herramienta eléctrica adecuada para la tarea que vaya a realizar.** La herramienta correcta funcionará mejor y con más seguridad a la velocidad para la que ha sido diseñada.
  - b) **No use la herramienta si el interruptor no funciona para encenderla y apagarla.** Toda herramienta que no se puede controlar con el interruptor es peligrosa y debe repararse.
  - c) **Desconecte el enchufe de la toma de corriente y/o retire la batería de la herramienta antes de realizar algún ajuste, cambiar de accesorios o guardarla.** Estas medidas de seguridad reducen el riesgo de que la herramienta se ponga en marcha por accidente.
  - d) **Guarde las herramientas eléctricas apagadas fuera del alcance de niños y no deje que las usen personas que no estén familiarizadas con estas instrucciones o con las herramientas.** Las herramientas eléctricas son peligrosas si las usan personas sin experiencia.
  - e) **Cuide las herramientas eléctricas y sus accesorios. Compruebe si hay elementos móviles desalineados o trabados, piezas rotas u otra circunstancia que pueda afectar al funcionamiento de la herramienta. Si la herramienta eléctrica está dañada, llévela a reparar antes de usarla.** Muchos accidentes se deben a un mantenimiento deficiente de las herramientas eléctricas.
  - f) **Mantenga las herramientas de corte afiladas y limpias.** Las herramientas de corte bien afiladas tienen menos probabilidades de atascarse y son más fáciles de controlar.
  - g) **Use la herramienta eléctrica, los accesorios, las brocas, etc., siguiendo las instrucciones y teniendo en cuenta las condiciones de trabajo y la tarea a realizar.** El uso de las herramientas eléctricas para fines diferentes a los previstos podría provocar situaciones de peligro.
  - h) **Mantenga las asas y las superficies de agarre secas, limpias y libres de aceite y grasa.** Si las asas y las superficies de agarre están resbaladizas no se puede manejar la herramienta de forma segura ni mantener el control en las situaciones inesperadas.
- 5) UTILIZACIÓN Y MANTENIMIENTO DE HERRAMIENTAS A BATERÍA**
- a) **Recargue únicamente con el cargador especificado por el fabricante.** Un cargador que es adecuado para un tipo de batería podría ocasionar un incendio si se utiliza con una batería distinta.
  - b) **Utilice herramientas eléctricas solamente con las baterías diseñadas específicamente para ellas.** El uso de cualquier otro tipo de batería puede provocar riesgo de lesiones e incendio.
  - c) **Cuando no se esté utilizando la batería, manténgala apartada de objetos metálicos como clips para papeles, monedas, llaves, clavos, tornillos, o cualquier otro objeto metálico pequeño que**

**podría provocar un cortocircuito en sus terminales de corriente.** Si se provoca el cortocircuito en los terminales de la batería, podrían producirse quemaduras o incendios.

- d) **En condiciones de uso intensivo, es posible que se produzca una fuga de ácido de la batería. Evite el contacto con el ácido. Enjuague con agua si se produce un contacto accidental. Si el líquido entra en contacto con los ojos, solicite también atención médica.** El líquido que emana de la batería puede provocar irritaciones o quemaduras.
- e) **No utilice una batería o una herramienta que haya sido modificada o que esté dañada.** Las baterías dañadas o modificadas pueden tener un comportamiento impredecible y provocar un incendio, explosión o riesgo de lesiones.
- f) **No exponga la batería ni la herramienta al fuego ni a una temperatura excesiva.** La exposición al fuego o a una temperatura superior a 130°C podría provocar una explosión.
- g) **Siga todas las instrucciones de carga y no cargue la batería ni la herramienta fuera del rango de temperatura especificado en las instrucciones.** Una carga incorrecta o a temperaturas fuera del rango especificado puede dañar la batería y aumentar el riesgo de incendio.
- 6) **SERVICIO TÉCNICO**
  - a) **Las reparaciones de las herramientas eléctricas debe realizarlas un técnico cualificado, utilizando solo piezas de recambio idénticas.** De este modo, podrá garantizarse la seguridad de uso de la herramienta eléctrica.
  - b) **No repare nunca baterías que estén dañadas.** Las baterías solo debe repararlas el fabricante o un centro de servicio técnico autorizado.

## ADVERTENCIAS DE SEGURIDAD PARA SIERRAS CIRCULARES INALÁMBRICAS

### 1) PROCEDIMIENTOS DE CORTE

- a) **⚠ PELIGRO : Mantenga las manos alejadas de la zona de corte y de la hoja.** Mantenga su segunda mano en el mango auxiliar o en la carcasa del motor. Si ambas manos sostienen la sierra, no pueden ser cortadas por la hoja.
- b) **No introduzca la mano por debajo de la pieza.** El dispositivo de protección no puede protegerle de la hoja debajo de la pieza de trabajo.
- c) **Ajustar la profundidad de corte al grosor de la pieza.** Debe verse menos de un diente completo de los dientes de la hoja por debajo de la pieza de trabajo.
- d) **No sujete nunca la pieza de trabajo que está cortando con las manos ni sobre la pierna. Sujete la pieza de trabajo a una plataforma estable.** Es importante apoyar el trabajo adecuadamente para minimizar la exposición del cuerpo, el atascamiento de la hoja o la pérdida de control.
- e) **Sujete la herramienta eléctrica solo por las superficies de agarre aisladas al realizar trabajos en los que la herramienta pueda tocar conductores eléctricos ocultos o el propio cable** (el contacto con conductores bajo tensión puede hacer que las partes

metálicas de la herramienta eléctrica le provoquen una descarga eléctrica)

- f) **Al copiar, utilice siempre una guía paralela o una guía de borde recto.** Esto mejora la precisión del corte y reduce la posibilidad de que la hoja se atasque.
- g) **Utilice siempre hojas del tamaño correcto y con la forma adecuada (rombo o redonda) del agujero.** Las hojas que no coincidan con el equipo de montaje de la sierra funcionarán descentradas y provocarán una pérdida de control.
- h) **Nunca use arandelas o pernos de hoja dañados o incorrectos.** Las arandelas y el perno de la hoja han sido diseñados especialmente para su sierra, para lograr un rendimiento óptimo y un funcionamiento seguro.
- 2) **CAUSAS DEL RETROCESO Y OTRAS ADVERTENCIAS RELACIONADAS**
  - El retroceso es una reacción repentina a una hoja de sierra enganchada, atascada o desalineada, que hace que la sierra incontrolada se levante y salga de la pieza de trabajo hacia el usuario.
  - Cuando la hoja se engancha o se atasca con fuerza debido al cierre de la ranura, la hoja se detiene y la reacción del motor impulsa la unidad rápidamente hacia el usuario.
  - Si la hoja se tuerce o se desalinea en el corte, los dientes del borde posterior de la hoja pueden clavarse en la superficie superior de la madera y hacer que la hoja salga de la ranura y salte hacia el usuario.
  - El retroceso se produce debido a un uso o funcionamiento incorrecto de la herramienta eléctrica, o debido a su mal estado. Podrá evitarse adoptando las medidas preventivas que se detallan a continuación.
- a) **Mantenga un agarre firme de la sierra con los dos manos y coloque los brazos de forma que resistan las fuerzas de retroceso. Coloque su cuerpo a ambos lados de la hoja, pero no en línea con la hoja.** El retroceso puede hacer que la sierra salte hacia atrás, pero el usuario puede controlar las fuerzas de retroceso adoptando las precauciones adecuadas.
- b) **Cuando la hoja se atasque, o cuando interrumpa un corte por cualquier motivo, suelte el gatillo y mantenga la sierra inmóvil en el material hasta que la hoja se detenga por completo. Nunca intente sacar la sierra de la pieza de trabajo ni tirar de la sierra hacia atrás mientras la hoja está en movimiento, ya que podría producirse un retroceso.** Investigue y tome medidas correctivas para eliminar la causa del atascamiento de la hoja. Evite cortar clavos o tornillos.
- c) **Cuando vuelva a poner en marcha la sierra en la pieza de trabajo, centre la hoja de la sierra en la ranura y compruebe que los dientes de la sierra no se enganchen en el material.** Si la hoja de sierra se atasca, puede subir o retroceder desde la pieza de trabajo cuando se vuelve a encender la sierra.
- d) **Apoye los paneles grandes para minimizar el riesgo de que la hoja se enganche y se produzca un retroceso. Los paneles grandes tienden a combarse por su propio peso.** Los soportes deben colocarse debajo del panel en ambos lados, cerca de la línea de corte y cerca del borde del panel.
- e) **No utilice hojas desafiladas o dañadas.** Las hojas que no estén afiladas o que estén mal ajustadas

producen un corte estrecho que provoca un exceso de fricción, atasco de la hoja y retroceso.

- f) **Las palancas de bloqueo de ajuste de bisel y profundidad de la hoja deben estar apretadas y seguras antes de realizar el corte.** Si el ajuste de la hoja se desplaza durante el corte, puede causar atascamiento y retroceso.
- g) **Tenga especial cuidado al cortar en paredes existentes u otras áreas ciegas.** La hoja que sobresale puede cortar objetos que podrían provocar un retroceso.
- 3) FUNCIONAMIENTO DE LA PROTECCIÓN INFERIOR**
- a) **Verifique que la protección inferior cierre correctamente antes de cada uso. No opere la sierra si la protección inferior no se mueve libremente y no se cierra al instante. Nunca sujete ni ate la protección inferior en la posición abierta.** Si la sierra se cae accidentalmente, la protección inferior puede doblarse. Levante la protección inferior con el mango retráctil y asegúrese de que se mueva libremente y no toque la hoja ni ninguna otra parte, en todos los ángulos y profundidades de corte.
- b) **Verifique el funcionamiento del resorte de la protección inferior. Si la protección y el resorte no funcionan correctamente, deben repararse antes del uso.** La protección inferior puede funcionar con lentitud debido a piezas dañadas, depósitos gomosos o acumulación de residuos.
- c) **La protección inferior debería retraerse manualmente solo para cortes especiales como cortes de inmersión y cortes compuestos. Levante la protección inferior por el mango retráctil y en cuanto la hoja entre en el material, la protección inferior debe soltarse.** Para todos los demás trabajos de serrado, la protección inferior debe funcionar automáticamente.
- d) **Compruebe siempre que la protección inferior cubra la hoja antes de colocar la sierra en un banco o en el suelo.** Una hoja que se desplaza sin protección hará que la sierra se mueva hacia atrás, cortando todo lo que se encuentre en su camino. Tenga en cuenta el tiempo que tarda la hoja en detenerse después de soltar el interruptor.

## ADVERTENCIAS DE SEGURIDAD ADICIONALES

### GENERAL

- Esta herramienta no deben utilizarla personas menores de 16 años
- Esta herramienta no es apta para corte húmedo
- **No procese materiales que contengan amianto** (el amianto se considera cancerígeno)
- El polvo de materiales como pintura que contenga plomo, algunas especies de madera, minerales y metal podría producir reacciones alérgicas y trastornos respiratorios al usuario o a otras personas que se encuentren en la zona); **utilice una máscara contra el polvo y trabaje con un dispositivo de extracción de polvo cuando se pueda conectar**
- Ciertos tipos de polvo están catalogados como cancerígenos (por ejemplo, el polvo de roble y de haya) especialmente junto con aditivos para el acondicionamiento de la madera; **utilice una máscara contra el polvo y trabaje con un dispositivo de**

### extracción de polvo cuando se pueda conectar

- Siga la normativa nacional en cuanto a extracción de polvo, en función de los materiales que vayan a ser utilizados
- No utilice esta sierra en combinación con una mesa de sierra
- Quite la batería de la herramienta antes de realizar cualquier ajuste o cambiar los accesorios

### ACCESORIOS

- SKIL Únicamente puede garantizar un funcionamiento correcto de la herramienta si se emplean accesorios originales
- Únicamente use hojas de sierra con las características indicadas en estas instrucciones de manejo que hayan sido ensayadas y vayan marcadas conforme a EN 847-1
- Utilice únicamente accesorios cuyo límite de revoluciones permitido sea como mínimo igual a las revoluciones en vacío máximas de la herramienta
- Utilice únicamente hojas de sierra con un diámetro mínimo de 184 mm, un diámetro máximo de 184 mm y un orificio para el eje de 16 mm
- No utilice nunca hojas de sierra de acero rápido (HSS)
- Nunca utilice discos de corte/amolado con esta herramienta

### ANTES DE USAR LA HERRAMIENTA

- Evite los daños que puedan causar los tornillos, clavos y otros objetos sobre la pieza de trabajo; retírelos antes de empezar a trabajar
- Quite todos los obstáculos que estén encima y debajo de la ruta de corte antes de comenzar a cortar
- **Asegure la pieza de trabajo** (una pieza de trabajo fijada con unos dispositivos de sujeción o en un tornillo de banco, se mantiene sujeta de forma mucho más segura que con la mano)
- **Utilice aparatos de detección adecuados para localizar posibles conductores o tuberías ocultas, o consulte a su compañía abastecedora** (el contacto con conductores eléctricos puede provocar una descarga eléctrica e incluso un incendio; al dañar una tubería de gas puede producirse una explosión; la perforación de una tubería de agua puede causar daños materiales o una descarga eléctrica)

### DURANTE EL USO

- El nivel de ruido durante el trabajo puede superar los 85 dB(A); use protección para los oídos
- Nunca utilice la herramienta sin el sistema de protección original
- No intente cortar piezas de trabajo extremadamente pequeñas
- No trabaje por encima de la cabeza con la herramienta
- En caso de que se produzca un atasco o una avería eléctrica o mecánica, apague inmediatamente la herramienta y quite la batería

### DESPUÉS DEL USO

- Cuando guarde la herramienta, apague el motor y asegúrese de que todas las piezas móviles estén completamente paradas
- Después de apagar la sierra circular, nunca detenga la rotación de la hoja mediante una fuerza lateral aplicada contra ella

### BATERÍAS

- La batería se entrega parcialmente cargada (para poder aprovechar toda la capacidad de la batería, cárguela por completo en el cargador antes de utilizar la herramienta eléctrica por primera vez)
- Utilice únicamente los siguientes cargadores y baterías



con esta herramienta

- Batería SKIL: BR1\*31\*\*\*\*
- Cargador SKIL: CR1\*31\*\*\*\*
- No utilice la batería si está deteriorada, es necesario cambiarla.
- No desarme la batería
- No exponga la herramienta/batería a la lluvia
- Temperatura ambiente permitida (herramienta/cargador/batería):
  - durante l carga 4...40 °C
  - durante el funcionamiento -20...+50 °C
  - durante el almacenamiento -20...+50 °C

#### EXPLICACIÓN DE LOS SÍMBOLOS EN LA HERRAMIENTA/BATERÍA

- ③ Lea el manual de instrucciones antes de utilizarla
- ④ Las baterías pueden explotar si se tiran al fuego; por tanto, no las quemé por ningún motivo
- ⑤ Guarde la herramienta/cargador/batería en un lugar donde la temperatura no exceda los 50 °C
- ⑥ No deseche las herramientas eléctricas y las pilas junto con los residuos domésticos

### MODO DE EMPLEO

- Recarga de la batería
  - ! **Lea las instrucciones y la advertencias de seguridad incluidas con el cargador.**
- Desmontaje/instalación de la batería ②
- Montaje de la hoja de sierra ②
  - ! **Quite la batería de la herramienta**
  - Tome la llave hexagonal A del alojamiento B
  - Presione el botón de bloqueo del eje C y sujételo mientras extrae el tornillo de la hoja D girando la llave hexagonal A EN SENTIDO ANTIHORARIO (= en la misma dirección que la de la flecha impresa en la hoja de la sierra)
  - ! **Apriete el botón de bloqueo del eje C solamente cuando la herramienta se haya detenido.**
  - Suelte el botón de bloqueo del eje C
  - Quite la brida E
  - ! **Asegúrese de que las superficies de enganche H de las bridas estén perfectamente limpias y estén encaradas a la hoja.**
  - Abra la protección inferior F con la palanca G y sujétela mientras monta la hoja de sierra con los dientes de la sierra y la flecha impresa en la hoja apuntando en la misma dirección que la flecha mostrada en la protección inferior
  - Suelte la protección inferior F
  - Monte la brida E
  - Pulse el botón de bloqueo del eje C y manténgalo pulsado mientras aprieta el tornillo de la hoja con la llave hexagonal dando 1/8 de giro después de que esté apretado al máximo con los dedos (asegura que la hoja de sierra resbale si encuentra excesiva resistencia, y evita que el motor se sobrecargue y la sierra retroceda)
  - Suelte el botón de bloqueo del eje C
- Ajuste de la profundidad de corte (0-66 mm) ⑦
  - Para un corte de calidad óptima, la hoja de sierra no debe sobresalir más de 3 mm por debajo de la pieza de trabajo
  - Afloje la perilla J
  - Levante/baje la base K hasta que la profundidad de corte deseada esté ajustada en la escala, usando para

ello el indicador L

- Apriete la perilla J
- Indicador del nivel de carga de la batería ⑧
  - Pulse el botón indicador del nivel de carga de la batería AC para ver el nivel actual de carga ⑧a
  - ! **Cuando empiece a parpadear el nivel inferior del indicador de la batería después de pulsar el botón AC ⑧b, significa que la batería está descargada.**
  - ! **Cuando empiecen a parpadear 2 niveles del indicador de la batería después de pulsar el botón AC ⑧c, significa que la batería no está dentro del rango de temperatura de funcionamiento permitido.**
- Luz LED ⑫ V
  - El indicador LED se enciende automáticamente cuando se activa el interruptor de encendido/apagado.
  - ! **Cuando el indicador LED empieza a parpadear, se activa la protección de la batería (véase a continuación)**
- Protección de la batería
  - La herramienta se apaga repentinamente o se impide que se encienda, cuando
    - **la carga es demasiado alta** --> retire la carga y vuelva a ponerla en marcha
    - **la temperatura de la batería no se encuentra dentro del rango admisible de temperaturas de funcionamiento entre -20 °C y +50 °C** --> los 2 niveles del indicador de la batería empiezan a parpadear cuando se pulsa el botón AC ⑧c; espere hasta que la batería vuelva a estar dentro del rango admisible de temperaturas de funcionamiento
    - **la batería está casi descargada (como protección contra una descarga intensa)** --> el indicador del nivel de la batería señala un nivel bajo de carga o un nivel bajo de carga intermitente ⑧b cuando se pulsa el botón AC; cargue la batería
  - ! **No siga pulsando el interruptor de encendido/apagado después de que se apague automáticamente la herramienta; se puede dañar la batería.**
- Ajuste del ángulo de corte (0-56°) ⑩
  - Afloje la palanca M
  - Incline la herramienta hasta que el ángulo de corte deseado esté ajustado en la escala, usando para ello el indicador N
  - el tope de bisel de 45° P ofrece un ajuste rápido del ángulo de bisel de 45°
  - para ajustar un ángulo de bisel superior a 45°, gire el tope de bisel de 45° P para sacarlo del indicador N
  - Apriete la palanca M
  - ! **Para cortes biselados, la profundidad de corte se corresponde con el valor en la escala de profundidad de corte**
- Indicador de línea de corte Q ⑩
  - Para guiar la herramienta a lo largo de la línea de corte deseada marcada en la pieza de trabajo
  - Para un corte recto de 0° o un corte biselado de 45° utilice la línea indicadora correspondiente
  - ! **La parte ancha de la base debe de reposar en el soporte de la pieza de trabajo**
  - ! **La anchura de corte viene determinada por el ancho de los dientes de la hoja y no por el ancho del cuerpo de la sierra**

### ! Realice siempre cortes de prueba para verificar la línea de corte real

- Aspiración de polvo <sup>(11)</sup>  
Conecte el adaptador de aspiradora R a la sierra con el tornillo de cabeza Phillips  
Para usar aspiradora
  - Conecte la manguera de la aspiradora al adaptador de aspiradora R

### ! Nunca permita que la manguera del aspirador interfiera con la protección inferior o con la operación de corte.

- Depósito de polvo
  - Monte el depósito de polvo AD

- Utilización de la herramienta
  - Monte la batería
  - Sujete siempre firmemente el mango S con una mano y el mango T firmemente con la otra mano
  - Coloque la herramienta con el extremo frontal del pie de forma plana sobre la pieza de trabajo

### ! Asegúrese de que los dientes de la hoja no estén encajados en la pieza de trabajo

- Encienda la herramienta pulsando primero el interruptor de seguridad W y después el gatillo Y

### ! La herramienta debe funcionar a la velocidad máxima antes de que la hoja penetre en la pieza de trabajo

- La protección inferior F se abre automáticamente cuando la hoja de sierra penetra en la pieza de trabajo (abrir la protección inferior manualmente con la palanca G solo para cortes especiales como cortes de inmersión)

### ! No fuerce la herramienta (aplique una presión ligera y continua para evitar que se recalienten los dientes de la hoja)

- Después de haber realizado el corte, pare la herramienta soltando el gatillo Y

### ! Asegúrese de que la hoja esté completamente parada antes de levantar la herramienta de la pieza de trabajo

## CONSEJOS DE APLICACIÓN

- Coloque siempre el lado bueno de la pieza de trabajo mirando hacia abajo para asegurar el mínimo astillado
- Utilice únicamente hojas de sierra afiladas del tipo correcto <sup>(13)</sup>
  - La calidad del corte mejora con el número de dientes
  - Las hojas de sierra con dientes de carburo se mantienen afiladas hasta 30 veces más que las hojas normales
- Cortes transversales/cortes de rasgado <sup>(14)</sup>  
Los cortes transversales o al hilo son fáciles de hacer con una guía paralela Z.
  - Alinee la guía con el indicador de línea de corte 0° de la base
  - Introduzca una guía paralela Z a través de las ranuras de cada lado de la base hasta alcanzar la anchura deseada y fíjela con el botón AA
- ! Asegúrese de que la guía paralela no interfiera con el libre movimiento de la protección inferior y la hoja de sierra
- Corte de incisión <sup>(15)</sup>
  - Establezca la profundidad de corte deseada
  - Incline la herramienta hacia adelante con el indicador

de la línea de corte Q alineado con la línea de corte deseada y marcada en la pieza de trabajo

- Abra la protección inferior F con la palanca G
- Justo antes de que la hoja entre en la pieza de trabajo, encienda la herramienta y baje gradualmente el extremo posterior de la herramienta usando el extremo delantero de la base como punto de articulación
- Mueva gradualmente la herramienta hacia abajo y hacia adelante
- En cuanto la hoja entre en el material, suelte la palanca G

### ! Nunca tire de la herramienta hacia atrás

- Cortar tableros largos <sup>(16)</sup>
  - Apoye el tablero cerca del corte ya sea en el suelo, mesa o banco de trabajo

### ! Ajuste la profundidad de corte de manera que se corte a través del panel y no del soporte

- En caso de que la guía paralela no permita la anchura de corte deseada, empalme o clave una pieza de madera recta a la pieza de trabajo como guía, y use la parte izquierda de la base contra esta guía <sup>(17)</sup>
- Corte con carril guía <sup>(19)</sup> \*NO SE INCLUYE DE SERIE  
El uso de un carril guía permite hacer cortes precisos, rectos y exactos, ya sea en cortes de 0° o con bisel de 45°.

Antes de realizar el primer corte con el carril guía, el labio de goma debe adaptarse a la sierra circular utilizada.

- Para un corte recto de 0°, alinee el lado del bisel de 0° del carril AE (o el lado del bisel de 45° cuando haga un corte en bisel de 45°) con la línea de corte deseada marcada en la pieza
- Fije el carril guía AE en la pieza con las abrazaderas de carril guía AF <sup>(18)</sup>\*NO SE INCLUYE DE SERIE
- Deslice la sierra sobre el carril AE y gire los botones de ajuste de la ranura de la guía U en sentido horario para minimizar el espacio entre la ranura de la base y el nervio elevado del carril AE, y asegúrese de que la sierra pueda deslizarse libremente sobre el carril sin oscilar hacia los lados.
- Cuando ajuste la profundidad de corte, recuerde tener en cuenta el grosor del carril guía AE
- Guíe la sierra uniformemente con un avance lento a través del extremo del carril
- Si desea más información, visite [www.skil.com](http://www.skil.com)

## SERVICIO DE MANTENIMIENTO


- Esta herramienta no está concebida para uso profesional.
- ¡Mantenga la herramienta siempre limpia!  
! extraiga la batería de la herramienta antes de la limpieza
- Mantenga siempre limpia la zona alrededor de la protección inferior F <sup>(2)</sup> (elimine el polvo y las virutas soplando con aire comprimido o con un cepillo)
- Limpie la hoja de sierra inmediatamente después del uso (sobre todo de resina y pegamento)
- Si la herramienta falla a pesar del cuidado puesto en los procedimientos de fabricación y comprobación, la reparación debe ser llevada a cabo por un centro de servicio postventa de herramientas eléctricas SKIL
  - Envíe la herramienta **sin desmontar** junto con una prueba de su compra a su distribuidor o al centro de servicio técnico más cercano de SKIL (las direcciones

y el diagrama de despiece de la herramienta están en [www.skil.com](http://www.skil.com))

- Tenga en cuenta que los daños debido a sobrecarga o a un manejo inadecuado del producto estarán excluidos de la garantía (consulte las condiciones de garantía de SKIL en [www.skil.com](http://www.skil.com) o consulte a su distribuidor)

## MEDIO AMBIENTE

Solo para países de la UE

- **No elimine las herramientas eléctricas, los accesorios y los embalajes junto con los residuos domésticos**
  - De conformidad con la Directiva Europea 2012/19/CE sobre residuos de aparatos eléctricos y electrónicos y su aplicación de acuerdo con la legislación nacional, las herramientas eléctricas cuya vida útil haya llegado a su fin se deberán recoger por separado y trasladar a una planta de reciclaje que cumpla con las exigencias ecológicas
  - El símbolo  llamará su atención cuando sea necesaria la eliminación
- ! **Antes de eliminarla, proteja los terminales de la batería con cinta aislante para evitar un cortocircuito.**

## RUIDOS / VIBRACIONES


- Realizando mediciones según EN62841, el nivel de presión acústica de esta herramienta es 91,5 dB(A) y el nivel de potencia acústica es de 102 dB(A) (incertidumbre K = 3 dB), y la vibración es \* (suma vectorial triaxial; incertidumbre K = 1,5 m/s<sup>2</sup>) \* corte de madera <2,5 m/s<sup>2</sup>
- El nivel de emisión de vibraciones ha sido medido según una prueba estándar proporcionada en la norma EN 62841; puede utilizarse para comparar una herramienta con otra y como valoración preliminar de la exposición a las vibraciones al utilizar la herramienta con las aplicaciones mencionadas
  - Al utilizarla para distintas aplicaciones o con accesorios diferentes o con un mantenimiento deficiente, podría **aumentar** de forma considerable el nivel de exposición
  - En las ocasiones en que se apaga la herramienta o cuando está funcionando pero no está realizando ningún trabajo, se podría **reducir** considerablemente el nivel de exposición
- ! **Protéjase contra los efectos de la vibración realizando el mantenimiento de la herramienta y sus accesorios, manteniendo sus manos calientes y organizando sus patrones de trabajo.**

P

## Serra circular sem escovas e sem fios

3571

## INTRODUÇÃO

- Esta ferramenta foi criada para cortar madeira com corte retos e cruzados, bem como corte angulares até 56°.
- Esta ferramenta não foi criada para utilização profissional.
- Leia e guarde este manual de instruções .


## CARACTERÍSTICAS TÉCNICAS

## ELEMENTOS DA FERRAMENTA

- A Chave sextavada
  - B Espaço de arrumação da chave sextavada
  - C Botão de bloqueio do eixo
  - D Parafuso da lâmina
  - E Rebordo
  - F Proteção inferior
  - G Alavanca para abrir a proteção inferior
  - H Superfície de fixação
  - J Manipulo para definir a profundidade de serrar
  - K Placa do pé
  - L Indicador da profundidade de corte
  - M Alavanca para ajustar o ângulo de corte
  - N Indicador do ângulo de corte
  - P Batente de esquadria falsa de 45°
  - Q Indicador da linha de corte
  - R Adaptador do aspirador
  - S Pega traseira
  - T Pega dianteira
  - U Manipulos para ajustar a ranhura de orientação
  - V Luz LED
  - W Interruptor de segurança
  - X Ranhura de orientação
  - Y Gatilho do interruptor
  - Z Guia paralela
  - AA Manipulo para ajustar a guia paralela
  - AB Gancho
  - AC Indicador do nível da bateria
  - AD Saco do pó
  - AE Calhas guia\*
  - AF Braçadeira das calhas guia\*
- \* NÃO INCLUIDO

## SEGURANÇA

### AVISOS DE SEGURANÇA GERAIS DA FERRAMENTA ELÉTRICA

 **AVISO: Leia todos os avisos de segurança, instruções, ilustrações e especificações fornecidas com esta ferramenta elétrica.** Não seguir todas as instruções apresentadas abaixo pode resultar em choque elétrico, incêndio e/ou ferimentos graves.

**Guarde todos os avisos e instruções para futuras referências.**

O termo "ferramenta elétrica" nos avisos diz respeito à sua ferramenta alimentada pela rede (com fio) ou com bateria (sem fio).

### 1) SEGURANÇA NA ÁREA DE TRABALHO

- a) **Mantenha a área de trabalho limpa e bem iluminada.** Áreas desarrumadas ou escuras são propícias a acidentes.
- b) **Não utilize ferramentas elétricas em ambientes explosivos, por exemplo, na presença de líquidos, gases ou pós inflamáveis.** As ferramentas elétricas geram faíscas que podem provocar a ignição dos fumos ou pó.

- c) **Mantenha as crianças e pessoas que passem afastadas enquanto trabalhar com a ferramenta elétrica.** As distrações podem fazer com que perca o controlo.
- 2) SEGURANÇA ELÉTRICA**
- a) **As fichas da ferramenta elétrica têm de corresponder à tomada. Nunca modifique uma ficha de forma alguma. Não utilize qualquer adaptador com ferramentas elétricas com ligação à terra.** Fichas não modificadas e tomadas correspondentes reduzirão o risco de choque elétrico.
- b) **Evite o contacto do corpo com superfícies ligadas à terra, tais como tubos, radiadores, bases e frigoríficos.** Existe um risco acrescido de choque elétrico se o seu corpo estiver ligado à terra.
- c) **Não exponha as ferramentas elétricas à chuva ou a condições húmidas.** A entrada da água na ferramenta elétrica aumentará o risco de choque elétrico.
- d) **Não force o fio. Nunca utilize o fio para transportar, puxar ou desligar a ferramenta elétrica. Mantenha o fio afastado do calor, óleo, arestas afiadas ou peças móveis.** Fios danificados ou presos aumentam o risco de choque elétrico.
- e) **Quando estiver a trabalhar com uma ferramenta elétrica ao ar livre, utilize uma extensão adequada para a utilização no exterior.** A utilização de um fio adequado ao exterior reduz o risco de choque elétrico.
- f) **Se for inevitável trabalhar com uma ferramenta elétrica num local húmido, use um dispositivo de corrente residual.** A utilização de um DCR reduz o risco de choque elétrico.
- 3) SEGURANÇA PESSOAL**
- a) **Mantenha-se alerta, observe o que está a fazer e use senso comum quando estiver a trabalhar com uma ferramenta elétrica. Não use uma ferramenta elétrica enquanto estiver cansado ou sob o efeito de drogas, álcool ou medicação.** Um momento de falta de atenção enquanto trabalha com ferramentas elétricas pode resultar em ferimentos graves.
- b) **Use equipamento pessoal de proteção. Use sempre proteção ocular.** O equipamento de segurança, tal como máscara respiratória, calçado de segurança antiderrapante, capacete de segurança ou proteção auditiva, utilizado nas condições adequadas reduzirá a hipótese de ferimentos.
- c) **Evite ligações sem intenção. Certifique-se de que o interruptor se encontra na posição de desligado antes de ligar a fonte de energia e/ou à bateria ao agarrar ou transportar a ferramenta.** Transportar ferramentas elétricas com o seu dedo no interruptor ou fornecer energia a ferramentas elétricas que tenham o interruptor na posição de ligado convida a acidentes.
- d) **Retire qualquer chave de ajuste ou chave de fendas antes de ligar a energia.** Uma chave de porcas ou uma chave deixada ligada a uma peça rotativa da ferramenta elétrica pode provocar ferimentos.
- e) **Não se estique demasiado. Mantenha sempre a base e o equilíbrio adequados.** Isso proporciona um melhor controlo da ferramenta elétrica em situações inesperadas.
- f) **Vista-se adequadamente. Não use roupa larga nem joias. Mantenha o seu cabelo e roupa afastados das peças móveis.** Roupas largas, joias ou cabelo comprido

- podem ser apanhados pelas peças em movimento.
- g) **Se forem fornecidos dispositivos para a extração de poeiras e instrumentos de recolha, certifique-se de que estão ligados e que são utilizados de forma correta.** A utilização de dispositivos de extração do pó pode reduzir os perigos relacionados com o pó.
- h) **Não permita que a familiaridade ganhe com a utilização de ferramentas o torne mais complacente e ignore os princípios de segurança da ferramenta.** Uma ação descuidada pode causar graves ferimentos numa fração de segundo.
- 4) UTILIZAÇÃO E CUIDADOS COM A FERRAMENTA ELÉTRICA**
- a) **Não force a ferramenta elétrica. Utilize a ferramenta elétrica correta para a sua aplicação.** A ferramenta elétrica correta fará o trabalho melhor e de forma mais segura ao ritmo para o qual foi concebida.
- b) **Não utilize a ferramenta elétrica se o interruptor não a ligar ou desligar.** Qualquer ferramenta que não possa ser controlada com o interruptor é perigosa e deve ser reparada.
- c) **Desligue a ficha da alimentação e/ou retire a bateria da ferramenta elétrica, se amovível, antes de fazer quaisquer ajustes, mudar de acessórios ou armazenar a ferramenta elétrica.** Tais medidas preventivas de segurança reduzem o risco de ligar a ferramenta elétrica acidentalmente.
- d) **Guarde ferramentas elétricas desligadas fora do alcance de crianças e não permita que pessoas estranhas às ferramentas elétricas ou a estas instruções trabalhem com a ferramenta elétrica.** As ferramentas elétricas são perigosas nas mãos de utilizadores sem formação.
- e) **Proceda à manutenção das ferramentas elétricas e acessórios. Verifique desalinhamentos ou bloqueios das peças móveis, peças partidas e quaisquer outras condições que possam afetar o funcionamento da ferramenta elétrica. Caso a ferramenta apresente danos, esta deverá ser entregue para reparação antes de voltar a ser utilizada.** Muitos acidentes são provocados pela fraca manutenção das ferramentas elétricas.
- f) **Mantenha as ferramentas de corte afiadas e limpas.** Ferramentas de corte devidamente mantidas e com arestas de corte afiadas têm uma menor probabilidade de prender e são mais fáceis de controlar.
- g) **Use a ferramenta elétrica, acessórios e brocas, etc., de acordo com estas instruções, tendo em conta as condições de trabalho e o trabalho a ser efetuado.** A utilização da ferramenta elétrica para operações diferentes daquelas para que foi criada pode dar origem a uma situação perigosa.
- h) **Mantenha as pegas e superfícies de prensão secas, limpas e sem óleo ou gordura.** Pegas e superfícies de prensão escorregadias não permitem o manuseamento seguro nem o controlo da ferramenta em situações inesperadas.
- 5) UTILIZAÇÃO E CUIDADOS DA BATERIA DA FERRAMENTA**
- a) **Recarregue apenas com o carregador especificado pelo fabricante.** Um carregador que seja adequado a um tipo de bateria pode criar um risco de incêndio quando usado com outra bateria.

- b) **Use ferramentas elétricas apenas com as baterias especificamente designadas.** A utilização de outras baterias pode criar um risco de ferimentos e incêndio.
  - c) **Quando não usar a bateria, mantenha-a afastada de outros objetos de metal, como cliques para papel, moedas, chaves, pregos, parafusos ou outros pequenos objetos de metal que possam fazer a ligação entre os dois terminais.** Colocar os terminais da bateria em curto-circuito pode dar origem a queimaduras ou fogo.
  - d) **Sob condições abusivas, pode ser ejetado líquido da bateria; evite o contacto. Se ocorrer um contacto accidental, lave com água abundante. Se o líquido entrar em contacto com os olhos, procure ajuda médica.** O líquido ejetado da bateria pode provocar irritação ou queimaduras.
  - e) **Não use a bateria nem a ferramenta se estiverem danificadas ou modificadas.** Baterias danificadas ou modificadas podem apresentar comportamentos imprevisíveis, dando origem a fogo, explosão ou risco de ferimentos.
  - f) **Não exponha a bateria ou a ferramenta ao fogo ou temperatura excessiva.** A exposição ao fogo ou a temperaturas acima dos 130 °C pode causar uma explosão.
  - g) **Siga todas as instruções de carregamento e não carregue a bateria nem a ferramenta a uma temperatura fora dos parâmetros especificados nas instruções.** Carregar incorretamente ou a temperaturas fora dos parâmetros especificados pode danificar a bateria e aumentar o risco de fogo.
- 6) REPARAÇÃO**
- a) **A reparação da sua ferramenta elétrica deverá ser sempre efetuada por pessoas qualificadas, utilizando apenas peças sobresselentes idênticas.** Isso garante que a segurança da ferramenta elétrica é mantida.
  - b) **Nunca tente reparar uma bateria danificada.** A reparação das baterias só deverá ser efetuada pelo fabricante ou por um reparador autorizado.

## AVISOS DE SEGURANÇA PARA SERRAS CIRCULARES SEM FIOS

### 1) PROCEDIMENTOS DE CORTE

- a) **⚠ PERIGO: Mantenha as mãos afastadas da área de corte e da lâmina. Mantenha a sua segunda mão na pega auxiliar ou estrutura do motor.** Se ambas as mãos estiverem a segurar a serra, não serão cortadas pela lâmina.
  - b) **Não se estique por baixo da peça a ser trabalhada.** A proteção não o protege da lâmina por baixo da peça a ser trabalhada.
  - c) **Ajuste a profundidade de corte para a grossura da peça a ser trabalhada.** Só deverá ser visível menos de um dente completo da lâmina por baixo da peça a ser trabalhada.
  - d) **Nunca segure a peça a ser cortada com as mãos ou entre as pernas. Fixe a peça a ser trabalhada numa plataforma estável.** É importante suportar a peça corretamente, para minimizar a exposição do corpo, lâmina presa ou perda de controlo.
- e) **Segure a ferramenta elétrica pelas superfícies isoladas quando efetuar qualquer operação em que o acessório de corte possa entrar em contacto com cablagem oculta ou com o seu próprio fio.** Se o acessório de corte entrar em contacto com um fio ligado à alimentação, as peças de metal expostas à eletricidade podem dar origem a um choque elétrico.
  - f) **Quando rasgar, use sempre uma guia paralela ou uma guia direita para extremidades.** Isto melhora a precisão de corte e reduz a hipótese da lâmina se prender.
  - g) **Use sempre lâminas com o tamanho e a forma corretos (em diamante ou redonda) dos orifícios.** As lâminas que não sirvam no material de montagem da lâmina funcionam descentradas, causando a perda de controlo.
  - h) **Nunca use anilhas ou parafusos da lâmina danificados ou incorretos.** As anilhas e parafusos da lâmina foram criados especialmente para a sua serra, para um desempenho ótimo e um funcionamento seguro.
- 2) AVISOS RELACIONADOS COM RESSALTOS**
- O ressalto é uma reação súbita de uma lâmina presa ou desalinhada, fazendo com que uma serra descontrolada levante e saia da peça a ser trabalhada em direção ao operador.
  - Quando a lâmina fica presa no entalhe, pára e a reação do motor faz com que a unidade se dirija rapidamente em direção ao operador.
  - Se a lâmina ficar torcida ou desalinhada no corte, os dentes na extremidade traseira da lâmina podem entrar na superfície superior da madeira, fazendo com que a lâmina saia do entalhe e salte em direção ao operador.
  - O ressalto é o resultado de uma utilização ou condições inadequadas ou incorretas da ferramenta e pode ser evitado tomando as devidas precauções apresentadas abaixo.
- a) **Segure bem a serra com ambas as mãos e coloque os braços de modo a resistir às forças de um ressalto. Coloque o corpo para um dos lados da lâmina, mas não em linha com a lâmina.** O ressalto pode fazer com que a serra salte para trás, mas os ressaltos podem ser controlados pelo operador, se forem tomadas as devidas medidas de precaução.
  - b) **Quando a lâmina fica presa, ou quando interromper um corte por qualquer razão, liberte o gatilho e segure a serra sem movimento no material, até que a lâmina pare por completo. Nunca tente retirar a serra da peça ou puxar a serra para trás enquanto a lâmina ainda estiver em movimento, caso contrário, pode ocorrer um ressalto.** Verifique e tome ações corretivas para eliminar a causa da lâmina presa. Evite cortar pregos e parafusos.
  - c) **Quando voltar a ligar uma serra na peça a ser trabalhada, centre a lâmina da serra no entalhe e verifique se os dentes da serra não estão presos no material.** Se a lâmina da serra estiver presa, pode subir ou ressaltar da peça a ser trabalhada quando voltar a ligar a serra.
  - d) **Suporte painéis grandes para minimizar o risco de prisão da lâmina e de ressaltos.** Os painéis grandes tendem a afundar no seu próprio peso. Os suportes têm de ser colocados por baixo do painel em ambos os lados, perto da linha de corte e perto da extremidade do

- painel.
- e) **Não use lâminas gastas ou danificadas.** Lâminas gastas ou mal colocadas produzem um entalhe curto, causando fricção excessiva, prisão da lâmina e ressaltos.
- f) **As alavancas de fixação e ajuste da esquadria e profundidade da lâmina têm de ser apertadas e fixadas antes de efetuar o corte.** Se o ajuste da lâmina se mover durante o corte, pode causar a prisão e ressalto da lâmina.
- g) **Tenha muito cuidado quando serrar em paredes existentes ou noutras áreas ocultas.** A lâmina saliente pode cortar objetos que podem causar um ressalto.
- 3) FUNÇÃO DA PROTEÇÃO INFERIOR**
- a) **Verifique a proteção inferior quanto a um fecho adequado antes de cada utilização. Não utilize a serra se a proteção inferior não se mover livremente e não se fechar instantaneamente. Nunca fixe nem ate a proteção inferior na posição aberta.** Se deixar cair acidentalmente a serra, a proteção inferior pode ficar dobrada. Levante a proteção inferior com a pega retrátil e certifique-se de que se move livremente e não toca na lâmina ou em qualquer outra parte, em todos os ângulos e profundidades de corte.
- b) **Verifique o funcionamento da mola da proteção inferior. Se a proteção e a mola não funcionarem corretamente, têm de ser reparadas antes da utilização.** A proteção inferior pode funcionar lentamente devido às peças danificadas, depósitos colantes ou a acumulação de lixo.
- c) **A proteção inferior deverá ser retraída manualmente apenas para cortes especiais, como “cortes de imersão” ou “cortes compostos”.** Levante a proteção inferior retraindo a pega e, mal a lâmina entre no material, tem de libertar a proteção inferior. Para qualquer outro tipo de serragem, a proteção inferior deverá funcionar automaticamente.
- d) **Verifique sempre se a proteção inferior está a cobrir a lâmina antes de colocar a serra em baixo no banco ou no chão.** Uma lâmina desprotegida e descida pode fazer com que a serra retroceda, cortando o que quer que se meta no caminho. Tenha cuidado com o tempo que a lâmina leva a parar após deixar de premir o interruptor.

## AVISOS ADICIONAIS DE SEGURANÇA

### GERAL

- Esta ferramenta não deverá ser utilizada por pessoas com menos de 16 anos.
- Esta ferramenta não é adequada para cortes molhados.
- **Não trabalhe em materiais que contêm amianto** (o amianto é considerado cancerígeno).
- As poeiras de materiais como tintas com chumbo, determinadas espécies de madeiras, minerais e metais podem ser prejudiciais (o contacto ou a inalação dessa poeira pode causar reações alérgicas e/ou doenças respiratórias no operador ou assistentes); **utilize uma máscara antipoeira e trabalhe com um dispositivo de extração de poeiras quando for possível ligar.**
- Determinados tipos de poeiras estão classificados como cancerígenos (como poeira de faia e carvalho) especialmente junto com aditivos para tratamento de madeiras; **utilize uma máscara antipoeira e trabalhe**

### com um dispositivo de extração de poeiras quando for possível ligar.

- Siga as normas nacionais referentes a poeiras para os materiais com que pretende trabalhar.
- Não use esta serra juntamente com uma mesa da serra.
- Retire sempre a bateria da ferramenta antes de efetuar quaisquer ajustes ou mudar de acessórios.

### ACESSÓRIOS

- A SKIL apenas pode assegurar um funcionamento sem defeitos da ferramenta quando utilizados acessórios originais.
- Use apenas lâminas da serra que correspondam aos dados técnicos apresentados nestas instruções de funcionamento, e que tenham sido testadas e assinaladas em conformidade com a EN 847-1.
- Utilize apenas acessórios com uma velocidade admissível que corresponda, pelo menos, à velocidade mais elevada sem carga da ferramenta.
- Use apenas lâminas da serra com um diâmetro mínimo de 184 mm, diâmetro máximo de 184 mm e um orifício do eixo de 16 mm.
- Nunca use lâminas fabricadas em aço de alta velocidade (HSS).
- Nunca use discos de corte/rebarbar com esta ferramenta.

### ANTES DA UTILIZAÇÃO

- Evite danos que possam ser causados por parafusos, pregos e outros elementos na sua peça a ser trabalhada. Retire-os antes de começar o trabalho.
- Retire os obstáculos por cima e por baixo do caminho de corte antes de começar a cortar.
- **Fixe a peça a ser trabalhada** (uma peça a ser trabalhada fixada num torno ou dispositivo de fixação está mais segura do que sendo segurada à mão).
- **Use detetores adequados para encontrar estas linhas na área de trabalho, ou contacte a empresa local da respetiva utilidade para obter ajuda.** O contacto com linhas elétricas pode dar origem a fogo ou choque elétrico; danificar uma tubagem do gás pode dar origem a explosão; penetrar um tubo da água pode causar danos patrimoniais ou choque elétrico.

### DURANTE A UTILIZAÇÃO

- O nível de ruído durante o trabalho pode exceder 85 dB(A). Use proteção auditiva.
- Nunca use a ferramenta sem o sistema de proteção de segurança original.
- Não tente cortar peças extremamente pequenas.
- Não trabalhe uma peça por cima de si.
- No caso de obstrução ou avaria mecânica ou elétrica, desligue imediatamente a ferramenta e retire a bateria.

### DEPOIS DE UTILIZAR

- Quando pousar a ferramenta, desligue o motor e certifique-se de que todas as peças móveis estão completamente paradas.
- Depois de desligar a sua serra circular, nunca aplique força para impedir a rotação da lâmina da serra.

### BATERIAS

- A bateria fornecida vem parcialmente carregada. Para garantir a capacidade completa da bateria, carregue por completo a bateria no carregador antes de usar a sua ferramenta elétrica pela primeira vez.
- Use apenas as seguintes baterias e carregadores com esta ferramenta
  - Bateria SKIL: BR1\*31\*\*\*\*
  - Carregador SKIL: CR1\*31\*\*\*\*



- Não use a bateria danificada. Esta deverá ser substituída.
- Não desmonte a bateria.
- Não exponha a ferramenta/bateria à chuva.
- Temperatura ambiente permitida (ferramenta/carregador/bateria):
- A carregar: 4 40 °C
- Durante o funcionamento: -20 50 °C
- Durante o armazenamento: -20 50 °C

## EXPLICAÇÃO DOS SÍMBOLOS NA FERRAMENTA/BATERIA

- Leia o manual de instruções antes da utilização.
- As baterias podem explodir quando atiradas para o fogo, por isso, nunca queime uma bateria.
- Guarde a ferramenta/carregador/bateria num local onde a temperatura não exceda os 50 °C.
- Não elimine ferramentas elétricas juntamente com o lixo doméstico comum.

## UTILIZAÇÃO

- Carregar a bateria
  - ! Leia os avisos de segurança e as instruções fornecidas com o carregador!**
- Remover/Instalar a bateria ②
- Montagem da lâmina da serra ②
  - ! Retire a bateria da ferramenta.**
- Retire a chave sextavada A do espaço de arrumação B.
- Prima o botão de bloqueio do eixo C e mantenha-o premido enquanto retira o parafuso da lâmina D rodando a chave sextavada A NO SENTIDO INVERSO AO DOS PONTEIROS DO RELÓGIO (= na mesma direção que a seta impressa na lâmina da serra).
  - ! Prima o botão de bloqueio do eixo C apenas quando a ferramenta estiver parada.**
- Liberte o botão de bloqueio do eixo C.
- Retire o rebordo E.
  - ! Certifique-se de que as superfícies de fixação H dos rebordos estão perfeitamente limpas e viradas para a lâmina.**
- Abra a proteção inferior F com a alavanca G e mantenha-a aberta enquanto monta a lâmina da serra com os dentes e a seta impressa virados na mesma direção que a seta da proteção inferior.
- Liberte a proteção inferior F.
- Monte o rebordo E.
- Prima o botão de bloqueio do eixo C e mantenha-o premido enquanto aperta o parafuso da lâmina com a chave sextavada 1/8 de volta após o aperto com a mão (garante que a lâmina da serra desliza quando encontra resistência excessiva, reduzindo assim a sobrecarga do motor e ressaltos da serra).
- Liberte o botão de bloqueio do eixo C.
- Ajustar a profundidade de corte (0-66 mm) ⑦
- Para um corte com uma qualidade ótima, a lâmina da serra não deverá passar dos 3 mm abaixo da peça a ser trabalhada.
- Desaperte o manipulador J.
- Levante/baixar o pé K até que a profundidade de corte desejada seja definida na escala usando o indicador L.
- Aperte o manipulador J.
- Indicador do nível da bateria ⑧
- Prima o botão do indicador do nível da bateria AC para ver o atual nível da bateria ⑧a.
  - ! Quando o nível mais baixo do indicador da bateria**

**começar a piscar após premir o botão AC b, a bateria está descarregada.**

**! Quando 2 níveis do indicador da bateria começarem a piscar após premir o botão AC c, a bateria não se encontra dentro da temperatura de funcionamento permitida.**

- Luz LED ⑩ V
  - A luz LED liga-se automaticamente quando ativar o interruptor de ligar/desligar.
  - ! Quando a luz LED começar a piscar rapidamente, a proteção da bateria é ativada (consulte abaixo).**
- Proteção da bateria
  - A ferramenta desliga-se de repente ou é impossível ligá-la quando
    - a carga é muito grande -> retire a carga e reinicie.
    - a temperatura da bateria não se encontra dentro do raio da temperatura de funcionamento permitida de -20 a +50 °C -> 2 níveis do indicador do nível da bateria começam a piscar quando prime o botão AC ⑧c; espere que a bateria volte ao raio da temperatura de funcionamento permitida.
  - a bateria está quase gasta (para proteger contra grandes descargas) -> é apresentado um baixo nível da bateria ou a piscar ⑧b no indicador do nível da bateria quando prime o botão AC; carregue a bateria.
    - ! Não continue a premir o interruptor de ligar/desligar após a ferramenta se desligar automaticamente. A bateria pode ficar danificada.**
- Ajustar o ângulo de corte (0-56°) ⑨
- Liberte a alavanca M.
- Incline a ferramenta até que o ângulo de corte seja definido na escala, usando o indicador N.
  - O batente de esquadria falsa de 45° P oferece uma definição rápida do ângulo de esquadria falsa de 45°.
  - Para definir um ângulo de esquadria falsa superior a 45°, rode o batente de esquadria falsa de 45° P para o retirar do indicador N.
- Aperte a alavanca M.
  - ! Quando efetuar cortes de esquadria, a profundidade de corte não corresponde ao valor na escala da profundidade de corte.**
- Indicador da linha de corte Q ⑩
- Para orientar a ferramenta ao longo da linha de corte desejada assinalada na peça a ser trabalhada.
- Para um corte reto de 0° ou corte de esquadria falsa de 45°, use a respetiva linha indicadora.
  - ! A parte larga do pé deverá assentar na parte suportada da peça a ser trabalhada.**
  - ! A largura de corte é determinada pela largura dos dentes da lâmina e não pela largura da estrutura da lâmina.**
  - ! Faça sempre um corte de teste para verificar a atual linha de corte.**
- Aspiração do pó ⑪
  - Fixe o adaptador do aspirador R na serra com o parafuso com cabeça de estrela.
  - Para usar o aspirador
    - Ligue a mangueira do aspirador ao adaptador do aspirador R.
    - ! Nunca permita que a mangueira do aspirador interfira com a proteção inferior ou a operação de corte.**
  - Saco do pó
    - Monte o saco do pó AD.

- Utilizar a ferramenta
  - Monte a bateria.
  - Segure sempre a pega S firmemente com uma mão e a pega T firmemente com a outra mão.
  - Coloque a ferramenta com a extremidade dianteira do pé plana na peça a ser trabalhada.
- ! **Certifique-se de que os dentes da serra não estão em contacto com a peça a ser trabalhada.**
- Ligue a ferramenta premindo primeiro o interruptor de segurança W e depois puxando o interruptor do gatilho Y.
- ! **A ferramenta deverá funcionar à velocidade máxima antes de a lâmina entrar na peça a ser trabalhada.**
- A proteção inferior F abre automaticamente quando a lâmina da serra entra na peça a ser trabalhada (abra manualmente a proteção inferior usando a alavanca G apenas em cortes especiais, como cortes de imersão).
- ! **Não force a ferramenta (faça uma pressão ligeira e continua para evitar o sobreaquecimento das pontas da lâmina).**
- Após terminar o corte, desligue a ferramenta libertando o gatilho Y.
- ! **Certifique-se de que a lâmina parou por completo antes de levantar a ferramenta da peça a ser trabalhada.**

## CONSELHOS DE APLICAÇÃO

- Olhe sempre para baixo no lado bom da peça a ser trabalhada para garantir o mínimo de lascas.
- Use apenas lâminas afiadas do tipo correto (13).
  - A qualidade de corte melhora com o número de dentes.
  - As lâminas com ponta de carboneto permanecem afiadas até 30 vezes mais tempo do que as lâminas vulgares.
- Cortes cruzados ou rasgados (14)
 

Os cortes cruzados ou rasgados são fáceis de fazer com uma guia paralela Z.

  - Alinhe a linha de orientação com o indicador da linha de corte Q de 0° no pé.
  - Insira a guia paralela Z através das ranhuras em ambos os lados do pé para a largura desejada, e fixe com o manípulo AA.
- ! **Certifique-se de que a barreira de corte rasgado não interfere com o movimento livre da proteção inferior e com a lâmina da serra.**
- Corte por imersão (15)
  - Defina a profundidade de corte desejada.
  - Incline a ferramenta para a frente com o indicador da linha de corte Q alinhado com a linha desejada de corte assinalada na peça a ser trabalhada.
  - Abra a proteção inferior F com a alavanca G.
  - Antes de a lâmina entrar na peça a ser trabalhada, ligue a ferramenta e baixe gradualmente a extremidade traseira da ferramenta usando a extremidade dianteira do pé como ponto de dobradiça.
  - Mova gradualmente a ferramenta para baixo e para a frente.
  - Mal a lâmina entre no material, liberte a alavanca G.
- ! **Nunca puxe a ferramenta para trás.**
- Cortar painéis grandes (16)
  - Suporte o painel perto do corte no chão, mesa ou

bancada de trabalho.

### ! **Defina a profundidade de corte de modo a cortar através do painel e não através do suporte.**

- Caso a guia paralela não permita a largura de corte desejada, fixe ou pregue uma peça de madeira reta na peça a ser trabalhada como guia, e use o lado esquerdo do pé contra esta guia (17).
- Cortar com uma calha guia (19) \*NÃO INCLUÍDA NO PACOTE PADRÃO
 

A utilização de uma calha guia oferece um corte preciso e reto em cortes de esquadria de 0° ou 45°.

Antes de fazer o primeiro corte com a calha guia, o lábio de borracha tem de ser adaptado à serra circular usada.

  - Para um corte reto de 0°, alinhe o lado de esquadria de 0° da calha AE (ou o lado de esquadria de 45° quando fizer um corte de esquadria de 45°) com a linha de corte desejada assinalada na peça a ser trabalhada.
  - Fixe a calha guia AE firmemente na peça a ser trabalhada usando braçadeiras da calha guia AF (18)\*NÃO INCLUIDO NO PACOTE PADRÃO
  - Faça deslizar a serra para a calha AE e rode os manípulos para ajustar a ranhura de orientação U no sentido dos ponteiros do relógio para minimizar a folga entre a ranhura no pé e a aba levantada na calha AE, e certifique-se de que a serra pode deslizar livremente na calha sem oscilar para os lados.
  - Quando definir a profundidade de corte, lembre-se de permitir a espessura da calha guia AE.
  - Oriente a serra uniformemente com uma taxa de alimentação lenta através da extremidade da calha.
- Para mais informações, consulte [www.skil.com](http://www.skil.com).

## MANUTENÇÃO / REPARAÇÃO


- Esta ferramenta não foi criada para utilização profissional.
- Mantenha a ferramenta sempre limpa!
- ! **Retire a bateria da ferramenta antes de proceder à limpeza.**
- Mantenha sempre a área em redor da proteção inferior F (2) limpa (retire o pó e lascas soprando com ar comprimido ou passando com uma escova).
- Limpe a lâmina da serra imediatamente após a utilização (especialmente quanto a resina e cola).
- Se a ferramenta falhar apesar dos cuidados de fabrico e procedimentos de teste, a reparação deverá ser efetuada por um centro de reparação pós-venda autorizado para ferramentas elétricas SKIL.
  - Envie a ferramenta **desmontada**, juntamente com a prova de compra, para o seu representante ou ponto de reparação SKIL mais próximo (os endereços e também os esquemas de reparação estão listados em [www.skil.com](http://www.skil.com)).
- Tenha em conta que danos devido a sobrecarga ou manuseamento inadequado da ferramenta não são abrangidos pela garantia (para saber as condições da garantia SKIL, consulte [www.skil.com](http://www.skil.com) ou informe-se com o seu revendedor).

## AMBIENTE

Apenas para países da UE

- Não elimine ferramentas elétricas, acessórios nem a embalagem juntamente com o lixo doméstico comum.
  - Em conformidade com a Norma europeia 2012/19/

CE de resíduos de equipamento elétrico e eletrônico e respetiva implementação em conformidade com as leis nacionais, ferramentas elétricas que tenham atingido o final do seu ciclo de vida devem ser recolhidas separadamente e entregues em instalações de reciclagem ambientalmente compatíveis

- O símbolo  serve para lembrar isto quando for necessária a eliminação.

! **Antes da eliminação, proteja os terminais da bateria com fita resistente, para evitar um curto-circuito.**

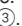
## RUÍDO/VIBRAÇÃO

- Medido de acordo com a EN 62841. O nível de pressão do som desta ferramenta é de 91 dB(A), e o nível de potência do som é de 102 dB(A) (incerteza K = 3 dB), e a vibração \* (soma vetorial das 3 direções; incerteza K = 1,5 m/s<sup>2</sup>) \* cortar madeira < 2,5 m/s<sup>2</sup>
  - O nível de emissão da vibração foi medido de acordo com um teste padronizado da norma EN 62841. Pode ser usado para comparar duas ferramentas e como avaliação preliminar da exposição à vibração quando usar a ferramenta para as aplicações mencionadas.
    - Usar a ferramenta para diferentes aplicações, ou com acessórios diferentes ou mal mantidos, pode aumentar significativamente o nível de exposição.
    - As vezes que a ferramenta é desligada ou quando estiver a funcionar, mas sem estar a efetuar o trabalho, pode reduzir significativamente o nível de exposição.
- ! **Proteja-se dos efeitos das vibrações realizando a manutenção da ferramenta e dos seus acessórios, mantendo as mãos quentes e organizando os seus padrões de trabalho.**

I

## Sega circular cordless brushless 3571

### INTRODUZIONE

- Questo utensile è progettato per effettuare tagli longitudinali o trasversali nel legno, dritti e obliqui fino a 56°.
- Questo utensile non è destinato all'uso professionale.
- Leggere e conservare questo manuale di istruzioni .

### SPECIFICHE TECNICHE


### COMPONENTI DELL'UTENSILE

- A Chiave esagonale
- B Fermaglio per chiave esagonale
- C Pulsante di bloccaggio dell'alberino
- D Bullone della lama
- E Flangia esterna
- F Cuffia di protezione inferiore
- G Leva di apertura della cuffia di protezione inferiore
- H Flangia interna
- J Manopola di regolazione della profondità di taglio
- K Piastra base
- L Indicatore della profondità di taglio
- M Leva di regolazione dell'angolo di taglio

- N Indicatore dell'angolo di taglio
  - P Battuta per taglio obliquo verticale a 45°
  - Q Indicatore della linea di taglio
  - R Adattatore per aspirapolvere
  - S Impugnatura posteriore
  - T Impugnatura anteriore
  - U Manopola di regolazione della fessura guida
  - V Luce LED
  - W Interruttore di sicurezza
  - X Fessura guida
  - Y Interruttore a grilletto
  - Z Guida parallela
  - AA Manopola di regolazione della guida parallela
  - AB Gancio
  - AC Indicatore del livello della batteria
  - AD Contenitore della polvere\*
  - AE Binario guida
  - AF Morsetto del binario guida\*
- \* NON INCLUSO NELLA VERSIONE STANDARD

## SICUREZZA

### AVVERTENZE DI SICUREZZA COMUNI A TUTTI GLI UTENSILI ELETTRICI

 **AVVERTENZA! Consultare tutte le avvertenze di sicurezza, le istruzioni, le illustrazioni e le specifiche fornite insieme a questo utensile elettrico.** Il mancato rispetto delle istruzioni sotto riportate comporta il rischio di scossa elettrica, incendio e/o gravi infortuni.

**Conservare tutte le avvertenze e le istruzioni per futuro riferimento.**

Il termine "utensile elettrico" utilizzato nelle avvertenze indica un utensile elettrico alimentato tramite rete elettrica (con cavo) o batterie (senza cavo).

#### 1) SICUREZZA DELL'AREA DI LAVORO

- a) **Mantenere l'area di lavoro pulita e bene illuminata.** Il disordine e la scarsa illuminazione favoriscono gli incidenti.
- b) **Non usare l'utensile elettrico in atmosfere esplosive, ad esempio in presenza di liquidi, gas o polveri infiammabili.** Gli utensili elettrici creano scintille che possono incendiare polveri o fumi.
- c) **Durante l'uso dell'utensile elettrico, tenere a distanza i bambini e le persone presenti.** Le distrazioni possono far perdere il controllo.

#### 2) SICUREZZA ELETTRICA

- a) **Le spine degli utensili elettrici devono essere adatte al tipo di presa. Non modificare la spina in alcun modo. Non usare adattatori con gli utensili elettrici dotati di messa a massa (collegati a massa).** L'uso di spine originali corrispondenti al tipo di presa riduce il rischio di scossa elettrica.
- b) **Evitare il contatto fisico con superfici collegate a terra come tubi, radiatori, fornelli elettrici e frigoriferi.** Il rischio di scossa elettrica aumenta se il proprio corpo è collegato a terra.
- c) **Non esporre gli utensili elettrici a pioggia o umidità.** L'infiltrazione di acqua all'interno di un utensile elettrico aumenta il rischio di scossa elettrica.

- d) **Non utilizzare il cavo in modo improprio. Non usare il cavo per trasportare, tirare o scollegare l'utensile elettrico dalla presa di corrente. Tenere il cavo al riparo da calore, olio, bordi taglienti o parti in movimento.** La presenza di cavi danneggiati o aggrovigliati aumenta il rischio di scossa elettrica.
- e) **Durante l'uso di un utensile elettrico all'aperto, utilizzare una prolunga idonea per usi esterni.** L'uso di un cavo idoneo riduce il rischio di scossa elettrica.
- f) **Se è necessario lavorare in un luogo umido, utilizzare un circuito elettrico dotato di interruttore differenziale (RCD).** L'uso di un interruttore differenziale riduce il rischio di scossa elettrica.
- 3) SICUREZZA PERSONALE**
- a) **Durante l'uso di un utensile elettrico, prestare sempre la massima attenzione e utilizzare il buon senso. Non usare un utensile elettrico se si è stanchi o sotto l'effetto di droghe, alcol o farmaci.** Anche un solo momento di disattenzione durante l'uso dell'utensile elettrico può provocare gravi infortuni.
- b) **Indossare dispositivi di protezione individuale. Indossare dispositivi di protezione per gli occhi.** I dispositivi di protezione individuale come maschere antipolvere, calzature antiscivolo, caschi e cuffie per le orecchie, se utilizzati quando le circostanze lo richiedono, riducono il rischio di infortuni.
- c) **Prevenire l'avvio accidentale. Assicurarsi che l'interruttore sia in posizione di arresto prima di sollevare, trasportare o collegare l'utensile elettrico alla presa di corrente e/o alla batteria.** Per ridurre il rischio di incidenti, non trasportare gli utensili elettrici tenendo le dita sull'interruttore e non collegarli alla fonte di alimentazione se l'interruttore è in posizione di avvio.
- d) **Rimuovere eventuali chiavi di regolazione o avvistamento prima di avviare l'utensile elettrico.** Una chiave di serraggio rimasta inserita in un elemento mobile dell'utensile elettrico può provocare infortuni.
- e) **Non allungarsi eccessivamente. Mantenere sempre un buon equilibrio evitando posizioni instabili.** Ciò assicura un miglior controllo dell'utensile elettrico in situazioni impreviste.
- f) **Vestirsi in modo adeguato. Non indossare indumenti ampi o gioielli. Tenere capelli e indumenti lontani dalle parti in movimento.** Indumenti ampi, gioielli e capelli lunghi possono impigliarsi nelle parti in movimento.
- g) **Se sono disponibili dispositivi per l'estrazione e la raccolta della polvere, assicurarsi che siano collegati e utilizzati correttamente.** L'uso di tali dispositivi può ridurre i rischi derivanti dalla polvere.
- h) **Non lasciare che la familiarità con l'apparecchio (derivata da un uso frequentissimo) abbassi il livello di attenzione.** Anche una minima distrazione può causare gravi infortuni.
- 4) USO E MANUTENZIONE DELL'UTENSILE ELETTRICO**
- a) **Non forzare l'utensile elettrico. Utilizzare l'utensile più adatto al lavoro da svolgere.** Un utensile elettrico corretto è più sicuro ed efficace al regime per cui è stato progettato.
- b) **Non utilizzare l'utensile elettrico se l'interruttore non funziona.** Un utensile elettrico che non può essere controllato dall'interruttore è pericoloso e deve essere riparato.
- c) **Rimuovere il gruppo batteria, se removibile, e/o scollegare l'utensile elettrico dalla rete elettrica prima di regolarlo, riporlo o sostituire gli accessori.** Tali misure preventive riducono il rischio di avvio accidentale dell'utensile elettrico.
- d) **Riporre gli utensili elettrici fuori dalla portata dei bambini e non permetterne l'uso a persone che non hanno familiarità con l'apparecchio o con queste istruzioni.** Gli utensili elettrici sono pericolosi se utilizzati da persone non competenti.
- e) **Mantenere gli utensili elettrici e gli accessori in buono stato. Verificare che le parti mobili non siano disallineate o inceppate, che i componenti non siano danneggiati e che non siano presenti altri problemi che potrebbero pregiudicare il corretto funzionamento dell'utensile elettrico. Se l'utensile elettrico è danneggiato, farlo riparare prima di utilizzarlo nuovamente.** Molti incidenti sono provocati da utensili elettrici in cattive condizioni.
- f) **Mantenere gli accessori di taglio puliti e affilati.** Un'adeguata manutenzione e affilatura degli accessori da taglio riduce il rischio di inceppamento e facilita il controllo dell'utensile elettrico.
- g) **Usare l'utensile elettrico, gli accessori, le punte ecc. conformemente a queste istruzioni, tenendo conto delle condizioni dell'area di lavoro e del tipo di lavoro da svolgere.** L'uso dell'utensile elettrico per operazioni diverse da quelle per cui è progettato può comportare situazioni di pericolo.
- h) **Tenere le impugnature e le superfici di presa asciutte, pulite e prive di olio o grasso.** Impugnature e superfici di presa scivolose non garantiscono l'uso sicuro e il controllo dell'apparecchio in situazioni impreviste.
- 5) USO E MANUTENZIONE DELLA BATTERIA**
- a) **Ricaricare l'utensile elettrico utilizzando esclusivamente il caricabatteria specificato dal costruttore.** Un caricabatteria adatto a un certo tipo di gruppo batteria comporta il rischio di incendio se utilizzato con gruppi batteria di tipo diverso.
- b) **Usare gli utensili esclusivamente con i gruppi batteria specificamente progettati.** L'uso di altri gruppi batteria comporta il rischio di incendio e infortunio.
- c) **Quando il gruppo batteria non è in uso, tenerlo lontano da piccoli oggetti metallici, ad esempio graffette, monete, chiavi, chiodi, viti ecc. poiché potrebbero creare un collegamento tra i due terminali.** Il cortocircuito dei terminali della batteria comporta il rischio di incendio o ustioni.
- d) **L'uso improprio dell'utensile elettrico può causare fuoriuscite di liquido dalla batteria: evitare il contatto con tale liquido. In caso di contatto accidentale, lavare con acqua. Se il liquido entra a contatto con gli occhi, consultare un medico.** Il liquido fuoriuscito dalla batteria può causare irritazioni o ustioni.
- e) **Non usare gruppi batteria o utensili danneggiati o modificati.** Le batterie danneggiate o modificate possono manifestare comportamenti imprevisti, con il rischio di incendio, esplosione o infortunio.
- f) **Non esporre il gruppo batteria o l'utensile a fiamme o temperature eccessive.** L'esposizione a fiamme o temperature superiori a 130°C comporta il rischio di

esplosione.

- g) **Rispettare tutte le istruzioni relative alla ricarica e non ricaricare il gruppo batteria o l'utensile a temperature diverse da quelle specificate nelle istruzioni.** Una ricarica eseguita in modo improprio o a temperature diverse da quelle specificate può danneggiare la batteria e aumentare il rischio di incendio.
- 6) **RIPARAZIONI**
- a) **Affidare la riparazione dell'utensile elettrico a personale qualificato e utilizzare esclusivamente parti di ricambio identiche.** Ciò garantisce la sicurezza dell'utensile elettrico.
- b) **Non riparare gruppi batteria danneggiati.** La riparazione dei gruppi batteria deve essere effettuata esclusivamente dal costruttore o da un centro di assistenza autorizzato.

## AVVERTENZE DI SICUREZZA SPECIFICHE PER SEGHE CIRCOLARI CORDLESS

### 1) PROCEDURE DI TAGLIO

- a) **⚠ PERICOLO! Tenere le mani lontane dall'area di taglio e dalla lama. Tenere la seconda mano sull'impugnatura ausiliaria o sul vano motore.** Tenere entrambe le mani a contatto con l'apparecchio per evitare il rischio di lesioni a causa del contatto con la lama.
- b) **Non sporgersi sotto il materiale in lavorazione.** La cuffia di protezione non offre protezione dalla lama nell'area sottostante il materiale in lavorazione.
- c) **Regolare la profondità di taglio in base allo spessore del materiale da tagliare.** Dalla parte inferiore del materiale deve sporgere meno di un dente intero della lama.
- d) **Non tenere il materiale in mano o tra le gambe durante il taglio. Fissare il materiale a una piattaforma stabile.** È importante sostenere adeguatamente il materiale per ridurre il rischio di lesioni, piegamento della lama o perdita di controllo.
- e) **Tenere l'utensile elettrico esclusivamente tramite le impugnature isolanti durante le operazioni in cui l'accessorio di taglio può entrare a contatto con cavi elettrici nascosti.** Se l'accessorio di taglio tocca un cavo elettrificato può trasmettere la corrente alle parti metalliche dell'utensile, esponendo l'operatore al rischio di scossa elettrica.
- f) **Per i tagli longitudinali, usare un'apposita guida.** Ciò aumenta la precisione del taglio e riduce il rischio di inceppamento della lama.
- g) **Usare sempre lame i cui fori sono di dimensioni e forma corrette (a diamante o rotonda).** Gli accessori che non si adattano al sistema di fissaggio della lama saranno decentrati, causando una perdita di controllo.
- h) **Non usare bulloni o rondelle per lame danneggiati o scorretti.** Il bullone e le rondelle della lama installati sono stati progettati specificamente per questa sega, per le migliori prestazioni e la massima sicurezza.
- 2) **CONTRACCOLPO E RELATIVE AVVERTENZE**
- Il contraccolpo è una reazione improvvisa che si verifica quando la lama rimane inceppata, incastrata o disallineata, provocando un movimento incontrollato della sega verso l'alto e fuori dal pezzo in lavorazione in direzione dell'operatore.
  - Quando la lama rimane inceppata o incastrata nel

- taglio, la lama si blocca e la reazione del motore spinge rapidamente l'apparecchio all'indietro verso l'operatore.
- Se la lama rimane inceppata o disallineata nel taglio, i denti sul bordo posteriore della lama possono conficcarsi nella superficie del legno facendo fuoriuscire la lama dall'intaccatura in direzione dell'operatore.
  - Il contraccolpo è il risultato di un uso scorretto dell'apparecchio e/o di procedure operative o condizioni improprie e può essere evitato adottando precauzioni adeguate, come quelle indicate di seguito.
- a) **Mantenere una presa salda con entrambe le mani sull'apparecchio e posizionare le braccia in modo tale da resistere alle forze di contraccolpo. Tenere il corpo a lato della lama, ma non allineato ad essa.** Le forze di contraccolpo sono in grado di spostare la lama dall'indietro, ma possono essere controllate dall'operatore, adottando le dovute precauzioni.
- b) **Se la lama si inceppa, o prima di interrompere il taglio per qualsiasi motivo, rilasciare l'interruttore a grilletto e tenere la sega ferma nel materiale finché la lama non si arresta completamente. Non tentare mai di rimuovere l'apparecchio dal materiale o di tirarlo verso di sé mentre è ancora in movimento per evitare il rischio di contraccolpo.** Individuare la causa dell'inceppamento della lama e liberarla con opportuni interventi. Evitare di tagliare chiodi o viti.
- c) **Quando si riavvia la sega già inserita nel materiale, centrare la lama nel taglio e verificare che i denti non siano incastrati nel materiale.** Se la lama è inceppata, può impennarsi o causare un contraccolpo al riavvio dell'apparecchio.
- d) **Per ridurre il rischio di inceppamento della lama e contraccolpo, sostenere i pannelli di grandi dimensioni.** I pannelli di grandi dimensioni tendono a piegarsi sotto il proprio peso. Posizionare dei supporti sotto entrambi i lati del pannello, sia lungo la linea di taglio che in prossimità dei bordi.
- e) **Non usare lame smussate o danneggiate.** Lame non affilate o fissate in modo scorretto producono un taglio molto stretto che comporta il rischio di eccessiva frizione, inceppamento della lama e contraccolpo.
- f) **Prima di eseguire il taglio, serrare saldamente le leve di regolazione della profondità e dell'angolo di taglio.** Se la lama si sposta durante il taglio può incepparsi e provocare un contraccolpo.
- g) **Prestare particolare attenzione durante il taglio in una parete o altre aree nascoste.** La lama sporgente potrebbe tagliare oggetti suscettibili di provocare un contraccolpo.
- 3) **FUNZIONAMENTO DELLA CUFFIA PROTEZIONE INFERIORE**
- a) **Prima di ogni utilizzo, controllare che la cuffia di protezione inferiore sia chiusa correttamente. Non usare la sega se la cuffia di protezione inferiore non si muove liberamente e non si chiude immediatamente. Non bloccare o fissare la cuffia di protezione in posizione sollevata.** Se la sega cade per terra, la cuffia di protezione inferiore potrebbe piegarsi. Sollevare la cuffia di protezione inferiore con l'apposita leva e assicurarsi che si muova liberamente e non tocchi la lama o altre parti, in tutte gli angoli e le profondità di taglio.
- b) **Verificare il corretto funzionamento della molla**

della cuffia di protezione inferiore. Se la cuffia di protezione e la molla non funzionano correttamente, devono essere riparate prima dell'uso. La cuffia di protezione inferiore potrebbe funzionare scorrettamente a causa di parti danneggiate, depositi gommosi o accumulo di detriti.

- c) **La cuffia di protezione inferiore può essere sollevata manualmente solo per tagli particolari come i tagli a immersione e i tagli composti. Sollevare la cuffia di protezione posteriore ritraendo l'impugnatura e, non appena la lama entra nel materiale, rilasciare la cuffia di protezione posteriore.** Per tutti gli altri tipi di taglio, la cuffia di protezione posteriore deve funzionare automaticamente.
- d) **Assicurarsi sempre che la protezione inferiore copra la lama prima di posizionare la sega su un banco o per terra.** Una lama non protetta in movimento può far indietreggiare la sega, tagliando qualsiasi oggetto lungo il percorso. È importante conoscere il tempo necessario alla lama per arrestarsi dopo il rilascio dell'interruttore.

## AVVERTENZE DI SICUREZZA AGGIUNTIVE

### AVVERTENZE GENERALI

- Questo utensile non deve essere usato da persone di età inferiore a 16 anni.
- Questo utensile non è destinato al taglio a umido.
- Non lavorare materiali contenenti amianto.** L'amianto è considerato una sostanza cancerogena.
- Polveri derivanti da materiali come rivestimenti a base di piombo, alcuni tipi di legno, metallo e minerali possono essere tossiche. Toccare o respirare tali polveri può causare, all'utente o alle persone presenti, reazioni allergiche e/o infiammazioni alle vie respiratorie. **Indossare una maschera antipolvere e usare sistemi di estrazione della polvere, se disponibili.**
- Alcuni tipi di polveri, ad esempio quelle di quercia e faggio, sono considerate cancerogene, in particolare se il legno è stato trattato (con cromo o preservanti per legno). **Indossare una maschera antipolvere e usare sistemi di estrazione della polvere, se disponibili.**
- Rispettare le normative nazionali rilevanti in merito ai materiali con cui si desidera lavorare.
- Non usare questo utensile in combinazione con un banco sega.
- Rimuovere la batteria prima di regolare l'utensile o sostituire gli accessori.

### ACCESSORI

- SKIL assicura il corretto funzionamento dell'utensile se sono utilizzati accessori originali.
- Utilizzare esclusivamente lame con le specifiche riportate in questo manuale di istruzioni e conformi allo standard EN 847-1.
- Utilizzare esclusivamente accessori la cui velocità consentita è almeno equivalente alla velocità a vuoto massima dell'apparecchio.
- Utilizzare esclusivamente lame con diametro compreso tra 184 mm e 184 mm e foro di 16 mm.
- Non usare lame in acciaio ad alta velocità (HSS).
- Non usare dischi di taglio/smerigliatura con questo utensile.

### PRIMA DELL'USO

- Rimuovere eventuali viti, chiodi e altri elementi presenti

nel pezzo in lavorazione per evitare che causino danni.

- Rimuovere qualsiasi ostacolo sopra e sotto il percorso del taglio prima di iniziare il taglio.
- Fissare il materiale** (un materiale fissato con appositi dispositivi o una morsa è bloccato più saldamente).
- Rilevare l'eventuale presenza di cavi elettrici o tubature nascosti nell'area di lavoro con appositi rilevatori o contattando le relative società responsabili.** Il contatto con cavi elettrici comporta il rischio di incendio e scossa elettrica; il danneggiamento di tubi del gas comporta il rischio di esplosione; la rottura di un tubo dell'acqua comporta il rischio di danni materiali o scossa elettrica.

### DURANTE L'USO

- Il livello di rumorosità durante l'uso può superare gli 85 dB(A); indossare dispositivi di protezione per le orecchie.
- Non usare l'utensile senza la cuffia di protezione originale.
- Non tentare di tagliare materiali eccessivamente piccoli.
- Non usare l'utensile sopra il livello della propria testa.
- In caso di inceppamento o malfunzionamento elettrico o meccanico, arrestare immediatamente l'utensile e rimuovere la batteria.

### DOPO L'USO

- Prima di appoggiare l'utensile, arrestarlo e assicurarsi che tutte le parti mobili siano completamente ferme.
- Dopo aver arrestato l'utensile, non frenare la rotazione della lama applicando una forza laterale.

### BATTERIE

- La batteria inclusa è parzialmente carica. Per garantire la piena capacità della batteria, ricaricarla completamente con il caricabatteria prima di usare l'utensile per la prima volta.
- Utilizzare esclusivamente le batterie e i caricabatteria elencati di seguito con questo utensile.
  - Batteria SKIL: BR1\*31\*\*\*\*
  - Caricabatteria SKIL: CR1\*31\*\*\*\*
- Non utilizzare la batteria se è danneggiata. Sostituirla.
- Non disassemblare la batteria.
- Non esporre l'utensile o la batteria alla pioggia.
- Temperature ambientali (utensile/caricabatteria/batteria):
  - Durante la ricarica: da 4°C a 40°C
  - Durante l'uso: da -20°C a +50°C
  - Durante la conservazione: da -20°C a +50°C

### SIGNIFICATO DEI SIMBOLI SULL'UTENSILE E SULLA BATTERIA

- ③ Leggere il manuale di istruzioni prima dell'uso.
- ④ Le batterie possono esplodere se gettate nel fuoco. Pertanto, non bruciarle per alcun motivo.
- ⑤ Riporre l'utensile, il caricabatteria e la batteria in ambienti la cui temperatura non supera i 50°C.
- ⑥ Non smaltire l'utensile e le batterie insieme ai rifiuti domestici.

## UTILIZZO

- Ricarica della batteria  
**! Leggere le istruzioni e le avvertenze di sicurezza fornite insieme al caricabatteria.**
- Rimozione/inserimento della batteria ②
- Installazione della lama ②  
**! Rimuovere la batteria dall'utensile.**
  - Prelevare la chiave esagonale A dal fermaglio B.
  - Tenere premuto il pulsante di bloccaggio dell'alberino C e rimuovere il bullone della lama D ruotando la chiave



esagonale A IN SENSO ANTIORARIO (ovvero nella direzione della freccia stampata sulla lama).

**! Premere il pulsante di bloccaggio dell'alberino C esclusivamente quando la lama dell'utensile è ferma.**

- Rilasciare il pulsante di bloccaggio dell'alberino C.
- Rimuovere la flangia esterna E.

**! Assicurarsi che la flangia interna H sia perfettamente pulita e rivolta verso la lama.**

- Aprire la cuffia di protezione posteriore F con la leva G e tenerla premuta durante l'installazione della lama. Assicurarsi che i denti della lama e la freccia stampata sulla lama siano rivolti nella direzione indicata dalla freccia sulla cuffia di protezione posteriore.

- Rilasciare la cuffia di protezione posteriore F.
- Installare la flangia esterna E.
- Tenere premuto il pulsante di bloccaggio dell'alberino C e serrare il bullone della lama con la chiave esagonale ruotandolo di 1/8 di giro senza forzarlo (ciò assicura il rallentamento della lama quando incontra una resistenza eccessiva, riducendo il carico sul motore e il rischio di contraccolpo).

- Rilasciare il pulsante di bloccaggio dell'alberino C.

- Regolazione della profondità di taglio (0-66 mm) ⑦
- Per ottenere tagli della massima qualità, la lama non deve sporgere oltre 3 mm dalla parte inferiore del materiale in lavorazione.

- Allentare la manopola J.
- Sollevare o abbassare la piastra base K fino a raggiungere la profondità di taglio desiderata facendo riferimento all'indicatore L sulla scala.

- Serrare la manopola J.
- Indicatore del livello della batteria ⑧
  - Premere il pulsante dell'indicatore del livello della batteria AC per visualizzare il livello di carica corrente della batteria. ③a

**! Quando l'ultima barra dell'indicatore del livello della batteria inizia a lampeggiare dopo aver premuto il pulsante AC ③b, la batteria è scarica.**

**! Quando 2 barre dell'indicatore del livello della batteria iniziano a lampeggiare dopo aver premuto il pulsante AC ③c, la temperatura della batteria è fuori dai valori che ne consentono il funzionamento.**

- Luce LED ⑫ V  
La luce LED si accende automaticamente all'avvio dell'utensile.

**! Quando la luce LED inizia a lampeggiare, la funzione di protezione della batteria si è attivata (come descritto di seguito).**

- Protezione della batteria  
L'utensile si arresta automaticamente, o non si avvia, nei seguenti casi:

- **Il carico è eccessivo.** --> Rimuovere il carico e riavviare l'utensile.
- **La temperatura della batteria è inferiore a -20°C o superiore a +50°C.** --> 2 barre dell'indicatore del livello della batteria iniziano a lampeggiare dopo aver premuto il pulsante AC ③c. Attendere che la batteria raggiunga la temperatura di funzionamento corretta.
- **La batteria è quasi scarica (protezione contro lo scaricamento profondo).** --> Il livello di carica della batteria è indicato da una barra lampeggiante dopo

aver premuto il pulsante AC ③b. Ricaricare la batteria.

**! Non premere l'interruttore di avvio/arresto dopo l'arresto automatico dell'utensile per evitare di danneggiare la batteria.**

- Regolazione dell'angolo di taglio (0-56°) ⑨
  - Allentare la leva M.
  - Inclinare l'utensile fino a raggiungere l'angolo di taglio desiderato facendo riferimento all'indicatore N sulla scala.
  - La battuta per taglio obliquo verticale a 45° P permetterà di impostare rapidamente l'angolo di taglio obliquo verticale a 45°.
  - Per impostare un angolo di taglio obliquo verticale superiore a 45°, ruotare la battuta per taglio obliquo verticale a 45° P per estrarla dall'indicatore N.
  - Serrare la leva M.
- ! Durante i tagli smussati, la profondità di taglio non corrisponde al valore indicato sulla scala della profondità di taglio.**

- Indicatore della linea di taglio Q ⑩
  - Per guidare l'utensile lungo la linea di taglio marcata sul materiale in lavorazione.
  - Per tagli dritti a 0° o tagli obliqui a 45° utilizzare l'indicatore della linea corrispondente.

**! La parte larga della piastra base deve appoggiare sulla parte supportata del materiale.**

**! L'ampiezza di taglio è determinata dalla larghezza dei denti della lama e non dalla larghezza del corpo della lama.**

**! Effettuare dei tagli di prova per controllare la linea di taglio effettiva.**

- Aspirazione della polvere ⑪  
Fissare l'adattatore per aspirapolvere R all'utensile con la vite con testa a croce.  
In combinazione con un aspirapolvere
  - Collegare il tubo dell'aspirapolvere all'adattatore per aspirapolvere R.

**! Assicurarsi che il tubo dell'aspirapolvere non interferisca con la cuffia di protezione inferiore o l'operazione di taglio.**

- Contenitore della polvere
  - Installare il contenitore della polvere AD.

- Utilizzo dell'utensile
  - Installare la batteria.
  - Afferrare saldamente l'impugnatura S con una mano e l'impugnatura T con l'altra mano.
  - Posizionare l'utensile con il bordo anteriore della piastra base appoggiato sul materiale.
- ! Assicurarsi che i denti della lama non siano a contatto con il materiale.**
  - Per avviare l'utensile, premere l'interruttore di sicurezza W, quindi l'interruttore a grilletto Y.

**! Attendere che l'utensile raggiunga la piena velocità prima di far entrare la lama a contatto con il materiale.**

- La cuffia di protezione inferiore F si aprirà automaticamente quando la lama penetra nel materiale (solo per tagli particolari come i tagli a immersione, la cuffia di protezione inferiore può essere aperta manualmente usando la leva G).

**! Non forzare l'utensile (applicare una pressione leggera e costante per evitare il surriscaldamento dei denti della lama).**

- Al termine del taglio, arrestare l'utensile rilasciando l'interruttore Y.

**! Assicurarsi che la lama si sia arrestata completamente prima di sollevare l'utensile dal materiale.**

## SUGGERIMENTI PER L'USO

- Orientare il lato esposto del materiale verso il basso per ridurre la formazione di schegge.
- Usare esclusivamente lame affilate di tipo corretto. <sup>(13)</sup>
  - Maggiore è il numero di denti, migliore sarà la qualità del taglio.
  - Le lame con denti in carburo rimangono affilate 30 volte più a lungo rispetto alle lame ordinarie.
- Tagli trasversali/longitudinali <sup>(14)</sup>

Per facilitare i tagli trasversali o longitudinali è possibile usare la guida parallela Z.

  - Allineare la linea guida con il simbolo 0° dell'indicatore della linea di taglio Q sulla base.
  - Inserire la guida parallela Z attraverso le fessure presenti su entrambi i lati della base, regolarla all'ampiezza desiderata e fissarla con la manopola AA.

**! Assicurarsi che la guida non interferisca con il movimento della cuffia di protezione inferiore e della lama.**
- Taglio a immersione <sup>(15)</sup>
  - Regolare la profondità di taglio.
  - Inclinare l'utensile in avanti allineando l'indicatore della linea di taglio Q con la linea di taglio marcata sul materiale.
  - Aprire la cuffia di protezione inferiore F con la leva G.
  - Avviare l'utensile appena prima che la lama penetri nel materiale, quindi abbassare gradualmente l'estremità posteriore dell'utensile usando il bordo anteriore della piastra base come perno.
  - Spostare gradualmente l'utensile verso il basso e in avanti.
  - Non appena la lama penetra nel materiale, rilasciare la leva G.

**! Non spostare l'utensile all'indietro.**
- Taglio di pannelli di grandi dimensioni <sup>(16)</sup>
  - Sostenere il pannello in prossimità del taglio usando il pavimento, un tavolo o un banco da lavoro.

**! Impostare la profondità di taglio in modo tale che la lama penetri nel materiale e non nel supporto.**

  - Se la guida parallela non consente di impostare la larghezza di taglio desiderata, fissare un pezzo di legno dritto sul materiale come guida, quindi appoggiare il lato sinistro della piastra base contro questa guida <sup>(17)</sup>.
- Taglio con il binario guida <sup>(18)</sup> \*NON INCLUSO NELLA VERSIONE STANDARD
 

Il binario guida permette di ottenere tagli obliqui verticali dritti e precisi a 0° o 45°.

Prima di effettuare il primo taglio con il binario guida è necessario adattare il bordo in gomma alla sega circolare utilizzata.

  - Per tagli dritti a 0°, allineare il lato contrassegnato con il simbolo 0° del binario AE (o con il simbolo 45° per i tagli a 45°) con la linea di taglio contrassegnata sul materiale.
  - Fissare la guida AE saldamente sul materiale usando i morsetti AF <sup>(18)</sup> \*NON INCLUSI NELLA VERSIONE STANDARD

- Fare scorrere la sega sul binario AE e ruotare le manopole di regolazione della fessura guida U in senso orario per ridurre l'interstizio tra la fessura sulla base e il bordo rialzato sul binario AE. Assicurarsi che la sega scorra liberamente sul binario senza oscillare lateralmente.
- Durante l'impostazione della profondità di taglio è necessario tenere conto dello spessore del binario guida AE.
- Guidare la sega facendola avanzare lentamente e in modo uniforme fino alla fine della guida.
- Per ulteriori informazioni, visitare il sito web [www.skil.com](http://www.skil.com)

## MANUTENZIONE E RIPARAZIONE

- Questo utensile non è destinato all'uso professionale.
- Mantenere l'utensile sempre pulito.
 

**! Rimuovere la batteria dall'utensile prima di pulirlo.**
- Mantenere l'area intorno alla cuffia di protezione inferiore F <sup>(2)</sup> sempre pulita (rimuovere polvere e trucioli con dell'aria compressa o una spazzola).
- Pulire la lama immediatamente dopo l'uso (in particolare rimuovere i residui di resina o colla).
- Se l'utensile presenta malfunzionamenti nonostante l'attenzione durante la fabbricazione e il collaudo, deve essere riparato da un centro di assistenza autorizzato SKIL.
  - Portare l'utensile **senza disassemblarlo** insieme a una prova di acquisto presso il rivenditore o a un centro di assistenza SKIL (gli indirizzi e la vista esplosa dell'utensile sono riportati sul sito web [www.skil.com](http://www.skil.com)).
- Nota: i danni causati dal sovraccarico o da un utilizzo improprio dell'utensile non sono coperti dalla garanzia (le condizioni della garanzia SKIL sono consultabili sul sito web [www.skil.com](http://www.skil.com) o presso il rivenditore).

## PROTEZIONE AMBIENTALE

Solo per i paesi UE

- **Non smaltire l'utensile, gli accessori e l'imballaggio insieme ai rifiuti domestici.**
  - Ai sensi della direttiva europea 2012/19/EC sui rifiuti di apparecchiature elettriche ed elettroniche e alla sua implementazione nella legislazione nazionale, gli utensili elettrici devono essere raccolti separatamente e portati presso un'apposita struttura di riciclaggio.
  - Il simbolo <sup>(6)</sup> indica tale obbligo.
- **! Prima dello smaltimento, proteggere i terminali della batteria con del nastro isolante per evitare il rischio di corto circuito.**

## EMISSIONE ACUSTICA E VIBRAZIONI

- I valori di emissioni acustica e delle vibrazioni sono stati misurati conformemente a EN 62841. Il livello di pressione sonora dell'utensile è di 91 dB(A) e il livello di potenza sonora è di 102 dB(A) (incertezza K = 3 dB). Il livello di vibrazioni è \* (somma vettoriale triassiale; incertezza K = 1,5 m/s<sup>2</sup>) \* per il taglio di legno < 2,5 m/s<sup>2</sup>
- Il valore totale di emissione delle vibrazioni è stato misurato con il metodo valutazione standard prescritto da EN 62841 e può essere utilizzato per confrontare l'utensile con altri prodotti analoghi e per una valutazione preliminare dei livelli di esposizione.
  - L'utilizzo dell'utensile per altri scopi, o l'utilizzo di

accessori diversi o in cattive condizioni, può aumentare significativamente il livello di esposizione.

- Il periodo in cui l'utensile è spento, o è in funzione ma non in uso, può ridurre significativamente il livello di esposizione.

**! Per proteggersi dagli effetti delle vibrazioni, mantenere l'utensile e gli accessori in buono stato, tenere le mani calde e pianificare il lavoro.**

H

## Szénkefe nélküli akkus körfűrész 3571

### BEVEZETÉS

- Ez a szerszám a hosszirányú és keresztirányú vágására szolgál egyenes, valamint 56°-os szögű vágással
- Ez a szerszám nem professzionális használatra készült
- Olvassa el figyelmesen és őrizze meg ezt a használati utasítást ③

### MŰSZAKI ADATOK ①

#### A SZERSZÁM RÉSZEI ②

- A Imbuszkulcs
  - B B Imbuszkulcs tartója
  - C C Elfordulás elleni gomb
  - D D Fűrészlap szorítócsavar
  - E E tárcsa
  - F F Alsó védőburkolat
  - G G Kar az alsó védőburkolat kinyitására
  - H H Rögzítő felület
  - J J Gomb a fűrészelési mélység beállításához
  - K K Talp lemez
  - L L Vágásmélység mutató
  - M M Vágási szög beállító kar
  - N N Vágási szög mutató
  - P P 45°-os rézselő ütköző
  - Q Q Vágásvonal-jelző
  - R R Porszívó illesztőegység
  - S S Hátsó fogantyú
  - T T Elülső fogantyú
  - U U Gombok a láncvezető horony beállításához
  - V V LED lámpa
  - W W Biztonsági kapcsolat
  - X X Láncvezető horony
  - Y Y Indítókapcsoló
  - Z Z Párhuzamos vezetőlemez
  - AA AA Párhuzamos vezetőlemez beállító gomb
  - AB AB Kampó
  - AC AC Akkumulátor töltésszintjelző
  - AD AD Porzsák\*
  - AE AE Vezetősín\*
  - AF AF Vezetősín-bilincs\*
- \* NEM STANDARD TARTOZÉK

### BIZTONSÁG

AZ ELEKTROMOS SZERSZÁMOKRA VONATKOZÓ ÁLTALÁNOS BIZTONSÁGI FIGYELMEZTETÉSEK

**⚠ FIGYELMEZTETÉS Olvassa el az elektromos kéziszerszámhoz mellékelt összes biztonsági figyelmeztetést, utasítást, ábrát és specifikációt.** Az alább felsorolt utasítások be nem tartása áramütést, tűzveszélyt és/vagy súlyos sérülést idézhet elő.

**Őrizzen meg minden figyelmeztetést és utasítást, hogy később is elő tudja majd venni.**

Az „elektromos kéziszerszám” megnevezés a figyelmeztetéseken egyaránt vonatkozik a hálózati feszültségről működtetett (vezetékes) elektromos kéziszerszámokra, valamint az akkumulátorról működtetett (vezeték nélküli) elektromos kéziszerszámokra.

#### 1) MUNKATERÜLET BIZTONSÁG

- a) **A munkaterület legyen tiszta és jól megvilágított.** A munkaterületen uralkodó rendtelenségnek vagy a rossz megvilágításnak baleset lehet a következménye.
- b) **Ne használjon elektromos szerszámokat robbanásveszélynek kitett környezetben, például olyan helyen, ahol éghető folyadékok, gázok vagy porok találhatóak.** Az elektromos szerszámok szikrákat képeznek, amelyek meggyújthatják a porokat vagy gázokat.
- c) **Tartsa távol a gyermekeket és az illetéktelen személyeket, amikor elektromos szerszámmal dolgozik.** Ha megzavarják, elveszítheti uralmát a készülék felett.

#### 2) ELEKTROMOS BIZTONSÁG

- a) **Az elektromos szerszám hálózati csatlakozódugójának illeszkednie kell az elektromos aljzathoz. Soha és semmiképpen se módosítsa a csatlakozódugót. Ne használjon adapteres csatlakozódugókat a földelt elektromos szerszámokhoz.** Az eredeti csatlakozódugó és megfelelő hálózati aljzat alkalmazásával megelőzi az áramütés veszélyét.
  - b) **Ne érjen földelt felületekhez, ilyenek pl. a csövek, fűtőtestek, tűzhelyek vagy hűtőszekrények.** Az áramütés kockázata nagyobb, ha a teste le van földelve.
  - c) **Ne tegye ki az elektromos szerszámot esőnek vagy nedves környezetnek.** Az elektromos szerszámba bekerülő víz megnöveli az áramütés kockázatát.
  - d) **Ne használja a kábelt helytelen módon. Soha ne használja a kábelt az elektromos szerszám hordozására, húzására vagy lecsatlakoztatására.** Tartsa távol a vezetékét hőtől, olajtól, éles szegélyektől és mozgó alkatrészekről. A sérült vagy összegabalyodott hálózati kábelek megnövelik az áramütés veszélyét.
  - e) **Az elektromos szerszám szabadtéri üzemeltetéséhez használjon szabadtéren használható hosszabbító kábelt.** A szabadtéren használható kábel alkalmazása csökkenti az áramütés kockázatát.
  - f) **Ha elkerülhetetlen az elektromos szerszám használata nedves helyen, használjon földzárlat-megszakítóval (FI-relé) ellátott tápellátást.** A FI-relé használata csökkenti az áramütés veszélyét.
- #### 3) SZEMÉLYI BIZTONSÁG
- a) **Legyen figyelmes, ügyeljen arra, amit csinál, és jőzan ésszel fogjon a munkához, ha elektromos szerszámot használ. Ne használja az elektromos**

szerszámot, ha fáradtnak érzi magát, vagy ha kábítószert, alkohol vagy gyógyszerek hatása alatt áll. Az elektromos szerszám üzemeltetése közben egy pillanatnyi figyelmetlenség is súlyos személyi sérülést okozhat.

- b) **Használjon egyéni védőeszközöket. Mindig viseljen védőszemüveget.** A védőfelszerelések, mint például porvédő maszk, csúszásmentes lábbeli, sisak és hallásvédő, rendeltetészerű használata révén elkerüli a sérülési veszélyeket.
- c) **Akadályozza meg a véletlen indítást. Ügyeljen arra, hogy a kapcsoló kikapcsolt állásban legyen, mielőtt az áramforráshoz és/vagy az akkumulátoregységhez csatlakoztatja, felveszi vagy viszi a szerszámot.** Balesetekhez vezethet, ha a hálózatra csatlakoztatott szerszámot úgy viszi, hogy közben az uja a bekapcsoló gombon van, vagy ha a hálózati csatlakozódugót olyankor dugja be az aljzatba, amikor be van kapcsolva a szerszám.
- d) **Vegye ki a csavarkulcsot és a beállító szerszámot, mielőtt az elektromos szerszámot bekapcsolná.** Az elektromos szerszám mozgó alkatrészén felejtett csavarkulcs vagy eszköz személyi sérülést okozhat.
- e) **Ne hajoljon a készülék fölé. Vegyen fel stabil testhelyzetet, és mindig tartsa meg az egyensúlyát.** Ezáltal jobban tudja irányítani az elektromos szerszámot a legváratlanabb helyzetben is.
- f) **Viseljen megfelelő ruházatot. Ne hordjon laza, bő ruhát, és ne viseljen ékszert. A haj és a ruházat ne érjen a mozgó részekhez.** A laza ruházatot, az ékszert vagy a hosszú hajat becsíphetik a mozgó alkatrészek.
- g) **Ha az elektromos kéziszerszámot porfelszívó vagy porfelfogó eszközzel szerelik fel, akkor győződjön meg arról, hogy ezek előírászerűen vannak-e csatlakoztatva, és használja őket a rendeltetésüknek megfelelően.** Porgyűjtő használata csökkentheti a porral járó veszélyeket.
- h) **Ne hagyja, hogy a rendszeres használat során megszerzett tapasztalat miatt túl magabiztossá váljon, és emiatt figyelmen kívül hagyja a biztonsági irányelveket.** Egy óvatlan cselekedet a másodperc töredéke alatt súlyos sérülést okozhat.
- 4) **AZ ELEKTROMOS SZERSZÁM ÜZEMELTETÉSE ÉS GONDOZÁSA**
  - a) **Ne terhelje túl az elektromos szerszámot. A munkájához használja az arra alkalmas elektromos kéziszerszámot.** A megfelelő elektromos szerszámmal jobban és biztonságosabban dolgozhat a megadott teljesítményhatárokon belül.
  - b) **Ne használja az elektromos szerszámot, ha nem lehet a bekapcsoló gomb segítségével be- vagy kikapcsolni.** Az olyan elektromos szerszám, amely nem irányítható a kapcsolóval, veszélyes és javításra szorul.
  - c) **Húzza ki a hálózati csatlakozó dugót az aljzatból és/vagy vegye ki az akkumulátoregységet, ha kivehető, az elektromos szerszámból, mielőtt beállításokat végezne, tartozékot cserélné vagy az elektromos szerszámot elrakná.** Az ilyen megelőző biztonsági óvintézkedések csökkentik az elektromos szerszám véletlen beindításának kockázatát.
  - d) **A gyermekeken kívüli elektromos szerszámokat a gyermekektől távol tartsa, és ne engedje meg, hogy olyan személyek használják az elektromos**

szerszámot, akik nem ismerik azt, vagy nincsenek tisztában ezekkel a biztonsági utasításokkal.

Az elektromos szerszámok veszélyt jelentenek a gyakorlatlan felhasználó kezében.

- e) **Gondosan tartsa karban az elektromos szerszámot és tartozékait. Ellenőrizze a mozgó részek beállítását és rögzítését, vizsgáljon meg minden részt, nem sérült-e, és ellenőrizze, nem állnak-e fenn olyan körülmények, amelyek befolyásolhatják az elektromos kéziszerszámok helyes működtetését. Használat előtt javítsa meg a sérült elektromos kéziszerszámot.** A rosszul karbantartott elektromos szerszámok sok balesetet okoznak.
- f) **A vágószerszámok legyenek mindig élesek és tiszták.** A megfelelően karbantartott és kiélezett vágóélekkel rendelkező vágószerszámok kevésbé hajlamosak az elgömbülésre, valamint könnyebben kezelhetők.
- g) **Az elektromos szerszámot, tartozékokat és szerszámféjeket, stb. mindig ezen biztonsági utasításoknak megfelelően használja, mindig vegye figyelembe a munkakörülményeket, és legyen tekintettel a megmunkálandó munkadarabra.** Az elektromos kéziszerszám előírt rendeltetési céltól eltérő használata veszélyes helyzetet eredményezhet.
- h) **Tartsa szárazon, tisztán, olajtól és zsírtól mentesen a fogantyúkat és a tartófelületeket.** A csúszós fogantyúk és tartófelületek miatt a szerszám kezelése és vezérése váratlan helyzetekben nem biztonságos.
- 5) **AZ AKKUMULÁTORRAL MŰKÖDŐ SZERSZÁM ÜZEMELTETÉSE ÉS GONDOZÁSA**
  - a) **Csak a gyártó által meghatározott töltőt használja.** Az olyan töltő, amely egy típusú akkumulátoregységhez alkalmas, tűzveszélyt okozhat, ha más típusú akkumulátoregységhez használja.
  - b) **Az elektromos szerszámokat csak speciálisan meghatározott akkumulátoregységekkel használja.** Bármely más akkumulátoregység használata sérülés- vagy tűzveszélyt okozhat.
  - c) **Amikor nem használja az akkumulátoregységet, tartsa távol más fémtárgyaktól, például gembakcsoktól, érméktől, kulcsoktól, szögektől, csavaroktól vagy más kis fémtárgyaktól, amelyek kapcsolatba léphetnek vele.** Az akkumulátorok kapcsolainak rövidzárlata égési sérülést vagy tüzet okozhat.
  - d) **Nem megfelelő körülmények között folyadék szivároghat az akkumulátorból; ügyeljen rá, hogy ne kerüljön érintkezésbe vele. Amennyiben véletlenül hozzáérne, mossa le vízzel.** Ha ez a folyadék szembe kerül, forduljon orvoshoz. Az akkumulátorból kiszivárgó folyadék irritációt vagy égési sérülést okozhat.
  - e) **Ne használjon sérült vagy módosított akkumulátoregységet vagy szerszámot.** A sérült vagy módosított akkumulátorok előre nem látható viselkedést válthatnak ki, amelyek eredménye tűz, robbanás vagy sérülésveszély lehet.
  - f) **Ne tegye ki az akkumulátoregységet tűznek vagy túl magas hőmérsékletnek.** Ha tűznek, vagy 130 °C feletti hőmérsékletnek teszi ki, akkor felrobbanhat.
  - g) **Tartsa be a töltési utasításokat, és ne töltsse az akkumulátoregységet vagy a szerszámot az utasításokban meghatározott**

**hőmérséklet-tartományon kívül.** A nem megfelelő vagy a meghatározott hőmérséklet-tartományon kívüli töltés károsíthatja az akkumulátort, és növeli a tűzveszélyt.

## 6) SZERVIZ

- a) **Az elektromos kéziszerszám szervizelését szakképzett szerelő végezze, csak az eredetivel megegyező cserealkatrészek felhasználásával.** Ezzel biztosítja az elektromos szerszám biztonságának fenntartását.
- b) **Soha ne szervizeljen sérült akkumulátoregységeket.** Az akkumulátoregységek szervizelését csak a gyártó vagy a felhatalmazott szerviz szolgáltató végezheti.

## AZ AKKUS KÖRFŰRÉSZEKRE VONATKOZÓ BIZTONSÁGI FIGYELMEZTETÉSEK

### 1) VÁGÁSI MŰVELETEK

- a) **- VESZÉLY: Tartsa távol a kezét a vágási területtől és a fűrészlaptól. Tartsa a másik kezét a segédfogantyún vagy a motorházon.** Ha két kézzel tartja a fűrész, a fűrészlap nem vághatja el.
  - b) **Ne nyúljon a munkadarab alá.** A védőburkolat nem tudja megvédeni Önt a munkadarab alatti fűrészlaptól.
  - c) **A vágási mélységet a munkadarab vastagságához állítsa be.** A munkadarab alatt ne látszódjának teljesen a fűrészlap fogai.
  - d) **Soha ne tartsa a vágni kívánt munkadarabot a kezével vagy a lábával. Rögzítse a munkadarabot egy stabil felületen.** Fontos, hogy megfelelően rögzítse a munkadarabot, hogy minimálisra csökkentsse a test terhelését, a fűrészlap elakadását, vagy az irányítás elvesztését.
  - e) **Az elektromos kéziszerszámot csak a szigetelt fogantyúnál fogva tartsa, ha olyan munkát végez, amelynek során a betétszerszám feszültség alatt áll, kívülről nem látható vezetékhez, vagy a készülék saját hálózati csatlakozó kábeléhez érhet** (ha a berendezés egy feszültség alatt álló vezetékhez ér, az elektromos kéziszerszám fémrészei szintén feszültség alá kerülnek és áramütéshez vezetnek)
  - f) **Hasításkor mindig használjon párhuzamos vagy egyenes vezetőlemezt.** Ez javítja a vágás pontosságát és csökkenti a fűrészlap elakadásának esélyét.
  - g) **Mindig olyan fűrészlapokat használjon, amelyek túske furata megfelelő méretű és formájú (gyémánt vagy kör).** A fűrész szerelési tartozékaéhoz nem illeszkedő penge egyetlenül fog futni, ezzel az irányítás elvesztését okozva.
  - h) **Soha ne használjon sérült vagy helytelen fűrészlap-alátétet vagy csavart.** A fűrészlap-alátéteket és csavarokat kifejezetten a fűrészhez tervezték az optimális teljesítmény és a biztonságos működés érdekében.
- ## 2) A VISSZARÚGÁS OKAI ÉS AZ EZZEL KAPCSOLATOS FIGYELMEZTETÉSEK
- A visszarúgás egy becsípett, elakadt vagy rosszul beállított fűrészpengére adott hirtelen reakció, amely által a fűrész irányíthatatlanná válik, és felemelkedik a munkadarabból a kezelő felé
  - Amikor a fűrészlap szorosan becsipődik vagy elakad a bevágásban, a fűrészlap elakad, akkor a motor reakciójaként az egység gyorsan visszalökődik a kezelő felé
- Ha a fűrészlap meghajlik vagy eltörik a vágásban, a fűrészlap hátsó szélén lévő fogak belevághatnak a fa felső felületébe, ami miatt a fűrészlap kifut a szegélyből, és visszaugrik a kezelő felé
  - A visszarúgást a szerszámgép helytelen használata, illetve a nem megfelelő üzemeltetési bánásmód okozza, és az alább felsorolt megfelelő övintézkedések alkalmazásával kerülhető el
- a) **Tartsa erősen, két kézzel a fogantyút, és úgy helyezkedjen el a karjával, hogy ellen tudjon tartani a visszarúgás erejének. Legyen a teste a fűrészlap valamelyik oldalán, de ne egy vonalban a fűrészlappal.** A visszarúgás miatt a fűrész visszazuogorhat, a kezelő azonban szabályozhatja a visszarúgás erejét, ha megteszi a megfelelő övintézkedéseket.
  - b) **Amikor a fűrészlap meghajlik, vagy bármilyen okból megszakad a vágás, engedje el a triggeret, és tartsa a fűrészét mozdulatlanul az anyagban, amíg a fűrészlap teljesen meg nem áll. Soha ne próbálja meg eltávolítani a fűrészét a munkadarabból, és ne próbálja meg visszahúzni a fűrészét, amíg a fűrészlap mozog, máskülönben visszarúgás fordulhat elő.** Vizsgálja meg és hárítsa el a hibát, hogy megszüntesse a fűrészlap elakadásának okát. Kerülje a szögek és csavarok vágását.
  - c) **Amikor újraindítja a fűrészét a munkadarabban, a fűrészlapot úgy kell a mélyedésben központosítani, hogy a fűrészfogak ne akadjanak el az anyagban.** Ha a fűrészlap megakad, akkor a fűrész újraindítása közben felfuthat vagy visszarúghat a munkadarabról.
  - d) **Rögzítse a nagy paneleket, hogy minimálisra csökkentse a fűrészlap megakadásának és visszarúgásának kockázatát.** A nagy panelek hajlamosak a saját súlyuk alatt elhajlani. A tartókat mindkét oldalán a panel alá kell helyezni, a vágási vonal közelében és a panel szélénél közelében.
  - e) **Ne használjon tompa vagy sérült fűrészlapot.** Az életlen vagy nem megfelelően beállított fűrészlapok a vezetőlemez keskenyedéséhez vezetnek, ami túlzott súrlódást, a fűrészlap elakadását, és visszarúgást okozhat.
  - f) **A vágás előtt a penge mélység és ferdeség beállító reteszlekaroknak szorosan és biztonságosan kell lenniük.** Ha a fűrészlap beállítása vágás közben eltörik, az elakadást és visszarúgást okozhat.
  - g) **Fokozott óvatossággal járjon el, ha meglévő falba vagy más holtterbe fűrészeli.** A kiálló fűrészlap elvághat tárgyakat, amely visszarúgást okozhat.
- ## 3) AZ ALSÓ VÉDŐBURKOLAT MŰKÖDÉSE
- a) **Minden használat előtt ellenőrizze, hogy az alsó védőburkolat megfelelően záródik-e. Ne működtesse a fűrész, ha az alsó védőburkolat nem mozog szabadon és nem zár le azonnal. Soha ne szorítsa be, és ne rögzítse az alsó védőburkolatot nyitott helyzetben.** Ha a fűrész véletlenül leesik, az alsó védőburkolat meghajolhat. Emelje fel az alsó védőburkolatot a visszahúzó fogantyúval, és győződjön meg róla, hogy szabadon mozog-e, és nem ér-e a pengéhez vagy bármely más részhez minden szögben és mélységben.
  - b) **Ellenőrizze az alsó védőburkolat rugójának működését. Ha a védőburkolat és a rugó nem**



működik megfelelően, akkor használat előtt szervizelni kell őket. Az alsó védőburkolat a sérült részek, a gumi nyomok vagy a törmék felhalmozódása miatt lassú működést okozhat.

- c) **Az alsó védőburkolat csak olyan speciális vágások esetén húzható vissza kézzel, mint például a szűrővágások és összetett vágások. Emelje fel az alsó védőburkolatot a visszahúzó fogantyúval, és amint a fűrészlap behatol az anyagba, az alsó védőburkolatot el kell engedni.** Az összes többi fűrészeléshez az alsó védőburkolatnak automatikusan kell működnie.
- d) **Mindig ügyeljen arra, hogy az alsó védőburkolat fedje a pengét, mielőtt a fűrész egy padra vagy padlóra helyezi.** A védetlen, leálló fűrészlap miatt a fűrész hátrafelé mozog, és elvágja, ami az útjába kerül. Figyeljen arra az időre, amely ahhoz szükséges, hogy a fűrészlap leálljon a kapcsoló megnyomása után.

## KIEGÉSZÍTŐ BIZTONSÁGI ELŐÍRÁSOK

### ÁLTALÁNOS TUDNIVALÓK

- A készüléket csak 16 éven felüli személyek használhatják
- Ez a készülék nedves vágási munkálatokhoz nem használható
- Ne munkáljon meg a berendezéssel azbesztes tartalmú anyagokat** (az azbeszt rákkeltő hatású anyagnak minősül)
- Az olyan anyagokból származó por, mint például az olmot tartalmazó festék, néhány fafajta, ásványi anyagok és fém, káros lehet (a por megérintése vagy belélegzése allergiás reakciókat és/vagy légzőszervi betegségeket okozhat a kezelő, illetve a közelben állók esetében); **viseljen pormaszkot, és amennyiben csatlakoztatható, dolgozzon porelszívó berendezéssel**
- Bizonyos porfajták rákkeltő besorolással rendelkeznek (ilyen például a tölgypora és a bükkfa-pora), különösen a fa kondicionálására szolgáló adalékokkal együtt; **viseljen pormaszkot és amennyiben csatlakoztatható, dolgozzon porelszívó berendezéssel**
- Kövesse a por kezelésével kapcsolatos helyi előírásokat azon termékkel kapcsolatban, amelyet dolgozni kíván
- Ne használja ezt a fűrész fűrésztalattal együtt
- Vegye ki az akkumulátort a szerszámból, mielőtt beállításokat végezne rajta, vagy tartozékokat cserélné

### TARTOZÉKOK

- SKIL cég kizárólag eredeti alkatrészek és kiegészítők alkalmazása esetén tudja garantálni a gép problémamentes működését
- Csak olyan fűrészlapokat használjon, amelyek megfelelnek a kezelési utasításban megadott adatoknak és amelyeket az EN 847-1 szabványnak megfelelően ellenőriztek
- Csak olyan tartozékokat használjon, amelyek legmagasabb megengedett fordulatszáma legalább akkora, mint a berendezés legmagasabb üresjáratú fordulatszáma
- Kizárólag minimum 184 mm és maximum 184 mm átmérőjű, 16 mm tengelyfuratú fűrészlapot használjon
- Soha ne használjon gyorsacélból (HSS) készült fűrészlapot
- Soha ne használjon kőszőrű-/vágókorongot a szerszámmal

## HASZNÁLAT ELŐTT

- Ügyeljen arra, hogy a munkadarabban lévő csavar, szög vagy hasonló ne okozhasson sérüléseket; a munka megkezdése előtt távolítsa el ezeket
- Mielőtt elkezdené a vágást, távolítson el minden akadályt a vágásvonal elől
- Rögzítse a munkadarabot** (befogókészülékkel vagy satuval befogott munkadarabot sokkal biztonságosabban lehet rögzíteni mint a kézzel tartottat)
- A rejtett vezetékek felkutatásához használjon alkalmas fémkereső készüléket, vagy kérje ki a helyi energiaellátó vállalat tanácsát** (ha megérinti az elektromos vezetékeket a berendezéssel, az tűzhöz és áramütéshez vezethet; a gázvezeték megrogánása robbanást eredményezhet; a vízvezetékbe való behatolás pedig anyagi károkhöz és áramütéshez vezethet)

## HASZNÁLAT KÖZBEN

- Munka közben a zaj meghaladhatja a 85 dB(A); használjon fülvédőt
- Soha ne használja a készüléket az eredeti védőburkolat nélkül
- Ne próbáljon nagyon kicsi munkadarabot vágni
- Ne dolgozzon a szerszámmal a feje felett
- A normálístól eltérő működés, valamint elektromos és mechanikus rendellenesség esetén azonnal kapcsolja ki a szerszámot és vegye ki az akkumulátort

## A HASZNÁLATOT KÖVETŐEN

- A gépet soha ne hagyja bekapcsolt állapotban, ha már nem dolgozik vele
- A körfűrész kikapcsolása után a fűrészlap leállását semmilyen külső erővel ne kísérelje meg gyorsítani

## AKKUMULÁTOROK

- A tartozék akkumulátor részlegesen van feltöltve (az akkumulátor teljes kapacitásának biztosítása érdekében az elektromos szerszám első használata előtt töltsen fel teljesen az akkumulátort az akkumulátortöltőben)
- Csak a következő akkumulátorokkal és töltőkkel használja a szerszámot
  - SKIL akkumulátor: BR1\*31\*\*\*\*
  - SKIL töltő: CR1\*31\*\*\*\*
- Ha az akkumulátor hibás, ne használja, hanem cserélje ki
- Ne szerelje szét az akkumulátort
- A szerszámot/akkumulátort óvja az esőtől
- Megengedett környezeti hőmérséklet (szerszám/töltő/akkumulátor):
  - a töltés során 4...40 °C
  - a használat során -20...+50 °C
  - a tárolás során -20...+50 °C

## A KÉSZÜLÉKEN/AKKUMULÁTORON TALÁLHATÓ SZIMBÓLUMOK MAGYARÁZATA

- Használat előtt olvassa el a használati utasítást
- Ha az akkumulátorok tűzbe kerülnek, akkor felrobbanhatnak, ezért semmilyen okból ne égesse el őket
- Ne tárolja a szerszámot/töltőt/akkumulátort 50 °C feletti helyiségben
- Ne dobja ki az elektromos szerszámokat és az akkumulátorokat a háztartási hulladékok közé

## KEZELÉS

- Az akkumulátor töltése
- ! olvassa el a töltővel kapott biztonsági figyelmeztetéseket és utasításokat**
- Az akkumulátor kivétele/behelyezése ②
- A fűrészlap felszerelése ②



## ! vegye ki az akkumulátort a szerszámból

- vegye ki az A imbuszkulcsot a B tartóból
  - nyomja be az elfordulás elleni C gombot, és tartsa benyomva, amíg eltávolítja a fűrészlap D szorítócsavarját úgy, hogy elfordítja az imbuszkulcsot
- AZ ÓRAMUTATÓ JÁRÁSÁVAL ELLENTÉTES IRÁNYBA** (= amerre a fűrészlapra nyomtatott nyíl is mutat)

## ! csak akkor nyomja be az elfordulás elleni C gombot, amikor a készülék üzemben kívüli állapotban van

- oldja ki az elfordulás elleni C gombot
- távolítsa el az E tárcsát

## ! ügyeljen arra, hogy a tárcsák H rögzítő felületei teljesen tiszták legyenek és a fűrészlap felé mutassanak

- nyissa ki az alsó F védőburkolatot a G karral, és a kart lenyomva tartva szerelje ki a fűrészlapot úgy, hogy a fűrészlapra nyomtatott nyíl valamint a fogak iránya megegyezzen az alsó védőburkolaton lévő nyíllal
- oldja ki az alsó F védőburkolatot
- szerelje fel az E tárcsát
- nyomja be az elfordulás elleni C gombot, és tartsa benyomva, amíg a fűrészlap szorítócsavarját megszorítja az imbuszkulcs segítségével, 1/8 fordulattal (ez meggátolja a fűrészlap megcsúszását, ha nagy ellenállásba ütközne, és csökken a motor túlterhelése és visszarúgása)
- oldja ki az elfordulás elleni C gombot
- A vágásmélység beállítása (0–66 mm) ⑦
  - az optimális vágás érdekében nem célszerű, ha a körfűrészlap több mint 3 mm-t túllóg a munkadarab alatt
  - lazítsa meg a J gombot
  - emelje fel/engedje le a K talpat, amíg az L mutató eléri a kívánt vágásmélységet
  - rögzítse a J gombot
- Akkumulátor töltésszintjelző ⑧
  - nyomja meg az akkumulátor töltöttségi szintjét jelző AC gombot az aktuális akkumulátorszint ⑧a kijelzéséhez
  - ! ha az AC ⑧b gomb megnyomása után az akkumulátor kijelzőjének legalacsonyabb szintje villogni kezd, az akkumulátor lemerült
  - ! ha az AC ⑧c gomb megnyomása után az akkumulátor kijelzőjének 2. szintje villogni kezd, az akkumulátor nincs a megengedett üzemi hőmérséklet-tartományon belül
- LED lámpa ⑫ V
  - A LED lámpa automatikusan felkapcsol, ha megnyomja a be-/kikapcsoló gombot
  - ! ha a LED lámpa elkezd villogni, az akkumulátorkímélés életbe lép (lásd az alábbiakban)
- Az akkumulátor védelme
  - A szerszám hirtelen kikapcsol vagy nem lehet visszakapcsolni, ha
  - **túl nagy a terhelés** --> távolítsa el a terhelést és kezdje újra
  - **az akkumulátor hőmérséklete kívül esik a -20 és +50 °C közötti megengedett üzemi hőmérséklet-tartományon** --> az AC gomb megnyomásakor az akkumulátor töltésszintjelző 2 szintje villogni kezd ⑧c; várjon addig, amíg az akkumulátor vissza nem tér a

megengedett hőmérséklet-tartományba

- **az akkumulátor majdnem lemerült (a mélykisülés elleni védelem érdekében)** --> alacsony akkumulátor töltésszint vagy villogó alacsony akkumulátor töltésszint ⑧b az akkumulátor töltésszintjelzőn látható az AC gomb megnyomásakor; töltsze fel az akkumulátort
- ! ha a készülék automatikusan kikapcsol, ne próbálja nyomogatni a be-/kikapcsoló gombot, mert az akkumulátor károsodhat
- A vágási szög beállítása (0–56°) ⑨
  - lazítsa meg az M kart
  - döntse meg a gépet, amíg az N mutató el nem éri a kívánt vágási szöget
  - a 45°-os P ferde ütközőnek köszönhetően gyorsan be lehet állítani a 45°-os ferde szöget
  - 45°-nál nagyobb ferde szög beállításához forgassa el a 45°-os P ferde ütközőt, hogy kivehesse az N mutatóból a húzza meg az M kart
  - ! ferde sík vágás esetén a vágásmélység nem egyezik meg a vágásmélység-skálán látható értékkel
- Q vágásvonal-jelző ⑩
  - a gép pontos használata érdekében vágjon a munkadarabon a rajzolt vonal mentén
  - egyenes 0°-os vagy 45°-os vágási szöghöz használja a megfelelő jelzővonalat
  - ! a talp nagyobbik részének fel kell feküdnie a munkadarabra
  - ! a vágási szélességet a fűrészlap fogainak szélessége határozza meg, nem pedig a fűrészlap vastagsága
  - ! a tényleges vágásvonal ellenőrzéséhez mindig végezzen először próbavágást
- Porszívás ⑪
  - Csatlakoztassa az R porszívó adaptert a fűrészhez a csillagfejű csavarral
  - Porszívó használata
  - csatlakoztassa a porszívó csövét a porszívó R adapteréhez
  - ! figyeljen arra, hogy a porszívócső soha ne akadályozza az alsó védőburkolat nyílását és a vágási munkálatokat
  - Porszák
    - szerelje fel az AD porszákot
- Szerszám használata
  - helyezze be az akkumulátort
  - az egyik kezével mindig az S fogantyút, a másikkal pedig a T fogantyút fogja erősen
  - a gépet helyezze a talp elülső oldalával a munkadarabra
  - ! ellenőrizze, hogy a fűrészlap fogai nem szorultak-e be a munkadarabra
  - kapcsolja be a szerszámot úgy, hogy először megnyomja a W biztonsági kapcsolót, majd meghúzza az Y indítókapcsolót
  - ! a körfűrésznek teljes fordulatszámon kell működnie, mielőtt a munkadarabra vezet
  - az alsó F védőburkolat automatikusan kinyílik, amikor belevezeti a fűrészlapot a munkadarabra (csak speciális vágásokhoz, például szűrővágáshoz nyissa ki kézzel az alsó védőburkolatot, a G kar segítségével)
  - ! ne erőltesse a szerszámot (alkalmazzon enyhe és folyamatos nyomást, hogy a fűrészlap hegye ne

hevüljön túl)

- a vágás befejeztével kapcsolja ki a gépet az Y kapcsolót segítségével

**! ellenőrizze, hogy a fűrészlap teljesen leállt-e, mielőtt a gépet a munkadarabtól eltávolítja**

## HASZNÁLAT

- A munkadarab színét mindig fordítsa lefelé, biztosítva a minimális felhasadást
- Csak megfelelő típusú, éles fűrészlapokat használjon <sup>(13)</sup>
  - a vágás minősége a fogak számának növekedésével javul
  - a keményfémlapkás fűrészlap élettartama 30-szor hosszabb, mint a hagyományos
- Keresztvágások/hasítások <sup>(14)</sup>

A keresztvágást vagy hasítást könnyű elvégezni a Z párhuzamos vezető segítségével.

  - igazítsa a vezetőlemezt a talpon lévő ° vágásvonal-jelzőhöz
  - illesze a párhuzamos Z vezetőt a talp egyik oldalára a kívánt szélességben, és rögzítse az AA gombbal

**! gondoskodjon róla, hogy a hasításhoz használt korlát ne zavarja az alsó vezetőlemez és a fűrészlap szabad mozgását**
- Szúróvágás <sup>(15)</sup>
  - állítsa be a kívánt vágási mélységet
  - döntse előre a gépet úgy, hogy a Q vágásvonal-leolvasó a munkadarabon jelölt, vágni kívánt vonallal egy vonalban legyen
  - nyissa ki az alsó F védőburkolatot a G karral
  - mielőtt a fűrészlap beleér a munkadarabba kapcsolja be a gépet, és a körfűrészgép hátsó részét lassan nyomja lefelé úgy, hogy az elülső oldalon lévő talp széle legyen a terhelendő pont
  - a gépet lassan engedje lefelé és egyidejűleg nyomja előre
  - engedje ki az G kart, amint a fűrészlap behatol az anyagba

**! soha ne húzza hátrafelé a gépet**
- Nagyméretű táblák vágása <sup>(16)</sup>
  - a vágásvonal mentén támassza alá a táblát a padlón, az asztalon, vagy a munkapadon

**! állítsa be a vágás mélységét úgy, hogy átvágja a panelt, de vigyázzon, hogy a tartóba ne vágjon bele**

  - amennyiben a párhuzamos vezetőléc nem engedi a kívánt szélesség beállítását, úgy szögeljen egy egyenes falécut a munkadarabra, amely vezetőlécként szolgál, és használja a talp bal oldalát a vezetőlécnél <sup>(17)</sup>
- Vágás vezetősinnel <sup>(19)</sup> \*NEM STANDARD TARTOZÉK  
A vezetősin használata precíz, egyenes, pontos vágásokat kínál, 0° és 45°-os ferde vágásoknál egyaránt. Mielőtt elvégezné az első vágást a vezetősinnel, a gumiszéglényt a használt körfűrészhez kell igazítani.
  - egyenes 0°-os vágáshoz állítsa fel az AE sín 0°-os ferde oldalát (vagy 45°-os ferde vágáskor a 45°-os ferde oldalt) a kívánt vágásvonallal jelölve a munkadarabon
  - rögzítse az AE vezetősint szilárdan a munkadarabra az AF vezetősin-bilincsek segítségével <sup>(18)</sup> \* NEM STANDARD TARTOZÉK
  - csúsztassa a fűrészt az AE sínre, és forgassa el

a gombokat az U vezetőhorony beállításához az óramutató járásával megegyező irányban, hogy minimalizálja a talp hornyá és az AE sín emelt bordája közötti rést, és győződjön meg arról, hogy a fűrészt szabadon tud csúszni a sínen anélkül, hogy oldalra fordulna.

- a vágásmélység beállításakor ne felejtse el helyet adni az AE vezetősin vastagságának
- vezesse a fűrészt egyenesen, lassú elötölással a sín végéig
- További információkért lásd a [www.skil.com](http://www.skil.com) oldalt

## KARBANTARTÁS / SZERVIZ

- Ez a szerszám nem professzionális használatra készült
- Mindig tartsa tisztán a szerszámot!  
**! távolítsa el az akkumulátort a tisztítás előtt**
- Az alsó F <sup>(2)</sup> védőburkolat alatti területet mindig tartsa tisztán (sűrített levegővel vagy kefével távolítsa el a port és a fagorgácsot)
- Közvetlen a használat után tisztítsa meg a körfűrészlapot (főleg a gyantától és a ragasztótól)
- Ha a szerszám a gondos gyártási és ellenőrzési eljárás ellenére egyszer mégis meghibásodna, akkor a javítással csak SKIL elektromos kéziszerszám-műhely ügyfélszolgálatát szabad megbízni
  - felbontás nélküli állapotban küldje a szerszámot a vásárlást igazoló számlával együtt a márkakereskedő vagy a legközelebbi SKIL szakszerviz címére (a címlista és a gép szervizdiagramja a [www.skil.com](http://www.skil.com) címen található)
- Vegye figyelembe, hogy a szerszám túlterheléséből vagy helytelen kezeléséből eredő károk nem tartoznak a garancia hatálya alá (a SKIL garanciális feltételeit elolvashatja a [www.skil.com](http://www.skil.com) oldalon, vagy kérdezze meg kereskedőjét)

## KÖRNYEZET

Csak az EU országaiban

- **Az elektromos szerszámokat, tartozékokat és csomagolást ne tegye a háztartási hulladékok közé**
  - az elektromos és elektronikus berendezések hulladékairól szóló 2012/19/EK európai irányelv és annak a nemzeti joggal összhangban történő végrehajtása értelmében az elhasznált elektromos szerszámokat külön kell gyűjteni, és környezetbarát módon újra kell hasznosítani
  - erre emlékeztet a <sup>(6)</sup> szimbólum, ha szükség van a hulladékezelésre
- **! ártalmatlanítás előtt erős szigetelőszalaggal védje az akkumulátor kapcsait a rövidzárlat elkerülése érdekében**

## ZAJ / REZGÉS

- Az EN 62841 szabványnak megfelelően végzett mérés szerint a szerszám hangnyomásszintje 91 dB(A), a hangteljesítményszintje 102 dB(A) (bizonytalanság K = 3 dB), a rezgés pedig \* (háromtengelyű vektor összege; bizonytalanság K = 1,5 m/s<sup>2</sup>) \* fa vágása < 2,5 m/s<sup>2</sup>
- A rezgés kibocsátási szint mérése az EN 62841 szabványosított vizsgálat szerint történt; ez az érték felhasználható egy szerszám és egy másik szerszám összehasonlítására, valamint a rezgésnek való kitettség

előzetes értékelésére, amikor a szerszámot az említett alkalmazásokhoz használják

- a szerszám különböző alkalmazásokhoz való használata, vagy más rosszul karbantartott tartozékokkal történő használata jelentősen megnövelheti a kitettség szintjét
- amikor a szerszám ki van kapcsolva, vagy működik, de valójában nem végeznek vele munkát, jelentős mértékben csökkenthetik a kitettség szintjét

**! védekezzen a rezgés hatása ellen a szerszám és tartozékai karbantartásával, a kezek melegen tartásával és a munkamódszerek megszervezésével**

CZ

## Bezkontaktní akumulátorová kotoučová pila 3571

### ÚVOD

- Tento nástroj je určen pro podélné a příčné řezání dřeva s rovnými řezy a řezy pod úhlem zkosení do 56°
- Tento nástroj není určen k profesionálnímu použití
- Tento návod s pokyny si pečlivě přečtěte a uschovejte ③

### TECHNICKÉ ÚDAJE ①

### SOUČÁSTI NÁSTROJE ②

- A Šestihranný klíč
  - B Úložný prostor pro šestihranný klíč
  - C Tlačítko k zajištění vřetena
  - D Šroub upevnění kotouče
  - E Příruba
  - F Spodní kryt
  - G Páka pro otevření spodního krytu
  - H Upinací plocha
  - J Knoflík k nastavení hloubky řezání
  - K Základní deska
  - L Indikátor hloubky řezu
  - M Páka pro nastavení úhlu řezu
  - N Indikátor úhlu řezu
  - P 45° doraz úkosu
  - Q Indikátor linie řezu
  - R Adaptér vysavače
  - S Zadní rukojeť
  - T Přední rukojeť
  - U Knoflíky pro nastavení vodící štěrbiny
  - V LED světlo
  - W Bezpečnostní spínač
  - X Vodící lišta:
  - Y Vypínač zap/vyp
  - Z Paralelní vedení
  - AA Knoflík pro nastavení paralelního vedení
  - AB Háček
  - AC Indikátor akumulátoru
  - AD Sáček na prach
  - AE Boční lišta
  - AF Svorka vodící kolejnice\*
- \* NENÍ STANDARDNÍ SOUČÁSTÍ

### BEZPEČNOST

## OBECNÁ BEZPEČNOSTNÍ VAROVÁNÍ PRO PRÁCI S ELEKTRICKÝM NÁŘADÍM

**⚠ VAROVÁNÍ Přečtěte si všechny bezpečnostní výstrahy, pokyny, ilustrace a technické údaje dodané s tímto elektrickým nářadím.** Nedodržení všech níže uvedených pokynů může vést k úrazu elektrickým proudem, požáru a/nebo vážnému úrazu.

**Všechna varování a pokyny uschovejte pro budoucí použití.**

Termín „elektrické nářadí“ ve varováních odkazuje na vaše elektrické nářadí (s kabelem) nebo akumulátorové nářadí (bez kabelu).

### 1) BEZPEČNOST NA PRACOVIŠTI

- Udržujte pracovní prostor v čistotě a dobře osvětlený.** Nepořádek nebo neosvětlené pracovní oblasti bývají příčinou úrazů.
- Neppracujte s elektrickým nářadím ve výbušném prostředí, například v přítomnosti hořlavých kapalin, plynů nebo prachu.** Elektrické nářadí je zdrojem jiskření, které může zapálit prach nebo výpary.
- Při práci s elektrickým nářadím udržujte děti a přihlížející osoby v bezpečné vzdálenosti.** Nesoustředěnost může způsobit ztrátu kontroly.

### 2) ELEKTRICKÁ BEZPEČNOST

- Zástrčky elektrického nářadí musí odpovídat zásuvkám. V žádném případě nikdy neupravujte zástrčku. Nepoužívejte žádné adaptérové zástrčky s uzemněným elektrickým nářadím.** Neupravené zástrčky a shodné zásuvky snižují riziko úrazu elektrickým proudem.
- Zabraňte kontaktu těla s uzemněnými povrchy, jako jsou potrubí, radiátory, sporáky a ledničky.** Existuje zvýšené riziko úrazu elektrickým proudem, pokud je vaše tělo uzemněno.
- Nevystavujte elektrické nářadí dešti nebo vlhkému prostředí.** Vniknutí vody do elektrického nářadí zvyšuje riziko úrazu elektrickým proudem.
- Nezatěžujte kabel. Nikdy nepoužívejte napájecí kabel k přenášení nářadí, tahání nebo vytahování zástrčky ze zásuvky. Udržujte kabel daleko od tepla, oleje, ostrých hran nebo pohyblivých částí.** Poškozené nebo spletené kabely zvyšují riziko úrazu elektrickým proudem.
- Při práci s nářadím venku použijte prodlužovací kabel vhodný pro venkovní použití.** Použití kabelu vhodného pro venkovní použití snižuje riziko úrazu elektrickým proudem.
- Pokud je provoz elektrického nářadí na vlhkém místě nevyhnutelný, použijte napájení chráněné proudovým chráničem (RCD).** Použití RCD snižuje riziko úrazu elektrickým proudem.

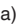
### 3) BEZPEČNOST OSOB

- Při práci s elektrickým nářadím buďte stále pozorní, sledujte, co děláte a používejte zdravý rozum. Nepoužívejte elektrické nářadí, jste-li unaveni nebo pod vlivem drog, alkoholu nebo léků.** Chvilka nepozornosti při práci s nářadím může vést k vážnému zranění.
- Používejte osobní ochranné pracovní prostředky.**

- Vždy používejte ochranu očí.** Ochranné pomůcky, jako např. respirátor, protiskluzová bezpečnostní obuv, pevná přilba nebo chrániče sluchu používané ve vhodném prostředí snižují riziko úrazu.
- c) **Zabraňte náhodnému spuštění. Před připojením ke zdroji napětí a/nebo akumulátoru, zvedáním nebo přenášením nářadí se ujistěte, že spínač je ve vypnuté poloze.** Přenášení nářadí s prstem na hlavním spínači nebo zapojení nářadí, které má spínač v zapnuté poloze, může způsobit nehody.
- d) **Před zapnutím elektrického nářadí odstraňte seřizovací klíče nebo klíče.** Nástroj nebo klíč, který zůstane upevněn k otáčející se části elektrického nářadí, může způsobit zranění.
- e) **Nepřeceňujte své síly. Vždy udržujte pevný postoj a rovnováhu.** To umožní lepší ovládání elektrického nářadí v nečekaných situacích.
- f) **Používejte vhodný oděv. Nenoste volný oděv ani šperky.** Udržujte své vlasy a oblečení mimo dosah pohybujících se částí. Volný oděv, šperky nebo dlouhé vlasy se mohou zachytit do pohybujících se částí.
- g) **Pokud je zařízení vybaveno adaptérem pro připojení odsávání prachu a sběrnými zařízeními, zajistěte jejich správné připojení a řádnou funkci.** Použití odsávání prachu může snížit nebezpečí týkající se prachu.
- h) **Nedovolte, abyste se po získání zkušeností častým používáním nástrojů stali neobezřetnými a ignorovali zásady bezpečnosti.** Nedbalá činnost může způsobit vážné zranění za zlomek sekundy.
- 4) POUŽITÍ A PÉČE O ELEKTRICKÉ NÁŘADÍ**
- a) **Netlačte příliš na nářadí. Používejte správný typ nářadí pro vaše použití.** Správné elektrické nářadí bude pracovat lépe a bezpečněji rychlostí, pro kterou bylo navrženo.
- b) **Nepoužívejte elektrické nářadí v případech, že vypínač nefunguje.** Jakékoliv elektrické nářadí, které nelze ovládat spínačem, je nebezpečné a musí se opravit.
- c) **Před jakýmkoliv seřizováním, výměnou příslušenství nebo před uložením nepoužívaného elektrického nářadí odpojte akumulátor, jde-li to provést.** Tato preventivní bezpečnostní opatření snižují riziko náhodného spuštění elektrického nářadí.
- d) **Nepoužívané elektrické nářadí uchovávejte mimo dosah dětí a nenechte s elektrickým nářadím pracovat osoby, které se neseznámily s elektrickým nářadím nebo těmito pokyny.** Elektrické nářadí je v rukou nekvalifikované obsluhy nebezpečné.
- e) **Udržujte elektrické nářadí a příslušenství. Zkontrolujte vychýlení či zaseknutí pohyblivých částí, poškození jednotlivých dílů a jiné okolnosti, které mohou ovlivnit provoz elektrického nářadí.** Je-li nářadí poškozeno, nechejte ho před použitím opravit. Mnoho nehod je způsobeno nedostatečnou údržbou nářadí.
- f) **Udržujte řezné nástroje ostré a čisté.** Řádně udržované řezné nástroje s ostrými řeznými hranami nemají tendenci se ohýbat a lépe se ovládají.
- g) **Používejte elektrické nářadí, příslušenství a nástrojové bity atd. v souladu s těmito pokyny s přihlédnutím k pracovním podmínkám a práci, která má být provedena.** Používání elektrického nářadí k činnostem, pro které není určeno, může vést k
- nebezpečným situacím.
- h) **Udržujte rukojeti a uchopovací plochy suché, čisté, bez oleje a maziva.** Kluzké rukojeti a plochy pro uchopení neumožňují bezpečnou manipulaci s nářadím a jeho ovládání v nečekaných situacích.
- 5) POUŽITÍ A PÉČE O AKUMULÁTOROVÉ NÁŘADÍ**
- a) **K nabíjení používejte pouze nabíječku doporučenou výrobcem.** Nabíječka vhodná pro jeden typ akumulátoru může způsobit riziko požáru při použití s jiným akumulátorem.
- b) **Používejte elektrické nářadí pouze se specifikovanými akumulátory.** Použití jiných akumulátorů může způsobit riziko úrazu a požáru.
- c) **Pokud akumulátor nepoužíváte, držte jej z dosahu kovových předmětů, jako jsou kancelářské sponky na papír, mince, klíče, hřebíky, šroubky nebo další drobné kovové předměty, které mohou propojit kontakty baterie.** Zkratování kontaktů baterie může způsobit spáleniny nebo požár.
- d) **V nevhodných podmínkách může z baterie unikat kapalina. Zabraňte kontaktu. Při náhodném kontaktu opláchněte zasažené místo vodou.** Při zasažení očí kapalinou vyhledejte lékařskou pomoc. Unikající kapalina z akumulátoru může způsobit podráždění pokožky nebo popáleniny.
- e) **Nepoužívejte akumulátor nebo nástroj, který je poškozen nebo upraven.** Poškozené nebo upravené baterie mohou mít nepředvídatelné chování, které může vést k požáru, výbuchu nebo nebezpečí zranění.
- f) **Nevystavujte akumulátor ani nářadí ohni nebo příliš vysoké teplotě.** Při vystavení ohni nebo teplotě nad 130 °C může dojít k výbuchu.
- g) **Dodržujte všechny pokyny pro nabíjení a nenabíjejte baterii nebo nástroj mimo rozsah teplot uvedených v pokynech.** Nesprávné nabíjení nebo nabíjení při teplotách mimo stanovený rozsah může poškodit akumulátor a zvýšit riziko požáru.
- 6) SERVIS**
- a) **Svěřte opravu vašeho elektrického nářadí kvalifikované osobě používající pouze shodné náhradní díly.** Tím zajistíte bezpečnost elektrického nářadí.
- b) **Nikdy neopravujte poškozené akumulátory.** Servis akumulátorů může provádět pouze výrobce nebo autorizovaní poskytovatelé služeb.

## BEZPEČNOSTNÍ UPOZORNĚNÍ PRO AKUMULÁTOROVÉ KOTOUČOVÉ PILY

### 1) POSTUPY ŘEZÁNÍ

- a) ** NEBEZPEČÍ: Udržujte ruce mimo oblast řezání a pilového kotouče. Druhou ruku mějte na přidavné rukojeti nebo krytu motoru.** Pokud držíte pilu oběma rukama, nemůže dojít k pořezení pilovým kotoučem.
- b) **Nesahejte pod obrobek.** Ochranný kryt nechraní před pilovým kotoučem pod obrobkem.
- c) **Hloubku řezu přizpůsobte tloušťce obrobku.** Pod obrobkem by měl být viditelný méně než celý zub pilového kotouče.
- d) **Nikdy nedržte řezaný obrobek v ruce nebo přes nohu. Upevněte obrobek na stabilní platformě.** Je důležité správně podepřít obrobek, aby se minimalizovalo

ztažení těla, možnost uvíznutí pilového kotouče nebo ztráta kontroly.

- e) **Při práci, při níž se řezný nástroj může dotknout skrytého vedení nebo vlastního kabelu, držte elektrický nástroj pouze za izolované úchopové plochy** (kontakt s „živým“ vodičem způsobí, že i odkryté kovové části elektrického nástroje budou „pod napětím“ a obsluha by mohla být zasažena elektrickým proudem).
- f) **Při rozřezávání používejte vždy podélné vodičko nebo rovné hranové vodičko.** To zlepšuje přesnost řezu a snižuje možnost uvíznutí pilového kotouče.
- g) **Vždy používejte kotouče správné velikosti a tvaru (diamantové versus kulaté) upínacích otvorů.** Kotouče, které neodpovídají montážním prvkům pily, budou nevyvážené, což povede ke ztrátě kontroly.
- h) **Nikdy nepoužívejte poškozené nebo nesprávné podložky nebo šrouby kotouče.** Podložky kotouče a šroub byly speciálně navrženy pro vaši pilu, pro optimální výkon a bezpečnost provozu.

## 2) PŘÍČINY ZPĚTNÉHO RÁZU A SOUVISEJÍCÍ VAROVÁNÍ

- Zpětný ráz je náhlá reakce na přiskřípnutý, zaseknutý nebo špatně seřízený pilový kotouč, která způsobuje nekontrolované zvednutí pily a její vyjetí z obrobku směrem k obsluze.
- Když je nůž přiskřípnut nebo pevně zaseknut zavíráním záběru, nůž se zastaví a reakce motoru žene jednotku rychle zpět směrem k obsluze.
- Pokud se kotouč v řezu zkroutí nebo bude nevyvážený, zuby na zadním okraji kotouče se mohou zarýt do horního povrchu dřeva, což způsobí, že kotouč vyleze ze zářezu a skočí zpět k obsluze.
- Zpětný ráz je důsledkem nesprávného použití elektrického nářadí anebo nevhodného pracovního postupu nebo podmínek a lze mu předcházet přijatím následujících opatření:

- a) **Udržte pevně uchopení oběma rukama na pile a umístěte paže tak, aby odolávaly zpětným silám. Umístěte své tělo po stranách kotouče, a ne v linii s kotoučem.** Zpětný ráz by mohl způsobit skok pily vzad, ale síly zpětného rázu mohou být ovládnuty operátorem, pokud jsou přijata příslušná opatření.
- b) **Když se kotouč zasekne, nebo když z jakéhokoli důvodu řez přerušíte, uvolněte spouštěcí tlačítko a držte pilu nehybně v materiálu, dokud se kotouč zcela nezastaví. Nikdy se nepokoušejte vyjmout pilu z obrobku a nevytahujte pilu směrem dozadu, když je kotouč v pohybu nebo může dojít ke zpětnému rázu.** Najděte příčinu a proveďte nápravná opatření k odstranění příčiny uvíznutí kotouče. Vyhněte se řezání hřebíků nebo šroubů.
- c) **Pokud chcete znovu spustit pilu v obrobku, vycentrujte pilový kotouč v řezu tak, aby zuby pily nezabíraly do materiálu.** Pokud se pilový kotouč zasekne, může se při opětovném spuštění pily zvednout nebo způsobit zpětný ráz od obrobku.
- d) **Velké panely podepřete, abyste minimalizovali riziko skřípnutí a zpětného rázu.** Velké panely mají tendenci klesat pod vlastní vahou. Podpěry je třeba umístit pod panel na obou stranách, v blízkosti linie řezu a poblíž okraje panelu.
- e) **Nepoužívejte tupé nebo poškozené kotouče.** Nenabroušené nebo nesprávně nastavené kotouče

vytvářejí úzký zářez, který způsobuje nadměrné tření, zaklínění kotouče a zpětný ráz.

- f) **Před prováděním řezu musí být zajišťovací páčky pro nastavení hloubky kotouče a úkos nastaveny pevně a bezpečně.** Pokud se nastavení kotouče při řezání posune, může dojít k uvíznutí a zpětnému rázu.
  - g) **Při řezání do stávajících zdí nebo jiných nepřehledných oblastí dbejte zvýšené opatrnosti.** Pronikající kotouč se může zaříznout do předmětů, které mohou způsobit zpětný ráz.
- ### 3) FUNKCE SPODNIHO KRYTU
- a) **Před každým použitím zkontrolujte, zda se spodní kryt správně zavírá. Nepoužívejte pilu, pokud se spodní kryt nepohybuje volně a okamžitě se nezavře. Nikdy neupínejte ani nepřivazujte spodní kryt do otevřené polohy.** Při náhodném pádu pily může dojít k ohnutí spodního krytu. Zvedněte spodní kryt zasouvací rukojetí a ujistěte se, že se volně pohybuje a nedotýká se kotouče ani jiné části, a to v žádném úhlu ani hloubce řezu.
  - b) **Zkontrolujte funkci pružiny spodního krytu. Pokud kryt a pružina nepracují správně, je třeba je před použitím opravit.** Spodní kryt se může pohybovat pomalu kvůli poškozeným částem, gumovým usazeninám nebo nahromaděné nečistot.
  - c) **Spodní kryt lze ručně zasunout pouze pro řezání speciálních řezů, jako jsou „ponorné řezy“ a „složené řezy“.** Zvedněte spodní ochranný kryt zasouvací rukojetí a jakmile kotouč vstoupí do materiálu, je třeba spodní kryt uvolnit. U všech ostatních řezů by měl spodní kryt pracovat automaticky.
  - d) **Před položením pily na ponk nebo na podlahu vždy dbejte na to, aby spodní kryt zakrýval kotouč.** Nechráněný, dojíždějící kotouč způsobí, že se pila bude posouvat dozadu a rozřeže vše, co jí stojí v cestě. Je třeba mít na paměti, jak dlouho trvá, než se kotouč po uvolnění spínače zastaví.

## DALŠÍ BEZPEČNOSTNÍ UPOZORNĚNÍ

### OBECNĚ

- Tento nástroj nesmí používat osoby mladší 16 let
- Nářadí není vhodný k řezání za vlhka
- **Nepracováváte žádný materiál obsahující azbest** (azbest je považován za karcinogen)
- Prach z materiálů, jako jsou barvy obsahující olovo, některé druhy dřeva, minerály a kovy, může být škodlivý (kontakt s prachem nebo jeho vdechnutí může způsobit alergickou reakci a/nebo vyvolat respirační choroby u obsluhy nebo přihlížejících); **používejte protiprachovou masku a pracujte se zařízením na odsávání prachu, pokud je možné jej připojit**
- Některé druhy prachu jsou klasifikovány jako karcinogenní (například dubový a bukový prach) zejména ve spojení s aditivy pro úpravu dřeva; **používejte protiprachovou masku a pracujte se zařízením na odsávání prachu, pokud je možné jej připojit**
- Dodržujte stanovená nařízení pro práci v prašném prostředí
- Tuto pilu nepoužívejte v kombinaci se stolem
- Před nastavením nebo výměnou příslušenství vždy vyjměte akumulátor

### PŘÍSLUŠENSTVÍ

- SKIL zajistí bezvadnou funkci nářadí pouze tehdy,



používáte-li původní značkové

- Používejte pouze pilové kotouče, jež odpovídají charakteristickým údajům uvedeným v tomto návodu k obsluze a jsou zkušeny a označeny podle EN 847-1
- Používejte pouze příslušenství, jejichž dovolené otáčky jsou alespoň tak vysoké jako nejvyšší otáčky bez zatížení nástroje
- Používejte pouze pilové/řezací kotouče s minimálním průměrem 184 mm, maximálním průměrem 184 mm a otvorem pro vřeten 16 mm
- Nikdy nepoužívejte pilové kotouče z vysokorychlostní oceli (HSS)
- Nikdy nepoužívejte brusné/řezné kotouče s tímto nářadím

#### PŘED POUŽITÍM

- Vyvarujte se poškození, které mohou způsobit šrouby, hřebíky a další předměty ve vašem obrobku; odstraňte je, než začnete pracovat
- Před zahájením řezání odstraňte všechny překážky na povrchu i pod řeznou dráhou
- **Zajistěte obráběný díl** (obráběný díl uchycený pomocí upínacích zařízení nebo ve svěráku je mnohem bezpečnější než v ruce)
- **Použijte vhodné hledací přístroje k vyhledání skrytých přírodních vedení nebo přivzete místní dodavatelskou společnost** (kontakt s elektrickým vedením může vést k požáru a elektrickému úderu; poškození plynového vedení může vést k explozi; proniknutí do vodovodního potrubí může způsobit věcné škody nebo elektrický úder)

#### BĚHEM POUŽITÍ

- Hladina hluku při práci může přesáhnout 85 dB(A); používejte ochranu sluchu.
- Nikdy nepoužívejte nářadí bez originálního ochranného systému
- Nepokoušejte se řezat extrémně malé obrobky
- S nářadím nepracujte nad hlavou
- V případě atypického chování nebo cizích hluků nářadí ihned vypněte a vyjměte akumulátor.

#### PO POUŽITÍ

- Když nářadí odkládáte, vypněte motor a zajistěte, aby se všechny pohyblivé části zcela zastavily
- Po vypnutí nářadí nikdy nepřibrzďte pilový kotouč tlakem ze strany

#### AKUMULÁTORY

- **Dodávaný akumulátor je částečně nabitý** (v zájmu zajištění maximální kapacity akumulátoru jej před prvním použitím vašeho elektrického nářadí úplně dobijte v nabíječce)
- **Používejte pouze následující akumulátory a nabíječky dodávané s tímto nástrojem**
  - Akumulátor SKIL: BR1\*31\*\*\*\*
  - Nabíječka SKIL: CR1\*31\*\*\*\*
- Poškozený akumulátor nepoužívejte, nahraďte jej novým
- Akumulátor nerozebírejte
- Nevystavujte nástroj/akumulátor dešti
- Povolená teplota prostředí (nářadí/nabíječka/akumulátor):
  - při nabíjení 4 až 40 °C
  - při provozu -20 až +50 °C
  - při skladování -20 až +50 °C

#### VYSVĚTLENÍ SYMBOLŮ NA NÁSTROJI/AKUMULÁTORU

- ③ Před použitím si přečtěte návod k použití
- ④ Baterie mohou při likvidaci v ohni explodovat, proto je v žádném případě nespálujte.
- ⑤ Skladujte nářadí/nabíječku/baterii na místech, kde teplota

nepřekročí 50 °C.

- ⑥ Nevyhazujte elektrické nářadí a baterie společně s domovním odpadem.

## OBSLUHA

- Nabíjení akumulátorů
  - ! **přečtěte si bezpečnostní upozornění a pokyny, které byly dodány spolu s nabíječkou**
- Vymutí/instalace akumulátoru ②
- Montáž pilového kotouče ②
  - ! **vytáhněte akumulátor z nářadí**
    - vezměte šestihřanný klíč A z úložště B
    - stiskněte tlačítko aretace vřetena C a držte ho, zatímco otáčením šestihřanného klíče A proti směru hodinových ručiček (= ve stejném směru, jako je šipka vytištěná na pilovém kotouči) odstraňujete šroub pilového kotouče D.
  - ! **blokovací tlačítko vřetene C stlačte pouze tehdy, když je nářadí v klidu**
    - uvolněte blokovací tlačítko vřetene C
    - odstraňte přírubu E
  - ! **zajistěte, že povrchy přírub H jsou naprosto čisté a že přiléhají na pilový kotouč**
    - otevřete spodní ochranný F pákou G a držte ji, zatímco namontujete pilový kotouč tak, že zuby pily a šipka natištěná na pilovém kotouči směřují stejným směrem jako šipka na spodním krytu
    - uvolněte spodní ochranný kryt F
    - nasadte přírubu E
    - stiskněte tlačítko aretace vřetena C a držte jej, zatímco utahujete šroub pilového kotouče šestihřanným klíčem o 1/8 otáčky nadoraz (zajišťuje prokluzování pilového kotouče při nadměrném odporu, čímž se snižuje přetížení motoru a zpětný ráz pily).
    - uvolněte blokovací tlačítko vřetene C
- Nastavení hloubky řezu (0–66 mm) ⑦
  - pro optimální kvalitu řezu by pilový kotouč neměl zasahovat více než 3 mm pod obrobek
  - uvolněte knoflík J
  - vytáhněte/snižte patku K až do požadované hloubky řezu vyznačené na stupnici pomocí indikátoru L
  - utáhnout knoflík J
- Ukazatel nabití akumulátoru ⑧
  - stiskněte tlačítko indikátoru akumulátoru AC pro zobrazení aktuální úrovně nabití ⑧
  - ! **na nejvyšší úrovní nabití začne kontrolka nabití po stisknutí tlačítka AC ⑥ b blikat, akumulátor je vybitý**
  - ! **když po stisknutí tlačítka AC ⑧ c začnou blikat 2 pole ukazatele, znamená to, že se akumulátor nachází mimo povolený rozsah pracovní teploty**
- LED světlo ⑫ V
  - LED světlo se automaticky rozsvítí při aktivaci vypínače.
  - ! **když LED světlo začne blikat, aktivuje se ochrana akumulátoru (viz níže)**
- Ochrana akumulátoru
  - Nářadí se najednou vypne nebo mu je zabráněno v zapnutí, když
    - **je zátěž příliš vysoká** --> odstraňte zátěž a proveďte restart
    - **teplota baterie není v přípustném rozsahu provozní teploty -20 až +50 °C** --> po stisknutí tlačítka AC ⑧ c začnou blikat 2 úrovně ukazatele stavu



- baterie; počkejte, dokud se teplota baterie nevrátí do přípustného rozsahu provozní teploty.
- **baterie je téměř vybitá (ochrana proti hlubokému vybití).** --> při stisknutí tlačítka AC se zobrazí nízký stav baterie nebo blikající nízký stav baterie (8)b; nabíjení baterie
  - po automatickém vypnutí nástroje netiskněte hlavní vypínač; mohlo by dojít k poškození akumulátoru
  - Nastavení úhlu řezu (0–56°) (9)
    - povolte páčku M
    - nakloňte nářadí až do požadovaného úhlu řezu vyznačeného na stupnici pomocí indikátoru N
    - 45° úhlový doraz P umožňuje rychlé nastavení úhlu 45°.
    - chcete-li nastavit úhel lokosu větší než 45°, otočte úhlovou zarážku 45° P a vyjměte ji z ukazatele N.
    - utáhněte páku M
  - ! **v případě úhlového řezání nesouhlasí skutečná hloubka řezu s hloubkou řezu uvedenou na stupnici**
  - Indikátor čáry řezu Q (10)
    - pro přesné vedení nářadí po obrobku v požadovaném směru
    - pro přímý řez 0° nebo zkosený řez 45° použijte příslušnou indikační čáru
  - ! **široká část patky musí spočívat na podepřené části obrobku**
  - ! **šířka řezu je dána šířkou rozvedení zubů kotouče, nikoliv jeho tloušťkou**
  - ! **vždy proveďte nejdříve zkušební řez pro ověření skutečné linie řezu**
  - Odsávání prachu (11)
    - Připevňte adaptér vysavače R k pile pomocí šroubu s křížovou hlavou.
    - Při použití odsávání
      - připojte hadici vysavače k adaptéru vysavače R
    - ! **dbejte, aby hadice vysavače při řezání neprekážela spodnímu chrániči a obsluze nářadí** Sáček na prach
    - montáž prachového sáčku AD
  - Použití nástroje
    - namontujte akumulátor
    - jednou rukou vždy pevně držte rukojeť S a druhou rukou pevně uchopte rukojeť T
    - umístěte nástroj předním koncem patky naplocho na obrobek
  - ! **ujistěte se, že zuby pilového kotouče nejsou zaseknuty do obrobku**
  - zapněte nástroj nejprve stisknutím bezpečnostního spínače W a poté stisknutím spouště Y.
  - ! **nářadí má běžet na plný výkon před vniknutím do obrobku**
  - pronikáním pilového kotouče do obrobku se automaticky otevírá spodní chránič F (použitím páky G můžete otevřít spodní chránič ručně pouze pro speciální řezání, např. ponorné řezání)
  - ! **na nástroj netlačte příliš (tlačte na něj zlehka a plynule, abyste zamezili přehřívání hrotů kotouče)**
  - po dokončení řezu vypněte nástroj uvolněním hlavního vypínače Y
  - ! **před zvednutím nástroje z obrobku se ujistěte, že se nůž zcela zastavil.**
- Vždy směřujte dobrou stranou obrobku dolů, abyste zajistili minimální štěpení
  - Používejte pouze ostré pilové kotouče správného typu (13)
    - kvalita řezu se zlepšuje podle počtu zubů
    - pilové kotouče z tvrdých kovů mají až 30krát delší životnost než běžné pilové kotouče
  - Příčné/podélné řezy (14)
    - S paralelním vedením Z lze snadno provádět příčné nebo podélné řezy.
    - vyrovnejte vodičko s ukazatelem čáry řezu Q na patce.
    - vložte paralelní vodičko Z do drážek na obou stranách patky na požadovanou šířku a zajistěte knoflíkem AA.
    - ! **zajistěte, aby podélný plot nebránil volnému pohybu spodního krytu a pilového kotouče.**
  - Ponorné řezání (15)
    - nastavte požadovanou hloubku řezu
    - naklánejte nástroj dopředu tak, aby indikátor čáry řezu Q byl zarovnan s požadovanou čarou řezu vyznačenou na řezaném předmětu
    - otevřete spodní kryt F pákou G
    - těsně před vniknutím kotouče do obrobku spusťte nářadí a pozvolně snižujte zadní část patky použitím přední hrany patky jako pantu
    - neustále pohybujte nářadím směrem dolů a vpřed
    - jakmile pilový kotouč materiál nařizne, můžete uvolnit páku G
    - ! **nikdy nevedte nářadí ve zpátečním směru**
  - Řezání velkých panelů (16)
    - podepřete panel v blízkosti řezu buď na podlaze, stole nebo ponku
    - ! **nastavte hloubku řezu tak, aby umožňovala prořezání pouze panelu, nikoliv podložky**
    - v případě, že paralelní vodičko neumožňuje požadovanou šířku řezu, upněte nebo přibijte rovný kus dřeva k obrobku jako vodičko a použijte levou stranu patky proti tomuto vodičku (17)
  - Řezání s vodící lištou (18) \*není součástí standardní výbavyNENÍ STANDARDNÍ SOUČÁSTI
    - Použití vodící lišty umožňuje přesné a rovné řezy s úhlem 0° nebo 45°.
    - Před provedením prvního řezu vodící lištou je třeba přizpůsobit gumový okraj použité kotoučové pile.
    - pro přímý řez pod úhlem 0° srovnajte stranu lišty AE s úhlem 0° (nebo stranu s úhlem 45° při řezání pod úhlem 45°) s požadovanou linií řezu vyznačenou na obrobku.
    - pevně zajistěte vodící lištu AE na obrobku pomocí svorek vodící lišty AF (18)\*NENÍ STANDARDNÍ SOUČÁSTI
    - nasadte pilu na lištu AE a otočte knoflíky pro nastavení vodící drážky U ve směru hodinových ručiček, abyste minimalizovali mezeru mezi drážkou v patce a vyvýšeným žebrem na liště AE, a ujistěte se, že pila může volně klouzat po liště, aniž by se kývala do stran.
    - při nastavování hloubky řezu nezapomeňte zohlednit tloušťku vodící lišty AE.
    - rovnoměrné vedení pily s pomalým posuvem přes konec lišty.
  - Další informace najdete na [www.skil.com](http://www.skil.com)

## NÁVOD K POUŽITÍ

## ÚDRŽBA/SERVIS

- Tento nástroj není určen k profesionálnímu použití
- Vždy udržujte nástroj v čistotě!

- ! před montáží vyměňte akumulátor z nástroje**
- Prostor kolem spodního krytu F ② vždy udržujte v čistotě (odstraňte prach a třísky vyfoukáním stlačeným vzduchem nebo kartáčem)
- Pilové kotouče čistěte okamžitě po jejich použití (především od pryskyřice a lepidla)
- Pokud dojde i přes pečlivou výrobu a náročnou kontrolu k poruše nástroje, svěřte provedení opravy autorizovanému servisnímu středisku pro elektronářadí firmy SKIL
  - zašlete nástroj **nerozebraný** spolu s potvrzením o nákupu své prodejně nebo nejbližšímu servisu značky SKIL (adresy a servisní schéma nástroje najdete na [www.skil.com](http://www.skil.com))
- Uvědomte si, že na poškození způsobené přetížením nebo nesprávným zacházením se nevztahuje záruka (záruční podmínky společnosti SKIL najdete na adrese [www.skil.com](http://www.skil.com) nebo se obraťte na prodejce)

## ŽIVOTNÍ PROSTŘEDÍ

Pouze pro země EU

- **Elektrické nářadí, doplňky a balení nevyhazujte do komunálního odpadu**

- podle evropské směrnice 2012/19/ES o nakládání s použitými elektrickými a elektronickými zařízeními a odpovídajících ustanovení právních předpisů jednotlivých zemí se použitá elektrická nářadí, musí sbírat odděleně od ostatního odpadu a podrobit ekologicky šetrnému recyklování

- na nutnost příslušného nakládání s odpadem upozorňuje symbol ⑥

- ! před likvidací chraňte kontakty akumulátoru silnou páskou, aby nedošlo ke zkratu**

## HLUČNOSTI/VIBRACE

- Hladina akustického tlaku tohoto nářadí měřená podle normy EN 62841 je 91 dB(A), a hladina akustického výkonu 102 dB(A) (nejistota K = 3 dB) a vibrace \* (trojosý vektorový součet; nejistota K = 1,5 m/s<sup>2</sup>) \* řezání dřeva < 2,5 m/s<sup>2</sup>.
- Úroveň vibrací byla měřena v souladu se standardizovaným testem podle EN 62841; je možné ji použít ke srovnání jednoho přístroje s druhým a jako předběžné posouzení vystavování se vibracím při používání přístroje k uvedeným aplikacím
  - používání nářadí k jiným aplikacím nebo s jiným či špatně udržovaným příslušenstvím může zásadně zvýšit úroveň vystavení se vibracím
  - doba, kdy je nářadí vypnuté, nebo když běží, ale ve skutečnosti není používáno, může zásadně snížit úroveň vystavení se vibracím

- ! chraňte se před následky vibrací tak, že budete dbát na údržbu nástroje a příslušenství, budete si udržovat teplé ruce a uspořádáte si své pracovní postupy**

## Fırçasız kablosuz daire testere

3571

### GİRİŞ

- Bu alet, 56°ye kadar açılı kesimlerin yanı sıra düz kesimlerle ahşabın uzunlamasına ve enine kesimi için tasarlanmıştır
- Bu alet profesyonel kullanıma yönelik değildir
- Bu kullanım kılavuzunu okuyun ve saklayın ③

### TEKNİK VERİLER ①

### ALETİN PARÇALARI ②

- A Alyan anahtarı
  - B Alyan anahtarı bölmesi
  - C Mil kilitleme düğmesi
  - D Bıçak civatası
  - E Flaş
  - F Alt muhafaza
  - G Alt muhafazayı açma kolu
  - H Sıkıştırma yüzeyi
  - J Kesme derinliği ayar topuzu
  - K Ayak plakası
  - L Kesme derinliği göstergesi
  - M Kesme açısı ayar kolu
  - N Kesme açısı göstergesi
  - P 45° eğim durdurucu
  - Q Kesim çizgisi göstergesi
  - R Elektrikli süpürge adaptörü
  - S Arka tutma kolu
  - T Ön tutma kolu
  - U Kılavuz yuvasını ayarlama topuzları
  - V LED ışık
  - W Emniyet anahtarı
  - X Kılavuz yuvası
  - Y Tetik
  - Z Paralel kılavuz
  - AA Paralel kılavuz ayar topuzu
  - AB Kanca
  - AC Batarya seviyesi göstergesi
  - AD Toz torbası\*
  - AE Kılavuz ray\*
  - AF Kılavuz ray mensesi\*
- \* STANDART OLARAK DAHİL DEĞİLDİR

### GÜVENLİK

#### ELEKTRİKLİ ALETLER İÇİN GENEL GÜVENLİK UYARILARI

**⚠ UYARI** Bu elektrikli alet ile birlikte verilen tüm güvenlik uyarılarını, talimatları, çizimleri ve teknik özellikleri okuyun. Aşağıdaki talimatların tamamına uyulmaması elektrik çarpması, yangın ve/veya ciddi yaralanma ile sonuçlanabilir.

**Tüm uyarı ve talimatları gelecekte başvuru amacıyla muhafaza edin.**

Uyarılarda geçen "elektrikli alet" terimi ile elektrik prizinden beslenen (kablolu) elektrikli alet veya şarjlı (kablesuz) elektrikli alet kastedilmektedir.

### 1) ÇALIŞMA ALANI GÜVENLİĞİ

- Çalışma alanını temiz tutun ve yeterli aydınlatma sağlayın.** Karışık veya karanlık alanlar kazalara yol açar.
- Elektrikli aletleri yanıcı sıvı, gaz veya toz varlığı gibi patlayıcı ortamlarda çalıştırmayın.** Elektrikli aletlerden çıkan kıvılcımlar toz veya gazları tutuşturabilir.
- Bir elektrikli aleti kullanırken çocukların ve etraftaki kişilerin aletten uzakta olduğundan emin olun.** Dikkatinizin dağılması kontrolü kaybetmenize neden olabilir.

### 2) ELEKTRİK GÜVENLİĞİ

- Elektrikli aletin fişi prize uygun olmalıdır. Fiş üzerinde asla değişiklik yapmayın. Topraklı (topraklamalı) elektrikli aletler için herhangi bir adaptör fişi kullanmayın.** Üzerinde değişiklik yapılmamış fişler ve uygun prizler elektrik çarpması riskini azaltır.
  - Borular, radyatörler, sıradağlar ve buzdolapları gibi topraklanmış veya topraklanmamış yüzeylerle vücut temasından kaçının.** Topraklanmış yerlerle temas etmeden halinde elektrik çarpması riski artar.
  - Elektrikli el aletlerini yağmura veya ıslak koşullara maruz bırakmayın.** Elektrikli alet içine giren su, elektrik çarpması riskini artırır.
  - Kabloyu hatalı kullanmayın. Kabloyu elektrikli aleti taşımak, çekmek veya prizden çıkarmak için kullanmayın.** Kabloyu sıcağın, yağdan, keskin kenarlardan veya hareketli parçalardan uzak tutun. Hasarlı veya birbirine dolaşmış kablolar elektrik çarpması riskini artırır.
  - Bir elektrikli aleti açık havada kullanırken, uygun bir dış mekan uzatma kablosu kullanın.** Dış mekan için uygun bir kablunun kullanılması elektrik çarpması riskini azaltır.
  - Elektrikli aletin nemli bir yerde çalıştırılması gerekiyorsa kaçak akım rölesi (RCD) kullanın.** RCD (kaçak akım rölesi) kullanımı elektrik çarpması riskini azaltır.
- ### 3) KİŞİSEL GÜVENLİK
- Elektrikli aletleri kullanırken daima dikkatli olun, yaptığınız işe yoğunlaşın ve sağduyulu davranın. Elektrikli aleti yorgunken ya da uyuşturucu, alkol ya da ilaç etkisi altındayken kullanmayın.** Elektrikli aletleri kullanırken bir anlık dikkatsizlik ciddi yaralanmalara yol açabilir.
  - Kişisel koruyucu ekipman kullanmak. Daima koruyucu gözlük takın.** Koşullara uygun toz maskesi, kaymaz emniyet ayakkabıları, kask veya işitme koruması gibi koruyucu ekipman kullanılması yaralanmaları azaltır.
  - Yanışıklıkla çalıştırmaktan kaçının. Aletin güç kaynağı ve/veya batarya ile bağlantısını yapmadan, kaldırmadan veya taşımadan önce açma/kapatma düğmesinin kapalı olduğundan emin olun.** Elektrikli aletleri, parmağınızı açma/kapatma düğmesinin üzerinden taşımak veya alet açıkken fişi prize takmak kazalara davetiye çıkarır.
  - Elektrikli el aletini açmadan önce herhangi bir ayar tuşunu veya anahtarını çıkarın.** Elektrikli aletin döner parçalarına takılı bir alyan veya anahtar yaralanmalara

neden olabilir.

- Aşırıya kaçmayın. Çalışma süresince ayaklarınızı sağlam basın ve dengeyi koruyun.** Bu sayede beklenmedik durumlarda elektrikli alet daha iyi kontrol edilebilir.
  - Uygun bir şekilde giyinin. Bol giysiler giymeyin veya takı takmayın. Saçlarınızı ve elbiselerinizi hareketli parçalardan uzak tutun.** Bol giysiler, takılar veya uzun saçlar hareketli parçalara takılabilir.
  - Toz emme ve toplama araçlarının bağlantısı için sağlanan cihazlar varsa bunların takılı olduğundan ve düzgün bir biçimde kullanıldığından emin olun.** Toz toplama araçlarının kullanımı tozdan kaynaklanabilecek tehlikeleri azaltabilir.
  - Aletleri sık kullanarak edindiğiniz alışkanlık rahat olmanıza ve aletin güvenliğini göz ardı etmenize neden olmamalıdır.** Dikkatsiz bir hareket, bir saniyeden daha kısa bir sürede ağır yaralanmalara neden olabilir.
- ### 4) ELEKTRİKLİ ALET KULLANIMI VE BAKIMI
- Elektrikli el aletini zorlamayın. Yaptığınız uygun elektrikli aleti kullanın.** Doğru elektrikli alet, tasarımına uygun değerlerde kullanıldığında daha iyi ve daha güvenli çalışır.
  - Elektrikli el aletini açık kapatmıyorsa kullanmayın.** Açma/kapatma düğmesi ile kontrol edilemeyen bir elektrikli alet tehlikelidir ve onarılması gerekir.
  - Herhangi bir ayar işlemi, aksesuar değişimi veya elektrikli aletlerin saklanması öncesinde fişi prizden çekin ve/veya eğer çıkarılabiliyorsa bataryayı elektrikli aletten çıkarın.** Bu tür önleyici güvenlik önlemleri, elektrikli aletin yanlışlıkla çalışması riskini azaltır.
  - Kullanılmayan elektrikli aletleri çocukların erişemeyeceği yerlerde saklayın ve elektrikli alet veya bu talimatlar hakkında bilgi sahibi olmayan kişilerin elektrikli aleti kullanmasına izin vermeyin.** Elektrikli aletler eğitimsiz kullanıcıların elinde tehlikelidir.
  - Elektrikli el aletlerinin ve aksesuarlarının bakımını yapmak. Hareketli parçaların hizalanmasını veya bağlanmasını doğru yapıp yapılmadığını, parçalarda hasar olup olmadığını ve elektrikli aletin çalışmasını etkileyebilecek tüm diğer koşulları kontrol edin.** Elektrikli alet hasarlı ise kullanmadan önce onarılmasını sağlayın. Kazaların çoğu, elektrikli alet bakımının yeterli şekilde yapılmamasından kaynaklanır.
  - Kesici aletleri keskin ve temiz tutun.** Keskin kesim kenarlarına sahip, bakımı düzgün yapılmış kesim aletleri daha az sorun çıkarır ve kontrolü kolaydır.
  - Elektrikli aleti, aksesuarlarını ve alet uçlarını vb. çalışma şartlarını ve yapılacak işi dikkate alarak bu talimatlara uygun şekilde kullanın.** Elektrikli aletin kullanım amacı dışındaki işlerde kullanılması tehlikeli durumlara neden olabilir.
  - Tutma kollarını ve kavrama yüzeylerini kuru, temiz, benzin ve yağdan uzak tutun.** Kaygan tutma kolları ve kavrama yüzeyleri, aletin beklenmeyen durumlarda güvenli bir şekilde tutulmasına ve kontrol edilmesine izin vermez.
- ### 5) BATARYA İLE ÇALIŞAN ALETLERİNİN KULLANIMI VE BAKIMI
- Sadece üretici tarafından belirtilen şarj cihazı ile şarj**

- edin.** Bir batarya türü için uygun olan şarj cihazı, başka bir batarya ile kullanıldığında yangın riski oluşturabilir.
- b) **Elektrikli aletleri sadece özel olarak üretilmiş bataryalarla kullanın.** Başka batarya türlerinin kullanımı yaralanma ve yangın tehlikesi oluşturabilir.
- c) **Bataryanın kullanımında olmadığı durumlarda bataryayı ataş, bozuk para, anahtar, çivi, vida veya batarya kutupları arasında kısa devre yapabilecek diğer metal nesnelere uzak tutun.** Batarya kutuplarının kısa devre yapılması yangın veya yanıklara neden olabilir.
- d) **Kötü şartlar altında bataryadan sıvı akışı olabilir; bu sıvı ile temas etmekten kaçının. Yanlışlıkla temas edilirse etkilenen bölgeyi su ile yıkayın. Sıvı göze temas ederse ayrıca tıbbi yardım alın.** Bataryadan akan sıvı tahriş veya yanıklara neden olabilir.
- e) **Hasarlı veya üzerinde değişiklik yapılmış bir bataryayı veya aleti kullanmayın.** Hasarlı veya üzerinde değişiklik yapılmış bataryalar yangın, patlama veya yaralanma riskine neden olacak şekilde beklenmeyen davranışlar gösterebilir.
- f) **Bataryayı veya aleti ateşe veya aşırı sıcaklıklara maruz bırakmayın.** Ateşe veya 130 °C'nin üzerindeki sıcaklıklara maruz kalması patlamaya neden olabilir.
- g) **Tüm şarj talimatlarına uyun ve bataryayı veya aleti talimatlarda belirtilen sıcaklık aralığının dışındaki sıcaklıklarda şarj etmeyin.** Hatalı veya belirtilen sıcaklık aralığının dışındaki sıcaklıklarda şarj etmek, bataryaya zarar verebilir ve yangın riskini artırır.
- 6) **SERVİS**
- a) **Elektrikli aletinizin bakımını, sadece orijinal yedek parça kullanan yetkili bir tamirciye yaptırın.** Bu sayede elektrikli aletin emniyetinin korunmasını sağlanır.
- b) **Asla hasarlı bataryalara bakım-onarım yapmayın.** Bataryaların bakımı sadece üretici veya yetkili servisler tarafından yapılmalıdır.

## KABLOSUZ DAİRE TESTERLER İÇİN GÜVENLİK UYARILARI

### 1) KESME İŞLEMLERİ

- a) **TEHLİKE :- Ellerinizi kesim alanından ve bıçaktan uzak tutun. İkinci elinizi yardımcı tutma yerinde veya motor mahfazasında tutun.** Testereyi her iki elinizle de tutarsanız testere bıçağı tarafından kesilemez.
- b) **İş parçasının altına uzanmayın.** Muhafaza, iş parçasının altındaki bıçaktan sizi koruyamaz.
- c) **Kesme derinliğini iş parçasının kalınlığına göre ayarlayın.** Bıçak dişlerinin tam dışından daha azı iş parçasının altında görünmelidir.
- d) **Kesilen iş parçasını asla ellerinizde veya bacağınızın üzerinde tutmayın. İş parçasını sabit bir platformda sabitleyin.** Vücudun maruz kalmasını, bıçak bağlantısını veya kontrol kaybını en aza indirmek için çalışmayı doğru bir şekilde desteklemek önemlidir.
- e) **Kesici aletin görünümüne kablolar veya kendi kablosuna temas etme olasılığı olan işleri yaparken aleti sadece izolasyonlu tutma yerlerinden tutun** ("elektrikli" bir kabloyla temas, elektrikli aletin açıkta kalan metal parçalarını da "elektrikli" hale getirir ve operatöre elektrik çarpmasına neden olabilir)
- f) **Yarma yaparken daima bir paralel kılavuz veya düz kenar kılavuzu kullanın.** Bu kesim doğruluğunu artırır ve

bıçağın tutukluk yapma olasılığını azaltır.

- g) **Daima çark delikleri doğru boyutta ve şekilde (yuvarlak yerine baklava şekilli) olan bıçakları kullanın.** Testerenin montaj donanımıyla uyuşmayan bıçaklar, merkezden uzaklaşarak kontrol kaybına neden olur.
- h) **Asla hasarlı veya yanlış bıçak rondelaları veya civataları kullanmayın.** En iyi performans ve çalışma güvenliği için bıçak rondelaları ve civatalar testereniz için özel olarak tasarlanmıştır.
- 2) **GERİ TEPME NEDENLERİ VE İLGİLİ UYARILAR**
- Geri tepme, sıkışmış ya da yanlış hizalanmış testere bıçağının ani bir tepkimesi olup, kontrolsüz bir testerenin iş parçasını operatöre doğru yukarı ve dışarı kaldırmasına neden olur.
  - Bıçak, kesim kanalının kapanmasıyla sıkı bir şekilde sıkıştırdığında veya sıkıca tutulduğunda, bıçak tezgahları ve motor tepkimesi, üniteyi operatöre doğru hızla geri döndürür.
  - Bıçak bükülürse veya kesim yerinin içinde yanlış hizalanmışsa bıçağın arka kenarındaki dişler ahşabın üst yüzeyine girebilir ve bıçağın kesim kanalından dışarı çıkmasına ve tekrar operatöre doğru sıçramasına neden olabilir.
  - Geri tepme, elektrikli aletin yanlış kullanılmasının ve/veya yanlış çalıştırma prosedür veya koşullarının bir sonucudur ve aşağıdaki önlemlerin alınması ile önlenabilir.
- a) **İki elinizle testereyi sıkıca kavrayın ve kollarınızı geri tepme kuvvetlerine dayanacak şekilde konumlandırın. Vücudunuzu bıçağın her iki tarafına yerleştirin, ancak bıçakla aynı hizaya getirmeyin.** Geri tepme testerenin geriye doğru sıçramasına neden olabilir, ancak uygun önlemler alındığında geri tepme kuvvetleri operatör tarafından kontrol edilebilir.
- b) **Bıçak tutukluk yaptığında veya herhangi bir sebeple kesme kesintiyi uğradığında, tetiği bırakın ve testere bıçağı tamamen duruncaya kadar malzemede hareketsiz tutun. Testere bıçağı hareket halindeyken veya geri tepme meydana gelebileceksen asla testereyi iş parçasından çıkarmaya veya testereyi geriye doğru çekmeye çalışmayın.** Bıçağın tutukluk yapma nedenini giderme yollarını araştırın ve düzeltici önlemler alın. Çivi veya vidaları kesmeyin.
- c) **İş parçasındaki bir testereyi yeniden başlatırken, testere bıçağını kesim kanalında ortalamayın ve testere dişlerinin malzemeye girmediyi kontrol edin.** Testere bıçağı tutukluk yaparsa, testere yeniden başlatıldığında iş parçasından yukarı doğru veya geri tepebilir.
- d) **Bıçak sıkışması ve geri tepme riskini en aza indirmek için büyük panelleri destekleyin.** Büyük paneller kendi ağırlıkları altında sarkma eğilimindedir. Destekler panelin her iki tarafında, kesim hattının yakınında ve panelin kenarına yakın bir yere yerleştirilmelidir.
- e) **Körleşmiş veya hasarlı bıçaklar kullanmayın.** Keskin olmayan veya yanlış ayarlanmış bıçaklar, aşırı sürtünme, bıçak tutukluğu ve geri tepmeye neden olan dar kesim kanalları açarlar.
- f) **Kesim yapmadan önce bıçak derinliği ve eğim ayarı kilitleme kolları sıkı ve sabit olmalıdır.** Bıçak ayarı kesme sırasında kayıyorsa tutukluk ve geri tepmeye

neden olabilir.

- g) **Mevcut duvarlara veya diğer kör alanlara doğru kesim yaparken çok dikkatli olun.** Çıktıntılı bıçak, geri tepmeye neden olabilecek nesnelere kesilebilir.

### 3) ALT MUHAFAZA İŞLEVI

- a) **Her kullanımdan önce alt muhafazanın uygun şekilde kapalı olup olmadığını kontrol edin.**  
**Alt muhafaza serbestçe hareket etmiyorsa ve aniden kapanmıyorsa testereyi çalıştırmayın. Alt muhafazayı asla açık konuma kenetlemeyin veya bağlamayın.** Testere kaza ile düşerse alt muhafaza bükülebilir. Alt muhafazayı geri çekme koluyla kaldırın ve serbestçe hareket ettiğinden ve tüm açılarda ve kesme derinliklerinde bıçağa veya herhangi bir parçaya temas etmediğinden emin olun.
- b) **Alt muhafaza yayının çalışmasını kontrol edin.**  
**Muhafaza ve yay düzgün çalışmıyorsa kullanımdan önce bakım yapılmalıdır.** Alt muhafaza, hasarlı parçalar, yapışkan tabakalar veya artık birikintileri nedeniyle yavaş çalışabilir.
- c) **Alt muhafaza, sadece dalarak kesme ve bileşik kesme gibi özel kesimler için manuel olarak geri çekilmelidir. Tutma kolunu geri çekerek alt muhafazayı kaldırın, bıçak malzemeye girer girmez alt muhafaza serbest kalmalıdır.** Diğer tüm testere işleri için alt muhafaza otomatik olarak çalışmalıdır.
- d) **Testereyi yere veya tezgaha koymadan önce her zaman alt muhafazanın bıçağı kapladığından emin olun.** Korumasız ve yana yatan bir bıçak, testerenin geriye doğru gitmesine ve önüne çıkan her şeyi kesmesine neden olur. Anahtar serbest bırakıldıktan sonra bıçağın düşmesi için belli bir süre geçmesi gerektiğini unutmayın.

## EK GÜVENLİK UYARILARI

### GENEL

- Bu araç 16 yaşın altındaki kişiler tarafından kullanılmamalıdır.
- Bu alet ıslak kesim için uygun değildir
- Asbest içeren malzemeleri çalıştırmayın** (asbest kanserojen olarak kabul edilir)
- Kurşun içeren boya, bazı ağaç türleri, mineraller ve metal gibi malzemelerden kaynaklanan tozlar zararlı olabilir (tozla temas veya tozun solunması operatöre veya seyircilere alerjik reaksiyonlara ve/veya solunum yolu hastalıklarına neden olabilir); **Bir toz maskesi takın ve bağlanabildiğinde** bir toz emme cihazıyla çalışın
- Bazı toz türleri, özellikle ahşap şartlandırma için katkı maddeleri ile birlikte kanserojen (meşşe ve kayın tozu gibi) olarak sınıflandırılır; **Bir toz maskesi takın ve bağlanabildiğinde** bir toz emme cihazıyla çalışın
- Çalışmak istediğiniz malzemeler için tozla ilgili ulusal gereklilikleri takip edin
- Bu testereyi testere tablasıyla birlikte kullanmayın
- Herhangi bir ayarlamayı yapmadan veya aksesuarları değiştirmeden önce bataryayı aletten çıkarın

### AKSESUARLAR

- SKIL sadece orijinal aksesuarlar kullanıldığında aletin düzgün çalışmasını garanti eder
- Sadece bu kullanım kılavuzunda belirtilen teknik özelliklerine uygun, EN 847-1'e göre test edilmiş ve buna uygun olarak işaretlenmiş testere bıçaklarını kullanın
- Bu aletle kullanacağınız aksesuar, devir sayısı en azından

- aletin boşta en yüksek devir sayısı kadar olmalıdır
- Sadece minimum 184 mm, maksimum 184 mm çapa ve 16 mm mil deliğine sahip testere bıçakları kullanın
- Yüksek hız çeliğinden (HSS) yapılmış testere bıçaklarını asla kullanmayın
- Bu aletle asla taşıma/kesme diskleri kullanmayın

### KULLANIMDAN ÖNCE

- İş parçanızdaki vidaların, çivilerin ve diğer elemanların neden olabileceği hasarlardan kaçınınız; çalışmaya başlamadan önce bunları çıkarın
- Kesmeye başlamadan önce kesme yolunun üstündeki ve altındaki tüm engelleri kaldırın
- Çalıştığınız parçayı sabitleyin** (kıskaçlarla ya da mengeneyle sabitlenmiş bir iş parçası elle tutulan iş parçasından daha güvenlidir)
- Görünmeyen elektrik kablolarını belirlemek için uygun dedektörler kullanın veya yerel elektrik şirketinden yardım isteyin** (elektrik kablolarıyla temas, yangın çıkmasına veya elektrik çarpmalarına neden olabilir; bir gaz borusu hasar görürse patlama tehlikesi olur; bir su borusunun delinmesi halinde maddi hasarlar meydana gelebilir veya elektrik çarpması tehlikesi ortaya çıkabilir)

### KULLANIM SIRASINDA

- Çalışırken gürültü seviyesi 85 dB (A)'yı aşabilir; kulak koruması takın
- Aleti asla orijinal koruma muhafazası sistemi olmadan kullanmayın
- Çok küçük iş parçalarını kesmeye çalışmayın
- Alet ile başınızın üzerinde çalışmayın
- Sıkışma veya elektrik veya mekanik arıza durumunda, aleti derhal kapatın ve bataryayı çıkarın

### KULLANIMDAN SONRA

- Aleti bir kenara koyduğunuzda, motoru kapatın ve tüm hareketli parçaların tamamen durduğundan emin olun
- Daire testerenizi kapattıktan sonra, testere bıçağının dönüşünü, üzerine uygulanan yanal bir kuvvetle asla durdurmayın.

### BATARYALAR

- Ürünle birlikte verilen batarya kısmen şarj edilmiştir** (bataryanın tam kapasiteyle çalışmasını sağlamak için elektrikli aletinizi ilk kez kullanmadan önce bataryayı, batarya şarj cihazında tamamen şarj edin)
- Bu aletle sadece aşağıdaki bataryaları ve şarj cihazlarını kullanın**
  - SKIL batarya: BR1\*31\*\*\*\*
  - SKIL şarj cihazı: CR1\*31\*\*\*\*
- Hasarlı bataryaları kullanmayın ve yenileyin.
- Bataryayı parçalarına ayırmayın.
- Aleti/bataryayı yağmura maruz bırakmayın.
- İzin verilen ortam sıcaklığı (alet/şarj cihazı/batarya):
  - şarj olurken 4 ile 40 °C arasında
  - çalışırken -20 ile +50 °C arasında
  - depolanırken -20 ile +50 °C arasında

### ALETİ/BATARYA ÜZERİNDEKİ SİMGELERİN AÇIKLAMASI

- Kullanmadan önce kullanım kılavuzunu okuyun
- Ateşe atılan bataryalar patlayabilir, bu yüzden hiçbir nedenle bir bataryayı yakmayın
- Aleti, şarj cihazını ve bataryayı sıcaklığın 50 °C'yi aşmadığı yerlerde depolayın
- Elektrikli aletleri ve bataryaları evsel atık malzemelerle birlikte atmayın

## KULLANIM

- Bataryanın şarj edilmesi  
**! şarj cihazı ile birlikte verilen güvenlik uyarıları ve talimatlarını okuyun**
- Bataryanın çıkarılması/takılması ②
- Testere bıçağı montajı ②  
**! bataryayı aletten çıkarın**  
- alyan anahtarını (A) saklama bölgesinden (B) alın  
- mil kilitleme düğmesine (C) basılı tutup, bıçak civatasını (D) alyan anahtarını SAAT YÖNÜNÜN TERSİNE çevirerek açın (= testere bıçağına basılı okla aynı yönde)  
**! mil kilitleme düğmesine (C) yalnızca alet çalışmıyorken basın**  
- mil kilitleme düğmesini (C) bırakın  
- flanşı (E) çıkarın  
**! flanşların sıkıştırma yüzeylerinin (H) tamamen temiz olmasına ve bıçağa oturmasına dikkat edin**  
- alt muhafazayı açma kolunu (G) kullanarak alt muhafazayı (F) açık tutup, testere dişleri ile testere bıçağını monte edin; testere bıçağında basılı ok, alt muhafazadaki okla aynı yönü göstermelidir  
- alt muhafazayı (F) bırakın  
- flanşı (E) monte edin  
- mil kilitleme düğmesine (C) basılı tutup, bıçak civatasını alyan anahtarla sıkıştırırken parmağınızı 1/8 tur çevirin (aşırı dirençle karşılaştığında testere bıçağının kaymasını sağlayarak motorun aşırı yüklenmesini ve testere geri tepmesini azaltır)  
- mil kilitleme düğmesini (C) bırakın
- Kesme derinliğinin ayarlanması (0-66 mm) ⑦  
- kesme kalitesinin optimal olarak sağlanabilmesi için testere bıçağının iş parçasının altından 3 mm'den fazla çıkması gerekir  
- topuzu (J) gevşetin  
- göstergeyi (L) kullanarak ölçekte istenen kesme derinliği ayarlanana kadar ayağı (K) kaldırın/indirin  
- topuzu (J) sıkın
- Batarya seviyesi göstergesi ⑧  
- mevcut batarya seviyesini ⑧a görmek için batarya seviyesi düğmesine (AC) basın  
**! düğmeye (AC) bastıktan sonra batarya göstergesinin en alt seviyesi (⑧b) yanıp sönmeye başladığında batarya boşalmıştır**  
**! düğmeye (AC) bastıktan sonra batarya göstergesinin 2 seviyesi (⑧c) yanıp sönmeye başladığında batarya izin verilen çalışma sıcaklığı aralığında değildir**
- LED ışık ⑫ (V)  
Açma/kapatma düğmesi etkinleştirildiğinde LED ışık otomatik olarak yanar  
**! LED ışık yanıp sönmeye başladığında batarya koruması devreye girer (aşağıya bakın)**
- Batarya durumu  
Aşağıdaki durumlarda alet aniden kapanır veya tekrar çalıştırmamaz  
- **yük çok fazla olduğunda** --> yükü kaldırın ve yeniden çalıştırın
- **- batarya sıcaklığı, -20 ile +50 °C arasındaki izin verilen çalışma sıcaklığı aralığında olmadığında** --> AC düğmesine bastığınızda batarya seviyesi göstergesinin 2 seviyesi yanıp sönmeye başlar ⑧c; batarya sıcaklığı izin verilen çalışma sıcaklığı aralığına dönene kadar bekleyin
- **- batarya bitmeye yakınken (aşırı boşalmaya karşı**

**korumak için**) --> AC düğmesine bastığınızda batarya seviyesi göstergesi tarafından düşük batarya seviyesi veya yanıp sönen düşük batarya seviyesi ⑧b gösterilir  
**! alet otomatik olarak kapandıktan sonra açma/kapatma düğmesine basmayın; batarya hasar görülebilir**

- Kesme açısının ayarlanması (0-56°) ④  
- kolu (M) gevşetin  
- göstergeyi (N) kullanarak ölçekte istenen kesme açısı ayarlanana kadar aleti eğin  
- 45° eğim durdurucu (P), 45° eğim açılı hızlı bir ayar sağlar  
- eğim açısını 45°den fazla ayarlamak için 45° eğim durdurucuyu (P) döndürerek göstergeden (N) çıkarın  
- kolu (M) sıkın  
**! gönyeli kesme sırasında derinlik çizelgesinde görülen kesme derinliği gerçek kesme derinliği değildir**
- Kesim çizgisi göstergesi (Q) ⑩  
- iş parçası üzerinde işaretlenmiş istenen kesme çizgisi boyunca aleti yönlendirmek için kullanılır  
- 0° düz kesim veya 45° eğimli kesim için ilgili gösterge çizgisini kullanın  
**! ayağın büyük bölümü, iş parçasının yaslanmış bölümü üzerinde olmalıdır**  
**! kesme genişliği, testere bıçağı kalınlığı ile değil, testere bıçağı dişlerinin genişliği ile belirlenir**  
**! gerçek kesme çizgisini kontrol etmek için daima bir deneme kesmesi yapın**
- Toz emme ⑪  
Elektrikli süpürge adaptörünü (R) yıldız başlı vida ile testereye takın  
Elektrikli süpürgeyi kullanmak için  
- elektrikli süpürge hortumunu, elektrikli süpürge adaptörüne (R) bağlayın  
**! elektrikli süpürge hortumunun hiçbir zaman alt muhafazaya veya kesme işlemine müdahale etmesine izin vermemeyin**  
Toz torbası  
- toz torbasını (AD) takın
- Aleti çalıştırma  
- bataryayı takın  
- her zaman bir elinizle arka kolu (S) sıkıca tutun ve diğer elinizle ön kolu (T) sıkıca tutun  
- aleti, ayağın ön ucu düz olacak şekilde iş parçasının üzerine yerleştirin  
**! testere bıçağı dişlerinin iş parçasını saplı olmamasına dikkat edin**  
- ilk önce emniyet anahtarına (W) basıp ardından tetiği (Y) çekerek aleti çalıştırın  
**! testere, testere bıçağı iş parçası içine girmeden önce maksimum hıza erişmelidir**  
- testere bıçağı iş parçasına girince alt muhafaza (F) otomatik olarak açılır (sadece daldırılmalı kesimler gibi özel kesimler için kolu (G) kullanarak alt muhafazayı manuel olarak açın)  
**! aleti gereğinden fazla zorlamayın (bıçak uçlarının aşırı ısınmasını önlemek için hafif ve sürekli basınç uygulayın)**  
- kesme işlemi tamamlandıktan sonra tetiği (Y) bırakarak aleti kapatın  
**! aleti iş parçasından çıkarmadan önce testere bıçağının tamamen durmasını bekleyin**



## UYGULAMA ÖNERİLERİ

- Minimum parçalanma sağlamak için her zaman iş parçasının iyi tarafına bakacak şekilde
- Sadece doğru tipte keskin testere bıçakları kullanın ⑬
  - diş sayısı arttıkça kesim kalitesi artar
  - karbür uçlu bıçaklar sıradan bıçaklardan 30 kata kadar daha uzun süre keskin kalır
- Çapraz kesimler/yarmalı kesimler ⑭
  - Çapraz kesimler veya yarmalı kesimler, bir paralel kılavuz (Z) ile kolayca yapılabilir.
  - kılavuzu ayaktaki 0° kesim çizgisi göstergesi (Q) ile hizalayın
  - ağağın her iki tarafındaki yuvalardan istenen genişliğe kadar bir paralel kılavuz (Z) yerleştirin ve topuz (AA) ile sabitleyin

### ! yarma siperinin alt koruyucunun ve testere bıçağının serbest hareketini engellemediğinden emin olun

- Dalarak kesme ⑮
  - istenen kesim derinliğini ayarlayın
  - iş parçası üzerinde işaretlenmiş istenen kesim çizgisi ile hizalanmış kesim çizgisi göstergesini (Q) kullanarak aleti öne doğru eğin
  - kolu (G) kullanılarak alt muhafazayı (F) açın
  - bıçak iş parçasına girmeden hemen önce, aleti çalıştırın ve ağağın ön ucunu dayanma noktası olarak kullanarak aletin arka ucunu kademeli olarak indirin
  - aleti kademeli olarak aşağı ve ileriye doğru hareket ettirin
  - bıçak malzemeye girer girmez kolu (G) bırakın
- ! aleti asla geriye doğru çekmeyin

### • Büyük panellerin kesilmesi ⑯

- paneli kesime yakın yerde, masada veya tezgahta destekleyin

### ! kesme derinliğini destekten değil panelden kesecek şekilde ayarlayın

- paralel kılavuz istenen kesim genişliğine izin vermiyorsa, düz tahta parçasını iş parçasına kılavuz olarak kenetleyin veya çakın ve ağağın sol tarafını bu kılavuza karşı kullanın ⑰

- Kılavuz ray ⑱ ile kesim \*STANDART DAHİL DEĞİLDİR Kılavuz ray kullanımı, 0° veya 45° eğimli kesimlerde hassas, düz, doğru kesimler sağlar.

Kılavuz ray ile ilk kesimi yapmadan önce kauçuk dudak kullanılan daire testereye uyarlanmalıdır.

- düz 0° kesim için, rayın (AE) 0° eğimli tarafını (veya 45° eğimli kesim yaparken 45° eğimli tarafını) iş parçası üzerinde işaretlenmiş istenen kesim çizgisiyle hizalayın
  - kılavuz rayı (AE) iş parçası üzerine kılavuz rayı mengenesini (AF) kullanarak sıkıca sabitleyin ⑲ \*STANDART OLARAK DAHİL DEĞİLDİR
  - testereyi rayın (AE) üzerine kaydırın ve ayaktaki yuva ile ray (AE) üzerindeki yükseltilmiş çıkıntı arasındaki boşluğu en aza indirmek için kılavuz yuvasını (U) ayarlamak üzere topuzları saat yönünde çevirin ve testerenin yana sallanmadan ray üzerinde serbestçe kayabildiğinden emin olun
  - kesme derinliğini ayarlarken kılavuz rayın (AE) kalın olmasını unutmayın
  - testereyi rayın ucundan yavaş bir besleme hızıyla düzgün bir şekilde yönlendirin
- Daha fazla bilgi için bkz. www.skil.com

## BAKIM / SERVİS

- Bu alet profesyonel kullanımına yönelik değildir
- Aleti her zaman temiz tutun!
- ! **temizlemeye önce aletten bataryayı çıkarın**
- Alt muhafazanın (F) ② çevresini her zaman temiz tutun (basınçlı hava veya fırça yardımıyla tozu ve talaşı temizleyin)
- Testere bıçağını kullanımdan hemen sonra temizleyin (özelleikle reçine ve yapıştırıcıdan)
- Dikkatli biçimde yürütülen üretim ve test prosedürlerine rağmen alet arızalanırsa onarım işlemleri SKIL elektrikli aletlerine yönelik bir satış sonrası servis merkezinde yapılmalıdır
  - aleti parçalarına ayrılmaması olarak satın alma belgesiyle birlikte satıcınıza veya en yakın SKIL servisine gönderin (servis adresleri ve aletin servis çizelgesi www.skil.com adresinde listelenmiştir)
- Aşırı yüklenme ve yanlış kullanımın aleti garanti kapsamından çıkaracağını unutmayın (SKIL garanti koşulları için www.skil.com adresine bakın veya satıcınıza başvurun)

## ÇEVRE

Sadece AB ülkeleri için

- Elektrikli aletleri, aksesuarları ve ambalajları evsel atık malzemelerle birlikte atmayın
  - atık elektrikli ve elektronik eşyalarla ilgili 2012/19/EC sayılı Avrupa Birliği Direktifi ve bu direktifin uyarlandığı ulusal yasalar gereğince kullanım ömrünün sonuna ulaşan elektrikli aletler ayrı olarak toplanmalı ve çevreye uyumlu bir geri dönüşüm tesisine gönderilmelidir
  - ⑥ sembolü, bertaraf etme ihtiyacı meydana geldiğinde size bunu hatırlatması içindir

### ! bataryayı atmadan önce kısa devre oluşmasını önlemek için batarya kutuplarını kalın bantla sarın

## GÜRÜLTÜ / TİTREŞİM

- EN 62841 standardına uygun olarak yapılan ölçümlere göre bu aletin ses basıncı seviyesi: 91 dB(A), ses gücü seviyesi 102 dB(A) (belirsizlik K = 3 dB) ve titreşim\* (triaks vektör toplamı; belirsizlik K = 1,5 m/sn.<sup>2</sup>) \* aışap kesme < 2,5 m/sn.<sup>2</sup>
- Titreşim emisyonu seviyesi EN 62841 standardında belirtilen standart teste göre ölçülmüştür; bu seviye, bir aleti bir başkasıyla karşılaştırmak amacıyla ve aletin söz konusu uygulamalarda kullanılması sırasında titreşime maruz kalma derecesinin ön değerlendirmesi olarak kullanılabilir
  - aletin farklı uygulamalar için veya farklı ya da bakımı yetersiz yapılmış aksesuarlarla kullanılması, maruz kalma seviyesini belirgin biçimde artırabilir
  - aletin kapalı olduğu veya çalıştığı ancak gerçek anlamda iş yapmadığı zamanlarda, maruz kalma seviyesi belirgin biçimde azalabilir
- ! **aletin ve aksesuarlarının bakımını yaparak, ellerinizi sıcak tutarak ve çalışma şeklinizi organize ederek kendinizi titreşimin etkilerinden koruyun**

## Bezszcotkowa akumulatorowa piła tarczowa 3571

### WSTĘP

- Narzędzie to przeznaczone jest do wzdłużnego i poprzecznego cięcia drewna, zarówno pod kątem prostym, jak i ukośnie do 56°
- Narzędzie nie jest przeznaczone do zastosowań profesjonalnych
- Prosimy przeczytać i zachować niniejszą instrukcję ③

### DANE TECHNICZNE ①

#### ELEMENTY NARZĘDZIA ②

- A Klucz imbusowy
  - B Schowek na klucz imbusowy
  - C Przycisk blokady wrzeciona
  - D Śruba mocująca tarczę
  - E Kotnierz
  - F Osłona dolna
  - G Dźwignia otwierania osłony dolnej
  - H Powierzchnia zaciskowa
  - J Pokrętło ustawiania głębokości cięcia
  - K Stopa
  - L Wskaźnik głębokości cięcia
  - M Dźwignia regulacji kąta cięcia
  - N Wskaźnik kąta cięcia
  - P Ogranicznik nachylenia o 45°
  - Q Wskaźnik linii cięcia
  - R Adapter do odkurzacza
  - S Uchwyt tylny
  - T Uchwyt przedni
  - U Pokrętło regulacji szczeliny prowadzącej
  - V Lampka LED
  - W Wyłącznik bezpieczeństwa
  - X Szczelina prowadząca
  - Y Włacznik spustowy
  - Z Prowadnica równoległa
  - AA Pokrętło regulacji prowadnicy równoległej
  - AB AZaczep
  - AC Wskaźnik poziomu naładowania akumulatora
  - AD Worek na pył\*
  - AE Szyna prowadząca\*
  - AF Zacisk szyny prowadzącej\*
- \* ELEMENT NIEDOSTĘPNY W STANDARDZIE

### BEZPIECZEŃSTWO

#### OGÓLNE OSTRZEŻENIA DOTYCZĄCE BEZPIECZEŃSTWA UŻYWANIA ELEKTRONARZĘDZI

**⚠ OSTRZEŻENIE:** Prosimy przeczytać wszystkie ostrzeżenia i instrukcje oraz przestudiować specyfikację i ilustracje dostarczone wraz z elektronarzędziem. Niestosowanie się do wszystkich podanych niżej instrukcji może doprowadzić do porażenia prądem, pożaru i/lub poważnych obrażeń.

Wszystkie ostrzeżenia i instrukcje należy zachować na

#### przyszłość.

Termin „elektronarzędzie” występujący w ostrzeżeniach dotyczy narzędzia elektrycznego o zasilaniu sieciowym (przewodowego) lub akumulatorowym (beprzewodowego).

#### 1) BEZPIECZEŃSTWO W MIEJSCU PRACY

- Należy dbać o czystość i dobre oświetlenie w miejscu pracy.** Bałagan i złe oświetlenie sprzyjają wypadkom.
- Nie należy używać elektronarzędzi w miejscach zagrożonych wybuchem, np. w obecności łatwopalnych cieczy, gazów lub pyłu.** Elektronarzędzia wytwarzają iskry, które mogą zapalić opary lub pył.
- W czasie pracy elektronarzędzie należy trzymać z dala od dzieci i osób postronnych.** Chwila nieuwagi może spowodować utratę kontroli nad urządzeniem.

#### 2) BEZPIECZEŃSTWO ELEKTRYCZNE

- Wtyczki elektronarzędzi muszą pasować do gniazdek. Nigdy w jakikolwiek sposób nie wolno przerabiać wtyczki. Do elektronarzędzi wymagających uziemienia nie należy używać przejściówek.** Oryginalne wtyczki i pasujące do nich gniazdko zmniejszają ryzyko porażenia prądem.
  - Należy unikać dotykania ciałem powierzchni uziemionych, takich jak np. rury, kaloryfery, kuchenki i lodówki.** Uziemienie ciała zwiększa ryzyko porażenia prądem.
  - Elektronarzędzia należy chronić przed deszczem i wilgocią.** Woda dostająca się do wnętrza elektronarzędzia zwiększa ryzyko porażenia prądem.
  - Nie należy nadwyrażać przewodu. Nigdy nie należy używać przewodu do noszenia lub ciągnięcia elektronarzędzia; nie należy chwycić za przewód, aby wyjąć wtyczkę z kontaktu. Przewód należy chronić przed gorącym, ropą, olejem, ostrymi krawędziami i poruszającymi się częściami.** Zaplątane lub uszkodzone przewody zwiększają ryzyko porażenia prądem.
  - Podczas używania elektronarzędzia na dworze należy stosować przedłużacz nadający się do używania na dworze.** Używanie przewodu przeznaczonego do stosowania na dworze zmniejsza ryzyko porażenia prądem.
  - Jeżeli użycie elektronarzędzia w miejscu o dużej wilgotności jest nieuniknione, należy stosować zasilanie zabezpieczone wyłącznikiem różnicowoprądowym.** Używanie wyłącznika różnicowoprądowego zmniejsza ryzyko porażenia prądem.
- #### 3) BEZPIECZEŃSTWO OSOBISTE
- Podczas pracy narzędziem należy zachowywać czujność, patrzeć, co się robi i kierować się zdrowym rozsądkiem. Nie należy używać elektronarzędzia, gdy użytkownik jest zmęczony, albo pod wpływem narkotyków, alkoholu lub leków.** Chwila nieuwagi w czasie postugiwania się elektronarzędziami może spowodować poważne obrażenia.
  - Należy używać środków ochrony osobistej. Należy zawsze nosić okulary ochronne.** Stosowanie w odpowiednich warunkach sprzętu ochronnego takiego

- jak np. maska przeciwpyłowa, obuwie ochronne z podeszwami antypoślizgowymi, kask lub ochronniki słuchu zmniejszy ewentualne obrażenia.
- c) **Nie należy dopuszczać do przypadkowego włączenia. Należy pilnować, aby przed podłączeniem narzędzia do zasilania i/lub baterii akumulatorowej oraz przed podniesieniem i przenoszeniem przełącznik był ustawiony w pozycji „wyłączone”.** Przenoszenie elektronarzędzia z palcem na wyłączniku lub podłączanie do prądu elektronarzędzia z włączonym przełącznikiem może prowadzić do wypadków.
- d) **Przed włączeniem elektronarzędzia należy usunąć wszystkie klucze regulacyjne i inne narzędzia.** Klucz zaczepiony o obracającą się część elektronarzędzia może spowodować obrażenia.
- e) **Nie należy sięgać za daleko. Należy zawsze dbać o utrzymanie równowagi i pewne podparcie nóg.** W nieprzewidzianych sytuacjach zapewnia to lepszą kontrolę nad elektronarzędziem.
- f) **Należy nosić odpowiednią odzież. Nie powinno się nosić luźnych ubrań ani biżuterii.** Włosy i odzież należy trzymać w bezpiecznej odległości od poruszających się części. Luźne ubrania, biżuteria lub długie włosy mogą zaczepić się o poruszające się części.
- g) **Jeżeli urządzenie jest przystosowane do podłączania do odsysacza pyłu i urządzenia zbierającego, należy dopilnować, aby systemy te były podłączone i właściwie stosowane.** Używanie systemów służących do pochłaniania pyłu może zmniejszyć zagrożenia związane z pyłem.
- h) **Nie wolno dopuścić do tego, aby poczucie znajomości narzędzia wynikające z jego częstego używania doprowadziło do lekceważenia i ignorowania zasad bezpieczeństwa.** Jedno lekkomyślne działanie może w ułamku sekundy doprowadzić do ciężkich urazów.
- 4) UŻYWANIE I KONSERWOWANIE ELEKTRONARZĘDZI**
- a) **Elektronarzędzia nie należy forsować. Należy używać narzędzia dostosowanego do wykonywanej pracy.** Odpowiednie narzędzie elektryczne wykona pracę lepiej i bezpieczniej, gdy pozwoli mu się pracować z prędkością/obrotami do jakich zostało zaprojektowane.
- b) **Nie należy używać elektronarzędzia, jeżeli przełącznik zasilania nie włącza go lub nie wyłącza.** Elektronarzędzie, którego nie da się kontrolować przełącznikiem, jest potencjalnie niebezpieczne i wymaga naprawy.
- c) **Przed przystąpieniem do regulacji elektronarzędzia oraz przed wymianą akcesoriów lub odłożeniem narzędzia na miejsce, należy odłączyć je od zasilania i/lub wyjąć akumulator.** Tego typu zapobiegawcze środki ostrożności zmniejszają ryzyko przypadkowego włączenia się elektronarzędzia.
- d) **Nieużywane elektronarzędzia należy przechowywać w miejscu niedostępnym dla dzieci. Osobom, które nie znają narzędzia lub nie zapoznają się z instrukcją nie należy pozwalać go używać.** W rękach nieprzeszkolonych użytkowników elektronarzędzia mogą stanowić zagrożenie.
- e) **Elektronarzędzia i akcesoria należy utrzymywać w dobrym stanie. Należy kontrolować, czy części**
- ruchome nie są odchylone od osi, nie zacinają się i nie są pęknięte lub uszkodzone w inny sposób, który mógłby wpłynąć na działanie elektronarzędzia.** W razie uszkodzenia, przed użyciem narzędzie należy oddać do naprawy. Wiele wypadków wynika ze złej konserwacji elektronarzędzi.
- f) **Należy dbać o czystość i naostrzenie narzędzi tnących.** Odpowiednio utrzymane narzędzia tnące z ostrymi krawędziami tnącymi są mniej narażone na zakleszczanie się i łatwiej jest je kontrolować.
- g) **Elektronarzędzi, akcesoriów, wiertel, bitów, itp. należy używać zgodnie z niniejszą instrukcją, z uwzględnieniem warunków i rodzaju wykonywanej pracy.** Korzystanie z elektronarzędzi niezgodnie z przeznaczeniem może prowadzić do niebezpiecznych sytuacji.
- h) **Należy dbać o to, aby uchwyty i powierchnie do trzymania były suche, czyste i niezaplamione olejem lub smarem.** Śliskie uchwyty nie pozwalają w bezpieczny sposób kontrolować narzędzia w nieprzewidzianych sytuacjach.
- 5) UŻYWANIE I KONSERWOWANIE NARZĘDZI AKUMULATOROWYCH**
- a) **Do ładowania należy używać wyłącznie ładowarki wskazanej przez producenta.** Użycie ładowarki pochodzącej od jednego akumulatora do ładowania innego akumulatora grozi pożarem.
- b) **Elektronarzędzi należy używać wyłącznie z dedykowanymi do nich akumulatorami.** Użycie jakichkolwiek innych akumulatorów grozi obrażeniami i pożarem.
- c) **Jeżeli akumulator nie jest używany, należy go przechowywać z dala od innych przedmiotów metalowych, np. spinaczy, monet, kluczy, gwoździ, śrub i innych drobnych przedmiotów metalowych, które mogłyby spowodować zwarcie wyprowadzeń akumulatora.** Zwarcie wyprowadzeń akumulatora może doprowadzić do oparzeń lub pożaru.
- d) **W niesprzyjających warunkach może dojść do wycieku cieczy z akumulatora. Należy wtedy unikać wszelkiego kontaktu z tą cieczą. W razie przypadkowego kontaktu ze skórą, zabrudzone miejsce należy obficie przemyć wodą. Jeżeli płyn dostanie się do oczu, należy dodatkowo zasięgnąć porady lekarza.** Płyn wyciekający z akumulatora może powodować podrażnienie lub oparzenia.
- e) **Nie należy używać akumulatorów lub narzędzi, które są uszkodzone lub zostały poddane przeróbkom.** Uszkodzone lub zmodyfikowane akumulatory mogą zachowywać się w sposób nieprzewidywalny, co może doprowadzić do pożaru lub wybuchu lub stwarzać ryzyko urazów.
- f) **Nie należy narażać akumulatora lub narzędzia na kontakt z ogniem lub zbyt wysokimi temperaturami.** Ogień lub temperatury przekraczające 130°C mogą doprowadzić do wybuchu.
- g) **Należy przestrzegać wszystkich instrukcji ładowania. Nie należy ładować akumulatora lub narzędzia poza przedziałem temperatur podanym w instrukcji.** Ładowanie w sposób nieprawidłowy lub w temperaturze wykraczającej poza określony zakres może doprowadzić do uszkodzenia akumulatora i zwiększa ryzyko pożaru.

## 6) SERWISOWANIE

- a) **Serwisowanie elektronarzędzia należy powierzać wykwalifikowanemu serwisantowi, a do naprawy używać wyłącznie części zamiennych identycznych z oryginalnymi.** Zapewni to bezpieczeństwo eksploatacji elektronarzędzia.
- b) **Uszkodzonych akumulatorów nie należy nigdy naprawiać.** Jakiegokolwiek czynności serwisowe przy akumulatorach powinny być wykonywane wyłącznie przez producenta lub pracowników autoryzowanego serwisu.

## OSTRZEŻENIA DOTYCZĄCE BEZPIECZEŃSTWA UŻYWANIA AKUMULATOROWYCH PIŁ TARCZOWYCH

### 1) PROCEDURY CIĘCIA

- a) **⚠ NIEBEZPIECZEŃSTWO: Ręce należy trzymać z dala od strefy cięcia i tarczy. Drugą rękę należy trzymać na uchwycie pomocniczym lub obudowie silnika.** Jeżeli piła jest trzymana oburącz, nie ma niebezpieczeństwa, że tarcza dotknie dłoni.
  - b) **Nie wolno sięgać pod przecinany element.** Osłona nie zabezpiecza użytkownika przed tarczą pod przecinany elementem.
  - c) **Głębokość cięcia należy dostosować do grubości przecinanego elementu.** Pod przecinany element powinno być widać nie więcej niż cały ząb tarczy.
  - d) **Nigdy nie należy trzymać przecinanego elementu w ręku lub na kolanie. Przecinany element należy zamocować na stabilnej podstawie.** Ważne jest, aby przecinany element odpowiednio podeprzeć w taki sposób, aby do minimum ograniczyć zagrożenie dla użytkownika i ryzyko zakleszczenia tarczy lub utraty kontroli.
  - e) **Podczas prac, przy których elektronarzędzie mogłoby natrafić na ukryte przewody elektryczne lub na własny przewód, należy je trzymać tylko za izolowaną rękkojeść** (pod wpływem kontaktu z przewodami będącymi pod napięciem, wszystkie części metalowe elektronarzędzia znajdują się również pod napięciem i mogą spowodować porażenie prądem osoby obsługującej).
  - f) **Podczas cięcia wzdłuż słojów należy zawsze używać ogranicznika lub prowadnicy z prostą krawędzią.** Zwiększy to precyzję cięcia i zmniejszy możliwość zakleszczenia się tarczy.
  - g) **Należy zawsze używać tarcz odpowiednich pod względem wielkości i kształtu otworu (rombowe lub okrągłe).** Tarcze, które nie pasują do osprzętu mocującego piłę, będą pracowały niecentrycznie, co grozi utratą kontroli nad narzędziem.
  - h) **Nigdy nie należy używać uszkodzonych lub niewłaściwych podkładek do tarcz lub śrub.** Podkładki pod tarczę i śruby zostały specjalnie zaprojektowane do zakupionej piły tak, aby gwarantowały optymalną pracę i maksymalne bezpieczeństwo użytkownika.
- ### 2) PRZYZYNY ODBIJANIA I ZWIĄZANE Z TYM OSTRZEŻENIA
- Odbicie jest nagłą reakcją tarczy tnącej na zablokowanie, zakleszczenie się lub skrzywienie, powodującą niekontrolowane wysunięcie się piły poza obrabiany element w górę w stronę operatora.

- Gdy tarcza tnąca zakleszczy się lub zablokuje w zamykającym się nacięciu drewnianego elementu, tarcza zatrzymuje się, a reakcja silnika powoduje, że całe urządzenie gwałtownie odskakuje w stronę operatora.
  - Jeżeli tarcza w nacięciu skrzywi się lub odchyli od osi, zęby na tylnej krawędzi tarczy mogą wbić się w górną powierzchnię drewna, powodując wysunięcie się tarczy z nacięcia i odskok w kierunku operatora.
  - Odbicie jest efektem niewłaściwego użycia i/lub sposobu posługiwania się elektronarzędziem, bądź też wystąpienia warunków, których można uniknąć, o ile podjęte zostaną odpowiednie, podane poniżej, środki zapobiegawcze:
- a) **Piłę należy zawsze pewnie trzymać oburącz. Należy się zapierać ramionami w taki sposób, aby móc zamortyzować siły odbicia. Należy się ustawić po dowolnej stronie tarczy, ale nie na wyznaczanej przez nią linii cięcia.** Odbicie może spowodować, że piła odskoczy do tyłu, jednak podejmując odpowiednie środki ostrożności operator jest w stanie zachować kontrolę.
  - b) **Gdy tarcza zaklinuje się lub gdy z jakiegoś powodu cięcie zostanie przerwane, należy zwolnić przełącznik spustowy i przytrzymać piłę nieruchomo w przecinanym materiale aż do całkowitego zatrzymania się tarczy. Nigdy nie należy próbować wyjmować piły z przecinanego elementu lub ciągnąć piły do tyłu, gdy tarcza jeszcze się porusza – grozi to odbiciem.** Należy sprawdzić, dlaczego tarcza się zablokowała i podjąć stosowne działania, tak aby usunąć przyczynę zakleszczenia. Należy unikać przecinania gwoździ lub śrub.
  - c) **Przy ponownym włączeniu piły włożonej w nacięcie w przecinany element tarczę należy ustawić centralnie w nacięciu; należy upewnić się, że zęby piły nie klinują się w przecinany materiał.** Jeżeli tarcza tnąca klinuje się, przy ponownym włączeniu może ona podskoczyć do góry i szarpnąć w tył.
  - d) **Podczas piłowania dużych płyt, aby zminimalizować ryzyko zakleszczenia lub odbicia tarczy, należy je podeprzeć.** Duże płyty często uginają się pod swoim własnym ciężarem. Podpory należy umieścić pod płytą z obu stron, obok linii cięcia i w pobliżu krawędzi płyty.
  - e) **Nie należy używać tępych lub uszkodzonych tarcz.** Nienaostrzone lub niewłaściwie osadzone tarcze tworzą wąskie nacięcia, co skutkuje nadmiernym tarciem, zakleszczaniem się tarczy i odbijaniem.
  - f) **Przed przystąpieniem do cięcia dźwignie regulacji głębokości ustawienia tarczy i jej nachylenia muszą być solidnie dociśnięte i dokręcone.** Przesunięcie się ustawień tarczy w trakcie piłowania może spowodować zaklinowanie się tarczy lub odbicie.
  - g) **Szczególłą uwagę należy zachować podczas wykonywania „wcięć wgłębnych” w ścianach lub innych powierzchniach dostępnych tylko z jednej strony.** Wystająca część tarczy może natrafić na przedmioty powodujące odbicie.
- ### 3) DZIAŁANIE OSŁONY DOLNEJ
- a) **Przed każdym użyciem należy sprawdzić poprawne zamykanie się osłony dolnej. Nie należy włączać piły, jeżeli osłona dolna nie porusza się swobodnie i nie zamyka się natychmiast. Osłony dolnej nigdy nie należy zaciskać lub podwiązywać w pozycji**

otwartej. Jeżeli piła zostanie przypadkowo upuszczona na ziemię, osłona dolna może się skrzywić. Osłonę dolną należy pociągnąć za uchwyt i odchylić, aby upewnić się, że porusza się ona swobodnie i nie dotyka tarczy ani żadnych innych części, pod żadnym kątem i niezależnie od głębokości cięcia.

- b) **Przed użyciem należy sprawdzić działanie sprężyny dolnej osłony. Jeżeli osłona i sprężyna nie działają właściwie, przed użyciem należy je koniecznie naprawić.** Osłona dolna może poruszać się ciężiej i z oporami pod wpływem uszkodzenia części, lepkich osadów lub nagromadzenia się zanieczyszczeń.
- c) **Osłonę dolną należy odchyłać ręcznie tylko w celu wykonania specjalnych cięć takich jak cięcia wgłębne i złożone. Aby odchylić osłonę dolną, należy pociągnąć za uchwyt na osłonie tarczy. Gdy tylko tarcza zagłębi się w materiale, osłonę dolną należy puścić.** We wszystkich pozostałych sytuacjach osłona dolna powinna pracować automatycznie.
- d) **Przed odłożeniem piły na podłogę lub na stole warsztatowym, należy zawsze dopilnować, aby osłona dolna zakrywała tarczę.** Niezabezpieczona tarcza poruszająca się siłą rozpędu spowoduje, że piła odskoczy do tyłu, przecinając wszystko na co natrafi. Należy mieć świadomość czasu, jaki jest konieczny do zatrzymania się tarczy od momentu puszczenia wyłącznika.

## DODATKOWE OSTRZEŻENIA DOTYCZĄCE BEZPIECZEŃSTWA

### KWESTIE OGÓLNE

- Narzędzia nie powinny używać osoby w wieku poniżej 16 roku życia
- To narzędzie nie nadaje się do cięcia na mokro
- Nie należy obrabiać materiału zawierającego azbest** (azbest jest rakotwórczy)
- Pył pochodzący z takich materiałów, jak farby zawierające ołów, niektóre gatunki drzewa, minerały i metal może być szkodliwy (kontakt z nim lub wdychanie takiego pyłu może powodować reakcje alergiczne i/lub niewydolność oddechową u operatora lub osób towarzyszących); **należy zakładać maskę przeciwpyłową i pracować z urządzeniem odsysającym, o ile można je podłączyć**
- Niektóre rodzaje pyłu są zaklasyfikowane jako rakotwórcze (takie, jak pył dębu i buka) szczególnie w połączeniu z dodatkami do kondycjonowania drewna; **należy zakładać maskę przeciwpyłową i pracować z urządzeniem odsysającym pył, o ile tylko można je podłączyć**
- Należy stosować się do krajowych wymogów w sprawie pyłu z materiałów, w których użytkownik zamierza pracować
- Tej piły nie należy używać w połączeniu ze stołem do pitowania
- Przed dokonaniem jakiegokolwiek regulacji lub zmiany akcesoriów należy wyjąć z narzędzia akumulator

### AKCESORIA

- Firma SKIL może zagwarantować bezawaryjne działanie narzędzia tylko pod warunkiem korzystania z oryginalnych akcesoriów
- Należy używać wyłącznie tarcz tnących, których parametry są zgodne z podanymi w niniejszej instrukcji

obsługi oraz które zostały przetestowane i oznakowane zgodnie z wymaganiami normy EN 847-1.

- Należy używać tylko akcesoriów, których dopuszczalna prędkość pracy jest co najmniej tak wysoka jak maksymalna prędkość urządzenia bez obciążenia
- Należy używać wyłącznie tarcz tnących o średnicy co najmniej 184 mm i maksymalnie 184 mm oraz o otworze na wrzeciono o średnicy 16 mm
- Nigdy nie należy używać tarcz wykonanych ze stali sztywnotnącej (HSS)
- W tym narzędziu nigdy nie należy używać tarczy ściernych/tnących

### PRZED UŻYCIEM

- Należy unikać uszkodzeń, jakie mogą być spowodowane śrubami, gwóźdźmi i innymi elementami znajdującymi się w obrabianym przedmiocie; przed rozpoczęciem pracy należy je usunąć
- Przed rozpoczęciem cięcia należy usunąć wszystkie przeszkody u góry oraz pod linią cięcia
- Obrabiany element należy zamocować** (element umieszczony w zaciskach lub imadle jest utrzymywany bezpiecznie niż w ręku)
- Aby wykryć ukryte przewody zasilające należy używać stosownych detektorów lub porozumieć się z miejscowym zakładem energetycznym** (kontakt z przewodami elektrycznymi może doprowadzić do pożaru i porażenia prądem; uszkodzenie przewodu gazowego może doprowadzić do wybuchu; uszkodzenie przewodów instalacji wodociągowej powoduje szkody rzeczowe i może spowodować porażenie prądem)

### PODZAS UŻYWANIA

- Poziom hałas podczas pracy może przekraczać 85 dB(A); do ochrony słuchu należy używać nasuszników
- Elektronarzędzia można używać wyłącznie z zamontowanymi wszystkimi urządzeniami służącymi bezpieczeństwu użytkownika
- Nie wolno przecinać przedmiotów zbyt małych
- Nie wolno pracować elektronarzędziem ponad głowę
- W przypadku zablokowania się lub usterki elektrycznej lub mechanicznej należy natychmiast wyłączyć narzędzie i wyjąć z niego akumulator.

### PO UŻYCIU

- Przed odłożeniem narzędzia należy wyłączyć silnik i odczekać do całkowitego zatrzymania się wszystkich części
- Po wyłączeniu silnika, nigdy nie należy wyhamowywać tarczy tnącej przez dociskanie jej po boku

### AKUMULATORY

- Dostarczany akumulator jest częściowo naładowany** (aby zapewnić pełne naładowanie akumulatora, przed użyciem elektronarzędzia po raz pierwszy akumulator należy całkowicie naładować ładowarką)
- Do narzędzia należy stosować wyłącznie niższe akumulatory i ładowarki**
  - Akumulator SKIL: BR1\*31\*\*\*\*
  - Ładowarka SKIL: CR1\*31\*\*\*\*
- Uszkodzony akumulator należy wymienić; nie należy używać go do pracy
- Zabrania się rozmontowywania akumulatora
- Narzędzie/akumulator należy chronić przed deszczem
- Dopuszczalna temperatura otoczenia (narzędzie/ładowarka/akumulator):
  - podczas ładowania 4...40°C
  - podczas pracy -20...+50°C
  - podczas przechowywania -20...+50°C



## OBJAŚNIENIE SYMBOLI NA NARZĘDZIU/ AKUMULATORZE

- ③ Przed użyciem należy przeczytać instrukcję
- ④ Akumulatory w kontakcie z ogniem mogą eksplodować, więc nie wolno ich pod żadnym pozorem spalać
- ⑤ Narzędzie/ładowarkę/akumulator należy zawsze przechowywać w miejscach o temperaturze nie przekraczającej 50°C
- ⑥ Narzędzia elektrycznych oraz baterii/akumulatorów nie należy wyrzucać razem ze zwykłymi śmieciami z gospodarstw domowych

## UŻYTKOWANIE

- Ładowanie akumulatora
  - ! **prosimy przeczytać ostrzeżenia dotyczące bezpieczeństwa oraz instrukcje dostarczone wraz z ładowarką**
- Wyjmowanie/zakładanie akumulatora ②
- Instalacja ostrza tnącego ②
  - ! **z narzędzia należy wyjąć akumulator**
  - ze schowka B wyjąć klucz imbusowy A
  - nacisnąć przycisk blokady wrzeciona C i przytrzymać w tym położeniu podczas wykręcania śruby mocującej tarczę D, przekręcając klucz imbusowy A W LEWO (PRZECIWNIE DO KIERUNKU RUCHU WSKAZÓWEK ZEGARA = kierunek wskazywany przez strzałkę znajdującą się na pile tarczowej)
  - ! **przycisk blokady wrzeciona C wolno naciskać tylko wtedy, gdy tarcza piły jest nieruchoma**
  - puścić przycisk blokady wrzeciona C
  - zdjąć kołnierz E
  - ! **należy upewnić się, że powierzchnie zaciskowe H kołnierzy są idealnie czyste i zwrócone w stronę tarczy**
  - za pomocą dźwigni G odchylić osłonę dolną F i przytrzymać na czas montażu tarczy tnącej; zęby tarczy i strzałka nadrukowana na tarczy muszą wskazywać ten sam kierunek co strzałka na osłonie dolnej
  - puścić osłonę dolną F
  - kołnierz montażowy E
  - nacisnąć przycisk blokady wrzeciona C i przytrzymać go podczas dokręcania śruby mocującej tarczę kluczem imbusowym o 1/8 obrotu ponad siłę dokręcenia palcami (zapewnia to poślizg tarczy po napotkaniu zbyt dużego oporu cięcia, a tym samym pozwala uniknąć przecięcia silnika i wstecznego odrzutu narzędzia)
  - puścić przycisk blokady wrzeciona C
- Regulacja głębokości cięcia (0-66 mm) ⑦
  - w celu zapewnienia optymalnej jakości cięcia tarcza tnąca nie powinna wystawać poniżej dolnej powierzchni przedmiotu o więcej niż 3 mm
  - poluzować pokrętko J
  - korzystając ze wskaźnika L, unieść/opuścić stopę K na żadaną głębokość cięcia na skali
  - dokręcić pokrętko J
- Wskaźnik poziomu naładowania akumulatora ⑧
  - W celu wyświetlenia aktualnego poziomu naładowania należy nacisnąć przycisk wskaźnika poziomu naładowania akumulatora AC ⑧a
  - ! **gdy po wciśnięciu przycisku AC ⑧b najniższy wskaźnik poziomu naładowania akumulatora**

**zaczyna migać, wówczas oznacza to, że akumulator jest rozładowany**

**! gdy po wciśnięciu przycisku AC ⑧c migają 2 wskaźniki poziomu naładowania akumulatora, wówczas oznacza to, że temperatura akumulatora nie mieści się w dozwolonym przedziale temperatury pracy**

- Lampka LED ⑫ V
  - Po wciśnięciu włącznika, lampka LED zapala się automatycznie
  - ! **miganie lampki LED oznacza, że włączył się system ochrony akumulatora (patrz poniżej)**
- System ochrony akumulatora
  - Narzędzie nagle wyłącza się lub nie można go włączyć, gdy
    - obciążenie jest zbyt duże -> należy usunąć obciążenie i włączyć narzędzie ponownie
    - temperatura akumulatora jest poza dopuszczalnym zakresem wynoszącym od -20 do +50°C --> po naciśnięciu przycisku AC ⑧c na wskaźniku zaczął migać 2 paski poziomu energii akumulatora; należy poczekać, aż temperatura akumulatora powróci do dopuszczalnego zakresu
    - akumulator jest prawie całkowicie wyczerpany (zabezpieczenie przed głębokim rozładowaniem) --> naciśnięcie przycisku AC powoduje wyświetlenie na wskaźniku niskiego poziomu akumulatora lub miganie paska niskiego poziomu akumulatora ⑧b; należy naładować akumulator
  - ! **po automatycznym wyłączeniu narzędzia nie należy naciskać włącznika („wt./wyt.”), ponieważ może to spowodować uszkodzenie akumulatora**
- Regulacja kąta cięcia (0-56°) ⑨
  - poluzować dźwignię M
  - korzystając ze wskaźnika N, przechylić narzędzie na żądany kąt cięcia na skali
  - ograniczenie nachylenia o 45° P umożliwia szybkie ustawienie kąta nachylenia 45°
  - aby ustawić kąt nachylenia większy niż 45°, należy obrócić ogranicznik nachylenia o 45° P, aby wyjąć go ze wskaźnika N
  - dokręcić dźwignię M
  - ! **w przypadku nieprostego ustawienia piły głębokość cięcia wskaźnika („wt./wyt.”), ponieważ nie odpowiada rzeczywistej głębokości**
- Wskaźnik linii cięcia Q ⑩
  - służy do prowadzenia narzędzia wzdłuż żądanej linii cięcia zaznaczonej na przecinającym przedmiocie
  - przy cięciu prostopadłym pod kątem 0° lub z nachyleniem pod kątem 45° należy korzystać z odpowiednich linii wskazujących
  - ! **szersza strona płyty podstawy powinna przylegać do wspartej części obrabianego przedmiotu**
  - ! **szerokość linii cięcia wyznacza nie grubość piły tarczowej, lecz grubość jej zębów**
  - ! **w celu sprawdzenia poprawności ustawienia należy wykonać cięcie próbne**
- Odsysanie pyłu ⑪
  - Za pomocą śruby z głowicą krzyżakową zamocować do piły adapter do odkurzacza R
  - Do korzystania z odkurzacza
    - podłączyć wąż odkurzacza do adaptera do odkurzacza R



**! należy uważać, aby wąż odkurzacza nigdy nie blokował swobody ruchu osłony i nie utrudniał prowadzenia piły**

Worek na pył

- zamontować worek na kurz AD

• Obsługa narzędzia

- zamontować akumulator

- jedną ręką mocno chwycić uchwyt S, a drugą mocno chwycić uchwyt T

- położyć narzędzie przednim końcem stopy na płasko na elemencie

**! należy się upewnić czy zęby piły nie stykają się już z przecinanym elementem**

- aby włączyć narzędzie, należy najpierw wcisnąć wyłącznik bezpieczeństwa W, a następnie pociągnąć za spust X

**! narzędzie należy przystawiać do przecinanego elementu dopiero po osiągnięciu przez nie pełnej prędkości**

- osłona dolna F otwierana jest automatycznie w momencie zbliżenia tarczy tnącej do przecinanego przedmiotu (osłonę można odchylić ręcznie dźwignią G tylko w przypadku wykonywania cięć specjalnych takich jak cięcia wgłębne)

**! narzędzia nie wolno przeciążać (należy je dociskać lekko i miarowo, co pozwoli uniknąć przegrzania końcówek tarczy)**

- po zakończeniu cięcia wyłączyć narzędzie puszczając spust Y

**! przed podniesieniem narzędzia z przecinanego elementu należy się upewnić, że ostrze całkowicie się zatrzymało**

## WSKAZÓWKI DOTYCZĄCE UŻYTKOWANIA

- Aby ograniczyć do minimum strzępienie się materiału, eksponowaną stronę piłowanego elementu należy zawsze kłaść do dołu
- Należy używać wyłącznie ostrych tarcz tnących właściwego typu ⑬
  - jakość cięcia poprawia się wraz ze wzrostem liczby zębów
  - tarcze z zębami z węglików spiekanych mają około 30-to krotnie większą żywotność w porównaniu do tarcz zwykłego typu
- Cięcia poprzecznie/równoległe do stojów ⑭
  - Dzięki prowadnicy równoległej Z, cięcia poprzecznie lub równoległe do stojów są łatwe do wykonania.
  - wyrównać prowadnicę do wskaźnika linii cięcia 0° Q na stopie
  - przełożyć prowadnicę równoległą Z przez szczeliny po obu stronach stopy na żądanej szerokości i zablokować pokrętkiem AA
- ! ogranicznik równoległy nie może zakłócać swobodnego ruchu osłony dolnej i tarczy tnącej**
- Cięcia wgłębne ⑮
  - ustawić żądaną głębokość cięcia
  - przechylić narzędzie do przodu, tak aby wskaźnik linii cięcia Q był skierowany na naniesioną na przecinanym elemencie linię
  - za pomocą dźwigni G odchylić osłonę dolną F
  - bezpośrednio przed zagłębieniem tarczy uruchomić

elektronarzędzie, przechylając pilarkę wzdłuż przedniej krawędzi podstawy opuścić wolno tylną część elektronarzędzia

- stopniowo przesunąć narzędzie w dół i do przodu
- gdy tarcza zagłębi się w materiał, natychmiast puścić dźwignię G

**! nigdy nie wolno prowadzić narzędzia do tyłu**

• Cięcia większych płyt ⑯

- przecinany element należy podeprzeć blisko miejsca cięcia na podłodze, stole lub stole warsztatowym

**! głębokość cięcia należy ustawić w taki sposób, aby przecinać tylko płytę a nie przedmioty wspierające znajdujące się poniżej**

- w przypadku gdy prowadnica równoległa nie daje możliwości cięcia w dużej odległości, należy przytwierdzić dodatkową listwę do powierzchni płyty i prowadzić elektronarzędzie lewą stroną wzdłuż listwy ⑰

• Cięcia z szyną prowadzącą ⑱ \* ELEMENT NIEDOSTĘPNY W STANDARDZIE

Zastosowanie szyny prowadzącej umożliwia precyzyjne i dokładne cięcia w linii prostej zarówno pod kątem 0°, jak i 45°.

Przed wykonaniem pierwszego cięcia z użyciem szyny prowadzącej, gumową nakładkę należy dopasować do używanej piły tarczowej.

- w przypadku cięcia prostego pod kątem 0°, należy wyrównać stronę nachylenia 0° szyny AE (lub stronę nachylenia 45° podczas wykonywania cięcia pod kątem 45°) do zamierzonej linii cięcia zaznaczonej na przecinanym elemencie
- za pomocą zacisków szyny prowadzącej AF mocno zablokować szynę prowadzącą AE na przecinanym elemencie ⑲\*ELEMENT NIEDOSTĘPNY W STANDARDZIE

- wsunąć piłę na szynę AE i aby zminimalizować odstęp między szczeliną w stopie a wypukłym zębem na szynie AE, przekręcić pokrętkę regulacji szczeliny prowadzącej U w prawo (zgodnie z kierunkiem ruchu wskazówek zegara); upewnić się, że piła może swobodnie przesunąć się po szynie bez kotłowania się na boki.

- podczas ustawiania głębokości cięcia należy pamiętać o tym, aby uwzględnić grubość szyny prowadzącej AE

- powoli i miarowo przesunąć piłę aż za koniec szyny

• Więcej informacji znaleźć można na stronie [www.skil.com](http://www.skil.com)


## KONSERWACJA / SERWIS

- Narzędzie nie jest przeznaczone do zastosowań profesjonalnych
- Należy zawsze dbać o czystość narzędzia!  
**! przed rozpoczęciem czyszczenia wyjąć akumulator z narzędzia**
- Strefa wokół osłony dolnej F ⑳ musi być zawsze czysta (kurz i wióry należy usuwać sprężonym powietrzem lub pędzlem)
- Tarczę tnącą należy czyścić natychmiast po użyciu (zwłaszcza z żywicy i kleju)
- Jeśli narzędzie, mimo dokładnej i wszechstronnej kontroli produkcyjnej ulegnie kiedykolwiek awarii, naprawę powinien przeprowadzić autoryzowany serwis elektronarzędzi firmy SKIL

- **ниerozebrane** narzędzie należy odesłać, wraz z dowodem zakupu, do swojego sprzedawcy lub do najbliższego punktu serwisowego SKIL (adresy oraz schemat serwisowy narzędzia są podane na stronie [www.skil.com](http://www.skil.com))
- Prosimy pamiętać, że uszkodzenia spowodowane przeciążeniem lub niewłaściwym użytkowaniem narzędzia nie podlegają gwarancji (warunki gwarancji SKIL znajdują się na [www.skil.com](http://www.skil.com), ewentualnie można też zapytać swojego dystrybutora)

## ŚRODOWISKO

Tylko dla krajów UE

- Elektronarzędzi, akcesoriów i opakowania nie należy wyrzucać do odpadów zmieszanych
- zgodnie z Europejską Dyrektywą 2012/19/WE w sprawie zużytego sprzętu elektrotechnicznego i elektronicznego oraz dostosowaniem jej do prawa krajowego, zużyte elektronarzędzia należy posegregować i zutylizować w sposób przyjazny dla środowiska
- w przypadku potrzeby pozbycia się narzędzia, akcesoriów i opakowania – przypomni Ci o tym symbol 
- ! **aby nie dopuścić do zwarcia, przed utylizacją należy zabezpieczyć wyprowadzenia akumulatora grubą taśmą**

## HAŁAS / WIBRACJE

- Poziom ciśnienia akustycznego tego narzędzia zmierzony zgodnie z normą EN 62841 wynosi 91 dB(A) a poziom mocy akustycznej - 102 dB(A) (niepewność K = 3 dB), drgania \* (sumy wektorowe przyspieszeń mierzone czujnikiem triax; niepewność K = 1,5 m/s<sup>2</sup>) \* cięcie drewna < 2,5 m/s<sup>2</sup>
- Poziom emisji drgań został zmierzony zgodnie z testem standaryzowanym podanym w EN 62841; może służyć do porównania jednego narzędzia z innym i jako ocena wstępna narażenia na wibracje w trakcie używania narzędzia do wymienionych zadań
- używanie narzędzia do innych zastosowań, lub z innymi albo źle utrzymanymi akcesoriami, może znacząco **zwiększyć** poziom ekspozycji
- przypadki, kiedy narzędzie jest wyłączone lub pracuje, ale aktualnie nie wykonuje zadania, mogą znacząco **zmniejszyć** poziom narażenia
- ! **należy chronić się przed skutkami wibracji przez konserwację narzędzia i jego akcesoriów, dbanie o ciepło dłoni i właściwą organizację pracy**

RU

## Бесщеточная аккумуляторная 3571 циркулярная пила

предусмотренные изготовителем для продукции, могут входить настоящее руководство по эксплуатации, а также приложения.

Информация о подтверждении соответствия содержится в приложении.

**Срок службы изделия**

Срок службы изделия составляет 7 лет. Не рекомендуется к эксплуатации по истечении 5 лет хранения с даты изготовления без предварительной проверки (дату изготовления см. на этикетке).

### Перечень критических отказов и ошибочные действия персонала или пользователя

- не использовать с поврежденной рукояткой или поврежденным защитным кожухом
- не использовать при появлении дыма непосредственно из корпуса изделия
- не использовать с перебитым или оголенным электрическим кабелем
- не использовать на открытом пространстве во время дождя (в распыляемой воде)
- не включать при попадании воды в корпус
- не использовать при сильном искрении
- не использовать при появлении сильной вибрации

### Критерии предельных состояний

- перетёрт или повреждён электрический кабель
- повреждён корпус изделия

### Тип и периодичность технического обслуживания

Рекомендуется очистить инструмент от пыли после каждого использования.

### Хранение

- необходимо хранить в сухом месте
- необходимо хранить вдали от источников повышенных температур и воздействия солнечных лучей
- при хранении необходимо избегать резкого перепада температур
- хранение без упаковки не допускается
- подробные требования к условиям хранения смотрите в ГОСТ 15150 (Условие 1)

### Транспортировка

- категорически не допускается падение и любые механические воздействия на упаковку при транспортировке
- при разгрузке/погрузке не допускается использование любого вида техники, работающей по принципу зажима упаковок
- подробные требования к условиям транспортировки смотрите в ГОСТ 15150 (Условие 5)

### ВНИМАНИЕ!

**В случае возникновения перебоя в работе электроинструмента вследствие полного или частичного прекращения энергоснабжения или повреждения цепи управления энергоснабжением установите выключатель в положение Выкл., убедившись, что он не заблокирован (при его наличии) и отключите сетевую вилку от розетки или отсоедините съёмный аккумулятор (этим предотвращается неконтролируемый повторный запуск)**

## ВВЕДЕНИЕ

- Этот инструмент предназначен для продольной и поперечной резки древесины прямыми пропилами, а также резами под углом до 56°.
- Этот инструмент не предназначен для профессионального использования.
- Изучите и сохраните данное руководство по

эксплуатации ③.

## ТЕХНИЧЕСКИЕ ХАРАКТЕРИСТИКИ ①

### СТРАНА ИЗГОТОВЛЕНИЯ

Сделано в Китае

### КОМПОНЕНТЫ УСТРОЙСТВА ②

- A Шестигранный ключ
  - B Отделение для шестигранного ключа
  - C Кнопка блокировки шпинделя
  - D Болт режущего элемента
  - E Фланец
  - F Нижний щиток
  - G Ручка для открытия нижнего щитка
  - H Зажимная поверхность
  - J Ручка установки глубины резки
  - K Основание
  - L Индикатор глубины пропила
  - M Рычаг для регулировки угла резания
  - N Индикатор угла пропила
  - P Стопор наклона под углом 45°
  - Q Указатель линии пропила
  - R Адаптер для пылесоса
  - S Задняя рукоятка
  - T Передняя рукоятка
  - U Ручки для регулировки направляющего паза
  - V Светодиодная подсветка
  - W Предохранительный выключатель
  - X Направляющее отверстие
  - Y Курковый переключатель
  - Z Параллельная направляющая
  - AA Фиксатор для регулировки параллельной направляющей
  - AB АКрюк
  - AC Индикатор уровня заряда
  - AD Пылесборник\*
  - AE Направляющая\*
  - AF Зажим направляющей\*
- \* В СТАНДАРТНЫЙ КОМПЛЕКТ НЕ ВХОДИТ

## БЕЗОПАСНОСТЬ

### ОБЩИЕ ПРАВИЛА ТЕХНИКИ БЕЗОПАСНОСТИ ПРИ РАБОТЕ С ЭЛЕКТРОИНСТРУМЕНТАМИ

**⚠ ПРЕДУПРЕЖДЕНИЕ.** Прочитайте все правила безопасности, инструкции, иллюстрации и спецификации, прилагаемые к этому электроинструменту. Невыполнение изложенных ниже инструкций может привести к поражению электрическим током, пожару и (или) тяжелым травмам.

**Сохраните все предупреждения и инструкции для использования в будущем.**

Термин «электроинструмент» в предупреждениях означает электрический инструмент с питанием от сети (с кабелем) или электрический инструмент с питанием от аккумулятора (без кабеля).

- 1) **БЕЗОПАСНОСТЬ РАБОЧЕГО МЕСТА**
  - a) **Обеспечьте чистоту и освещенность рабочего места.** Загроможденные и плохо освещенные места служат причиной несчастных случаев.
  - b) **Не используйте электроинструменты во взрывоопасных местах, например вблизи горючих жидкостей, газов или пыли.** Электроинструменты генерируют искры, которые могут воспламенить пыль или испарения.
  - c) **Не позволяйте детям и посторонним находиться вблизи работающего электроинструмента.** Отвлекающие факторы могут привести к потере контроля.
- 2) **ЭЛЕКТРОТЕХНИЧЕСКАЯ БЕЗОПАСНОСТЬ**
  - a) **Вилка электроинструмента должна соответствовать розетке. Никогда не переделяйте вилку. Не используйте никакие переходники для вилок электроинструментов с заземлением.** Использование оригинальных вилок и соответствующих им розеток уменьшает риск поражения электрическим током. **Избегайте прикосновений к заземленным объектам, таким как трубы, радиаторы, плиты и холодильники.** Риск поражения электрическим током выше, когда тело заземлено.
  - b) **Не подвергайте электроинструменты воздействию дождя или влаги.** При попадании воды в электроинструмент увеличивается риск поражения электрическим током.
  - c) **Обращайтесь с кабелем аккуратно. Никогда не переносите, не тяните и не выключайте электроинструмент за кабель. Держите кабель подальше от источников тепла, масла, острых предметов и движущихся частей.** Поврежденные и запутанные кабели повышают риск поражения электрическим током.
  - d) **Для работы с электроинструментом вне помещения используйте предназначенный для этого удлинительный кабель.** Использование кабеля, подходящего для использования вне помещения, снижает риск поражения электрическим током.
  - e) **Если использование электроинструмента в сыром помещении неизбежно, подключайте его через устройство защитного отключения (УЗО).** Использование УЗО снижает риск поражения электрическим током.
- 3) **ЛИЧНАЯ БЕЗОПАСНОСТЬ**
  - a) **При использовании электроинструмента будьте бдительны, следите за своими действиями и следуйте здравому смыслу. Не пользуйтесь электроинструментом, если вы устали или находитесь под воздействием наркотиков, алкоголя или медикаментов.** Даже кратковременная невнимательность при работе с электроинструментом может привести к тяжелым травмам.
  - b) **Используйте средства индивидуальной защиты. Всегда используйте защитные средства для глаз.** Защитное оборудование, такое как противопылевая маска, нескользкая предохранительная обувь, жесткая каска или устройства защиты органов слуха в соответствующих условиях уменьшает риск

- травмирования.
- c) **Не допускайте непредвиденных запусков. Перед подключением электроинструмента к сети питания (или аккумулятора) и перед его переносной убедитесь, что выключатель находится в выключенном положении.** Не держите палец на выключателе при переносе электроинструментов и не включайте вилку в розетку, если электроинструмент включен. Это может привести к несчастному случаю.
- d) **Перед включением электроинструмента снимите с него регулировочные инструменты и гаечные ключи.** Регулировочный инструмент или гаечный ключ, оставленный на вращающейся части электроинструмента, может стать причиной травмы.
- e) **Не тянитесь. Всегда сохраняйте устойчивое положение и равновесие.** Это позволит лучше контролировать электроинструмент в непредвиденных ситуациях.
- f) **Одевайтесь надлежащим образом. Не надевайте свободную одежду и украшения. Держите волосы и одежду подальше от движущихся частей.** Свободная одежда, украшения и длинные волосы могут попасть в движущиеся части.
- g) **При наличии устройств для отвода и сбора пыли убедитесь, что они подключены и правильно работают.** Использование пылеулавливающих устройств снижает вред, причиняемый пылью.
- h) **Не допускайте небрежности, которая может возникнуть из-за частого использования инструмента и повлечь за собой самоуверенность и игнорирование правил безопасности.** Неосторожное действие может причинить серьезную травму за доли секунды.
- 4) **ИСПОЛЬЗОВАНИЕ И ОБСЛУЖИВАНИЕ ЭЛЕКТРОИНСТРУМЕНТА**
- a) **Не прилагайте чрезмерные усилия. Используйте подходящий для ваших задач электроинструмент.** Правильно выбранный электроинструмент более эффективен и безопасен при номинальной нагрузке.
- b) **Не используйте электроинструмент, если его выключатель неисправен.** Электроинструменты с неисправным выключателем опасны и подлежат ремонту.
- c) **Перед регулировкой, сменой аксессуаров или хранением отключите электроинструмент от сети питания и (или) извлеките аккумулятор, если это возможно.** Такие меры предосторожности уменьшают риск случайного запуска электроинструмента.
- d) **Храните неиспользуемые электроинструменты в местах, недоступных для детей, и не доверяйте электроинструменты лицам, не знакомым с ним и с этими инструкциями.** Электроинструменты опасны в руках неподготовленных пользователей.
- e) **Выполняйте техническое обслуживание электроинструментов и принадлежностей. Проверьте выравнивание и сцепление подвижных деталей, наличие поломок и прочие условия, которые могут повлиять на работу электроинструмента. Если электроинструмент поврежден, перед использованием его необходимо отремонтировать.** Недостаточный уход за электроинструментом является причиной многих несчастных случаев.
- f) **Храните режущие инструменты в чистоте и заточенном состоянии.** Правильно обслуживаемые и хорошо заточенные режущие инструменты меньше заклинивают и лучше контролируются.
- g) **Используйте электроинструмент, аксессуары, насадки и т. п. в соответствии с этими инструкциями, учитывая условия и специфику выполняемой работы.** Использование электроинструмента для выполнения непредусмотренных операций может привести к опасным ситуациям.
- h) **Следите за тем, чтобы рукоятки и поверхности захвата были сухими и чистыми и на них не было масла или смазочного материала.** Скользкие рукоятки и поверхности захвата не позволяют безопасно использовать инструмент и контролировать его в непредвиденных ситуациях.
- 5) **ЭКСПЛУАТАЦИЯ И ОБСЛУЖИВАНИЕ ИНСТРУМЕНТА С ПИТАНИЕМ ОТ АККУМУЛЯТОРА**
- a) **Заряжайте аккумуляторы только с помощью зарядного устройства, указанного изготовителем.** Зарядное устройство, предназначенное для одного типа аккумуляторных батарей, может стать причиной пожара при использовании с другим типом батарей.
- b) **Используйте электроинструмент только со специально предназначенными для него аккумуляторами.** Использование любого другого вида аккумуляторных батарей может стать причиной несчастных случаев или пожара.
- c) **Когда аккумулятор не используется, храните его отдельно от металлических предметов — канцелярских скрепок, монет, ключей, гвоздей, винтов и др. — они могут соединить контакты.** Короткое замыкание контактов аккумуляторной батареи может стать причиной ожогов или пожара.
- d) **При неблагоприятных обстоятельствах из аккумулятора может потечь электролит; избегайте контакта с ним. При случайном контакте промойте водой. Если жидкость попала в глаза, обратитесь к врачу. Жидкость из аккумуляторной батареи может вызвать раздражение и ожоги.**
- e) **Не используйте аккумулятор и инструмент, если они повреждены или подвергались модификациям.** Поведение поврежденных или модифицированных аккумуляторов может быть непредсказуемым, что приведет к возгоранию, взрыву и риску получения травм.
- f) **Не подвергайте аккумуляторную батарею и инструмент воздействию огня и высокой температуры.** Воздействие огня или температуры выше 130 °C может привести к взрыву.
- g) **Следуйте всем инструкциям по зарядке и не заряжайте аккумулятор и инструмент при температуре, выходящей за пределы указанного диапазона.** Если зарядка выполняется неправильно или в условиях неподходящей температуры, это может привести к повреждению аккумулятора и возгоранию.

## 6) РЕМОНТ

- a) Ремонт электроинструмента должен выполняться **квалифицированным специалистом с использованием только идентичных запасных частей**. Это обеспечит безопасную работу электроинструмента.
- b) **Никогда не выполняйте обслуживание поврежденного аккумулятора**. Обслуживание аккумуляторов должно выполняться только производителем или в авторизованном сервисном центре.

## ПРЕДУПРЕЖДЕНИЯ ПО ТЕХНИКЕ БЕЗОПАСНОСТИ ДЛЯ АККУМУЛЯТОРНЫХ ЦИРКУЛЯРНЫХ ПИЛ

### 1) ПРОЦЕДУРЫ РЕЗКИ

- a) **⚠ ОПАСНОСТЬ: Держите руки подальше от места резки и пильного диска. Держите вторую руку на вспомогательной ручке или на корпусе двигателя.** При удерживании пилы двумя руками получение травмы в результате пореза невозможно.
  - b) **Следите за тем, чтобы ничего не попало под разрезаемый материал.** Щиток не предохраняет от пильного диска под заготовки.
  - c) **Регулируйте глубину пропила в соответствии с толщиной заготовки.** Зубья пилы не должны полностью выступать из-под заготовки.
  - d) **Никогда не держите заготовку в руках или на коленях. Закрепите заготовку на устойчивом основании.** Необходимо правильно закрепить заготовку, чтобы уменьшить риск получения травмы, заклинивания пильного диска или потери управления.
  - e) **При выполнении работ, в ходе которых режущий элемент может касаться скрытой электропроводки или кабеля питания электроинструмента, держите электроинструмент только за поверхности с защитным покрытием.** Если режущий элемент коснется провода под напряжением, неизолированные металлические части электроинструмента могут также оказаться под напряжением, что приведет к поражению оператора электрическим током.
  - f) **Во время продольной резки всегда используйте параллельную направляющую или прямолинейную кромку.** Это повышает точность распиливания и уменьшает риск заклинивания пильного диска.
  - g) **Используйте диски с правильным размером и формой («алмаз» или «круг») центрального отверстия.** Пильные диски, которые не соответствуют креплению пилы, будут вращаться эксцентрично, что приведет к потере контроля над инструментом.
  - h) **Никогда не используйте для пильного диска поврежденные или неподходящие шайбы или болты.** Шайбы и болты для пильного диска специально разработаны для данной пилы и обеспечивают оптимальную производительность и безопасность.
- Отдача представляет собой внезапную реакцию на зажатие, заедание или смещение пильного диска, при этом неконтролируемая пила выбрасывается из заготовки вверх и может ударить оператора.
  - Когда пильный диск зажимается или заклинивается в распиле, он блокируется, и двигатель резко отбрасывает устройство назад в сторону оператора.
  - Если диск изгибается «пропеллером» или косо входит в разрез, зубцы задней кромки диска могут врезаться в верхнюю поверхность древесины и вызвать выброс диска из пропила в сторону оператора.
  - Отдача представляет собой результат неправильного использования инструмента и (или) несоблюдения инструкций или условий работы. Приведенные ниже меры предосторожности позволяют предотвратить возникновение отдачи.
- a) **Крепко держите инструмент обеими руками, расположив руки наиболее удобным образом для реакции на отдачу.**
  - b) **Держите пилу с любой стороны, но не на одной линии с телом.** В результате отдачи пила может отскочить назад, но оператор может контролировать силу отдачи при соблюдении правил безопасности.
  - c) **Если диск заедает или нужно прервать резку по любой причине, выключите инструмент и удерживайте его неподвижно в материале вплоть до полной остановки диска. Не пытайтесь извлечь пилу из заготовки или потянуть ее назад во время вращения пильного диска, так как это может привести к возникновению отдачи.** Осмотрите место зажатия и примите необходимые меры, чтобы устранить причину. Избегайте контакта с гвоздями и винтами.
  - d) **При возобновлении распиливания заготовки установите пильный диск в центр распила и убедитесь, что зубья не зацепились за обрабатываемый материал.** Если пильный диск зажат, он может подняться или привести к возникновению отдачи при возобновлении работы пилы.
  - e) **Придерживайте большие панели, чтобы минимизировать риск застревания диска и отдачи.** Широкие заготовки могут провисать под собственным весом. Под заготовкой следует установить опоры с обеих сторон — вблизи линии реза и у края заготовки.
  - f) **Не используйте затупившиеся или поврежденные пильные диски.** При использовании затупившегося или неправильно установленного пильного диска распил получается узким, что приводит к чрезмерному трению, зажатю диска и возникновению отдачи.
  - g) **Перед началом резки необходимо надежно зафиксировать ручки регулировки глубины и сноса диска.** Если во время распиливания сбивается настройка пильного диска, это может привести к его зажатю или возникновению отдачи.
  - h) **Соблюдайте особую осторожность при распиливании стен или других непросматриваемых областей.** Выступающий пильный диск может распилить предметы, которые способствуют возникновению отдачи.

### 2) ПРИЧИНЫ ОТДАЧИ И ИХ ПРЕДУПРЕЖДЕНИЕ



### 3) ФУНКЦИЯ НИЖНЕГО ЩИТКА

- a) **Проверяйте надежность крепления нижнего щитка перед каждым использованием. Не используйте пилу, если движение нижнего щитка затруднено или если он не закрывается мгновенно. Никогда не зажимайте и не фиксируйте нижний щиток в открытом положении.** Случайное падение пилы может привести к деформации щитка. Приподнимите нижний щиток за рукоятку и убедитесь, что он движется свободно и не касается диска и других частей при любых углах и глубине резки.
- b) **Проверьте работу пружины нижнего щитка. Если щиток или пружина не работают должным образом, устраните неисправность перед использованием.** Работа нижнего щитка может быть замедлена в результате повреждения частей, липких отложений или скопившихся загрязнений.
- c) **Нижний щиток можно отвести вручную только для выполнения специальных распилов, таких как «погружные» и «сложные».** Приподнимите нижний щиток за рукоятку. Как только пыльный диск войдет в материал, щиток необходимо отпустить. Во всех остальных режимах резки нижний щиток должен работать автоматически.
- d) **Прежде чем положить пилу на верстак или пол, убедитесь, что нижний щиток закрывает пыльный диск.** Незащищенный движущийся по инерции диск может привести к обратному ходу пилы, при котором будет распилено все, что встретится на ее пути. Помните, что для остановки диска после выключения питания требуется некоторое время.

### ДОПОЛНИТЕЛЬНЫЕ ПРЕДУПРЕЖДЕНИЯ ПО ТЕХНИКЕ БЕЗОПАСНОСТИ

#### ОБЩИЕ ПОЛОЖЕНИЯ

- Данный инструмент не должен использоваться лицами младше 16 лет.
- Этот инструмент непригоден для резки со смачиванием.
- **Не обрабатывайте материалы, содержащие асбест.** Асбест считается канцерогенным веществом.
- Пыль от материалов, таких как краска с содержанием свинца, некоторые породы дерева, минералы и металлы, может быть вредна. Контакт с такой пылью или ее вдыхание может вызвать аллергические реакции и (или) болезнь органов дыхания у оператора или находящихся рядом лиц. **Надевайте респиратор и по возможности используйте пылеулавливающие устройства.**
- Некоторые виды пыли классифицируются как канцерогенные (например, дубовая и буковая пыль), особенно в сочетании с добавками для кондиционирования древесины. **Надевайте респиратор и по возможности используйте пылеулавливающие устройства.**
- При работе с различными материалами следуйте национальным нормативным требованиям в отношении пыли.
- При работе этой пилой нельзя пользоваться пыльным столом.

- Всегда извлекайте аккумулятор перед выполнением любых регулировок или сменой насадок.

#### ПРИНАДЛЕЖНОСТИ

- Компания SKIL может гарантировать безупречную работу инструмента только при использовании оригинальных принадлежностей.
- Используйте только пыльные диски, соответствующие характеристикам, приведенным в данном руководстве по эксплуатации, а также проверенные и маркированные в соответствии со стандартом EN 847-1.
- Используйте только такие насадки, допустимая скорость вращения которых по крайней мере равна самой высокой скорости работы устройства без нагрузки.
- Используйте только пыльные диски диаметром 184 мм и с отверстием шпинделя диаметром 16 мм.
- Никогда не используйте пыльные диски из быстрорежущей стали (HSS).
- Никогда не используйте шлифовальные круги и режущие диски с данным инструментом.

#### ПЕРЕД ИСПОЛЬЗОВАНИЕМ

- Остерегайтесь винтов, гвоздей и прочих предметов в заготовке, уберите их перед началом работы.
- Перед началом работы удалите все препятствия как сверху, так и снизу траектории резки.
- **Закрепите заготовку** (надежнее зафиксировать заготовку в зажимном устройстве или в тисках, чем удерживать ее рукой).
- **Для обнаружения скрытых коммуникаций используйте соответствующие детекторы или обратитесь за помощью в местное коммунальное предприятие.** Контакт с электропроводкой может привести к пожару или поражению электрическим током, повреждение газопровода может привести к взрыву, а повреждение водопровода может повлечь повреждение имущества или поражение электрическим током.

#### ВО ВРЕМЯ ИСПОЛЬЗОВАНИЯ

- Уровень шума на рабочем месте может превышать 85 дБ (А). Используйте средства защиты органов слуха.
- Запрещается использовать инструмент без штатной системы предохранительных щитков.
- Не пытайтесь резать слишком маленькие заготовки.
- При работе не поднимайте инструмент выше уровня головы.
- В случае заземления диска или электрической или механической неисправности инструмента немедленно выключите его и извлеките аккумулятор.

#### ПОСЛЕ ИСПОЛЬЗОВАНИЯ

- Прежде чем положить инструмент, выключите его и убедитесь, что все движущиеся части полностью остановились.
- Не допускайтесь после отключения пилы останавливать вращение режущего диска, прикладывая к нему боковое усилие.

#### АККУМУЛЯТОРЫ

- **Аккумулятор поставляется частично заряженным.** Чтобы обеспечить полную емкость аккумулятора, перед первым использованием инструмента полностью зарядите аккумулятор с помощью зарядного устройства.
- **Используйте с этим инструментом только указанные далее аккумуляторы и зарядные устройства.**



- Аккумулятор SKIL: BR1\*31\*\*\*\*
- Зарядное устройство SKIL: CR1\*31\*\*\*\*
- Не используйте поврежденный аккумулятор, его необходимо заменить.
- Не разбирайте аккумулятор.
- Не оставляйте инструмент и аккумулятор под дождем.
- Допустимая температура окружающей среды (инструмент/зарядное устройство/аккумулятор):
  - при зарядке 4...40 °C
  - при эксплуатации -20...+50 °C
  - при хранении -20...+50 °C

## ПОЯСНЕНИЯ К ОБОЗНАЧЕНИЯМ НА ИНСТРУМЕНТЕ И АККУМУЛЯТОРЕ

- ③ Перед использованием ознакомьтесь с инструкциями.
- ④ При попадании в огонь аккумулятор может взорваться. Ни в коем случае не сжигайте аккумуляторы.
- ⑤ Храните инструмент, зарядное устройство и аккумулятор в таких местах, где температура не превышает 50 °C.
- ⑥ Не выбрасывайте электроинструменты и аккумуляторы вместе с бытовыми отходами.

## ИСПОЛЬЗОВАНИЕ

- Зарядка аккумулятора.
  - ! **Ознакомьтесь с предупреждениями и инструкциями по технике безопасности, прилагаемыми к зарядному устройству.**
- Извлечение и установка аккумулятора ②
- Установка режущего элемента ②
  - ! **Извлеките аккумулятор из инструмента.**
  - Возьмите шестигранный ключ А из отсека для хранения В.
  - Нажмите кнопку блокировки шпинделя С и удерживайте ее нажатой все время, пока вынимаете крепежный болт D из пыльного диска с помощью вращения шестигранного ключа А ПРОТИВ ЧАСОВОЙ СТРЕЛКИ (в направлении, указанном стрелкой на пыльном диске).
  - ! **Нажимайте кнопку блокировки шпинделя С только при полной остановке инструмента.**
  - Отпустите кнопку блокировка шпинделя С.
  - Снимите фланец Е.
  - ! **Убедитесь, что зажимные поверхности Н на фланцах идеально чистые и обращены к пыльному диску.**
  - Откройте нижний щиток F с помощью рычага G и удерживайте его во время установки пыльного диска таким образом, чтобы зубцы пилы и стрелка, изображенная на пыльном диске, были обращены в том же направлении, что и стрелка на нижнем щитке.
  - Отпустите нижний щиток F.
  - Установите фланец Е.
  - Нажмите кнопку блокировки шпинделя С и удерживайте ее, пока затягиваете болт с помощью шестигранного ключа на 1/8 оборота после затяжки пальцами (гарантирует проскальзывание пыльного диска при избыточном сопротивлении материала, что снижает риск перегрузки двигателя и возникновения отдачи).

- Отпустите кнопку блокировка шпинделя С.
- Регулировка глубины резки (0–66 мм) ⑦
  - Для обеспечения оптимального качества резки пыльный диск не должен выступать из заготовки больше чем на 3 мм.
  - Ослабьте ручку J.
  - Поднимите или опустите основание K, чтобы установить желаемую глубину резки с помощью индикатора L.
  - Затяните ручку J.
- Индикатор уровня заряда ⑧.
  - Нажмите кнопку индикатора уровня заряда аккумулятора АС, чтобы увидеть текущий уровень заряда ⑧а.
  - ! **Если после нажатия кнопки АС ⑧ b начинает мигать самый нижний индикатор уровня заряда, то аккумулятор разряжен.**
  - ! **Если после нажатия кнопки АС ⑧ с начинают мигать 2 уровня индикатора заряда, то температура аккумулятора находится за пределами допустимого диапазона рабочих температур.**
- Светодиодная подсветка ⑫ V
  - При активации выключателя автоматически начинает светиться светодиодная подсветка.
  - ! **Если светодиод начинает мигать, активируется защита аккумулятора (см. ниже).**
- Защита аккумулятора.
  - Инструмент внезапно выключается или не включается, когда:
    - **нагрузка слишком высока** --> уменьшите нагрузку и выполните перезапуск;
    - **температура аккумулятора вышла за пределы допустимого диапазона рабочих температур от -20 до +50 °C** --> при нажатии кнопки АС ⑧ с начинают мигать 2 уровня индикатора уровня заряда. Дождитесь, пока температура аккумулятора вернется в допустимый диапазон рабочих температур;
    - **аккумулятор почти разряжен (для защиты от глубокого разряда)**--> низкий уровень заряда батареи или мигающий низкий уровень заряда аккумулятора ⑧ b отображается индикатором при нажатии кнопки АС. Зарядите аккумулятор.
  - ! **В случае автоматического выключения инструмента не пытайтесь включить его снова, поскольку при этом может быть поврежден аккумулятор.**
- Регулировка угла резки (0–56°) ⑨
  - Ослабьте рычаг М.
  - Наклоняйте инструмент, пока на шкале с помощью индикатора N не будет установлен требуемый угол резки.
  - Стопор наклона под углом 45° P обеспечивает быструю настройку угла скоса 45°.
  - Чтобы установить угол скоса больше 45°, поверните стопор наклона P на 45°, чтобы извлечь его из индикатора N.
  - Затяните рычаг М.
  - ! **При резке со сношенной кромкой глубина резки не соответствует значению на соответствующей шкале.**
- Указатель линии пропила Q ⑩

- Используется для направления инструмента вдоль требуемой линии пропила, размеченной на заготовке.
- При прямой резке под углом 0° или при резке под углом 45° используйте соответствующий указатель.

**! Широкая сторона основания должна располагаться на закрепленной части заготовки.**

**! Ширина резки определяется шириной зубцов пильного диска, а не шириной полотна диска.**

**! Для проверки фантической линии резки обязательно сделайте пробный пропил.**

- Удаление пыли ⑪

Прикрепите адаптер пылесоса R к пиле с помощью винта с головкой Phillips.

Для использования пылесоса выполните следующее.

- Подсоедините шланг пылесоса к адаптеру для пылесоса R.

**! Следите за тем, чтобы шланг пылесоса не мешал нижнему щитку или процессу резки.**

Пылесборник

- Установите пылесборник AD.

- Работа с инструментом

- Установите аккумулятор.

- Всегда крепко держитесь одной рукой за рукоятку S, а другой рукой — за рукоятку T.

- Поместите инструмент передним концом основания на заготовку.

**! Убедитесь, что зубцы пилы не касаются заготовки.**

- Чтобы включить инструмент, сначала нажмите на предохранительный выключатель W, а затем на курковый переключатель Y.

**! Инструмент не должен работать на полной скорости, пока пильный диск не войдет в заготовку.**

- Нижний щиток F автоматически открывается, когда пильный диск прорезает заготовку (открывать нижний щиток вручную с помощью рычага G следует только в особых случаях, например при выполнении погружных распилов).

**! Не прикладывайте к инструменту чрезмерных усилий (нажим должен быть легким и равномерным, чтобы зубцы диска не перегрелись).**

- По окончании резки отключите инструмент, отпустив курковый переключатель Y.

**! Прежде чем поднимать инструмент с заготовки, убедитесь, что полотно полностью остановилось.**

## СОВЕТЫ ПО ИСПОЛЬЗОВАНИЮ

- Всегда располагайте заготовку лицевой стороной вниз, чтобы снизить количество сколов и трещин на ней.
- Используйте только острые пильные диски подходящего типа ⑬.
  - Качество реза увеличивается пропорционально количеству зубцов на пильном диске.
  - Пильные диски с твердосплавными пластинами служат до 30 раз дольше, чем обычные пильные диски.
- Поперечная и продольная резка ⑭

Поперечные и продольные разрезы легко сделать с помощью параллельной направляющей Z.

- Совместите направляющую с указателем линии пропила 0° Q на ножке.

- Вставьте параллельную направляющую Z в пазы с обеих сторон ножки на желаемую ширину и закрепите с помощью ручки AA.

**! Убедитесь, что направляющая планка не мешает свободному перемещению нижнего щитка и пильного диска**

- Погружной распил ⑮

- Установите требуемую глубину пропила.

- Наклоните инструмент вперед, совместив указатель линии пропила Q с размеченной на заготовке требуемой линией резки.

- Откройте нижний щиток F с помощью рычажка G.

- Непосредственно перед тем, как режущий диск войдет в заготовку, включите инструмент и постепенно опускайте задний конец инструмента, используя переднюю кромку основания в качестве оси поворота

- Постепенно перемещайте инструмент вниз и вперед.

- Как только диск прорежет материал, отпустите рычаг G.

**! Никогда не оттягивайте инструмент назад.**

- Резка больших панелей ⑯

- Создайте опору для панели около линии пропила на полу, на столе или на верстаке.

**! Установите глубину пропила таким образом, чтобы прорезать панель, но не опору.**

- Если параллельная направляющая не позволяет установить желаемую ширину резки, прикрепите к заготовке (зажимами или гвоздями) деревянную планку и прижимайте к этой импровизированной направляющей левую сторону основания ⑰.

- Резка с помощью направляющей ⑱ \*В СТАНДАРТНЫЙ КОМПЛЕКТ НЕ ВХОДИТ  
Использование направляющей обеспечивает точные, прямые и аккуратные пропилы под углом 0° или 45°. Прежде чем сделать первый разрез с помощью направляющей, необходимо адаптировать резиновую кромку к используемой циркулярной пиле.

- Для выполнения прямого разреза под углом 0° выровняйте сторону сноса 0° направляющей AE (или сторону сноса 45° при выполнении разреза под углом 45°) с желаемой линией разреза, отмеченной на заготовке.

- Надежно закрепите направляющую AE на заготовке с помощью зажимов направляющей AF ⑲ \*В СТАНДАРТНЫЙ КОМПЛЕКТ НЕ ВХОДИТ

- Наденьте пилу на направляющую AE и поверните ручки для регулировки направляющего паза U по часовой стрелке, чтобы свести к минимуму зазор между прорезью в ножке и приподнятым ребром на направляющей AE, и убедитесь, что пила может свободно скользить по направляющей, не отклоняясь вбок.

- При регулировке глубины резания не забывайте учитывать толщину направляющей AE.

- Равномерно направляйте пилу с низкой скоростью подачи через конец направляющей.

- Дополнительную информацию см. на сайте [www.skil.com](http://www.skil.com)

## ТЕХНИЧЕСКОЕ ОБСЛУЖИВАНИЕ И УХОД

- Этот инструмент не предназначен для профессионального использования.
- Всегда содержите инструмент в чистоте!  
**! Перед очисткой извлеките из инструмента аккумулятор.**
- Всегда очищайте область вокруг нижнего щитка F ② (удаляйте пыль и стружку с помощью сжатого воздуха или щетки).
- Производите чистку режущего диска сразу же после использования (особенно от смолы и клея).
- Если несмотря на тщательность изготовления и испытаний инструмент выйдет из строя, его ремонт должен осуществляться в центре послепродажного обслуживания электроинструментов SKIL.
  - Отправьте инструмент **в разобранном виде** вместе с документом, подтверждающим покупку, вашему дилеру или в ближайший сервисный центр SKIL. Адреса и сервисная схема инструмента приведены на сайте [www.skil.com](http://www.skil.com).
- Имейте в виду, что на повреждения, вызванные перегрузкой или неправильным обращением с инструментом, гарантия не распространяется (условия гарантии SKIL см. на сайте [www.skil.com](http://www.skil.com) или уточните у дилера).

## ЗАЩИТА ОКРУЖАЮЩЕЙ СРЕДЫ

Только для стран ЕС.

- Не выбрасывайте электроинструменты, принадлежности и упаковку вместе с бытовыми отходами.
  - В соответствии с Европейской директивой 2012/19/ЕС об отходах электрического и электронного оборудования и ее выполнением в соответствии с национальным законодательством электрические инструменты, отслужившие свой срок, должны собираться отдельно и доставляться на перерабатывающее предприятие, не наносящее ущерба окружающей среде.
  - Символ ⑥ напомним об этом, когда возникнет необходимость в утилизации.
- ! Перед утилизацией аккумулятора защитите его клеммы плотной изоляционной лентой для предотвращения короткого замыкания.**

## УРОВЕНЬ ШУМА И ВИБРАЦИИ

- Измеренный в соответствии с EN 62841 уровень звукового давления этого инструмента составляет 91 дБ (А), уровень звуковой мощности 102 дБ (А) (погрешность K = 3 дБ), а вибрация \* (суммарная трехкомпонентная вибрация; погрешность K = 1,5 м/с<sup>2</sup>) \* резка древесины < 2,5 м/с<sup>2</sup>.
- Уровень вибрации был измерен в соответствии со стандартизированным испытанием, содержащимся в EN 62841, и может использоваться для сравнения одного инструмента с другим, а также для предварительной оценки воздействия вибрации при использовании данного инструмента в указанных

целях.

- При использовании инструмента в других целях или с другими либо неисправными принадлежностями уровень вибрации может значительно повышаться.
- Когда инструмент отключен или работает вхолостую, уровень вибрации может значительно снижаться.

**! Чтобы защититься от воздействия вибрации, поддерживайте инструмент и его принадлежности в исправном состоянии, держите руки в тепле, а также правильно организуйте рабочий процесс.**

UA

## Безщіткова акумуляторна циркулярна пила 3571 ВСТУП

- Цей інструмент призначений для позовжнього та поперечного розпилювання деревини прямими розрізами, а також розрізами під кутом до 56°
- Цей інструмент не придатний для професійного використання
- Прочитайте і збережіть цю інструкцію з експлуатації ③

## ТЕХНІЧНІ ДАНІ ①

## ЕЛЕМЕНТИ ІНСТРУМЕНТА ②

- A Шестигранний ключ
  - B Місце зберігання для шестигранного ключа
  - C Кнопка блокування шпинделя
  - D Болт кріплення леза
  - E Фланець
  - F Нижній обмежувач
  - G Вазиль для відкриття нижнього обмежувача
  - H Затискач поверхня
  - J Ручка встановлення глибини розпилу
  - K Притискна пластина
  - L Індикатор глибини різання
  - M Вазиль регулювання кута різання
  - N Індикатор кута різання
  - P Обмежувач кута нахилу 45°
  - Q Показчик лінії різання
  - R Адаптер пилососа
  - S Задня ручка
  - T Передня ручка
  - U Ручки для регулювання напрямного пазу
  - V Світлодіодний індикатор
  - W Захисний вимикач
  - X Напрямний паз
  - Y Пусковий перемикач
  - Z Напрямна планка
  - AA Ручка для встановлювання напрямної планки
  - AB Аґачок
  - AC Індикатор рівня заряду аккумулятора
  - AD Мішок для пилу\*
  - AE Напрямна рейка\*
  - AF Затискач напрямної рейки\*
- \* СТАНДАРТНО В КОМПЛЕКТ НЕ ВКЛЮЧАЄТЬСЯ

## БЕЗПЕКА

### ЗАГАЛЬНІ ПОПЕРЕДЖЕННЯ ЩОДО ТЕХНІКИ БЕЗПЕКИ РОБОТИ З ЕЛЕКТРОІНСТРУМЕНТАМИ

**▲ ПОПЕРЕДЖЕННЯ.** Прочитайте всі попередження безпеки, інструкції, ілюстрації та характеристики, надані з цим електроінструментом. Недотримання наведених нижче вказівок може спричинити ураження електричним струмом, пожежу та/або серйозні травми.

**Зберігайте всі попередження та інструкції для використання в майбутньому.**

Термін «електроінструмент» у попередженнях стосується електричного інструмента, що працює від електромережі (через шнур) або від акумулятора (без шнура).

#### 1) БЕЗПЕКА В РОБОЧІЙ ЗОНІ

- a) **Робоче місце має бути чистим і гарно освітленим.** Неприбрана або погано освітлена робоча зона може стати причиною нещасного випадку.
- b) **Не працюйте з інструментом у вибухонебезпечному середовищі, наприклад за наявності легкозаймистих рідин, газів або пилу.** Під час роботи електроприладу утворюються іскри, від яких можуть зайнятися пил або випари.
- c) **Дітям і спостерігачам заборонено перебувати поруч з електроінструментом, що працює.** Це може відволікати вас і призвести до втрати контролю.

#### 2) ЕЛЕКТРИЧНА БЕЗПЕКА

- a) **Штепсельні вилки електроінструмента мають підходити до розеток.** Заборонено модифікувати вилку будь-яким чином. **Не використовуйте жодні перехідники для роботи із заземленими електроінструментами.** Використання штепселів і розеток, у які не вносилися зміни, зменшує ризик ураження електричним струмом.
- b) **Уникайте контакту частин тіла із заземленими поверхнями, таними як труби, батареї, плити й холодильники.** У разі заземлення тіла збільшується ризик ураження електричним струмом.
- c) **Бережіть електроінструмент від дощу та вологи.** Вода, що потрапила в електроінструмент, підвищує ризик ураження електричним струмом.
- d) **Поводьтесь обережно зі шнуром живлення. Не використовуйте шнур живлення для перенесення чи перетягування інструмента та виймання вилки з розетки.** Бережіть шнур живлення від джерел тепла, мастил, гострих країв та рухомих частин. Пошкоджені або заплутані шнури живлення підвищують ризик ураження електричним струмом.
- e) **Під час роботи з електроінструментом надворі використовуйте подовжувач, призначений для зовнішніх робіт.** Використання подовжувача, призначеного для зовнішніх робіт, зменшує ризик ураження електричним струмом.
- f) **Якщо роботи з електроінструментом у вологому середовищі не уникнути, скористайтеся пристроєм захисного вимкнення (ПЗВ).**

Використання ПЗВ зменшує ризик ураження електричним струмом.

#### 3) ІНДИВІДУАЛЬНА ТЕХНІКА БЕЗПЕКИ

- a) **Під час роботи з електроінструментом будьте уважними, слідуйте за своїми діями та мисліть розсудливо. Не працюйте з електроінструментом, якщо ви втомлені або перебуваєте під дією наркотичних речовин, алкоголю або ліків.** Навіть миттєва втрата пильності під час роботи з електроінструментами може стати причиною важкої травми.
  - b) **Використовуйте засоби особистого захисту. Завжди носіть засоби захисту очей.** Використання у відповідних умовах таких захисних засобів, як протипиловий респіратор, неслизьке захисне взуття, шолом-каска і навушники допоможе зменшити ризик травмування.
  - c) **Уникайте випадкового запуску інструмента. Перш ніж підключати електроінструмент до мережі живлення чи акумулятора, брати чи переносити його, перевірте, чи встановлено перемикач у положення «вимкнено».** Якщо переносити електроінструмент, тримаючи палець на вимикачі, або підключати його до джерела живлення, коли вимикач перебуває в положенні «увімкнено», це може призвести до травмування.
  - d) **Перш ніж вимкати електроінструмент, слід зняти всі регулювальні клинці або гайкові ключі.** Якщо залишити такий ключ на рухомій частині електроінструмента, це може призвести до травмування.
  - e) **Не дотягуйтеся. Завжди міцно стійте на ногах і втримуйте рівновагу.** Це дає змогу краще керувати електроінструментом у разі виникнення непередбачуваних ситуацій.
  - f) **Одягайтеся належним чином. Не носіть вільний одяг або біжутерію.** Стежте за тим, щоб волосся та одяг не потрапили на рухомі частини. Вільний одяг, біжутерія або довге волосся можуть потрапити в рухомі частини.
  - g) **Якщо пристрої обладнано системою видалення пилу, переконайтеся, що її правильно підключено і що ви використовуєте її належним чином.** Використання пристрою для збирання пилу може зменшити безпеку, пов'язану з пилом.
  - h) **Не дозволяйте навичкам, отриманим після частого використання інструментів, змусити вас стати самовпевненими та ігнорувати принципи безпеки інструмента.** Недбала дія може спричинити серйозну травму протягом долі секунди.
- #### 4) ВИКОРИСТАННЯ ТА ДОГЛЯД ЗА ЕЛЕКТРОІНСТРУМЕНТОМ
- a) **Не застосовуйте силу до електроінструмента. Використовуйте належний електроінструмент відповідно до потреби.** Правильно підібраний електроінструмент допоможе краще і безпечніше зробити роботу зі швидкістю, яка для неї передбачена.
  - b) **Не використовуйте електроінструмент, якщо перемикач не вмикає або не вимикає його.** Усі електроінструменти, якими неможливо керувати за допомогою перемикача, становлять небезпеку й підлягають ремонту.

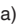
- c) **Перш ніж проводити будь-які налаштування, замінювати аксесуари або перед зберіганням слід вимкнути штепсель із джерела живлення та/або вийняти з інструмента акумулятор, якщо він знімний.** Такі запобіжні заходи техніки безпеки зменшують ризик випадкового запуску електроінструмента.
- d) **Зберігайте інструменти, що не використовуються, подалі від дітей і не дозволяйте особам, які не мають досвіду роботи з такими інструментами або не знайомі з цією інструкцією, користуватись електроінструментом.** Електроінструменти становлять небезпеку в руках недосвідчених користувачів.
- e) **Доглядайте за електроінструментами та аксесуарами. Перевіряйте їх на предмет розладнання чи блокування рухомих частин, а також будь-яких обставин, які можуть вплинути на роботу електроінструмента. У разі пошкодження електроінструмент слід здати в ремонт, перш ніж користуватися ним.** Часто нещасні випадки трапляються внаслідок неналежного технічного обслуговування електроінструментів.
- f) **Тримайте ріжучі інструменти гострими й чистими.** Належним чином доглянуті ріжучі інструменти з гострими ріжучими краями рідше блокуються, і ними легше керувати;
- g) **Користуйтеся електроінструментом, аксесуарами та насадками для інструмента згідно з цією інструкцією, зважаючи на робочі умови та роботу, яку слід виконати.** Використання електроінструмента не за призначенням може стати причиною виникнення небезпечних ситуацій.
- h) **Підтримуйте руків'я та захватні поверхні сухими, чистими, без жиру і бруду.** Слизькі ручки та захватні поверхні не дають змоги безпечно тримати та керувати інструментом у непередбачених ситуаціях.
- 5) **КОРИСТУВАННЯ І ДОГЛЯД ЗА АКУМУЛЯТОРНИМ ІНСТРУМЕНТОМ**
  - a) **Заряджайте лише за допомогою зарядного пристрою, указаного виробником.** Зарядний пристрій, який підходить для акумуляторів одного виду, може спричинити ризик пожежі у випадку його використання з іншим акумулятором.
  - b) **З електроінструментами слід використовувати лише призначені для них акумуляторні батареї.** Використання будь-яких інших акумуляторних батарей може призвести до травми або пожежі.
  - c) **Коли батарея не використовується, її слід тримати окремо від металевих предметів, наприклад затисначів для паперу, монет, ключів, цвяхів, шурупів та інших дрібних предметів, які можуть замкнути клемі.** Коротке замикання клем акумулятора може стати причиною опіків чи пожежі.
  - d) **У надто важких умовах експлуатації з акумулятора може витікати рідина; не доторкайтесь до неї. Якщо випадково ви все ж торкнулися її, слід промити це місце водою. Якщо рідина потрапила в очі, слід також звернутися до лікаря. Рідина, яка виступає з**

акумулятора, може спричинити подразнення або опіки.

- e) **Не використовуйте акумуляторну батарею або інструмент, які пошкоджені або змінені.** Пошкоджені або змінені батареї можуть мати непередбачувану поведінку, що може спричинити пожежу, вибух або ризик травмування.
- f) **Не надавайте акумуляторну батарею або інструмент дії вогню або високих температур.** Вогонь або температура вище 130°C може спричинити вибух.
- g) **Дотримуйтесь усіх інструкцій щодо заряджання та не заряджайте акумуляторну батарею або інструмент за межами температурного діапазону, зазначеного в інструкціях.** Зарядження неналежним чином або при температурах за межами вказаного діапазону може пошкодити акумулятор і збільшити ризик виникнення пожежі.
- 6) **SERVIS**
  - a) **Обслуговування електроінструмента повинен виконувати кваліфікований ремонтник із використанням лише ідентичних запасних частин.** Це забезпечить нормальну роботу електроінструмента.
  - b) **Ніколи не ремонтуйте пошкоджені акумулятори.** Сервісне обслуговування акумуляторних батарей має виконувати лише виробник або авторизовані постачальники послуг.

## ПОПЕРЕДЖЕННЯ ЩОДО БЕЗПЕНИ ДЛЯ АКУМУЛЯТОРНИХ ЦИРКУЛЯРНИХ ПИЛ

### 1) ПРОЦЕДУРИ РІЗАННЯ

- a) ** НЕБЕЗПЕКА.** Тримайте руки подалі від місця різання та лека. Тримайте другу руку на допоміжній ручці або корпусі мотора. Якщо тримати пилу обома руками, ви не зможете порізати лезом.
- b) **Не просовуйте руки під заготовку.** Обмежувач не захистить вас від лека під заготовкою.
- c) **Відрегулюйте глибину різання відповідно до товщини заготовки.** Зубці пили мають лише частково виглядати з-під заготовки.
- d) **Ніколи не тримайте розпилювану заготовку в руках або попереk ноги. Закріпіть заготовку на стійкій платформі.** Важливо правильно розташувати заготовку, щоб звести до мінімуму можливість контакту пили з частинами тіла, заїдання лека пили або втрати контролю.
- e) **Під час роботи, коли робочий інструмент може зачепити заховану електропроводку або власний шнур, тримайте електроінструмент лише за ізольовані рукоятки (защеплення проводки, що перебуває під напругою, також подаватиме напругу на металеві частини електроінструмента та призводити до удару електричним струмом)**
- f) **Під час розпилювання завжди використовуйте паралельну напрямну або напрямну для краю.** Це підвищує точність різання та знижує ймовірність заклинювання лека.
- g) **Завжди використовуйте лека з правильним**



розміром і формою (ромбоподібні або круглі) отворів для осі. Леза, що не відповідають монтажному обладнанню пили, рухатимуться не по центру, що призведе до втрати контролю.

- h) **Ніколи не використовуйте пошкоджені шайби або болти леза.** Шайби та болт леза були спеціально розроблені для вашої пили, щоб забезпечити оптимальну продуктивність і безпеку роботи.
- 2) **ПРИЧИНИ ВІДДАЧІ ТА ВІДПОВІДНІ ПОПЕРЕДЖЕННЯ**
- Віддача - це неочікувана реакція на защемлення, заїдання або неправильне центрування леза пили, що викликає неконтрольованих рух пили вгору від заготовки та в напрямку оператора
  - Коли лезо защемлене або міцно застрягло в розрізі деревини, воно пересте обертатися, тож мотор спричиняє швидкий рух інструмента назад у напрямку оператора
  - Якщо лезо зігнулося в розрізі або погано відцентроване, зубці в задній частині пили можуть глибоко входити в поверхню деревини, в результаті чого лезо виходить з розрізу та відлітає назад в напрямку оператора
  - Віддача – це результат неправильного використання електроінструмента і недотримання належної техніки та умов експлуатації; цьому можна запобігти, як зазначено нижче.
- a) **Міцно тримайте пилу двома руками й розмістіть руки так, щоб протистояти силі віддачі. Станьте з будь-якого боку від леза, але не на одній лінії з лезом.** Віддача може призвести до того, що пила відскочить назад, але сила віддачі може контролюватись оператором, якщо вжито належних запобіжних заходів.
- b) **Коли лезо заїдає або з будь-якої причини перериває різання, відпустіть курок і утримуйте пилу нерухомо в матеріалі, доти лезо не зупиниться повністю. Ніколи не намагайтеся прибрати пилу із заготовки або витягнути пилу назад, коли лезо перебуває в русі, інакше може статися віддача.** Дослідіть і виконайте коригувальні дії для усунення причини заклинювання леза. Уникайте різання цвяхів або шурупів.
- c) **Під час перезапуску пили в заготовці розмістіть лезо пили по центру в пропилі та переконайтеся, що зубці пили не входять у матеріал.** Якщо лезо пили заїдає, воно може піднятися або відскочити від заготовки під час перезапуску пили.
- d) **Закріплюйте великі панелі, щоб мінімізувати ризик защемлення леза та віддачі.** Великі панелі мають здатність прогинатися під власною вагою. Опори мають бути розміщені під панеллю з обох боків, поблизу лінії різання та біля краю панелі.
- e) **Не використовуйте тупі або пошкоджені леза.** Не заточені або неправильно встановлені леза утворюють вузький розріз та викликають надмірне тертя, спричиняючи заїдання леза та віддачу.
- f) **Фіксуючі вузли регулювання глибини леза та сносу мають бути затягнуті та надійно закріплені перед різанням.** Якщо регулювання леза зміщується під час різання, це може призвести до заїдання та віддачі.

g) **Будьте особливо обережні під час розпилювання в стінах або в інших місцях, у які ви не можете зайти.** Виступаюче лезо може розрізати предмети, що може спричинити віддачу.

### 3) ФУНКЦІЯ НИЖНЬОГО ОБМЕЖУВАЧА

- a) **Перед кожним використанням перевіряйте правильність закриття нижнього обмежувача. Забороняється використовувати пилу, якщо нижній обмежувач не рухається вільно та одразу не закривається. Забороняється фіксувати чи прив'язувати нижній обмежувач у відкритому положенні.** Якщо пила випадково впала, нижній обмежувач може зігнутися. Підніміть нижній обмежувач за допомогою рукоятки, що втягується, і переконайтеся, що він переміщається вільно і не торкається леза або будь-якої іншої деталі при будь-яких кутах і глибинах різання.
- b) **Перевірте роботу пружини нижнього обмежувача. Якщо обмежувач і пружина не працюють належним чином, їх необхідно відремонтувати перед використанням.** Нижній обмежувач може працювати повільно через пошкоджені деталі, смолисті відкладення або скупчення сміття.
- c) **Нижній обмежувач слід прибрати вручну лише для особливих пропилів, таких як «занурювальні пропили» та «складні пропили».** Підніміть нижній обмежувач за рукоятку, що втягується, і коли лезо ввійде в матеріал, нижній обмежувач має бути звільнений. Для інших видів пиляння нижній обмежувач має працювати автоматично.
- d) **Завжди стемте за тим, щоб нижній обмежувач закривав лезо, перед тим як ставити пилу на лавку або підлогу.** Лезо без обмежувача. що рухається за інерцією, змусить пилу рухатись назад, зрізаючи все на своєму шляху. Зважайте на час, необхідний для зупинки леза після відпускання перемикача.

### ДОДАТКОВІ ЗАСТЕРЕЖЕННЯ ЩОДО БЕЗПЕКИ

#### ЗАГАЛЬНІ

- Цей інструмент не можна використовувати особам віком до 16 років
- Цей інструмент не підходить для мокрого різання
- **Не обробляйте матеріали, що містять асбест** (асбест вважається канцерогенним)
- Пил від таких матеріалів, як фарба з вмістом свинцю, деякі породи дерева, мінерали й метал, може бути шкідливим (контакт із таким пилом або його вдихання може стати причиною виникнення в оператора або осіб, що перебувають поруч, алергійних реакцій і/або респіраторних захворювань); **надягайте респіратор і працюйте з пиловиділяючим пристроєм під час роботи з інструментом**
- Деякі види пилу класифікуються як канцерогенні (наприклад, дубовий або буковий пил), особливо в сполученні з добавками для кондиціонування деревини; **надягайте респіратор і працюйте з пиловиділяючим пристроєм під час роботи з інструментом**
- Дотримуйтеся інструкцій із роботи з матеріалами, що утворюють пил



- Не використовуйте цю пилу разом із пиляльним столом
- Виймайте акумулятор з інструмента перед виконанням будь-яких регулювань або заміною частин та приладдя!

#### АНЕСУАРИ

- SKIL гарантує надійну роботу інструмента тільки за умови використання відповідного приладдя
- Використовуйте лише леза пили, що відповідають характеристикам, зазначеним в цій інструкції, перевірені за EN 847-1 та мають відповідне маркування
- Використовуйте лише приладдя, припустима швидкість обертання якого як мінімум відповідає найвищій швидкості інструмента без навантаження
- Використовуйте тільки леза пили з мінімальним діаметром 184 мм, максимальним діаметром 184 мм та отвором шпинделя 16 мм.
- Ніколи не використовуйте леза пили зі швидкорізальної сталі (HSS).
- Ніколи не використовуйте шліфувальні/відрізні диски з цим інструментом

#### ПЕРЕД ВИКОРИСТАННЯМ

- Не допускайте пошкоджень, які можуть нанести шурупи, цвяхи та інші елементи вашої заготовки; видаліть їх перед початком роботи
- Видаліть усі перешкоди зверху та знизу траєкторії різання, перш ніж почати різання.
- **Зафіксуйте оброблювану деталь** (оброблювана деталь, зафіксована за допомогою затискних пристроїв або лещат, закріплюється краще, ніж вручну)
- **Використовуйте придатні пошукові прилади для знаходження захованих в будівлі труб та кабелів або зверніться за допомогою в місцеве підприємство електро-, газо- та водопостачання** (зачеплення електропроводки може призводити до пожежі та удару електричним струмом; зачеплення газової труби може призводити до вибуху; зачеплення водопровідної труби може завдати шкоду матеріальним цінностям або призводити до удару електричним струмом)

#### ПІД ЧАС ВИКОРИСТАННЯ

- Рівень шуму під час роботи може перевищувати 85 дБ(А); носіть засоби захисту вух
- Ніколи не використовуйте інструмент без оригінальної системи захисту
- Не намагайтеся розрізати дуже маленькі заготовки
- Не працюйте інструментом над головою
- У разі заклинювання або електричної чи механічної несправності негайно вимкніть інструмент і вийміть акумулятор.

#### ПІСЛЯ ВИКОРИСТАННЯ

- Коли ви відкладаєте інструмент, вимкніть мотор і переконайтесь, що всі його рухомі частини повністю зупинились.
- Після вимкнення циркулярної пили ніколи не зупиняйте обертання леза пили під дією бічної сили.

#### БАТАРЕЇ

- **Акумулятор, який постачається в комплекті, є частково зарядженим** (повністю зарядіть акумулятор у зарядному пристрої перед першим використанням свого електроінструмента, щоб забезпечити повну потужність акумулятора)
- **Використовуйте з інструментом тільки такі акумулятори і зарядні пристрої**

- Акумулятор SKIL: BR1\*31\*\*\*\*
- Зарядний пристрій SKIL: CR1\*31\*\*\*\*

- Не використовуйте пошкоджений акумулятор; його потрібно замінити
- Не розбирайте акумулятор
- Виключіть можливість потрапляння інстру на акумулятор або акумулятор
- Допустима температура навколишнього середовища (інструмент/зарядний пристрій/акумулятор):
  - під час зарядження 4...40°C
  - під час роботи -20...+50°C
  - під час зберігання -20...+50°C

#### ПОЯСНЕННЯ СИМВОЛІВ НА ІНСТРУМЕНТІ / АКУМУЛЯТОРІ

- ③ Перед використанням прочитайте інструкцію із застосування
- ④ Акумулятори можуть вибухнути в разі потрапляння у вогонь, тому в жодному разі не спалюйте акумулятори
- ⑤ Зберігайте інструмент/зарядний пристрій/акумулятор при температурі не більшій 50°C
- ⑥ Не викидайте електроінструмент і батареї разом із звичайним сміттям

## ВИКОРИСТАННЯ

- Зарядження акумулятора
- ! **ознайомтеся з попередженнями і вказівками з техніки безпеки, які надаються із зарядним пристроєм**
- Зняття/установлення акумулятора ②
- Підготовка леза пили ②
- ! **виймайте акумулятор з інструмента**
- візьміть шестигранний ключ А з контейнера В
- натисніть кнопку блокування шпинделя С та утримуйте її, доки не знімете болт леза D, повертаючи шестигранний ключ А ПРОТИ ГОДИННИКОВОЇ СТРІЛКИ (= у напрямку стрілки, зображеної на лезі пили)
- ! **натискайте кнопку блокування шпинделя С, тільки коли жодний елемент інструмента не рухається**
- відпустіть кнопку блокування шпинделя С
- видаліть фланець Е
- ! переконайтеся, що затискні поверхні Н фланців ідеально чисті та звернені до леза
- відкрийте нижній обмежувач F за допомогою важеля G та утримуйте його, поки ви монтуєте лезо пили, встановлюючи його таким чином, щоб зубці пили та стрілка на лезі вказували в тому ж напрямку, що й стрілка на нижньому обмежувачі
- відпустіть нижній обмежувач F
- установіть фланець Е
- натисніть кнопку блокування шпинделя С та утримуйте її, доки не затягнете болт леза шестигранним ключем на 1/8 оберту після того, як доведеться докласти ручного зусилля (забезпечте проковзування леза пили, коли воно стикається з надмірним опором, що забезпечує зменшення перевантаження мотора та віддачі пили)
- відпустіть кнопку блокування шпинделя С
- Регулювання глибини розпилу (0–66 мм) ⑦
- для отримання оптимальної якості розпилювання лезо пили не повинно виглядати з-під заготовки

- більше, ніж на 3 мм
- послабте ручку J
- підніміть/опустіть притискную пластину K до встановлення необхідної глибини розрізу на шкалі за допомогою індикатора L
- затягніть ручку J
- Індикатор рівня заряду акумулятора ⑧
  - натисніть кнопку індикатора рівня заряду акумулятора AC, щоб побачити поточний рівень заряду ⑧a
  - ! **коли найнижчий рівень індикатора заряду акумулятора блимає після натискання кнопки AC ⑧b, акумулятор розряджено**
  - ! **коли 2 рівні індикатора заряду акумулятора починають блимати після натискання кнопки AC ⑧c, акумулятор перебуває за межами допустимого діапазону робочих температур**
- Світлодіодний індикатор ⑫ V
  - Світлодіодний індикатор автоматично загоряється під час активації вимикача
  - ! **коли світлодіод починає блимати, активується захист акумулятора (див. нижче)**
- Захист акумулятора
  - Інструмент раптово вимикається або його не можна ввімкнути, коли
    - навантаження занадто високе -> приборіть навантаження і перезапустіть
    - температура акумулятора не перебуває в допустимому діапазоні робочих температур від -20 до +50°C -> 2 рівні індикатора заряду акумулятора починають блимати під час натискання кнопки AC ⑧c; зачекайте, доки акумулятор не повернеться в допустимий діапазон робочих температур
    - акумулятор майже розряджений (для запобігання глибокому розрядженню)
      - > низький рівень заряду батареї або блимання низького рівня заряду батареї ⑧b показано індикатором рівня заряду батареї під час натискання кнопки AC; зарядіть акумулятор
  - ! **не продовжуйте роботу та не натискайте вмикач після автоматичного вимкнення інструмента; такими діями можна пошкодити акумулятор**
- Регулювання кута розпилу (0–56°) ⑨
  - послабте важіль M
  - нахилляйте інструмент до отримання необхідного кута розрізу, що встановлюється на шкалі за допомогою індикатора N
  - обмежувач кута нахилу 45° P забезпечує швидке налаштування кута нахилу 45°
  - щоб установити кут скосу більше 45°, поверніть обмежувач кута нахилу 45° P, щоб зняти його з індикатора N
  - затягніть важіль M
  - ! **під час фацетування глибина розрізу не відповідає значенню глибини розрізу, що встановлене на шкалі**
- Показчик лінії різання Q ⑩
  - для спрямування інструменту поздовж необхідній лінії розрізу, яка накреслена на заготовці
  - для прямого різання під кутом 0° або різання під кутом 45° використовуйте відповідну індикаторну

- лінію
- ! **широка частина притискної пластини має спиратися на частину заготовки, що міститься на опорі**
- ! **ширина розрізу визначається шириною зубців пили, а не шириною самого полотна пили**
- ! **завжди спочатку робіть пробні розпили, щоб перевірити лінію пропилу**
- Пиловловлювання ⑪
  - Прикріпіть адаптер пиლოსоса R до пили за допомогою гвинта з хрестоподібним шліцом. Щоб користуватись пиლოსосом, необхідно
    - підключити шланг пиლოსоса до адаптера пиლოსоса R
  - ! **не допускайте, щоб шланг пиლოსоса заважав функціонуванню нижнього обмежувача або розпилюванню**
- Мішок для пилу
  - установіть мішок для пилу AD
- Використання інструменту
  - установіть акумулятор
  - завжди міцно тримайте ручку S однією рукою та міцно тримайте ручку T іншою рукою
  - поставте інструмент передньою частиною притискної пластини на заготовку
  - ! **переконайтесь, що зубці пили не застрягли в заготовці**
  - вмикайте інструмент спочатку натисканням на вимикач-запобіжник W, а потім на курок Y
  - ! **перш ніж лезо пили торкнеться заготовки, інструмент має працювати на повну швидкість**
  - нижній обмежувач F відкривається автоматично, коли лезо пили торкається заготовки (тільки в разі виконання особливого розрізу, такого як врізання, можна відкрити нижній обмежувач вручну за допомогою важеля G)
  - ! **використовуйте інструмент, не докладайте надмірного зусилля (зусилля має бути помірним та постійним, щоб запобігти перегріванню вістря леа)**
  - виконавши розпил, вимкніть інструмент, відпустивши тригер Y
  - ! **перш ніж прибрати інструмент від заготовки переконайтесь, що пила остаточно зупинилась**

## ПОРАДИ ІЗ ЗАСТОСУВАННЯ

- Завжди спрямовуйте заготовку лицьовою стороною донизу, щоб забезпечити мінімальне розщеплення.
- Використовуйте лише гострі леза пили відповідного типу ⑬
  - якість різання покращується за рахунок кількості зубців
  - леза з твердосплавними наконечниками залишаються гострими до 30 разів довше, ніж звичайні леза
- Поперечні/повздовжні пропили ⑭
  - Поперечні або поздовжні пропили легко виконувати за допомогою паралельної напрямної Z.
  - сумістіть напрямну з індикатором 0° лінії різання Q на притискній пластині
  - вставте паралельну напрямну Z через прорізи з обох боків притискної пластини на потрібну ширину та закріпіть ручкою AA

**! переконайтеся, що напрямна планка не заважає вільному руху нижнього обмежувача та леза пили**

- Врізне пиляння ⑮
  - установіть бажану глибину різання
  - нахиліть інструмент уперед таким чином, щоб покажчик лінії різання Q збігався з лінією необхідного розрізу, позначеною на заготовці
  - відкрийте нижній обмежувач F за допомогою важеля G
  - перш ніж лезо торкнеться заготовки, увімкніть інструмент та поступово опускайте задню частину інструмента, використовуючи передню частину притискної пластини як точку шарніра
  - поступово рухайте інструмент вниз і вперед
  - як тільки лезо торкнеться матеріалу, відпустіть важіль G

**! ніколи не відтягуйте інструмент назад**

- Розрізання великих панелей ⑯
  - опорна панель поруч із вирізом на підлозі, столі або верстаті

**! встановіть глибину розрізу таким чином, щоб розрізати панель, а не опору**

- якщо напрямна планка не дозволяє виконати розріз потрібної ширини, прикріпіть або прибийте цвяхами до заготовки пряму дерев'яну планку в якості напрямна та притискайте до неї лівий бік притискної пластини ⑰
- Різання за допомогою напрямної ⑱ \*НЕ ВХОДИТЬ У СТАНДАРТНИЙ КОМПЛЕКТ ПОСТАЧАННЯ

Використання напрямної рейки забезпечує точні, прямі та акуратні пропили зі скосом під кутом 0° або 45°.

- Перед виконанням першого пропилу за допомогою напрямної рейки гумова кромка має бути адаптована до циркулярної пили, що використовується.
- для прямого пропилу під кутом 0° сумістіть сторону скосу 0° рейки AE (або сторону скосу 45° у разі різання під кутом 45°) із бажаною лінією різання, зазначеною на заготовці.
  - надійно закріпіть напрямну AE на заготовці за допомогою затискачів напрямної рейки AF ⑲ \*НЕ ВХОДИТЬ У СТАНДАРТНИЙ КОМПЛЕКТ ПОСТАЧАННЯ
  - насуньте пилу на рейку AE і поверніть ручки регулювання напрямного паса U за годинниковою стрілкою, щоб звести до мінімуму зазор між пазом у притискній пластині та ребром, що виступає, на рейці AE, і переконайтеся, що пила може вільно ковзати по рейці без гойдання вбік.
  - під час установавлення глибини різання не забудьте врахувати товщину напрямної рейки AE
  - ведіть пилу рівномірно з повільною подачею через кінець рейки

- Дивіться додаткову інформацію на сайті [www.skil.com](http://www.skil.com)

## ДОГЛЯД / ОБСЛУГОВУВАННЯ

- Цей інструмент не придатний для професійного використання
- Завжди тримайте інструмент у чистоті!  
**! виймайте акумулятор з інструмента перед очищенням**

- Тримайте область навколо нижнього обмежувача F ⑳ в чистоті (видаляйте пил та стружки за допомогою стисненого повітря або щітки)
- Очистіть лезо пили відразу після використання (особливо від смоли та клею).
- Якщо інструмент виїде з ладу, незважаючи на ретельні процедури виготовлення та випробувань, ремонт має виконуватись у центрі післяпродажного обслуговування електроінструментів SKIL
  - надішліть **нерозібраний** інструмент разом із доказом купівлі до свого дилера або до найближчого центру обслуговування SKIL (адреси, а також схема для обслуговування пристрою, подаються на сайті [www.skil.com](http://www.skil.com))
- Візьміть до відома, що ушкодження внаслідок перевантаження або неналежного поводження з інструментом не будуть включені в гарантію (умови гарантії SKIL див. на сайті [www.skil.com](http://www.skil.com) або довідайтеся в дилера у вашому регіоні)

## ОХОРОНА ДОВКІЛЛЯ

Тільки для країн ЄС

- Не викидайте електроінструмент, аксесуари та упаковку разом зі звичайним сміттям
    - відповідно до європейської директиви 2012/19/ЄС щодо утилізації старих електричних та електронних приладів, згідно з місцевим законодавством, електроінструмент, який перебував в експлуатації, має бути утилізований окремо, безпечним для довкілля шляхом
    - символ ㉑ нагадує вам про це, коли виникне необхідність в утилізації
- ! перед тим як позбутись акумулятора: заклейте грубою клейкою стрічкою клеми, щоб запобігти короткому замиканню**

## ШУМ / ВІБРАЦІЯ

- Вимірний відповідно до стандарту EN 62841 рівень звукового тиску цього інструмента становить 91 дБ(A). і рівень звукової потужності 102 дБ(A) (похибка K = 3 дБ), а вібрація \* (сума векторів по трьох осях; похибка K = 1,5 м/с<sup>2</sup>) \* різання деревини < 2,5 м/с<sup>2</sup>
  - Рівень вібрації було виміряно згідно зі стандартизованим випробуванням, що міститься в EN 62841; ця характеристика може використовуватися для порівняння одного інструмента з іншим, а також для попередньої оцінки впливу вібрації під час застосування інструмента для вказаних цілей
    - у разі використання інструмента в інших цілях або з іншими/несправними допоміжними пристосуваннями рівень впливу вібрації може значно **підвищуватися**
    - у періоди, коли інструмент вимкнений або функціонує без фактичного виконання роботи, рівень впливу вібрації може значно **знижуватися**
- ! захищайте себе від впливу вібрації, підтримуючи інструмент і його допоміжні пристосування в справному стані, підтримуючи руки в теплі, а також правильно організовуючи свій робочий процес**

## ΑΣΥΡΜΑΤΟ ΔΙΣΚΟΠΡΙΟΝΟ 3571 ΧΩΡΙΣ ΨΗΚΤΡΕΣ ΕΙΣΑΓΩΓΗ

- Αυτό το ηλεκτρικό εργαλείο προορίζεται για κατά μήκος και εγκάρσια κοπή ξύλου με ευθείες τομές, καθώς και με γωνιακές τομές έως 56°
- Αυτό το εργαλείο δεν προορίζεται για επαγγελματική χρήση
- Διαβάστε και φυλάξτε αυτό το εγχειρίδιο οδηγιών ③

## ΤΕΧΝΙΚΑ ΧΑΡΑΚΤΗΡΙΣΤΙΚΑ ①

### ΜΕΡΗ ΤΟΥ ΗΛΕΚΤΡΙΚΟΥ ΕΡΓΑΛΕΙΟΥ

②

- A Εξάγωνο κλειδί
  - B Β Θήκη αποθήκευσης εξάγωνου κλειδιού
  - C C Κουμπί ασφάλισης της ατράκτου
  - D D Μπουλόνι λάμας
  - E E Φλάντζα
  - F F Κάτω προστατευτικό
  - G G Μοχλός ανοίγματος κάτω προστατευτικού
  - H H Επιφάνεια σύσφιξης
  - J J Κουμπί ρύθμισης βάθους πριονίσματος
  - K K Πλάκα πέλματος
  - L L Ένδειξη βάθους κοπής
  - M M Μοχλός ρύθμισης γωνίας κοπής
  - N N Ένδειξη γωνίας κοπής
  - P P Αποστάτης λοξοτομής 45°
  - Q Q Ένδειξη γραμμής κοπής
  - R R Προσαρμογέας ηλεκτρικής σκούπας
  - S S Πίσω λαβή
  - T T Μπροστινή λαβή
  - U U Κουμπιά ρύθμισης υποδοχής οδηγού
  - V V Λυχνία LED
  - W W Διακόπτης ασφαλείας
  - X X Υποδοχή οδηγού
  - Y Y Διακόπτης-σκανδάλη
  - Z Z Οδηγός παράλληλης κοπής
  - AA AA Κουμπί ρύθμισης οδηγού παράλληλης κοπής
  - AB AB Άγκιστρο
  - AC AC Ένδειξη κατάστασης μπαταρίας
  - AD AD Σάκος συλλογής σκόνης\*
  - AE AE Ράγα οδηγού\*
  - AF AF Σφικτήρας ράγα οδηγού\*
- \* ΔΕΝ ΠΕΡΙΛΑΜΒΑΝΕΤΑΙ ΣΤΟ ΒΑΣΙΚΟ ΕΞΟΠΛΙΣΜΟ

## ΑΣΦΑΛΕΙΑ

### ΓΕΝΙΚΕΣ ΠΡΟΕΙΔΟΠΟΙΗΣΕΙΣ ΑΣΦΑΛΕΙΑΣ ΓΙΑ ΗΛΕΚΤΡΙΚΑ ΕΡΓΑΛΕΙΑ

**ΠΡΟΕΙΔΟΠΟΙΗΣΗ** Μελετήστε όλες τις προειδοποιήσεις ασφάλειας, τις οδηγίες, τις εικόνες και τις προδιαγραφές που συνοδεύουν αυτό το ηλεκτρικό εργαλείο. Εάν δεν τηρηθούν όλες οι οδηγίες που αναφέρονται παρακάτω, μπορεί να προκληθεί ηλεκτροπληξία, πυρκαγιά και/ή σοβαρός τραυματισμός.

### Φυλάξτε όλες τις προειδοποιήσεις και τις οδηγίες για μελλοντική αναφορά.

Ο όρος «ηλεκτρικό εργαλείο» στις προειδοποιήσεις αναφέρεται στο ηλεκτρικό σας εργαλείο που λειτουργεί είτε με σύνδεση σε πρίζα (ενσύρματα) είτε με μπαταρίες (ασύρματα).

#### 1) ΑΣΦΑΛΕΙΑ ΣΤΟ ΧΩΡΟ ΕΡΓΑΣΙΑΣ

- Διατηρείτε το χώρο εργασίας καθαρό και καλά φωτισμένο.** Οι ακατάστατοι χώροι και οι χώροι με κακό φωτισμό ενισχύουν την πιθανότητα ατυχημάτων.
- Μην χρησιμοποιείτε ηλεκτρικά εργαλεία σε εκρηκτική ατμόσφαιρα, για παράδειγμα, παρουσία εύφλεκτων υγρών, αερίων ή σκόνης.** Τα ηλεκτρικά εργαλεία δημιουργούν σπινθήρες που μπορεί να αναφλέξουν τη σκόνη ή τις αναθυμιάσεις.
- Διατηρείτε τα παιδιά και τους παρευρισκόμενους μακριά, όταν χρησιμοποιείτε το ηλεκτρικό εργαλείο.** Εάν κάτι αποσπάσει την προσοχή σας, μπορεί να χάσετε τον έλεγχο.

#### 2) ΗΛΕΚΤΡΙΚΗ ΑΣΦΑΛΕΙΑ

- Το φως του ηλεκτρικού εργαλείου πρέπει να ταιριάζει στην πρίζα. Μην τροποποιήσετε ποτέ και με κανέναν τρόπο το φως. Μην χρησιμοποιείτε κανενός είδους βύσματα προσαρμογών με γειωμένα ηλεκτρικά εργαλεία.** Τα μη τροποποιημένα φως και οι κατάλληλες πρίζες μειώνουν τον κίνδυνο ηλεκτροπληξίας.
  - Αποφύγετε την επαφή με γειωμένες επιφάνειες, όπως σωλήνες, θερμαντικά σώματα, εστίες και ψυγεία.** Υπάρχει αυξημένος κίνδυνος ηλεκτροπληξίας όταν το σώμα σας είναι γειωμένο.
  - Μην εκθέτετε τα ηλεκτρικά εργαλεία σε βροχή ή υγρασία.** Εάν εισχωρήσει νερό στο ηλεκτρικό εργαλείο θα αυξηθεί ο κίνδυνος ηλεκτροπληξίας.
  - Μην κακομεταχειρίζεστε το καλώδιο. Μην χρησιμοποιείτε ποτέ το καλώδιο για να μεταφέρετε, να τραβήξετε ή να αποσυνδέσετε το ηλεκτρικό εργαλείο από την πρίζα. Διατηρείτε το καλώδιο μακριά από θερμότητα, λάδια, αιχμηρές γωνίες ή κινούμενα εξαρτήματα.** Τα κατεστραμμένα ή μπλεγμένα καλώδια αυξάνουν τον κίνδυνο ηλεκτροπληξίας.
  - Όταν χρησιμοποιείτε ένα ηλεκτρικό εργαλείο σε εξωτερικό χώρο, χρησιμοποιείτε καλώδιο προέκτασης κατάλληλο για χρήση σε εξωτερικούς χώρους.** Τα καλώδια που είναι κατάλληλα για εξωτερικούς χώρους περιορίζουν τον κίνδυνο ηλεκτροπληξίας.
  - Εφόσον δεν μπορείτε να αποφύγετε τη χρήση του ηλεκτρικού εργαλείου σε περιοχή με υγρασία, χρησιμοποιείτε τροφοδοσία με διάταξη προστασίας ρεύματος διαρροής (RCD). Η χρήση διάταξης RCD μειώνει τον κίνδυνο ηλεκτροπληξίας.**
- #### 3) ΠΡΟΣΩΠΙΚΗ ΑΣΦΑΛΕΙΑ
- Να βρίσκεστε πάντα σε εγρήγορση, να προσέχετε τι κάνετε και να εφαρμόζετε κοινή λογική όταν χρησιμοποιείτε ηλεκτρικά εργαλεία. Μην χρησιμοποιείτε κανένα ηλεκτρικό εργαλείο όταν είστε κουρασμένοι ή υπό την επίρροια ναρκωτικών, αλκοόλ ή φαρμάκων. Όταν χρησιμοποιείτε ηλεκτρικά εργαλεία, μια**

στιγμή απροσεξίας μπορεί να προκαλέσει σοβαρό τραυματισμό.

- b) **Χρησιμοποιείτε μέσα ατομικής προστασίας. Φοράτε πάντα προστασία των ματιών.** Τα μέσα ατομικής προστασίας, όπως η μάσκα σκόνης, τα αντιολισθητικά παπούτσια, το κράνος ή η ωποπροστασία, που χρησιμοποιούνται στις κατάλληλες περιπτώσεις, μειώνουν τον κίνδυνο τραυματισμών.
- c) **Λαμβάνετε μέτρα για να μην ενεργοποιηθεί κατά λάθος το ηλεκτρικό εργαλείο. Βεβαιώνετε ότι ο διακόπτης βρίσκεται στη θέση απενεργοποίησης (ΟΦπροτού να συνδέσετε το ηλεκτρικό εργαλείο στο ρεύμα και/ή στη συστοιχία μπαταριών, ή όταν σκάνετε ή μεταφέρετε το εργαλείο.** Μην μεταφέρετε το ηλεκτρικό εργαλείο με το δάκτυλο στο διακόπτη και μην συνδέετε το ηλεκτρικό εργαλείο στην πρίζα με ανοικτό το διακόπτη, διότι ενέχει κίνδυνο ατυχήματος.
- d) **Προτού ενεργοποιήσετε το ηλεκτρικό εργαλείο, αφαιρέτε οποιοδήποτε εργαλείο ή κλειδί ρύθμισης.** Εάν το εργαλείο ή το κλειδί ρύθμισης παραμείνει επάνω στο περιστρεφόμενο μέρος του ηλεκτρικού εργαλείου, μπορεί να προκληθεί τραυματισμός.
- e) **Μην τεντώνετε υπερβολικά για να πραγματοποιήσετε την εργασία. Πατάτε πάντα σταθερά και διατηρείτε την ισορροπία σας.** Έτσι θα ελέγχετε καλύτερα το ηλεκτρικό εργαλείο σε περίπτωση απροσδόκητων καταστάσεων.
- f) **Φοράτε κατάλληλα ρούχα. Μην φοράτε φαρδιά ρούχα ή κοσμήματα. Διατηρείτε τα μαλλιά και τα ρούχα σας μακριά από κινούμενα μέρη.** Τα φαρδιά ρούχα, τα κοσμήματα ή τα μαλλιά ενδέχεται να εμπλακούν σε κινούμενα μέρη.
- g) **Εάν υπάρχει δυνατότητα σύνδεσης συσκευών απομάκρυνσης και συλλογής της σκόνης, βεβαιωθείτε ότι αυτές οι συσκευές έχουν συνδεθεί και χρησιμοποιούνται σωστά.** Αυτές οι συσκευές μπορούν να περιορίσουν τους κίνδυνους που σχετίζονται με τη σκόνη.
- h) **Ακόμα κι εάν χρησιμοποιείτε συχνά ηλεκτρικά εργαλεία, μην εφησυχάζετε και μην αγνοείτε τις βασικές αρχές ασφαλείας που διέπουν τη χρήση τους.** Μια στιγμή απροσεξίας μπορεί να οδηγήσει σε σοβαρό τραυματισμό.

#### 4) ΧΡΗΣΗ ΚΑΙ ΦΡΟΝΤΙΔΑ ΤΟΥ ΗΛΕΚΤΡΙΚΟΥ ΕΡΓΑΛΕΙΟΥ

- a) **Μην ζορίζετε το ηλεκτρικό εργαλείο. Χρησιμοποιείτε το κατάλληλο ηλεκτρικό εργαλείο για την εκάστοτε εργασία.** Η εργασία θα πραγματοποιηθεί καλύτερα και ασφαλέστερα, εφόσον χρησιμοποιηθεί το κατάλληλο ηλεκτρικό εργαλείο στην ταχύτητα για την οποία έχει σχεδιαστεί.
- b) **Μην χρησιμοποιείτε το ηλεκτρικό εργαλείο εάν δεν μπορείτε να το ενεργοποιήσετε και να το απενεργοποιήσετε από το διακόπτη.** Οποιοδήποτε ηλεκτρικό εργαλείο δεν επιδέχεται έλεγχο από το διακόπτη είναι επικίνδυνο και απαιτεί επισκευή.
- c) **Αποσυνδέετε το φως από την πηγή ρεύματος και/ή αφαιρείτε τη συστοιχία μπαταριών, εφόσον είναι αποσπώμενη, από το ηλεκτρικό εργαλείο προτού να κάνετε οποιαδήποτε ρύθμιση, αλλάξετε παρελκόμενα ή το αποθηκεύσετε.** Χάρη σε

τέτοια προληπτικά μέτρα περιορίζεται ο κίνδυνος να ενεργοποιηθεί κατά λάθος το ηλεκτρικό εργαλείο.

- d) **Αποθηκεύετε τα ηλεκτρικά εργαλεία που δεν χρησιμοποιείτε σε μέρος όπου δεν έχουν πρόσβαση τα παιδιά και μην αφήνετε άτομα που δεν είναι εξοικειωμένα με το ηλεκτρικό εργαλείο ή αυτές τις οδηγίες να το χρησιμοποιήσουν.** Τα ηλεκτρικά εργαλεία είναι επικίνδυνα στα χέρια ατόμων που δεν έχουν εκπαιδευτεί στη χρήση τους.
  - e) **Συντηρείτε τα ηλεκτρικά εργαλεία και τα παρελκόμενα. Ελέγχετε για κακή ευθυγράμμιση ή εμπλοκή των κινούμενων εξαρτημάτων, για σπασμένα εξαρτήματα και για κάθε άλλη κατάσταση που μπορεί να επηρεάσει τη λειτουργία του ηλεκτρικού εργαλείου. Εάν το ηλεκτρικό εργαλείο έχει υποστεί ζημιά, επισκευάστε το προτού να το χρησιμοποιήσετε.** Πολλά ατυχήματα οφείλονται σε πλημμελώς συντηρημένα ηλεκτρικά εργαλεία.
  - f) **Διατηρείτε τα εργαλεία κοπής αιχμηρά και καθαρά.** Τα εργαλεία κοπής που έχουν συντηρηθεί σωστά και διαθετούν αιχμηρές κόψεις είναι λιγότερο πιθανό να μπλοκάρουν, ενώ ο έλεγχός τους είναι ευκολότερος.
  - g) **Χρησιμοποιείτε το ηλεκτρικό εργαλείο, τα παρελκόμενα, τις μύτες, κτλ., σύμφωνα με αυτές τις οδηγίες, λαμβάνοντας υπόψη τις συνθήκες εργασίας και την προς εκτέλεση εργασία.** Η χρήση ενός ηλεκτρικού εργαλείου για σκοπούς διαφορετικούς από τους προβλεπόμενους μπορεί να οδηγήσει σε επικίνδυνες καταστάσεις.
  - h) **Διατηρείτε τις λαβές και τις επιφάνειες συγκράτησης του εργαλείου στεγνές και καθαρές, χωρίς λάδια και γρῶσα.** Εάν γλιστρούν οι λαβές και οι επιφάνειες συγκράτησης δε θα μπορούσατε να χειριστείτε με ασφάλεια το εργαλείο, ούτε θα μπορούσατε να το ελέγξετε σε περίπτωση που προκύψει κάποια απροσδόκητη κατάσταση.
- #### 5) ΧΡΗΣΗ ΚΑΙ ΦΡΟΝΤΙΔΑ ΗΛΕΚΤΡΙΚΩΝ ΕΡΓΑΛΕΙΩΝ ΜΠΑΤΑΡΙΑΣ
- a) **Επαναφορτίζετε το ηλεκτρικό εργαλείο μόνο με το φορτιστή που έχει καθορίσει ο κατασκευαστής.** Οι φορτιστές που είναι κατάλληλοι για έναν συγκεκριμένο τύπο συστοιχίας μπαταριών μπορεί να προκαλέσουν πυρκαγιά εάν χρησιμοποιηθούν για κάποιο άλλον τύπο.
  - b) **Χρησιμοποιείτε το ηλεκτρικό εργαλείο μόνο με τη συγκεκριμένη συστοιχία μπαταριών που προορίζεται για αυτό.** Εάν χρησιμοποιηθεί οποιαδήποτε άλλη συστοιχία μπαταριών, μπορεί να προκληθεί τραυματισμός και πυρκαγιά.
  - c) **Όταν η συστοιχία μπαταριών δεν χρησιμοποιείται, φυλάσσετε την μακριά από μεταλλικά αντικείμενα, όπως, συνδετήρες, κέρματα, κλειδιά, καρφιά, βίδες ή άλλα μικρά μεταλλικά αντικείμενα, τα οποία μπορεί να δημιουργήσουν σύνδεση μεταξύ των ακροδεκτών.** Το βραχυκύκλωμα των ακροδεκτών της συστοιχίας μπαταριών μπορεί να προκαλέσει εγκαυματα ή πυρκαγιά.
  - d) **Σε συνθήκες κακής χρήσης, μπορεί να διαρρεύσει υγρό από τη συστοιχία μπαταριών. Αποφύγετε την επαφή με αυτό. Σε περίπτωση τυχιαίας επαφής, ξεπλύνετε καλά με νερό. Εάν το υγρό**



έρθει σε επαφή με τα μάτια, αναζητήστε επιπλέον ιατρική βοήθεια. Το υγρό που διαρρέει από τη συστοιχία μπαταριών μπορεί να προκαλέσει ερεθισμό ή εγκαύματα.

- e) **Μην χρησιμοποιείτε τη συστοιχία μπαταριών ή το εργαλείο εάν έχουν υποστεί ζημιά ή έχουν τροποποιηθεί.** Οι συστοιχίες μπαταριών που έχουν υποστεί ζημιά ή έχουν τροποποιηθεί μπορεί να έχουν απρόβλεπτη συμπεριφορά και να προκαλέσουν πυρκαγιά, έκρηξη ή τραυματισμό.
  - f) **Η συστοιχία μπαταριών και το ηλεκτρικό εργαλείο δεν πρέπει να εκτίθενται σε φωτιά ή ακραίες θερμοκρασίες.** Η έκθεση σε φωτιά ή θερμοκρασία πάνω από 130 °C μπορεί να προκαλέσει έκρηξη.
  - g) **Πρέπει όλες τις οδηγίες φόρτισης και μην φορτίζετε τη συστοιχία μπαταριών ή το ηλεκτρικό εργαλείο εκτός του εύρους θερμοκρασίας που καθορίζεται στις οδηγίες.** Εάν η φόρτιση δε γίνει σωστά ή πραγματοποιηθεί σε θερμοκρασία εκτός του καθορισμένου εύρους, η συστοιχία μπαταριών μπορεί να υποστεί ζημιά και να αυξηθεί ο κίνδυνος πυρκαγιάς.
- 6) ΣΕΡΒΙΣ**
- a) **Το ηλεκτρικό εργαλείο πρέπει να επισκευάζεται μόνο από εξειδικευμένο επαγγελματία, χρησιμοποιώντας μόνο πανομοιότυπα ανταλλακτικά.** Έτσι, το ηλεκτρικό σας εργαλείο θα παραμείνει ασφαλές.
  - b) **Μην επιχειρήσετε ποτέ να επισκευάσετε συστοιχία μπαταριών που έχει υποστεί ζημιά.** Η συστοιχία μπαταριών πρέπει να επισκευάζεται μόνο από τον κατασκευαστή ή από εξουσιοδοτημένα κέντρα σέρβις.

## ΠΡΟΕΙΔΟΠΟΙΗΣΕΙΣ ΑΣΦΑΛΕΙΑΣ ΓΙΑ ΑΣΥΡΜΑΤΑ ΔΙΣΚΟΠΡΙΟΝΑ

### 1) ΔΙΑΔΙΚΑΣΙΕΣ ΚΟΠΗΣ

- a) **ΚΙΝΔΥΝΟΣ:** Διατηρείτε τα χέρια μακριά από την περιοχή κοπής και τη λάμα. Διατηρείτε το δεύτερο χέρι σας πάνω στη βοηθητική λαβή ή το περίβλημα κινητήρα. Εάν κρατάτε το πριόνι και με τα δύο χέρια, δεν κινδυνεύουν να κοπούν με τη λάμα.
- b) **Μην βάζετε τα χέρια σας κάτω από το κατεργαζόμενο τεμάχιο.** Το προστατευτικό δεν μπορεί να σας προστατεύσει από τη λάμα κάτω από το κατεργαζόμενο τεμάχιο.
- c) **Προσαρμόζετε το βάθος κοπής στο πάχος του κατεργαζόμενου τεμαχίου.** Κάτω από το κατεργαζόμενο τεμάχιο πρέπει να φαίνεται λιγότερο από μια ολόκληρη οδόντωση των οδοντώσεων της λάμας.
- d) **Μην κρατάτε ποτέ στα χέρια σας ή πάνω από τα πόδια σας το κατεργαζόμενο τεμάχιο που κόβετε.** Ασφαλίστε το κατεργαζόμενο τεμάχιο σε μια σταθερή βάση. Είναι σημαντικό να υποστηρίζετε σωστά το κατεργαζόμενο τεμάχιο, ώστε να ελαχιστοποιηθεί η έκθεση του σώματος, του μπλοκάρισμα της λάμας ή η απώλεια ελέγχου.
- e) **Κρατάτε το ηλεκτρικό εργαλείο μόνο από τις προβλεπόμενες μονωμένες επιφάνειες** όταν εκτελείτε εργασίες όπου υπάρχει κίνδυνος το εργαλείο κοπής να έλθει σε επαφή με κρυφά

ηλεκτροφόρα καλώδια ή το δικό του ηλεκτρικό καλώδιο (η επαφή με ηλεκτροφόρα καλώδια θα καταστήσει τα εκτεθειμένα μεταλλικά μέρη του ηλεκτρικού εργαλείου επίσης ηλεκτροφόρα, με συνέπεια να προκληθεί ηλεκτροπληξία στο χειριστή)

- f) **Κατά την απόσχιση, χρησιμοποιείτε πάντα οδηγό παράλληλης κοπής ή οδηγό ευθείας ακμής.** Έτσι βελτιώνεται η ακρίβεια κοπής και μειώνεται η πιθανότητα μπλοκαρίσματος της λάμας.
- g) **Χρησιμοποιείτε πάντοτε λάμες με το κατάλληλο μέγεθος και σχήμα (διαμαντιού έναντι στρογγυλού) οπών άξονα.** Οι λάμες που δεν ταιριάζουν με το υλικό τοποθέτησης του δισκοπριονίου, θα αποκλίνουν από το κέντρο, προκαλώντας απώλεια ελέγχου.
- h) **Μην χρησιμοποιείτε ποτέ φαρμακείο ή λάθος ροδέλες ή μπουλόνια λαμών.** Οι ροδέλες και τα μπουλόνια των λαμών είναι ειδικά σχεδιασμένα για το πριόνι σας, με σκοπό τη βέλτιστη απόδοση και ασφάλεια λειτουργίας.

### 2) ΑΙΤΙΕΣ ΑΝΤΙΛΑΚΤΗΣΗΣ ΚΑΙ ΣΧΕΤΙΚΕΣ ΠΡΟΕΙΔΟΠΟΙΗΣΕΙΣ

- Η αντίλακτιση είναι μια ξαφνική αντίδραση σε μια μαγκωμένη, δεσμευμένη ή λάθος ευθυγραμμισμένη πριονολάμα, που προκαλεί ανεξέλεγκτη ανύψωση και έξοδο του πριονιού από το τεμάχιο επεξεργασίας με κατεύθυνση προς το χειριστή
  - Όταν η λάμα είναι μαγκωμένη ή μπλοκαρισμένη στην εγκοπή που κλείνει, παρεμποδίζεται και η αντίδραση του κινητήρα ωθεί τη μονάδα με ταχύτητα προς το χειριστή
  - Εάν η λάμα συστραφεί ή ευθυγραμμιστεί λάθος στην εγκοπή, η οδόντωση στην πίσω άκρη της λάμας μπορεί να διεισδύσει στην επάνω επιφάνεια του ξύλου, προκαλώντας την έξοδο της λάμας από την εγκοπή και την εξώθησή της με δύναμη προς το χειριστή
  - Το λάκτισμα αποτελεί συνέπεια κακομεταχείρισης ή λάθος χειρισμού του ηλεκτρικού εργαλείου και μπορεί να αποφευχθεί λαμβάνοντας τα κατάλληλα προληπτικά μέτρα, όπως αυτά που περιγράφονται παρακάτω.
- a) **Διατηρείτε σταθερή λαβή και με τα δύο χέρια στο δισκοπρίονο και τοποθετείτε τα χέρια σας με τέτοιο τρόπο, ώστε να αντιστέκεστε στις δυνάμεις αντίλακτισης. Τοποθετείτε το σώμα σας σε οποιαδήποτε πλευρά της λάμας, ωστόσο ποτέ σε ευθεία με αυτήν.** Η αντίλακτιση μπορεί να ωθήσει το πριόνι απότομα προς τα πίσω, ωστόσο οι δυνάμεις αντίλακτισης μπορούν να ελεγχθούν από το χειριστή, εφόσον ληφθούν τα κατάλληλα μέτρα.
  - b) **Όταν η λάμα είναι μαγκωμένη ή η κοπή διακόπτεται για οποιοδήποτε λόγο, αποδεσμεύετε τη σκανδάλη ενεργοποίησης και διατηρείτε ακίνητο το δισκοπρίονο στο υλικό, ώσπου να ακινητοποιηθεί πλήρως η λάμα. Μην επιχειρήσετε ποτέ να αφαιρέσετε το πριόνι από το τεμάχιο επεξεργασίας ή να τραβήξετε το πριόνι προς τα πίσω ενώ η λάμα κινείται, γιατί μπορεί να προκληθεί αντίλακτιση.** Διερευνήστε και λάβετε διορθωτικά μέτρα για να εξαλείψετε την αιτία του μαγκώματος λάμας. Αποφύγετε την κοπή καρφιών ή βιδών.
  - c) **Κατά την επανεκκίνηση ενός δισκοπριονίου στο κατεργαζόμενο τεμάχιο, κεντράρετε την πριονολάμα στην κοπή και βεβαιώστε ότι οι**



**οδοντώσεις του δισκοπρίονου δεν μαγκώνουν στο υλικό.** Εάν η πριονολάμα μαγκώσει, μπορεί να σκαρφάλωσει στο κατεργαζόμενο τεμάχιο ή να προκληθεί αντιλάκτιση καθώς επανεκκινείται το πριόνι.

- d) **Υποστηρίζετε τα μεγάλα πάνελ προκειμένου να ελαχιστοποιείτε τον κίνδυνο μαγκώματος ή αντιλάκτισης της λάμας.** Τα μεγάλα πάνελ τείνουν να «κάνουν κοιλιά» λόγω του βάρους τους. Οι υποστηρίξεις πρέπει να τοποθετούνται κάτω από το πάνελ και στις δύο πλευρές, κοντά στη γραμμή κοπής και στην άκρη του πάνελ.
- e) **Μη χρησιμοποιείτε στομωμένες ή φθαρμένες λάμες.** Οι ατρόχιστες ή λάθος τοποθετημένες λάμες δημιουργούν ρηχή εγκοπή που προκαλεί υπερβολική τριβή, εμπλοκή της λάμας και αντιλάκτιση.
- f) στ) **Οι μοχλοί ασφάλισης ρύθμισης βάθους λάμας και λοξοτομής πρέπει να είναι καλά συσφιγμένοι και ασφαλείς προτού πραγματοποιήσετε την κοπή.** Εάν η ρύθμιση της λάμας μετατοπιστεί κατά τη διάρκεια της κοπής, μπορεί να προκληθεί μάγκωμα και αντιλάκτιση.
- g) **Να είστε ιδιαίτερα προσεκτικοί κατά το πριόνισμα σε υπάρχοντες τοίχους ή άλλες τυφλές περιοχές.** Η λάμα που προεξέχει μπορεί να κόψει αντικείμενα που μπορεί να προκαλέσουν αντιλάκτιση.

### 3) ΛΕΙΤΟΥΡΓΙΑ ΤΟΥ ΚΑΤΩ ΠΡΟΣΤΑΤΕΥΤΙΚΟΥ

- a) **Πριν από κάθε χρήση, ελέγχετε εάν το κάτω προστατευτικό κλείνει καλά. Μην χρησιμοποιείτε το πριόνι εάν κάτω προστατευτικό δεν κινείται ελεύθερα και κλείνει αμέσως. Ποτέ μην σταθεροποιείτε ή δεσμεύετε το κάτω προστατευτικό στην ανοιχτή θέση.** Εάν το δισκοπρίονο πέσει κατά λάθος, το κάτω προστατευτικό μπορεί να στραβώσει. Σηκώστε το κάτω προστατευτικό με τη λαβή ανασυρσης και εξασφαλίστε ότι κινείται ελεύθερα και δεν αγγίζει τη λάμα ή οποιοδήποτε άλλο εξάρτημα, σε όλες τις γωνίες και τα βάθη κοπής.
- b) **Ελέγχετε τη λειτουργία του ελατηρίου του κάτω προστατευτικού. Εάν το προστατευτικό και το ελατήριο δεν λειτουργούν σωστά, τότε απαιτείται η συντήρησή τους πριν από τη χρήση.** Το κάτω προστατευτικό μπορεί να λειτουργεί με δυσκολία λόγω φθαρμένων εξαρτημάτων, κολλωδών εναποθέσεων ή συσσώρευσης υπολειμμάτων.
- c) **Το κάτω προστατευτικό πρέπει να ανασυρθεί χειροκίνητα μόνο για ειδικές κοπές όπως βυθισμένες ή πολλαπλές κοπές. Σηκώστε το κάτω προστατευτικό από τη λαβή ανασυρσης και μόλις η λάμα εισέλθει στο υλικό, αποδεσμεύστε το κάτω προστατευτικό.** Για όλα τα υπόλοιπα είδη κοπής, το κάτω προστατευτικό πρέπει να λειτουργεί αυτόματα.
- d) **Βεβαιώστε πάντα ότι το κάτω προστατευτικό καλύπτει τη λάμα προτού να αποθέσετε το δισκοπρίονο στον πάγκο ή το δάπεδο.** Μια απροσάλευτα λάμα που κινείται ελεύθερα μπορεί να προκαλέσει μετακίνηση του πριονιού προς τα πίσω, κόβοντας ότι συναντάει στη διαδρομή του. Λαμβάνετε υπόψη το χρόνο που χρειάζεται η λάμα για να σταματήσει αφότου αποδεσμευτεί ο διακόπτης.

### ΕΠΙΠΡΟΣΘΕΤΕΣ ΠΡΟΕΙΔΟΠΟΙΗΣΕΙΣ ΑΣΦΑΛΕΙΑΣ

#### ΓΕΝΙΚΑ

- Αυτό το εργαλείο δεν πρέπει να χρησιμοποιείται από άτομα κάτω των 16 ετών
- Αυτό το εργαλείο δεν είναι κατάλληλο για υγρή κοπή
- **Μην κατεργάζεστε υλικά που περιέχουν αμιάντο** (ο αμιάντος θεωρείται καρκινογόνος)
- Η σκόνη από υλικά όπως μπετόλιθ, πλινθιά, ανόργανα στοιχεία και μέταλλα μπορεί να είναι επιβλαβή (η επαφή ή η εισπνοή της σκόνης μπορεί να προκαλέσει αλλεργικές αντιδράσεις ή/και αναπνευστικές ασθένειες στο χειριστή ή σε παριστάμενους). **Φοράτε μάσκα προστασίας από τη σκόνη και χρησιμοποιείτε συσκευή αναρρόφησης σκόνης, εφόσον επιδέχεται σύνδεση**
- Ορισμένα είδη σκόνης ταξινομούνται ως καρκινογόνα (όπως η σκόνη από δρυ ή οξιά) ιδιαίτερα σε συνδυασμό με πρόσθετα συντήρησης ξύλου. **Φοράτε μάσκα προστασίας από τη σκόνη και χρησιμοποιείτε συσκευή αναρρόφησης σκόνης, εφόσον επιδέχεται σύνδεση**
- Τηρείτε τις σχετικές με σκόνη εθνικές διατάξεις για τα υλικά που θέλετε να χρησιμοποιήσετε
- Μην χρησιμοποιείτε αυτό το δισκοπρίονο σε συνδυασμό με πάγκο πριονιού
- Αφαιρείτε την μπαταρία από το ηλεκτρικό εργαλείο προτού να κάνετε οποιαδήποτε ρύθμιση ή αλλάξετε παρελκόμενα

#### ΠΑΡΕΛΚΟΜΕΝΑ

- Η SKIL εγγυάται την απρόσκοπτη λειτουργία του ηλεκτρικού εργαλείου μόνο εφόσον χρησιμοποιούνται γνήσια παρελκόμενα
- Χρησιμοποιείτε μόνο πριονολάμες που ανταποκρίνονται στα τεχνικά χαρακτηριστικά που αναφέρονται σε αυτές τις οδηγίες χρήσης, και οι οποίες έχουν ελεγχθεί και επισημανθεί σύμφωνα με το πρότυπο EN 847-1
- Χρησιμοποιείτε μόνο παρελκόμενα των οποίων η επιτρεπόμενη ταχύτητα ισούται τουλάχιστον με τη μέγιστη ταχύτητα χωρίς φορτίο του ηλεκτρικού εργαλείου
- Χρησιμοποιείτε μόνο πριονολάμες με ελάχιστη διάμετρο 184 mm, μέγιστη διάμετρο 184 mm και οπή ατράκτου 16 mm
- Μην χρησιμοποιείτε πριονολάμες από χάλυβα ταχείας κοπής (HSS)
- Μην χρησιμοποιείτε ποτέ δίσκους τροχίσματος/κοπής με αυτό το ηλεκτρικό εργαλείο

#### ΠΡΙΝ ΑΠΟ ΤΗ ΧΡΗΣΗ

- Αποφεύγετε ζημιές από βίδες, καρφιά και άλλα στοιχεία που ενδέχεται να υπάρχουν στο τεμάχιο επεξεργασίας, αφαιρώντας τα προτού ξεκινήσετε την εργασία
- Αφαιρείτε όλα τα εμπόδια επάνω και κάτω από τη γραμμή κοπής, προτού να ξεκινήσετε την κοπή
- **Ασφαλίστε το τεμάχιο επεξεργασίας** (αυτό συγκρατείται ασφαλέστερα με σφιγκτήρες ή μέγγνεη παρά με τα χέρια)
- **Χρησιμοποιείτε κατάλληλες συσκευές ανίχνευσης για να εντοπίσετε κρυφές γραμμές ρεύματος, αερίου ή νερού** (η επαφή με καλώδια ρεύματος μπορεί να οδηγήσει σε πυρκαγιά ή ηλεκτροπληξία, ενώ οι ζημιές σε αγωγούς αερίου μπορεί να οδηγήσουν σε έκρηξη, και η διάτρηση ενός σωλήνα νερού θα προκαλέσει υλικές ζημιές ή ηλεκτροπληξία)

#### ΚΑΤΑ ΤΗ ΔΙΑΡΚΕΙΑ ΤΗΣ ΧΡΗΣΗΣ

- Το επίπεδο θορύβου κατά τη διάρκεια της εργασίας μπορεί να ξεπεράσει τα 85 dB(A). Φοράτε ωτοαπίδες
- Μην χρησιμοποιείτε ποτέ το ηλεκτρικό εργαλείο χωρίς

το γνήσιο σύστημα καλύπτρας

- Μην επιχειρήσετε να κόψετε εξαιρετικά μικρά τεμάχια επεξεργασίας
- Μην χρησιμοποιείτε το ηλεκτρικό εργαλείο σε ύψος πάνω από το κεφάλι σας
- Σε περίπτωση εμπλοκής, ηλεκτρικής ή μηχανικής δυσλειτουργίας, απενεργοποιείτε αμέσως το ηλεκτρικό εργαλείο και αφαιρείτε τη συστοιχία μπαταριών

#### ΜΕΤΑ ΤΗ ΧΡΗΣΗ

- Όταν πρόκειται να αποθηκεύσετε το ηλεκτρικό εργαλείο, απενεργοποιείτε τον κινητήρα και βεβαιώνετε ότι όλα τα κινούμενα μέρη του έχουν ακινητοποιηθεί πλήρως
- Αφού απενεργοποιήσετε το δισκοπρίονο, μην επιχειρήσετε ποτέ να σταματήσετε την περιστροφή της πριονολάμας εφαρμόζοντας εγκάρσια δύναμη σε αυτήν

#### ΜΠΑΤΑΡΙΕΣ

- Η παρεχόμενη συστοιχία μπαταριών είναι μερικής φορτισμένη (για να διασφαλιστεί η μέγιστη ισχύς της συστοιχίας μπαταριών, φορτίστε την πλήρως με τον φορτιστή της πριν από τη χρήση του ηλεκτρικού εργαλείου σας για πρώτη φορά)
- Χρησιμοποιείτε μόνο τις ακόλουθες συστοιχίες μπαταριών και τους ακόλουθους φορτιστές με αυτό το ηλεκτρικό εργαλείο
  - Συστοιχία μπαταριών SKIL: BR1\*31\*\*\*\*
  - Φορτιστής SKIL: CR1\*31\*\*\*\*
- Μην χρησιμοποιείτε τη συστοιχία μπαταριών όταν έχει υποστεί βλάβη. Πρέπει να την αντικαθίσετε
- Μην αποσυναρμολογείτε τη συστοιχία μπαταριών
- Μην εκθέτετε το ηλεκτρικό εργαλείο / την μπαταρία σε βροχή
- Επιτρεπόμενη θερμοκρασία περιβάλλοντος (ηλεκτρικό εργαλείο / φορτιστής / συστοιχία μπαταριών):
  - κατά τη διάρκεια της φόρτισης 4...40°C
  - κατά τη διάρκεια της λειτουργίας -20...+50°C
  - κατά τη διάρκεια της αποθήκευσης -20...+50°C

#### ΕΠΕΞΗΓΗΣΗ ΣΥΜΒΟΛΩΝ ΣΤΟ ΕΡΓΑΛΕΙΟ / ΤΗΝ

#### ΜΠΑΤΑΡΙΑ

- ③ Διαβάστε το εγχειρίδιο οδηγιών πριν από τη χρήση
- ④ Οι συστοιχίες μπαταριών εκρήγνυνται εάν απορριφθούν στη φωτιά, συνενψες, μην καίτε τις μπαταρίες για κανένα λόγο
- ⑤ Αποθηκεύετε το ηλεκτρικό εργαλείο / το φορτιστή / τη συστοιχία μπαταριών σε μέρη όπου η θερμοκρασία δεν θα ξεπεράσει τους 50°C
- ⑥ Μην απορρίπτετε τα ηλεκτρικά εργαλεία και τις συστοιχίες μπαταριών στα οικιακά απορρίμματα

#### ΧΡΗΣΗ

- Φόρτιση της συστοιχίας μπαταριών  
**! διαβάστε τις προειδοποιήσεις ασφαλείας και τις οδηγίες που παρέχονται με το φορτιστή**
- Αφαίρεση/τοποθέτηση της συστοιχίας μπαταριών ②
- Τοποθέτηση πριονολάμας ②  
**! αφαιρέστε τη συστοιχία μπαταριών από το εργαλείο**
  - πάρτε το εξάγωνο κλειδί Α από τη θήκη αποθήκευσης Β
  - πιέστε το κουμπί ασφάλισης της ατράκτου C και κρατήστε το πατημένο καθώς αφαιρείτε το μπουλόνι λάμας D, μετακινώντας το εξάγωνο κλειδί Α ΑΡΙΣΤΕΡΟΣΤΡΟΦΑ (δηλαδή, στην ίδια κατεύθυνση με το βέλος που υπάρχει τυπωμένο στην πριονολάμα)

**! πιέζετε το κουμπί ασφάλισης της ατράκτου C μόνο όταν το εργαλείο είναι ακινητοποιημένο**  
- αποδεσμεύστε το κουμπί ασφάλισης της ατράκτου C  
- αφαιρέστε τη φλάντζα E

**! βεβαιωθείτε ότι οι επιφάνειες σύσφιξης Η των φλαντζών είναι εντελώς καθαρές και στραμμένες προς τη λάμα**

- ανοίξτε το κάτω προστατευτικό F με το μοχλό G και κρατάτε το καθώς τοποθετείτε την πριονολάμα, με τις οδοντώσεις και το βέλος που υπάρχει σε αυτήν να δείχνουν προς την ίδια κατεύθυνση με το βέλος που υπάρχει επάνω στο κάτω προστατευτικό
- αποδεσμεύστε το κάτω προστατευτικό F
- τοποθετήστε τη φλάντζα E
- πιέστε το κουμπί ασφάλισης της ατράκτου C και κρατήστε το πατημένο καθώς συσφίγγετε το μπουλόνι λάμας με το εξάγωνο κλειδί κατά 1/8 μιας πλήρους περιστροφής πέρα από το σημείο σύσφιξης με το χέρι (έτσι διασφαλίζεται το γλιστρήμα της λάμας όταν αντιμετωπίζετε υπέρμετρη αντίσταση, αποφεύγοντας την υπερφόρτωση του κινητήρα και την αντίκλιση του πριονιού)
- αποδεσμεύστε το κουμπί ασφάλισης της ατράκτου C
- Ρύθμιση βάθους κοπής (0-66 mm) ⑦
  - για τη βέλτιστη ποιότητα κοπής, η πριονολάμα δεν πρέπει να προσέχει πάνω από 3 mm κάτω από το τεμάχιο επεξεργασίας
  - χαλαρώστε το κουμπί J
  - ανασηκώστε/βυθίστε το πέλαμ K ώσπου να επιτευχθεί το επιθυμητό βάθος κοπής υπό κλίμακα, χρησιμοποιώντας την ένδειξη L
  - συσφίξτε το κουμπί J
- Ένδειξη κατάστασης μπαταρίας ⑧
  - πιέστε το κουμπί ένδειξης κατάστασης μπαταρίας AC για να εμφανίσετε την τρέχουσα κατάσταση της μπαταρίας ⑧a
  - ! εάν αρχίσει να αναβοσβήνει το κατώτατο επίπεδο της ένδειξης κατάστασης μπαταρίας μετά το πάτημα του κουμπιού AC ⑧b, τότε η μπαταρία είναι άδεια**
  - ! εάν αρχίσει να αναβοσβήνουν 2 επίπεδα της ένδειξης κατάστασης μπαταρίας μετά το πάτημα του κουμπιού AC ⑧c, τότε η μπαταρία δε βρίσκεται εντός του επιτρεπόμενου εύρους θερμοκρασίας λειτουργίας**
- Λυχνία LED ⑩ V  
Η λυχνία LED ανάβει αυτόματα κατά την ενεργοποίηση του διακόπτη ενεργοποίησης/απενεργοποίησης  
**! όταν η λυχνία LED αρχίζει να αναβοσβήνει, ενεργοποιείται η προστασία μπαταρίας (βλ. παρακάτω)**
- Προστασία μπαταρίας  
Το εργαλείο απενεργοποιείται ξαφνικά ή δεν επιδέχεται ενεργοποίηση όταν
  - το φορτίο είναι υπερβολικά μεγάλο --> μειώστε το φορτίο και επανεκκινήστε
  - η θερμοκρασία της μπαταρίας δεν βρίσκεται εντός του επιτρεπόμενου εύρους θερμοκρασίας λειτουργίας -20 έως +50°C --> Τα 2 επίπεδα του ενδεικτικού της στάθμης της μπαταρίας αρχίζουν να αναβοσβήνουν κατά το πάτημα του πλήκτρου του κουμπιού AC ⑧c. Περιμένετε ώσπου η μπαταρία να επανέλθει εντός του επιτρεπόμενου εύρους θερμοκρασίας λειτουργίας

- η μπαταρία έχει σχεδόν αδειάσει (για προστασία από βαθιά εκφόρτιση) --> ανάβει ή αναβοσβήνει χαμηλή στάθμη μπαταρίας ⓑ b δίπλα στην ένδειξη κατάστασης μπαταρίας με το πάτημα του κουμπιού AC. Φορτίστε την μπαταρία

**! μην συνεχίσετε να πατάτε το διακόπτη ενεργοποίησης/απενεργοποίησης μετά την ενεργή απενεργοποίηση του εργαλείου, διότι μπορεί να προκληθεί βλάβη στη συστοιχία μπαταριών**

- Ρύθμιση γωνίας κοπής (0-56°) ⓐ
  - χαλαρώστε το μοχλό M
  - δώστε κλίση στο ηλεκτρικό εργαλείο ώσπου να επιτευχθεί η επιθυμητή γωνία κοπής υπό κλίμακα χρησιμοποιώντας την ένδειξη N
  - ο αποστάτης λοξοτομής 45° P παρέχει μια γρήγορη ρύθμιση για γωνία λοξοτομής 45°
  - για να ρυθμίσετε μια γωνία λοξοτομής μεγαλύτερη από 45°, περιστρέψτε τον αποστάτη λοξοτομής 45° P για να τον βγάλετε από την ένδειξη N
  - συσφίξτε το μοχλό M

**! κατά την λοξοτομή, το βάθος κοπής δεν ανταποκρίνεται στην τιμή της κλίμακας του βάθους κοπής**

- Ένδειξη γραμμής κοπής Q ⓑ
  - ώστε να κατευθύνεται το εργαλείο κατά μήκος της επιθυμητής γραμμής κοπής που έχει επισημανθεί στο κατεργαζόμενο τεμάχιο
  - για ευθεία κοπή 0° ή λοξοτομή με κλίση 45° χρησιμοποιείτε την αντίστοιχη γραμμή ένδειξης
- ! το φαρδύ μέρος του πέλματος πρέπει να εφάπτεται στο υποστηρίζόμενο μέρος του κατεργαζόμενου τεμαχίου**
- ! το πλάτος κοπής καθορίζεται από το πλάτος των οδοντώσεων και όχι από το πλάτος του σώματος της λάμας**

**! πραγματοποιείτε πάντα δοκιμαστικές κοπές για να επαληθεύετε την πραγματική γραμμή κοπής**

- Αναρρόφηση σκόνης ⓑ
  - Συνδέστε τον προσαρμογέα ηλεκτρικής σκούπας R στο δισκοπρίο με τη σταυρόβίδα

Για να χρησιμοποιήσετε ηλεκτρική σκούπα

- συνδέστε το σωλήνα της ηλεκτρικής σκούπας στον προσαρμογέα ηλεκτρικής σκούπας R

**! ο σωλήνας της ηλεκτρικής σκούπας δεν πρέπει να εμποδίζει ποτέ το κάτω προστατευτικό ή τη διαδικασία κοπής**

Σάκος συλλογής σκόνης

- τοποθετήστε το σάκο συλλογής σκόνης AD

- Χειρισμός του εργαλείου
  - τοποθετήστε τη συστοιχία μπαταριών
  - κρατάτε πάντα γερά τη λαβή S με το ένα χέρι και τη λαβή T με το άλλο χέρι
  - τοποθετήστε το ηλεκτρικό εργαλείο με το εμπρός μέρος του πέλματος επίπεδα επάνω στο κατεργαζόμενο τεμάχιο

**! βεβαιωθείτε ότι οι οδοντώσεις της πριονολάμας δεν έχουν σφηνώσει στο κατεργαζόμενο τεμάχιο**

- ενεργοποιήστε το ηλεκτρικό εργαλείο πιέζοντας πρώτα το διακόπτη ασφαλείας W και, στη συνέχεια, τραβώντας τη σκανδάλη X

**! το εργαλείο πρέπει να λειτουργεί με πλήρη**

**ταχύτητα προτού η λάμα εισχωρήσει στο κατεργαζόμενο τεμάχιο**

- το κάτω προστατευτικό F ανοίγει αυτόματα όταν η πριονολάμα εισέρχεται στο κατεργαζόμενο τεμάχιο (ανοίγεται το κάτω προστατευτικό με το χέρι σας, χρησιμοποιώντας το μοχλό G, μόνο για ειδικές κοπές, όπως βυθισμένες κοπές)

**! μην ζορίζετε το εργαλείο (ασκήστε ελαφρά και σταθερή πίεση προκειμένου να αποφύγετε την υπερθέρμανση των άκρων των λαμών)**

- αφού ολοκληρώσετε την κοπή, απενεργοποιείτε το εργαλείο αποδεσμεύοντας τη σκανδάλη Y

**! βεβαιώστε ότι η λάμα έχει ακινητοποιηθεί πλήρως, προτού να ανασηκώσετε το ηλεκτρικό εργαλείο από το κατεργαζόμενο τεμάχιο**

## ΣΥΜΒΟΥΛΕΣ ΧΡΗΣΗΣ

- Διατηρείτε πάντα την καλή πλευρά του κατεργαζόμενου τεμαχίου στην κάτω πλευρά, ώστε να ελαχιστοποιείτε τα πριονίδια
- Χρησιμοποιείτε μόνο αιχμηρές πριονολάμα του κατάλληλου τύπου ⓑ
  - η ποιότητα της κοπής βελτιώνεται όσο αυξάνεται οδόντωση
  - οι λάμες με άκρα καρβιδίου παραμένουν αιχμηρές έως και 30 φορές περισσότερο σε σχέση με τις κοινές λάμες
- Εγκάρσιες κοπές / σκισίματα ⓑ
  - Οι εγκάρσιες κοπές και τα σκισίματα επιτυγχάνονται εύκολα με έναν οδηγό παράλληλης κοπής Z.
  - ευθυγραμμίστε τον οδηγό με την ένδειξη γραμμής κοπής 0° Q στο πέλμα
  - εισαγάγετε έναν οδηγό παράλληλης κοπής Z μέσα από τις υποδοχές και στις δύο πλευρές του πέλματος στο επιθυμητό πλάτος και ασφαλίστε με το κουμπί AA
- ! διασφαλίστε ότι ο οδηγός απόσχισης δεν εμποδίζει την ελεύθερη κίνηση του κάτω προστατευτικού και της πριονολάμας**
- Βυθισμένη κοπή ⓑ
  - καθορίστε το επιθυμητό βάθος κοπής
  - δώστε κλίση προς τα εμπρός στο ηλεκτρικό εργαλείο με την ένδειξη γραμμής κοπής Q ευθυγραμμισμένη με την επιθυμητή γραμμή κοπής που έχει επισημανθεί επάνω στο τεμάχιο επεξεργασίας
  - ανοίξτε το κάτω προστατευτικό F με το μοχλό G
  - λίγο προτού η λάμα εισέλθει στο κατεργαζόμενο τεμάχιο, ενεργοποιήστε το ηλεκτρικό εργαλείο και χαμηλώστε σταδιακά το πίσω μέρος του ηλεκτρικού εργαλείου, χρησιμοποιώντας το μπροστινό άκρο του πέλματος ως σημείο στήριξης
  - κινήστε σταδιακά το εργαλείο προς τα κάτω και προς τα εμπρός
  - μόλις η λάμα εισχωρήσει στο υλικό, αποδεσμεύστε το μοχλό G
- ! ποτέ μην τραβήτε το εργαλείο προς τα πίσω**
- Κοπή μεγάλων πάνελ ⓑ
  - υποστηρίξτε τα πάνελ κοντά στο σημείο κοπής, τοποθετώντας τα στο δάπεδο, σε τραπέζι ή πάγκο εργασίας
- ! ρυθμίστε το βάθος κοπής, προκειμένου να κόψετε το πάνελ και όχι την υποστήριξη**
- σε περίπτωση που ο οδηγός παράλληλης κοπής δεν επιτρέπει την κοπή στο επιθυμητό πλάτος, στερεώστε

ή καρφώστε ένα ίσιο ξύλο πάνω στο τεμάχιο επεξεργασίας ως οδηγό και χρησιμοποιείστε την αριστερή πλευρά του πέλματος σε σχέση με αυτόν τον οδηγό 17

#### • Κοπή με ράγα οδηγού 19 \*ΔΕΝ ΠΕΡΙΛΑΜΒΑΝΕΤΑΙ ΣΤΟ ΒΑΣΙΚΟ ΕΞΟΠΛΙΣΜΟ

Η χρήση ράγας οδηγού διασφαλίζει ακριβείς, ευθείες, σωστές κοπές, σε λοξοτομές 0° ή 45°.

Προτού κάνετε την πρώτη κοπή με τη ράγα οδηγού, προσαρμόστε το ελαστικό χείλος στο δισκοπρίονο που χρησιμοποιείτε.

- για ευθεία κοπή 0°, ευθυγραμμίστε την πλευρά λοξοτομής 0° της ράγας ΑΕ (ή την πλευρά λοξοτομής 45° όταν κάνετε λοξοτομή 45°) με την επιθυμητή γραμμή κοπής σημειωμένη στο κατεργαζόμενο τεμάχιο

- ασφαλίζετε τη ράγα οδηγού ΑΕ στο κατεργαζόμενο τεμάχιο με σφιγκτήρες ράγας οδηγού ΑΕ 18 \*ΔΕΝ ΠΕΡΙΛΑΜΒΑΝΟΝΤΑΙ ΣΤΟ ΒΑΣΙΚΟ ΕΞΟΠΛΙΣΜΟ

- σύρτε το δισκοπρίονο στη ράγα ΑΕ και περιστρέψτε τα κουμπιά ρύθμισης υποδοχής οδηγού U δεξιόστροφα, ώστε να ελαχιστοποιήσετε το κενό μεταξύ της υποδοχής στο πέλμα και της ανυψωμένης προεξοχής στη ράγα ΑΕ, και βεβαιωθείτε ότι το δισκοπρίονο κινείται απρόσκοπτα στη ράγα χωρίς να ταλαντεύεται.

- κατά τη ρύθμιση του βάθους κοπής λαμβάνετε υπόψη το πάχος της ράγας οδηγού ΑΕ

- οδηγήστε το δισκοπρίονο ομοιόμορφα με αργό ρυθμό τροφοδοσίας ως το άκρο της ράγας

• Για περισσότερες πληροφορίες, βλ. [www.skil.com](http://www.skil.com)

## ΣΥΝΤΗΡΗΣΗ/ΣΕΡΒΙΣ

- Αυτό το εργαλείο δεν προορίζεται για επαγγελματική χρήση
- Διατηρείτε πάντα καθαρό το ηλεκτρικό εργαλείο!  
**! αφαιρέστε την μπαταρία από το εργαλείο πριν από τον καθαρισμό**
- Φροντίζετε ώστε ο χώρος γύρω από κάτω προστατευτικό F 2 να είναι πάντα καθαρός (απομακρύνετε τη σκόνη και τα ροκανίδια με πεπιεσμένο αέρα ή πινέλο)
- Καθαρίζετε την προιονόλαμα αμέσως μετά τη χρήση (ειδικά από ρητίνη ή κόλλα)
- Εάν παρά την επιμελημένη κατασκευή και τις διαδικασίες δοκιμής το ηλεκτρικό εργαλείο παρουσιάσει βλάβη, τότε η επισκευή του πρέπει να ανατεθεί σ' ένα κέντρο εξυπηρέτησης κατόπιν πωλήσεων για ηλεκτρικά εργαλεία SKIL
- στείλετε το ηλεκτρικό εργαλείο **χωρίς να το αποσυρμολογήσετε** μαζί με την απόδειξη αγοράς στο κατάστημα από το οποίο το αγοράσατε ή στον πλησιέστερο σταθμό τεχνικής εξυπηρέτησης της SKIL (οι διευθύνσεις και το διάγραμμα συντήρησης του εργαλείου διατίθενται στην ιστοσελίδα [www.skil.com](http://www.skil.com))
- Λαμβάνετε υπόψη ότι οι βλάβες που προκαλούνται λόγω υπερφόρτωσης ή ακατάλληλης χρήσης του ηλεκτρικού εργαλείου δεν καλύπτονται από την εγγύηση (για τους όρους της εγγύησης της SKIL βλ. [www.skil.com](http://www.skil.com) ή απευθυνθείτε στο πλησιέστερο κατάστημα πώλησης)

## ΠΕΡΙΒΑΛΛΟΝ

Μόνο για τις χώρες της ΕΕ

- Μην απορρίπτετε τα ηλεκτρικά εργαλεία, τα παρελκόμενα και τη συσκευασία στα οικιακά απορρίμματα
- σύμφωνα με την ευρωπαϊκή οδηγία 2012/19/ΕΚ, σχετικά με τα απόβλητα ηλεκτρικού και ηλεκτρονικού εξοπλισμού, και την ενσωμάτωσή της στο εθνικό δίκαιο, τα άχρηστα ηλεκτρικά εργαλεία πρέπει να συλλέγονται ξεχωριστά και να επιστρέφονται σε εγκατάσταση αποβλήτων για ανακύκλωση με τρόπο φιλικό προς το περιβάλλον
- το σύμβολο 6 θα σας το θυμίσει αυτό όταν έλθει η ώρα της απόρριψης
- ! πριν από την απόρριψη, καλύψτε τους ακροδέκτες της συστοιχίας μπαταριών με μονωτική ταινία για να αποφύγετε βραχυκύκλωμα**

## ΘΟΡΥΒΟΣ/ΔΟΝΗΣΗ

- Βάσει της μέτρησης σύμφωνα με το πρότυπο EN 62841, η στάθμη ηχητικής πίεσης αυτού του εργαλείου είναι 91 dB(A) και η στάθμη ηχητικής ισχύος 102 dB(A) (αβεβαιότητα K = 3 dB), και η δόνηση \* (τριαξονικό διανυσματικό άθροισμα, αβεβαιότητα K = 1,5 m/s<sup>2</sup>) \* κοπή ξύλου < 2,5 m/s<sup>2</sup>
- Το επίπεδο μετάδοσης δόνησης έχει μετρηθεί σύμφωνα με τυποποιημένη δοκιμή κατά το πρότυπο EN 62841. Μπορεί να χρησιμοποιηθεί για τη σύγκριση ενός εργαλείου με ένα άλλο, καθώς και ως προκαταρκτική αξιολόγηση της έκθεσης σε δόνηση όταν το εργαλείο χρησιμοποιείται για τις αναφερόμενες εφαρμογές
- η χρήση του εργαλείου για διαφορετικές εφαρμογές ή με διαφορετικά ή κακοσυντηρημένα εξαρτήματα μπορεί να αυξήσει σημαντικά το επίπεδο έκθεσης
- όταν το εργαλείο είναι απενεργοποιημένο ή όταν είναι ενεργοποιημένο αλλά δεν εκτελεί την εργασία, το επίπεδο έκθεσης μπορεί να μειωθεί σημαντικά
- ! προστατευτείτε από τις συνέπειες της δόνησης, συντηρώντας σωστά το ηλεκτρικό εργαλείο και τα παρελκόμενά του, διατηρώντας τα χέρια σας ζεστά και οργανώνοντας τον τρόπο εργασίας σας**

RO

Ferăstrău circulară fără  
perii și fără fir

3571

## INTRODUCERE

- Această sculă este destinată tăierilor longitudinale și transversale în lemn atât cu secțiuni drepte cât și cu secțiuni unghiulare la 56°
- Această sculă nu este destinată utilizării profesionale
- Citiți și păstrați acest manual de instrucțiuni 3

## DATE TEHNICE 1

## ELEMENTELE SCULEI 2

- A Cheia hexagonală
- B Locaș de dozare pentru cheia hexagonală

- C Buton de blocare ax
  - D Șurub de pânză
  - E Flanșă
  - F Apărătoare inferioară
  - G Manetă de deschidere a apărătorii inferioare
  - H Suprafață de încastrare
  - J Buton pentru stabilirea adâncimii de tăiere
  - K Placa pentru picioare
  - L Indicator al adâncimii de tăiere
  - M Manetă de reglare a unghiului de tăiere
  - N Indicator al unghiului de tăiere
  - P Oprește a șanfrării la 45°
  - Q Indicatorul liniei de tăiere
  - R Adaptor pentru aspirator
  - S Mâner posterior
  - T Mâner frontal
  - U Butoane pentru reglarea slotului de ghidare
  - V Lumină LED
  - W Întrerupător de siguranță
  - X Fantă de ghidare
  - Y Comutatorul de declanșare
  - Z Ghidaj paralel
  - AA Buton pentru reglarea ghidajului paralel
  - AB ACârlig
  - AC Indicator nivel încărcare acumulator
  - AD Sac de praf\*
  - AE Șină de ghidare\*
  - AF Clemă șină de ghidare\*
- \* NU ESTE INCLUS ÎN VERSIUNEA STANDARD

## SIGURANȚA

### INSTRUCȚIUNI GENERALE DE SIGURANȚĂ PENTRU SCULE ELECTRICE

**AVERTISMENT** Citiți toate instrucțiunile, avertismentele de siguranță, ilustrațiile și specificațiile livrate împreună cu această sculă electrică.

Nerespectarea tuturor instrucțiunilor enumerate mai jos se poate solda cu șoc electric, incendiu și/sau vătămare corporală gravă.

#### Păstrați toate avertizările și instrucțiunile pentru consultare ulterioară.

Termenul „sculă electrică” din avertizări se referă la scula electrică (cu cablu) alimentată de la rețeaua electrică sau scula electrică (fără cablu de alimentare) care funcționează cu acumulator.

#### 1) SIGURANȚA ZONEI DE LUCRU

- a) **Păstrați zona de lucru curată și bine iluminată.** Zonele dezordonate și întunecoase predisun la accidente.
- b) **Nu puneți în funcțiune sculele electrice în atmosfere explozive, cum ar fi în prezența lichidelor, gazelor sau a pulberilor inflamabile.** Sculele electrice creează scântei, care pot aprinde pulberile sau gazele.
- c) **Țineți copiii și persoanele prezente la distanță atunci când utilizați o sculă electrică.** Distragerea atenției vă poate face să pierdeți controlul.

#### 2) SIGURANȚA ELECTRICĂ

- a) **Ștecherul sculelor electrice trebuie să corespundă**

cu priză de rețea electrică. Nu modificați niciodată ștecherul în vreun fel. Nu utilizați adaptoare de priză cu unelte electrice cu împământare. Ștecherul nemodificat și prizele adecvate vor reduce riscul de electrocutare.

- b) **Evitați contactul corpului cu suprafețele legate la împământare, cum sunt țevile, caloriferele, mașinile de gătit și frigiderul.** Acest lucru reprezintă un risc sporit de electrocutare în cazul care corpul dumneavoastră este împământat.
  - c) **Nu expuneți sculele electrice la ploaie sau condiții de umiditate.** Pătrunderea apei într-o sculă electrică va crește riscul de electrocutare.
  - d) **Nu folosiți în mod abuziv cablul de alimentare. Nu utilizați niciodată cordonul de alimentare pentru a transporta, a trage sau a scoate din priză scula electrică. Țineți cablul de alimentare departe de căldură, ulei, margini tăioase sau piese în mișcare.** Cablurile electrice deteriorate sau încălcite cresc riscul de electrocutare.
  - e) **Când utilizați o sculă electrică în aer liber utilizați un cablu prelungitor adecvat pentru utilizarea în aer liber.** Utilizarea unui cablu adecvat pentru utilizare în aer liber reduce riscul de electrocutare.
  - f) **Dacă utilizarea unei scule electrice într-o zonă umedă este inevitabilă, utilizați o sursă de alimentare protejată cu un întrerupător de protecție la curent rezidual (DCR) alimentare protejată.** Utilizarea unui astfel de întrerupător reduce riscul de electrocutare.
- #### 3) SIGURANȚA PERSONALĂ
- a) **Păstrați-vă vigilența, urmăriți ceea ce faceți și apelați la bunul simț când utilizați o sculă electrică. Nu utilizați o sculă electrică când sunteți obosit, sau sub influența medicamentelor, a alcoolului sau a medicației.** Un moment de neatenție în timp ce utilizați sculele electrice se poate solda cu vătămări grave.
  - b) **Utilizați echipamente individuale de protecție. Purtați întotdeauna echipament de protecție oculară.** Echipamentele de protecție, cum ar fi masca de praf, bocancii de protecție antiderapanți, casca sau antifoaiele utilizate în condiții corespunzătoare, vor reduce vătămările corporale.
  - c) **Preveniți pornirea accidentală. Asigurați-vă că întrerupătorul este în poziția oprit înainte de a conecta scula la o sursă de alimentare și/sau set de acumulatori, înainte de a ridica sau transporta scula.** Transportul sculelor electrice cu degetul pe întrerupător sau cu alimentarea cu energie electrică pornită, predisune la accidente.
  - d) **Îndepărtați orice cheie de reglare sau cheie fixă înainte de a porni scula electrică.** O cheie lăsată într-o piesă rotativă a sculei electrice poate duce la accidente.
  - e) **Nu încercați să ajungeți în locuri inaccesibile. Păstrați-vă stabilitatea și echilibrul în orice moment.** Astfel veți avea un control mai bun asupra sculei electrice în situații neașteptate.
  - f) **Îmbrăcați-vă corespunzător. Nu purtați haine largi sau bijuterii. Păstrați-vă părul și îmbrăcămintea departe de componentele în mișcare.** Îmbrăcămintea largă, bijuteriile sau părul lung se pot prinde în piesele în mișcare.
  - g) **Dacă sunt furnizate dispozitive pentru conectarea**



sistemelor de extragere și colectare a prafului, asigurați-vă că acestea sunt conectate și utilizate corespunzător. Utilizarea dispozitivelor de colectare a prafului poate reduce pericolele legate de praf.

- h) **Nu permiteți ca familiaritatea dobândită în urma utilizării frecvente a sculelor să vă facă să neglijați sau să nesocotiți principiile de siguranță ale sculei.** O operație neglijentă poate cauza vătămări grave într-o fracțiune de secundă.
- 4) UTILIZAREA ȘI ÎNGRIJIREA SCULELOR ELECTRICE**
- a) **Nu forțați scula electrică. Utilizați scula electrică corespunzătoare pentru aplicația dumneavoastră.** Scula electrică adecvată va face o treabă mai bună și mai sigură când este utilizată conform specificațiilor pentru care a fost concepută.
- b) **Nu utilizați scula electrică dacă întrerupătorul nu comută pe pozițiile pornit și oprit.** Orice sculă electrică ce nu poate fi controlată de la întrerupător este periculoasă și trebuie reparată.
- c) **Deconectați ștecherul de la sursa de alimentare și / sau scoateți acumulatorul, dacă este detașabil, de la scula electrică înainte de a efectua ajustări, de a schimba accesoriile sau de a stoca sculele electrice.** Astfel de măsuri preventive reduc riscul de pornire accidentală a sculei electrice.
- d) **Depozitați sculele electrice într-un loc inaccesibil copiilor și nu permiteți utilizarea sculei electrice de persoane nefamiliarizate cu aceasta sau cu aceste instrucțiuni.** Sculele electrice sunt periculoase în mâinile utilizatorilor neinstruiți.
- e) **Întrețineți sculele electrice și accesoriile. Verificați dacă există abateri de la coaxialitate sau îndoiri ale pieselor în mișcare, avarii ale pieselor și orice altă situație care poate afecta funcționarea sculelor electrice.** În caz de deteriorare, reparați scula electrică înainte de utilizare. Multe accidente sunt cauzate de sculele electrice prost întreținute.
- f) **Mențineți sculele de tăiere ascuțite și curate.** Sculele de tăiere întreținute corespunzător și cu muchii de tăiere ascuțite riscă mai puțin să se îndoie și sunt mai ușor de controlat.
- g) **Utilizați scula electrică, accesoriile și cuțitele demontabile etc. în conformitate cu aceste instrucțiuni, ținând cont de condițiile de lucru și lucrarea de efectuat.** Utilizarea sculei electrice pentru operații diferite de cele intenționate s-ar putea solda cu o situație periculoasă.
- h) **Mențineți mânerul și suprafețele de apucat uscate, curate și fără ulei și vaselină.** Mănerul și suprafețele de apucare alunecoase nu permit manevrarea în siguranță și controlul asupra sculei în situații neașteptate.
- 5) UTILIZAREA ȘI ÎNGRIJIREA ACUMULATORULUI**
- a) **Reîncărcați numai cu încărcătorul specificat de producător.** Un încărcător adecvat pentru un tip de set de acumulatori poate prezenta risc de incendiu dacă este utilizat cu alt set de acumulatori.
- b) **Utilizați sculele electrice doar cu seturile de acumulatori special menționate.** Utilizarea oricărui alt set de acumulatori prezintă risc de accidente și incendiu.
- c) **Când nu se utilizează setul de acumulatori, țineți-l departe de alte obiecte metalice precum clamele de hârtie, monedele, cheile, cuielile, șuruburile sau alte obiecte metalice mici care pot realiza o conexiune**

între borne. Scurtcircuitarea bornelor acumulatorului poate produce arsuri sau un incendiu.

- d) **În condiții abuzive se poate scurge lichid din acumulator; evitați contactul.** Dacă are loc contactul accidental, clătiți cu apă. Dacă lichidul intră în contact cu ochii, efectuați suplimentar un consult medical. Lichidul scurs din acumulator poate produce iritații sau arsuri.
- e) **Nu utilizați un set de acumulatori sau o sculă deteriorată sau modificată.** Acumulatorii deteriorați sau modificați pot prezenta comportament imprevizibil, care poate duce la incendiu, explozie sau risc de vătămare.
- f) **Nu expuneți setul de acumulatori la foc sau la temperaturi excesive.** Expunerea la foc sau la temperaturi de peste 130°C poate provoca explozie.
- g) **Respectați instrucțiunile de încărcare și nu încărcați setul de acumulatori sau scula în afara intervalului de temperatură specificat în instrucțiuni.** Încărcarea necorespunzătoare sau la temperaturi în afara domeniului specificat poate duce la deteriorarea acumulatorului și la creșterea riscului de incendiu.
- 6) SERVICE**
- a) **Apelați numai la o persoană calificată pentru a vă repara scula electrică utilizând numai piese de schimb identice.** Astfel se asigură menținerea nivelului de siguranță al sculei electrice.
- b) **Nu efectuați niciodată operații de service asupra seturilor de acumulatori deteriorați.** Depanarea acumulatorilor trebuie să fie efectuată numai de producător sau de prestatorii autorizați de servicii.

## AVERTISMENTĂRI DE SIGURANȚĂ PENTRU FERĂSTRASTRELE CIRCULARE FĂRĂ FIR

### 1) PROCES DE TĂIERE

- a) **⚠ PERICOL: Țineți mâinile departe de zona de tăiere și lamă. Țineți mâna a doua pe mânerul auxiliar sau pe carcasa motorului.** Dacă ambele mâini țin ferăstrăul, acestea nu pot fi tăiate de lamă.
- b) **Nu puneți mâna sub piesa de lucru.** Protecția nu vă poate proteja de lamă sub piesa de prelucrat.
- c) **Reglați adâncimea de tăiere la grosimea piesei de prelucrat.** Trebuie să fie vizibil sub piesa de prelucrat mai puțin de un dinte complet al dinților lamei.
- d) **Nu țineți niciodată piesa de prelucrat în mâini sau peste picior. Fixați piesa de prelucrat pe o platformă stabilă.** Este important să susțineți în mod corespunzător lucrările pentru a minimiza expunerea corpului, blocarea lamei sau pierderea controlului.
- e) **Apucați scula electrică numai de mânerul izolat atunci când efectuați lucrări la care accesoriul poate nimeri conductorii electrici ascunși sau propriul cablu de alimentare** (contactul cu un fir „viiu” sub tensiune pune pe „viiu”, sub tensiune și componentele metalice ale sculei electrice și duce la electrocutare)
- f) **Când rupeți, utilizați întotdeauna un ghidaj paralel sau un ghidaj drept.** Acest lucru îmbunătățește precizia tăierii și reduce șansele de blocare a lamei.
- g) **Utilizați întotdeauna pânze de ferăstrău cu dimensiunea și forma corectă (de romb față de forma rotundă) a orificiilor de montaj.** Pânzele



de ferăstrău care nu se potrivesc cu dispozitivele de montare ale ferăstrăului vor funcționa excentric, provocând pierderea controlului.

- h) **Nu folosiți niciodată șaibe de lamă sau șuruburi deteriorate sau incorecte.** Șaibe și șuruburile de lamă au fost special concepute pentru ferăstrăul dvs., pentru performanțe optime și siguranță de funcționare.
- 2) CAUZE DE REcul ȘI AVERTIZĂRI LEGATE DE ACESTA**
- Reculul este o reacție bruscă la o lamă de ferăstrău ciupită, blocată sau nealinată, provocând ridicarea și ieșirea unui ferăstrău necontrolat din piesa de prelucrare spre operator
  - Când lama este ciupită sau blocată strâns prin închiderea arborelui, lama se blochează și reacția motorului conduce unitatea rapid înapoi către operator
  - În cazul în care lama se răsuște sau se aliniază greșit în tăietură, dinții de la marginea din spate a lamei pot săpa în suprafața superioară a lemnului, determinând lama să urce din gaură și să sară înapoi către operator
  - Reculul este rezultatul utilizării necorespunzătoare a sculei și/sau a procedurilor sau condițiilor de operare incorecte și poate fi evitat prin luarea măsurilor de precauție adecvate menționate mai jos:
- a) **Mențineți o strângere fermă a fierăstrăului cu ambele mâini și poziționați-vă brațele pentru a rezista forțelor de recul. Poziționează-ți corpul fie de o parte a lamei, dar nu în linie cu lama.** Reculul ar putea face ca ferăstrăul să sară înapoi, dar forțele de recul pot fi controlate de către operator, dacă se iau măsurile de precauție adecvate.
- b) **Când lama este blocată sau când întrerupeți o tăietură din orice motiv, eliberați trăgaciul și țineți ferăstrăul nemișcat în material până când lama se oprește complet. Nu încercați niciodată să scoateți ferăstrăul din piesa lucru sau nu trageți ferăstrăul înapoi în timp ce lama este în mișcare sau poate apărea o retragere.** Investigați și luați măsuri corective pentru a elimina cauza blocării lamei. Evitați tăierea culeilor sau șuruburilor.
- c) **Când reporniți un ferăstrău în piesa de prelucrat, centrați lama ferăstrăului în bucată și verificați ca dinții ferăstrăului să nu fie cuplați în material.** Dacă o lamă de ferăstrău se blochează, aceasta poate merge în sus sau înapoi din piesa de prelucrat pe măsură ce ferăstrăul este repornit.
- d) **Sprîjiți panourile mari pentru a minimiza riscul de ciupire și recul a lamei.** Panourile mari tind să se lase sub propria greutate. Suporturile trebuie așezate sub panou pe ambele părți, lângă linia de tăiere și lângă marginea panoului.
- e) **Nu utilizați lame neascuțite sau deteriorate.** Pânzele de ferăstrău neascuțite sau fixate necorespunzător produc o tăietură îngustă care provoacă frecare excesivă, blocarea lamei și recul.
- f) **Adâncimea lamei și pârgiile de blocare pentru reglarea înclinării trebuie să fie strânse și sigure înainte de a efectua tăierea.** Dacă reglarea lamei se schimbă în timpul tăierii, aceasta poate provoca blocarea și retragerea.
- g) **Aveți grijă suplimentară atunci când tăiați pereții existenți sau alte zone oarbe.** Lama proeminentă poate tăia obiecte care pot cauza recul.

### 3) FUNCȚIA DE PROTECȚIE INFERIOARĂ

- a) **Verificați protecția inferioară pentru închiderea corectă înainte de fiecare utilizare. Nu acționați ferăstrăul dacă protecția inferioară nu se mișcă liber și nu se închide instantaneu. Nu strângeți niciodată și nu legați protecția inferioară în poziția deschisă.** Dacă ferăstrăul este scăpat accidental, protecția inferioară poate fi îndoită. Ridicați protecția inferioară cu mânerul retractabil și asigurați-vă că se mișcă liber și nu atinge lama sau orice altă parte, în toate unghiurile și adâncimile de tăiere.
- b) **Verificați funcționarea arcului de protecție inferior. Dacă protecția și arcul nu funcționează corect, acestea trebuie întreținute înainte de utilizare.** Protecția inferioară poate funcționa lent din cauza pieselor deteriorate, a depunerilor de gumă sau a acumularii de resturi.
- c) **Apărătoarea inferioară trebuie retrasă manual numai pentru tăieturi speciale, cum ar fi tăieturi scufundate și tăieturi compuse. Ridicați protecția inferioară de mânerul retractabil și imediat ce lama intră în material, protecția inferioară trebuie eliberată.** Pentru toate celelalte tăieturi, protecția inferioară ar trebui să funcționeze automat.
- d) **Observați întotdeauna că protecția inferioară acoperă lama înainte de a așeza ferăstrăul pe bancă sau podea.** O lamă neprotejată, de inerție, va face ca ferăstrăul să meargă înapoi, tăind tot ce se află în calea sa. Fiți conștienți de timpul necesar pentru oprirea lamei după eliberarea comutatorului.

### AVERTIZĂRI SUPLIMENTARE DE SIGURANȚĂ

#### GENERALITĂȚI

- Această sculă nu trebuie să fie folosită de persoane sub 16 ani
- Această sculă nu este potrivită pentru tăiere umedă
- **Nu prelucrați materiale care conțin azbest** (azbestul este considerat a fi cancerigen)
- Praful rezultat din materiale precum vopseaua care conține plumb, unele specii de lemn, minerale și metale poate fi periculos (contactul cu praful sau inhalarea acestuia poate provoca reacții alergice și/sau afecțiuni respiratorii operatorului sau persoanelor care stau în apropiere); **purtați o mască de praf și lucrați cu un dispozitiv de extragere a prafului când poate fi conectat**
- Anumite tipuri de praf sunt clasificate ca fiind cancerigene (cum ar fi praful de stejar și fag) în special în combinație cu aditivi pentru tratarea lemnului; **purtați o mască de praf și lucrați cu un dispozitiv de extragere a prafului când poate fi conectat**
- Respectați reglementările naționale referitoare la aspirația prafului în funcție de materialele de lucru folosite
- Nu utilizați acest ferăstrău în combinație cu o masă de ferăstrău
- Scoateți bateria din sculă înainte de a face orice reglaje sau de a schimba accesorii

#### ACCESORII

- SKIL garantează funcționarea perfectă a aparatului numai dacă sunt folosite accesoriile originale
- Folosiți numai pânze de ferăstrău care corespund specificațiilor din prezentele instrucțiuni de utilizare și

care au fost verificate și marcate conform EN 847-1

- Folosiți numai accesoriile a căror durată admisă este cel puțin egală cu durata maximă la mers în gol a aparatului
- Utilizați numai pânze de ferăstrău cu un diametru minim de 184 mm, un diametru maxim de 184 mm și un orificiu pentru ax de 16 mm
- Nu utilizați niciodată pânze de ferăstrău din oțel de mare viteză (HSS).
- Nu folosiți niciodată discuri abrazive/ de tăiere cu această sculă

#### ÎNAINTEA UTILIZĂRII

- Evitați daunele provocate de șuruburi, țiște și alte elemente din timpul lucrului; înlăturați aceste elemente înainte de a trece la acțiune
- Îndepărtați toate obstacolele aflate deasupra precum și sub traseul de tăiere înainte de a începe tăierea
- **Securizați piesa de lucru** (o piesă de lucru fixată cu clame sau într-o menhină este ținută mult mai în siguranță decât manual)
- **Folosiți detectoare adecvate pentru depistarea conductelor și conducturilor de alimentare sau apelați în acest scop la întreprinderea locală de furnizare a utilităților** (contactul cu conductorii electrici poate provoca incendii sau electrocutare; deteriorarea unei conducte de gaz poate duce la explozii; spargerea unei conducte de apă provoacă pagube materiale sau poate provoca electrocutare)

#### ÎN TIMPUL FUNCȚIONĂRII

- Când este utilizat, nivelul de zgomot poate depăși 85 dB(A); este necesar să purtați echipament de protecție pentru urechi
- Nu folosiți niciodată scula fără sistemul original de protecție
- Nu încercați să tăiați piese de prelucrat extrem de mici
- Nu lucrați cu scula deasupra capului
- 
- În caz de blocare sau defecțiuni electrice sau mecanice, opriți imediat scula și scoateți bateria.

#### DUPĂ UTILIZARE

- Când puneți instrumentul la o parte, deconectați motorul și asigurați-vă că toate elementele mobile și-au oprit complet mișcarea
- După deconectarea ferăstrăului circular, nu opriți niciodată rotația pânzei de ferăstrău printr-o forță laterală aplicată acesteia

#### ACUMULATORII

- Bateria furnizată este parțial încărcată (pentru a asigura o capacitate maximă a bateriei, încărcați-o complet utilizând încărcătorul acesteia înainte de a utiliza unealta electrică pentru prima dată)
- Utilizați numai următoarele baterii și încărcătoare cu această sculă
  - Baterie SKIL: BR1\*31\*\*\*\*
  - Încărcător SKIL: CR1\*31\*\*\*\*
- Nu utilizați bateria dacă este avariată; aceasta trebuie înlocuită
- Nu dezasamblați bateria.
- Nu expuneți scula/bateria la ploaie.
- Temperatură ambiantă admisă (instrument/încărcător/acumulator):
  - în timpul încărcării 4...40°C
  - în timpul funcționării -20...+50°C
  - în timpul depozitării -20...+50°C

#### EXPLICAȚIA SIMBOLURILOR DE PE INSTRUMENT/ BATERIE

- ③ Citiți manual de instrucțiuni înainte de utilizare
- ④ Bateriile vor exploda când sunt aruncate în foc, deci nu ardeți bateriile sub niciun motiv
- ⑤ Depozitați instrumentul / încărcătorul / bateria în locuri în care temperatura nu va depăși 50 °C
- ⑥ Nu aruncați sculele electrice și bateriile direct la pubelele de gunoi

## UTILIZAREA

- Încărcarea bateriei
  - ! **citiți avertismentele de siguranță și instrucțiunile care au fost furnizate împreună cu încărcătorul**
- Scoaterea/instalarea bateriilor ②
- Montarea pânzei de ferăstrău ②
  - ! **scoateți bateria din sculă**
    - scoateți cheia hexagonală A din zona de stocare B
    - apăsați butonul de blocare a axului C și țineți-l până când scoateți șurubul pânzei D prin rotirea cheii fixe de pânză A ÎN SENS ANTIORAR (= în aceeași direcție cu săgeata imprimată pe pânza ferăstrăului)
    - ! **apăsați butonul de blocare a axului C numai atunci când scula este în poziția de oprire**
      - lăsați liber butonul C de blocare a axului
      - îndepărtați flanșa E
    - ! **asigurați-vă că suprafețele de fixare H ale flanșelor sunt perfect curate și sunt orientate la pânză**
      - desfaceți dispozitivul de protecție inferior F cu maneta G și mențineți-l astfel, montați pânza de ferăstrău astfel încât dinții pânzei de fierăstrău și săgeata desenată pe pânza de fierăstrău să fie îndreptați în aceeași direcție cu săgeata de pe dispozitivul de protecție inferior
      - lăsați liber dispozitivul de protecție inferior F
      - montați flanșa E
      - apăsați butonul C de blocare a axului și mențineți-l apăsat în timp ce strângeți șurubul pânzei cu cheia hexagonală și întoarceți-l 1/8 cu mâna înapoi (asigurați alunecarea pânzei de fierăstrău atunci când aceasta întâlneste o rezistență excesivă, reducând astfel suprașarcina motorului și reculul ferăstrăului)
      - lăsați liber butonul C de blocare a axului
  - Reglarea adâncimii de tăiere (0-66 mm) ⑦
    - pentru o calitate optimă a tăierii pânza de ferăstrău nu trebuie nu trebuie să depășească cu mai mult de 3 mm piesa pe prelucrat
    - deșurubați butonul J
    - ridicați/coborâți reazemul K până la adâncimea de tăiere dorită, adâncime care poate fi setată pe o scală cu ajutorul indicatorului L
    - strângeți butonul J
  - Indicator nivel încărcare acumulator ⑧
    - apăsați butonul indicator al nivelului bateriei AC pentru a afișa nivelul curent al bateriei ⑧a
    - ! **când nivelul cel mai scăzut al indicatorului bateriei începe să clipească după apăsarea butonului AC ⑧b, bateria este descărcată**
    - ! **când 2 niveluri ale indicatorului bateriei încep să clipească după apăsarea butonului AC ⑧c, bateria nu se află în intervalul de temperatură de funcționare permis**
  - Lumină LED V ⑩
    - LED-ul se aprinde automat când activați comutatorul de pornire/oprire

**! când lumina LED începe să lumineze intermitent, protecția bateriei este activată (a se vedea mai jos)**

- Protecția bateriei  
Aparatul este oprit brusc sau împiedicat să fie pornit când
  - sarcina este prea mare --> îndepărtați sarcina și reporniți
  - temperatura bateriei nu se încadrează în intervalul admisibil de temperatură de funcționare de la -20 la +50 ° C --> 2 niveluri ale indicatorului de nivel al bateriei începe să clipească la apăsarea butonului AC ③c; așteptați până când bateria a revenit în intervalul permis de temperatură de funcționare
  - bateria este aproape descărcată (pentru protecție împotriva descărcării complete) --> un nivel scăzut al bateriei sau un nivel scăzut al bateriei care clipește ③b este afișat de indicatorul de nivel al bateriei atunci când apăsați butonul AC; încărcați bateria

**! nu continuați să apăsați comutatorul pornit/oprit după oprirea automată a mașinii; în caz contrar, bateria poate fi deteriorată**

- Reglarea unghiului de tăiere (0-56°) ⑨
    - slăbiți maneta M
    - înclinați scula până la unghiul de tăiere dorit care este setat pe scală folosind indicatorul N
    - opritorul de șanfenare la 45° P oferă o setare rapidă a unghiului de șanfenare la 45°.
    - pentru a seta un unghi de șanfenare mai mare de 45°, rotiți opritorul de șanfenare la 45° P pentru a-l scoate din indicatorul N
    - strângeți maneta M
- ! la tăierea oblică, adâncimea de tăiere nu corespunde cu valoarea de pe scala adâncimii de tăiere**

- Indicatorul liniei de tăiere Q ⑩
  - pentru ghidarea sculei de-a lungul liniei dorite de tăiere marcate pe piesa de prelucrat
  - pentru tăiere dreaptă la 0° sau oblică la 45° folosiți linia indicatoare menționată

**! partea lată a reazemului trebuie să se așeze pe partea sprijinită a piesei de prelucrat**

**! lățimea de tăiere este determinată de lățimea danturii pânzei și nu de lățimea corpului pânzei**

**! faceți întotdeauna mai întâi tăieri de test pentru verificarea liniei efective de tăiere**

- Aspirarea a prafului ⑪  
Atașați adaptorul pentru aspirator R la ferăstrău cu ajutorul șurubului cu cap Phillips  
Pentru utilizarea aspiratorului
  - conectați furtunul aspiratorului la adaptorul aspiratorului R

**! nu lăsați niciodată furtunul aspiratorului să stânjenească dispozitivul inferior de protecție sau operația de tăiere**

Sacul de praf  
- montați sacul de praf AD

- Utilizarea sculei
  - montați bateria
  - Țineți întotdeauna ferm mânerul S cu o mână și mânuțiți ferm mânerul T cu cealaltă mână
  - așezați scula cu partea din față a reazemului direct pe

piesa de prelucrat

**! asigurați-vă că dantura fierăstrăului nu este angajată în piesa de prelucrat**

- porniți scula apăsând mai întâi întrerupătorul de siguranță W și apoi apăsând trăgaciul Y
- ! scula trebuie să funcționeze la turația completă înainte ca pânza să intre în piesa de prelucrat**
  - dispozitivul inferior de protecție F se deschide automat atunci când pânza ferăstrăului intră în piesa de lucru (pentru tăieri speciale, cum ar fi tăieri de adâncime, deschideți manual dispozitivul inferior de protecție, folosind maneta G)
- ! nu forțați unealta (aplicați presiune ușoară și continuați pentru a evita supraîncălzirea vârfurilor pânzei)**
  - după încheierea tăierii deconectați scula eliberând declanșatorul Y
- ! asigurați-vă că pânza s-a oprit complet din mișcare înainte de a ridica scula de pe piesa de prelucrat**

## SFATURI PENTRU UTILIZARE

- Îndreptați întotdeauna partea bună a piesei de prelucrat în jos pentru a asigura așchiera minimă
- Folosiți numai pânze de ferăstrău ascuțite de tipul corect ⑬
  - calitatea tăierii se îmbunătățește în funcție de numărul de dinți
  - pânzele placate cu carburi rămân ascuțite pe perioade de până la de 30 de ori mai mult decât pânzele obișnuite
- Tăieturi transversale/tăieturi în lung (de despicare) ⑭  
Tăierile transversale sau tăierile în lung (de despicare) sunt ușor de realizat cu un ghidaj paralel Z.
  - aliniați linia de ghidare cu indicatorul Q al liniei de tăiere de 0° de pe picior.
  - introduceți un ghidaj paralel Z prin fantele din fiecare parte a piciorului la lățimea dorită și fixați-l cu ajutorul butonului AA
- ! asigurați-vă că ghidajul paralel nu interferează cu mișcarea liberă a protecției inferioare și a pânzei de ferăstrău.**
- Tăiere plonjată ⑮
  - setați adâncimea dorită de tăiere
  - înclinați scula în față spre indicator liniei de tăiere Q aliniat cu linia dorită de tăiere marcată pe piesă de prelucrat
  - deschideți dispozitivul de protecție inferior F cu maneta G
  - chiar înainte ca pânza să intre în piesa de prelucrat, conectați scula și treptat coborâți capătul din spate al sculei folosind partea din față a reazemului ca punct de basculare
  - treptat, mișcați scula în jos și înainte
  - de îndată ce pânza intră în material, eliberați maneta G
- ! nu trageți niciodată scula înapoi**
- Tăierea panourilor mari ⑯
  - sprijiniți panoul aproape de tăietură fie pe pardoseală, fie pe masă sau pe bancul de lucru
- ! setați adâncimea de tăiere astfel încât să străpungeți panoul și nu suportul**
  - în cazul în care rigla de ghidare pentru caneluri nu permite lățimea dorită de tăiere, fixați sau prindeți în

- cuiе o bucată dreaptă de lemn ca ghidaj, și utilizați partea dreaptă a reazemului față de acest ghidaj <sup>17</sup>
- Utilizarea șinei de ghidare <sup>19</sup> \* NU ESTE INCLUSĂ ÎN DOTAREA STANDARD  
Utilizarea unei șine de ghidare oferă tăieturi precise, drepte și exacte, fie la tăieturi înclinate la 0°, fie șanfenrare la 45°.  
Înainte de a efectua prima tăiere cu șina de ghidare, buza de cauciuc trebuie adaptată la ferăstrăul circular utilizat.
  - pentru o tăiere dreaptă la 0°, aliniați partea cu unghi de șanfenrare la 0° a șinei A E (sau partea cu unghi de șanfenrare la 45° în cazul unei șanfenrări la 45°) cu linia de tăiere dorită marcată pe piesa de prelucrat.
  - fixați ferm șina de ghidare AE pe piesa de lucru cu ajutorul clemelor pentru șina de ghidare AF <sup>16</sup> \* NU ESTE INCLUSĂ ÎN STANDARD
  - glišați ferăstrăul pe șina AE și rotiți butoanele de reglare a fantei de ghidare U în sensul invers acelor de ceasornic pentru a minimiza spațiul dintre fanta din picior și nervura în relief de pe șina AE și asigurați-vă că ferăstrăul poate aluneca liber pe șină fără a se balansa lateral.
  - atunci când setați adâncimea de tăiere nu uitați să țineți cont de grosimea șinei de ghidare AE
  - ghidați ferăstrăul în mod uniform cu o viteză de avans lentă prin capătul șinei
- Pentru mai multe informații, consultați [www.skil.com](http://www.skil.com)

## ÎNȚEȚINERE / SERVICE

- Această sculă nu este destinată utilizării profesionale
- Păstrați întotdeauna scula curată!
- Scoateți bateria din scula electrică înainte de curățare
- Mențineți întotdeauna curată zona din jurul dispozitivului de protecție inferior F <sup>2</sup> (eliminați praful și așchile prin suflare cu aer comprimat sau cu o perie)
- Curățați pânza de ferăstrău imediat după utilizare (în special de rășini și clei)
- Dacă în ciuda procedurilor de fabricație și control riguroase scula are totuși o pană, repararea acesteia se va face numai la un atelier de asistență service autorizat pentru scule electrice SKIL
  - trimiteți scula **completă** cu bonul de cumpărare la distribuitorul sau la centrul de service SKIL cel mai apropiat (adrese și diagrame de service se găsesc la [www.skil.com](http://www.skil.com))
- Trebuie să fiți conștienți de faptul că deteriorarea datorată supra-sarcinii sau utilizării incorecte a sculei va duce la excluderea din garanție (pentru condițiile de garanție SKIL consultați [www.skil.com](http://www.skil.com) sau întrebați distribuitorul)

## MEDIUL ÎNCONJURĂTOR

Numai pentru țările UE

- Nu aruncați sculele electrice, accesoriile sau ambalajele direct la pubelele de gunoi
  - Directiva Europeană 2012/19/EC face referire la modul de aruncare a echipamentelor electrice și electronice și modul de aplicare a normelor în conformitate cu legislația națională; sculele electrice în momentul în care au atins un grad avansat de uzură și trebuie aruncate, ele trebuie colectate separat și reciclate într-un mod ce respectă normele de protecție a mediului înconjurător
  - simbolul <sup>6</sup> vă va reaminti acest lucru

**! înainte aruncare protejați terminalele bateriei cu lentă protectoare pentru a preîntâmpina scurtcircuitul**

## ZGOMOT / VIBRAȚII

- Măsurat în conformitate cu EN 62841, nivelul de presiune acustică al acestei unelte este de 91 dB(A) și nivelul de putere acustică 102 dB(A) (incertitudine K = 3 dB), iar vibrațiile \* (sumă vectorială triax; incertitudine K = 1,5 m/s<sup>2</sup>) \* tăiere lemn < 2,5 m/s<sup>2</sup>.
- Nivelul emisiilor de vibrații a fost măsurat în conformitate cu un test standardizat precizat în EN 62841; poate fi folosit pentru a compara o sculă cu alta și ca evaluare preliminară a expunerii la vibrații atunci când folosiți scula pentru aplicațiile menționate
  - utilizarea sculei pentru aplicații diferite sau cu accesorii diferite și prost întreținute poate crește semnificativ nivelul de expunere
  - momentele în care scula este oprită sau când funcționează dar nu execută nicio lucrare, pot reduce semnificativ nivelul de expunere

**! protejați-vă împotriva efectelor vibrațiilor prin întreținerea sculei și a accesoriilor sale, păstrând mâinile calde și organizând procesele de lucru**

BG

## Безчетков безжичен циркулярен трион

3571

## ВЪВЕДЕНИЕ

- Този инструмент е предназначен за надлъжно и напречно рязане на дърво с право рязане, а също и с рязане под ъгъл до 56°
- Този инструмент не е предназначен за професионална употреба
- Прочетете и пазете това ръководство за работа <sup>3</sup>

## ТЕХНИЧЕСКИ ДАННИ <sup>1</sup>

## ЕЛЕМЕНТИ НА ИНСТРУМЕНТА <sup>2</sup>

- A** Шестостенен ключ
- B** Отделение за съхранение за шестостенния ключ
- C** Бутон за заключване на шпиндела
- D** Болт за режещия диск
- E** Фланец
- F** Долен предпазител
- G** Лост за отваряне на долния предпазител
- H** Затягаща повърхност
- J** Копче за задаване на дълбочина на рязане
- K** Основна плоча
- L** Индикатор за дълбочината на рязане
- M** Лост за регулиране на ъгъла на рязане
- N** Индикатор за ъгъла на рязане
- P** Ограничител на наклона на 45°
- Q** Индикатор на линията на рязане
- R** Адаптер за прахосмукачки
- S** Сек Задна ръкохватка
- T** Предна ръкохватка
- U** Ръкохватки за регулиране на направляващия прорез

- V LED светлина
  - W Предпазен превключател
  - X Направляващ прорез
  - Y Спусък превключател
  - Z Паралелен водач
  - AA Копче за регулиране на паралелния водач
  - AB Акука
  - AC Индикатор за нивото на заряд на батерията
  - AD Торбичка за прах\*
  - AE Направляваща релса\*
  - AF Скоба за направляваща релса\*
- \* Е Е ВКЛЮЧЕНО СТАНДАРТНО

## БЕЗОПАСНОСТ

### ОБЩИ ПРЕДУПРЕЖДЕНИЯ ЗА БЕЗОПАСНОСТ НА ЕЛЕКТРИЧЕСКИ ИНСТРУМЕНТИ

**⚠ ПРЕДУПРЕЖДЕНИЕ** Прочетете всички предупреждения за безопасност, инструкции, илюстрации и спецификации предоставени с този електрически инструмент. Неспазването на всички инструкции изброени долу може да доведе до токов удар, пожар и/или сериозно нараняване.

**Запазете всички предупреждения и инструкции за бъдеща справка.**

Терминът “Електрически инструмент” в предупреждението се отнася до захранвани от мрежата (кабелни) електрически инструменти или захранвани чрез батерия (безкабелни) електрически инструменти.

#### 1) БЕЗОПАСНОСТ В РАБОТНАТА ЗОНА

- a) **Поддържайте работната зона чиста и добре осветена.** Разхвърляни или тъмни работни зони пораждат инциденти.
- b) **Не работете с електрически инструменти в експлозивна атмосфера, като например в присъствието на запалими течности, газ или прах.** Електрическият инструмент създава искра, която може да възпламени праха или изпаренията.
- c) **Дръжте на разстояние децата и страничните лица, докато работите с електрически инструмент.** Разсейването може да причини загуба на контрол.

#### 2) ЕЛЕКТРИЧЕСКА БЕЗОПАСНОСТ

- a) **Щепселите на електрическия инструмент трябва да съответстват на контакта. Никога не модифицирайте щепсела по какъвто и да е начин. Не използвайте какъвто и да е адаптер със заземени електрически инструменти.** Немодифицираните щепсели и съответстващите контакти ще намалят риска от електрически шок.
- b) **Избягвайте контакт на тялото със заземени повърхности като тръби, радиатори, кухненски печки и хладилници.** Съществува повишена опасност от токов удар, ако тялото Ви е заземено.
- c) **Не излагайте електрическите инструменти на дъжд или влажни условия.** Навлизането на вода в електрическия инструмент ще увеличи риска от токов удар.
- d) **Не злоупотребявайте с кабела. Никога не**

**използвайте кабела за пренасяне, изтегляне или изключване от контакта на електрическия инструмент. Дръжте кабела настрана от топлина, масло, остри ръбове или движещи се части.** Повредени или оплетени кабели увеличават риска от електрически удар.

- e) **Когато работите с електрически инструмент на открито, използвайте удължителен кабел подходящ за употреба на открито.** Употребата на кабел подходящ за употреба на открито намалява риска от електрически удар.
  - f) **Ано работата с електрическия инструмент на влажно място е неизбежна, използвайте захранване с дефектнотокова защита (RCD).** Употребата на RCD намалява риска от токов удар.
- ### 3) ЛИЧНА БЕЗОПАСНОСТ
- a) **Внимавайте, гледайте какво правите и използвайте здрав разум, когато работите с електрически инструмент. Не използвайте електрически инструмент, когато сте уморени или когато сте под влияние на наркотици, алкохол или лекарята.** Момент невнимание по време на работата с електрически инструмент, може да доведе до сериозно лично нараняване.
  - b) **Използвайте лични предпазни средства. Винаги носете защита за очите.** Защитно оборудване като прахови маски, не плъзгащи се безопасно обувки, твърда каска или защита за слуха използвана при подходящи условия ще намали риска от лични наранявания.
  - c) **Предотвратете непреднамерено пускане. Уверете се, че ключът е в изключена позиция, преди да свържете към захранване и/или батерия, повдигайки или носейки инструмента.** Пренасянето на електроинструменти с пръст на превключателя или наелектризиран електроинструменти с включен превключател създава условия за злополуки.
  - d) **Извадете всеки регулиращ ключ или гаечен ключ, преди да включите захранването.** Гаечен или друг ключ оставен закачен към въртящите се части на електрическия инструмент, може да доведе до лично нараняване.
  - e) **Не се протягайте. Запазете правилна стойка и баланс по всяко време.** Това позволява по-добър контрол върху електрическия инструмент в непредвидени ситуации.
  - f) **Облечете се подходящо. Не носете свободни дрехи или накити. Дръжте носата и дрехите си далеч от движещи се части.** Свободни дрехи, накити или дълга коса, могат да бъдат хванати в движещите се части.
  - g) **Ано са предоставени устройства за свързване на прахоуловител или съоръжения за събиране, уверете се, че те са свързани и са правилно използвани.** Употребата на устройства за събиране на прах може да намали рисковете свързани с прах.
  - h) **Не позволявайте на рутинността придобита от честата употреба на инструмента да позволи да станете небрежни и да игнорирате принципите за безопасност на инструмента.** Небрежно действие може да причини сериозно нараняване за части от секундата.



#### 4) УПОТРЕБА И ГРИЖА ЗА ЕЛЕКТРИЧЕСКИЯ ИНСТРУМЕНТ

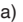
- a) **Не пресилвайте електрически инструмент.** Използвайте правилния електрически инструмент за вашата работа. Правилният електрически инструмент ще свърши работата по-добре и по-безопасно при капацитета за който е проектиран.
- b) **Не използвайте електрическия инструмент ако ключът не го включва или изключва.** Всеки електрически инструмент, който не може да бъде контролиран от ключа е опасен и трябва да бъде поправен.
- c) **Разкачете щепсела от захранването и/или извадете батерията, ако може да се извади, от електрическия инструмент, преди да извършите настройка, смяна на аксесоари или съхраняване на инструментите.** Подобни превантивни мерки за безопасност намаляват риска от стартиране на инструмента инцидентно.
- d) **Дръжте свободния електрически инструмент извън достъпа до деца и не позволявайте хора, които не са запознати с електрическия инструмент или тези инструкции да работят с него.** Електрическите инструменти са опасни в ръцете на необучени потребители.
- e) **Поддръжка на електрически инструменти и аксесоари.** Проверете за разместване или блокиране на подвижни части, счупване на части, и всякакви други условия, които могат да повлияят на работата на електрическия инструмент. При повреда ремонтирайте инструмента преди употреба. Много инциденти са причинени от лошо поддържани електрически инструменти.
- f) **Дръжте режещите инструменти остри и чисти.** Правилно поддържани режещи инструменти, с остри режещи ръбове е по-малко вероятно да се заклещат и по-лесно се контролират.
- g) **Използвайте електрическия инструмент, аксесоарите, частите на инструмента и т.н. в съответствие с тези инструкции, като вземете предвид условията на работа и вида работа, която ще бъде извършвана.** Употребата на електрическия инструмент за дейности различни от предназначенията може да доведе до опасни ситуации.
- h) **Дръжте ръкохватките и повърхностите за захващане сухи, чисти и без масло и грес.** Хлъзгавите ръкохватки и места за захващане не позволяват безопасно боравене и контролиране на инструмента при неочаквана ситуация.
- 5) **УПОТРЕБА И ГРИЖА ЗА ИНСТРУМЕНТ С БАТЕРИЯ**
- a) **Презареждайте само със зарядното устройство определено от производителя.** Зарядно устройство, което е подходящо за един вид акумулаторна батерия може да създаде опасност от пожар, когато се използва с друга акумулаторна батерия.
- b) **Използвайте електрически инструменти само със специфично обозначени акумулаторни батерии.** Използването на всяка друга акумулаторна батерия може да създаде риск от нараняване и

пожар.

- c) **Когато акумулаторните батерии не са в употреба ги дръжте на разстояние от други метални обекти, като кламери, монети, ключове, пирони, отвертки или други малки метални предмети, които могат да направят свързване между клемите.** Свързване на късо на клемите на батерията може да причини изгаряне или пожар.
- d) **При условия на злоупотреба, може да се изхвърли течност от батерията.** Избягвайте контакт. В случай на инцидентен контакт измийте с вода. Ако течността влезе в контакт с очите, потърсете допълнително медицинска помощ. Течността изхвърлена от батерията може да причини раздразнение или изгаряния.
- e) **Не използвайте акумулаторна батерия или инструмент, които са повредени или модифицирани.** Повредените или модифицираните батерии може да проявят непредсказуемо поведение, което да доведе до пожар, експлозия или риск от нараняване.
- f) **Не излагайте батерията или инструмента на огън или прекомерна температура.** Излагане на огън или температури над 130 °C може да причини експлозия.
- g) **Следвайте всички инструкции за зареждане и не зареждайте батерията или инструмента извън температурния обхват зададен в инструкциите.** Неправилното зареждане или зареждане извън определения температурен обхват може да повреди батерията и да повиши риска от пожар.
- 6) **ОБСЛУЖВАНЕ**
- a) **Обслужвайте вашия електрически инструмент чрез квалифициран техник, като използвате само идентични резервни части.** Това ще осигури поддържането на безопасност не електрическия инструмент.
- b) **Никога не поправете повредени акумулаторни батерии.** Ремонтът на акумулаторни батерии трябва да бъде извършван от производителя или оторизиран сервиз.

#### ПРЕДУПРЕЖДЕНИЯ ЗА БЕЗОПАСНОСТ ЗА БЕЗЖИЧНИ ЦИРКУЛЯРНИ ТРИОНИ

##### 1) ПРОЦЕДУРИ НА РЯЗАНЕ

- a) ** ОПАСНОСТ:** Дръжте ръцете си далеч от зоната на рязане и режещия диск. Дръжте втората си ръка на спомагателната ръкохватка или корпуса на двигателя. Ако и двете ръце държат триона, те не могат да бъдат прерязани от режещия диск.
- b) **Не посегайте под детайла.** Предпазителят не може да ви предпази от диска под детайла.
- c) **Регулирайте дълбочината на рязане според детелината на детайла.** Под детайла трябва да се виждат по-малко от един пълен зъб на зъбите на диска.
- d) **Никога не дръжте детайла, който се реже, в ръцете или напречно на крапа си.** Закрепете детайла към стабилна платформа. Важно е да поддържате детайла правилно, за да сведете до

минимум излагането на риск на тялото, засядането на диска или загубата на контрол.

- e) **Дръжте електроинструмента само за изолираните повърхности на захващане, когато извършвате операция, при която режещият инструмент може да се допре до скрити проводници или до собствения си кабел** (контактът с проводник под напрежение ще направи откритите метални части на електроинструмента „под напрежение“ и може да доведе до токов удар).
- f) **При разкъсване винаги използвайте паралелен водач или водач с прав ръб.** Това подобрява точността на рязане и намалява вероятността от засядане на диска.
- g) **Винаги използвайте режещи дискове с правилния размер и форма (във вид на диамант вместо кръгли) на отворите за закрепване.** Режещи дискове, които не съответстват на монтажните части на циркулярния трион, ще се въртят ексцентрично, причинявайки загуба на управление.
- h) **Никога не използвайте повредени или неправилни шайби или болтове.** Шайбите и болтовете на диска са специално проектирани за вашия трион, за оптимална работа и безопасност при работа.

## 2) ПРИЧИНИ ЗА ОТКАТ И СВЪРЗАНИ ПРЕДУПРЕЖДЕНИЯ

- Откат е внезапна реакция на притиснат, заседнал или неправилно подравнен диск на триона, причиняващ неконтролирано повдигане на триона нагоре и навън от детайла към оператора;
  - Когато дискът е притиснат или здраво заседнал от затварянето на прореза, дискът спира и двигателната реакция придвижва устройството бързо обратно към оператора;
  - Ако дискът се усуче или се разцентрова в разреза, зъбите на задния край на диска могат да се заклинят в горната повърхност на дървото, причинявайки изкачане на диска от вдлъбнатината и отскачане назад към оператора
  - Откатът е резултат на злоупотреба с електрическия инструмент и/или неправилни процедури или условия на работа и може да бъде избегнат като се вземат правилни предпазни мерки, които са посочени долу.
- a) **Поддържайте здрав захват с две ръце на триона и разположете ръцете си така, че да се противопоставят на силите на отката.** Разположете тялото си от двете страни на режещия диск, но не на една линия с него. Откатът може да доведе до отскачане на триона назад, но силата на отката може да се контролира от оператора, ако се вземат подходящи предпазни мерки.
  - b) **Когато дискът е заседнал или когато прекъсвате рязането по някаква причина, освободете спусъка и задръжте триона неподвижен в материала, докато дискът спре напълно. Никога не се опитвайте да извадите триона от детайла или да дърпате триона назад, докато дискът е в движение или може да настъпи откат.** Прочетете и предприемете коригиращи действия, за да отстраните причината за засядането на диска.

Избягвайте рязане на пирони или винтове.

- c) **Когато рестартирате трион в детайла, центрирайте режещия диск в прореза и проверете дали зъбите на триона не се зацепват в материала.** Ако дискът на триона заседне, той може да се изкачи или да отскочи от детайла при рестартирането на триона.
  - d) **Поддържайте големи панели, за да сведете до минимум риска от прищипване и откат на диска. Големите панели са склонни да провисват под собственото си тегло.** Опорите трябва да се поставят под панела от двете страни, близо до линията на рязане и близо до ръба на панела.
  - e) **Не използвайте тъпи или повредени дискове.** Незаточени или неправилно поставени режещи дискове произвеждат тесен срез причиняващ прекомерно триене, засядане на диска и откат.
  - f) **Заклочващите лостове за регулиране на дълбочината и наклона трябва да са затегнати и сигурни, преди да извършите рязането.** Ако регулирането на диска се измени по време на рязане, това може да причини засядане и откат.
  - g) **Бъдете особено внимателни при рязане в съществуващи стени или други слепи зони.** Издаващият се диск може да отреже предмети, които могат да причинят откат.
- ## 3) ФУНКЦИЯ НА ДОЛНИЯ ПРЕДПАЗИТЕЛ
- a) **Преди всяка употреба проверявайте долния предпазител за правилно затваряне. Не работете с триона, ако долният предпазител не се движи свободно и не затвара незабавно. Никога не захващайте и не завързвайте долния предпазител в отворено положение.** Ако трионът бъде изпуснат случайно, долният предпазител може да се огъне. Повдигнете долния предпазител с прибиращата се дръжка и се уверете, че се движи свободно и не докосва диска или която и да е друга част, във всички ъгли и дълбочини на рязане.
  - b) **Проверете работата на пружината на долния предпазител. Ако предпазителят и пружината не работят правилно, те трябва да бъдат обслужени преди употреба.** Долният предпазител може да работи бавно поради повредени части, лепкави отлагания или натрупване на отломки.
  - c) **Долният предпазител трябва да се прибира ръчно само за специални разрези като връзващи се разрези и сложни разрези.** Повдигнете долния предпазител за прибиращата се ръкохватка и веднага щом дискът влезе в материала, долният предпазител трябва да се освободи. За всички други видове рязане долният предпазител трябва да работи автоматично.
  - d) **Винаги съблюдавайте това, долният предпазител да покрива диска, преди да поставите триона върху пейка или под.** Незащитен, движещ се по инерция диск ще накара триона да се върти назад, като отрязва всичко всичко, което му попадне по своя път. Бъдете наясно с времето, необходимо за спиране на диска, след освобождаване на превключвателя.

## ДОПЪЛНИТЕЛНИ ПРЕДУПРЕЖДЕНИЯ ЗА БЕЗОПАСНОСТ

## ОБЩО

- Този инструмент не трябва да се използва от лица под 16 години
- Този инструмент не е подходящ за мокро рязане
- **Не обработвайте съдържащ азбест материал** (азбестът е канцерогенен)
- Прахът от някои материали, като например съдържаща олово боя, някои видове дървесина, минерали и метали може да бъде вреден (контакт или вдишване на такъв прах могат да причинят алергични реакции и/или респираторни заболявания на оператора или стоящите наблизо лица); **използвайте противопрахова маска и работете с аспириращо прахта устройство, когато такова може да бъде свързано**
- Определени видове прах са класифицирани като карциногенни (като прах от дъб и бук) особено когато са комбинирани с добавки за подобряване на състоянието на дървесината; **използвайте противопрахова маска и работете с аспириращо прахта устройство, когато такова може да бъде свързано**
- Спазвайте свързаните с праха национални изисквания за материалите, с които искате да работите.
- Не използвайте този трион в комбинация с маса за трион
- Изваждайте батерията от инструмента преди всякакви регулировки или смяна на аксесоари

## АНКСЕСОАРИ

- SKIL може да осигури безаварийна работа на инструмента, само ако се използват оригинални аксесоари
- Използвайте само режещи дискове, които съответстват на посочените в това ръководство за експлоатация данни и са изпитани и маркирани по EN 847-1
- Използвайте само аксесоари с допустима скорост, съответстваща поне на най-високата скорост на празен ход на инструмента
- Използвайте само режещи дискове с минимален диаметър от 184 мм, максимален диаметър от 184 мм и отвор на шпиндела от 16 мм
- Никога не използвайте режещи дискове, изработени от бързорезна стомана (HSS)
- Никога не използвайте дискове за шлайфане/рязане с този инструмент

## ПРЕДИ ИЗПОЛЗВАНЕ

- Избягвайте повреди, които могат да бъдат причинени от винтове, гвоздеи и други метални елементи в обработвания детайл; отстранете ги преди да започнете работа
- Преди да започнете да режете, отстранете всички препятствия отгоре и отдолу на пътя за рязане
- **Обезопасете работния материал** (материал, затегнат в затягащ инструмент или в менгеме е по-устойчив, отколкото ако се държи в ръка)
- **За да откриете скрити под повърхността електро-, водо- и газопроводи, използвайте подходящи уреди или се обърнете към местното снабдително дружество** (прекъсването на електропроводници под напрежение може да предизвика пожар и/или токов удар; увреждането на газопровод може да предизвика експлозия; засягането на водопровод може да предизвика значителни материални щети и/или токов удар)

## ПО ВРЕМЕ НА ИЗПОЛЗВАНЕ

- Нивото на шума при работа може да надвишава 85 dB(A); носете защита за слуха
- Никога не използвайте инструмента без оригиналната система от предпазители
- Не се опитвайте да режете изключително малки детайли
- Не работете над главата с инструмента
- 
- В случай на засядане или електрическа, или механична неизправност изключете незабавно инструмента и извадете батерията.

## СЛЕД ИЗПОЛЗВАНЕ

- Когато оставяте инструмента, изключете двигателя и се уверете, че всички подвижни части са напълно неподвижни
- След като изключите циркулярния трион, никога не спирайте въртенето на режещия диск чрез странична сила, приложена срещу него

## АКУМУЛАТОРНИ БАТЕРИИ

- **Доставената в комплекта батерия е частично заредена** (за да осигурите пълен капацитет на батерията, заредете напълно батерията в зарядното устройство за батерия, преди да използвате вашия електроинструмент за първи път)
- **Използвайте само следните батерии и зарядни устройства с този инструмент**
  - SKIL батерия: BR1\*31\*\*\*\*
  - SKIL зарядно устройство: CR1\*31\*\*\*\*
- Не използвайте батерията, когато е повредена; тя трябва да бъде заменена
- Не разглобявайте батерията
- Не излагайте на дъжд инструмента/батерията
- Допустима температура на околната среда (инструмент/зарядно устройство/батерия):
  - при зареждане 4...40°C
  - по време на работа -20...+50°C
  - при съхраняване -20...+50°C

## ОБЯСНЕНИЕ НА СИМВОЛИТЕ ВЪРХУ ИНСТРУМЕНТА/ БАТЕРИЯТА

- ③ Преди употреба прочетете ръководството с инструкции
- ④ Хвърлен в огън, акумулаторът ще експлодира, така че не изгаряйте акумулатора по каквато и да е причина
- ⑤ Съхранявайте инструмента/зарядното устройство/ батерията в помещението при температури, не по-високи от 50°C
- ⑥ Не изхвърляйте електроуредите и батерии заедно с битови отпадъци

## УПОТРЕБА

- Зареждане на акумулаторната батерия  
**! прочетете предупрежденията и инструкциите за безопасност, доставени със зарядното устройство**
- Изваждане/инсталиране на батерията ②
- Поставяне на острие ②  
**! изваждайте батерията от инструмента**
  - вземете шестстенния ключ А от мястото му за съхранение В
  - натиснете бутона за блокиране на шпиндела С и го задържете, докато отстраните болта на диска D, като въртите шестстенния ключ А **ОБРАТНО** НА

- ЧАСОВНИКОВАТА СТРЕЛКА (= в същата посока, както е показано със стрелка върху режещия диск)
- ! **натисканите бутона за блокиране на шпиндела С само, когато инструментът е напълно спрял**
  - освободете бутона за блокиране на шпиндела С
  - отстранете фланеца Е
  - ! **проверете дали затягащите повърхности Н на фланците са свършено чисти и с лице към диска**
  - отворете долния предпазител F с лостчето G и го задръжте, докато поставите режещия диск, така че режещите зъби и стрелката върху диска да сочат в същата посока, както и стрелката върху долния предпазител
  - освободете долния предпазител F
  - поставете фланеца Е
  - натиснете бутона за блокиране на шпиндела С го задръжте, докато затягате болта с шестостенен ключ на 1/8 оборота след позицията на ръчно затягане (позволява приплъзване на режещия диск при голямо съпротивление, което намалява претоварването на двигателя и отката)
  - освободете бутона за блокиране на шпиндела С
  - Регулiranje на дълбочината на рязане (0-66 мм) ⑦
  - за оптимално качество на рязане режещият диск на триона не трябва да се издава на повече от 3 мм под детайла
  - разхлабете копчето J
  - повдигнете/свалете опората K, докато на скалата бъде настроена дълбочината на рязане, като използвате индикатора L
  - затегнете копчето J
  - Индикатор за нивото на заряд на батерията ⑧
  - натиснете бутона за индикатора на нивото на заряд на батерията AC за показване на текущото ниво на заряд на батерията ⑧а
  - ! **Когато най-ниското ниво на индикатора за батерията започне да мига след натискане на бутона AC ⑧b, батерията е разредена**
  - ! **Когато 2 нива на индикатора на батерията започнат да мигат след натискане на бутона AC ⑧c, батерията не е в допустимия работен температурен диапазон**
  - LED светлина ⑫ V
  - LED светлината светва автоматично, когато се активира превключвателят за включване/изключване
  - ! **когато LED светлината започне да мига, защитата на батерията е активирана (вижте по-долу)**
  - Защита на акумулаторната батерия
  - Инструментът внезапно се изключва или не може да се включи, когато
  - натоварването е прекалено голямо -> премахнете натоварването и рестартирайте
  - температурата на батерията е извън допустимия работен температурен диапазон от -20 до +50°C
  - > 2 нива на индикатора за заряд на батерията започват да мигат, когато натискате бутона AC ⑧c; изчакайте, докато батерията си възвърне допустимия работен температурен диапазон
  - литиево-йонната батерия е почти изтощена (за защита срещу дълбок разряд) --> ниско ниво на батерията или мигащо ниско ниво на батерията ⑧b се показва от индикатора за нивото на батерията при натискане на бутона AC; зареждане на батерията
  - ! **след автоматичното изключване на инструмента не продължавайте да натискате спусъка, понеже може да се повреди акумулаторът**
  - Регулiranje на ъгъла на рязане (0 – 56°) ⑨
  - разхлабете лоста M
  - наклонете инструмента, докато на скалата бъде настроен ъгълът на рязане, като използвате индикатора N
  - ограничителят за 45° скосяване P предлага бърза настройка на ъгъла на скосяване 45°
  - за да зададете ъгъл на скосяване, по-голям от 45°, завъртете ограничителя за скосяване 45° P, за да го извадите от индикатора N
  - затегнете лоста M
  - ! **при рязане на скосявания, дълбочината на рязане не съответства на стойността на скалата за дълбочина на рязане**
  - Индикатор на линията на рязане Q ⑩
  - за водене на инструмента по желаната линия на рязане, маркирана върху обработвания детайл
  - за прав 0° разрез или 45° скосен разрез използвайте съответната линия на индикатора
  - ! **широката част на опората трябва да легне върху поддържаната страна на обработвания детайл**
  - ! **ширината на рязане се определя от ширината на зъбите на диска, а не от ширината на тялото на диска**
  - ! **винаги първо извършвайте пробни рязания, за да проверите действителната линия на рязане**
  - Изсмукване на праха ⑪
  - Прикрепете адаптера за прахосмукачка R към триона с винта с глава Phillips
  - За използване на прахосмукачка
  - свържете маручна на прахосмукачката към адаптера за прахосмукачка R
  - ! **внимавайте тръбата на прахосмукачката да не пречи на долния предпазител или на операцията рязане**
  - Торбичка за прах
  - монтирайте торбичката за прах AD
  - Работа с инструмента
  - монтиране на батерията
  - винаги дръжте ръкохватката S здраво с едната ръка и ръкохватката T здраво с другата ръка
  - поставете инструмента с предния край на крака плоско върху детайла
  - ! **уверете се, че зъбите на циркуляра не са забити в обработвания детайл**
  - включете инструмента, като първо натиснете предпазен изключвател W и след това издърпате спусък-включвател Y
  - ! **преди режещият диск да влезе в детайла, инструментът трябва да работи на пълна скорост**
  - долният предпазител F се отваря автоматично, когато режещият диск влезе в обработвания детайл (отворете долния предпазител ръчно като

използвате лостчето G само за специални рязания, например рязане на вътрешни прорези)

**! не насилвайте инструмента (прилагайте лек и непрекъснат натиск, за да не прегреят върховете на остриетата)**

- след завършване на рязането, изключете инструмента чрез освобождаване на спусъка Y

**! преди да вдигнете инструмента от детайла, се уверете, че ножът е в пълен покой**

## СЪВЕТИ ЗА ПРИЛОЖЕНИЕТО

- Винаги насочвайте добрата страна на детайла надолу, за да осигурите минимално раздробяване
- Използвайте само остри режещи дискове от правилния тип <sup>13</sup>
  - качеството на рязане се подобрява от броя на зъбите
  - режещите дискове с карбиден връх остават остри до 30 пъти по-дълго време от обикновените режещи дискове
- Кръстосани разрези/разрези <sup>14</sup>
  - Кръстосани или прорезни разрези се извършват лесно с паралелен водач Z.
  - изравнете ориентира с индикатора за линия на рязане 0° Q на крачето
  - вкарайте паралелния водач Z през прорезите от двете страни на стъпалото до желаната ширина и го закрепете с ръкохватката AA
- ! следете оградата за рязане да не пречи на свободното движение на долния предпазител и на триона.**
- Рязане с връзване <sup>15</sup>
  - настройте желаната дълбочина на рязане
  - наклонете инструмента към индикатора на линията на рязане Q подравнен с желаната линия на рязане, маркирана на обработвания детайл
  - отворете долния предпазител F с лостчето G
  - точно преди режещият диск да влезе в детайла, включете инструмента и постепенно спуснете задния край на инструмента, като използвате предния край на крака като точка на завъртане
  - постепенно премествайте инструмента надолу, както и напред
  - веднага щом режещият диск навлезе в материала, освободете лостчето G
- ! никога не дърпайте инструмента назад**
- Рязане на големи панели <sup>16</sup>
  - подпирайте панела близо до рязането на пода, масата или работната маса
- ! настройте дълбочината на рязане така, че да режете през панела, а не през стойката**
- в случай че паралелният водач не позволява желаната ширина на рязане, стегнете или приковете право парче дърво към обработвания детайл като водач и използвайте лявата страна на опората срещу този водач <sup>17</sup>
- Рязане с направляваща релса <sup>18</sup> \*HE E СТАНДАРТНО ВКЛЮЧЕНА
  - Използването на направляваща релса осигурява прецизни, прави и точни срезове с 0° или 45° скосяване.
  - Преди да направите първия разрез с направляващата релса, гуменият ръб трябва да се

адаптира към използвания циркуляр.

- за прав 0° срез, подравнете страната с 0° скок на релсата AE (или страната с 45° скок при 45° срез) с желаната линия на срез, отбелязана върху детайла.
- Закрепете здраво направляващата релса AE върху обработвания детайл с помощта на скоби за направляваща релса AF <sup>18</sup> \*HE CE ВКЛЮЧВА В СЪСТАВА
- плъзнете триона върху релсата AE и завъртете копчетата за регулиране на направляващия прорез U по посока на часовниковата стрелка, за да намалите до минимум разстоянието между прореза в крачето и повдигнатото ребро на релсата AE, и се уверете, че трионът може да се плъзга свободно по релсата, без да се люлее настрани.
- когато настройвате дълбочината на рязане, не забравяйте да вземете предвид дебелината на направляващата релса AE
- да насочвате триона равномерно с бавна скорост на подаване през края на релсата
- За повече информация вижте [www.skil.com](http://www.skil.com)

## ПОДДРЪЖКА/СЕРВИЗ

- Този инструмент не е предназначен за професионална употреба
- Винаги дръжте инструмента чист!
- ! извадете батерията от инструмента преди почистване**
- Винаги поддържайте чиста зоната около долния предпазител F <sup>2</sup> (отстранете чрез издухване със сгъстен въздух или с четка праха и стърготините)
- Почиствайте режещия диск веднага след употреба (особено от смола и лепило)
- Ако инструментът се повреди въпреки грижите, положени при производството и изпитването, ремонтът трябва да се извърши в център за следпродажбено обслужване на електроинструменти SKIL.
  - занесете инструмента в **неразглобен** вид заедно с доказателство за покупката му в търговския обект, откъдето сте го закупили, или в най-близкия сервиз на SKIL (адресите, както и схемата за сервизно обслужване на електроинструмента, можете да намерите на адрес [www.skil.com](http://www.skil.com))
- Имайте предвид, че повреда поради претоварване или неправилно манипулиране с инструмента ще бъдат изключени от гаранцията (за условията на гаранцията от SKIL виж на интернет адрес: [www.skil.com](http://www.skil.com) или попитайте вашия дилър)

## ОКОЛНА СРЕДА

Само за страни от ЕС

- Не изхвърляйте електроуредите, приспособленията и опаковките заедно с битови отпадъци
- съобразно Директивата на ЕС 2012/19/ЕО относно износени електрически и електронни уреди и отразяването ѝ в националното законодателство износените електроуреди следва да се събират отделно и да се предават за рециклиране според изискванията за опазване на околната среда
- символът <sup>6</sup> ще ви напомни за това, когато е необходимо изхвърляне



**! преди да извърлите батерията, защитете изходите ѝ с дебела лепенка, за да няма опасност от възникване на късо съединение**

## ШУМ / ВИБРАЦИИ

- Измерено в съответствие с EN 62841, нивото на звуково налягане на този инструмент е 91 dB(A) и ниво на звукова мощност 102 dB(A) (неопределеност K = 3 dB), и вибрациите \* (триаксна векторна сума; неопределеност K = 1,5 m/s<sup>2</sup>) \* рязане на дърво < 2,5 m/s<sup>2</sup>
  - Нивото на предадените вибрации е измерено в съответствие със стандартизирания тест, определен в EN 62841; то може да се използва за сравнение на един инструмент с друг и като предварителна оценка на подлагането на вибрации при използването на инструмента за посочените приложения
    - използването на инструмента за различни от тези приложения или с други, или лошо поддържани аксесоари може значително да **повиши** нивото, на което сте подложени
    - периодите от време, когато инструмента е изключен или съответно включен, но с него не се работи в момента могат значително да **намалят** нивото на което сте подложени
- ! предпазвайте се от ефектите от вибрациите, като поддържате инструмента и аксесоарите му, пазите ръцете си топли и организирате вашите модели на работа**

SK

## Bezkontaktná akumulátorová kotúčová píla 3571

### ÚVOD

- Tento prístroj je určený na pozdĺžne a priečne rezanie dreva rovnými rezními ako aj uhlovými rezními do 56°
- Toto náradie nie je vhodné na profesionálne použitie
- Prečítajte a uschovajte tento návod na použitie ③

## TECHNICKÉ ÚDAJE

### ČASŤI NÁRADIA

- A Imbusový kľúč
- B Uložné miesto pre imbusový kľúč
- C C Tlačidlo aretácie vretena
- D D Kotúčová skrutka
- E E Príruba
- F F Spodný chránič
- G G Páčka pre otvorenie spodného chrániča
- H H Upínacia plocha
- J J Gombík na nastavenie hĺbky rezu
- K K Základňa pätky
- L L Indikátor hĺbky rezu
- M M Páka na nastavenie uhla rezu
- N N Kontrolka uhla rezu
- P P 45° zarážka zošikmenia
- Q Q Kontrolka čiary rezu
- R R Adaptér na vysávač
- S S Zadná rukoväť

- T T Predná rukoväť
  - U U Gombíky na nastavenie vodiacej štrbiny
  - V V LED svetlo
  - W W Bezpečnostný spínač
  - X X Drážka vedenia
  - Y Y Hlavný vypínač
  - Z Z Paralelné vedenie
  - AA AA Gombík na nastavenie paralelného vedenia
  - AB AB Háčik
  - AC AC Kontrolka nabitia akumulátora
  - AD AD Vrecko na prach\*
  - AE AE Vodiaca lišta\*
  - AF AF Svorka vodiacej lišty\*
- \* ŠTANDARDNE SA NEDODÁVA

## BEZPEČNOSŤ

### VŠEOBECNÉ BEZPEČNOSTNÉ UPOZORNENIA PRE ELEKTRICKÉ NÁRADIE

**VAROVANIE:** Prečítajte si všetky bezpečnostné upozornenia, pokyny, ilustrácie a špecifikácie dodané s týmto elektrickým náradím. Nedodržanie nižšie uvedených pokynov môže mať za následok úraz elektrickým prúdom, požiar a/alebo vážne zranenie.

Všetky varovania a pokyny si ponechajte pre prípadnú potrebu v budúcnosti.

Termín „elektrický nástroj“ vo varovaniach znamená váš elektrický nástroj zapojený (cez kábel) do prívodu elektrickej energie alebo napájaný (bezdrôtovo) z akumulátora.

### 1) BEZPEČNOSŤ PRACOVISKA

- Udržujte pracovisko čisté a dobre osvetlené.** Neporiadok alebo tmavé miesta spôsobujú nehody.
- Nepoužívajte elektrické náradie vo výbušnom prostredí, napríklad v prítomnosti horľavých kvapalín, plynov alebo prachu.** Elektrické náradie je zdrojom iskrenia, ktoré môže zapáliť prach alebo výpary.
- Pri používaní elektrického náradia udržiavajte deti a okolostojace osoby mimo pracoviska.** Rozptyľovanie pozornosti môže viesť ku strate kontroly.

### 2) ELEKTRICKÁ BEZPEČNOSŤ

- Zástrčka elektrického náradia musí zodpovedať elektrickej zásuvke. Nikdy a žiadnym spôsobom nemodifikujte zástrčky s uzemneným elektrickým náradím.** Neupravené zástrčky a vhodné zásuvky obmedzia nebezpečenstvo úrazu elektrickým prúdom.
- Zabráňte kontaktu tela s uzemneným povrchmi, ako sú rúry, radiátory, sporáky a chladničky.** Dochádza k zvýšeniu rizika úrazu elektrickým prúdom, ak je vaše telo uzemnené.
- Chráňte elektrické náradie pred dažďom a vlhkým prostredím.** Vniknutie vody do elektrického náradia zvyšuje riziko úrazu elektrickým prúdom.
- Nepoužívajte kábel nesprávnym spôsobom. Nepoužívajte ho na prenášanie, ťahanie alebo odpájanie elektrického náradia. Udržujte kábel v dostatočnej vzdialenosti od zdrojov tepla, oleja, ostrých hrán alebo pohyblivých častí.** Poškodená alebo zamotaná šnúra zvyšuje riziko zasiahnutia

- elektrickým prúdom.
- e) **Ak sa chystáte náradie použiť v exteriéroch, použite výhradne predlžovaciu šnúru vhodnú na použitie v exteriéroch.** Použitie šnúry vhodnej pre použitie v exteriéroch znižuje riziko úrazu elektrickým prúdom.
- f) **Ak je používanie elektrického náradia vo vlhkom prostredí nevyhnutné, použite napájanie chránené prúdovým chráničom (RCD).** Použitie prúdového chrániča znižuje riziko úrazu elektrickým prúdom.
- 3) OSOBNÁ BEZPEČNOSŤ**
- a) **Buďte pozorní, sledujte to, čo robíte a používajte zdravý rozum pri práci s elektrickým náradím. Nepoužívajte elektrické náradie, ak ste unavení alebo pod vplyvom drog, alkoholu alebo liekov.** Chvilíková nepozornosť pri práci s elektrickým náradím môže mať za následok vážne zranenie.
- b) **Používajte osobné ochranné pomôcky. Vždy používajte ochranu očí.** Ochranné prostriedky ako respirátor, protišmyková bezpečnostná obuv, prilba alebo chrániče sluchu použité za vhodných podmienok znižujú nebezpečenstvo zranenia.
- c) **Zabráňte neúmyselnému uvedeniu do prevádzky. Pred pripojením k zdroju napájania a/alebo akumulátora, pri zdvíhaní alebo prenášaní náradia sa uistite, že prepínač je vo vypnutej polohe.** Prenášanie náradia s prstom na spínači, alebo prenášanie zapnutého elektrického náradia zvyšuje riziko úrazu.
- d) **Pred spustením náradia vždy odstráňte nastavovací klin alebo kľúč.** Kľúč alebo klin, ktorý necháte pripevnený k otáčajúcej sa časti elektrického náradia, môže spôsobiť zranenie osôb.
- e) **Neprečunujte sa. Pri práci vždy dodržujte správny postoj a rovnováhu.** To umožní lepšiu ovládateľnosť náradia v nečakaných situáciách.
- f) **Noste vhodné oblečenie. Nenoste šperky alebo voľný odev. Udržujte vlasy a oblečenie mimo dosah pohyblivých sa častí.** Voľný odev, šperky alebo dlhé vlasy môžu byť zachytené pohyblivými sa dielmi.
- g) **Pokiaľ je náradie vybavené zariadením na zachytávanie prachu a úlomkov materiálu, skontrolujte, či je k náradiu správne pripavené.** Použitie odsávania prachu môže znížiť nebezpečenstvo, ktoré súvisí s prachom.
- h) **Nedovoľte, aby ste sa po získaní skúseností častým používaním náradia stali neobozretnými a ignorovali zásady bezpečnosti.** Nedbalá činnosť môže spôsobiť vážne zranenie za zlomok sekundy.
- 4) POUŽITIE ELEKTRICKÉHO NÁRADIA A STAROSTLIVOSŤ**
- a) **Stroj nepreťažujte. Používajte správny typ náradia určený na danú prácu.** Náradie bude pracovať lepšie a bezpečnejšie pri rýchlosti, na ktorú bolo navrhnuté.
- b) **Nepoužívajte elektrické náradie, ak sa nedá zapnúť a vypnúť použitím vypínača.** Akékoľvek elektrické náradie, ktoré sa nedá ovládať vypínačom je nebezpečné a musí sa opraviť.
- c) **Pred akýmkoľvek úpravami, výmenou príslušenstva alebo uskladnením elektrického nástroja odpojte zástrčku od zdroja napájania a/alebo vyberte z nástroja akumulátor, ak je odpojitelný.** Takéto preventívne bezpečnostné opatrenia znižujú riziko náhodného spustenia elektrického náradia.
- d) **Uchovávajte nepoužívané elektronáradie mimo dosahu detí a nedovoľte, aby osoby neoboznámene s elektrickým náradím alebo s týmito pokynmi náradie používali.** Elektrické náradie je nebezpečné v rukách neskúsených používateľov.
- e) **Udržujte elektrické náradie a príslušenstvo. Skontrolujte nastavenie pohyblivých častí, poškodenie dielov a akékoľvek ďalšie okolnosti, ktoré môžu mať vplyv na funkciu elektrického náradia. Ak je elektrické náradie poškodené, nechajte ho pred použitím opraviť.** Veľa úrazov je zapríčinených zle udržiavaným náradím.
- f) **Rezacie náradie udržiavajte ostré a čisté.** Starostlivo ošetrované strihacie náradie s ostrými čepeľami menej pravdepodobne uviazne a jednoduchšie sa ovláda.
- g) **Používajte elektronáradie, príslušenstvo, vrtáky apod. podľa a týchto pokynov a respektujte pritom pracovné podmienky a vykonávanú činnosť.** Použitie elektrického náradia na iné ako určené účely môže viesť k nebezpečným situáciám.
- h) **Udržujte rukoväte a uchopovacie plochy suché, čisté, bez oleja a maziva.** Klzké držadlá a uchopovacie plochy neumožňujú bezpečnú manipuláciu s náradím a jeho ovládanie v nečakaných situáciách.
- 5) POUŽÍVANIE A STAROSTLIVOSŤ O AKUMULÁTOROVÝ NÁSTROJ**
- a) **Nabíjajte len pomocou nabíjajúcej špecifikovanej výrobcom.** Nabíjačka, ktorá je vhodná pre jeden typ akumulátora, môže predstavovať pri nabíjaní iného typu akumulátora nebezpečenstvo.
- b) **Používajte elektrické náradie iba s výslovnou určenými akumulátormi.** Použitie iných typov akumulátorov môže spôsobiť riziko úrazu a požiaru.
- c) **Pokiaľ akumulátor nepoužívate, držte ho mimo dosahu kovových predmetov, ako sú kancelárske sponky na papier, mince, kľúče, klince, skrutky alebo ďalšie drobné kovové predmety, ktoré môžu spôsobiť vzájomné skratovanie kontaktov.** Skratovanie kontaktov akumulátora môže spôsobiť popálenie alebo požiar.
- d) **Za nevhodných podmienok môže z akumulátora unikáť kvapalina.** Zabráňte kontaktu. Pri náhodnom kontakte opláchnite vodou. **Pri zasiahnutí očí vyhľadajte lekársku pomoc.** Unikajúca kvapalina z akumulátora môže spôsobiť podráždenie pokožky alebo popálenie.
- e) **Nepoužívajte akumulátor alebo náradie, ktoré sú poškodené alebo upravené.** Poškodené alebo upravené akumulátory môžu mať nepredvídateľné chovanie, ktoré môže viesť k požiaru, výbuchu alebo nebezpečenstvu poranenia.
- f) **Nevystavujte akumulátor ani nástroj ohňu alebo nadmernej teplote.** Pri vystavení ohňu alebo teplote nad 130 °C môže dôjsť k výbuchu.
- g) **Dodržujte všetky pokyny pre nabíjanie a nenabíjajte akumulátor alebo náradie mimo teplotného rozsahu uvedeného v pokynoch.** Nesprávne nabíjanie alebo nabíjanie pri teplotách mimo stanovený rozsah môže poškodiť akumulátor a zvýšiť riziko požiaru.
- 6) SERVIS**
- a) **Náradie zverte do opravy kvalifikovanej osobe, ktorá použije iba originálne náhradné diely.** Zabezpečte tak zachovanie bezpečnosti elektrického náradia.

- b) **Nikdy neopravujte poškodené akumulátory.** Servis akumulátorov smie robiť iba výrobca alebo autorizovaní servisní poskytovatelia.

## BEZPEČNOSTNÉ UPOZORNENIA PRE AKUMULÁTOROVÉ KOTUČOVÉ PÍLY

### 1) POSTUPY REZANIA

- a) - **NEBEZPEČENSTVO: Držte ruky mimo oblasti rezu a kotúča.** Druhú ruku držte na prídavnej rukoväti alebo kryte motora. Ak pílu držia obe ruky, kotúč ich nemôže prerezať.
- b) **Nesiahajte pod obrobok.** Ochranný kryt vás nemôže chrániť pred kotúčom pod obrobkom.
- c) **Hĺbkou rezu prispôbajte hrúbke obrobku.** Pod obrobkom by mal byť viditeľný menej ako celý zub kotúčovej píly.
- d) **Rezaný obrobok nikdy nedržte v rukách alebo cez nohu. Obrobok upevnite na stabilnú plošinu.** Je dôležité správne podprieť opracovaný materiál, aby sa minimalizovalo vystavenie tela, uviaznutie kotúča alebo strata kontroly.
- e) **Elektrické náradie držte za izolované plochy rukoväti pri vykonávaní takej práce, pri ktorej by mohol rezací nástroj natrafiť na skryté elektrické vedenia alebo zasiahnuť vlastnú prívodnú šnúru náradia** (kontakt s vedením, ktoré je pod napätím, spôsobí, že aj kovové súčiastky náradia sa dostanú pod napätie, čo má za následok zásah obsluhujúcej osoby elektrickým prúdom)
- f) **Pri rozrezávaní vždy používajte paralelné vedenie alebo vedenie s rovným okrajom.** Zlepšuje to presnosť rezu a znižuje možnosť uviaznutia kotúča.
- g) **Vždy používajte kotúče správnej veľkosti a tvaru upínacích otvorov (kosoštvorcové verzus okrúhle).** Kotúče, ktoré sa nezhodujú s montážnym príslušenstvom píly, budú bežať výstredne, čo spôsobí stratu kontroly.
- h) **Nikdy nepoužívajte poškodené alebo nesprávne podložky alebo skrutky kotúča.** Podložky a skrutky kotúča boli navrhnuté špeciálne pre vašu pílu, aby bol zaistený optimálny výkon a bezpečnosť prevádzky.

### 2) PRÍČINY SPÄTNÉHO RÁZU A SÚVISIACE UPOZORNENIA

- Spätňý ráz je náhla reakcia na zovretí, zaseknutí alebo nesprávne zarovnaný pílový kotúč, čo spôsobí, že sa píla nekontrolovane zdvihne a vysunie z obrobku smerom k operátorovi.
  - Keď sa pílový kotúč tesne priškrípne alebo zasekne zatváraním zárezu, kotúč sa zastaví a reakcia motora poháňa prístroj rýchlo späť k operátorovi.
  - Ak sa kotúč pri reze skrúti alebo vychýli, zuby na zadnej hrane kotúča sa môžu zaryť do horného povrchu dreva, čo spôsobí, že kotúč vyskočí zo zárezu a vyskočí späť k operátorovi.
  - Spätňý ráz je výsledkom nesprávneho použitia elektrického nástroja a/alebo nesprávnych pracovných postupov, alebo podmienok a dá sa mu predísť vykonaním nižšie uvedených opatrení:
- a) **Držte pílu pevne oboma rukami a ruky umiestnite tak, aby odolali silám spätného rázu. Umiestnite svoje telo po stranách kotúča, ale nie v jednej rovine s kotúčom.** Spätňý ráz môže spôsobiť, že píla skočí dozadu, ale sily spätného rázu môže ovládať operátor, ak

sa prijímú vhodné opatrenia.

- b) **Keď sa kotúč zasekne alebo z akéhokoľvek dôvodu prerušíte rez, uvoľnite hlavný vypínač a držte pílu nehybne v materiáli, kým sa kotúč úplne nezastaví.** Nikdy sa nepokúšajte vybrať pílu z obrobku alebo ťahať pílu dozadu, keď je kotúč v pohybe, inak môže dôjsť k spätnému rázu. Preskúmajte a vykonajte nápravné opatrenia na odstránenie príčiny uviaznutia kotúča. Vyhnite sa rezaniu klinecovej alebo skrutičky.
- c) **Pri opätovnom spustení píly v obrobku vycentrujte pílový kotúč v záreze a skontrolujte, či zuby píly nie sú zapadnuté do materiálu.** Ak sa pílový kotúč zasekne, môže pri opätovnom spustení píly vyskočiť alebo spätný ráz od obrobku.
- d) **Podoprite veľké panely, aby ste minimalizovali riziko zovretia kotúča a spätného rázu.** Veľké panely majú tendenciu klesať pod vlastnou hmotnosťou. Podpery musia byť umiestnené pod panelom na oboch stranách, v blízkosti línie rezu a blízko okraja panelu.
- e) **Nepoužívajte tupé alebo poškodené kotúče.** Neostrené alebo nesprávne nastavené kotúče vytvárajú úzky rez, ktorý spôsobuje nadmerné trenie, uviaznutie kotúča a spätný ráz.
- f) **Pred rezaním musia byť zaisťovacie páčky na nastavenie hĺbky a sklonu kotúča dotiahnuté a zaistené.** Ak sa nastavenie kotúča počas rezania posunie, môže to spôsobiť uviaznutie a spätný ráz.
- g) **Pri pílení do existujúcich stien alebo iných slepých oblastí buďte obzvlášť opatrní.** Vyčnievajúci kotúč môže rezať predmety, ktoré môžu spôsobiť spätný ráz.

### 3) FUNKCIA SPODNÉHO CHRÁNIČA

- a) **Pred každým použitím skontrolujte, či je spodný chránič správne uzavretý. Neprevádzkujte pílu, ak sa spodný chránič nepohybuje voľne a okamžite sa nezavrie. Spodný chránič nikdy neupínajte ani nezaistujte v otvorenej polohe.** Ak píla náhodou spadne, spodný kryt môže byť ohnutý. Zdvihnite spodný chránič pomocou záručnej rukoväte a uistite sa, že sa voľne pohybuje a nedotýka sa kotúča ani žiadnej inej časti, a to vo všetkých uhloch a hĺbkach rezu.
- b) **Skontrolujte činnosť pružiny spodného chrániča. Ak ochranný kryt a pružina nepracujú správne, je potrebné ich pred použitím opraviť.** Spodný chránič môže fungovať pomaly v dôsledku poškodených častí, gumových usadenín alebo nahromadenia trosiek.
- c) **Spodný kryt by sa mal zasúvať ručne iba pri špeciálnych rezoch, ako sú ponorné rezy a kombinované rezy. Zdvihnite spodný chránič zatahnutím rukoväte a akonáhle kotúč vnikne do materiálu, spodný kryt sa musí uvoľniť.** Pri všetkých ostatných píleniach má spodný chránič pracovať automaticky.
- d) **Pred položením píly na lavicu alebo podlahu vždy skontrolujte, že či spodný chránič zakrýva kotúč.** Nechránené, voľne sa otáčajúci kotúč spôsobí, že sa píla bude pohybovať dozadu a prereže všetko, čo jej príde do cesty. Uvedomte si čas, za ktorý sa pílový kotúč po uvoľnení spínača zastaví.

## ĎALŠIE BEZPEČNOSTNÉ UPOZORNENIA

### VŠEOBECNÉ

- Tento nástroj nesmú používať osoby mladšie ako 16

rokov

- Tento prístroj nie je vhodný na rezanie za mokra
- **Nepracujte s materiálmi obsahujúcimi azbest** (azbest sa považuje za karcinogénny)
- Prach z materiálu, akým je náter obsahujúci olovo, niektoré druhy dreva, minerály a kovy, môže byť škodlivý (kontakt alebo vdýchnutie prachu môže spôsobiť alergické reakcie a/alebo respiračné ochorenia obsluhy a okolostojacich osôb); **používajte ochrannú masku tváre a pracujte so zariadením na odsávanie prachu, ak je takéto zariadenie možné pripojiť**
- Určité druhy prachu sú klasifikované ako karcinogénne (napr. dubový a bukový prach), a to hlavne v spojení s prísadami na úpravu dreva; **používajte tvárovú ochrannú masku a pracujte so zariadením na odsávanie prachu, ak je takéto zariadenie možné pripojiť**
- Dodržujte stanovené nariadenia pre prácu v prašnom prostredí
- Nepoužívajte túto pílu spoločne s rezacím stolom
- Pred nastavením alebo výmenou príslušenstva alebo vždy vyťiahnite akumulátor

#### PRÍSLUŠENSTVO

- SKIL zabezpečí hladký chod nástroja, len ak sa používa pôvodné príslušenstvo
- Používajte iba pilové kotúče, ktoré zodpovedajú charakteristikám uvedeným v tomto návode na obsluhu a ktoré sú testované a označené podľa EN 847-1
- Používajte iba príslušenstvo, u ktorého hodnota prípustných otáčok zodpovedá minimálne najvyšším obrátkam náradia
- Používajte iba pilové kotúče s minimálnym priemerom 184 mm, maximálnym priemerom 184 mm a otvorom vretena 16 mm
- Nikdy nepoužívajte pilové kotúče vyrobené z rýchloreznej ocele (HSS)
- S týmto prístrojom nikdy nepoužívajte brúsne/rezné kotúče

#### PRED POUŽITÍM

- Zabráňte poškodeniu náradia skrutkami, klincami a inými kovovými predmetmi v obrobku; odstráňte ich predtým, než začnete pracovať
- Predtým než začnete rezať, odstráňte všetky prekážky na vrchnej a spodnej strane reznej dráhy
- **Zaistite obrobok** (obrobok upnutý pomocou upínacích zariadení alebo vo zveráku je držaný bezpečnejšie ako rukou)
- **Použite vhodné detektory na nájdenie skrytých inžinierskych sietí alebo zavolajte na pomoc miestnu energetickú spoločnosť** (kontakt s elektrickými vedeniami môže viesť k požiaru alebo úrazu elektrickým prúdom; poškodenie plynového potrubia môže viesť k výbuchu; preniknutie do vodovodného potrubia spôsobí škody na majetku alebo elektrický šok)

#### POČAS POUŽÍVANIA

- Hlasitosť zapnutého prístroja môže byť viac aké 85 dB(A); používajte ochranu sluchu
- Nikdy nepoužívajte prístroj bez originálneho ochranného systému
- Nepokúšajte sa rezať veľmi malé kusy
- Nepracujte so strojom v polohe nad hlavou
- V prípade zaseknutia, elektrickej alebo mechanickej poruchy nástroj ihneď vypnite a vyberte akumulátor

#### PO POUŽITÍ

- Skôr než nástroj položíte, presvedčte sa že je motor vypnutý a že sú všetky pohyblivé súčiastky zastavené

- Po vypnutí kotúčovej píly nikdy nezastavujte rotáciu pilového kotúča aplikovaním bočnej sily

#### AKUMULÁTORY

- **Dodaný akumulátor je čiastočne nabitý** (na zaručenie plnej kapacity akumulátora ho pred prvým zapnutím prístroja úplne nabite v nabíjačke)
- **S týmto náradím používajte len nasledujúce akumulátory a nabíjačky**
  - Akumulátor SKIL: BR1 \*31\*\*\*\*
  - Nabíjačka SKIL: CR1 \*31\*\*\*\*
- Nepoužívajte akumulátor, ak je poškodený; musí sa vymeniť.
- Akumulátor nerozoberajte.
- Náradie ani akumulátor nevystavujte dažďu.
- Povolená teplota okolia (náradie/nabíjačka/akumulátor):
  - pri nabíjaní 4...40 °C
  - pri prevádzke - 20 ... + 50 °C
  - pri skladovaní - 20 ... + 50 °C

#### VYSVETLENIE SYMBOLOV UMIESTNENÝCH NA NÁRADÍ/AKUMULÁTORE

- ③ Pred použitím si prečítajte návod na použitie
- ④ Akumulátor po vhození do ohňa vybuchnú a preto ich nevhadzujte do ohňa zo žiadneho dôvodu.
- ⑤ Náradie, nabíjačku a akumulátor skladujte na miestach, kde teplota neprekročí 50 °C
- ⑥ Nevyhadzujte elektrické náradie a akumulátory do komunálneho odpadu

#### OBSLUHA

- Nabíjanie akumulátora
  - ! **prečítajte si bezpečnostné výstrahy a pokyny dodané s nabíjačkou**
- Vybratie/inštalácia akumulátora ②
- Montáž pilového kotúča ②
- ! **vyberte akumulátor z náradia**
- vezmite si imbusový kľúč A z úložiska B
- stlačte tlačidlo aretácie vretena C a podržte ho, kým odstránite skrutku pilového kotúča D otáčaním imbusového kľúča A PROTI SMERUE HODINOVÝCH RUČÍČIEK (= v rovnakom smere ako šípka vytlačená na pilovom kotúči)
- ! **aretačné tlačidlo vretena C stláčajte len vtedy, keď je prístroj v pokoji**
- uvoľnite blokovacie tlačidlo vretena C
- odstráňte prírubu E
- ! **uistite sa, že upínacie plochy H prírub sú dokonale čisté a smerujú ku kotúču**
  - otvorte spodný chránič F pomocou páky G a podržte ho, kým namontujete pilový kotúč s pilovými zubami a šípku vytlačenou na pilovom kotúči, ktorá ukazuje v rovnakom smere ako šípka na spodnom chrániči
  - uvoľnite spodný chránič F
  - montážna príruha E
  - stlačte tlačidlo aretácie vretena C a držte ho, kým prstom uťahujete skrutku pilového kotúča pomocou imbusového kľúča o 1/8 otáčky (zabezpečuje sklúpnutie pilového kotúča, keď narazí na nadmerný odpor, čím sa zníži preťaženie motora a spätný ráz píly)
- uvoľnite blokovacie tlačidlo vretena C
- Nastavenie hĺbky rezu (0 - 66 mm) ⑦
  - pre optimálnu kvalitu rezu nesmie byť pilový kotúč vysunutý viac ako 3 mm pod opracovávaným predmetom

- uvoľnite gombík J
- zdvihajte/spúšťajte pátku K, kým sa na stupnici pomocou ukazovateľa L nenastaví požadovaná hĺbka rezu
- utiahnite gombík J
- Kontrolka nabitia akumulátora ⑧
  - stlačením tlačidla indikátora úrovne nabitia akumulátora AC zobrazíte aktuálnu úroveň nabitia akumulátora ⑧a
  - ! **keď po stlačení tlačidla AC ⑧b začne blikať najnižšia úroveň indikátora akumulátora, akumulátor je vybitý**
  - ! **keď po stlačení tlačidla AC ⑧c začnú blikať 2 úrovne kontrolky akumulátora, akumulátor nie je v povolenom rozsahu prevádzkovej teploty**
- LED svetlo ⑫ V
  - LED svetlo sa automaticky rozsvieti pri aktivácii vypínača
  - ! **keď LED svetlo začne blikať, aktivuje sa ochrana akumulátora (pozri nižšie)**
- Ochrana akumulátora
  - Náradie sa náhle vypína alebo sa nedá zapnúť v prípade, že je
    - **záťaž príliš vysoká** --> odstráňte záťaž a reštartujte
    - **teplota akumulátora nie je v povolenom rozsahu prevádzkovej teploty -20 až +50 °C** --> 2 úrovne indikátora úrovne akumulátora začnú blikať po stlačení tlačidla AC ⑧c; počkajte, kým sa akumulátor vráti do povoleného rozsahu prevádzkovej teploty
  - **akumulátor je takmer vybitý (na ochranu pred hlbokým vybitím)** --> nízka úroveň nabitia akumulátora alebo blikajúca nízka úroveň nabitia akumulátora ⑧b sa zobrazí na kontrolke úrovne akumulátora pri stlačení tlačidla AC; nabite akumulátor
  - ! **potom ako sa náradie automaticky vypne, nestláčajte hlavný vypínač, môže sa poškodiť akumulátor**
- Nastavenie uhla rezu (0 - 56 °) ⑩
  - uvoľnite páku M
  - nakláňajte prístroj, kým sa požadovaný uhol rezu nenastaví na stupnici pomocou kontrolky N
  - 45° úkosový doraz P ponúka rýchle nastavenie 45° uhla sklonu
  - ak chcete nastaviť uhol skosenia väčší ako 45°, otočte 45° úkosový doraz P a vyberte ho z indikátora N
  - utiahnite páčku M.
  - ! **pri šikmom reze hĺbka rezu nezodpovedá hodnote na stupnici hĺbky rezu**
- Indikátor línie rezu Q ⑩
  - pre vedenie nástroja pozdĺž požadovanej čiary rezu vyznačenej na obrobku
  - pre priamy rez pod uhlom 0° alebo šikmý rez pod uhlom 45° používajte príslušnú rysku
  - ! **široká časť pätky má spočívať na podoprenej časti obrobku**
  - ! **šírka rezu je určená šírkou zubov kotúča a nie šírkou telesa kotúča**
  - ! **vždy najskôr vykonajte skúšobné rezy, aby ste si overili skutočnú líniu rezu**
- Odsávanie prachu ⑪
  - Pripevnite adaptér vysávača R k pile pomocou skrutky s krížovou hlavou
  - Pre používanie vysávača
    - pripojte hadicu vysávača k adaptéru vysávača R
  - ! **nikdy nedovoľte, aby hadica vysávača zasahovala**

## do spodného chrániča alebo rezania

Vrecko na prach

- namontujte prachové vrecko AD

- Používanie náradia
  - vložte akumulátor
  - vždy jednou rukou pevne držte rukoväť S a druhou rukou pevne držte rukoväť T
  - položte stroj prednou stranou pätky na obrobok
  - ! **uistite sa, že zuby píly nie sú zapadnuté do obrobku**
- ak chcete náradie zapnúť, stlačte najskôr bezpečnostný vypínač W a potom potiahnite prepínač Y
  - ! **nástroj má bežať na plné otáčky predtým, ako kotúč vstúpi do obrobku**
  - spodný chránič F sa otvorí automaticky, keď pílový kotúč vstúpi do obrobku (spodný kryt otvoríte manuálne pomocou páky G len pre špeciálne rezy, ako sú ponorné rezy)
  - ! **netlačte na náradie silou (vyvíjajte mierny a nepretržitý tlak, aby ste predišli prehriatiu hrotov kotúča)**
  - po dokončení rezu vypnite prístroj uvoľnením spúšte Y
  - ! **pred zdvihnutím nástroja z obrobku sa uistite, že sa kotúč úplne zastavil**

## APLIKAČNÉ RADY

- Vždy líčujte dobrou stranou obrobku nadol, aby ste zaistili minimálne triesky
- Používajte iba ostré pílové kotúče správneho typu ⑬
  - kvalita rezu sa zvyšuje počtom zubov
  - kotúče s karbidovým hrotom zostávajú ostré až 30-krát dlhšie ako bežné kotúče
- Priechne rezy/odrezky ⑭
  - Priechne alebo pozdĺžne rezy sa ľahko vykonávajú s paralelným vedením Z.
  - zarovnajete vodiacu líniu s indikátorom 0° na pätke
  - vložte paralelné vodidlo Z cez otvory na oboch stranách pätky na požadovanú šírku a zaistíte ho gombíkom AA
  - ! **zabezpečte, aby vodičko pre pozdĺžne rezanie nebránilo voľnému pohybu spodného krytu a pílového kotúča**
- Ponorný rez ⑮
  - nastavte požadovanú hĺbku rezu
  - nakloňte prístroj dopredu s indikátorom čiary rezu Q zarovnaným s požadovanou čiarou rezu vyznačenou na obrobku
  - otvorte spodný chránič F pomocou páky G
  - krátko predtým, ako kotúč vnikne do obrobku, zapnite stroj a postupne spúšťajte zadnú stranu stroja používajúc prednú stranu pätky ako otočný bod
  - postupne spúšťajte stroj smerom dole a tiež smerom dopredu
  - akonáhle sa kotúč dostane do materiálu, uvoľnite páčku G
  - ! **nikdy neťahajte nástroj dozadu**
- Rezanie veľkých panelov ⑯
  - podprite panel v blízkosti rezu, či už na podlahe, stole alebo pracovnom stole
  - ! **nastavte hĺbku rezu tak, aby ste rezali cez panel a nie cez podperu**
  - v prípade, že vodidlo pre pozdĺžne rezanie neumožňuje požadovanú šírku rezu, upnite alebo priklincujte rovný



kus dreva k obrobku ako vedenie a použite ľavú stranu pätky proti tomuto vedeniu ⑰

- Rezanie s vodiacou lištou ⑱ \*ŠTANDARDNE SA NEDODÁVA

Použitie vodiacej lišty ponúka presné, rovné a presné rezy s uhlom 0° alebo 45°.

Pred vykonaním prvého rezu pomocou vodiacej lišty sa musí gromový okraj prispôbiť použitej kotúčovej pile.

- pri priamom 0° reze zarovnajete 0° skosenú stranu lišty AE (alebo 45° skosenú stranu pri 45° skosenom reze) s požadovanou čiarou rezu vyznačenou na obrobku.
- pevne zaistíte vodiacu lištu AE na obrobku pomocou svoriek vodiacej lišty AF ⑲\*ŠTANDARDNE SA NEDODÁVA

- nasuňte pílu na lištu AE a otočte gombíky na nastavenie vodiacej drážky U v smere hodinových ručičiek, aby ste minimalizovali medzeru medzi drážkou v pätku a vyvýšeným rebrom na lište AE, a uistite sa, že sa píla môže voľne posúvať po lište bez toho, aby sa kývala do strán.

- pri nastavovaní hĺbky rezu nezabudnite zohľadniť hrúbku vodiacej lišty AE

- rovnomerne vedte pílu s pomalým posuvom cez koniec lišty

- Viac informácií nájdete na [www.skil.com](http://www.skil.com)

## ÚDRŽBA/SERVIS

- Toto náradie nie je vhodné na profesionálne použitie
- Vždy udržiajte nástroj čistý!  
**! pred čistením vyberte akumulátor z nástroja**
- Vždy udržiajte oblasť okolo spodného chrániča F ② v čistote (prach a nečistoty odstráňte vyfúknutím stlačeným vzduchom alebo kefou)
- Hneď po použití očistite pilový kotúč (najmä od živice a lepidla)
- Ak by náradie napriek starostlivej výrobe a kontrole predsa len prestalo niekedy fungovať, nechajte opravu vykonať v autorizovanej servisnej opravovni elektrického náradia SKIL
- pošlite náradie **bez rozmontovania** spolu s dôkazom o kúpe; vášmu dilerovi alebo do najbližšieho servisného strediska SKIL (zoznam adries servisných stredísk a servisný diagram náradia sú uvedené na [www.skil.com](http://www.skil.com))
- Uvedomte si, že poškodenie spôsobené preťažením alebo nesprávnym zaobchádzaním bude zo záruky vylúčené (záručné podmienky spoločnosti SKIL nájdete na stránke [www.skil.com](http://www.skil.com) alebo si ich vyžiadajte u vášho predajcu)

## PROSTREDIE

Len pre krajiny EÚ

- Elektrický prístroj, príslušenstvo a obaly nelikvidujte spolu s domovým odpadom
  - v súlade s európskou smernicou 2012/19/ES o odpade z elektrických a elektronických zariadení a jej implementácie v súlade s vnútroštátnymi právnymi predpismi musí byť elektrické náradie, ktoré dosiahlo koniec svojej životnosti, zbierané oddelene od ostatného odpadu a musí sa vrátiť do ekologického recyklačného zariadenia
  - pripomenie vám to symbol ⑥, keď nastane čas likvidácie
- ! pred likvidáciou prelepte vývody akumulátora**

**hrubou páskou, aby ste zabránili skratu**

## HLUK / VIBRÁCIE

- Hladina akustického tlaku tohto prístroja meraná v súlade s normou EN 62841 je 91 dB(A) a hladina akustického výkonu 102 dB(A) (neistota K = 3 dB) a vibrácie \* (rezosový vektorový súčet; neistota K = 1,5 m/s<sup>2</sup>) \*
  - Úroveň vibrácií bola nameraná v súlade so štandardizovanou skúškou uvedenou v EN 62841; môže sa použiť na porovnanie jedného náradia s iným a ako predbežné posúdenie vystavenia vibráciám pri použití náradia na uvedené aplikácie
    - používanie náradia na rôzne aplikácie alebo s rôznym alebo nedostatočne udržiavaným príslušenstvom môže výrazne zvýšiť úroveň expozície
    - časy, počas ktorých je náradie vypnuté, alebo počas ktorých náradie beží, ale v skutočnosti nevykonáva prácu, môžu značne znížiť úroveň expozície
- ! chráňte sa pred účinkami vibrácií tak, že budete náradie a jeho príslušenstvo správne udržiavať, že nebudete pracovať so studenými rukami a že si vaše pracovné postupy správne zorganizujete**

HR

## Akumulátorská kružna pila bez četkica

3571

### UVOD

- Ovak je alat namijenjen za uzdužno i poprečno rezanje drva ravnim rezovima te kutnim rezovima do 56°
- Ovak alat nije predviđen za profesionalnu upotrebu.
- Pažljivo pročitaite i sačuvajte ove upute za rukovanje ③

### TEHNIČKI PODACI ①

### DIJELOVI ALATA ②

- A** Šesterokutni ključ
- B** Prostor za skladištenje šesterokutnog ključa
- C** Gumb za blokadu vretena
- D** Maticni vijak za list pile
- E** Prirubnica
- F** Donji štitnik
- G** Poluga za otvaranje donjeg štitnika
- H** Stezna površina
- J** Gumb za podešavanje stope za dubinu piljenja
- K** Nožna pločica
- L** Indikator dubine rezanja
- M** Poluga za podešavanje kuta rezanja
- N** Indikator kuta rezanja
- P** Graničnik nagiba od 45°
- Q** Indikator linije rezanja
- R** Adapter za usisavač
- S** Stražnji rukohvat
- T** Prednji rukohvat
- U** Gumbi za podešavanje utora vodilice
- V** LED svjetlo
- W** Sigurnosni prekiđač
- X** Utor vodilice
- Y** Okidačka sklopka

- Z Paralelna vodilica
- AA Gumb za podešavanje paralelne vodilice
- AB AKuka
- AC Pokazivač stanja napunjenosti baterije
- AD Vreća za prašinu\*
- AE Vodilica\*
- AF Stezač vodilice\*

\* NIJE U STANDARDNOJ OPREMI

## SIGURNOST

### OPĆA SIGURNOSNA UPOZORENJA ZA ELEKTRIČNE ALATE

**⚠ UPOZORENJE** Pročitajte sva sigurnosna upozorenja, upute, ilustracije i specifikacije isporučene s ovim električnim alatom. Zanimarivanje svih uputa navedenih u nastavku može rezultirati strujnim udarom, požarom i/ili teškim ozljedama.

**Sačuvajte sva upozorenja i sve upute za buduće potrebe.**

Pojam "električni alat" u upozorenjima odnosi se na električni alat s napajanjem iz električne mreže (s kabelom) ili na električni alat s napajanjem iz baterije (bez kabela).

#### 1) SIGURNOST RADNOG PODRUČJA

- a) **Radno područje održavajte čistim i dobro osvijetljenim.** Pretrpana ili mračna područja izazivaju nesreće.
- b) **Električnim alatom nemojte rukovati u eksplozivnim atmosferama, primjerice u prisutnosti zapaljivih tekućina, plinova ili prašine.** Električni alat stvara iskre koje mogu zapaliti prašinu ili isparenja.
- c) **Udaljite djecu i promatrače za vrijeme rada s električnim alatom.** Ometanja mogu rezultirati gubitkom kontrole nad alatom.

#### 2) ELEKTRIČNA SIGURNOST

- a) **Utikači električnog alata moraju odgovarati utičnici.** Nemojte nikada raditi preinake utikača. Nemojte upotrebljavati adaptere utikača s uzemljenim (spojenim na masu) električnim alatom. Nepreinačeni utikači i odgovarajuće utičnice smanjit će rizik od električnog udara.
- b) **Izbjegavajte kontakt tijela s uzemljenim površinama, kao što su cijevi, radijatori, peći i rashladni uređaji.** Postoji povećan rizik od strujnog udara ako je vaše tijelo uzemljeno.
- c) **Električni alat ne izlažite kiši ili mokrim uvjetima.** Prodiranje vode u električni alat povećat će rizik od strujnog udara.
- d) **Kabel nemojte upotrebljavati nepropisno. Kabel nemojte upotrebljavati za nošenje, povlačenje ili odspajanje električnog alata od električnog napajanja.** Kabel držite dalje od izvora topline, ulja, oštih rubova ili pokretnih dijelova. Oštećeni ili isprepleteni kabeli povećavaju rizik od strujnog udara.
- e) **Kada električnim alatom radite na otvorenom, upotrebljavajte produžni kabel prikladan za upotrebu na otvorenom.** Upotrebom kabela prikladnog za upotrebu na otvorenom smanjuje se rizik od strujnog udara.

- f) **Ako je rad s električnim alatom u vlažnom području neizbježan, upotrebljavajte napajanje sa sklopkom (RCza zaštitu od dozemnog spoja).** Upotrebom zaštitnog uređaja diferencijalne struje smanjuje se rizik od strujnog udara.
- #### 3) OSOBNA SIGURNOST
- a) **Budite oprezni, gledajte što radite i vodite se načelima zdravog razuma kada radite s električnim alatom. Nemojte raditi s električnim alatom ako ste umorni ili pod utjecajem droge, alkohola ili lijekova.** Trenutak nepažnje tijekom rada s električnim alatima može rezultirati teškim osobnim ozljedama.
  - b) **Upotrebljavajte osobnu zaštitnu opremu. Obvezno nosite zaštitu za oči.** Zaštitna oprema poput maske za zaštitu od prašine, nekizljučuje sigurnosne obučne kacige ili zaštite za sluh upotrijebljena za prikladne uvjete smanjit će tjelesne ozljede.
  - c) **Spriječite nenamjerno pokretanje. Prije spajanja na izvor napajanja i/ili baterijski modul, uzimanja ili nošenja alata uvjerite se da se prekidač nalazi u isključenom položaju.** Nošenje električnih alata s prstom na prekidaču ili napajanje električnih alata koji imaju uključen prekidač izaziva nesreće.
  - d) **Prije uključivanja električnog alata, uklonite sve ključeve za podešavanje ili stezne ključeve.** Ključ ili ključ za podešavanje ostavljen pričvršćen na rotacijski dio električnog alata može rezultirati tjelesnim ozljedama.
  - e) **Nemojte se naginjati preko alata. Sigurno vrijeme održavajte propisno držanje i ravnotežu.** To će omogućiti bolju kontrolu nad električnim alatom u neočekivanim situacijama.
  - f) **Obucite se prikladno. Nemojte nositi široku odjeću i nakit.** Kosu i odjeću držite dalje od pokretnih dijelova. Pokretni dijelovi mogu zahvatiti široku odjeću, nakit ili dugu kosu.
  - g) **Ako su uređaji opremljeni priključkom za odvod i sakupljanje prašine, pobrinite se da se propisno spoje i upotrebljavaju.** Upotrebom sustava za sakupljanje prašine mogu se umanjiti opasnosti koje se odnose na prašinu.
  - h) **Nemojte dopustiti da vas poznavanje alata stečeno čestom upotrebom učini samodopadnim te da ignorirate sigurnosna načela za alat.** Nepažljiv rad može rezultirati teškim ozljedama u djeliću sekunde.
- #### 4) UPOTREBA I NJEGA ELEKTRIČNOG ALATA
- a) **Nemojte preopterećivati električni alat. Upotrebljavajte propisani električni alat za primjenu.** Propisan električni alat bolje će i sigurnije obaviti zadatak brzinom za koju je konstruiran.
  - b) **Nemojte upotrebljavati električni alat ako ga prekidač ne uključuje i isključuje.** Svaki električni alat koji se ne može kontrolirati prekidačem opasan je i potrebno ga je popraviti.
  - c) **Prije podešavanja, promjene nastavaka ili spremanja alata, odvojite utikač od električne utičnice i/ili izvadite baterijski modul iz alata, ako se može odvojiti.** Takve preventivne sigurnosne mjere smanjuju rizik od iznenadnog pokretanja električnog alata.
  - d) **Nekorištene električne alate skladištite izvan dohvata djece i nemojte dopustiti osobama koje ne poznaju električni alat ili ove upute da rukuju električnim alatom.** Električni alati opasni su u rukama

- neobučenih korisnika.
- e) **Održavajte električne alate i dodatnu opremu.** Provjerite jesu li pokretni dijelovi centrirani ili spojeni, ima li polomljenih dijelova i postoji li stanje koje može utjecati na rad električnog alata. Ako je oštećen, električni alat dajte na popravak prije uporabe. Loše održavani električni alati uzrok su mnogih nesreća.
- f) **Rezne alate održavajte oštroma i čistima.** Propisno održavani rezni alati s oštrim reznim bridovima manje su sklони zaglavljivanju i lakši su za upravljanje.
- g) **Električni alat, dodatnu opremu i alatne nastavke i sl., upotrebljavajte u skladu s ovim uputama, uzimajući u obzir radne uvjete i zadatak koji je potrebno obaviti.** Upotreba električnog alata za radove drukčija od namjenske može rezultirati opasnim situacijama.
- h) **Rukohvate i površinu rukohvata održavajte suhim, čistim i očišćenim od ulja i masti.** Skliski rukohvati i skliske površine rukohvata onemogućuju sigurno rukovanje i upravljanje alatom u neočekivanim situacijama.
- 5) **UPOTREBA I NJEGA BATERIJSKOG ALATA**
- a) **Punjenje obavljajte samo s punjačem kojeg je naveo proizvođač.** Punjač koji je prikladan za jedan tip baterijskog modula može izazvati rizik od požara ako ga se upotrebljava s drugim baterijskim modulom.
- b) **Električni alat upotrebljavajte samo s izričito propisanim baterijskim modulima.** Upotreba drugih baterijskih modula može izazvati rizik od ozljeda i požara.
- c) **Kada se baterijski modul ne upotrebljava, držite ga podalje od drugih metalnih predmeta poput spajalica za papir, kovanica, ključeva, čavala, vijaka ili drugih malih metalnih predmeta koji mogu međusobno spojiti kontakte.** Kratko spajanje baterijskih kontakata može prouzročiti opekline ili požar.
- d) **U slučaju neprijemne uporabe, baterija može izbaciti tekućinu; izbjegavajte kontakt.** Ako slučajno dođe do doticaja, mjesta doticaja isperite vodom. Ako tekućina dođe u doticaj s očima, dodatno potražite pomoć liječnika. Tekućina koju izbaci baterija može prouzročiti nadražaj kože ili opekline.
- e) **Ne upotrebljavajte baterijski modul ili alat koji je oštećen ili preinačen.** Oštećene ili preinačene baterije mogu pokazati nepredvidivo ponašanje koje može rezultirati požarom, eksplozijom ili opasnošću od ozljeda.
- f) **Baterijski modul ili alat ne izlažite vatri ili visokim temperaturama.** Izlaganje vatri ili temperaturi višoj od 130 °C može prouzročiti eksploziju.
- g) **Pridržavajte se svih uputa za punjenje, a baterijski modul ili alat nemojte puniti izvan raspona temperature navedenog u uputama.** Nepropisno punjenje ili punjenje pri temperaturama izvan okvira određenog raspona može oštetiti bateriju i povećati opasnost od požara.
- 6) **SERVISIRANJE**
- a) **Servisiranje električnog alata povjerite kvalificiranom osoblju za popravak koje upotrebljava samo identične zamjenske dijelove.** Time će se osigurati održavanje sigurnosti električnog alata.
- b) **Ne servisirajte oštećene baterijske module.** Servisiranje baterijskog modula smiju obavljati samo proizvođač ili ovlašteni serviseri.

## SIGURNOSNA UPOZORENJA ZA AKUMULATORSKE KRUŽNE PILE

### 1) POSTUPCI REZANJA

- a) **⚠ OPASNOST: Držite ruke podalje od područja rezanja i lista pile. Držite drugu ruku na pomoćnom rukohvatu ili kućištu motora.** Ako pilu držite objema rukama, list pile vas ne može porezati.
- b) **Nemojte posezati ispod obratka.** Štitnik vas ne može zaštititi od oštrice ispod obratka.
- c) **Podesite dubinu reza u skladu s debljinom obratka.** Ispod obratka treba biti vidljivo manje od punih zubaca lista pile.
- d) **Ne držite obradak koji se reže u rukama ili preko noge. Osigurajte obradak na stabilnoj platformi.** Pravilno podupiranje obratka važno je kako bi se na najmanju mjeru svelo izlaganje tijela, savijanje lista pile ili gubitak kontrole.
- e) **Kada izvodite radove kod kojih bi radni alat mogao zahvatiti skrivene električne vodove ili vlastiti priključni kabel, električni alat držite samo za izolirane ručke** (kontakt sa električnim vodom pod naponom dovodi pod napon i metalne dijelove električnog alata i dovodi do električnog udara)
- f) **Prilikom paranja koristite paralelnu vodilicu ili ravnu rubnu vodilicu.** Time se poboljšava preciznost reza i smanjuje rizik od zaglavljivanja lista pile.
- g) **Upotrebljavajte oštrice prikladne veličine i oblika** (dijamantne ili zaobljenoza rupe osovine. Listovi pile koji ne odgovaraju montažnom sklopu pile izmaknut će se iz sredine i dovesti do gubitka kontrole.
- h) **Nemojte nikada upotrebljavati oštećene ili neispravne podloške ili matične vijke za list pile.** Podloške i matični vijak za list pile posebno su konstruirani za vašu pilu kako bi se osigurali optimalan učinak i sigurnost rada.

### 2) UZROCI POVRATNOG UDARA I POVEZANA UPOZORENJA

- Povratni udar je iznenadna reakcija na priklješteni, zaglavljivi ili pogrešno poravnani list pile, što uzrokuje da se pila nekontrolirano podiže s obratka i kreće prema rukovatelju
  - Ako se list pile priklješti ili zaglavi zatvaranjem zasjeke, list pile će se zaglaviti, a reakcija motora brzo će gurnuti jedinicu natrag prema rukovatelju
  - Ako se list pile iskrivi ili je pogrešno poravnat u rezu, zupci na stražnjem rubu lista pile mogu se zabiti u gornju površinu drva i uzrokovati izdizanje lista pile iz zasjeke i iskakanje natrag prema rukovatelju
  - Povratni udarac rezultat je nepropisne uporabe električnog alata i/ili neispravnih radnih postupaka ili uvjeta i može se izbjeći poduzimanjem propisanih mjera opreza poput ovih u nastavku:
- a) **Čvrsto držite pilu s obje ruke i postavite ruke tako da se mogu oduprijeti silama povratnog udara. Tijelo pozicionirajte s obje strane lista pile, ali ne u ravnini s listom pile.** Povratni udar može prouzročiti iskakanje pile unatrag, ali rukovatelj može kontrolirati sile povratnog udara ako se poduzmu odgovarajuće mjere opreza.
- b) **Ako se list pile zaglavi ili ako iz bilo kojeg razloga prekinete s rezanjem, otpustite okidač i držite pilu**

**nepomično u materijalu dok se list pile potpuno ne zaustavi. Nemojte pokušavati ukloniti pilu iz obratka ili je povući unatrag dok je list pile u pokretu jer može doći do povratnog udara.** Istražite uzrok i poduzmite korektivne radnje kako biste uklonili uzrok zaglavljivanja lista pile. Izbjegavajte rezanje čavala ili vijaka.

- c) **Prilikom ponovnog pokretanja pile u obratku, centrirajte list pile u zasjek tako da zupci pile ne zahvate materijal.** Ako se list pile zaglavi, može iskočiti iz obratka ili se odbiti pri ponovnom pokretanju pile.
- d) **Poduprite velike ploče kako biste smanjili rizik od priklještanja oštrice i povratnog udarca.** Velike ploče mogu se savijati pod vlastitom težinom. Poduprite ploču s obje strane, blizu linije rezanja i blizu ruba ploče.
- e) **Nemojte upotrebljavati tupe ili oštećene listove pile.** Nenaoštreni ili nepravilno postavljeni listovi pile stvaraju uske zasjeka koji dovode do prekomjernog trenja, zaglavljivanja lista pile i povratnog udara.
- f) **Ručice za zaključavanje i podešavanje dubine i nagiba lista pile moraju biti pritegnute i učvršćene prije rezanja.** Pomicanje ručice za podešavanje lista pile tijekom rezanja može prouzročiti zaglavljivanje lista pile i povratni udar.
- g) **Budite posebno oprezni kada pilite u postojećim zidovima ili drugim područjima koja se ne vide.** List pile koji strši može zahvatiti predmete koji mogu uzrokovati povratni udar.

**3) FUNKCIJA DONJEG ŠTITNIKA**

a) **Prije svake uporabe provjerite zatvara li se donji štitnik pravilno. Nemojte rukovati pilom ako se donji štitnik ne kreće slobodno ili ako se ne zatvara trenutno.** Nemojte stezati ili vezati donji štitnik u otvoreni položaj. Ako pila slučajno padne, donji štitnik može se saviti. Podignite donji štitnik ručkom za uvlačenje i provjerite kreće li se slobodno i dodiruje li list pile ili bilo koji drugi dio, u svim kutovima i dubinama rezanja.

- b) **Provjerite rad opruge donjeg štitnika. Ako štitnik i opruga ne rade ispravno, moraju se servisirati prije uporabe.** Donji štitnik može raditi sporo zbog oštećenih dijelova, gumenih naslaga ili nakupljanja krhotina.
- c) **Donji štitnik može se uvući ručno samo za posebne rezove kao što su uranjajući rezovi i složeni rezovi. Podignite donji štitnik ručkom za uvlačenje, a čim list pile uđe u materijal donji štitnik mora se otpustiti.** Za sve druge vrste piljenja, donji štitnik treba raditi automatski.
- d) **Uvijek provjerite pokriva li donji štitnik list pile postavljanja pile na radni stol ili pod.** Nezaštićena pokertna oštrica će uzrokovati pomicanje pile unatrag, režući sve u putanji. Uzmite u obzir vrijeme potrebno da se list pile zaustavi nakon otpuštanja prekidača.

## DODATNA SIGURNOSNA UPOZORENJA

### OPĆE

- Ovaj alat ne smiju upotrebljavati osobe mlađe od 16 godina.
- Ovaj alat nije prikladan za mokro rezanje.
- **Ne obrađujte materijal koji sadrži azbest** (azbest se smatra kancerogenim)
- Prašina od materijala kao što su boje koje sadrže olovo, neke vrste drveća, minerali i metal mogu biti opasne

(dodir s prašinom ili njeno udisanje mogu prouzročiti alergične reakcije i/ili respiratorna oboljenja rukovatelja ili promatrača); **nosite masku za zaštitu od prašine i radite s uređajem za ekstrakciju prašine ukoliko ga možete priključiti**

- Određene vrste prašine klasificiraju se kao karcinogene (kao što su prašina hrastovine i bukovine), osobito u zajedno s aditivima za kondicioniranje drveta; **nosite masku za zaštitu od prašine i radite s uređajem za ekstrakciju prašine ukoliko ga možete priključiti**
- Pridržavajte se nacionalnih zahtjeva za prašinu za materijale s kojima namjeravate raditi.
- Ovu pilu nemojte upotrebljavati u kombinaciji sa stolom za pilu.
- Prije podešavanja ili zamjene pribora uklonite bateriju iz alata.

### PRIBOR

- SKIL može jamčiti besprijekoran rad alata samo ako se upotrebljava originalni pribor.
- Upotrebljavajte samo listove pile koji su u skladu s karakteristikama navedenim u ovim uputama za rukovanje i koji su ispitani i označeni u skladu s normom EN 847-1
- Upotrebljavajte samo pribor s dopuštenom brzinom koja je u skladu s najmanje maksimalnom brzinom alata bez opterećenja.
- Upotrebljavajte samo listove pile minimalnog promjera 184 mm, maksimalnog promjera 184 mm i rupe za vreteno od 16 mm
- Ne upotrebljavajte listove pile izrađene od čelika za visoke brzine (HSS)
- S ovim alatom nemojte upotrebljavati rezne/brusne ploče

### PRIJE UPOTREBE

- Izbjegavajte oštećenja koja mogu uzrokovati vijci, čavli i drugi elementi u vašem obratku; uklonite ih prije početka rada.
- Prije početka rezanja uklonite sve zapreke na gornjoj strani i ispod putanje rezanja.
- **Osigurajte obradak** (obradak stegnut u stezaljkama ili u škripcu drži se sigurnije nego rukom).
- **Upotrijebite odgovarajuće detektore za pronalazak skrivenih vodova ili nazovite lokalno poduzeće za pomoć** (kontakt s električnim vodovima može dovesti do požara ili strujnog udara; oštećenje plinskih cijevi može rezultirati eksplozijom; probijanje vodovodnih cijevi prouzročit će materijalnu štetu ili strujni udar).

### TIJEKOM UPOTREBE

- Razina buke pri radu može prijeći 85 dB(A); nosite zaštitu za sluh.
- Alat nemojte nikada upotrebljavati bez originalnog sustava štitnika.
- Nemojte pokušavati rezati vrlo male obratke.
- Alatom nemojte raditi iznad glave.
- U slučaju zaglavljivanja ili električnog ili mehaničkog kvara, odmah isključite alat i izvadite bateriju.

### NAKON UPOTREBE

- Kada odložite alat, isključite motor i provjerite jesu li se svi pokretni dijelovi potpuno zaustavili.
- Nakon isključivanja kružne pile nemojte nikada zaustavljati rotaciju lista pile primjenom bočne sile.

### BATERIJE

- **Isporučena je baterija djelomično napunjena** (da biste zajamčili potpuni kapacitet baterije, bateriju u potpunosti napunite punjačem prije prve uporabe električnog alata)

- **S ovim alatom upotrebljavajte samo sljedeće baterije i punjače:**
  - Baterija marke SKIL: BR1\*31\*\*\*\*
  - Punjač marke SKIL: CR1\*31\*\*\*\*\*
- Nemojte upotrebljavati oštećenu bateriju; oštećenu bateriju potrebno je zamijeniti.
- Nemojte rastavljati bateriju.
- Alat/bateriju nemojte izlagati kiši.
- Dopuštena temperatura okruženja (alat/punjač/baterija):
  - pri punjenju 4...40 °C
  - tijekom rada -20...+50 °C
  - kod skladištenja -20...+50 °C

#### OBJAŠNENJE SIMBOLA NA ALATU/BATERIJI

- ③ Prije upotrebe pročitajte upute za upotrebu.
- ④ Baterije mogu eksplodirati ako se odlože u vatru, stoga ih nemojte spaljivati.
- ⑤ Alat/punjač/bateriju skladištite na mjestima gdje temperatura ne prelazi 50 °C.
- ⑥ Električne alate i baterije nemojte zbrinjavati s kućnim otpadom.

## UPOTREBA

- Punjenje baterije
  - ! **Pročitajte sigurnosna upozorenja i upute isporučene s punjačem.**
- Uklanjanje/ulaganje baterije ②
- Postavljanje lista pile ②
  - ! **Izvadite bateriju iz alata.**
  - Iz prostora za skladištenje B izvadite šesterokutni ključ A.
  - pritisnite gumb za blokadu vretena C i držite ga dok uklanjate vijak lista pile D okretanjem šesterokutnog ključa A ULIJEVO (= u istom smjeru koji pokazuje strelica otisnuta na listu pile)
  - ! **Gumb za blokadu vretena C pritisnite samo kada je alat potpuno zaustavljen**
  - otpustite gumb za blokadu vretena C
  - uklonite pribornicu E
  - ! **Provjerite jesu li stezne površine H pribornica savršeno čiste i okrenute prema listu pile**
  - otvorite donji štitnik F polugom G i držite ga dok postavljate list pile sa zupcima pile i strelicom utisnutom na listu pile usmjerenim u istom smjeru kao strelica na donjem štitniku
  - otpustite donji štitnik F
  - postavite pribornicu E
  - pritisnite gumb za blokadu vretena C i držite ga dok pritežete matični vijak lista pile šesterokutnim ključem za 1/8 okreta (ovim se osigurava da će list pile skliznuti ako naiđe na preveliki otpor i smanjiti preopterećenje motora i povratni udar pile)
  - otpustite gumb za blokadu vretena C
- Podešavanje dubine rezanja (0 - 66 mm) ⑦
  - Za optimalnu kvalitetu reza list pile ne smije prelaziti više od 3 mm ispod obratka.
  - Otpustite okretni gumb J.
  - podignite/spustite nožnu pločicu K tako da podesite željenu dubinu rezanja na ljestvici pomoću indikatora L
  - Pritegnite okretni gumb J.
- Indikator razine napunjenosti baterije ⑧
  - za prikaz trenutačne razine napunjenosti baterije ⑧a pritisnite gumb indikatora razine napunjenosti baterije AC

- ! **Kada nakon pritiska na gumb AC ⑧b najniža razina indikatora razine napunjenosti baterije počne treperiti, baterija je prazna**
- ! **Kada nakon pritiska na gumb AC ⑧c 2 razine indikatora razine napunjenosti baterije počnu treperiti, baterija nije u okviru dopuštenog raspona radne temperature**

- LED svjetlo ⑫ V
  - LED svjetlo automatski svijetli kada se aktivira prekidač za uključivanje/isključivanje
  - ! **Kada LED svjetlo počne treperiti, aktivira se zaštita baterije (vidjeti u nastavku).**
- Zaštita baterije
  - Alat se iznenada isključuje ili se neće uključiti kada
    - **je opterećenje previsoko** --> uklonite opterećenje i ponovno pokrenite
    - **temperatura baterije nije unutar dopuštenog raspona radne temperature od -20 do +50 °C** --> 2 pokazivača razine napunjenosti baterije počnu treptati nakon pritiska gumba AC ⑧c; pričekajte dok se baterija vrati unutar dopuštenog raspona radne temperature
    - **baterija je gotovo prazna (kako bi se zaštitila od potpunog pražnjenja)**--> niska razina napunjenosti baterije ili trepće niska razina napunjenosti baterije ⑧b prikazuje indikator razine baterije kada pritisnete tipku AC; napunite bateriju
    - ! **Nemojte nastaviti pritisnati prekidač za uključivanje/isključivanje nakon automatskog isključivanja alata; može se oštetiti baterija.**
- Podešavanje kuta rezanja (0 - 56°) ⑨
  - otpustite polugu M
  - nagnite alat tako da podesite željeni kut rezanja na ljestvici pomoću indikatora N
  - graničnik nagiba od 45° P nudi brzo podešavanje kuta nagiba od 45°
  - za postavljanje kuta nagiba većeg od 45°, okrenite graničnik za kut nagiba od 45° P kako biste ga izvadili iz indikatora N
  - zategnite polugu M
  - ! **Kod rezanja kosina, dubina rezanja ne odgovara vrijednosti na ljestvici dubine rezanja.**
- Indikator linije rezanja Q ⑩
  - Za vođenje alata duž željene linije rezanja označene na obratku.
  - Za ravan rez od 0° ili rez s kosinom od 45° upotrebljavajte odgovarajuću liniju indikatora.
  - ! **Široki dio nožne pločice treba biti na poduprijetom dijelu obratka.**
  - ! **Širina rezanja određuje se širinom zubaca lista pile, a ne širinom tijela lista pile.**
  - ! **Uvijek najprije napravite probne rezove da provjerite stvarnu liniju rezanja.**
- Usisavanje prašine ⑪
  - Pričvrstite adapter usisavača za prašinu R na pilu s vijkom s križnom glavom
  - Za upotrebu usisavača
    - na adapter za usisavač R priključite crijevo usisavača
  - ! **Crijevo usisavača nikada ne smije ometati donji štitnik ili postupak rezanja**
  - Vreća za prašinu
    - Montirajte vreću za prašinu AD
- Rukovanje alatom
  - Postavite bateriju.



- jednom rukom čvrsto držite ručku S, a drugom rukom čvrsto držite ručku T
- Alat postavite prednjim krajem nožne pločice na obradak.

**! Uvjerite se da zupci pile ne zahvaćaju u obradak.**

- alat uključite pritiskom na sigurnosnu sklopku W i zatim povucite okidač Y

**! Alat treba raditi punom brzinom prije nego list pile uđe u obradak.**

- donji štitnik F automatski se otvara kada list pile prođe u obradak (ručno otvorite donji štitnik pomoću poluge G samo za posebne rezove, kao što su uranjajući rezovi)

**! Nemojte prisilno primjenjivati alat (primijenite lagani i kontinuirani pritisak da izbjegnute pregrijavanje vrhova lista pile).**

- nakon završetka rezanja isključite alat otpuštanjem okidača Y

**! Uvjerite se da se list pile potpuno zaustavio prije podizanja alata s obratka**

## SAVJETI ZA PRIMJENU

- Dobru stranu obratka okrenite prema dolje kako biste osigurali minimalno odlamanje
- Koristite samo oštre listove pile ispravne vrste ⑬
  - kvaliteta rezanja poboljšava se većim brojem zubaca
  - listovi pile s vrhom od karbida ostaju oštri do 30 puta dulje od uobičajenih listova pile
- Poprečni rezovi / uzdužni rezovi ⑭
  - Poprečni rezovi ili uzdužni rezovi lako se izvode pomoću paralelne vodilice Z.
  - poravnajte vodilicu s indikatorom linije rezanja Q od 0° na stopi
  - umetnite paralelnu vodilicu Z kroz utore s obje strane stope do željene širine i pričvrstite gumbom AA
- ! pazite da bočni graničnik ne ometa slobodno kretanje donjeg štitnika i lista pile**
- Uranjajuće rezanje ⑮
  - Podesite željenu dubinu rezanja.
  - nagnite alat prema naprijed s indikatorom linije rezanja Q u ravnini sa željenom linijom reza označenom na obratku
  - otvorite donji štitnik F polugom G
  - Neposredno prije nego što list pile uđe u obradak, uključite alat i postupno spuštajte stražnji kraj alata tako da prednji kraj nožne pločice upotrijebite kao točku zakretanja.
  - Postupno pomičite alat prema dolje i naprijed.
  - čim list pile prođe u materijal, otpustite polugu G
- ! Alat nemojte nikada povlačiti unatrag.**
- Rezanje velikih ploča ⑯
  - Poduprite ploču blizu reza bilo na podu, stolu ili radnom stolu.
- ! Podesite dubinu rezanja tako da režete kroz ploču, a ne kroz oslonac.**
  - Ako paralelna vodilica ne dopušta željenu širinu reza, stezaljkom ili čavlima pričvrstite ravan komad drveta na obradak kao vodilicu i uz ovu vodilicu ⑰ upotrebljavajte lijevu stranu nožne pločice.
- Rezanje s vodilicom ⑲ \*NIJE STANDARDNO UKLJUČENO
  - Upotreba vodilice omogućuje precizne, ravne, točne rezove pod kutovima nagiba od 0° ili 45°.
  - Prije prvog reza s vodilicom, gumeni rub mora biti

prilagođen kružnoj pili koja se upotrebljava.

- za ravni rez od 0°, poravnajte nagib od 0° na vodilici AE (ili nagib od 45° kada radite kosi rez od 45°) sa željenom linijom reza označenom na obratku
- čvrsto pričvrstite vodilicu AE na obradak pomoću stezača vodilice AF ⑲ \*NIJE STANDARDNO UKLJUČENO
- gurnite pilu na vodilicu AE i okrećite gumbe za podešavanje utora vodilice U udesno kako biste smanjili razmak između utora u stopi i izbočenog rebra na vodilici AE i provjerite može li pila slobodno kliziti po vodilici bez bočnog ljuljanja.
- prilikom podešavanja dubine rezanja, ne zaboravite uzeti u obzir debljinu vodilice AE
- ravnomjerno vodite pilu s malim posmakom kroz završetak vodilice
- Više informacija potražite na internetskoj stranici [www.skil.com](http://www.skil.com).

## ODRŽAVANJE/SERVISIRANJE

- Ovaj alat nije predviđen za profesionalnu upotrebu.
- Alat uvijek treba biti čist!
- bateriju uklonite iz alata prije čišćenja
- Područje oko donjeg štitnika F ② uvijek održavajte čistim (uklonite prašinu i strugotine otpuhivanjem stlačenim zrakom ili četkom)
- List pile odmah očistite nakon upotrebe (posebno od smole i ljepljiva).
- Ako se dogodi da je alat neispravan unatoč pažljivoj proizvodnji i testiranju, popravak treba obaviti ovlašteni servisni centar za električne alate proizvođača SKIL.
  - alat treba nerastavljen predati, zajedno s računom o kupnji u najbližu SKIL ugovornu servisnu radionicu (popise servisa, kao i oznake rezervnih dijelova alata možete naći na adresi [www.skil.com](http://www.skil.com))
- Imajte na umu da je šteta zbog preopterećenja ili nepravilnog rukovanja alatom isključena iz jamstva (pogledajte uvjete jamstva proizvođača SKIL na [www.skil.com](http://www.skil.com) ili obratite se svom zastupniku).

## ZAŠTITA OKOLIŠA

Samo za zemlje EU

- Ne odlažite električne alate, pribor i ambalažu zajedno s kućnim otpadnim materijalom
- U skladu s europskom Direktivom 2012/19/EZ o otpadnoj električnoj i elektroničkoj opremi i njejoj implementaciji u nacionalno zakonodavstvo, električni alati koji su dostigli kraj radnog vijeka moraju se odvojeno prikupljati i slati na ekološki prihvatljivo recikliranje.
- Simbol ⑥ će vas podsjetiti kada trebate obaviti zbrinjavanje.
- ! Prije zbrinjavanja zaštitite kontakte baterije debelom ljepljivom trakom da spriječite kratki spoj.**

## BUKA/VIBRACIJE

- Mjereno u skladu s normom EN 62841, razina zvučnog tlaka ovoga alata je 91 dB(A) a razina zvučne snage 102 dB(A) (nesigurnost K = 3 dB) i vibracije \* (vektorski zbroj u tri osi; nesigurnost K = 1,5 m/s<sup>2</sup>) \* rezanje drveta < 2,5 m/s<sup>2</sup>

- Razina emisije vibracija izmjerena je u skladu sa standardiziranim testom prema normi EN 62841; može se upotrebljavati za usporedbu jednog alata s drugim i kao preliminarna procjena izloženosti vibracijama pri upotrebi alata za navedene primjene.
  - uporaba alata za druge namjene ili s drugim ili slabo održavanim priborom može u značajnoj mjeri povećati razinu izloženosti
  - vrijeme tijekom kojega je alat isključen ili je uključena ali se njime ne radi, može značajno smanjiti razinu izloženosti
- ! zaštitite se od posljedica vibracija održavanjem alata i njegovog pribora, održavanjem topline ruku, te organiziranjem načina rada**

SRB

## Bežična kružna testera 3571 bez četkica

### UVOD

- Ovaj alat je namenjen za uzdužno i poprečno sečenje drveta ravnim rezovima, kao i ugaonim rezovima do 56°
- Ovaj alat nije namenjen za profesionalnu upotrebu
- Pročitajte i sačuvajte ovo uputstvo za rukovanje ③

### TEHNIČKI PODACI ①

### ELEMENTI ALATA ②

- A Inbus ključ
- B Mesto za inbus ključ
- C Dugme za zaključavanje vretena
- D Zavrtnaj sečiva
- E Prirubnica
- F Donji štitnik
- G Poluga za otvaranje donjeg štitnika
- H Površina za odsecanje
- J Dugme za podešavanje dubine testerisanja
- K Nožna ploča
- L Indikator dubine sečenja
- M Poluga za podešavanje ugla sečenja
- N Indikator ugla sečenja
- P Stoper na 45° kosine
- Q Indikator linije sečenja
- R Adapter za usisivač
- S Zadnja drška
- T Prednja drška
- U Dugmad za podešavanje proreza vodilice
- V LED svetlo
- W Sigurnosni prekidač
- X Prorez vodilice
- Y Okidač
- Z Bočna vodilja
- AA Dugme za podešavanje paralelne vodilje
- AB AKukica
- AC Indikator nivoa baterije
- AD Vreća za prašinu\*
- AE Šina vodilice\*
- AF Stega za šinu vodilice\*

\* NIJE STANDARDNO PRILOŽENO

## SIGURNOST

### OPŠTA SIGURNOSNA UPOZORENJA ZA ELEKTRIČNI ALAT

**⚠ UPOZORENJE Pročitajte sva bezbednosna upozorenja, uputstva, ilustracije i specifikacije priložene uz ovaj električni alat.** Nepodržavanje svih dolenađenih uputstava može da dovede do strujnog udara, požara i/ili ozbiljne povrede.

**Sačuvajte sva upozorenja i uputstva za buduću upotrebu.**

Pojam „električni alat“ u upozorenjima označava električni alat (sa žicom) koji se uključuje u utičnicu ili električni alat (bežični) na baterije.

#### 1) BEZBEDNOST NA RADNOM PODRUČJU

- a) **Održavajte radno područje čistim i dobro osvetljenim.** Na pretrpanim ili mračnim područjima su veće šanse da dođe do nezgoda.
- b) **Ne koristite električne alate u eksplozivnim atmosferama, kao na primer u prisustvu zapaljivih tečnosti, gasova ili prašine.** Električni alat stvara varnice koje mogu zapaliti prašinu ili isparenja.
- c) **Držite decu i posmatrača podalje dok koristite električni alat.** Ako vam nešto odvrti pažnju, možete izgubiti kontrolu.

#### 2) ELEKTRIČNA BEZBEDNOST

- a) **Utikaç električnog alata mora odgovarati utičnici. Nikada ne modifikujete utikač ni na koji način. Ne koristite adapterske utikače sa uzemljenim električnim alatom.** Nemodifikovani utikači i odgovarajuće utičnice će smanjiti rizik od strujnog udara.
- b) **Izbegavajte kontakt delova tela sa uzemljenim površinama, poput cevi, radijatora, šporeta i frižidera.** Postoji povećan rizik od strujnog udara ako je vaše telo uzemljeno.
- c) **Ne izlažite električne alate kiši ili mokrim uslovima.** Voda koja uđe u električni alat povećava rizik od strujnog udara.
- d) **Nemojte zloupotrebljavati kabl. Nikada ne koristite kabl za nošenje, vučenje ili isključivanje iz utičnice električnog alata. Čuvajte kabl podalje od toplote, nafte, oštih ivica ili pokretnih delova.** Oštećen ili upetljan kabl povećava rizik od strujnog udara.
- e) **Kada koristite električni alat na otvorenom prostoru, koristite produžni kabl pogodan za korišćenje na otvorenom prostoru.** Upotreba kabla pogodnog za korišćenje na otvorenom prostoru smanjuje rizik od strujnog udara.
- f) **Ako je korišćenje električnog alata u vlažnom području neizbežno, koristite izvor napajanja sa zaštitnim uređajem diferencijalne struje (RCD).** Korišćenje RCD smanjuje rizik od strujnog udara.

#### 3) LIČNA BEZBEDNOST

- a) **Ostanite u pripravnosti, pazite šta radite i koristite zdrav razum kada koristite električni alat. Ne koristite električni alat kada ste umorni ili pod uticajem droga, alkohola ili lekova.** Trenutak nepažnje kada koristite električni alat je dovoljan da izazove ozbiljne telesne povrede.

- b) **Koristite ličnu zaštitnu opremu. Uvek nosite zaštitu za oči.** Zaštitna oprema poput maske za prašinu, radnih cipela koje se ne klizaju, šlema ili zaštitne sluha će, kada se koristi za odgovarajuće uslove, smanjiti telesne povrede.
- c) **Sprečite nehotično pokretanje. Osigurajte da prekidač bude u isključenom položaju pre povezivanja na izvor napajanja i/ili bateriju, podizanja ili nošenja alata.** Nošenje električnih alata sa prstom na prekidaču ili uključivanje u utičnicu električnih alata čiji prekidač je u uključenom položaju priziva nezgode.
- d) **Uklonite sve ključeve za podešavanje pre uključivanja električnog alata.** Ključ koji ostane pričvršćen za rotacioni deo električnog alata može da izazove telesnu povredu.
- e) **Ne presežite. U svakom trenutku održavajte pravilan položaj nogu i ravnotežu.** To omogućava bolju kontrolu električnog alata u neočekivanim situacijama.
- f) **Prikladno se obucite. Ne nosite labavu odeću niti nakit. Držite kosu i odeću dalje od pokretnih delova.** Labava odeća, nakit ili duga kosa mogu da se zakače pokretnim delovima.
- g) **Ako su priložena sredstva za povezivanje delova za izbacivanje i prikupljanje prašine, osigurajte da ona budu povezani i da se pravilno koriste.** Upotreba kolektora prašine može da smanji opasnosti koje izaziva prašina.
- h) **Ne dozvolite da zbog poznavanja koje ste stekli kroz čestu upotrebu alata postanete samozadovoljni i ignorirate principe bezbednosti alata.** Nemarni postupak može da izazove ozbiljnu povredu u deliću sekunde.
- 4) **UPOTREBA I ODRŽAVANJE ELEKTRIČNOG ALATA**
- a) **Ne silite električni alat. Koristite odgovarajući električni alat za ono što radite.** Odgovarajući električni alat uradiće posao bolje i bezbednije onom brzinom za koju je dizajniran.
- b) **Ne koristite električni alat ako ga prekidač ne uključuje i isključuje.** Svaki električni alat koji se ne može kontrolisati prekidačem je opasan i mora se popraviti.
- c) **Izvcite utikač iz izvora napajanja i/ili izvadite bateriju, ako je odvojiva, iz električnog alata pre bilo kakvog podešavanja, menjanja dodataka ili skladištenja električnog alata.** Takve preventivne sigurnosne mere smanjuju rizik od nehotičnog pokretanja električnog alata.
- d) **Skladištite isključene električne alate van domašaja dece i ne dozvolite osobama koje nisu upoznate sa ovim električnim alatom ili ovim uputstvom da rukuju električnim alatom.** Električni alat je opasan u rukama nekvalifikovanih korisnika.
- e) **Održavajte električni alat i dodatke. Proverite pravilno poravnanje ili spojeve pokretnih delova, lomljenje delova i sva druga stanja koja mogu da utiču na rad električnog alata.** Ako je oštećen, odnesite električni alat na popravku pre upotrebe. Mnoge nezgode su izazvane loše održanim električnim alatom.
- f) **Održavajte alate koji seku oštrim i čistim.** Pravilno održavani alati za sečenje sa oštrim ivicama za sečenje se ređe zapetljavaju i lakše se kontrolišu.
- g) **Koristite električni alat, dodatke, delove itd. u skladu sa ovim uputstvom, uzimajući u obzir radne uslove**
- i rad koji treba obaviti. Korišćenje električnog alata za rad drugačiji od predviđenog moglo bi da dovede do opasne situacije.
- h) **Održavajte drške i površine koje hvatate suvim, čistim i bez ulja i masnoće.** Klizave drške i površine koje hvatate ne omogućavaju bezbedno rukovanje i kontrolu alata u neočekivanim situacijama.
- 5) **OPOTREBA I ODRŽAVANJE ALATA NA BATERIJE**
- a) **Punite samo punjačem koji navodi proizvođač.** Punjač koji je prikladan za jedan tip baterije može da stvori opasnost od požara kad se koristi sa nekom drugom baterijom.
- b) **Koristite električni alat samo sa konkretno imenovanim baterijama.** Upotreba bilo kakvih drugih baterija može da stvori rizik od povrede i požara.
- c) **Kad se baterija ne koristi, držite je dalje od drugih metalnih predmeta, poput spajalica, novčića, ključeva, eksera, vijaka ili drugih malih metalnih predmeta koji mogu da naprave spoj jednog terminala sa drugim.** Kratak spoj terminala baterije može da izazove opekotine ili požar.
- d) **U ekstremnim uslovima može doći do curenja tečnosti iz baterije; izbegavajte kontakt sa njom. Ako dođe do nehotičnog kontakta, isperite vodom.** Ako tečnost dođe u kontakt sa očima, takođe potražite i medicinsku pomoć. Tečnost iz baterije može da izazove iritaciju ili opekotine.
- e) **Ne koristite bateriju ili alat koji su oštećeni ili modifikovani.** Oštećene ili modifikovane baterije mogu da ispolje nepredvidivo ponašanje, dovodeći do požara, eksplozije ili rizika od povrede.
- f) **Ne izlažite bateriju ili alat vatri ili previsokoj temperaturi.** Izlaganje vatri ili temperaturi iznad 130 °C može izazvati eksploziju.
- g) **Pratite sva uputstva za punjenje i ne punite bateriju ili alat izvan temperaturnog opsega navedenog u uputstvima.** Punjenje na nepravilan način ili na temperaturama izvan navedenog opsega može da ošteti bateriju i poveća rizik od požara.
- 6) **SERVIS**
- a) **Odnosite električni alat na servisiranje kod kvalifikovanog servisera koji će koristiti samo identične rezervne delove.** To će osigurati da bezbednost električnog alata bude održana.
- b) **Nikad ne servisirajte oštećene baterije.** Servisiranje baterija treba da radi samo proizvođač ili ovlašćeni servis.

## SIGURNOSNA UPOZORENJA ZA BEŽIČNE KRUŽNE TESTERE

### 1) POSTUPCI TESTERISANJA

- a) **⚠ OPASNOST: Držite ruke dalje od mesta sečenja i oštrice. Držite drugu ruku na pomoćnoj dršci ili na kućištu motora.** Ako obe ruke drže testeru, sečivo ih ne može poseći.
- b) **Ne posežite ispod predmeta koji sečete.** Štitnik ne može da vas zaštiti od sečiva ispod predmeta koji sečete.
- c) **Podesite dubinu sečenja na debljinu predmeta koji sečete.** Ispod predmeta koji sečete treba da se vidi manje od celog zupca sečiva.
- d) **Obradak koji sečete nemojte nikad držati u rukama**

**ili preko noge. Pričvrstite predmet koji sećete na stabilnu platformu.** Važno je pravilno fiksirati materijal da biste smanjili izloženost delova tela, zaglavljivanje sećiva ili gubitak kontrole.

- e) **Držite električni alat samo za izolovane površine za hvatanje kad vršite radnju gde alat za sećenje može da dodirne skrivene žice ili sopstveni kabl** (ako dodirne „živu“ žicu, tada će i izloženi metalni delovi električnog alata biti pod naponom i rukovalac može da doživi strujni udar)
- f) **Prilikom uzdužnog sećenja, uvek koristite paralelnu vodnicu ili ivičnu vodnicu.** Na taj način se poboljšava preciznost sećenja i smanjuje se šansa za zaglavljivanje sećiva.
- g) **Uvek koristite listove testere odgovarajuće veličine i oblika rupa za osovinu (romb ili krug).** Sećiva koji se ne podudaraju sa hardverom za montažu na testeri će raditi ekscentrično, što dovodi do gubitka kontrole.
- h) **Nikada ne koristite oštećene ili pogrešne podloške za sećivo ili zavrtanj.** Podloške za sećivo i zavrtanj su posebno dizajnirane za vašu testeru, radi optimalnih performansi i bezbednosti pri rukovanju.

## 2) UZROCI POVRATNOG UDARCA I SRODNA UPOZORENJA

- Povratni udarac predstavlja iznenadnu reakciju na zaglavljeno, blokirano ili loše poravnato sećivo testere što izaziva nekontrolisano pomeranje testere ka gore i dalje od predmeta koji se obrađuje, prema rukovaocu
- Kada se sećivo čvrsto zaglavi ili blokira prilikom zatvaranja reza, sećivo radi u prazno a reakcija motora ubrzano baca jedinicu unazad ka rukovaocu
- Ako se sećivo iskrivi ili loše poravna u rezu, zubi na zadnjoj ivici sećiva mogu da se zabiju u gornju površinu drveta i da izazovu dizanje sećiva iz reza i iskakanje ka rukovaocu.
- Povratni udarac je posledica zloupotebe električnog alata i/ili nepravilnih procedura ili uslova rukovanja i može se izbeći preduzimanjem odgovarajućih mera opreza kako je navedeno ispod.
- a) **Održavajte čvrst hvat sa obe šake na testeri i postavite ruke tako da se odupru silama povratnog udarca. Postavite telo sa jedne ili druge strane sećiva, ali ne u liniji sa sećivom.** Povratni udarac može da izazove skok sećiva unazad ali rukovalac može kontrolisati sile povratnog udarca ako preduzima odgovarajuće mere predostrožnosti.
- b) **Kada se sećivo zaglavљуje ili kada zbog bilo kog razloga prekidate sećenje, otpustite okidač i držite testeru nepomično u materijalu dok se sećivo potpuno ne zaustavi. Nikad ne pokušavajte da izvadite testeru iz obratka ili da je povučete unazad dok je sećivo u pokretu jer može doći do povratnog udarca.** Istražite i preduzmite korektivne radnje kako biste eliminisali uzrok zaglavljivanja sećiva. Izbegavajte sećenje eksera ili vijaka.
- c) **Prilikom ponovnog pokretanja testere u obratku, centrirajte list testere u rezu i proverite da zubi testere ne dodiruju materijal.** Ako se list testere zaglavi, on može da iskoči iz obratka ili izazove povratni udarac kad se testera ponovo pokrene.
- d) **Poduprite velike panele da biste smanjili rizik od ukleštenja sećiva i povratnog udarca.** Veliki paneli imaju tendenciju da se savijaju pod sopstvenom težinom.

Noseća struktura mora biti stavljena ispod panela sa obe strane, blizu linije reza i blizu ivice panela.

- e) **Ne koristite tupa ili oštećena sećiva.** Nenaoštrana ili nepravilno postavljena sećiva prave uzan rez koji izaziva prekomerno trenje, zaglavljivanje sećiva i povratni udarac.
  - f) **Ručice za zaključavanje podešavanja dubine sećenja i ugla moraju da budu zategnute i čvrste početka sećenja.** Ako se podešavanje sećiva promeni tokom sećenja, to može dovesti do zaglavljivanja i povratnog udarca.
  - g) **Budite posebno oprezni kod testerisanja u postojećim zidovima ili drugim slepim mestima.** Sećivo koje viri može da zaseće predmete koji mogu da izazovu povratni udarac.
- ### 3) FUNKCIJA DONJEG ŠTITNIKA
- a) **Pre svake upotrebe proverite da li je donji štitnik pravilno zatvoren. Nemojte upotrebljavati testeru ako se donji štitnik ne kreće slobodno i ako se ne zatvara odmah. Nikada nemojte da fiksirate ili vezujete donji štitnik u otvoreni položaj.** Ako je testera slučajno ispuštena, donji štitnik se može iskriviti. Podignite donji štitnik pomoću drške za povlačenje i uverite se da se slobodno kreće i da ne dodiruje sećivo ili bilo koji drugi deo, u svim uglovima i dubinama sećenja.
  - b) **Proverite rad opruge donjeg štitnika. Ako štitnik i opruga ne rade kako treba, moraju biti popravljivi pre upotrebe.** Donji štitnik može raditi sporo zbog oštećenih delova, gumastih naslaga ili nagomilanog iverja.
  - c) **Donji štitnik bi trebalo da je povučen ručno samo zbog specijalnih rezova kao što su uronjeni rezovi i kombinovani rezovi. Podignite donji štitnik pomoću drške za povlačenje i, čim sećivo uđe u materijal, donji štitnik mora biti pušten.** Za svo ostalo testerisanje donji štitnik bi trebalo da radi automatski.
  - d) **Uvek se uverite da donji štitnik pokriva sećivo pre nego što testeru spustite na težu ili pod.** Nezaštićeno sećivo koje radi u prazno će prouzrokovati da se testera kreće unazad, sekuci sve što joj se nađe na putu. Imajte u vidu vreme potrebno da se sećivo zaustavi nakon što pustite prekidač.

## DODATNA SIGURNOSNA UPOZORENJA

### OPŠTA

- Ovaj alat ne treba da koriste osobe ispod 16 godina
- Ovaj alat nije pogodan za okro sećenje
- **Ne radite sa materijalima koji sadrže azbest** (azbest se smatra karcinogenim)
- Prašina od materijala poput farbe koja sadrži olovo, nekih vrsta drveta, minerala i metala može biti škodljiva (dodir sa tom prašinom ili njeno udisanje mogu izazvati alergijske reakcije i/ili respiratorne bolesti kod rukovaoca ili posmatrača); **nosite masku za prašinu i radite sa uređajem za uklanjanje prašine kad ga je moguće spojiti**
- Određene vrste prašine se klasifikuju kao karcinogene (poput prašine od hrasta i bukve), naročito u kombinaciji sa aditivima za kondicioniranje drveta; **nosite masku za prašinu i radite sa uređajem za uklanjanje prašine kad ga je moguće spojiti**
- Pratite nacionalne zahteve vezane za prašinu za materijale sa kojima želite da radite

- Ne koristite ovu testeru u kombinaciji sa postoljem za testere
- Uklonite bateriju iz alata pre svakog podešavanja ili promene pribora

#### PRIBOR

- SKIL može da osigura besprekorno funkcionisanje alata samo kad se koriste originalni dodaci
- Koristite samo sečiva koja odgovaraju karakterističnim podacima datim u ovom uputstvu za rukovanje i koja su testirana i obeležena u skladu sa EN 847-1
- Koristite samo pribor čija je dozvoljena brzina u najmanju ruku jednaka najvećoj brzini pri praznom hodu alata
- Koristite isključivo listove minimalnog prečnika 184 mm, maksimalnog prečnika 184 mm, i sa otvorom za vreteno od 16 mm
- Nikad ne koristite listove testere napravljene od čelika velike brzine (HSS)
- Nikada ne koristite brusne/rezne diskove sa ovim alatom

#### PRE UPOTREBE

- Izbegavajte oštećenja koja mogu izazvati šrafovi, ekseri i drugih elementi u obratku; uklonite ih pre nego što započnete rad
- Uklonite sve prepreke na iznad i ispod putanje sečenja pre nego što počnete da sečete
- **Učvrstite radni predmet** (radni predmet stegnut pomoću stega ili nečeg sličnog je mnogo stabilniji neko kada se drži rukom)
- **Koristite odgovarajuće detektore da biste pronašli skrivene vodove ili pozovite lokalnu kompaniju radi pomoći** (dodir sa električnim vodovima može dovesti do požara ili strujnog udara; oštećivanje gasnog voda može dovesti do eksplozije; probijanje vodovodne cevi će izazvati imovinsku štetu ili strujni udar)

#### TOKOM UPOTREBE

- Nivo buke tokom rada može premašiti 85 dB(A); nosite zaštitu za uši
- Nikada ne koristite alat bez originalnog zaštitnog sistema
- Ne pokušavajte da sečete izuzetno male obratke
- Ovim alatom nemojte raditi iznad glave
- U slučaju da dođe do blokade ili električnog ili mehaničkog kvara, odmah isključite alat i uklonite bateriju

#### NAKON UPOTREBE

- Kad odlažete alat, isključite motor i osigurajte da su se svi pokretni delovi potpuno zaustavili.
- Nakon isključivanja kružne testere, nikada ne zaustavljajte rotaciju lista testere primenom bočne sile na njega

#### BATERIJE

- **Baterija se isporučuje delimično napunjena** (da biste osigurali pun kapacitet baterije, bateriju napunite do kraja u punjaču baterije pre prvog korišćenja električnog alata)
- **Isključivo koristite sledeće baterije i punjače sa ovim alatom**
  - SKIL baterija: BR1\*31\*\*\*\*
  - SKIL punjač: CR1\*31\*\*\*\*
- Nemojte koristiti oštećenu bateriju; treba je zameniti
- Nemojte da rasklapate bateriju
- Nemojte izlagati alat/bateriju kiši
- Dozvoljena ambijentalna temperatura (alat/punjač/baterija):
  - tokom punjenja od 4 do 40 °C
  - prilikom režima rada -20...+50°C
  - prilikom skladištenja -20...+50°C

#### OBJAŠNJENJE SIMBOLA NA ALATU/BATERIJI

- ③ Pročitajte uputstvo za korišćenje pre upotrebe

- ④ Baterije mogu da eksplodiraju kad se bace u vatru, stoga nemojte spaljivati baterije ni zbog kog razloga
- ⑤ Čuvajte alat/punjač/bateriju na mestima gde temperatura neće preći 50 °C
- ⑥ Ne odlažite električne alate i baterije u kućni otpad

## UPOTREBA

- Punjenje baterije
  - ! **pročitajte bezbednosna upozorenja i uputstva priložena uz punjač**
- Uklanjanje/installiranje baterije ②
- Montiranje sečiva testere ②
  - ! **uklonite bateriju iz alata**
  - izvadite inbus ključ A iz skladišta B
  - pritisnite dugme za blokiranje vretena C i držite ga dok skidate zavrtnj sečiva D okretanjem inbus ključa A, **SUPROTNO KAZALJKI NA SATU** (= u istom smeru kao strelica odštampana na sečivu)
  - ! **dugme za zaključavanje vretena C pritisnite tek kada se alat sasvim zaustavi**
  - otpustite dugme za zaključavanje vretena C
  - uklonite prirubnicu E
  - ! **vodite računa da površine za stezanje H na prirubicama budu potpuno čiste i okrenute ka sečivu**
  - otvorite donji štitnik F pomoću poluge G i držite je dok montirate list testere; zubi i strelica odštampana na listu treba da budu okrenuti u istom smeru kao i strelica na donjem štitniku
  - otpustite donji štitnik F
  - montirajte prirubnicu E
  - pritisnite dugme za zaključavanje vretena C i držite ga dok zatežete navrtanj sečiva pomoću inbus ključa za 1/8 okreta nakon što zategnete prstima (tako se osigurava klizanje sečiva testere kada naide na prekomerni otpor i smanjuje preopterećenje motora i povratni udarac testere)
  - otpustite dugme za zaključavanje vretena C
- Podešavanje dubine sečenja (0-66 mm) ⑦
  - za rez optimalnog kvaliteta, list testere ne bi trebalo da se proteže više od 3 mm ispod obratka
  - otpustite dugme J
  - podignite/spustite stopu K dok ne podesite željenu dubinu sečenja na skali korišćenjem indikatora L
  - zategnite dugme J
- Indikator nivoa baterije ⑧
  - pritisnite dugme AC indikatora nivoa baterije da bi se prikazao trenutni nivo baterije ⑧a
  - ! **kada najniži nivo indikatora baterije počne da treperi nakon pritiska dugmeta AC ⑧b, baterija je prazna**
  - ! **kada 2 nivoa indikatora baterije počnu da trepere nakon pritiska na dugme AC ⑧c, baterija nije u dozvoljenom opsegu radne temperature**
- LED svetlo ⑨ V
  - LED lampa automatski svetli kad se aktivira prekidač za uključivanje/isključivanje
  - ! **kada LED svetlo počne da treperi, aktivira se zaštita baterije (pogledajte ispod)**
- Zaštita baterije
  - Alat se iznenada isključuje ili ne može da se uključi kada je
    - **opterećenje je preveliko** --> uklonite opterećenje i



restartujte

- **temperatura baterije nije u dozvoljenom radnom opsegu temperature od -20 do +50 °C** --> 2 nivoa indikatora za nivo baterije počinju da trepere kada pritisnete dugme AC (b); sačekajte dok se baterija ne vrati u dozvoljeni radni opseg temperature
- **baterija je skoro prazna (za zaštitu od prekomernog pražnjenja)** --> nizak nivo baterije ili treperenje za nizak nivo baterije (b) se prikazuju na indikatoru za nivo baterije kada se pritisne dugme AC; napunite bateriju

**! nemojte nastaviti da pritiskate prekidač za uključivanje/isključivanje nakon automatskog isključivanja alata; baterija se može oštetiti**

- **Podešavanje ugla sečenja (0-56°)** (9)
  - olabavite ručicu M
  - naginjte alat dok ne podesite željeni ugao sečenja na skali korišćenjem indikatora N
  - stoper na 45° kosine P omogućava brzo postavljanje na ugao kosine od 45°
  - da biste postavili ugao kosine veći od 45°, okrenite stoper na 45° kosine P da biste ga izvadili iz indikatora N
  - zategnite ručicu M

**! pri kosom sečenju, dubina sečenja ne odgovara vrednosti prikazanoj na skali za dubinu sečenja**

- **Indikator linije sečenja Q** (10)
  - za vođenje alata duž željene linije reza označen na radnom predmetu
  - za ravni rez od 0° ili rez kosine od 45° koristite odgovarajuću indikatorsku liniju

**! širi deo stope bi trebalo da stoji na poduprtom delu predmeta koji obrađujete**

**! širina sečenja se određuje širinom zubaca sečiva, a ne širinom lista sečiva**

**! uvek prvo izvedite probno sečenje, da biste proverili stvarnu liniju sečenja**

- **Usisavanje prašine** (11)  
Spojite adapter za usisivač R na testeru pomoću vijka sa Phillips glavom

Za korišćenje usisivača

- povežite crevo usisivača na adapter za usisivač R

**! nikada nemojte da dozvolite da crevo usisivača ometa donji štitnik ili operaciju sečenja**

Vreća za prašinu

- montirajte vreću za prašinu AD

- **Rukovanje alatom**

- montirajte bateriju

- uvek jednom rukom čvrsto držite ručku S, a drugom rukom čvrsto držite ručku T

- postavite alat sa prednjim krajem stope ravno na obradak

**! osigurajte da zubi testere ne dodiruju predmet koji obrađujete**

- uključite alat tako što ćete najpre pritisnuti sigurnosni prekidač W a zatim povući okidač Y

**! alat bi trebalo da radi punom brzinom pre nego što sečivo uđe u predmet koji obrađujete**

- donji štitnik F se automatski otvara kada sečivo uđe u obradak (ručno otvorite donji štitnik pomoću poluge G samo za posebne vrste sečenja, na primer za uronjeno sečenje)

**! ne forsirajte alat (primerite lak i kontinuiran**

**pritisak da biste izbegli pregrevanje vrhova sečiva)**

- nakon završetka sečenja, isključite alat otpuštanjem okidača Y

**! pre nego što podignete alat sa područja rada, proverite da li je došlo do potpunog prekida rada sečiva**

## SAVETI ZA PRIMENU

- Uvek okrenite dobrom stranom radnog predmeta nadole kako biste osigurali minimalno cepanje
- Koristite samo oštre listove testere odgovarajućeg tipa (13)
  - kvaliteta reza poboljšava se brojem zuba
  - sečiva sa karbidnim vrhovima ostaju oštra do 30 puta duže od običnih sečiva
- **Poprečni/uzdužni rezovi** (14)  
Poprečne ili uzdužne rezove je lako raditi pomoću paralelnog vodiča Z.
  - align the guideline with the 0° line-of-cut indicator Q on the foot
  - insert a parallel guide Z through slots in either side of foot to desired width and secure with the knob AA
- **! ensure rip fence does not interfere with the free movement of the lower guard and saw blade**
  - poravnajte vodiču sa indikatorom linije sečenja od 0° Q na stopi
  - umetnite paralelni vodič Z kroz proreze na obe strane stope do željene širine i učvrstite ga dugmetom AA
- **! osigurajte da ograda za rezanje ne ometa slobodno kretanje donjeg štitnika i lista testere**
- **Uronjeno sečenje** (15)
  - podesite željenu dubinu sečenja
  - nagните alat unapred sa indikatorom linije sečenja Q poravnatim sa željenom linijom sečenja označenom na obratku
  - otvorite donji štitnik F pomoću poluge G
  - neposredno pre nego što sečivo uđe u obradak, uključite alat i postepeno spustite zadnji kraj alata koristeći prednji kraj stope kao tačku rotacije
  - postepeno pomerajte alat nadole, kao i unapred - čim sečivo uđe u materijal, otpustite polugu G
- **! nemojte nikad da vučete alat unazad**
- **Sečenje velikih ploča** (16)
  - poduprite ploču blizu reza na podu, postolju ili tezgi
  - **! podesite dubinu sečenja tako da sečete kroz ploču, a ne kroz podupirač**
  - u slučaju da paralelni graničnik ne omogućava željenu širinu sečenja, zakačite stegom ili ekserom ravan komad drveta na područje rada kao vodič i koristite levu stranu stope uz ovaj vodič (17)
- **Sečenje sa šinom vodiča** (19) \* NIJE STANDARDNO PRILOŽENO  
Upotreba šine vodiča omogućava precizno, ravno, tačno sečenje sa 0° ili 45° kosine.  
Pre pravljenja prvog reza sa šinom vodičem, gumena ivica se mora prilagoditi kružnoj testeri koja se koristi.
  - za ravan rez od 0°, poravnajte stranu sa 0° kosine na šini AE (ili stranu sa 45° kosine kad pravite rez na 45° kosine) sa željenom linijom reza označenom na obratku
  - čvrsto zategnite šinu vodič AE na obradak pomoću stega za šinu vodič AF (18) \* NIJE STANDARDNO PRILOŽENO
  - gurnite testeru na šinu AE i okrenite dugmad za podešavanje proreza za šinu U, u smeru kazaljke na

satu, da biste smanjili razmak između proreza u stopi i izdignutog rebra na šini AE i osigurajte da testera može slobodno da klizi na šini bez ljuljanja postrance.

- kad postavljate dubinu sečenja, ne zaboravite da uračunate debljinu šine vodiča AE
- vodite testeru ravnomerno malom brzinom kroz kraj šine

- Za više informacija pogledajte [www.skil.com](http://www.skil.com)

## ODRŽAVANJE / SERVIS

- Ovaj alat nije namenjen za profesionalnu upotrebu
- Uvek održavajte čistoću alata!  
**! pre čišćenja uklonite bateriju iz alata**
- Neka prostor oko donjeg štitičnika F <sup>②</sup> uvek bude čist (uklonite prašinu i opiljke komprimovanim vazduhom ili četkom)
- Očistite list testere odmah nakon upotrebe (posebno od smole i lepka)
- Ako bi alat i pored brižljivog postupka izrade i kontrole nekada otkazao, popravku mora vršiti neki autorizovani servis za SKIL električne alate
  - pošaljite nerasklopljeni alat zajedno sa dokazom kupovine vašem prodavcu ili najbližoj SKIL servisnoj stanici (adrese kao i servisni dijagram alata možete naći na [www.skil.com](http://www.skil.com))
- Imajte na umu da za oštećenja nastala usled preopterećivanja ili nepravilnog rukovanja neće važiti garancija (za uslove SKIL garancije posetite [www.skil.com](http://www.skil.com) ili pitajte svog prodavca)

## ZAŠTITA OKOLINE

Samo za zemlje EU

- **Električne alate, pribor i ambalažu ne odlažite u kućne otpatke**
  - prema Evropskoj direktivi 2012/19/EC o otpadnoj električnoj i elektronskoj opremi i njenoj primeni u skladu sa nacionalnim zakonodavstvom, električni alati koji su došli do kraja svog radnog veka moraju biti prikupljeni zasebno i odneti u ekološki pogon za reciklažu
  - simbol <sup>Ⓢ</sup> će vas podsetiti na to kada se potreba za odlaganjem pojavi
- ! da bi se izbegli kratki spojevi, terminale baterije treba zaštititi debljom samolepljivom trakom pre odlaganja na otpad**

## BUKA / VIBRACIJA

- Mereno u skladu sa EN 62841, nivo zvučnog pritiska ovog alata je 91 dB(A), nivo zvučne snage je 102 dB(A) (nesigurnost K = 3 dB), a vibracija je **\*** (troosni vektorski zbir; nesigurnost K = 1,5 m/s<sup>2</sup>) **\*** sečenje drveta < 2,5 m/s<sup>2</sup>
- Nivo emisije vibracija izmeren je u skladu sa standardizovanim testom datim u EN 62841; on se može koristiti za upoređenje jedne alatke sa drugom, kao i za preliminarnu procenu izloženosti vibracijama pri korišćenju ove alatke za pomenute namene
  - korišćenje alata u drugačije svrhe ili sa drugačijim ili slabo održavanim priborom može značajno povećati nivo izloženosti
  - vreme kada je alat isključen ili kada je uključen ali se njime ne radi može značajno smanjiti nivo izloženosti

**! zaštitite se od posledica vibracija tako što ćete održavati alat i pribor, voditi računa da vam ruke budu tople i organizovati svoj rad**

(SLO)

## Brezžična brezkrtlačna krožna žaga

3571

### UVOD

- To orodje je namenjeno vzdolžnomu in prečnomu rezanju lesa, in sicer z ravnimi rezi in rezi pod kotom do 56°
- Orodje ni namenjeno profesionalni uporabi.
- Preberite in shranite navodila za uporabo <sup>③</sup>.

### TEHNIČNI PODATKI <sup>①</sup>

#### DELI ORODJA <sup>②</sup>

- A Imbus ključ
  - B Mesto za shranjevanje imbus ključa
  - C Gumb za zaklep vretena
  - D Vijak rezila
  - E Prirobnica
  - F Spodnje varovalo
  - G Ročica za odpiranje spodnjega varovala
  - H Vpenjalna površina
  - J Gumb za nastavitev globine žaganja
  - K Plošča podnožja
  - L Indikator globine reza
  - M Ročica za nastavitev kot reza
  - N Indikator kota reza
  - P 45° omejevalnik poševnine
  - Q Indikator linije reza
  - R Adapter za vakuumski sesalnik
  - S Zadnji ročaj
  - T Sprednji ročaj
  - U Gumbi za nastavitev vodilne reže
  - V Lučka LED
  - W Varnostno stikalo
  - X Vodilna reža
  - Y Stikalo za vklop/izklop
  - Z Stransko vodilo
  - AA Gumb za nastavitev stranskega vodila
  - AB AKavelj
  - AC Indikator stanja baterije
  - AD Vrečka za prah\*
  - AE Vodilo\*
  - AF Objemka vodila\*
- \* NI DEL STANDARDNE OPREME

### VARNOST

#### SPLOŠNA VARNOSTNA OPOZORILA ZA ELEKTRIČNA ORODJA

**⚠ OPOZORILO Preberite vsa varnostna opozorila, navodila in tehnične podatke ter si oglejte slike, ki so priloženi temu električnemu orodju. Zaradi neupoštevanja spodaj navedenih navodil lahko pride do električnega udara, požara in/ali hudih telesnih poškodb.**

## Vsa opozorila in navodila shranite za kasnejšo uporabo.

Izraz »električno orodje« v opozorilih se nanaša na orodja, ki jih poganja električni tok (žična), ali na akumulatorska (brezžična) orodja.

### 1) VARNOST DELOVNEGA OBMOČJA

- a) **Delovno območje naj bo čisto in dobro osvetljeno.** Na neurejenih ali temnih območjih se hitro zgodijo nesreče.
- b) **Električnega orodja ne upravljajte v eksplozivnih okoljih, na primer ob prisotnosti vnetljivih tekočin, plinov ali prahu.** Električno orodje ustvarja iskre, ki lahko povzročijo vžig prahu ali hlapov.
- c) **Med uporabo električnega orodja v bližino ne pustite otrok in drugih ljudi.** Zaradi motenj lahko izgubite nadzor.

### 2) ELEKTRIČNA VARNOST

- a) **Vtiči električnih orodij se morajo prilegati vtičnicam.** Vtiča nikoli ne smete spreminjati na kakršen koli način. Z ozemljenimi električnimi orodji ne uporabljajte adapterskih vtičev. Nespremenjeni vtiči in pripadajoče vtičnice bodo zmanjšali tveganje električnega udara.
- b) **Izogibajte se telesnemu stiku z ozemljenimi površinami, kot so cevi, radiatorji, štedilniki in hladilniki.** Če je vaše telo ozemljeno, obstaja povečano tveganje električnega udara.
- c) **Orodja ne izpostavljajte dežju ali vlažnim vremenskim pogojem.** Če v električno orodje zaide voda, obstaja večja možnost električnega udara.
- d) **Ne poškodujte električnega kabla.** Kabla nikoli ne uporabljajte za nošenje, vlečenje ali odklapanje električnega orodja. Kabel hranite stran od vročine, olja, ostrih robov ali premikajočih se delov. Poškodovani ali zapleteni kabli zvišujejo tveganje električnega udara.
- e) **Med zunanjo uporabo električnega orodja uporabljajte podaljšek, ki je primeren za zunanjo uporabo.** Uporaba kabla, primerne za zunanjo uporabo, znižuje tveganje električnega udara.
- f) **Če je uporaba električnega orodja na vlažnem mestu neizogibna, uporabite napajanje, zaščiteno z napravo na diferenčni tok.** Uporaba zaščitne naprave na diferenčni tok (RCbo) zmanjšala nevarnost električnega udara.

### 3) OSEBNA VARNOST

- a) **Med uporabo električnega orodja bodite pozorni, spremljajte potek dela in uporabljajte zdrav razum.** Električnega orodja ne uporabljajte, kadar ste utrujeni ali pod vplivom drog, alkohola ali zdravil. Trenutek nepazljivosti med uporabo električnega orodja lahko povzroči hude telesne poškodbe.
- b) **Uporabljajte osebno varovalno opremo. Vedno nosite ustrezno zaščitno opremo, kot so maska proti prahu, obutev z neдрsečim podplatom, trdno pokrivalo glave in zaščita za sluh, zmanjšate možnost telesnih poškodb.**
- c) **Preprečite neželen zagon. Pred priklopom na vir napajanja in/ali priklopom akumulatorskega sklopa ter pred dvigovanjem ali nošenjem orodja se prepričajte, da je stikalo v položaju za izklop.**

Prenašanje električnih orodij s prstom na stikalo ali napajanje električnih orodij, pri katerih je stikalo v položaju za vklop, povzroči tveganje za nesreče.

- d) **Pred vklopom električnega orodja odstranite morebitne nastavitvene ključe ali viličaste ključe.** Viličasti ali drug ključ, ki je pritrjen na vrtljivi del električnega orodja, lahko povzroči telesne poškodbe.
  - e) **Ne stegujte se preveč. Pazite, da ves čas stojite stabilno in ohranjate ravnotežje.** To omogoča boljši nadzor nad električnim orodjem v nepričakovanih situacijah.
  - f) **Bodite primerno oblečeni. Ne nosite ohlapnih oblačil ali nakita. Pazite, da lasje in oblačila ne pridejo v bližino gibljivih delov.** Ohlapna oblačila, nakit ali dolgi lasje se lahko zapletejo v gibljive dele.
  - g) **Če imate na voljo naprave za sesanje in zbiranje prahu, preverite, ali so priključene in ali se ustrezno uporabljajo.** Uporaba naprav za zbiranje prahu lahko zmanjša nevarnosti, povezane s prahom.
  - h) **Čeprav dobro poznate orodje zaradi pogoste uporabe, ne postanite ravnodušni in ne prezirajte varnostnih načel orodja.** Nepazljivost pri uporabi lahko povzroči hude telesne poškodbe v delcu sekunde.
- ### 4) UPORABA IN NEGA ELEKTRIČNEGA ORODJA
- a) **Električnega orodja ne preobremenjujte. Uporabite električno orodje, ki je primerno za vaše delo.** Ustrezno električno orodje bo nalogo opravilo bolje in varneje pri zmogljivosti, za katero je bilo zasnovano.
  - b) **Ne uporabljajte električnega orodja, če ga ni mogoče vklopiti in izklopiti s stikalom.** Kakršno koli električno orodje, ki ga ni mogoče nadzirati s stikalom, je nevarno in ga je potrebno popraviti.
  - c) **Odklopite vtič iz vira napajanja in/ali odstranite baterijski sklop, če je snemljiv, preden opravite kakršne koli prilagoditve, menjate nastavke ali shranite električno orodje.** Tovrstni preventivni varnostni ukrepi zmanjšujejo tveganje nenamernega zagona električnega orodja.
  - d) **Električna orodja, ki niso v uporabi, shranjujte izven dosega otrok in ne dovolite, da bi električno orodje uporabljale osebe, ki niso seznanjene z električnim orodjem ali s temi navodili.** Električno orodje je v rokah neusposobljenih uporabnikov nevarno.
  - e) **Električna orodja in dodatke vzdržujte. Preverite morebitno neoparvanost ali povezavo premikajočih se delov, zlome delov ali morebitno drugačno stanje, ki bi lahko vplivalo na delovanje električnega orodja.** Če je električno orodje poškodovano, ga pred ponovno uporabo nesite na popravilo. Mnogo nesreč se pripeti zaradi slabo vzdrževanih električnih orodij.
  - f) **Rezalna orodja naj bodo vedno nabrušena in čista.** Pravilno vzdrževana rezalna orodja z ostrimi rezili se težje zaskočijo in jih je lažje nadzirati.
  - g) **Električno orodje, dodatke, dele orodja itd. uporabljajte v skladu s temi navodili, pri tem pa upoštevajte delovne pogoje in delo, ki ga boste opravljali.** Če boste električno orodje uporabljali za neustrezne namene, lahko pride do nevarnih situacij.
  - h) **Ročaji in prijemalne površine naj bodo suhe, čiste in brez madežev olja ali masti.** Drseči ročaji in prijemalne površine ne omogočajo varnega ravnanja in nadzora orodja v nepričakovanih situacijah.

## 5) UPORABA IN VZDRŽEVANJE AKUMULATORSKEGA ORODJA

- a) **Akumulator polnite le s polnilnikom, ki ga določa proizvajalec.** Polnilnik, ki je primeren za eno vrsto akumulatorskih sklopov, morda lahko povzroči nevarnost požara, če z njim polnite drugo vrsto akumulatorskih sklopov.
  - b) **Akumulatorska orodja uporabljajte samo s predpisano vrsto akumulatorskih sklopov.** Uporaba katerih koli drugih akumulatorskih sklopov lahko povzroči tveganje za telesne poškodbe in požar.
  - c) **Ko akumulatorskih baterij ne uporabljate, jih hranite stran od kovinskih predmetov, kot so sponke za papir, kovanci, ključi, žebliji, vijaki ali drugi majhni kovinski deli, ki bi lahko povzročili stik med obema poloma.** Kratek stik zaradi povezanih kontaktov akumulatorja lahko povzroči opekline ali požar.
  - d) **Ob zlorabi akumulatorja lahko iz nje brizgne tekočina, stik s katero preprečite. Če se nehote dotaknete tekočine, mesto stika sperite z vodo.** Če pride tekočina v stik s očmi, poleg tega poiščite zdravstveno pomoč. Tekočina, ki brizgne iz akumulatorja, lahko povzroči draženje ali opekline.
  - e) **Akumulatorskega sklopa ali orodja, ki je poškodovano ali spremenjeno, ne uporabljajte.** Poškodovane ali spremenjene akumulatorske baterije se lahko nepredvidljivo vedejo, kar lahko povzroči požar, eksplozijo ali tveganje telesnih poškodb.
  - f) **Akumulatorskega sklopa ali orodja ne izpostavljajte ognju ali previsokim temperaturam.** Izpostavljenost ognju ali temperaturam nad 130 °C lahko povzroči eksplozijo.
  - g) **Upoštevajte vsa navodila za polnjenje in akumulatorske baterije ali orodja ne polnite izven temperaturnega razpona, navedenega v navodilih.** Zaradi nepravilnega polnjenja ali temperature zunaj navedenega razpona lahko pride do poškodb akumulatorja in povečanega tveganja za požar.
- ## 6) SERVIS
- a) **Električno orodje naj servisira usposobljeno servisno osebje, ki uporablja le enake nadomestne dele.** To bo zagotovilo ohranjanje varnosti električnega orodja.
  - b) **Nikoli ne popravljajte poškodovanih akumulatorskih sklopov.** Akumulatorske sklope lahko popravi le proizvajalec ali pooblaščen izvajalec servisiranja.

## VARNOSTNA OPOZORILA ZA BREŽIČNE KROŽNE ŽAGE

### 1) POSTOPKI REZANJA

- a) **NEVARNOST: Roke držite stran od območja rezanja in rezila. Drugo roko držite na pomožnem ročaju ali ohišju motorja.** Če držite žago z obema rokama, ju rezilo ne more prerezati.
- b) **Ne segajte pod obdelovanec.** Varovalo vas ne more zaščititi pred rezilom pod obdelovancem. Nastavite globino rezanja na debelino obdelovanca. Pod obdelovancem ne sme biti viden celoten zob zobnega rezila.
- c) **Obdelovanca, ki ga režete, nikoli ne držite v rokah ali položenega čez nogo.** Obdelovanec pritrдите na

stabilno platformo. Pomembno je, da se pravilno lotite dela, da zmanjšate izpostavljenost telesa, vezavo rezila ali izgubo nadzora.

- d) **Če izvajate dela, pri katerih bi lahko vstavno orodje zadelo ob skrite električne vodnike ali ob lastni omrežni kabel, držite električno orodje samo za izolirane ročaje** (stik z vodnikom, ki je pod napetostjo, prenese napetost tudi na kovinske dele električnega orodja in povzroči električni udar).
- e) **Pri trganju vedno uporabljajte stransko vodilo ali vodilo z ravnim robom.** Tako izboljšate natančnost reza in zmanjšate možnost vezave rezila.
- f) **Vedno uporabljajte rezila z ustrezno velikostjo in obliko (diamantna ali okrogla) lukenj nastavka.** Rezila, ki se ne ujemajo z vgradnim nastavkom žage, ne bodo delovala naravnost in bodo povzročila izgubo nadzora.
- g) **Nikoli ne uporabljajte poškodovanih ali napačnih podložk rezila ali sornika.** Podložke rezila in sornik so bili posebej zasnovani za vašo žago, za njeno optimalno in varno delovanje.

## 2) VZROKI ZA POVRATNE SUNKE IN Z NJIMI POVEZANA OPOZORILA

- Povratni sunek je nenadna reakcija na stisnjen, zataknen ali neporavnan žagin list, zaradi česar se žaga nenadzorovano dvigne gor in iz obdelovanca proti upravljavcu.
  - Ko je rezilo stisnjeno ali tesno zataknjeno zaradi zapiranja zareze, se rezilo upočasni in reakcija motorja hitro požene enoto proti operaterju.
  - Če se rezilo zvije ali nepravilno poravna v rezu, se lahko zobje na zadnjem robu rezila poglobijo v zgornjo površino lesa, zaradi česar se rezilo dvigne iz zareze in skoči nazaj proti operaterju.
  - Povratni sunek je posledica nepravilne uporabe električnega orodja in/ali nepravilnih delovnih postopkov ali pogojev, temu pa se lahko izognete s praviimi ukrepi, opisanimi v nadaljevanju teh navodil:
- a) **Trdno primate žago z obema rokama in postavite roki tako, da boste lahko ublažili sile povratnih sunkov. Postavite se na obe strani rezila, vendar ne v linijo rezila.** Povratni udarec lahko povzroči, da žaga odskoči, vendar lahko upravljavec ob upoštevanju ustreznih previdnostnih ukrepov nadzoruje sile povratnega udarca.
  - b) **Ko je rezilo vezano ali pri prekinitvi reza iz kakršnega koli razloga spustite sprožilec in držite žago nepremično v materialu, dokler se rezilo popolnoma ne ustavi. Nikoli ne poskušajte odstraniti žage iz obdelovanca ali povleči žago nazaj, medtem ko se rezilo premika, saj lahko pride do povratnega sunka.** Raziščite in sprejmite korektivne ukrepe, da odpravite vzrok za vezavo rezila. Izogibajte se rezanju žebeljev ali vijakov.
  - c) **Pri ponovnem zagonu žage v obdelovancu poravnajte žagin list na sredino zareze in se prepričajte, da zobniki žage niso v stiku z materialom.** Če je žagin list zataknen, se lahko ob ponovnem zagonu žage povzpne navzgor ali pa pride do odboja od obdelovanca.
  - d) **Velike plošče podprite, da zmanjšate tveganje za ukleščenje rezil in povratni sunek.** Velike plošče se pogreznejo pod svojo lastno težo. Opornike je treba

postaviti pod ploščo na obeh straneh, blizu linije reza in blizu roba plošče.

- e) **Ne uporabljajte topih ali poškodovanih rezil.** Nenabrušena ali nepravilno nameščena rezila ustvarijo ozko zarezo, ki povzroči prekomerno trenje, vezavo rezila in povratni sunek.
- f) **Preden naredite rez, morajo biti globina rezila in zaklepni vzvodi za nastavitve posevnine trdno in varno nameščeni.** Če se med rezanjem nastavitve rezila spremeni, lahko povzroči vezavo in povratni sunek.
- g) **Pri žaganju v obstoječe stene ali druga slepa območja morate biti še posebej previdni.** Izstopajoče rezilo lahko prereže predmete, ki lahko povzročijo povratni sunek.
- 3) FUNKCIJA SPODNJEGA VAROVALA**
- a) **Pred vsako uporabo preverite, ali je spodnje varovalo pravilno zaprto. Žage ne uporabite, če se spodnje varovalo ne premika prosto in se takoj zapre. Spodnjega varovala nikoli ne vpnite ali pritrdite v odprt položaj.** Če je žaga ponesreči padla, se lahko spodnje varovalo zvije. Z izvlečno ročico dvignite spodnje varovalo in se prepričajte, da se prosto giblje in se ne dotika rezila ali katerega koli drugega dela v vseh kotih in globinah reza.
- b) **Preverite delovanje vzmeti spodnjega varovala. Če varovalo in vzmet ne delujeta pravilno, ju je treba pred uporabo servisirati.** Spodnje varovalo lahko deluje počasi zaradi poškodovanih delov, lepiljivih usedlin ali kopičenja ostankov.
- c) **Spodnje varovalo lahko ročno uvlečete samo za posebne reze, kot so potopni rezi in sestavljeni rezi. Z uvlečnim ročajem dvignite spodnje varovalo in takoj, ko se rezilo dotakne materiala, se mora spodnje varovalo sprostiti.** Pri vseh drugih postopkih žaganja mora delovati spodnje varovalo samodejno.
- d) **Vedno preverite, ali spodnje varovalo pokriva rezilo, preden odložite žago na delovno mizo ali na tla.** Nezaščiten, vrteče se rezilo bo povzročilo, da se bo žaga premaknila nazaj in pri tem zarezala v vse na njeni poti. Upoštevajte čas, ki je potreben, da se rezilo zaustavi po sprostitvi stikala.

## DODATNA VARNOSTNA NAVODILA

### SPLOŠNO

- Tega orodja naj ne bi uporabljale osebe, mlajše od 16 let.
- To orodje ni primerno za mokro rezanje
- **Ne obdelujte materiala, ki vsebuje azbest** (azbest povzroča rakasta obolenja).
- Prah materialov, kot so barve, ki vsebujejo svinec, nekatere vrste lesa, mineralov ali kovin so lahko škodljivi (ob stiku ali vdihavanju lahko prah pri delavcu ali pri drugih prisotnih povzroči alergijsko reakcijo in/ali boleznih dihal); **nosite masko za prah in pri delu uporabljajte napravo za odsesavanje prahu, kjer je le-to možno priključiti.**
- **Nekatere vrste prahu so klasificirane kot kancerogene** (npr. prah hrasta in bukve), predvsem ob sočasni uporabi z dodatki za obdelavo lesa; **nosite masko za prah in pri delu uporabljajte napravo za odsesavanje prahu, kjer je le-to možno priključiti.**
- Upoštevajte nacionalne zahteve glede prahu za materiale, ki jih želite obdelovati.
- Te žage ne uporabljajte v kombinaciji z mizo za žago

- Preden orodje kakor koli prilagodite ali zamenjate nastavke, iz orodja odstranite akumulatorsko baterijo.

### DODATNI PRIBOR

- SKIL zagotavlja brezhibno delovanje orodja le z uporabo originalnega dodatnega pribora.
- Uporabljajte samo žagine liste, ki ustrezajo karakteristikam, navedenim v teh navodilih za uporabo, in ki so preizkušeni po EN 847-1 ter ustrezno označeni.
- Uporabljajte lahko dodatni pribor, katerega dovoljena hitrost je najmanj enaka največji hitrosti orodja.
- Uporabljajte samo žagine liste z najmanjšim premerom 184 mm, največjim premerom 184 mm in luknjo na vretenu 16 mm.
- Nikoli ne uporabljajte žaginih listov iz hitroreznega jekla (HSS).
- Nikoli ne uporabljajte brusilnih/rezalnih diskov s tem orodjem

### PRED UPORABO

- Izogibajte se poškodbam zaradi vijakov, žebeljev ali drugih elementov v obdelovancu; odstranite jih pred začetkom dela.
- Pred začetkom rezanja odstranite vse ovire na poti reza in pod njo.
- **Zavarujte obdelovanec** (obdelovanec vpet z vpenjalnimi napravami ali v primež je bolj varen, kot če ga držite z roko).
- **Za iskanje skritih električnih, plinskih in vodovodnih cevi uporabite primerne iskalne naprave (detektorje) ali se posvetujte z lokalnimi podjetji** (stik z električnimi vodniki lahko povzroči požar ali električni udar; poškodbe plinovoda lahko povzročijo eksplozijo, vdor v vodovodno omrežje pa materialno škodo ali električni udar).

### MED UPORABO

- Raven hrupa pri delu lahko preseže 85 dB(A); nosite zaščito za sluh.
- Nikoli ne uporabljajte orodja brez originalnega sistema zaščitnega varovala
- Ne poskušajte rezati zelo majhnih obdelovancev
- Z orodjem ne delajte nad glavo
- V primeru zatikanja ali električne ali mehanske okvare takoj izklopite orodje in odstranite baterijo.

### PO UPORABI

- Ko orodje postavite v stran, izklopite motor in pazite, da se vsi premikajoči se deli orodja popolnoma zaustavijo.
- Po izklopu krožne žage nikoli ne zaustavite vrtenja žaginega lista tako, da uporabite silo s strani.

### AKUMULATOR

- **Priloženi akumulator je delno napolnjen** (če želite zagotoviti polno zmogljivost akumulatorja, ga pred prvo uporabo popolnoma napolnite s polnilnikom za akumulator)
- **S tem orodjem lahko uporabljate samo naslednje akumulatorje in polnilce**
  - Baterija SKIL: BR1\*31\*\*\*\*
  - Polnilnik SKIL: CR1\*31\*\*\*\*
- Če je akumulator poškodovan, ga ne uporabljajte. Zamenjajte ga.
- Akumulatorja ne razstavljajte.
- Orodja/akumulatorja ne izpostavljajte dežju.
- Dovoljena temperatura okolice (orodje/polnilnik/akumulator):
  - pri polnjenju od 4 do 40 °C
  - pri delu -20...+50°C
  - pri skladiščenju -20...+50°C



## POJASNILO OZNAK NA ORODJU/AKUMULATORJU

- ③ Pred uporabo preberite navodila za uporabo.
- ④ Akumulatorji lahko pri izpostavljanju odprtemu ognju eksplodirajo, zato jih nikoli ne sežigajte.
- ⑤ Shranjujte orodje/polnilec/akumulator v prostoru, kjer temperatura ne bo preseгла 50 °C.
- ⑥ Ne odstranjujte električnega orodja in akumulatorja skupaj z gospodinjstvi odpadki.

## UPORABA

- Polnjenje akumulatorja
  - ! **Preberite varnostna opozorila in navodila, priložena polnilniku.**
- Odstranjevanje/namesščanje akumulatorja ②
- Namestitve žaginega lista ②
  - ! **Z orodja odstranite akumulator.**
  - vzemite imbus ključ A iz shrambe B
  - pritisnite gumb za zaklep vretena C in ga držite, medtem ko odstranjujete vijak rezila D tako, da imbus ključ A vrite v NASPROTNI SMERI URINEGA KAZALCA (= v isto smer, kot kaže puščica na žaginem listu).
  - ! **Gumb za blokado vretena C pritisnite, ko je orodje popolnoma zaustavljeno.**
  - Sprostite gumb za blokado vretena C.
  - Odstranite prirobnico E.
  - ! **Prepričajte se, da so naležne površine prirobnic H popolnoma čiste in obrnjene proti rezilu.**
  - Odprite spodnje varovalo F z vzvodom G in ga držite, medtem ko namestite žagin list tako, da kažejo zobje lista in puščica, ki je natisnjena na njem, v isto smer kot puščica na spodnjem varovalu.
  - Sprostite spodnje varovalo F.
  - Namestite prirobnico E.
  - Pritisnite gumb za zaklep vretena C in ga držite, medtem ko zategnete vijak rezila z imbus ključem za 1/8 obrata več kot z roko (to zagotavlja zdrs lista, če le ta naleti na premočno oviro; tako se zmanjša preobremenitev motorja in povratni sunek žage).
  - Sprostite gumb za blokado vretena C.
- Nastavitev globine reza (0–66 mm) ⑦
  - Za optimalno kvaliteten rez naj list žage ne sega iz obdelovanca več kot 3 mm.
  - Sprostite gumb J.
  - Dvignite/spustite nogo K, dokler na skali z indikatorjem L ne nastavite zelene globine rezanja.
  - Privijte gumb J.
- Indikator stanja napoljenosti akumulatorja ⑧
  - Pritisnite gumb indikatorja stanja akumulatorja AC, da prikažete trenutno stanje akumulatorja ⑧a.
  - ! **Ko po pritisku gumba AC ⑧b začne utripati najnižja stopnja napoljenosti baterije, je baterija prazna.**
  - ! **Ko po pritisku gumba AC ⑧c začeta utripati 2 stopnji indikatorja baterije, se baterija ne nahaja v dovoljenem temperaturnem obsegu.**
- Lučka LED ⑫ V
  - Lučka LED se ob aktiviranju stikala za vklop/izklop samodejno vklopi.
  - ! **Ko začne lučka LED utripati, je zaščita akumulatorja aktivirana (glejte spodaj).**
- Zaščita baterije
  - Orodje se nenadoma izklopi ali pa ga ni mogoče vklopiti

v naslednjih primerih:

- **previsoka obremenitev** --> odstranite obremenitev in zaženite znova;
- **temperatura baterije ni v dovoljenem razponu delovne temperature od –20 do +50 °C** --> 2 ravni indikatorja napoljenosti akumulatorja začnejo utripati, ko pritisnete gumb AC ⑧c; počakajte, da se akumulator vrne v dovoljeni razpon delovne temperature;
- **akumulator je skoraj prazen (preprečite popolno izpraznitev)**; indikator napoljenosti akumulatorja prikaže nizko raven napoljenosti akumulatorja ali utripajočo nizko raven napoljenosti akumulatorja ⑧b, ko pritisnete gumb AC; napolnite akumulator.
- ! **Po samodejnim izklopu ne pritiskajte stikala za vklop/izklop; akumulator se lahko poškoduje.**
- Nastavitev kota reza (0–56°) ⑨
  - Popustite ročico M
  - Nagibajte orodje, dokler na skali z indikatorjem ne nastavite zelenega kota rezanja N.
  - 45° stožčasti stop P ponuja hitro nastavitev 45° stožčastega kota.
  - Če želite nastaviti stožčasti kot večji od 45°, zavrtite 45° stožčasti stop P, da ga vzamete iz indikatorja N.
  - Zategnite ročico M
  - ! **Pri poševnem rezu globina reza ne ustreza označeni globini na skali.**
- Indikator linije reza Q ⑩
  - Pri vodenju orodja po črti reza na obdelovancu.
  - Indikator linije reza uporabite pri ravnih rezih (0°) ali poševnih rezih (45°).
  - ! **Širši del sani vodimo po podprtem delu obdelovanca.**
  - ! **Širina reza je določena s širino zob žaginega lista in ne z debelino telesa rezila.**
  - ! **Vedno najprej naredite poskusne reze, da preverite dejansko linijo reza.**
- Odsesavanje prahu ⑪
  - Adapter sesalnika R pritrdite na žago s križnim vijakom. Za uporabo vakuumskega sesalnika
  - Cev sesalnika priključite na adapter za sesalnik R.
  - ! **Cev sesalnika ne sme nikoli ovirati spodnjega varovala ali postopka rezanja.**
  - Vrečka za prah
  - Namestite vrečko za prah AD
- Upravljanje orodja
  - Namestite akumulator.
  - Z eno roko vedno trdno držite ročaj S, z drugo roko pa ročaj T.
  - Položite orodje s sprednjim delom podnožja na obdelovanec.
  - ! **Zagotovite, da se zobje žaginega lista ne zatikajo v obdelovanec.**
  - Orodje vklopite tako, da najprej pritisnete varnostno stikalo W in nato še sprožilec Y.
  - ! **Orodje naj doseže polno hitrost, preden rezilo zareže v obdelovanec.**
  - Spodnje varovalo F se samodejno odpre, ko z žaginim listom zarežete v obdelovanec (ročno odprite spodnje varovalo z vzvodom G samo za posebne reze, kot so potopni rezi).
  - ! **Orodja ne uporabljajte s silo (pritiskejte rahlo in neprekinjeno, da preprečite pregrevanje konic**

rezila).

- Po opravljenem rezu izklopite orodje, tako da sprostite sprožilce Y.

**! Prepričajte se, da je žagin list popolnoma zaustavljen, preden orodje dvignete iz obdelovanca.**

## NASVETI ZA UPORABO

- Vedno obrnite dobro stran obdelovanca navzdol, da zagotovite čim manj razpok.
- Uporabljajte samo ostre žagine liste ustreznega tipa ⑬
- - Kakovost reza se izboljšuje s številom zob
  - Rezila s karbidnimi konicami ostanejo ostra do 30-krat dlje kot običajna rezila
- Prečni rezi/raztrgani kosi ⑭  
Prečni rezi ali rezi so enostavni z vzporednim vodilom Z.
  - Poravnajte smernico z 0° indikatorjem linije reza na podnožju.
  - Vstavite vzporedno vodilo Z skozi reže na obeh straneh stopala na želeno širino in pritrдите z gumbom AA.
- ! Zagotoviti stransko vodilo ne ovira prostega pretoka spodnjega varovala in žaginega lista.**
- Potopno rezanje ⑮
  - Nastavite zeleno globino rezanja.
  - Orodje nagnite naprej z indikatorjem linije reza Q, ki je poravnana z zeleno linijo reza, označeno na obdelovancu.
  - Odprite spodnje varovalo F z vzvodom G.
  - Tik preden žagin list približamo obdelovancu, vključite orodje in postopoma spustite zadnji del žage; pri tem nam naslonjen prednji del žage služi kot tečaj.
  - Postopoma pomikajte orodje navzdol in tudi naprej.
  - Takoj, ko rezilo zareže v material, sprostite vzvod G.
- ! Orodja nikoli ne vlečite vzvratno.**
- Rezanje večjih plošč ⑯
  - Ploščo podprite blizu reza tako na tleh, mizi kot delovni mizi.
- ! Nastavite globino reza samo skozi ploščo, ne pa tudi skozi podporo.**
  - Če stransko vodilo ne omogoča zelene širine reza, pritrđite ali pribijte raven kos lesa na obdelovanec kot vodilo in uporabite levo stran podnožja za vodenje ob tem vodilu ⑰.
- Rezanje z vodilom ⑱ \*NI STANDARDNO PRILOŽENO.  
Uporaba vodila omogoča natančne, ravne in točne reze, bodisi pri 0° ali 45° poševnih rezih.  
Pred prvim rezom z vodilom je treba gumijasto tesnilo prilagoditi uporabljeni krožni žagi.
  - Za raven 0° rez poravnajte 0° poševno stran vodila AE (ali 45° poševno stran pri izdelavi 45° poševnega reza) z zeleno linijo reza, označeno na obdelovancu.
  - Vodilno tirnico AE trdno pritrđite na obdelovanec s pomočjo objemk vodila AF ⑳ \* NI DEL STANDARDNE OPREME.
  - Žago potisnite na vodilo AE in obrnite gumbe za nastavitve vodilne reže U v smeri urinega kazalca, da zmanjšate razmik med režo v podnožju in dvignjenim rebrom na vodilu AE, in poskrbite, da lahko žaga prosto drsi po vodilu, ne da bi se vrtela vstran.
  - Pri nastavljanju globine reza ne pozabite omogočiti debeline vodila AE.
  - Žago enakomerno usmerjajte s počasno hitrostjo

podajanja skozi konec vodila.

- Za več informacij obiščite spletno stran [www.skil.com](http://www.skil.com).

## VZDRŽEVANJE/SERVISIRANJE

- Orodje ni namenjeno profesionalni uporabi.
- Orodje naj bo vedno čisto!  
**! pred čiščenjem odstranite akumulator iz orodja**
- Vedno vzdržujte čistočo območja okoli spodnjega varovala F ② (prah in odrezke odstranite s preprihovanjem s stisnjenim zrakom ali krtačo).
- Žagin list očistite takoj po uporabi (zlasti smolo in lepilo).
- Če bi kljub skrbnim postopkom izdelave in preizkušanja prišlo do izpada delovanja orodja, naj popravilo opravi servisna delavnica, pooblaščenca za popravila električnih orodij SKIL.
  - Pošljite **nerazstavljeno** orodje skupaj s potrdilom o nakupu pri vašemu prodajalcu v najbližjo SKIL servisno delavnico (naslovi, kot tudi spisek rezervnih delov se nahaja na [www.skil.com](http://www.skil.com)).
- Zavedajte se, da garancija ne vključuje poškodb zaradi preobremenitve orodja ali nepravilne rabe (več informacij o garancijskih pogojih družbe SKIL najdete na spletnem mestu [www.skil.com](http://www.skil.com) ali povprašajte prodajalca).

## OKOLJE

Samo za države EU

- Električnega orodja, pribora in embalaže ne odstranjujete skupaj z gospodinjskimi odpadki.
  - V skladu z Evropsko direktivo 2012/19/EG o odpadni električni in elektronski opremi in z njenim izvajanjem v nacionalni zakonodaji je treba električna orodja ob koncu njihove življenjske dobe ločeno zbirati in jih predati v postopek okolju prijaznega recikliranja.
  - Ko bo potrebno odstranjevanje, vas bo na to spomnil simbol ⑥.
- ! Preden zavrzete akumulator, prilepite kontakte z debelejšim izolirnim trakom, da preprečite kratek stik.**

## HRUP/VIBRIRANJE

- Raven zvočnega tlaka tega orodja, izmerjena v skladu z EN 62841, je 91 dB (A), raven zvočne moči pa znaša 102 dB(A). (Negotovost K = 3 dB) in vibracije \* (vektorska vsota triax; negotovost K = 1,5 m/s<sup>2</sup>) \* rezanje lesa < 2,5 m/s<sup>2</sup>)
- Raven oddajanja vibracij je bila izmerjena v skladu s standardiziranimi testi, navedenimi v EN 62841; uporabiti jo je mogoče za primerjavo različnih orodij med seboj in za predhodno primerjavo izpostavljenosti vibracijam pri uporabi orodja za namene, ki so omenjeni.
  - Uporaba orodja za drugačne namene ali uporaba skupaj z drugimi, slabo vzdrževanimi nastavki lahko znatno poveča raven izpostavljenosti.
  - Čas, ko je orodje izklopljeno ali ko teče, vendar z njim ne delamo, lahko znatno zmanjša raven izpostavljenosti.
- ! Pred posledicami vibracij se zaščitite z vzdrževanjem orodja in pripadajočih nastavkov, ter tako, da so vaše roke tople, vaši delovni vzorci pa organizirani.**

## Harjadeta ja juhtmeta ketassaag

3571

### SISSEJUHATUS

- Tööriist on ettenähtud piki- ja ristlõigete tegemiseks puidus otse või kuni 56° kaldenurga all
- Tööriist pole mõeldud professionaalseks kasutamiseks.
- Lugege käesolev kasutusjuhend hoolikalt läbi ja hoidke alles ③.

### TEHNILISED ANDMED ①

### TÖÖRIISTA OSAD ②

- A Kuuskantvõti
  - B Kuuskantvõtme hoidik
  - C Spindlilukustusnupp
  - D Tera polt
  - E Äärk
  - F Alumine kettakaitse
  - G Alumine kettakaitse avamishoob
  - H Klemmpind
  - J Nupp saagimissügavuse reguleerimiseks
  - K Alusplaat
  - L Lõikesügavuse osuti
  - M Lõikenurga reguleerimishoob
  - N Lõikenurga osuti
  - P 45° kaldenurga stopper
  - Q Juhtkiil
  - R Tolmuimeja adapter
  - S Tagumine käepide
  - T Eesmine käepide
  - U Nupud juhtpilu reguleerimiseks
  - V LED-tuli
  - W Ohutuslüliti
  - X Juhtpilu
  - Y Päästiklüliti
  - Z Paralleeljuhk
  - AA Paralleeljuhiku reguleerimisnupp
  - AB AKonks
  - AC Aku laetuse taseme märgutuli
  - AD Tolmukott\*
  - AE Juhtsiin\*
  - AF Juhtsiini klamber\*
- \* EI KUULU STANDARDKOMPLEKTI

### OHUTUS

#### ÜLDISED ELEKTRITÖÖRIISTADE HOIATUSED

**⚠ HOIATUS!** Lugege läbi kõik elektritööriistaga kaasas olevad hoiatused, juhised, joonised ja andmed. Alltoodud juhiste eiramine võib põhjustada elektrilööki, tulekahju ja/või tõsisid vigastusi.

**Säilitage hoiatused ja juhised hilisemaks kasutuseks.**

Hoiatustes kasutatud termin "elektritööriist" viitab voolu jõul (juhtmega) töötavale elektrilisele tööriistale või aku jõul töötavale (juhtmeta) elektrilisele tööriistale.

#### 1) TÖÖPIIRKONNA OHUTUS

- a) **Tööpiirkond peab olema puhas ja hästi valgustatud.** Täis kuhjatud või valgustamata tööpiirkonnad võivad põhjustada õnnetusi.
- b) **Ärge kasutage elektritööriistu plahvatusohtlikes keskkondades, näiteks kergesti süttivate vedelike, gaaside või tolmu läheduses.** Elektritööriistad tekitavad sädemeid, mis võivad süüdata tolmu või aurusid.
- c) **Elektritööriistadega töötamisel hoidke lapsed ja kõrvalised isikud eemal.** Tähelepanu hajumisel võite kaotada kontrolli seadme üle.

#### 2) ELEKTRILINE OHUTUS

- a) **Elektritööriistad tuleb ühendada sobivasse pistikupessa. Ärge kunagi modifitseerige pistikut mitte mingil viisil. Ärge kasutage maandatud pistikuadapteere koos elektritööriistadega.** Modifitseerimata pistikud ja sobivad pistikupesad vähendavad elektrilöögi ohtu.
- b) **Vältige kehalist kontakti maandatud pindadega (nt torud, radiaatorid, pliidid, külmikud).** Kui teie keha on maandatud, suureneb elektrilöögi oht.
- c) **Ärge jätke elektritööriistu vihma kätte ega niisketesse tingimustesse.** Vee sattumine elektritööriista sisse suurendab elektrilöögi ohtu.
- d) **Ärge rikkuge juhet. Ärge kasutage juhet elektritööriista kandmiseks või tõmbamiseks ja ärge tõmmake juhtmet, kui soovite pistikut pistikupesast eemaldada. Vältige juhtme kokkupuudet kuumade esemete, õli, teravate servade või liikuvate osadega.** Kahjustatud või puntras juhe suurendab elektrilöögi ohtu.
- e) **Elektritööriistaga välitingimustes töötamiseks kasutage välitingimustesse sobivat pikendusjuhet.** Välitingimustesse sobiva juhtme kasutamine vähendab elektrilöögi ohtu.
- f) **Kui peate kindlasti tööriista märjas kohas kasutama, siis kasutage jääkvooluseadmega (RCD kasutatud toidet.** RCD kasutamine vähendab elektrilöögi ohtu.

#### 3) ISIKLIK OHUTUS

- a) **Olge tähelepanelik, töötage hoolikalt ja rakendage tervet mõistust. Ärge kasutage elektritööriista, kui olete väsinud, või rohtude, alkoholi või narkootikumide mõju all.** Vaid hetkeline tähelepanematus elektritööriista kasutamisel võib põhjustada raskeid kehavigastusi.
- b) **Kasutage isikukaitsevahendeid. Kandke alati silmakaitsevahendeid. Töötingimustele vastava kaitsevahetuse (nt tolmutummaski, mittelbisevate turvakingade, kiivri või kuulmiskaitsevahenditkasutamine vähendab kehavigastuste ohtu.**
- c) **Ennetage tööriista tahtmatut käivitamist. Enne tööriista vooluvõrgu ja/või akuplokiga ühendamist ning enne tööriista kandmist või üles tõstmist veenduge, et lüliti on mitteaktiivses asendis.** Elektritööriistade kandmine sõrme lülilit hoides või akuploki ühendamine, kui lüliti on sisse lülitatud, põhjustab õnnetusi.
- d) **Enne tööriista sisselülitamist eemaldage sellelt kõik reguleerimis- ja nutrivõtmed.** Elektritööriista pöörleva osa külge unustatud võtmed vms tööriistad võivad põhjustada kehavigastusi.
- e) **Ärge küünitage liiga kaugele. Töötage ainult kindlal**

- pinnal ja kohtades, kus pole ohtu tasakaalu kaotada. Nii säilitate ootamatutes olukordades parema kontrolli elektritööriista üle.
- f) Riietuge asjakohaselt. Ärge kandke avaraid rõivaid ega ehteid. Vältige oma juuste ja riie kokkupuudet liikuvate osadega. Avarad rõivad, ehted ja pikad juuksed võivad liikuvate osade vahele kinni jääda.
  - g) Kui toetage on kaasas vahendid tolmuärastus- ja kogumisseadmete ühendamiseks, siis veenduge, et need seadmed on korralikult ühendatud ja asjakohases kasutuses. Tolmukogumisseadmete kasutamine vähendab tolmu seotud ohtusid.
  - h) Kui seade on teile sagedase kasutamise tulemusel harjumuspäraseks saanud, ärge laske ennast lödvaks ega ignoreerige tööriista kasutamise ohutusreegleid. Hooletluse tõttu võite saada tõsiselt vigastusi ka sekundi mürdosa jooksul.
- #### 4) ELEKTRITÖÖRIISTA KASUTAMINE JA HOOLDUS
- a) **Ärge rakendage elektritööriista kasutamisel jõudu.** Kasutage konkreetselt tööks sobivat elektritööriista. Sobiva elektritööriista sobival kiirusel töötades saate töö valmis kiiresti ja ohutult.
  - b) **Ärge kasutage elektritööriista, mida ei saa lülitist sisse ega välja lülitada.** Elektritööriista, mille lüliti ei tööta, on ohtlikud ja tuleb parandada.
  - c) **Eemaldage pistik vooluvõrgust ja/või akuplokk seadme küljest, kui see on eemaldatav, enne seadme kohandamist, tarvikute vahetamist või elektritööriista hoiustamist.** Selliste ohutusmeetmete rakendamisel vähendate elektritööriista tahtmatu käivitamise võimalust.
  - d) **Elektritööriistu, mida te hetkel ei kasuta, hoidke lastele kättesaamatus kohas ning ärge lubage nendega töötada isikutel, kes pole tööriistade tööpõhimõtete või käesoleva juhendiga tutvunud.** Koolitamata isikute käes on elektritööriista ohtlikud.
  - e) **Hooldage nii elektritööriistu kui tarvikuid.** Kontrollige, et liikuvad komponendid on korrektselt joondatud ja ükski osa ei ole katki ning jälgige ka muid aspekte, mis võiksid elektritööriista omdusi mõjutada. Kahjustatud elektritööriist tuleb enne kasutamist parandada. Halvasti hooldatud elektritööriista põhjustavad palju õnnetusi.
  - f) **Hoidke oma lõiketööriista teravad ja puhtad.** Korralikult hooldatud ja teravate servadega lõikevahendid ei kiilu nii kergesti kinni ja on lihtsamini kontrollitavad.
  - g) **Kasutage elektritööriista, selle tarvikuid, tööriistaosi jm vastavalt käesolevale juhendile, võttes arvesse töötingimusi ja teostatavat tööd.** Elektritööriista mitteshipiparane kasutamine võib põhjustada ohtlikke olukordi.
  - h) **Hoidke käepidemed ja haardepinnad kuivad ja puhtad ning vältige neile õli ja rasva sattumist.** Libedad käepidemed ja haardepinnad takistavad seadme ohutut kasutamist ja käsitsemist ootamatutes olukordades.
- #### 5) AKUSEADMETE KASUTAMINE JA HOOLDUS
- a) **Kasutage laadimiseks ainult tootja poolt ette nähtud laadijaid.** Akulaadija, mis sobib teatud tüüpi akuplokkile, võib põhjustada tulekahju ohtu, kui seda kasutada mõne teise akuplokkiga.
  - b) **Kasutage elektritööriistu ainult nende jaoks ette nähtud akuplokkidega.** Mõne muu akuploki kasutamine

- võib põhjustada vigastuste ja tulekahju ohtu.
- c) **Kui akuplokki ei kasutata, hoidke seda eemal muudest metallesemetest nagu kirjaklambrid, mündid, võtmed, naelad, kruvid ja muud väikesed metallesemed, mis võivad klemmide vahel ühenduse luua.** Akuklemmide lüühiühendus võib põhjustada põletushaavu või tulekahju.
  - d) **Valedes tingimustes kasutamisel võib akust vedelikku välja tulla; vältige kokkupuudet.** Kokkupuute korral loputage veega. Kui vedelik satub silma, pöörduge lisaks ka arsti poole. Akust erituv vedelik võib põhjustada ärritust või põletusi.
  - e) **Ärge kasutage kahjustunud või modifitseeritud akuplokki või tööriista.** Kahjustunud või modifitseeritud akud võivad toimida ettearvamatult, mille tagajärjeks võivad olla tulekahju, plahvatus või vigastuste oht.
  - f) **Vältige akuploki või tööriista kokkupuudet tule või liiga kõrge temperatuuriga.** Kokkupuude lahtise tule või temperatuuriga üle 130 °C võib põhjustada plahvatusi.
  - g) **Järgige kõiki laadimisjuhiseid ja ärge laadige akuplokki või tööriista vale temperatuuri juures (vt juhiseid).** Valesi või valed temperatuuril laadimine võib kahjustada akut ja suurendada tulekahju ohtu.
- #### 6) HOOLDUS
- a) **Laske oma akutööriista hooldada kvalifitseeritud remonditehnikul, kes kasutab ainult identseid originaalvaruosu.** See tagab elektritööriista ohutuse.
  - b) **Ärge kunagi hooldage kahjustunud akuplokke.** Akuplokkide hooldust võib teostada ainult tootja või volitatud teeninduskeskus.

## AKUKETASSAAGIDE OHUTUSHOIATUSED

### 1) LÕIKAMISPROTSEDUURID

- a) **⚠ OHT! Hoidke käed lõikekohast ja terast eemal.** Hoidke oma teist kätt abikäepidemel või mootori korpusel. Kui mõlemad käed hoiavad saagi, ei saa tera neid lõigata.
- b) **Ärge pange kätt tooriku alla.** Kaitsepiire ei kaitse teid tera eest töödeldava detaili alumisel poolel.
- c) **Reguleerige lõikesügavust vastavalt tooriku paksusele.** Töödeldava detaili alt võib paista vähem kui üks tera hammas.
- d) **Ärge kunagi hoidke toorikut lõikamise ajal käes ega jala kohal.** Kinnitage toorik stabiilsele alusele. Keha kokkupuute, tera kinnikiilumise ja seadme üle kontrolli kaotamise minimeerimiseks on oluline detail korralikult toetada.
- e) **Kui esineb oht, et lõiketööriist võib tabada varjatud elektrijuhtmeid või seadme toitejuhet, hoidke seadet ainult isoleeritud käepidemetest** (kokkupuude voolu all oleva juhtmega pingestab ka seadme metalldetailid ja põhjustab kasutajale elektrilöögi).
- f) **Rebenemise korral kasutage alati paralleeljuhikut või sirget äärejuhikut.** See suurendab lõike täpsust ja vähendab tera kinnikiilumise tõenäosust.
- g) **Kasutage alati õige suuruse ja kujuga (rombilise või ümara) teljeavaga lõiketerasid.** Sae paigaldusriistvaraga mitte kokku sobivad lõiketerad ebaühtlaselt ja võivad põhjustada seadme üle kontrolli kaotamise.

- h) **Ärge kunagi kasutage teral kahjustatud või valesid seibe või polti.** Lõiketera seibid ja polt on loodud spetsiaalselt teie sae jaoks, et tagada selle optimaalne jõudlus ja ohutu kasutamine.
- 2) TAGASILÖÖGI PÕHJUSED JA NENDEGA SEOTUD HOIATUSED**
- Tagasilöökk on äkiline reaktsioon kokkusuрутud, kinnikiilunud või joondusest väljas saeterale, mille tagajärjel tõuseb kontrollimatu saag toorikust üles ja paiskub kasutaja suunas.
  - Kui saelõige surub lõiketera kokku või lõiketera saelõikesse kinni kiilub, jääb tera seisma ja mootori tõuge lötkab seadet kiiresti kasutaja suunas.
  - Kui lõiketera paindub või on lõikes joondusest väljas, võivad tera tagumise serva hambad puidu pealmisesse pinda tungida, põhjustades tera saelõikest väljaliikumise ning kasutaja poole paiskumise.
  - Tagasilöökk on seadme ebaõige kasutamise ja/või valede töövõtete või -tingimuste tagajärg. Seda saab vältida, rakendades järgnevalt kirjeldatud sobivaid ettevaatusabinõusid.
- a) **Hoidke saest mõlema käega tugevasti kinni ja viige oma käed asendisse, milles saate tagasilööggijõudude vastu astuda. Asetage oma keha terast ühele või teisele poole, kuid mitte teraga ühele joonele.** Tagasilöögi tõttu võib saag tagasi hüpata, kuid korralike ettevaatusabinõude korral saab operaator tagasilööggijõudu kontrollida.
- b) **Kui lõiketera kiilub kinni või lõikamine katkeb mõnel muul põhjusel, siis vabastage päästik ja hoidke saagi liikumatult tooriku sees, kuni lõiketera täielikult seisma jääb. Ärge kunagi püüdke eemaldada saagi tooriku seest või tõmmata saagi tahapoole siis, kui lõiketera veel liigub või kui võib tekkida tagasilöökk.** Lõiketera kinnikiilumise põhjused tuleb välja selgitada ja elimineerida. Vältige naelte või kruvide lõikamist.
- c) **Sae taaskäivitamisel toorikus seadke saetera saelõike keskele ja kontrollige, et saetera hambad ei ole tooriku sees kinni.** Kui saetera kinni kiilub, võib see sae taaskäivitamisel toorikust ülespoole liikuda või tagasilöögi anda.
- d) **Toetage suuri paneele, et minimeerida tera kokkusuрумise ja tagasilöögi ohtu. Suured paneelid kipuvad oma raskuse all painduma.** Paneel peab olema toetatud mõlemalt poolt, lõikejoone lähedalt ja paneeli otsa poolt.
- e) **Ärge kasutage nürisid või kahjustatud lõiketerasid.** Teritamata ja valesti seadistatud lõiketerad tekitavad kitsa saelõike; see omakorda põhjustab liigset hõõrdumist, lõiketera kinnikiilumist ja tagasilööki.
- f) **Tera sügavust ja kaldenurka reguleerivad lukustushoovad peavad enne lõike tegemist kindlalt kinni olema.** Tera seadistuse muutumine lõike ajal võib põhjustada tera kinnikiilumist ja tagasilööki.
- g) **Olemasolevate seinte või teiste pimealade lõikamisel olge eriti ettevaatlik.** Väljaulatuv tera võib lõigata detailidesse, mis võivad põhjustada tagasilööki.
- 3) ALUMISE KAITSE FUNKTSIOON**
- a) **Enne iga kasutamist kontrollige, kas alumine kaitse on korralikult suletud. Ärge kasutage saagi, kui alumine kaitse ei liigu vabalt ja ei sulgu koheselt. Ärge kunagi kinnitage ega siduge alumist kaitset**

avatud asendisse. Kui saag kogemata maha kukub, võib alumine kaitse painduda. Tõstke alumine kaitsepiire kokkupanudava käepideme abil üles ja veenduge, et see liigub vabalt ja ei puutu vastu tera ega muid seadme osi, mistahes nurga all või sügavuses te ka ei lõikaks.

- b) **Kontrollige alumise kaitse vedru funktsioneerimist. Kui kaitse ja vedru ei tööta korralikult, tuleb neid enne kasutamist hooldada.** Alumise kaitsepiirde aeglane funktsioneerimine võib tuleneda kahjustunud osadest, kleepuvate ainete või prahi kogunemisest.
- c) **Alumine kaitse tuleks käsitsi tagasi tõmmata ainult spetsiaalsete lõigete (nt sukelduslõigete/ süvislõigete ja liitlõigetpuhul).** Tõstke alumine kaitse, tõmmates käepidet üles ja niipea kui tera materjali sisse tungib, tuleb alumine kaitse vabastada. Kõigi teiste lõikamiste puhul peaks alumine kaitsepiire automaatselt töötama.
- d) **Enne sae pingile või pörandale asetamist kontrollige alati, et alumine kaitsepiire kataks lõiketera. Kaitsmata, vabakäigul liikuv lõiketera liigutab saagi tahapoole, lõigates kõike, mis selle teele jääb.** Jälgige ka aega, mille jooksul lõiketera pärast lüliti vabastamist peatub.

## TÄIENDAVAD OHUTUSNÕUDED

### ÜLDIST

- Tööriista kasutaja peab olema vähemalt 16-aastane.
- Tööriist ei sobi märglõigete tegemiseks.
- **Asbesti sisaldava materjali töötlemine on keelatud** (asbest võib tekitada vähki)
- Pliid sisaldavat värvi, mõningaid puiduliike, mineraale ja metalli sisaldavad materjalid eraldavad tolmu, mis võib olla kahjulik (kokkupuude tolmuaga või selle sissehingamine võib seadme kasutajal või läheduses viibivatel inimestel põhjustada allergilisi reaktsioone ja/või hingamisteede haigusi); **kandke tolumumaski ja vajaduse korral töötage külgeühendatava tolmueraldusseadmega.**
- Teatud tüüpi tolm on klassifitseeritud kantserogeensena (nt tammest ja pöögist eralduv tolm), eriti koos puidu niiskuse reguleerimiseks kasutatavate lisanditega; **kandke tolumumaski ja vajaduse korral töötage külgeühendatava tolmueraldusseadmega.**
- Erinevate materjalide töötlemisel tekkiava tolmu käitlemisel tuleb järgida kehtivaid nõudeid.
- Ärge kasutage seda saagi koos saelauaga.
- Enne tööriista reguleerimist või tarvikute vahetust võtke aku välja.

### LISATARVIKUD

- SKIL tagab seadme häireteta töö üksnes originaaltarvikute kasutamisel
- Kasutage üksnes saeterasid, mis vastavad käesolevas kasutusjuhendis esitatud andmetele ning mis on kontrollitud ja tähistatud vastavalt standardile EN 847-1
- Kasutage vaid neid tarvikuid, mille lubatud pöörete arv on vähemalt sama suur nagu maksimaalsed tühikäigupöörded
- Kasutage ainult vähemalt 184 mm ja maksimaalselt 184 mm läbimõõduga saeterasid spindliavaga 16 mm
- Ärge kunagi kasutage kiirlõiketerasest (HSS) valmistatud saeterasid
- Ärge kunagi kasutage selle tööriistaga lihvimis-/



lõikekettaid

## ENNE KASUTAMIST

- Välitge töödeldavas esemes olevatest kruvidest, naeltest vms põhjustatud kahjustusi; eemaldage need enne töö alustamist.
- Enne saagimise alustamist eemaldage kõik nii töödeldava materjali peal- kui allpool lõikejoonel asuvad takistused.
- **Kinnitage toorik** (fiksaatoriga kinnitatud või kruustangide vahele pandud toorik püsib kindlamini paigal kui lihtsalt käega hoides).
- **Varjatult paiknevate edastusliinide (elektrijuhtmed, gaasi- või veetorud) avastamiseks kasutage sobivaid detektoreid või pöörduge kohaliku elektri-, gaasi- või vee-ettevõtte poole** (kokkupuutel elektrijuhtmetega tulekahju- ja elektrilöögiolt; gaasitorustiku vigastamisel plahvatusoht; veetorustiku vigastamisel materiaalne kahju või elektrilöögiolt).

## KASUTAMISE AJAL

- Töötamise ajal võib müratase ületada 85 dB(A); kandke kuulmiskaitsevahendeid.
- Ärge kunagi kasutage tööriista ilma originaalkaitseeadisteta.
- Ärge püüdke saagida väga väikeseid toorikuid.
- Ärge töötaga tööriistaga, hoides seda pea kohal.
- Seadme takerdumise, elektrilise või mehhaanilise häire korral lülitage seade viivitamata välja ja eemaldage aku.

## PÄRAST KASUTAMIST

- Kaasasolev aku on osaliselt laetud (aku täisvõimsuse tagamiseks laadige aku enne elektrilise tööriista esmakordset kasutamist akulaadijas korralikult täis)
- Kasutage selle tööriistaga ainult järgmisi akusid ja laadijaid.
  - SKILi aku: BR1\*31\*\*\*\*
  - SKILi laadija: CR1\*31\*\*\*\*
- Ärge kasutage kahjustatud akusid, vaid vahetage need välja
- Ärge võtke akut lahti.
- Ärge jätke tööriista/akut vihma kätte.
- Ümbritseva keskkonna lubatud temperatuur (tööriista/laadijat/akut):
  - laadimisel 4 kuni 40 °C;
  - töötamisel -20...+50°C
  - säilitamisel -20...+50°C

## TÖÖRIISTAL/AKUL OLEVATE SÜMBOLITE SELGITUS

- ③ Enne kasutamist tutvuge kasutusjuhendiga.
- ④ Tulle visatud akud plahvatavad, mistõttu ei tohi akut mitte mingil juhul põletada.
- ⑤ Hoidke tööriista/laadijat/akut kohas, kus temperatuur ei ületa 50 °C.
- ⑥ Ärge visake kasutuskõlbmatuks muutunud elektritööriistu ja akusid ära koos olmejäätmetega.

## KASUTAMINE

- Aku laadimine
  - ! Lugege laadijaga kaasasolevaid ohutusohiatusi ja juhiseid.
- Aku eemaldamine/paigaldamine ②
- Saetera paigaldamine ②
- ! **Eemaldage tööriistalt aku**
  - Võtke kuuskantvõti A hoidikust B välja
  - Vajutage spindlielukustusnuppu C ja hoidke seda all, kuni eemaldade saetera poldi D, keerates kuuskantvõtit A VASTUPÄEVA (= samas suunas nagu näitab

saeterale trükitud nool)

## ! Spindlielukustusnupule C tohib vajutada ainult siis, kui seade ei tööta

- Vabastage spindlielukustusnupp C
- Eemaldage äärik E
- ! Veenduge, et äärikute kinnituspinnad H on täiesti puhtad ja suunatud tera poole
- Avage alumine kaitse F hoova G abil ja hoidke seda avatuna; samal ajal paigutage saeketas, jälgides, et saeketta hammaste ja kettal oleva noole suund ühtiks alumisel kettakaitisel oleva noole suunaga
- Vabastage alumine kaitse F
- Paigaldusäärik E
- Vajutage spindlielukustusnupule C ja hoidke seda all, samal ajal pingutage ketta polti kuuskantvõtmega 1/8 pöörde ulatuses (tagab saeketta libisemise kokkupuutel suure takistusega, vähendades mootori ülekoormust ja sae tagasilööki)
- Vabastage spindlielukustusnupp C
- Lõikesügavuse reguleerimine (0–66 mm) ⑦
  - Optimaalse lõikekvaliteedi tagamiseks ei tohiks saeketas ulatuda tooriku alt välja rohkem kui 3 mm
  - Vabastage nuppu J
  - Tõstke/langetage alusplaati K, kuni soovitud lõikesügavus on indikaatori L abil skaalal seatud
  - Pingutage nuppu J
- Aku laetusastme indikaator ⑧
  - Vajutage aku laetusastme indikaatori nuppu AC, et näha aku laetusastet ⑧a antud hetkel
  - ! **Kui aku indikaatori kõige madalama astme tuli hakkab pärast nupule AC ⑧b vajutamist vilkuma, on aku tühi**
  - ! **Kui aku indikaatori kahe astme tuled hakkavad pärast nupule AC ⑧c vajutamist vilkuma, ei ole aku lubatud töötemperatuuri vahemikus**
- LED-märgutuli ⑨ V
  - LED-tuli süttib automaatselt toitelüliti (On/Off) aktiveerimisel
  - ! **Kui LED-märgutuli hakkab vilkuma, on aku kaitse rakendatud (vt allpool)**
- Aku kaitse
  - Tööriist lülitatakse järsku välja või selle sisselülitamine ei ole võimalik, kui
  - **koormus on liiga suur** --> eemaldage koormus ja taaskäivitage;
  - **aku temperatuur ei ole lubatud töötemperatuuri vahemikus -20 kuni +50 °C** --> aku laetusastme indikaatori kahe astme tuled hakkavad pärast nupule AC ⑧c vajutamist vilkuma; oodake, kuni aku temperatuur on taas lubatud töötemperatuuri vahemikus
  - **aku on peaaegu tühi (et kaitsta ülemäärase tühjenemise eest)** --> madal akutase või vilkuv madal akutase ⑧b kuvatakse aku laetusastme indikaatoril, vajutades nupule AC; laadige akut
  - ! **ärge vajutage enam lülile (sisse/välja), kui tööriist on end automaatselt välja lülitanud, sest see võib akut kahjustada.**
- Lõikenurga reguleerimine (0–56°) ⑨
  - Lõdvendage hooba M
  - Kallutage tööriista, kuni soovitud lõikenurk on indikaatori N abil skaalal seatud
  - 45° kaldenurga stopper P võimaldab 45° nurga kiiret

- seadistamist
- 45°-st suurema kaldenurga seadmiseks pöörake kaldenurga stopperit P 45°, et see indikaatori N juurest eemaldada.
- Pingutage hooba M
- ! **Kaldlõike puhul ei vasta lõikesügavuse skaalal näidatud väärtus tegelikule lõikesügavusele**
- Juhtkiil Q <sup>10</sup>
  - tööriista täpseks juhtimiseks mõõda töödeldavale esemele märgitud lõikejoont
  - 0° all tehtava otselõike või 45° all tehtava kaldlõike puhul kasutage vastavaid näitjooni
  - ! **Suurem osa alusplaadist peaks asuma töödeldava eseme toetatud osal**
  - ! **Lõikelaiuse määrab saehammaste laius, aga mitte saeketta paksus**
  - ! **Tehke alati kõigepealt proovilõige, et kontrollida tegelikku lõikejoont**
- Tolmu eemaldamine <sup>11</sup>
  - Kinnitage tolmuimeja adapter R sae külge ristpeakruviga Tolmuimeja kasutamisel
  - Ühendage tolmuimeja voolik tolmuimeja adapteriga R
  - ! **Jälgige, et tolmuimeja voolik ei tõkestaks kunagi alumise kaitsme funktsioneerimist ega takistaks saagimistööd**
  - Tolmukott
  - paigaldada tolmuikott AD
- Seadme kasutamine
  - patarei paigaldamine
  - hoidke käepidet S alati kindlalt ühe käega ja käepidet T kindlalt teise käega
  - asetage tööriist alusplaadi esiservaga tasaselt toorikule
  - ! **Veenduge, et saeketta hambad ei ole toorikusse haakunud**
  - lülitage tööriist sisse, vajutades esmalt turvalülitit W ja seejärel tömmates päästiklülitit Y
  - ! **Enne saeketta viimist töödeldavasse materjali peab saag saavutama täiskiruse**
  - Alumine kaitse F avaneb automaatselt, kui saeketas viiakse töödeldavasse materjali (avage alumine kettakaitse käsitsi ainult eriliste lõigete nagu sukelduslõigete/süvislõigete korral; selleks kasutage hooba G)
  - ! **Ärge koormake tööriista üle (jälgige, et surve oleks kerge ja pidev, et vältida lõiketera otste ülekuumenemist)**
  - Pärast lõike lõpetamist lülitage tööriist välja, vabastades päästiku Y
  - ! **Enne tööriista eemaldamist toorikust veenduge, et tera on täielikult seiskunud.**

## TÖÖJUHISED

- Asetage tooriku ilusam pool alati allapoole, et vältida pilbastumist.
- Kasutage ainult õiget tüüpi teravaid saeterasid <sup>13</sup>
- Lõikevaliteet paraneb vastavalt hammaste arvule
- Karbiidist otstega terad püsivad teravana kuni 30 korda kauem kui tavalsed terad
- Järkamine/lõhestamine <sup>14</sup>
- Järkamine ja lõhestamine on paralleeljuhikuga Z abil lihtsad.
- joondage juhik 0° asusel oleva lõikejoone indikaatoriga Q

- sisestage paralleeljuhik Z läbi jalgade mõlemas küljes olevate avade soovitud laiuseni ja kinnitage nupuga AA
- ! veenduge, et kelk ei takista alumise kaitse ja saetera vaba liikumist
- Sukelduslõikamine <sup>15</sup>
  - Määrake kindlaks soovitud lõikesügavus
  - Kallutage tööriista ettepoole, nii et juhtkiil Q oleks töödeldavale esemele märgitud lõikejoonega kokakuti
  - Avage alumine kaitse F hooba G abil
  - Veidi enne saeketta sisenemist materjali lülitage tööriist sisse ning langetage aeglaselt tööriista tagumist osa, kasutades toetuspunktina alusplaadi esiserva
  - Langetage tööriista vähehaaval ja lükake samal ajal ettepoole
  - Niipea kui saeketas siseneb materjali, vabastage hoob G
  - ! **Ärge kunagi tömmake tööriista tagasisuunas**
- Suurte plaatide lõikamine <sup>16</sup>
  - toetage plaat lõikejoone lähedalt põrandale, lauale või tööpingile
  - ! **Reguleerige lõikesügavus selliselt, et te saete läbi plaadi, kuid ei kahjusta tugesid**
  - Kui paralleeljuhikuga ei ole võimalik soovitud laiuses saagida, kinnitage toorikule (pitskruidide või naelte abil) sae juhtimist hõlbustav sirge puuliist ning juhtige saagi alusplaadi vasaku äärega mõõda seda juhikut <sup>17</sup>
- Lõikamine juhtsiiniga <sup>18</sup> \*EI SISALDU STANDARDVARUSTUSES
  - Juhtsiinide kasutamine võimaldab täpseid, sirgeid ja veatuud lõikeid, nii 0° kui 45° kalde juures.
  - Enne esimese juhtsiiniga lõikuse tegemist tuleb kummiriba kohandada kasutatavale ketassaagile.
  - sirge 0°-lõike puhul joondage siini 0° kaldkülg AE (või 45° kaldlõikuse puhul 45° kaldkülg) soovitud lõikejoonega, mis on märgitud töödeldavale detailile.
  - kinnitage juhtsiin AE kindlalt detaili külge, kasutades juhtsiiniklambreid AF <sup>18</sup> \*EI SISALDU STANDARDVARUSTUSES
  - libistage saag siinile AE ja keerake juhtpilu reguleerimise nuppe U päripäeva, et vähendada jalas oleva ava ja siinile AE paigutatud kõrgema saki vahelist tühimikku, ning veenduge, et saag saab libiseda siinil vabalt ja külgedele kiikumata.
  - lõikesügavuse seadistamisel ärge unustage arvestada juhtsiini AE paksust
  - juhtige saag ühtlaselt ja aeglaselt etteandega kiirusega läbi siini otsa
- Lisateavet lugege aadressilt [www.skil.com](http://www.skil.com)

## HOOLDUS/TEENINDUS

- Tööriist pole mõeldud professionaalseks kasutamiseks.
- Hoidke tööriist alati puhas!
- enne puhastamist eemaldage tööriistast aku
- Hoidke alati alumise kettakaitse ümbrus F <sup>2</sup> puhtana (eemaldage tolm ja puru suruõhuga puhudes või harjaga)
- Puhastage saeketas kohe pärast kasutamist (eelkõige vaigu- ja liimijääkidest)
- Tööriist on hoolikalt valmistatud ja testitud. Kui tööriist sellest hoolimata rikki läheb, tuleb see lasta parandada SKILI elektriliste käsitööriistade volitatud remonditöökojas.
- toimetage lahtimonteerimata seade koos ostutõendiga tarnijale või lähimasse SKILI lepingulisse tökkotta

(aadressid ja tööriista varuosade joonise leiata aadressilt [www.skil.com](http://www.skil.com)).

- Arvestage sellega, et garantii ei hõlma seadme ülekooormamisest või ebaõigest käsitsemisest tulenevaid kahjustusi (teavet SKILi garantiitingimuste kohta vaadake veebilehelt [www.skil.com](http://www.skil.com) või küsige kohalikul müügiesindajalt)

## KESKKOND

Ainult ELi riikidele

- **Ärge visake kasutuskõlbmatuks muutunud elektritööriistu, lisatarvikuid ja pakendeid ära koos olmejäätmetega**

- Vastavalt Euroopa Parlamendi ja nõukogu direktiivile 2012/19/EÜ elektrija elektronikaseadmete jäätmete kohta ning direktiivi nõuete kohaldamisele liikmesriikides tuleb kasutuskõlbmatuks muutunud elektrilised tööriistad koguda eraldi ja keskkonnasäästlikult korduvkasutada või ringlusse võtta.

- kõrvaldamisvajaduse tekkimisel meenutab seda teile sümbol ⑥.

**! Enne aku kasutusest kõrvaldamist katke selle klemmid tugeva teibiga, et vältida lühise teket.**

## MÜRA / VIBRATSIOON

- Standardi EN 62841 kohaselt mõõdetud tööriista helirõhu tase on 91 dB(A) ja helivõimsuse tase on 102 db(A) (mõõtemääramatus K = 3 dB) ning vibratsioon \* (triaksaalvektorite summa; mõõtemääramatus K = 1,5 m/s<sup>2</sup>) \* puidu löikamisel < 2,5 m/s<sup>2</sup>
  - Tekkiva vibratsiooni tase on mõõdetud vastavalt standardis EN 62841 kirjeldatud standarditule testile; seda võib kasutada tööriistade võrdlemiseks ja tööriista kasutamisel ettenähtud töödeks esineva vibratsiooni esialgseks hindamiseks
    - Tööriista kasutamisel muudeks rakendusteks või teiste / halvasti hooldatud tarvikute kasutamisel võib vibratsioon märkimisväärselt suureneda.
    - Ajal, kui tööriist on väljalülitatud või on küll sisselülitatud, kuid tegelikult seda ei kasutata, võib vibratsioon märkimisväärselt väheneda.
- ! Enda kaitsmiseks vibratsiooni eest hooldage tööriista ja selle tarvikuid korralikult, hoidke oma käed soojad ja tagage sujuv töökorraldus.**

LV

## Bezkontaktu bezvadu ripzāģis

3571

## IEVADS

- Šis instruments ir paredzēts garenvirziena un šķērsvirziena kokmateriālu zāģēšanai taisnā līnijā, kā arī zāģēšanai lenķī līdz 56°.
- Šis instruments nav paredzēts profesionālai lietošanai.
- Izlasiet un saglabājiet šo pamācību ③

## TEHNISKIE DATI ①

## INSTRUMENTA ELEMENTI ②

- A Seštūra stienātslēģa
- B B Nodalījums seštūra stienātslēģas glabāšanai
- C C Darbvārpstas fiksācijas poga
- D D Ripzāģa bultskrūve
- E E Atloks
- F F Apakšējais aizsargs
- G G Svira apakšējā aizsarga atvēršanai
- H H Noturvirsma
- J J Poga zāģēšanas dziļuma iestatīšanai
- K K Pamatnes plāksne
- L L Zāģēšanas dziļuma indikators
- M M Zāģēšanas lenķa regulēšanas svira
- N N Zāģēšanas lenķa indikators
- P P 45° noslīpinājuma apture
- Q Q Zāģējuma līnijas indikators
- R R Putekļsūcēja adapters
- S S Aizmugurējais rokturis
- T T Priekšējais rokturis
- U U Vadotnes rievās regulēšanas pogas
- V V LED gaisma
- W W Drošības slēdzis
- X X Vadotnes rieva
- Y Y Ieslēgšanas slēdzis
- Z Z Paralēlā vadotne
- AA AA Paralēlās vadotnes regulēšanas poga
- AB AB Āķis
- AC AC Akumulatora uzlādes statusa indikators
- AD AD Putekļu maisiņš\*
- AE AE Vadotnes sliede\*
- AF AF Vadotnes sliedes skava\*

\* NAV STANDARTA KOMPLEKTĀCIJĀ

## DROŠĪBA

### VISPĀRĒJIE ELEKTROINSTRUMENTA DROŠĪBAS BRĪDINĀJUMI

**⚠ BRĪDINĀJUMS!** Izlasiet visus ar šo elektroinstrumentu saistītos drošības brīdinājumus, norādījumus, specifikācijas un aplūkojiet attēlus. Visu turpmāk uzskaitīto norādījumu neievērošana var izraisīt elektriskās strāvas triecienu, aizdegšanos un/vai nopietnas traumas.

### Saglabājiet visus brīdinājumus un instrukcijas turpmākai atsaucēi.

Brīdinājumos lietotais termins „elektroinstruments” attiecas uz elektriski darbināmu instrumentu, kura barošanu nodrošina elektrotīkls (ar elektrokabeļi) vai akumulators (bez elektrokabeļa).

#### 1) DARBA ZONAS DROŠĪBA

- a) **Uzturiet darba zonu tīru un labi apgaismotu.** Nesakārtotā un slikti apgaismotā darba zonā var notikt nelaimes gadījumi.
- b) **Nedarbiniet elektroinstrumentu sprādzienbīstamā vidē, piemēram, viegli uzliesmojošu šķidrums, gāzu vai putekļu klātbūtnē.** Elektroinstrumenti rada dzirksteles, kas var aizdedzināt putekļus vai izgarojumu tvaikus.
- c) **Neļaujiet bērniem un klātesošajiem atrasties elektroinstrumenta tuvumā, kamēr tas darbojas.** Apjukuma brīdī jūs varat zaudēt vadību pār ierīci.

## 2) ELEKTRODROŠĪBA

- a) **Elektroinstrumenta kontaktdakšai jāsakrīt ar kontaktrozeti. Nekad nekādā veidā nepārveidojiet kontaktdakšu. Neizmantojiet adaptera kontaktdakšas kopā ar izemētiem elektroinstrumentiem.** Lietojot nepārveidotas kontaktdakšas un atbilstošas kontaktlīdzdas tiek samazināts elektriskās strāvas trieciena risks.
  - b) **Nepieskarieties sazmētām virsmām, piemēram caurulvadiem, radiatoriem, plītiem un ledusskapjiem.** Sazemējoties Jūs palielināt elektriskās strāvas trieciena risku.
  - c) **Sargājiet elektroinstrumentus no lietus vai mitruma.** Mitruma iekļūšana elektroinstrumentā palielina elektriskās strāvas trieciena risku.
  - d) **Nebojājiet strāvas vadu. Nekad nelietojiet strāvas vadu elektroinstrumenta pārnēsāšanai, vilkšanai vai kontaktdakšas izvilknāšanai no kontaktrozetes.** Sargājiet strāvas vadu no karstuma, eļļas, asām malām vai kustīgām daļām. Bojāti vai samudžināti strāvas vadi palielina risku saņemt elektriskās strāvas triecienu.
  - e) **Strādājot ar elektroinstrumentu ārpus telpām, nodrošiniet, lai arī izmantotie vadu pagarinātāji būtu piemēroti āra darbiem.** Āra darbiem paredzēta vadu pagarinātāja izmantošana samazina elektriskās strāvas trieciena risku.
  - f) **Ja nav iespējams izvairīties no elektroinstrumenta darbināšanas mitrā vietā, izmantojiet barošanas sistēmu, kas aizsargāta ar noplūdes strāvas aizsardzības ierīcēm (RCD).** Noplūdes strāvas aizsardzības ierīču izmantošana samazina elektriskās strāvas trieciena risku.
- ## 3) PERSONĪGĀ DROŠĪBA
- a) **Darbinot elektroinstrumentu, esiet modri, pievērsiet uzmanību tam, ko jūs darāt, un rīkojieties ar to saprātīgi. Nelietojiet elektroinstrumentu, ja esat noguruši vai atrodaties apreibinošu vielu, alkohola vai medikamentu ietekmē.** Pat viens mirklis neuzmanības elektroinstrumenta lietošanas laikā var kļūt par cēloni nopietnām traumām.
  - b) **Izmantojiet individuālos aizsarglīdzekļus. Vienmēr valkājiet acu aizsarglīdzekļus.** Ja tiek lietots darba specifikai atbilstošs aizsargaprīkojums, piemēram, maska ar putekļu filtru, neslīdošs darba apavi, ķiveres vai austiņas, samazinās traumu gūšanas risks.
  - c) **Novērsiet nejaušas ieslēgšanās iespējamību. Pirms instrumenta pievienošanas strāvas avotam un/vai akumulatoru blokam pārlicinieties, vai slēdzis atrodas izslēgtā stāvoklī.** Parnēsājot elektroinstrumentu ar pirkstu uz slēdža vai iedarbinot elektroinstrumentu, kas jau ir ieslēgtā stāvoklī, var notikt nelaimes gadījums.
  - d) **Pirms elektroinstrumenta ieslēgšanas izņemiet visas noregulēšanas vai uzgriežņu atslēgas.** Regulēšanas instruments vai atslēga, kas palikusi elektroinstrumenta rotējošās daļās, var izraisīt traumas.
  - e) **Nepārvērtējiet savas spējas. Ieņemiet pareizu stāju un vienmēr saglabājiet līdzsvaru.** Tādējādi jūs varēsiet labāk apvaldīt elektroinstrumentu negaidītās situācijās.
  - f) **Valkājiet atbilstošu apģērbu. Nevalkājiet vaļīgu apģērbu vai rotaslietas. Sargājiet matus, apģērbu un cimdus no kustīgajām daļām.** Vaļīgs apģērbis, rotaslietas vai gari mati var iekerties instrumenta

kustīgajās daļās.

- g) **Ja iekārtas ir paredzētas savienošanai ar putekļu nosūkšanas un savākšanas iekārtām, pārlicinieties, vai tās ir pieslēgtas un tiek izmantotas pareizi.** Putekļu savākšanas ierīču izmantošana var samazināt ar putekļiem saistītos apdraudējumus.
  - h) **Nepieļaujiet, ka iekārtas bieža lietošana varētu izraisīt nevērīgu attieksmi darbā ar to, un neignorējiet ar iekārtas lietošanu saistītos drošības principus.** Viens brīdis neuzmanības var izraisīt nopietnas traumas.
- ## 4) ELEKTROINSTRUMENTA LIETOŠANA UN APKOPE
- a) **Nespiediet elektroinstrumentu ar spēku. Lietojiet attiecīgajam darbam piemērotāko elektroinstrumentu.** Piemērots elektroinstrumenti labāk un drošāk spēs izpildīt veicamo darbu, darbojoties tām paredzētajā ātrumā.
  - b) **Nelietojiet elektroinstrumentu, ja to nav iespējams ieslēgt un izslēgt ar slēdzi.** Ja elektroinstrumentu nav iespējams ieslēgt un izslēgt ar slēdzi, tas ir bīstams, tāpēc nekavējoties jāsalabo.
  - c) **Pirms jebkādu pielāgojumu veikšanas, piederumu maiņas vai elektroinstrumenta novietošanas glabāšanai atvienojiet kontaktdakšu no barošanas avota un/vai izņemiet no elektroinstrumenta akumulatora bloku, ja to var izdarīt.** Šādi piesardzības pasākumi palīdzēs novērst nejašu elektroinstrumenta ieslēgšanu.
  - d) **Ja elektroinstrumentu kādu laiku netiek lietoti, uzglabājiet tos bērniem nepieejamā vietā un neļaujiet ar elektroinstrumentu darboties personām, kas instrumentu nepārzina vai nav izlasījušas šīs instrukcijas.** Nemākulīgās rokās nonākuši elektroinstrumenti ir potenciāls briesmu avots.
  - e) **Veiciet elektroinstrumentiem un piederumiem apkopi. Pārbaudiet, vai ir pareizi uzstādītas kustīgās daļas un vai tās neķeras, un vai elektroinstrumenta daļām nav bojājumu, kas var negatīvi ietekmēt tā darbību.** Bojāts elektroinstrumenti ir jāsalabo pirms nākamās lietošanas reizes. Daudzu negadījumu cēloņi ir sliktā stāvoklī esošu elektroinstrumentu izmantošana.
  - f) **Griezējinstrumentiem jābūt asiem un tīriem.** Rūpīgi kopti griezējinstrumenti retāk iestrēgst un ir vieglāk vadāmi.
  - g) **Lietojiet elektroinstrumentu, tā piederumus un maināmos instrumentus, kā arī citus saistītos elementus atbilstoši šiem norādījumiem, ņemot vērā darba apstākļus un veicamo uzdevumu.** Elektroinstrumenta lietošana neparedzētiem mērķiem var radīt bīstamu situāciju.
  - h) **Rokturiem un satveršanas daļām jābūt sausiem, tīriem un uz tiem nedrīkst būt eļļa vai smērviela.** Ja rokturi un satveršanas daļas ir mitras, tās slīdēs, un ar instrumentu vairs nebūs droši strādāt, kā arī apvaldīt neparedzētu apstākļu gadījumos.
- ## 5) AKUMULATORA LIETOŠANA UN APKOPE
- a) **Uzklājiet instrumentu tikai ar ražotāja noteikto lādētāju.** Lādētājs, kas paredzēts lietošanai tikai ar viena veida akumulatoru bloku, var radīt aizdegšanās draudus, ja to izmanto kopā ar citu akumulatoru bloku.
  - b) **Lietojiet elektroinstrumentus kopā tikai ar tiem**

**paredzētiem akumulatoru blokiem.** Jebkura cita akumulatoru bloka lietošana var radīt traumu gūšanas un aizdegšanās risku.

- c) **Kad akumulatoru bloks netiek izmantots, neglabājiet to citu metāla priekšmetu, piemēram, papīra saspraūžu, monētu, atslēgu, naglu, skrūvju vai citu sīku metāla priekšmetu, kas var veidot savienojumu starp spailēm, tuvumā.** Akumulatora spaiļu isslēgums var izraisīt aizdegšanos vai ugunsgrēku.
- d) **Nepareizas rīcības gadījumā no akumulatora var iztecēt šķidrums; izvairieties no saskares ar to. Ja tas nejauši nokļuvis uz ādas, noskalojiet ar ūdeni.** Ja šķidrums iekļuvis acīs, nekavējoties meklējiet medicīnisko palīdzību. No akumulatora izkļušais šķidrums var izraisīt kairinājumu vai apdegumus.
- e) **Nelietojiet bojātu vai pārveidotu akumulatoru bloku vai instrumentu.** Bojātu vai pārveidotu akumulatoru izmantošana var izraisīt neparedzamus apstākļus, kas rada aizdegšanās, sprādziena vai traumas gūšanas draudus.
- f) **Nepakļaujiet akumulatoru bloku vai iekārtu uguns liesmu vai pārmērīgas temperatūras iedarbībai.** Uguns liesmu iedarbība vai temperatūra virs 130 °C var izraisīt sprādzienu.
- g) **Izpildiet visas uzlādēšanas instrukcijas un neuzlādējiet akumulatoru bloku vai instrumentu ārpus instrukcijās norādītajām temperatūras vērtībām.** Ja iekārta tiek uzlādēta nepareizi vai tiek pārsniegtas instrukcijās norādītās uzlādēšanas temperatūras vērtības, akumulators var sabojāties un palielināt aizdegšanās risku.

## 6) SERVISS

- a) **Elektroinstrumenta remontdarbus drīkst veikt tikai kvalificēts speciālists, izmantojot tikai oriģinālās rezerves daļas.** Tādējādi tiks garantēts elektroinstrumenta lietošanas drošums.
- b) **Nekad neveiciet bojātām akumulatoru blokam remontdarbus pašrocīgi.** Bojātā akumulatoru bloka remontdarbus drīkst veikt tikai ražotājs vai pilnvarotā servisa darbinieki.

## DROŠĪBAS BRĪDINĀJUMI, KAS JĀIEVĒRO, STRĀDĀJOT AR RIPZĀGI

### 1) IZCIRŠANAS PROCEDŪRAS

- a) **⚠ BĪSTAMI!** Turiet rokas drošā attālumā no zāga darbības zonas un zāgripas. Otru roku novietojiet uz instrumenta palīgroktura vai motora korpusa. Turot ripzāģi ar abām rokām, pasargāties tās no zāgripas radītiem savainojumiem.
- b) **Nepieskarieties ar rokām apstrādājamā materiāla apakšējai daļai.** Zāga aizsargs nevar nodrošināt aizsardzību no zāgripas radītiem savainojumiem apstrādājamā materiāla apakšpusē.
- c) **Noregulējiet zāgēšanas dziļumu atbilstoši zāgējamā materiāla biežumam.** Apstrādājamā materiāla apakšpusē redzamās zāgripas zobu daļas augstumam jābūt mazākam par pilnu ripas zobu augstumu.
- d) **Neturiet sagatavi rokās un neatbalstiet to pret kāju.** Nostipriniet apstrādājamo materiālu uz stabilas platformas. Lai mazinātu savainojumu gūšanas risku, zāgripas iestrēgšanu, kā arī lai nezaudētu vadību pār

instrumentu, ir svarīgi pareizi atbalstīt apstrādājamo materiālu.

- e) **Ja darbinstruments var skart slēptu elektropārvades līniju vai instrumenta elektrokabeli, darba laikā turiet elektroinstrumentu aiz izolētajiem rokturiem** (pieskaroties spriegumnesošam elektrotīkla vadam, spriegums nonāk arī uz elektroinstrumenta metāla daļām un var būt par cēloni elektriskajam triecienam)
- f) **Veicot garenzāģēšanu, vienmēr lietojiet paralēlo vadotni vai vadotnes taisno malu kā vadotni.** Tas palielina zāgēšanas precizitāti un samazina zāgripas iestrēgšanas iespējamību.
- g) **Vienmēr lietojiet zāgripas ar pareizu centrālās atveres izmēru un formu (rombeida vai apaļu).** Zāgripas, kuru centrālā atvere neatbilst zāga darbvirspas noturvīrsmai, rotē ekscentriski, traucējot instrumenta normālu vadību.
- h) **Nekad neizmantojiet nolietotas vai bojātas zāgripu starplikas vai bultskrūves.** Ripu starplikas un bultskrūves ir speciāli paredzētas konkrētā zāga ripām, lai nodrošinātu optimālu darba kvalitāti un drošību.

### 2) ATSITIENA CĒLOŅI UN AR TO SAISTĪTIE BRĪDINĀJUMI

- Atsitiens ir pēkšņa zāga reakcija uz iesprūdušu vai aizķērušos asmeni apstrādājamajā materiālā vai novirzītos no zāgējuma līnijas, izraisot nekontrolētu zāga pacelšanos no zāgējamā materiāla virzienā pret operatoru.
- Ja zāgējuma šķēlumam aizveroties asmens tiek saspīests vai iespiests, tas var apstāties, kā rezultātā zāga motora reakcijas dēļ instruments strauji pārvietojas operatora virzienā.
- Ja ripa zāgējuma šķēlumā sašķiebjas vai novirzās no zāgējuma līnijas, zāgripa aizmugurējās malas zobi var iestrēgt zāgējamā kokmateriāla virskārtā, liekot ripai izrautes no zāgējuma vietas un pārvietoties operatora virzienā
- Atsitiens rodas elektroinstrumenta nepareizas lietošanas un/vai nepareizas darbības vai apstākļu rezultātā, un no tā var izvairīties, veicot piemērotus drošības pasākumus, kā norādīts tālāk.
- a) **Stingri turiet ripzāģi ar abām rokām, satverot to tādā veidā, lai izturētu atsitienu spēka iedarbību.** Tāpat jūs nedrīkstat atrasties uz vienas līnijas ar zāgripu — stāviet vienā vai otrā pusē no zāgripas. Atsitiens var izraisīt zāga atlēkšanu atpakaļ, tomēr operators var pārvaldīt atsitienu spēku, ja norādītie pasākumi tiek veikti pareizi.
- b) **Ja zāgripa iestrēgst vai arī zāgēšana tiek pārtraukta kādu citu iemeslu dēļ, atļaidiet zāga slēdzi un turpiniet turēt instrumentu nekustīgi zāgējamajā materiālā, līdz pilnībā apstājas zāgripa.** Nekādā gadījumā nemēģiniet izņemt zāģi no zāgējamā materiāla un nevelciet zāģi atpakaļ, kamēr zāgripa vēl atrodas kustībā, jo tas var izraisīt atsitienu. Nosakiet zāgripa iestrēgšanas iemeslus un veiciet pasākumus to novēršanai. Neizāģējiet naglas vai skrūves.
- c) **Atkārtoti ieslēdzot zāģi laikā, kad tā ripa atrodas apstrādājamajā materiālā, centieties turēt ripu zāgējuma šķēluma vidū un pārbaudiet, vai tā zobi nav iespiezušies zāgējamajā materiālā.** Ja zāgripa iestrēgst, tad, ieslēdzot ripzāģi, ripa var strauji pārvietoties augšup no apstrādājamā materiāla vai arī radīt atsitienu.



- d) Lai izvairītos no zāgripas iestrēgšanas un atsitiena, zāģējot liela izmēra paneļus, tie ir jāatbalsta. Liela izmēra paneļi zem sava svara mēdz ieliekties. Balsti jānovieto paneļa abos sānos tuvu zāģējuma līnijai un pie paneļa malas.
- e) **Neizmantojiet neasus vai bojātus asmeņus.** Neuzasināti vai nepareizi iestiprināti asmeņi veido šauru zāģējuma šķēlumu, kas var izsaukt pastiprinātu berzi, ripas iestrēgšanu un zāģa atsitieni.
- f) **Pirms zāģēšanas uzsākšanas stingri pievelciet zāģēšanas dziļuma un zāģēšanas leņķa iestādījumu fiksējošās pogas.** Ja zāģēšanas laikā zāgripas stāvokļa iestādījumi izmainās, tas var izraisīt ripas iestrēgšanu un zāģa atsitieni.
- g) **Ievērojiet īpašu piesardzību, veicot zāģēšanu sienās vai citās slēptās virsmās.** Izvirzītā ripa var pārgriezt neredzamus priekšmetus, izraisot zāģa atsitieni.
- 3) APAKŠĒJĀ AIZSARGA FUNKCIJA**
- a) **Katru reizi pirms darba uzsākšanas pārbaudiet, vai zāģa apakšējais aizsargs pareizi aizveras.** Nestrādājiet ar zāģi, ja tā apakšējais aizsargs nespēj brīvi pārvietoties un neaizveras uzreiz. Nemēģiniet nofiksēt zāģa apakšējo aizsargu atvērtā stāvoklī. Ja zāģis nejausi nokrīt, apakšējais aizsargs var saliekties. Šādā gadījumā ar speciāla ievelkošā roktura palīdzību paceliet asmens apakšējo aizsargu un pārbaudiet, vai tas spēj brīvi pārvietoties un neskar asmeni vai kādu citu instrumenta daļu; pārbaude jāveic pie visiem zāģēšanas dziļuma un leņķa iestādījumiem.
- b) **Pārbaudiet apakšējā aizsarga atsperes darbību. Ja aizsargs vai tā atspere nedarbojas pareizi, pirms darba uzsākšanas jāveic to apkope.** Zāģa apakšējā aizsarga brīva pārvietošanās var tikt traucēta kāda bojājuma, gumijas nosēdumu vai sakrājušos netīrumu dēļ.
- c) **Apakšējo aizsargu ir pieļaujams atvērt ar roku tikai tad, kad tiek veikti tādi speciālie zāģējumi, kā zāģēšana ar ripas iegremdēšanu vai kombinēto zāģējumu veidošana.** Šādos gadījumos ar ievelkošā roktura palīdzību atveriet ripas apakšējo aizsargu un, ripai ieejot apstrādājamajā materiālā, tūlīt to nolaidiet. Veicot visus pārējos zāģējumus, ripas apakšējam aizsargam jādarbojas automātiski.
- d) **Pirms zāģa novietošanas uz darbgalda vai grīdas raugiet, lai asmens aizsargs nosēgtu asmeni. Nenosegta ripa, kas pēc inerces vēl rotē, var likt zāģim pārvietoties atpakaļvirzienā, sagriežot visu, kas gadās tam ceļā.** Neaizmirstiet, ka pēc slēdža atlaišanas zāģripa vēl kādu laiku turpina rotēt.

## PAPILDU DROŠĪBAS NOTEIKUMI

### VISPĀRĒJĀ INFORMĀCIJA

- Šo instrumentu nedrīkst izmantot personas, kas jaunākas par 16 gadiem
- Šis ripzāģis nav paredzēts mitru priekšmetu zāģēšanai
- **Neapstrādājiet materiālus, kas satur azbestu** (azbestam piemīt kancerogēnas īpašības)
- Materiāla, piemēram svīnu saturošas krāsas, dažu koka šķirņu, minerālu un metāla, putekļi var būt kaitīgi (saskare ar putekļiem vai to ieelpošana var izraisīt alerģiskas reakcijas un/vai elpošanas ceļu saslimšanas operatoram vai klātesošajiem); **izmantojiet putekļu masku un**

### puteķ[sūcēju, ja to iespējams pievienot

- Dažu veidu putekļi ir klasificēti kā kancerogēni (piemēram, ozola vai dižskābarža putekļi), jo īpaši apvienojumā ar koksnes kondicionēšanas piedevām; **izmantojiet putekļu masku un puteķ[sūcēju, ja to iespējams pievienot**
- Ievērojiet ar putekļu savākšanu saistītos nacionālos noteikumus, kas attiecas uz apstrādājamajiem materiāliem
- Neizmantojiet šo zāģi kopā ar zāģēšanas galdu
- Pirms instrumenta regulēšanas vai piederumu nomaiņas izņemiet no instrumenta akumulatoru

### PIEDERUMI

- Firma SKIL garantē instrumenta nevainojamu darbību tikai tad, ja tiek lietoti oriģinālie papildpiederumi
- Izmantojiet tikai tādas zāģes asmeņus, kas atbilst šajā lietošanas instrukcijā norādītajiem īpašību datiem un ir pārbaudīti un marķēti saskaņā ar EN 847-1 standartu
- Lietojiet tikai tādas darbinstrumentus, kuru pieļaujamais darbības ātrums ir vismaz tikpat liels, kā instrumenta maksimālais brīvgaitas ātrums
- Izmantojiet tikai tādas zāgripas, kuru minimālais diametrs ir 184 mm, bet maksimālais — 184 mm un darbvārpstas atvere ir 16 mm
- Neizmantojiet zāgripas, kas izgatavotas no augstas kvalitātes ātrgriešanas tērauda (HSS)
- Nekad neizmantojiet šim instrumentam slīpripas vai griezējripas

### PIRMS DARBA UZSĀKŠANAS

- Izvairieties no instrumenta bojājumiem, ko var radīt apstrādājamajā priekšmetā esošās skrūves, naglas vai citi līdzīgi objekti; pirms darba uzsākšanas atbrīvojiet apstrādājamo materiālu no šādiem priekšmetiem
- Pirms zāģēšanas nodrošiniet, lai zāģējuma trase no abām zāģējamā priekšmeta pusēm tiktu atbrīvota no jebkāda veida šķēršļiem
- **Nostipriniet apstrādājamo detaļu** (to ir drošāk nostiprināt ar spailēm vai skrūvspilēm, nevis turēt rokā)
- **Ar piemērota metālmeklētāja palīdzību pārbaudiet, vai apstrādes vietu nešķērso slēptas elektropārvades līnijas, kā arī gāzes vai ūdens caurules; šaubu gadījumā griezieties vietējā komunālās saimniecības iestādē** (darbinstrumentam skarot elektrotīkla fāzes līniju, var izcelties ugunsgrēks un strādājošais var saņemt elektrisko triecienu; gāzes vada bojājumus var izraisīt sprādzieni; darbinstrumentam skarot ūdensvada cauruli, var tikt bojātas materiālās vērtības un strādājošais var saņemt elektrisko triecienu)

### DARBA LAIKĀ

- Darba laikā instrumenta radītā trokšņa līmenis var pārsniegt 85 dB(A); lietojiet ausu aizsargus
- Nelietojiet ripzāģi, ja uz tā nav nostiprināti visi paredzētie ripas aizsargi
- Nezāģējiet ļoti mazus priekšmetus
- Nestrādājiet ar ripzāģi, turot to virs galvas
- Iestrēgšanas, kā arī elektriska vai mehāniska rakstura kļūmes gadījumā nekavējoties izslēdziet instrumentu un izņemiet akumulatoru

### PĒC DARBA PABEIGŠANAS

- Pirms instrumenta novietošanas izslēdziet tā elektrodziņņu un nogaidiet, līdz ir pilnīgi apstājušās visas instrumenta kustīgās daļas
- Pēc ripzāģa izslēgšanas nemēģiniet nobremzēt zāgripu, izdarot uz to spiedienu sānu virzienā

### AKUMULATORI

- **Komplektā iekļautais akumulators ir daļēji uzlādēts**

(lai nodrošinātu pilnu akumulatora jaudu, pirms elektroinstrumenta pirmās izmantošanas reizes uzlādējiet to pilnībā, izmantojot uzlādes ierīci)

• **Izmantojiet tikai instrumenta piegādes komplektā ietilpstošos akumulatorus un uzlādes ierīces**

- SKIL akumulators: BR1\*31\*\*\*\*
- SKIL lādētājs: CR1\*31\*\*\*\*

• Nelietojiet bojātu akumulatoru; tas nekavējoties jānomaina.

• Neizjauciet akumulatoru.

• Neatstājiet instrumentu/akumulatoru lietū.

• Atļautā apkārtējās vides temperatūra (instruments/lādētājs/akumulators):

- uzlādes laikā 4...+40 °C
- darba laikā -20...+50 °C
- uzglabāšanas laikā -20...+50 °C

**UZ INSTRUMENTA/AKUMULATORA ATTĒLOTO SIMBOLU SKAIDROJUMS**

③ Pirms ekspluatācijas izlasiet instrukciju rokasgrāmatu

④ Ja akumulators tiks dedzināts, tas eksplodēs, tāpēc nekādā gadījumā to nededziniet

⑤ Uzglabājiet instrumentu/lādētāju/akumulatoru vietā, kur temperatūra nepārsniedz 50 °C

⑥ Neizmētiel elektroiekārtas un baterijas kopā ar sadzīves atkritumiem

## LIETOŠANA

• Akumulatora uzlāde

**! izlasiet lādētāja komplektā iekļautos drošas lietošanas noteikumus un norādījumus**

• Akumulatora izņemšana/ievietošana ②

• Zāģripas uzstādīšana ②

**! izņemiet no instrumenta akumulatoru**

- paņemiet no glabātuves B sešstūra atslēgu
- nospiediet darbvārpstas bloķēšanas pogu C un pieturiet, kamēr izskrūvējiet ripas bultskrūvi D, pagriežot sešstūra atslēgu PULKSTENRĀDĪTĀJA KUSTĪBAS VIRZIENĀ (= tajā pašā virzienā, kurā uz zāģripas ir uzdrukāta bultiņa)

**! nospiediet darbvārpstas bloķēšanas pogu C tikai tad, kad instruments ir apstājies**

- atlaidiet darbvārpstas bloķēšanas pogu C
- noņemiet atloku E

**! pārliecinieties, vai atloku piespiešanas virsmas H ir pilnībā tīras un ir vērstas pret ripu**

- izmantojot sviru G, atveriet apakšējo ripas aizsargu F un, noturot to atvērto, uzstādiel zāģripu, sekojot, lai zāģripas zobu vērsums un uz zāģripas attēlotās bultas virziens sakristu ar bultas virzienu, kas attēlota uz ripzāģa ripas apakšējā aizsarga

- atlaidiet apakšējo aizsargu F

- uzstādiel atloku E

- nospiediet darbvārpstas bloķēšanas pogu C un pieturiet ripas skrūves pievilšanas laikā, pagriežot ar pirkstiem sešstūra atslēgu par 1/8 apgriezieni (nodrošina zāģripas buksēšanu pārmērīgas pretestības gadījumā, tādējādi samazinot motora pārslodzi un zāģa atsitieni)

- atlaidiet darbvārpstas bloķēšanas pogu C

• Zāģēšanas dziļuma regulēšana (0 līdz 66 mm) ⑦

- lai nodrošinātu optimālu apstrādes kvalitāti, ripa nedrīkst iziet caur zāģējamā priekšmetu vairāk, kā par 3 mm

- nedaudz atskrūvējiet skrūvi U

- paceliet/nolaidiet kāju K līdz vēlamajam zāģēšanas dziļumam atbilstoši indikatora L rādījumiem uz skalas
- pieskrūvējiet skrūvi J

• Akumulatora uzlādes statusa indikators ⑧

- lai noskaidrotu akumulatora uzlādes līmeni ⑧a, nospiediet akumulatora līmeņa rādītāja pogu AC

**! ja pēc pogas AC ⑧b pogas nospiešanas sāk mirgot akumulatora indikators apakšējais līmenis, tas nozīmē, ka akumulators ir tukšs**

**! ja pēc pogas AC ⑧c nospiešanas sāk mirgot 2 akumulatora indikatora līmeņi, tas nozīmē, ka akumulators neatrodas pieļaujamajā darba temperatūras diapazonā**

• LED gaisma ⑩ V

- ieslēdzot ieslēgšanas/izslēgšanas slēdzi, automātiski iedegas LED gaisma

**! LED gaismai sākot mirgot, tiek aktivizēta akumulatora aizsardzība (skatīt zemāk)**

• Akumulatora aizsardzība

- Instruments tiek tūlīt izslēgts vai arī to nav iespējams ieslēgt, ja

- **slodze ir pārāk liela** --> samaziniet slodzi un

- ieslēdziet to no jauna

- **akumulatora temperatūra ir ārpus atļautā darba diapazona no -20 līdz +50 °C** --> nospiežot pogu AC ⑧c, sāk mirgot akumulatora 2 līmeņu rādītāja iedaļas; pagaidiet, līdz akumulatora temperatūra atkal ir atļautajā darba diapazonā

- **akumulators ir gandrīz tukšs (aizsardzībai pret pilnīgu izlādi)** --> nospiežot pogu AC, akumulatora līmeņa rādītājā ir attēlota zemākā akumulatora līmeņa rādītāja iedaļa vai mirgojoša zemākā akumulatora līmeņa rādītāja iedaļa ⑧b; uzlādējiet akumulatoru

**! pēc instrumenta automātiskas izslēgšanas nedrīkst spiest ieslēgšanas un izslēgšanas slēdzi, jo tā var sabojāt akumulatoru**

• Zāģēšanas leņķa regulēšana (0° līdz 56°) ⑨

- atskrūvējiet sviru M

- nolieciet instrumentu sānu virzienā, uzstādiel vēlamo zāģēšanas leņķi atbilstoši indikatora N rādījumiem uz skalas

- 45° noslīpinājuma atdure P piedāvā ātru 45°

- noslīpinājuma leņķa iestatīšanu

- lai iestatītu slīpuma leņķi, kas lielāks par 45°, pagrieziet 45° noslīpinājuma atduri P, lai to izņemtu no indikatora N

- pieskrūvējiet sviru M

**! veidojot slīpos zāģējumus, zāģēšanas dziļums neatbilst uz zāģēšanas dziļuma skalas nolasāmajai vērtībai**

• Zāģējuma līnijas indikators Q ⑩

- kalpo, lai atvieglotu instrumenta vadīšanu pa iepriekš iezīmētu zāģējuma līniju

- veidojot taisnos zāģējumus ar leņķi 0° un slīpos zāģējumus ar leņķi 45°, vadieties pēc atbilstošā zāģējuma līnijas viziera ierobeojuma

**! zāģēšanas laikā ripzāģa pamatnes paplašinātajai daļai jāatrodas uz zāģējamā priekšmeta atbalstītās daļas**

**! zāģējuma platumu nosaka nevis zāģa asmens korpusa biezums, bet gan tā zobu izvērsuma platumu**

**! lai pārbaudītu reālās zāģējuma līnijas atbilstību iepriekš iezīmētajai, pirms darba vienmēr veiciet izmēģinājuma zāģējumus**

• Putekļu uzsūkšana ①

Pieskrūvējiet putekļsūcēja adapteri R pie zāģa ar krustiņgalvas skrūvi

Lai putekļu uzsūšanai izmantotu putekļsūcēju, rīkojieties šādi

- savienojiet putekļsūcēja cauruli ar putekļsūcēja adapteru R

**! darba laikā vadiet ripzāģi tā, lai putekļsūcēja caurule netraucētu apakšējā ripas aizsarga pārvietošanos vai zāģēšanas procesu**

Putekļu maisiņš

- uzstādiēt putekļu maisiņu AD

• Instrumenta darbināšana

- ievietojiet akumulatoru

- vienmēr stingri ar vienu roku satveriet rokturi S un ar otru roku stingri satveriet T

- uzsākot zāģēšanu, novietojiet instrumenta pamatnes priekšējo daļu uz zāģējamā priekšmeta virsmas

**! nodrošiniet, lai pirms ripzāģa ieslēgšanas ripas zobi nepieskartos zāģējamajam priekšmetam**

- ieslēdziet instrumentu, vispirms piespiežot drošības slēdzi W, un tad pavelkot sprūda slēdzi X

**! kontaktējiet instrumenta ripu ar zāģējamo priekšmetu tikai pēc tam, kad tā ripa griešanās ātrums ir sasniedzis nominālo vērtību**

- ripzāģa apakšējais aizsargs F atveras automātiski, ripai ieejot zāģējamajā priekšmetā (apakšējais aizsargs jāatver manuāli ar sviras G palīdzību tikai sevišķos gadījumos, piemēram, veicot zāģēšanu ar ripas iegremdēšanu)

**! nemēģiniet darbinstrumentam piemērot spēku (piemērojiet vieglu un nepārtrauktu spiedienu, lai izvairītos no ripas galu pārkaršanas)**

- pabeidzot zāģēšanu, izslēdziet instrumentu, atlaižot slēdzi Y

**! pirms instrumenta pacelšanas no zāģējamā priekšmeta nogaidiet, līdz tā ripa pilnīgi apstājas**

## PRAKTISKI PADOMI

• Vienmēr pavērsiet sagataves labo pusi uz leju, lai nodrošinātu minimālu šķelšanās iespējamību

• Izmantojiet tikai pareizā tipa uzasinātas zāģripas ⑬

- zāģējuma kvalitāte ir atkarīga no zobu skaita

- ripas ar karbīda galiem salīdzināmā ar parastajām ripām saglabā asumu līdz 30 lietošanas reizēm ilgāk

• Šķērszāģēšana/garenzāģēšana ⑭

Šķērszāģēšanu vai garenzāģēšanu var viegli veikt ar paralēlo Z vadotni.

- salāgojiet vadlīniju ar 0° zāģējuma līnijas indikatoru Q uz kājas

- ievietojiet paralēlu vadotni Z caur spraugām abās pēdas pusēs līdz vēlamajam platumam un nostipriniet ar pogu AA

**! barjera nedrīkst traucēt apakšējā aizsarga un zāģa asmens brīvu kustību**

• Zāģēšana ar iegremdēšanu ⑮

- uzstādiēt vēlamo zāģēšanas dziļumu

- nolieciet instrumentu uz priekšu, zāģējuma līnijas indikatoram Q jāatbilst uz detaļas atzīmētajai vēlamajai griezuma līnijai

- ar sviru G atveriet apakšējo aizsargu F

- ieslēdziet ripzāģi un tuviniet tā rotējošo ripu zāģējamā priekšmeta virsmai, laižot lejup instrumenta akumulatoru daļu un izmantojot tā priekšējo daļu kā atbalsta punktu

- pakāpeniski iegremdējiet ripzāģa ripu zāģējamajā priekšmetā un vienlaikus sāciet virzīt instrumentu uz priekšu zāģējuma virzienā

- ripzāģa ripai, ieejot apstrādājamajā materiālā, atlaidiet sviru G

**! nekad nevelciet instrumentu atpakaļvirzienā**

• Liela izmēra panelu zāģēšana ⑯

- atbalstiet priekšmetu zāģējuma vietas tuvumā, novietojot to uz grīdas vai darbgalda

**! iestādiēt vēlamo zāģēšanas dziļumu ar tādu aprēķinu, lai ripa izietu cauri zāģējamajam priekšmetam, bet neskartu virsmu, uz kuras balstās apstrādājamais priekšmets**

- ja nepieciešamo griezuma platumu nav iespējams nodrošināt ar paralēlo vadotni, iespējējiet vai pienaglojiet uz zāģējamā priekšmeta virsmas plakanu koka līsti, ko zāģēšanas laikā izmantot kā vadotni, virzot gar to pamatnes kreiso malu ⑰

• Zāģēšana ar vadotni ⑱ \*NAV IEKĻAUTA STANDARTA KOMPLEKTĀ

Vadotnes slīdes izmantošana nodrošina precīzus, taisnus un akurātus griezumus 0° vai 45° slīpumā. Pirms pirmās zāģēšanas reizes ar vadotes slīdi gumijas lūpa ir jāpielāgo izmantotajam ripzāģim.

- taisnā 0° griezuma gadījumā salāgojiet slīdes AE 0° slīpo pusi (vai 45° slīpo pusi, veicot 45° nostiprinājuma griezumus) ar nepieciešamo griezuma līniju, kas atzīmēta uz sagataves

- stingri piestipriniet vadotnes slīdi AE pie sagataves, izmantojot vadotnes slīdes skavas AF ⑲\*NAV IEKĻAUTAS STANDARTA KOMPLEKTĀ

- uzbīdiēt zāģi uz slīdes AE un pagrieziet vadotnes rievas regulēšanas pogas U pulkstenrādītāja virzienā, lai samazinātu atstarpi starp kājas spraugu un slīdes AE pacelto līdēm, un pārliecinieties, vai zāģis var brīvi slīdēt pa slīdēm, nešūpojoties uz sāniem.

- nosakot griešanas dziļumu, neaizmirstiet, ka jāņem vērā vadotnes slīdes biežums AE

- vadiet zāģi vienmērīgi un lēnām caur slīdes galu

• Papildu informāciju skatīt tīmekļa vietnē [www.skil.com](http://www.skil.com)

## APKOPE/SERVISS

• Šis instruments nav paredzēts profesionālai lietošanai.

• Vienmēr uzturiet ierīci tīru!

**! pirms tīrīšanas izņemiet no instrumenta akumulatoru**

• Vienmēr raugiet, lai vieta ap apakšējo aizsargu F ⑲ būtu tīra (savāciet putekļus un skaidas, tos aizpūšot prom ar saspiestu gaisu vai saslaucot ar slotu)

• Pēc ripzāģa lietošanas nekavējoties attīriet tā ripu (īpaši no sveķiem un līmes paliekām)

• Ja, neraugoties uz augsto izgatavošanas kvalitāti un rūpīgu pēcražošanas pārbaudi, instruments tomēr sabojājas, tas jānogādā remontam firmas SKIL pilnvarotā elektroinstrumentu remonta darbnīcā.


- nogādājiet instrumentu neizjauktā veidā kopā ar iegādes dokumentiem tuvākajā tirdzniecības vietā vai firmas SKIL pilnvarotā pēciegādes apkalpošanas

un remonta iestādė (adreses un instrumenta apkalpošanas shėma ir sniegta interneta vietnė www.skil.com)

- levdėroji, ka garantijā neietilpst pārslodzes vai nepareizas instrumenta ekspluatācijas izraisītie bojājumi (SKIL garantijas noteikumus skatiet www.skil.com vai vērsieties pie izplatītāja)

## APKĀRTĒJĀS VIDES AIZSARDZĪBA

Tikai ES valstīm

- Neizmetiet elektriskos instrumentus, piederumus un iesaiņojuma materiālus sadzīves atkritumos
  - saskaņā ar Eiropas Savienības direktīvu 2012/19/ES par nolietotajām elektriskajām un elektroniskajām iekārtām un tās atspoguļojumiem nacionālajā likumdošanā, nolietotās elektroiekārtas ir jāsavāc, jāizjauc un jānogādā atsevišķai pārstrādei apkārtējai videi nekaitīgā veidā
  - simbols  atgādina par nepieciešamību tos likvidēt videi nekaitīgā veidā.
- ! **pirms akumulatora utilizācijas tā kontakti jāaplīmē ar izolācijas lenti, lai nepieļautu īssavienojuma rašanos starp tiem**

## TROKSNIS / VIBRĀCIJA


- Veicot mērījumus atbilstoši EN 62841, šī instrumenta akustiskā spiediena līmenis ir 91 dB(A) un akustiskās jaudas līmenis ir 102 dB(A) (nenoteiktība K = 3 dB), bet vibrācija\* (triaksiālā vektora summa; nenoteiktība K = 1.5 m/s<sup>2</sup>) \* kokmateriāla zāģēšana < 2,5 m/s<sup>2</sup>
- Vibrācijas līmenis ir noteikts, izmantojot standartā EN 62841 paredzēto procedūru; to var izmantot, lai salīdzinātu instrumentus un provizoriski izvērtētu vibrācijas iedarbību, lietojot instrumentu minētajiem mērķiem
  - instrumenta izmantošana citiem mērķiem vai ar citiem vai nepietiekami koptiem piederumiem var ievērojami palielināt kopējo vibrācijas iedarbības pakāpi
  - laika periodi, kad instruments ir izslēgts vai arī ir ieslēgts, taču darbs ar to nenotiek, var ievērojami samazināt kopējo vibrācijas iedarbības pakāpi, samazinot iedarbības līmeni
- ! **pasargājiet sevi no vibrācijas iedarbības, veicot instrumenta un tā piederumu tehnisko apkopi, novēršot roku atdzišanu un pareizi organizējot darbu**

LT

## Bešepetēlinis belaidis diskinis pjūklas

3571

### ĪVADAS

- Šis įrankis skirtas medienai pjauti išilgai ir skersai tiesiais pjūviais, taip pat pjauti kampū iki 56°.
- Šis įrankis neskirtas naudoti profesionalams.
- Perskaitykite ir išsaugokite šią naudojimo instrukciją .

## TECHNINIAI DUOMENYS

## ĮRANKIO DALYS

- A Šešiabriaunis raktas
  - B Šešiabriaunio rakto laikiklis
  - C Suklio blokavimo mygtukas
  - D Dėvoro varžtas
  - E Jungė
  - F Apatinė apsauga
  - G Apatinės apsaugos atidarymo svirtis
  - H Prispaudimo paviršius
  - J Rankenėlė pjovimo gyliui nustatyti
  - K Atraminė plokštelė
  - L Pjovimo gylio indikatorius
  - M Pjovimo kampo reguliavimo svirtis
  - N Pjovimo kampo indikatorius
  - P 45° nuožambio ribotukas
  - Q Pjūvio žymeklis
  - R Dulkių siurblio prijungimo adapteris
  - S Galinė rankena
  - T Priekinė rankena
  - U Rankenėlės kreipiamajam grioveliui reguliuoti
  - V LED lemputė
  - W Apsauginis jungiklis
  - X Kreipiamasis griovelis
  - Y Pagrindinis jungiklis
  - Z Lygiagreti atrama
  - AA Rankenėlė lygiagrečiai atramai reguliuoti
  - AB Kabliukas
  - AC Baterijos įkrovos indikatorius
  - AD Dulkių maišelis\*
  - AE Kreipiamasis bėgelis\*
  - AF Kreipiamoji bėgelio spaustukas\*
- \* NĖRA STANDARTINIAME KOMPLEKTE

## SAUGA

### BENDRIEJI ĮSPĖJIMAI DĖL DARBO SU ELEKTRINIŲ ĮRANKIŲ SAUGOS

 **ĮSPĖJIMAS: perskaitykite visus su šiuo elektriniu įrankiu pateiktus saugos įspėjimus, instrukcijas ir specifikacijas, peržiūrėkite visus paveikslus.** Nesilaikant visų toliau išdėstytų nurodymų galima patirti elektros smūgį, sukelti gaisrą ir (ar) sunkiai susižaloti.

**Išsaugokite visas instrukcijas su įspėjimais, nes jų gali prireikti ateityje.**

Įspėjimuose vartojamu terminu „elektrinis įrankis“ nurodomas iš elektros lizdo maitinamas (laidinis) arba baterija maitinamas (belaidis) elektrinis įrankis.

### 1) SAUGA DARBO VIETOJE

- Darbo vieta turi būti švari ir gerai apšviesta.** Jei darbo vieta netvarkinga ar blogai apšviesta, gali įvykti nelaimingas atsitikimas.
- Nedirbkite su elektriniu įrankiu sprogioje aplinkoje, pavyzdžiui, ten, kur yra degių skysčių, dujų arba dulkių.** Elektriniai įrankiai gali kibirkščiuoti, o nuo kibirkščių gali užsidegti dulkės arba susikaupę garai.
- Dirbdami su elektriniu įrankiu, neleiskite artintis vaikams ir pašaliniais asmenims.** Dėl dėmesio blaškymo galite nesuvaldyti prietaiso.

### 2) ELEKTROSAUGA

- Elektrinio įrankio kištukas turi tikti elektros lizdui.**

- Niekada ir jokiais būdais nebandykite perdaryti kištuko. Su įžemintais elektriniais įrankiais nenaudokite jokių kištuko adapterių.** Originalūs kištukai, tiksliai tinkantys elektros tinklo lizdai, sumažina elektros smūgio pavojų.
- Nesilieskite prie įžemintų paviršių, pavyzdžiui, vamzdžių, radiatorių, viryklių ir šaldytuvų.** Jei jūsų kūnas bus įžemintas, padidės elektros smūgio pavojus.
  - Saugokite elektrinius įrankius nuo lietaus ir drėgmės.** Į elektrinio įrankio vidų patekus vandeniui padidėja elektros smūgio pavojus.
  - Atsargiai elkitės su maitinimo laidu. Niekada neneškite ir netempkite elektrinio įrankio, laikydami už maitinimo laidu, norėdami ištraukti kištuką iš elektros lizdo.** Saugokite laidą nuo kaitros šaltinių, alyvos, aštrių briaunų ir judančių dalių. Pažeidus arba supainiojus laidus išauga pavojus patirti elektros smūgį.
  - Kai elektriniu įrankiu dirbate lauke, naudokite laukui skirtą laidu ilgintuvą.** Naudojant laukui skirtą maitinimo laidą, sumažėja pavojus patirti elektros smūgį.
  - Jeigu elektrinio įrankio naudojimas drėgnoje vietoje yra neišvengiamas, naudokite maitinimo šaltinį su liekamąja srove valdomo atjungimo įtaisais (RCD).** RCD naudojimas sumažina elektros smūgio pavojų.
- ### 3) ASMENINĖ SAUGA
- Dirbdami su elektriniu įrankiu būkite budrūs, stebėkite, ką darote, ir vadovaukitės sveiką nuovoka.** Nedirbkite su elektriniu įrankiu, jei esate pavargę arba vartojote narkotikus, alkoholį ar medikamentus. Dirbant su elektriniais įrankiais pakanka vienos neatidumo akimirksnio ir galima sunkiai susižaloti.
  - Naudokite asmeninės apsaugos priemones. Visada būkite su apsauginiais akiniais.** Atitinkamomis sąlygomis naudojamos apsaugos priemonės, pvz., respiratorius, neslidūs apsauginiai batai, šalmas arba ausinės, sumažina pavojų susižaloti.
  - Apsisaugokite nuo atsitiktinio prietaiso įjungimo. Prieš jungdami prie maitinimo šaltinio ir (ar) sudėtinės baterijos, prieš įrankį keldami arba nešdami įsitikinkite, kad jungiklis yra išjungimo padėtyje.** Nešant elektrinius įrankius uždėjus pirštą ant jungiklio arba netyčia įjungiant elektrinį įrankį su įjungtu jungikliu, gali įvykti nelaimingas atsitikimas.
  - Prieš įjungdami elektrinį įrankį, patraukite į šalį visus reguliavimo raktus ir veržliarakčius.** Elektrinio įrankio sukamojoje dalyje likus raktui ar veržliarakčiui galima susižaloti.
  - Nesistenkite pasiekti pernelyg toli. Visada stovėkite tvirtai ir išlaikykite pusiausvyrą.** Tuomet geriau suvaldysite elektrinį įrankį netikėtose situacijose.
  - Dėvėkite tinkamus drabužius. Nedėvėkite laisvų drabužių ir nenešiotkite laisvai kabančių papuošalų.** Saugokite savo plaukus ir drabužius nuo judamų dalių. Laisvus drabužius, papuošalus ar ilgus plaukus gali įtraukti judamosios dalys.
  - Jei yra įtaisai, skirti dulkių išsiurbimo ir surinkimo įtaisams prijungti, tinkamai juos prijunkite ir naudokite.** Naudojant dulkių surinkimo įrenginius, gali sumažėti su dulkelėmis susijusių pavojų.
  - Dažnai naudodami įrankius pernelyg savimi nepasitikėkite ir neparaskite budrumo, kad paisytumėte saugaus įrankio naudojimo taisyklių.**
- Užtenka akimirksnio išsiblaškymo, kad dėl neatsargaus veiksmo sunkiai susižalotumėte.
- 4) ELEKTRINIŲ ĮRANKIŲ NAUDOJIMAS IR PRIEŽIŪRA**
    - a) Elektrinio įrankio pernelyg nespauskite. Naudokite jūsų darbui tinkamą elektrinį įrankį.** Veikdamas numatytoju greičiu, tinkamas elektrinis įrankis darba atlieka veiksmingiau ir saugiau.
    - b) Nenaudokite elektrinio įrankio, jeigu jo negalima įjungti ar išjungti jungikliu.** Bet koks elektrinis įrankis, kurio jungiklis neveikia, yra pavojingas, tad jį būtina sutaisyti.
    - c) Prieš reguliuodami elektrinį įrankį, keisdami jo priedus arba padėdami jį į laikymo vietą, atjunkite kištuką nuo maitinimo šaltinio ir (ar) sudėtinę bateriją nuo įrankio.** Ši saugumo priemonė apsaugos jus nuo netyčinio elektrinio įrankio įjungimo.
    - d) Nenaudojamus elektrinius įrankius laikykite vaikams neprieinamoje vietoje. Su elektriniu įrankiu neleiskite dirbti asmenims, nesusipažinusiems su įrankiu arba šia instrukcija.** Neapmokytų naudotojų naudojami elektriniai įrankiai kelia pavojų.
    - e) Tinkamai prižiūrėkite elektrinius įrankius ir jų priedus.** Tikrinkite, ar sukamos jų dalys išcentruotos ir nesringa, ar nėra sulūžusių dalių ir kitų sąlygų, galinčių turėti įtakos elektrinio įrankio veikimui. Jei elektrinis įrankis sugedęs, prieš naudodami jį suremontuokite. Daugelio nelaimingų atsitikimų priežastis yra netinkama elektrinių įrankių priežiūra.
    - f) Pjovimo įrankiai turi būti aštrūs ir švarūs.** Tinkamai prižiūrimi pjovimo įrankiai aštriais asmenimis rečiau stringa ir lengviau valdomi.
    - g) Elektrinį įrankį, priedus, antgalius ir kitas dalis naudokite pagal šią instrukciją, atsižvelgdami į darbo sąlygas ir atliekamą darbą.** Naudojant elektrinius įrankius ne pagal paskirtį gali susidaryti pavojingos aplinkybės.
    - h) Rankenos ir sugriebimo paviršiai turi būti sausi, švarūs ir neištepti alyva ar tepalu.** Dėl slidžių rankenų ir sugriebimo paviršių įrankį sunku saugiai valdyti ir jis gali išsprūsti netikėtomis aplinkybėmis.
  - 5) AKUMULIATORINIŲ ĮRANKIŲ NAUDOJIMAS IR PRIEŽIŪRA**
    - a) Kraukite naudodami tik gamintojo nurodytą įkroviklį.** Naudojant įkroviklį, skirtą kito tipo sudėtinei baterijai, gali kilti gaisro pavojus.
    - b) Elektrinius įrankius naudokite tik su jiems skirtomis sudėtinėmis baterijomis.** Naudojant kitokias sudėtines baterijas gali kilti sužalojimų ir gaisro pavojus.
    - c) Nenaudojama sudėtinė baterija turi būti laikoma atokiau nuo metalinių daiktų, tokių kaip sąvaržėlės, monetos, raktai, vinys, varžtai ar kiti smulkūs metaliniai daiktai, galintys sujungti abu baterijos gnybtus.** Įvykus trumpajam jungimui tarp baterijos gnybtų galima nusidiegti ar gali kilti gaisras.
    - d) Dėl netinkamų sąlygų iš baterijos gali iškėti skystis – nelieskite jo. Skysčiai atsitiktinai patekus ant odos, nedelsiant nuplaukite vandeniu. Jeigu skystis pateko į akis, kreipkitės ir į gydytojus.** Iš baterijos ištekęs skystis gali dirginti arba nudeginti.
    - e) Nenaudokite pažeistos ar modifikuotos sudėtinės baterijos ar įrankio.** Tokios netinkamos sudėtinės baterijos gali kelti gaisro, sprogimo ar sužalojimo pavojų.
    - f) Sudėtinės baterijos ar įrankio negalima deginti ar**



kaitinti. Bateriją deginant ar įkaitinus virš 130 °C ji gali sprogti.

- g) **Laikykitės įrankio ar sudėtinės baterijos įkrovimo instrukcijų ir įkrovimą vykdykite nurodytame temperatūrų diapazone.** Priešingu atveju galite sugadinti sudėtinę bateriją ar net sukelti gaisrą.
- 6) **TECHNINĖ PRIEŽIŪRA**
  - a) **Jūsų elektrinio įrankio techninės priežiūros darbus gali vykdyti tik kvalifikuotas remonto meistras, naudodamas tik identiškas atsargines dalis.** Tokiu būdu elektrinis įrankis išliks saugus.
  - b) **Niekada neremontuokite sugadintos sudėtinės baterijos.** Tokias baterijas remontuoti gali tik gamintojas arba įgalioto techninės priežiūros centro specialistai.

## BELAUDŽIŲ DISKINIŲ PJŪKLŲ SAUGOS ĮSPĖJIMAI

### 1) PJOVIMO PROCEDŪROS

- a) **⚠️ PAVOJUS: neikiškite rankų į pjovimo zoną ir šalia disko. Antrąją ranką laikykite ant pagalbines rankenos arba variklio korpuso.** Jei pjūklą laikote abiem rankomis, diskas negali jų įpjauti.
- b) **Nesistenkite pasiekti po ruošiniu.** Apsauga negali apsaugoti jūsų nuo pjovimo disko po ruošiniu.
- c) **Sureguliuokite pjovimo gylį pagal ruošinio storį.** Ruošinio apačioje turi matytis ne daugiau kaip visas disko dantukas.
- d) **Pjovimo metu niekada nelaikykite ruošinio rankose ar ant kojos. Pritvirtinkite ruošinį prie stabiliaus darbatalio.** Svarbu tinkamai ruošinį atremti, kad iki minimumo sumažėtų kūno dalio sužalojimo, disko įstrigimo ar įrankio nesuvaldymo pavojus.
- e) **Jei yra tikimybė, jog dirbant darbo įrankis gali kliudyti paslėptą laidą ar savo maitinimo laidą, elektrinį įrankį laikykite tik už izoliuotų rankenų** (dėl sąlyčio su laidininku, kuriuo teka elektros srovė, elektrinio įrankio metalinėse dalyse gali atsirasti įtampa ir sukelti elektros smūgi).
- f) **Pjudami prapjovus visada naudokite lygiagrečią atramą arba statmeną krašto atramą.** Taip pjūvis bus tikslesnis ir sumažės disko įstrigimo tikimybė.
- g) **Visada naudokite tinkamo dydžio ir tvirtinimo prie veleno angos formos (ne apvalios, o rombo) pjovimo diskus.** Jei pjovimo disko tvirtinimo anga netinka pjūklo velenui, diskas suksis ekscentriškai ir galite nesuvaldyti įrankio.
- h) **Niekada nenaudokite pažeistų ar netinkamų disko poveržlių ar varžtų.** Originalios disko poveržlės ir varžtai buvo specialiai sukurti jūsų pjūkliui, siekiant optimalaus veikimo ir veikimo saugumo.

### 2) ATATRANKOS PRIEŽASTYS IR SUSIJĘ ĮSPĖJIMAI

- Atatranka yra staigi reakcija į suspaustą, įstrigusį ar neišcentruotą pjovimo diską, kuomet nesuvaldytas pjūklas iššoka iš ruošinio atgal link operatoriaus.
- Kai diskas suspaudžiamas ar įstringa užsidarancioje prapjovoje, jis sustabdomas, o dėl variklio reakcijos pjūklas staigiai atmetamas atgal į operatorių.
- Jei diskas persikreipia prapjovoje, dantukai disko galiniame krašte gali „įsikisti“ į viršutinį medienos paviršių, dėl ko diskas išstumiamas iš prapjovos ir atšoka atgal į operatorių.
- Atatranka vyksta netinkamai naudojant įrankį ir (ar) dėl netinkamų darbinių procedūrų arba sąlygų. Jos galima

išvengti imantis toliau nurodytų atsargumo priemonių.

- a) **Pjūklą tvirtai laikykite abiem rankomis ir pasirinkite tokią rankų padėtį, kad galėtumėte pasipriešinti atatrankos jėgoms. Atsistokite taip, kad jūsų kūnas būtų pjovimo disko plokštumos šone, o ne vienoje linijoje.** Dėl atatrankos pjūklas gali atšokti atgal, tačiau operatorius gali kontroliuoti atatrankos jėgas, jei imasi tinkamų atsargumo priemonių.
  - b) **Kai pjovimo diskas stringa ar dėl kokios nors priežasties sustabdomas pjovimą, atleiskite pagrindinį jungiklį ir palaukite, kol pjūklas visiškai sustos. Niekada nebandykite ištraukti pjovimo disko iš darbo ruošinio arba traukti pjūklą atgal, kol diskas dar sukasi, nes gali įvykti atatranka.** Išsiaiškinkite ir imkitės taisomųjų veiksmų, kad pašalintumėte disko įstrigimo priežastį. Venkite pjauti vinis ar varžtus.
  - c) **Vėl paleisdami pjūklą, kurio pjovimo diskas likęs darbo ruošinyje, diską išcentruokite taip, kad jo dantukai nekabintų pjaunamos medžiagos.** Jei pjovimo diskas stringa, iš naujo paleidžiant pjūklą jis gali „išlipti“ iš prapjovos ar atšokti.
  - d) **Pjudami paremkite dideles plokštes, kad iki minimumo sumažėtų pjovimo disko suspaudimo ir atatrankos pavojus. Didelės plokštės gali nulinkti nuo savo svorio.** Atramas po plokšte reikia pastatyti iš abiejų pusių šalia pjūvio linijos ir šalia plokštės kraštų.
  - e) **Nenaudokite atšipusių ar pažeistų diskų.** Nepagaląsto ar netinkamai nustatyto pjovimo disko prapjova siaura, todėl padidėja trintis, disko strigimas ir atatrankos pavojus.
  - f) **Pjovimo gylio ir nuožambio reguliavimo fiksavimo svirtys turi būti tvirtai priveržtos prieš pradėdant pjauti.** Jeigu pjovimo metu šios svirtis pasislenka, diskas gali įstrigti ir atšokti.
  - g) **Būkite ypač atsargūs pjudami į esamas sienas ar kitas akląsias zonas.** Pjovimo diskas gali įpjauti kliūtis, kurios gali sukelti atatranką.
- ### 3) APATINĖS APSAUGOS FUNKCIJA
- a) **Kiekvieną kartą prieš naudodami patikrinkite apatinę apsaugą, ar ji tinkamai užsidaro. Nenaudokite pjūklo, jei apatinė apsauga laisvai nejudą ir akimirksniu neužsidaro. Niekada neužfiksuokite apatinės apsaugos atidarytoje padėtyje. Netyčia numėtą pjūklą galite sulankstyti jo apatinę apsaugą.** Pakelkite apatinę apsaugą su atitraukimo rankena ir patikrinkite, ar ji laisvai juda ir neličia pjovimo disko ar kurios nors kitos dalies, pasukus bet kuriuo kampu ar pasirinkus bet kurį pjovimo gylį.
  - b) **Patikrinkite apatinės apsaugos spyruoklės veikimą. Jei apsauga ir spyruoklė tinkamai neveikia, prieš naudojant jas reikia sutvarkyti.** Apatinė apsauga gali prastai veikti dėl pažeistų dalių, lipnių nuosėdų ar susikaupusių nešvarumų.
  - c) **Apatinę apsaugą galima atitraukti rankiniu būdu tik atliekant specialius pjūvius, tokius kaip įleidžiami ar sudėtiniai pjūviai. Pakelkite apatinę apsaugą atitraukimo rankena ir, kai tik pjovimo diskas pradės pjauti darbo ruošinį, apatinę apsaugą reikia paleisti.** Pjaunant visais kitais būdais apatinė apsauga turi veikti automatiškai.
  - d) **Visada patikrinkite, ar apatinė apsauga dengia pjovimo diską, prieš padėdami pjūklą ant**

**darbastaliu ar grindų. Neapsaugotas besisukantis diskas atmes pjūklą atgal ir jis pjaus viską, kas atsидurs jo kelyje.** Atkreipkite dėmesį, kiek trunka, kad pjovimo diskas sustotų po pagrindinio jungiklio atleidimo.

## PAPILDOMOS SAUGOS NUORODOS

### BENDRIEJI NURODYMAI

- Šį įrankį gali naudoti tik asmenys nuo 16 metų amžiaus.
- Šis įrankis netinka pjovimui šlapiuoju būdu.
- **Draudžiama pjauti medžiagas, kurių sudėtyje yra asbesto** (asbestas gali sukelti vėžį).
- Kai kurių medžiagų, kaip antai dažų, kurių sudėtyje yra švino, kai kurių medžių rūšių medienos, mineralų ir metalo dulksės gali būti kenksmingos (sąlytis su šiomis dulksėmis arba įkvėptos dulksės gali sukelti operatoriui arba šalia esantiems žmonėms alergines reakcijas ir (ar) kvėpavimo sistemos susirgimus); **mūvėkite apsaugos nuo dulkių kaukę ir dirbdami naudokite dulkių ištraukimo įrenginį, jei jį galima prijungti.**
- Kai kurių rūšių dulksės priskiriamos kancerogeninėms (pvz., ažuolo arba buko medienos dulksės), ypač susimaišiusios su medienos taurinimui naudojamais priedais; **mūvėkite apsaugos nuo dulkių kaukę ir dirbdami naudokite dulkių ištraukimo įrenginį, jei jį galima prijungti.**
- **Vadovaukitės šalyje taikomų direktyvų reikalavimais**, skirtais medžiagoms, su kuriomis norite dirbti.
- Nenaudokite šio pjūklo kartu su pjovimo stalu.
- Prieš įrankį reguliuodami ar keisdami jo priedus, atjunkite bateriją.

### PRIEDAI

- SKIL gali garantuoti nepriekaištingą įrankio veikimą tik tuo atveju, jei naudojama originali papildoma įranga ir priedai.
- Naudokite tik tokius diskus, kurie atitinka šioje naudojimo instrukcijoje pateiktas specifikacijas, yra patikrinti pagal EN 847-1 ir atitinkamai paženklinėti.
- Leidžiama naudoti tik tokius priedus, kurių maksimalus leistinas sūkių skaičius yra ne mažesnis, nei maksimalus jūsų įrankio sūkių skaičius.
- Naudokite tik tokius pjovimo diskus, kurių mažiausias skersmuo yra 184 mm, didžiausias skersmuo 184 mm, o suklio skylės skersmuo – 16 mm.
- Niekada nenaudokite diskų, pagamintų iš greitapjovio plieno (HSS).
- Su šiuo įrankiu niekada nenaudokite šlifavimo ar pjovimo diskų.

### PRIEŠ DARBĄ

- Saugokite įrankį, kad nesugadintumėte jį sraigtus, vinius ir kitas klūtis ruošinyje; prieš pradėdami darbą jas pašalinkite.
- Prieš pradėdami pjauti pašalinkite visas pjūvio linijoje esančias klūtis tiek ruošinio viršuje, tiek ir apačioje.
- **Ruošinį saugiai įtvirtinkite** (spaustuvuose suspaustas ruošinys yra įtvirtintas saugiau, nei laikomas ranka).
- **Su tinkamais ieškikliais patikrinkite, ar darbo zonoje nėra paslėptų komunalinių tinklų vamzdžių, arba dėl pagalbos kreipkitės į vietinius komunalinių paslaugų tiekėjus** (pažeidus elektros laidą gali kilti gaisro ar elektros smūgio pavojus; pažeidus dujotiekio vamzdį, gali įvykti sprogimas; pažeidus vandentiekio vamzdį, galima sugadinti turtą arba gali kilti elektros smūgio pavojus).

## DARBO METU

- Darbo metu triukšmo lygis gali viršyti 85 dB (A); naudokite klausos apsaugos priemones.
- Niekomet nenaudokite įrankio be originalios apsauginės įrangos.
- Nemėginkite pjauti labai mažų ruošinių.
- Nedirbkite su įrankiu išklėję jį virš galvos.
- Įrankiui įstrigus ar atsiradus mechaninio ar elektrinio pobūdžio triktims, iš karto jį išjunkite ir išimkite bateriją.

## PO DARBO

- Prieš padėdami įrankį jį išjunkite ir palaukite, kol visos besisukančios dalys visiškai sustos.
- Išjungę diskinį pjūklą, jo disko niekada nebandykite sustabdyti prie ko nors priglausdami.

## BATERIJOS

- Pridedama baterija yra iš dalies įkrauta (kad baterija veiktų visa galia, prieš pirmą kartą naudodami savo elektrinį įrankį iki galo ją įkraukite, įstatę į baterijų įkroviklį).
- Su šiuo įrankiu naudokite tik šias baterijas ir įkroviklius:
  - SKIL baterija: BR1\*31\*\*\*\*
  - SKIL įkroviklis: CR1\*31\*\*\*\*
- Nenaudokite pažeistų baterijų; jas būtina pakeisti.
- Baterijų neardykite.
- Saugokite įrankį ir bateriją nuo lietaus.
- Leistina aplinkos temperatūra (įrankio, įkroviklio, baterijos):
  - įkrovimo metu 4–40 °C;
  - darbo metu -20–50 °C;
  - laikymo metu -20–50 °C.

## SIMBOLIŲ ANT ĮRANKIO IR BATERIJOS PAAIŠKINIMAS

- ③ Prieš naudojant įrankį perskaityti instrukcijų vadovą.
- ④ Įmestos į ugnį baterijos gali sprogti; draudžiama baterijas deginti.
- ⑤ Laikyti įrankį / įkroviklį / bateriją vietoje, kurioje temperatūra neviršija 50 °C.
- ⑥ Elektrinius įrankius ir baterijas draudžiama išmesti kartu su buitinėmis atliekomis.

## DARBAS

- Baterijos įkrovimas
- ! **Perskaitykite saugos įspėjimus ir instrukcijas, pateiktas kartu su įkrovikliu.**
- Baterijos išėmimas ir įstatymas ②
- Pjūklo disko tvirtinimas ②:
- ! **Išimkite iš įrankio bateriją.**
  - išimkite šešiabriaunį raktą iš laikiklio B;
  - nuspauskite suklio blokavimo mygtuką ir laikykite nuspauddę, kol išsiksite disko varžtas D, sukdami šešiabriaunį raktą LAIKRODŽIO RODYKLĖS KRYPTIMI (= ant pjovimo disko pažymėtos rodyklės kryptimi);
- ! **Suklio blokavimo mygtuką C spauskite tik įrankiu sustojus.**
  - atleiskite suklio blokavimo mygtuką C;
  - nuimkite jungę E.
- ! **Jungių prispaudimo plokštumos H turi būti visiškai švarios ir atsuktos į pjovimo diską.**
  - svirtimi G atidarykite apatinę apsaugą F ir laikykite, kol uždėsite pjovimo diską taip, kad jo dantukai ir rodyklė būtų nukreipti ta pačia kryptimi, kaip ir rodyklė ant viršutinės apsaugos;
  - atleiskite ir uždarykite apatinę apsaugą F;

- uždėkite jungę E;
- paspauskite suklio blokavimo mygtuką C ir laikykite nuspaudę, kol šešiabriauniu raktu priveršite disko varžtą (priveržę ranka dar pasukite 1/8 apsisukimo – taip diskas galės praslysti pernelyg padidėjus apkrovai ir sumažės variklio apkrova bei pjūklo atatranka);
- atleiskite suklio blokavimo mygtuką C.
- Pjovimo gylio nustatymas (0–66 mm) ⑦
  - optimali pjovimo kokybė pasiekama tuomet, kai pjovimo diskas išsikiša ruošinio apačioje ne daugiau kaip per 3 mm;
  - atsukite rankenėlę J;
  - pakelkite arba nuleiskite atraminę plokštelę K į pageidaujimą pjovimo gylį (pagal skalės indikatorių L);
  - priveržkite rankenėlę J.
- Baterijos įkrovos indikatorius ⑧
  - paspauskite baterijos įkrovos indikatoriaus mygtuką AC, jei norite pamatyti baterijos įkrovos lygį ⑧a
  - ! Jei paspaudus mygtuką AC ⑧b pradeda mirksėti mažiausios baterijos įkrovos indikatorius, tai reiškia, kad baterija išsikrovusi.**
  - ! Jei paspaudus mygtuką AC ⑧c pradeda mirksėti 2 baterijos įkrovos indikatoriai, tai reiškia, kad aplinkos temperatūra nėra leistiname darbo diapazone.**
- LED lemputė ⑫ V
  - LED lemputė užsidega automatiškai, įjungus įjungimo ir išjungimo jungiklį.
  - ! Jei LED lemputė pradeda mirksėti, tai reiškia, kad suveikė baterijos apsauga (žr. toliau).**
- Baterijos apsauga
  - Įrankis staiga išsijungia arba jo nepavyksta įjungti, jeigu:
    - apkrova per didelė --> pašalinkite apkrovą ir vėl paleiskite;
    - baterijos temperatūra nėra leistiname darbo diapazone nuo -20 °C iki +50 °C --> paspaudus mygtuką AC pradeda mirksėti 2 baterijos įkrovos indikatoriai ⑧c; palaukite, kol baterijos temperatūra grįš į leistiną darbo diapazoną;
    - baterija beveik išsikrovusi (apsauga nuo visiško išsikrovimo) --> paspaudus mygtuką AC rodomas žemas baterijos lygis arba mirksi žemo įkrovos lygio indikatorius ⑧b; įkraukite bateriją.
  - ! Nelaikykite nuspaudę pagrindinio jungiklio, jei įrankis išsijungė automatiškai, nes galite sugadinti bateriją.**
- Pjovimo kampo reguliavimas (0–56°) ⑨
  - atlaisvinkite svirtį M;
  - įrankį pakreipkite norimu kampu, orientuodamiesi pagal indikatoriaus N padėtį skalėje;
  - naudodami 45° nuožambio ribotuvą P galite greitai nustatyti 45° nuožambio kampą;
  - norėdami nustatyti didesnį nei 45° nuožambio kampą, pasukite 45° nuožambio ribotuvą P, kad ištrauktumėte iš indikatoriaus N;
  - priveržkite svirtį M.
  - ! Atliekant įstrižus pjūvius gylio skalėje pažymėtos padalos neatitinka tikrojo pjovimo gylio.**
- Pjūvio žymeklis Q ⑩
  - padeda tiksliai vesti įrankį pagal ant ruošinio užbrėžtą liniją;
  - tiesiam 0° arba įstrižam 45° pjūviui reikia naudoti atitinkamą žymeklio liniją.

**! Didesnė atraminės plokštelės dalis turi gulti ant paremtos ruošinio dalies.**

**! Pjūvio plotis priklauso nuo pjūklo dantukų tako pločio, o ne nuo disko storio.**

**! Norėdami sužinoti tikrąją pjūvio liniją, visuomet pirmiausiai atlikite bandomąjį pjūvį.**

- Dulkių nusiurbimas ⑪
  - Prisukite dulkių siurblio adapterį R prie pjūklo varžtu su kryžmine galvute.
  - Jei naudojate dulkių siurbį:
    - prijunkite dulkių siurblio žarną prie dulkių siurblio adapterio R.
    - ! Dulkių siurblio žarna niekada neturi kliudyti apatinei apsaugai ar pjovimo procedūrai.**
  - Dulkių surinkimo maišelis:
    - Pritvirtinkite dulkių surinkimo maišelį.
- Įrankio naudojimas:
  - įstatykite bateriją;
  - visada viena ranka tvirtai laikykite rankeną S, o kita rankeną T;
  - uždėkite įrankį atraminės plokštelės priekine dalimi ant ruošinio;
  - ! Pjūklo dantukai neturi remtis į ruošinį.**
  - įrankį įjunkite pirmiausia nuspausdami apsauginį jungiklį W, o po to paspausdami pagrindinį jungiklį Y;
  - ! Pjovimo diskas pirmiausia turi įsisukti visu greičiu ir tik po to jį galima spausti prie ruošinio.**
  - apatinė apsauga E atsidaro automatiškai, kai pjovimo diskas įsijauna į ruošinį (atliekant specialius pjūvius, tokius kaip įlaidžiamai, apatinę apsaugą atidarykite rankiniu būdu su svirtimi G);
  - ! Nespauskite įrankio (kad neperkaistų pjūklo dantukai, spauskite lengvai ir tolygiai).**
  - užbaigę pjūvį išjunkite įrankį, atleisdami pagrindinį jungiklį Y.
  - ! Prieš pakeldami įrankį nuo ruošinio patikrinkite, ar pjovimo diskas visiškai sustojo.**

## NAUDOJIMO PATARIMAI

- Visada atsukite gerąją ruošinio pusę į apačią, kad ji kuo mažiau skilinėtų.
- Naudokite tik tinkamo tipo aštrius pjūklo diskus ⑬:
  - pjūvio kokybė priklauso nuo dantukų skaičiaus;
  - pjūklo diskai su kietlydinio dantukais išlieka aštrūs iki 30 kartų ilgiau, nei įprastiniai diskai.
- Skersiniai pjūviai ⑭
  - Skersinius pjūvius lengva atlikti naudojant lygiagrečią atramą Z:
    - sulgyjuokite atramą su 0° pjovimo žymekliu Q ant atraminės plokštelės;
    - įkiškite lygiagrečią atramą Z pro aną kurioje nors atraminės plokštelės pusėje iki norimo pločio ir užfiksuokite rankenėlę AA.
  - ! Pjūklo apsauginis aptvaras neturi trukdyti laisvai judėti apatinei apsaugai ir pjūklo diskui.**
- Pjovimas įleidžiant pjūklą ⑮:
  - nustatykite norimą pjovimo gylį;
  - paverskite įrankį į priekį taip, kad pjūvio žymeklis Q tiksliai atitiktų reikiamą pjūvio liniją, užbrėžtą ant ruošinio;
  - svirtimi G atidarykite apatinę apsaugą F;
  - prieš pat pjūklo dantukams prisiliečiant prie ruošinio, įjunkite pjūklą ir, iš lėto nuleisdami galinę įrankio dalį,

įpjaukite ruošinį; priekinė atraminės plokštelės dalis visą tą laiką turi būti atremta į ruošinį ir naudojama kaip atramos vieta;

- įleidę pjovimo diską į ruošinį, po truputį pjūklą stumkite ir į priekį;

- kai diskas įsipjaus į ruošinį, atleiskite svirtį G.

**! Jokiū būdu netraukite pjūklo atgal.**

• Didelių plokščiųį pjaustymas 16):

- plokštę atremkite netoli pjūvio linijos, paguldę ją ant grindų, stalo ar darbatalio;

**! Pjovimo gylį nustatykite taip, kad perpjautumėte tik plokštę, bet neįpjautumėte atramos, ant kurios ji guli.**

- jei lygiagrečios atramos nepakanka norimam pjovimo pločiui nustatyti, prie ruošinio prispauskite ar prikalkite tiesią medinę juostelę, kurią panaudokite kaip kreipiančiąją linijuotę; priglauskite prie jos kairįjį atraminės plokštelės kraštą 17).

• Pjovimas naudojant kreipiamąjį bėgelį 19). \*NĖRA STANDARTINIAME KOMPLEKTE

Naudojant kreipiamąjį bėgelį galima atlikti tikslius ir tiesius pjūvius 0° arba nuožambiu 45° kampu. Prieš atliekant pirmąjį pjūvį su kreipiamuoju bėgeliumi, prie naudojamo diskinio pjūklo reikia pritaikyti guminę bėgelio briauną.

- jei norite atlikti tiesų 0° pjūvį, sulygiuokite bėgelio AE 0° nuožambią pusę (arba 45° nuožambią pusę, jei atliekate 45° nuožambų pjūvį) su norima pjūvio linija, pažymėta ant ruošinio;

- tvirtai prispauskite kreipiamąjį bėgelį AE prie ruošinio spaustuvas AF 18); \*NĖRA STANDARTINIAME KOMPLEKTE

- uždėkite pjūklą ant bėgelio AE ir pasukite kreipiamąjo griovelio reguliavimo rankenėles U pagal laikrodžio rodyklę, kad sumažintumėte tarpelį tarp griovelio atraminėje plokštelėje ir iškilios briaunos ant bėgelio AE; įsitikinkite, kad pjūklas gali laisvai slysti ant bėgelio, nesvyruodamas į šonus;

- nustatydami pjovimo gylį, nepamirškite atsižvelgti į kreipiamąjo bėgelio AE storį;

- iš lėto ir tolygiai stumkite pjūklą iki bėgelio gale.

• Daugiau informacijos rasite svetainėje [www.skil.com](http://www.skil.com).

## TECHNINĖ PRIEŽIŪRA IR REMONTAS

• Šis įrankis neskirtas naudoti profesionalams.

• Įrankis visada turi būti švarus!

**! Prieš valydami išimkite iš įrankio bateriją.**

• Plotas aplink apatinę apsaugą F 2) būtų visada turi būti švarus (dulkes ir pjuvenas išpūskite suslėgtuoju oru arba nuvalykite šepetėliu).

• Po pjovimo iš karto nuvalykite pjovimo diską (ypač nuo dervų bei lakų liekanų).

• Jeigu įrankis, nepaisant gamykloje atliekamo kruopštaus gamybos ir kontrolės proceso, vis dėlto sugestų, jo remontas turi būti atliekamas įgaliotose SKIL elektrinių įrankių remonto dirbtuvėse:

- **neišardyta** įrankį kartu su pirkimo čekiu siųskite pardavėjui arba į artimiausią SKIL techninės priežiūros centrą (adresus bei atsarginių dalių brėžinius rasite [www.skil.com](http://www.skil.com)).

• Atminkite, kad garantija netaikoma, jei gedimas atsiranda dėl perkrovos ar netinkamo naudojimo (dėl SKIL garantijos sąlygų žr. [www.skil.com](http://www.skil.com) arba kreipkitės į

pardavėją).

## APLINKOSAUGA

Tik ES šalims

• Neišmeskite elektrinių įrankių, jų priedų ir pakuočių kartu su buitinėmis atliekomis:

- pagal ES Direktyvą 2012/19/EB dėl naudotų elektrinių ir elektroninių prietaisų atliekų utilizavimo ir pagal galiojančius nacionalinius įstatymus netinkami naudoti elektriniai įrankiai turi būti surenkami atskirai ir pristatyti į tokių atliekų surinkimo vietas;

- simbolis 6 primins apie tai, kai tokią įrangą reikės išmesti.

**! Prieš išmesdami bateriją izoliuokite jos kontaktus, kad neįvyktų trumpasis jungimas.**

## TRIUKŠMAS / VIBRACIJA

• Išmatavus pagal EN62841 šio įrankio garso slėgio lygis yra 91 dB (A), garso galios lygis yra 102 dB (A) (neapibrėžtis K = 3 dB), o vibracija \* (trishio vektoriaus suma; neapibrėžtis K = 1,5 m/s<sup>2</sup>) \* pjaunant medieną < 2,5 m/s<sup>2</sup>.

• Vibracijos sklaidos lygis išmatuotas pagal standarte EN 62841 išdėstytus standartizuoto bandymo reikalavimus; ši vertė gali būti naudojama vienam įrankiui palyginti su kitu bei išankstinaim vibracijos poveikiui įvertinti, kai įrankis naudojamas paminėtais būdais:

- naudojant įrankį kitokiais būdais arba su kitokiais bei netinkamai prižiūrimais priedais, gali ženkliai išaugti poveikio lygis;

- kai įrankis išjungtas arba yra įjungtas, tačiau juo nedirbama, gali ženkliai sumažėti poveikio lygis.

**! Apsisaugokite nuo vibracijos poveikio prižiūredami įrankį ir jo priedus, laikydami rankas šiltai ir derindami darbo ciklus su pertraukėlėmis.**

MK

**Безжична кружна пила  
без четки**

**3571**

## ВОВЕД

• Овој алат е наменет за надолжно и попречно сечење на дрво со рамни засеци, како и со аглни засеци до 56°

• Овој алат не е наменет за професионална употреба

• Прочитајте го и зачувајте го ова упатство за ракување 3)

## ТЕХНИЧКИ ПОДАТОЦИ 1)

## ЕЛЕМЕНТИ НА АЛАТОТ 2)

**A** Шестоаголен клуч

**B** В Простор за складирање на шестоаголниот клуч

**C** С Копче за заклучување на вретеното

**D** D Резе на сечилото

**E** Е Прирабница

**F** F Долен штитник

**G** G Лост за отворање на долниот штитник

**H** H Површина за стегање

**J** J Копче за одредување на длабочината на сечење

<b>K</b>	K Ножна педала
<b>L</b>	L Индикатор за длабочината на сечењето
<b>M</b>	M Лост за регулирање на аголот на сечење
<b>N</b>	N Индикатор за аголот на сечење
<b>P</b>	P Сопирање на наклон од 45°
<b>Q</b>	Q Индикатор за подесување на линијата на сечењето
<b>R</b>	R Адаптер за правосмукалната
<b>S</b>	S Задна дршка
<b>T</b>	T Предна рачка
<b>U</b>	U Копче за прилагодување на отворот на водилката
<b>V</b>	V ЛЕД-светло
<b>W</b>	W Безбедносен прекинувач
<b>X</b>	X Отвор на водилката
<b>Y</b>	Y Прекинувач за активирање
<b>Z</b>	Z Странична ограда
<b>AA</b>	AA Копче за прилагодување на страничната ограда
<b>AB</b>	AB Кука
<b>AC</b>	AC Индикатор за нивото на батеријата
<b>AD</b>	AD Вреќа за прашина*
<b>AE</b>	AE Шина водилка*
<b>AF</b>	AF Стегач за шина водилка*

\* СТАНДАРДНО НЕ Е ВКЛУЧЕНО

## БЕЗБЕДНОСТ

### ОПШТИ ПРЕДУПРЕДУВАЊА ЗА БЕЗБЕДНОСТ НА ЕЛЕКТРИЧНИТЕ АЛАТИ

**▣ ПРЕДУПРЕДУВАЊЕ** Прочитајте ги сите безбедносни предупредувања, упатства, слики и спецификации што се обезбедуваат со овој електричен алат. Непочитувањето на сите упатства подолу може да доведе до електричен удар, пожар и/или сериозна повреда.

**Чувајте ги сите предупредувања и упатства за понатамошно упатување.**

Поимот „електричен алат“, кој се користи во предупредувањата, се однесува на вашиот електричен алат (со приклучен кабел) или на електричен алат со погон на батерии (без приклучен кабел).

#### 1) БЕЗБЕДНОСТ НА РАБОТНОТО МЕСТО

- Одржувајте го работното место чисто и добро осветлено.** Неуреден или темен работен простор може да предизвика незгоди.
- Немојте да работите со електрични алати во средини во кои има опасност од експлозија, како на пример во кои има запалливи течности, гасови или прашина.** Електричните алати создаваат искри коишто може да запалат прашина или испарувања.
- Држете ги децата и другите лица подалеку додека ранувате со електричен алат.** Може да изгубите контрола ако нешто ви го одзема вниманието.

#### 2) ЕЛЕКТРИЧНА БЕЗБЕДНОСТ

- Приклучоците за електричниот алат мораат да одговараат на штекерот.** Никогаш на никаков начин не го менувајте приклучонокот. Не користете никакви адаптери за приклучоци со (заземјени)

електрични алати. Немодифицираните приклучоци и соодветните штекери ќе ја намалат опасноста од струен удар.

- Избегнувајте допир на телото со заземјени површини, како што се цевки, радијатори, шпорети и фрижидери.** Постои зголемена опасност од струен удар, доколку вашето тело е заземјено.
  - Не ги изложувајте електричните алати на дожд или влага.** Продирањето на вода во електричниот уред ќе ја зголеми опасноста од струен удар.
  - Немојте да го злоупотребувате кабелот за напојување.** Никогаш не го користете кабелот за напојување за носење, влечење или исклучување на електричниот алат. Чувајте го кабелот за напојување подалеку од топлина, масло, остри ивици или подвижни делови. Оштетените или заплетканите кабли за напојување ја зголемуваат опасноста од струен удар.
  - Кога го употребувате електричниот алат надвор, користете продолжен кабел кој е соодветен за употреба на отворен простор.** Користењето на кабел соодветен за работа на отворен простор ја намалува опасноста од струен удар.
  - Доколку не може да се избегне работа со електричниот алат во влажна средина, користете заштитен уред што работи на резидуална струја (RCD).** Употребата на RCD ја намалува опасноста од струен удар.
- #### 3) ЛИЧНА БЕЗБЕДНОСТ
- Бидете внимателни, внимавајте што правите и постапувајте разумно додека работите со електричниот алат.** Никогаш не работете со електричен алат ако сте уморни или под влијание на дрога, алкохол или лекови. Момент на невнимание при работење со електрични алати може да доведе до сериозна лична повреда.
  - Носете лична заштитна опрема.** Секогаш носете заштитни очила. Носењето на заштитна опрема, како што е маска за прашина, безбедносни обувки кои не се лизгаат, заштитен шлем или штитници за уши, употребени во соодветни услови, ја намалуваат опасноста од лични повреди.
  - Спречете случајно вклучување.** Осигурете се дека прекинувачот е на позицијата off (исклучено) пред приклучувањето на изворот на напојување и/или батеријата, подигнувањето или носењето на алатот. Носењето на електричниот алат со вашиот прст на прекинувачот или вклучување на електрични алати со прекинувачот поставен на позиција on (приклучено) доведува до несреќи.
  - Пред вклучување на електричниот алат отстранете ги сите клучеви за подесување или алати за навртување.** Алат или клуч што е оставен прикачен на ротациониот дел на уредот, може да доведе до лична повреда.
  - Не посегнувајте преку одредена граница.** Цело време одржувајте правилен став и рамнотежа. На тој начин можете подобро да го контролирате електричниот алат во неочекувани ситуации.
  - Носете соодветна облека.** Не носете широка облека или накит. Чувајте ги косата и облеката подалеку од подвижните делови. Широката



облека, накиот или долгата коса може да се фатат во подвижните делови.

- g) **Доколку се обезбедени уреди за приклучување на апарати за вшмукување и собирање прашина, осигурете се дека тие се правилно приклучени и користени.** Користењето на уреди за собирање прашина може да ги намали опасностите поврзани со прашината.
- h) **Не дозволувајте искуството стекнато со честата употреба на алатите да ве направи невнимателни и да ги игнорирате безбедносните принципи при нивното користење.** Невнимателната активност може да предизвика сериозна повреда во дел од секунда.
- 4) **УПОТРЕБА НА ЕЛЕКТРИЧНИ АЛАТИ И ГРИЖА ЗА НИВ**
  - a) **Не преоптоварувајте го електричниот алат.** Користете ја правилната електрична алатна наменета за вашата работа. Со соодветниот електричен алат ќе ја завршите работата подобро и побезбедно во однос на тоа за што е наменета.
  - b) **Не користете го електричниот алат ако прекинувачот не може правилно да се вклучи и исклучи.** Секој електричен алат кој не може да се контролира со помош на приклучок е опасен и мора да се поправи.
  - c) **Исклучете го електричниот алат од струја и/или извадете го комплетот со батерија од електричниот алат, ако се одделува, пред да правите некакви прилагодувања, менувате дополнителна опрема или да ги складираате електричните алати.** Со овие превентивни безбедносни мерки се намалува опасноста од случајно вклучување на електричниот алат.
  - d) **Складирајте ги електричните алати во мирување надвор од дофатот на деца и не им допуштајте работа со уредот на лица кои не се запознаени со него или кои го немаат прочитано ова упатство.** Електричните алати се опасни доколку со нив работат нестручни лица.
  - e) **Одржувајте ги електричните алати и дополнителната опрема. Проверете дали има изместување или допирање на подвижните делови, дали некои делови се скршени или се во некоја друга состојба што влијае врз работата на електричниот алат.** Ако е оштетен, однесете го алатот на поправка пред да го користите. Многу несреќи се случуваат заради неодржуван електричен алат.
  - f) **Алатите за сечење одржувајте ги остри и чисти.** Внимателно одржувањето на алатите за сечење со остри ивици помалку ќе се заглавуваат и полесно се контролираат.
  - g) **Електричниот алат, дополнителната опрема, работните алати итн., треба да ги користите според овие упатства, земајќи ги во предвид работните услови и работата која треба да се заврши.** Употребата на електричниот алат за работи што се поинакви од неговата намена може да доведе до опасна ситуација.
  - h) **Одржувајте ги рачните и површините за фаќање суви, чисти и без масло и маст на нив.** Рачните и површините за држење што се лизгаат не

овозможуваат безбедно ракување и контрола на алатот во неочекувани ситуации.

- 5) **КОРИСТЕЊЕ НА АЛАТ НА БАТЕРИИ И ГРИЖА ЗА НЕГО**
  - a) **Вршете полнење само со полначот што е пропишан од страна на производителот.** За полначот кој е соодветен за еден вид на батерији, постои опасност од пожар, доколку се употребува со други батерији.
  - b) **Користете ги електричните алати само со посебно назначени батерији.** Користењето на било кои други батерији може да доведе до опасност од повреда и пожар.
  - c) **Кога батериите не се користат, држете ги настрана од метални предмети како што се спајалници за хартија, парички, клучеви, вилници, шrafoви или други, мали метални предмети кои можат да спојат еден пол со друг.** Краткиот спој на половите на батериите може да предизвика изгореници или пожар.
  - d) **Во услови на злоупотреба може да дојде до исфрлање на течност од батеријата; избегнувајте контакт. Ако дојде до случаен контакт, измијте го местото со вода. Ако течност дојде во контакт со очите, дополнително побарајте и ленарска помош.** Течноста која истекува од батеријата може да предизвика иритација или изгореници.
  - e) **Не употребувајте комплет со батерији или алат којшто е оштетен или изменет.** Оштетените или изменетите батерији можат да реагираат непредвидливо и да предизвикаат пожар, експлозија или опасност од повреда.
  - f) **Не изложувајте го комплетот со батерији или алатот на оган или висока температура.** Изложувањето на оган или температура над 130°C може да предизвика експлозија.
  - g) **Следете ги сите упатства за полнење и не полнете го комплетот со батерији или алатот надвор од температурниот опсег наведен во инструкциите.** Неправилното полнење или полнењето на температура што е надвор од наведениот опсег, може да ја оштети батеријата и да ја зголеми опасноста од пожар.
- 6) **СЕРВИСИРАЊЕ**
  - a) **Електричниот алат сервисирајте го најквалификувано лице кое користи само идентични резервни делови.** Со ова се обезбедува безбедно одржување на електричниот алат.
  - b) **Никогаш не поправајте ги оштетените комплекти со батерији.** Поправката на комплетите со батерији треба да ја врши само производителот или некој овластен сервис.

## **БЕЗБЕДНОСНИ ПРЕДУПРЕДУВАЊА ЗА БЕЗЖИЧНИ КРУЖНИ ПИЛИ**

### **1) ПОСТАПНИ ЗА СЕЧЕЊЕ**

- a) **⚠ ОПАСНОСТ: Држете ги рацете подалеку од областа за сечење и сечилото. Држете ја втората рака на помошната рачка, или на моторното нуѓиште.** Ако двете раце ја држат пилата, не може да бидат исечени со сечилото.

- b) **Не посегнувајте под работното парче.** Штитникот не може да ве заштити од сечилото под работното парче.
- c) **Прилагодете ја длабочината на сечењето на дебелината на работното парче.** Под работното парче треба да се гледа помалку од цел забец на сечилото.
- d) **Никогаш не држете го работното парче во вашите раце или преку ногата додена сечете.** Прицврстете го работното парче на стабилна платформа. Важно е да имате стабилна потпора во текот на работата за да се намали изложување на телото, заглавување на сечилото или загуба на контролата.
- e) **Држете го алатот за изолираните површини за фаќање, кога извршувате работа, при којашто дополнителната опрема за сечење може да дојде во контакт со сокриените жици или со неговиот кабел** (контактот со жица под напон може да ги електрифицира металните делови на алатот и да предизвика електричен удар на операторот)
- f) **При надолжно сечење, секогаш користете странична ограда или водилка со рамен раб.** Така ќе ја подобрите прецизноста на сечењето и ќе го намалите ризикот од заглавување на сечилото.
- g) **Секогаш користете сечила со соодветна големина и форма (ромб или круг) на отворите за осевината.** Сечилата што не се совпаѓаат со хардверот за монтажа на пилата ќе се вртат ексцентрично, предизвикувајќи губење на контролата.
- h) **Никогаш не користете оштетени или неисправни запчаници или резина за сечилата.** Запчаниците и резината за сечила се посебно дизајнирани за вашата пила, заради оптимални перформанси и безбедност при ракување.
- 2) ПРИЧИНИ ЗА ПОВРАТЕН УДАР И ПОВРЗАНИ ПРЕДУПРЕДУВАЊА**
- Повратниот удар претставува ненадејна реакција на прикљештено, заглавено или лошо порамнето сечило на пилата, што предизвикува подигање на неконтролираната пила од работното парче кон оној кој ракува со пилата
  - Кога сечилото ќе се прикљешти или цврсто ќе се заглави при затворање на засекот, сечилото застанува и моторот забрзано ја води единицата назазад кон оној кој ракува со пилата
  - Доколку сечилото се искриви или не е порамнето со површината која се сече, запците на задниот раб на сечилото може да се забијат во горната површина на дрвото и да предизвикаат дигање на сечилото од засекот и отскокнување кон оној кој ракува со пилата
  - Повратниот удар произлегува како резултат од неправилно ракување и/или неправилни процедури или услови при работата со пилата, и може да се избегне со преземање на соодветни мерки на претпазливост кои се наведени во понатамошниот текст.
- a) **Одржувајте цврст зафат на пилата со двете раце и поставете ги рацете на тој начин со којшто ќе си овозможите да ја издржите силата на повратниот удар.** Поставете го телото на двете страни на сечилото, но не во линија со сечилото. Повратниот удар може да доведе до отскокнување на пилата нааназад, но лицето кое ракува со неа може да ги контролира реакциите од силата на повратниот удар, ако ги преземе неопходните мерки на претпазливост.
- b) **Кога сечилото се заглавува или кога прекинувате со сечење од која било причина, исклучете ја пилата и држете ја без да ја поместувате додена сечилото не застане сосема. Никогаш не обидувајте се да ја извадите пилата од работното парче или да ја повлечувате нааназад додена сечилото се движи, во спротивно може да дојде до повратен удар.** Проверете и преземете корективни дејства за да ја елиминирате причината за заглавување на сечилото. Избегнувајте сечење на клинчи или завртки.
- c) **При рестартирање на пилата во работното парче, центрирајте го сечилото на пилата во прорезот така што забите на пилата да не се во контакт со материјалот.** Ако се заглави сечилото на пилата, може да излезе од работното парче или да предизвика повратен удар додека пилата се рестартира.
- d) **Потпрете ги големите панели за да го сведете ризикот од прикљештување и повратен удар на сечилото на минимум.** Големите панели за работа имаат тенденција да се виткаат под сопствената тежина. Потпорите мора да се постават под панелот на двете страни, близу до линијата за сечење и близу работ на панелот.
- e) **Не користете тапи или оштетени сечила.** Ненаоштрени или неправилно поставени сечила може да доведат до тесен засек и да предизвикаат прекумерно триење, заглавување на сечилото или повратен удар.
- f) **Рачките за заклучување на подесувањето на длабочината на сечењето и на наклонот мора да бидат затегнати и цврсти, пред почетокот на сечењето.** Ако прилагодувањето на сечилото се помести додека сечете, тоа може да предизвика заглавување и повратен удар.
- g) **Бидете особено претпазливи при сечење во постоечките сидови или други подрачја кои не се гледаат.** Сечилото на пилата кое стрчи може да пресече предмет кои можат да предизвикаат повратен удар.
- 3) ФУНКЦИЈА НА ДОЛНИОТ ШТИТНИК**
- a) **Проверете дали долниот штитник е добро затворен пред секоја употреба. Не вклучувајте ја пилата ако долниот штитник не се движи слободно и не се затвора веднаш. Никогаш не стегајте го или врзувајте го долниот штитник во отворена положба. Долниот штитник може да се свитка ако пилата случајно падне.** Подигнете го долниот штитник со рачката за вовлекување и проверете дали се движи слободно и дали ги допира сечилото или некој друг дел по сите агли и длабочини на сечење.
- b) **Проверете ја работата на пружината на долниот штитник. Ако штитникот и пружината не работат како што треба, тие мора да се сервисираат пред употреба.** Долниот штитник може да работи бавно заради оштетени делови, гумени наслаги или наталожен отпаден материјал.

- c) **Долниот штитник би требало да се вовлече рачно само за посебни засеци како што се „засеци со заронување“ и „сложени засеци“.** Подигнете го долниот штитник со рачката за вовлекување и штом сечилото ќе влезе во материјалот, долниот штитник мора да се ослободи. За сите други видови на сечење, долниот штитник треба да работи автоматски.
- d) **Секогаш внимавајте долниот штитник да го покрие сечилото пред да ја спуштите пилата на нлупа или на подот.** Незаштитено сечило во празен од ќе предизвика пилата да се повлече наназад, сечејќи се што е на нејзиниот пат. Бидете свесни за времето потребно сечилото да престане откако ќе се ослободи прекинувачот.

## ДОПОЛНИТЕЛНИ БЕЗБЕДНОСНИ ПРЕДУПРЕДУВАЊА

### ОПШТИ

- Овој алат не треба да го користат лица под 16 години
- Овој алат не е погоден за влажно сечење
- **Не обработувајте никакви работни материјали кои содржат азбест** (азбестот важи за предизвикувач на рак)
- Прашината од материјали како боја која содржи олово, некои видови дрво, минерали и метали, може да биде штетна за здравјето (контактот со прашина или нејзиното вдишување може да предизвика алергиски реакции и/или болести на дишните органи за оној кој работи со алатот или луѓето во близина); **носете масна за прашина и работете со правосмукалки доколку можете да ја поврзете**
- Некои видови на прашина се канцерогени (како на пример прашината од даб или бука), особено заедно со адитиви за одржување на дрвото; **носете масна за прашина и работете со правосмукална доколку можете да ја поврзете**
- Следете ги националните барања кои се однесуваат на прашина за материјалите со кои сакате да работите
- Не ја користете оваа пила во комбинација со основа за пила
- Отстранете ја батеријата од алатот пред секое подесување или промена на дополнителната опрема

### ДОПОЛНИТЕЛНА ОПРЕМА

- SKIL може да осигури беспрекорно функционирање на алатот само доколку е користена оригинална дополнителна опрема
- Користете само сечила за пила, кои одговараат на наведените податоци во ова упатство за употреба или се проверени и означени според EN 847-1
- Користете само дополнителна опрема чија дозволена брзина е во најмала рака еднаква на најголемата брзина при празен од 16 мм
- Користете само сечила за пили со минимален дијаметар од 184 мм, со максимален дијаметар од 184 мм и отвор на вретеното од 16 мм
- Никогаш не користете сечила за пила изработени од челик со голема брзина (HSS)
- Никогаш не користете дискови за мелење/сечење со овој алат

### ПРЕД УПОТРЕБА

- Избегнувајте оштетувања од штрафови, шајки и други предмети во работното парче; тргнете ги пред

да почнете со работа

- Пред да почнете со сечење, отстранете ги сите пречки на и под местото каде сечете
- **Зацврстете го работното парче** (работно парче кое е зацврстено со стеги или во менгеме е побезбедно отколку да го држите со раце)
- **Користете соодветни детектори за наоѓање на скриени инсталации или повикајте соодветна компанија за помош** (контактот со електричните линии може да доведе до струен удар; оштетувањата во гасоводна цевка може да резултираат со експлозија; пенетрирањето во водоводна инсталација може да доведе до оштета на предмети или електричен удар)

### ВО ТЕНОТ НА УПОТРЕБАТА

- Нивото на бучава при работа може да надмине 85 dB(A); носете штитници за уши
- Никогаш не користете го алатот без оригиналниот систем за заштита
- Не се обидувајте да пресечете исклучително мали работни парчиња
- Не работете со алатката над главата
- Во случај да дојде до заглавување или електричен или механички дефект, веднаш исклучете го алатот и отстранете ја батеријата

### ПО УПОТРЕБА

- Исклучете го моторот пред да го спуштите алатот и проверете дали сите подвижни делови се комплетно застанати
- Откако ќе ја исклучите кружната пила, никогаш не запирајте ја ротацијата на сечилото на пилата со примена на странична сила врз неа

### БАТЕРИИ

- Обезбедената батерија е делумно наполнета (за да се обезбеди целосен капацитет на батеријата, целосно наполнете ја батеријата во полначот на батеријата, пред за првпат да го употребите вашиот електричен алат)
- Користете ги исклучиво следниве батерии и полначи со овој алат
  - Батерија SKIL: BR1 \*31\*\*\*\*
  - Полнач SKIL: CR1 \*31\*\*\*\*
- Оштетената батерија не треба и понатаму да се користи; треба да се замени
- Не расклопувајте ја батеријата
- Никогаш не изложувајте ги на дожд алатот/ батеријата
- Дозволена температура на околината (алатка/ полнач/батерија):
  - при полнење 4...40°C
  - при работа -20...+50°C
  - при складирање -20...+50°C

### ОБЈАСУВАЊЕ НА СИМБОЛИТЕ ЗА АЛАТОТ/ БАТЕРИЈАТА

- 3 Пред употреба прочитајте го прирачникот за употреба
- 4 Батериите може да експлодираат ако се изложат на оган, па затоа никако не палете ја батеријата
- 5 Секогаш чувајте ги алатот/полначот/батеријата на места со температура пониска од 50°C
- 6 Не фрлајте ги електричните алати и батериите заедно со домашниот отпад

## УПОТРЕБА

- Полнење на батеријата
- ! **прочитајте ги безбедносните предупредувања и упатствата дадени со полначот**
- Вадење/ставање на батеријата ②
- Монтирање на сечилото за пилата ②
- ! **извадете ја батеријата од алатот**
- земете го шестоаголниот клуч А од складот В
- притиснете го копчето за заклучување на вретеното С и држете го додека го отстранувате резето на сечилото D со вртење на шестоаголниот клуч А ВО ПРАВЕЦ НА СТРЕЛКИТЕ НА ЧАСОВНИКОТ (= во истиот правец како и стрелката отпечатена на сечилото на пилата)
- ! **копчето за заклучување на вретеното С притиснете го само кога алатот целосно ќе застане**
- пуштете го копчето за заклучување на вретеното С
- отстранете ја прирабницата Е
- ! **проверете дали површините со стегите Н на прирабниците се целосно чисти и свртени кон сечилото**
- отворете го долниот штитник F со лостот G и држете го додека го поставувате сечилото за пилата со запците и стрелката коишто се отпечатени на сечилото насочени во ист правец како и стрелката на долниот штитник
- олабавете го долниот штитник F
- поставете ја прирабницата Е
- притиснете го копчето за заклучување на вретеното С и држете го притиснато додека го прицврстувате резот на сечилото со помош на шестоаголен клуч за 1/8 вртења по што треба да затегнете со прстите (така се осигурува лизгањето на сечилото на пилата кога ќе дојде до прекумерен отпор и оптеретување на моторот и повратен удар на пилата)
- пуштете го копчето за заклучување на вретеното С
- Подесување на длабочината на сечењето (0-66 мм) ⑦
- заради оптимален квалитет на сечењето, сечилото на пилата не би требало да биде подолго од 3 мм под работното парче
- разлабавете го копчето J
- подигнете/спуштете ја педалата K додека не ја подесите саканата длабочина за сечење, на скалата, со користење на индикаторот L
- затегнете го копчето J
- Индикатор за нивото на батеријата ⑧
- притиснете го копчето за индикаторот за нивото на батеријата AC за да се прикаже тековното ниво на батеријата ⑧a
- ! **ано по притиснање на копчето AC ⑧b почне да трепка индикаторот за најниско ниво на батеријата, тогаш батеријата е празна**
- ! **кога ќе почнат да трепкаат 2 нивоа на индикаторот на батеријата по притиснање на копчето AC ⑧c, батеријата не е во рамките на дозволеният опсег за работна температура**
- ЛЕД-светло ⑫ V
- ЛЕД-светлото автоматски се вклучува кога ќе се активира прекинувачот за вклучување/исклучување
- ! **нога започнува да трепка ЛЕД-светлото, се активира заштитата на батеријата (види**

- подолу)**
- Заштита на батеријата
- Алатот наеднаш се исклучува или не може да се вклучи, кога
- **оптоварувањето е преголемо** --> отстранете го оптоварувањето и почнете повторно
- **температурата на батеријата не е во рамките на дозволеният опсег на работна температура од -20 до +50°C-->** 2 нивоа на индикаторот за ниво на батеријата почнуваат да трепкаат кога ќе го притиснете копчето AC ⑧c; почекајте батеријата да се врати во рамките на дозволеният опсег на работна температура
- **батеријата е скоро празна (заштита од целосно празнење)** --> на индикаторот за нивото на батеријата ќе се прикаже ниско ниво на батеријата или ќе трепка за ниско ниво на батеријата ⑧b кога ќе притиснете на копчето AC; наполнете ја батеријата
- ! **не продолжувајте да притиснете на прекинувачот за вклучување/исклучување откако алатот автоматски ќе се исклучи; батеријата може да се оштети**
- Подесување на аголот на сечење (0-56°) ⑨
- разлабавете го лостот M
- навалувајте го алатот додека не го подесите саканиот агол на сечење на скалата, со користење на индикаторот N
- со сопирањето на наклонот од 45° P може бргу да се постави агол со наклон од 45°
- за да поставите агол со наклон поголем од 45°, ротирајте го сопирањето на наклонот од 45° P за да го извадите од индикаторот N
- затегнете го лостот M
- ! **при косо сечење, длабочината на сечењето не одговара на вредностите на прикажаната скала за длабочина на сечењето**
- Индикатор за подесување на линијата на сечењето Q ⑩
- за водење на електричниот алат низ саканата линија означена на работното парче
- за прав засек од 0° или за засек со наклон од 45° користете ја соодветната линија на индикаторот
- ! **широкиот дел на педалата би требало да стои на потпирачот на работното парче**
- ! **шибочината на сечењето се определува со широчината на запците на сечилото, а не со широчината на листот на сечилото**
- ! **секогаш најпрво изведете пробно сечење за да ја проверите вистинската линија на сечењето**
- Вшмукување прашина ⑪
- Прицврстете го адаптерот за правосмукалка R на пилата со завртката за глава на Phillips
- За користење на правосмукалка
- поврзете го цреводо за чистење на правосмукалката со адаптерот за правосмукалка R
- ! **никогаш не дозволувајте цреводо на правосмукалната да дојде во допир со долниот штитник или со операцијата на сечење**
- Вреќа за прашина
- наместете ја вреќата за прашина AD
- Работа со алатот
- ставете ја батеријата

- секогаш држете ја рачката S цврсто со едната рака, а рачката T држете ја цврсто со другата рака
- поставете го алатот со предниот крај на стапалото рамно на работното парче

**! проверете запците на пилата да не се заканиени во работното парче**

- вклучете ја машината прво со притискање на безбедносниот прекинувач W и потоа повлечете го прекинувачот за активирање Y

**! електричниот алат би требало да се наоѓа во полна брзина пред сечилото да дојде во допир со работното парче**

- долниот штитник F автоматски се отвара кога сечилото продира во работното парче (рочно отворете го долниот штитник со помош на лостот G, само за посебни видови засеци, како на пример за засеци со заронување)

**! не применувајте сила врз алатот (применете лесен и континуиран притисок за да избегнете прегревање на врвовите на сечилата)**

- по завршувањето на сечењето, исклучете го алатот со пуштање на прекинувачот Y

**! пред да го подигнете алатот од работното парче, проверете дали е дојдено до целосен пренин на работата на сечилото**

## СОВЕТИ ЗА ПРИМЕНА

- Добрата страна на работното парче секогаш вртете ја надолу, за да обезбедите минимално создавање на деланки
- Користете само остри сечила за пила од соодветен тип <sup>(13)</sup>
  - квалитетот на засекот се подобрува со бројот на запците
  - сечилата со карбиден врв остануваат остри 30 пати подолго од обичните сечила
- Напречни засеци/засеци по должината <sup>(14)</sup>

Напречните засеци или засеците по должина можат лесно да се изведат со страничната ограда Z.

  - усогласете ја водилката со индикаторот за подесување на линијата на сечењето Q од 0° на стапалото
  - вметнете ја страничната ограда Z низ отворите на двете страни на стапалото до саканата ширина и прицврстете ја со копчето AA
- **! осигурете се дека оградата за надолжно и напречно сечење не му пречи на слободното движење на долниот штитник и сечилото на пилата**
- Сечење со заронување <sup>(15)</sup>
  - поставете ја посакуваната длабочина на сечење и навалете го алатот напред со индикаторот за линијата за сечење Q израмнет со саканата линија за сечење означена на работното парче
  - отворете го долниот штитник F со користење на лостот G
  - непосредно пред сечилото да го допре работното парче, вклучете го електричниот алат и постепено спуштајте го задниот крај на алатот, со користење на предниот крај на нивото како показател
  - постепено движете го алатот надолу и напред - штом сечилото ќе продре во материјалот, пуштете го лостот G

**! никогаш не турнајте го алатот кон назад**

- Сечење на големи плочи <sup>(16)</sup>
  - потпрете ја плочата близу до засекот, на подот, основата или работната маса
- **! подесете ја длабочината на сечењето така што ќе сечете низ плочата, а не низ потпората**
  - во случај страничната ограда да не ја овозможува саканата широчина за сечење, со спрега или со клинец закачете рамно парче дрво на работното парче, како водилка, и користете ја левата страна на педалата со оваа водилка <sup>(17)</sup>
- Сечење со шина водилка <sup>(19)</sup> \*СТАНДАРДНО НЕ Е ВКЛУЧЕНА
  - Употребата на шина водилка овозможува прецизни, рамни, точни засеци, со наклон од 0° или 45°. Пред да го направите првиот пресек со шината водилката, гумениот раб мора да се прилагоди на кружната пила која се користи.
    - за рамен засек од 0°, усогласете ја страната со наклон од 0° на шината AE (или страната со наклон од 45° кога правите засек со наклон од 45°) со саканата линија на сечење означена на работното парче
    - цврсто прицврстете ја шината водилката AE на работното парче користејќи ги стегите за шината водилка AF <sup>(18)</sup> \*НЕ СЕ СТАНДАРДНО ВКЛУЧЕНИ
    - турнете ја пилата врз шината AE и свртете ги копчињата за прилагодување на отворот на водилката U во насока на стрелките на часовникот за да го минимизирате јазот помеѓу отворот во стапалото и подигнатото ребро на шината AE, и осигурете се дека пилата може слободно да се лизне на шината без да се ниша странично.
    - при поставување на длабочината на сечење земете ја предвид дебелина на шината водилка AE
    - водете ја пилата рамномерно со мала брзина низ крајот на шината
- За повеќе информации видете на [www.skil.com](http://www.skil.com)


## ОДРЖУВАЊЕ/СЕРВИСИРАЊЕ

- Овој алат не е наменет за професионална употреба
- Секогаш чувајте го алатот чист!
- Отстранете ја батеријата од алатот пред чистење
- Секогаш одржувајте ја областа околу долниот штитник F <sup>(2)</sup> чиста (отстранете ги прашината и деланките со раздување со компримиран воздух или со четка)
- Исклучете го сечилото на пилата веднаш по употребата (особено од смола и лепак)
- Доколку алатот и покрај внимателното работење и контрола некогаш откаже, поправката мора да ја изврши некој овластен SKIL сервис за електрични алати
  - во случај на примедба, испратете го алатот **нерасклопен**, заедно со сметкопотврдата, до вашиот продавач или најблискиот овластен SKIL сервис (адресите и сервисниот дијаграм на алатот се наведени на [www.skil.com](http://www.skil.com))
- Имајте предвид дека оштетувањето настанато заради преоптоварување или неправилно ракување со алатот не е опфатено со гаранцијата (видете на [www.skil.com](http://www.skil.com) или прашајте го продавачот за условите на гаранцијата на SKIL)



## ЗАШТИТА НА ЖИВОТНАТА СРЕДИНА

Само за земјите од ЕУ

- Не фрлајте ги електричните алати, дополнителната опрема и амбалажата заедно со домашниот отпад - според Европската Директива 2012/19/EЗ за отфрлање на електрична и електронска опрема и нејзина имплементација во согласност со националните закони, електричните алати кои го достигнале крајот на својот животен век мораат да бидат посебно собрани и да бидат вратени во еколошки компатибилен објект за рециклирање - симболот  ќе ве потсети на тоа, кога ќе дојде време да го отстраните
- ! **пред да се фрли батерија во отпад, заштитите ги нејзините полови со дебела лента за да се спречи краток спој**


## БУЧАВА / ВИБРАЦИИ

- Измерено во согласност со EN 62841, нивото на звучен притисок на овој алат е 91 dB(A) и нивото на звучна моќност е 102 dB(A) (несигурност K = 3 dB), и вибрацијата \* (триакс векторна сума; несигурност K = 1,5 m/c<sup>2</sup>) \* сечење на дрво < 2,5 m/c<sup>2</sup>)
- Нивото на емитирање на вибрации кое е наведено на задниот дел на ова упатство е измерено во согласност со стандардизирано тест даден во EN 62841; може да се користи за да се спореди еден алат со друг, и како првична оценка за изложеноста на вибрации кога се користи алатот за споменатите примени
- користењето на алатот за разни примени, или со различна или неправилно чувана дополнителна опрема, може да доведе до значајно зголемување на нивото на изложеност
- кога алатот е исклучен или кога алатот е вклучен но не врши некаква работа, може да дојде до значително намалување на нивото на изложеност
- ! **заштитете се од ефектите на вибрациите преку одржување на алатот и неговата дополнителна опрема, одржување на топлината на вашите раце, и организирање на вашата работа**

AL

**Sharrë rrethore me bateri 3571  
pa karbonçina**

### HYRJE

- Ky mjet është bërë për prerje gjatësore dhe tërthore të drurit me prerje të drejta, si dhe prerje me kënde deri në 56°
- Ky mjet nuk është bërë për përdorim profesional
- Lexoni dhe ruani këtë manual të përdorimit 

### TË DHËNAT TEKNIKE


### ELEMENTET E PAJISJES

- A Çelësi heksagonal
- B Vendi i ruajtjes së çelësit heksagonal
- C Butoni i bllokimit të boshit
- D Buloni i diskut

- E Fllanxa
  - F Mbrojtësja e poshtme
  - G Leva për hapjen e mbrojtëses së poshtme
  - H Sipërfaqja e kapijes
  - J Çelës për vendosjen e thellësisë së sharrimit
  - K Pllaka e këmbës
  - L Treguesi i thellësisë së prerjes
  - M Levë për rregullimin e këndit të prerjes
  - N Treguesi i këndit të prerjes
  - P Ndalesa e pjerrët 45°
  - Q Treguesi i vijës së prerjes
  - R Përshtatësi i fshesës me korrent
  - S Doreza prapa
  - T Doreza përpara
  - U Çelësi për rregullimin e dorezës drejtues
  - V Drita LED
  - W Çelësi i sigurisë
  - X Hapësira e rregullatorit
  - Y Çelësi i aktivizimit
  - Z Rregullatori paralel
  - AA Çelës për rregullimin e drejtuesit paralel
  - AB Çengel
  - AC Treguesi i nivelit të baterisë
  - AD Qese pluhuri\*
  - AE Shina e rregullatorit\*
  - AF Kapëse e shinës së rregullatorit\*
- \* JO STANDARDE E PËRFSHIRË

## SIGURIA

### PARALAJMËRIME TË PËRGJITHSHME TË SIGURISË PËR PAJISJET ELEKTRIKE

 **PARALAJMËRIM: Lexoni të gjitha paralajmërimet, udhëzimet, ilustrimet dhe specifikimet e dhëna me këtë mjet pune.** Mosrespektimi i të gjitha udhëzimeve të renditura më poshtë mund të rezultojë në goditje elektrike, zjarr dhe/ose dëmtime të rënda.

**Ruani të gjitha paralajmërimet dhe udhëzimet për referencë në të ardhmen.**

Termi "pajisje elektrike" në paralajmërimet referohet pajisjes elektrike që përdoret nga priza (me kablo) ose pajisjes elektrike me bateri (me bateri).

#### 1) SIGURIA E ZONËS SË PUNËS

- a) **Mbajeni zonën e punës të pastër dhe të ndriçuar mirë.** Zonat e çrregullta ose të errëta janë një ftesë për aksidente.
- b) **Mos i përdorni pajisjet elektrike në situata me mundësi shpërthimi, si në prani të lëngjeve, gazeve ose pluhurave të djegshëm.** Pajisjet elektrike shkaktojnë shkëndija që mund të ndezin pluhurat ose avujt.
- c) **Mbajini fëmijët dhe personat e tjerë larg gjatë përdorimit të veglës së punës.** Tërheqja e vëmendjes mund të shkaktojë humbjen e kontrollit.

#### 2) SIGURIA ELEKTRIKE

- a) **Spinat e veglës së punës duhet të përputhen me prizën. Mos modifikoni kurrë spinën në asnjë mënyrë. Mos përdorni asnjë spinë përshtatëse me veglat e punës me tokëzim.** Spinat e pamodifikuara

dhe prizat përshtatëse do të zvogëlojnë rrezikun e goditjes elektrike.

- b) **Shmangni kontaktin trupor me sipërfaqe të tokëzuara si tuba, radiatorë, soba dhe frigoriferë.** Ka një rrezik më të madh të goditjeve elektrike nëse trupit është i tokëzuar.
  - c) **Mos ekspozoni veglat e punës në shi ose në kushte me lagështi.** Uji që hyn në veglën e punës do të rritë rrezikun e goditjes elektrike.
  - d) **Mos abuzoni me kordonin. Mos e përdorni kurrë kordonin për transportin, tërheqjen ose heqjen e spinës së veglës së punës.** Mabajeni kordonin larg nga nxehtësia, vaji, anët e mprehta ose pjesët që lëvizin. Kordonët e dëmtuar ose e bllokuar rrisin rrezikun e goditjes elektrike.
  - e) **Kur përdorni një vegël pune në mjedis të jashtme, përdorni një kordon zgjatues të përshtatshëm për përdorim në mjedis të jashtme.** Përdorimi i një kordoni të përshtatshëm për përdorime në mjedis të jashtme zvogëlon rrezikun e goditjes elektrike.
  - f) **Nëse është e pashmangshme përdorimi i një mjeti me korrent në një vend me lagështi, përdorni një pajisje mbrojtëse nga rryma (RCD).** Përdorimi i një RCD pakëson rrezikun e goditjeve elektrike.
- 3) SIGURIA PERSONALE**
- a) **Qëndroni në gatishmëri, shikoni se çfarë po bëni dhe përdorni gjykimin kur përdorni një vegël pune. Mos e përdorni një vegël pune kur jeni i lodhur ose nën ndikimin e ilaçeve, alkoolit ose mjekimit.** Një moment humbje e vëmendjes gjatë përdorimit të veglave të punës mund të shkaktojë dëmtime të rënda personale.
  - b) **Përdorni pajisje personale mbrojtëse. Mbani gjithmonë pajisje për mbrojtjen e syve.** Pajisjet mbrojtëse, si maska kundër pluhurit, këpucët që nuk rrëshqasin, kaskat ose pajisjet për mbrojtjen e veshëve për kushtet përkatëse do të zvogëlojnë dëmtimet personale.
  - c) **Parandaloni ndezjen e paqëllimshme. Sigurohuni që çelësi është në pozicionin fikur para se të lidhni burimin e energjisë dhe/ose baterinë, para se të merrni ose të transportoni pajisjen.** Transportimi i veglave të punës me gishtin në çelës ose aktivizimi i veglave të punës që kanë çelësin të ndezur është një ftesë për aksidente.
  - d) **Hiqni çdo çelës ose çelës përshtatës para ndezjes së veglës së punës.** Një çelës i lënë i lidhur me një pjesë rrotulluese të veglës së punës mund të shkaktojë dëmtime personale.
  - e) **Mos u zgjasni. Mbani një vendosje të mirë të këmbëve dhe një ekuilibër të mirë në çdo moment.** Kjo gjë bën të mundur një kontroll më të mirë të veglës së punës në situata të papritura.
  - f) **Vishuni në mënyrën e duhur. Mos vishni rroba të gjera ose bizhuteri. Mbajni flokët dhe rrobat larg nga pjesët e lëvizshme.** Rrobat e gjera, bizhuteritë ose flokët e gjata mund të kapen te pjesët e lëvizshme.
  - g) **Nëse janë ofruar pajisje për lidhjen e pajisjeve të mbledhjes dhe nxjerrjes së pluhurave, sigurohuni që ato të jenë të lidhura dhe të përdoren si duhet.** Përdorimi i mbledhjes së pluhurave mund të zvogëlojë rreziqet në lidhje me pluhurat.
  - h) **Mos lejoni që familjarizimi i fituar nga përdorimi i shpeshtë i veglave t'ju bëjë të ndiheni tepër të sigurt**

në vetvete dhe të shpërfillni parimet e sigurisë për pajisjet. Një veprim i pakujdesshëm mund të shkaktojë dëmtime të rënda në më pak se një sekondë.

- 4) PËRDORIMI DHE KUJDESI PËR VEGLËN E PUNËS**
- a) **Mos ushtroni forcë mbi veglën e punës. Përdorni veglën e punës të duhur për përdorimin tuaj.** Vegla e punës e duhur do të realizojë një punë më të mirë dhe më të sigurt dhe me shpejtësinë që ajo është e projektuar.
  - b) **Mos përdorni veglën e punës nëse çelësi nuk e ndez apo e fik.** Çdo vegël pune që nuk mund të kontrollohet me anë të çelësit është e rrezikshme dhe duhet të riparohet.
  - c) **Shkëputeni spinën nga burimi i energjisë dhe/ose hiqeni paketën e baterisë, nëse është e mundur, nga mjeti me korrent para se të bëni rregullime, ndryshoni aksesorët ose vendosni mjetet me korrent.** Këto masa parandaluese të sigurisë ulin rrezikun e ndezjes aksidentale të veglës së punës.
  - d) **Mbani veglat e punës larg fëmijëve dhe mos lejoni personat e pamësuar me veglën e punës ose këto udhëzime për përdorimin e pajisjes.** Veglat e punës janë të rrezikshme në duart e përdoruesve të patrajnuar.
  - e) **Mirëmbajni veglat me korrent dhe aksesorët. Kontrolloni për mospërshtatje ose bllokim të pjesëve lëvizëse, thyerje të pjesëve dhe gjendje të tjera që mund të ndikojnë në funksionimin e veglës së punës.** Nëse dëmtohet, riparoheni veglën e punës para përdorimit. Shumë aksidente shkaktohen nga veglat e punës jo të mirëmbajtura si duhet.
  - f) **Mabajni pajisjet prerëse të pastra dhe të mprehta.** Pajisjet e prerjes të mirëmbajtura dhe me anë të mprehta kanë më pak mundësi për t'u bllokuar dhe janë më të lehta për t'u kontrolluar.
  - g) **Përdorni veglat e punës, aksesorët dhe puntot, etj. në përputhje me këto udhëzime, duke marrë parasysh kushtet e punës dhe punën që do të kryhet.** Përdorimi i veglave për përdorime të ndryshme nga ato të përcaktuara mund të shkaktojë rreziqe.
  - h) **Mabajni dorezat dhe sipërfaqet ku mbaheni të thata, të pastra dhe pa vajra ose graso.** Dorezat dhe sipërfaqet ku mbaheni, kur janë të rrëshqitshme, nuk ju lejojnë ta menaxhoni dhe ta kontrolloni në mënyrë të sigurt pajisjen në situata të papritura.
- 5) PËRDORIMI DHE KUJDESI PËR VEGLËN ME BATERI**
- a) **Karikojeni vetëm me karikuesin e specifikuar nga prodhuesi.** Një karikues që është i përshtatshëm për një lloj baterie mund të krijojë rrezik për zjarr kur përdoret me një bateri tjetër.
  - b) **Përdorni vetëm mjetet me bateri që kanë bateri të krijuara në mënyrë të posaçme për to.** Përdorimi i çdo baterie tjetër mund të krijojë rrezik për dëmtime dhe zjarr.
  - c) **Kur bateria nuk është në përdorim, mbajeni larg nga objektet e tjera metalike si kapëset e letërës, monedhat, çelësat, gozhdët, vidat ose objektet e tjera të vogla metalike që mund të bëjnë lidhjen e një terminali me terminalin tjetër.** Bashkimi i terminalëve së bashku mund të shkaktojë djegie ose zjarr.
  - d) **Nëse kushtet janë të papërshtatshme, nga bateria mund të dalin lëngje; shmangni kontaktin.** Nëse kontakti ndodh padashur, shpëlajeni me ujë. Nëse lëngu ju bie në kontakt me sytë, kërkoni ndihmë

**mjekësore.** Lëngu që del nga bateria mund të shkaktojë irrim ose djegie.

- e) **Mos përdorni bateri ose mjete që janë dëmtuar ose modifikuar.** Bateritë e dëmtuara ose të modifikuara mund të shfaqin sjellje të paparashikuara, duke shkaktuar zjarr, shpërthim ose rrezik për lëndimin tuaj.
- f) **Mos e ekspozoni një pako baterish ose një vegël ndaj zjarrit ose temperaturës shumë të lartë.** Ekspozimi ndaj zjarrit ose një temperature mbi 130°C mund të shkaktojë shpërthim.
- g) **Ndiqni të gjitha udhëzimet për karikimin dhe mos e karikoni baterinë ose veglën jashtë gamës së temperaturës që specifikohet tek udhëzimet.** Karikimi i papërshtatshëm ose në temperatura jashtë gamën së specifikuar mund të dëmtojë baterinë dhe të rritë rrezikun për zjarr.
- 6) **SHËRBIMI**
- a) **Shërbimi i veglës së punës duhet të kryhet nga një person i kualifikuar për riparimet duke përdorur vetëm pjesë ndërrimi identike.** Kjo gjë do të sigurojë ruajtjen e sigurisë së veglave të punës.
- b) **Mos u mundoni asnjëherë t'i riparoni bateritë e dëmtuara.** Riparimi i baterive duhet të kryhet vetëm nga prodhuesi ose ofruesit e autorizuar të shërbimit.

## PARALAJMËRIME SIGURIE PËR SHARRAT RRETHORE ME BATERI

### 1) PROCEDURAT E PRERJES

- a) **RREZIK:** Mbajini duart larg nga zona e prerjes dhe lama. Mbajeni dorën e dytë te doreza ndihmëse, ose te trupit i motorit. Nëse të dy duart mbajnë sharrën, ato nuk mund të priten nga lama.
- b) **Mos u zgjasni poshtë materialit të punës.** Mbrojtësja nuk mund t'ju mbrojë nga lama poshtë materialit të punës.
- c) **Rregulloni thellësinë e prerjes sipas trashësisë së materialit të punës.** Poshtë materialit të punës duhet të duket më pak se një dhëmb i plotë i lamës.
- d) **Asnjëherë mos e mbani materialin që po pritet me duar ose me këmbë. Sigurojeni materialin e punës në një platformë të qëndrueshme.** Është e rëndësishme që ta mbështesni materialin si duhet për të minimizuar ekspozimin e trupit, bllokimin e lamës ose humbjen e kontrollit.
- e) **Mbajeni veglën e punës nga sipërfaqet e izoluar të kapjes, kur kryeni një veprim ku pajisja e prerjes mund të bjerë në kontakt me tela të fshehur ose kordonin e saj** (kontakti me një tel elektrik do të bëjë që pjesët metalike të ekspozuara të veglës së punës të përçjellin energjinë elektrike dhe të shkaktojnë goditjen e operatorit)
- f) **Kur grisin, përdorni gjithnjë një drejtues paralel ose një drejtues të drejtë anësor.** Kjo gjë përmirëson saktësinë e prerjes dhe zvogëlon mundësinë e bllokimit të lamës.
- g) **Përdorni gjithnjë disqe prerëse me maëdhësinë dhe formën e duhur (diamanti ose të rrumbullakëta) të vrimave.** Disqet që nuk përputhen me pajisjen montuese të sharrës do të punojnë në mënyrë josimetrike me qendrën, duke shkaktuar humbje të kontrollit.
- h) **Mos përdorni kurrë rondele ose bulona të dëmtuar**

**ose të pasaktë të diskut.** Rondelet dhe buloni i lamës janë projektuar posaçërisht për sharrën tuaj, për rendiment optimal dhe siguri në përdorim.

### 2) SHKAQET E GODITJES MBRAPSHT DHE PARALAJMËRIMET PËRKATËSE

- Goditja e kthimit është një reagim i papritur i një lame të shtrënguar, të bllokuar ose jo të ekuilibruar të sharrës, e cila bën që sharra e pakontrolluar të ngrihet lart duke u shkëputur nga materiali i punës në drejtim të operatorit
  - Kur disku kafshohet ose bllokohet fort nga gjerësia e prerjes, lama ndalon dhe reagimi i motorit e drejton njësinë me shpejtësi në drejtim të operatorit.
  - Nëse disku përdridhet ose pozicionohet keq te vendi i prerjes, dhëmbët në anën e pasme të diskut mund të ngulen në sipërfaqen e sipërme të drurit duke bërë që disku të hipë sipër copës së prerë dhe të kërcejë drejt operatorit
  - Goditja e kthimit është pasojë e përdorimit të gabuar të mjetit dhe/ose procedurave apo kushteve të gabuara të përdorimit, dhe mund të shmangët duke marrë masat paraprake të përshtatshme, siç tregohet më poshtë.
  - a) **Mbajeni fort sharrën me të dyja duart dhe pozicionojni krahët në mënyrë të tillë që t'u rezistoni forcave të goditjes mbrapsht. Poziciononi trupin tuaj në njërin anë të lamës, por jo në një vijë me lamën.** Goditja e kthimit mund të bëjë që sharra të kërcejë prapa por forcat e goditjes së kthimit mund të kontrollohen nga operatori nëse merren masat paraprake të duhura.
  - b) **Kur disku është e bllokuar ose kur ndërprisni prerjen për një arsye, lëshoni çelësin dhe mbajeni sharrën pa lëvizur brenda materialit deri sa lama të ndalojë plotësisht. Asnjëherë mos u përipiqni ta hiqni sharrën nga puna ose ta tërhiqni sharrën mbrapsht ndërkohë që disku është në lëvizje, përndryshe mund të kërcejë.** Kontrolloni dhe kryeni veprime korrigjuese për të eliminuar shkakun e bllokimit të lamës. Shmangni prerjen e gozhdëve ose vidave.
  - c) **Kur e ndizni përsëri sharrën te materiali, vendoseni sharrën në qendrë të pjesa e prerë dhe kontrolloni që dhëmbët e sharrës nuk janë në kontakt me materialin.** Nëse disku i sharrës bllokohet, mund të ngjitet lart ose të kërcejë nga materiali ndërsa sharra ndizet përsëri.
  - d) **Mbështetini panelet e mëdha për të pakësuar rrezikun që disku të kafshohet dhe të kërcejë. Panelet e mëdha kanë tendencën të epen nën peshën e tyre.** Mbështetëset duhet të vendosen poshtë panelit në të dy krahët në afërsi të vijës së prerjes pranë anës së panelit.
  - e) **Mos përdorni disqe jo të mprehta ose të dëmtuara.** Lamat jo të mprehta ose të vendosura jo mirë krijojnë një gjerësi të ngushtë të prerjes dhe shkaktojnë fërkim të tepërt, bllokim të lamës dhe goditje të kthimit.
  - f) **Levat bllokuese rregulluese të pjerrësisë dhe thellësisë së diskut duhet të jenë të shtrënguara dhe të sigurta para se të bëni prerjen.** Nëse rregullimi i diskut lëviz gjatë prerjes, ai mund të shkaktojë bllokim ose goditje të kthimit.
  - g) **Kini shumë kujdes kur sharroni në mure ekzistuese ose zona të tjera të panjohura.** Lama e futur mund të presë objekte që mund të shkaktojnë goditje të kthimit.
- ### 3) FUNKSIONI I MBROJTËSES SË POSHTME

- a) **Kontrolloni mbrojtësen e poshtme nëse mbyllet mirë para çdo përdorimi. Mos e vini sharrën në punë nëse mbrojtësja e poshtme nuk lëviz lirshëm dhe nuk mbyllet në çast. Mos e shtrëngoni apo lidhni asnjëherë mbrojtësen e poshtme në pozicionin e hapur.** Nëse sharra rrezohet padashur, mbrojtësja e poshtme mund të përthyeret. Ngrijeni mbrojtësen e poshtme me dorezën e tërheqjes dhe sigurohuni që lëviz lirshëm dhe nuk prek me lamën ose pjesë të tjera, në të gjitha këndet dhe thellësitë e prerjes.
- b) **Kontrolloni funksionimin e sustës së mbrojtëses së poshtme. Nëse mbrojtësja dhe susta nuk funksionojnë si duhet, ato duhet të riparohen para përdorimit.** Mbrojtësja e poshtme mund të punojë ngadalë për shkak të pjesëve të dëmtuara, depozitave ngjitëse ose grumbullimit të copëve.
- c) **Mbrojtësja e poshtme duhet të tërhiqet manualisht vetëm për prerjet e veçanta, si për shembull prerjet me zhytje dhe prerjet e përbëra.** Ngrijeni mbrojtësen e poshtme duke tërhequr dorezën menjëherë sapo doreza futet në material, doreza e poshtme duhet të lirohet. Për të gjitha sharrimet e tjera, mbrojtësja e poshtme duhet të funksionojë automatikisht.
- d) **Shikoni gjithmonë që mbrojtësja e poshtme të mbulojë lamën para se ta vendosni mbi tryezë ose dysheme.** Disku prerës i pambrojtur në lëvizje do të bëjë që sharra të ecë prapa duke prerë çdo gjë në rrugën e saj. Kini parasysh kohën që i duhet diskut prerës për të ndaluar pasi lëshohet çelësi.

## PARALAJMËRIMET SHITESË PËR SIGURINË

### TË PËRGJITHSHME

- Kjo pajisje nuk duhet të përdoret nga personat nën moshën 16 vjeç
- Kjo vegël nuk është e përshtatshme për prerje në lagështi
- **Mos punoni me materiale që përmbajnë azbest** (azbesti konsiderohet kancerogjen)
- Pluhurat nga materialet si boja me plumb, disa lloje drurësh, mineralesh dhe metalesh mund të jenë të dëmshme (kontakti ose thithja e pluhurave mund të shkaktojë reagime alergjike dhe/ose sëmundje respiratore për përdoruesin ose personat përreth); **mbani një maskë për pluhurat dhe punoni me një pajisje për heqjen e pluhurave kur mund të lidhet**
- Disa lloje pluhurash janë klasifikuar si kancerogjene (si pluhuri i lisit dhe i ahut) veçanërisht në ndërthurje me lëndët shtesë për kondicionimin e drurit; **mbani një maskë për pluhurat dhe punoni me një pajisje për heqjen e pluhurave kur mund të lidhet**
- Respektoni kërkesat kombëtare në lidhje me pluhurat për materialet me të cilat dëshironi të punoni
- Mos e përdorni këtë sharrë së bashku me një tavolinë sharre
- Hiqeni baterinë nga pajisja para se të bëni ndonjë rregullim ose të ndërroni ndonjë aksesori

### AKSESORËT

- **SKIL mund të garantojë funksionimin pa probleme të veglës vetëm kur përdoren aksesori origjinalë**
- Përdorni vetëm disqe sharre që përkasin me të dhënat karakteristike që tregohen në këto udhëzime përdorimi dhe që janë testuar dhe shënuar sipas EN 847-1
- Përdorni vetëm aksesori me një shpejtësi të lejuar

- që përshtatet të paktën me shpejtësinë më të lartë pa ngarkesë të pajisjes
- Përdorni vetëm disqe sharre me diametër minimal 184 mm, diametër maksimal 184 mm dhe vrimë aksi 16 mm
- Asnjëherë mos përdorni disqe sharrash prej High Speed Steel (HSS)
- Asnjëherë mos përdorni disqe fërkimi/fresibël me këtë disk

### PARA PËRDORIMIT

- Shmangni dëmtimet që mund të shkaktohen nga vidat, gozhdët dhe elementet e tjera në materialin e punës; hiqni ato para se të filloni punën
- Hiqni të gjitha pengesat mbi si dhe poshtë në rrugën e prerjes para se të filloni prerjen
- **Siguroni materialin e punës** (një material i shtrënguar me një pajisje shtrëngimi ose morsi mbahet në mënyrë më të sigurt se sa me dorë)
- **Përdorni detektorë përkatës për të gjetur linjat e fshehura të shërbimit ose telefononi kompaninë lokale të shërbimeve për ndihmë** (kontakti me linjat elektrike mund të shkaktojë zjarr ose goditje elektrike; dëmtimi i një linje gazi mund të shkaktojë një shpërthim; shpimi i një tubi uji do të shkaktojë dëmtim të pronës ose një goditje elektrike)

### GJATË PËRDORIMIT

- Niveli i zhurmës gjatë punës mund të kalojë 85 dB(A); mbani mbrojtëse për veshët
- Mos e përdorni kurrë pajisjen pa sistemin origjinal mbrojtës
- Mos u përipiqi në prisni materiale shumë të vogla
- Mos punoni me veglën mbi kokën tuaj
- Në rast të ndonjë bllokimi ose defekti elektrik ose mekanik, fikeni menjëherë mjetin dhe hiqeni baterinë.

### PAS PËRDORIMIT

- Kur ta largoni pajisjen, fikeni motorin dhe sigurohuni që të gjitha pjesët lëvizëse të kenë ndaluar plotësisht
- Pas fikjes së sharrës rrethore, mos e ndaloni kurrë rrotullimin e lamës së sharrës duke ushtruar një forcë anësore

### BATERITË

- Bateria e dhënë është pjesërisht e karikuar (për të siguruar kapacitet të plotë të baterisë, karikojeni baterinë plotësisht në karikuesin e baterisë para se ta përdorni mjetin për herë të parë)
- Përdorni vetëm bateritë dhe karikuesit e mëposhtëm me këtë mjet
  - Bateria SKIL: BR1\*31\*\*\*\*
  - Karikues SKIL: CR1\*31\*\*\*\*
- Mos e përdorni baterinë kur është dëmtuar; ajo duhet ndërruar.
- Mos e çmontoni baterinë
- Mos e ekspozoni mjetin/baterinë në shi.
- Temperatura e lejuar e ambientit (vegël/karikuesin/bateri):
  - kur karikohet 4...40°C
  - gjatë punës -20...+50°C
  - gjatë magazinimit -20...+50°C

### SHPJEGIMI I SIMBOLEVE NË VEGËL/BATERI

- ③ Lexoni manualin e udhëzimeve para përdorimit
- ④ Bateritë mund të shpërthejnë kur hidhen në zjarr, prandaj mos i digjni bateritë për asnjë arsye
- ⑤ Ruajeni veglën/karikuesin/baterinë në vende ku temperatura nuk i kalon 50°C
- ⑥ Mos i hidhni veglat elektrike dhe bateritë së bashku me mbeturinat shtëpiake

## PËRDORIMI

- Karikimi i baterisë  
**! Lexoni paralajmërimet dhe udhëzimet e sigurisë të dhëna me karikuesin**
- Heqja/instalimi i baterisë ②
- Montimi i lamës së sharrës ②  
**! hiqeni baterinë nga mjeti**
  - merrni çelësin gjashtëkëndor A nga vendi B
  - shtypni butonin e kyçjes së aksit C dhe mbajeni ndërsa hiqni butonin e diskut D duke rrotulluar çelësin hekzagon A NË DREJTIM TË KUNDËRT TË AKREPAVE TË ORËS (= në të njëjtin drejtim që tregohet me shigjetë në diskun e sharrës)**! shtypni butonin e kyçjes së aksit C vetëm kur mjeti është i ndaluar**
  - lironi butonin e kyçjes së aksit C
  - hiqni flanaxhën E**! sigurohuni që sipërfaqet e kapjes H ose flanaxhat të jenë komplet të pastra dhe të drejtohen te disku**
  - hapni mbrojtësen e poshtme F me levën G dhe mbajeni ndërsa montoni diskun me dhëmbë, dhe shigjeta e printuar në diskun tregon të njëjtin drejtim si shigjeta në mbrojtësen e poshtme
  - lironi mbrojtësen e poshtme F
  - montoni flanaxhën E
  - shtypni butonin e bllokimit të aksit C dhe mbajeni ndërsa shtrëngoni butonin e diskut me çelësin hekzagon 1/8 rrotullim pak më fort se shtrëngimi me gishta (bën të mundur rrëshqitje të diskut të sharrës kur has rezistencë të tepërt, duke pakësuar kështu mbingarkesën e motorit dhe kërcimin e sharrës)
  - lironi butonin e kyçjes së aksit C
- Rregullimi i thellësisë së prerjes (0-66 mm) ⑦
  - për prerje me cilësi optimale, disku nuk duhet të shkojë më shumë se 3 mm nën material
  - lironi çelësin U
  - ngrini/ulni këmbëzën K derisa të vendoset thellësia e dëshiruar e prerjes në matës duke përdorur treguesin L
  - shtrëngoni çelësin U
- Treguesi i nivelit të baterisë ⑧
  - shtypni butonin tregues të nivelit të baterisë AC për të shfaqur nivelin aktual të baterisë ③a**! kur niveli më i ulët i baterisë fillon të pulsojë pasi keni shtypur butonin AC ③b, bateria është bosh**  
**! kur 2 nivele të treguesit të baterisë fillojnë të pulsojnë pasi keni shtypur butonin AC ③c, bateria nuk është brenda temperaturës së lejuar të punimit**
- Drita LED ⑫ V  
Drita LED ndizet automatikisht kur aktivizoni çelësin e ndezjes/fikjes  
**! kur drita LED fillon të pulsojë, kjo do të thotë se është aktivizuar mbrojtja e baterisë (shiko më poshtë)**
- Mbrojtja e baterisë  
Mjeti fiket papritur ose nuk ndizet kur
  - ngarkesa është tepër e lartë --> hiqeni ngarkesën dhe ndizeni përsëri
  - temperatura e baterisë nuk është brenda nivelit të lejuar të temperaturës prej -20 deri në +50° --> 2 nivelet e treguesit të nivelit të baterisë fillojnë të pulsojnë kur shtypni butonin AC ③c; prisi derisa bateria të jetë brenda temperaturës së lejuar

- bateria është thuarje bosh (për t'u mbrojtur nga dëmtimi për shkak të shkarkimit të thellë) --> niveli i ulët i baterisë ose pulsimi për shkak të nivelit të ulët të baterisë ③b tregohet në treguesin e nivelit të baterisë kur shtypni butonin AC; karikoni baterinë
- ! mos vazhdoni të shtypni çelësin e ndezjes/fikjes pasi pajisja të fiket automatikisht; bateria mund të dëmtohet**
- Rregullimi i këndit të prerjes (0-56°) ⑨
  - lironi levën M
  - anojeni mjetin derisa të vendoset këndi i dëshiruar i prerjes duke përdorur treguesin N
  - Ndalesa e pjerrët 45° P ofron një vendosje të shpejtë të këndit të pjerrët 45°
  - për të vendosur një kënd të pjerrët më të madh se 45°, rrotulloni ndalesën e pjerrët 45° P për ta nxjerrë atë nga treguesi N
  - Shtrëngoni levën M.**! për prerje të pjerrëta, thellësia e prerjes nuk përpunet me vlerën në shkallën e thellësisë së prerjes**
- Treguesi i vijës së prerjes Q ⑩
  - për drejtimin e veglës në vijën e dëshiruar të prerjes të shënuar në materialin e punës
  - për një prerje të drejtë 0° ose të pjerrët 45° përdorni vijën e treguesit përkatës**! pjesa e gjerë e këmbëzës duhet të qëndrojë në pjesën e mbështetur të materialit**  
**! gjerësia e prerjes përcaktohet nga gjerësia e dhëmbëzave të lamës dhe jo nga gjerësia e trupit të lamës**  
**! bëni gjithmonë prerje provë në fillim për të verifikuar vijën aktuale të prerjes**
- Thithja e plhurave ⑪  
Vendosni adaptorin e fshesës me korrent R te sharra me vidën me kokë Phillips  
Për përdorimin e fshesës me korrent
  - lidhni tubin e fshesës me korrent te adaptori R i fshesës me korrent**! asnjëherë mos lejoni që tubi i fshesës me korrent të pengojë mbrojtësen e poshtme ose veprimin e prerjes**  
Qese pluhuri
  - vendosni qese pluhuri AD
- Përdorimi i mjedit
  - montoni baterinë
  - mbajeni gjithnjë dorezën S fort me një dorë dhe dorezën T fort me dorën tjetër
  - vendoseni mjetin me pjesën e përparme të këmbëzës rrafsh me materialin e punës**! sigurohuni që dhëmbëzat e sharrës të mos jenë në kontakt me materialin e punës**
  - ndizni mjetin duke shtypur së pari çelësin e sigurisë W dhe më pas tërhiqni çelësin e aktivizimit Y**! vegla duhet të arrijë shpejtësinë e plotë para të lama të hyjë në materialin e punës**
  - mbrojtësja e poshtme F hapet automatikisht kur disku futet në material (hapni mbrojtësen e poshtme manualisht duke përdorur levën G vetëm për prerjet e veçanta, si për shembull prerjet me zhytje)**! mos e sforconi pajisjen (ushtroni trysni të lehtë dhe në vazhdim për të shmangur mbinxehjen e majave të thikave)**



- pasi të përfundoni prerjen, fiken mjetin duke liruar çelësin Y

**! sigurohuni që disku të ketë ndaluar plotësisht para se ta hiqni veglën nga materiali i punës**

## KËSHILLË PËR PËRDORIMIN

- Vendoseni gjithnjë poshtë anën e mirë të materialit për të garantuar cilfosje minimale
- Përdorni vetëm disqe të mprehta dhe tipin e duhur të tyre <sup>13</sup>
  - cilësia e prerjes përmirësohet nga numri i dhëmbëve
  - disqet me maja karbidi qëndrojnë të mprehta deri në 30 herë më gjatë se disqet e zakonshme
- Prerje kryq/prerje gjatësore <sup>14</sup>
  - Prerjet kryq ose prerjet gjatësore janë të thjeshta me rregullatorin paralel Z.
  - poziciononi vizën drejtuese me treguesin Q të vijës së prerjes 0° në këmbëz
  - futni një rregullator paralel Z në vrimat në njërin anë të këmbëzës të gjerësia e dëshiruar dhe fiksojeni me çelësin AA

**! sigurohuni që mbrojtësja e çarjes të mos pengojë lëvizjen e lirshme të mbrojtëses së poshtme dhe diskut të sharrës**

- Prerja me zhytje <sup>15</sup>
  - caktoni thellësinë e dëshiruar të prerjes
  - anojeni mjetin përpara me treguesin e vijës së prerjes Q të pozicionuar te vija e dëshiruar e prerjes e shënuar në material
  - hapni mbrojtësen e poshtme F me levën G
  - menjëherë para se lama të futet në material, ndizni veglën dhe ulni gradualisht pjesën e poshtme prapa të veglës duke përdorur fundin e këmbëzës si pikën menteshë
  - lëvizni veglën gradualisht poshtë si dhe përpara
  - sapo disku të futet në material, lironi levën G

**! mos e tërhiqni kurrë veglën prapa**

- Prerja e paneleve të mëdhenj <sup>16</sup>
  - mbështeteni panelin afër prerjes mbi dysheme, tavolinë ose bango

**! caktoni thellësinë e prerjes në mënyrë që të prisni panelin por jo pjesën mbështetëse**

- në rast se shina paralele nuk lejon gjerësinë e dëshiruar të prerjes, fiksoni ose mbërtheni një copë druri të drejtë që t'ju shërbejë si shinë drejtuese, dhe përdorni anën e majtë të këmbës kundrejt kësaj shine <sup>17</sup>
- Prerja me një shinë drejtuese r<sup>19</sup> \*NUK ËSHTË E PËRFSHIRË SI STANDARD
  - Përdorimi i një shine drejtuese ofron prerje të drejta, të sakta, qoftë në 0° qoftë në kënd të pjerrët 45°.
  - Para se të bëni prerjen e parë me shinën drejtuese, buza e gomës duhet të përshtatet me sharrën rrethore të përdorur.
  - për një prerje të drejtë 0°, poziciononi anën e pjerrësisë 0° të shinës AE (ose anën e pjerrësisë 45° kur bëni prerje me pjerrësi 45°) me vijën e dëshiruar të prerjes të shënuar në material
  - fiksoni shinën drejtuese AE fort në materialin e punës duke përdorur kapëset e shinës drejtuese AF <sup>18</sup> \*NUK JANË TË PËRFSHIRA SI STANDARD
  - futeni sharrën në shinën AE dhe rrotulloni çelësat për të rregulluar hapësirën e rregullimit U në drejtim të

akrepave të orës për të minimizuar boshllëkun midis hapësirës në këmbëz dhe buzës së ngritur në shinën AE, dhe sigurohuni që sharra mund të lëvizë lirshëm në shinë pa u lëkundur anash.

- kur vendosni thellësinë e prerjes, mos harroni të lini vend për trashësinë e shinës drejtuese AE
- lëvizini sharrën në mënyrë të njëtrajtshme me ritëm të ngadaltë deri në fund të shinës
- Për më shumë informacion, shikoni [www.skil.com](http://www.skil.com)

## MIRËMBAJTJA / SHËRBIMI

- Ky mjet nuk është bërë për përdorim profesional
- Mbjajeni gjithnjë mjetin të pastër!
- **! hiqeni baterinë nga mjeti para se ta pastroni**
- Mbjajeni gjithnjë vendin pranë mbrojtëses së poshtme F <sup>2</sup> të pastër (hiqni pluhurin dhe cifat duke fryrë me ajër me kompresion ose me fuqë)
- Pastroni diskun e sharrës menjëherë pas përdorimit (veçanërisht nga ngjitësi me perzierje apo i thjeshtë)
- Nëse pajisja ka defekt pavarësisht kujdesit në prodhim dhe procedurat e provave, riparimi duhet të kryhet nga një qendër e shërbimit pas shitjes për veglat e punës të SKIL
  - dërgoni veglën të çmontuar së bashku me vërtetimin e blerjes të shitësi ose te qendra më e afërt e shërbimit të SKIL (adresat si dhe diagrami i shërbimit i veglës janë të paraqitura në [www.skil.com](http://www.skil.com))
- Kini parasysh se dëmtimet për shkak të mbingarkesës ose manovrimit të papërshtatshëm të veglës janë të përjashtuara nga garancia (për kushtet e garancisë së SKIL vizitoni [www.skil.com](http://www.skil.com) ose pyetni shitësin tuaj)

## MJEDISI

Vetëm për vendet e BE-së

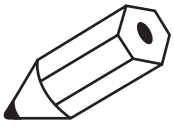
- Mos i hidhni mjetet elektrike, aksesoret dhe paketimet e tyre bashkë me mbeturinat e zakonshme shtëpiake
  - në respektim të Direktivës evropiane 2012/19/EC për pajisjet elektrike dhe elektronike si mbetje dhe zbatimin e saj në përputhje me ligjet kombëtare, pajisjet elektrike që kanë arritur në fund të jetëgjatësisë së tyre duhet të mblihdhen të ndara dhe të kthehen në një objekt riciklimi në përputhje me dëmtimin.
  - simboli <sup>6</sup> do t'ju kujtojë për këtë gjë kur të jetë nevoja për t'i hedhur
- **! para hedhjes mbroni terminalet e baterisë me ngjytës të fortë për të parandaluar qarkun e shkurtër**

## ZHURMA / VIBRIMI

- I matur sipas EN 62841, niveli i presionit të zhurmës së këtij mjeti është 91 dB(A) dhe niveli i fuqisë së zhurmës 102 dB(A) (toleranca K = 3 dB), dhe dridhja \* (shuma e vektorit triax; toleranca K = 1.5 m/s<sup>2</sup>) \* prerje e drurit < 2.5 m/s<sup>2</sup>
- Niveli i emetimit të vibrimit është matur në përputhje me një provë të standardizuar të dhënë në EN 62841; ajo mund të përdoret për të krahasuar një vegël me një tjetër dhe si një vlerësim paraprak i ekspozimit ndaj vibrimit kur përdorni pajisjen për proceset e përmendura
  - përdorimi i pajisjes për procese të ndryshme, ose me aksesore të ndryshëm dhe të mirëmbajtur keq, mund të rritë ndjeshëm nivelin e ekspozimit

- kohët kur pajisja është e fikur dhe kur është e ndezur por jo në punë, mund të ulin ndjeshëm nivelin e ekspozimit

**! mbroni veten nga efektet e vibrimit duke mirëmbajtur pajisjen dhe aksesorët e saj, duke i mbajtur duart e ngrohta dhe duke organizuar mënyrën tuaj të punës**



- استفاده از ریل خطکش برش‌های دقیق، مستقیم و درست را در برش‌های اریب - درجه یا ۵۴ درجه امکان‌پذیر می‌کند.
- قبل از انجام اولین برش با ریل خطکش، لبه لاستیکی باید با اره مدور مورد استفاده تطبیق داده شود.
- برای برش مستقیم - درجه، سمت اریب - درجه ریل AE (با سمت اریب ۵۴ درجه هنگام برش اریب ۵۴ درجه) را با خط برش دخواه که روی قطعه کار مشخص شده است، هم راستا کنید
- ریل خطکش AE را با استفاده از گیره‌های ریل خطکش AF روی قطعه کار محکم کنید (M) مطابق استاندارد نیست
- اره را روی ریل AE بلغزانید و دستگیره‌ها را برای تنظیم شیار خطکش U در جهت عقربه‌های ساعت بچرخانید تا شکاف بین شیار پایه و دنده برآمده روی ریل AE را به حداقل برسانید و مطمئن شوید که اره می‌تواند آزادانه و بدون تاب خوردن به طرفین روی ریل بلغزد.
- هنگام تنظیم عمق برش به یاد داشته باشید که ضخامت ریل خطکش AE را در نظر بگیرید
- اره را به طور یکنواخت با سرعت تغذیه آهسته به سمت انتهای ریل هدایت کنید
- برای اطلاعات بیشتر به [www.skil.com](http://www.skil.com) مراجعه کنید

## نگهداری / سرویس

- این ابزار برای مصارف حرفه‌ای مناسب نیست
- ابزار را همیشه تمیز نگهدارید!
- **پیش از تمیز کردن باید باتری را از ابزار جدا کنید**
- همیشه محیط اطراف حفاظ ختانی F (۱) را تمیز نگه دارید (گرد و غبار و تراشه‌ها را با هوای فشرده و یا یک برس پاک کنید)
- تیغه اره را بلافاصله پس از استفاده تمیز کنید (به خصوص از صمغ و چسب)
- اگر ابزار با وجود مراقبت‌های انجام‌شده در مراحل ساخت و آزمایش خراب شود، باید توسط مرکز خدمات پس‌ازفروش ابزارهای برقی SKIL تعمیر شود.
- ابزار را به صورت پانزنده همراه با رسید خرید به فروشنده یا نزدیک‌ترین مرکز خدمات رسانی SKIL بفرستید (آدرس‌ها به همراه نمودار نقشه های سرویس ابزار در [www.skil.com](http://www.skil.com) موجود است)
- توجه داشته باشید که خرابی و خسارت ناشی از اضافه‌بار یا کار کردن نادرست با ابزار مشمول ضمانت نخواهند بود (برای اطلاع از شرایط ضمانت SKIL به نشانی [www.skil.com](http://www.skil.com) مراجعه یا از فروشنده خود سؤال کنید)

## محیط زیست

- فقط برای کشورهای اتحادیه اروپا
- ابزارهای برقی، لوازم جانبی و بسته‌بندی آنها را نباید همراه با زباله‌های عادی خانگی دور انداخت
- با توجه به مصوبه اروپایی EC/19/۲۰۱۲ اروپا درباره لوازم برقی و الکترونیکی مستعمل و اجرای این مصوبه مطابق با قوانین کشوری، ابزارهای برقی که به پایان عمر مفید خود رسیده اند باید جداگانه جمع آوری شده و به یک مرکز بازیافت مناسب و سازگار با محیط زیست انتقال یابند
- نماد (۱) یادآور این مسئله در هنگام دور انداختن است
- **قبل از دور انداختن باتری حتماً باید روی پایه‌های باتری را با نوار چسب سنگین بپوشانید تا اتصال کوتاه نکند**

## صدا / ارتعاشات

- اندازه‌گیری‌ها بر اساس استاندارد EN ۱۴۸۲۶ انجام شد و میزان فشار صوتی این ابزار ۱۹ دسی‌بل (A) است و سطح قدرت صدا ۲۰۱ دسی‌بل (A) است (عدم قطعیت K = ۳ دسی‌بل) و ارتعاش \* (مجموع برادر سه محور: عدم قطعیت K = ۰.۱ متر بر مجذور ثانیه) \* برش چوب > ۵.۲ متر بر مجذور ثانیه
- میزان انتشار ارتعاشات بر اساس تست استاندارد شده‌ای که در EN ۱۴۸۲۶ معرفی شده است اندازه‌گیری گردید: از این ارقام می‌توان برای مقایسه یک ابزار با دیگری و به عنوان ارزیابی اولیه در معرض قرارگیری ارتعاشات هنگام کار با ابزار در کاربری‌های فوق استفاده کرد
- استفاده از ابزار برای کاربردی متفاوت، یا با لوازم و متعلقات متفاوت با لوازم و متعلقاتی که بد نگهداری شده‌اند، می‌تواند میزان در معرض قرارگیری را به‌طور قابل‌ملاحظه‌ای افزایش دهد
- مواقعی که ابزار خاموش است یا روشن است ولی کاری با آن انجام نمی‌شود، میزان در معرض قرارگیری به‌طور قابل‌توجهی کاهش می‌یابد
- **با نگهداری مناسب از ابزار و لوازم و متعلقات آن، گرم نگهداشتن دست‌های خود، و سازمان‌دهی طرح‌های کاری می‌توانید خود را در برابر اثرات ارتعاش محافظت کنید**

- چرخاندن کلید هکسی A در خلاف جهت حرکت عقربه‌های ساعت (= در همان جهتی که پیکان چاپ شده روی تیغه اهر نشان می‌دهد) نگه دارید
- ضامن قفل‌کننده شفت C را فقط زمانی که ابزار به توقف کامل رسیده است، فشار دهید
- ضامن قفل‌کننده شفت C را آزاد کنید
- فلنج E را جدا کنید
- مطمئن شوید که سطوح بیست H فلنچ‌ها کاملاً تمیز بوده و به سمت تیغه باشند
- حفاظ ختانی F را با اهرم G باز کرده و ضمن اینکه تیغه اهر را سوار می‌کنید
- حفاظ را نگه دارید. دندان‌های تیغه اهر و پیکان چاپ‌شده روی تیغه اهر باید با پیکان روی حفاظ ختانی هم‌جهت باشد
- حفاظ ختانی F را آزاد کنید
- فلنج E را سوار کنید
- ضامن قفل‌کننده شفت C را فشار دهید و ضمن اینکه بیج تیغه را با آچار آلن به اندازه 1/8 دور بیشتر از حدی که با دست سفت می‌شود سفت می‌کنید. آن را نگه دارید (با این کار از لغزش تیغه اهر هنگام روبرو شدن با مقاومت زیاد جلوگیری شده و بار وارده بر موتور و پس زدن اهر کاهش داده می‌شود)
- ضامن قفل‌کننده شفت C را آزاد کنید
- تنظیم عمق برش (1100 میلی‌متر) (V)
- برای بهینه شدن کیفیت برش، تیغه برش نباید بیشتر از 3 میلی‌متر به داخل قطعه کاری وارد شود
- کلید گردان L را شل کنید
- پایه K را بالای‌پایین بیاورید تا عمق برش دلخواه روی مقیاس با نشانگر L تنظیم شود
- کلید گردان L را سفت کنید
- نشانگر شارژ باتری (A)
- برای نمایش سطح کنونی باتری، دکمه نشانگر شارژ باتری AC را فشار دهید
- (A) a
- اگر با فشار دادن دکمه CA (b) نشانگر پایین‌ترین سطح باتری شروع به چشمک زدن می‌کند، باتری تخلیه شده است
- اگر 2 سطح از نشانگر باتری بعد از فشار دادن دکمه CA (c) شروع به چشمک زدن می‌کند، باتری در محدوده دمای کاری مجاز نیست
- چراغ LED (V) (12)
- هنگامی که کلید روشن/خاموش را فعال می‌کنید، چراغ LED بطور خودکار روشن می‌شود
- اگر سیستم محافظت باتری فعال شده باشد، چراغ DEL شروع به چشمک زدن می‌کند (بخش زیر را ملاحظه کنید)
- حفاظت از باتری
- ابزار به طور ناگهانی خاموش می‌شود یا روشن نمی‌شود، وقتی که بار وارده بیش از حد مجاز است -- بار را بردارید و دستگاه را مجدداً راه‌اندازی کنید
- دمای باتری در محدوده دمای کاری مجاز 2- تا 40+ درجه سانتی‌گراد نیست
- سطح از نشانگر شارژ باتری هنگام فشار دادن دکمه CA (c) شروع به چشمک زدن می‌کند؛ صبر کنید تا باتری به محدوده دمای کاری مجاز بازگردد
- باتری تقریباً خالی است (برای محافظت در برابر تخلیه عمیق) -- سطح باتری ضعیف یا سطح باتری ضعیف (A) b چشمک‌زن در صورت فشار دادن دکمه AC روی نشانگر سطح باتری دیده خواهد شد؛ باتری را شارژ کنید
- بعد از خاموش شدن خودکار ابزار، کلید روشن/خاموش را مرتب فشار ندهید؛ امکان دارد باتری آسیب بیند
- تنظیم زاویه برش (01-0 درجه) (A)
- اهرم M را شل کنید
- ابزار را کج کنید تا زاویه برش دلخواه روی مقیاس نشانگر N تنظیم شود
- متوقف‌کننده مورب 04 درجه P، تنظیم سریع زاویه ارب 04 درجه را میسر می‌کند
- برای تنظیم زاویه ارب بزرگتر از 04 درجه، متوقف‌کننده مورب 04 درجه P را بچرخانید تا از نشانگر N خارج شود
- اهرم M را سفت کنید
- عمق برش در برش‌های ارب با مقدار روی مقیاس عمق برش یکسان نخواهد بود
- نشانگر خط برش Q (10)
- برای هدایت ابزار در امتداد خط برش موردنظر که روی قطعه کار مشخص شده است
- برای برش مستقیم، درجه یا برش ارب 45 درجه از خط نشانگر مربوطه

- استفاده کنید
- بخش عریض پایه باید روی بخش تکیه داده شده قطعه کاری مستقر شود
- عرض برش به عرض دندان‌های تیغه اهر و نه عرض خود تیغه بستگی دارد
- همیشه برای به‌دست آوردن خط اصلی برش چند آزمایش برتدید
- مکش کرد و غبار (11)
- آداپتور جاروبرقی R را با سریج فیلیپس به اهر وصل کنید
- برای استفاده از جاروبرقی
- شلاگ جاروبرقی را به آداپتور جاروبرقی R وصل کنید
- هرگز نگذارید شلاگ جاروبرقی با حفاظ ختانی یا عمل برش تداخل پیدا کند
- کیسه خاکه
- کیسه خاکه AD را سوار کنید
- کار کردن با ابزار
- سوار کردن باتری
- همیشه دسته S را محکم با یک دست و دسته T را محکم با دست دیگر بگیرد
- ابزار را با انتهای جلوبین صاف پای روی قطعه کار قرار دهید
- مطمئن شوید که دندان‌های اهر در قطعه کاری درگیر نباشند
- برای روشن کردن ابزار ابتدا سوئیچ ایمنی W را فشار دهید و سپس کلید استارت Y را بکشید
- اول اجازه دهید ابزار به دور کامل برسد و بعد تیغه را وارد قطعه کاری کنید
- حفاظ ختانی F موقعی که تیغه اهر وارد قطعه کاری شود، به‌طور خودکار باز خواهد شد (حفاظ ختانی را به‌طور دستی با استفاده از اهرم G فقط برای اجرای برش‌های مخصوص مانند برش‌های عمیق باز کنید)
- به ابزار فشار نیاورید (فشار آرام و پیوسته وارد کنید تا از داغ شدن نوک تیغه جلوگیری شود)
- بعد از برش زدن، ابزار را با رها کردن ضامن Y خاموش کنید
- قبل از اینکه ابزار را از قطعه کاری جدا کنید، مطمئن شوید که تیغه به توقف کامل رسیده باشد
- توصیه‌های کاربردی
- همیشه طرف خوب قطعه را پایین بگذارید تا مطمئن شوید حداقل خرده جوب حاصل می‌شود
- فقط از تیغه‌های اهر تیز از نوع صحیح استفاده کنید (12)
- کیفیت برش با تعداد دندان‌ها بهبود می‌یابد
- تیغه‌هایی با لبه کاربیدی 02 برابر بیشتر از تیغه‌های عادی تیزی خود را حفظ می‌کنند
- برش‌های مقطعی/برش‌های طولی (13)
- انجام برش‌های مقطعی یا برش‌های طولی با خط‌کش موازی Z آسان است.
- خط راهنما را با نشانگر خط برش 0 درجه Q روی پایه تراز کنید
- خط‌کش موازی Z را از طریق شکاف‌ها در دو طرف پایه به عرض دلخواه وارد کنید
- و با دستگیره AA محکم کنید
- اطمینان حاصل کنید که حصار طولی با حرکت آزاد حفاظ ختانی و تیغه اهر تداخلی ایجاد نمی‌کند
- برش عمیق (14)
- عمق برش دلخواه را تنظیم کنید
- ابزار را به جلو کج کنید تا نشانگر خط برش Q روی خط دلخواه برش علامت‌گذاری شده روی قطعه کاری بیفتد
- حفاظ ختانی F را با اهرم G باز کنید
- درست قبل از اینکه تیغه اهر قطعه کار شود، ابزار را روشن کنید و به تدریج قسمت پشتی ابزار را با استفاده از انتهای جلوی پایه به عنوان نقطه لولای پایین بیاورید
- به تدریج ابزار را به سمت پایین و همچنین به جلو حرکت دهید
- به محض اینکه تیغه وارد جسم شد، اهرم G را رها کنید
- هرگز ابزار را عقب نکشید
- بریدن روی های بزرگ (11)
- صحنه نزدیک به برش روی زمین، میز یا میز کار به صورت تکیه‌گاه قرار دهید
- عمق برش را طوری تنظیم کنید که اهر فقط ورق را ببرد، نه تکیه‌گاه آن را
- در صورتی که حصار برش اجازه نمی‌دهد عرض برش دلخواه را بدست آورید، یک تکه چوب را به‌عنوان هدایت‌کننده به قطعه کاری یا گیره یا میخ متصل کرده، و از سمت چپ پایه در مقابل این راهنما (V) استفاده کنید
- کار با ریل خط‌کش (18) طبق استاندارد نیست





وصل در حالت خاموش قرار داشته باشد. در صورتیکه هنگام حمل دستگاه انگشت شما روی کلمه قطع و وصل باشد و دستگاه را در حالت روشن به برق برزید. ممکن است سوانح کاری پیش آید.

(ث) پیش از روشن کردن ابزار الکتریکی، هرگونه عملی با آچار تنظیم‌کننده را بردارید. آچار یا کلیدهایی که روی بخش‌های چرخنده ابزار الکتریکی قرار دارند می‌توانند باعث ایجاد جراحات شوند.

(ج) هنگام کار با ابزار پیش از آماده شدن خود را تکشید و تمایل ننشود. در همه حال جای پای محکم داشته باشید و تعادل خود را حفظ کنید. به این ترتیب می‌توانید ابزار الکتریکی را در وضعیت‌های غیرمنتظره بهتر خت کنترل داشته باشید.

(ح) لباس مناسب بپوشید. از پوشیدن لباس‌های گشاد و شل یا زیورآلات خودداری کنید. مو و لباس خود را دور از قطعات متحرک نگاه دارید. احتمال گیر کردن لباس‌های گشاد، زیورآلات یا موی بلند در قطعات متحرک دستگاه وجود دارد.

(خ) در صورتیکه می‌توانید وسایل متکش گرد و غبار و یا وسیله نصب را زنده را به دستگاه نصب کنید. باید مطمئن شوید که این وسایل نصب و به شیوه‌ای درست استفاده می‌شوند. استفاده از وسایل متکش گرد و غبار می‌تواند خطرات مربوط به غبار را کاهش دهد.

(د) اجازه ندهید آشنایی و تسلط حاصل از استفاده مکرر از ابزارها باعث شود حس کنید لازم نیست وقت داشته باشید و قوانین ایمنی ابزار را نادیده بگیرید. یک عمل از روی بی‌دقتی می‌تواند در کسری از ثانیه موجب جراحات شدید شود.

(ذ) استفاده و مراقبت از ابزار الکتریکی

(ا) وارد کردن فشار زیاد روی دستگاه خودداری کنید. بری هر کاری، از ابزار الکتریکی مناسب با آن استفاده کنید. به کار گرفتن ابزار الکتریکی مناسب باعث می‌شود بتوانید کار را بهتر و به شیوه‌ای ایمن‌تر و با سرعت طراحی‌شده برای آن انجام دهید.

(ب) اگر ابزار با کلید روشن و خاموش نمی‌شود، از آن استفاده نکنید. ابزار الکتریکی‌ای که امکان روشن و خاموش کردن آن با کلید وجود ندارد، خطرناک است و باید تعمیر شود.

(ت) قبل از تنظیم ابزار الکتریکی، تعویض متعلقات و یا کنار گذاشتن آن، دوشاخه را از برق کشید و ایا اگر می‌شود باتری را جدا کرد. بسته باتری آن را خارج کنید. رعایت این اقدامات پیشگیرانه ایمنی خطر روشن شدن ناخواسته ابزار الکتریکی را کاهش می‌دهد.

(ث) ابزار الکتریکی در صورت عدم استفاده از دسترس کودکان دور نگه دارید و اجازه ندهید افراد ناوارد و یا اشخاصی که این دفترچه راهنما را نخوانده‌اند، با این دستگاه کار کنند. قرار گرفتن ابزار الکتریکی در دست افراد ناوارد و بی تجربه خطرناک است.

(ج) از ابزار الکتریکی به خوبی نگهداری کنید. وجود هرگونه نامیزی یا گره‌خوردگی اجزای متحرک ابزار، شکستگی قطعات و هرگونه وضعیت دیگری که ممکن است بر اثر عملکرد ابزار تأثیر بگذارد را بررسی کنید. در صورت وجود آسیب، پیش از استفاده از ابزار آن را تعمیر کنید. بسیاری از اتفاقات به دلیل عدم نگهداری مناسب از ابزار الکتریکی روی می‌دهد.

(ح) ابزار برش را تیز و تمیز نگه دارید. ابزار برشی که خوب مراقبت شده و دارای لبه‌های تیز هستند، کمتر در قطعه کار گیر کرده و بهتر قابل‌هدایت می‌باشند.

(خ) ابزارهای الکتریکی، متعلقات و ابزار که روی دستگاه نصب می‌شوند و غیره را مطابق دستورات این جزوه راهنما به کار بگیرید و شرایط کاری و نوع کار را در نظر داشته باشید. استفاده کردن از ابزار الکتریکی برای کارهایی که برای آن طراحی نشده است می‌تواند بسیار خطرناک باشد.

(د) دست‌ها و سطوح دستگیرها را خشک، تمیز و عاری از روغن و گریس نگه دارید. در صورت لیز بودن دست‌ها و سطوح دستگیرها امکان گرفتن و کنترل ایمن ابزار در شرایط غیرمنتظره وجود نخواهد داشت.

(ذ) استفاده و مراقبت از ابزار باتری  
(ا) باتری‌ها را منحصراً در دستگاه‌هایی شارژ کنید که توسط سازنده توصیه شده باشند. شارژی که برای یک نوع بسته باتری مناسب است، ممکن است اگر برای شارژ بسته باتری‌ای دیگر استفاده شود خطر آتش‌سوزی ایجاد کند.

(ب) در ابزار الکتریکی، تنها از باتری‌هایی استفاده کنید که برای آن در نظر گرفته شده‌اند. استفاده از باتری‌های متفرقه می‌تواند منجر به جراحات و حریق گردد.

(ت) در صورت عدم استفاده از باتری باید آن را از گیره‌های فلزی، سکه، کلید، میخ، پیچ یا دیگر وسایل کوچک فلزی دور نگه دارید. زیرا این وسایل ممکن است باعث ایجاد اتصال شوند. ایجاد اتصال بین ترمینال‌های باتری می‌تواند باعث سوختگی یا ایجاد حریق شود.

(ث) استفاده سربوه از باتری می‌تواند باعث خروج مایعات از آن شود؛ در چنین شرایطی از دست زدن به آن خودداری کنید. در صورت تماس اتفاقی با آن، دست

خود را با آب بشویید. در صورت تماس با مایع با چشم، به پزشک مراجعه کنید. مایع خارج‌شده از باتری می‌تواند باعث التهاب پوست و سوختگی شود.

(ج) اگر یک بسته باتری یا ابزار آسیب دیده یا دستکاری شده است، نباید از آن استفاده کنید. باتری‌های آسیب‌دیده یا دستکاری‌شده ممکن است کارکرد غیرقابل‌پیش‌بینی‌ای داشته باشند و منجر به آتش‌سوزی یا انفجار شوند یا خطر جراحات ایجاد کنند.

(ح) بسته باتری یا ابزار را در معرض آتش یا دمای بسیار بالا قرار ندهید. قرار دادن در معرض آتش یا دمای بالاتر از ۰۲۱ درجه سانتیگراد می‌تواند باعث انفجار گردد.

(خ) تمام دستوراتالعمل‌های شارژ را رعایت کنید و بسته باتری یا ابزار را در خارج از محدوده دمای ذکرشده در راهنما شارژ نکنید. شارژ نادرست یا شارژ کردن در دمای خارج از محدوده ذکرشده می‌تواند به باتری آسیب برساند و خطر آتش‌سوزی را بالا ببرد.

(۱) خدمات  
(ا) برای سرویس ابزار الکتریکی به تعمیرکار ماهر رجوع کنید و تنها از وسایل یکسای یا یکسان استفاده کنید. این کار باعث خواهد شد که ایمنی ابزار الکتریکی شما تضمین گردد.

(ب) هرگز بسته‌های باتری آسیب‌دیده را سرویس نکنید. عملیات سرویس بسته‌های باتری باید فقط توسط سازنده یا مراکز خدماتی مجاز انجام شود.

#### هشدارهای ایمنی برای اهر های گرد قابل شارژ

(۱) روش های برش

(ا) **⚠️** خطر: دست‌ها را از ناحیه برش و تیغه دور نگه دارید. دست دیگر خود را روی دسته کمکی یا محافظه موتور نگه دارید. اگر اهر را با هر دو دست خود بگیرید. تیغه نمی‌تواند دست شما را ببرد.

(ب) به زیر قطعه کار دست نزنید. محافظ نمی‌تواند از شما در برابر تیغه زیر قطعه کار محافظت کند.

(ت) عمق برش را با ضخامت قطعه کار تنظیم کنید. کمتر از یک دندانه کامل از دندانه‌های تیغه باید در زیر قطعه کار قابل مشاهده باشد.

(ث) هرگز قطعه کار در حال برش را در دست یا روی پای خود نگه‌دارید. قطعه کاری را به جای ثابتی محکم کنید. پشتیبانی مناسب از کار برای به حداقل رساندن تماس بدنی، اتصال تیغه یا از دست دادن کنترل مهم است.

(ج) اگر احتمال می‌دهید ابزار برش در حین کار با سیم‌های خود ابزار یا هر سیم‌کشی غیر آشکار تماس پیدا کند، ابزار الکتریکی را فقط از دسته و سطوح عایق آن بگیرید (تاس با یک سیم دارای جریان "برق" باعث می‌شود که جریان "برق" به قسمت‌های فلزی آشکار ابزار الکتریکی نیز منتقل شده و برق گرفتگی ایجاد کند)

(ح) هنگام برش همیشه از خط‌کش موازی یا خط‌کش لبه صاف استفاده کنید. این کار دقت برش را بهبود می‌بخشد و احتمال اتصال تیغه را کاهش می‌دهد.

(خ) همیشه از تیغه‌هایی با اندازه و شکل سوراخ‌های میانی مناسب لوزی شکل در مقایسه با (گرد) استفاده کنید. تیغه‌هایی که با قسمت‌های محل قرارگیری در اهر تماس نداشته باشند خارج از مرکز بوده و کنترل ابزار را از دست شما خارج خواهند ساخت.

(د) هرگز از واشر یا پیچ تیغه معیوب یا ناقص استفاده نکنید. واشر و پیچ تیغه برای عملکرد بهینه و ایمنی کار مخصوص اهر شما طراحی شده‌اند.

(ذ) دلایل پس زدن ابزار و هشدارهای مربوطه

• پس زدن، واکنش ناگهانی به گیر کردن، سفت شدن یا تراز نبودن تیغه اهر گفته می‌شود که باعث می‌گردد اهر به‌طور غیرقابل‌کنترلی بلند شده و از قطعه کاری بیرون آمده و به سمت اپراتور برود.

• اگر تیغه یا بسته شدن شکاف گیر کند یا محکم شود، تیغه از حرکت می‌ایستد و واکنش حرکتی موتور باعث می‌شود که دستگاه با سرعت به سمت اپراتور برگردد.

• اگر تیغه در برش پیچ و تاب برداشته یا از تراز خارج شود، دندانه لبه پشتی تیغه می‌تواند وارد سطح بالایی چوب شده و باعث شود که تیغه از شکاف برش خارج شده و به سمت اپراتور جهش کند.

• پس از نتیجه استفاده نادرستی از ابزار برقی و/یا روش‌ها یا شرایط نادرست عملکرد است و می‌توان با انجام اقدامات احتیاطی مناسب که در زیر آورده شده است از آن جلوگیری کرد.

(ا) اهر با محکم یا هر دو دست گرفته و بازوهای خود را طوری قرار دهید تا در برابر نیروهای پس زنده مقاومت کنید. بدن خود را در دو طرف تیغه قرار دهید، اما نه در راستای تیغه. پس از می‌تواند باعث برش اهر به عقب شود. اما اگر اقدامات احتیاطی مناسب انجام می‌شود، اپراتور می‌تواند نیروهای پس‌زننده را کنترل کند.

(ب) هنگامی که تیغه گیر می‌کند یا به هر دلیلی برش قطع می‌شود، ضامن را رها

- وفقًا للتوجيه الأوروبي EC/91/2102 الخاص ببنفايات المعدات الكهربائية والإلكترونية، وتطبيقه بالتوافق مع القانون المحلي، يجب جميع الأدوات الكهربائية منتهية الصلاحية بشكل منفصل وإرسالها إلى أحد منشآت إعادة التصنيع المتوافقة مع البيئة
  - (b) - سينذرك الرمز ① بهذا عند الحاجة إلى التخلص من أية آلة
- ! قبل التخلص من البطارية، قم بحماية أطراف توصيل البطارية بشرط قوي لمنع حدوث دائرة قصر (فقل للدائرة)**

## الضوضاء/الاهتزاز

- عند القياس بالتوافق مع المعيار EN 14826، يكون مستوى ضغط صوت هذه الآلة هو 1٩ ديسيبل (A) ومستوى قوة الصوت هو ٢٠١ ديسيبل (A) (نسبة الشك  $K = 3$  ديسيبل). والاهتزاز \* (مجموع الكميات الموجهة ثلاثي المحاور: نسبة الشك  $K = 5,1$  م/ثانية<sup>٢</sup>) \* قطع الخشب > ٥,٢ م/ثانية<sup>٢</sup>
  - تم قياس مستوى انبعاثات الاهتزاز بالتوافق مع الاختبار المعياري المحدد في EN 14826: يمكن استخدامه لمقارنة آلة بالآلة أخرى وكتقييم تمهيدى للتعرض للاهتزاز عند استخدام الآلة في التطبيقات الموضحة
  - قد يؤدي استخدام الآلة في تطبيقات مختلفة أو مع ملحقات مختلفة أو ذات صيانة رديئة إلى زيادة مستوى التعرض بصورة كبيرة
  - إن الفلتر الزمنية التي يتم خلالها إيقاف تشغيل الآلة أو عندما تكون قيد التشغيل لكنها لا تؤدي أية مهام، قد تؤدي إلى تقليل مستوى التعرض بصورة كبيرة
- ! قم بحماية نفسك من تأثيرات الاهتزاز من خلال صيانة الآلة وملحقاتها. والحفاظ على يديك دايفتين وتنظيم أنماط العمل لديك**

FA

## يزرّاش سول شارب ريدرك هرا

٣٥٧١

### مقدمه

- این ابزار برای اجرای برش های مستقیم طولی و عرضی در چوب و نیز برش های مورب تا زاویه ١٥ درجه مناسب می باشد
- این ابزار برای مصارف حرفه ای مناسب نیست
- لطفاً این دفترچه راهنما را مطالعه کنید و نزد خود نگه دارید ②

### اطلاعات فنی ①

### اجزای ابزار ②

- Y کلید استارت
- Z حفاظ برش
- AA دستگیره برای تنظیم خطکش موازی
- BA قلاب
- CA نشانگر شارژ باتری
- DA کیسه خاکه\*
- EA ریل خطکش\*
- FA گیره ریل خطکش\*
- \* طبق استاندارد نیست

### ایمنی

راهنمایهای ایمنی عمومی برای ابزارهای الکتریکی  
**! هشدار تمامی هشدارهای ایمنی، دستورالعمل ها، تصاویر و مشخصات فنی ارائه شده همراه با این ابزار الکتریکی را مطالعه کنید در صورت عدم رعایت دستورالعمل‌های زیر خطر برق‌گرفتگی، آتش‌سوزی و/یا بروز آسیب‌های شدید وجود دارد.**

**همه هشدارها و راهنمایی‌ها را برای استفاده آتی نزد خود نگه دارید.**

در این هشدارها عبارت "ابزار الکتریکی" به معنی ابزارهای الکتریکی فاقد باتری (با سیم برق) و یا ابزارهای الکتریکی باتری دار (شارژی) است

- ایمنی محل کار
  - محیط کار باید تمیز و دارای روشنایی مناسب باشد. محیط کار نامرتب و کم نور می‌تواند باعث سوانح کاری شود.
  - با ابزار الکتریکی در محیط‌هایی که در آن خطر انفجار وجود دارد، مانند محیط‌های حاوی مایعات، گازها و غبارهای محترقه، کار نکنید. ابزارهای الکتریکی جرقه‌هایی ایجاد می‌کنند که ممکن است غبارها یا بخارها را مشتعل کنند.
  - در هنگام کار با ابزار الکتریکی، کودکان و اطرافیان را از محل کار دور نگاه دارید. حواس‌پرتی می‌تواند باعث شود کنترل از دستتان خارج شود.
  - ایمنی الکتریکی
    - دوشاخه‌های ابزار الکتریکی باید با پریز همخوانی داشته باشند. دوشاخه را هرگز و به هیچ صورتی تغییر ندهید. برای ابزار ارت‌شده (دارای سیم اتصال به زمین) از دوشاخه‌های تبدیل استفاده نکنید ابزار قدرت دوشاخه‌های بدون تغییر و پریزهای سازگار خطر برق‌گرفتگی را کاهش می‌دهند.
    - از تماس بدن یا سطوح متصل به زمین یا ارت دار مانع لوله، رادیاتور، اجاق گاز و یخچال اجتناب کنید. اگر بدن شما ارت شود یا به زمین متصل شود خطر برق‌گرفتگی افزایش می‌یابد.
    - ابزار الکتریکی را در معرض باران یا در محیط‌های مرطوب قرار ندهید. نفوذ آب به ابزار الکتریکی خطر برق‌گرفتگی را افزایش می‌دهد.
    - به سیم آسیب نرسانید. هرگز از سیم برای حمل، کشیدن یا بیرون آوردن دوشاخه ابزار الکتریکی از پریز استفاده نکنید. سیم ابزار را از گرما، روغن، لیمه‌های تیز و قطعات متحرک دور نگه دارید. سیم‌های آسیب‌دیده یا در هم پیچیده‌شده خطر برق‌گرفتگی را افزایش می‌دهند.
    - به هنگام کار با ابزار الکتریکی در محیط باز از کابل رابط مناسب برای محیط باز استفاده کنید. استفاده از سیم مناسب برای استفاده در محیط باز خطر برق‌گرفتگی را کاهش می‌دهد.
    - اگر کار با ابزار الکتریکی در محیطی مرطوب اجتناب‌ناپذیر است، از یک کلید حفاظتی جریان خطا و نشستی زمین (کلید قطع‌کننده اتصال با زمین) استفاده کنید لوازم محافظت شده. استفاده از کلید قطع‌کننده اتصال با زمین خطر برق‌گرفتگی را کاهش می‌دهد.
  - رعایت ایمنی اشخاص
    - هنگام کار با ابزار الکتریکی هشیار باشید. به کاری که می‌کنید دقت داشته باشید و از عقل سلیم خود استفاده کنید. به هنگام خستگی یا هنگام مصرف مواد، الکل یا دارو از ابزار الکتریکی استفاده نکنید. یک لحظه غفلت هنگام کار با ابزار الکتریکی می‌تواند سبب وارد آمدن جراحات‌های شدید شود.
    - از تجهیزات ایمنی شخصی استفاده کنید. همواره از عینک ایمنی استفاده کنید. استفاده از تجهیزات ایمنی مانند ماسک تنفسی گرد و غبار، کفش‌های ایمنی ضد لغزش، کلاه ایمنی و گوشی ایمنی متناسب با نوع کار با ابزار الکتریکی خطر مجروح شدن را تقلیل می‌دهد.
    - از روشن شدن ناخواسته ابزار جلوگیری کنید. پیش از اتصال به منبع برق و/یا بسته باتری، برداشتن یا حمل ابزار، اطمینان حاصل کنید که دکمه قطع و

- ٠٢-٠٥ إلى ٠٥٠ درجة مئوية <<- ٢ تبدأ مستويات مؤشر شحن البطارية في الوميض عند الضغط على الزر AC (A) انتظر حتى عودة البطارية إلى نطاق درجة حرارة التشغيل المقبولة
- شحن البطارية يكاد يكون فارغاً (للحماية من التفريغ العميق للشحن) <<- يتم عرض مستوى الشحن المنخفض للبطارية أو يوميض مستوى شحن البطارية المنخفض (B) من خلال مؤشر شحن البطارية عند الضغط على الزر AC، اشحن البطارية
- ! لا تستمر في الضغط على زر التشغيل/الإيقاف بعد توقف الآلة بشكل تلقائي؛ لأن البطارية قد تكون تالفة
- ضبط زاوية القطع (1٥٠٠ درجة) (٩)
- فك الذراع M
- قم بإمالة الآلة إلى أن يتم ضبط زاوية القطع المرغوبة على المقياس باستخدام المؤشر N
- يوفر موضع إيقاف مؤشر الشطب ٥٤ درجة ضيقاً سريعاً لزاوية الميل المشطوب بزاوية ٥٤ درجة
- لضبط زاوية ميل مشطوب أكبر من ٥٤ درجة، قم بتدوير موضع إيقاف مؤشر الشطب ٥٤ درجة لإخراجها من المؤشر N
- اربط الذراع M
- ! عند القطع بميل مشطوب، فإن عمق القطع لا يتوافق مع القيمة الموضحة على مقياس عمق القطع
- مؤشر خط القطع Q (١٠)
- لتوجيه الآلة على امتداد خط القطع المطلوب الموضح على قطعة العمل للقطع المستقيم بزاوية ٠ درجة أو القطع بميل مشطوب بزاوية ٤٥ درجة، استخدم خط المؤشر المعني
- ! يجب أن يستقر الجزء المعرض من القدم على الجزء المدعوم من قطعة العمل
- ! يتحدد عمق القطع تبعاً لعرض أسنان الشفرة، وليس تبعاً لعرض جسم الشفرة
- ! قم دائماً بإجراء جأرب قطع في البداية للتحقق من خط القطع
- نشف الغبار (١١)
- قم بتثبيت مهاتري المنكسة الكهربائية R في المنشار باستخدام مسامير رأس فيليبس
- لاستخدام المنكسة الكهربائية
- قم بتوصيل خرطوم المنكسة الكهربائية بمهاتري المنكسة الكهربائية R
- ! لا تسمح مطلقاً بتداخل خرطوم المنكسة الكهربائية مع الواقى السفلي
- أول عملية قطع
- حقيبة الغبار
- تركيب حقيبة الغبار AD
- تشغيل الآلة
- ركب البطارية
- احرص دائماً على الإمساك بالقبض S بإحكام بإحدى يديك والمقبض T بإحكام باليد الأخرى
- ضع الآلة بحيث يكون الطرف الأمامي للقدم على قطعة العمل
- ! احرص على عدم احتشام أسنان المنشار في قطعة العمل
- قم بتشغيل الآلة عن طريق الضغط أولاً على مفتاح الأمان W، ثم سحب الزناد Y
- ! يجب أن تصل الآلة إلى كامل سرعتها قبل دخول الشفرة في قطعة العمل
- ينفتح الواقى السفلي F تلقائياً عند دخول شفرة المنشار في قطعة العمل (يمكنك فتح الواقى السفلي يدوياً عن طريق استخدام الذراع G، وذلك فقط عند عمل قطوع خاصة، مثل القطع الغائر)
- ! لا تستخدم القوة المفرطة مع الآلة (استخدم ضغطاً خفيفاً ومستمرًا)
- لتجنب السخونة المفرطة خوفاً الشفرة)
- بعد إتمام عملية القطع، أوقف تشغيل الآلة عن طريق خري الزناد Y
- ! تأكد من توقف الشفرة عن الحركة تماماً قبل رفع الأداة عن قطعة العمل

## نصائح الاستخدام

- قم دائماً بتوجيه الجانب الجيد من قطعة العمل إلى أسفل لضمان أقل نائثر لفضيات النشر
- استخدم فقط شفرات المنشار الحادة من النوع الصحيح (١٣)
- جودة القطع تتحسن بحسب عدد الأسنان
- تبقى الشفرات ذات الأسنان المصنوعة من مادة الكريبد حادة حتى ٣٠ مرة أكثر من الشفرات العادية
- القطوع العرضية/القطوع الطولية (١٤)
- من السهل تنفيذ القطوع العرضية أو القطوع الطولية باستخدام دليل القطع

## الموازي Z.

- قم بحاذة دليل التوجيه مع مؤشر خط القطع بزاوية ٠ درجة Q الموجود بالفتحة
- أدخل دليل القطع الموازي Z عبر الفتحات في كلا جانبي القاعدة وصولاً إلى العرض المرغوب، وثبته باستخدام البكرة AA
- ! تأكد من أن حازج الشق لا يتداخل مع حرية حركة الواقى السفلي وشفرة المنشار
- القطع الغائر (١٥)
- اضغط عمق القطع المطلوب
- قم بإمالة الآلة للأمام بحيث يتحاذي مؤشر خط القطع Q مع خط القطع المطلوب الموضح على قطعة العمل
- افتح الواقى السفلي F باستخدام الذراع G
- قبل إدخال الشفرة في قطعة العمل مباشرة، قم بتشغيل الآلة واخفض الجزء الخلفي منها تدريجياً باستخدام الطرف الأمامي من القدم كمنطقة مفصلة
- حرك الآلة للأمام وللأمام تدريجياً
- بمجرد دخول الشفرة في المادة المراد قطعها، حرر الذراع G
- ! لا تقم مطلقاً بسحب الآلة للخلف
- قطع الألواح الكبيرة (١١)
- قم بدعم اللوح بالقرب من موضع القطع، سواء على الأرضية أو الطاولة أو منضدة العمل
- ! اضغط عمق القطع بحيث ينفذ القطع في اللوح وليس في الدعامة
- في حالة عدم تقديم دليل القطع الموازي لعمق القطع المرغوب، قم بتثبيت قطعة المنشب بمنشاك أو مسامير في قطعة العمل كدليل توجيهي.
- واستخدم الجانب الأيسر من القدم عكس اتجاه هذا الدليل (١٧)
- القطع باستخدام مسار التوجيه (١٥) \*مغير مرفق بشكل افتراضي
- استخدام مسار توجيه منحك قطعاً دقيقة ومستقيمة ومضبوطة، سواء كانت القطوع مائلة بزاوية ٠ درجة أو ٥٤ درجة.
- قبل إجراء القطع الأول باستخدام مسار التوجيه، جّب مواءمة الشفة المطاطية مع المنشار الدائري المستخدم.
- للقطع المستقيم بزاوية ٠ درجة، قم بحاذة الجانب المائل بزاوية ٠ درجة لسمار التوجيه AE (أو الجانب المائل بزاوية ٥٤ درجة عند إجراء قطع مائل بزاوية ٥٤ درجة)، مع خط القطع المطلوب المحدد على قطعة العمل
- ثبت مسار التوجيه AE بإحكام على قطعة العمل باستخدام منشاك مسار التوجيه (١٨) \* غير مرفقة بشكل افتراضي
- حرك المنشار على المسار AE، وطم بتدوير البكرات لضبط فتحة التوجيه U في اتجاه عقارب الساعة لتقليل الفجوة بين الفتحة في القدم والدعامة المرفوعة على المسار AE، وتأكد من أن المنشار يمكن أن يتحرك بحرية على مسار التوجيه من دون أن يتأرجح على الجانبين.
- عند ضبط عمق القطع، لا تنس أن تترك مساحة لسماعة مسار التوجيه AE
- قم بتوجيه المنشار بشكل منتظم بمعدل لتقليم بطيء حتى نهاية مسار التوجيه
- لمزيد من المعلومات، زر موقعنا www.skil.com

## الصيانة/الخدمة

- هذه الآلة غير معدة للاستخدام الاحترافي.
- حافظ دائماً على نظافة الآلة!
- ! أزل البطارية من الآلة قبل التنظيف
- احرص دائماً على إبقاء المنطقة المحيطة بالواقى السفلي F نظيفة (تخلص من الغبار والنشطاء عن طريق نفخه بصفحة الهواء المضغوط أو باستخدام فرشاة)
- نظف شفرة المنشار بعد الاستخدام مباشرة (ويجب تنظيفها من الراتين والصمغ بشكل خاص)
- إذا تعذر تشغيل الآلة على الرغم من الحذر الشديد في إجراءات التصنيع والاختبار، فيجب القيام بالإصلاحات بواسطة مركز خدمة ما بعد البيع للالات العاملة بالطاقة الخاصة بشركة SKIL
- قم بإرسال الآلة دون تفكيكها بالإضافة إلى إثبات الشراء إلى البائع أو أقرب مركز خدمة SKIL (العناوين بالإضافة إلى مخطط الخدمة متاح على www.skil.com)
- كن على علم بأن التلف الناتج عن زيادة التحميل أو التعامل مع الآلة بطريقة خاطئة سيتم استبعاده من الضمان المعروفة شروط ضمان SKIL انظر www.skil.com أو قم بسؤال التاجر)

## البيئة المحيطة

- لدول الاتحاد الأوروبي فقط
- لا تتخلص من الآلات الكهربائية والمحطات ومواد التغليف مع الفضيات المنزلية

ث) احرص دائما على تغطية الواقي السفلي للشفرة قبل إنزال المنشار على النضد أو الأرضية. يستتسبب الشفرة غير المحمية والنائلة لأسفل من جعل المنشار يتحرك للخلف. قاطعا أي شيء يعترض طريقه. كن على دراية بالوقت اللازم للشفرة حتى تتوقف بعد رفع الأضبع عن الفتحاح.

#### تحذيرات السلامة الإضافية

- عام
- لا يجب استخدام هذه الآلة من قبل الأشخاص الذين يقل عمرهم عن 16 عامًا
- هذه الآلة غير ملائمة للقطع الرطب
- لا تستخدم المنشار على مواد تشتمل على الأسبستوس (يعتبر الأسبستوس مادة مسرطنة)
- الغبار الناتج من المواد كالتلّاء الذي يحتوي على رصاص وبعض أنواع الأخشاب والمعادن والمكونات المعدنية قد يكون ضارًا (ملاصقة أو استنشاق الغبار قد تتسبب في إصابة المشغل أو من يجاوره بأمراض الحساسية وأو أمراض الجهاز التنفسي).
- قم بإرتداء قناع للغيبار مع العمل باستخدام جهاز شفط للغيبار. طالما أمكن توصيله

- ثمة أنواع معينة من الغبار تُصنّف على أنها مواد مسببة للسرطان (مثل غبار خشب البليوط والزنان) خاصة عند استخدامها مع مواد مضافة لعلاج الخشب؛ قم بإرتداء قناع للغيبار مع العمل باستخدام جهاز شفط للغيبار. طالما أمكن توصيله
- التزم بالمتطلبات الوطنية الخاصة بالغيبار عند العمل باستخدام المواد المطلوبة
- لا تستخدم هذا المنشار مع منضدة النشر
- احرص على إزالة البطارية من الآلة قبل إجراء أي عمليات ضبط أو تغيير على أي من الملحقات

#### الملحقات

- تتضمن SKIL التشغيل السلس للآلة عند استخدام الملحقات الأصلية فقط
- استخدم فقط شفرات المنشار التي تتوافق مع بيانات المواصفات الموضحة في تعليمات التشغيل هذه والتي تم اختبارها ووسمها كمنتج متوافق مع المعيار EN 1-VEA
- استخدم فقط الملحقات بالسرعة المسموح بها. والتي توافق على الأقل أعلى سرعة للآلة بدون حمل
- لا تستخدم سوسو شفرات المنشار التي يبلغ قطرها 481 مم بحد أدنى و 481 مم بحد أقصى. وقطر فتحة عمود دوران تبلغ 11 مم
- لا تستخدم أبدا شفرات المنشار المصنوعة من الصلب المخصص للثقب على سرعة عالية (HSS)
- لا تقم مطلقًا باستخدام أقراص التخليخ/القطع مع هذه الآلة

#### قبل الاستخدام

- لتجنب التلف الذي قد تتسبب فيه البراهي والمسامير والعناصر الأخرى الموجودة في القطعة التي تعمل بها. قم بفكهم قبل بدء العمل.
- قبل بدء القطع. قم بإزالة جميع العوائق التي توجد أعلى وأسفل مسار القطع
- ثبت قطعة العمل (القطعة التي يتم تثبيتها) بمعدات تثبيت أو في منجلة تكون ثابتة بشكل أكثر أمانًا من إمساكها باليد)
- استخدم كاشفات ملائمة للعثور على خط المرافق الخفي أو اطلب شركة المرافق المحلية للحصول على مساعدة (التلامس مع خطوط إمداد الكهرباء قد يؤدي إلى حدوث حريق أو صدمة كهربائية؛ وتلف خط الغاز قد يؤدي إلى حدوث انفجار؛ واختراق أنابيب المياه سيتسبب في حدوث ضرر في الممتلكات أو صدمة كهربائية)

#### أثناء الاستخدام

- قد يزيد مستوى الضوضاء أثناء العمل عن ٥٨ ديسيبل(A). لذا قم بإرتداء واقيات للأذن
- يحظر نهائيًا استخدام الآلة بدون نظام واقيات الحماية الأصلي
- لا حاول العمل على القطع الصغيرة للغاية
- لا تستخدم الآلة فوق مستوى الرأس
- في حالة حدوث انحناس، أو خلل كهربائي أو ميكانيكي. أوقف تشغيل الآلة فورًا وأزل البطارية

#### بعد الاستخدام

- عند وضع الآلة جانبًا. أوقف تشغيل المحرك وتأكد من توقف جميع الأجزاء المتحركة بشكل تام
- بعد إيقاف تشغيل المنشار الدائري. لا تقم مطلقًا بإيقاف دوران شفرة المنشار باستخدام قوة خارجية عليها
- البطاريات
- البطارية المرفقة مشحونة جزئيًا لضمان الحصول على كامل طاقة البطارية. قم بشحن البطارية بالكامل من خلال المشاحن قبل استخدام الآلة للمرة الأولى)
- استخدم البطاريات والشواحن التالية فقط مع هذه الآلة

- بطارية BR: SKIL: ٣٠٠٠٠٠٠
- شاحن CR: SKIL: ٣٠٠٠٠٠٠٠
- لا تستخدم البطارية إذا تعرضت للتلف؛ ويجب استبدالها
- لا تقم بتفكيك البطارية بنفسك
- لا تقم بتعرض الآلة/البطارية للمطر
- درجة الحرارة المحيطة المسموح بها (الآلة/الشاحن/البطارية):
- أثناء الشحن ٤ إلى ٤٠ درجة مئوية
- أثناء التشغيل ٢٠٠ إلى ٥٠٠ درجة مئوية
- أثناء التخزين ٢٠٠ إلى ٥٠٠ درجة مئوية

#### شرح الرموز الموجودة على الآلة/البطارية

- ① اقرأ دليل التعليمات قبل الاستخدام
- ② قد تنفجر البطاريات عندما تتعرض للنار لذا لا تحرق البطارية لأي سبب
- ③ قم بتخزين الآلة/الشاحن/البطارية في أماكن لا تتجاوز درجة الحرارة فيها ٥٠ درجة مئوية
- ④ لا تتخلص من الآلات الكهربائية والبطاريات مع النفايات المنزلية

#### الاستخدام

- شحن البطارية
- اقرأ تحذيرات وتعليمات السلامة المرفقة مع الشاحن
- خلع تركيب البطارية ①
- تركيب شفرة المنشار ②
- أخرج مفتاح الأنتيك B من موضع التخزين
- اضغط على زر قفل عمود الدوران C وبتنه أثناء خلع مسمار الشفرة D عن طريق إدارة مفتاح الأنتيك عكس اتجاه عقارب الساعة (= في نفس اتجاه السهم المطبوع على شفرة المنشار)
- لا تقم برفع زر قفل عمود الدوران C إلا أثناء توقف الآلة عن العمل تمامًا
- حرر زر قفل عمود الدوران C
- اخلع الشفرة E
- تأكد من أن أسطح التثبيت H للشفرة نظيفة تمامًا وناحية الشفرة
- افتح الواقي السفلي F باستخدام الذراع G وبتنه بينما تقوم بتركيب شفرة المنشار بحيث تكون أسنن المنشار والسهم المطبوع على شفرة المنشار في نفس اتجاه السهم الموجود على الواقي السفلي
- حرر الواقي السفلي F
- قم بتركيب الشفرة E
- ادفع زر قفل عمود الدوران C وبتنه بينما تقوم بربط مسمار الشفرة بمفتاح الأنتيك حوالي ٨/١ دورة بعد استكمال الربط بالإصبع (فهذا يضمن تثبيت شفرة المنشار عند تعرضها لمقاومة زائدة أو عند تعرض المحرك لحمل زائد أو حدوث رد فعل ارتدائي)
- حرر زر قفل عمود الدوران C
- ضبط عمق القطع (١٦٠٠ مم) ⑤
- للحصول على أفضل جودة قطع. يجب الاعتماد شفرة المنشار لمسافة تزيد عن ٣ مم أسفل قطعة العمل
- فك البكرة ل
- ارفع/اخفض القدم K إلى أن يتم ضبط عمق القطع المرغوب على المقياس باستخدام المؤشر ل
- اربط البكرة ل
- مؤشر شحن البطارية ⑧
- اضغط على زر مؤشر شحن البطارية AC لعرض مستوى شحن البطارية الحالي
- a
- عند بدء مستوى الحد الأدنى لمؤشر البطارية في الوميض بعد الضغط على الزر CA (b). فهذا معناه أن البطارية فارغة الشحن
- عند بدء مستويين من مؤشر البطارية في الوميض بعد الضغط على الزر CA (c). فهذا معناه أن البطارية ليست في نطاق درجة حرارة التشغيل المسموح بها
- مصباح LED ⑨ فووت
- يضيء مصباح LED تلقائيًا عند تنشيط مفتاح التشغيل/الإيقاف
- عندما يبدأ مصباح DEL في الوميض. يتم تنشيط خاصية حماية البطارية (انظر أدناه)
- حماية البطارية
- تتوقف الآلة عن العمل بشكل مفاجئ أو لا يمكن تشغيلها في الحالات التالية
- الحمل زائد للغاية --> تخلف من الحمل وأعد التشغيل
- درجة حرارة البطارية ليست في نطاق درجة حرارة التشغيل المقبولة وهو

تخزين الآلات المجموعة بالطاقة. إجراءات السلامة الوقائية هذه قد من خطر تشغيل الآلة العاملة بالطاقة بشكل خاطئ.

تحت الآلات العاملة بالطاقة غير المستخدمة بعيداً عن متناول أيدي الأطفال ولا تسمح للأشخاص غير المتدربين على استخدام الآلات العاملة بالطاقة أو على هذه التعليمات بتشغيل الآلة. الآلات العاملة بالطاقة تكون خطيرة في أيدي الأشخاص غير المدربين.

حافظ على الآلات العاملة بالطاقة والمحطات. تحقق من عدم محاذاة الأجزاء المتحركة أو ربطها. أو وجود كسور في الأجزاء، أو أي حالة أخرى قد تؤثر على عمل الآلة. إذا كان هناك تلف، فقم بإصلاح الآلة العاملة بالطاقة قبل استخدامها. فالعديد من الحوادث يكون سببها الآلات التي لم تتم صيانتها.

احتفظ بالأدوات القاطعة حادة ونظيفة. الأدوات القاطعة التي تتم صيانتها كما ينبغي للاحتفاظ بحوافها القاطعة حادة نوع أقل عرضة للانحناء وسهل التحكم فيها.

استخدم الآلة والمحطات والقمع وما شابههم وفقاً لهذه التعليمات. مع الأخذ في الاعتبار ظروف العمل والأعمال التي سيتم تنفيذها. قد يؤدي استخدام الآلة في أعمال غير تلك المخصصة لها إلى حوادث خطيرة.

احتفظ بالمقبض وأسطح الإمساك جافة ونظيفة وخالية من الزيوت والشحوم. لأن المقبض وأسطح الإمساك المنزلة لا تنحك القدرة على التعامل والتحكم الآمنين في الآلة في المواقف غير المتوقعة.

استخدم الآلة العاملة بالبطارية والعناية بها  
أ) لا تعد شحن الآلة إلا باستخدام الشاحن المحدد بواسطة الشركة الصانعة. فالشاحن الملائم لنوع ما من مجموعات البطارية قد يتسبب في نشوب حريق إذا تم استخدامه مع مجموعة بطارية أخرى.

استخدم الآلات العاملة بالطاقة مع مجموعات البطاريات المخصصة لها فقط. لأن استخدام أي مجموعات بطارية أخرى قد يؤدي إلى التعرض لإصابات أو نشوب حريق.

عند عدم استخدام مجموعة البطارية، احتفظ بها بعيداً عن الأغراض المعدنية الأخرى مثل مشابك الأوراق أو العملات المعدنية أو المفاتيح أو المسامير أو البراغي أو الأغراض المعدنية الصغيرة الأخرى التي قد يتسبب في عمل دائرة قصر (فقل للدائرة) بين أقطاب البطارية. عمل دائرة قصر (فقل للدائرة) بين أطراف البطارية قد يتسبب في حروق أو نشوب حريق.

ت) في حالات التعامل السلي، قد يحدث ارتفاع للسوائل من البطارية: لا تلامسه. إذا حدثت ملامسة بشكل عرضي، فاغسلها بالماء. إذا لامس السائل العينين، فاطلب المساعدة الطبية على الفور. السائل المرتشح من البطارية قد يتسبب في حدوث التهاب في الجلد أو حروق.

ج) لا تستخدم مجموعة البطارية أو الآلة إذا كانا التالفين أو تم إدخال تعديلات عليهما. لأن البطاريات التالفة أو التي تم تعديلها قد تعمل بشكل غير متوقع، وهو ما قد يؤدي لنشوب حريق أو حدوث انفجار أو خطر التعرض لإصابة.

ح) لا تقم بتعرض مشابك البطارية أو الآلة للحريق أو درجات الحرارة الزائدة. التعرض لدرجات الحرارة الأعلى من ١٠٣ درجة مئوية قد يؤدي لحدوث انفجار.  
خ) اتبع تعليمات الشحن ولا تشحن مجموعة البطارية أو الآلة في نطاق درجة حرارة خارج النطاق المحدد في التعليمات. قد يؤدي الشحن غير المضبوط أو في درجات حرارة خارج النطاق المسموح به إلى تلف البطارية وخطر نشوب حريق.

١) الصيانة  
أ) ينبغي إجراء الصيانة على الآلة بواسطة فني إصلاح متخصص باستخدام قطع غيار أصلية مطابقة فقط. فهذا يضمن المحافظة على سلامة الآلة.  
ب) لا تقم بصيانة مجموعات البطارية التالفة بأي حال من الأحوال. بل ينبغي أن تكون صيانة مجموعات البطارية من خلال الشركة الصانعة أو مقدمي الخدمة المعتمدين فقط.

تدابير السلامة الخاصة بالمشابك الدائرية اللاسلكية

إجراءات القطع

أ) خطر: احتفظ باليدمين بعيداً عن منطقة القطع والشفرة. أبق يدك الأخرى على المقبض الإضافي أو هيكل المحرك، إذا كنت تمسك المنشار بكلتا اليدين. فلن تلحق بهما الشفرة.

ب) لا تضع يديك تحت القطعة التي تعمل عليها. لا يمكن للواق أن يحجب من الشفرة أسفل القطعة التي تعمل عليها.

ت) عدل عمق القطع بحيث يتناسب مع نمط القطعة التي تعمل عليها. ينبغي ألا يظهر أكثر من سن كامل من أسنان المنشار أسفل القطعة التي تعمل عليها.

ث) لا تمسك القطعة المراد قطعها بيديك أو بين ساقك أبداً، بل ضعها على منصة عمل ثابتة. من المهم دعم العمل كما ينبغي للحد من تعرض الجسم، أو انثناء الشفرة. أو فقد التحكم.

ج) امسك بالآلة العاملة بالطاقة من أسطح الإمساك المعزولة فقط، وذلك عند القيام بأعمال قد تتعرض آتة القطع من خلالها إلى التلامس مع أسلاك غير ظاهرة أو مع السلك الخاص بها (التلامس مع سلك تيار "جاري"، وهو ما سيحصد الأجزاء المعدنية المكشوفة بالآلة "مكهرة" ويتسبب في إصابة مشغل الآلة بصدمة كهربائية).

ح) عند عمل شق، استخدم دائماً دليل توجيه متوازي أو دليل توجيه على الحافة. يحسن ذلك من دقة القطع. ويحد من فرصة انثناء الشفرة.

خ) استخدم دائماً شفرات بحجم ومناسبتهم للوضع المقابل للمستدير) فتحات التعريشة. الشفرات غير المتوافقة مع مواضع تركيبها بالمنشار ستتحرك بشكل غير طبيعي متنسبة في فقد السيطرة.

د) لا تستخدم أبداً وردة أو مسمار شفرة تالف أو غير صحيح. وردة ومسمار الشفرة تم تصميمهما خصيصاً للمنشار، وذلك لتحقيق أقصى أداء وسلامة التشغيل.

ز) أسباب رد الفعل الارتدادي والتحذيرات ذات الصلة  
د) رد الفعل الارتدادي هو رد فعل مفاجئ عند انحسار أو انضغاط أو عدم محاذاة شفرة المنشار وهو ما يتسبب خروج المنشار عن السيطرة بالارتفاع لأعلى والخروج من القطعة التي تعمل عليها في اتجاه

ع) عند انحسار أو انضغاط الشفرة بشكل حاد بسبب الشق، فإن الشفرة تنهار ورد فعل الجرك يجعل الحوتة تنحرف بسرعة للخلف في اتجاه المستخدم

إذا صارت الشفرة منثنية أو غير محاذية في القطع، فإن الأسنان في الحافة الخلفية للشفرة قد تخرف في السطح العلوي للخشب مسببة قفز الشفرة خارج الشق وارتدادها للخلف في اتجاه المستخدم

د) رد الفعل الارتدادي يكون نتيجة لسوء استخدام الآلة العاملة بالطاقة. أو اتباع إجراءات أو شروط تشغيل غير صحيحة، ويمكن تجنبها باتخاذ الاحتياطات الملائمة كما هو موضح أدناه

أ) أمسك بالمقبض بإحكام بكلتا يديك على المنشار مع جعل ذراعيك في وضع مناسب لمقاومة قوى رد الفعل الارتدادي، اجعل جسمك على جانب من جانبي الشفرة، وليس في محاذاتها، قد يتسبب رد الفعل الارتدادي في أرجاع المنشار للخلف، ولكن يمكن التحكم في قوى رد الفعل الارتدادي بواسطة المستخدم إذا تم اتباع الاحتياطات الملائمة.

ب) عند انثناء الشفرة، أو عند إيقاف القطع لأي سبب من الأسباب، حرر الزر الزنبركي وأمسك بالمنشار بلا حراك في القطعة التي تعمل عليها حتى تتوقف الشفرة تماماً. لا تحاول أبداً إزالة المنشار من القطعة أو سحب المنشار للخلف بينما الشفرة تتحرك أو عند احتمالية حدوث رد فعل ارتدادي. تحقق من المشكلة واتخذ الإجراءات الصحيحة للتخلص من سبب انثناء الشفرة، تجنب قطع المسامير أو البراغي.

ت) عند معاودة العمل بالمنشار في القطعة، قم بتوسيط شفرة المنشار في الشق وتحقق من أن أسنان المنشار غير متشابكة في المادة. إذا كانت شفرة المنشار منثنية، فقد تتغير للأعلى أو ترتد للخلف من القطعة التي تعمل عليها بعد إعادة تشغيل المنشار.

ث) ادعم الألواح الكبيرة للحد من خطر انحسار الشفرة أو حدوث رد فعل ارتدادي. تميل الألواح الكبيرة إلى الانحناء بفعل وزنها. ينبغي وضع الدعائم تحت اللوح على كلا الجانبين، بالقرب من خط القطع أو بالقرب من حافة اللوح.

ج) لا تستخدم شفرات ضعيفة أو تالفة. الشفرات غير الحادة أو غير المضبوطة كما ينبغي قد ينشأ عنها شق ضيق، وهو ما يتسبب في احتكاك زائد وانثناء الشفرة وحدث رد فعل ارتدادي.

ح) ينبغي ربط ذراع عمق الشفرة وقفل تعديل الحافة المائلة وتأمينها قبل البدء بالقطع. إذا تغير وضع ضبط الشفرة أثناء القطع، فقد يتسبب ذلك في انثناء الشفرة وحدث رد فعل ارتدادي.

خ) كن حذراً زيادة عند القطع في الجوانب الحالية أو النطاقات غير النافذة الأخرى. قد تقطع الشفرة التالفة الأشياء التي قد يتسبب في حدوث رد فعل ارتدادي.

٣) وظيفة الواقي السفلي

أ) تحقق من إغلاق الواقي السفلي كما ينبغي قبل كل استخدام. لا تقم بتشغيل المنشار إذا كان الواقي السفلي لا يتحرك بحرية وينغلق بشكل فوري. لا تقم بتشيك أو ربط الواقي السفلي في الوضع المفتوح. إذا سقط المنشار على الأرض بشكل عرضي، فإن الواقي السفلي قد ينثنى. ارفع الواقي السفلي بالمقبض القابل للسحب، وتأكد من حركته بحرية عند عدم ملامسته للشفرة أو أي جزء آخر. في جميع روايا وأعماق القطع.

ب) تحقق من عمل زنبرك الواقي السفلي إذا لم يكن الواقي والزنبرك يعلمان كما ينبغي. فينبغي صيانتها قبل الاستخدام. قد يعمل الواقي السفلي ببطء بسبب الأجزاء التالفة أو التراكمت الصغيرة أو الرواسب المتراكمة.

ت) يمكن سحب الواقي السفلي للخلف يدوياً فقط لعمل القطع الخاصة مثل القطوع العميقة والمضغوطة المضاعفة. ارفع الواقي السفلي بسحب المقبض، وما أن تدخل الشفرة في القطعة، ينبغي تحرير الواقي السفلي مرة أخرى. جميع أعمال القطع الأخرى، ينبغي تشغيل الواقي السفلي تلقائياً.



## مقدمة

- هذه الآلة مخصصة للقطع الطولي والعرضي في الخشب مع عمل قطع مستقيمة بالإضافة إلى قطع زاوية حتى ٥٦ درجة
- هذه الآلة غير معدة للاستخدام الاحترافي.
- أقرأ دليل التعليمات هذا واحتفظ به (٣)

## ١) البيانات الفنية

## ٢) مكونات الآلة

- A مفتاح الأتكيه
- B موضع تخزين مفتاح الأتكيه
- C زر قفل عمود الدوران
- D مسمار الشفرة
- E شفة
- F الواقي السفلي
- G ذراع لفتح الواقي السفلي
- H سطح التثبيت
- J بكرة لضبط عمق النشر
- K القاعدة السفلية
- L مؤشر عمق القطع
- M ذراع لضبط زاوية القطع
- N مؤشر زاوية القطع
- P موضع إيقاف مؤشر الشطب ٥٤ درجة
- Q مؤشر خط القطع
- R مهايئ المكنتسة الكهربائية
- S المقيض الخلفي
- T المقيض الخلفي
- U بكرات لضبط فتحة التوجيه
- V مصباح DEL
- W مفتاح الأمان
- X فتحة التوجيه
- Y المفتاح الزنبركي
- Z دليل القطع المتوازي
- AA بكرة لضبط دليل القطع المتوازي
- BA خنطاف
- CA مؤشر شحن البطارية
- DA حقيبة الغبار\*
- EA مسار التوجيه\*
- FA مشبك مسار التوجيه\*
- \* ليست مرفقة بشكل افتراضي

## السلامة

## تذيرات السلامة العامة المتعلقة بالآلة العاملة بالطاقة

⚠️ تحذير: اقرأ جميع تحذيرات السلامة والتعليمات الرسوم التوضيحية والمواصفات المرفقة مع هذه الآلة. عدم اتباع جميع التعليمات الواردة أدناه قد يؤدي إلى حدوث صدمة كهربائية أو نشوب حريق أو التعرض للإصابة. أحدها أو جميعها.

احتفظ بجميع التحذيرات والتعليمات لرجوع إليها في المستقبل.

يشير مصطلح "آلة عاملة بالطاقة" في قسم التحذيرات إلى الآلة العاملة بالطاقة (الموصولة بسلك تيار) أو الآلة العاملة بالبطارية (غير الموصولة بسلك تيار).

- ١) سلامة منطقة العمل
- أ) حافظ على منطقة العمل نظيفة ومضاءة جيداً. حيث عادة ما تنسب المناطق المظلمة أو التي بها ركام إلى وقوع حوادث.
- ب) لا تقم بتشغيل الآلات العاملة بالطاقة في أجواء قابلة للانفجار. على سبيل

المثال في وجود سوائل أو غازات أو غبار قابلة للاشتعال. فقد تتسبب الآلات العاملة بالطاقة في صدور شرارة. والتي قد تتسبب في اشتعال الغبار أو الأبخرة القابلة للاشتعال.

ت) احتفظ بالأطفال والمشاهدين بعيداً عن موقع استعمال الآلة العاملة بالطاقة. حيث أن الإلهاء قد يجعلك تفقد السيطرة على الآلة.

## ٢) السلامة الكهربائية

أ) ينبغي أن يتوافق قابس الآلة العاملة بالطاقة مع مقبس التيار لا يجب إدخال تعديلات على القابس بأي حال من الأحوال. لا تستخدم أي قوابس مهايئة مع الآلات العاملة بالطاقة الموضحة. ستؤدي القوابس غير المعدّته والمقابس المتوافقة إلى الحد من خطر حدوث صدمة كهربائية.

ب) تجنب ملامسة الجسم لأسطح موصّرة مثل الأنابيب والمشعاع والمواقف

ت) لا تقم بتعرض الآلات العاملة بالطاقة للمطر أو الأجواء الرطبة. حيث سيؤدي الماء الذي يدخل إلى الآلة العاملة بالطاقة إلى زيادة خطر حدوث صدمة كهربائية.

ث) لا تعبت بسلك التيار. لا تقم أبداً باستخدام سلك التيار لحمل الآلة العاملة بالطاقة أو سحبها أو فصلها عن التيار. احتفظ بالسلك بعيداً عن مصادر الحرارة أو الزيت أو الجوف الحادة أو الأجزاء المتحركة. تؤدي أسلاك التيار التالفة أو المتشابكة إلى زيادة خطر حدوث صدمة كهربائية.

ج) عند تشغيل الآلة عاملة بالطاقة في مكان خارجي مفتوح. استخدم سلك تمديد ملائم للاستخدام الخارجي. استخدام سلك ملائم للاستخدام الخارجي يحد من خطر حدوث صدمة كهربائية.

ح) إذا كان لابد من تشغيل الآلة في مكان رطب. فاستخدم مصدر تيار محمي بقاطع تيار متبقي (DCR). يؤدي استخدام قاطع التيار المتبقي إلى الحد من خطر حدوث صدمة كهربائية.

## ٣) السلامة الشخصية

أ) ابق متنبهاً. وانتهبه جيداً لما تفعله. وكن عقلانياً عند تشغيل آلة تعمل بالطاقة. لا تستخدم أداة آلة بالطاقة وأنت مجهد أو تحت تأثير المخدرات أو الكحوليات أو الأدوية. قد تؤدي لحظة من عدم الانتباه أثناء تشغيل الآلات العاملة بالطاقة إلى حدوث إصابات شخصية خطيرة.

ب) استعن بمعدات الحماية الشخصية. وارنث دائماً أدوات حماية للعينين. سيؤدي استخدام أدوات الحماية كقناع الغبار أو أحذية السلامة المضادة للانزلاق أو القبعة الصلبة أو أدوات حماية السمع في ظروف مناسبة إلى الحماية من الإصابات الشخصية.

ت) ابع يد تشغيل الآلة غير المتعمد. احرص على أن يكون مفتاح الطاقة في وضع إيقاف قبل توصيل الآلة بمصدر التيار أو مجموعة البطاريات. أو التقاط الآلة أو حملها. قد يؤدي حمل الآلات العاملة بالطاقة وأصبعك على مفتاح التشغيل أو شحن الآلات العاملة بالطاقة ومفتاح التشغيل في وضع التشغيل إلى وقوع حوادث.

ث) أزل أي مفتاح تعديل أو مفتاح ربط قبل تشغيل الآلة العاملة بالطاقة. قد يؤدي ترك مفتاح ربط أو مفتاح عادي مركباً على جزء دوار بالآلة العاملة بالطاقة إلى وقوع إصابات شخصية.

ج) لا تقف في مكان تضطر له يدك بعيداً. قف وأنت ثابت ومتوازن في جميع الأوقات. وهو ما يسمح بتحكم أفضل في الآلة العاملة بالطاقة في الظروف غير المتوقعة.

ح) ارتد الملابس الملائمة. لا ترتد ملابس أو مجوهرات غير ثابتة. احتفظ بشعرك وملابسك بعيداً عن الأجزاء المتحركة. قد تعلق الملابس الفضفاضة أو المجوهرات أو الشعر الطويل في الأجزاء المتحركة.

خ) إذا تم تقديم أجهزة خاصة بتوصيل أدوات استخراج وجمع الغبار. فاحرص على توصيلها واستخدامها على النحو اللازم. قد يؤدي استخدام جمع الغبار إلى الحد من المخاطر المرتبطة به.

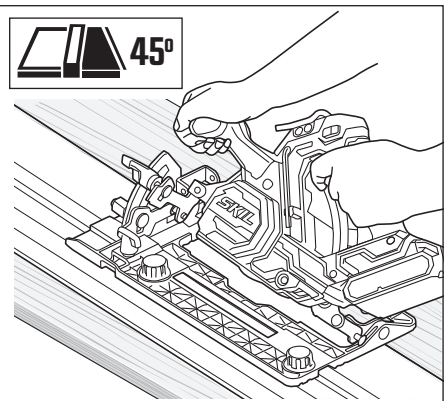
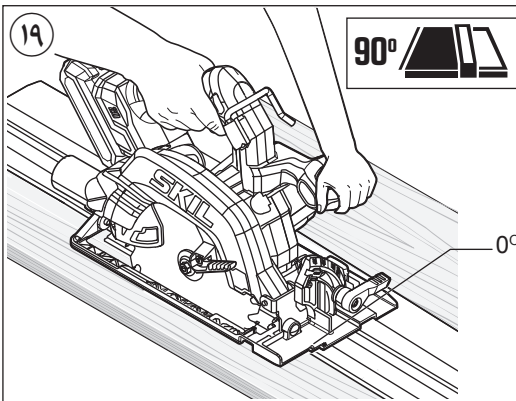
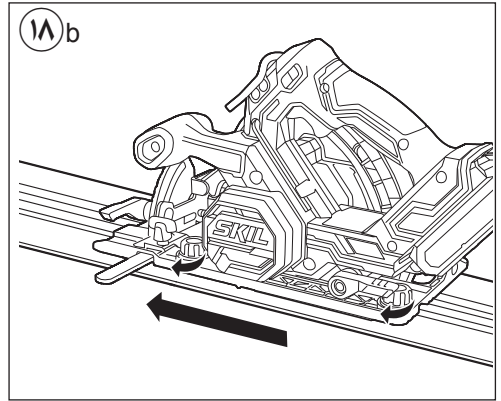
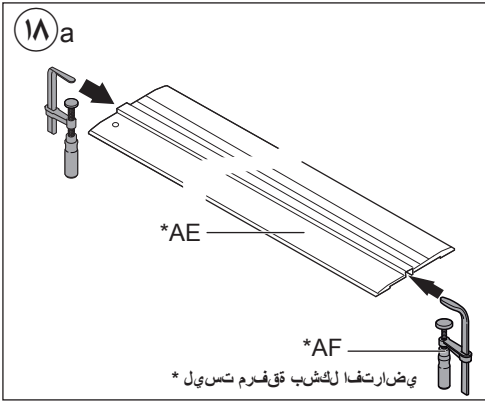
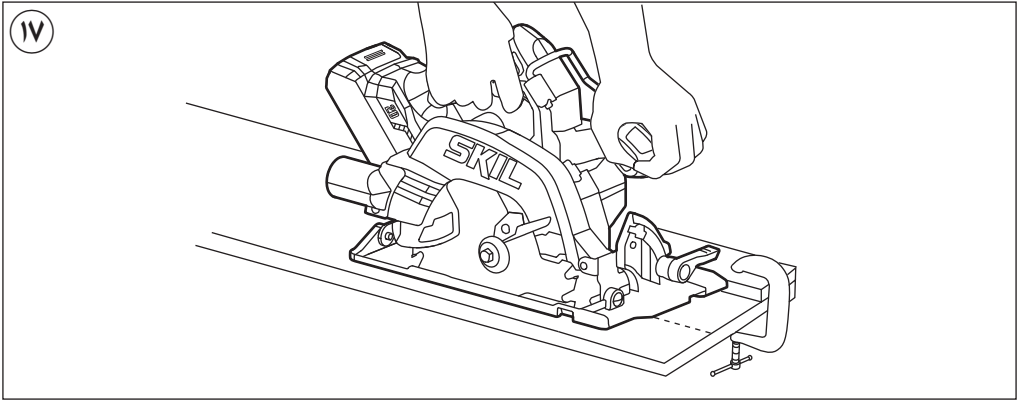
د) لا تدع الحجر المكتسبة من الاستخدام المتكرر للآلات يجعلك تتعامل دون الانتباه للآلات وتجاهل مبادئ السلامة المتعلقة بالآلة. فقد يتسبب أي إجراء غير مدروس في إصابات خطيرة في جزء من الثانية.

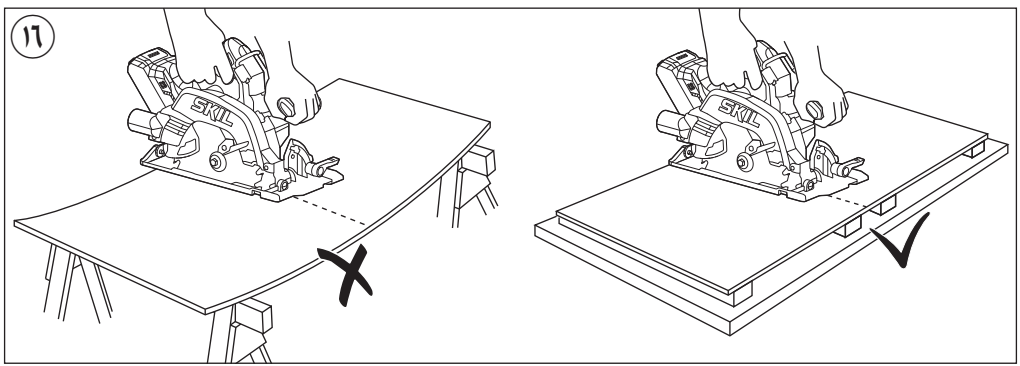
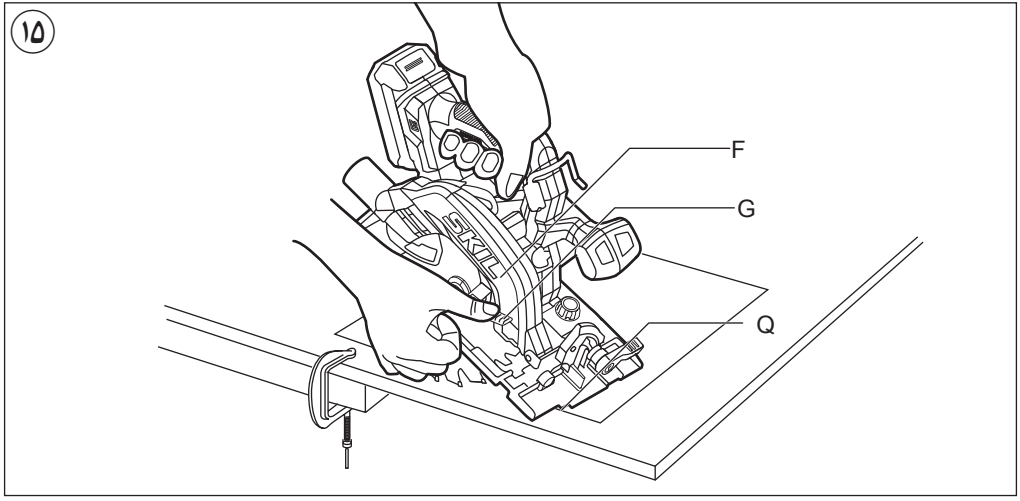
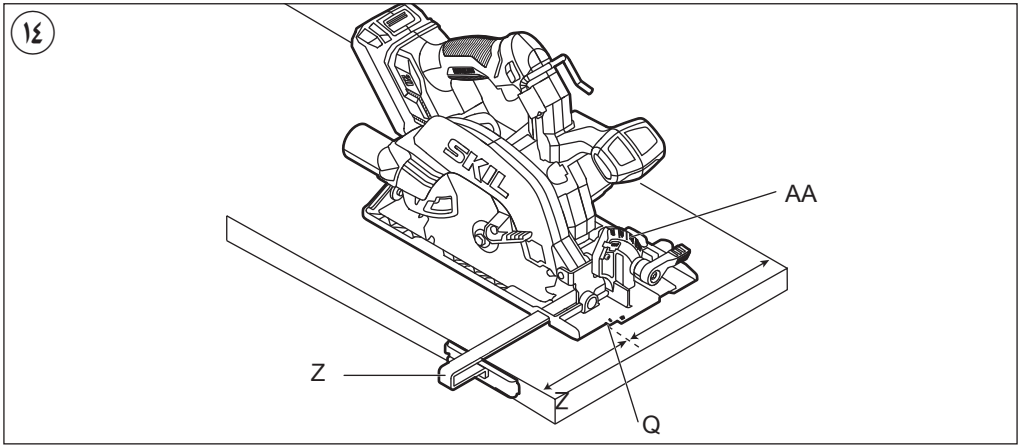
٤) استخدام الآلة العاملة بالطاقة والعناية بها

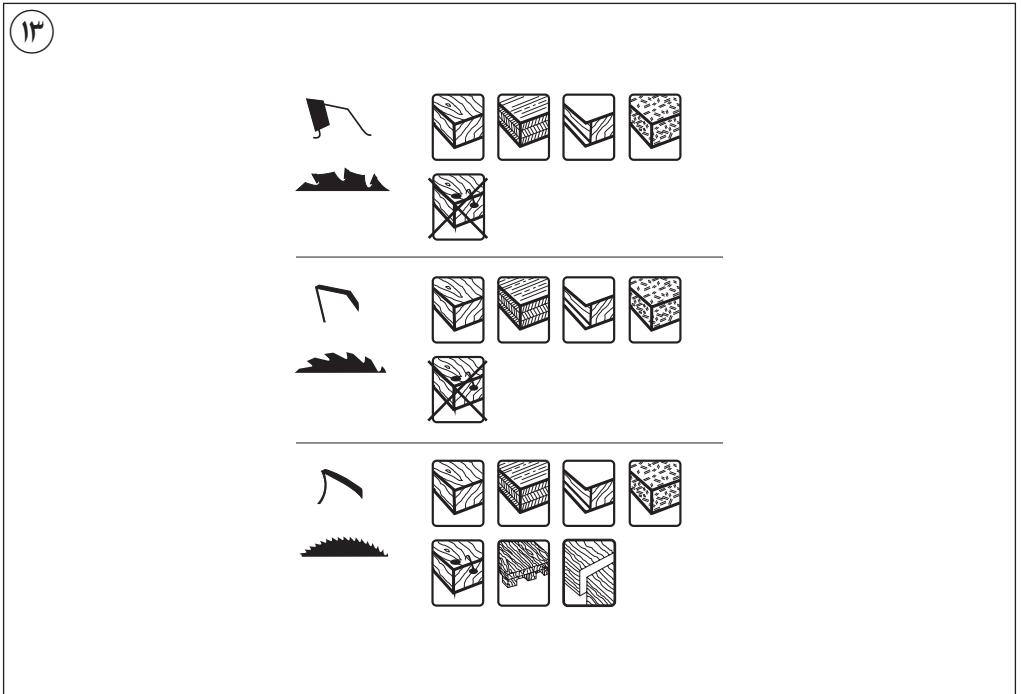
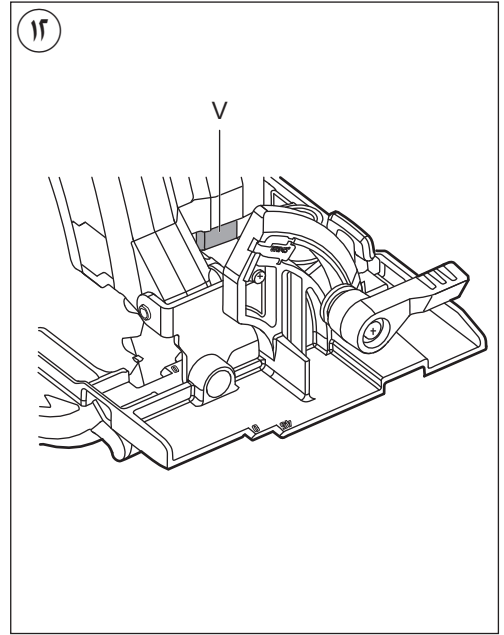
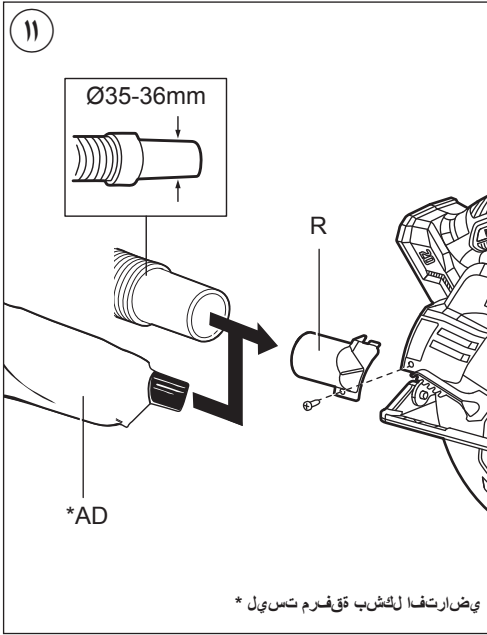
أ) لا تجبر الآلة العاملة بالطاقة على أعمال تفوق قدرتها. استخدم الآلة العاملة بالطاقة للملازمة لأعمالك. ستقوم الآلة العاملة بالطاقة للملازمة بأداء أعمالك بشكل أفضل وأكثر أماناً بالعدل الذي أعدت له.

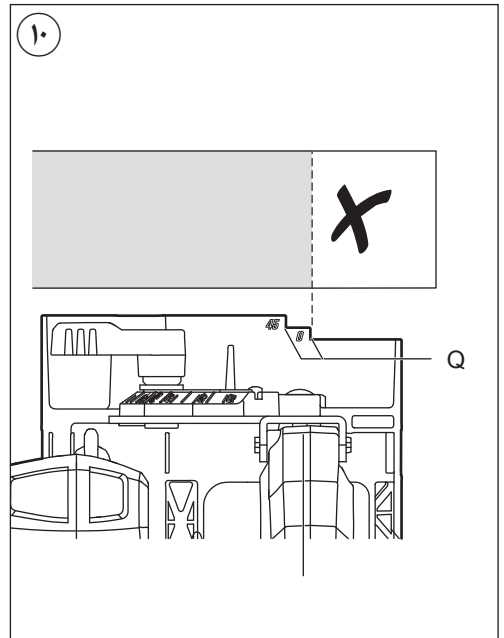
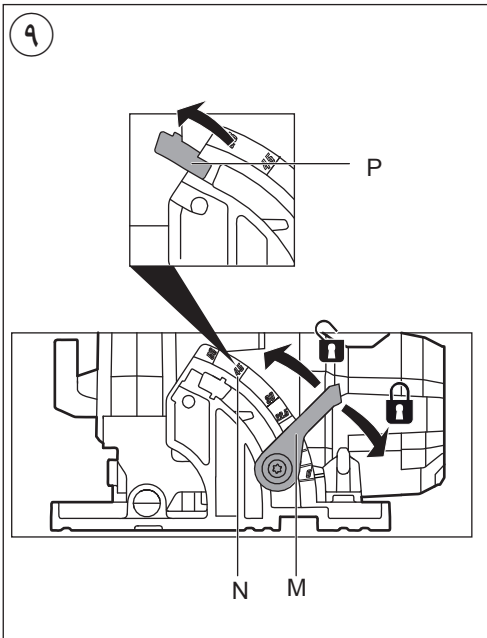
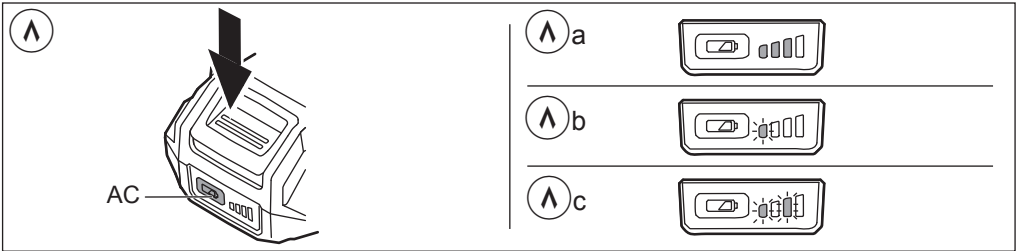
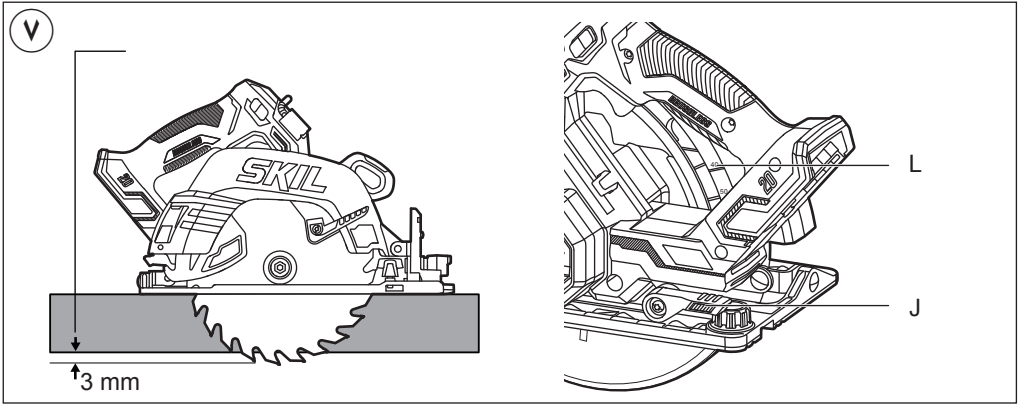
ب) لا تستخدم الآلة العاملة بالطاقة إذا كان مفتاح التشغيل لا يمكن نقله إلى وضع التشغيل أو وضع إيقاف. أي آلة عاملة بالطاقة لا يمكن التحكم فيها بمفتاح التشغيل تعتبر خطيرة وينبغي إصلاحها.

ت) افصل القابس من مصدر التيار و/أو اخلع مجموعة البطاريات. إذا كانت قابلة للخلع. من الآلة العاملة بالطاقة قبل إجراء أي تعديلات أو تغيير ملحقات أو









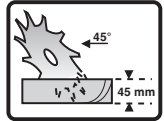
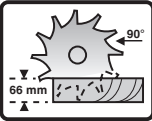
1

3571

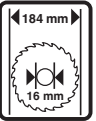
20V Max  
18 Volt

2,0 Ah  
2,5 Ah  
3,4 kg

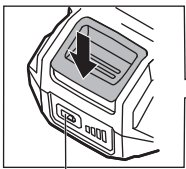
4,0 Ah  
5,0 Ah  
3,7 kg



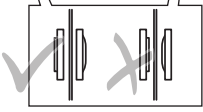
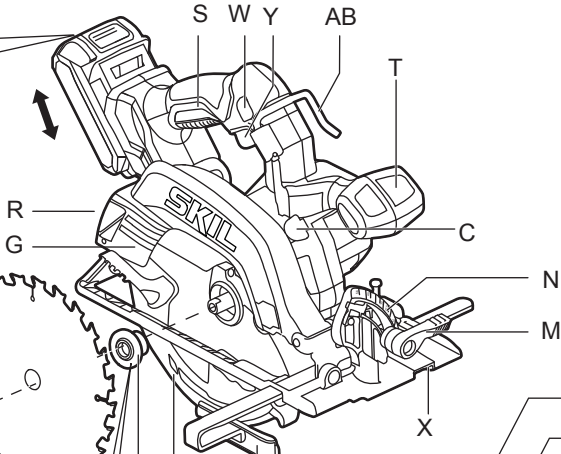
no  
5300 /min



2



AC



3



4



5



max.50 °C

6

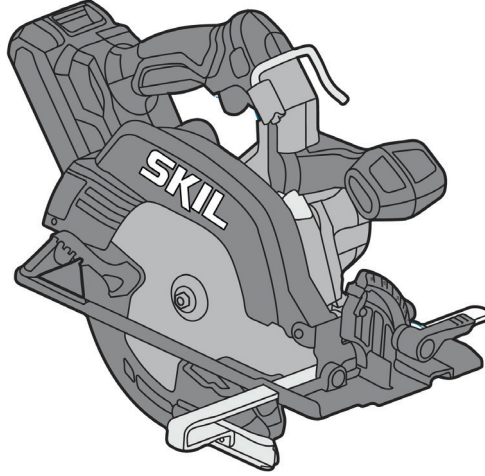




المنشار الدائري اللاسلكي بدون فرش

3571

**SKIL®**



دليل الاستعمال

AR

راهنماي اصلي

FA

