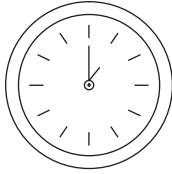
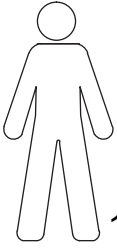







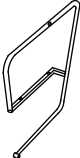
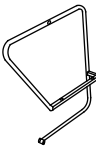
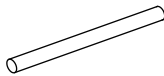

1

 <p>5 min</p>	 <p>1 x</p>
--	--

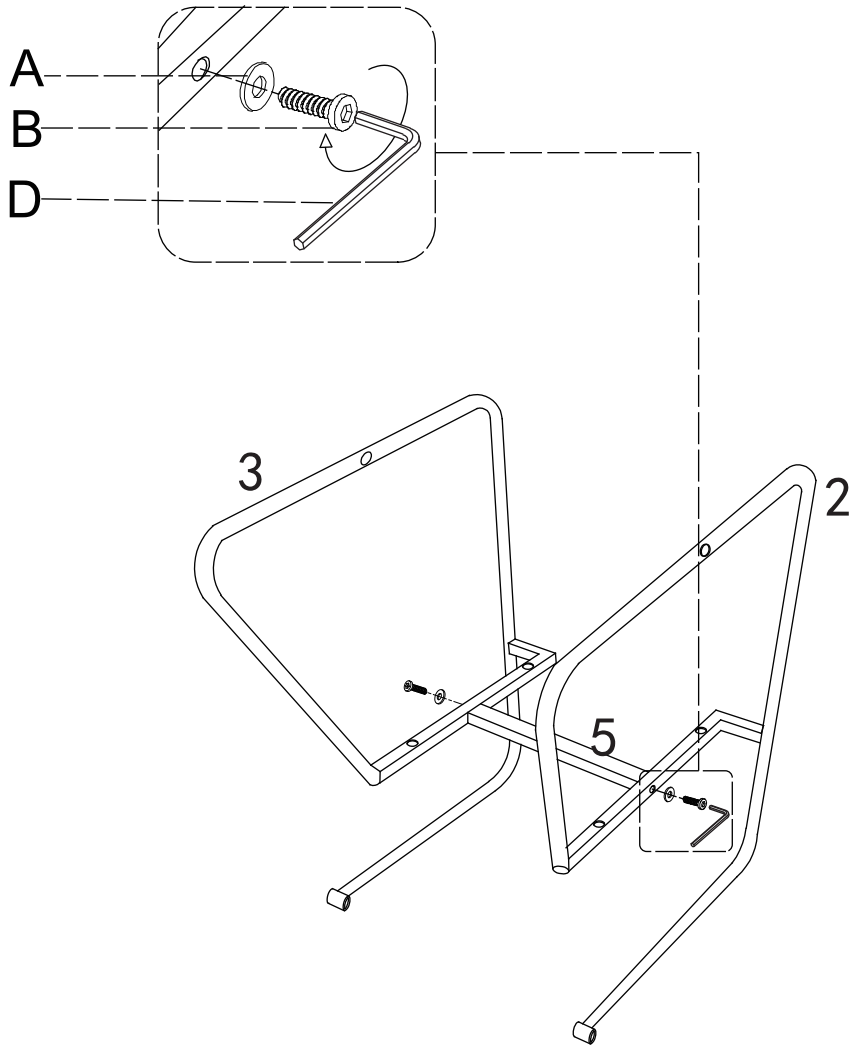
2a




<b>A</b>  Ø6*Ø16*1.2mm 6x	<b>B</b>  M6*35mm 6x	<b>C</b>  M6*30mm 2x	<b>D</b>  4mm 1x
---	--	---	--

2b

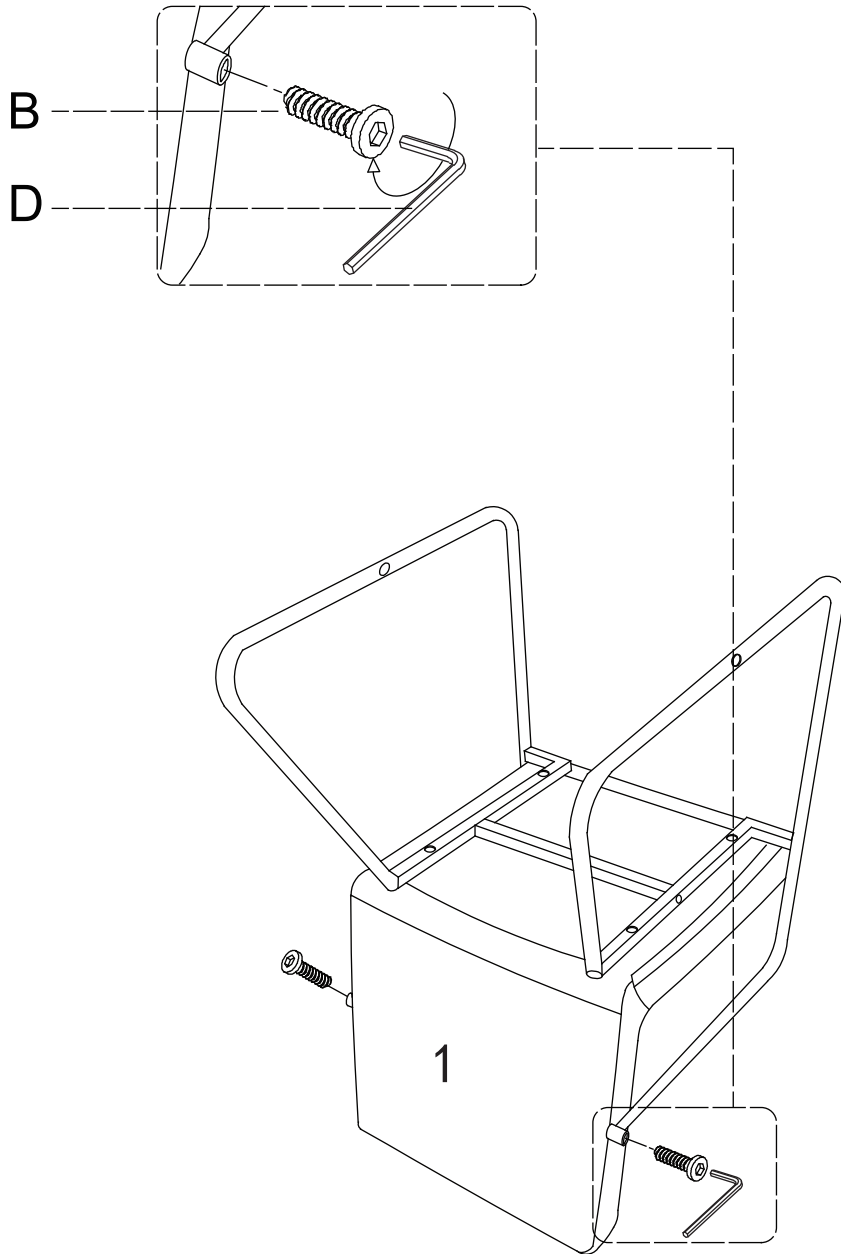
<b>1</b>  1x	<b>2</b>  1x	<b>3</b>  1x	<b>4</b>  1x	<b>5</b>  1x
---	---	---	--	---



1





<p><b>A</b></p>  <p>Ø6*Ø16*1.2mm 2x</p>	<p><b>B</b></p>  <p>M6*35mm 2x</p>	<p><b>D</b></p>  <p>4mm 1x</p>
--	---	---

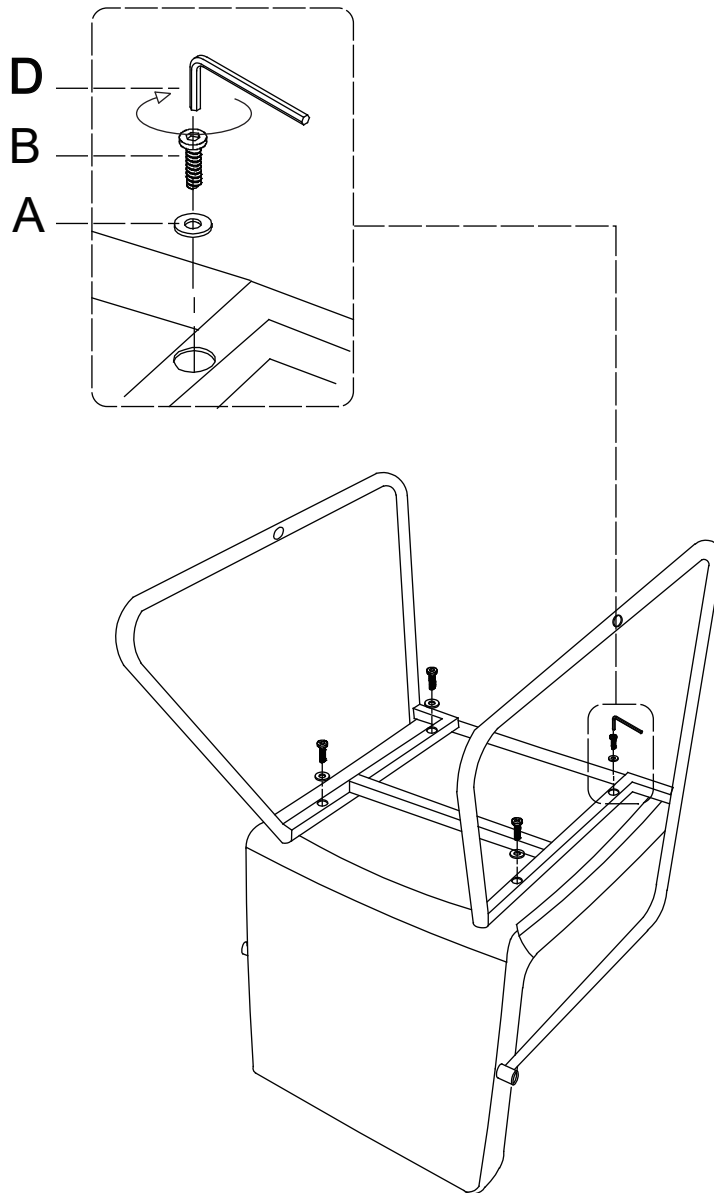
2



<b>B</b>	
	
M6*35mm	
2x	

<b>D</b>	
	
4mm	
1x	

# 3



**A**



Ø6\*Ø16\*1.2mm

4x

**B**



M6\*35mm

4x

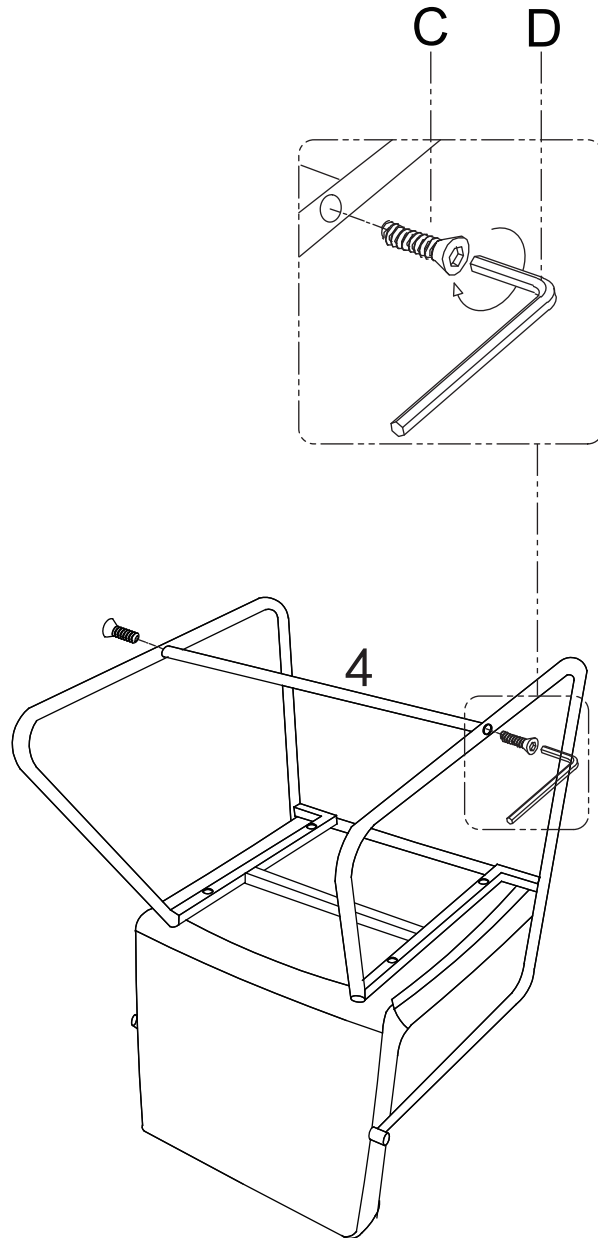
**D**





4mm

1x

4



<p><b>C</b></p>  <p>M6*30mm 2x</p>	<p><b>D</b></p>  <p>4mm 1x</p>
---	---

5

