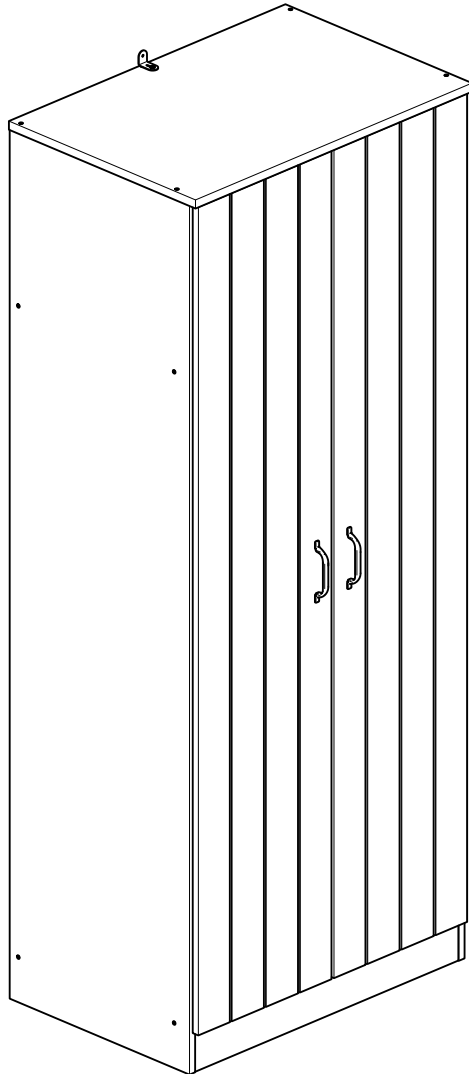
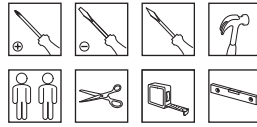


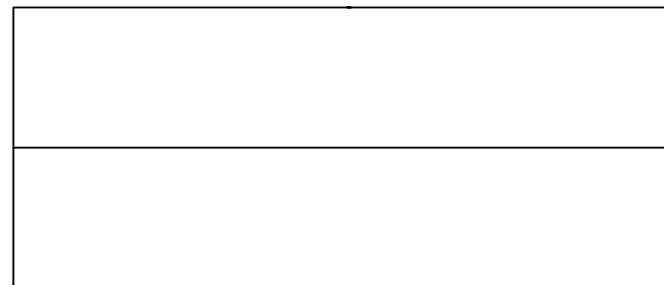
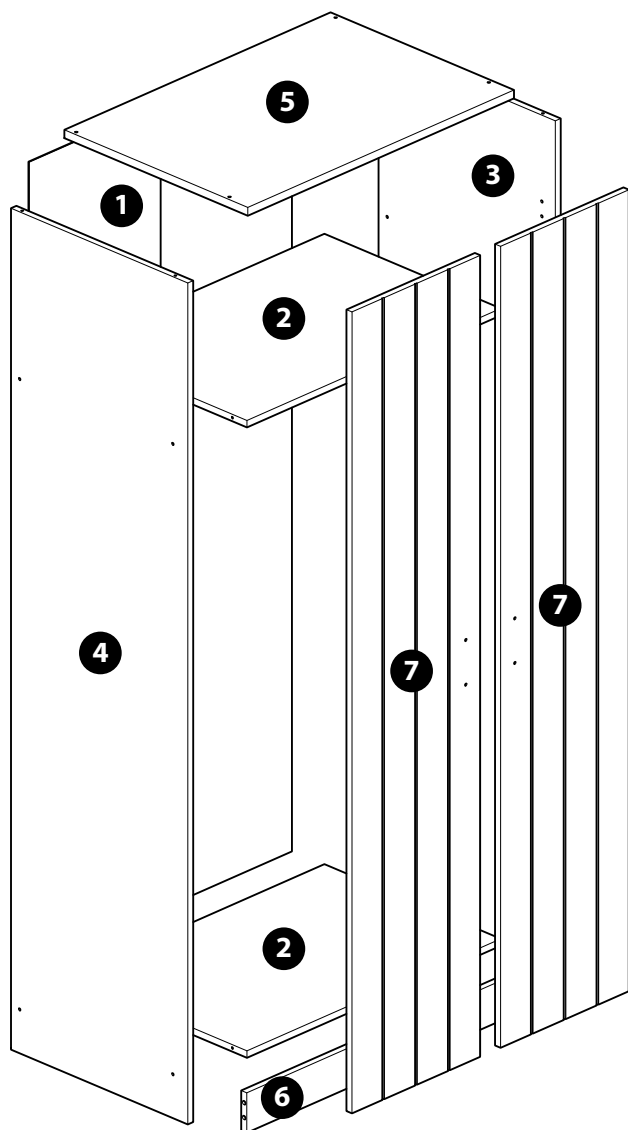
Picardie



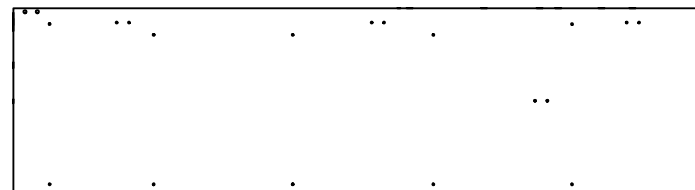
A		FK1980 x4 Ø4 x 20mm	J		FK1013 x1
B		FK1005 x12 Ø5 x 50mm	K		FK1217 x2
C		FK1309 x14 Ø4 x 12,5mm	L		PM1838 x1 965x22x15mm
D		FK1400 x1 Ø4 x 15mm	M		FK12541 x6
E		FK1411 x4 Ø8 x 30mm	N		FK12641 x6
F		FK1515 x40 Ø1,5 x 24mm	O		FA1510 x1
G		FK1235 x1	P		GR1901 x2 96mm
H		FK1234 x1			
I		FK1415 x1			

1 B03320 x1 3 P2071 x1 5 P5025 x1 7 PF3119 x2

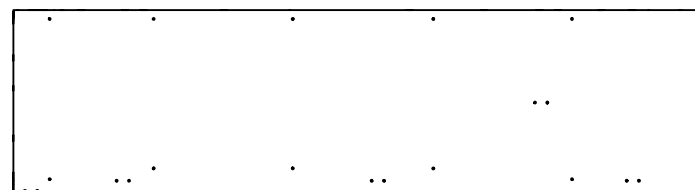
2 P1999 x2 4 P2072 x1 6 P7399 x1



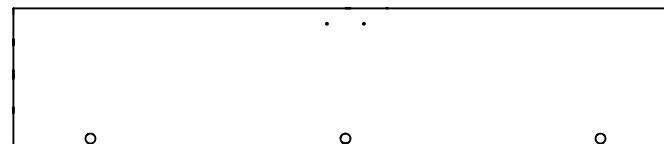
1 B03320 1732x728x2,5 x1



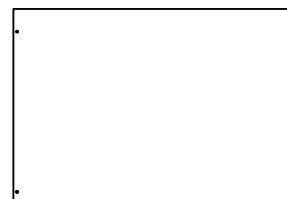
4 P2072 1810x480x15 x1



3 P2071 1810x480x15 x1



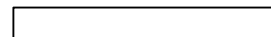
7 PF3119 1724x356x15 x2



2 P1999 704x479x15 x2



5 P5025 738x498x18 x1



6 P7399 704x86x15 x1

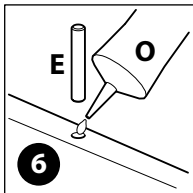
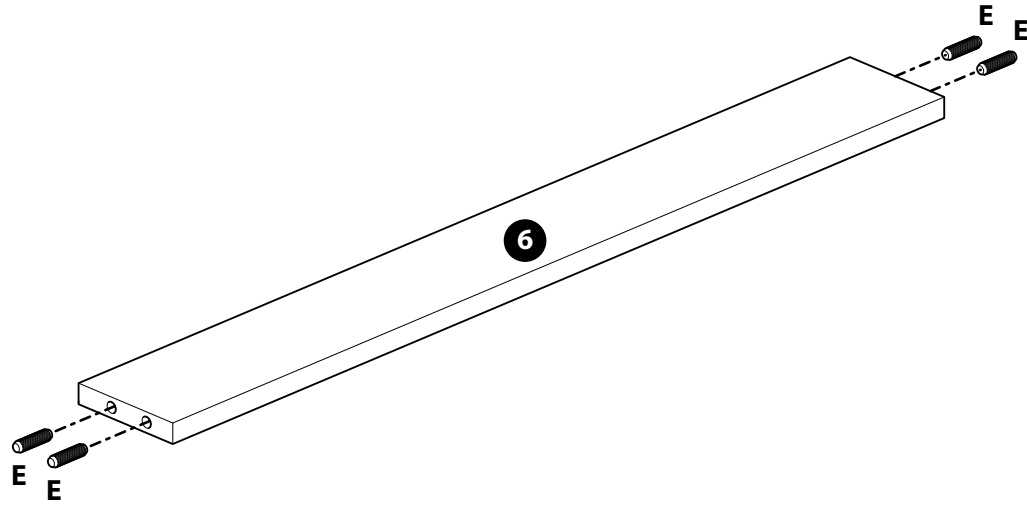


1

E



x4



N11322 130514

2

C



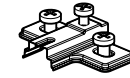
x2

K

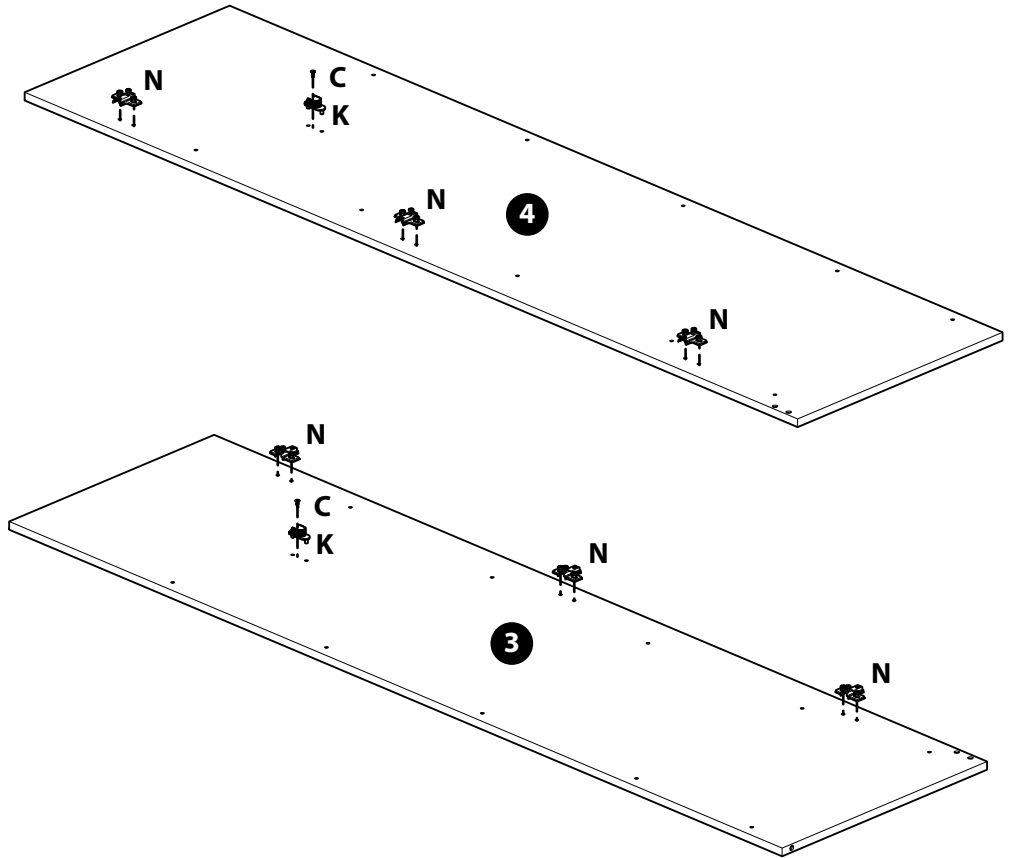


x2

N

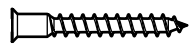


x6



3

B



x8

O

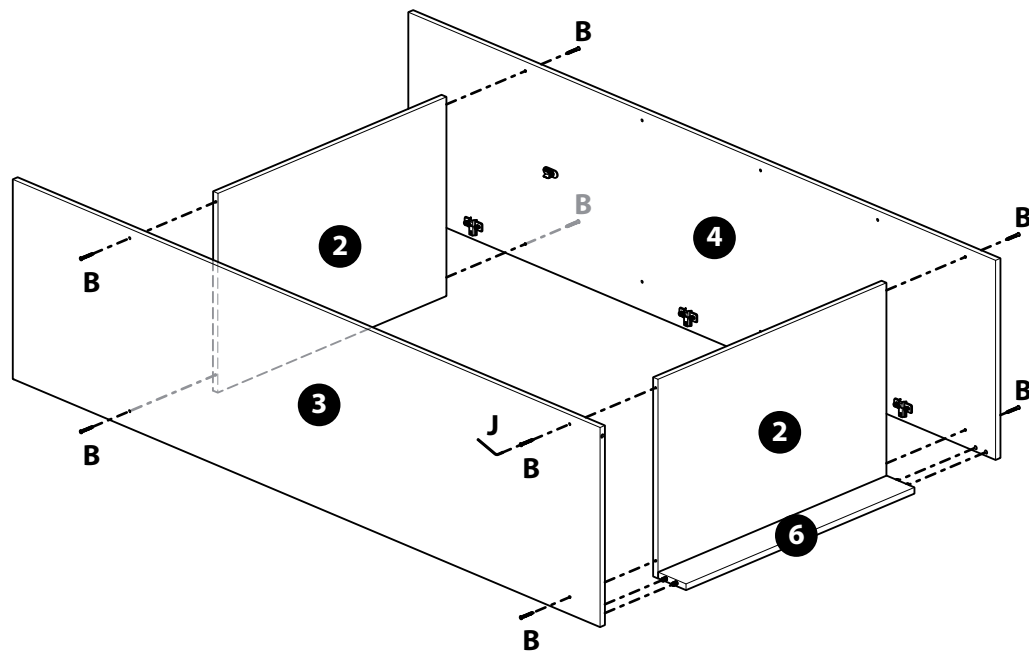


x1

J

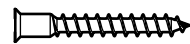


x1



4

B

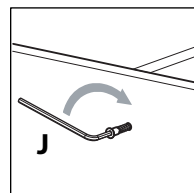
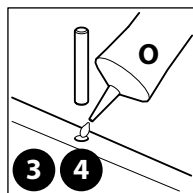
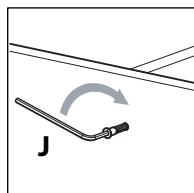
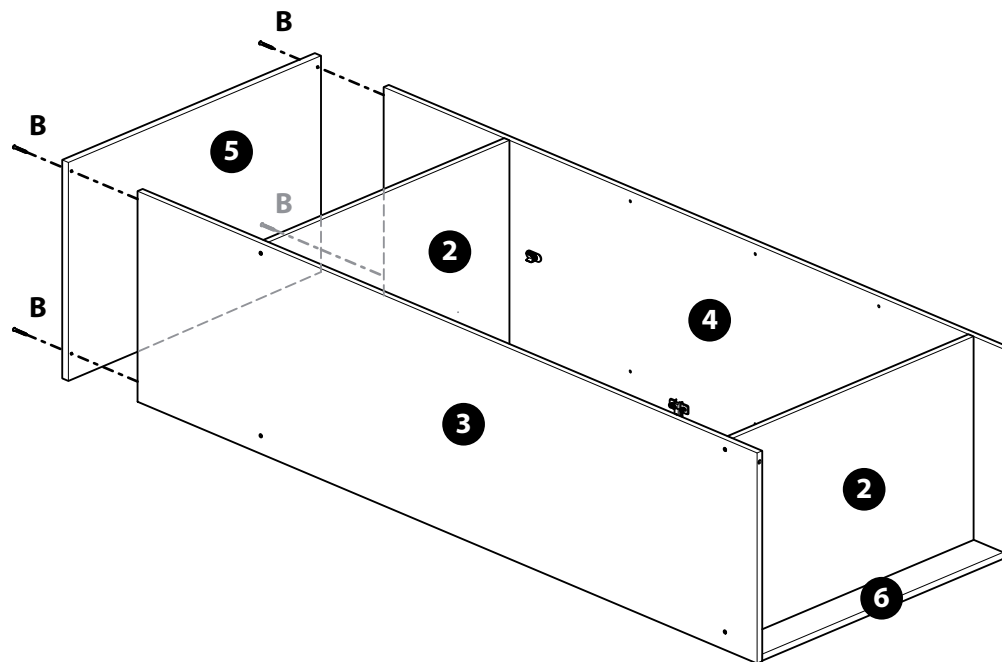


x4

J

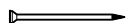


x1



5

F



x34

I



x1



6

C



x12

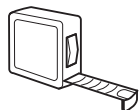
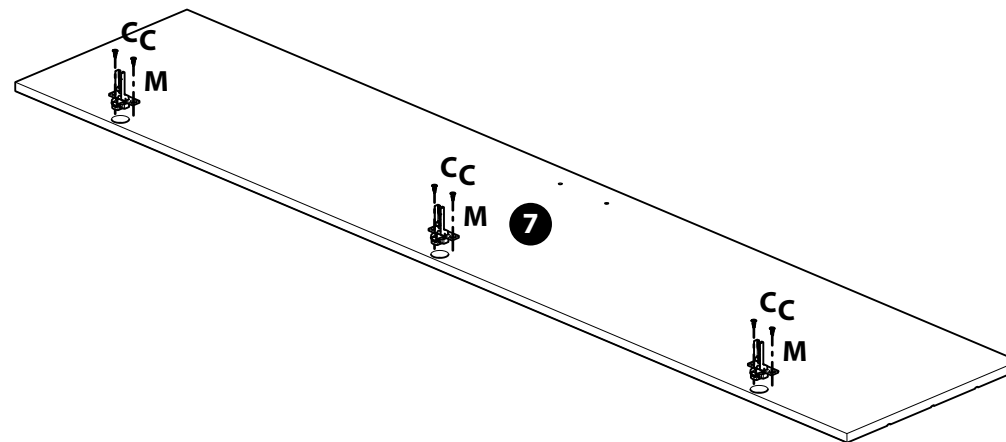
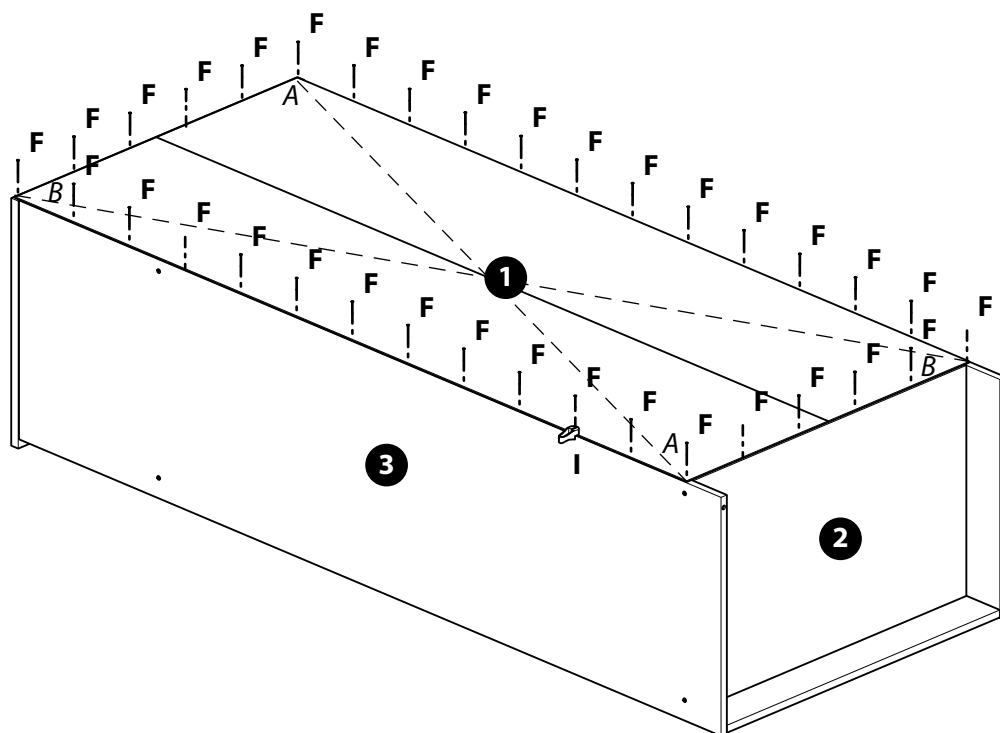
M



x6

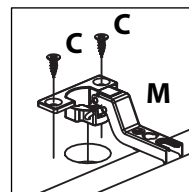
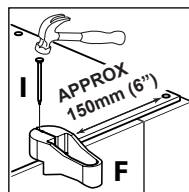


2x



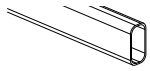
A:A = B:B

N11322 130514

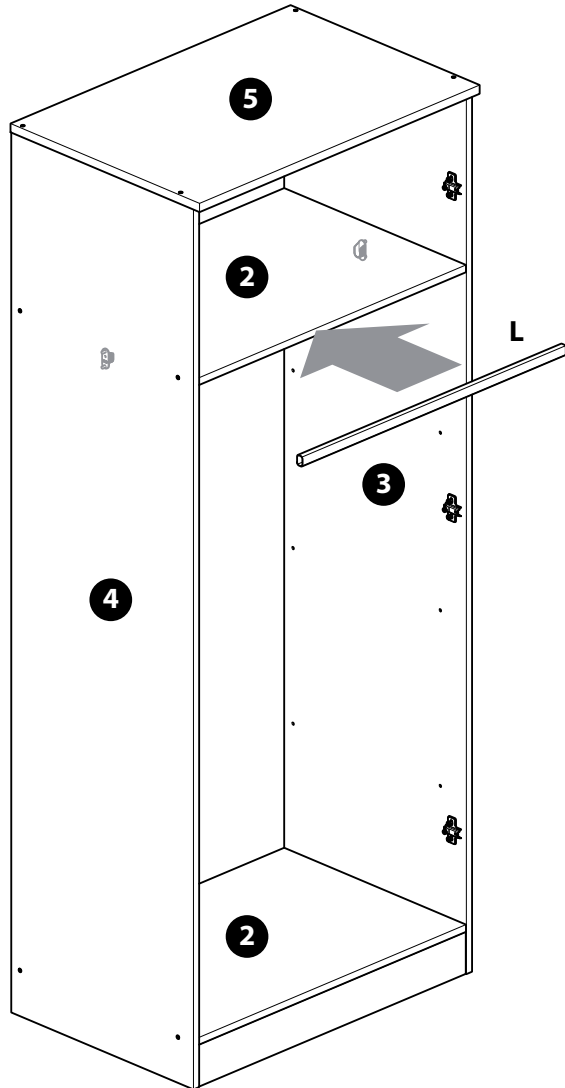


7

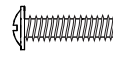
L



x1

**8**

A

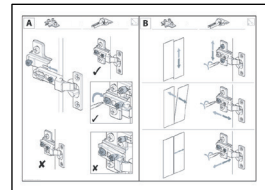
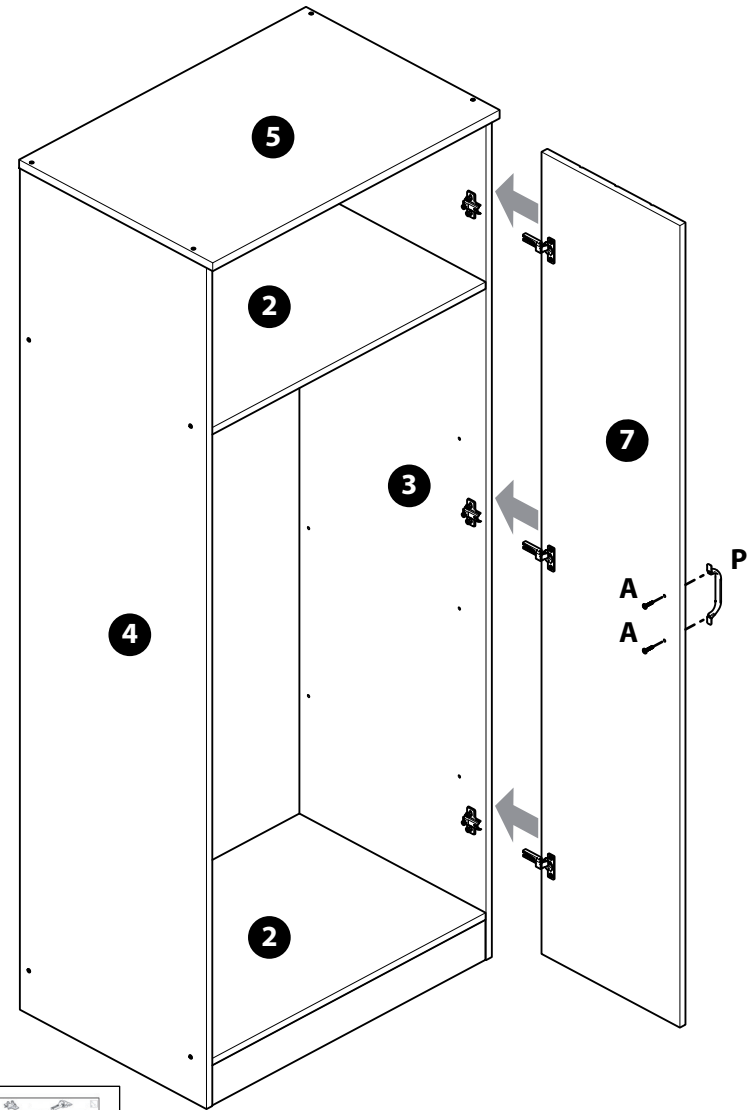


x2

P

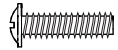


x1



9

A

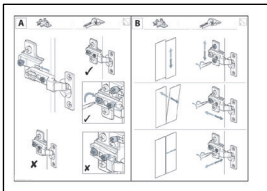
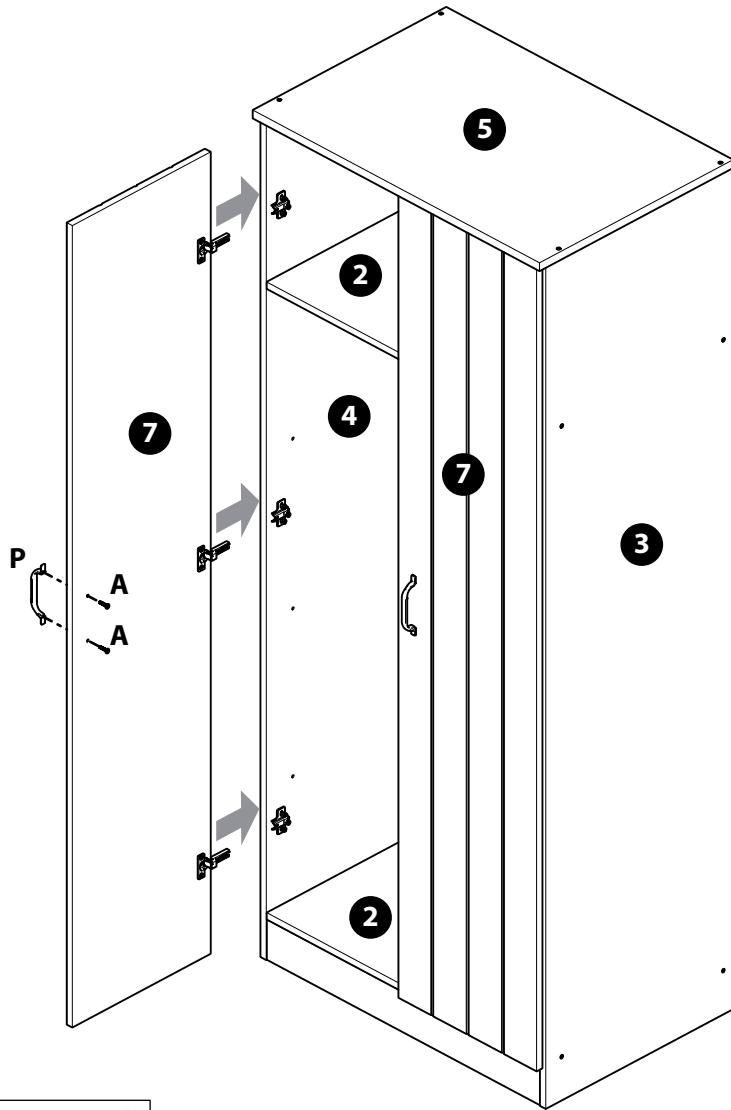


x2

P



x1



N11322 130514

10

D



x1

H



x1

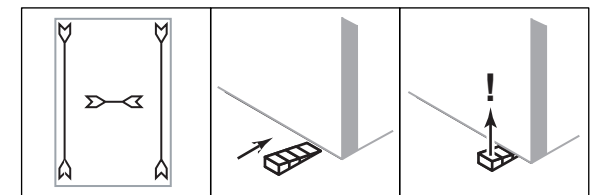
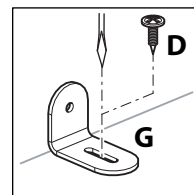
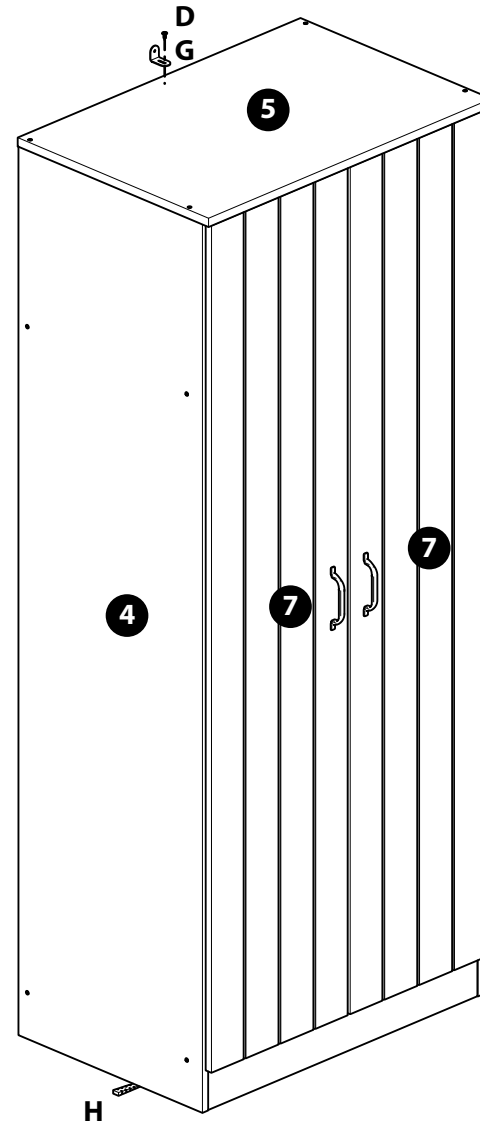


G



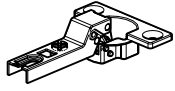
x1

D



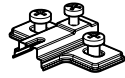
A

M

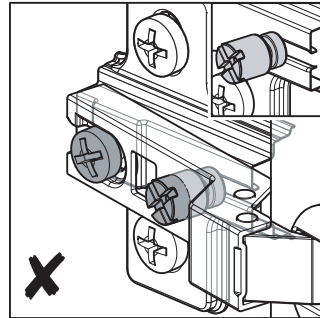
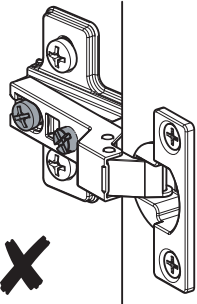
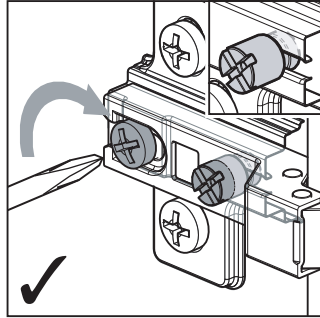
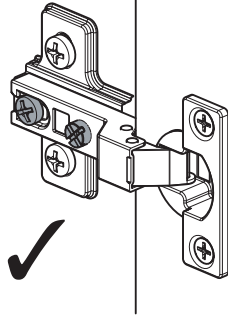
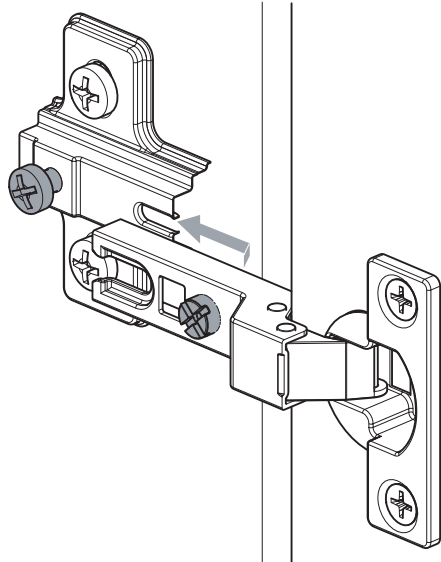


x6

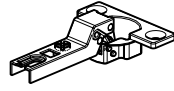
N



x6

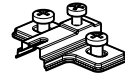
**B**

M



x6

N



x6

