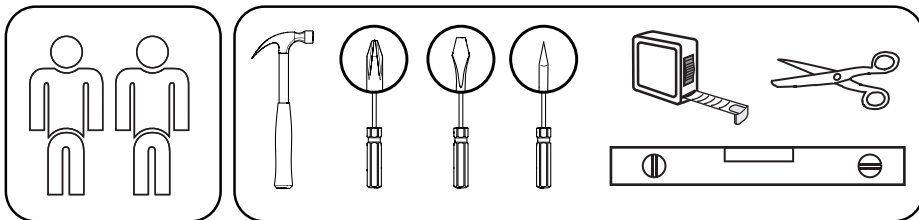
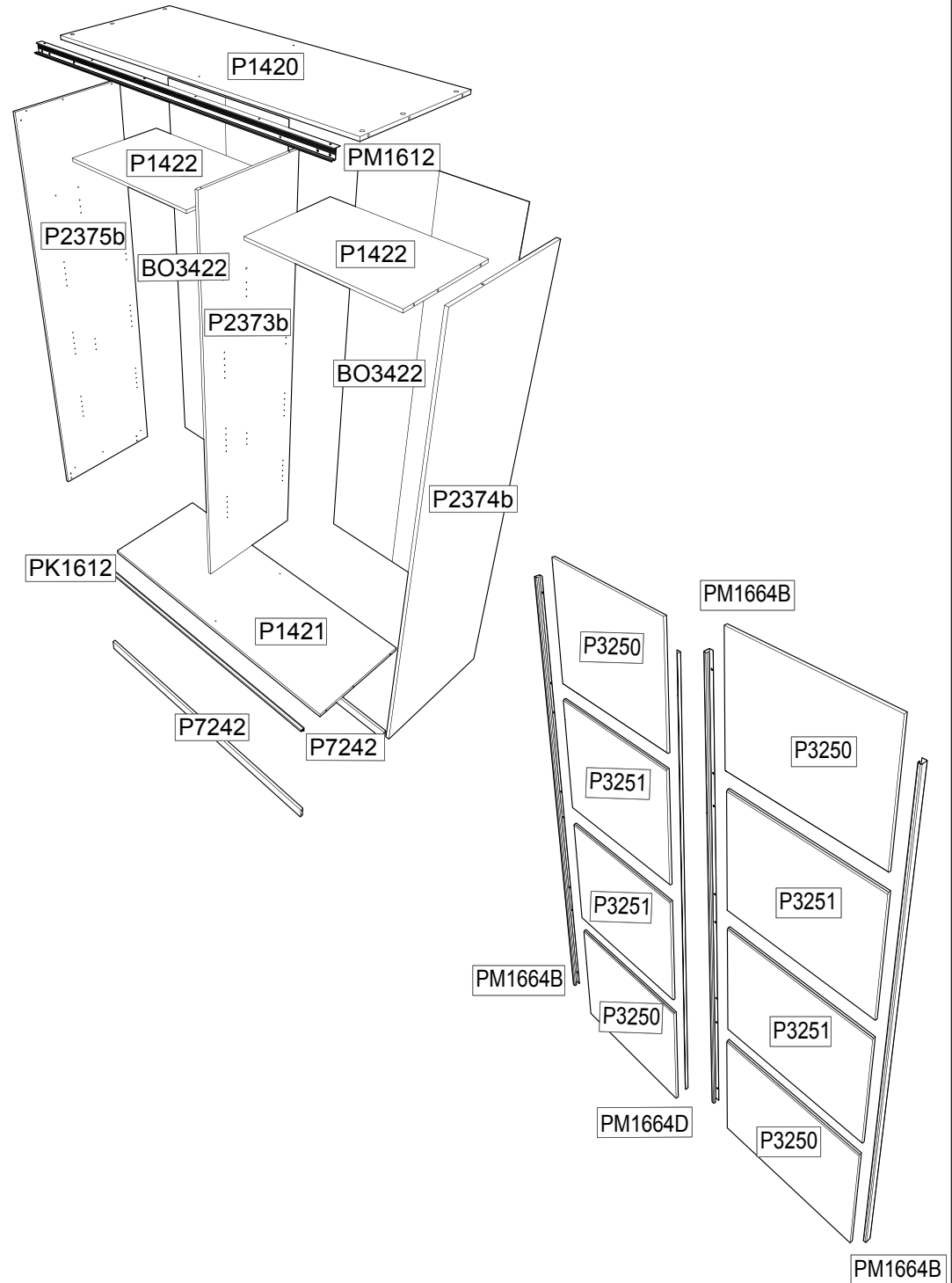
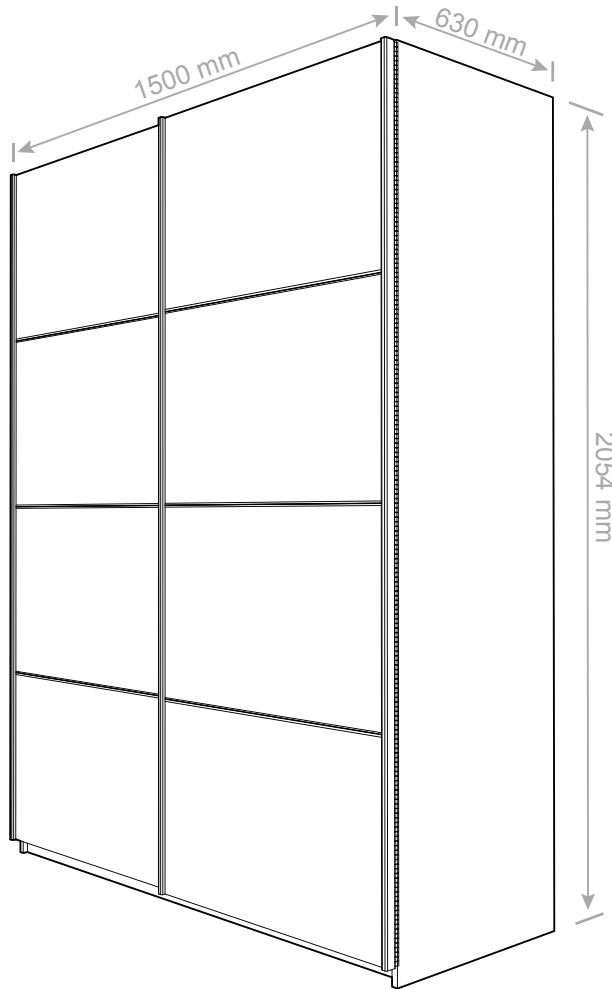
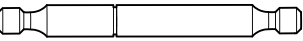


Alpha 150

DR880156G



3x  FK1052

4x  FK1005

18x  FK1011

8x  FK1411

60x  FA1515

58x  FK1400

4x  FK1309

32x  FK1082

24x  FK1012

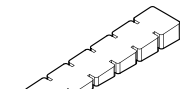
2x  FK1248

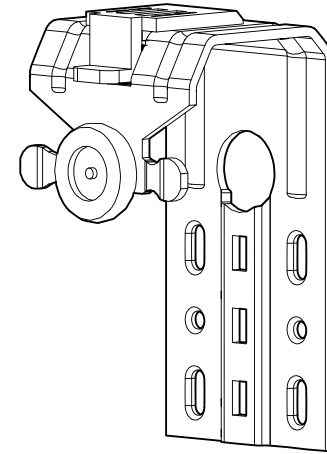
1x  FK1013

4x  FK1217

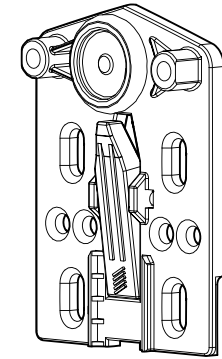
1x  FK1415

1x  FK1235

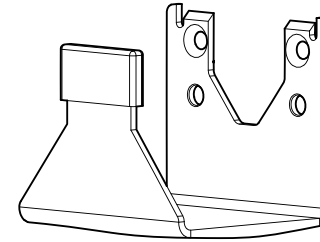
2x  FK1234



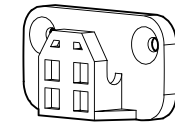
2x
ZF9997A



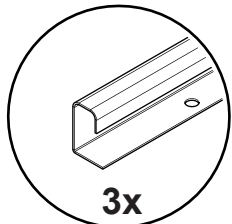
2x
ZF9997B



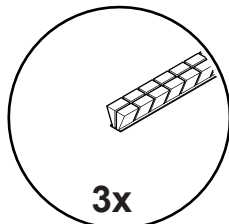
2x
ZF9997C



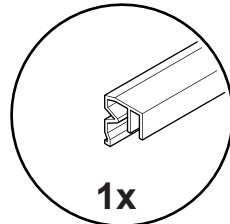
2x
ZF9997D



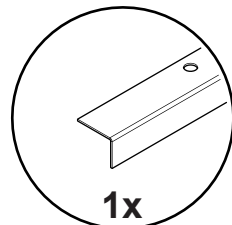
3x
PM1664B



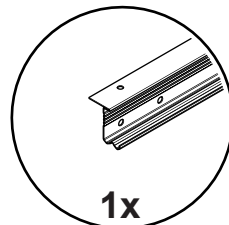
3x
PM1664C



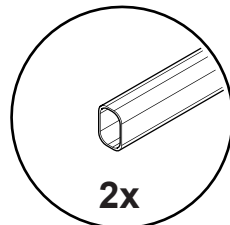
1x
PK1612



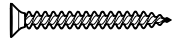
1x
PM1664D



1x
PM1612




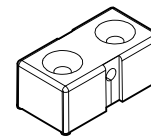
2x
PM1892

2x  ZF9997I

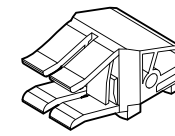
2x  ZF9997J

13x  ZF9997K

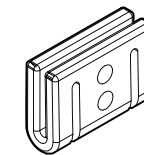
33x  ZF9997L



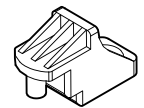
2x
ZF9997E



2x
ZF9997G

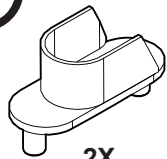


2x
ZF9997H



1x
ZF9997F

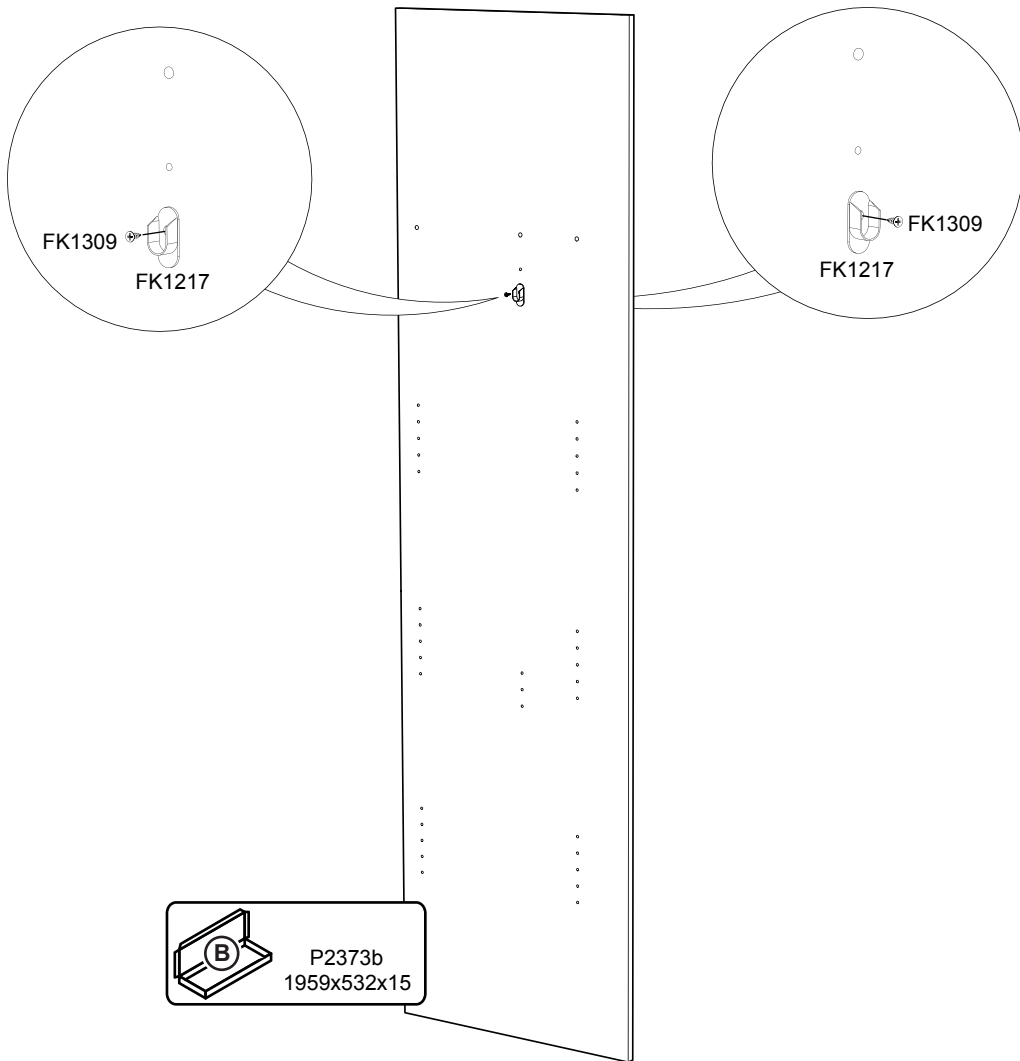
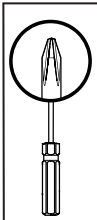
3



2X
FK1217



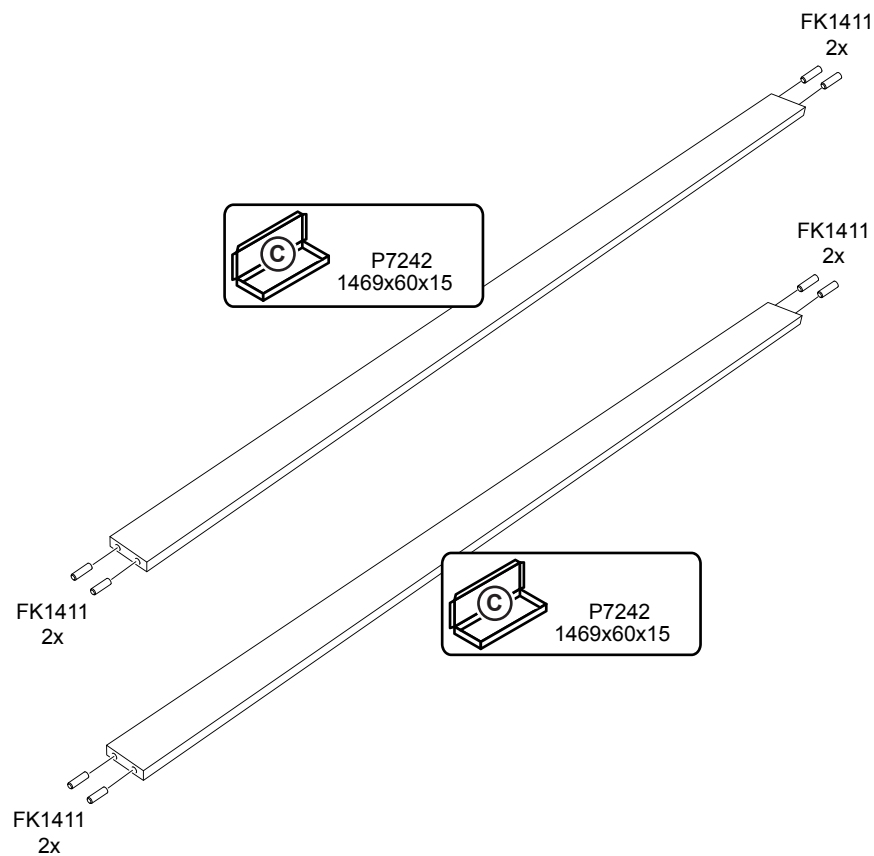
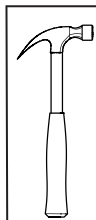
2X
FK1309



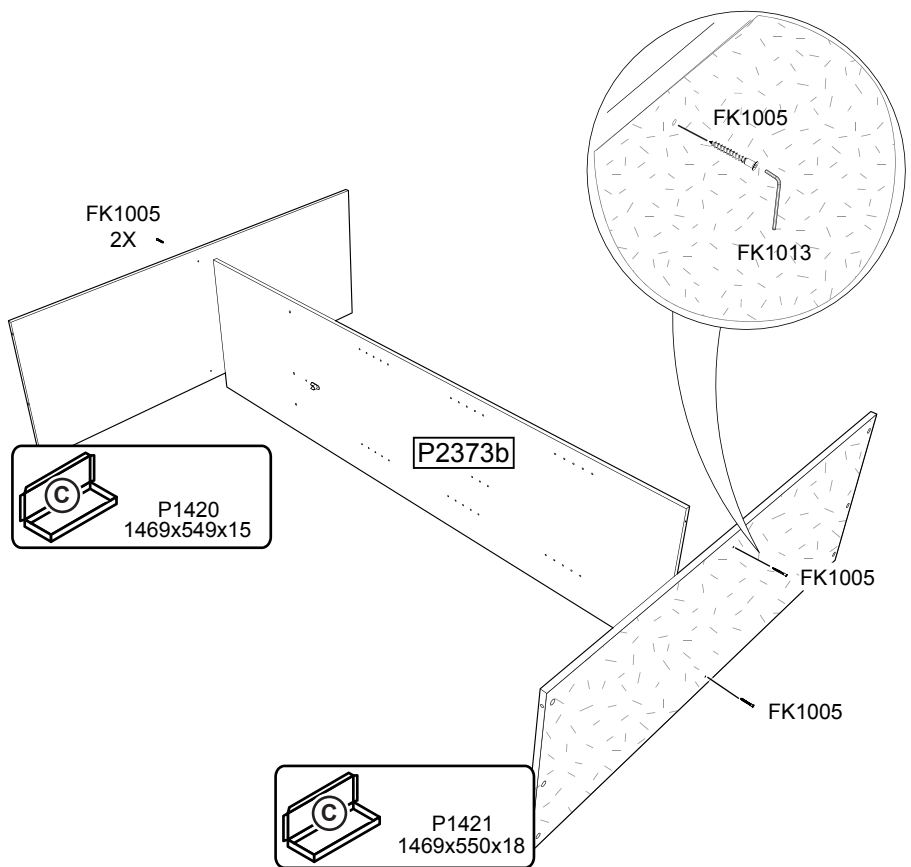
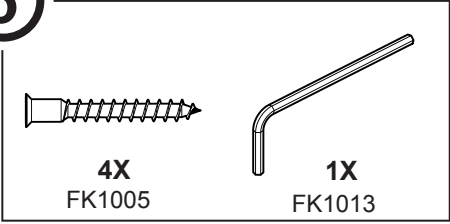
4



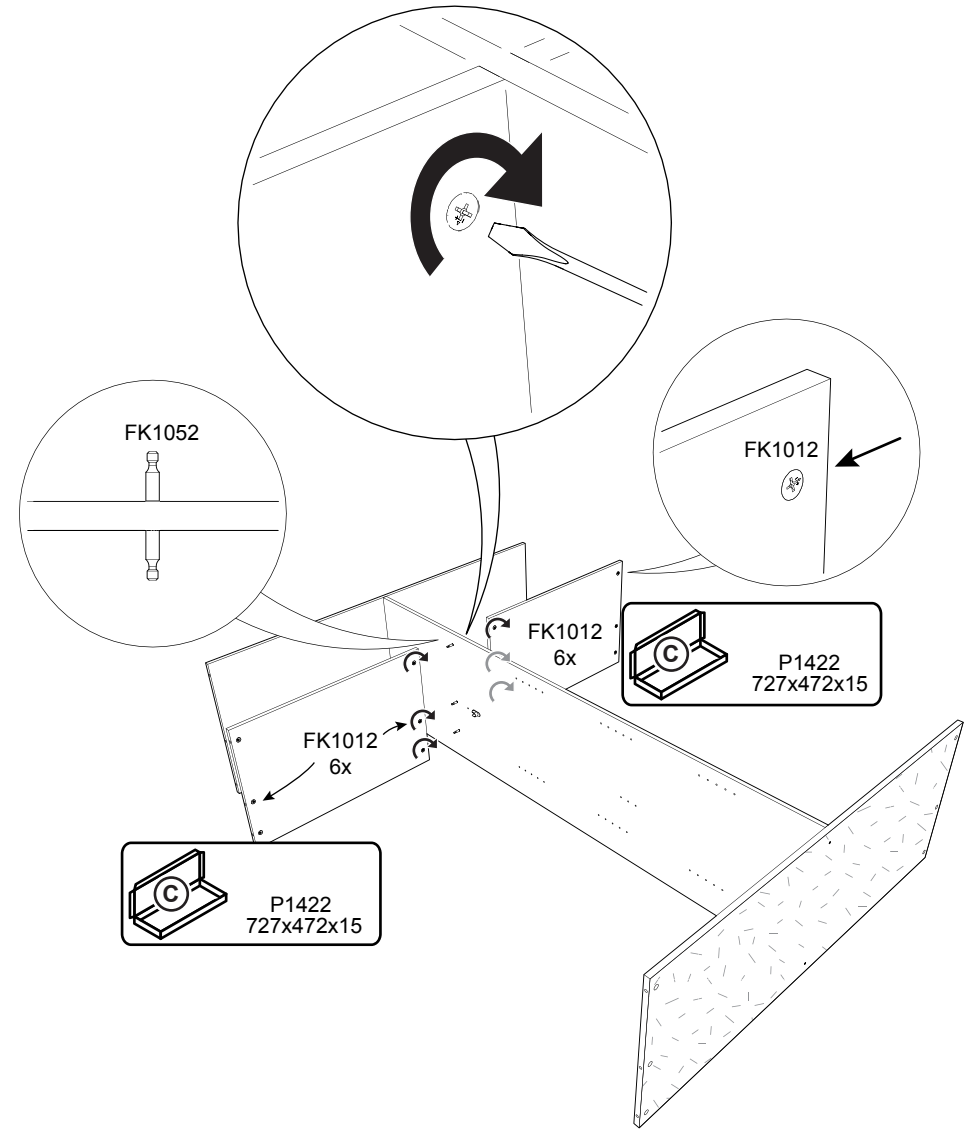
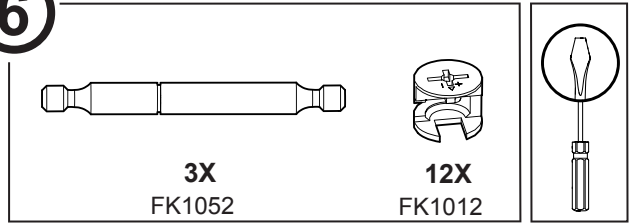
8X
FK1411



5



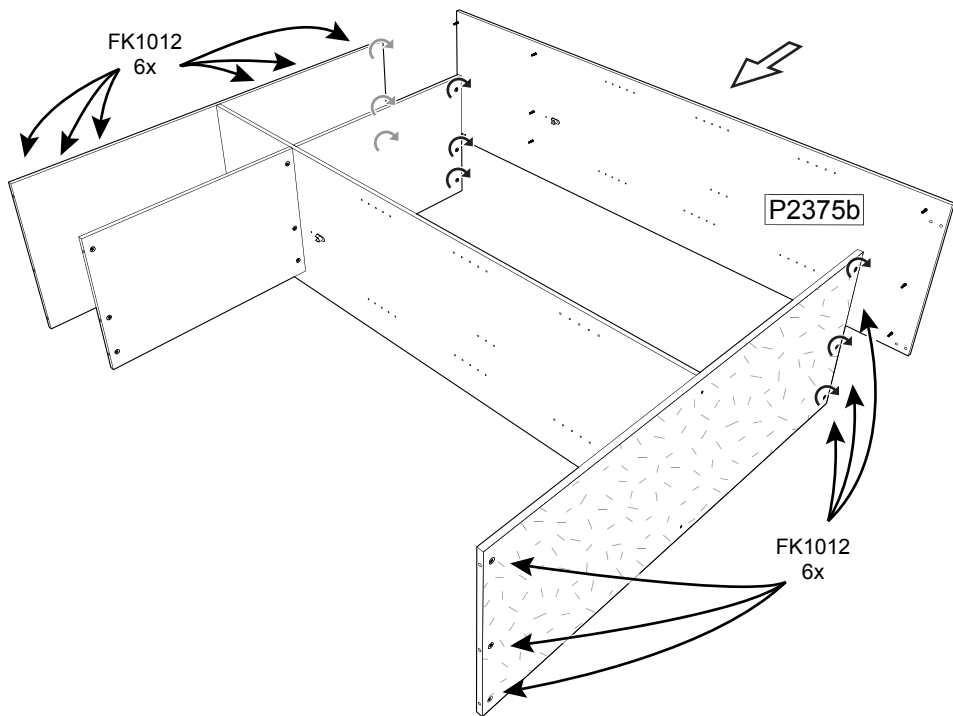
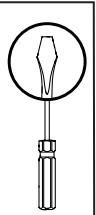
6



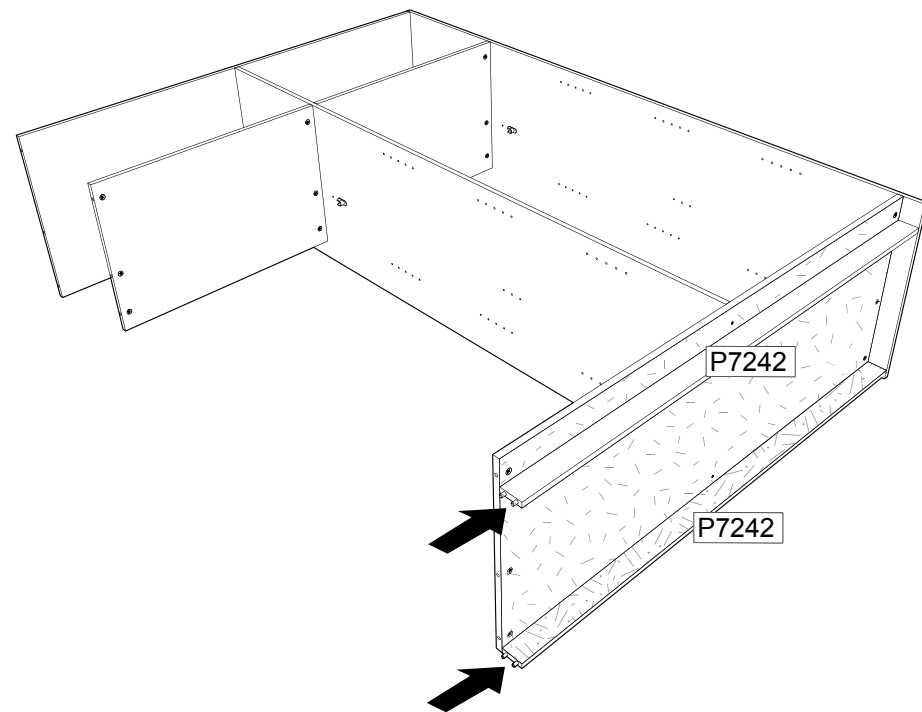
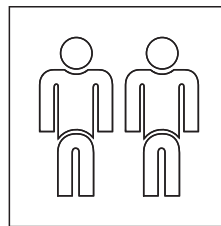
7



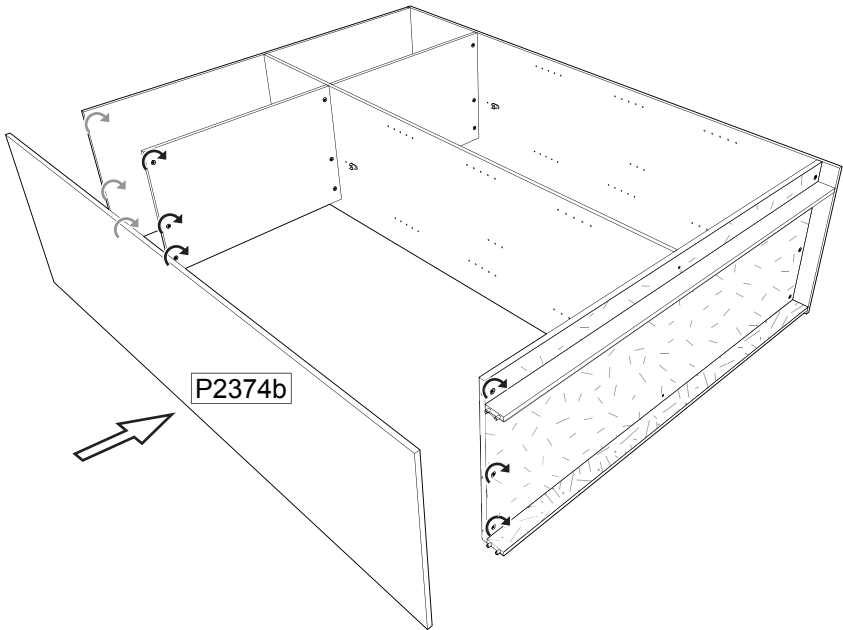
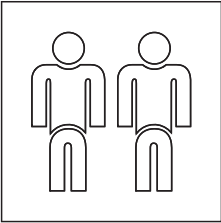
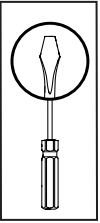
12X
FK1012



8

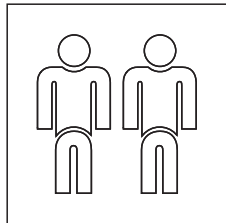
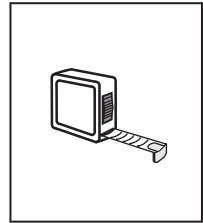


9



P2374b

10





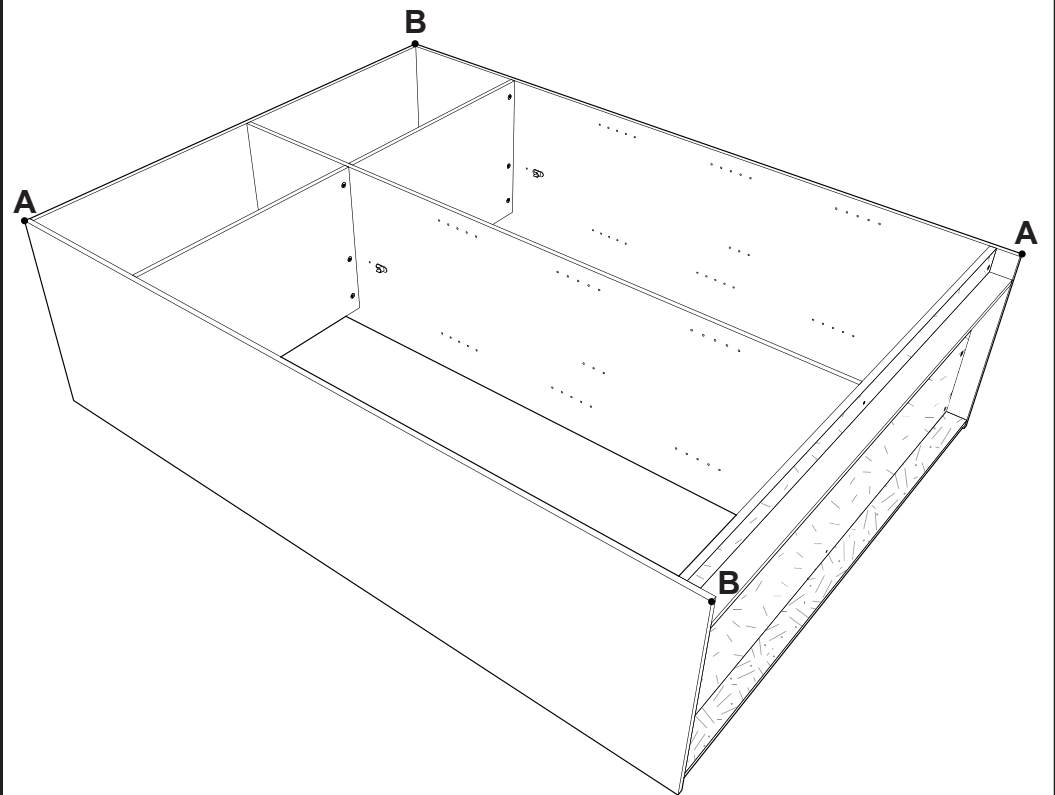
! CHECK !



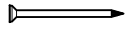
Length / Length:
A-A
=g... cm

Length / Length:
B-B
=g... cm

Length / Length:
A-A = B-B
 



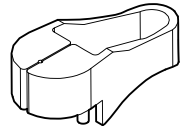
11



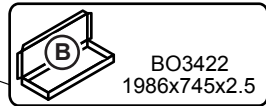
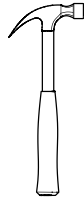
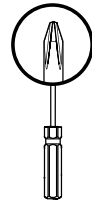
60X
FA1515



14X
FK1400

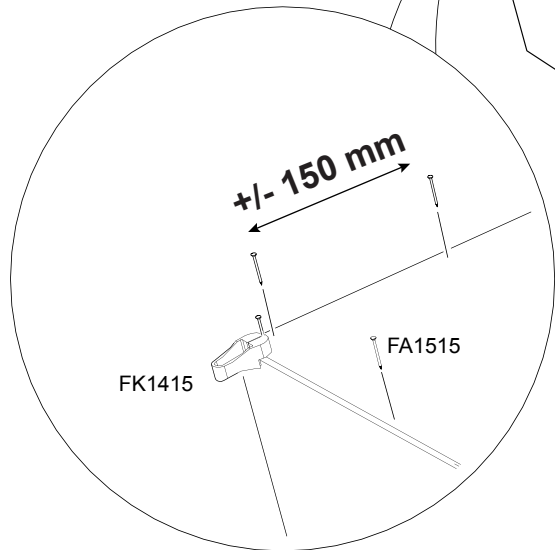
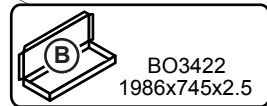


1X
FK1415



FA1515
60x

FK1400
14x



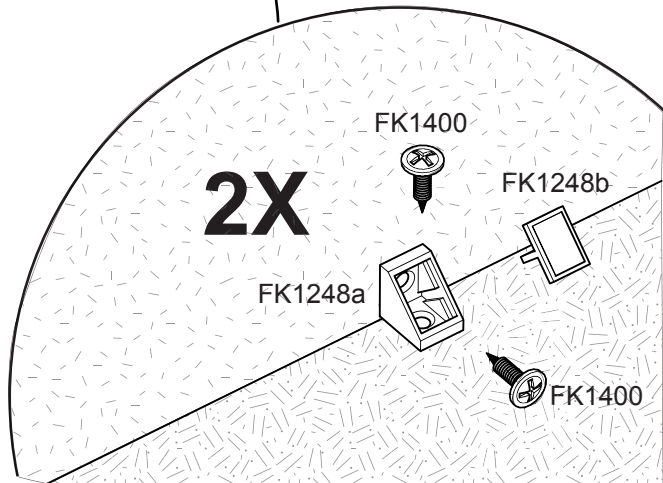
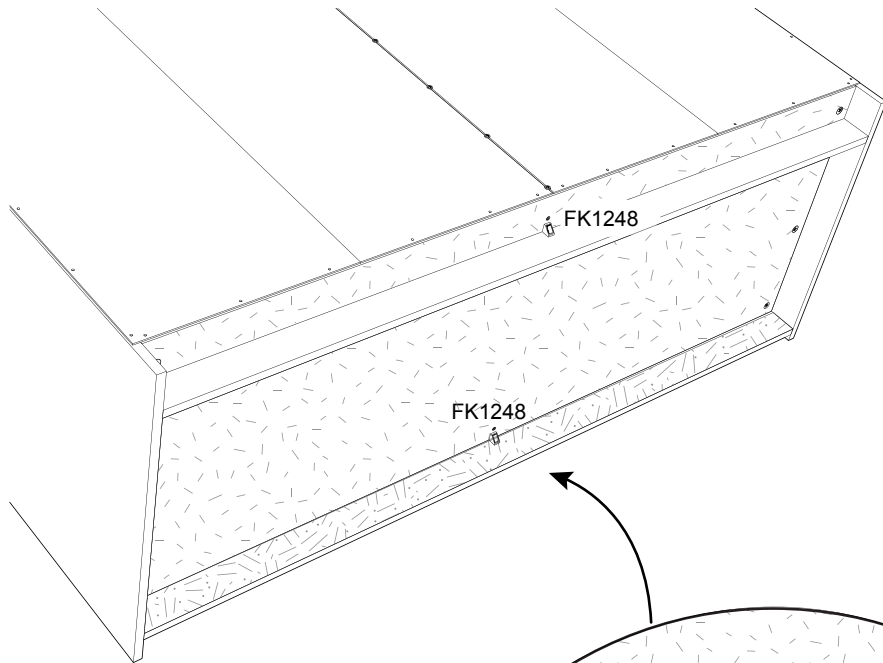
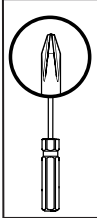
12



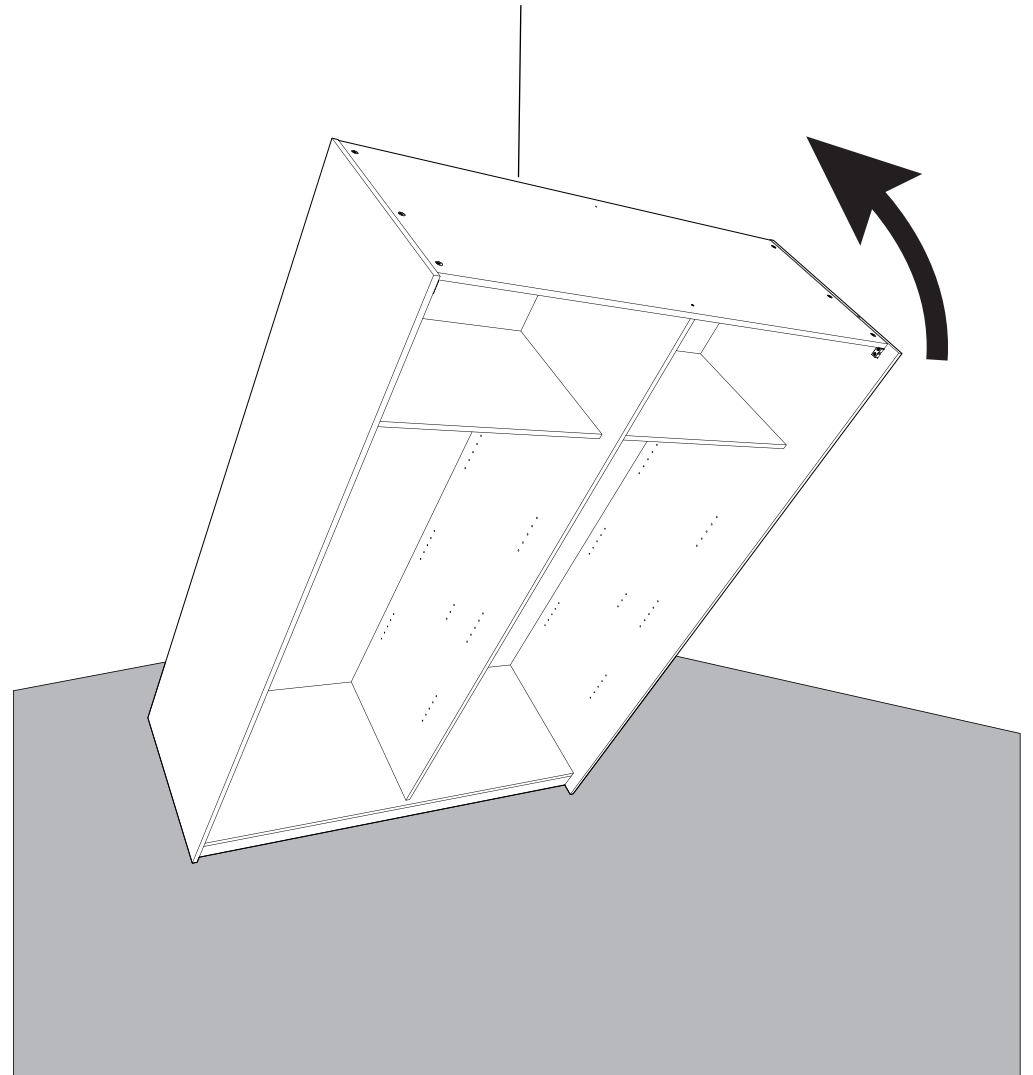
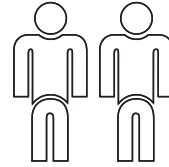
4X
FK1400



2X
FK1248



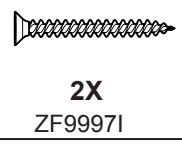
13



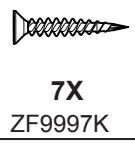
14



6X
FK1400



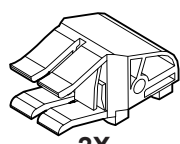
2X
ZF9997I



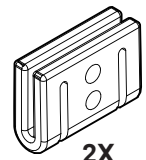
7X
ZF9997K



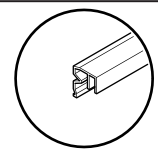
2X
ZF9997J



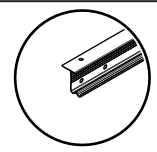
2X
ZF9997G



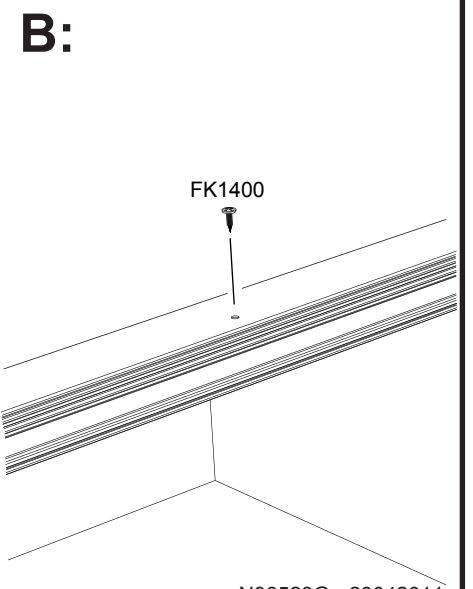
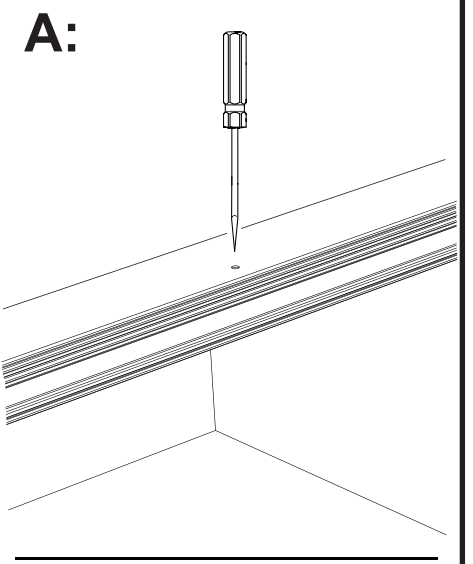
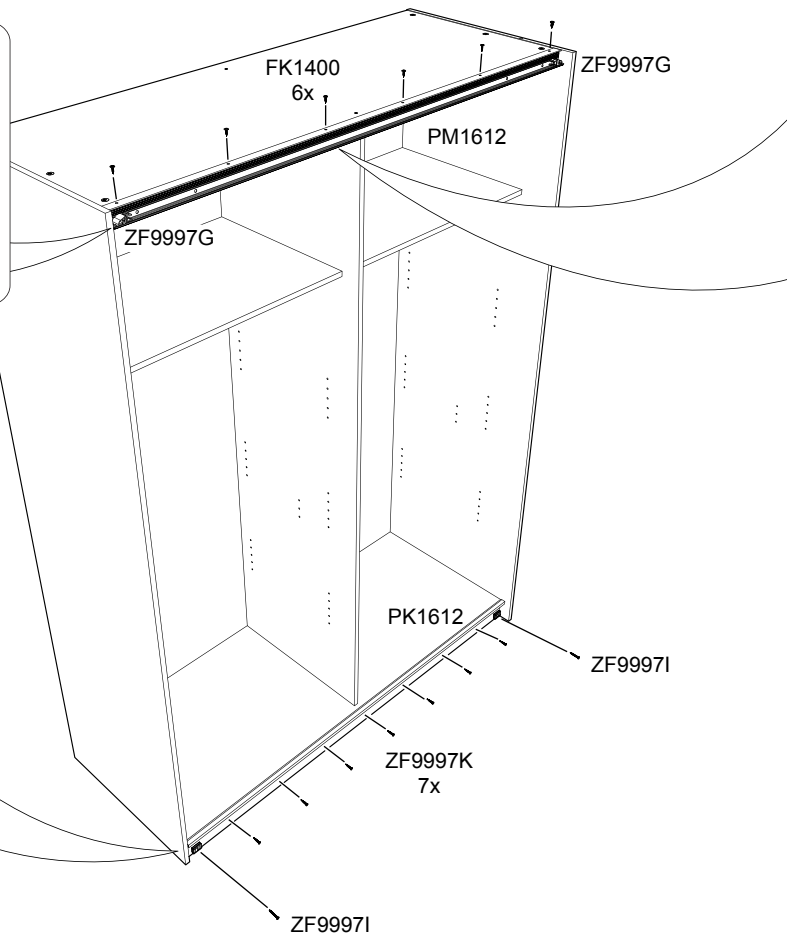
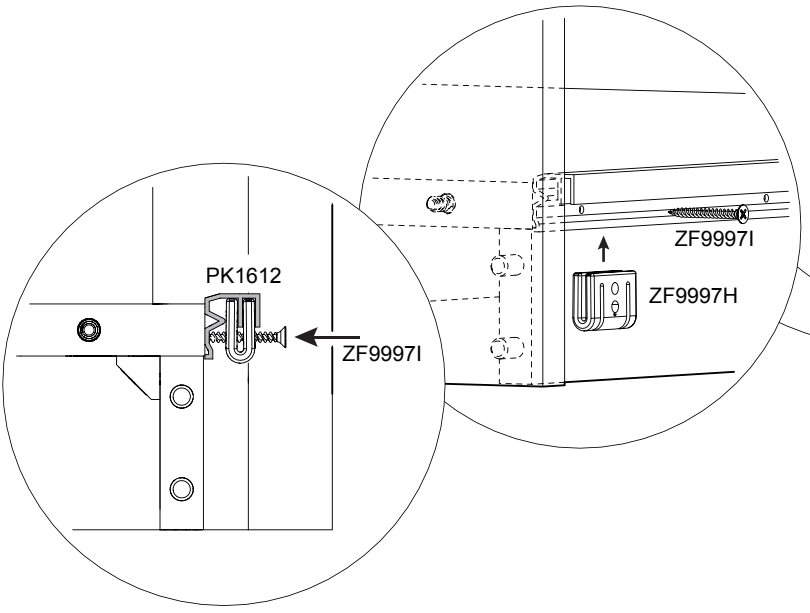
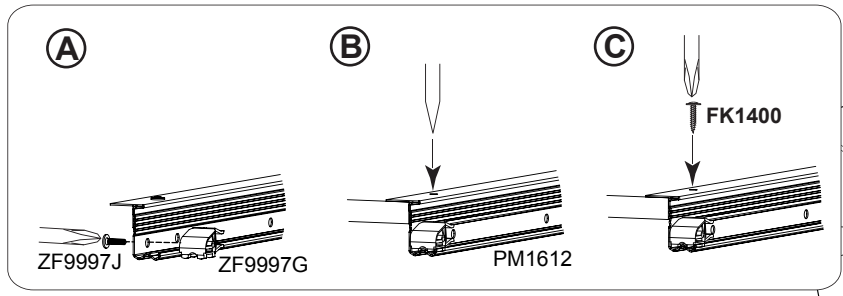
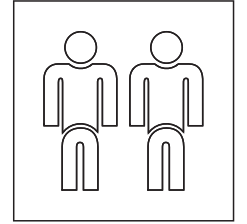
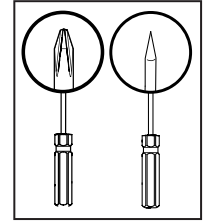
2X
ZF9997H



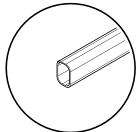
1X
PK1612



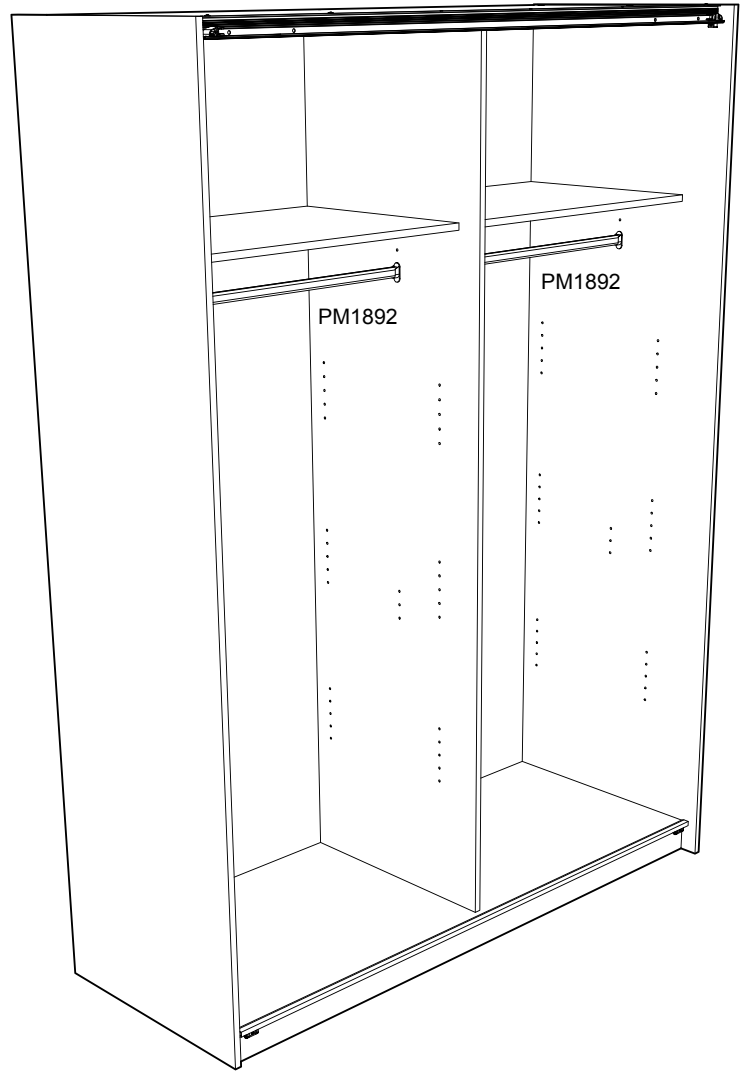
1X
PM1612



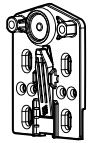
15



2X
PM1892



20



2X
ZF9997B



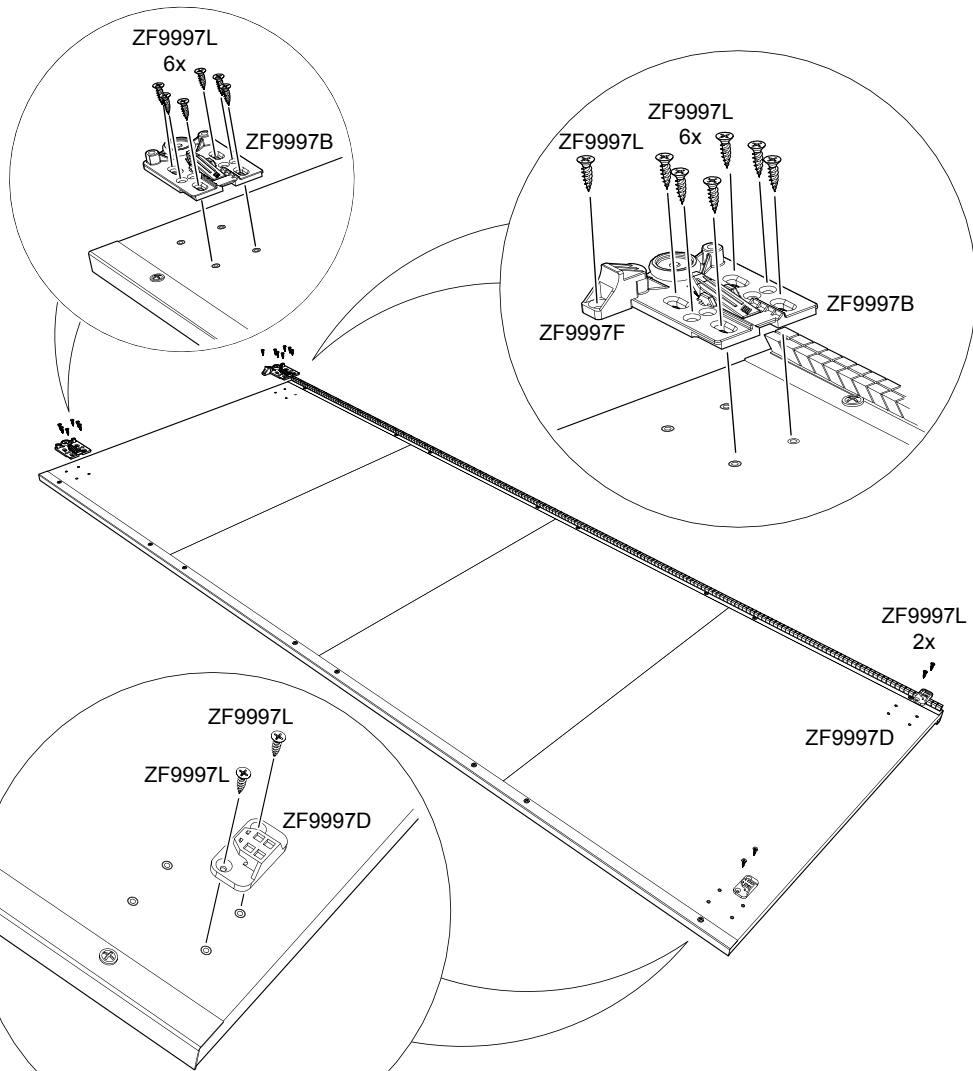
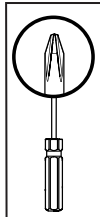
2X
ZF9997D



17X
ZF9997L



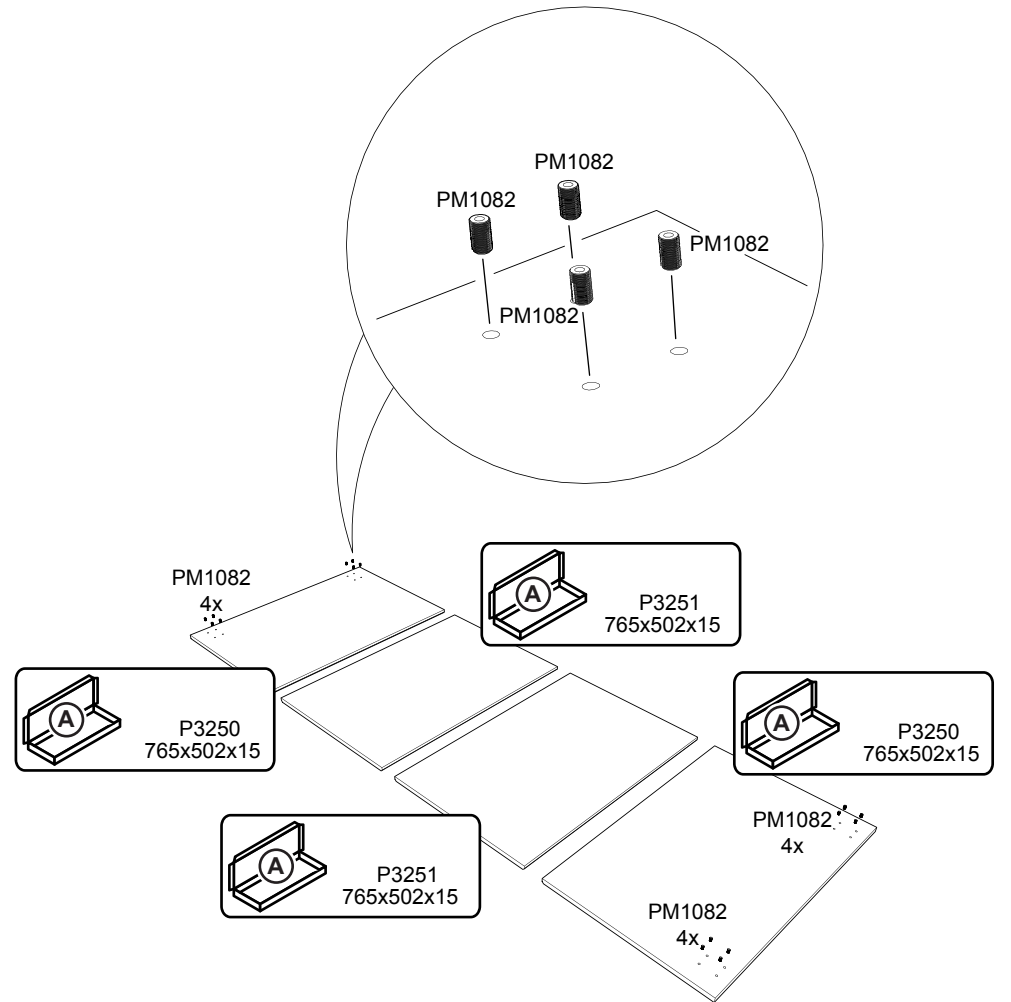
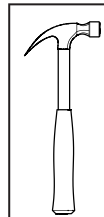
1X
ZF9997F



21



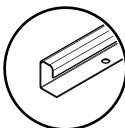
16X
PM1082



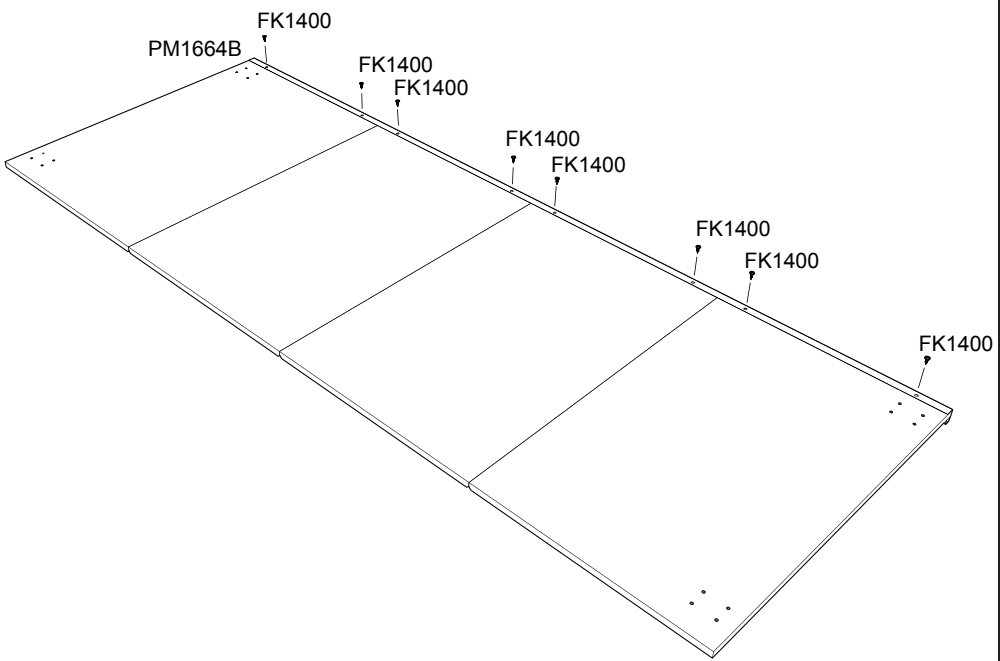
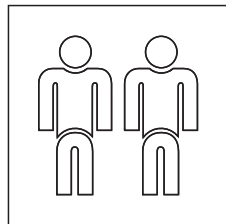
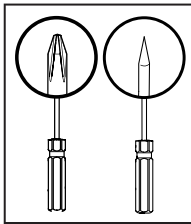
22



8X
FK1400



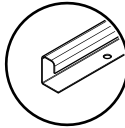
1X
PM1664B



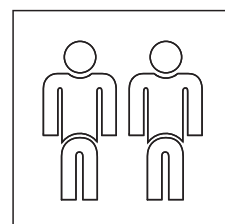
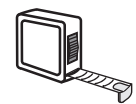
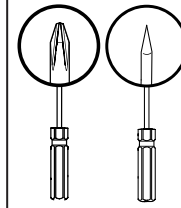
23



8X
FK1400

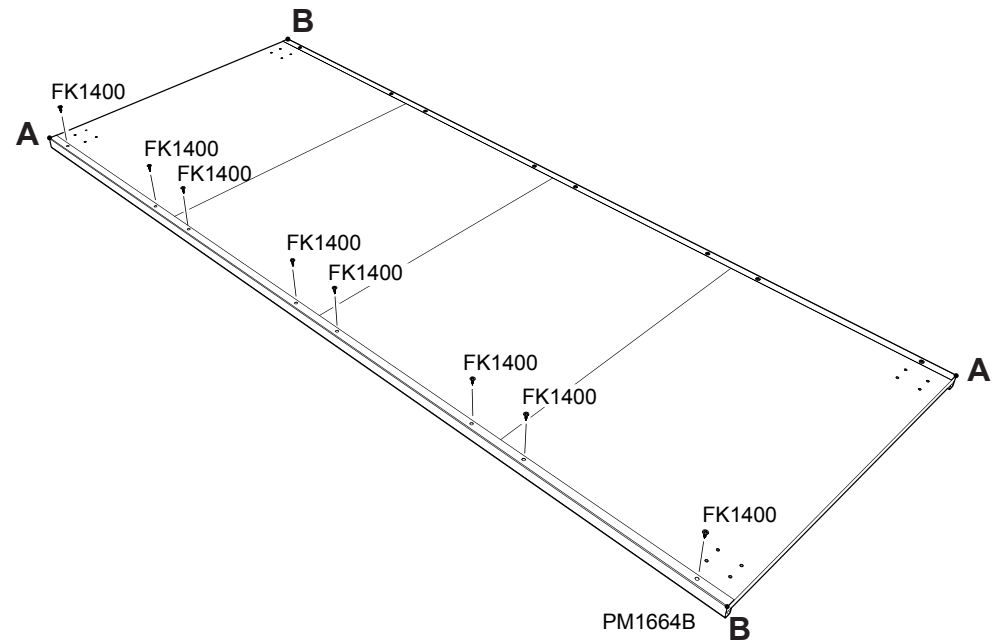


1X
PM1664B

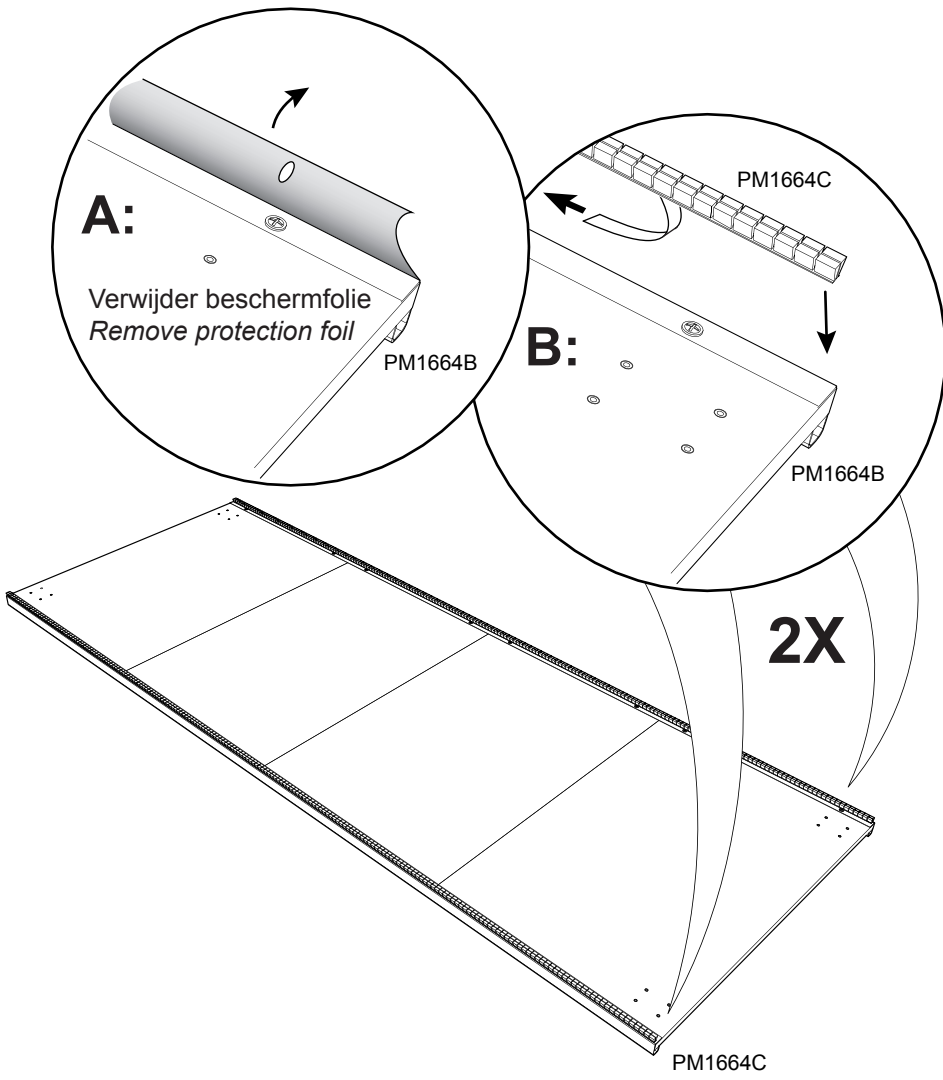
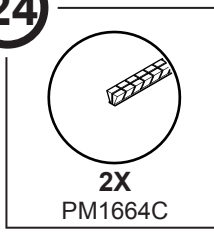


! CHECK !

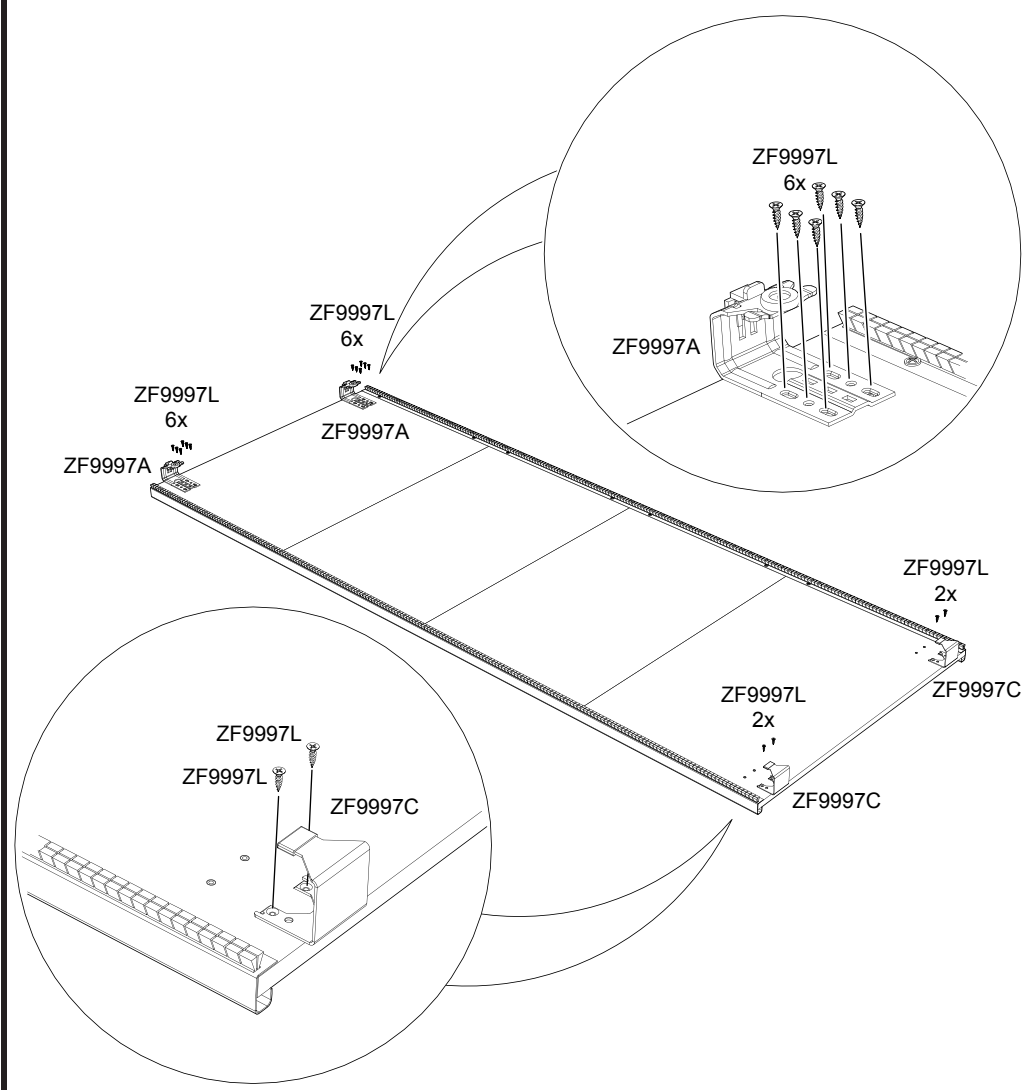
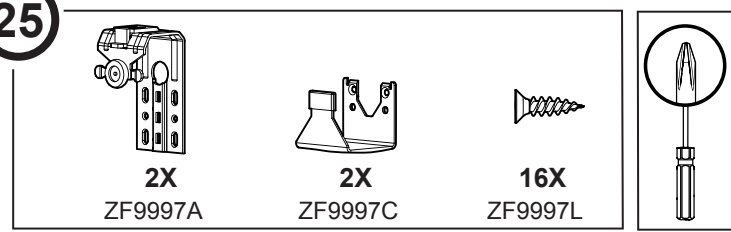
Length / Length:
A-A = B-B



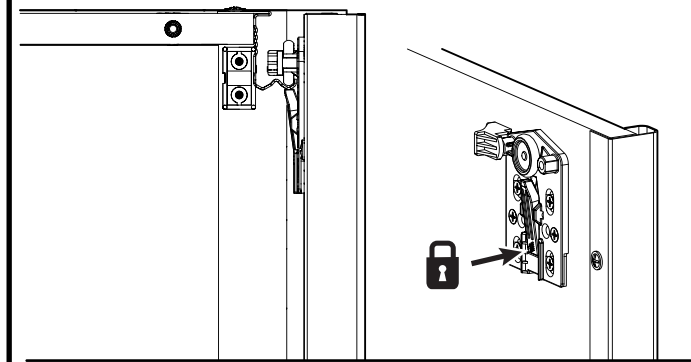
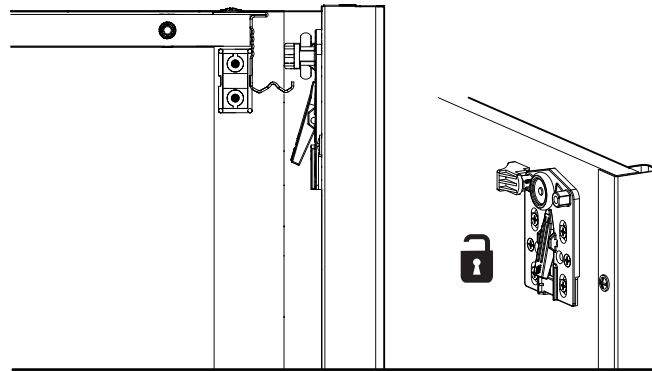
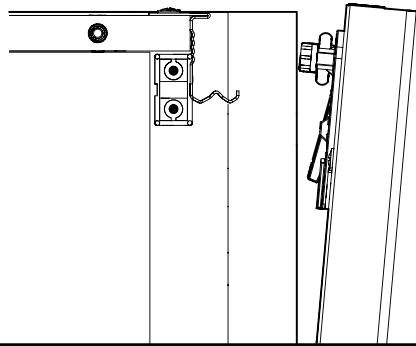
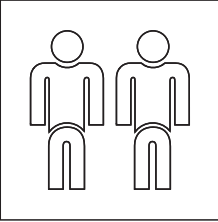
24



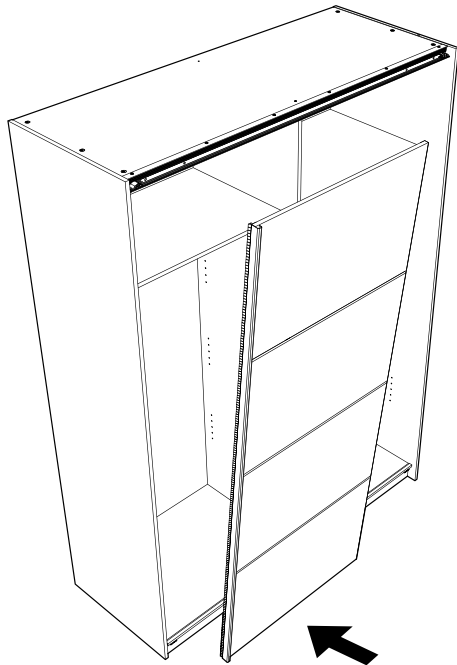
25



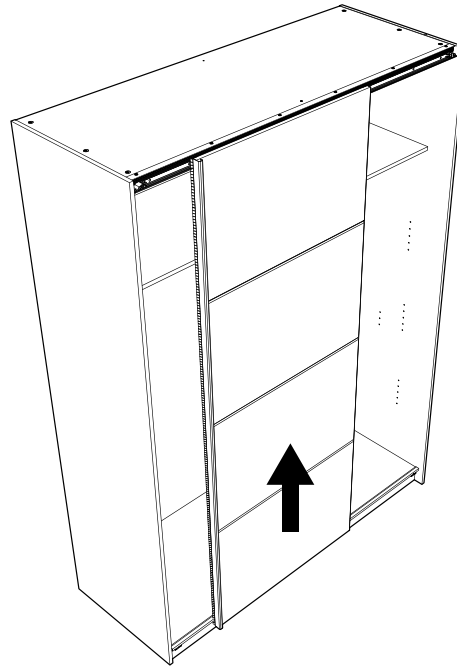
26



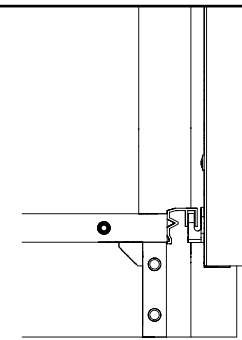
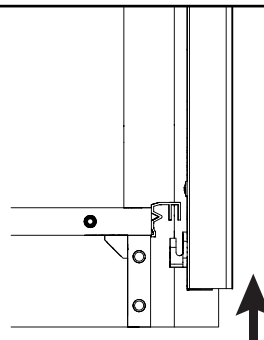
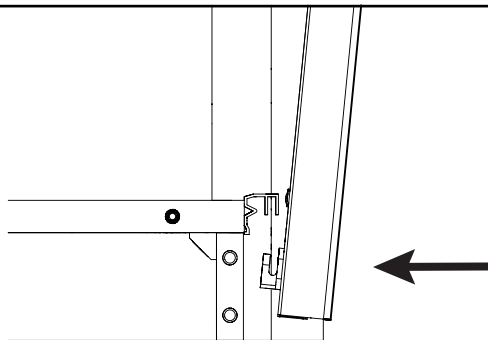
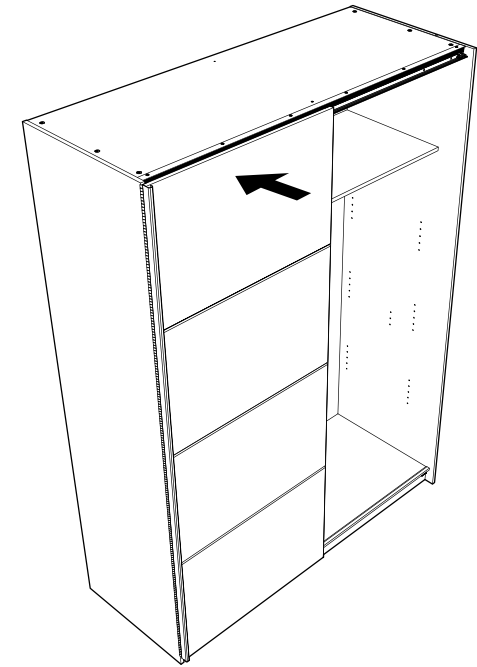
A:



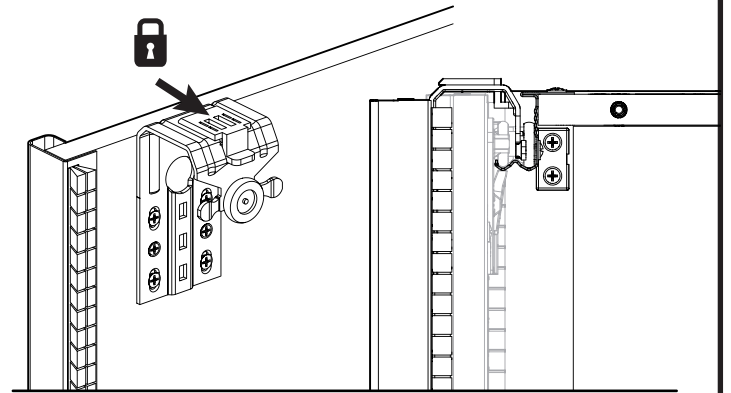
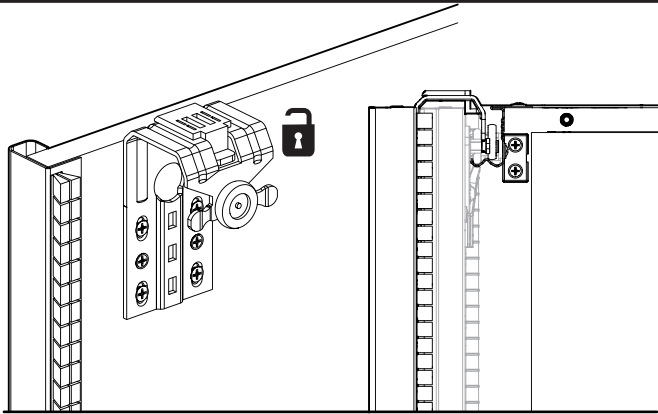
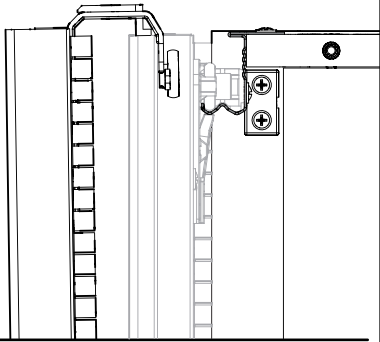
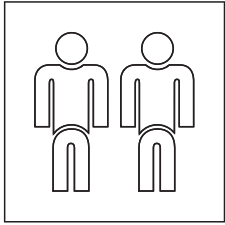
B:



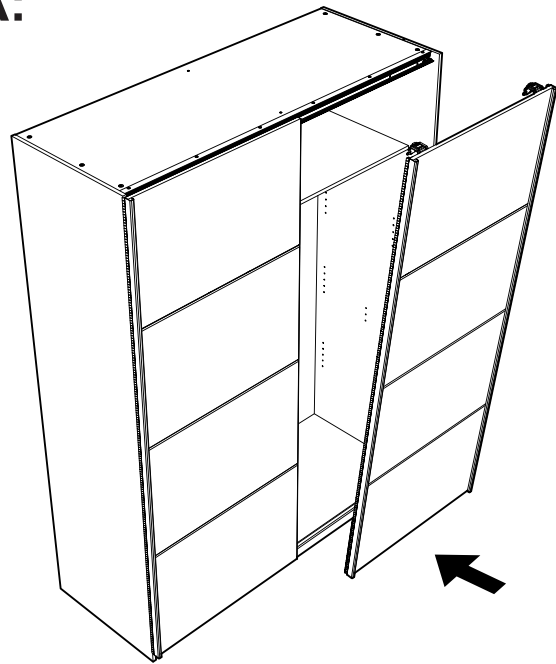
C:



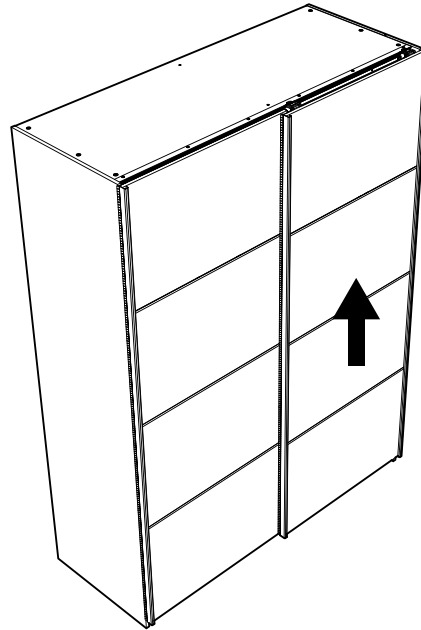
27



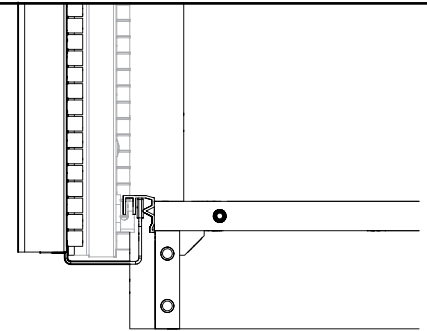
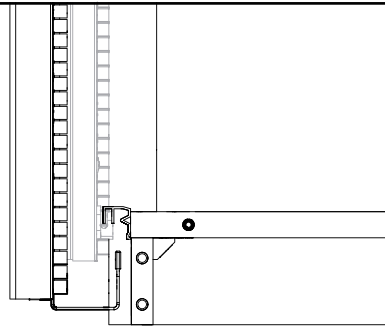
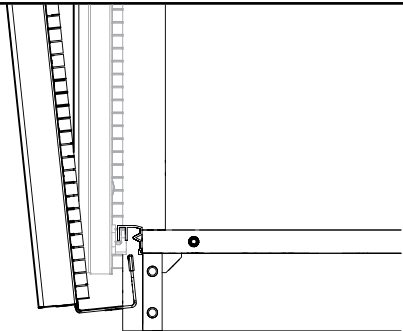
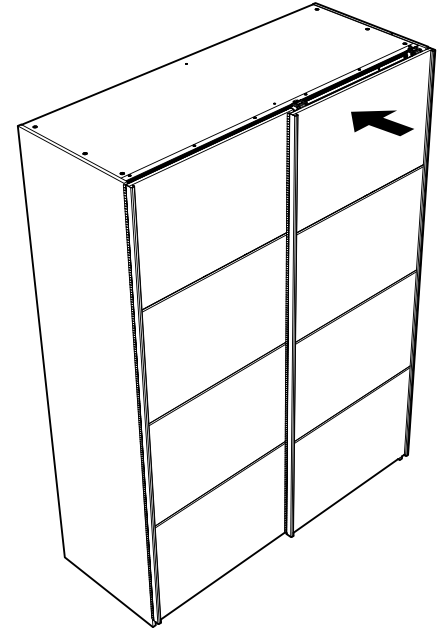
A:



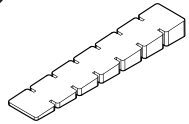
B:



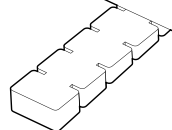
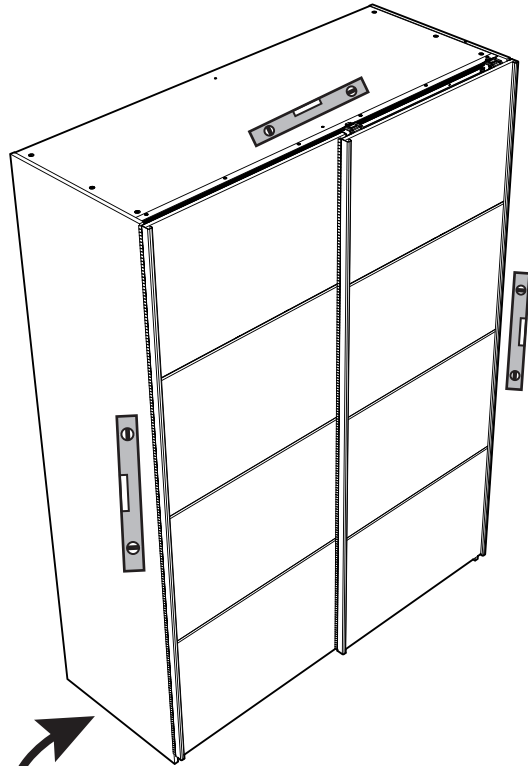
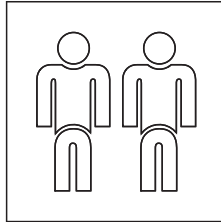
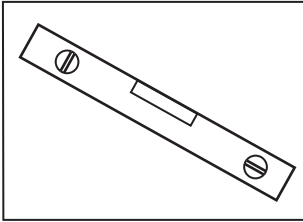
C:



28



2X
FK1234



FK1234

“SNAP!”

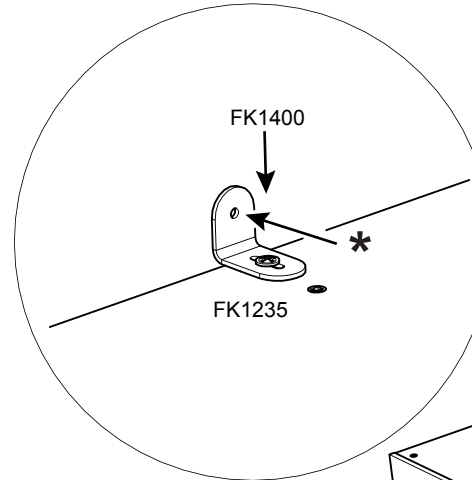
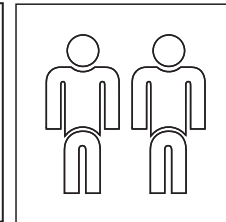
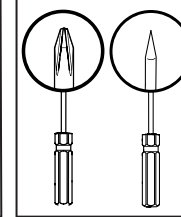
29



1X
FK1235



1X
FK1400



FK1400

FK1235

* Bevestigingsmateriaal is niet bijgeleverd, daar dit afhankelijk is van het soort muur.

* Fixings are not supplied as they will need to suit the wall type.

* Le matériel de fixation n'est pas inclus, celui-ci variant en fonction de la sorte de mur.

