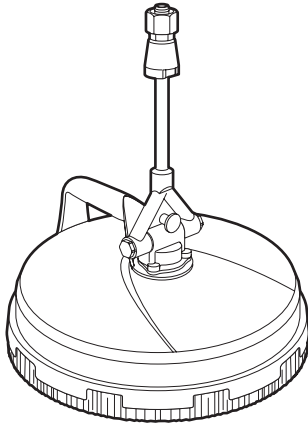


SURFACE CLEANER

Instructions for Use and Safety

Surface cleaner is intended for cleaning dirty tiles, stone, concrete floors and walls. Surface cleaner is used in combination with Kärcher high pressure cleaner.



Caution!

Improper operation can injure the user or damage the device. Read the safety instructions first!

SAFETY INSTRUCTIONS



Safety for user

- Never point water jets towards people, animals or electrical appliances!
- Keep children and pets out of reach of the machine.
- Follow the instructions for high pressure cleaner

Check before use

- Whether high pressure cleaner is properly attached and connecting nuts are tightened.
- Device visually on defects.

Contact the rental company should you encounter any problems with the device!

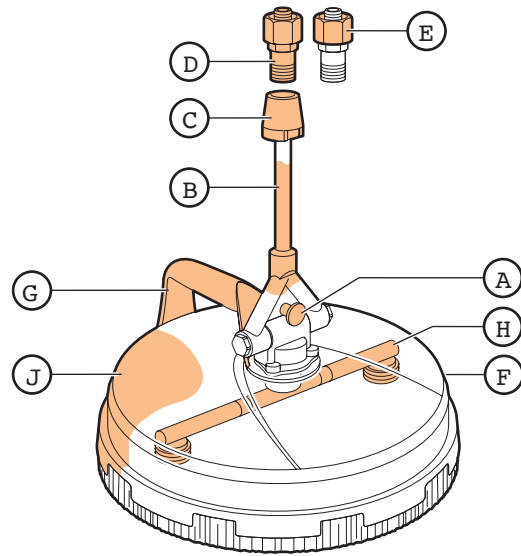
Safety during use

- Do not remove the device from the floor or wall while the high pressure cleaner is switched on.
- Do not place a hand or object under the device during cleaning.

Safety after use

- Be aware that the rotational arm (H) will continue to turn for some time after the high pressure cleaner has been switched off.
- Remove the remaining water from the floor afterwards.

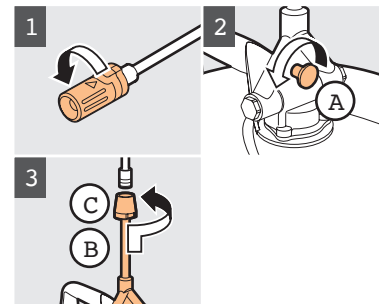
1. OPERATING FUNCTIONS



- A Locking bolt
B Connection pipe
C Nylon swivel
D Adapter
E Nut

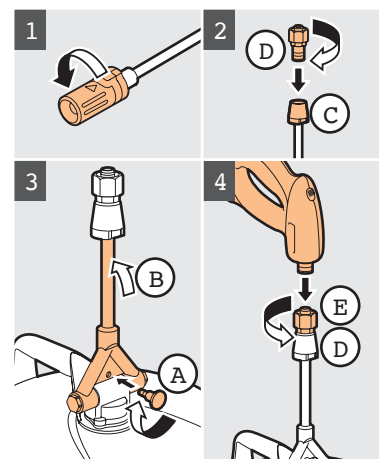
- F Surface cleaner
G Handle
H Rotating arm
J Cover

2. PREPARATION FOR USE



Floor cleaning

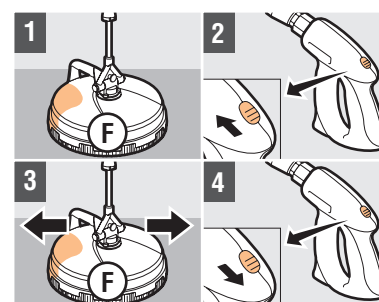
- 1 Remove spray head from spray gun
- 2 Remove A
- 3 Connect spray gun to B with C
Caution! Firmly tighten C, use 2x spanner 24!



Wall cleaning

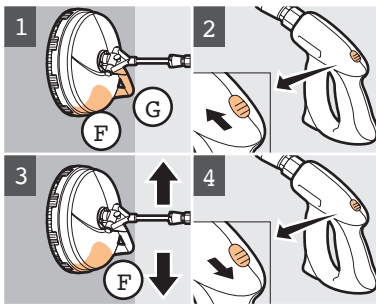
- 1 Remove spray lance from spray gun
- 2 Screw D firmly to C
Caution! Use wrench 22 and 24!
- 3 Turn B in locking position and tighten A
- 4 Screw the spray gun of the high pressure cleaner to D with E
Caution! Use wrench 27!

3. OPERATING FLOOR CLEANER



Floor cleaning

- 1 Place F with spray lance on floor
- 2 Switch on the high pressure cleaner
- 3 Move F over floor (with water pressure this goes easily)
- 4 Switch off the high pressure cleaner when the floor is clean
Caution! Do not lift F from the surface while the high pressure cleaner is in operation!



Wall cleaning

- 1 Hold **G** by hand and place **F** against wall, hold hand gun with other hand
 - 2 Switch on the high pressure cleaner
 - 3 Move **F** over wall
 - 4 Switch off the high pressure cleaner when the wall is clean
- Caution!** Do not remove **F** from the wall while the high pressure cleaner still operating!

4. AFTER USE

After use

- 1 Unplug the high pressure cleaner from the mains
- 2 Clean device

Caution! Rotational arm **H** continues to rotate even after the high pressure cleaner has been switched off!

After floor cleaning

- 1 Remove the spray gun from the connection tube **B** by unscrewing the nylon swivel **C**
Caution! Use wrench 24!
- 2 Screw spray head of high pressure cleaner back on spray lance
- 3 Turn the connection tube **B** in locking position and tighten locking bolt **A**

After wall cleaning

- 1 Remove the spray gun by unscrewing nut **E**
Caution! Use wrench 27!
- 2 Screw spray gun of high pressure cleaner to spray gun
- 3 Unscrew adapter **D** from nylon swivel **C**
Caution! Use wrench 22 and 24!