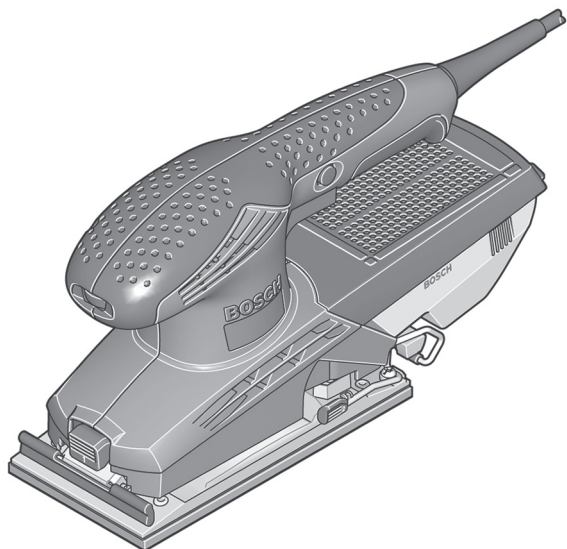


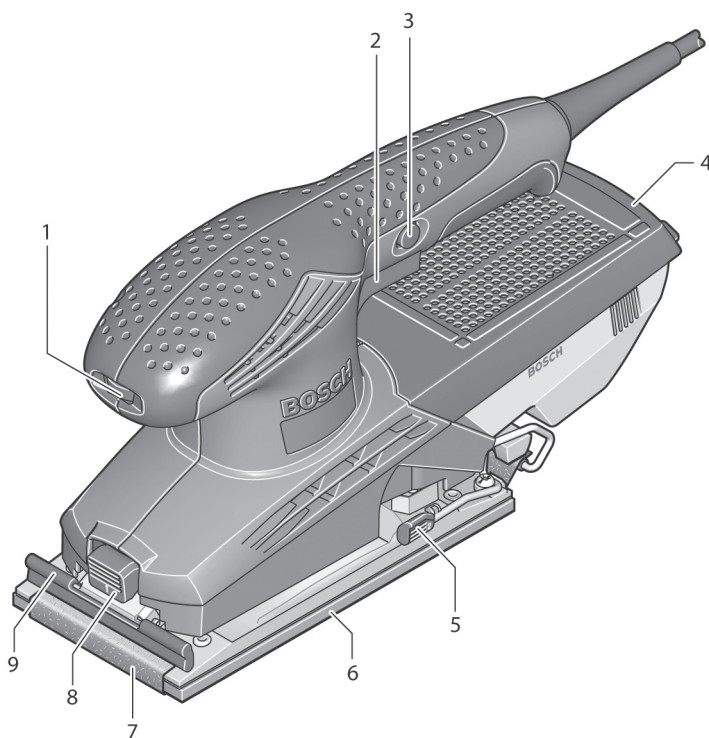
## ORBITAL SANDER

### Intended use

The machine is intended for dry sanding of wood, plastic, plaster and painted surfaces.



## 1. ILLUSTRATED COMPONENTS



## SAFETY INSTRUCTIONS



- Use the power tool only for dry sanding. Water entering the power tool increases the risk of electric shock.
- Caution, fire hazard! Avoid overheating of the material being sanded and of the sander. Always empty the saw dust collecting bag when pausing from work. Sawdust in dust bag, micro filter, paper dust bag (filter bag or filter of the vacuum cleaner) can ignite under unfavourable conditions, such as sparks when sanding metals. Increased hazards exists when the saw dust is mixed with residues of lacquer, polyurethane or other chemicals and the saw dust is hot after extensive work.
- Do not operate the power tool with a damaged cable. Do not touch the damaged cable and disconnect the plug from the mains if the cable is damaged during operation. Damaged cables increase the risk of electric shock.

**Failure to follow the warnings and regulations may result in an electric shock, fire or serious injury.**

- |                                           |                                         |
|-------------------------------------------|-----------------------------------------|
| 1 Wheel pre-selection sanding frequency   | 8 Unlock button for front clamp bracket |
| 2 On-off switch                           | 9 Front clamp bracket                   |
| 3 Lock button for on / off switch         | 10 Perforation tool *                   |
| 4 Dust box complete (micro filter system) | 11 Screws for sanding plate             |
| 5 Clamp bracket                           | 12 Extraction opening                   |
| 6 Sanding plate                           | 13 Filter element (microfilter system)  |
| 7 Sanding sheet                           | 14 Vacuum hose*                         |

## 2. ASSEMBLY

- Before starting work on the power tool always remove the plug from the mains.

### Self extraction with dust box (see G1-G4 images)

Place the dust box **4** on the ejector opening **12** until it snaps into place. To empty the dust box **4** pull it downward to loosen. Before opening the dust box **4** tap it on a hard surface, as shown in the illustration, to loosen the saw dust from the filter element. Hold the dust box **4** by the grip recess, flip the filter element **13** upwards and empty the dust box. Clean the filter element slats **13** with a soft brush.

### External extraction (see figure H)

Insert a vacuum hose **14** to the extractor opening **12**. Connect the vacuum hose **14** to a vacuum cleaner.

### Replacing sanding sheet

Remove dirt and dust from the sander plate **6**, for example, with a brush before applying a new sanding sheet. To achieve optimum dust extraction, make sure that the perforations in the sanding sheet match the boreholes of the sanding plate.

### Sanding sheets with Velcro backing (see figure A)

The sanding plate **6** is fitted with Velcro backing for quick and easy attaching of sanding sheets.

Tap the sanding plate **6** before attaching the sanding sheet **7** to free the Velcro backing of any saw dust thus ensuring optimum adhesion.

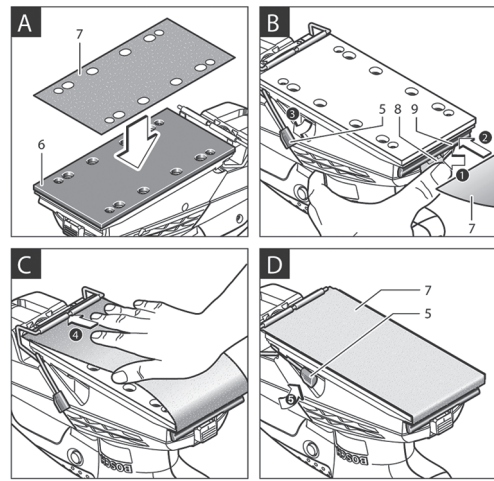
Attach the sanding sheet **7** on one edge of the sanding plate **6** then lay the sanding sheet onto the sanding plate and press firmly.

To remove the sanding sheet **7** grab a tip and pull it loose from the sanding plate **6**.

### Sanding sheets without Velcro backing (see pictures B-D)

Press the release button **8** and hold it down.

- Guide the sanding sheet **7** to the stop below the open front clamp bracket **9** and release the unlock button **8**. Make sure the sanding sheet is clamped central.
- Push the clamp bracket **5** inwards and turn it to the stop.
- Lay the sanding sheet **7** tight around the sanding plate. Guide the other end of the sanding sheet **7** between the rear clamping bracket and the red roller on the clamp bracket **5**.
- Hold the sanding sheet tight and push the clamping bracket **5** in the direction of the sanding plate to lock the sanding sheet.



## 3. OPERATING

### Switching on and off

To switch on the power tool, push the on / off switch **2** and hold it down.

To **lock down** the pushed on / off switch **2**, push the lock button **3**.

To **switch off** the power tool release the on / off switch **2** or when its locked with the lock-on button **3** briefly press the on / off switch **2** and then release it.

### Pre-selecting sanding frequency

With the thumb-wheel select the sanding frequency **1** you can set the sanding frequency even while the machine is running.

The sanding frequency depends on the material and working conditions and can be determined by practical tryouts.

## 4. TIPS FOR OPERATING

- **Wait until the power tool has stopped rotating before you lay it down.**

The abrasive capacity is mainly determined by the choice of the sanding sheet and the preset sanding frequency.

## 5. MAINTENANCE AND CLEANING

- **Before starting work on the power tool always remove the plug from the mains.**
- **Always keep the power tool and the ventilation slots clean to work efficiently and safe.**

**Contact your rental company should you encounter problems with the tool!**

**The product must be returned clean and undamaged.**

