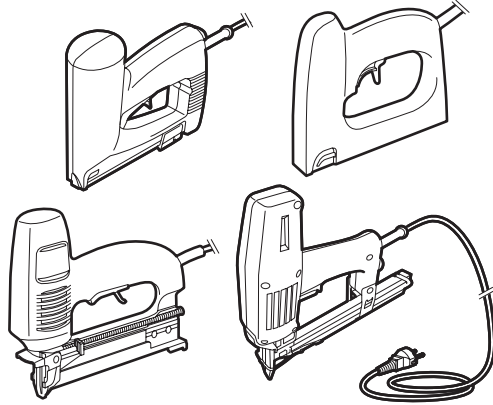


TACKER 14 - 30 MM

Instructions for Use and Safety

The 30 mm stapler is intended for attachment of panels, plasterboard, ceiling tiles, glass slats, etc. The device handles both staples and nails.

The 14 mm tacker is intended for mounting wall coverings and furniture upholstery. Depending on the hardness of the wood and the length of the staples or nails, it is possible to pre-set the force and impact with NOVUS tackers.



Caution!

Improper handling can injure the user or damage the device. Read the safety instructions first!

SAFETY INSTRUCTIONS



Safety for user

- Always use earthed electrical outlets.
- Keep children and pets out of reach of the machine.
- Persons under the age of 18 may not work with the device.

Check before use

- The power supply voltage must match the voltage indicated on the tacker.
- Function of sliding / locking lever and trigger.
- Presence of staples or nails in the mouth piece. Remove them if necessary.
- Surface for knots and / or nails. Remove them if necessary.
- Device visually for defects.
- Contact your rental company should you encounter problems with the machine!

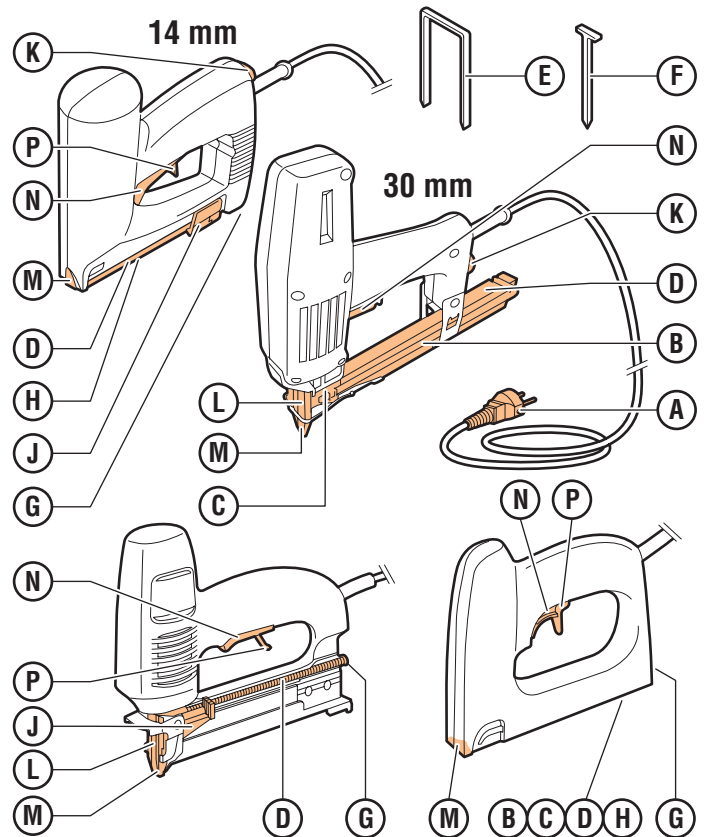
Safety during use

- **Never** use the device if plug, cord or extension cable is damaged.
- **Never** use the device in humid or dusty environment, near water, hazardous substances or gases.
- **Never** lift the device by the power cord.
- **Never** use the device without material to tack or with an empty loader.
- **Never** aim the device on yourself, another person or on animals.
- **Never** shoot staples or nails into the air.
- Protect device from moisture.
- Turn device off immediately if it jams.
- Let the appliance cool after use.
- Always disconnect the plug from the mains when loading.
- Handle the plug and power cord with care.
- Lead power cord from the back of the device.
- Using an extension cable. Avoid power loss, use at minimum a 2.5 mm thick cable and keep the cable as short as possible.
- Unroll the cable all the way out.

Safety after operating

- After use remove the electric plug from the mains.

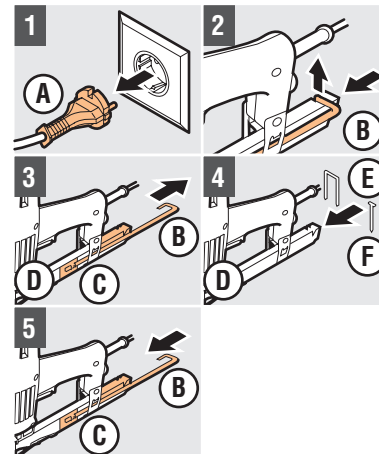
1. OPERATING FUNCTIONS



- A Plug / power cord
- B Sliding slot
- C Slider
- D Magazine
- E Staples
- F Nails
- G Lock latch

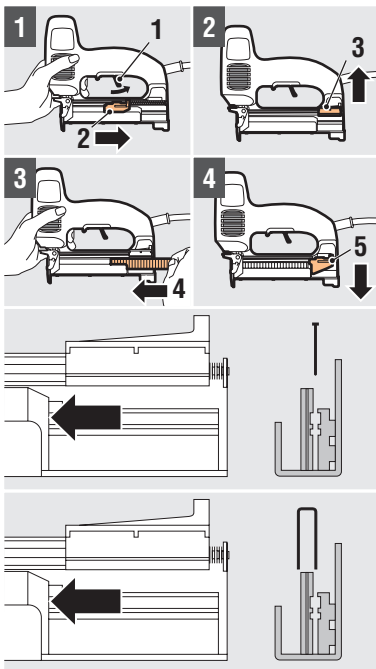
- H End plate
- J Impact plate
- K Setting knob
- L Pusher cover
- M Nozzle
- N Operating switch
- P Red lock switch

2. PREPARATION FOR OPERATING



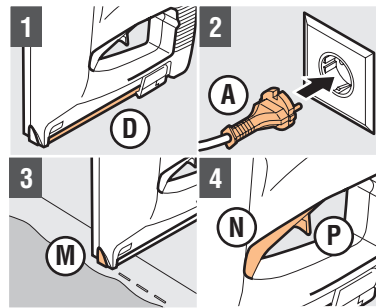
Loading stapler 30 mm NOVUS

- 1 Do not plug A in the mains
 - 2 Press B and push it upwards
 - 3 Draw B with C out of D
 - 4 Slide E/F in D
- Caution!** Use E/F according to the instructions!
- Caution!** E/F pointing down!
- 5 Place C and lock with B



Loading stapler 30 mm RAPID

- 1 Do not plug **A** in the mains
- 2 Slide **J** all the way back and turn **J** upwards
- 3 Slide **E/F** completely in **D**
Caution! Place **E/F** according to instructions!
Caution! Use **E/F** according to the instructions!
- 4 Move **J** back to operating position

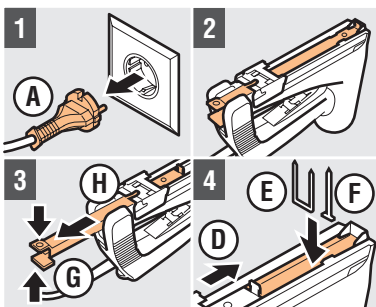


Stapler 14 mm

- 1 Verify that **D** is loaded
- 2 Plug **A** into the mains
- 3 Press **M** flush against material
- 4 Press **N** and **P** simultaneously in order to staple
Caution! Adjust impact strength if **E/F** do not go in deeply enough! (NOVUS devices only)

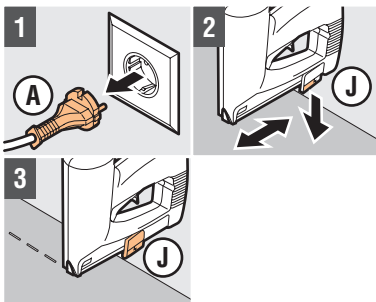
4. AFTER USE

- 1 Unplug **A** from the mains
- 2 Clean both magazine **D** and the housing of the machine



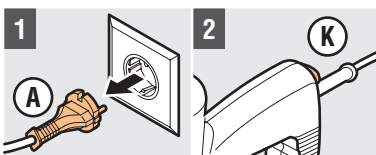
Loading 14 mm stapler NOVUS / RAPID

- 1 Do not plug **A** into the mains
- 2 Turn device upside down
- 3 Press **G** and pull **H** all the way back
- 4 Place **E/F** and close **D**
Caution! **G** is locked when **D** is closed!



Adjusting impact of 14 mm NOVUS

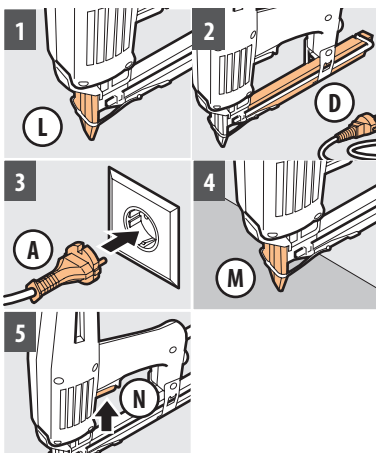
- 1 Do not plug **A** into the mains
- 2 Pull **J** and slide **J** in position
- 3 Use **J** for stapling at even spacing



Set impact strength (30 - 14 mm NOVUS)

- 1 Do not plug **A** into the mains
- 2 Turn **K** to adjust impact strength.
Caution! Impact strength is stepless adjustable!

3. OPERATING TACKER



Stapler 30 mm

- 1 Check function lock for **L**
- 2 Verify that **D** is loaded
- 3 Insert **A** into the mains
- 4 Press **M** flush against material
- 5 Press **N** to start stapling
Caution! Device determines the number of impacts needed for **E/F** to deeply enter the material!