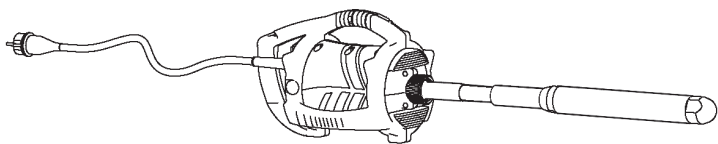


## CONCRETE IMMERSION VIBRATOR

### Operating Instructions and Safety

Instructions Vibrating needles for quick and accurate compacting of concrete floors, foundations, lattices, beams, etc. Always wear hearing protection, safety goggles and protective clothing. Improper operating can cause damage to the machine, objects and severe bodily injury.



## SAFETY INSTRUCTIONS



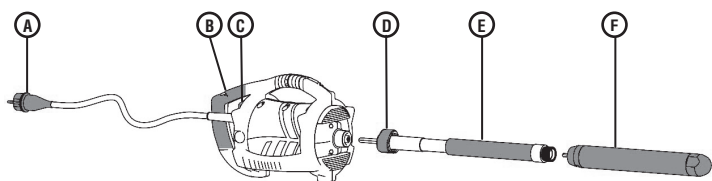
- Make sure you are standing firm.
- Always use earthed electrical outlets.
- Use the machine only for the specific purposes for which it was designed.
- Keep out of reach of children and pets.
- Persons under 18 years of age may not work with the machine.
- Provide adequate ventilation, do not cover the housing!
- Avoid any contact between the engine and concrete or other liquids.

### Caution!

- In order to operate this machine you must be at least 18 years old.
- Follow the instructions on the stickers on the machine.
- Specific safety instructions for this machine can be found in this instruction leaflet.
- Execute instructions as shown.

Practice with the controls before you actually start working.

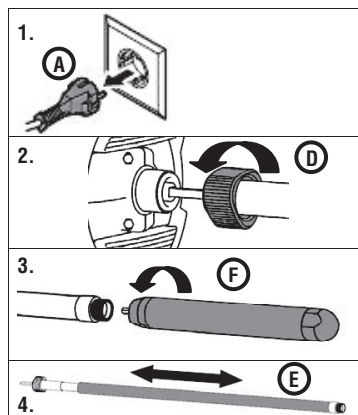
## 1. ILLUSTRATED COMPONENTS



- A** Plug/ power cord  
**B** Operating handle  
**C** On-off switch

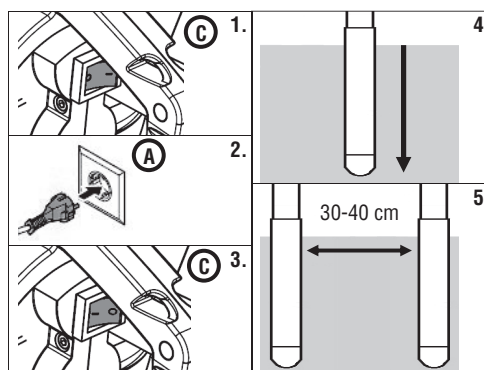
- D** Mounting screw  
**E** Flexible Hose  
**F** Vibrator needle

## 2. PREPARATION FOR USE



1. Do not plug A into power socket
2. Make sure has been tightened.  
**Caution!** Rotate Left
3. Make sure F has been tightened.  
**Caution!** Rotate left
4. Remove twists in flexible axis.

## 3. OPERATING CONCRETE VIBRATOR NEEDLE



1. Make sure C is off
2. Insert A into grounded mains
3. Switch machine on with C  
**Caution!** Let vibrator needle reach operating revs unloading
4. Insert vibrator needle vertically into concrete.  
**Caution!** Vibrate between 5 and 15 seconds until concrete shines and no more air bubbles escape.
5. Insert vibrating needle every 30-40 cm in concrete  
**Caution!**
  - Do not move the vibrator needle horizontally into concrete
  - Do not allow vibration needle to operate outside of concrete for longer than 5 minutes.
  - Do not restrict vibrator needle movements during use.
  - Do not stop vibrator needle when inserted in concrete.

## 4. AFTER USE

1. Remove plug from the mains
2. Unplug extension cable
3. Clean the machine