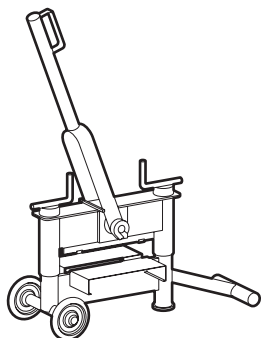


## BLOCK SPLITTER/TILE CUTTER

### Intended use

The block splitter/tile cutter is suitable for accurate splitting of paving blocks, concrete tiles or curb stones, with a cutting height of 1 cm to 12 cm maximum. The maximum cut width is 33 cm. The splitter is not suitable for paving stones.



### Caution!

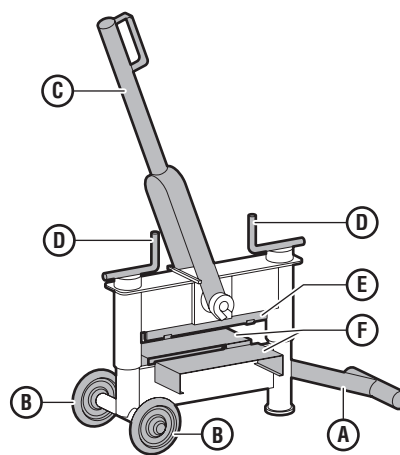
Improper handling can injure the user or damage the device. Read the safety instructions first!

## SAFETY INSTRUCTIONS



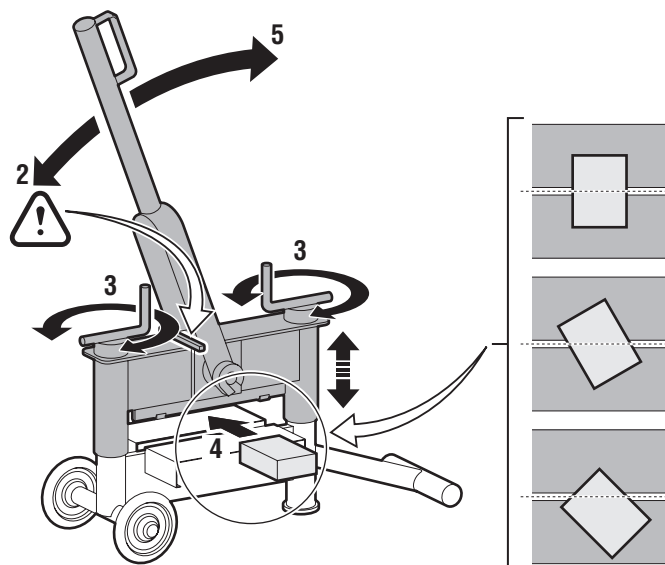
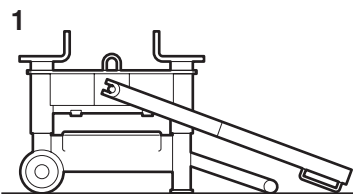
- Observe the warnings and indications on the splitter. It is prohibited to remove these caution indicators.
- Move the splitter by using the transport arm and wheels. Caution! The splitter weighs 41 kg. If necessary, the splitter should be lifted by at least two persons.
- Always place the splitter on a flat surface and ensure that the splitter is positioned stable.
- Keep children and pets out of reach of the machine.
- Never leave the splitter unattended.

## 1. OPERATING FUNCTIONS



- |                    |                  |
|--------------------|------------------|
| A Transport arm    | D Height setting |
| B Transport wheels | E Blade          |
| C Splitter handle  | F Splitter table |

## 2. OPERATING



1. Place the splitter on a flat, stable surface.
2. Move the splitter handle upwards.
3. Use the two levers to adjust the blade to the correct height.
  - Caution!** Block or tile fits easily between knife and cutting table (approx. 5 mm clearance between knife and stone).
  - Caution!** Set the left and right height settings at the same height.
4. Place the block or tile on the splitter table
  - At right angles to the splitter blade to cut the block or tile straight;
  - or at an angle if needed to split across.
5. Push the splitter handle down to cut block or tile.
  - Note!** During work, keep the splitter table and direct surroundings of the splitter clean and uncluttered.

## 3. AFTER USE

1. Clear the work area
2. Clean the splitter with a brush.