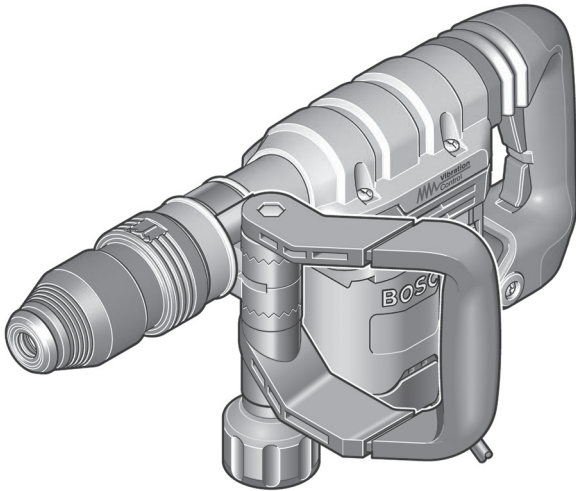


## DEMOLITION HAMMER 6-11 KG

### Use according to design

The machine is intended for chiselling work in concrete, brick, stone and asphalt and with the corresponding accessories also for driving in and compacting.



## SAFETY INSTRUCTIONS



### Safety for user

- Use outdoors:
  - Always connect the machine to the power supply via an earthed circuit breaker (max. 30 mA)
- Keep out of reach of children and pets.

### Check before use

- Position of the on / off switch This must be in OFF position.
- The demolition area for electrical, gas or water pipelines. If necessary use a wall scanner.

**Caution!** Damage to pipes and cables can lead to serious personal or material damage!

- Machine visually for defects.
- Damage of plug and power cord.

**Contact your rental company should you encounter any problems with the machine!**

### Safety during use

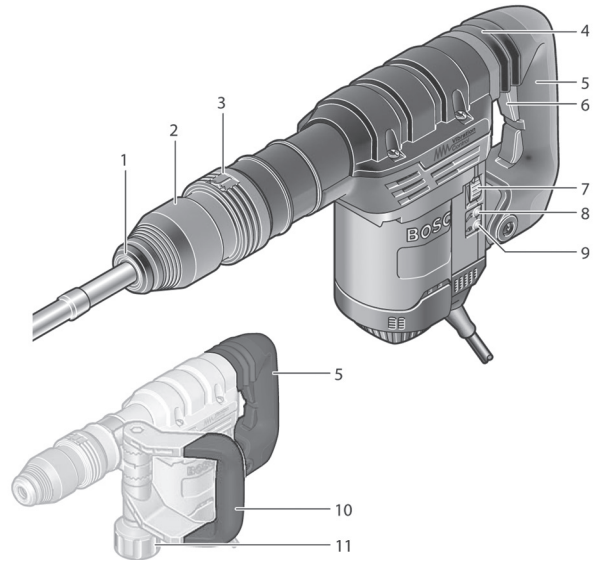
- Always hold the machine with two hands gripping the handles.
- Make sure you are standing sturdy.
- **Never** lift the machine using the power cord.
- Avoid contact with power cord:
  - lead the power cord from the back of the machine,
  - Handle power cord and power cord carefully,
- Never use a machine with a damaged plug and / or power cord.
- Using an extension cable: Prevent voltage loss, use a cable with a cross section of 2.5 mm and keep the cable as short as possible. (max. 25 m). Unroll the cable all the way.
- Do not put the machine down until it is stationary.

### Safety after use

- Disconnect the power plug after use.
- Do not touch the chisel immediately after use. It can still be very hot.

## 1. OPERATING FUNCTIONS

The components are numbered as shown in the image of the power tool on the image page.



- |                                       |                                  |
|---------------------------------------|----------------------------------|
| 1 Dust protection cap                 | 7 Pre-selection thumbwheel       |
| 2 Locking sleeve                      | 8 Service indicator              |
| 3 Chisel adjustment Ring (Vario-Lock) | 9 Standby indicator              |
| 4 Vibration damper                    | 10 Extra handle (insulated grip) |
| 5 Handle (Insulated grip)             | 11 Knurled nut                   |
| 6 On-off switch                       |                                  |

**Not all accessories pictured and described are delivered as standard.**

## 2. INSTALLATION

- **Before starting work with the power tool always remove the plug from the mains.**

### Extra handle (see figure A)

- **Only use the power tool with the extra handle 10.**

You can turn the extra handle 10 to your liking for a safe posture while working without getting fatigue.

- Loosen the knurled nut 11, turn the extra handle 10 around the shaft of the machine to the desired position and tighten the knurled nut 11 again.
  - You can mount the extra handle 10 the other way round. Loosen the knurled nut 11 completely and then pull the hexagon bolt upwards and outwards. Pull the extra handle 10 sideways and rotate the remaining clamping element 180°.
- Fit the extra handle 10 in reverse order.

### Placing insertion tool (see figure B)

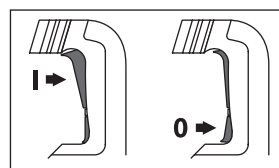
- Clean the insert tool shaft and grease lightly.
- Rotate the insert tool into the tool holder until it locks automatically.
- Check it is locked by pulling the insertion tool.

### Removing insert tool (see Figure C)

- Push the locking sleeve 2 back and remove the insertion tool.

## 3. OPERATING

### Switching on and off



- Switching the power tool **on**, press the on/off switch 5 up (I) until it locks.
- Switching **off**, press and release the power switch 5 under (0). At low temperatures, the power tool only achieves full hammer or impact capacity after a certain period of time.

### **Setting speed or number of strokes**

The electronic control allows you to step-less adjust the speed or number of strokes for work adapted to the material.

The constant-electronic control keeps the preset speed or impact rate between unloaded and load virtually constant. Select the speed with the thumb-wheel 7 matching the material.

When the plug is plugged into the wall outlet or after power failure, the electronic control automatically sets the highest speed or highest number of strokes. This prevents that the setting of the adjusting wheel 7 is too low for optimal capacity.

The data in the following table are recommended values.

### **Switching chiselling mode (Vario-Lock)**

You can lock the tool in 12 positions. This allows you to always work with the optimum setting.

- Put the tool in the tool holder.
- Push the chisel adjustment ring 3 forward and turn the chisel into the desired position with the chisel adjustment ring 3.
- Release the chisel adjustment ring 3 and rotate the chisel until it snaps into place.

## **4. MAINTENANCE AND CLEANING**

- **Always unplug the power tool from electrical outlet.**
- **Always keep the power tools and the ventilation holes clean to work efficient and safe.**
- **A damaged dust cover must be replaced immediately.**

### **Service indication 8**

When the carbon brushes are worn, the power tool will switch off automatically. This will be approx. 8 hours beforehand by lighting or blinking of the service indicator 8.

**Contact your rental company should you encounter problems with the machine!**

**The product must be returned clean and undamaged.**